

2023 Reference Guide

# **BERGSTROM**

## **HVAC ALL MAKES PARTS**

### **AND**

## **SYSTEMS REFERENCE GUIDE**

**Including:**

**eProduct Systems**

**Bus Cool Zone Systems**

**Bergstrom Aftermarket Systems**

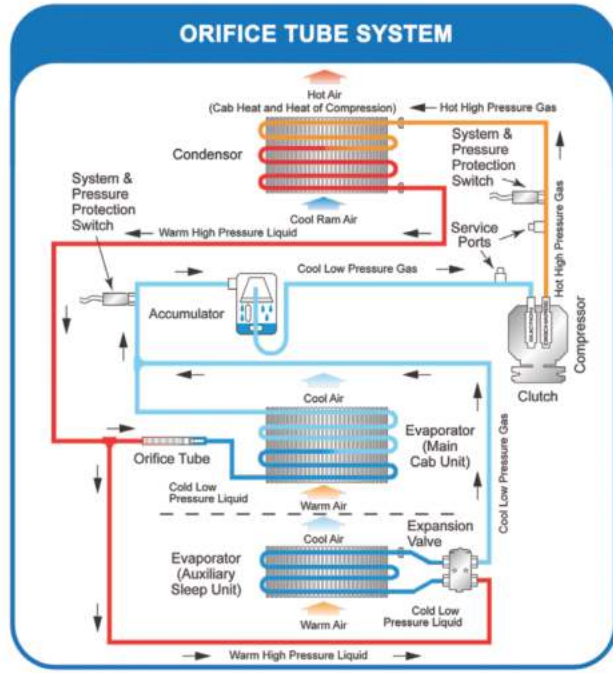
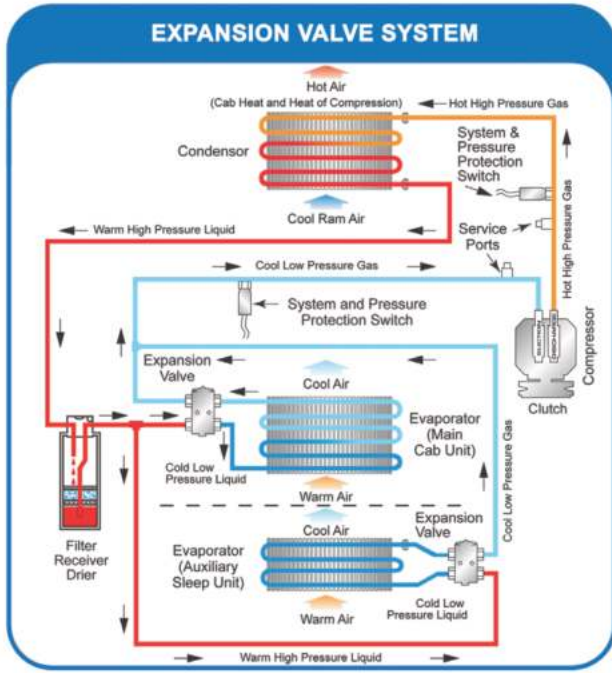
**Bergstrom Electrified Systems**

**Bergstrom Solar Energy Systems**



# **AIR CONDITIONING SYSTEMS & HEATING REPLACEMENT PARTS**





## AIR CONDITIONING IS A SYSTEM

WHEN THE SYSTEM IS OPENED OR A COMPONENT IS CHANGED, OTHER COMPONENTS ARE AFFECTED. SEE QUICK CHEAT SHEET OF THOSE COMPONENTS.

**COMPRESSOR CLUTCH - REPLACED DUE TO CLUTCH FAILURE**

- NEED: Compressor Clutch
- CHECK: Serpentine Belt
- CHECK: Belt Tensioner
- CHECK: Voltage to clutch (1.5 volts minimum)

**COMPRESSOR - REPLACED DUE TO LEAKING**

- NEED: Receiver Drier or Accumulator
- NEED: Flush
- NEED: Oil
- NEED: Hose Seals / O-Rings

● ASK: Does Customer Need Oil? If So, What Type?

**TECH TIP: WHEN A COMPONENT IS REPLACED, OIL IS REMOVED FROM THE SYSTEM AND NEEDS TO BE REPLACED. REFER TO OE SYSTEM MANUAL FOR OIL TYPE AND AMOUNTS.**

**COMPRESSOR - REPLACED DUE TO AN INTERNAL MECHANICAL FAILURE**

- NEED: Receiver Drier or Accumulator
- NEED: Flush
- NEED: Oil
- NEED: Hose Seals / O-Rings

- ASK: What Type of Condenser? (Replace If Parallel Flow Type)
- CHECK: Expansion Valve / Orifice Tube (Any Blockage?)
- ASK: What Color Orifice Tube? (If Required)
- ASK: Does Customer Need Oil? If So, What Type?

**PARALLEL**

**SERPENTINE**

**TECH TIP: PARALLEL-FLOW VS. SERPENTINE CONDENSERS**  
PARALLEL-FLOW CONDENSERS UTILIZE ROUND TUBES ON EITHER SIDE OF THE CONDENSER TO FEED REFRIGERANT TO EACH ROW OF FINS INDEPENDENTLY. THEY CANNOT BE FLUSHED EFFECTIVELY AND MUST BE REPLACED.

**CONDENSER / EVAPORATOR - REPLACED DUE TO LEAKING**

- NEED: Receiver Drier or Accumulator
- NEED: Flush
- NEED: Oil
- NEED: Hose Seals / O-Rings

- ASK: What Type of Condenser? (Replace If Parallel Flow Type)
- CHECK: Expansion Valve / Orifice Tube (Any Blockage?)
- ASK: What Color Orifice Tube? (If Required)
- ASK: Does Customer Need Oil? If So, What Type?

**EXPANSION VALVE / ORIFICE TUBE - REPLACED DUE TO BLOCKAGE**

- NEED: Receiver Drier or Accumulator
- NEED: Flush
- NEED: Oil
- NEED: Hose Seals / O-Rings

- ASK: What Color Orifice Tube? (If Required)
- ASK: Does Customer Need Oil? If So, What Type?

**HOSE - REPLACED DUE TO LEAKING**

- NEED: Receiver Drier or Accumulator
- NEED: Flush
- NEED: Oil
- NEED: Hose Seals / O-Rings

- ASK: Does Customer Need Oil? If So, What Type?

2390 Blackhawk Road | Rockford, IL 61109 | Customer Service: 800.499.6849



# Reference Guide Contents

## SECTION 1 APPLICATIONS

<b>MEDIUM &amp; HEAVY DUTY APPLICATIONS</b>	<b>1</b>
Chevrolet/GMC	2
Ford/Sterling	4
Isuzu	5
Sterling	6
Freightliner	7
International	19
Kenworth	32
Mack	48
Peterbilt	59
Volvo	81
Western Star	87

## SECTION 2 SPECIFICATIONS

The part sequence listed under each section title identifies the part number ordering per the Kysor New Part Number Legend (shown at the front of this reference guide).

<b>BLOWER MOTORS</b>	<b>97</b>
Single Shaft Motors	98
Double Shaft Motors	111
Blower Assemblies	115
Condenser Fan Assemblies	120
Booster Pumps	122
<b>BLOWER WHEELS</b>	<b>125</b>
Single Entry Wheels	126
Double Entry Blower Wheels	128
Blower Wheel Accessories	130
<b>DEFROST FANS</b>	<b>131</b>
Defrost Fans	132
Fan Blades	139
<b>CLUTCHES</b>	<b>141</b>
Single Groove Clutches	142
Double Groove Clutches	143
Multi-Groove Clutches	143
Service Tips	144
<b>COMPRESSORS</b>	<b>145</b>
Sanden to Kysor Interchange	146
Sanden Style Compressors	148
Denso Compressors	176
Seltec/Ice/Valeo Style Compressors	177
York/T/CCI Style Compressors	182
Compressor Mounting Brackets & Seal Kits	185
Pressure Relief Valves	185
Service Valves	186
Caps	189

## EXPANSION VALVES 191

Expansion Valve Specifications	192
Solenoid Valves	194
Block Type Expansion Valves	194
Externally Equalized Expansion Valves	200
Internally Equalized Expansion Valves	201
Inlet Tube	201
Cycling Clutch Orifice Tube (CCOT)	202
Service Tips	203

## WATER VALVES 205

Water Valve Specifications	206
Heater Fittings	214
Actuators	215
Control Cables & Assemblies	218
Control Knobs	218
Control Kits & Modules	221
Control Assemblies & Panels	222

## CONDENSERS 225

Condenser Coils	226
Typical Header Types	236
Service Tips	236

## EVAPORATORS 237

Evaporator Coils	238
Service Tips	242

## HEATER CORES 243

Heater Cores	244
Service Tips	250

## RECEIVER DRIERS 251

Receiver Drier Specifications	252
Receiver Driers	256
Brackets & Valve Kits	268
Service Tips	269

## SWITCHES 271

Electrical Switches	272
Pressure Switches	276
Thermostatic Switches	284
Miscellaneous Switches	287
Circuit Breakers	288
Linear Power Modules	289
Relays	290
Resistors	291
Sensors	294

Call: 800.499.6849 for Technical Assistance

# Reference Guide

## Contents



<b>FITTINGS</b>	<b>295</b>	<b>ROOFTOP SYSTEMS</b>	<b>427</b>
Aeroquip E-Z Clip Fittings & Hoses	296	Integral Power Manual	428
AIR-O-CRIMP Fittings	306	KA-300	430
ATCO Beadlock Fittings	313	HD-1000 Service Guides	432
Beadlock Fitting Identification	325		
Burgaflex Fittings	329	<b>ENGINE-DRIVEN HEADLINER</b>	
O-Rings	334	<b>SYSTEMS</b>	<b>433</b>
Bulkhead Adapters, Tubing & Drain Hoses	340	Dash Mount AC	434
Ducting, Clamps & Hoses	343	Kelvin AC	436
Accessories	345	Kelvin HVAC	438
		Pascal AC	440
<b>SERVICE EQUIPMENT</b>	<b>347</b>	KA-400 Slimline Service Guide	442
Flush & Recharge Equipment	348	KK-400 Slimline Service Guide	442
Miscellaneous Service Equipment	348	KK-500 Hardhat Service Guide	443
Leak Detection Equipment	348		
		<b>ENGINE-DRIVEN BACKWALL</b>	
<b>CHEMICALS &amp; LUBRICANTS</b>	<b>349</b>	<b>SYSTEMS</b>	<b>445</b>
Chemical & Lubricant Specifications	350	KK-315 Service Guide	446
Chemicals	350	KA-550 Slimline Service Guide	446
Lubricants	351	KK-550 Slimline Service Guide	447
		KA-600 BAcKpack Service Guide	447
<b>KITS &amp; ACCESSORIES</b>	<b>353</b>	KA-710 Sidekick Service Guide	448
Retrofit Kit & Adapters	354		
Tools & Accessories	355	<b>CONDENSERS</b>	<b>449</b>
<b>AIR FILTERS</b>	<b>361</b>	2-Fan Condenser Kit	450
Air Filter Specifications	362	2-Fan Skirt Condenser	452
		3-Fan Skirt Condenser	454
<b>LOUVERS</b>	<b>375</b>	KC-750	456
Rectangle Louvers	376	KC-500 Service Guide	458
Round Louvers	377		
<b>BUS PRODUCTS</b>	<b>381</b>	<b>HEATERS</b>	<b>459</b>
<b>MOUNTING &amp; DRIVE KIT</b>		Pascal Heater / KH810	460
<b>APPLICATIONS</b>	<b>397</b>	KH-900	462
Engine Application Data	398	KH-150 Service Guide	464
AC System Kits Numeric Listing	402	KH-200 Service Guide	464
		KH-300 Service Guide	465
		Heater Assemblies	466
<b>SECTION 3</b>	<b>SYSTEMS</b>	<b>BERGSTROM ELECTRIFIED SYSTEMS</b>	
		<b>(BES)</b>	<b>469</b>
<b>SUGGESTED VEHICLE APPLICATIONS</b>		F-Series	471
<b>LEGEND</b>	<b>405</b>	FVF120 Pressurizer System	472
		FVV50 Pressurizer	474
<b>AFTERMARKET SYSTEMS MATRIX</b>	<b>406</b>	FVV60 Pressurizer	476
		FVV150 Pressurizer	478
<b>EPRODUCT SYSTEMS</b>	<b>409</b>	FVW100 Pressurizer	480
NITE® Phoenix	410	M-Series	483
NITE® SSI	412	MPV5 HVAC System	484
eCoolPark 1.0	414	MPV9 HVAC System	486
Battery Boxes	416	BES2400	488
Heater Options	417	BES2600LH	490
eProduct Service Parts	418	BES3000	492



# Reference Guide Contents

T-Series	495
TBV6 Hydraulic Compressor	496
TCR6 Condenser Package	498
TDR5 HVAC System	500
TPR6 AC System	502
TPW5 HVAC System	504
<b>SCHOOL BUS SYSTEMS</b>	<b>507</b>
Front Bulkhead Evaporator Unit	508
Rear Bulkhead Evaporator Unit	509
Dash Evaporator Unit	510
Midship Evaporator Unit	511
Dual Fan Ceiling Evaporator Unit	512
2-Fan Condenser	513
3-Fan Condenser	514
Bus Service Parts	515
<b>SOLAR ENERGY SYSTEMS</b>	<b>523</b>
36 Cell Solar Panel	524
48 Cell Solar Panel	525
64 Cell Solar Panel	526
72 Cell Solar Panel	527
144 Cell Solar Panel	530
Lift Gate Kits	531
Electrical Inverter Kits	533
<b>UVC AIR FILTER SYSTEMS</b>	<b>535</b>
UVC Air Filter Underseat System	536
UVC Air Filter Service Parts	537
<b>RV SYSTEMS</b>	<b>539</b>
RV Combo Heater/ac System - front	540
RV Combo Heater/AC System - Jayco	541
RV Combo Heater/ac System - Thor	542
RV Service Parts	543
<hr/>	
<b>SECTION 4</b>	REFERENCE
<hr/>	
<b>PART NUMBER CROSS REFERENCE</b>	<b>547</b>
<b>PART NUMBER INDEX</b>	<b>629</b>

Call: 800.499.6849 for Technical Assistance

iii





# APPLICATIONS

1



*Air Conditioning & Heating  
Replacement Parts*

## Medium & Heavy Duty Applications

<b>Chevrolet/GMC</b>	<b>2</b>
<b>Ford/Sterling</b>	<b>4</b>
<b>Isuzu</b>	<b>5</b>
<b>Sterling</b>	<b>6</b>
<b>Freightliner</b>	<b>7</b>
<b>International</b>	<b>19</b>
<b>Kenworth</b>	<b>32</b>
<b>Mack</b>	<b>48</b>
<b>Peterbilt</b>	<b>59</b>
<b>Volvo</b>	<b>81</b>
<b>Western Star</b>	<b>87</b>

Call: 800.499.6849 for Technical Assistance

Availability of the products shown in this reference guide is subject to change without notice by Bergstrom, Inc.  
For the most current product information please visit the Bergstrom Distributor website at <https://shop.bergstrominc.com/>.

1

MED/HEAVY DUTY APPS

**Chevrolet/GMC****CONDENSERS**

YEAR	MODEL	DESCRIPTION	OEM NO.	PART NO:
<b>40-95 SERIES, TOPKICK, KODIAK</b>				
1984-1993	Tiltmaster, Forward	with Kysor Class Six Unit	401043	<b>160152</b>
2003-2009	40-95 Series, Topkick, Kodiak	with 28x16x3/4 with Block Connectors	15112434, 19256531, 5829429	<b>1000036148</b>
2003-2009	C45-5500 Series	with 28 x 16 x 3/4 with Block Connectors	15112434, 19256531	<b>1000036148</b>

**EXPANSION VALVES AND ORIFICE TUBES**

YEAR	MODEL	DESCRIPTION	OEM NO.	PART NO:
<b>40-75 SERIES, TOPKICK, KODIAK</b>				
1999-2009	All Models	with CCOT (Orifice Tube) white	3033879, 1650	<b>525712</b>
<b>C/K 10-35 SERIES, AVALANCHE, SILVERADO</b>				
1976-2000	All Models	with CCOT Orifice Tube-white(exc.97-91 with Cond Orifice)	3033879	<b>525712</b>
<b>G 10-30 SERIES, EXPRESS, SAVANA</b>				
1990-1997	G-Series	with CCOT (Orifice Tube) white/black	3033879, 1650	<b>525712</b>
1990-2010	All Models	Orifice Tube, .072" (black/white)	3096068, 1653	<b>540268</b>
1991-1997	G-Series	Orifice Tube, .072" (black/white)	3096068, 1653	<b>540268</b>
1998-2000	All Models	with CCOT, Orifice Tube - white	3033879, 1650	<b>525712</b>
<b>P SERIES</b>				
1991-1997	P Series	Orifice Tube, .072" (black/white)	3096068, 1653	<b>540268</b>
1990-1997	P Series	with CCOT (Orifice Tube) white/black	3033879, 1650	<b>525712</b>
<b>R/V 10-35 SERIES</b>				
1990-2000	R/V Series	with CCOT (Orifice Tube) white/black	3033879, 1650	<b>525712</b>
1991-2000	R/V Series	Orifice Tube, .072" (black/white)	3096068, 1653	<b>540268</b>

**RECEIVER DRIERS/ACCUMULATORS**

YEAR	MODEL	DESCRIPTION	OEM NO.	PART NO:
<b>40-75 SERIES, TOPKICK, KODIAK</b>				
1990-1993	Forward, Tiltmaster	Forward W with Factory A/C	509632-7740	<b>1001478801</b>
<b>80-95 SERIES, BRIGARIES/BRUIN, BISON/GENERAL</b>				
1987-1987	Brigidaier,Bruin	with Kysor HCD Drier	402720	<b>1001452318</b>

**RELAYS**

YEAR	MODEL	DESCRIPTION	OEM NO.	PART NO:
<b>40-75 SERIES</b>				
1990-2000	C 40-75 Series	Relay (behind glove box) 12V 5 terminal	25520198, 14100455	<b>650731</b>
<b>40-95 SERIES, TOPKICK, KODIAK</b>				
1985-1993	Forward, Tiltmaster	with Kysor A/C Mini Relay	221655	<b>652420</b>
1983-1985	60-75 Series	Mini Relay(Accessory Feed)	14100455	<b>650731</b>
<b>95 SERIES, TOPKICK, KODIAK</b>				
1998-2009	All Models	Relay - Blower Motor, 5 terminal	21997408	<b>651011</b>
<b>FORWARD, TILTMASER</b>				
1990-1993	Forward, Tiltmaster	Relay Mini All with Kysor A/C	221655	<b>651150</b>
<b>G 10-35 SERIES, EXPRESS, SAVANA</b>				
1998-2007	All Models	Relay - Blower Motor, 5 terminal	21997408, 12077864	<b>651011</b>
<b>G 10-45 SERIES, EXPRESS, SAVANA</b>				
1998-2007	All Models	Relay-Blower Motor 5 terminal	21997408	<b>651011</b>

2



800.499.6849 • shop.bergstrominc.com

## Chevrolet/GMC

1

MED/HEAVYDUTYAPPS

## RESISTORS

YEAR	MODEL	DESCRIPTION	OEM NO.	PART NO:
<b>80-95 SERIES, BRIGADIER/BRUIN, BISON/GENERAL</b>				
1980-1987	Brigidaier, Bruin	Resistor 3 speed 3 terminal	8865281	<b>650441</b>

## SWITCHES - PRESSURE

YEAR	MODEL	DESCRIPTION	OEM NO.	PART NO:
<b>40-75 SERIES, TOPKICK, KODIAK</b>				
1989-1993	C/K Series	Pressure Cycling Switch NO M12 thread 2 pin	52457853, 3096605	<b>B404093</b>
1994-2002	C60-75 series	Accumulator Pressure Cycling Switch (Black 2 pin)	52466358	<b>650661</b>
<b>80-95 SERIES - BRIGADIER/BRUIN, BISON/GENERAL</b>				
All	Forward, Tiltmaster	with Kysor A/C Low Pressure Switch (R12)	404143	<b>1000948101</b>
<b>C/K 10-35 SERIES, AVALANCHE, SILVERADO</b>				
1994-1997	C/K Series	Accumulator Pressure Cycling Switch (R134a)	52466358, 52464975	<b>650661</b>

## WATER VALVES

YEAR	MODEL	DESCRIPTION	OEM NO.	PART NO:
<b>40-75 SERIES, TOPKICK, KODIAK</b>				
1986-1993	Tiltmaster, Forward	Forward W7 with Factory A/C	509632-7740	<b>B402562</b>

800.499.6849 • [shop.bergstrominc.com](http://shop.bergstrominc.com)

3

1

MED/HEAVY DUTY APPS

**Ford/Sterling****BLOWER MOTORS**

YEAR	MODEL	DESCRIPTION	OEM NO.	PART NO:
<b>CARGO, CF/CFT 600-800</b>				
1990	All Models	with Ford Add-on A/C	D9HZ-18527A	201520
1990	All Models	with Ford Add-on A/C	EDE6LH-19805-DA	203336

**BLOWER WHEELS**

YEAR	MODEL	DESCRIPTION	OEM NO.	PART NO:
<b>C-SERIES/CARGO CF</b>				
1990-1991	Cargo CF Series	with Kysor A/C	260680	B260680

**CONDENSERS**

YEAR	MODEL	DESCRIPTION	OEM NO.	PART NO:
<b>F650/750SD – F600/FT900</b>				
2000-2003	F650-750SD	All 23 x 28-1/4 (block Pad fittings)	XC3Z-19712CA	1000036702
2004-2014	F650-750SD	with 6.7L, 6.8L, 7.2L Engine 19-1/2 x 24	4C4Z-19712EA	160198
<b>L-SERIES (LOUISVILLE LINE – L, LA, LN, LNT, LTA, LTL, LTS)</b>				
1994-1997	L, LN, LNT, LT, LTS	with Diesel Engine (21" x 27")	F4HZ-19712A	160144
1996-1997	L/LT/LLT 85-95	Louisville Series (19" x 37")	F6HZ-19712	160146

**EXPANSION VALVES AND ORIFICE TUBES**

YEAR	MODEL	DESCRIPTION	OEM NO.	PART NO:
<b>E-SERIES</b>				
1990-1991	All Models	withoutrange Orifice Tube	F2DZ-19D990A	540266
1992-2006	All Models	with Red Orifice Tube	F4UZ-19D990A, E59H-19D990AA	540018
<b>F-SERIES F150/F550SD</b>				
1980-2010	F150/750SD	with Blue Orifice Tube	F5XZ-19D990AB	540265
1994-2010	F150/550SD	with Red Orifice Tube	F4UZ-19D990A	540018
<b>L-SERIES (LOUISVILLE LINE – L, LA, LN, LNT, LTA, LTL, LTS)</b>				
1990-1997	All Models	with Blue Orifice Tube	F3XY-19D990A	540265
1994-1997	All Models	with Red Orifice Tube	E69Z-19D990A, E59H-19D990AA	540018

**RECEIVER DRIERS/ACCUMULATORS**

YEAR	MODEL	DESCRIPTION	OEM NO.	PART NO:
<b>F650/750SD – F600/FT900</b>				
1995-1996	F600/800	Accumulator with Diesel (add-on A/C)	F6HH-19E647AA	526112
<b>L-SERIES (LOUISVILLE LINE – L, LA, LN, LNT, LTA, LTL, LTS)</b>				
1994-1997	All Models	Accumulator with charging valve, switch ports	F4HH-19E647AA, F4HZ-19C836A	526110
1996-1997	All Models	Accumulator with charging valve, switch ports	F7HH-19E647AB	526112

**RESISTORS**

YEAR	MODEL	DESCRIPTION	OEM NO.	PART NO:
<b>CARGO, CF/CFT 600-800</b>				
1990-1991	Cargo CF 600-8	Blower Resistor (with Kysor A/C)	220990	650790

4



800.499.6849 • shop.bergstrominc.com

**Isuzu**

**1**

MED/HEAVYDUTYAPPS

**CONDENSERS**

YEAR	MODEL	DESCRIPTION	OEM NO.	PART NO:
<b>H SERIES</b>				
2005-2008	H Series	Condenser Coil, 17" x 30-1/4" x 3/4"	15112434, 19256531	<b>1000036148</b>

**EXPANSION VALVES AND ORIFICE TUBES**

YEAR	MODEL	DESCRIPTION	OEM NO.	PART NO:
<b>H SERIES</b>				
2005-2008	All Models	Orifice Tube White .072"	8-03033-879-0	<b>525712</b>



800.499.6849 • [shop.bergstrominc.com](http://shop.bergstrominc.com)

1

MED/HEAVY DUTY APPS

# Sterling

## ACTUATOR

YEAR	MODEL	DESCRIPTION	OEM NO.	PART NO:
<b>ALL MODELS</b>				
2003-2015	MC, 108SD, 114SD	Actuator;Heater(6 pin)	VCC32000022	<b>1000039630</b>
2003-2015	M2 Series, Century, Columbia, Coronado	Actuator Stepper Motor: Main & Auxiliary (6 pin)	BOA91594	<b>1001272224</b>
<b>108SD (SEVERE DUTY-VOCATIONAL)</b>				
2012-2015	All Models	with Actuator Stepper Motor	VCC32000022	<b>1000039630</b>
<b>114SD (SEVERE DUTY-VOCATIONAL)</b>				
2012-2015	All Models	with Actuator Stepper Motor	VCC32000022	<b>1000039630</b>
<b>BUSINESS CLASS M2 100 - 112V</b>				
2003-2012	M2 Series	with Actuator Stepper Motor	VCC32000022	<b>1000039630</b>
<b>CENTURY CLASS</b>				
2003-2015	Century	Actuator Stepper Motor: Main & Auxiliary	BOA91594	<b>1001272224</b>
<b>COLUMBIA</b>				
2003-2015	Columbia	Actuator Stepper Motor: Main & Auxiliary	BOA91594	<b>1001272224</b>

## AIR FILTERS

YEAR	MODEL	DESCRIPTION	OEM NO.	PART NO:
<b>ALL OTHER MODELS</b>				
2003-2010	All Models	with 8-1/4" x 8-1/2" x 3/4" Evaporator Filter	VCC36000006	<b>1000039637</b>

## BLOWER MOTORS

YEAR	MODEL	DESCRIPTION	OEM NO.	PART NO:
<b>ALL OTHER MODELS</b>				
2002-2005	All Models	with flange mount 12V	ABP N83-3010, H5-440-50009	<b>868790</b>

## CONDENSERS

YEAR	MODEL	DESCRIPTION	OEM NO.	PART NO:
<b>ALL OTHER MODELS</b>				
1998-2003	All Models	with 19" x 37-1/4" x 3/4"	F6HZ-19712A	<b>160146</b>
2004-2006	All Models	with 24-7/8" x 20" x 5/8"	BHT-87164	<b>1000036698</b>
2006-2008	All Models	with 31-1/2" x 19" x 5/8"	1E5864, BHT79465	<b>1000039661</b>
2008-2010	All Models	with 27"-1/4" x 19" x 5/8"	22-62271-000	<b>1000626834</b>

## EXPANSION VALVES AND ORIFICE TUBES

YEAR	MODEL	DESCRIPTION	OEM NO.	PART NO:
<b>ALL OTHER MODELS</b>				
1998-2005	All Models	Red Orifice	E69Z-19D990A, E59H-19D990AA	<b>540018</b>
1998-2010	All Models	with FFOT (Blue Orifice)	XC4H-19D990AA, F3XY-19D990A	<b>540265</b>

## RECEIVER DRIERS/ACCUMULATORS

YEAR	MODEL	DESCRIPTION	OEM NO.	PART NO:
<b>ALL OTHER MODELS</b>				
2000-2010	All Models	Accumulator, charging valve, switch ports	4C4H-19C808AA	<b>526112</b>

6



800.499.6849 • shop.bergstrominc.com

## AIR FILTERS

YEAR	MODEL	DESCRIPTION	OEM NO.	PART NO:
<b>108SD (SEVERE DUTY-VOCATIONAL)</b>				
2012-2015	108SD	8-3/8" x 8-5/8" x 1"	VCC36000006	1000039637
<b>114SD (SEVERE DUTY-VOCATIONAL)</b>				
2012-2015	114SD	8-3/8" x 8-5/8" x 1"	VCC36000006	1000039637
<b>ALL OTHER MODELS</b>				
2002	All Models	8-5/8"x7-5/8"x3/4"	BOA80-319-00-159	530631
All	All Models	8-7/8"x9"x1/4 framed filter – mesh	65-00193-00	525460
<b>CASCADIA (INCL. EVOLUTION)</b>				
2008-2015	Cascadia	10-5/8" x 10-5/8" x 1" (under hood)	BOA91559	1000331105
<b>CENTURY CLASS</b>				
2003-2015	Century	6-1/4"x7-7/8"x3/4"	BOA91595	526407
2008-2015	Century	10-5/8" x 10-5/8" x 1" (under hood)	BOA91559	1000331105
<b>COLUMBIA</b>				
2003-2015	Columbia	6-1/4"x7-7/8"x3/4"	BOA91595	526407
2008-2015	Columbia	10-5/8" x 10-5/8" x 1" (under hood)	BOA91559	1000331105
<b>CORONADO</b>				
2003-2015	Coronado	6-1/4"x7-7/8"x3/4"	BOA91595	526407
2003-2015	Coronado	10-5/8" x 10-5/8" x 1" (under hood)	BOA91559	1000883432
<b>M2 BUSINESS CLASS</b>				
2003-2015	M2 Business Class	8-3/8" x 8-5/8" x 1"	VCC36000006	1000039637

## BLOWER MOTORS

YEAR	MODEL	DESCRIPTION	OEM NO.	PART NO:
<b>BUSINESS CLASS M2 100 - 112V</b>				
2002-2003	All Models	All Main Unit (Behr)	BOA94350	203368
<b>CENTURY CLASS</b>				
1996-1999	C112, C120	All Models with Behr Sleeper Unit with housing & motor	BOA80-414-00-149	203268
1996-2002	C112, C120	All Main Unit with 12V CCW – Assembly	ABPN83-301137, BOA80-415-00-789, 2809-850-053	890067
2000-2004	C112, C120	Assembly for Sleeper Unit	BOA85-205-50-009-00	868790
2002-2004	C112, C120	Auxiliary Unit with water valve system (Behr)	BOA85-462-50-009, ABPN83-301327, 2809-841-036	869701
2002-2015	All Models	Front and Auxiliary with blend air system	BOA94350, BOAD8587	203368
06/02-2015	All Models	Front and Auxiliary, with blend air system withoutE	BOA94350	203368
<b>CLASSIC XL</b>				
1978-1988	FLC, FLT, FLD	All Main Unit with Red Dot, single shaft	N83-301361, HA1060, A22-21403-001	203133
1989-1993	FLC, FLT	All with Main Unit – 12V CCW	N83-301361, A22-21403-001	203133
1991-2001	Classic XL	All withoutE type motor and blower wheel	N83-301017, HA1870, BOA85-440-50-509	868790
2002-2010	All Models	Auxiliary Unit with water valve system (Behr)	BOA85-462-50-009	869701
2013	All Models	Front and Auxiliary with blend air system	BOAD8587	868790
<b>COLUMBIA</b>				
1996-1999	Columbia	All Models with Behr Sleeper Unit with housing & motor	BOA80-414-00-149	203268
1996-2002	Columbia	All Main Unit with 12V CCW – Assembly	ABPN83-301137, BOA80-415-00-789, 2809-850-053	890067
2000-2004	Columbia	Assembly for Sleeper Unit	BOA85-205-50-009-00	868790



800.499.6849 • shop.bergstrominc.com

7

1

MED/HEAVY DUTY APPS

**Freightliner****BLOWER MOTORS**

YEAR	MODEL	DESCRIPTION	OEM NO.	PART NO:
2002-2004	Columbia	Auxiliary Unit with water valve system (Behr)	BOA85-462-50-009, ABPN83-301327, 2809-841-036	<b>869701</b>
2002-2015	All Models	Front and Auxiliary with blend air system	BOA94350, BOAD8587	<b>203368</b>
06/02-2015	All Models	Front and Auxiliary, with blend air system withoutE	BOA94350	<b>203368</b>
<b>CORONADO</b>				
2003-2015	Coronado	Front and Auxiliary with blend air system	BOA94350	<b>203368</b>
<b>FL50, 60, 70</b>				
1994-2003	FL Series	All withoutE type motor and blwr wheel	ABPN83-301017, BOA85-440-50-009, HA1870	<b>868790</b>
2002-2003	All Models	All Main Unit (Behr)	BOA94350	<b>203368</b>
<b>FLD SERIES</b>				
1978-1988	FLC, FLT, FLD	All Main Unit with Red Dot, single shaft	ABPN83-301361, A22-21403-001, HA1060	<b>203133</b>
1989-1993	FLC, FLT	All with Main Unit – 12V CCW	N83-301361, A22-21403-001	<b>203133</b>
1990-1993	FLA, FLC, FLD	All withoutE type motor and blower wheel	N83-301017, HA1870 , BOA85-440-50-509	<b>868790</b>
1990-1993	FLC, FLT	All with Main Unit – 12V CCW	N83-301361, A22-21403-001	<b>203133</b>
1991-2001	FLD112, 120	All withoutE type motor and blower wheel	N83-301017, HA1870 , BOA85-440-50-509	<b>868790</b>
2002-2010	All Models	Auxiliary Unit with water valve system (Behr)	BOA85-462-50-009	<b>869701</b>
2013	All Models	Front and Auxiliary with blend air system	BOAD8587	<b>868790</b>
<b>SLEEPER UNITS</b>				
1989-1997	Sleeper Unit	All with Red Dot Sleeper Unit (R4290-0)	2819-540-022, HA1050, ABPN83-301411, RD5-6531-0	<b>203211</b>
1990-1997	Sleeper Unit	All with Red Dot Sleeper Unit (R4190-0)	ABPN83-301121, HA1075, RD5-6531-0	<b>203211</b>
1991-1999	FLN, FLT	All Models with Behr Sleeper Unit; with wheel	ABPN83-301527, BOA85-462-50-009	<b>869701</b>
1996-1999	Sleeper Unit	Blower Motor 12V, 1 speed	ABPN83-301147, BOA80-414-00-149	<b>203268</b>
2002-2010	All Models	Front and Auxiliary with blend air system	BOA94350, BOAD8587	<b>203368</b>
2002-2010	All Models	Auxiliary Unit with Water valve system	BOA85-462-50-009, ABPN83-301527, ABPN83-301327, 2809-841-036	<b>869701</b>

**CLUTCHES - YORK/T/CCI STYLE**

YEAR	MODEL	DESCRIPTION	OEM NO.	PART NO:
<b>ALL OTHER MODELS WITH YORK/T/CCI - STYLE COMPRESSOR</b>				
All	All Models	2 groove 6" Diameter with diode & Weatherpack terminal	024-21590, 03-1104973, 520636, ABPN83-303022	<b>1000139242</b>

**CONDENSERS**

YEAR	MODEL	DESCRIPTION	OEM NO.	PART NO:
<b>114SD (SEVERE DUTY-VOCATIONAL)</b>				
2012-2015	114SD	with 33-1/4 x 19 x 5/8 All (main)	22-62271-000	<b>1001188179</b>
2012-2015	114SD	with 33-1/4" x 19" x 5/8" All (main)	22-62271-000	<b>1000626834</b>
<b>ARGOSY COE</b>				
2007-3/1999	Argosy (COE)	with 26"x24-1/2" x 7/8 Tube-O ring Fittings	22-45017-000, 20046S	<b>1000036222</b>

8



800.499.6849 • shop.bergstrominc.com



**CONDENSERS**

YEAR	MODEL	DESCRIPTION	OEM NO.	PART NO:
<b>BUSINESS CLASS M2 100 - 112V</b>				
2003-2007	M2 Series	with 23-1/4" x 17-1/4" x 1"	BHTD2513, BHT72214 BHT E2108	1000036217
2008-2015	M2 Series	with 27-1/4" x 20"-3/8" x 5/8"	A22-66842-000, A22-72252-000	1001345354
<b>CASCADIA (INCL. EVOLUTION)</b>				
2008-2009	All Models	with 29-3/4" x 18" x 3/4" Pad fittings	A22-66824-001	1000626834
2008-2015	All Models	with 33-1/2" x 19" x 5/8" Pad fittings	A22-67125-000, A22-72249-000	1000626834
2008-2015	All Models	with 33-1/2 x 19 x 5/8 Pad fittings	A22-67125-000, A22-72249-000	1001188179
2008-2015	All Models	with 34-1/4 x 22-1/8 x 5/8 ;DD15 Engine (main)	A22-62272-000, A22-72250-000	1001345260
<b>CENTURY CLASS</b>				
1991-2000	Century Class	All with radiator mount (27-1/2" x 10" x 1-3/4")	22-32466-001, 19757S, ABPN83190, BB1957, MVA1-9231	1000617152
1996-2000	Century Class	without O-ring fittings 31-1/2" x 20" x 7/8"	22-42084-002, 19893S, ABPN83-306275	1000699305
2002-2015	All Models	with Slimline fittings 33" x 20" x 7/8"	BHT73002, 9271	1000039661
2008-2012	Century Class	All Main	22-62271-000	1000039661
2008-2012	Century Class	All (main)	22-62271-000	1001188179
<b>CLASSIC XL</b>				
1991-2003	Classic XL	All with radiator mount (27-1/2" x 10" x 1-3/4")	22-32466-001, 19757S, ABPN83190, BB1957, MVA1-9231	1000617152
1992-1999	Classic XL	All with radiator mount (29" x 20" x 1-1/4")	22-32302-001, 19756S, MVA1-9244, ABPN83-30	1000699312
2004-2010	Classic XL	with Slimline fitting 33 x 20 x 7/8 "	1E5864, BHT79465	1000039661
2004-2010	Classic XL	with Slimline fittings 33" x 20" x 7/8"	IE6854, BHT79465	1000036217
2008-2013	Classic XL	with 33-1/4" x 19" x 5/8" All (main)	22-62271-000	1000626834
2008-2013	Classic XL	with 33-1/4 x 19 x 5/8 All (main)	22-62271-000	1001188179
<b>COLUMBIA</b>				
2002-2015	All Models	with Slimline fittings 33" x 20" x 7/8"	BHT73002, 9271	1000039661
<b>CORONADO</b>				
2004-2014	All Models	with 33-5/8" x 19" x 3/4" All (main)	IE5865, 1E6069	1000039665
2010-2015	All Models	with 34-1/4 x 22-1/8 x 5/8 ;DD15 Eng (main)	22-62272-000	1001345260
2012-2015	Coronado	with 33-1/4" x 19" x 5/8" All (main)	22-62271-000	1000626834
<b>FL50, 60, 70</b>				
1994-2000	FL50 - FL112	All Models with radiator mount	A22-24885-00	1000699317
1994-2002	FL Series	with 25-3/16" x 20" x 7/8"	A680-830-0370, 19836S, ABPN83 306280, 680-801-00-70	1000699304
<b>FLD SERIES</b>				
1991-2003	FLD112, 120	All with radiator mount (27-1/2" x 10" x 1-3/4")	22-32466-001, 19757S, ABPN83190, BB1957, MVA1-9231	1000617152
1992-1999	FLD112, 120	All with radiator mount (29" x 20" x 1-1/4")	22-32302-001, 19756S, MVA1-9244, ABPN83-30	1000699312
2001-2005	FLD112	All Models with radiator mount	22-43941-000	1000699306
2004-2010	FLD	with Slimline fitting 33 x 20 x 7/8 "	1E5864, BHT79465	1000039661
2004-2010	FLD	with Slimline fittings 33" x 20" x 7/8"	IE6854, BHT79465	1000036217
2008-2013	FLD	with 33-1/4 x 19 x 5/8 All (main)	22-62271-000	1001188179
2008-2013	FLD	with 33-1/4" x 19" x 5/8" All (main)	22-62271-000	1000626834



800.499.6849 • shop.bergstrominc.com

9

1

MED/HEAVY DUTY APPS

**Freightliner****EVAPORATORS**

YEAR	MODEL	DESCRIPTION	OEM NO.	PART NO:
<b>CENTURY CLASS</b>				
2002-2015	All Models	Main AC with combo core (evaporator/heater core)	BOA80-379-00-611	<b>1000039669</b>
<b>CLASSIC XL</b>				
1989-2009	All Models	Main Unit with Behr Evaporator	BOA80-375-00-569, ABPN83 307010, BOA73-000-04-02, MVA1-9248	<b>151457</b>
2003-2015	All Models	Main A/C with combo core (evaporator/Heater Core) for unit	A22-15190-007, 008 BOA80-379-00-611	<b>1000039669</b>
<b>COLUMBIA</b>				
2002-2015	All Models	Main A/C with combo core (evaporator/Heater Core)	BOA80-379-00-611	<b>1000039669</b>
<b>CORONADO</b>				
2003-2015	Coronado	Main A/C with combo core (evaporator/Heater Core) for unit	A22-15190-007, 008 BOA80-379-00-611	<b>1000039669</b>
<b>FLD SERIES</b>				
1989-2009	All Models	Main Unit with Behr Evaporator	BOA80-375-00-569, ABPN83 307010, BOA73-000-04-02, MVA1-9248	<b>151457</b>
1994-2003	FLD120	All Models with Red Dot Main Unit	NA1040; RD1402-0, ABPN83 307110	<b>151356</b>
2003-2015	All Models	Main A/C with combo core (evaporator/Heater Core) for unit	A22-15190-007, 008 BOA80-379-00-611	<b>1000039669</b>
<b>SLEEPER UNITS</b>				
1989-1997	Sleeper	All Models with Red Dot Sleeper Unit R4190-0	RDHRD21402-0	<b>151356</b>
1990-1997	Sleeper	All Models with Red Dot Sleeper Unit	R4190-0, RDHRD21402-0	<b>151356</b>
2000-2007	Sleeper	All Models with Behr Sleeper evaporator	80-374-00-51-900, BOA91616	<b>1000039669</b>

**EXPANSION VALVES AND ORIFICE TUBES**

YEAR	MODEL	DESCRIPTION	OEM NO.	PART NO:
<b>108SD (SEVERE DUTY-VOCATIONAL)</b>				
2012-2015	All Models	Block type with (#8) inlet (#12) outlet stat seals	VCCT1001838L	<b>1001445648</b>
All	All Models	All Models with Red Dot Sleeper Unit	A22-18591-000, 329-005, N83-308041, SI0329-412,	<b>1001443791</b>
<b>114SD (SEVERE DUTY-VOCATIONAL)</b>				
2012-2015	All Models	Block type with (#8) inlet (#12) outlet stat seals	VCCT1001838L	<b>1001445648</b>
All	All Models	All Models with Red Dot Sleeper Unit	A22-18591-000, 329-005, N83-308041, SI0329-412,	<b>1001443791</b>
<b>BUSINESS CLASS M2 100 - 112V</b>				
2003-2007	M2 Series	Block type w(#6, 8) inlets, (#8, 10) outlets flange	VCC88000030	<b>1000039685</b>
2003-2007	M2 Series	Block type with (#6, 8) inlets, (#8, 10) outlets flange	VCC88000030	<b>540383</b>
2008-2015	M2 Series	Block type with (#8) inlet (#12) outlet stat seals	VCCT1001838L	<b>1001445648</b>
<b>CASCADIA (INCL. EVOLUTION)</b>				
2008-2015	All Models	Block type with (#8) inlet (#12) outlet stat seals	VCCT1000898P	<b>1001404629</b>
<b>CENTURY CLASS</b>				
1996-2000	C112, C120	with block type with 1/2" (#8) in 5/8" (#10) out fittings	A22-45432-000	<b>1001443384</b>
1998-2002	C112, C120	with front system bypass, bleed type; with 2 green stripes	329-474, ABPN83-308906	<b>1001443384</b>
2000-2002	All Models	Auxiliary A/C with Slimline fitting; Gold in color	BOA80-321-00-269	<b>540383</b>
2000-2012	All Models	Main Unit with Slimline fitting; Gold in color	ABPN83308231, BOA80-321-00-259	<b>1000039683</b>
2003-2015	All Models	Main Unit, IN #6 #8 OUT #12 #10 Stat Seals	BOAA4965, 7005636	<b>540454</b>

10

800.499.6849 • [shop.bergstrominc.com](http://shop.bergstrominc.com)

## EXPANSION VALVES AND ORIFICE TUBES

YEAR	MODEL	DESCRIPTION	OEM NO.	PART NO:
2003-2015	All Models	Auxiliary REar Unit, IN #6 #8 Stat Seals (burgundy)	BOA93674	1000021106
2008-2013	All Models	Main Unit, IN #8 #8 OUT #12 #10 Stat Seals	BOAN9535001, BOA4965	1000039681
<b>CLASSIC XL</b>				
1991-2000	Classic XL	All with block type (#8) inlet (#10) outlet fittings	BOA80-321-00-129	1001443384
2000-2005	Classic XL	with front system bypass, bleed type; with 2 green str	329-474, 308906	1001443384
2001-2007	All Models	Main Unit, IN #6 #8 OUT #12 #10 Stat Seals	ABPN83-327302	540454
<b>COLUMBIA</b>				
2000-2002	All Models	Auxiliary A/C with Slimline fitting; Gold in color	BOA80-321-00-269	540383
2000-2012	All Models	Main Unit with Slimline fitting; Gold in color	ABPN83308231, BOA80-321-00-259	1000039683
2003-2015	All Models	Main Unit, IN #6 #8 OUT #12 #10 Stat Seals	BOAA4965, 7005636	540454
2003-2015	All Models	Auxiliary REar Unit, IN #6 #8 Stat Seals (burgundy)	BOA93674	1000021106
2008-2013	All Models	Main Unit, IN #8 #8 OUT #12 #10 Stat Seals	BOAN9535001, BOA4965	1000039681
<b>CORONADO</b>				
2003-2015	All Models	Main Unit, IN #6 #8 OUT #12 #10 Stat Seals	BOAA4965, 7005636	540454
2003-2015	All Models	Auxiliary REar Unit, IN #6 #8 Stat Seals (burgundy)	BOA93674	1000021106
2008-2015	All Models	Main Unit, IN #8 #8 OUT #12 #10 Stat Seals	BOAN9535001, BOA4965	1000039681
<b>FL50, 60, 70</b>				
1994-1996	FL	All with block type with two (#8) outlet/inlet fittings	ABPN83-308011	1001443791
1994-2002	FL50 - FL112	Block type with (#8) inlet (#10) outlet fitting	ABPN83-30807	1001443384
<b>FLD SERIES</b>				
1974-1991	FLC	All with block type with two (#8) outlet/inlet fittings	ABPN83-308011	1001443791
1990-1996	FLC	All with block type with (#8) inlet (#10) outlet fittings	ABPN83-308071	1001443384
1991-2000	FLD112, 120	All with block type (#8) inlet (#10) outlet fittings	BOA80-321-00-129	1001443384
1992-1996	FLD	All with block type with two (#8) outlet/inlet fittings	ABPN83-308011	1001443791
1993-1981	FLT, FLP, FLD	All with block type with two (#8) outlet/inlet fittings	ABPN83-308011	1001443791
1994-2002	FLL, FLB	with block type with (#8) inlet (#10) outlet fittings	ABPN83-308071	1001443384
2000-2005	FLD112, 120	with front system bypass, bleed type; with 2 green str	329-474; 308906	1001443384
2001-2007	All Models	Main Unit, IN #6 #8 OUT #12 #10 Stat Seals	ABPN83-327302	540454
<b>SLEEPER UNITS</b>				
All	All Models	All Models with Behr Sleeper Unit	A22-45432-000	1001443384
All	All Models	Freon Solenoid Valve for Sleeper Unit LA1225, RD4188-0, N83-308069	LA1225, RD4188-0, N83-308069	650199
<b>WFC SERIES</b>				
1973-1984	WFC	All expansion valve, externally equalized with coil, O-ring	A22-14423-002	1001443384
1974-1988	WFC	Block type (2 Ton) (without Mount Holes)	A22-18591-000, ABPN83-308041, SI0329-412, 329-005	1001443791
1974-1991	WFC	with block type with two (#8) outlet/inlet fittings	EA1065, S10-329-015, ABPN83-308011	1001443791
1989-1996	WFC	with block type with (#8) inlet and (#10) outlet fittings	ABPN83-30807	1001443384
All	WFC	All expansion valve, int. equalized with coil	BOA80-321-00-049	1001443794
<b>WFT SERIES</b>				
1973-1984	WFT	All expansion valve, externally equalized with coil, O-ring	A22-14423-002	1001443384
1974-1988	WFT	Block type (2 Ton) (without Mount Holes)	A22-18591-000, 329-005, N83-308041, SI0329-412,	1001443791
1974-1991	WFT	with block type with two (#8) outlet/inlet fittings	EA1065, S10-329-015, N83-308011	1001443791
1989-1996	WFT	with block type with (#8) inlet and (#10) outlet fittings	ABPN83-30807	1001443384



800.499.6849 • shop.bergstrominc.com

11

1

MED/HEAVY DUTY APPS

**Freightliner****EXPANSION VALVES AND ORIFICE TUBES**

YEAR	MODEL	DESCRIPTION	OEM NO.	PART NO:
All	WFT	All expansion valve, int. equalized with coil	BOA80-321-00-049	1001443794

**HEATER CORES**

YEAR	MODEL	DESCRIPTION	OEM NO.	PART NO:
<b>CENTURY CLASS</b>				
2000-2015	Century Class	Main Unit (8-3/4x9-1/2x1-1/2) in/out 3/4"	HM9104001, BOAH0321	1000039686
2003-2015	Century Class	Auxiliary Unit	BOA93675	1000039688
<b>COLUMBIA</b>				
2000-2015	Columbia	Main Unit (8-3/4x9-1/2x1-1/2) in/out 3/4"	HM9104001, BOAH0321	1000039686
2003-2015	Columbia	Auxiliary Unit	BOA93675	1000039688
<b>CORONADO</b>				
2003-2015	Coronado	Auxiliary Unit (6x6-3/8x1-5/8)	BOA93675	1000039688
2003-2015	Coronado	Main Unit (8-3/4x9-1/2x1-1/2) in/out 3/4"	BOAM9104001, BOA91617, BOAH3021	1000039686

**RECEIVER DRIERS/ACCUMULATORS**

YEAR	MODEL	DESCRIPTION	OEM NO.	PART NO:
<b>108SD (SEVERE DUTY-VOCATIONAL)</b>				
2012-2014	108SD	Pad Type with side bracket (use #0181 stat seals)	A22-69799-000	1001450427
<b>BUSINESS CLASS M2 100 - 112V</b>				
2002-2007	M2 Series	3" Diameter 10" length; Slimline Seal #6, 2) M10 Ports	PH088518-00	1001450408
2008-2010	M2 Series	Side Bracket, Pad Type (use # 0131 stat seals)	A22-63992-001	1001450425
2011-2015	M2 Series	Side Bracket, Pad Type (use # 0131 stat seals)	A22-66600-000, A22-69799-000	1001450427
<b>CASCADIA (INCL. EVOLUTION)</b>				
2008-2010	Cascadia	with Pad Type (use # 0131 stat seals)	A22-63992-001, A22-64224-001, A22-72932-000	1001450425
2010-2015	Cascadia	Pad Type with Bracket (use # 0131 stat seals)	A22-63633-000, A22-63993-000, A22-65550-000, A22-66700-000, A22-69800-000, A22-72391-000	1000298975
<b>CENTURY CLASS, COLUMBIA</b>				
1996-2002	Century	3" Diameter 10-1/4" length; Slimline Seal type, 2) M10 Ports	088446-00, ABPN83-31953	1001450396
1996-2003	C112, C120	with 3" Diameter male/female with 2 (M10) port, MI, HPRV	PH 088335-00, ABPN83-319510	1001450393
2003-2015	Century	3" Diameter 10" length; Slimline Seal #6, 2) M10 Ports	ABPN83-319744	1001450408
2008-2012	Century	4" Diameter 7" length; with side bracket	A22-63992-001, 088539-00	1001450425
<b>CLASSIC XL</b>				
1990-1992	COE, CO	with 3" Diameter male-male with switch port, MI, HPRV	A22-32150, PH088184	1001450297
1991-1992	Classic	with 3" Diameter male/female with 2 switch port, MI, HPRV	ABPN83-319300	1001450297
1993-1996	Classic XL	with 3" Diameter male/female with 2 (1/4") port, MI, HPRV	ABPN83-319390, PH088282-00, PH088281-00	1001450363
1993-2006	All Models	with QD drier, R134a, with 2 (M10) port, MI, HPRV	PH088336-00	1001450386
1994-2001	Classic	with 3" Diameter male/female with 2 (M10) port, MI, HPRV	ABPN83-319510	1001450393
2002-2011	All Models	Slimline Seal type (top mounting type)	ABPN83-319744	1001450408

12



800.499.6849 • shop.bergstrominc.com

## RECEIVER DRIERS/ACCUMULATORS

YEAR	MODEL	DESCRIPTION	OEM NO.	PART NO:
2008-2011	All Models	Receiver Drier, Pad mount	A22-63992-001	<b>1001450425</b>
2008-2009	All Models	All	A22-63993-000	<b>1001860902</b>
<b>CORONADO</b>				
1994-2001	FLD, FLL Classic XL	with 3" Diameter male/female with 2 (M10) port, MI, HPRV	ABPN83-319510	<b>1001450393</b>
2003-2015	All Models	3" Diameter 10" length; Slimline Seal #6, 2) M10 Ports	ABPN83-319744	<b>1001450408</b>
2012-2015	All Models	Pad Type with Bracket (use # 0131 stat seals)	A22-66700-00	<b>1001860902</b>
<b>COLUMBIA</b>				
1996-2002	Columbia	3" Diameter 10-1/4" length; Slimline Seal type, 2) M10 Ports	088446-00, ABPN83-31953	<b>1001450396</b>
2003-2015	Columbia	3" Diameter 10" length; Slimline Seal #6, 2) M10 Ports	ABPN83-319744	<b>1001450408</b>
2008-2012	Columbia	4" Diameter 7" length; with side bracket	A22-63992-001, 088539-00	<b>1001450425</b>
<b>FL50, 60, 70</b>				
1994-2002	FL Series	3" Diameter male/female with 2 (M10) switch port with OE	ABPN83-319510	<b>1001450393</b>
<b>FLD SERIES</b>				
1990-1996	FLC, FLD, FLP	with 3" Diameter male/female with 2 switch port, MI, HPRV	22-34675, A22-37199-000, ABPN83-319930	<b>1001450297</b>
1991-1992	FLD112, 120	with 3" Diameter male/female with 2 switch port, MI, HPRV	ABPN83-319300	<b>1001450297</b>
1993-1996	FL, FLD	with 3" Diameter male/female with 2 (1/4") port, MI, HPRV	ABPN83-319390, PH088282-00, PH088281-00	<b>1001450363</b>
1993-2006	All Models	with QD drier, R134a, with 2 (M10) port, MI, HPRV	PH088336-00	<b>1001450386</b>
2002-2011	All Models	Slimline Seal type (top mounting type)	ABPN83-319744	<b>1001450408</b>
2008-2011	All Models	Receiver Drier, Pad mount	A22-63992-001	<b>1001450425</b>
2008-2009	All Models	All	A22-63993-000	<b>1000298975</b>

## RELAYS

YEAR	MODEL	DESCRIPTION	OEM NO.	PART NO:
<b>ALL OTHER MODELS</b>				
1974-2000	All Models	All Models with Bosch type relay with bracket	332-204-101, A22-011101-022, ABPN83-302190, BSM322035	<b>651150</b>
1990-2000	All Models	Relay 12V 5 terminal with diode 30-40 amp	ABPN83 322035	<b>650731</b>
1990-2000	All Models	All Models with Bosch type relay with bracket	332-204-101, A22-011101-022, ABPN83-302190, ABPN83-302190, CB1005	<b>651150</b>
1997-2015	All Models	with Bosch micro type; 5 terminal relay	VF2815F24S01	<b>652541</b>
<b>CENTURY CLASS</b>				
1997-2005	C112, C120	All with Bosch pin type 12V mini relay (Sleeper)	VF2815F14S01, POTVM2815F24S01	<b>651011</b>
<b>FL SERIES</b>				
1994-2001	FL Series	All Models with Behr 5 terminal relay	680-545-00-05, ABPN83-320250, MBT-12135084, MBT-A680-545-00-05, MVA1-9242	<b>1000925735</b>



800.499.6849 • shop.bergstrominc.com

13

1

MED/HEAVY DUTY APPS

**Freightliner****RESISTORS**

YEAR	MODEL	DESCRIPTION	OEM NO.	PART NO:
<b>ALL OTHER MODELS</b>				
All	All Models	Red Dot Blower Resistor (without cage)	RD 5-3647-0	<b>650441</b>
<b>CENTURY CLASS</b>				
1997-2011	C112, C120	All with blower resistor – 4 terminals	RDHRD5-6450-0, BOA87473, BOA80-926-00-079, ABPN83 321170	<b>650823</b>
1999-2003	All Models	All with CTC blower resistor	632004-04, BOA80-926-00-219, ABPN83 321210	<b>651013</b>
<b>CLASSIC, XL</b>				
1991-2010	Classic	All Models with blower resistor with 4 terminals	ABPN83 321170, BOA80-926-00-079, RDHRD5-6450-0	<b>650823</b>
<b>COLUMBIA</b>				
1997-2011	Columbia	All with blower resistor – 4 terminals	RDHRD5-6450-0, BOA87473, BOA80-926-00-079, ABPN83 321170	<b>650823</b>
1999-2003	All Models	All with CTC blower resistor	632004-04, BOA80-926-00-219, ABPN83 321210	<b>651013</b>
<b>FLD SERIES</b>				
1990-1996	FLP, FLT	All Models with blower resistor with 4 terminals	ABPN83 321170	<b>650823</b>
1990-1997	FL	All Models with blower resistor with 3 terminals with cage	06-15104-000	<b>651203</b>
1991-2010	FLD Series	All Models with blower resistor with 4 terminals	ABPN83 321170, BOA80-926-00-079, RDHRD5-6450-0	<b>650823</b>
<b>WFC SERIES</b>				
1990-1996	WFC	All Models with blower resistor with 4 terminals	BOA80-926-00-079, CA1020	<b>650823</b>
<b>WFT SERIES</b>				
1990-1996	WFT	All Models with blower resistor with 4 terminals	BOA80-926-00-079, CA1020	<b>650823</b>
1990-1997	WFT	All Models with blower resistor with 3 terminals with cage	06-15104-000	<b>651203</b>

**SEALS**

YEAR	MODEL	DESCRIPTION	OEM NO.	PART NO:
<b>ALL OTHER MODELS</b>				
All	All Models	Compressor(GH Head) Stat Seal	ABPN83-312372	<b>1000039492</b>
All	All Models	Evaporator Stat Seal	ABPN83-312361	<b>1000039483</b>
All	All Models	#6 Slimline Seal	ABPN83-312076	<b>1000039205</b>
All	All Models	#8 Stat Seal	23-13204-000	<b>1000039471</b>

**SWITCHES - BLOWER**

YEAR	MODEL	DESCRIPTION	OEM NO.	PART NO:
<b>BUSINESS CLASS M2 100 - 112V</b>				
1994-2000	All Models	with 3 speed, 5 terminal 20 amp-Universal Type 12-24V	BOA80-926-00-059	<b>650657</b>
<b>CENTURY CLASS</b>				
1997-2002	Century	with 3 speed, 5 terminal 20 amp - Universal Type 12-24V	2G754A	<b>B222975</b>
2001-2002	Century	Fan switch Auxiliary Unit	2G754A	<b>650657</b>

**SWITCHES - BLOWER**

YEAR	MODEL	DESCRIPTION	OEM NO.	PART NO:
<b>CLASSIC XL</b>				
1991-2010	Classic XL	with 3 speed, 5 terminal 20 amp - Universal Type 12-24V	ABPN83 322150, MVA1-9253	<b>B222975</b>
<b>COLUMBIA</b>				
1997-2002	Columbia	with 3 speed, 5 terminal 20 amp - Universal Type 12-24V	2G754A	<b>B222975</b>
2001-2002	Columbia	Fan switch Auxiliary Unit	2G754A	<b>650657</b>
<b>FLD SERIES</b>				
1991-2010	FLD Series	with 3 speed, 5 terminal 20 amp - Universal Type 12-24V	ABPN83 322150, MVA1-9253	<b>B222975</b>
1993-2000	FLL, FLB, FL50 - FL112	All Models with rotary blower switch (short Thread shaft)	BOA 80-926-00-0, ABPN83-323008	<b>890072</b>
1994-2000	All Models	with 3 speed, 5 terminal 20 amp-Universal Type 12-24V	BOA80-926-00-059	<b>650657</b>

**SWITCHES - PRESSURE**

YEAR	MODEL	DESCRIPTION	OEM NO.	PART NO:
<b>108SD (SEVERE DUTY-VOCATIONAL)</b>				
2012-2015	All Models	Binary switch – Normally Closed, M10 Threads	22-51296-000	<b>1000345640</b>
2012-2015	All Models	High Pressure – Fan Coupling, Normally Closed, M10 Female	A22-45194-001	<b>651332</b>
<b>114SD (SEVERE DUTY-VOCATIONAL)</b>				
2012-2015	All Models	Binary switch – Normally Closed, M10 Threads	22-51296-000	<b>1000345640</b>
2012-2015	All Models	High Pressure – Fan Coupling, Normally Closed, M10 Female	A22-45194-001	<b>651332</b>
<b>ALL OTHER MODELS</b>				
All	All Models	Low Pressure – Normally Open, on 25, off 35 3/8"-24 male Thread	085108-00	<b>B404097</b>
<b>BUSINESS CLASS M2 100 - 112V</b>				
1994-1998	All Models	Binary Switch – R12 Normally Open, Female 1/4" thread	A22-36474	<b>650869</b>
1994-2003	All Models	Binary Switch – Normally Open, M10 Female thread	A22-43249-000	<b>650870</b>
1994-2003	All Models	Low Pressure – Normally Open, 2 Spade, 3/8"-24 male Thread	085108-00	<b>B404097</b>
1994-2012	All Models	High Pressure – Fan Coupling, Normally Closed M10 Female	A22-45194-001	<b>651332</b>
2000-2015	All Models	Binary switch – Normally Closed, M10 Threads	22-51296-000	<b>1000345640</b>
<b>CASCADIA (INCL. EVOLUTION)</b>				
1994-2010	All Models	High Pressure – Fan Coupling, Normally Closed, M10 Female	A22-45194-001	<b>651332</b>
2008-2011	All Models	Binary switch, Normally Closed, M10 Threads	22-51296-000	<b>1000345640</b>
<b>CENTURY CLASS</b>				
1997-2004	C112, C120	High Pressure – Normally Closed, APads M10 Thread	8040279P, 223162	<b>650419</b>
1997-2015	All Models	High Pressure – Fan Coupling, Normally Closed M10 Female	A22-45194-001	<b>651332</b>
2000-2015	Century	Binary Switch – Normally Closed, M10 Fitting	22-51296-000	<b>1000345640</b>
2003-2015	Century	Control Switch – Temperature Probe Sensor, 2 Terminal	BOA91619	<b>1000039701</b>
2003-2015	All Models	Control Switch – Temperature Probe Sensor, 2 Terminal	BOA91619	<b>1000039701</b>
<b>CLASSIC XL</b>				
1991-1998	Classic	Binary Switch – Normally Open, 1/4" Female thread	A22-3647	<b>650869</b>



1

MED/HEAVY DUTY APPS

**Freightliner****SWITCHES - PRESSURE**

YEAR	MODEL	DESCRIPTION	OEM NO.	PART NO:
1994-2003	All Models	Binary Switch – Normally Open, M10 Female thread	A22-43249-000, ABPN83-318179	<b>650870</b>
2000-2015	All Models	Binary Switch, Normally Closed, M10 Thread	22-51296-000	<b>1000345640</b>
2003-2011	Classic	Control Switch – Temperature Probe Sensor, 2 Terminal	BOA91619	<b>1000039701</b>
<b>COLUMBIA</b>				
1997-2004	C112, C120	High Pressure – Normally Closed, APads M10 Thread	8040279P, 223162	<b>650419</b>
1997-2015	All Models	High Pressure – Fan Coupling, Normally Closed M10 Female	A22-45194-001	<b>651332</b>
2000-2015	Columbia	Binary Switch – Normally Closed, M10 Fitting	22-51296-000	<b>1000345640</b>
2003-2015	Columbia	Control Switch – Temperature Probe Sensor, 2 Terminal	BOA91619	<b>1000039701</b>
2003-2015	All Models	Control Switch – Temperature Probe Sensor, 2 Terminal	BOA91619	<b>1000039701</b>
<b>CORONADO</b>				
2000-2015	All Models	Binary Switch, Normally Closed, M10 Thread	22-51296-000	<b>1000345640</b>
2003-2015	All Models	High Pressure – Fan Coupling, Normally Closed M10 Female	A22-45194-001	<b>651332</b>
<b>FL50, 60, 70</b>				
1994-1998	All Models	Binary Switch – R12 Normally Open, Female 1/4" thread	A22-36474	<b>650869</b>
1994-2003	All Models	Binary Switch – Normally Open, M10 Female thread	A22-43249-000	<b>650870</b>
1994-2003	All Models	Low Pressure – Normally Open, 2 Spade, 3/8"-24 male Thread	085108-00	<b>B404097</b>
1994-2012	All Models	High Pressure – Fan Coupling, Normally Closed M10 Female	A22-45194-001	<b>651332</b>
2000-2015	All Models	Binary switch – Normally Closed, M10 Threads	22-51296-000	<b>1000345640</b>
<b>FLD SERIES</b>				
1990-1993	FLA, FLD	High Pressure – Normally Open, 300/210 with 1/4" Female Thread	BOA 80.926.00.091, 20PS39-36; 37	<b>B404122</b>
1991-1998	FLD	Binary Switch – Normally Open, 1/4" Female thread	A22-3647	<b>650869</b>
1991-1999	FDL112, 120	Low Pressure, Normally Open, opens 10 / closes 34 ; 1/4" Female Thread	ABPN83-318034	<b>1000948101</b>
1991-1999	FLD112, 120	Low Pressure, Normally Open, opens 10/closes 42 1/4" Thread	ABPN83-318034	<b>B404144</b>
1994-2003	FLA, FLD	High Pressure – Fan Coupling, Normally Closed M10 Female	A22-45194-001	<b>651332</b>
1994-2003	All Models	Binary Switch – Normally Open, M10 Female thread	A22-43249-000, ABPN83-318179	<b>650870</b>
2000-2015	All Models	Binary Switch, Normally Closed, M10 Thread	22-51296-000	<b>1000345640</b>

**SWITCHES - SENSOR**

YEAR	MODEL	DESCRIPTION	OEM NO.	PART NO:
<b>CORONADO</b>				
2003-2015	All Models	Control Switch – Temperature Probe Sensor, 2 Terminal	BOA91619	<b>1000039701</b>
<b>FLD SERIES</b>				
2003-2011	FLD	Control Switch – Temperature Probe Sensor, 2 Terminal	BOA91619	<b>1000039701</b>
2003-2015	All Models	Control Switch – Temperature Probe Sensor, 2 Terminal	BOA91619	<b>1000039701</b>



## SWITCHES - THERMOSTATIC

YEAR	MODEL	DESCRIPTION	OEM NO.	PART NO:
<b>BUSINESS CLASS M2 100 - 112V</b>				
2003-2008	All Models	Evaporator Probe, 2 Terminal	VCC83000036	<b>1000039702</b>
<b>CENTURY CLASS</b>				
1990-2010	All Models	Main Unit with pre-set (16" capillary tube)	BOA80-946-00-109, A630-008-00, A630-014-00, ABPN83 323000, BOA80 946 00 079, BOA80-946-109, MVA1-6291, MVA1-9224, BD1080, N31-1355-000, N83-323053, RD5-6429-0	<b>650511</b>
<b>COLUMBIA</b>				
1990-2010	All Models	Main Unit with pre-set (16" capillary tube)	BOA80-946-00-109, A630-008-00, A630-014-00, ABPN83 323000, BOA80 946 00 079, BOA80-946-109, MVA1-6291, MVA1-9224, BD1080, N31-1355-000, N83-323053, RD5-6429-0	<b>650511</b>
<b>CORONADO</b>				
1990-2010	All Models	Main Unit with pre-set (16" capillary tube)	BOA80-946-00-109, A630-008-00, A630-014-00, ABPN83 323000, BOA80 946 00 079, BOA80-946-109, MVA1-6291, MVA1-9224, BD1080, N31-1355-000, N83-323053, RD5-6429-0	<b>650511</b>
<b>FL50, 60, 70</b>				
1994-2002	FL Series	Thermostatic Switch, capillary length 16-1/2"	BO80-946-00-079	<b>650511</b>
<b>FLD SERIES</b>				
1973-1981	FLT, FLP	Knob Type (with 36" capillary tube)	BD1035, RD4125-48, MVA1-4185	<b>650649</b>
1976-1988	FLC, FLT	All Models with rotary t/stat (48" capillary tube)	BD1035, RD4125-48	<b>650649</b>
1990-2010	All Models	Main Unit with pre-set (16" capillary tube)	BOA80-946-00-109, A630-008-00, A630-014-00, ABPN83 323000, BOA80 946 00 079, BOA80-946-109, MVA1-6291, MVA1-9224, BD1080, N31-1355-000, N83-323053, RD5-6429-0	<b>650511</b>
<b>WFT SERIES</b>				
1973-1981	WFT	Knob Type (with 36" capillary tube)	BD1035, RD4125-48, MVA1-4185	<b>650649</b>

## SWITCHES

YEAR	MODEL	DESCRIPTION	OEM NO.	PART NO:
<b>ALL OTHER MODELS</b>				
All	All Models	Aristo-Aire BCY1	A22-24895-000, ARS809-0006-000	<b>589910</b>

## WATER VALVES

YEAR	MODEL	DESCRIPTION	OEM NO.	PART NO:
<b>CENTURY CLASS</b>				



800.499.6849 • shop.bergstrominc.com

17

1

MED/HEAVY DUTY APPS

**Freightliner****WATER VALVES**

YEAR	MODEL	DESCRIPTION	OEM NO.	PART NO:
1996-2002	C112, C120	Electric Heater Valve 5/8" x 3/4"	A22-52101-000	<b>869595</b>
1996-2003	C112, C120	Cable Operated Heater Valve-pull to open	A22-44553-000, 173119, 173133, MVA1-6296, RD 5-8943-0	<b>1000373395</b>
<b>CLASSIC XL</b>				
1991-2010	All Models	Cable Operated Heater Valve-pull to open	A22-44553-000, 173119, 173133, MVA1-6296, RD 5-8943-0, BOA80-101-00-119	<b>1000373395</b>
<b>CORONADO</b>				
1991-2010	All Models	Cable Operated Heater Valve-pull to open	A22-44553-000, 173119, 173133, MVA1-6296, RD 5-8943-0, BOA80-101-00-119	<b>1000373395</b>
<b>FLD SERIES</b>				
1991-2010	All Models	Cable Operated Heater Valve-pull to open	A22-44553-000, 173119, 173133, MVA1-6296, RD 5-8943-0, BOA80-101-00-119	<b>1000373395</b>
1992-1999	FL-50-80, MB70, FL106/112	with Kysor Valve ( Cable Operated 5/8" x 5/8")	173144	<b>1000348350</b>
1992-1999	FLL, FLB, FL50 - FL112	Cable Operated Heater Valve - pull to open	MA1425	<b>1000348350</b>
1992-2001	FLL, FLB, FL50 - FL 112	Cable Operated Heater Valve-pull to open	RDH RD58935-0	<b>1000347338</b>
1996-1997	FL106	Calbe Operated Heater Valve	RDH RD58935-0	<b>1000347338</b>

## AIR FILTERS

YEAR	MODEL	DESCRIPTION	OEM NO.	PART NO:
<b>4000 SERIES (DURASTAR)</b>				
1990-2000	4070A, 4070B	15" x 10-3/4" x 1" 480836-C1	480836-C1	530633
<b>8000 SERIES (TRANSTAR)</b>				
1995-2005	8000	10" x 13-5/8" x 1/2" with A/C & heater intake	1699956-C1	525543
<b>9000 – 9900I, IX, EAGLE</b>				
1997-2000	9200,9400, 9800	12" x 11" x 1/2" with A/C & heater intake	696834-C1	525403
<b>ALL OTHER MODELS</b>				
1982-2000	All Models	12-1/2" x 13-1/2" x 1/2"	498144-C1	520217
1990-2000	All Models	12-1/2" x 13-1/2" x 1/2"	498144-C1	520217
1995-2015	All Models	10" x 13-5/8" x 1/2"	1699956-C1, IN9501P	525543
2000-2010	All Models	12-1/2" x 7-1/4" x 1"	2506656-C	1000841164
2000-2011	All Models	12" x 6-1/4" x 1/4" (white paper)	3839141-C1	1000841699

## BLOWER MOTORS

YEAR	MODEL	DESCRIPTION	OEM NO.	PART NO:
<b>2000 SERIES</b>				
1974-1981	2010,2050	All Fleetstar Models withoute Blower Motor	345511-C92	203156
1988-2001	2000	All with flange type motor, Heavy Duty,	1699291-C1	890063
1988-2001	2000	All with HD flange motor with wire harness, premium grade	2500485-C1	890063
<b>4000 SERIES (DURASTAR)</b>				
1974-1989	4070A	All Models with Kysor rooftop unit	HA1010	203168
1978-1984	4070A, 4070B	All transfer with 3" motor, CCW, Side mount	488831-C1	B275141
1978-1985	4070A, 4070B	All transfer with 3" motor, CW motor, floor mount	HA1135	203249
1988-1994	All Models	All Models with flange type motor, standard duty	1669786-C1	890063
1988-1996	All Models	All Models with flange type motor, long life,	1669779-C1	890063
1988-2002	All Models	All with HD flange motor with wire harness, premium grade	2500485-C1	890063
1990-1994	All Models	Blower Motor All with flange type motor, long life	1669786-C1	203156
1990-1996	All Models	Blower Motor All with flange type motor, long life	1669779-C1	203156
1997-2002	All Models	All with flange type motor, heavy duty	1699291-C1	890063
2003-2007	All Models	All Models Fan with wheel	3542611-C2	890099
2011-2015	All Models	Blower Motor Assembly with wheels	26025702-C91	1000427320
<b>5000, 5000I SERIES (PAYSTAR)</b>				
1978-1993	All Models	All Models with floor mounted Blower Motor	421844-C1	203249
1982-1991	All Models	All with IHC heater model (488891C97)floor mounted motor	488842-C91, 488832-C1	203249
1982-1991	All Models	All with IHC heater model (488891C97)side mounted motor	488843-C91	B275141
1986-1993	All Models	All Models with side mounted Blower Motor	421843-C1	B275141
1988-1994	All Models	All Models with flange type motor, Standard Duty	1669786-C1	1001266966
1988-1996	All Models	All Models with flange type motor, long life,	1669779-C	1001266966
1988-1999	All Models	All with HD flange motor with wire harness, premium grade	2500485-C1	890063
1990-1991	All Models	All with IHC heater model (488891C97) side mounted motor	488843-C91	B275141
1990-1993	All Models	All Models with side mounted Blower Motor	421843-C1	B275141
1990-1994	All Models	Blower Motor all with Flange type motor, long life	1669786-C1	203156
1990-1996	All Models	Blower Motor all with Flange type motor, long life	1669779-C1	203156
1997-2006	All Models	with flange type motor, Heavy Duty	1699291-C1	890063
2000-2015	5000, 5000i Series (PayStar)	Blower Motor Flange mount Heavy Duty version	1699949C1	203113
2000-2015	All Models	with flange type motor, Heavy Duty	1699949C1	203113



800.499.6849 • shop.bergstrominc.com

19

1

MED/HEAVY DUTY APPS

## International

### BLOWER MOTORS

YEAR	MODEL	DESCRIPTION	OEM NO.	PART NO:
<b>7000 SERIES (WORKSTAR)</b>				
1988-1996	All Models	All Models with flange type motor, long life,	1669786-C1	<b>1001266966</b>
1988-1999	All Models	All with HD flange motor with wire harness, premium grade	2500485-C1	<b>890063</b>
1990-1996	All Models	Blower Motor all with Flange type motor, long life	1669786-C1	<b>203156</b>
1997-2002	All Models	All Models with flange type motor, Heavy Duty	1699291-C1	<b>890063</b>
2003-2007	All Models	All with Fan with wheel	3542611-C2	<b>890099</b>
2008-2011	All Models	All Models Fan with wheel	3674285-C1	<b>1000477197</b>
2011-2015	All Models	Blower Motor Assembly with wheels	26025702-C91	<b>1000427320</b>
<b>8000 SERIES (TRANSTAR)</b>				
1988-1996	All Models	All Models with flange type motor, long life,	1669786-C1	<b>1001266966</b>
1988-1999	All Models	All with HD flange motor with wire harness, premium grade	2500485-C1	<b>890063</b>
1990-1996	All Models	Blower Motor All with Flange type motor, long life	1669786-C1	<b>203156</b>
1997-2002	All Models	All Models with flange type motor, Heavy Duty,	1699291-C1	<b>890063</b>
2003-2007	All Models	All with Fan with wheel	3542611-C2	<b>890099</b>
2008-2011	All Models	All Models Fan with wheel	3674285-C1	<b>1000477197</b>
2011-2015	All Models	Blower Motor Assembly with wheels	26025702-C91	<b>1000427320</b>
<b>9000 – 9900I, IX, EAGLE</b>				
1988-1996	9000	All Models with flange type motor, long life	1669779-C1	<b>1001266966</b>
1988-1999	All Models	All with HD flange motor with wire harness, premium grade	2500485-C1	<b>890063</b>
1990-1994	9000	Blower Motor all with flange type motor, long life	1669786-C1	<b>203156</b>
1990-1996	9000	Blower Motor all with flange type motor, long life	1669779-C	<b>203156</b>
1997	Pro Sleeper	Blower Motor flange mount Heavy Duty version	1699949-C1	<b>203113</b>
1999-2015	All Models	Blower Motor flange mount Heavy Duty version	1699949C1	<b>203113</b>
<b>LONESTAR</b>				
2009-2012	All Models	Main Cab; Fan with Wheel	3674285-C1	<b>1000477197</b>
2012-2015	All Models	Blower Motor Assembly with wheels	2602570-C91, 2602570-C92, 3839363-C91, 3839363-C92	<b>1000427320</b>
<b>PROSTAR</b>				
2007-2010	Prostar	Main Cab; Fan with Wheel	3542611-C2	<b>890099</b>
2007-2010	Prostar	Auxiliary (Sleeper)	3599581-C2	<b>1000477193</b>
2009-2012	All Models	Main Cab; Fan with Wheel	3674285-C1	<b>1000477197</b>
2012-2015	All Models	Blower Motor Assembly with wheels	2602570-C91, 2602570-C92, 3839363-C91, 3839363-C92	<b>1000427320</b>
<b>TERRASTAR (CLASS 4/5)</b>				
2012-2015	All Models	Blower Motor Assembly with wheels	26025702-C91, 26025702-C92	<b>1000427320</b>
2012-2015	All Models	Blower Motor Assembly with wheels	2602570-C91, 2602570-C92, 3839363-C91, 3839363-C92	<b>1000427320</b>

### BLOWER WHEELS

YEAR	MODEL	DESCRIPTION	OEM NO.	PART NO:
<b>5000, 5000I SERIES (PAYSTAR)</b>				
1997-2015	5000	Blower Wheel (Main and Sleeper) with 6" Diameter, CCW, Plastic	1699947-C1	<b>510027</b>

**BLOWER WHEELS**

YEAR	MODEL	DESCRIPTION	OEM NO.	PART NO:
<b>9000 – 9900I, IX, EAGLE</b>				
1997-2002	9000 Series	Blower Wheel (Main and Sleeper) with 6" Diameter, CCW, Plastic	1699947-C1, BSM 510027	<b>510027</b>
1997-2015	9000	Blower Wheel (Main and Sleeper) with 6" Diameter, CCW, Plastic	1699947-C1	<b>510027</b>
<b>ALL OTHER MODELS</b>				
2001-2015	All Models	Blower Wheel (Main and Sleeper) with 6" Diameter, CCW, Plastic	1699947-C1	<b>510027</b>
All	All Models	Blower Wheel, reversible	1691701-C1	<b>529800</b>

**CLUTCHES**

YEAR	MODEL	DESCRIPTION	OEM NO.	PART NO:
<b>ALL OTHER MODELS WITH YORK/T/CCI - STYLE COMPRESSOR</b>				
All	All Models	1 groove 6" Diameter 1 wire with 2-11/16" mounting dist; with 5/8" belt groove	2016403-C1, 2016403-C2, 14196, 2597641-C91, 515528	<b>650547</b>
All	All Models	2 groove 6" Diameter 1 wire, with diode & Weatherpack	024-21590, 1647566C91, 165129C91, 1-1566, 14192, 501939, ZGG11566	<b>1000139242</b>
All	All Models	1 groove 6" Diameter 1 wire with 2-11/16" mounting dist; with 1/2" belt groove	14190, 481800-C91, 502409, ZGG12141	<b>650487</b>

**CONDENSERS**

YEAR	MODEL	DESCRIPTION	OEM NO.	PART NO:
<b>1000 SERIES (FORWARD CONTROL)</b>				
1993-2002	1552, 1652	All Models with R134a	1667340-C5	<b>1000625201</b>
1993-2002	1652	All Models with 7.3L engine, R134a	2000655-C1	<b>1000625142</b>
<b>2000 SERIES</b>				
1993-2002	2500, 2600	Condenser All (exc. DTA466) with R134a System	1675462-C2	<b>1000699299</b>
1995-2002	2000	All 2000 Models	2004801-C3	<b>1000699309</b>
<b>4000 SERIES (DURASTAR)</b>				
1990-1994	4700-4900	All with DT466 & DT360 engine	1667340-C5	<b>1000625201</b>
1993-1999	4600-4900	(with DTA360/466) with R134a system (exc. S/N 12851)	1667340-C5	<b>1000625201</b>
1993-2002	4600-4900	4600-4900 (with 7.3 L engine) R134a	2000655-C1	<b>1000625142</b>
2002-2007	All Models	All with (2) Separate Connections	1E5001, 2507482-C91, C94	<b>1000625337</b>
2003-2007	All Models	Condenser Coil, 24-21/64" x 21-23/64" x 5/8"	1E5633, 2505650-C92, 2586812-C93	<b>160198</b>
2012-2015	All Models	All	2601796-C91	<b>1000699299</b>
<b>5000, 5000I SERIES (PAYSTAR)</b>				
1983-1991	5000	SBA with Cummins L10/88NT (Before 1/15/91)	483479-C1	<b>1000699299</b>
1992-1996	5000	Condenser All (exc. BC III) with R134a System	1675462-C1	<b>1000699299</b>
2006-2007	All Models	with 20-1/8" x 23-5/8" x 5/8" Pad fittings	2585373-C2	<b>1000617204</b>
2008-2012	All Models	with 15-3/4" x 32-3/4" x 5/8"	2591621-C91	<b>1000305619</b>
<b>7000 SERIES (WORKSTAR)</b>				
2001-2007	All Models	All with (2) Separate Connections	1E5001, 2507482-C91	<b>1000625337</b>
2001-2007	All Models	Condenser Coil, 24-21/64" x 21-23/64" x 5/8"	1E563, 2505650-C92, 2586812-C91, 3548907-F93	<b>160198</b>
2008-2011	All Models	with 15-3/4" x 32-3/4" x 5/8" Pad fittings	2591621-C91	<b>1000305619</b>



800.499.6849 • shop.bergstrominc.com

21

1

MED/HEAVY DUTY APPS

## International

### CONDENSERS

YEAR	MODEL	DESCRIPTION	OEM NO.	PART NO:
<b>8000 SERIES (TRANSTAR)</b>				
1989-1993	8100	with Cummins L10, Cat 3176 (7100 Series with DT466)	1667340-C4,1-5759	<b>1000625201</b>
1990-1993	8300	with Cummins L10, 88NT, Cat 3176/3406; and Cummins N14 (Before 1/15/91) (exc. 134a)	483479-C1, ZGG15998	<b>1000699299</b>
1993-2000	8000	All 8200, 8300 Models with R134a	1675462-C2	<b>1000699299</b>
1995-2000	8000	All Models	2004801-C3	<b>1000699309</b>
2001-2007	All Models	All with (2) Separate Connections	1E5001, 2507482-C91	<b>1000625337</b>
2001-2007	All Models	Condenser Coil, 24-21/64" x 21-23/64" x 5/8"	1E563, 2505650-C92, 2586812-C91, 3548907-F93	<b>160198</b>
2008-2011	All Models	with 15-3/4" x 32-3/4" x 5/8" Pad fittings	2591621-C91	<b>1000305619</b>
<b>9000 – 9900I, IX, EAGLE</b>				
1992-2000	9000	9400 Models with R134a	1675462-C2	<b>1000699299</b>
1993-1999	9000	9200 with R134a System	2004801-C1	<b>1000699309</b>
1993-1999	9000	9300 with R134a System	2009378-C1	<b>160041</b>
1995-2000	9000	9200 with R134a	2004801-C3	<b>1000699309</b>
1999-2002	9000	with 20" x 33-3/4" x 7/8" MIO Fittings	3504377-C1	<b>1000617180</b>
2000-2008	All Models	All with (2) Separate Connections	1E5001, 2507482-C91	<b>1000625337</b>
2001-2007	All Models	with 20-1/8" x 23-5/8" x 5/8" Pad fittings	2585373-C2	<b>1000617204</b>
2008-2012	All Models	with 32"x16"x3/4" Pad fittings	2591836-C91	<b>1000305619</b>
<b>LONESTAR</b>				
2010-2011	All Models	with 32"x16"x3/4" Pad fittings	2591836-C91	<b>1000305619</b>
2010-2012	All Models	with 32-3/4" x 15-3/4" x 5/8" Pad fittings	2591621-C91	<b>1000305619</b>
<b>PROSTAR</b>				
2007-2009	ProStar	with 32-3/4" x 15-3/4" x 5/8" Pad fittings	2591621-C91	<b>1000305619</b>
2010-2011	All Models	with 32"x16"x3/4" Pad fittings	2591836-C91	<b>1000305619</b>
2010-2012	All Models	with 32-3/4" x 15-3/4" x 5/8" Pad fittings	2591621-C91	<b>1000305619</b>

### EVAPORATORS

YEAR	MODEL	DESCRIPTION	OEM NO.	PART NO:
<b>4000 SERIES (DURASTAR)</b>				
2008-2011	All Models	Main Cab 6-5/8" x 12-1/16" x 2-5/8" with Behr A/C	3670132-C1	<b>1000477479</b>
2011-2015	All Models	Evaporator Coil, 11" x 7" x 2-3/8"	2602571-C91	<b>1000431925</b>
<b>5000, 5000I SERIES (PAYSTAR)</b>				
2000-2012	All Models	Evaporator Coil with 10" x 13" x 2-5/8"	1699950-C1	<b>151346</b>
<b>7000 SERIES (WORKSTAR)</b>				
2008-2011	All Models	Main Cab 6-5/8" x 12-1/16" x 2-5/8" with Behr A/C	3670132-C1	<b>1000477479</b>
2011-2015	All Models	Evaporator Coil, 11" x 7" x 2-3/8"	2602571-C91	<b>1000431925</b>
<b>8000 SERIES (TRANSTAR)</b>				
2008-2011	All Models	Main Cab 6-5/8" x 12-1/16" x 2-5/8" with Behr A/C	3670132-C1	<b>1000477479</b>
2011-2015	All Models	Evaporator Coil, 11" x 7" x 2-3/8"	2602571-C91	<b>1000431925</b>
<b>9000 – 9900I, IX, EAGLE</b>				
1991-1998	9200 – 9800	Evaporator Coil with 10" x 13" x 2-5/8"	1699950-C1	<b>151346</b>
1998-2012	9200 – 9900	Evaporator Coil with 10" x 13" x 2-5/8"	1699950-C1	<b>151346</b>
<b>LONESTAR</b>				
2007-2012	All Models	Main Cab 6-5/8" x 12-1/16" x 2-5/8" with Behr A/C #8 #10 Bead Ends – Plate & Fin	3670132-C1, 3670125-C91	<b>1000477479</b>
2011-2015	All Models	Evaporator Coil, 11" x 7" x 2-3/8"	2602571-C91	<b>1000431925</b>
<b>PROSTAR</b>				
2007-2012	All Models	Main Cab 6-5/8" x 12-1/16" x 2-5/8" with Behr A/C #8 #10 Bead Ends – Plate & Fin	3670132-C1, 3670125-C91	<b>1000477479</b>

**EVAPORATORS**

YEAR	MODEL	DESCRIPTION	OEM NO.	PART NO:
2011-2015	All Models	Evaporator Coil, 11" x 7" x 2-3/8"	2602571-C91	<b>1000431925</b>
<b>TERRASTAR (CLASS 4/5)</b>				
2011-2015	All Models	Evaporator Coil, 11" x 7" x 2-3/8"	2602571-C91	<b>1000431925</b>

**EXPANSION VALVES AND ORIFICE TUBES**

YEAR	MODEL	DESCRIPTION	OEM NO.	PART NO:
<b>2000 SERIES</b>				
1999-2001	2000	Expansion Valve (Block type) flange fittings All with Bergstrom System	1696846-C3	<b>1001443774</b>
1995-2000	2000	Expansion Valve (Block type) flange fittings All with Bergstrom System	1696846-C1, 1696846-C2	<b>1001443774</b>
1997-2001	All Models	All with Main Unit with flange type block valve	2503783-C91	<b>1001443774</b>
1999-2001	2000	All with Main Unit with flange type block valve	1696846-C3	<b>1001443774</b>
2001-2002	All Models	Orifice Tube (purple) with green HNBR, O-rings	3548044-C1, 3542578-C2	<b>540364</b>
2001-2002	All Models	with Orifice Tube (purple) Replacement Inlet Tube (uses#1662 not included)	3548044-C1, BOA80-305-00-949	<b>540364</b>
<b>4000 SERIES (DURASTAR)</b>				
1990-2000	4000	Expansion Valve (Right Angle type) All with externally equalized without O-ring fitting	1691469-C2	<b>1001443777</b>
1991-1994	4600 – 4900	Expansion Valve (Right Angle type) All with externally equalized without O-ring fitting	1691469-C2	<b>1001443777</b>
1994-1998	4700	Expansion Valve (Block type) flange fittings All with Bergstrom System	1696846-C1, ZGG19276, 540044P, 1696846-C2, 1696846-C3, 1609	<b>1001443774</b>
1995-2001	4000	Expansion Valve (Block type) flange fittings All with Bergstrom System	2503783-C91, 1696846-C2, 1696846-C3	<b>1001443774</b>
2001-2008	All Models	with Orifice Tube (purple)	3548044-C1	<b>540364</b>
2009-2011	All Models	Block Valve, O-ring Type – 1-1/2 ton Rating	3660853-C2	<b>1000122061</b>
2010-2012	All Models	Block Valve	3857948-C1, 3857948-C2	<b>1000227147</b>
All	All Models	Replacement Inlet Tube (#1662 not included)	3542578-C2, BOA80-305-00-949	<b>551131</b>
<b>5000, 5000I SERIES (PAYSTAR)</b>				
1990-2000	5000	Expansion Valve (Right Angle type) All with externally equalized without O-ring fitting	1691469-C2	<b>1001443777</b>
1991-1992	5000	All with externally equalized without O-ring fitting	EA1410, 469475-C1, ZGG12029	<b>1001443777</b>
1997-1999	5000	Expansion Valve (Right Angle type) All with externally equalized without O-ring fitting	1691469-C2, 469475-C1, ZGG12029	<b>1001443777</b>
2001-2012	All Models	Expansion Valve Kit use #1612 with (2) bolts	1669955-C1, 2501794-C92, 2501794-C93	<b>1001443803</b>
<b>7000 SERIES (WORKSTAR)</b>				
1990-2000	7000	Expansion Valve (Right Angle type) All with externally equalized without O-ring fitting	1691469-C2	<b>1001443777</b>
2009-2011	All Models	Block Valve, O-ring Type – 1-1/2 ton Rating	3660853-C2	<b>1000122061</b>
<b>8000 SERIES (TRANSTAR)</b>				
1989-1993	8300	Sleeper Expansion Valve (Block Type)	1669337-C1	<b>1001443791</b>
1990-2000	8000	Expansion Valve (Right Angle type) All with externally equalized without O-ring fitting	1691469-C2	<b>1001443777</b>
1991-1992	8000 – 8300	Expansion Valve (Right Angle type) All with externally equalized without O-ring fitting	1691469-C2	<b>1001443777</b>
1995-2000	8000	Expansion Valve (Block type) flange fittings All with Bergstrom System	1696846-C2	<b>1001443774</b>
1997-2001	8000	All with Main Unit with flange type block valve	2503783-C91	<b>1001443774</b>
1999-2000	8000	Expansion Valve (Block type) flange fittings All with Bergstrom System	1696846-C3	<b>1001443774</b>



800.499.6849 • shop.bergstrominc.com

23

1

MED/HEAVY DUTY APPS

## International

### EXPANSION VALVES AND ORIFICE TUBES

YEAR	MODEL	DESCRIPTION	OEM NO.	PART NO:
2001-2008	8000	with Orifice Tube (purple) Replacement Inlet Tube (uses # 2001062 not included)	3548044-C1, 3542578-C2	<b>540364</b>
2009-2011	All Models	Block Valve, O-ring Type – 1-1/2 ton Rating	3660853-C2	<b>1000122061</b>
<b>9000 – 9900I, IX, EAGLE</b>				
1990-1993	9300, 9400, 9600, 9700	All Models with externally equalized without O-ring fitting	469475-C1, ZGG12029	<b>1001443777</b>
1990-2000	9000	Expansion Valve (Right Angle type) All with externally equalized without O-ring fitting	1691469-C2	<b>1001443777</b>
1991-1996	9000 – 9700	Expansion Valve (Right Angle type) All with externally equalized without O-ring fitting	1691469-C2	<b>1001443777</b>
1997-1999	9100 – 9400	Expansion Valve (Right Angle type) All with externally equalized without O-ring fitting	1691469-C2	<b>1001443777</b>
2001-2008	All Models	with Orifice Tube (purple) Replacement Inlet Tube (uses#1662 not included)	3548044-C1, 3542578-C2	<b>540364</b>
2001-2013	All Models	Block Type M10, M12 Ports - 2 ton Rating, Expansion Valve Kit use #1612 with (2) bolts	1669955-C1	<b>1001443803</b>
<b>ALL OTHER MODELS</b>				
All	All Models	Bolts used for bracket #0134B	1696859C1, 3599587-C1	<b>600121</b>
All	All Models	All Block Type	3688242-C2	<b>1000293541</b>
<b>LONESTAR</b>				
2007-2011	All Models	REar Auxiliary	BOA96398, 3613243-C91, 3599589-C1	<b>1000477644</b>
2007-2012	All Models	Front Main Cab	3660853-C2, BOA96398, 3613243-C91, 3599589-C1	<b>1000122061</b>
2007-2012	All Models	Front Main Cab	3660853-C2	<b>1001443794</b>
<b>PROSTAR</b>				
2007-2012	All Models	Front Main Cab	3660853-C2	<b>1001443794</b>
2007-2011	All Models	REar Auxiliary	BOA96398, 3613243-C91, 3599589-C1	<b>1000477644</b>
2007-2012	All Models	Front Main Cab	3660853-C2, BOA96398, 3613243-C91, 3599589-C1	<b>1000122061</b>
<b>TERRASTAR (CLASS 4/5)</b>				
2012-2015	All Models	Block Pad Mount, 2 ton #8 #10	3660855-C1	<b>1000227147</b>

### HEATER CORES

YEAR	MODEL	DESCRIPTION	OEM NO.	PART NO:
<b>2000 SERIES</b>				
1995-2002	2000	All Main Unit	1696843-C1	<b>108269</b>
<b>4000 SERIES (DURASTAR)</b>				
1991-1994	4000	All 4600, 4900 Models	474030-C2	<b>108245</b>
1995-2002	4000	All 4600, 4900 Models	1696843-C1	<b>108269</b>
1995-2011	4000	All	3542604-C2, 3542604-C3, BOA85-471-77-009	<b>108409</b>
2012-2015	4000	All	2602575-C91, 3839270-C1	<b>1000168713</b>
<b>5000, 5000I SERIES (PAYSTAR)</b>				
1982-2001	All Models	All	501099-C91	<b>108240</b>
1993-1994	5000	All 5000 Models	474030-C2	<b>108245</b>
2000-2012	All Models	Main 9-1/8" x 10" x 5/8"; OUT 3/4"	2594124-C1, 2593489-C1	<b>108612</b>
2013-2015	All Models	All	2612565-C1	<b>1000299598</b>



## HEATER CORES

YEAR	MODEL	DESCRIPTION	OEM NO.	PART NO:
<b>7000 SERIES (WORKSTAR)</b>				
1995-2011	All Models	All	3542604-C2, 3542604-C3, BOA85-471-77-009	<b>108409</b>
2012-2015	All Models	All	2602575-C91, 3729426-C1	<b>1000168713</b>
<b>8000 SERIES (TRANSTAR)</b>				
1991-1994	8000-8300	All Main Unit	474030-C2	<b>108245</b>
1991-2002	8000-8300	All Main Unit	1696843-C1	<b>108269</b>
1995-2011	All Models	All	3542604-C2, 3542604-C3, BOA85-471-77-009	<b>108409</b>
2012-2015	All Models	All	2602575-C91, 3729426-C1	<b>1000168713</b>
<b>9000 – 9900I, IX, EAGLE</b>				
1982-2001	9100-9900	All	501099-C91	<b>108240</b>
1993-1994	9200-9700	All 9200-9700 Models with OE	474030-C2	<b>108245</b>
2000-2012	All Models	Main 9-1/8" x 10" x 5/8"; OUT 3/4"	2594124-C1, 2593489-C1	<b>108612</b>
2013-2015	All Models	All	2612565-C1	<b>1000299598</b>
<b>LONESTAR</b>				
2010-2012	All Models	REar Auxiliary 10-3/8" x 6" x 1-5/8"	3599598-C1	<b>1000477648</b>
2012-2015	All Models	All	2602575-C91, 3729426-C1	<b>1000168713</b>
2010-2012	All Models	REar Auxiliary 10-3/8" x 6" x 1-5/8"	3599598-C1	<b>1000477648</b>
<b>PROSTAR</b>				
2012-2015	All Models	All	2602575-C91, 3729426-C1	<b>1000168713</b>
<b>TERRASTAR (CLASS 4/5)</b>				
2007-2012	All Models	Front Main Cab	3542604-C3	<b>108409</b>

## RECEIVER DRIERS/ACCUMULATORS

YEAR	MODEL	DESCRIPTION	OEM NO.	PART NO:
<b>2000 SERIES</b>				
1993-2002	2000	All Models with 3/8" x 11/16" female fitting with R134a port	2000821-C1	<b>1001450631</b>
<b>4000 SERIES (DURASTAR)</b>				
1993-2002	4000	All Models with 3/8" x 11/16" female fitting with R134a port	2000821-C1	<b>1001450631</b>
2001-2007	All Models	with Pad Mount Accumulator (uses #1400 sensor switch)	3542577-C2	<b>1001450636</b>
2007-2011	All Models	with Pad Mount Drier	3666273-C1	<b>1000477649</b>
2011-2015	All Models	with Pad Mount Accumulator	3839360-C92, 6102498-C1	<b>1001450661</b>
<b>5000, 5000I SERIES (PAYSTAR)</b>				
1993-2002	5000, 5000i Series (PayStar)	with 3/8" x 11/16" Female Fitting, 16mm Port, PRV	2000821-C1, 1-9056, 1693117-C1, BSM319370	<b>1001450631</b>
1993-2002	All Models	with 3/8" x 11/16" Female Fitting, 16mm Port, PRV	2000821-C1, 1693117-C1, BSM319370	<b>1001450631</b>
2001-2010	All Models	with Pad Mount Accumulator (uses #1400 sensor switch)	3542577-C2	<b>1001450636</b>
2003-2015	5000, 5000i Series (PayStar)	Receiver Drier 3"Diameter 10" length with 3/8" FMOR x 11/16" FMOR Fittings, 16mm R134a C.P.,with PRV,	1693117-C1	<b>1001450631</b>
<b>7000 SERIES (WORKSTAR)</b>				
2001-2007	All Models	with Pad Mount Accumulator	3542577-C2	<b>1001450636</b>



800.499.6849 • shop.bergstrominc.com

25

1

MED/HEAVY DUTY APPS

## International

### RECEIVER DRIERS/ACCUMULATORS

YEAR	MODEL	DESCRIPTION	OEM NO.	PART NO:
2007-2010	All Models	with Pad Mount Drier	3666273-C1	1000477649
2011-2013	All Models	with Pad Mount Accumulator	3839360-C92	1001450661
<b>8000 SERIES (TRANSTAR)</b>				
1993-2002	8000	All Models with 3/8" x 11/16" female fitting with R134a port	2000821-C1	1001450631
2001-2007	All Models	with Pad Mount Accumulator	3542577-C2	1001450636
2007-2010	All Models	with Pad Mount Drier	3666273-C1	1000477649
2011-2013	All Models	with Pad Mount Accumulator	3839360-C92	1001450661
<b>9000 – 9900I, IX, EAGLE</b>				
1993-2015	9000 – 9900i, ix, Eagle	Receiver Drier 3"Diameter 10" length with 3/8" FMOR x 11/16" FMOR Fittings, 16mm R134a C.P., with PRV, OE 1693117-C1	1693117-C1, 2000821-C1	1001450631
2003-2010	All Models	with Pad Mount Accumulator (uses #1400 sensor switch)	3542577-C2	1001450636
2008-2010	All Models	with Pad Mount Drier	3666273-C1	1000477649
All	All Models	with Quick Disconnect drier, R134a, with 2 M10 ports	2004050-C1	1001450386
<b>LONESTAR</b>				
2007-2010	All Models	with Pad Mount Drier	3666273-C1	1000477649
<b>PROSTAR</b>				
2007-2010	All Models	with Pad Mount Drier	3666273-C1	1000477649
<b>TERRASTAR (CLASS 4/5)</b>				
2012-2015	All Models	with Pad Mount Accumulator	3839360-C92, 6102498-C91, 3839316-C1	1001450661
2012-2015	All Models	with Pad Mount Accumulator	6102499-C91, 6102500-C91, 3843558-C92	1000812426

### RELAYS

YEAR	MODEL	DESCRIPTION	OEM NO.	PART NO:
<b>ALL OTHER MODELS</b>				
1986-1993	All Models	All Models with Kysor A/C (mini relay)	ZGG16520	651150
All	All Models	20/10 amp. 5 terminal, Normally closed 12V	3685801-C1	652541
All	All Models	40/30 amp. 5 terminal, with diode 12V	2012557-C1	651459
All	All Models	40/30 amp. 5 terminal, with diode 12V	2012557-C1	650731

### RESISTORS

YEAR	MODEL	DESCRIPTION	OEM NO.	PART NO:
<b>4000 SERIES (DURASTAR)</b>				
1974-1991	All Models	All 4070, 4200, 4300	506552-C1, BSM321010, ZGG14512	650177
1991-2002	All Models	All with 3 speed 3 terminal resistor	1696836-C1, 650179	650179
1997-2002	All Models	with 3 speed resistor	2500918-C1	650477
1997-2002	All Models	with 3 speed resistor	2500918-C1	650441
2002-2007	All Models	Blower Resistor 5 Terminal	3562102-C1	651186
<b>5000, 5000I SERIES (PAYSTAR)</b>				
1983-1993	5000	All Models	506552-C1, ZGG14512	650177
1996-2000	5000	All with 3 speed resistor	2500918-C1	650477
1996-2000	5000	All with 3 speed resistor	2500918-C1	650441
2000-2015	5000	with 4 speed; 4 terminal resistor	2503727-C1	650475
2002-2007	All Models	Blower Resistor 5 Terminal	3562102-C1	651186
2007-2010	All Models	Resistor – LPM Module	3626414-C1	1000555432

**RESISTORS**

YEAR	MODEL	DESCRIPTION	OEM NO.	PART NO:
<b>7000 SERIES (WORKSTAR)</b>				
2002-2007	7000	Blower Resistor 5 terminal	3562102-C1	<b>651186</b>
<b>8000 SERIES (TRANSTAR)</b>				
1977-1993	8300	All Models with sleeper resistor	RD5-36470, 1669332-C1	<b>650441</b>
1990-1993	8000	All with 3 speed resistor; 4 Terminal	506552-C1, BSM321010, ZGG14512	<b>650177</b>
2002-2007	8000	Blower Resistor 5 terminal	3562102-C1	<b>651186</b>
<b>9000 – 9900I, IX, EAGLE</b>				
1982-2000	9000	All 9200-9800 with 3 speed resistor; 4 terminal	506552-C1, BSM321010	<b>650477</b>
1996-2000	9000i	All with 3 speed resistor	2500918-C1	<b>650477</b>
1996-2000	9000i	All with 3 speed resistor	2500918-C1	<b>650441</b>
2000-2015	All Models	with 4 speed; 4 terminal resistor	2503727-C1	<b>1000925735</b>
2000-2015	All Models	with 4 speed; 4 Terminal resistor	2503727-C1	<b>650475</b>
2002-2007	All Models	Blower Resistor 5 Terminal	3562102-C1	<b>651186</b>
2007-2010	All Models	Resistor – LPM Module	3626414-C1	<b>1000555432</b>
<b>ALL OTHER MODELS</b>				
All	All Models	with 3 speed resistor; 4 terminal	469458-C1, ZGG14611	<b>650477</b>
All	All Models	Blower Resistor with 3 terminal	1669332-C1	<b>650441</b>
<b>LONESTAR</b>				
2007-2013	All Models	Resistor – LinEar Power Module (LPM)	3626414-C1	<b>1000555432</b>
All	All Models	with 3 speed resistor; 4 Terminal	469458-C1, ZGG14611	<b>650177</b>
All	All Models	Blower Resistor with 3 Terminal	RD5-36470, 1669332-C1, 2500918-C1	<b>650441</b>
<b>PROSTAR</b>				
2007-2013	All Models	Resistor – LinEar Power Module (LPM)	3626414-C1	<b>1000555432</b>
All	All Models	with 3 speed resistor; 4 Terminal	469458-C1, ZGG14611	<b>650177</b>
All	All Models	Blower Resistor with 3 Terminal	RD5-36470, 1669332-C1, 2500918-C1	<b>650441</b>

**SEALS**

YEAR	MODEL	DESCRIPTION	OEM NO.	PART NO:
<b>ALL OTHER MODELS</b>				
All	Compressor Head	Suction O-ring for WG Head	3543728-C1	<b>580565</b>
All	Compressor Head	Discharge O-ring for WG Head	3543727-C1	<b>580553</b>
All	Compressor Head	Small Flange Gasket for WGA Head	3543881-C1	<b>1000417503</b>
All	Compressor Head	Large Flange Gasket for WGA Head	3543881-C1	<b>1000417507</b>

**SWITCHES - BLOWER**

YEAR	MODEL	DESCRIPTION	OEM NO.	PART NO:
<b>4000 SERIES (DURASTAR)</b>				
1974-1991	4000	4070, 4200, 4300 with toggle switch	434297-C1	<b>650871</b>
1990-1991	4000	4070, 4200, 4300 with toggle switch	434297-C1	<b>650607</b>
<b>8000 SERIES (TRANSTAR)</b>				
1977-1993	8000	Blower Switch 5 Terminal	472253-C1	<b>650606</b>
1990-1993	8000 Series (TranStar)	Blower Switch 5 Terminal, 3 Speed, Short Shaft, Universal 12V or 24V	1661420-C1, 1151	<b>B221181</b>
1990-1993	8300	Blower Switch Heater (Sleeper) DPDT 4 Terminal	1669348-C1	<b>B222013</b>
<b>9000 – 9900I, IX, EAGLE</b>				
1982-1993	9600,9700	Blower Fan Switch 10 terminal	501087-C3, 501087-C1, ZGG14469	<b>650607</b>
1982-2000	All Models	Blower Fan Switch 10 terminal	501087C3, ZGG14469	<b>650607</b>

800.499.6849 • [shop.bergstrominc.com](http://shop.bergstrominc.com)

27

1

MED/HEAVY DUTY APPS

**International****SWITCHES - BLOWER**

YEAR	MODEL	DESCRIPTION	OEM NO.	PART NO:
1990-1993	9600, 9700	Blower Fan Switch 10 Terminal	501087-C3, 501087-C1, ZGG14469	<b>650871</b>
1990-2000	All Models	Blower Fan Switch 10 Terminal	501087C3, ZGG14469	<b>650871</b>
1999-2008	9000 – 9900i, ix, Eagle	Blower Switch Universal 12V or 24V	1661420C1	<b>B221181</b>
<b>ALL OTHER MODELS</b>				
2001-2010	All other Models	Blower Switch Universal 12V or 24V	1661420-C1	<b>B221181</b>
All	All Models	Blower Heater Switch 5 terminal SPST	ZGG16523	<b>650438</b>
All	All Models	Blower Switch Universal 12V or 24V	INM2G754A	<b>B222975</b>
All	All Models	Blower Switch 4 terminal	434297-C1	<b>650871</b>
All	All Models	Blower Switch 4 Terminal	434297-C1	<b>650607</b>
<b>S-LINE</b>				
1977-1992	S-line	Blower Switch 5 Terminal	472253-C1, ZGG14512	<b>650606</b>
1990-1992	S-line	Blower Switch 5 Terminal, 3 Speed, Short Shaft, Universal 12V or 24V	1661420-C1, 1151	<b>B221181</b>

**SWITCHES - LPM**

YEAR	MODEL	DESCRIPTION	OEM NO.	PART NO:
<b>ALL OTHER MODELS</b>				
All	All Models	Control Module	3693481-C1, 3839275-C1	<b>1000624505</b>

**SWITCHES - PRESSURE**

YEAR	MODEL	DESCRIPTION	OEM NO.	PART NO:
<b>2000 SERIES</b>				
1977-1996	2000	Low Pressure, Normally Open, opens 10/closes 42 psi, 1/4" Thread	442183-C2	<b>1000948101</b>
1983-1996	2000	High Pressure – Normally Open, 1/4" Female, 250 /375 psi,	441821-C1	<b>B404121</b>
1989-1996	2000	All with preset switch 24" capillary tube	1664248-C1	<b>B404121</b>
1989-1996	2000	Low Pressure – Normally Closed, 30/7 psi 1/4" SAE	587977-C1	<b>B404123</b>
1990-1996	2000	Low Pressure – Normally Open, opens 10/closes 42psi, 1/4" Thread	442183-C2	<b>B404144</b>
<b>4000 SERIES (DURASTAR)</b>				
1974-1991	4070A/B, 4200	High Pressure - Normally Open, 1/4" Female, 250/375 psi	441821-C1	<b>B404121</b>
1974-1992	4070	High Pressure - Cycling Switch, Normally Closed, 300/210 psi	480869-C1	<b>650593</b>
1977-1996	4000	Low Pressure, Normally Open, 10/42 psi, 1/4" Thread.	544976-C1	<b>1000948101</b>
1990-1996	4000	Low Pressure – Normally Open, 10 /42 psi, 1/4" Thread	544976-C1	<b>B404144</b>
1991-2000	4600-4900	Switch High Pressure – Normally Open, M10 Thread, 2 pin (green)	1616787-C1, BSM318000	<b>1000250288</b>
1991-2000	4600-4900	Low Pressure – Normally Closed, 35/5psi	1676786-C1, BB1385, BSM318004	<b>1002044722</b>
1994-2010	All Models	All with preset switch 24" capillary tube	1699953-C1, 1664248-C1	<b>B404121</b>
2006-2010	All Models	Pressure - Transducer 3 Pin, M10 (Brown)	3546241-C1	<b>651187</b>
2006-2010	All Models	Switch High pressure – Normally Closed, 250/100 psi 1/4" Female	1651985-C1	<b>650594</b>
<b>5000, 5000I SERIES (PAYSTAR)</b>				
1977-1996	5000	Low Pressure, Normally Open, 10/42 psi, 1/4" Thread.	544976-C1	<b>1000948101</b>
1983-1993	5000	High Pressure - Normally Open, 1/4" Female, 250/375 psi,	442182-C1, ZGG14467, ZGG11856	<b>B404121</b>
1983-1993	5000	High Pressure - Cycling Switch, Normally Closed, 300/210 psi	480869-C1	<b>650593</b>

## SWITCHES - PRESSURE

YEAR	MODEL	DESCRIPTION	OEM NO.	PART NO:
1983-1996	5000	Low Pressure - Normally Closed, 30/7psi 1/4" SAE	587977-C1	650203
1989-1995	5000	All with preset switch 24" capillary tube	1664248-C1	B404121
1990-1996	5000	Low Pressure - Normally Closed, 30/7 psi 1/4" SAE	587977-C1	B404123
1990-1996	5000	Low Pressure - Normally Open, 10/42 psi, 1/4" Thread	544976-C1	B404144
1991-2015	All Models	High Pressure - Normally Open, M10 Thread, 2 pin (green)	1616787-C1, BSM318000	1000250288
1992-2011	All Models	Low Pressure - Normally Closed, 35/5psi	1676786-C1, BSM318004, BB1385	1002044722
1999-2010	All Models	All with preset switch 24" capillary tube	1699953-C1	B404121
2001-2011	All Models	Pressure, Transducer 3 Pin, M10 (Brown)	3546241-C1	651187
<b>7000 SERIES (WORKSTAR)</b>				
1977-1993	All Models	Low Pressure - Normally Closed, 30/7 psi 1/4" SAE	442183-C1	650203
1990-1998	7000	Switch High pressure - Normally Closed, 250/100 psi 1/4" Female	1651985-C1	650594
1990-1993	All Models	Low Pressure - Normally Closed, 30/ 7psi 1/4" SAE	442183-C1	B404123
1991-2011	7000	High Pressure - Normally Open, M10 Thread, 2 pin (green)	1616787-C	1000250288
1991-2011	7000	Low Pressure - Normally Closed, 35/5psi	1676786-C1	1002044722
1991-2011	All Models	Low Pressure - Normally Closed, 35/5 psi	1676786-C1, BSM318004, BB1385	1002044722
1997-2010	All Models	All with preset switch 24" capillary tube	1699953-C1	B404121
2001-2011	All Models	Pressure, Transducer 3 Pin, M10 (Brown)	3546241-C1	651187
2003-2010	All Models	All with preset switch 24" capillary tube	1699953-C1, 1664248-C1	B404121
<b>8000 SERIES (TRANSTAR)</b>				
1977-1993	All Models	Low Pressure - Normally Closed, 30/7 psi 1/4" SAE	442183-C1	650203
1990-1993	All Models	Low Pressure - Normally Closed, 30/ 7psi 1/4" SAE	442183-C1	B404123
1990-1998	8000	Switch High pressure - Normally Closed, 250/100 psi 1/4" Female	1651985-C1	650594
1991-2011	8000	High Pressure - Normally Open, M10 Thread, 2 pin (green)	1616787-C	1000250288
1991-2011	8000	Low Pressure - Normally Closed, 35/5psi	1676786-C1	1002044722
1991-2011	All Models	Low Pressure - Normally Closed, 35/5 psi	1676786-C1, BSM318004, BB1385	1002044722
1997-2010	All Models	All with preset switch 24" capillary tube	1699953-C1	B404121
2001-2011	All Models	Pressure, Transducer 3 Pin, M10 (Brown)	3546241-C1	651187
2003-2010	All Models	All with preset switch 24" capillary tube	1699953-C1, 1664248-C1	B404121
<b>9000 - 9900I, IX, EAGLE</b>				
1977-2000	9300, 9400	Low Pressure - Normally Closed, 30/7 psi 1/4" SAE	587977-C1, 442183-C2	650203
1982-1993	9600	High Pressure - Cycling Switch, Normally Closed, 300/210psi	480869-C1	650593
1990-1993	9300, 9400	High Pressure - Normally Open, 250/375 psi 1/4" SAE 441821-C1	441821-C1	B404121
1990-2000	9300, 9400	Low Pressure - Normally Closed, 30/ 7psi 1/4" SAE	587977-C1	B404123
1991-2011	All Models	Low Pressure - Normally Closed 35/5 psi	1676786-C1, BSM318004, BB1385	1002044722
1991-2015	All Models	High Pressure - Normally Open, M10 Thread, 2 pin (green)	1616787-C1	1000250288
1997-2002	All Models	Low Pressure - with APadS system, M12 Thread (sky blue)	2501257-C1	650479
<b>ALL OTHER MODELS</b>				
1993-1997	All Models	Low Pressure - Normally Closed, 1/4" Female (20PS40-3)	1661273-C1	650203
1994-2001	All Models	Low Pressure - with APadS system, M12 Thread (sky blue)	2501257C1	650479



1

MED/HEAVY DUTY APPS

**International****SWITCHES - PRESSURE**

YEAR	MODEL	DESCRIPTION	OEM NO.	PART NO.:
1998-2002	All Models	Low Pressure - with APadS System, Normally Closed without E"	1699310-C1	<b>650418</b>
All	All Models	High Pressure - Normally Open, 300/210 psi, 1/4" Female Thread	1514307-C1	<b>B404122</b>
All	All Models	High Pressure - Normally Closed, M10 Thread	2614390-C1	<b>1000250288</b>
<b>LONESTAR</b>				
2007-2009	All Models	Pressure Sensor - Transducer 3 Pin M10 Thread (brown)	3546241-C1	<b>651187</b>
2010-2015	All Models	Low Pressure	3839315-C1	<b>1000039701</b>
2010-2015	All Models	Low Pressure	3839315-C1	<b>1000250287</b>
<b>PROSTAR</b>				
2007-2009	All Models	Pressure Sensor - Transducer 3 Pin M10 Thread (brown)	3546241-C1	<b>651187</b>
2010-2015	All Models	Low Pressure	3839315-C1	<b>1000250287</b>
2010-2015	All Models	Low Pressure	3839315-C1	<b>1000039701</b>
<b>TERRASTAR (CLASS 4/5)</b>				
2010-2015	All Models	Low Pressure	3839315-C1	<b>1000039701</b>

**SWITCHES - SENSOR**

YEAR	MODEL	DESCRIPTION	OEM NO.	PART NO.:
<b>LONESTAR</b>				
2007-2010	All Models	Sensor, Temperature 2 pin	3599601-C1	<b>1000477653</b>
<b>PROSTAR</b>				
2007-2010	All Models	Sensor, Temperature 2 pin	3599601-C1	<b>1000477653</b>

**SWITCHES - THERMISTER**

YEAR	MODEL	DESCRIPTION	OEM NO.	PART NO.:
<b>4000 SERIES (DURASTAR)</b>				
2001-2013	All Models	HVAC Thermistor Sensor; M12 Threads (use #1544 Harness)	3548043-C1, 3622764-C1	<b>651184</b>
<b>7000 SERIES (WORKSTAR)</b>				
2010-2012	All Models	Freon Thermistor Sensor; M12 Threads	3548043-C1	<b>651184</b>
2001-2013	All Models	HVAC Thermistor Sensor; M12 Threads (use #1544 Harness)	3622764-C1	<b>651184</b>
<b>8000 SERIES (TRANSTAR)</b>				
2010-2012	All Models	Freon Thermistor Sensor; M12 Threads	3548043-C1	<b>651184</b>
2001-2013	All Models	HVAC Thermistor Sensor; M12 Threads (use #1544 Harness)	3622764-C1	<b>651184</b>
<b>LONESTAR</b>				
2007-2011	All Models	HVAC Thermistor Sensor; M12 Threads (use #1544 Harness)	3548043-C1	<b>651184</b>
<b>PROSTAR</b>				
2007-2011	All Models	HVAC Thermistor Sensor; M12 Threads (use #1544 Harness)	3548043-C1	<b>651184</b>

**SWITCHES - THERMOSTATIC**

YEAR	MODEL	DESCRIPTION	OEM NO.	PART NO.:
<b>2000 SERIES</b>				
1974-1981	2000	All Models with rotary type	446994-C1	<b>B404028</b>
1990-1996	2000	Thermostat All with preset switch 24" capillary tube	1664248-C1	<b>1000021516</b>
<b>4000 SERIES (DURASTAR)</b>				
1972-1981	4070A Transtar	All Models with rotary type	ZGG11048	<b>B404028</b>

## SWITCHES - THERMOSTATIC

YEAR	MODEL	DESCRIPTION	OEM NO.	PART NO:
1973-1984	4000	All 4070, 4200, 4300 with Cable Operated	581691-C1	650149
1994-2010	All Models	All with preset switch 24" capillary tube	1699953-C1	1000021516
<b>5000, 5000I SERIES (PAYSTAR)</b>				
1974-1996	5000	All with shutters; with Cable Operated	454347-C1, 592231-C1, BSM323003	650149
1977-1996	5000	All without shutters; with Cable Operated	581691-C1, BSM323003, ZGG12028	650149
1990-1995	5000	Thermostat with preset switch 24" capillary tube	1664248-C1	1000021516
1999-2010	All Models	All with preset switch 24" capillary tube	1699953-C1	1000021516
1997-2000	5000	All Models with Cable Operated	581691-C1, BD1055, ZGG12028	650149
<b>7000 SERIES (WORKSTAR)</b>				
1981-1995	7100	All Models with Cable Operated switch 9000-9900I, ix, Eagle	581691-C1	650149
<b>ALL OTHER MODELS</b>				
All	Preset Type	with preset switch, 16" capillary tube	1691729-C91	650511
All	All Models	with Cable Operated switch, 42" capillary tube 581687-C1	581687-C1	650149
All	Rotary Type	with rotary control switch, 24" capillary tube	C2-13011	B404075
All	Preset Type	with preset switch, 21" capillary tube	1691726-C91	650878
All	Rotary Type	with rotary control switch, 48" capillary tube	301305-C91, 301395-C91	650649

## WATER VALVES

YEAR	MODEL	DESCRIPTION	OEM NO.	PART NO:
<b>2000 SERIES</b>				
1986-1992	2000	All Models with Cable Operated valve	498574-C1	540023
<b>4000 SERIES (DURASTAR)</b>				
1974-1985	4000	All 4200, 4300 Models with manual Operated	367972-C92	540085
1977-1997	4000	All 4200, 4300, 4600, 4900 with Cable Operated	474072-C4	540024
1984-1999	4000	All 4200, 4300 Models with Cable Operated	498574-C1	540023
1993-1994	4000	All 4600, 4900 Models with cable operated	498574-C1	540023
<b>5000, 5000I SERIES (PAYSTAR)</b>				
1997-2000	5000	Water Shutoff (3/4" x 1/2 NPT)	367972-C92	540085
1997-2000	5000	Water Shutoff (5/8" x 1/2 NPT)	369512-C92	869187
<b>7000 SERIES (WORKSTAR)</b>				
1977-1993	7000	All	474072-C4	540024
<b>8000 SERIES (TRANSTAR)</b>				
1977-1993	8000	All	474072-C4	540024
1989-1993	8300	8300 with Sleeper Box Heater Valve	1669333-C92	1000373395
<b>9000 – 9900I, IX, EAGLE</b>				
1982-1990	9000	All 9300-9700 Models with manual valve	369512-C92	869187
1997-2000	9300-9700	Water Shutoff (3/4" x 1/2 NPT)	367972-C92	540085
1997-2000	9300-9700	Water Shutoff (5/8" x 1/2 NPT)	369512-C92	869187
<b>ALL OTHER MODELS</b>				
2000-2015	4000 - 8000	with 2 pin, Actuator with label #A32062951B	3542575-C1	1002003336
2000-2015	5000, 9000	with 4 pin, Actuator with label # G32063211A	3524465-C1	1000593040
2000-2015	5000, 9000	with 5 pin, Actuator	3599602-C1	1000477176
2000-2015	Pro Star	with 2 Terminal, Actuator with Label #L6402515A	3599606-C1	1000755681
2000-2015	All Models	with actuator with label #B3570874A	2503207-C1	1000593044
2000-2015	All Models	Cable Operated switch	899996-R91	869621
2000-2015	All Models	Manual Operated 5/8" Hose	ZGG14525	869281



800.499.6849 • shop.bergstrominc.com

31

1

MED/HEAVY DUTY APPS

**Kenworth****ACTUATORS**

YEAR	MODEL	DESCRIPTION	OEM NO.	PART NO:
<b>COE, CHASSIS AND CONVENTIONAL</b>				
1995-2006	All Models	with 2 pin Main Unit with Signet A/C (Electric Vlv), with "E" Label Yellow,	P93CAB0200-01S	<b>1000593045</b>
1995-2006	All Models	with 4 pin with Signet Sleeper Electric Valve with "D" label Red	P93CAA0200-01S	<b>651273</b>
1996-2010	All Models	with 4 pin main & sleeper with long life actuator type red" 4-pin (label "D" A3581404A)	650341, MA1430, 651259,	<b>1000593043</b>
<b>T2000 SERIES</b>				
2008-2011	All Models	with 5 pin Actuator (label #A33140851A)	651291	<b>1000593048</b>
<b>T300 SERIES</b>				
2008-2011	All Models	with 5 pin Actuator (label #A33140851A)	651291	<b>1000593048</b>
<b>T370 SERIES</b>				
2008-2011	All Models	with 5 pin Actuator (label #A33140851A)	651291	<b>1000593048</b>
<b>T400 SERIES</b>				
2008-2011	All Models	with 5 pin Actuator (label #A33140851A)	651291	<b>1000593048</b>
<b>T440 SERIES</b>				
2008-2011	All Models	with 5 pin Actuator (label #A33140851A)	651291	<b>1000593048</b>
<b>T600 SERIES</b>				
2008-2011	All Models	with 5 pin Actuator (label #A33140851A)	651291	<b>1000593048</b>
<b>T660 SERIES</b>				
2008-2011	All Models	with 5 pin Actuator (label #A33140851A)	651291	<b>1000593048</b>
<b>T700 SERIES</b>				
1999-2011	All Models	with 4 pin Mode Actuator	651258, MA1360	<b>1000593042</b>
2008-2011	All Models	with 5 pin Actuator (label #A33140851A)	651291	<b>1000593048</b>
<b>T800 SERIES</b>				
2008-2011	All Models	with 5 pin Actuator (label #A33140851A)	651291	<b>1000593048</b>

**AIR FILTERS**

YEAR	MODEL	DESCRIPTION	OEM NO.	PART NO:
<b>ALL OTHER MODELS</b>				
2008-2010	All Models	with Filter (8-3/4" x 12-5/8" x 5/8")	5X013817	<b>1000206466</b>
2008-2010	All Models	with Filter (8-3/4" x 12-5/8" x 5/8")	5X01381, 534510BSM	<b>1000206466</b>
2008-2010	All Models	with Filter (10" x 13-3/4" x 1")	525838BSM, 3199021	<b>525838</b>
<b>T2000 SERIES</b>				
2002-2010	T2000	with Filter (10" x 14" x 3/4")	525507BSM, KE0301P	<b>525507</b>
<b>T370 SERIES</b>				
2008-2010	All T370	with Filter (12" x 3" x 7/8")	534510BSM	<b>534510</b>
<b>T600 SERIES</b>				
2008-2010	All T600	with Filter (12" x 3" x 7/8")	534510BSM	<b>534510</b>

**BLOWER MOTORS**

YEAR	MODEL	DESCRIPTION	OEM NO.	PART NO:
<b>200-210</b>				
1990-1996	All Models	Double Shaft with Red Dot A/C	RD5-4614-0	<b>203179</b>
<b>ALL OTHER MODELS</b>				
All	All Models	with Bergstrom A/C	20132P	<b>1000255724</b>
All	All Models	with Bergstrom A/C	205840	<b>205840</b>
All	All Models	with Kysor A/C	HA1520	<b>B275165</b>
All	All Models	Blower Motor Sleeper Unit All Models	203115BSM	<b>203076</b>
All	All Models	with Red Dot A/C	73R-4504, RD5-4233-24	<b>B275202</b>



**BLOWER MOTORS**

YEAR	MODEL	DESCRIPTION	OEM NO.	PART NO:
All	All Models	Blower Motor Single Shaft, Stud Mount, 2 Speed, 2 wires, 5/16" Shaft	20152P1, 20302P, 273140, 274238, 2807-516-039, 2807-517-041, 2807-517-043, 73R-0552, RD3106-12, 3552	<b>201520</b>
All	All Models	with Bergstrom A/C	20578P, 5577-12, 5577-22, 205840	<b>203090</b>
<b>C500 SERIES (COE AND CONVENTIONAL)</b>				
1990-1998	C500	Single Shaft with Red Dot A/C	RD5-4387-0, RD5-3753-0, HA1060, 301072, 301001	<b>203132</b>
1990-2014	C500	Blower Motor Double Shaft all with Bergstrom Main Unit	203080BSM, 275154, 20579P, HB1035, 2809-541-009, HB1040, HB1050, K318-20-1, PF2646Q, RD5-4942-0, RD5-6801-0, ZGG11645Q, 3182	<b>203090</b>
1997-2007	C500	All with Main Unit with full RFI/EMI Protection	203235BSM	<b>203235</b>
<b>K100 SERIES</b>				
1983-2007	K100, K100E	Double Shaft All with Bergstrom R134a system	203085BSM, 203076, 205840, 2809-551-007, 73R-4322, HB1085, HB1680, RD5-5049-0	<b>203134</b>
1990-1994	K100	Blower Motor Double Shaft All with Bergstrom Main Unit	203080BSM, 275154, 20579P, HB1035, 2809-541-009, HB1040, HB1050, K318-20-1, PF2646Q, RD5-4942-0, RD5-6801-0, ZGG11645Q, 3182	<b>203090</b>
<b>LOW CAB FORWARD ( REFUSE )</b>				
1990-1996	All Models	Double Shaft with Red Dot A/C	RD5-4614-0	<b>203179</b>
<b>MID RANGER</b>				
1990-1996	All Models	Double Shaft with Red Dot A/C	RD5-4614-0	<b>203179</b>
<b>SLEEPER UNITS</b>				
1995-1996	All Models	All Models with Sleeper Unit	HA1605	<b>203076</b>
1996-2012	All Models	Blower Motor Sleeper Unit All Models	203139BSM	<b>203139</b>
1997-2012	All Models	Blower Motor Sleeper Unit All Models	203115BSM	<b>203076</b>
All	All Models	with Bergstrom A/C	20193P, 20303P	<b>B275240</b>
<b>T170 SERIES</b>				
2005-2012	T170	with Signet: 1 speed. 2 wires, flange mount blower wheel use # 3775	3X010983, 5X012163, 2809-550-080, HAA0983	<b>1000222438</b>
2005-2014	All Models	with Signet; 1 speed, 2 wires, flange mount	3X010983, 5X012163, 2809-550-080, HA0983	<b>203361</b>
<b>T2000 SERIES</b>				
1996-2001	Sleeper Units	with Bergstrom Sleeper Unit (CW)	301011BSM	<b>203076</b>
1996-2001	All Models	with Bergstrom Sleeper Unit (CW)	203115BSM, HA1530	<b>203115</b>
1996-2009	Sleeper Units	Blower Motor Sleeper Unit All Models	203139BSM	<b>203139</b>
<b>T270 SERIES</b>				
2005-2012	T270	with Signet: 1 speed. 2 wires, flange mount blower wheel use # 3775	3X010983, 5X012163, 2809-550-080, HAA0983	<b>1000222438</b>
2005-2014	All Models	with Signet; 1 speed, 2 wires, flange mount	3X010983, 5X012163, 2809-550-080, HA0983	<b>203361</b>



1

MED/HEAVY DUTY APPS

**Kenworth****BLOWER MOTORS**

YEAR	MODEL	DESCRIPTION	OEM NO.	PART NO:
<b>T300 SERIES</b>				
1995-2012	T300	Blower Motor Double Shaft all with Bergstrom Main Unit	203080BSM, HB1610, HB1040, HB1050, K318-20-1, PF2646Q	<b>203090</b>
1997-2001	T300	All with Main Unit with full RFI/EMI Protection	203235BSM	<b>203235</b>
<b>T370 SERIES</b>				
2005-2012	T370	with Signet: 1 speed. 2 wires, flange mount blower wheel use # 3775	3X010983, 5X012163, 2809-550-080, HAA0983	<b>1000222438</b>
2005-2014	All Models	with Signet; 1 speed, 2 wires, flange mount	3X010983, 5X012163, 2809-550-080, HA0983	<b>203361</b>
<b>T400 SERIES</b>				
1990-1994	T400	All Models with Double Shaft Motor	HB1050	<b>203090</b>
<b>T440 SERIES (MEDIUM DUTY – CLASS 5,6,7)</b>				
2005-2012	T440(Class 5,6,7)	with Signet: 1 speed. 2 wires, flange mount blower wheel use # 3775	3X010983, 5X012163, 2809-550-080, HAA0983	<b>1000222438</b>
2005-2014	All Models	with Signet; 1 speed, 2 wires, fange mount	3X010983, 5X012163, 2809-550-080, HA0983	<b>203361</b>
<b>T600 SERIES</b>				
1990-1994	T600	All Models with Double Shaft Motor	HB1050	<b>203090</b>
1997-2001	T600	All with Main Unit with full RFI/EMI Protection	203235BSM	<b>203235</b>
<b>T800 SERIES</b>				
1990-1994	T800	All Models with Double Shaft Motor	HB1050	<b>203090</b>
1997-2001	T800	All with Main Unit with full RFI/EMI Protection	203235BSM	<b>203235</b>
<b>W900 SERIES</b>				
1978-1981	W900	All Models with Single Shaft Motor	274265-HA1700, 2809-541-006	<b>203132</b>
1990-2012	W900	Blower Motor Double Shaft all with Bergstrom Main Unit	203080BSM	<b>203090</b>
1997-2001	W900	All with Main Unit with full RFI/EMI Protection	203235BSM, 275154, 20579P, HB1050, 2809-541-009, HB1035, HB1040, K318-20-1, PF2646Q, RD5-4942-0, RD5-6801-0, ZGG11645Q	<b>203235</b>

**BLOWER WHEELS**

YEAR	MODEL	DESCRIPTION	OEM NO.	PART NO:
<b>200-210</b>				
1990-1996	All Models	with Red Dot A/C	RD5-5656-0, HC1350	<b>B260680</b>
<b>CONVENTIONAL (C-T-W-SERIES)</b>				
1990-2014	All Models	All with Bergstrom A/C unit	589540	<b>589540</b>
<b>C-T-W-SERIES (CONV) SLEEPER UNIT</b>				
1990-2007	Sleeper Units	with Bergstrom A/C Sleeper Unit	HC1285, 52480P	<b>529800</b>
1995-2002	All Models	All with Bergstrom A/C unit	HC1005	<b>563500</b>
<b>K100 SERIES</b>				
1990-2005	K100E	All E Models with Bergstrom unit	563500	<b>563500</b>
<b>LOW CAB FORWARD ( REFUSE )</b>				
1990-1996	All Models	with Red Dot A/C	RD5-5656-0, HC1350	<b>B260680</b>
<b>MID RANGER</b>				
1990-1996	All Models	with Red Dot A/C	RD5-5656-0, HC1350	<b>B260680</b>
<b>T2000 SERIES</b>				
1996-2014	T2000	All Models	563500	<b>563500</b>

**BLOWER WHEELS**

YEAR	MODEL	DESCRIPTION	OEM NO.	PART NO:
<b>T400 SERIES</b>				
1990-1994	T400	All Models with Double Shaft Motor	HB1050	203090
<b>T600 SERIES</b>				
1995-1997	All Models	with Main Unit	52480P	529800
<b>T700 SERIES</b>				
1996-2014	T700	All Models	563500	563500
<b>T800 SERIES</b>				
1995-1997	All Models	with Main Unit	52480P	529800

**CLUTCHES**

YEAR	MODEL	DESCRIPTION	OEM NO.	PART NO:
<b>ALL OTHER MODELS WITH YORK/T/CCI - STYLE COMPRESSOR</b>				
All	All Models	2 groove 6" Diameter with diode, 1 wire Weatherpack	024-21590, KA1410, K332-14, K332-19, K332-27, K332-37, K332-44	1000139242

**CONDENSERS**

YEAR	MODEL	DESCRIPTION	OEM NO.	PART NO:
<b>C500 SERIES</b>				
1995-2000	C500	All	K122-125	1000625091
<b>T170 SERIES</b>				
2008-2011	T170	with 14" x 33" with Pad #6 #8 fittings	M3659001, M3660002, R0440001	1000305593
<b>T2000 SERIES</b>				
2008-2010	T2000	with Pad fittings	N4778001, M3611002	1000305585
<b>T270 SERIES</b>				
2008-2011	T270	with 14" x 33" with Pad #6 #8 fittings	M3659001, M3660002, R0440001	1000305593
<b>T300 SERIES</b>				
2007-2008	T300	with 14" x 33" with Pad #6 #8 fittings	R0440001, 3X010633	1000305593
2008-2011	T300	with 14" x 33" with Pad #6 #8 fittings	M3659001, M3660002, R0440001	1000305593
<b>T370 SERIES</b>				
2008-2011	T370	with 14" x 33" with Pad #6 #8 fittings	M3659001, M3660002, R0440001	1000305593
<b>T440 SERIES (MEDIUM DUTY – CLASS 5,6,7)</b>				
2008-2011	T440	with 14" x 33" with Pad #6 #8 fittings	M3659001, M3660002, R0440001	1000305593
<b>T600 SERIES</b>				
1991-1992	T600	with Condenser in front of grill	K122-93, K122-103	1000625091
1995-2007	T600	All with front mounted condenser (Thermal Comp)	K122-125, K122-104	1000625091
<b>T660 SERIES</b>				
2008-2011	T660	with 20" x 25" x 5/8", Pad fittings	N4783001, N4778001	1000305603
<b>T680 SERIES</b>				
2008-2011	T680	with 20" x 33" x 3/4", Pad fittings	Z9206001, F31-6200	1001345364
<b>T700 SERIES</b>				
2011-2012	T700	with Pad fittings	N4778001, M3611002	1000305585
<b>T800 SERIES</b>				
1996-2011	T800	with 20" x 32-1/2" with MIO fittings #6 and #8	K122-143, M3655001	1000626828
2008-2011	T800	with 19" x 33" x 3/4", Pad fittings	N4778001, K122-143	1000305585



800.499.6849 • shop.bergstrominc.com

35

1

MED/HEAVY DUTY APPS

**Kenworth****CONDENSERS**

YEAR	MODEL	DESCRIPTION	OEM NO.	PART NO:
<b>T880 SERIES</b>				
2008-2011	T880	with 20" x 33" x 3/4", Pad fittings	Z9206001, F31-6200	<b>1001345364</b>
<b>W900 SERIES</b>				
1995-2007	All Models	All with front mounted condenser (Thermal Comp)	K122-125, K122-121	<b>1000625091</b>
2008-2012	W900	with 20" x 25" x 5/8", Pad fittings	N4783001, K122-143	<b>1000305603</b>
2010-2011	W900B	with 20" x 32-1/2" with MIO fittings #6 and #8	K122-143, M3655001	<b>1000626828</b>

**EVAPORATORS**

YEAR	MODEL	DESCRIPTION	OEM NO.	PART NO:
<b>ALL OTHER MODELS</b>				
1987-2006	All Models	All Models with Sleeper Unit with Bergstrom AC	151100, NA1030	<b>151100</b>
1990-2006	Sleeper Units	All Models with Sleeper Unit with Bergstrom AC	151100, NA1030	<b>151100</b>
<b>C500 SERIES (COE AND CONVENTIONAL)</b>				
1996-2000	C500	All Models with Sleeper Unit	151321BSM, NA1150	<b>151321M</b>
1996-2010	C500	Evaporator Coil all with Bergstrom Sleeper Unit	151328BSM, SM307300, NA1090	<b>151328M</b>
<b>T170 SERIES</b>				
1996-2011	T170	Evaporator Coil all with Bergstrom Sleeper Unit	151328BSM, 151321BSM	<b>151328M</b>
<b>T2000 SERIES</b>				
1996-2010	T2000	Evaporator Coil all with Bergstrom Sleeper Unit	151339BSM	<b>151339</b>
1996-2010	T2000	Evaporator Coil all with Bergstrom Sleeper Unit	151338BSM, 151339BSM	<b>151338</b>
<b>T270 SERIES</b>				
1996-2011	T270	Evaporator Coil all with Bergstrom Sleeper Unit	151328BSM, 151321BSM	<b>151328M</b>
<b>T300 SERIES</b>				
1996-2011	T300	Evaporator Coil all with Bergstrom Sleeper Unit	151328BSM, 151321BSM	<b>151328M</b>
1996-2011	T300	All with Sleeper Unit (7-3/4" x 8")	151321BSM, NA1150	<b>151321M</b>
1998-2005	T300	All with Signet AC	3X010018, X0112920000	<b>1000213241</b>
<b>T370 SERIES</b>				
1996-2011	T370	Evaporator Coil all with Bergstrom Sleeper Unit	151328BSM, 151321BSM	<b>151328M</b>
<b>T440 SERIES (MEDIUM DUTY – CLASS 5,6,7)</b>				
1996-2011	T440 (Medium Duty – Class 5,6,7)	Evaporator Coil all with Bergstrom Sleeper Unit	151328BSM, 151321BSM	<b>151328M</b>
<b>T600 SERIES</b>				
1995-2006	T600	Evaporator Coil all with Bergstrom Sleeper Unit	151328BSM, NA1005	<b>151328M</b>
1996-2014	T600	All with Sleeper Unit (7-3/4" x 8")	151321BSM, NA1150	<b>151321M</b>
1998-2005	T600	All with Signet AC	3X010018, 3X0112920000	<b>1000213241</b>
1998-2005	T600	All with Signet AC	3X010018, X0112920000	<b>1000213242</b>
2001-2014	T600	Evaporator Coil all with Bergstrom Sleeper Unit	151328BSM, 151321BSM	<b>151328M</b>
<b>T700 SERIES</b>				
2011-2012	T700	Evaporator Coil all with Bergstrom Sleeper Unit	151339BSM, 151338BSM	<b>151339</b>
2011-2012	T700	Evaporator Coil all with Bergstrom Sleeper Unit	151338BSM, 151339BSM	<b>151338</b>
<b>T800 SERIES</b>				
1995-2006	T800	Evaporator Coil all with Bergstrom Sleeper Unit	151328BSM, NA1005	<b>151328M</b>
1996-2014	T800	All with Sleeper Unit (7-3/4" x 8")	151321BSM, NA1150	<b>151321M</b>
1998-2005	T800	All with Signet AC	3X010018, X0112920000	<b>1000213241</b>
1998-2005	T800	All with Signet AC	3X010018, X0112920000	<b>1000213242</b>
2001-2014	T800	Evaporator Coil all with Bergstrom Sleeper Unit	151328BSM, 151321BSM	<b>151328M</b>
<b>W900 SERIES</b>				
1996-2012	W900	All with Bergstrom Main Evaporator	NA1090, BSM307300, 151328BSM	<b>151328M</b>

**EVAPORATORS**

YEAR	MODEL	DESCRIPTION	OEM NO.	PART NO:
1996-2012	W900	All with Bergstrom Sleeper Unit	NA1150, 151321BSM	<b>151321M</b>

**EXPANSION VALVES AND ORIFICE TUBES**

YEAR	MODEL	DESCRIPTION	OEM NO.	PART NO:
<b>200-210</b>				
1987-1993	All Models	All Models with block type	1-2467Q, 404098, D2953-5350, EA1065, EA1210, RD4157-0	<b>1001443791</b>
<b>C500 SERIES (COE AND CONVENTIONAL)</b>				
1976-2008	All Models	Block Valve 1.5 ton rating	540031BSM, RD4157-0, 1-2467Q, EA1210, EA1065	<b>1001443791</b>
1981-1995	All Models	All Models without O-ring type externally equalized	404073, 56380, 57627P, 576270, D2953-5300, 1-1845Q, EA1020, EA1230	<b>B404292</b>
1986-1994	All Models	All Models with block type with male port	EA1090	<b>1001443391</b>
1990-1995	All Models	All Models without O-ring type externally equalized	404073, 56380, 57627P, 576270, D2953-5300, 1-1845Q, EA1020, EA1230	<b>B404292</b>
2007-2011	All Models	Block Valve with M10, M12 ports, 2 ton	540446BSM, 540031BSM	<b>1001443793</b>
<b>K100 SERIES</b>				
1974-1985	All Models	without O-ring type externally equalized	1-1845Q, 5638, 56380, 576270, 57627P, D2953-5300, EA1020, EA1230	<b>B404292</b>
1982-2002	All Models	with block type valve	58590P, 1-2467Q, 404098, D2953-5350, EA1065, EA1210, RD4157-0	<b>1001443791</b>
1987-1996	All Models	with block type with male port	589500BSM, 58950P, D2953-5363	<b>1001443391</b>
<b>LOW CAB FORWARD ( REFUSE )</b>				
1987-1993	All Models	All Models with block type	1-2467Q, 404098, D2953-5350, EA1065, EA1210, RD4157-0	<b>1001443791</b>
<b>MID RANGER</b>				
1987-1993	All Models	All Models with block type	1-2467Q, 404098, D2953-5350, EA1065, EA1210, RD4157-0	<b>1001443791</b>
<b>T2000 SERIES</b>				
1996-2010	T2000	Sleeper with Bergstrom A/C 1.5 ton	549707BSM, 929-512	<b>1000293541</b>
1996-2010	T2000	Main Unit with M10, M12 Ports 2 ton and bypass	549708BSM, 929-513, R/B F90-6001	<b>1000293542</b>
1996-2010	T2000	Sleeper with Bergstrom A/C 1.5 ton;	549707BSM, 929-512	<b>1000378282</b>
<b>T270 SERIES</b>				
2007-2012	T270	Block Valve M10, M12 switch ports, 2 ton	540446BSM	<b>1001443793</b>
<b>T300 SERIES</b>				
1995-2008	T300	Block Valve 1.5 ton rating	58590P, 540031	<b>1001443791</b>
2007-2012	T300	Block Valve M10, M12 switch ports, 2 ton	540446BSM	<b>1001443793</b>
<b>T370 SERIES</b>				
2007-2012	T370	Block Valve M10, M12 switch ports, 2 ton	540446BSM	<b>1001443793</b>
<b>T400 SERIES</b>				
1982-1995	T400	All with block type with R12 and Trinary Port. 2 ton	589500, RD5-5018-0, 404146, 58950P, EA1090, RD5-7155-0	<b>1001443391</b>
1995-2008	T400	Block Valve 1.5 ton rating	58590P, 540031	<b>1001443791</b>



800.499.6849 • shop.bergstrominc.com

37

1

MED/HEAVY DUTY APPS

**Kenworth****EXPANSION VALVES AND ORIFICE TUBES**

YEAR	MODEL	DESCRIPTION	OEM NO.	PART NO:
2007-2012	T400	Block Valve M10, M12 switch ports, 2 ton	540446BSM	<b>1001443793</b>
<b>T440 SERIES (MEDIUM DUTY – CLASS 5,6,7)</b>				
2007-2012	T440	Block Valve M10, M12 switch ports, 2 ton	540446BSM	<b>1001443793</b>
<b>T600 SERIES</b>				
1982-1995	T600	All with block type with R12 and Trinary Port. 2 ton	589500, RD5-5018-0, 404146, 58950P, EA1090, RD5-7155-0	<b>1001443391</b>
1995-2008	T600	Block Valve 1.5 ton rating	58590P, 540031	<b>1001443791</b>
2007-2012	T600	Block Valve M10, M12 switch ports, 2 ton	540446BSM	<b>1001443793</b>
<b>T660 SERIES</b>				
2007-2012	T660	Block Valve M10, M12 switch ports, 2 ton	540446BSM	<b>1001443793</b>
<b>T700 SERIES</b>				
2007-2012	T700	Block Valve M10, M12 switch ports, 2 ton	540446BSM	<b>1001443793</b>
2011-2012	T700	Main Unit with M10, M12 Ports 2 ton and bypass	540057BSM, F90-6001, replaces 549708BSM	<b>1001443771</b>
<b>T800 SERIES</b>				
1982-1995	T800	All with block type with R12 and Trinary Port. 2 ton	589500, RD5-5018-0, 404146, 58950P, EA1090, RD5-7155-0	<b>1001443391</b>
1995-2008	T800	Block Valve 1.5 ton rating	58590P, 540031	<b>1001443791</b>
2007-2012	T800	Block Valve M10, M12 switch ports, 2 ton	540446BSM	<b>1001443793</b>
<b>W900 SERIES</b>				
1969-1982	W900 & Brute	All Models with flare type externally equalized	EA1005	<b>1000534258</b>
1982-2000	W900	All Models with block type with male port	RD5-5018-0, 404146, 58950P, EA1090, RD5-7155-0, D2953-5363	<b>1001443391</b>
1995-2009	W900	Block Valve 1.5 ton rating	EA1210	<b>1001443791</b>
2007-2012	All Models	Block Valve M10, M12 switch ports, 2 ton	540446BSM, EA1210	<b>1001443793</b>

**HEATER CORES**

YEAR	MODEL	DESCRIPTION	OEM NO.	PART NO:
<b>C500 SERIES (COE AND CONVENTIONAL)</b>				
1982-1997	C500, Brute	All Models with Red Dot Heater Core	110640BSM, RD1-0297-0, MC1090	<b>110640M</b>
1995-2000	C500	All Models with Bergstrom (Sleeper Unit)	MC1135, 108263BSM	<b>108263M</b>
1995-2011	C500	All Models with Bergstrom Heater Core	110640BSM, MC1005	<b>110640M</b>
<b>T2000 SERIES</b>				
1996-2012	T2000	All Models with Bergstrom Sleeper Unit	108294BSM	<b>108294</b>
<b>T270 SERIES</b>				
1994-2012	T270	All with Bergstrom Heater Core	110640BSM, MC1005	<b>110640M</b>
<b>T300 SERIES</b>				
1994-2012	T300	All with Bergstrom Heater Core	110640BSM, MC1005	<b>110640M</b>
<b>T600 SERIES</b>				
1994-2000	T600	All Models with Bergstrom Heater Core	108263	<b>108263M</b>
1994-2012	T600	All with Bergstrom Heater Core	110640BSM, MC1005	<b>110640M</b>
<b>T700 SERIES</b>				
1996-2012	T700	All Models with Bergstrom Sleeper Unit	108294BSM	<b>108294</b>
<b>T800 SERIES</b>				
1994-2000	T800	All Models with Bergstrom Heater Core	108263	<b>108263M</b>
1994-2012	T800	All with Bergstrom Heater Core	110640BSM, MC1005	<b>110640M</b>
<b>W900 SERIES</b>				
1986-2000	W900, B	All Models with Bergstrom heater (Main Unit)	10640BSM, MC1005	<b>110640M</b>

**HEATER CORES**

YEAR	MODEL	DESCRIPTION	OEM NO.	PART NO:
1995-2000	W900	All Models with Bergstrom Heater Core	108263BSM, BSM315315, MC1135	<b>108263M</b>
1995-2012	W900	All Models with Bergstrom Heater Core	110640BSM, MC1005	<b>110640M</b>

**RECEIVER DRIERS/ACCUMULATORS**

YEAR	MODEL	DESCRIPTION	OEM NO.	PART NO:
<b>COE, CHASSIS AND CONVENTIONAL</b>				
1975-1987	All Models	All with Eaton drier with side mounted low pressure switch	K251-306, RD4160-1, JA1120, JA1130, 1-3437Q	<b>B402565</b>
1982-1993	All Models	All with basic drier without moisture indicatoricator	K251-459, 088079-00, 15099P, JA1305	<b>1001451454</b>
1988-1996	All Models	without Moisture indicatoricator	088056-00, JA1300, 1-6449Q, K251-521, K251-563, 088133-01, JA1135	<b>1001451454</b>
1990-2015	C, K, T, W Series	Receiver Drier 3/8" Female inlet, 3/8" Male outlet	K251-571, F37-3001, GD1135, BSM319360, 088324-00, RD5-8254-0	<b>1001451771</b>
1993-1996	All Models	with Top female switch port	K251-566, JA2120	<b>1001452318</b>
1996-2011	T700, T2000	Drier with Pad manifold connection	F37-6000,C,JA2225, F37-1000	<b>1001452327</b>
1998-2010	All Models	Accumulator with Pad mount fittings	F31-6063, 18-04171	<b>1001451959</b>
2008-2013	C, K, T, W Series	Receiver drier with Pad manifold connection	F37-6011, F37-6010, F37-6003	<b>1001452028</b>
2014- Current	C, K, T, W Series	Receiver drier	F37-1017-200, F37-1022-200	<b>1002090588</b>
All	C,K,T,W Series	Drier with Pad manifold connection	F37-6013	<b>1001452021</b>
All	C, K, T, W Series	Receiver drier with Pad manifold connection	F37-6010, F37-6003, F37-6013	<b>1001452027</b>

**RELAYS**

YEAR	MODEL	DESCRIPTION	OEM NO.	PART NO:
<b>ALL OTHER MODELS</b>				
1990-2014	All Models	Relay 12V with 5 terminal; 30 amp without diode	652420BSM, CB1115, 221568	<b>651150</b>
All	All Models	Relay 12V 5 terminal; 30-40 amp with diode	650731BSM	<b>650731</b>

**RESISTORS**

YEAR	MODEL	DESCRIPTION	OEM NO.	PART NO:
<b>COE, CHASSIS AND CONVENTIONAL</b>				
1990-1997	All Models	For 3 speed operation, used in conjunction with PM	650790, BSM321110, CA1005	<b>650441</b>
1995-2011	All Models	with Bergstrom 3 speed, 3 terminal	650179BSM, CA1035	<b>650179</b>
1996-2011	All Models	with Bergstrom 5 Terminal Resistor	651313BSM, CA1200	<b>1001401792</b>
1996-2011	All Models	Bergstrom main & sleeper 4 speed, 5 terminal	650475BSM, CA1070	<b>1000283836</b>
1996-2011	All Models	Bergstrom main & sleeper 4 speed, 5 terminal	650475BSM, CA1070	<b>650475</b>

**SWITCHES - BLOWER**

YEAR	MODEL	DESCRIPTION	OEM NO.	PART NO:
<b>C500 SERIES (COE AND CONVENTIONAL)</b>				
1990-2006	All Models	Blower Switch with Bergstrom A/C	221503KB, 652090	<b>B221503</b>
1990-2006	All Models	Blower Switch with Red Dot A/C	RD5-4694-0, BA1205	<b>650438</b>
<b>COE, CHASSIS AND CONVENTIONAL</b>				
1990-2006	All Models	Blower Switch with Bergstrom A/C	221503KB, 652090	<b>B221503</b>
1990-2006	All Models	Blower Switch with Red Dot A/C	RD5-4694-0, BA1205	<b>650438</b>

800.499.6849 • [shop.bergstrominc.com](http://shop.bergstrominc.com)

39

1

MED/HEAVY DUTY APPS

**SWITCHES - BLOWER**

YEAR	MODEL	DESCRIPTION	OEM NO.	PART NO:
<b>K100 SERIES</b>				
1990-2006	All Models	Blower Switch with Bergstrom A/C	221503KB, 652090	<b>B221503</b>
1990-2006	All Models	Blower Switch with Red Dot A/C	RD5-4694-0, BA1205	<b>650438</b>
<b>T400 SERIES</b>				
1990-2006	All Models	Blower Switch with Bergstrom A/C	221503KB, 652090	<b>B221503</b>
1990-2006	All Models	Blower Switch with Red Dot A/C	RD5-4694-0, BA1205	<b>650438</b>
<b>T600 SERIES</b>				
1990-2006	All Models	Blower Switch with Bergstrom A/C	221503KB, 652090	<b>B221503</b>
1990-2006	All Models	Blower Switch with Red Dot A/C	RD5-4694-0, BA1205	<b>650438</b>
<b>T700 SERIES</b>				
1990-2006	All Models	Blower Switch with Bergstrom A/C	221503KB, 652090	<b>B221503</b>
1990-2006	All Models	Blower Switch with Red Dot A/C	RD5-4694-0, BA1205	<b>650438</b>
<b>T800 SERIES</b>				
1990-2006	All Models	Blower Switch with Bergstrom A/C	221503KB, 652090	<b>B221503</b>
1991-2006	All Models	Blower Switch with Red Dot A/C	RD5-4694-0, BA1205	<b>650438</b>
<b>W900 SERIES</b>				
1990-2006	All Models	Blower Switch with Bergstrom A/C	221503KB, 652090	<b>B221503</b>
1991-2006	All Models	Blower Switch with Red Dot A/C	RD5-4694-0, BA1205	<b>650438</b>

**SWITCHES - CIRCUIT BREAKER**

YEAR	MODEL	DESCRIPTION	OEM NO.	PART NO:
<b>C500 SERIES (COE AND CONVENTIONAL)</b>				
1990-2007	All Models	Circuit Breaker (30 amp)	K1110-0552-30	<b>651980</b>
<b>COE, CHASSIS AND CONVENTIONAL</b>				
1990-2007	All Models	Circuit Breaker (30 amp)	K1110-0552-30	<b>651980</b>
<b>K100 SERIES</b>				
1990-2007	All Models	Circuit Breaker (30 amp)	K1110-0552-30	<b>651980</b>
<b>T2000 SERIES</b>				
1996-2010	T2000	Circuit Breaker (30 amp) automatic reset	K1110-0552-30	<b>651980</b>
<b>T400 SERIES</b>				
1990-2007	All Models	Circuit Breaker (30 amp)	K1110-0552-30	<b>651980</b>
<b>T600 SERIES</b>				
1990-2007	All Models	Circuit Breaker (30 amp)	K1110-0552-30	<b>651980</b>
<b>T700 SERIES</b>				
1990-2007	All Models	Circuit Breaker (30 amp)	K1110-0552-30	<b>651980</b>
<b>T800 SERIES</b>				
1990-2007	All Models	Circuit Breaker (30 amp)	K1110-0552-30	<b>651980</b>
<b>W900 SERIES</b>				
1990-2007	All Models	Circuit Breaker (30 amp)	K1110-0552-30	<b>651980</b>

**SWITCHES - POTENTIOMETER**

YEAR	MODEL	DESCRIPTION	OEM NO.	PART NO:
<b>C500 SERIES (COE AND CONVENTIONAL)</b>				
All	All Models	Control Switch – Temper Potentiometer, 4 wires Female Connector	650465BSM, 650396BSM	<b>650465</b>
<b>COE, CHASSIS AND CONVENTIONAL</b>				
All	All Models	Control Switch – Temper Potentiometer, 4 wires Female Connector	650465BSM, 650396BSM	<b>650465</b>
<b>K100 SERIES</b>				
All	All Models	Control Switch – Temper Potentiometer, 4 wires Female Connector	650465BSM, 650396BSM	<b>650465</b>



## SWITCHES - POTENTIOMETER

YEAR	MODEL	DESCRIPTION	OEM NO.	PART NO:
<b>T270 SERIES</b>				
All	All Models	Control Switch – Temper Potentiometer, 4 wires Female Connector	650465BSM, 650396BSM	<b>650465</b>
<b>T300 SERIES</b>				
All	All Models	Control Switch – Temper Potentiometer, 4 wires Female Connector	650465BSM, 650396BSM	<b>650465</b>
<b>T400 SERIES</b>				
All	All Models	Control Switch – Temper Potentiometer, 4 wires Female Connector	650465BSM, 650396BSM	<b>650465</b>
<b>T600 SERIES</b>				
All	All Models	Control Switch – Temper Potentiometer, 4 wires Female Connector	650465BSM, 650396BSM	<b>650465</b>
<b>T700 SERIES</b>				
All	All Models	Control Switch – Temper Potentiometer, 4 wires Female Connector	<b>650465</b> BSM, 650396BSM	<b>650465</b>
<b>T800 SERIES</b>				
All	All Models	Control Switch – Temper Potentiometer, 4 wires Female Connector	650465BSM, 650396BSM	<b>650465</b>
<b>W900 SERIES</b>				
All	All Models	Control Switch – Temper Potentiometer, 4 wires Female Connector	650465BSM, 650396BSM	<b>650465</b>

## SWITCHES - PRESSURE

YEAR	MODEL	DESCRIPTION	OEM NO.	PART NO:
<b>C500 SERIES (COE AND CONVENTIONAL)</b>				
1969-1974	C500	Low Pressure - Normally Open, 25/35 psi 2 Spade	RD5-6394-0, BB1000, BSM318014, 1-2249Q	<b>B404097</b>
1981-1997	All Models	Fan Override – Trinary™ Normally Closed Female 1/4"	RD5-4625-0	<b>650627</b>
1981-2008	All Models	High Pressure – Normally Closed, M10 Female (purple) with OE	18-03835, 79PSL2-3	<b>651323</b>
1990-1997	All Models	Trinary™ Pressure Switch (Fan Override) Normally Closed Female 1/4"	RD5-4625-0, RD5-4620-0	<b>650627</b>
1990-2008	All Models	High Pressure – Normally Closed, M10 Female (Purple)	18-03835, 79PSL2-3, 1439	<b>651323</b>
1998-2011	All Models	Low Pressure – Normally Open, M12, 2 pin, 13/30psi;	650446BSM, F27-1002	<b>1000250290</b>
1999-2014	All Models	Fan Over ride – Normally Closed (orange)	86570P, 79PSL3-4, RD5-4625-0	<b>1000335581</b>
1999-2014	All Models	High Pressure – Normally Closed M10, 2 pin	650697	<b>1000198478</b>
2006-2008	All Models	Binary Switch – M10 2 pin (brown) uses #1546 harness	K301-370-1, 79PSD4	<b>1000246795</b>
2007-2014	All Models	Low Pressure - Normally Open, M12; 2 pin (green)	650442BSM, 652578BSM	<b>1000198469</b>
All	All Models	Control Switch – Temper Potentiometer, 4 wire Female Connector	650465BSM	<b>650465</b>
<b>COE, CHASSIS AND CONVENTIONAL</b>				
1981-1997	All Models	Fan Override – Trinary™ Normally Closed Female 1/4"	RD5-4625-0	<b>650627</b>
1981-2008	All Models	High Pressure – Normally Closed, M10 Female (purple) with OE	18-03835, 79PSL2-3	<b>651323</b>
1990-1997	All Models	Trinary™ Pressure Switch (Fan Override) Normally Closed Female 1/4"	RD5-4625-0, RD5-4620-0	<b>650627</b>
1990-2008	All Models	High Pressure – Normally Closed, M10 Female (purple)	18-03835, 79PSL2-3, 1439	<b>651323</b>
1998-2011	All Models	Low Pressure – Normally Open, M12, 2 pin, 13/30 psi	650446BSM, F27-1002	<b>1000250290</b>



800.499.6849 • shop.bergstrominc.com

41

1

MED/HEAVY DUTY APPS

**Kenworth****SWITCHES - PRESSURE**

YEAR	MODEL	DESCRIPTION	OEM NO.	PART NO:
1999-2014	All Models	High Pressure – Normally Closed, M10, 2 pin	650697	<b>1000198478</b>
1999-2014	All Models	Fan Override – Normally Closed (orange)	79PSL3-4, 86570P, RD5-4625-0	<b>1000335581</b>
2006-2008	All Models	Binary Switch – M10 2 pin (brown) uses #1546 harness	K301-370-1, 79PSD4	<b>1000246795</b>
2007-2014	All Models	Low Pressure – Normally Open, M12, 2 pin (green)	650442BSM, 652578BSM	<b>1000198469</b>
All	All Models	Control Switch – Temper Potentiometer, 4 wire Female Connector	650465BSM	<b>650465</b>
<b>K100 SERIES</b>				
1990-1997	All Models	Trinary™ Pressure Switch (Fan Override) Normally Closed Female 1/4"	RD5-4625-0, RD5-4620-0	<b>650627</b>
1990-2008	All Models	High Pressure – Normally Closed, M10 Female (purple)	18-03835, 79PSL2-3, 1439	<b>651323</b>
1998-2011	All Models	Low Pressure – Normally Open, M12, 2 pin, 13/30 psi	650446BSM, F27-1002	<b>1000250290</b>
1999-2014	All Models	Fan Override – Normally Closed (orange)	79PSL3-4, RD5-4625-0	<b>1000335581</b>
1999-2014	All Models	High Pressure – Normally Closed, M10, 2 pin	650697	<b>1000198478</b>
2006-2008	All Models	Binary Switch – M10 2 pin (brown) uses #1546 harness	K301-370-1, 79PSD4	<b>1000246795</b>
2007-2014	All Models	Low Pressure – Normally Open, M12, 2 pin (green)	650442BSM, 652578BSM	<b>1000198469</b>
<b>T2000 SERIES</b>				
1998-2011	T2000	High Pressure – Normally Closed M10, 2 pin, 335/250 psi	650697BSM, 650446BSM	<b>1000198478</b>
1998-2011	T2000	Low Pressure – Normally Open, M12, 2 pin, 13/30 psi	650446BSM	<b>1000250290</b>
1998-2011	All Models	High Pressure – Normally Closed M10, 2 pin, 335/250 psi	650697BSM	<b>1000198478</b>
<b>T270 SERIES</b>				
1990-1997	All Models	Trinary™ Pressure Switch (Fan Override) Normally Closed Female 1/4"	RD5-4625-0, RD5-4620-0	<b>650627</b>
1990-2008	All Models	High Pressure – Normally Closed, M10 Female (Purple)	18-03835, 79PSL2-3, 1439	<b>651323</b>
1998-2011	All Models	Low Pressure – Normally Open, M12, 2 pin, 13/30 psi	650446BSM, F27-1002	<b>1000250290</b>
1999-2014	All Models	Fan Override – Normally Closed (orange)	79PSL3-4, RD5-4625-0	<b>1000335581</b>
1999-2014	All Models	High Pressure – Normally Closed, M10, 2 pin	650697	<b>1000198478</b>
2006-2008	All Models	Binary Switch – M10 2 pin (brown) uses #1546 harness	K301-370-1, 79PSD4	<b>1000246795</b>
2007-2014	All Models	Low Pressure – Normally Open, M12, 2 pin (green)	650442BSM, 652578BSM	<b>1000198469</b>
<b>T300 SERIES</b>				
1990-1997	All Models	Trinary™ Pressure Switch (Fan Override) Normally Closed Female 1/4"	RD5-4625-0, RD5-4620-0	<b>650627</b>
1990-2008	All Models	High Pressure – Normally Closed, M10 Female (purple)	18-03835, 79PSL2-3, 1439	<b>651323</b>
1998-2011	All Models	Low Pressure – Normally Open, M12, 2 pin, 13/30 psi	650446BSM, F27-1002	<b>1000250290</b>
1999-2014	All Models	Fan Override – Normally Closed (orange)	79PSL3-4, RD5-4625-0	<b>1000335581</b>
1999-2014	All Models	High Pressure – Normally Closed, M10, 2 pin	650697	<b>1000198478</b>
2006-2008	All Models	Binary Switch – M10 2 pin (brown) uses #1546 harness	K301-370-1, 79PSD4	<b>1000246795</b>
2007-2014	All Models	Low Pressure – Normally Open, M12, 2 pin (green)	650442BSM, 652578BSM	<b>1000198469</b>
<b>T400 SERIES</b>				
1990-1997	All Models	Trinary™ Pressure Switch (Fan Override) Normally Closed Female 1/4"	RD5-4625-0, RD5-4620-0	<b>650627</b>
1990-2008	All Models	High Pressure – Normally Closed, M10 Female (purple)	18-03835, 79PSL2-3, 1439	<b>651323</b>

## SWITCHES - PRESSURE

YEAR	MODEL	DESCRIPTION	OEM NO.	PART NO:
1998-2011	All Models	Low Pressure – Normally Open, M12, 2 pin, 13/30 psi	650446BSM, F27-1002	<b>1000250290</b>
1999-2014	All Models	Fan Override – Normally Closed (orange)	79PSL3-4, RD5-4625-0	<b>1000335581</b>
1999-2014	All Models	High Pressure – Normally Closed, M10, 2 pin	650697	<b>1000198478</b>
2006-2008	All Models	Binary Switch – M10 2 pin (brown) uses #1546 harness	K301-370-1, 79PSD4	<b>1000246795</b>
2007-2014	All Models	Low Pressure – Normally Open, M12, 2 pin (green)	650442BSM, 652578BSM	<b>1000198469</b>
<b>T600 SERIES</b>				
1990-1997	All Models	Trinary™ Pressure Switch (Fan Override) Normally Closed Female 1/4"	RD5-4625-0, RD5-4620-0	<b>650627</b>
1990-2008	All Models	High Pressure – Normally Closed, M10 Female (Purple)	18-03835, 79PSL2-3, 1439	<b>651323</b>
1998-2011	All Models	Low Pressure – Normally Open, M12, 2 pin, 13/30 psi	650446BSM, F27-1002	<b>1000250290</b>
1999-2014	All Models	Fan Override – Normally Closed (orange)	79PSL3-4, RD5-4625-0	<b>1000335581</b>
1999-2014	All Models	High Pressure – Normally Closed, M10, 2 pin	650697	<b>1000198478</b>
2006-2008	All Models	Binary Switch – M10 2 pin (brown) uses #1546 harness	K301-370-1, 79PSD4	<b>1000246795</b>
2007-2014	All Models	Low Pressure – Normally Open, M12, 2 pin (green)	650442BSM, 652578BSM	<b>1000198469</b>
<b>T700 SERIES</b>				
1990-1997	All Models	Trinary™ Pressure Switch (Fan Override) Normally Closed Female 1/4"	RD5-4625-0, RD5-4620-0	<b>650627</b>
1990-2008	All Models	High Pressure – Normally Closed, M10 Female (Purple)	18-03835, 79PSL2-3, 1439	<b>651323</b>
1998-2011	All Models	Low Pressure – Normally Open, M12, 2 pin, 13/30 psi	650446BSM, F27-1002	<b>1000250290</b>
1999-2014	All Models	Fan Override – Normally Closed (orange)	79PSL3-4, RD5-4625-0	<b>1000335581</b>
1999-2014	All Models	High Pressure – Normally Closed, M10, 2 pin	650697	<b>1000198478</b>
2006-2008	All Models	Binary Switch – M10 2 pin (brown) uses #1546 harness	K301-370-1, 79PSD4	<b>1000246795</b>
2007-2014	All Models	Low Pressure – Normally Open, M12, 2 pin (green)	650442BSM, 652578BSM	<b>1000198469</b>
<b>T800 SERIES</b>				
1990-1997	All Models	Trinary™ Pressure Switch (Fan Override) Normally Closed Female 1/4"	RD5-4625-0, RD5-4620-0	<b>650627</b>
1990-2008	All Models	High Pressure – Normally Closed, M10 Female (Purple)	18-03835, 79PSL2-3, 1439	<b>651323</b>
1998-2011	All Models	Low Pressure – Normally Open, M12, 2 pin, 13/30 psi	650446BSM, F27-1002	<b>1000250290</b>
1999-2014	All Models	Fan Override – Normally Closed (orange)	79PSL3-4, RD5-4625-0	<b>1000335581</b>
2006-2008	All Models	Binary Switch – M10 2 pin (brown) uses #1546 harness	K301-370-1, 79PSD4	<b>1000246795</b>
1999-2014	All Models	High Pressure – Normally Closed, M10, 2 pin	650697	<b>1000198478</b>
2007-2014	All Models	Low Pressure – Normally Open, M12, 2 pin (green)	650442BSM, 652578BSM	<b>1000198469</b>
<b>W900 SERIES</b>				
1969-1974	W900	Low Pressure - Normally Open, 25/35 psi 2 Spade	RD5-6394-0, BB1000, BSM318014, 1-2249Q	<b>B404097</b>
1990-1997	All Models	Trinary™ Pressure Switch (Fan Override) Normally Closed Female 1/4"	RD5-4625-0, RD5-4620-0	<b>650627</b>
1990-2008	All Models	High Pressure – Normally Closed, M10 Female (Purple)	18-03835, 79PSL2-3, 1439	<b>651323</b>
1998-2011	All Models	Low Pressure – Normally Open, M12, 2 pin, 13/30 psi	650446BSM, F27-1002	<b>1000250290</b>
1999-2014	All Models	Fan Override – Normally Closed (orange)	79PSL3-4, RD5-4625-0	<b>1000335581</b>
1999-2014	All Models	High Pressure – Normally Closed, M10, 2 pin	650697	<b>1000198478</b>
2006-2008	All Models	Binary Switch – M10 2 pin (brown) uses #1546 harness	K301-370-1, 79PSD4	<b>1000246795</b>
2007-2014	All Models	Low Pressure – Normally Open, M12, 2 pin (green)	650442BSM, 652578BSM	<b>1000198469</b>



800.499.6849 • shop.bergstrominc.com

43

1

MED/HEAVY DUTY APPS

**Kenworth****SWITCHES - ROCKER**

YEAR	MODEL	DESCRIPTION	OEM NO.	PART NO:
<b>C500 SERIES (COE AND CONVENTIONAL)</b>				
1990-2011	All Models	Blower Switch /Red Dot Rocker Switch SpeedT (3 Terminal)	RD4151-1	<b>570500</b>
All	All Models	with Red Dot Toggle Switch (6 Terminal)	RD4151-4, BA1040, 1-1604Q, K301-19	<b>B220891</b>
<b>COE, CHASSIS AND CONVENTIONAL</b>				
1990-2011	All Models	Blower Switch /Red Dot Rocker Switch SpeedT (3 Terminal)	RD4151-1	<b>570500</b>
All	All Models	with Red Dot Toggle Switch (6 Terminal)	RD4151-4, BA1040, 1-1604Q, K301-19	<b>B220891</b>
<b>K100 SERIES</b>				
1990-2011	All Models	Blower Switch /Red Dot Rocker Switch SpeedT (3 Terminal)	RD4151-1	<b>570500</b>
All	All Models	with Red Dot Toggle Switch (6 Terminal)	RD4151-4, BA1040, 1-1604Q, K301-19	<b>B220891</b>
<b>T2000 SERIES</b>				
1996-2010	T2000	Rocker Switch SPST, 5 Terminal	CCH33P1	<b>650622</b>
<b>T400 SERIES</b>				
1990-2011	All Models	Blower Switch /Red Dot Rocker Switch SpeedT (3 Terminal)	RD4151-1	<b>570500</b>
All	All Models	with Red Dot Toggle Switch (6 Terminal)	RD4151-4, BA1040, 1-1604Q, K301-19	<b>B220891</b>
<b>T600 SERIES</b>				
1990-2011	All Models	Blower Switch /Red Dot Rocker Switch SpeedT (3 Terminal)	RD4151-1	<b>570500</b>
All	All Models	with Red Dot Toggle Switch (6 Terminal)	RD4151-4, BA1040, 1-1604Q, K301-19	<b>B220891</b>
<b>T700 SERIES</b>				
1990-2011	All Models	Blower Switch /Red Dot Rocker Switch SpeedT (3 Terminal)	RD4151-1	<b>570500</b>
All	All Models	with Red Dot Toggle Switch (6 Terminal)	RD4151-4, BA1040, 1-1604Q, K301-19	<b>B220891</b>
<b>T800 SERIES</b>				
1990-2011	All Models	Blower Switch /Red Dot Rocker Switch SpeedT (3 Terminal)	RD4151-1	<b>570500</b>
All	All Models	with Red Dot Toggle Switch (6 Terminal)	RD4151-4, BA1040, 1-1604Q, K301-19	<b>B220891</b>
<b>W900 SERIES</b>				
1990-2011	All Models	Blower Switch /Red Dot Rocker Switch SpeedT (3 Terminal)	RD4151-1	<b>570500</b>
All	All Models	with Red Dot Toggle Switch (6 Terminal)	RD4151-4, BA1040, 1-1604Q, K301-19	<b>B220891</b>

**SWITCHES - THERMOSTATIC**

YEAR	MODEL	DESCRIPTION	OEM NO.	PART NO:
<b>C500 SERIES (COE AND CONVENTIONAL)</b>				
1969-1982	C500	Cable Type 30" Capillary Length (Pull for cold)	7042-1, A45-1040, BD1300, 1-2253Q, RD4226	<b>B404019</b>
1975-1986	C500, Brute	All Models with preset type	A45-1054, BD1340	<b>650878</b>
1976-1979	C500	All Models with Cable Operated valve	404019	<b>B404019</b>
1991-2014	C500	All with preset type 12" Capillary Length 31"-39"	650163BSM, 9533N538, RD5-8938-0, BD1355	<b>1001884257</b>
1991-2014	C500	All with preset type 12" Capillary Length 31"- 39"	650163BSM, 9533N538, RD5-8938-0, BD1355	<b>650163</b>

## SWITCHES - THERMOSTATIC

YEAR	MODEL	DESCRIPTION	OEM NO.	PART NO:
<b>K100 SERIES</b>				
1969-1982	K100	Cable Type 30" Capillary Length (Pull for cold)	7042-1, A45-1040, BD1300, 1-2253Q	<b>B404019</b>
1980-1985	K100 Series	All with preset type 24" Capillary Length 34"-38" 2-1/8" Hole Spacing	A45-1054, BD1075, RD4427-17, BD1070,	<b>650878</b>
<b>MID RANGER</b>				
1987-1996	13-210 Mid-Ranger	All Mid-Ranger with Kysor A/C	404157, 1-1844Q, BD1105,	<b>650878</b>
1990-1996	13-210 Mid-Ranger	Thermostatic Switch, capillary length 24"	RD4427-17, BD1070, BD1075, 1332	<b>650878</b>
<b>T2000 SERIES</b>				
1996-2010	T2000	Potentiometer 3 wires (female) for cab control	650465BSM	<b>650465</b>
1998-2011	T2000	All with preset type 12" Capillary Length 31"- 39"	9533N538, 650163BSM, RD5-8938-0, BD1355	<b>650163</b>
<b>T300 SERIES</b>				
1991-2014	All Models	All with preset type 12" Capillary Length 31"- 39"	650163BSM, 9533N538, RD5-8938-0, BD1355	<b>650163</b>
1991-2014	All Models	All with preset type 12" Capillary Length 31"-39"	650163BSM, 9533N538, RD5-8938-0, BD1355	<b>1001884257</b>
1998-2011	All Models	All with preset type 12" Capillary Length 31"-39" 9533N538	650163BSM, RD5-8938-0, BD1355	<b>1001884257</b>
<b>T400 SERIES</b>				
1991-2014	All Models	All with preset type 12" Capillary Length 31"- 39"	650163BSM, 9533N538, RD5-8938-0, BD1355	<b>650163</b>
1991-2014	All Models	All with preset type 12" Capillary Length 31"-39"	650163BSM, 9533N538, RD5-8938-0, BD1355	<b>1001884257</b>
1998-2011	All Models	All with preset type 12" Capillary Length 31"-39" 9533N538	650163BSM, RD5-8938-0, BD1355	<b>1001884257</b>
<b>T600 SERIES</b>				
1991-2014	All Models	All with preset type 12" Capillary Length 31"- 39"	650163BSM, 9533N538, RD5-8938-0, BD1355	<b>650163</b>
1991-2014	All Models	All with preset type 12" Capillary Length 31"-39"	650163BSM, 9533N538, RD5-8938-0, BD1355	<b>1001884257</b>
1998-2011	All Models	All with preset type 12" Capillary Length 31"-39" 9533N538	650163BSM, RD5-8938-0, BD1355	<b>1001884257</b>
<b>T660 SERIES</b>				
1991-2014	All Models	All with preset type 12" Capillary Length 31"- 39"	650163BSM, 9533N538, RD5-8938-0, BD1355	<b>650163</b>
1991-2014	All Models	All with preset type 12" Capillary Length 31"-39"	650163BSM, 9533N538, RD5-8938-0, BD1355	<b>1001884257</b>
1998-2011	All Models	All with preset type 12" Capillary Length 31"-39" 9533N538	650163BSM, RD5-8938-0, BD1355	<b>1001884257</b>
<b>T700 SERIES</b>				
1998-2011	T700	All with preset type 12" Capillary Length 31"- 39"	9533N538, 650163BSM, RD5-8938-0, BD1355	<b>650163</b>
<b>T800 SERIES</b>				
1991-2014	All Models	All with preset type 12" Capillary Length 31"- 39"	650163BSM, 9533N538, RD5-8938-0, BD1355	<b>650163</b>
1991-2014	All Models	All with preset type 12" Capillary Length 31"-39"	650163BSM, 9533N538, RD5-8938-0, BD1355	<b>1001884257</b>
1998-2011	All Models	All with preset type 12" Capillary Length 31"-39" 9533N538	650163BSM, RD5-8938-0, BD1355	<b>1001884257</b>
<b>W900 SERIES</b>				
1969-1982	W900	Cable Type 30" Capillary Length (Pull for cold)	7042-1, A45-1040, BD1300, 1-2253Q, RD4226	<b>B404019</b>



1

MED/HEAVY DUTY APPS

**Kenworth****SWITCHES - THERMOSTATIC**

YEAR	MODEL	DESCRIPTION	OEM NO.	PART NO:
1975-1986	W900	All Models with preset type	A45-1054, BD1070, BD1075	<b>650878</b>
1991-2008	W900	All with preset type 12" Capillary Length 31"- 39"	9533N538, 650163BSM, RD5-8938-0, BD1355	<b>650163</b>
1991-2008	W900	All with preset type 12" Capillary Length 31"-39" 9533N538	650163BSM, RD5-8938-0, BD1355	<b>1001884257</b>

**SWITCHES**

YEAR	MODEL	DESCRIPTION	OEM NO.	PART NO:
<b>ALL OTHER MODELS</b>				
All	with Bergstrom A/C	Air Cylinder (double action)	DB1005	<b>591510</b>

**WATER VALVES**

YEAR	MODEL	DESCRIPTION	OEM NO.	PART NO:
<b>C500 SERIES (COE AND CONVENTIONAL)</b>				
1995-2000	All Models	Cable Operated, straight - pull to close	MA1005	<b>1000346874</b>
1995-2000	All Models	Cable Operated, 90" - pull to close	865850BSM, MA1000, 86585P	<b>1000346059</b>
<b>COE, CHASSIS AND CONVENTIONAL</b>				
1983-2000	All Models	Cable Operated with Kysor valve - pull to close	MA1010	<b>1000348325</b>
1983-2000	All Models	Cable Operated with Kysor valve - pull to open	MA1015	<b>1000373641</b>
1983-2000	All Models	Cable Operated Universal 5/8" valve - pull to open	MA1065	<b>1000488420</b>
1983-2000	All Models	Cable Operated with Cable Operated valve with Red Dot valve	RD42570	<b>1000488420</b>
1983-2000	All Models	Cable Operated with Cable Operated valve with Red Dot valve	RD551190	<b>869310</b>
2002-2008	All Models	Cable Operated, 5/8 hose x 5/8 hose, pull to open	869261, MA1680	<b>1000712039</b>
2002-2008	All Models	Cable Operated Kit 5/8" hose	2499084	<b>1000293121</b>
<b>K100 SERIES</b>				
1995-2000	All Models	Cable Operated, pull to close	MA1040	<b>1000346064</b>
<b>T270 SERIES</b>				
2002-2014	All Models	with 2 pin, Actuator (label #A32062951B)	640059, MA1710	<b>1002003336</b>
2008-2011	All Models	Heater Valve Cable Operated, pull-to-close	870084, MA1695	<b>870084</b>
2008-2014	All Models	with 4 pin, Actuator (label # G32063211A)	650625	<b>1000593040</b>
<b>T300 SERIES</b>				
2002-2014	All Models	with 2 pin, Actuator (label #A32062951B)	640059, MA1710	<b>1002003336</b>
2008-2011	All Models	Heater Valve Cable Operated, pull-to-close	870084, MA1695	<b>870084</b>
2008-2014	All Models	with 4 pin, Actuator (label # G32063211A)	650625	<b>1000593040</b>
<b>T370 SERIES</b>				
2002-2014	All Models	with 2 pin, Actuator (label #A32062951B)	640059, MA1710	<b>1002003336</b>
2008-2011	All Models	Heater Valve Cable Operated, pull-to-close	870084, MA1695	<b>870084</b>
2008-2014	All Models	with 4 pin, Actuator (label # G32063211A)	650625	<b>1000593040</b>
<b>T400 SERIES</b>				
1995-2000	All Models	Cable Operated, straight - pull to close	MA1005	<b>1000346874</b>
1995-2000	All Models	Cable Operated, 90" - pull to close	865850BSM, MA1000, 86585P	<b>1000346059</b>
2002-2014	All Models	with 2 pin, Actuator (label #A32062951B)	640059, MA1710	<b>1002003336</b>
2008-2011	All Models	Heater Valve Cable Operated, pull-to-close	870084, MA1695	<b>870084</b>
2008-2014	All Models	with 4 pin, Actuator (label # G32063211A)	650625	<b>1000593040</b>
<b>T440 SERIES</b>				
1995-2000	All Models	Cable Operated, straight - pull to close	MA1005	<b>1000346874</b>
1995-2000	All Models	Cable Operated, 90" - pull to close	865850BSM, MA1000, 86585P	<b>1000346059</b>

## WATER VALVES

YEAR	MODEL	DESCRIPTION	OEM NO.	PART NO:
2002-2014	All Models	with 2 pin, Actuator (label #A32062951B)	640059, MA1710	<b>1002003336</b>
2008-2011	All Models	Heater Valve Cable Operated, pull-to-close	870084, MA1695	<b>870084</b>
2008-2014	All Models	with 4 pin, Actuator (label # G32063211A)	650625	<b>1000593040</b>
<b>T600 SERIES</b>				
1995-2000	All Models	Cable Operated, straight - pull to close	MA1005	<b>1000346874</b>
1995-2000	All Models	Cable Operated, 90° - pull to close	865850BSM, MA1000, 86585P	<b>1000346059</b>
2002-2014	All Models	with 2 pin, Actuator (label #A32062951B)	640059, MA1710	<b>1002003336</b>
2005-2011	All Models	with 5 pin Heater Valve Electric Operated 90° 5/8" x 5/8" hose	869948	<b>1002921593</b>
2008-2011	All Models	with 4 pin Heater Valve Electric Operated 5/8" hose end	868505, MA1685	<b>1000406312</b>
2008-2011	All Models	Heater Valve Cable Operated, pull-to-close	870084, MA1695	<b>870084</b>
2008-2014	All Models	with 4 pin, Actuator (label # G32063211A)	650625	<b>1000593040</b>
<b>T660 SERIES</b>				
1995-2000	All Models	Cable Operated, straight - pull to close	MA1005	<b>1000346874</b>
1995-2000	All Models	Cable Operated, 90° - pull to close	865850BSM, MA1000, 86585P	<b>1000346059</b>
2002-2014	All Models	with 2 pin, Actuator (label #A32062951B)	640059, MA1710	<b>1002003336</b>
2008-2011	All Models	Heater Valve Cable Operated, pull-to-close	870084, MA1695	<b>870084</b>
2008-2014	All Models	with 4 pin, Actuator (label # G32063211A)	650625	<b>1000593040</b>
<b>T700 SERIES</b>				
1995-2000	All Models	Cable Operated, straight - pull to close	MA1005	<b>1000346874</b>
1995-2000	All Models	Cable Operated, 90° - pull to close	865850BSM, MA1000, 86585P	<b>1000346059</b>
2002-2014	All Models	with 2 pin, Actuator (label #A32062951B)	640059, MA1710	<b>1002003336</b>
2008-2011	All Models	Heater Valve Cable Operated, pull-to-close	870084, MA1695	<b>870084</b>
2008-2014	All Models	with 4 pin, Actuator (label # G32063211A)	650625	<b>1000593040</b>
<b>T800 SERIES</b>				
1995-2000	All Models	Cable Operated, straight - pull to close	MA1005	<b>1000346874</b>
1995-2000	All Models	Cable Operated, 90° - pull to close	865850BSM, MA1000, 86585P	<b>1000346059</b>
2002-2014	All Models	with 2 pin, Actuator (label #A32062951B)	640059, MA1710	<b>1002003336</b>
2005-2011	All Models	with 5 pin Heater Valve Electric Operated 90° 5/8" x 5/8" hose	869948	<b>1002921593</b>
2008-2011	All Models	with 4 pin Heater Valve Electric Operated 5/8" hose end	868505, MA1685	<b>1000406312</b>
2008-2011	All Models	Heater Valve Cable Operated, pull-to-close	870084, MA1695	<b>870084</b>
2008-2014	All Models	with 4 pin, Actuator (label # G32063211A)	650625	<b>1000593040</b>
<b>W900 SERIES</b>				
1995-2000	All Models	Cable Operated, straight - pull to close	MA1005	<b>1000346874</b>
1995-2000	All Models	Cable Operated, 90° - pull to close	865850BSM, MA1000, 86585P	<b>1000346059</b>
2005-2011	All Models	with 5 pin Heater Valve Electric Operated 90° 5/8" x 5/8" hose	869948	<b>1002921593</b>
2008-2011	All Models	with 4 pin Heater Valve Electric Operated 5/8" hose end	868505, MA1685	<b>1000406312</b>



800.499.6849 • shop.bergstrominc.com

47

1

MED/HEAVY DUTY APPS

**Mack****AIR FILTERS**

YEAR	MODEL	DESCRIPTION	OEM NO.	PART NO:
<b>ALL OTHER MODELS</b>				
2002-2009	All Models	10-1/4" x 11" x 1/2"	7787-525784, MA0201P	<b>525784</b>
2008-2014	All Models	10" x 9-7/8" x 1"	3543-H9638	<b>1001272970</b>

**BLOWER MOTORS**

YEAR	MODEL	DESCRIPTION	OEM NO.	PART NO:
<b>ALL OTHER MODELS</b>				
1990-1994	All Models	Unit – R-4120 Combo & heater only	4379-RD5-6526-1	<b>203133</b>
1990-1995	All COE Models	Bunk Motor Red Dot A/C	4379-RD5-5435-0	<b>203132</b>
1993	All COE Models	Sleeper motor Red Dot A/C	HA1175	<b>203132</b>
<b>CH</b>				
1990-2000	CH	All Models Red Dot A/C	4379-RD5-5269-0	<b>203255</b>
2000-2008	CH	All Bergstrom Main Units	7787-869445	<b>869445</b>
2008-2014	CH	All Bergstrom Main Units	3543-H9631	<b>1001276674</b>
<b>CH PINNACLE</b>				
2008-2014	Pinnacle	All Bergstrom Main Units	3543-H9631	<b>1001276674</b>
<b>CL</b>				
1990-2000	CL	All Models Red Dot A/C	4379-RD5-5269-0	<b>203255</b>
2000-2008	CL	All Bergstrom Main Units	7787-869445	<b>869445</b>
<b>CS</b>				
1990-1993	CS	All CS Midliner Models Behr A/C	HA1060	<b>203133</b>
1990-1996	CS	All CS Midliner Kysor A/C (Evaporator motor)	7979-275102	<b>203179</b>
1990-2002	CS	All CS Midliner, Red Dot A/C (double shaft)	4379-RD5-5121-0	<b>203212</b>
<b>CX</b>				
1999-2000	CX	All Models Main Units RedDot A/C	4379-RD5-9100-0, 4379-RD510337-0	<b>203255</b>
2000-2008	CX	All Bergstrom Main Units	7787-869445	<b>869445</b>
2008-2014	CX	All Bergstrom Main Units	3543-H9631	<b>1001276674</b>
<b>CX PINNACLE</b>				
2008-2014	Pinnacle	All Bergstrom Main Units	3543-H9631	<b>1001276674</b>
<b>DM</b>				
1990-2000	DM Conv	A/C & Heater Motor Red Dot Factory A/C	4379-RD5-5435-0	<b>203132</b>
1990-2005	All Models	All Models Main Units RedDot A/C	4379-RD5-6315-0	<b>203132</b>
<b>GRANITE — CT SERIES</b>				
2002-2008	Granite	All Bergstrom Main Units	7787-869445	<b>869445</b>
2008-2014	Granite	All Bergstrom Main Units	3543-H9631	<b>1001276674</b>
<b>GRANITE — CV SERIES</b>				
2002-2008	Granite	All Bergstrom Main Units	7787-869445	<b>869445</b>
2008-2014	Granite	All Bergstrom Main Units	3543-H9631	<b>1001276674</b>
<b>GRANITE — GU SERIES</b>				
2002-2008	Granite	All Bergstrom Main Units	7787-869445	<b>869445</b>
2008-2014	Granite	All Bergstrom Main Units	3543-H9631	<b>1001276674</b>
<b>MR (REFUSE)</b>				
1990-2000	MR	All Models Main Units Red Dot A/C (double shaft)	4379-RD5-5121-0	<b>203212</b>
<b>MS (REFUSE)</b>				
1990-1993	MS	Behr A/C	3486-809-03-00-019	<b>869445</b>
1990-2000	MS	All Models Kysor or RedDot A/C (Heater motor)	HA1710	<b>203179</b>
<b>R</b>				
1990-2000	R	A/C & Heater Motor Red Dot Factory A/C	4379-RD5-5435-0	<b>203132</b>
1990-2005	All Models	All Models Main Units RedDot A/C	4379-RD5-6315-0	<b>203132</b>



**BLOWER MOTORS**

YEAR	MODEL	DESCRIPTION	OEM NO.	PART NO:
<b>RB</b>				
1990-2005	All Models	All Models Main Units RedDot A/C	4379-RD5-6315-0	<b>203132</b>
<b>RD</b>				
1990-2005	All Models	All Models Main Units RedDot A/C	4379-RD5-6315-0	<b>203132</b>
<b>RW</b>				
1990-2005	All Models	All Models Main Units RedDot A/C	4379-RD5-6315-0	<b>203132</b>
<b>SLEEPER UNITS</b>				
1990-1993	All COE Models	Sleeper motor Red Dot A/C	HA1175	<b>203132</b>
1990-1994	All Models	Unit – R-4120 Combo & heater only	4379-RD5-6526-1	<b>203133</b>
1995-2000	All Models	Unit -R-4230/R-4240 Combo & heater only -CTC	4379-RD5-6315-0	<b>203132</b>
<b>TITAN</b>				
2008-2014	TD713	All Bergstrom Main Units	3543-H9631	<b>1001276674</b>
<b>U</b>				
1990-2005	All Models	All Models Main Units RedDot A/C	4379-RD5-6315-0	<b>203132</b>
<b>VISION</b>				
1999-2000	Vision	All Models Main Units RedDot A/C	4379-RD5-9100-0, 4379-RD510337-0	<b>203255</b>
2000-2008	Vision	All Bergstrom Main Unit	7787-869445	<b>869445</b>
<b>WS</b>				
1990-1994	All Models	Unit – R-4120 Combo & heater only	4379-RD5-6526-1	<b>203133</b>

**BLOWER WHEELS**

YEAR	MODEL	DESCRIPTION	OEM NO.	PART NO:
<b>CH</b>				
1986-2000	CH	All with Main Unit with Red Dot unit	4379-RD5-6651-0	<b>510035</b>
<b>CL</b>				
1986-2000	CL	All with Main Units with Red Dot unit	4379-RD5-6651-0	<b>510035</b>
<b>CM</b>				
1990-2000	CM	All CM Models Red Dot unit	4379-RD3-1061-5	<b>529800</b>
<b>CS</b>				
1990-2000	CS	All MS Models Red Dot A/C	4379-RD5-5656-0	<b>B260680</b>
<b>CX</b>				
1999-2004	CX	All Models with Red Dot units	4379-RD5-6651-0	<b>510035</b>
<b>DM</b>				
1990-1996	DM	All DM Models Red Dot A/C	4379-RD5-5263-0	<b>529800</b>
1990-2005	DM, DMM	All Models Main Units Red Dot AC	HC1345	<b>529800</b>
<b>MS (REFUSE)</b>				
1990-2000	MS	All MS Models Red Dot A/C	4379-RD5-5656-0	<b>B260680</b>
<b>R</b>				
1990-1996	R	All R Models Red Dot A/C	4379-RD5-5263-0	<b>529800</b>
<b>RB</b>				
1990-2005	RB	All Models Main Units Red Dot AC	HC1345	<b>529800</b>
<b>RD</b>				
1990-2005	RD	All Models Main Units Red Dot AC	HC1345	<b>529800</b>
<b>RL</b>				
1990-1996	RL	All RL,RW & RS Models Red Dot AC	4379-RD5-5263-0	<b>529800</b>
<b>RS</b>				
1990-1996	RS	All RL,RW & RS Models Red Dot AC	4379-RD5-5263-0	<b>529800</b>



1

MED/HEAVY DUTY APPS

**Mack****BLOWER WHEELS**

YEAR	MODEL	DESCRIPTION	OEM NO.	PART NO:
<b>RW</b>				
1990-1996	RW	All RL,RW & RS Models Red Dot A/C	4379-RD5-5263-0	<b>529800</b>
<b>SLEEPER UNITS</b>				
1990-1993	All Models	C bunk blower for Sleeper Unit (Red Dot)	HC1285	<b>529800</b>
1990-2004	All Models	R-4120,4230 & 4240 Combo & heater only	4379-RD55601-0	<b>510046</b>
<b>VISION</b>				
1999-2004	Vision	All Models with Red Dot Units	4379-RD5-6651-0	<b>510035</b>
<b>WL</b>				
1990-1996	WL	All WL Models Red Dot A/C	4379-RD3-1061-5	<b>529800</b>
<b>WS</b>				
1990-1996	WS	All WS Models Red Dot A/C	4379-RD3-1061-5	<b>529800</b>

**CLUTCHES**

YEAR	MODEL	DESCRIPTION	OEM NO.	PART NO:
<b>ALL OTHER MODELS WITH YORK/T/CCI - STYLE COMPRESSOR</b>				
All	All Models	2 groove 6" Diameter diode & Weatherpack terminal.	1MX242, 1MXA1280, 10884, 501939	<b>1000139242</b>

**CONDENSERS**

YEAR	MODEL	DESCRIPTION	OEM NO.	PART NO:
<b>CH</b>				
1990-1994	CH	All Models factory air	210RD411M	<b>1000699302</b>
1994-1998	CH	All Models factory air 34" Length	210RD56M	<b>160152</b>
1994-1998	CH	Condenser Coil 29" L x 19-1/2" H x 3/4" W	210RD510M	<b>1000036526</b>
1994-1998	CH	All Models factory air	210RD54M, 25084242	<b>1000626391</b>
2000-2008	CH, CHN	All Models	210RD59M	<b>1000626391</b>
2008-2010	CH	Condenser Coil	210RD411M	<b>1000699302</b>
2009-2014	CH	Condenser Coil	21095290, 21814392, M522000	<b>1000624642</b>
<b>CH PINNACLE</b>				
1994-1998	CH	Condenser Coil 29" L x 19-1/2" H x 3/4" W	210RD510M	<b>1000036526</b>
2008-2010	Pinnacle	Condenser Coil	210RD411M	<b>1000699302</b>
2009-2014	Pinnacle	Condenser Coil	21095290, 21814392, M522000	<b>1000624642</b>
<b>CX</b>				
2000-2007	CX	All Models	210RD427	<b>1000036207</b>
2000-2007	CX	All Models	210RD59M, 210RD49302P2	<b>1000626391</b>
2007-2010	CX	15" x 31" x 3/4" Pad fittings	210RD517M	<b>1000279367</b>
2009-2014	CX	All Models	21095290, 21814392, M522000, 22314813	<b>1001275785</b>
<b>CX PINNACLE</b>				
2009-2014	CX Pinnacle	Condenser Coil	21095290, 21814392, M522000, 22314813	<b>1000624642</b>
2009-2014	CX Pinnacle	All Models	21095290, 21814392, M522000, 22314813	<b>1001275785</b>
<b>GRANITE — CT SERIES</b>				
2002-2003	All Models	All Models	210RD428	<b>1000699298</b>
2002-2007	All Models	All Models	210RD427	<b>1000036207</b>
2002-2007	All Models	All Models	210RD59M	<b>1000626391</b>
2008-2014	All Models	Condenser Coil	21095290, 21814392, M522000	<b>1000624642</b>

**Mack****1**

MED/HEAVYDUTYAPPS

**CONDENSERS**

YEAR	MODEL	DESCRIPTION	OEM NO.	PART NO:
2008-2014	All Models	All Models	21095290, 21814392, M522000	<b>1001275785</b>
<b>GRANITE — CV SERIES</b>				
2002-2003	All Models	All Models	210RD428	<b>1000699298</b>
2002-2007	All Models	All Models	210RD511M, 210RD57M	<b>1000699300</b>
2002-2007	All Models	All Models	210RD427	<b>1000036207</b>
2002-2007	All Models	All Models	210RD59M	<b>1000626391</b>
2008-2014	All Models	All Models	21095290, 21814392, M522000	<b>1001275785</b>
2008-2014	All Models	Condenser Coil	21095290, 21814392, M522000	<b>1000624642</b>
<b>GRANITE — GU SERIES</b>				
2002-2003	All Models	All Models	210RD428	<b>1000699298</b>
2002-2007	All Models	All Models	210RD511M, 210RD57M	<b>1000699300</b>
2002-2007	All Models	All Models	210RD427	<b>1000036207</b>
2002-2007	All Models	All Models	210RD59M	<b>1000626391</b>
2008-2014	All Models	All Models	21095290, 21814392, M522000	<b>1001275785</b>
2008-2014	All Models	Condenser Coil	21095290, 21814392, M522000	<b>1000624642</b>
<b>RD</b>				
1995-2000	RD688S	Factory A/C	210RD418, 25498661	<b>1000625364</b>
<b>TITAN</b>				
2008-2012	All Models	All Models	21095290, 21814392, 22314813	<b>1001275785</b>
<b>VISION</b>				
2000-2007	Vision	All Models	210RD59M, 210RD49302P2	<b>1000626391</b>
2000-2007	Vision	All Models	210RD427	<b>1000036207</b>
2007-2010	Vision	15" x 31" x 3/4" Pad fittings	210RD517M	<b>1000279367</b>
2009-2014	Vision	All Models	21095290, 21814392, M522000, 22314813	<b>1001275785</b>
2009-2014	Vision	Condenser Coil	21095290, 21814392, M522000, 22314813	<b>1000624642</b>

**EVAPORATORS**

YEAR	MODEL	DESCRIPTION	OEM NO.	PART NO:
<b>CX</b>				
2002-2007	All Models	Bergstrom A/C (10" x 10" x 2-1/5")	7787-86922	<b>869224</b>
2002-2007	All Models	Bergstrom A/C (10" x 10" x 2-1/5")	7787-869224	<b>151396</b>
2008-2013	All Models	Behr A/C (7" x 10-3/8" x 2-5/8")	3543-R0442001	<b>1000475399</b>
<b>CX PINNACLE</b>				
2002-2007	All Models	Bergstrom A/C (10" x 10" x 2-1/5")	7787-86922	<b>869224</b>
2002-2007	All Models	Bergstrom A/C (10" x 10" x 2-1/5")	7787-869224	<b>151396</b>
2008-2013	All Models	Behr A/C (7" x 10-3/8" x 2-5/8")	3543-R0442001	<b>1000475399</b>
<b>GRANITE</b>				
2002-2007	All Models	Bergstrom A/C (10" x 10" x 2-1/5")	7787-869224	<b>869224</b>
2002-2007	All Models	Bergstrom A/C (10" x 10" x 2-1/5")	7787-869224	<b>151396</b>
2008-2012	All Models	Behr A/C (7" x 10-3/8" x 2-5/8")	3543-R0442001	<b>1000475399</b>
<b>TITAN</b>				
2008-2012	All Models	Behr A/C (7" x 10-3/8" x 2-5/8")	3543-R0442001	<b>1000475399</b>
<b>VISION</b>				
2002-2007	All Models	Bergstrom A/C (10" x 10" x 2-1/5")	7787-86922	<b>869224</b>

800.499.6849 • [shop.bergstrominc.com](http://shop.bergstrominc.com)

51

1

MED/HEAVY DUTY APPS

**Mack****EVAPORATORS**

YEAR	MODEL	DESCRIPTION	OEM NO.	PART NO:
2002-2007	All Models	Bergstrom A/C (10" x 10" x 2-1/5")	7787-869224	<b>151396</b>
2008-2013	All Models	Behr A/C (7" x 10-3/8" x 2-5/8")	3543-R0442001	<b>1000475399</b>

**EXPANSION VALVES AND ORIFICE TUBES**

YEAR	MODEL	DESCRIPTION	OEM NO.	PART NO:
<b>CH</b>				
1990-1995	CH	All Models block type Expansion valve #8 & #10 fittings	4379-RD570150	<b>1001443384</b>
1990-2005	CH, CHN	Red Dot A/C	7787-869221, 4379-RD5-5382-0	<b>1001443384</b>
2008-2013	CH	All with block type Expansion Valve	3543-T4935001	<b>1001448066</b>
2008-2014	All Models	All with block type Expansion valve	20443850	<b>1000122061</b>
<b>CH PINNACLE</b>				
2008-2013	CH Pinnacle	All with block type Expansion Valve	3543-T4935001	<b>1001448066</b>
2008-2014	All Models	All with block type Expansion valve	20443850	<b>1000122061</b>
<b>CL</b>				
1990-1995	CL	All Models with block type Expansion valve #8 & #10 fittings	4379-RD570150	<b>1001443384</b>
2008-2014	All Models	All with block type Expansion valve	20443850	<b>1000122061</b>
<b>CM</b>				
2008-2014	All Models	All with block type Expansion valve	20443850	<b>1000122061</b>
<b>CS</b>				
2008-2014	All Models	All with block type Expansion valve	20443850	<b>1000122061</b>
<b>CX</b>				
2000-2001	All Models	All Red Dot A/C	4379-RD5-5382-0	<b>1001443384</b>
<b>CX PINNACLE</b>				
2000-2001	All Models	All Red Dot A/C	4379-RD5-5382-0	<b>1001443384</b>
2008-2013	CX Pinnacle	All with block type Expansion valve	3543-T4935001	<b>1001448066</b>
<b>DM</b>				
1990-1993	DM	All Models Expansion valve externally equalized, Evans	7979-404073	<b>B404292</b>
<b>GRANITE</b>				
2002-2007	Granite	All Models with block type valve	4379-RD5-7015-1	<b>1001443384</b>
2008-2012	Granite	All with block type Expansion valve	3543-T4935001	<b>1001448066</b>
<b>MH (CAB OVER)</b>				
1990-1993	MH	All Models Expansion valve Signet unit	3230-218023	<b>1001443777</b>
<b>MH (REFUSE)</b>				
1990-1993	MH	All Models with block type valve 2 ton capillary	4379-RD553820	<b>1001443384</b>
<b>R</b>				
1990-1993	R	All Models Expansion valve externally equalized, Evans	7979-404073	<b>B404292</b>
<b>TITAN</b>				
2008-2014	All Models	All with block type Expansion valve	20443850	<b>1000122061</b>
<b>VISION</b>				
2000-2001	All Models	All Red Dot A/C	4379-RD5-5382-0	<b>1001443384</b>
2002-2012	Vision	All Models with block type valve	4379-RD5-7015-1	<b>1001443384</b>
2008-2013	Vision	All with block type Expansion valve	3543-T4935001	<b>1001448066</b>

## HEATER CORES

YEAR	MODEL	DESCRIPTION	OEM NO.	PART NO:
<b>CH</b>				
2002-2005	CH, CHN	All 10" x 6" x 2-1/2"	7787-869223	<b>869223</b>
<b>CX</b>				
2000-2008	All Models	All 10" x 6" x 2-1/2"	7787-869223, 7787-108332	<b>869223</b>
<b>CX PINNACLE</b>				
2000-2008	All Models	All 10" x 6" x 2-1/2"	7787-869223, 7787-108332	<b>869223</b>
<b>GRANITE</b>				
2000-2008	All Models	All 10" x 6" x 2-1/2"	7787-869223, 7787-108332	<b>869223</b>
<b>VISION</b>				
2000-2008	All Models	All 10" x 6" x 2-1/2"	7787-869223, 7787-108332	<b>869223</b>

## RECEIVER DRIERS/ACCUMULATORS

YEAR	MODEL	DESCRIPTION	OEM NO.	PART NO:
<b>ALL OTHER MODELS</b>				
1990-1997	All Models	All O-ring female switch port; switches, use 2601086 Low Pressure Switch	221RD333	<b>1001479504</b>
1993-1997	All Models	All Models standard switch ports	221RD334	<b>1001451952</b>
1993-2002	All Models	All metric M10 x 1.25 port, moisture indicator	221RD335	<b>1001451776</b>
1993-2000	All Models	All Models standard switch ports	221RD331	<b>1001451952</b>
<b>CH</b>				
1990-1998	CH	All Models without binary switch (supplied 1510 binary switch)	221RD327, 221RD327P2, 221RD328, 4379-RD5-5979-0	<b>1001451908</b>
1999-2006	CH, CHN	Drier – Main Cab Evaporator Red Dot	221RD335	<b>1001451776</b>
2006-2015	CH	Drier – 3/8" Male O-ring, PRV	20447319	<b>1001452029</b>
<b>CH PINNACLE</b>				
2006-2015	Pinnacle	Drier – 3/8" Male O-ring, PRV	20447319	<b>1001452029</b>
<b>CL</b>				
1990-1998	CL	All Models without binary switch	221RD328, 4379-RD5-5979-0	<b>1001451908</b>
<b>CM</b>				
1990-1998	CM	All Models without binary switch	221RD328, 4379-RD5-5979-0	<b>1001451908</b>
<b>CS</b>				
1985-1989	CS	All Models with Red Dot A/C	4379-RD5-7061-1	<b>1000554489</b>
1990	CS	All Models with Behr A/C	JA1045	<b>1001478801</b>
1990-1994	CS	All Models with Kysor A/C	7979-402562	<b>1001478801</b>
1990-2000	CS	All Models with Red Dot A/C	4379-RD5-7061-0	<b>1001479521</b>
<b>CX</b>				
1999-2005	All Models	Drier – Main Cab Evaporator Red dot	221RD335	<b>1001451776</b>
2006-2015	All Models	Drier – 3/8" Male O-ring, PRV	20447319	<b>1001452029</b>
2006-2015	All Models	Drier - 3/8" Male O-ring, PRV	20447319	<b>526024C</b>
<b>CX PINNACLE</b>				
1999-2005	All Models	Drier – Main Cab Evaporator Red dot	221RD335	<b>1001451776</b>
2006-2015	All Models	Drier – 3/8" Male O-ring, PRV	20447319	<b>1001452029</b>
2006-2015	All Models	Drier - 3/8" Male O-ring, PRV	20447319	<b>526024C</b>
<b>DM</b>				
1990-1993	DM	All Models without switch	JA1120	<b>B402565</b>
1990-1993	DM	All Models without switch	4379-RD5-3593-0	<b>540059</b>



800.499.6849 • shop.bergstrominc.com

53

1

MED/HEAVY DUTY APPS

**Mack****RECEIVER DRIERS/ACCUMULATORS**

YEAR	MODEL	DESCRIPTION	OEM NO.	PART NO:
<b>GRANITE</b>				
2002-2005	Granite	Drier – Main Cab Evaporator Red dot	221RD335	1001451776
2006-2015	All Models	Drier – 3/8" Male O-ring, PRV	20447319	1001452029
2006-2015	All Models	Drier - 3/8" Male O-ring, PRV	20447319	526024C
<b>LE-TERRAPRO (REFUSE)</b>				
2007-2015	All Models	Drier – 3/8" Male O-ring, PRV	20447319	1001452029
2007-2015	All Models	Drier - 3/8" Male O-ring, PRV	20447319	526024C
<b>MC (REFUSE)</b>				
2007-2015	All Models	Drier – 3/8" Male O-ring, PRV	20447319	1001452029
2007-2015	All Models	Drier - 3/8" Male O-ring, PRV	20447319	526024C
<b>MH (REFUSE)</b>				
1990-1993	MH	All O-ring female switch port; switches	221RD312	1001479504
2007-2015	All Models	Drier – 3/8" Male O-ring, PRV	20447319	1001452029
2007-2015	All Models	Drier - 3/8" Male O-ring, PRV	20447319	526024C
<b>MR (REFUSE)</b>				
1993-2006	MR	All Models side switch port, moisture indicator	221RD333	1001479504
1994-2003	MR	All Models standard switch ports	221RD334	1001451952
<b>MS (REFUSE)</b>				
1990-1994	MS	All Models with Kysor A/C	7979-402562	1001478801
1990-2000	MS	All Models with Red Dot A/C	4379-RD5-7061-0	1001479521
2007-2015	All Models	Drier – 3/8" Male O-ring, PRV	20447319	1001452029
2007-2015	All Models	Drier - 3/8" Male O-ring, PRV	20447319	526024C
<b>R</b>				
1990-1993	R	All Models without switch	JA1120	B402565
1990-1993	R	All Models without switch	4379-RD5-3593-0	540059
<b>RL</b>				
1990-1993	RL	All Models without switch	JA1120	B402565
1990-1993	RL	All Models without switch	4379-RD5-3593-0	540059
1994-2005	RL	All Models	221RD334	1001451952
<b>RS</b>				
1990-1993	RS	All Models without switch	JA1120	B402565
1990-1993	RS	All Models without switch	4379-RD5-3593-0	540059
1994-2005	RS	All Models	221RD334	1001451952
<b>RW</b>				
1990-1993	RW	All Models without switch	JA1120	B402565
1990-1993	RW	All Models without switch	4379-RD5-3593-0	540059
1994-2005	RW	All Models	221RD334	1001451952
<b>TITAN</b>				
2011-2015	All Models	Drier – 3/8" Male O-ring, PRV	20447319	1001452029
2011-2015	All Models	Drier - 3/8" Male O-ring, PRV	20447319	526024C
<b>U</b>				
1990-1993	U	All Models without switch	JA1120	B402565
1990-1993	U	All Models without switch	4379-RD5-3593-0	540059
<b>VISION</b>				
1999-2005	All Models	Drier – Main Cab Evaporator Red dot	221RD335	1001451776
2006-2015	All Models	Drier - 3/8" Male O-ring, PRV	20447319	526024C
2006-2015	All Models	Drier – 3/8" Male O-ring, PRV	20447319	1001452029

**Mack****1**

MED/HEAVYDUTYAPPS

**RELAYS**

YEAR	MODEL	DESCRIPTION	OEM NO.	PART NO:
<b>ALL OTHER MODELS</b>				
All	All Models	Relay with diode	2MR2014	<b>651150</b>
<b>MC (REFUSE)</b>				
1990-1997	All Models	Relay with diode	2MR2014, 7979-221568, 7979-221655, 3486-70118-09003	<b>651150</b>
<b>MH (REFUSE)</b>				
1990-1997	All Models	Relay with diode	2MR2014, 7979-221568, 7979-221655, 3486-70118-09003	<b>651150</b>
<b>MR (REFUSE)</b>				
1990-1997	All Models	Relay with diode	2MR2014, 7979-221568, 7979-221655, 3486-70118-09003	<b>651150</b>
<b>MS (REFUSE)</b>				
1990-1997	All Models	Relay with diode	2MR2014, 7979-221568, 7979-221655, 3486-70118-09003	<b>651150</b>

**RESISTORS**

YEAR	MODEL	DESCRIPTION	OEM NO.	PART NO:
<b>CH</b>				
2002-2010	All Models	Resistor Circuit Board	7787-650668	<b>650668</b>
<b>CH PINNACLE</b>				
2002-2010	All Models	Resistor Circuit Board	7787-650668	<b>650668</b>
<b>CL</b>				
2002-2010	All Models	Resistor Circuit Board	7787-650668	<b>650668</b>
<b>CM</b>				
2002-2010	All Models	Resistor Circuit Board	7787-650668	<b>650668</b>
<b>CS</b>				
2002-2010	All Models	Resistor Circuit Board	7787-650668	<b>650668</b>
All	CS	3 Speed, 3 Terminals (used 2 wires motors)	RD536470	<b>650441</b>
<b>CX PINNACLE</b>				
2002-2010	CX Pinnacle	Resistor Circuit Board	7787-650668	<b>650668</b>
<b>DM</b>				
1990-1997	DM	All Models blower resistor Kysor unit	7979-220990	<b>650790</b>
<b>GRANITE</b>				
2002-2010	Granite	Resistor Circuit Board	7787-650668	<b>650668</b>
<b>R</b>				
1990-1997	R	All Models blower resistor Kysor unit	7979-220990	<b>650790</b>
<b>VISION</b>				
2002-2010	Vision	Resistor Circuit Board	7787-650668	<b>650668</b>

**SOLENOID VALVES**

YEAR	MODEL	DESCRIPTION	OEM NO.	PART NO:
<b>ALL OTHER MODELS</b>				
All	All with Red Dot A/C	Solenoid for bunk unit	RD4188-0	<b>650199</b>

800.499.6849 • [shop.bergstrominc.com](http://shop.bergstrominc.com)

55

1

MED/HEAVY DUTY APPS

**Mack****SWITCHES - BLOWER**

YEAR	MODEL	DESCRIPTION	OEM NO.	PART NO:
<b>ALL OTHER MODELS</b>				
All	All with Red Dot A/C	Fan Switch (5 terminal, lever)	4379-RD5-4694-0, 4379-RD5-4694-1	<b>650438</b>
All	All with Kysor A/C	Fan Switch (5 terminal, knob)	7979-220635	<b>890072</b>
All	All with Red Dot A/C	Fan Switch (4 terminals, toggle)	4379-RD5-0071-0	<b>B222013</b>
All	All with Kysor A/C	Fan Switch (6 terminal, toggle)	7979-221189	<b>650645</b>
<b>CH</b>				
2000-2008	CH, CHN	Fan Switch, 40 amps, 5 speed, 5 terminals	4379-RD5-10587-0, 7787-650882	<b>650882</b>
<b>DM</b>				
1990-1996	DM	Fan Switch (5 terminal, lever)	4379-RD5-4694-1	<b>650438</b>
<b>GRANITE — CT SERIES</b>				
2002-2008	Granite	Fan Switch, 40 amps, 5 speed, 5 terminals	4379-RD5-10587-0, 7787-650882	<b>650882</b>
<b>GRANITE — CV SERIES</b>				
2002-2008	Granite	Fan Switch, 40 amps, 5 speed, 5 terminals	4379-RD5-10587-0, 7787-650882	<b>650882</b>
<b>GRANITE — GU SERIES</b>				
2002-2008	Granite	Fan Switch, 40 amps, 5 speed, 5 terminals	4379-RD5-10587-0, 7787-650882	<b>650882</b>
<b>MAGIRUS</b>				
1990-1993	Magirus	Kysor A/C, Fan Sw (12V), (Resistor Type)	7979-220300	<b>B221181</b>
1990-1993	Magirus	Kysor A/C, Fan Sw (12V), (Non-Resistor Type)	3230-221-519	<b>890072</b>
<b>MIDLINER</b>				
1990-1993	Midliner	Kysor A/C, Fan Sw (12V), (Resistor Type)	7979-220300	<b>B221181</b>
1990-1993	Midliner	Kysor A/C, Fan Sw (12V), (Non-Resistor Type)	3230-221-519	<b>890072</b>
<b>MS (REFUSE)</b>				
1990-1993	MS	All blower fan switch Kysor unit without resistor	4379-RD54694-1	<b>650438</b>
1990-1993	MS	Kysor A/C, Fan Sw (12V), (Resistor Type)	7979-220300	<b>B221181</b>
1990-1993	MS	All blower fan switch Kysor unit resistor	BA1145	<b>B221181</b>
1990-1993	MS	Kysor A/C, Fan Sw (12V), (Non-Resistor Type)	3230-221-519	<b>890072</b>
<b>R</b>				
1990-1996	R	Fan Switch (5 terminal, lever)	4379-RD5-4694-1	<b>650438</b>
<b>VISION</b>				
2002-2008	Vision	Fan Switch, 40 amps, 5 speed, 5 terminals	4379-RD5-10587-0, 7787-650882	<b>650882</b>

**SWITCHES - PRESSURE**

YEAR	MODEL	DESCRIPTION	OEM NO.	PART NO:
<b>ALL OTHER MODELS</b>				
1995-2001	All with Red Dot A/C	Low Pressure – Normally Open, 2 Spade (Drier Mount)	4379-RD4191	<b>B404097</b>
1995-2001	All Models	High Pressure – Normally Closed, 260/210 psi M10 Thread	1MR2464M	<b>B404284</b>
<b>CH</b>				
1990-2001	All Models	Binary Switch – Normally Closed, 2 Spade	4379-RD5-597	<b>650448</b>
1995-2001	All Models	High Pressure – Normally Closed, 260/210 psi M10 Thread	1MR2464M	<b>B404284</b>
<b>CH PINNACLE</b>				
1990-2001	All Models	Binary Switch – Normally Closed, 2 Spade	4379-RD5-597	<b>650448</b>
1995-2001	All Models	High Pressure – Normally Closed, 260/210 psi M10 Thread	1MR2464M	<b>B404284</b>



## SWITCHES - PRESSURE

YEAR	MODEL	DESCRIPTION	OEM NO.	PART NO:
<b>CL</b>				
1990-2001	All Models	Binary Switch – Normally Closed, 2 Spade	4379-RD5-597	<b>650448</b>
1995-2001	All Models	High Pressure – Normally Closed, 260/210 psi M10 Thread	1MR2464M	<b>B404284</b>
<b>CM</b>				
1990-2001	All Models	Binary Switch – Normally Closed, 2 Spade	4379-RD5-597	<b>650448</b>
1995-2001	All Models	High Pressure – Normally Closed, 260/210 psi M10 Thread	1MR2464M	<b>B404284</b>
<b>CS</b>				
1990-2001	All Models	Binary Switch – Normally Closed, 2 Spade	4379-RD5-597	<b>650448</b>
1995-2001	All Models	High Pressure – Normally Closed, 260/210 psi M10 Thread	1MR2464M	<b>B404284</b>

## SWITCHES - THERMOSTATIC

YEAR	MODEL	DESCRIPTION	OEM NO.	PART NO:
<b>ALL OTHER MODELS</b>				
All	All Models with Signet A/C	All preset type	3230-221-703, 3230-221-707	<b>650878</b>
<b>CH</b>				
1989-2014	All Models	Preset Type 21" Capillary Tube, (IN 39°/OUT 33°)	4379-RD4427-24	<b>650878</b>
All	All Models	Knob Operated 48" Capillary Tube (IN 34°/OUT26°)	7979-40408	<b>650649</b>
All	All Models	Knob Operated 48" Capillary Tube (IN 34° / OUT 26°)	7979-404082	<b>B404089</b>
<b>CH PINNACLE</b>				
1989-2014	All Models	Preset Type 21" Capillary Tube, (IN 39°/OUT 33°)	4379-RD4427-24	<b>650878</b>
All	All Models	Knob Operated 48" Capillary Tube (IN 34°/OUT26°)	7979-40408	<b>650649</b>
All	All Models	Knob Operated 48" Capillary Tube (IN 34° / OUT 26°)	7979-404082	<b>B404089</b>
<b>CL</b>				
1989-2014	All Models	Preset Type 21" Capillary Tube, (IN 39°/OUT 33°)	4379-RD4427-24	<b>650878</b>
All	All Models	Knob Operated 48" Capillary Tube (IN 34° / OUT 26°)	7979-404082	<b>B404089</b>
All	All Models	Knob Operated 48" Capillary Tube (IN34°/OUT26°)	7979-40408	<b>650649</b>
<b>CM</b>				
1989-2014	All Models	Preset Type 21" Capillary Tube, (IN 39°/OUT 33°)	4379-RD4427-24	<b>650878</b>
All	All Models	Knob Operated 48" Capillary Tube (IN34°/OUT26°)	7979-40408	<b>650649</b>
All	All Models	Knob Operated 48" Capillary Tube (IN 34° / OUT 26°)	7979-404082	<b>B404089</b>
<b>CS</b>				
1989-2014	All Models	Preset Type 21" Capillary Tube, (IN 39°/OUT 33°)	4379-RD4427-24	<b>650878</b>
All	All Models	Knob Operated 48" Capillary Tube (IN 34°/OUT26°)	7979-40408	<b>650649</b>
All	All Models	Knob Operated 48" Capillary Tube (IN 34° / OUT 26°)	7979-404082	<b>B404089</b>
<b>CX</b>				
1999-2009	CX	All Main Unit preset type	4379-RD4427-24, 7787-650163	<b>650878</b>
<b>DM</b>				
1990-2000	DM, DMM	All Models preset type	4379-RD4427-24	<b>650878</b>
<b>GRANITE</b>				
2002-2009	GRANITE	All Models preset type	4379-RD4427-24, 7787-650163	<b>650878</b>
<b>RB</b>				
1990-2000	RB	All Models preset type	4379-RD4427-24	<b>650878</b>



1

**Mack****SWITCHES - THERMOSTATIC**

MED/HEAVY DUTY APPS

YEAR	MODEL	DESCRIPTION	OEM NO.	PART NO:
<b>RD</b>				
1990-2000	RD	All Models preset type	4379-RD4427-24	<b>650878</b>
<b>VISION</b>				
1999-2009	Vision	All Main Unit preset type	4379-RD4427-24, 7787-650163	<b>650878</b>

**ACTUATORS**

YEAR	MODEL	DESCRIPTION	OEM NO.	PART NO:
<b>COE, CHASSIS AND CONVENTIONAL</b>				
1996-2011	All Models	with main & sleeper with long life actuator type "red" 4-pin "red" Label ID A3581404A	650341, 651259, MA1430	<b>1000593043</b>
1999-2009	387	Mode Actuator	651258, MA1360	<b>890071</b>
2000-2014	All Models	with 4 pin Actuator (label #A34111573A) 120"	651258	<b>1000593042</b>
2000-2014	All Models	with 4 pin Actuator, (label #B3570874A)	MA1640	<b>1000593044</b>
2005-2011	All Models	Cable Operated, 5 Pin with 90 degree Fitting	869948	<b>1000593048</b>
2005-2012	All Models	with 5 pin Actuator with OE	651291	<b>1000593048</b>

**AIR FILTERS**

YEAR	MODEL	DESCRIPTION	OEM NO.	PART NO:
<b>387</b>				
2002-2009	387	with Filter (10" x 14" x 3/4")	525507BSM, KE0301P	<b>525507</b>
<b>ALL OTHER MODELS</b>				
2002-2014	320	with Filter (8" X 19-1/4")	1000201343, 525765BSM	<b>1000201343</b>
2002-2009	387	with Filter (10" x 14" x 3/4")	525507BSM, KE0301P	<b>525507</b>
2008-2014	All Models	with Filter (8-3/4" x 12-5/8" x 5/8")	5X013817, 5S014010	<b>1000206466</b>
2013-2014	All Models	with Filter (10" x 13-3/4" x 1")	525838BSM, 3199021	<b>525838</b>
All	All Models	with Filter (10-1/2" x 7-1/2" x 3/4")	23-15619	<b>1000220149</b>

**BLOWER MOTORS**

YEAR	MODEL	DESCRIPTION	OEM NO.	PART NO:
<b>320</b>				
1995-2014	320	All with Bergstrom heater only	203080BSM, HB1050, HB1610, PV26122Q, RD5-6801-0	<b>203090</b>
<b>325</b>				
2012	All Models	with Signet A/C (Main and Sleeper)	3X010983, 5X012163, 203361, P93CAB4000-01S	<b>203361</b>
<b>330</b>				
1995-2004	330	with Signet A/C (CW) motor only	2809-540-036, 203239BSM	<b>1000039644</b>
1995-2004	All Models	CCW, 16.6 amps, 2 wires, 12V	3972, 3X010983, HA0983, 3X010983, 2809-550-080, 5X012163,	<b>890050</b>
2012	All Models	with Signet A/C (Main and Sleeper)	3X010983, 5X012163, 203361, P93CAB4000-01S	<b>203361</b>
<b>335</b>				
2012	All Models	with Signet A/C (Main and Sleeper)	3X010983, 5X012163, 203361, P93CAB4000-01S	<b>203361</b>
<b>340</b>				
2012	All Models	with Signet A/C (Main and Sleeper)	3X010983, 5X012163, 203361, P93CAB4000-01S	<b>203361</b>
<b>357</b>				
1988-1994	All Models	with Red Dot A/C (Single Shaft)	RD5-6526-0, HA1070	<b>203249</b>
3/1998-2012	All Models except 387,587	with Signet A/C (Main and Sleeper)	3X010983, 5X012163, 203361, P93CAB4000-01S	<b>203361</b>
1994-2002	All Models	with Signet A/C (CW) motor only	2809-540-036, 203239BSM, P93CAA0300-01S	<b>890050</b>



800.499.6849 • shop.bergstrominc.com

59

1

MED/HEAVY DUTY APPS

**Peterbilt****BLOWER MOTORS**

YEAR	MODEL	DESCRIPTION	OEM NO.	PART NO:
1997-2001	All Models	All with Bergstrom Main A/C unit	203133BSM	<b>203133</b>
1994-2002	All Models (exc 387)	with Signet A/C (CW) motor only	2809-540-036, 203239BSM, P93CAA0300-01S	<b>1000039644</b>
2005-2012	All Models	with Blower Motor Blower Wheel use #3775	3X010983, HA0983, P93CAB4000-01S, 203361	<b>203361</b>
2012	All Models	with Signet A/C (Main and Sleeper)	3X010983, 5X012163, 203361, P93CAB4000-01S	<b>203361</b>
<b>365</b>				
1988-1994	All Models	with Red Dot A/C (Single Shaft)	RD5-6526-0, HA1070	<b>203249</b>
3/1998-2012	All Models except 387 & 587	with Signet A/C (Main and Sleeper)	3X010983, 5X012163, 203361, P93CAB4000-01S	<b>203361</b>
1994-2002	All Models	with Signet A/C (CW) motor only	2809-540-036, 203239BSM, P93CAA0300-01S	<b>890050</b>
1994-2002	All Models (exc 387)	with Signet A/C (CW) motor only	2809-540-036, 203239BSM, P93CAA0300-01S	<b>1000039644</b>
1997-2001	All Models	All with Bergstrom Main A/C unit	203133BSM	<b>203133</b>
2005-2012	All Models	with Blower Motor Blower Wheel use #3775	3X010983, HA0983, P93CAB4000-01S, 203361	<b>203361</b>
2012	All Models	with Signet A/C (Main and Sleeper)	3X010983, 5X012163, 203361, P93CAB4000-01S	<b>203361</b>
<b>367</b>				
1988-1994	All Models	with Red Dot A/C (Single Shaft)	RD5-6526-0, HA1070	<b>203249</b>
3/1998-2012	All Models	with Signet A/C (Main and Sleeper)	3X010983, 5X012163, 203361, P93CAB4000-01S	<b>203361</b>
1994-2002	All Models	with Signet A/C (CW) motor only	2809-540-036, 203239BSM, P93CAA0300-01S	<b>890050</b>
1994-2002	All Models (exc 387)	with Signet A/C (CW) motor only	2809-540-036, 203239BSM, P93CAA0300-01S	<b>1000039644</b>
1997-2001	All Models	All with Bergstrom Main A/C unit	203133BSM	<b>203133</b>
2005-2012	All Models	with Blower Motor Blower Wheel use #3775	3X010983, HA0983, P93CAB4000-01S, 203361	<b>203361</b>
<b>375</b>				
1988-1994	All Models	with Red Dot A/C (Single Shaft)	RD5-6526-0, HA1070	<b>203249</b>
3/1998-2012	All Models	with Signet A/C (Main and Sleeper)	3X010983, 5X012163, 203361, P93CAB4000-01S	<b>203361</b>
1994-2002	All Models	with Signet A/C (CW) motor only	2809-540-036, 203239BSM, P93CAA0300-01S	<b>890050</b>
1994-2002	All Models (exc 387)	with Signet A/C (CW) motor only	2809-540-036, 203239BSM, P93CAA0300-01S	<b>1000039644</b>
1997-2001	All Models	All with Bergstrom Main A/C unit	203133BSM	<b>203133</b>
2005-2012	All Models	with Blower Motor Blower Wheel use #3775	3X010983, HA0983, P93CAB4000-01S, 203361	<b>203361</b>
<b>377</b>				
1988-1994	All Models	with Red Dot A/C (Single Shaft)	RD5-6526-0, HA1070	<b>203249</b>

60



800.499.6849 • shop.bergstrominc.com

**BLOWER MOTORS**

YEAR	MODEL	DESCRIPTION	OEM NO.	PART NO:
3/1998-2012	All Models	with Signet A/C (Main and Sleeper)	3X010983, 5X012163, 203361, P93CAB4000-01S	<b>203361</b>
1994-2002	All Models	with Signet A/C (CW) motor only	2809-540-036, 203239BSM, P93CAA0300-01S	<b>890050</b>
1994-2002	All Models (exc 387)	with Signet A/C (CW) motor only	2809-540-036, 203239BSM, P93CAA0300-01S	<b>1000039644</b>
1997-2001	All Models	All with Bergstrom Main A/C unit	203133BSM	<b>203133</b>
2005-2012	All Models	with Blower Motor Blower Wheel use #3775	3X010983, HA0983, P93CAB4000-01S, 203361	<b>203361</b>
<b>378</b>				
1988-1994	All Models	with Red Dot A/C (Single Shaft)	RD5-6526-0, HA1070	<b>203249</b>
3/1998-2012	All Models except 387,587	with Signet A/C (Main and Sleeper)	3X010983, 5X012163, 203361, P93CAB4000-01S	<b>203361</b>
1994-2002	All Models	with Signet A/C (CW) motor only	2809-540-036, 203239BSM, P93CAA0300-01S	<b>890050</b>
1994-2002	All Models (exc 387)	with Signet A/C (CW) motor only	2809-540-036, 203239BSM, P93CAA0300-01S	<b>1000039644</b>
1997-2001	All Models	All with Bergstrom Main A/C unit	203133BSM	<b>203133</b>
2005-2012	All Models	with Blower Motor Blower Wheel use #3775	3X010983, HA0983, P93CAB4000-01S, 203361	<b>203361</b>
<b>379</b>				
1988-1994	All Models	with Red Dot A/C (Single Shaft)	RD5-6526-0, HA1070	<b>203249</b>
3/1998-2012	All Models except 387,587	with Signet A/C (Main and Sleeper)	3X010983, 5X012163, 203361, P93CAB4000-01S	<b>203361</b>
1994-2002	All Models	with Signet A/C (CW) motor only	2809-540-036, 203239BSM, P93CAA0300-01S	<b>890050</b>
1994-2002	All Models (exc 387)	with Signet A/C (CW) motor only	2809-540-036, 203239BSM, P93CAA0300-01S	<b>1000039644</b>
1997-2001	All Models	All with Bergstrom Main A/C unit	203133BSM	<b>203133</b>
2005-2012	All Models	with Blower Motor Blower Wheel use #3775	3X010983, HA0983, P93CAB4000-01S, 203361	<b>203361</b>
<b>382</b>				
1988-1994	All Models	with Red Dot A/C (Single Shaft)	RD5-6526-0, HA1070	<b>203249</b>
3/1998-2012	All Models except 387,587	with Signet A/C (Main and Sleeper)	3X010983, 5X012163, 203361, P93CAB4000-01S	<b>203361</b>
1994-2002	All Models	with Signet A/C (CW) motor only	2809-540-036, 203239BSM, P93CAA0300-01S	<b>890050</b>
1994-2002	All Models (exc 387)	with Signet A/C (CW) motor only	2809-540-036, 203239BSM, P93CAA0300-01S	<b>1000039644</b>
1997-2001	All Models	All with Bergstrom Main A/C unit	203133BSM	<b>203133</b>
2005-2012	All Models	with Blower Motor Blower Wheel use #3775	3X010983, HA0983, P93CAB4000-01S, 203361	<b>203361</b>
<b>384</b>				
1988-1994	All Models	with Red Dot A/C (Single Shaft)	RD5-6526-0, HA1070	<b>203249</b>

800.499.6849 • [shop.bergstrominc.com](http://shop.bergstrominc.com)

61

1

MED/HEAVY DUTY APPS

**Peterbilt****BLOWER MOTORS**

YEAR	MODEL	DESCRIPTION	OEM NO.	PART NO:
3/1998-2012	All Models except 387,587	with Signet A/C (Main and Sleeper)	3X010983, 5X012163, 203361, P93CAB4000-01S	<b>203361</b>
1994-2002	All Models (exc 387)	with Signet A/C (CW) motor only	2809-540-036, 203239BSM, P93CAA0300-01S	<b>1000039644</b>
1997-2001	All Models	All with Bergstrom Main A/C unit	203133BSM	<b>203133</b>
2005-2012	All Models	with Blower Motor Blower Wheel use #3775	3X010983, HA0983, P93CAB4000-01S, 203361	<b>203361</b>
<b>385</b>				
1988-1994	All Models	with Red Dot A/C (Single Shaft)	RD5-6526-0, HA1070	<b>203249</b>
3/1998-2012	All Models except 387,587	with Signet A/C (Main and Sleeper)	3X010983, 5X012163, 203361, P93CAB4000-01S	<b>203361</b>
1994-2002	All Models (exc 387)	with Signet A/C (CW) motor only	2809-540-036, 203239BSM, P93CAA0300-01S	<b>1000039644</b>
1994-2002	All Models	with Signet A/C (CW) motor only	2809-540-036, 203239BSM, P93CAA0300-01S	<b>890050</b>
1997-2001	All Models	All with Bergstrom Main A/C unit	203133BSM	<b>203133</b>
2005-2012	All Models	with Blower Motor Blower Wheel use #3775	3X010983, HA0983, P93CAB4000-01S, 203361	<b>203361</b>
<b>386</b>				
1988-1994	All Models	with Red Dot A/C (Single Shaft)	RD5-6526-0, HA1070	<b>203249</b>
3/1998-2012	All Models except 387,587	with Signet A/C (Main and Sleeper)	3X010983, 5X012163, 203361, P93CAB4000-01S	<b>203361</b>
1994-2002	All Models (exc 387)	with Signet A/C (CW) motor only	2809-540-036, 203239BSM, P93CAA0300-01S	<b>1000039644</b>
1994-2002	All Models	with Signet A/C (CW) motor only	2809-540-036, 203239BSM, P93CAA0300-01S	<b>890050</b>
1997-2001	All Models	All with Bergstrom Main A/C unit	203133BSM	<b>203133</b>
2005-2012	All Models	with Blower Motor Blower Wheel use #3775	3X010983, HA0983, P93CAB4000-01S, 203361	<b>203361</b>
<b>387</b>				
1988-1994	All Models	with Red Dot A/C (Single Shaft)	RD5-6526-0, HA1070	<b>203249</b>
1996-2014	387	All (sleeper) with Bergstrom (CW)	203139BSM	<b>203139</b>
1997-2001	All Models	All with Bergstrom Main A/C unit	203133BSM	<b>203133</b>
2000-2014	387	All (main cab) with Bergstrom A/C	871218BSM, 203364BSM, 203142BSM	<b>203142</b>
2005-2012	All Models	with Blower Motor Blower Wheel use #3775	3X010983, HA0983, P93CAB4000-01S, 203361	<b>203361</b>
<b>388</b>				
1988-1994	All Models	with Red Dot A/C (Single Shaft)	RD5-6526-0, HA1070	<b>203249</b>
3/1998-2012	All Models except 387,587	with Signet A/C (Main and Sleeper)	3X010983, 5X012163, 203361, P93CAB4000-01S	<b>203361</b>
1994-2002	All Models (exc 387)	with Signet A/C (CW) motor only	2809-540-036, 203239BSM, P93CAA0300-01S	<b>1000039644</b>
1994-2002	All Models	with Signet A/C (CW) motor only	2809-540-036, 203239BSM, P93CAA0300-01S	<b>890050</b>

**BLOWER MOTORS**

YEAR	MODEL	DESCRIPTION	OEM NO.	PART NO:
1997-2001	All Models	All with Bergstrom Main A/C unit	203133BSM	<b>203133</b>
2005-2012	All Models	with Blower Motor Blower Wheel use #3775	3X010983, HA0983, P93CAB4000-01S, 203361	<b>203361</b>
<b>389</b>				
1988-1994	All Models	with Red Dot A/C (Single Shaft)	RD5-6526-0, HA1070	<b>203249</b>
3/1998-2012	All Models except 387,587	with Signet A/C (Main and Sleeper)	3X010983, 5X012163, 203361, P93CAB4000-01S	<b>203361</b>
1994-2002	All Models (exc 387)	with Signet A/C (CW) motor only	2809-540-036, 203239BSM, P93CAA0300-01S	<b>1000039644</b>
1994-2002	All Models	with Signet A/C (CW) motor only	2809-540-036, 203239BSM, P93CAA0300-01S	<b>890050</b>
1997-2001	All Models	All with Bergstrom Main A/C unit	203133BSM	<b>203133</b>
2005-2012	All Models	with Blower Motor Blower Wheel use #3775	3X010983, HA0983, P93CAB4000-01S, 203361	<b>203361</b>
<b>587</b>				
1988-1994	All Models	with Red Dot A/C (Single Shaft)	RD5-6526-0, HA1070	<b>203249</b>
1994-2002	All Models	with Signet A/C (CW) motor only	2809-540-036, 203239BSM, P93CAA0300-01S	<b>890050</b>
1994-2002	All Models (exc 387)	with Signet A/C (CW) motor only	2809-540-036, 203239BSM, P93CAA0300-01S	<b>1000039644</b>
1996-2014	587	All (sleeper) with Bergstrom (CW)	203139BSM	<b>203139</b>
1997-2001	All Models	All with Bergstrom Main A/C unit	203133BSM	<b>203133</b>
2000-2014	587	All (main cab) with Bergstrom A/C	871218BSM, 203364BSM, 203142BSM	<b>203142</b>
2005-2012	All Models	with Blower Motor Blower Wheel use #3775	3X010983, HA0983, P93CAB4000-01S, 203361	<b>203361</b>
<b>13-200</b>				
1991-1995	13-200 Mid-Ranger	with Red Dot A/C (Double Shaft)	RD5-5121-0, HB1070	<b>203212</b>
1988-1995	13-200 Mid-Ranger	All with Double Shaft	275102, HA1710, RD5-4614-0	<b>203179</b>
<b>CAB OVER ENGINE 362</b>				
1976-1986	All Models	All with Kysor Roof Unit	275130	<b>203168</b>
1982-1986	362	Bunk Motor (Requires cutting wire harness and re-splicing O.E. motor wire onto replacement motor)	275141, HA1155	<b>B275141</b>
1982-2003	362	All Models with Red Dot A/C (double shaft)	205840BSM, 2807-551-001, HB1085, RD5-5049-0	<b>205853</b>
<b>CAB OVER ENGINE 372</b>				
1976-1986	All Models	All with Kysor Roof Unit	275130	<b>203168</b>
1982-2003	372	All Models with Red Dot A/C (double shaft)	205840BSM, 2807-551-001, HB1085, RD5-5049-0	<b>205853</b>
1991-1994	372	All Bergstrom Main A/C Units	HB1625	<b>203090</b>
<b>CONVENTIONAL (CLASS 8 - HIGHWAY AND VOCATIONAL)</b>				
1988-1994	All Models	with Red Dot A/C (Single Shaft)	RD5-6526-0, HA1070	<b>203249</b>
3/1998-2012	All Models except 387,587	with Signet A/C (Main and Sleeper)	3X010983, 5X012163, 203361, P93CAB4000-01S	<b>203361</b>



1

MED/HEAVY DUTY APPS

**Peterbilt****BLOWER MOTORS**

YEAR	MODEL	DESCRIPTION	OEM NO.	PART NO:
1994-2002	All Models (exc 387)	with Signet A/C (CW) motor only	2809-540-036, 203239BSM, P93CAA0300-01S	<b>1000039644</b>
1994-2002	All Models	with Signet A/C (CW) motor only	2809-540-036, 203239BSM, P93CAA0300-01S	<b>890050</b>
1997-2001	All Models	All with Bergstrom Main A/C unit	203133BSM	<b>203133</b>
2005-2012	All Models	with Blower Motor Blower Wheel use #3775	3X010983, HA0983, P93CAB4000-01S, 203361	<b>203361</b>

**CONVENTIONAL (MEDIUM DUTY, CLASS 5, 6,7)**

2012	All Models	with Signet A/C (Main and Sleeper)	3X010983, 5X012163, 203361, P93CAB4000-01S	<b>203361</b>
------	------------	------------------------------------	--	---------------

**BLOWER WHEELS**

YEAR	MODEL	DESCRIPTION	OEM NO.	PART NO:
<b>310</b>				
1990-1997	310	with Red Dot A/C, 5-3/16" Diameter Aluminum	RD3106-15, HC1285, BSM302081	<b>529800</b>
1986-2014	All Models	with 4-1/2" Diameter Plastic, Blower Wheel	589540	<b>589540</b>
<b>320</b>				
1986-2014	All Models	with 4-1/2" Diameter Plastic, Blower Wheel	589540	<b>589540</b>
<b>325</b>				
2005-2014	All Models	with 5-3/4" Diameter CW, Blower Wheel	P93CAB0400-01S, HC0400-01S, HC1625	<b>510061</b>
<b>330</b>				
2005-2014	All Models	with 5-3/4" Diameter CW, Blower Wheel	P93CAB0400-01S, HC0400-01S, HC1625	<b>510061</b>
<b>335</b>				
2005-2014	All Models	with 5-3/4" Diameter CW, Blower Wheel	P93CAB0400-01S, HC0400-01S, HC1625	<b>510061</b>
<b>340</b>				
2005-2014	All Models	with 5-3/4" Diameter CW, Blower Wheel	P93CAB0400-01S, HC0400-01S, HC1625	<b>510061</b>
<b>357</b>				
1978-1986	All Models	All with Kysor A/C	HF1530	<b>B260640</b>
1987-1994	All Models	All with Red Dot Sleeper Unit	RD1-01012-0	<b>510046</b>
1995-2011	All Models	with 5-3/4" Diameter CW, Blower Wheel	P93CAB0400-01S, HC0400-01S, HC1625	<b>510061</b>
2000-2014	All Models	with 5-1/2" Diameter CW, Plastic Blower Wheel	563500, HC1005	<b>563500</b>
<b>365</b>				
1978-1986	All Models	All with Kysor A/C	HF1530	<b>B260640</b>
1987-1994	All Models	All with Red Dot Sleeper Unit	RD1-01012-0	<b>510046</b>
1995-2011	All Models	with 5-3/4" Diameter CW, Blower Wheel	P93CAB0400-01S, HC0400-01S, HC1625	<b>510061</b>
2000-2014	All Models	with 5-1/2" Diameter CW, Plastic Blower Wheel	563500, HC1005	<b>563500</b>
<b>367</b>				
1978-1986	All Models	All with Kysor A/C	HF1530	<b>B260640</b>
1987-1994	All Models	All with Red Dot Sleeper Unit	RD1-01012-0	<b>510046</b>
1995-2011	All Models	with 5-3/4" Diameter CW, Blower Wheel	P93CAB0400-01S, HC0400-01S, HC1625	<b>510061</b>
2000-2014	All Models	with 5-1/2" Diameter CW, Plastic Blower Wheel	563500, HC1005	<b>563500</b>
<b>375</b>				
1978-1986	All Models	All with Kysor A/C	HF1530	<b>B260640</b>



## BLOWER WHEELS

YEAR	MODEL	DESCRIPTION	OEM NO.	PART NO:
1987-1994	All Models	All with Red Dot Sleeper Unit	RD1-01012-0	<b>510046</b>
1995-2011	All Models	with 5-3/4" Diameter CW, Blower Wheel	P93CAB0400-01S, HC0400-01S, HC1625	<b>510061</b>
2000-2014	All Models	with 5-1/2" Diameter CW, Plastic Blower Wheel	563500, HC1005	<b>563500</b>
<b>377</b>				
1978-1986	All Models	All with Kysor A/C	HF1530	<b>B260640</b>
1987-1994	All Models	All with Red Dot Sleeper Unit	RD1-01012-0	<b>510046</b>
1995-2011	All Models	with 5-3/4" Diameter CW, Blower Wheel	P93CAB0400-01S, HC0400-01S, HC1625	<b>510061</b>
2000-2014	All Models	with 5-1/2" Diameter CW, Plastic Blower Wheel	563500, HC1005	<b>563500</b>
<b>378</b>				
1978-1986	All Models	All with Kysor A/C	HF1530	<b>B260640</b>
1987-1994	All Models	All with Red Dot Sleeper Unit	RD1-01012-0	<b>510046</b>
1995-2011	All Models	with 5-3/4" Diameter CW, Blower Wheel	P93CAB0400-01S, HC0400-01S, HC1625	<b>510061</b>
2000-2014	All Models	with 5-1/2" Diameter CW, Plastic Blower Wheel	563500, HC1005	<b>563500</b>
<b>379</b>				
1978-1986	All Models	All with Kysor A/C	HF1530	<b>B260640</b>
1987-1994	All Models	All with Red Dot Sleeper Unit	RD1-01012-0	<b>510046</b>
1995-2011	All Models	with 5-3/4" Diameter CW, Blower Wheel	P93CAB0400-01S, HC0400-01S, HC1625	<b>510061</b>
2000-2014	All Models	with 5-1/2" Diameter CW, Plastic Blower Wheel	563500, HC1005	<b>563500</b>
<b>382</b>				
1978-1986	All Models	All with Kysor A/C	HF1530	<b>B260640</b>
1987-1994	All Models	All with Red Dot Sleeper Unit	RD1-01012-0	<b>510046</b>
1995-2011	All Models	with 5-3/4" Diameter CW, Blower Wheel	P93CAB0400-01S, HC0400-01S, HC1625	<b>510061</b>
2000-2014	All Models	with 5-1/2" Diameter CW, Plastic Blower Wheel	563500, HC1005	<b>563500</b>
<b>384</b>				
1978-1986	All Models	All with Kysor A/C	HF1530	<b>B260640</b>
1987-1994	All Models	All with Red Dot Sleeper Unit	RD1-01012-0	<b>510046</b>
1995-2011	All Models	with 5-3/4" Diameter CW, Blower Wheel	P93CAB0400-01S, HC0400-01S, HC1625	<b>510061</b>
2000-2014	All Models	with 5-1/2" Diameter CW, Plastic Blower Wheel	563500, HC1005	<b>563500</b>
<b>385</b>				
1978-1986	All Models	All with Kysor A/C	HF1530	<b>B260640</b>
1987-1994	All Models	All with Red Dot Sleeper Unit	RD1-01012-0	<b>510046</b>
1995-2011	All Models	with 5-3/4" Diameter CW, Blower Wheel	P93CAB0400-01S, HC0400-01S, HC1625	<b>510061</b>
2000-2014	All Models	with 5-1/2" Diameter CW, Plastic Blower Wheel	563500, HC1005	<b>563500</b>
<b>386</b>				
1978-1986	All Models	All with Kysor A/C	HF1530	<b>B260640</b>
1987-1994	All Models	All with Red Dot Sleeper Unit	RD1-01012-0	<b>510046</b>
1995-2011	All Models	with 5-3/4" Diameter CW, Blower Wheel	P93CAB0400-01S, HC0400-01S, HC1625	<b>510061</b>
2000-2014	All Models	with 5-1/2" Diameter CW, Plastic Blower Wheel	563500, HC1005	<b>563500</b>
<b>387</b>				
1978-1986	All Models	All with Kysor A/C	HF1530	<b>B260640</b>
1987-1994	All Models	All with Red Dot Sleeper Unit	RD1-01012-0	<b>510046</b>
<b>388</b>				
1978-1986	All Models	All with Kysor A/C	HF1530	<b>B260640</b>
1987-1994	All Models	All with Red Dot Sleeper Unit	RD1-01012-0	<b>510046</b>
1995-2011	All Models	with 5-3/4" Diameter CW, Blower Wheel	P93CAB0400-01S, HC0400-01S, HC1625	<b>510061</b>



800.499.6849 • shop.bergstrominc.com

65

1

MED/HEAVY DUTY APPS

**Peterbilt****BLOWER WHEELS**

YEAR	MODEL	DESCRIPTION	OEM NO.	PART NO:
2000-2014	All Models	with 5-1/2" Diameter CW, Plastic Blower Wheel	563500, HC1005	<b>563500</b>
<b>389</b>				
1978-1986	All Models	All with Kysor A/C	HF1530	<b>B260640</b>
1987-1994	All Models	All with Red Dot Sleeper Unit	RD1-01012-0	<b>510046</b>
1995-2011	All Models	with 5-3/4" Diameter CW, Blower Wheel	P93CAB0400-01S, HC0400-01S, HC1625	<b>510061</b>
2000-2014	All Models	with 5-1/2" Diameter CW, Plastic Blower Wheel	563500, HC1005	<b>563500</b>
<b>587</b>				
1978-1986	All Models	All with Kysor A/C	HF1530	<b>B260640</b>
1987-1994	All Models	All with Red Dot Sleeper Unit	RD1-01012-0	<b>510046</b>
<b>13-200</b>				
1987-1995	13-210 Mid-Ranger	with Red Dot A/C	RD5-5656-0, HC1350	<b>B260680</b>
1988-1995	13-210 Mid-Ranger	with Kysor A/C	260680, HC1290	<b>B260680</b>
1990-1995	13-210 Mid-Ranger	with Kysor A/C or Red Dot A/C	260680, HC1290, RD5-5656-0, HC1350	<b>B260680</b>
<b>CAB OVER ENGINE 220</b>				
1970-1980	All Models	All Models with Kysor unit, CW	HC1005	<b>563500</b>
1987-1993	All Models	All Models with Red Dot Sleeper Unit	RD1-01012-0	<b>510046</b>
<b>CAB OVER ENGINE 362</b>				
1970-1980	All Models	All Models with Kysor unit, CW	HC1005	<b>563500</b>
1987-1993	All Models	All Models with Red Dot Sleeper Unit	RD1-01012-0	<b>510046</b>
<b>CAB OVER ENGINE 372</b>				
1970-1980	All Models	All Models with Kysor unit, CW	HC1005	<b>563500</b>
1987-1993	All Models	All Models with Red Dot Sleeper Unit	RD1-01012-0	<b>510046</b>
<b>COE, CHASIS &amp; CONVENTIONAL</b>				
1978-1986	Conventional	with Kysor Unit 5-1/4" (CW)	HF1530	<b>B260640</b>
1987-2010	All Models	with Bergstrom A/C 4-17/32" Diameter (CCW)	HC1050	<b>589540</b>
<b>CONVENTIONAL (CLASS 8 - HIGHWAY AND VOCATIONAL)</b>				
1978-1986	All Models	All with Kysor A/C	HF1530	<b>B260640</b>
1987-1994	All Models	All with Red Dot Sleeper Unit	RD1-01012-0	<b>510046</b>
1995-2011	All Models	with 5-3/4" Diameter CW, Blower Wheel	P93CAB0400-01S, HC0400-01S, HC1625	<b>510061</b>
2000-2014	All Models	with 5-1/2" Diameter CW, Plastic Blower Wheel	563500, HC1005	<b>563500</b>
<b>CONVENTIONAL (MEDIUM DUTY, CLASS 5, 6, 7)</b>				
2005-2014	All Models	with 5-3/4" Diameter CW, Blower Wheel	P93CAB0400-01S, HC0400-01S, HC1625	<b>510061</b>
<b>K270</b>				
1986-2014	All Models	with 4-1/2" Diameter Plastic, Blower Wheel	589540	<b>589540</b>
<b>LOW CAB FORWARD</b>				
1986-2014	All Models	with 4-1/2" Diameter Plastic, Blower Wheel	589540	<b>589540</b>
<b>SLEEPER</b>				
1987-1999	All Models	All with Red Dot Sleeper Unit - 5-3/4" Diameter	RD5-5601-0, HC1325, RD1-01012-0	<b>510046</b>
1995-2011	All Models	with 5-3/4" Diameter CW, Blower Wheel	P93CAB0400-01S, HC1625	<b>510061</b>

**CLUTCHES**

YEAR	MODEL	DESCRIPTION	OEM NO.	PART NO:
<b>ALL OTHER MODELS WITH YORK/T/CCI - STYLE COMPRESSOR</b>				
All	All Models	2 groove, 6" Diameter , with diode, 1 wire Weatherpack	18-1210, 18-1822, 024-21590, 10884, 501939, KA1410	<b>1000139242</b>

**CONDENSERS**

YEAR	MODEL	DESCRIPTION	OEM NO.	PART NO:
<b>320</b>				
2012-2014	320	Red Dot AC with 20" x 25" x 5/8"	4783001	1000305603
<b>325</b>				
2005-2008	All Models	All with 24-1/4" x 29-1/2" x 5/8" Pad fittings	F31-6042, F31-6043, 1E6043	1000036679
2006-2008	All Models	All with 15" x 31-1/4"	3S010633 9983	1000624015
<b>330</b>				
2003-2009	330	with 15" x 31-1/4" x 1-1/4" MIO Fittings	18-03722	1000624015
2005-2008	All Models	All with 24-1/4" x 29-1/2" x 5/8" Pad fittings	F31-6042, F31-6043, 1E6043	1000036679
2006-2008	All Models	All with 15" x 31-1/4"	3S010633 9983	1000624015
<b>335</b>				
2005-2008	All Models	All with 24-1/4" x 29-1/2" x 5/8" Pad fittings	F31-6042, F31-6043, 1E6043	1000036679
2006-2008	All Models	All with 15" x 31-1/4"	3S010633 9983	1000624015
<b>340</b>				
2005-2008	All Models	All with 24-1/4" x 29-1/2" x 5/8" Pad fittings	F31-6042, F31-6043, 1E6043	1000036679
2006-2008	All Models	All with 15" x 31-1/4"	3S010633 9983	1000624015
<b>357</b>				
1990-2000	All Models	All Models with Detroit or Cat engine	18-03543	1000617101
1995-2007	All Models	All with Signet A/C system (28" x 28")	18-04015, 18-03809	1000624329
1999-2000	All Models	with Modine Condenser	1E4582	1000699320
2005-2007	All Models	with 23-3/4" x 30" x 3/4" Block Fittings #6 & #8	F31-6064, 1E5715	1000305617
<b>365</b>				
1990-2000	All Models	All Models with Detroit or Cat engine	18-03543	1000617101
1995-2007	All Models	All with Signet A/C system (28" x 28")	18-04015, 18-03809	1000624329
1999-2000	All Models	with Modine Condenser	1E4582	1000699320
2005-2007	All Models	with 23-3/4" x 30" x 3/4" Block Fittings #6 & #8	F31-6064, 1E5715	1000305617
2008-2012	365	with 14" x 33" x 3/4" Pad fittings	R0440001, M3659002	1000305593
<b>367</b>				
1990-2000	All Models	All Models with Detroit or Cat engine	18-03543	1000617101
1995-2007	All Models	All with Signet A/C system (28" x 28")	18-04015, 18-03809	1000624329
1999-2000	All Models	with Modine Condenser	1E4582	1000699320
2005-2007	All Models	with 23-3/4" x 30" x 3/4" Block Fittings #6 & #8	F31-6064, 1E5715	1000305617
2012-2014	367	with 19" x 33" x 3/4" Pad fittings	V3695001, M360900, N4778001	1000305585
<b>375</b>				
1990-2000	All Models	All Models with Detroit or Cat engine	18-03543	1000617101
1995-2007	All Models	All with Signet A/C system (28" x 28")	18-04015, 18-03809	1000624329
1999-2000	All Models	with Modine Condenser	1E4582	1000699320
2005-2007	All Models	with 23-3/4" x 30" x 3/4" Block Fittings #6 & #8	F31-6064, 1E5715	1000305617
<b>377</b>				
1990-2000	All Models	All Models with Detroit or Cat engine	18-03543	1000617101
1995-2007	All Models	All with Signet A/C system (28" x 28")	18-04015, 18-03809	1000624329
1999-2000	All Models	with Modine Condenser	1E4582	1000699320
2005-2007	All Models	with 23-3/4" x 30" x 3/4" Block Fittings #6 & #8	F31-6064, 1E5715	1000305617
<b>378</b>				
1990-2000	All Models	All Models with Detroit or Cat engine	18-03543	1000617101
1995-2007	All Models	All with Signet A/C system (28" x 28")	18-04015, 18-03809	1000624329
1999-2000	All Models	with Modine Condenser	1E4582	1000699320
2005-2007	All Models	with 23-3/4" x 30" x 3/4" Block Fittings #6 & #8	F31-6064, 1E5715	1000305617



800.499.6849 • shop.bergstrominc.com

67

1

MED/HEAVY DUTY APPS

**Peterbilt****CONDENSERS**

YEAR	MODEL	DESCRIPTION	OEM NO.	PART NO:
<b>379</b>				
1990-2000	All Models	All Models with Detroit or Cat engine	18-03543	<b>1000617101</b>
1995-2007	All Models	All with Signet A/C system (28" x 28")	18-04015, 18-03809	<b>1000624329</b>
1999-2000	All Models	with Modine Condenser	1E4582	<b>1000699320</b>
2000-2007	379	All with 24-1/4" x 29-1/2" x 5/8" Pad fittings (bracket end to bracket end 37-5/8" OAL)	F31-6042, F31-6043, 1E6043	<b>1000036679</b>
2001-2007	379	All (33-18" x 28" x 1-1/4")	3S011268, 18-04454	<b>1000161287</b>
2005-2007	All Models	with 23-3/4" x 30" x 3/4" Block Fittings #6 & #8	F31-6064, 1E5715	<b>1000305617</b>
2009-2010	379	with 14" x 33" x 3/4" Pad fittings	R0440001, M3659002	<b>1000305593</b>
2009-2010	379	All	M3659002, R0440001	<b>1000305593</b>
<b>382</b>				
1990-2000	All Models	All Models with Detroit or Cat engine	18-03543	<b>1000617101</b>
1995-2007	All Models	All with Signet A/C system (28" x 28")	18-04015, 18-03809	<b>1000624329</b>
1999-2000	All Models	with Modine Condenser	1E4582	<b>1000699320</b>
2005-2007	All Models	with 23-3/4" x 30" x 3/4" Block Fittings #6 & #8	F31-6064, 1E5715	<b>1000305617</b>
2008-2012	382	with 14" x 33" x 3/4" Pad fittings	R0440001, M3659002	<b>1000305593</b>
<b>384</b>				
1990-2000	All Models	All Models with Detroit or Cat engine	18-03543	<b>1000617101</b>
1995-2007	All Models	All with Signet A/C system (28" x 28")	18-04015, 18-03809	<b>1000624329</b>
1999-2000	All Models	with Modine Condenser	1E4582	<b>1000699320</b>
2005-2007	All Models	with 23-3/4" x 30" x 3/4" Block Fittings #6 & #8	F31-6064, 1E5715	<b>1000305617</b>
2008-2012	384	with 14" x 33" x 3/4" Pad fittings	R0440001, M3659002	<b>1000305593</b>
2012-2014	384	with 19" x 33" x 3/4" Pad fittings	V3695001, M360900, N4778001	<b>1000305585</b>
<b>385</b>				
1990-2000	All Models	All Models with Detroit or Cat engine	18-03543	<b>1000617101</b>
1995-2007	All Models	All with Signet A/C system (28" x 28")	18-04015, 18-03809	<b>1000624329</b>
1999-2000	All Models	with Modine Condenser	1E4582	<b>1000699320</b>
2005-2007	All Models	with 23-3/4" x 30" x 3/4" Block Fittings #6 & #8	F31-6064, 1E5715	<b>1000305617</b>
<b>386</b>				
1990-2000	All Models	All Models with Detroit or Cat engine	18-03543	<b>1000617101</b>
1995-2007	All Models	All with Signet A/C system (28" x 28")	18-04015, 18-03809	<b>1000624329</b>
1999-2000	All Models	with Modine Condenser	1E4582	<b>1000699320</b>
2000-2007	386	All with 24-1/4" x 29-1/2" x 5/8" Pad fittings (bracket end to bracket end 37-5/8" OAL)	F31-6042, F31-6043, 1E6043	<b>1000036679</b>
2001-2007	386	All (33-18" x 28" x 1-1/4")	3S011268, 18-04454	<b>1000161287</b>
2005-2007	386	with 25" x 31-1/2" x 5/8"	F31-6042, 1E5610	<b>1000036679</b>
2005-2007	All Models	with 23-3/4" x 30" x 3/4" Block Fittings #6 & #8	F31-6064, 1E5715	<b>1000305617</b>
2008-2012	386	with 14" x 33" x 3/4" Pad fittings	R0440001, M3659002	<b>1000305593</b>
2012-2014	386	with 19" x 33" x 3/4" Pad fittings	V3695001, M360900, N4778001	<b>1000305585</b>
<b>387</b>				
1990-2000	All Models	All Models with Detroit or Cat engine	18-03543	<b>1000617101</b>
1999-2000	All Models	with Modine Condenser	1E4582	<b>1000699320</b>
2005-2007	387	with 25" x 31-1/2" x 5/8"	F31-6042, 1E5610	<b>1000036679</b>
2005-2007	All Models	with 23-3/4" x 30" x 3/4" Block Fittings #6 & #8	F31-6064, 1E5715	<b>1000305617</b>
2008-2012	387	with Pad fittings	N4778001, M3611002	<b>1000305585</b>
<b>388</b>				
1990-2000	All Models	All Models with Detroit or Cat engine	18-03543	<b>1000617101</b>
1995-2007	All Models	All with Signet A/C system (28" x 28")	18-04015, 18-03809	<b>1000624329</b>
1999-2000	All Models	with Modine Condenser	1E4582	<b>1000699320</b>
2005-2007	All Models	with 23-3/4" x 30" x 3/4" Block Fittings #6 & #8	F31-6064, 1E5715	<b>1000305617</b>
2008-2012	388	with 17-7/8" x 29-1/4" x 3/4" Block Fittings #6 & #8	R0337001	<b>1000305690</b>

**CONDENSERS**

YEAR	MODEL	DESCRIPTION	OEM NO.	PART NO:
2012-2014	388	with 19" x 33" x 3/4" Pad fittings	V3695001, M360900, N4778001	<b>1000305585</b>
<b>389</b>				
1990-2000	All Models	All Models with Detroit or Cat engine	18-03543	<b>1000617101</b>
1995-2007	All Models	All with Signet A/C system (28" x 28")	18-04015, 18-03809	<b>1000624329</b>
1999-2000	All Models	with Modine Condenser	1E4582	<b>1000699320</b>
2000-2007	389	All with 24-1/4" x 29-1/2" x 5/8" Pad fittings (bracket end to bracket end 37-5/8" OAL)	F31-6042, F31-6043, 1E6043	<b>1000036679</b>
2005-2007	All Models	with 23-3/4" x 30" x 3/4" Block Fittings #6 & #8	F31-6064, 1E5715	<b>1000305617</b>
2009-2010	389	with 14" x 33" x 3/4" Pad fittings	R0440001, M3659002	<b>1000305593</b>
2012-2014	389	with 19" x 33" x 3/4" Pad fittings	V3695001, M360900, N4778001	<b>1000305585</b>
<b>587</b>				
1990-2000	All Models	All Models with Detroit or Cat engine	18-03543	<b>1000617101</b>
1995-2007	All Models	All with Signet A/C system (28" x 28")	18-04015, 18-03809	<b>1000624329</b>
1999-2000	All Models	with Modine Condenser	1E4582	<b>1000699320</b>
2005-2007	All Models	with 23-3/4" x 30" x 3/4" Block Fittings #6 & #8	F31-6064, 1E5715	<b>1000305617</b>
2008-2012	587	with Pad fittings	N4778001, M3611002	<b>1000305585</b>
<b>COE, CHASIS &amp; CONVENTIONAL</b>				
1987-1997	Conventional	with Cat or Detroit Engine with Charge Air Cooler	18-03543	<b>1000617101</b>
1994-2002	Conventional with Med & Long Hood	with Signet A/C (full face condenser)(28" x 28")	18-03809	<b>1000624329</b>
<b>CONVENTIONAL (CLASS 8 - HIGHWAY AND VOCATIONAL)</b>				
1990-2000	All Models	All Models with Detroit or Cat engine	18-03543	<b>1000617101</b>
1995-2007	All Models	All with Signet A/C system (28" x 28")	18-04015, 18-03809	<b>1000624329</b>
1999-2000	All Models	with Modine Condenser	1E4582	<b>1000699320</b>
2005-2007	All Models	with 23-3/4" x 30" x 3/4" Block Fittings #6 & #8	F31-6064, 1E5715	<b>1000305617</b>
<b>CONVENTIONAL (MEDIUM DUTY, CLASS 5, 6,7)</b>				
2005-2008	All Models	All with 24-1/4" x 29-1/2" x 5/8" Pad fittings	F31-6042, F31-6043, 1E6043	<b>1000036679</b>
2006-2008	All Models	All with 15" x 31-1/4"	3S010633 9983	<b>1000624015</b>

**EVAPORATORS**

YEAR	MODEL	DESCRIPTION	OEM NO.	PART NO:
<b>320</b>				
1996-2014	320	All with Bergstrom Main Unit (exc. RHD)	108291, NA1295	<b>108291</b>
<b>325</b>				
2000-2006	330,335,340	with Signet A/C	3X010018	<b>1000213241</b>
2009-2014	All Models	Main Unit	3S011453	<b>1001534189</b>
<b>330</b>				
2000-2006	330	with Signet A/C	3X010018	<b>1000213241</b>
2009-2014	All Models	Main Unit	3S011453	<b>1001534189</b>
<b>335</b>				
2000-2006	335	with Signet A/C	3X010018	<b>1000213241</b>
2009-2014	All Models	Main Unit	3S011453	<b>1001534189</b>
<b>340</b>				
2000-2006	340	with Signet A/C	3X010018	<b>1000213241</b>
2009-2014	All Models	Main Unit	3S011453	<b>1001534189</b>
<b>357</b>				
1990-1993	All Models	All Models with Red Dot Sleeper Unit	RD2-1402-0	<b>151356</b>
1998-2005	All Models	All with Signet A/C	3X010018	<b>1000213241</b>
2008-2010	All Models	All with Main Evaporator	3X011171	<b>1000213241</b>



800.499.6849 • shop.bergstrominc.com

69

1

MED/HEAVY DUTY APPS

**Peterbilt****EVAPORATORS**

YEAR	MODEL	DESCRIPTION	OEM NO.	PART NO:
<b>365</b>				
1990-1993	All Models	All Models with Red Dot Sleeper Unit	RD2-1402-0	151356
1998-2005	All Models	All with Signet A/C	3X010018	1000213241
2008-2010	All Models	All with Main Evaporator	3X011171	1000213241
<b>367</b>				
1990-1993	All Models	All Models with Red Dot Sleeper Unit	RD2-1402-0	151356
1998-2005	All Models	All with Signet A/C	3X010018	1000213241
2008-2010	All Models	All with Main Evaporator	3X011171	1000213241
<b>375</b>				
1990-1993	All Models	All Models with Red Dot Sleeper Unit	RD2-1402-0	151356
1998-2005	All Models	All with Signet A/C	3X010018	1000213241
2008-2010	All Models	All with Main Evaporator	3X011171	1000213241
<b>377</b>				
1990-1993	All Models	All Models with Red Dot Sleeper Unit	RD2-1402-0	151356
1998-2005	All Models	All with Signet A/C	3X010018	1000213241
2008-2010	All Models	All with Main Evaporator	3X011171	1000213241
<b>378</b>				
1990-1993	All Models	All Models with Red Dot Sleeper Unit	RD2-1402-0	151356
1998-2005	All Models	All with Signet A/C	3X010018	1000213241
2008-2010	All Models	All with Main Evaporator	3X011171	1000213241
<b>379</b>				
1990-1993	All Models	All Models with Red Dot Sleeper Unit	RD2-1402-0	151356
1998-2005	All Models	All with Signet A/C	3X010018	1000213241
2008-2010	All Models	All with Main Evaporator	3X011171	1000213241
<b>382</b>				
1990-1993	All Models	All Models with Red Dot Sleeper Unit	RD2-1402-0	151356
1998-2005	All Models	All with Signet A/C	3X010018	1000213241
2008-2010	All Models	All with Main Evaporator	3X011171	1000213241
<b>384</b>				
1990-1993	All Models	All Models with Red Dot Sleeper Unit	RD2-1402-0	151356
1998-2005	All Models	All with Signet A/C	3X010018	1000213241
2008-2010	All Models	All with Main Evaporator	3X011171	1000213241
<b>385</b>				
1990-1993	All Models	All Models with Red Dot Sleeper Unit	RD2-1402-0	151356
1998-2005	All Models	All with Signet A/C	3X010018	1000213241
2008-2010	385	with Signet Sleeper	3X011250	1001489683
2008-2010	All Models	All with Main Evaporator	3X011171	1000213241
<b>386</b>				
1990-1993	All Models	All Models with Red Dot Sleeper Unit	RD2-1402-0	151356
1998-2005	All Models	All with Signet A/C	3X010018	1000213241
2008-2010	386	with Signet Sleeper	3X011250	1001489683
2008-2010	All Models	All with Main Evaporator	3X011171	1000213241
<b>387</b>				
1990-1993	All Models	All Models with Red Dot Sleeper Unit	RD2-1402-0	151356
1998-2015	All Models	All with Signet A/C	3X010018	1000213241
1999-2014	387	All Models with Bergstrom Sleeper Unit	151339BSM	151339
1999-2014	387	All Models with Bergstrom Main Unit	151338BSM	151338
<b>388</b>				
1990-1993	All Models	All Models with Red Dot Sleeper Unit	RD2-1402-0	151356
1998-2005	All Models	All with Signet A/C	3X010018	1000213241
2009-2014	388	Main Unit	3S011453	1001534189

## EVAPORATORS

YEAR	MODEL	DESCRIPTION	OEM NO.	PART NO:
<b>389</b>				
1990-1993	All Models	All Models with Red Dot Sleeper Unit	RD2-1402-0	151356
1998-2005	All Models	All with Signet A/C	3X010018	1000213241
2008-2010	All Models	All with Main Evaporator	3X011171	1000213241
2008-2010	389	with Signet Sleeper	3X011250	1001489683
2009-2014	389	Main Unit	3S011453	1001534189
<b>587</b>				
1990-1993	All Models	All Models with Red Dot Sleeper Unit	RD2-1402-0	151356
1998-2005	All Models	All with Signet A/C	3X010018	1000213241
1999-2014	587	All Models with Bergstrom Sleeper Unit	151339BSM	151339
1999-2014	587	All Models with Bergstrom Main Unit	151338BSM	151338
<b>ALL OTHER MODELS</b>				
1986-1993	All with Bergstrom A/C	All Models with Sleeper Unit with Bergstrom A/C	151100, NA1030	151100
1987-1999	Conventional. & COE	with Red Dot A/C (Sleeper)	RD2-1402-0 NA1040	151356
<b>CONVENTIONAL (CLASS 8 - HIGHWAY AND VOCATIONAL)</b>				
1990-1993	All Models	All Models with Red Dot Sleeper Unit	RD2-1402-0	151356
1998-2005	All Models	All with Signet A/C	3X010018	1000213241
2008-2010	All Models	All with Main Evaporator	3X011171	1000213241
<b>CONVENTIONAL (MEDIUM DUTY, CLASS 5, 6,7)</b>				
2009-2014	All Models	Main Unit	3S011453	1001534189

## EXPANSION VALVES AND ORIFICE TUBES

YEAR	MODEL	DESCRIPTION	OEM NO.	PART NO:
<b>387</b>				
2007-2014	387	Sleeper with Bergstrom A/C 1.5 ton	549707BSM, 929-512	1000293541
<b>587</b>				
2011-2012	587	Main Unit with M10, M12 Ports 2 ton and bypass	540057BSM, EA14650	1001443771
2011-2014	587	Sleeper with flange type valve, 1/4 ton	540056BSM	1001443802
<b>CHASSIS AND CONVENTIONAL</b>				
1994-2010	All Models withoutrifice Tube	with Signet A/C (red tube) NOTE: for Enhanced Cooling use #2001057 (orange)	P93CAB2500-01S, EC1015	540018
1997-2002	All Models with InternAlly Equalized	with Signet A/C sleeper (In: 16mm/Out: 20mm) 16.5" tube	P93CAC3900-02, 31134-01	1001443787
1997-2005	All Models withoutrifice Tube	with Signet A/C withoutrifice tube (orange)	5X010061	540266
1997-2007	All Models with Block Expansion Valve	with Bergstrom A/C	EA1315	1001443384
1999-2005	All Models with Block Expansion Valve	Sleeper with Bergstrom A/C	540044BSM	1001443774
1999-2011	All Models	with Bergstrom Main Unit	540057BSM	1001443771
2008-2012	All Models	Main Unit with M10, M12 Ports 2 ton and bypass	549708BSM, 929-513	1000293542
2011	Sleeper	Sleeper Unit; Block Type Expansion Valve	5X013432	1000122061
All	All Models	1.5 Ton With Switch ports	1000355817	1000355817
All	All Models	2 Ton With Switch ports	1000352807	1000352807
All	All Models with InternAlly Equalized	All without O-ring type valve (externally equalized)	RD53824-0	B404292
<b>COE</b>				
1994-2010	All Models withoutrifice Tube	with Signet A/C (red tube) NOTE: for Enhanced Cooling use #2001057 (orange)	P93CAB2500-01S, EC1015	540018
1997-2002	All Models with InternAlly Equalized	with Signet A/C sleeper (In: 16mm/Out: 20mm) 16.5" tube	P93CAC3900-02, 31134-01	1001443787
1997-2005	All Models withoutrifice Tube	with Signet A/C withoutrifice tube (orange)	5X010061	540266
1997-2007	All Models with Block Expansion Valve	with Bergstrom A/C	EA1315	1001443384



800.499.6849 • shop.bergstrominc.com

71

1

MED/HEAVY DUTY APPS

**Peterbilt****EXPANSION VALVES AND ORIFICE TUBES**

YEAR	MODEL	DESCRIPTION	OEM NO.	PART NO:
1999-2005	All Models with Block Expansion Valve	Sleeper with Bergstrom A/C	540044BSM	<b>1001443774</b>
1999-2011	All Models	with Bergstrom Main Unit	540057BSM	<b>1001443771</b>
2008-2012	All Models	Main Unit with M10, M12 Ports 2 ton and bypass	549708BSM, 929-513	<b>1000293542</b>
2011	Sleeper	Sleeper Unit; Block Type Expansion Valve	5X013432	<b>1000122061</b>
All	All Models	1.5 Ton with Switch ports	1000355817	<b>1000355817</b>
All	All Models	2 Ton with Switch ports	1000352807	<b>1000352807</b>
All	All Models with InternAlly Equalized	All without O-ring type valve (externally equalized)	RD53824-0	<b>B404292</b>

**COE, CHASIS & CONVENTIONAL**

1976-1996	All Models with Block Expansion Valve	All Models	18-04275, EA1065, RD4157-0, BSM308011, 18-04275,404098, EA1065	<b>1001443791</b>
1994-2010	All Models without orifice Tube	with Signet A/C (red tube) NOTE: for Enhanced Cooling use #1652 (orange)	P93CAB2500-01S, EC1015, BSM308007	<b>540018</b>
1997-2002	All Models with InternAlly Equalized	with Signet A/C sleeper (In: 16mm/Out: 20mm) 16.5" tube	P93CAC3900-02, 31134-01	<b>1001443787</b>
1997-2005	All Models without orifice Tube	with Signet A/C without orifice tube (orange)	5X010061	<b>540266</b>
1997-2011	All Models	Sleeper w/Bergstrom A/C	540056BSM	<b>1001443802</b>
1999-2005	All Models with Block Expansion Valve	Sleeper with Bergstrom A/C	540044BSM	<b>1001443774</b>
1999-2011	All Models	with Bergstrom Main Unit	540057BSM	<b>1001443771</b>
2008-2012	All Models	Main Unit with M10, M12 Ports 2 ton and bypass	549708BSM, 929-513	<b>1000293542</b>
2008-2014	All Models	Main Unit with M10, M12 Ports 2 ton	3S011516, 5X013907	<b>1001443769</b>
2011-2011	Sleeper	Sleeper Unit, Block Type Expansion Valve	5X013432	<b>1000122061</b>
2013-2015	All Models	587 (Bergstrom Sleeper)	1000352807BSM	<b>1000352807</b>
All	All Models	All	1000352807	<b>1000352807</b>
All	All Models	All	1000352807	<b>1000355817</b>
All	All Models with InternAlly Equalized	All without O-ring type valve (externally equalized)	RD53824-0	<b>B404292</b>

**HEATER CORES**

YEAR	MODEL	DESCRIPTION	OEM NO.	PART NO:
<b>320</b>				
1988-2003	320	with Red Dot A/C	RD1-0715-0, MC1100	<b>1002301589</b>
1997-2014	320	All with Main Unit with Bergstrom A/C	108306, MC1365	<b>108289M</b>
<b>SLEEPER</b>				
2011-2014	384,386,388,389	Sleeper with Behr unit	HR1066001	<b>1000477648</b>

**RECEIVER DRIERS/ACCUMULATORS**

YEAR	MODEL	DESCRIPTION	OEM NO.	PART NO:
<b>310</b>				
1990-1993	All Models	All Models	JA109	<b>1001451908</b>
1990-1993	All Models	with Kysor A/C	JA2120	<b>1001452318</b>
1990-1993	All Models	All Models	JA1085	<b>540059</b>
1994-2014	All Models	with male/female O-ring; with (2) M10 metric ports	18-03783	<b>1001450297</b>
1994-2014	All Models	with Red Dot A/C	JA1090	<b>540062</b>
<b>320</b>				
1990-1993	All Models	All Models	JA109	<b>1001451908</b>
1990-1993	All Models	with Kysor A/C	JA2120	<b>1001452318</b>
1990-1993	All Models	All Models	JA1085	<b>540059</b>
1994-2014	All Models	with male/female O-ring; with (2) M10 metric ports	18-03783	<b>1001450297</b>
1994-2014	All Models	with Red Dot A/C	JA1090	<b>540062</b>



## RECEIVER DRIERS/ACCUMULATORS

YEAR	MODEL	DESCRIPTION	OEM NO.	PART NO:
<b>325</b>				
1995-1999	All Models	with Accumulator (Signet A/C)	18-03837, 700001, BSM319029, JC1080, P93AAA-0101-01	<b>1001451954</b>
1999-2010	325	Accumulator with Pad mount fittings	F31-6063, 18-04171	<b>1001451959</b>
2010-2012	325	Drier, with Pad mount fittings	F37-6002	<b>1001452021</b>
<b>330</b>				
1995-1999	All Models	with Accumulator (Signet A/C)	18-03837, 700001, BSM319029, JC1080, P93AAA-0101-01	<b>1001451954</b>
1999-2010	330	Accumulator with Pad mount fittings	F31-6063, 18-04171	<b>1001451959</b>
2010-2012	330	Drier, with Pad mount fittings	F37-6002	<b>1001452021</b>
<b>335</b>				
1995-1999	All Models	with Accumulator (Signet A/C)	18-03837, 700001, BSM319029, JC1080, P93AAA-0101-01	<b>1001451954</b>
1999-2010	335	Accumulator with Pad mount fittings	F31-6063, 18-04171	<b>1001451959</b>
2010-2012	335	Drier, with Pad mount fittings	F37-6002	<b>1001452021</b>
<b>340</b>				
1995-1999	All Models	with Accumulator (Signet A/C)	18-03837, 700001, BSM319029, JC1080, P93AAA-0101-01	<b>1001451954</b>
1999-2010	340	Accumulator with Pad mount fittings	F31-6063, 18-04171	<b>1001451959</b>
2010-2012	340	Drier with Pad mount fittings	F37-6002	<b>1001452021</b>
<b>357</b>				
1990-1993	All Models	3" Diameter 10" Drier #6 Male	18-03076, JA1300, BSM319164, 18-030761-00, 088056-01	<b>1001451454</b>
1990-1993	All Models	All Models R12/R134a	18-01800	<b>540111C</b>
1993-1995	All Models	3" Diameter 8" #6 Male O-ring with (2) Ports	18-03619, 088250-00	<b>1001478794</b>
1993-1999	All Models	with male/female O-ring with (2) M10 metric ports	18-03783, 18-03076, 088301-00, 088301-01	<b>1001450297</b>
1995-2002	All Models	with Accumulator (Signet A/C)	18-03837, 700001, BSM319029, P93AAA-0101-01, JC1080	<b>1001451954</b>
1998-2010	357	Accumulator with Pad mount fittings	F31-6063, 18-04171	<b>1001451959</b>
<b>365</b>				
1990-1993	All Models	All Models R12/R134a	18-01800	<b>540111C</b>
1990-1993	All Models	3" Diameter 10" Drier #6 Male	18-03076, JA1300, BSM319164, 18-030761-00, 088056-01	<b>1001451454</b>
1993-1995	All Models	3" Diameter 8" #6 Male O-ring with (2) Ports	18-03619, 088250-00	<b>1001478794</b>
1993-1999	All Models	with male/female O-ring with (2) M10 metric ports	18-03783, 18-03076, 088301-00, 088301-01	<b>1001450297</b>
1995-2002	All Models	with Accumulator (Signet A/C)	18-03837, 700001, BSM319029, P93AAA-0101-01, JC1080	<b>1001451954</b>
2009-2011	365	Sleeper, Drier with Pad mount fittings	F37-6008	<b>1001452027</b>
2009-2011	365	Drier, with Pad mount fittings	F37-6009	<b>1001452028</b>
<b>367</b>				
1990-1993	All Models	All Models R12/R134a	18-01800	<b>540111C</b>
1990-1993	All Models	3" Diameter 10" Drier #6 Male	18-03076, JA1300, BSM319164, 18-030761-00, 088056-01	<b>1001451454</b>
1993-1995	All Models	3" Diameter 8" #6 Male O-ring with (2) Ports	18-03619, 088250-00	<b>1001478794</b>
1993-1999	All Models	with male/female O-ring with (2) M10 metric ports	18-03783, 18-03076, 088301-00, 088301-01	<b>1001450297</b>



800.499.6849 • shop.bergstrominc.com

73

1

MED/HEAVY DUTY APPS

**Peterbilt****RECEIVER DRIERS/ACCUMULATORS**

YEAR	MODEL	DESCRIPTION	OEM NO.	PART NO:
1995-2002	All Models	with Accumulator (Signet A/C)	18-03837, 700001, BSM319029, P93AAA-0101-01, JC1080	<b>1001451954</b>
2009-2011	367	Sleeper, Drier with Pad mount fittings	F37-6008	<b>1001452027</b>
2009-2011	367	Drier, with Pad mount fittings	F37-6009	<b>1001452028</b>
<b>375</b>				
1990-1993	All Models	All Models R12/R134a	18-01800	<b>540111C</b>
1990-1993	All Models	3" Diameter 10" Drier #6 Male	18-03076, JA1300, BSM319164, 18-030761-00, 088056-01	<b>1001451454</b>
1993-1995	All Models	3" Diameter 8" #6 Male O-ring with (2) Ports	18-03619, 088250-00	<b>1001478794</b>
1993-1999	All Models	with male/female O-ring with (2) M10 metric ports	18-03783, 18-03076, 088301-00, 088301-01	<b>1001450297</b>
1995-2002	All Models	with Accumulator (Signet A/C)	18-03837, 700001, BSM319029, P93AAA-0101-01, JC1080	<b>1001451954</b>
<b>377</b>				
1990-1993	All Models	All Models R12/R134a	18-01800	<b>540111C</b>
1990-1993	All Models	3" Diameter 10" Drier #6 Male	18-03076, JA1300, BSM319164, 18-030761-00, 088056-01	<b>1001451454</b>
1993-1995	All Models	3" Diameter 8" #6 Male O-ring with (2) Ports	18-03619, 088250-00	<b>1001478794</b>
1993-1999	All Models	with male/female O-ring with (2) M10 metric ports	18-03783, 18-03076, 088301-00, 088301-01	<b>1001450297</b>
1995-2002	All Models	with Accumulator (Signet A/C)	18-03837, 700001, BSM319029, P93AAA-0101-01, JC1080	<b>1001451954</b>
1998-2010	377	Accumulator with Pad mount fittings	F31-6063, 18-04171	<b>1001451959</b>
<b>378</b>				
1990-1993	All Models	All Models R12/R134a	18-01800	<b>540111C</b>
1990-1993	All Models	3" Diameter 10" Drier #6 Male	18-03076, JA1300, BSM319164, 18-030761-00, 088056-01	<b>1001451454</b>
1993-1995	All Models	3" Diameter 8" #6 Male O-ring with (2) Ports	18-03619, 088250-00	<b>1001478794</b>
1993-1999	All Models	with male/female O-ring with (2) M10 metric ports	18-03783, 18-03076, 088301-00, 088301-01	<b>1001450297</b>
1995-2002	All Models	with Accumulator (Signet A/C)	18-03837, 700001, BSM319029, P93AAA-0101-01, JC1080	<b>1001451954</b>
<b>379</b>				
1990-1993	All Models	All Models R12/R134a	18-01800	<b>540111C</b>
1990-1993	All Models	3" Diameter 10" Drier #6 Male	18-03076, JA1300, BSM319164, 18-030761-00, 088056-01	<b>1001451454</b>
1993-1995	All Models	3" Diameter 8" #6 Male O-ring with (2) Ports	18-03619, 088250-00	<b>1001478794</b>
1993-1999	All Models	with male/female O-ring with (2) M10 metric ports	18-03783, 18-03076, 088301-00, 088301-01	<b>1001450297</b>
1995-2002	All Models	with Accumulator (Signet A/C)	18-03837, 700001, BSM319029, P93AAA-0101-01, JC1080	<b>1001451954</b>
1998-2010	379	Accumulator with Pad mount fittings	F31-6063, 18-04171	<b>1001451959</b>
<b>382</b>				
1990-1993	All Models	All Models R12/R134a	18-01800	<b>540111C</b>
1990-1993	All Models	3" Diameter 10" Drier #6 Male	18-03076, JA1300, BSM319164, 18-030761-00, 088056-01	<b>1001451454</b>
1993-1995	All Models	3" Diameter 8" #6 Male O-ring with (2) Ports	18-03619, 088250-00	<b>1001478794</b>

## RECEIVER DRIERS/ACCUMULATORS

YEAR	MODEL	DESCRIPTION	OEM NO.	PART NO:
1993-1999	All Models	with male/female O-ring with (2) M10 metric ports	18-03783, 18-03076, 088301-00, 088301-01	<b>1001450297</b>
1995-2002	All Models	with Accumulator (Signet A/C)	18-03837, 700001, BSM319029, P93AAA-0101-01, JC1080	<b>1001451954</b>
2009-2014	382	Sleeper, Drier with Pad mount fittings	F37-6008	<b>1001452027</b>
2009-2014	382	Main, Drier with Pad mount fittings	F37-6009	<b>1001452028</b>
<b>384</b>				
1990-1992	All Models	3" Diameter 10" Drier #6 Male	18-03076, JA1300, BSM319164, 18-030761-00, 088056-01	<b>1001451454</b>
1990-1993	All Models	All Models R12/R134a	18-01800	<b>540111C</b>
1993-1995	All Models	3" Diameter 8" #6 Male O-ring with (2) Ports	18-03619, 088250-00	<b>1001478794</b>
1993-1999	All Models	with male/female O-ring with (2) M10 metric ports	18-03783, 18-03076, 088301-00, 088301-01	<b>1001450297</b>
1995-2002	All Models	with Accumulator (Signet A/C)	18-03837, 700001, BSM319029, P93AAA-0101-01, JC1080	<b>1001451954</b>
1998-2010	384	Accumulator with Pad mount fittings	F31-6063, 18-04171	<b>1001451959</b>
2009-2014	384	Sleeper, Drier with Pad mount fittings	F37-6008	<b>1001452027</b>
2009-2014	384	Main, Drier with Pad mount fittings	F37-6009	<b>1001452028</b>
<b>385</b>				
1990-1993	All Models	All Models R12/R134a	18-01800	<b>540111C</b>
1991-1993	All Models	3" Diameter 10" Drier #6 Male	18-03076, JA1300, BSM319164, 18-030761-00, 088056-01	<b>1001451454</b>
1993-1995	All Models	3" Diameter 8" #6 Male O-ring with (2) Ports	18-03619, 088250-00	<b>1001478794</b>
1993-1999	All Models	with male/female O-ring with (2) M10 metric ports	18-03783, 18-03076, 088301-00, 088301-01	<b>1001450297</b>
1995-2002	All Models	with Accumulator (Signet A/C)	18-03837, 700001, BSM319029, P93AAA-0101-01, JC1080	<b>1001451954</b>
<b>386</b>				
1990-1993	All Models	All Models R12/R134a	18-01800	<b>540111C</b>
1990-1993	All Models	3" Diameter 10" Drier #6 Male	18-03076, JA1300, BSM319164, 18-030761-00, 088056-01	<b>1001451454</b>
1993-1995	All Models	3" Diameter 8" #6 Male O-ring with (2) Ports	18-03619, 088250-00	<b>1001478794</b>
1993-1999	All Models	with male/female O-ring with (2) M10 metric ports	18-03783, 18-03076, 088301-00, 088301-01	<b>1001450297</b>
1995-2002	All Models	with Accumulator (Signet A/C)	18-03837, 700001, BSM319029, P93AAA-0101-01, JC1080	<b>1001451954</b>
1998-2010	386	Accumulator with Pad mount fittings	F31-6063, 18-04171	<b>1001451959</b>
2009-2014	386	Sleeper, Drier with Pad mount fittings	F37-6008	<b>1001452027</b>
2009-2014	386	Main, Drier with Pad mount fittings	F37-6009	<b>1001452028</b>
<b>387</b>				
1990-1993	All Models	All Models R12/R134a	18-01800	<b>540111C</b>
1990-1993	All Models	3" Diameter 10" Drier #6 Male	18-03076, JA1300, BSM319164, 18-030761-00, 088056-01	<b>1001451454</b>
1993-1995	All Models	3" Diameter 8" #6 Male O-ring with (2) Ports	18-03619, 088250-00	<b>1001478794</b>
1993-1999	All Models	with male/female O-ring with (2) M10 metric ports	18-03783, 18-03076, 088301-00, 088301-01	<b>1001450297</b>
1995-2002	All Models	with Accumulator (Signet A/C)	18-03837, 700001, BSM319029, P93AAA-0101-01, JC1080	<b>1001451954</b>
2000-2012	387	Drier with manifold connection	F37-6000,C,JA2225	<b>1001452327</b>



800.499.6849 • shop.bergstrominc.com

75

1

MED/HEAVY DUTY APPS

**Peterbilt****RECEIVER DRIERS/ACCUMULATORS**

YEAR	MODEL	DESCRIPTION	OEM NO.	PART NO:
<b>388</b>				
1990-1993	All Models	All Models R12/R134a	18-01800	<b>540111C</b>
1990-1993	All Models	3" Diameter 10" Drier #6 Male	18-03076, JA1300, BSM319164, 18-030761-00, 088056-01	<b>1001451454</b>
1993-1995	All Models	3" Diameter 8" #6 Male O-ring with (2) Ports	18-03619, 088250-00	<b>1001478794</b>
1993-1999	All Models	with male/female O-ring with (2) M10 metric ports	18-03783, 18-03076, 088301-00, 088301-01	<b>1001450297</b>
1995-2002	All Models	with Accumulator (Signet A/C)	18-03837, 700001, BSM319029, P93AAA-0101-01, JC1080	<b>1001451954</b>
1998-2010	388	Accumulator with Pad mount fittings	F31-6063, 18-04171	<b>1001451959</b>
2009-2014	388	Sleeper, Drier with Pad mount fittings	F37-6008	<b>1001452027</b>
2009-2014	388	Main, Drier with Pad mount fittings	F37-6009	<b>1001452028</b>
<b>389</b>				
1990-1993	All Models	All Models R12/R134a	18-01800	<b>540111C</b>
1990-1993	All Models	3" Diameter 10" Drier #6 Male	18-03076, JA1300, BSM319164, 18-030761-00, 088056-01	<b>1001451454</b>
1993-1995	All Models	3" Diameter 8" #6 Male O-ring with (2) Ports	18-03619, 088250-00	<b>1001478794</b>
1993-1999	All Models	with male/female O-ring with (2) M10 metric ports	18-03783, 18-03076, 088301-00, 088301-01	<b>1001450297</b>
1995-2002	All Models	with Accumulator (Signet A/C)	18-03837, 700001, BSM319029, P93AAA-0101-01, JC1080	<b>1001451954</b>
1998-2010	389	Accumulator with Pad mount fittings	F31-6063, 18-04171	<b>1001451959</b>
2009-2014	389	Sleeper, Drier with Pad mount fittings	F37-6008	<b>1001452027</b>
2009-2014	389	Main, Drier with Pad mount fittings	F37-6009	<b>1001452028</b>
<b>587</b>				
1990-1993	All Models	All Models R12/R134a	18-01800	<b>540111C</b>
1990-1993	All Models	3" Diameter 10" Drier #6 Male	18-03076, JA1300, BSM319164, 18-030761-00, 088056-01	<b>1001451454</b>
1993-1995	All Models	3" Diameter 8" #6 Male O-ring with (2) Ports	18-03619, 088250-00	<b>1001478794</b>
1993-1999	All Models	with male/female O-ring with (2) M10 metric ports	18-03783, 18-03076, 088301-00, 088301-01	<b>1001450297</b>
1995-2002	All Models	with Accumulator (Signet A/C)	18-03837, 700001, BSM319029, P93AAA-0101-01, JC1080	<b>1001451954</b>
2000-2012	587	Drier with manifold connection	F37-6000, C, JA2225	<b>1001452327</b>
<b>CAB OVER ENGINE 362</b>				
1990-1993	362	2-3/4" Diameter drier with sight glass	18-02346	<b>1001478804</b>
<b>CAB OVER ENGINE 372</b>				
1990-1993	372	2-3/4" Diameter drier with sight glass	18-02346	<b>1001478804</b>
<b>CONVENTIONAL (CLASS 8 - HIGHWAY AND VOCATIONAL)</b>				
1990-1993	All Models	All Models R12/R134a	18-01800	<b>540111C</b>
1990-1993	All Models	3" Diameter 10" Drier #6 Male	18-03076, JA1300, BSM319164, 18-030761-00, 088056-01	<b>1001451454</b>
1993-1995	All Models	3" Diameter 8" #6 Male O-ring with (2) Ports	18-03619, 088250-00	<b>1001478794</b>
1993-1999	All Models	with male/female O-ring with (2) M10 metric ports	18-03783, 18-03076, 088301-00, 088301-01	<b>1001450297</b>
1995-2002	All Models	with Accumulator (Signet A/C)	18-03837, 700001, BSM319029, P93AAA-0101-01, JC1080	<b>1001451954</b>

## RECEIVER DRIERS/ACCUMULATORS

YEAR	MODEL	DESCRIPTION	OEM NO.	PART NO:
<b>CONVENTIONAL (MEDIUM DUTY, CLASS 5-6-7)</b>				
1995-1999	All Models	with Accumulator (Signet A/C)	18-03837, 700001, BSM319029, JC1080, P93AAA-0101-01	<b>1001451954</b>
<b>LOW CAB FORWARD</b>				
1990-1993	All Models	All Models	JA109	<b>1001451908</b>
1990-1993	All Models	with Kysor A/C	JA2120	<b>1001452318</b>
1990-1993	All Models	All Models	JA1085	<b>540059</b>
1994-2014	All Models	with male/female O-ring with (2) M10 metric ports	18-03783	<b>1001450297</b>
1994-2014	All Models	with Red Dot A/C	JA1090	<b>540062</b>

## RELAYS

YEAR	MODEL	DESCRIPTION	OEM NO.	PART NO
<b>CHASSIS AND CONVENTIONAL</b>				
1990-2014	All Models	with Mini Relay with 5 Terminal, 30 amp 12V	652420BSM, CB1115, 221568	<b>651150</b>
All	All Models	5 Terminal with Diode 40/30 amp 12V	650731BSM	<b>650731</b>
<b>COE</b>				
1990-2014	All Models	with Mini Relay with 5 Terminal, 30 amp 12V	652420BSM, CB1115, 221568	<b>651150</b>
All	All Models	5 Terminal with Diode 40/30 amp 12V	650731BSM	<b>650731</b>
<b>COE, CHASIS &amp; CONVENTIONAL</b>				
1986-2014	All Models	with Mini Relay with 5 terminals, 30 amp 12V	652420BSM, CB1115, 221568	<b>652420</b>
All	All Models	5 terminal with Diode 40/30 amp 12V	650731BSM	<b>651459</b>
All	All Models	Mini Relay (24V)	650690	<b>B222166</b>

## RESISTORS

YEAR	MODEL	DESCRIPTION	OEM NO.	PART NO:
<b>COE, CHASIS &amp; CONVENTIONAL</b>				
1973-1996	All Models	with Kysor A/C, (3 speed 3 terminal)	220990, CA1010	<b>650790</b>
1987-2000	All Models	with Red Dot A/C 3 terminal	RD5-3647-0, CA1000, BSM321060	<b>650441</b>
1991-1996	All Models	with Bergstrom Main Unit	CA1035	<b>650179</b>
1994-2014	All Models	with Signet main & Sleeper Unit (4 terminal)	5X010040	<b>1000206429</b>
1995-2009	All Models	with Bergstrom 3 speed, 3 terminal	650179, CA1035	<b>650179</b>
1995-2014	All Models	with Bergstrom main & Sleeper Unit; 4 speed 4 terminal	<b>650475BSM</b> , CA1070	<b>650475</b>
All	All Models	*P* suffix designates Peterbilt Style	P93CAA3100-01S	<b>1000206429</b>

## SWITCHES - BLOWER

YEAR	MODEL	DESCRIPTION	OEM NO.	PART NO:
<b>CHASSIS AND CONVENTIONAL</b>				
1990-1994	All Models	Blower Switch (off-on-on) 5 Terminal	BSM322005, BA1205, RD5-4694-0, INM5D235,	<b>650438</b>
All	All Models	Fan Switch (rotary, 5 Terminal)	BA1020, BA1190, 1-1019Q, 1-2968Q	<b>890072</b>
<b>COE</b>				
1990-1994	All Models	Blower Switch (off-on-on) 5 Terminal	BSM322005, BA1205, RD5-4694-0, INM5D235,	<b>650438</b>
All	All Models	Fan Switch (rotary, 5 Terminal)	BA1020, BA1190, 1-1019Q, 1-2968Q	<b>890072</b>



1

MED/HEAVY DUTY APPS

**Peterbilt****SWITCHES - BLOWER**

YEAR	MODEL	DESCRIPTION	OEM NO.	PART NO:
<b>COE, CHASIS &amp; CONVENTIONAL</b>				
1973-1986	COE	Bunk Switch (4 terminal)	221030, BE1000, 221030, BE1000	<b>B222013</b>
1977-1986	Conventional	On-Off Switch (toggle, 4 terminal)	221181KB, BA1180, 1-6335Q	<b>B221181</b>
1987-1994	All Models	Blower Switch (off-on-on) 5 Terminal	BSM322005, BA1205, RD5-4694-0, INM5D235,	<b>650438</b>
All	All Models	Fan Switch (rotary, 5 terminal)	BA1020, BA1190, 1-1019Q, 1-2968Q	<b>650657</b>

**SWITCHES - POTENTIOMETER**

YEAR	MODEL	DESCRIPTION	OEM NO.	PART NO:
<b>ALL OTHER MODELS</b>				
All	All Models	Cab Control - Potentiometer (female connector)	650465BSM, ACH50P1	<b>650465</b>

**SWITCHES - PRESSURE**

YEAR	MODEL	DESCRIPTION	OEM NO.	PART NO:
<b>357</b>				
1990-2000	357	Low Pressure – Normally Open	20PS39-10, 20PS39-40, 18-03285, RD5-6395-0, BB1005	<b>650629</b>
<b>375</b>				
1990-2000	375	Low Pressure – Normally Open	20PS39-10, 20PS39-40, 18-03285, RD5-6395-0, BB1005	<b>650629</b>
<b>377</b>				
1990-2000	377	Low Pressure – Normally Open	20PS39-10, 20PS39-40, 18-03285, RD5-6395-0, BB1005	<b>650629</b>
<b>378</b>				
1990-2000	378	Low Pressure – Normally Open	20PS39-10, 20PS39-40, 18-03285, RD5-6395-0, BB1005	<b>650629</b>
<b>379</b>				
1990-2000	379	Low Pressure – Normally Open	20PS39-10, 20PS39-40, 18-03285, RD5-6395-0, BB1005	<b>650629</b>
<b>387</b>				
1990-2006	387	Low Pressure – Normally Open, M12 – 2 pin, opens 30psi / closes 13psi (note: for Pigtail use #2601402)	650446BSM	<b>1000250290</b>
<b>CHASSIS AND CONVENTIONAL</b>				
1996-2007	All Models	Low Pressure Switch	CCH33P1	<b>1001513275</b>
<b>COE</b>				
1996-2007	All Models	Low Pressure Switch	CCH33P1	<b>1001513275</b>
<b>ALL OTHER MODELS</b>				
1996-2007	All Models	Low Pressure Switch	CCH33P1	<b>1001513275</b>
1995-2012	All Models	High Pressure – Normally Closed, M10 Female (purple) (note: for Pigtail use #2601402)	P93CAA-3605-1, 18-03835, RD5-8220-0	<b>651323</b>
1995-2014	All Models	Fan Over ride – Normally Closed (orange) opens 310psi / closes 240psi (note: for Pigtail use #2601402)	79PSL3-4, 650469BSM	<b>1000335581</b>
1995-2014	All Models	Fan Over ride - Normally Open, M10, (grey); opens 200psi / closes 270psi (note: for Pigtail use #1546)	P93CAA-3606-1, 18-03836	<b>651187</b>
1999-2014	All Models	High Pressure – Normally Closed, M10 (Bergstrom) (note: for Pigtail use #2601402)	650697BSM	<b>1000198478</b>

## SWITCHES - PRESSURE

YEAR	MODEL	DESCRIPTION	OEM NO.	PART NO:
2006-2014	All Models	Low Pressure – Normally Open, M12, 2 pin (green)	650442BSM, 652578BSM, C5652578	<b>1000198469</b>
2008-2013	All Models	Low Pressure - M12 Thread	P27-6142	<b>1001513275</b>
2008-2014	All Models	High Pressure – Normally Closed, 250/100 psi, 1/4"Female	404192BSM	<b>650594</b>
2008-2014	All Models	High Pressure - Normally Closed, 250/100 psi 1/4" Female	404192BSM	<b>B404123</b>
All	All Models	Low Pressure – Normally Open, 2 Spade (Drier Mount)	735203-1, BB1000	<b>B404097</b>
All	All Models	Fan Override – Trinary™ Normally closed, female 1/4"	RD5-4625-0	<b>650627</b>

## SWITCHES - THERMOSTATIC

YEAR	MODEL	DESCRIPTION	OEM NO.	PART NO:
<b>310</b>				
1979-1986	310	All Models with Red Dot A/C	RD4427-24, BD1065, BD1075	<b>650878</b>
<b>320</b>				
2012-2014	320	All with preset type 30" Capillary Tube	BD14300	<b>589490</b>
<b>357</b>				
1999-2014	All Models	All with preset type 12" Capillary Tube	650163, BD1355	<b>650163</b>
<b>377</b>				
1973-1976	All Models	Except above with rotary knob control	404082, BD1035	<b>650649</b>
1999-2014	All Models	All with preset type 12" Capillary Tube	650163, BD1355	<b>650163</b>
<b>378</b>				
1973-1976	All Models	Except above with rotary knob control	404082, BD1035	<b>650649</b>
1999-2014	All Models	All with preset type 12" Capillary Tube	650163, BD1355	<b>650163</b>
<b>379</b>				
1973-1976	All Models	Except above with rotary knob control	404082, BD1035	<b>650649</b>
1999-2014	All Models	All with preset type 12" Capillary Tube	650163, BD1355	<b>650163</b>
<b>384</b>				
1973-1976	All Models	Except above with rotary knob control	404082, BD1035	<b>650649</b>
1999-2014	All Models	All with preset type 12" Capillary Tube	650163, BD1355	<b>650163</b>
<b>385</b>				
1999-2014	All Models	All with preset type 12" Capillary Tube	650163, BD1355	<b>650163</b>
<b>387</b>				
1973-1976	All Models	Except above with rotary knob control	404082, BD1035	<b>650649</b>
1999-2014	All Models	All with preset type 12" Capillary Tube	650163, BD1355	<b>650163</b>
<b>388</b>				
1973-1976	All Models	Except above with rotary knob control	404082, BD1035	<b>650649</b>
1999-2014	All Models	All with preset type 12" Capillary Tube	650163, BD1355	<b>650163</b>
<b>389</b>				
1973-1976	All Models	Except above with rotary knob control	404082, BD1035	<b>650649</b>
1999-2014	All Models	All with preset type 12" Capillary Tube	650163, BD1355	<b>650163</b>
<b>587</b>				
<b>CONVENTIONAL</b>				
1973-1976	All Models	Except above with rotary knob control	404082, BD1035	<b>650649</b>
1999-2014	All Models	All with preset type 12" Capillary Tube	650163, BD1355	<b>650163</b>



1

**Peterbilt****WATER VALVES**

MED/HEAVY DUTY APPS

YEAR	MODEL	DESCRIPTION	OEM NO.	PART NO:
<b>COE, CHASIS &amp; CONVENTIONAL</b>				
1983-2000	All Models	All with cable operation valve with Kysor valve	173096	<b>1000346064</b>
1983-2000	All Models	All with cable operation valve with Kysor valve	MA1010	<b>1000348325</b>
2008-2011	T270 - T800	Heater Vlv Cable Operated, pull-to-close	870084, MA1695	<b>870084</b>
2008-2011	All Models	Elec. Operated, 4 Pin, 5/8" Hose End	868505, MA1685	<b>1000346874</b>



**ACTUATORS**

YEAR	MODEL	DESCRIPTION	OEM NO.	PART NO:
<b>VHD SERIES</b>				
2010-2014	All Models	Actuator	20443814	<b>1001272224</b>
<b>VN SERIES</b>				
2010-2014	All Models	Actuator	20443814	<b>1001272224</b>
<b>VT SERIES</b>				
2010-2014	All Models	Actuator without E	20443814	<b>1001272224</b>

**AIR FILTERS**

YEAR	MODEL	DESCRIPTION	OEM NO.	PART NO:
<b>ALL OTHER MODELS</b>				
2008-2013	All Models	with 10" x 9-7/8" x 1"	3543-H963	<b>1001272970</b>
<b>VN SERIES</b>				
2003-2014	VN Series	All with 12" x 9" x 1-1/4" (under hood)	20435801, VO0201P	<b>1000883432</b>

**BLOWER MOTORS**

YEAR	MODEL	DESCRIPTION	OEM NO.	PART NO:
<b>ALL OTHER MODELS</b>				
All	All Models	All Models	3949265	<b>1000142451</b>
All	All Models	All Models	3949266	<b>203061</b>
All	All Models	All Models	3949388	<b>203255</b>
All	All Models	All Models	3949265	<b>890050</b>
All	All Models	All Models	3949261	<b>203156</b>
All	All Models	All Models	1707646	<b>201520</b>
All	All Models	All Models	3918242	<b>203132</b>
All	All Models	All Models	3949262, 8911949	<b>203249</b>
All	All Models	All Models	3949266	<b>203090</b>
All	All Models	All Models	60009-5014	<b>203336</b>
<b>FE</b>				
1990-1993	FE Series	All Models with Kysor unit	176118	<b>203179</b>
<b>VH</b>				
2014	All Models	Front and Auxiliary, with blend air system	BOA94350, BOAD8587, 85104207	<b>203368</b>
<b>VHD SERIES</b>				
2009	All Models	All Main Units with Behr unit, with wheel	BOA80-415-00-769, 3946686, 2809-841-034	<b>203356</b>
2010-2014	All Models	with Behr - Main Unit, Double Blower Assembly, 12V,	85120276	<b>1000954752</b>
<b>VN SERIES</b>				
1996-1998	VN 420,610,770	All sleeper Models with Behr unit, CW, with wheel	3949102, BOA85-440-51-009	<b>868790</b>
1997-2003	VN 770 Series	All sleepers with Behr Unit, CCW, motor with wheel	3949886, BSM301101, 203095, PF26137Q	<b>869701</b>
2009	All Models	All Main Units with Behr unit with wheel	BOA80-415-00-769, 3946686, 2809-841-034	<b>203356</b>
2010-2014	All Models	with Behr - Main Unit, Double Blower Assembly, 12V,	85120276	<b>1000954752</b>
2014	All Models	Front and Auxiliary with blend air system	BOA94350, BOAD8587, 85104207	<b>203368</b>
<b>VT SERIES</b>				
2009	All Models	All Main Units with Behr unit with wheel	BOA80-415-00-769, 3946686, 2809-841-034	<b>203356</b>
2010-2014	All Models	with Behr - Main Unit, Double Blower Assembly, 12V	85120276	<b>1000954752</b>



800.499.6849 • shop.bergstrominc.com

81

1

MED/HEAVY DUTY APPS

**Volvo****BLOWER MOTORS**

YEAR	MODEL	DESCRIPTION	OEM NO.	PART NO:
2014	All Models	Front and Auxiliary with blend air system	BOA94350, BOAD8587, 85104207	<b>203368</b>
<b>WXLL</b>				
1988-2002	WX Dual	with Bosch Motor (single shaft), Main Unit (complete assembly with plenum and wheels)	203038, 60009-5025	<b>868013</b>
1999-2000	WH, WX, WXR	All Models with Bergstrom unit	3945237	<b>205853</b>
<b>XPEDITOR</b>				
1988-2002	Xpeditor	with Bosch Motor (single shaft), Main Unit (complete assembly with plenum and wheels)	203038, 60009-5025	<b>868013</b>

**BLOWER WHEELS**

YEAR	MODEL	DESCRIPTION	OEM NO.	PART NO:
<b>ALL OTHER MODELS</b>				
All	All Models	All Models	60010-5002	<b>B260720</b>
All	All Models	All Models	3949274	<b>529800</b>
All	All Models	All Models	60010-5014	<b>B260680</b>
<b>FE</b>				
1990-1991	FE Series	with Kysor, Classic Six A/C	260680	<b>B260680</b>
<b>VN SERIES</b>				
1997-2006	VN Series	Sleeper, 5-23/32" Diameter, CW, plastic	BSM302011, 3947421	<b>510026</b>
<b>XPEDITOR</b>				
1994-2002	Xpeditor	All with Bergstrom (Main Unit), 4-1/2" Diameter, plastic	589540	<b>589540</b>

**CLUTCHES**

YEAR	MODEL	DESCRIPTION	OEM NO.	PART NO:
<b>ALL OTHER MODELS WITH YORK/T/CCI - STYLE COMPRESSOR</b>				
All	All Models	2 groove, 6" Diameter, with diode Weatherpack, Heavy Duty	024-21590, 10884, 501939, 61103-0017, V1118116,	<b>1000139242</b>

**CONDENSERS**

YEAR	MODEL	DESCRIPTION	OEM NO.	PART NO:
<b>ALL OTHER MODELS</b>				
1994-1999	All Volvo White	15" x 26-1/4"	8164786, 1210317	<b>1000617199</b>
1994-2000	All Volvo White	14-1/2" x 26-1/4"	8022509	<b>1000699318</b>
<b>RBII</b>				
1976-1986	RBII	All Models with serpentine type condenser (generic type)	61203-3001	<b>B401036</b>
<b>RBXI</b>				
1976-1986	RXII	All Models with serpentine type condenser (generic type)	61203-3001	<b>B401036</b>
<b>VHD SERIES</b>				
2007-2014	All Models	All with 31-1/2" x 16-1/4" Aluminum (Pad mount)	8084348, 20461065, 3092918	<b>1000624642</b>
<b>VN SERIES</b>				
2007-2014	All Models	All with 31-1/2" x 16-1/4" Aluminum (Pad mount)	8084348, 20461065, 3092918	<b>1000624642</b>
<b>VT SERIES</b>				
2007-2014	All Models	All with 31-1/2" x 16-1/4" Aluminum (Pad mount)	8084348, 20461065, 3092918	<b>1000624642</b>
<b>WFL</b>				
1975-1986	WFL	All Models with serpentine type cond. (O-ring type)	61203-3001	<b>B401036</b>

82



800.499.6849 • shop.bergstrominc.com

**EVAPORATORS**

YEAR	MODEL	DESCRIPTION	OEM NO.	PART NO:
<b>VN SERIES</b>				
1996-2001	VN 420, 610	All Models with Bergstrom evaporator (sleeper)	BSM307310, 3947415	<b>151336</b>
<b>WCA</b>				
1990-1998	WCA	All main evaporators with Bergstrom evaporator	3916676, 868333, 3915965, 151326	<b>151326</b>
<b>WG</b>				
1990-1998	WG	All main evaporators with Bergstrom evaporator	3916676, 868333, 3915965, 151326	<b>151326</b>
<b>WIA</b>				
1990-1998	WIA	All main evaporators with Bergstrom evaporator	3916676, 868333, 3915965, 151326	<b>151326</b>
<b>WX</b>				
1990-2000	WX	All Models with Bergstrom evaporator	BSM307285, 3916676, 868333, 3915965, 151326	<b>151326</b>

**EXPANSION VALVES AND ORIFICE TUBES**

YEAR	MODEL	DESCRIPTION	OEM NO.	PART NO:
<b>ALL OTHER MODELS</b>				
All	All Models	with Sleeper; Solenoid for Sleeper Cab	RD4188-0, 176285, 176286	<b>650254-S</b>
All	All Models	with externally equalized valve (O-ring)	60012-5002	<b>B404292</b>
<b>VHD SERIES</b>				
1996-2002	All Models	Block type valve with Slimline fittings with equalizer bypass	3946673	<b>1001443376</b>
2003-2010	All Models	All Models with block type valve	20443850, BOAA4931, BOA73079	<b>1000122061</b>
2010-2014	All Models	All Models with Behr Sleeper	85104197	<b>1000477644</b>
2010-2014	All Models	All Models with Behr Main Unit	85120289, BOAV5778001	<b>1001276615</b>
2010-2014	All Models	All Models with Behr Sleeper	85104197	<b>1000477674</b>
<b>VN SERIES</b>				
1996-2002	All Models	Block type valve with Slimline fittings with equalizer bypass	3946673	<b>1001443376</b>
2003-2010	All Models	All Models with block type valve	20443850, BOAA4931, BOA73079	<b>1000122061</b>
2010-2014	All Models	All Models with Behr Sleeper	85104197	<b>1000477674</b>
2010-2014	All Models	All Models with Behr Sleeper	85104197	<b>1000477644</b>
2010-2014	All Models	All Models with Behr Main Unit	85120289, BOAV5778001	<b>1001276615</b>
<b>VT SERIES</b>				
2003-2010	All Models	All Models with block type valve	20443850, BOAA4931, BOA73079	<b>1000122061</b>
2010-2014	All Models	All Models with Behr Sleeper	85104197	<b>1000477674</b>
2010-2014	All Models	All Models with Behr Sleeper	85104197	<b>1000477644</b>
2010-2014	All Models	All Models with Behr Main Unit	85120289, BOAV5778001	<b>1001276615</b>

**HEATER CORES**

YEAR	MODEL	DESCRIPTION	OEM NO.	PART NO:
<b>VHD SERIES</b>				
2010-2014	All Models	All (Main cab) 14-3/4" x 7" x 1-1/4"	85120277	<b>1001275789</b>
<b>VN SERIES</b>				
2010-2014	All Models	All (Main cab) 14-3/4" x 7" x 1-1/4"	85120277	<b>1001275789</b>
<b>VT SERIES</b>				
2010-2014	All Models	All (Main cab) 14-3/4" x 7" x 1-1/4"	85120277	<b>1001275789</b>

800.499.6849 • [shop.bergstrominc.com](http://shop.bergstrominc.com)

83

1

MED/HEAVY DUTY APPS

**Volvo****RECEIVER DRIERS/ACCUMULATORS**

YEAR	MODEL	DESCRIPTION	OEM NO.	PART NO:
<b>ALL OTHER MODELS</b>				
All	All Models	All Models with O-ring fitting with MI	8025531, 61510-0008	<b>1001452029</b>
All	All Models	All Models	61510-0001, 7077922	<b>B402565</b>
All	All Models	All Models	3441124, 61510-0006	<b>540059</b>
All	All Models	All Models	564252	<b>540104</b>
<b>FE</b>				
1990-1992	FE Series	All Models with Kysor A/C	402562	<b>1001478801</b>
<b>RBII</b>				
1990-1992	RBII	All Models	61510-0006	<b>1001452029</b>
<b>VHD SERIES</b>				
1996-2000	VHD	All Models (straight fittings)	20407203	<b>1001452030</b>
1998-2014	All Models	All Models with O-ring fitting with MI	20447319, 8086753, 088485-01, 088485-02	<b>1001452029</b>
<b>VN SERIES</b>				
1996-2000	VN	All Models (straight fittings)	20407203	<b>1001452030</b>
1998-2014	All Models	All Models with O-ring fitting with MI	20447319, 8086753, 088485-01, 088485-02	<b>1001452029</b>
<b>VT SERIES</b>				
1996-2000	VT	All Models (straight fittings)	20407203	<b>1001452030</b>
1998-2014	All Models	All Models with O-ring fitting with MI	20447319, 8086753, 088485-01, 088485-02	<b>1001452029</b>
<b>WG</b>				
1990-2006	WG	All Models with O-ring fitting with MI	20447205, 8025531, 088491-01, 61510-0008	<b>1001452029</b>
<b>WH</b>				
1990-1998	WH	All Models with O-ring fitting with MI	61510-0008	<b>1001452029</b>
<b>WIA</b>				
1990-2006	WIA	All Models with O-ring fitting with MI	20447205, 8025531, 088491-01, 61510-0008	<b>1001452029</b>
<b>WX</b>				
1990-1998	WX, WX Dual	All Models with O-ring fitting with MI	61510-0008	<b>1001452029</b>
<b>WXLL</b>				
1999-2000	WXLL	All Models with O-ring fitting with MI	8025531	<b>1001452029</b>
<b>XPEDITOR</b>				
1999-2000	Xpeditor	All Models with O-ring fitting with MI	8025531	<b>1001452029</b>

**RELAYS**

YEAR	MODEL	DESCRIPTION	OEM NO.	PART NO:
<b>ALL OTHER MODELS</b>				
All	All Models	40/30 amp., 5 terminals, with diode, 12V	BOA80-945-00-079, 176594, 3946682	<b>650731</b>

**RESISTORS**

YEAR	MODEL	DESCRIPTION	OEM NO.	PART NO:
<b>ALL OTHER MODELS</b>				
1990-2000	All Models	All Volvo White, 3 speeds, 3 terminals (Re-use resistor shield)	V1118410, V2124241, V313119, V3134241, 868079	<b>650179</b>
All	All Models	40/30 amp., 5 terminals, with diode, 12V	BOA80-945-00-079, 176594, 3946682	<b>650731</b>
All	All Models	All Volvo - White with resistor	60057-5005	<b>650790</b>
All	All Models	All Volvo White, with resistor	V1091071	<b>650823</b>

**RESISTORS**

YEAR	MODEL	DESCRIPTION	OEM NO.	PART NO:
All	All Models	Resistor	20443826, BOA91592	<b>1001272236</b>
All	All Models	All Volvo White, with resistor	V1697520	<b>650441</b>
All	All Models	All Volvo White, with resistor	60057-5005	<b>650790</b>
<b>VN SERIES</b>				
1996-2006	VN Series 420, 610	All with Sleeper Unit; 3 speed, 3 terminals	650179	<b>650179</b>

**SWITCHES - BLOWER**

YEAR	MODEL	DESCRIPTION	OEM NO.	PART NO.
<b>ALL OTHER MODELS</b>				
1984-1994	All Models	Volvo White toggle switch	60018-5015	<b>650644</b>
<b>COE</b>				
1990-1998	All Models	3 speeds, 5 terminals	60018-0002, 8179834, 3081373	<b>650086</b>
<b>CONVENTIONAL</b>				
1990-1993	All Models	3 speeds, 5 terminals	60018-0002	<b>650086</b>
<b>N</b>				
1990-1993	All Models	3 speeds, 5 terminals	60018-0002	<b>650086</b>
<b>RBII</b>				
1990-1993	All Models	3 speeds, 5 terminals	60018-0002	<b>650086</b>
<b>RC</b>				
1990-1998	All Models	3 speeds, 5 terminals	60018-0002, 8179834, 3081373	<b>650086</b>
<b>RCII</b>				
1990-1998	All Models	3 speeds, 5 terminals	60018-0002, 8179834, 3081373	<b>650086</b>
<b>VN SERIES</b>				
1990-1993	All Models	3 speeds, 5 terminals	60018-0002	<b>650086</b>
<b>WAH</b>				
1990-1993	All Models	3 speeds, 5 terminals	60018-0002	<b>650086</b>
<b>WCA</b>				
1990-1993	All Models	3 speeds, 5 terminals	60018-0002	<b>650086</b>
<b>WG</b>				
1990-1993	All Models	3 speeds, 5 terminals	60018-0002	<b>650086</b>
<b>WH</b>				
1990-1998	All Models	3 speeds, 5 terminals	60018-0002, 8179834, 3081373	<b>650086</b>
<b>WIA</b>				
1990-1993	All Models	3 speeds, 5 terminals	60018-0002	<b>650086</b>
<b>WX</b>				
1990-1998	All Models	3 speeds, 5 terminals	60018-0002, 8179834, 3081373	<b>650086</b>

**SWITCHES - PRESSURE**

YEAR	MODEL	DESCRIPTION	OEM NO.	PART NO:
<b>ALL OTHER MODELS</b>				
All	All Models	Fan Override – Trinary™ Normally closed, female 1/4"	RD546250	<b>650627</b>
All	All Models	Binary Switch with female, 1/4" thread, 2 Spades	RD54640	<b>650448</b>



1

MED/HEAVY DUTY APPS

**Volvo****SWITCHES - ROCKER**

YEAR	MODEL	DESCRIPTION	OEM NO.	PART NO:
<b>ALL OTHER MODELS</b>				
1990-1993	All Models	Volvo White	60018-500	<b>B220891</b>
1990-2000	All Models	with Bergstrom 2 terminals, Rocker	V1118424, 650088	<b>650088</b>

**SWITCHES - THERMOSTATIC**

YEAR	MODEL	DESCRIPTION	OEM NO.	PART NO:
<b>WAH</b>				
1988-1993	W-Series	All Models with preset type	BD1340	<b>650117</b>
1994-1996	W-Series	All Models with preset type	1118416	<b>650117</b>
<b>WCA</b>				
1988-1993	WCA	All Models with Cable Operated	1118416	<b>650117</b>
1988-1993	W-Series	All Models with preset type	BD1340	<b>650117</b>
1994-1996	W-Series	All Models with preset type	1118416	<b>650117</b>
<b>WG</b>				
1988-1993	W-Series	All Models with preset type	BD1340	<b>650117</b>
1994-1996	W-Series	All Models with preset type	1118416	<b>650117</b>
1994-1996	WG	All Models with preset type	V1118408, 1110162	<b>650476</b>
<b>WH</b>				
1988-2000	WH	All Models with Cable Operated	650117	<b>650117</b>
<b>WIA</b>				
1988-1993	WIA	All Models with Cable Operated	1118416	<b>650117</b>
1988-1993	W-Series	All Models with preset type	BD1340	<b>650117</b>
1994-1996	W-Series	All Models with preset type	1118416	<b>650117</b>
<b>WX</b>				
1988-2000	WX	All Models with Cable Operated	650117	<b>650117</b>
1994-1996	WX	All Models with preset type	V1118408, 1110162	<b>650476</b>
<b>WXLL</b>				
1988-2002	WXLL	All Models with Cable Operated	1118416, BSM323004, BSM650117	<b>650117</b>
<b>XPEDITOR</b>				
1988-2002	Xpeditor	All Models with Cable Operated	1118416, BSM323004, BSM650117	<b>650117</b>

**WATER VALVES**

YEAR	MODEL	DESCRIPTION	OEM NO.	PART NO:
<b>VHD SERIES</b>				
1996-2002	VHD	with BEHR Electronic Operated; 2 Terminal	3946692, BOA80-101-00-229	<b>869856</b>
<b>VT SERIES</b>				
1996-2002	VN 420, 610	with BEHR Electronic operated; 2 Terminal without E	3946692, BOA80-101-00-229	<b>869856</b>

## ACTUATORS

YEAR	MODEL	DESCRIPTION	OEM NO.	PART NO:
<b>ALL OTHER MODELS</b>				
All	All Models	Electric Vlv. 4 Pin, with "D" Label Red	RD5-6320-0	651273

## BLOWER MOTORS

YEAR	MODEL	DESCRIPTION	OEM NO.	PART NO:
<b>38</b>				
1971-1984	All Models	with 3" Diameter Motor 2 speed CW	02-7008314, 1707686, RD31-6-12	1000132642
1996-2014	All Models	Main and Auxiliary with Red Dot A/C (CW)	RD3-8657-0, RD5-8040-0, RD5-8202-1, RD5-8663-0	890050
2005-2011	All Models	Main Unit (CW)	RD58663-0	1000039644
<b>48</b>				
1971-1984	All Models	with 3" Diameter Motor 2 speed CW	02-7008314, 1707686, RD31-6-12	1000132642
1983-2001	4800	Main with Red Dot unit (CW, vented)	RD5-6526-0	203249
1985-1998	4800	Main with Red Dot unit (CW, vented)	RD5-6526-0, 6009-5003	203249
1985-2001	4800	Sleeper Models with Red Dot unit (CCW, vented)	60009-5003	203133
1996-2014	All Models	Main and Auxiliary with Red Dot A/C (CW)	RD3-8657-0, RD5-8040-0, RD5-8202-1, RD5-8663-0	890050
2005-2011	All Models	Main Unit (CW)	RD58663-0	1000039644
<b>49</b>				
1971-1984	All Models	with 3" Diameter Motor 2 speed CW	02-7008314, 1707686, RD31-6-12	1000132642
1985-1998	4900	Main with Red Dot unit (CW, vented)	RD5-6526-0, 6009-5003	203249
1983-2001	4900	Main with Red Dot unit (CW, vented)	RD5-6526-0	203249
1985-2001	4900	Sleeper Models with Red Dot unit (CCW, vented)	60009-5003	203133
1996-2014	All Models	Main and Auxiliary with Red Dot A/C (CW)	RD3-8657-0, RD5-8040-0, RD5-8202-1, RD5-8663-0	890050
2005-2011	All Models	Main Unit (CW)	RD58663-0	1000039644
<b>58</b>				
1971-1984	All Models	with 3" Diameter Motor 2 speed CW	02-7008314, 1707686, RD31-6-12	1000132642
1983-2001	5800	Main with Red Dot unit (CW, vented)	RD5-6526-0	203249
1985-1998	5800	Main with Red Dot unit (CW, vented)	RD5-6526-0, 6009-5003	203249
1985-2001	5800	Sleeper Models with Red Dot unit (CCW, vented)	60009-5003	203133
1996-2014	All Models	Main and Auxiliary with Red Dot A/C (CW)	RD3-8657-0, RD5-8040-0, RD5-8202-1, RD5-8663-0	890050
2005-2011	All Models	Main Unit (CW)	RD58663-0	1000039644
<b>59</b>				
1971-1984	All Models	with 3" Diameter Motor 2 speed CW	02-7008314, 1707686, RD31-6-12	1000132642
1983-2001	5900	Main with Red Dot unit (CW, vented)	RD5-6526-0	203249
1985-1998	5900	Main with Red Dot unit (CW, vented)	RD5-6526-0, 6009-5003	203249
1985-2001	5900	Sleeper Models with Red Dot unit (CCW, vented)	60009-5003	203133
1996-2014	All Models	Main and Auxiliary with Red Dot A/C (CW)	RD3-8657-0, RD5-8040-0, RD5-8202-1, RD5-8663-0	890050
2005-2011	All Models	Main Unit (CW)	RD58663-0	1000039644
<b>69</b>				
1971-1984	All Models	with 3" Diameter Motor 2 speed CW	02-7008314, 1707686, RD31-6-12	1000132642
1983-2001	6900	Main with Red Dot unit (CW, vented)	RD5-6526-0	203249



800.499.6849 • shop.bergstrominc.com

87

1

MED/HEAVY DUTY APPS

**Western Star****BLOWER MOTORS**

YEAR	MODEL	DESCRIPTION	OEM NO.	PART NO:
1985-2001	6900	Sleeper Models with Red Dot unit (CCW, vented)	60009-5003	<b>203133</b>
1996-2014	All Models	Main and Auxiliary with Red Dot A/C (CW)	RD3-8657-0, RD5-8040-0, RD5-8202-1, RD5-8663-0	<b>890050</b>
2005-2011	All Models	Main Unit (CW)	RD58663-0	<b>1000039644</b>
<b>CONSTELLATION SERIES</b>				
1971-1984	All Models	with 3" Diameter Motor 2 speed CW	02-7008314, 1707686, RD31-6-12	<b>1000132642</b>
1996-2014	All Models	Main and Auxiliary with Red Dot A/C (CW)	RD3-8657-0, RD5-8040-0, RD5-8202-1, RD5-8663-0	<b>890050</b>
2005-2011	All Models	Main Unit (CW)	RD58663-0	<b>1000039644</b>
<b>HERITAGE SERIES</b>				
1971-1984	All Models	with 3" Diameter Motor 2 speed CW	02-7008314, 1707686, RD31-6-12	<b>1000132642</b>
1996-2014	All Models	Main and Auxiliary with Red Dot A/C (CW)	RD3-8657-0, RD5-8040-0, RD5-8202-1, RD5-8663-0	<b>890050</b>
2005-2011	All Models	Main Unit (CW)	RD58663-0	<b>1000039644</b>

**BLOWER WHEELS**

YEAR	MODEL	DESCRIPTION	OEM NO.	PART NO:
<b>38</b>				
1996-2000	All Models	Sleeper with Red Dot unit (5-3/4" Diameter CCW)	60012-5001, RD5-5601-0	<b>510046</b>
2001-2015	All Models	Main Unit, All with 5-3/16" Diameter (CW)	RD5-5623-0, ABPN83-302051	<b>529800</b>
<b>48</b>				
1985-1998	4800	Sleeper with Red Dot unit (5-3/16" Diameter CW)	60010-4401	<b>529800</b>
1996-2000	All Models	Sleeper with Red Dot unit (5-3/4" Diameter CCW)	60012-5001, RD5-5601-0	<b>510046</b>
2001-2015	All Models	Main Unit, All with 5-3/16" Diameter (CW)	RD5-5623-0, ABPN83-302051	<b>529800</b>
<b>49</b>				
1985-1998	4900	Sleeper with Red Dot unit (5-3/16" Diameter CW)	60010-4401	<b>529800</b>
1996-2000	All Models	Sleeper with Red Dot unit (5-3/4" Diameter CCW)	60012-5001, RD5-5601-0	<b>510046</b>
2001-2015	All Models	Main Unit, All with 5-3/16" Diameter (CW)	RD5-5623-0, ABPN83-302051	<b>529800</b>
<b>58</b>				
1985-1998	5800	Sleeper with Red Dot unit (5-3/16" Diameter CW)	60010-4401	<b>529800</b>
1996-2000	All Models	Sleeper with Red Dot unit (5-3/4" Diameter CCW)	60012-5001, RD5-5601-0	<b>510046</b>
2001-2015	All Models	Main Unit, All with 5-3/16" Diameter (CW)	RD5-5623-0, ABPN83-302051	<b>529800</b>
<b>59</b>				
1985-1998	5900	Sleeper with Red Dot unit (5-3/16" Diameter CW)	60010-4401	<b>529800</b>
1996-2000	All Models	Sleeper with Red Dot unit (5-3/4" Diameter CCW)	60012-5001, RD5-5601-0	<b>510046</b>
2001-2015	All Models	Main Unit, All with 5-3/16" Diameter (CW)	RD5-5623-0, ABPN83-302051	<b>529800</b>
<b>69</b>				
1996-2000	All Models	Sleeper with Red Dot unit (5-3/4" Diameter CCW)	60012-5001, RD5-5601-0	<b>510046</b>
2001-2015	All Models	Main Unit, All with 5-3/16" Diameter (CW)	RD5-5623-0, ABPN83-302051	<b>529800</b>
<b>CONSTELLATION SERIES</b>				
1996-2000	All Models	Sleeper with Red Dot unit (5-3/4" Diameter CCW)	60012-5001, RD5-5601-0	<b>510046</b>
2001-2015	All Models	Main Unit, All with 5-3/16" Diameter (CW)	RD5-5623-0, ABPN83-302051	<b>529800</b>



**BLOWER WHEELS**

YEAR	MODEL	DESCRIPTION	OEM NO.	PART NO:
<b>HERITAGE SERIES</b>				
1996-2000	All Models	Sleeper with Red Dot unit (5-3/4" Diameter CCW)	60012-5001, RD5-5601-0	<b>510046</b>
2001-2015	All Models	Main Unit, All with 5-3/16" Diameter (CW)	RD5-5623-0, ABPN83-302051	<b>529800</b>

**CLUTCHES**

YEAR	MODEL	DESCRIPTION	OEM NO.	PART NO:
<b>ALL OTHER MODELS WITH YORK/T/CCI - STYLE COMPRESSOR</b>				
All	All Models	2 groove 6" Diameter with diode Weatherpack	024-21590	<b>1000139242</b>

**CONDENSERS**

YEAR	MODEL	DESCRIPTION	OEM NO.	PART NO:
<b>38</b>				
1994-2004	All Models	35-1/2" x 18" x 1-1/4" with Red Dot A/C	61203-3409, RD4-4815-0	<b>1000626822</b>
2008-2015	All Models	33-1/2" x 19" x 5/8" Pad fittings	22-67125-000, 22-62271-001, 22-65663-001	<b>1000626834</b>
<b>48</b>				
1994-2004	All Models	35-1/2" x 18" x 1-1/4" with Red Dot A/C	61203-3409, RD4-4815-0	<b>1000626822</b>
2008-2015	All Models	33-1/2" x 19" x 5/8" Pad fittings	22-67125-000, 22-62271-001, 22-65663-001	<b>1000626834</b>
<b>49</b>				
1994-2004	All Models	35-1/2" x 18" x 1-1/4" with Red Dot A/C	61203-3409, RD4-4815-0	<b>1000626822</b>
2008-2015	All Models	33-1/2" x 19" x 5/8" Pad fittings	22-67125-000, 22-62271-001, 22-65663-001	<b>1000626834</b>
<b>58</b>				
1994-2004	All Models	35-1/2" x 18" x 1-1/4" with Red Dot A/C	61203-3409, RD4-4815-0	<b>1000626822</b>
2008-2015	All Models	33-1/2" x 19" x 5/8" Pad fittings	22-67125-000, 22-62271-001, 22-65663-001	<b>1000626834</b>
<b>59</b>				
1994-2004	All Models	35-1/2" x 18" x 1-1/4" with Red Dot A/C	61203-3409, RD4-4815-0	<b>1000626822</b>
2008-2015	All Models	33-1/2" x 19" x 5/8" Pad fittings	22-67125-000, 22-62271-001, 22-65663-001	<b>1000626834</b>
<b>69</b>				
1994-2004	All Models	35-1/2" x 18" x 1-1/4" with Red Dot A/C	61203-3409, RD4-4815-0	<b>1000626822</b>
2008-2015	All Models	33-1/2" x 19" x 5/8" Pad fittings	22-67125-000, 22-62271-001, 22-65663-001	<b>1000626834</b>
<b>CONSTELLATION SERIES</b>				
1994-2004	All Models	35-1/2" x 18" x 1-1/4" with Red Dot A/C	61203-3409, RD4-4815-0	<b>1000626822</b>
2008-2015	All Models	33-1/2" x 19" x 5/8" Pad fittings	22-67125-000, 22-62271-001, 22-65663-001	<b>1000626834</b>
<b>HERITAGE SERIES</b>				
1994-2004	All Models	35-1/2" x 18" x 1-1/4" with Red Dot A/C	61203-3409, RD4-4815-0	<b>1000626822</b>
2008-2015	All Models	33-1/2" x 19" x 5/8" Pad fittings	22-67125-000, 22-62271-001, 22-65663-001	<b>1000626834</b>



800.499.6849 • shop.bergstrominc.com

89

1

MED/HEAVY DUTY APPS

**Western Star****EVAPORATORS**

YEAR	MODEL	DESCRIPTION	OEM NO.	PART NO:
<b>38</b>				
1985-1998	3800	Sleeper Models with Red Dot unit (R4070, 4170)	6004-4403	<b>151356</b>
<b>48</b>				
1985-2004	4800	Sleeper Models with Red Dot unit (R4070, 4170)	6004-4403, RD2-1402-0	<b>151356</b>
<b>49</b>				
1985-2004	4900	Sleeper Models with Red Dot unit (R4070, 4170)	6004-4403, RD2-1402-0	<b>151356</b>
<b>58</b>				
1985-2004	5800	Sleeper Models with Red Dot unit (R4070, 4170)	6004-4403, RD2-1402-0	<b>151356</b>
<b>59</b>				
1985-2004	5900	Sleeper Models with Red Dot unit (R4070, 4170)	6004-4403, RD2-1402-0	<b>151356</b>
<b>69</b>				
1985-2004	6900	Sleeper Models with Red Dot unit (R4070, 4170)	6004-4403, RD2-1402-0	<b>151356</b>

**EXPANSION VALVES AND ORIFICE TUBES**

YEAR	MODEL	DESCRIPTION	OEM NO.	PART NO:
<b>38</b>				
1988-1998	3800	All sleeper Models with block type expansion valve	60012-5011, 60012-4401, RD 4157-0	<b>1001443791</b>
1993-2015	All Models	Main with block type expansion valve (2-ton)	RD5-9513-0, RD5-7015-0	<b>1001443384</b>
1983-2015	All Models	All sleeper Models with block type expansion valve	RD5-7125-0, RD4157-0, 60012-5011, 60012-4401	<b>1001443791</b>
All	All Models	with External Equalized Valve (Flare)	02-7010501, 02-7086617, RD4126-1	<b>1000534258</b>
<b>48</b>				
1993-2015	All Models	Main with block type expansion valve (2-ton)	RD5-9513-0, RD5-7015-0	<b>1001443384</b>
1983-2015	All Models	All sleeper Models with block type expansion valve	RD5-7125-0, RD4157-0, 60012-5011, 60012-4401	<b>1001443791</b>
All	All Models	with External Equalized Valve (Flare)	02-7010501, 02-7086617, RD4126-1	<b>1000534258</b>
<b>49</b>				
1993-2015	All Models	Main with block type expansion valve (2-ton)	RD5-9513-0, RD5-7015-0	<b>1001443384</b>
1983-2015	All Models	All sleeper Models with block type expansion valve	RD5-7125-0, RD4157-0, 60012-5011, 60012-4401	<b>1001443791</b>
All	All Models	with External Equalized Valve (Flare)	02-7010501, 02-7086617, RD4126-1	<b>1000534258</b>
<b>58</b>				
1993-2015	All Models	Main with block type expansion valve (2-ton)	RD5-9513-0, RD5-7015-0	<b>1001443384</b>
1983-2015	All Models	All sleeper Models with block type expansion valve	RD5-7125-0, RD4157-0, 60012-5011, 60012-4401	<b>1001443791</b>
All	All Models	with External Equalized Valve (Flare)	02-7010501, 02-7086617, RD4126-1	<b>1000534258</b>
<b>59</b>				
1993-2015	All Models	Main with block type expansion valve (2-ton)	RD5-9513-0, RD5-7015-0	<b>1001443384</b>
1983-2015	All Models	All sleeper Models with block type expansion valve	RD5-7125-0, RD4157-0, 60012-5011, 60012-4401	<b>1001443791</b>
All	All Models	with External Equalized Valve (Flare)	02-7010501, 02-7086617, RD4126-1	<b>1000534258</b>
<b>69</b>				
1993-2015	All Models	Main with block type expansion valve (2-ton)	RD5-9513-0, RD5-7015-0	<b>1001443384</b>
1983-2015	All Models	All sleeper Models with block type expansion valve	RD5-7125-0, RD4157-0, 60012-5011, 60012-4401	<b>1001443791</b>
All	All Models	with External Equalized Valve (Flare)	02-7010501, 02-7086617, RD4126-1	<b>1000534258</b>

## EXPANSION VALVES AND ORIFICE TUBES

YEAR	MODEL	DESCRIPTION	OEM NO.	PART NO:
<b>CONSTELLATION SERIES</b>				
1993-2015	All Models	Main with block type expansion valve (2-ton)	RD5-9513-0, RD5-7015-0	<b>1001443384</b>
1983-2015	All Models	All sleeper Models with block type expansion valve	RD5-7125-0, RD4157-0, 60012-5011, 60012-4401	<b>1001443791</b>
All	All Models	with External Equalized Valve (Flare)	02-7010501, 02-7086617, RD4126-1	<b>1000534258</b>
<b>HERITAGE SERIES</b>				
1993-2015	All Models	Main with block type expansion valve (2-ton)	RD5-9513-0, RD5-7015-0	<b>1001443384</b>
1983-2015	All Models	All sleeper Models with block type expansion valve	RD5-7125-0, RD4157-0, 60012-5011, 60012-4401	<b>1001443791</b>
All	All Models	with External Equalized Valve (O-ring)	02-7086505, RD53824-1	<b>B404292</b>

## RECEIVER DRIERS/ACCUMULATORS

YEAR	MODEL	DESCRIPTION	OEM NO.	PART NO:
<b>38</b>				
1993-2015	All Models	3" x 10-3/8" x 3/8" O-ring, fuse plug, 1/4" Port	61506-3406, RD5-7417-0, 088343-00	<b>1001451952</b>
2010-2015	All Models	Pad Type with Bracket (use # 0131 stat seals)	A22-66700-000	<b>1001860902</b>
All	All Models	3" x 8-3/8" x 3/8" O-ring, fuse plug, 1/4" Port	61506-3402, RD5-7568-0, RD5-7517-0, ABPN83-319314	<b>540121</b>
<b>48</b>				
1993-2015	All Models	3" x 10-3/8" x 3/8" O-ring, fuse plug, 1/4" Port	61506-3406, RD5-7417-0, 088343-00	<b>1001451952</b>
2010-2015	All Models	Pad Type with Bracket (use # 0131 stat seals)	A22-66700-000	<b>1001860902</b>
All	All Models	3" x 8-3/8" x 3/8" O-ring, fuse plug, 1/4" Port	61506-3402, RD5-7568-0, RD5-7517-0, ABPN83-319314	<b>540121</b>
<b>49</b>				
1993-2015	All Models	3" x 10-3/8" x 3/8" O-ring, fuse plug, 1/4" Port	61506-3406, RD5-7417-0, 088343-00	<b>1001451952</b>
2010-2015	All Models	Pad Type with Bracket (use # 0131 stat seals)	A22-66700-000	<b>1001860902</b>
All	All Models	3" x 8-3/8" x 3/8" O-ring, fuse plug, 1/4" Port	61506-3402, RD5-7568-0, RD5-7517-0, ABPN83-319314	<b>540121</b>
<b>58</b>				
1993-2015	All Models	3" x 10-3/8" x 3/8" O-ring, fuse plug, 1/4" Port	61506-3406, RD5-7417-0, 088343-00	<b>1001451952</b>
2010-2015	All Models	Pad Type with Bracket (use # 0131 stat seals)	A22-66700-000	<b>1001860902</b>
All	All Models	3" x 8-3/8" x 3/8" O-ring, fuse plug, 1/4" Port	61506-3402, RD5-7568-0, RD5-7517-0, ABPN83-319314	<b>540121</b>
<b>59</b>				
1993-2015	All Models	3" x 10-3/8" x 3/8" O-ring, fuse plug, 1/4" Port	61506-3406, RD5-7417-0, 088343-00	<b>1001451952</b>
2010-2015	All Models	Pad Type with Bracket (use # 0131 stat seals)	A22-66700-000	<b>1001860902</b>
All	All Models	3" x 8-3/8" x 3/8" O-ring, fuse plug, 1/4" Port	61506-3402, RD5-7568-0, RD5-7517-0, ABPN83-319314	<b>540121</b>
<b>69</b>				
1993-2015	All Models	3" x 10-3/8" x 3/8" O-ring, fuse plug, 1/4" Port	61506-3406, RD5-7417-0, 088343-00	<b>1001451952</b>
2010-2015	All Models	Pad Type with Bracket (use # 0131 stat seals)	A22-66700-000	<b>1001860902</b>
All	All Models	3" x 8-3/8" x 3/8" O-ring, fuse plug, 1/4" Port	61506-3402, RD5-7568-0, RD5-7517-0, ABPN83-319314	<b>540121</b>



800.499.6849 • shop.bergstrominc.com

91

1

MED/HEAVY DUTY APPS

# Western Star

## RECEIVER DRIERS/ACCUMULATORS

YEAR	MODEL	DESCRIPTION	OEM NO.	PART NO:
<b>ALL OTHER MODELS</b>				
All	All Models	2-3/4" x 10" with side Low Pressure Switch	02-7077922	<b>B402565</b>
All	All Models	with Top Mounted Switch Port	02-0707988	<b>1001451908</b>
<b>CONSTELLATION SERIES</b>				
1993-2015	All Models	3" x 10-3/8" x 3/8" O-ring, fuse plug, 1/4" Port	61506-3406, RD5-7417-0, 088343-00	<b>1001451952</b>
2010-2015	All Models	Pad Type with Bracket (use # 0131 stat seals)	A22-66700-000	<b>1001860902</b>
All	All Models	3" x 8-3/8" x 3/8" O-ring, fuse plug, 1/4" Port	61506-3402, RD5-7568-0, RD5-7517-0, ABPN83-319314	<b>540121</b>
<b>HERITAGE SERIES</b>				
1993-2015	All Models	3" x 10-3/8" x 3/8" O-ring, fuse plug, 1/4" Port	61506-3406, RD5-7417-0, 088343-00	<b>1001451952</b>
2010-2015	All Models	Pad Type with Bracket (use # 0131 stat seals)	A22-66700-000	<b>1001860902</b>
All	All Models	3" x 8-3/8" x 3/8" O-ring, fuse plug, 1/4" Port	61506-3402, RD5-7568-0, RD5-7517-0, ABPN83-319314	<b>540121</b>

## RELAYS

YEAR	MODEL	DESCRIPTION	OEM NO.	PART NO:
<b>ALL OTHER MODELS</b>				
1988-1995	All Models	Mini-relay with 5 terminals 12V (universal Bosch)	0332-204-125/150	<b>651150</b>
1988-1995	All Models	Mini-relay with 5 terminals 24V (Universal Bosch)	0332-204-203	<b>B222166</b>
1996-2004	All Models	5 Terminal with Diode 40/30 amp 12V	BOA80-945-00-079, VF4-15F11-501	<b>650731</b>

## RESISTORS

YEAR	MODEL	DESCRIPTION	OEM NO.	PART NO:
<b>ALL OTHER MODELS</b>				
All	All Models	Resistor Speed. Control. (Auxiliary Unit)	RD5-3647-0	<b>650441</b>

## SEALS

YEAR	MODEL	DESCRIPTION	OEM NO.	PART NO:
<b>ALL OTHER MODELS</b>				
All	All Models	Compressor GH Head Stat Seal	23-13205-000	<b>1000039492</b>
All	All Models	#8 Stat Seal (mini)	23-13202-000	<b>1000039471</b>

## SWITCHES - BLOWER

YEAR	MODEL	DESCRIPTION	OEM NO.	PART NO:
<b>ALL OTHER MODELS</b>				
All	All Models	Universal Rotary Switch (long Thread) 3 speed 5 terminal	BOA80-926-00-109	<b>B222975</b>
All	All Models	Universal Rotary Switch 3 speed with resistor without.e.#	176573	<b>B220300</b>

## SWITCHES - PRESSURE

YEAR	MODEL	DESCRIPTION	OEM NO.	PART NO:
<b>ALL OTHER MODELS</b>				
All	All Models	Fan Override – Trinary™ Normally Closed Female 1/4"	RD5-4625-0	<b>650627</b>
All	All Models	High Pressure – Fan Coupling, NC M10 Female	A22-45194-001	<b>651332</b>
All	All Models	Binary Switch, Normally Closed, M10 Threads	22-51296-000	<b>1000345640</b>

## SWITCHES - THERMOSTATIC

YEAR	MODEL	DESCRIPTION	OEM NO.	PART NO:
<b>38</b>				
1983-1996	All Models	All Models with Cable Operatedated with 30" capillary tube	02-7010174	<b>B404019</b>
1987-1996	All Models	All Models with rotary type with 36" capillary tube	RD412536	<b>B404028</b>
All	All Models	All Models with Knob Type 36" Capillary Tube	A22-15817-A	<b>B404028</b>
All	All Models	All Models with Cable Type 30" Capillary Tube	02-7010174, RD4226-30	<b>B404019</b>
<b>48</b>				
1983-1996	All Models	All Models with Cable Operatedated with 30" capillary tube	02-7010174	<b>B404019</b>
1987-1996	All Models	All Models with rotary type with 36" capillary tube	RD412536	<b>B404028</b>
All	All Models	All Models with Knob Type 36" Capillary Tube	A22-15817-A	<b>B404028</b>
All	All Models	All Models with Cable Type 30" Capillary Tube	02-7010174, RD4226-30	<b>B404019</b>
<b>49</b>				
1983-1996	All Models	All Models with Cable Operatedated with 30" capillary tube	02-7010174	<b>B404019</b>
1987-1996	All Models	All Models with rotary type with 36" capillary tube	RD412536	<b>B404028</b>
All	All Models	All Models with Knob Type 36" Capillary Tube	A22-15817-A	<b>B404028</b>
All	All Models	All Models with Cable Type 30" Capillary Tube	02-7010174, RD4226-30	<b>B404019</b>
<b>58</b>				
1983-1996	All Models	All Models with Cable Operatedated with 30" capillary tube	02-7010174	<b>B404019</b>
1987-1996	All Models	All Models with rotary type with 36" capillary tube	RD412536	<b>B404028</b>
All	All Models	All Models with Knob Type 36" Capillary Tube	A22-15817-A	<b>B404028</b>
All	All Models	All Models with Cable Type 30" Capillary Tube	02-7010174, RD4226-30	<b>B404019</b>
<b>59</b>				
1983-1996	All Models	All Models with Cable Operatedated with 30" capillary tube	02-7010174	<b>B404019</b>
1987-1996	All Models	All Models with rotary type with 36" capillary tube	RD412536	<b>B404028</b>
All	All Models	All Models with Knob Type 36" Capillary Tube	A22-15817-A	<b>B404028</b>
All	All Models	All Models with Cable Type 30" Capillary Tube	02-7010174, RD4226-30	<b>B404019</b>
<b>69</b>				
1983-1996	All Models	All Models with Cable Operatedated with 30" capillary tube	02-7010174	<b>B404019</b>
1987-1996	All Models	All Models with rotary type with 36" capillary tube	RD412536	<b>B404028</b>
All	All Models	All Models with Knob Type 36" Capillary Tube	A22-15817-A	<b>B404028</b>
All	All Models	All Models with Cable Type 30" Capillary Tube	02-7010174, RD4226-30	<b>B404019</b>
<b>CONSTELLATION SERIES</b>				
1983-1996	All Models	All Models with Cable Operatedated with 30" capillary tube	02-7010174	<b>B404019</b>
1987-1996	All Models	All Models with rotary type with 36" capillary tube	RD412536	<b>B404028</b>
All	All Models	All Models with Knob Type 36" Capillary Tube	A22-15817-A	<b>B404028</b>
All	All Models	All Models with Cable Type 30" Capillary Tube	02-7010174, RD4226-30	<b>B404019</b>
<b>HERITAGE SERIES</b>				
1983-1996	All Models	All Models with Cable Operatedated with 30" capillary tube	02-7010174	<b>B404019</b>
1987-1996	All Models	All Models with rotary type with 36" capillary tube	RD412536	<b>B404028</b>
All	All Models	All Models with Knob Type 36" Capillary Tube	A22-15817-A	<b>B404028</b>
All	All Models	All Models with Cable Type 30" Capillary Tube	02-7010174, RD4226-30	<b>B404019</b>



1

# Western Star

## WATER VALVES

MED/HEAVY DUTY APPS

YEAR	MODEL	DESCRIPTION	OEM NO.	PART NO:
<b>ALL OTHER MODELS</b>				
All	All Models	All Models with cable control, pull to open, 5/8" Universal Type	677413, RD5-4923-0	<b>869619</b>



# SPECIFICATIONS

2



## Air Conditioning Systems & Heating Replacement Parts

The part sequence listed under each section title identifies the part number ordering per the Kysor New Part Number Legend (shown at the front of this reference guide).

	<b>BLOWER MOTORS</b>	<b>97</b>		<b>RECEIVER DRIERS</b>	<b>251</b>
	<b>BLOWER WHEELS</b>	<b>125</b>		<b>SWITCHES</b>	<b>271</b>
	<b>DEFROST FANS</b>	<b>131</b>		<b>FITTINGS</b>	<b>295</b>
	<b>CLUTCHES</b>	<b>141</b>		<b>SERVICE EQUIPMENT</b>	<b>347</b>
	<b>COMPRESSORS</b>	<b>145</b>		<b>CHEMICALS &amp; LUBRICANTS</b>	<b>349</b>
	<b>EXPANSION VALVES</b>	<b>191</b>		<b>KITS &amp; ACCESSORIES</b>	<b>353</b>
	<b>WATER VALVES</b>	<b>205</b>		<b>AIR FILTERS</b>	<b>361</b>
	<b>CONDENSERS</b>	<b>225</b>		<b>LOUVERS</b>	<b>375</b>
	<b>EVAPORATORS</b>	<b>237</b>		<b>BUS PRODUCTS</b>	<b>381</b>
	<b>HEATER CORES</b>	<b>243</b>			

PART SPECIFICATIONS

Availability of the products shown in this reference guide is subject to change without notice by Bergstrom, Inc. For the most current product information please visit the Bergstrom Distributor website at <https://shop.bergstrominc.com/>.

Call: 800.499.6849 for Technical Assistance

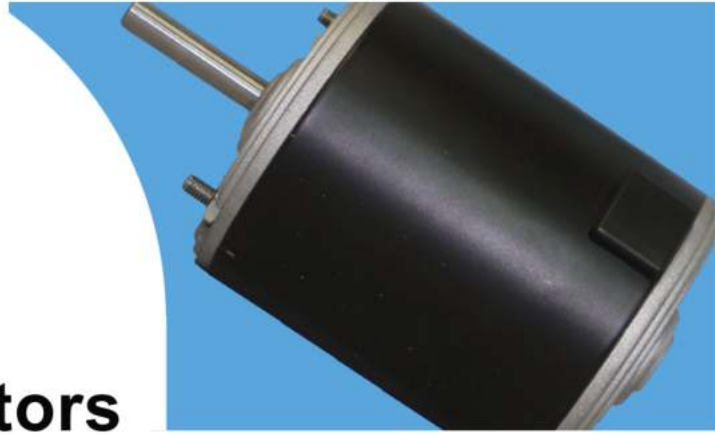
95







*Air Conditioning & Heating  
Replacement Parts*



2

BLOWER MOTORS

# Blower Motors

<b>Single Shaft Motors</b>	<b>98</b>
5/16" Shaft Diameter Single Shaft Motor Specifications	98
Single Shaft Brushless - Style Motor Specifications	100
1/4" Shaft Diameter Single Motor Specifications	100
<b>Double Shaft Motors</b>	<b>111</b>
5/16" Shaft Diameter Double Motor Specifications	111
<b>Blower Assemblies</b>	<b>115</b>
Blower Assembly Specifications	115
<b>Condenser Fan Assemblies</b>	<b>120</b>
Condenser Fan Assembly Specifications	120
<b>Booster Pumps</b>	<b>122</b>
Booster Pump Specifications	122
Universal Booster Pump Cross Reference Chart	124



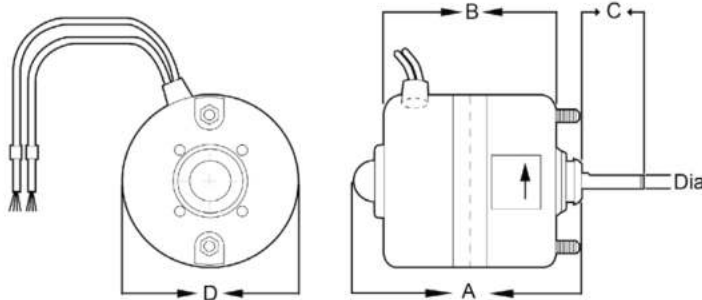
Call: 800.499.6849 for Technical Assistance

Availability of the products shown in this reference guide is subject to change without notice by Bergstrom, Inc.  
For the most current product information please visit the Bergstrom Distributor website at <https://shop.bergstrominc.com/>.

2

Single Shaft Motors

BLOWER MOTORS



Notes:

1. On single shaft motor, rotation is determined by viewing motor from shaft end.
2. On permanent magnet motors the red or orange lead is positive.

Legend:

- A = Overall Length
- B = Motor Length
- C = Shaft Length
- D = Motor Diameter
- Dia = Shaft Diameter
- CE = Closed End
- SE = Shaft End
- REV = Reversible



5/16" Shaft Diameter Single Shaft Motor Specifications

Overall Length (A)	Motor Length (B)	Shaft Length (C)	Motor Diameter (D)	Speed	Volt	Rotation	Mount	Shaft Diameter	Vent	Part No
-	-	-	-	-	12	-	-	-	-	<b>1001276674</b>
2 15/16" (74.6mm)	2 9/16" (64mm)	7/8" (22.2mm)	3" (76.2mm)	1	12	CCWSE	Strap	5/16" (8mm)	NV	<b>B275166</b>
2 15/16" (74.6mm)	2 9/16" (64mm)	7/8" (22.2mm)	3" (76.2mm)	1	24	CCWSE	Strap	5/16" (8mm)	NV	<b>B275266</b>
3 3/4" (95.3mm)	3" (76.2mm)	1 3/8" (35mm)	3" (76.2mm)	2	24	CW	Stud	5/16" (8mm)	NV	<b>201930</b>
3 15/16" (100mm)	3 11/16" (93.7mm)	1 3/8" (35mm)	2 15/16" (74.6mm)	1	24	CCWSE	Stud	5/16" (8mm)	V	<b>B275241</b>
3 15/16" (100mm)	3 9/16" (90mm)	1" (25.4mm)	3" (76.2mm)	2	12	CWSE	Stud	5/16" (8mm)	NV	<b>201520</b>
3 15/16" (100mm)	3 11/16" (93.7mm)	1 3/8" (35mm)	2 15/16" (74.6mm)	1	12	CCWSE	Stud	5/16" (8mm)	V	<b>B275141</b>
3 15/16" (100mm)	3 11/16" (93.7mm)	1 3/8" (35mm)	2 15/16" (74.6mm)	1	12	CWSE	Stud	5/16" (8mm)	V	<b>B275140</b>
3 7/8" (98.4mm)	3 11/16" (93.7mm)	1 3/8" (35mm)	2 15/16" (74.6mm)	1	24	CWSE	Strap	5/16" (8mm)	V	<b>B275240</b>
4" (101.6mm)	3 23/32" (94.2mm)	1" (25.4mm)	3" (76.2mm)	1	12	CWSE	-	9/32" (7mm)	V	<b>1000171472</b>
4" (101.6mm)	3 1/8" (79.4mm)	1 7/16" (36.5mm)	3" (76.2mm)	2	12	REV	Stud	5/16" (8mm)	V	<b>1000356768</b>
4" (101.6mm)	3 9/16" (90mm)	1" (25.4mm)	3" (76.2mm)	2	12	CWSE	Stud	5/16" (8mm)	V	<b>1000321333</b>
4" (101.6mm)	3 9/16" (90mm)	1 3/16" (30.1mm)	3" (76.2mm)	2	12	CWSE	Stud	5/16" (8mm)	V	<b>1000426128</b>
4 1/16" (103mm)	3 11/16" (93.7mm)	1 3/8" (35mm)	3" (76.2mm)	2	12	CWSE	Stud	5/16" (8mm)	V	<b>203020</b>
4 1/16" (103mm)	3 13/16" (96.8mm)	1 7/8" (47.6mm)	2 15/16" (74.6mm)	1	12	CW/CCW	Strap	5/16" (8mm)	V	<b>203066</b>
4 1/16" (103mm)	3 9/16" (90mm)	1" (25.4mm)	3" (76.2mm)	2	12	CWSE	Stud	5/16" (8mm)	V	<b>203088</b>
4 1/16" (103mm)	3 13/16" (96.8mm)	1 7/8" (47.6mm)	2 15/16" (74.6mm)	1	12	REV	Stud	5/16" (8mm)	V	<b>869158</b>
4 3/16" (106.4mm)	4" (101.6mm)	1 13/16" (46mm)	3" (76.2mm)	1	12	CWSE	Flange	5/16" (8mm)	V	<b>203139</b>
4 1/4" (108mm)	3 13/16" (96.8mm)	1 13/16" (46mm)	2 15/16" (74.6mm)	1	12	REV	Strap	5/16" (8mm)	V	<b>1000170295</b>
4 1/4" (108mm)	4" (101.6mm)	1 5/16" (33.3mm)	2 15/16" (74.6mm)	1	12	CWSE	Flange	#10-32 UNF-2A	-	<b>1001266966</b>
4 1/4" (108mm)	4" (101.6mm)	1 7/16" (36.5mm)	2 15/16" (74.6mm)	1	12	CCWCE	Strap	5/16" (8mm)	V	<b>203076</b>
4 1/4" (108mm)	4" (101.6mm)	1 7/16" (36.5mm)	2 15/16" (74.6mm)	1	12	CCWCE	Strap	5/16" (8mm)	V	<b>203115</b>

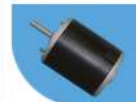
# Single Shaft Motors

2

## 5/16" Shaft Diameter Single Shaft Motor Specifications

Overall Length (A)	Motor Length (B)	Shaft Length (C)	Motor Diameter (D)	Speed	Volt	Rotation	Mount	Shaft Diameter	Vent	Part No
4 1/4" (108mm)	4" (101.6mm)	1 5/8" (41.3mm)	2 15/16" (74.6mm)	1	12	CCWCE	Strap	5/16" (8mm)	V	203255
4 1/4" (108mm)	3 13/16" (96.8mm)	1 13/16" (46mm)	2 15/16" (74.6mm)	1	12	CCWCE	Stud	5/16" (8mm)	V	890050
4 1/4" (108mm)	4 1/16" (103mm)	1 13/16" (46mm)	2 15/16" (74.6mm)	1	12	CWSE	Stud	5/16" (8mm)	V	B275190
4 1/4" (108mm)	4 1/16" (103mm)	1 5/16" (33.3mm)	2 15/16" (74.6mm)	1	12	CWSE	Strap	5/16" (8mm)	NV	203168
4 1/4" (108mm)	4 1/16" (103mm)	1 13/16" (46mm)	2 15/16" (74.6mm)	1	12	CWCE	Stud	5/16" (8mm)	V	203133
4 1/4" (108mm)	4 1/16" (103mm)	2 1/8" (52.7mm)	2 15/16" (74.6mm)	1	12	CCWSE	Stud	5/16" (8mm)	V	203213
4 1/4" (108mm)	4 1/16" (103mm)	1 11/16" (42.9mm)	3" (76.2mm)	1	12	CCWCE	Flange	5/16" (8mm)	V	869701
4 1/4" (108mm)	4 1/16" (103mm)	1 3/8" (35mm)	2 15/16" (74.6mm)	2	24	CWSE	Stud	5/16" (8mm)	NV	203208
4 3/8" (111.1mm)	4" (101.6mm)	1 13/16" (46mm)	3" (76.2mm)	1	12	CCW	Stud	5/16" (8mm)	V	1000039644
4 7/16" (112.7mm)	3 5/8" (92mm)	1 5/16" (33.3mm)	3 1/4" (82.6mm)	1	12	CWSE	Flange	5/16" (8mm)	V	203284
4 7/16" (112.7mm)	3 9/16" (90mm)	1" (25.4mm)	3" (76.2mm)	2	12	CWSE	Strap	5/16" (8mm)	V	1000044188
4 7/16" (112.7mm)	4 1/16" (103mm)	1 1/8" (28.6mm)	2 15/16" (74.6mm)	1	12	CCWCE	Strap	5/16" (8mm)	V	869445
4 7/16" (112.7mm)	3 9/16" (90mm)	1 3/8" (35mm)	3" (76.2mm)	2	12	CWSE	Stud	5/16" (8mm)	V	1000255724
4 7/16" (112.7mm)	4 1/16" (103mm)	1 5/16" (33.3mm)	3" (76.2mm)	1	24	CCWSE	Stud	5/16" (8mm)	NV	203092
4 1/2" (114.3mm)	3 5/8" (92mm)	1 1/2" (38.1mm)	3" (76.2mm)	1	12	CW	Stud	5/16" (8mm)	V	203211
4 1/2" (114.3mm)	4" (101.6mm)	1 3/16" (30.1mm)	3 1/8" (78mm)	1	12	CCWCE	Strap	5/16" (8mm)	NV	B275165
4 1/2" (114.3mm)	4" (101.6mm)	1 1/4" (31.8mm)	3 1/8" (78mm)	1	24	CWSE	Strap	5/16" (8mm)	NV	B275265
4 1/2" (114.3mm)	4" (101.6mm)	1 1/4" (31.8mm)	3 1/8" (78mm)	1	12	CCWCE	Strap	5/16" (8mm)	NV	1000348812
4 1/2" (114.3mm)	4" (101.6mm)	1 1/4" (31.8mm)	3 1/8" (78mm)	1	24	CCWCE	Strap	5/16" (8mm)	NV	1000348813
4 1/2" (114.3mm)	4 5/16" (109.5mm)	1 3/16" (30.1mm)	2 15/16" (74.6mm)	1	12	CWSE	Flange	5/16" (8mm)	V	1000223680
4 9/16" (115.9mm)	3 13/16" (96.8mm)	1" (25.4mm)	3" (76.2mm)	1	12	CWSE	Flange	5/16" (8mm)	V	1000142451
4 9/16" (115.9mm)	4 3/8" (111.1mm)	1 1/16" (27mm)	2 15/16" (74.6mm)	1	12	CWSE	Flange	5/16" (8mm)	V	203361
4 5/8" (117.5mm)	4 1/8" (105mm)	1 5/16" (33.3mm)	3" (76.2mm)	1	12	CW	Flange w/ harness	5/16" (8mm)	V	890063
4 5/8" (117.5mm)	4" (101.6mm)	1 3/4" (44.5mm)	2 15/16" (74.6mm)	1	12	CWSE	-	5/16" (8mm)	V	890099
4 5/8" (117.5mm)	3 7/8" (98.4mm)	1 9/16" (39.6mm)	2 7/8" (73mm)	1	12	CWSE	Stud	5/16" (8mm)	V	203249
4 11/16" (119mm)	4 5/16" (109.5mm)	1 11/16" (42.9mm)	2 15/16" (74.6mm)	1	12	CCWSE	Flange	5/16" (8mm)	V	890067
4 11/16" (119mm)	3 11/16" (93.7mm)	1 11/16" (42.9mm)	3 1/16" (77.8mm)	1	12	CW/CCW	Stud	5/16" (8mm)	V	203067
4 11/16" (119mm)	4" (101.6mm)	1 1/4" (31.8mm)	3 1/16" (77.8mm)	1	12	CWSE	Strap	5/16" (8mm)	NV	B275130
4 3/4" (120.7mm)	4 1/16" (103mm)	1 5/8" (41.3mm)	3" (76.2mm)	1	12	CWSE	Flange	5/16" (8mm)	V	868790

BLOWER MOTORS



800.499.6849 • shop.bergstrominc.com

## 2

## BLOWER MOTORS

## Single Shaft Motors

## 5/16" Shaft Diameter Single Shaft Motor Specifications



Overall Length (A)	Motor Length (B)	Shaft Length (C)	Motor Diameter (D)	Speed	Volt	Rotation	Mount	Shaft Diameter	Vent	Part No
4 3/4" (120.7mm)	4 9/16" (116mm)	1 5/8" (41.3mm)	2 15/16" (74.6mm)	1	12	CCWCE	Stud	5/16" (8mm)	V	203412
4 3/4" (120.7mm)	4 9/16" (116mm)	1 5/8" (41.3mm)	2 15/16" (74.6mm)	1	12	CCWLE	Stud	5/16" (8mm)	V	1000694282
4 3/4" (120.7mm)	4 9/16" (116mm)	1 5/8" (41.3mm)	2 15/16" (74.6mm)	1	12	CCWCE	Stud	5/16" (8mm)	V	1001429553
4 51/64" (121.84mm)	4 19/64" (109.04mm)	1 1/32" (26.32mm)	2 31/32" (75.35mm)	1	12	CWSE	-	5/16" (7.93mm)	V	1000222438
4 7/8" (123.8mm)	4 3/16" (106.4mm)	1 9/16" (39.6mm)	3 1/16" (77.8mm)	1	24	CWSE	Stud	5/16" (8mm)	NV	B275232
4 15/16" (125.4mm)	4 5/16" (109.5mm)	1 7/16" (36.5mm)	2 15/16" (74.6mm)	1	12	CWSE	Stud	5/16" (8mm)	V	868013
4 15/16" (125.4mm)	4 1/16" (103mm)	1 13/16" (46mm)	2 15/16" (74.6mm)	1	12	CWSE	Strap	5/16" (8mm)	V	203132
4 15/16" (125.4mm)	4 11/16" (119mm)	1 7/8" (47.6mm)	3" (76.2mm)	1	12	CW	Bracket	5/16" (8mm)	V	203364
4 15/16" (125.4mm)	4 11/16" (119mm)	1 11/16" (42.9mm)	3 1/16" (77.8mm)	1	12	CCWCE	Flange	5/16" (8mm)	0	203142
5" (127mm)	4 3/16" (106.4mm)	1 3/8" (35mm)	3 1/4" (82.6mm)	2	12	CW/Spade End	Stud	5/16" (8mm)	V	203186
5" (127mm)	4 1/4" (108mm)	1" (25.4mm)	3 1/16" (77.8mm)	1	12	CWSE	Flange	5/16" (8mm)	V	203156
5" (127mm)	3 9/16" (90mm)	1" (25.4mm)	3" (76.2mm)	2	12	CWSE	Casebolt	5/16" (8mm)	V	1000132642
5" (127mm)	4 9/16" (116mm)	1 13/16" (46mm)	2 15/16" (74.6mm)	1	12	CW	Stud	5/16" (8mm)	V	203234
5 15/16" (150.8mm)	3 9/16" (90mm)	7/8" (22.2mm)	3" (76.2mm)	2	12	CCWSE	Stud	5/16" (8mm)	V	203342
6 7/16" (163.5mm)	-	-	3" (76.2mm)	1	12	CWSE	Flange	-	V	1000477193
6 13/16" (173mm)	4 13/16" (122.2mm)	2" (50.8mm)	3" (76.2mm)	1	12V	CCWSE	Strap	5/16" (8mm)	V	1001587278
7 5/16" (185.7mm)	5 5/16" (135mm)	2" (50.8mm)	3" (76.2mm)	1	12V	CCWSE	Strap	5/16" (8mm)	V	1001582686

## Single Shaft Brushless - Style Motor Specifications

Speed	Volt	Rotation	Mount	Shaft Diameter	Vent	Part No
Variable	12	CW	Flange	5/16" (8mm)	V	203368

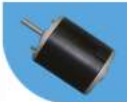
## 1/4" Shaft Diameter Single Motor Specifications

Overall Length (A)	Motor Length (B)	Shaft Length (C)	Motor Diameter (D)	Speed	Volt	Rotation	Mount	Shaft Diameter	Vent	Part No
-	-	-	3" (76.2mm)	1	12	CWSE	Flange	1/4" (6.4mm)	V	1000477197
2 7/8" (72.1mm)	2 9/16" (64mm)	1 3/16" (30.1mm)	3" (76.2mm)	2	12	CCWSE	Stud	1/4" (6.4mm)	NV	202520
2 15/16" (74.6mm)	2 9/16" (64mm)	1" (25.4mm)	3" (76.2mm)	2	12	CCWSE	Stud	1/4" (6.4mm)	NV	1000169966
3" (76.2mm)	2 9/16" (64mm)	1 5/16" (33.3mm)	3" (76.2mm)	2	12	CWSE	Stud	1/4" (6.4mm)	NV	202270
3" (76.2mm)	2 9/16" (64mm)	1" (25.4mm)	3 1/16" (77.8mm)	2	12	CCWSE	Strap	1/4" (6.4mm)	V	1000141608
3" (76.2mm)	2 9/16" (64mm)	1 5/16" (33.3mm)	3" (76.2mm)	2	12	CWSE	Stud	1/4" (6.4mm)	NV	1000132197

# Single Shaft Motors

2

BLOWER MOTORS



## 1/4" Shaft Diameter Single Motor Specifications

Overall Length (A)	Motor Length (B)	Shaft Length (C)	Motor Diameter (D)	Speed	Volt	Rotation	Mount	Shaft Diameter	Vent	Part No
3 1/16" (77.8mm)	2 5/8" (66.4mm)	7/8" (22.2mm)	3" (76.2mm)	2	12	CCWSE	Stud	1/4" (6.4mm)	NV	1000182193
3 1/16" (77.8mm)	2 5/8" (66.4mm)	7/8" (22.2mm)	3" (76.2mm)	2	24	CCWSE	Stud	1/4" (6.4mm)	NV	B274284
3 1/16" (77.8mm)	2 5/8" (66.4mm)	1 1/8" (28.6mm)	3" (76.2mm)	2	12	CWSE	Stud	1/4" (6.4mm)	NV	1000132208
4 7/16" (112.7mm)	4" (101.6mm)	1 1/8" (28.6mm)	2 15/16" (74.6mm)	1	12	CCWSE	Flange	1/4" (6.4mm)	V	203113

**Part No: 201520**



Speed: 2	Length: 3 15/16" (100mm)
Voltage: 12V	Motor Length: 3 9/16" (90mm)
Rotation: CWSE	Shaft Length: 1" (25.4mm)
Mount: Stud	Diameter: 3" (76.2mm)
Vent: NV	Amps: 3.5 amp (high), 2.2 amp (low)
Shaft Diameter: 5/16" (8mm)	Stud Span: 2 5/16" (58.67mm)
Connector: Bare leads	Wires: 2
General Specifications: Internally Grounded	

**Part No: 201930**



Speed: 2	Length: 3 3/4"
Voltage: 24	Motor Length: 3"
Rotation: CW	Shaft Length: 1 3/8"
Mount: Stud	Diameter: 3"
Vent: NV	Shaft Diameter: 5/16"

**Part No: 202270**



Speed: 2	Length: 3" (76.2mm)
Voltage: 12V	Motor Length: 2 9/16" (64mm)
Rotation: CWSE	Shaft Length: 1 5/16" (33.3mm)
Mount: Stud	Diameter: 3" (76.2mm)
Vent: NV	Amps: 3.6 amp (high), 2.2 amp (low)
Shaft Diameter: 1/4" (6.4mm)	Stud Span: 2 5/16" (58.7mm)
Connector: Bare leads	Wires: 2
General Specifications: Internally Grounded	

**Part No: 202520**



Speed: 2	Length: 2 7/8" (72.1mm)
Voltage: 12V	Motor Length: 2 9/16" (64mm)
Rotation: CCWSE	Shaft Length: 1 3/16" (30.1mm)
Mount: Stud	Diameter: 3" (76.2mm)
Vent: NV	Amps: 10 amp max
Shaft Diameter: 1/4" (6.4mm)	Stud Span: 2 5/16" (58.7mm)
Connector: Bare leads	Wires: 2
General Specifications: Internally Grounded	

**Part No: 203020**



Speed: 2	Length: 4 1/16" (103mm)
Voltage: 12V	Motor Length: 3 11/16" (93.7mm)
Rotation: CWSE	Shaft Length: 1 3/8" (35mm)
Mount: Stud	Diameter: 3" (76.2mm)
Vent: V	Amps: 10 amp max
Shaft Diameter: 5/16" (8mm)	Stud Span: 2 5/16" (58.7mm)
Connector: Bare leads	Wires: 3

**Part No: 203066**



Speed: 1	Length: 4 1/16" (103mm)
Voltage: 12V	Motor Length: 3 13/16" (96.8mm)
Rotation: CW/CCW	Shaft Length: 1 7/8" (47.6mm)
Mount: Strap	Diameter: 2 15/16" (74.6mm)
Vent: V	Amps: 16 amp max
Shaft Diameter: 5/16" (8mm)	Stud Span: 2 5/16" (58.7mm)
Connector: 1/4" Male insulated	Wires: 2



800.499.6849 • shop.bergstrominc.com

2

Single Shaft Motors

BLOWER MOTORS



**Part No: 203067**



Speed: 1	Length: 4 11/16" (119mm)
Voltage: 12V	Motor Length: 3 11/16" (93.7mm)
Rotation: CW/CCW	Shaft Length: 1 11/16" (42.9mm)
Mount: Stud	Diameter: 3 1/16" (77.8mm)
Vent: V	Stud Span: 2 5/16" (58.7mm)
Shaft Diameter: 5/16" (8mm)	Wires: 2
Connector: 1/4" Male & Female insulated	

**Part No: 203076**



Speed: 1	Plug: Orange- AMP #3-520106-2 Black- AMP #3-350819-2
Voltage: 12V	Length: 4 1/4" (108mm)
Rotation: CCWCE	Motor Length: 4" (101.6mm)
Mount: Strap	Shaft Length: 1 7/16" (36.5mm)
Vent: V	Diameter: 2 15/16" (74.6mm)
Connector: 1/4" Amp insulated	Shaft Diameter: 5/16" (8mm)
Wires: 2	Stud Span: 2 5/16" (58.7mm)

**Part No: 203088**



Speed: 2	Length: 4 1/16" (103mm)
Voltage: 12V	Motor Length: 3 9/16" (90mm)
Rotation: CWSE	Shaft Length: 1" (25.4mm)
Mount: Stud	Diameter: 3" (76.2mm)
Vent: V	Amps: 9 amp (high), 4.8 amp (low)
Shaft Diameter: 5/16" (8mm)	Stud Span: 2 5/16" (58.7mm)
Connector: Bare leads	Wires: 3
General Specifications: Thermal Protection 150°	

**Part No: 203092**



Speed: 1	Wires: 2
Voltage: 24V	Length: 4 7/16" (112.7mm)
Rotation: CCWSE	Motor Length: 4 1/16" (103mm)
Mount: Stud	Shaft Length: 1 5/16" (33.3mm)
Vent: NV	Diameter: 3" (76.2mm)
Shaft Diameter: 5/16" (8mm)	Amps: 10 amp max
Connector: Packard	Stud Span: 2 5/16" (58.7mm)
Plug: Packard #2984483 Connector	

**Part No: 203113**



Speed: 1	Wires: 2
Voltage: 12V	Length: 4 7/16" (112.7mm)
Rotation: CCWSE	Motor Length: 4" (101.6mm)
Mount: Flange	Shaft Length: 1 1/8" (28.6mm)
Vent: V	Diameter: 2 15/16" (74.6mm)
Shaft Diameter: 1/4" (6.4mm)	Amps: 22.5 amp max
Connector: Metripack	Stud Span: 2 5/16" (58.7mm)
General Specifications: RFI Protection	
Plug: Metric Pack 280 Connector	

**Part No: 203115**



Speed: 1	Wires: 2
Voltage: 12V	Length: 4 1/4" (108mm)
Rotation: CCWCE	Motor Length: 4" (101.6mm)
Mount: Strap	Shaft Length: 1 7/16" (36.5mm)
Vent: V	Diameter: 2 15/16" (74.6mm)
Shaft Diameter: 5/16" (8mm)	Amps: 17.1 amp max
Connector: Packard	Stud Span: 2 5/16" (58.7mm)
Plug: Packard #12129081 Connector	

**Part No: 203132**



Speed: 1	Wires: 2
Voltage: 12V	Length: 4 15/16" (125.4mm)
Rotation: CWSE	Motor Length: 4 1/16" (103mm)
Mount: Strap	Shaft Length: 1 13/16" (46mm)
Vent: V	Diameter: 2 15/16" (74.6mm)
Shaft Diameter: 5/16" (8mm)	Amps: 18.7 amp max
Connector: Packard	Stud Span: 2 5/16" (58.7mm)
Plug: Packard #2984528 Connector	

**Part No: 203133**



Speed: 1	Wires: 2
Voltage: 12V	Length: 4 1/4" (108mm)
Rotation: CWCE	Motor Length: 4 1/16" (103mm)
Mount: Stud	Shaft Length: 1 13/16" (46mm)
Vent: V	Diameter: 2 15/16" (74.6mm)
Shaft Diameter: 5/16" (8mm)	Amps: 11.5 amp max
Connector: Packard	Stud Span: 2 5/16" (58.7mm)
Plug: Packard # 02984528 Connector	

**Part No: 203139**

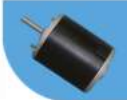


Speed: 1	Length: 4 3/16" (106.4mm)
Voltage: 12V	Motor Length: 4" (101.6mm)
Rotation: CWSE	Shaft Length: 1 13/16" (46mm)
Mount: Flange	Diameter: 3" (76.2mm)
Vent: V	Amps: 17.1 amp max
Shaft Diameter: 5/16" (8mm)	Stud Span: 2 5/16" (58.7mm)
Connector: Packard	Wires: 2
General Specifications: RFI Protection	

## Single Shaft Motors

2

BLOWER MOTORS



**Part No: 203142**



Speed: 1	Wires: 2
Voltage: 12V	Length: 4 15/16" (125.4mm)
Rotation: CCWCE	Motor Length: 4 11/16" (119mm)
Mount: Flange	Shaft Length: 1 11/16" (42.9mm)
Shaft Diameter: 5/16" (8mm)	Diameter: 3 1/16" (77.8mm)
Connector: Packard	Amps: 27 amp
General Specifications: RFI Protection	
Plug: Packard #12129939 Connector	

**Part No: 203156**



Speed: 1	Length: 5" (127mm)
Voltage: 12V	Motor Length: 4 1/4" (108mm)
Rotation: CWSE	Shaft Length: 1" (25.4mm)
Mount: Flange	Diameter: 3 1/16" (77.8mm)
Vent: V	Connector: Blade terminal
Shaft Diameter: 5/16" (8mm)	

**Part No: 203168**



Speed: 1	Wires: 2
Voltage: 12V	Length: 4 1/4" (108mm)
Rotation: CWSE	Motor Length: 4 1/16" (103mm)
Mount: Strap	Shaft Length: 1 5/16" (33.3mm)
Vent: NV	Diameter: 2 15/16" (74.6mm)
Shaft Diameter: 5/16" (8mm)	Amps: 14.2 amp max
Connector: Amp	Stud Span: 2 5/16" (58.7mm)
Plug: Orange AMP 60793-1 Connector Black AMP 60799-2 Connector	

**Part No: 203186**



Speed: 2	Length: 5" (127mm)
Voltage: 12V	Motor Length: 4 3/16" (106.4mm)
Rotation: CW/Spade End	Shaft Length: 1 3/8" (35mm)
Mount: Stud	Diameter: 3 1/4" (82.6mm)
Vent: V	Shaft Diameter: 5/16" (8mm)

**Part No: 203208**



Speed: 2	Length: 4 1/4" (108mm)
Voltage: 24V	Motor Length: 4 1/16" (103mm)
Rotation: CWSE	Shaft Length: 1 3/8" (35mm)
Mount: Stud	Diameter: 2 15/16" (74.6mm)
Vent: NV	Amps: 8.1 amp max
Shaft Diameter: 5/16" (8mm)	Stud Span: 2 5/16" (58.7mm)
Wires: 2	

**Part No: 203211**



Speed: 1	Length: 4 1/2" (114.3mm)
Voltage: 12V	Motor Length: 3 5/8" (92mm)
Rotation: CW	Shaft Length: 1 1/2" (38.1mm)
Mount: Stud	Diameter: 3" (76.2mm)
Vent: V	Shaft Diameter: 5/16" (8mm)

**Part No: 203213**



Speed: 1	Wires: 2
Voltage: 12V	Length: 4 1/4" (108mm)
Rotation: CCWSE	Motor Length: 4 1/16" (103mm)
Mount: Stud	Shaft Length: 2 1/8" (52.7mm)
Vent: V	Diameter: 2 15/16" (74.6mm)
Shaft Diameter: 5/16" (8mm)	Amps: 20.5 amp max
Connector: Packard	Stud Span: 2 5/16" (58.7mm)
Plug: Packard # 02984528 Connector	

**Part No: 203234**



Speed: 1	Length: 5" (127mm)
Voltage: 12V	Motor Length: 4 9/16" (116mm)
Rotation: CW	Shaft Length: 1 13/16" (46mm)
Mount: Stud	Diameter: 2 15/16" (74.6mm)
Vent: V	Amps: 17 amp max
Shaft Diameter: 5/16" (8mm)	Stud Span: 2 5/16" (58.7mm)
Connector: Packard	Wires: 2

**Part No: 203249**



Speed: 1	Wires: 2
Voltage: 12V	Length: 4 5/8" (117.5mm)
Rotation: CWSE	Motor Length: 3 7/8" (98.4mm)
Mount: Stud	Shaft Length: 1 9/16" (39.6mm)
Vent: V	Diameter: 2 7/8" (73mm)
Shaft Diameter: 5/16" (8mm)	Stud Span: 2 5/16" (58.7mm)
Connector: Packard	Plug: Packard # 2989591 Connector



800.499.6849 • shop.bergstrominc.com

2

Single Shaft Motors

BLOWER MOTORS



**Part No: 203255**

Speed: 1	Wires: 2
Voltage: 12V	Length: 4 1/4" (108mm)
Rotation: CCWCE	Motor Length: 4" (101.6mm)
Mount: Strap	Shaft Length: 1 5/8" (41.3mm)
Vent: V	Diameter: 2 15/16" (74.6mm)
Connector: Packard	Shaft Diameter: 5/16" (8mm)
General Specifications: RFI Protection	Stud Span: 2 5/16" (58.7mm)
Plug: Orange- Packard #2984528 Black- Packard #2984528	

**Part No: 203284**

Speed: 1	Length: 4 7/16" (112.7mm)
Voltage: 12V	Motor Length: 3 5/8" (92mm)
Rotation: CWSE	Shaft Length: 1 5/16" (33.3mm)
Mount: Flange	Diameter: 3 1/4" (82.6mm)
Vent: V	Shaft Diameter: 5/16" (8mm)

**Part No: 203342**

Speed: 2	Length: 5 15/16" (150.8mm)
Voltage: 12V	Motor Length: 3 9/16" (90mm)
Rotation: CCWSE	Shaft Length: 7/8" (22.2mm)
Mount: Stud	Diameter: 3" (76.2mm)
Vent: V	Shaft Diameter: 5/16" (8mm)

**Part No: 203361**

Speed: 1	Wires: 2
Voltage: 12V	Length: 4 9/16" (115.9mm)
Rotation: CWSE	Motor Length: 4 3/8" (111.1mm)
Mount: Flange	Shaft Length: 1 1/16" (27mm)
Vent: V	Diameter: 2 15/16" (74.6mm)
Shaft Diameter: 5/16" (8mm)	Amps: 23 amp max
Connector: Packard	Stud Span: 2 5/16" (58.7mm)
Plug: Packard #2984883 Connector	

**Part No: 203364**

Speed: 1	Length: 4 15/16" (125.4mm)
Voltage: 12V	Motor Length: 4 11/16" (119mm)
Rotation: CW	Shaft Length: 1 7/8" (47.6mm)
Mount: Bracket	Diameter: 3" (76.2mm)
Vent: V	Shaft Diameter: 5/16" (8mm)

**Part No: 203368**

Speed: Variable	Plug: Wire
Voltage: 12V	Vent: V
Rotation: CW	Shaft Diameter: 5/16" (8mm)
Mount: Flange	General Specifications: Brushless- style

**Part No: 203412**

Speed: 1	Plug: Sebros #1531 & 1461 Connector
Voltage: 12V	Length: 4 3/4" (120.7mm)
Rotation: CCWCE	Motor Length: 4 9/16" (116mm)
Mount: Stud	Shaft Length: 1 5/8" (41.3mm)
Vent: V	Diameter: 2 15/16" (74.6mm)
Shaft Diameter: 5/16" (8mm)	Amps: 26.5 amp max
Wires: 2	Stud Span: 2 5/16" (58.7mm)

**Part No: 868013**

Speed: 1	Wires: 2
Voltage: 12V	Length: 4 15/16" (125.4mm)
Rotation: CWSE	Motor Length: 4 5/16" (109.5mm)
Mount: Stud	Width: 4 5/16" (109.5mm)
Vent: V	Shaft Length: 1 7/16" (36.5mm)
Height: 1 1/4" (31.8mm)	Diameter: 2 15/16" (74.6mm)
Shaft Diameter: 5/16" (8mm)	Amps: 21.4 amp max
Connector: Amp	Plug: AMP #61362-2

**Part No: 868790**

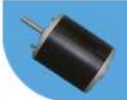
Speed: 1	Length: 4 3/4" (120.7mm)
Voltage: 12V	Motor Length: 4 1/16" (103mm)
Rotation: CWSE	Width: 4 7/16" (112.3mm)
Mount: Flange	Shaft Length: 1 5/8" (41.3mm)
Vent: V	Diameter: 3" (76.2mm)
Height: 1 1/2" (38.1mm)	Amps: 20 amp max
Shaft Diameter: 5/16" (8mm)	Connector: Packard
General Specifications: RFI Protection	Wires: 2



## Single Shaft Motors

2

BLOWER MOTORS



**Part No: 869158**



Speed: 1	Length: 4 1/16" (103mm)
Voltage: 12V	Motor Length: 3 13/16" (96.8mm)
Rotation: REV	Width: 3 1/2" (88.9mm)
Mount: Stud	Shaft Length: 1 7/8" (47.6mm)
Vent: V	Diameter: 2 15/16" (74.6mm)
Height: 1 9/16" (39.7mm)	Amps: 16 amp max
Shaft Diameter: 5/16" (8mm)	Stud Span: 2 5/16" (58.7mm)
Connector: 1/4" Male insulated	Wires: 2

**Part No: 869445**



Speed: 1	Length: 4 7/16" (112.7mm)
Voltage: 12V	Motor Length: 4 1/16" (103mm)
Rotation: CCWCE	Width: 4" (101.6mm)
Mount: Strap	Shaft Length: 1 1/8" (28.6mm)
Vent: V	Diameter: 2 15/16" (74.6mm)
Height: 1 7/16" (36.5mm)	Amps: 24 amp max
Shaft Diameter: 5/16" (8mm)	Wires: 2

**Part No: 869701**



Speed: 1	Length: 4 1/4" (108mm)
Voltage: 12V	Motor Length: 4 1/16" (103mm)
Rotation: CCWCE	Width: 4 7/16" (112.3mm)
Mount: Flange	Shaft Length: 1 11/16" (42.9mm)
Vent: V	Diameter: 3" (76.2mm)
Height: 1 1/2" (38.1mm)	Amps: 20 amp max
Shaft Diameter: 5/16" (8mm)	Connector: Packard
General Specifications: RFI Protection	Wires: 2

**Part No: 890050**



Speed: 1	Wires: 2
Voltage: 12V	Length: 4 1/4" (108mm)
Rotation: CCWCE	Motor Length: 3 13/16" (96.8mm)
Mount: Stud	Shaft Length: 1 13/16" (46mm)
Vent: V	Diameter: 2 15/16" (74.6mm)
Shaft Diameter: 5/16" (8mm)	Amps: 16.6 amp max
Connector: Packard	Stud Span: 2 5/16" (58.7mm)
Plug: Packard #2984883 Connector	

**Part No: 890063**



Speed: 1	Length: 4 5/8" (117.5mm)
Voltage: 12V	Motor Length: 4 1/8" (105mm)
Rotation: CW	Shaft Length: 1 5/16" (33.3mm)
Mount: Flange w/harness	Diameter: 3" (76.2mm)
Vent: V	Shaft Diameter: 5/16" (8mm)

**Part No: 890067**



Speed: 1	Length: 4 11/16" (119mm)
Voltage: 12V	Motor Length: 4 5/16" (109.5mm)
Rotation: CCWSE	Width: 3 13/16" (96.8mm)
Mount: Flange	Shaft Length: 1 11/16" (42.9mm)
Vent: V	Diameter: 2 15/16" (74.6mm)
Height: 1 1/2" (38.1mm)	Amps: 20 amp max
Shaft Diameter: 5/16" (8mm)	Connector: Packard
General Specifications: RFI Protection	Wires: 2

**Part No: 890099**



Speed: 1	Length: 4 5/8" (117.5mm)
Voltage: 12V	Motor Length: 4" (101.6mm)
Rotation: CWSE	Width: 4" (101.6mm)
Vent: V	Shaft Length: 1 3/4" (44.5mm)
Height: 1 13/16" (46mm)	Diameter: 2 15/16" (74.6mm)
Shaft Diameter: 5/16" (8mm)	Amps: 23 amp max
Connector: Packard	Wires: 2
General Specifications: RFI Protection	

**Part No: 1000039644**



Speed: 1	Length: 4 3/8" (111.1mm)
Voltage: 12V	Motor Length: 4" (101.6mm)
Rotation: CCW	Shaft Length: 1 13/16" (46mm)
Mount: Stud	Diameter: 3" (76.2mm)
Vent: V	Stud Span: 2 5/16" (58.7mm)
Shaft Diameter: 5/16" (8mm)	Wires: 2
General Specifications: RFI Protection	

**Part No: 1000044188**



Speed: 2	Wires: 3
Voltage: 12V	Length: 4 7/16" (112.7mm)
Rotation: CWSE	Motor Length: 3 9/16" (90mm)
Mount: Strap	Shaft Length: 1" (25.4mm)
Vent: V	Diameter: 3" (76.2mm)
Shaft Diameter: 5/16" (8mm)	Amps: 9 amp max
Plug: THB DJ7032-2.3-11 Connector	Stud Span: 2 5/16" (58.7mm)
General Specifications: Thermal Protection 160°	



800.499.6849 • shop.bergstrominc.com

2

Single Shaft Motors

BLOWER MOTORS



**Part No: 1000132197**



Speed: 2	Length: 3" (76.2mm)
Voltage: 12V	Motor Length: 2 9/16" (64mm)
Rotation: CWSE	Shaft Length: 1 5/16" (33.3mm)
Mount: Stud	Diameter: 3" (76.2mm)
Vent: NV	Amps: 3.6 amp (high), 2.2 amp (low)
Shaft Diameter: 1/4" (6.4mm)	Stud Span: 2 5/16" (58.7mm)
Connector: Bare leads	Wires: 2
General Specifications: Internally Grounded, Thermal Protection	

**Part No: 1000132208**



Speed: 2	Length: 3 1/16" (77.8mm)
Voltage: 12V	Motor Length: 2 5/8" (66.4mm)
Rotation: CWSE	Shaft Length: 1 1/8" (28.6mm)
Mount: Stud	Diameter: 3" (76.2mm)
Vent: NV	Amps: 4.2 amp (high), 2.2 amp (low)
Shaft Diameter: 1/4" (6.4mm)	Stud Span: 2 5/16" (58.7mm)
Connector: Bare leads	Wires: 2
General Specifications: Internally Grounded, Thermal Protection 130°	

**Part No: 1000132642**



Speed: 2	Length: 5" (127mm)
Voltage: 12V	Motor Length: 3 9/16" (90mm)
Rotation: CWSE	Shaft Length: 1" (25.4mm)
Mount: Casebolt	Diameter: 3" (76.2mm)
Vent: V	Amps: 6.2 amp (high), 3.5 amp (low)
Shaft Diameter: 5/16" (8mm)	Stud Span: 2 5/16" (58.7mm)
Connector: Bare leads	Wires: 2
General Specifications: Thermal Protection 135°	

**Part No: 1000141608**



Speed: 2	Wires: 3
Voltage: 12V	Length: 3" (76.2mm)
Rotation: CCWSE	Motor Length: 2 9/16" (64mm)
Mount: Strap	Shaft Length: 1" (25.4mm)
Vent: V	Diameter: 3 1/16" (77.8mm)
Shaft Diameter: 1/4" (6.4mm)	Stud Span: 2 5/16" (58.7mm)
Connector: Henan Tianhai, ring terminal	Amps: 4.2 amp (high), 2.5 amp (low)
General Specifications: Thermal Protection 120°	Plug: THB #T0870052 Connector

**Part No: 1000142451**



Speed: 1	Wires: 2
Voltage: 12V	Length: 4 9/16" (115.9mm)
Rotation: CWSE	Motor Length: 3 13/16" (96.8mm)
Mount: Flange	Shaft Length: 1" (25.4mm)
Vent: V	Diameter: 3" (76.2mm)
Shaft Diameter: 5/16" (8mm)	Amps: 21.5 amp max
Connector: Amp	Plug: Packard #2984883 Connector

**Part No: 1000169966**



Speed: 2	Wires: 3
Voltage: 12V	Length: 2 15/16" (74.6mm)
Rotation: CCWSE	Motor Length: 2 9/16" (64mm)
Mount: Stud	Shaft Length: 1" (25.4mm)
Vent: NV	Diameter: 3" (76.2mm)
Shaft Diameter: 1/4" (6.4mm)	Stud Span: 2 5/16" (58.7mm)
Connector: Packard, ring terminal	Amps: 4.2 amp (high), 2.5 amp (low)
General Specifications: Thermal Protection 120°	Plug: Packard #02984883 Connector

**Part No: 1000170295**



Speed: 1	Wires: 2
Voltage: 12V	Length: 4 1/4" (108mm)
Rotation: REV	Motor Length: 3 13/16" (95.8mm)
Mount: Strap	Shaft Length: 1 13/16" (46mm)
Vent: V	Diameter: 2 15/16" (74.6mm)
Connector: Male & Female insulated terminal	Shaft Diameter: 5/16" (8mm)
Stud Span: 2 5/16" (58.7mm)	Plug: Orange-1/4 Male Terminal, Black-1/4 Female Terminal
General Specifications: RFI Protection	

**Part No: 1000171472**



Speed: 1	Wires: 2
Voltage: 12V	Length: 4" (101.3mm)
Rotation: CWSE	Motor Length: 3 23/32" (94.2mm)
Vent: V	Shaft Length: 1" (25.4mm)
Connector: Yazak	Diameter: 3" (74.4mm)
Stud Span: 2 5/16" (58.7mm)	Shaft Diameter: 5/16" (8mm)
Plug: Red/Black Yazak	

**Part No: 1000182193**

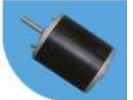


Speed: 2	Length: 3 1/16" (77.8mm)
Voltage: 12V	Motor Length: 2 5/8" (66.4mm)
Rotation: CCWSE	Shaft Length: 7/8" (22.2mm)
Mount: Stud	Diameter: 3" (76.2mm)
Vent: NV	Amps: 4.2 amp (high), 2.2 amp (low)
Shaft Diameter: 1/4" (6.4mm)	Stud Span: 2 5/16" (58.7mm)
Connector: Bare leads	Wires: 2
General Specifications: Internally Grounded, Thermal Protection 130°	

## Single Shaft Motors

2

BLOWER MOTORS



**Part No: 100022438**

Speed: 1	Wires: 2
Voltage: 12V	Length: 4 51/64" (121.84mm)
Rotation: CWSE	Motor Length: 4 19/64" (109.04mm)
Vent: V	Shaft Length: 1 1/32" (26.32mm)
Shaft Diameter: 5/16" (7.93mm)	Diameter: 2 31/32" (75.35mm)
Connector: Packard	Plug: Packard #12064750 Connector
General Specifications: RFI Protection	

**Part No: 1000223680**

Speed: 1	Wires: 2
Voltage: 12V	Length: 4 1/2" (114.3mm)
Rotation: CWSE	Motor Length: 4 5/16" (109.5mm)
Mount: Flange	Shaft Length: 1 3/16" (30.1mm)
Vent: V	Diameter: 2 15/16" (74.6mm)
Shaft Diameter: 5/16" (8mm)	Amps: 16 amp max
Connector: Waytek	Plug: Waytek #32714 Connector

**Part No: 1000255724**

Speed: 2	Length: 4 7/16" (112.7mm)
Voltage: 12V	Motor Length: 3 9/16" (90mm)
Rotation: CWSE	Shaft Length: 1 3/8" (35mm)
Mount: Stud	Diameter: 3" (76.2mm)
Vent: V	Amps: 7.5 amp (high), 4.3 amp (low)
Shaft Diameter: 5/16" (8mm)	Stud Span: 2 5/16" (58.7mm)
Connector: Bare leads	Wires: 2
General Specifications: Thermal Protection 140°	

**Part No: 1000321333**

Speed: 2	Length: 4" (101.6mm)
Voltage: 12V	Motor Length: 3 9/16" (90mm)
Rotation: CWSE	Shaft Length: 1" (25.4mm)
Mount: Stud	Diameter: 3" (76.2mm)
Vent: V	Amps: 9 amp max
Shaft Diameter: 5/16" (8mm)	Stud Span: 2 5/16" (58.9mm)
Connector: Bare leads, ring terminal	Wires: 3
General Specifications: Thermal Protection 160°	

**Part No: 1000348812**

Speed: 1	Length: 4 1/2" (114.3mm)
Voltage: 12V	Motor Length: 4" (101.6mm)
Rotation: CCWCE	Shaft Length: 1 1/4" (31.8mm)
Mount: Strap	Diameter: 3 1/8" (78mm)
Vent: NV	Amps: 14.5 amp max
Shaft Diameter: 5/16" (8mm)	Stud Span: 2 5/16" (58.7mm)
Connector: Henan Tianhai	Wires: 2
General Specifications: Dust cap	

**Part No: 1000348813**

Speed: 1	Length: 4 1/2" (114.3mm)
Voltage: 24V	Motor Length: 4" (101.6mm)
Rotation: CCWCE	Shaft Length: 1 1/4" (31.8mm)
Mount: Strap	Diameter: 3 1/8" (78mm)
Vent: NV	Amps: 7.5 amp max
Shaft Diameter: 5/16" (8mm)	Stud Span: 2 5/16" (58.7mm)
Connector: Henan Tianhai	Wires: 2
General Specifications: Dust cap	

**Part No: 1000356768**

Speed: 2	Length: 4" (101.6mm)
Voltage: 12V	Motor Length: 3 1/8" (79.4mm)
Rotation: REV	Shaft Length: 1 7/16" (36.5mm)
Mount: Stud	Diameter: 3" (76.2mm)
Vent: V	Shaft Diameter: 5/16" (8mm)
Connector: Bare leads	Amps: 9.1 amp (high), 4.9 amp (low)
General Specifications: Thermal Protection 160°	Stud Span: 2 5/16" (58.7mm)
Wires: 5	Plug: All-Strip Wire

**Part No: 1000426128**

Speed: 2	Wires: 3
Voltage: 12V	Length: 4" (101.6mm)
Rotation: CWSE	Motor Length: 3 9/16" (90mm)
Mount: Stud	Shaft Length: 1 3/16" (30.1mm)
Vent: V	Diameter: 3" (76.2mm)
Shaft Diameter: 5/16" (8mm)	Amps: 9 amp max
Connector: Amp	Stud Span: 2 5/16" (58.9mm)
General Specifications: Thermal Protection 160°	
Plug: AMP #350767-1 Connector	

**Part No: 1000477193**

Speed: 1	Length: 6 7/16" (163.5mm)
Voltage: 12V	Width: 7 3/16" (183mm)
Rotation: CWSE	Diameter: 3" (76.2mm)
Mount: Flange	Wires: 2
Vent: V	



800.499.6849 • shop.bergstrominc.com

2

Single Shaft Motors

BLOWER MOTORS

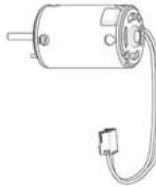


Part No: 1000477197



Speed: 1	Wires: 2
Voltage: 12V	Width: 6 3/8" (162.6mm)
Rotation: CWSE	Diameter: 3" (76.2mm)
Mount: Flange	Shaft Diameter: 1/4" (6.4mm)
Vent: V	Connector: Yazaki
Plug: Yazaki 7283-5590-40	

Part No: 1000694282



Speed: 1	Wires: 2
Voltage: 12V	Length: 4 3/4" (120.7mm)
Rotation: CCWLE	Motor Length: 4 9/16" (116mm)
Mount: Stud	Shaft Length: 1 5/8" (41.3mm)
Vent: V	Diameter: 2 15/16" (74.6mm)
Shaft Diameter: 5/16" (8mm)	Amps: 26.5 amp max
Connector: Yazaki	Stud Span: 2 5/16" (58.7mm)
Plug: Yakaki #7783-6458-40 Connector	

Part No: 1001266966



Speed: 1	Length: 4 1/4" (108mm)
Voltage: 12V	Motor Length: 4" (101.6mm)
Rotation: CWSE	Shaft Length: 1 5/16" (33.3mm)
Mount: Flange	Diameter: 2 15/16" (74.6mm)
Shaft Diameter: #10-32 UNF-2A thread	

Part No: 1001276674



Voltage: 12V
--------------

Part No: 1001429553



Speed: 1	Plug: Sebro #1531 & 1461 Connector
Voltage: 12V	Length: 4 3/4" (120.7mm)
Rotation: CCWCE	Motor Length: 4 9/16" (116mm)
Mount: Stud	Shaft Length: 1 5/8" (41.3mm)
Vent: V	Diameter: 2 15/16" (74.6mm)
Shaft Diameter: 5/16" (8mm)	Amps: 26.5 amp max

Part No: 1001582686



Speed: 1	Wires: 2
Voltage: 12V	Length: 7 5/16" (185.7mm)
Rotation: CCWSE	Rotor Length: 5 5/16" (135mm)
Mount: Strap	Shaft Length: 2" (50.8mm)
Vent: V	Diameter: 3" (76.2mm)
Shaft Diameter: 5/16" (8mm)	Stud Span: 2 5/16" (58.7mm)
Connector: Ring Terminal	Plug: AMP 12-#10 Ring Terminal

Part No: 1001587278



Speed: 1	Wires: 2
Voltage: 12V	Length: 6 13/16" (173mm)
Rotation: CCWSE	Motor Length: 4 13/16" (122.2mm)
Mount: Strap	Shaft Length: 2" (50.8mm)
Vent: V	Diameter: 3" (76.2mm)
Shaft Diameter: 5/16" (8mm)	Stud Span: 2 5/16" (58.7mm)
Connector: Ring Terminal	Plug: AMP 12-#10 Ring Terminal

Part No: B274284



Speed: 2	Length: 3 1/16" (77.8mm)
Voltage: 24V	Motor Length: 2 5/8" (66.4mm)
Rotation: CCWSE	Shaft Length: 7/8" (22.2mm)
Mount: Stud	Diameter: 3" (76.2mm)
Vent: NV	Amps: 4.2 amp (high), 2.2 amp (low)
Shaft Diameter: 1/4" (6.4mm)	Stud Span: 2 5/16" (58.7mm)
Connector: Bare leads	Wires: 2
General Specifications: Internally Grounded, Thermal Protection 125°	

Part No: B275130



Speed: 1	Wires: 2
Voltage: 12V	Length: 4 11/16" (119mm)
Rotation: CWSE	Motor Length: 4" (101.6mm)
Mount: Strap	Shaft Length: 1 1/4" (31.8mm)
Vent: NV	Diameter: 3 1/16" (77.8mm)
Shaft Diameter: 5/16" (8mm)	Amps: 16 amp max
Connector: Amp	Plug: Orange AMP 60793-1 Connector Black AMP 60799-2 Connector

# Single Shaft Motors

2

BLOWER MOTORS



**Part No: B275140**



Speed: 1	Wires: 2
Voltage: 12V	Length: 3 15/16" (100mm)
Rotation: CWSE	Motor Length: 3 11/16" (93.7mm)
Mount: Stud	Shaft Length: 1 3/8" (35mm)
Vent: V	Diameter: 2 15/16" (74.6mm)
Shaft Diameter: 5/16" (8mm)	Amps: 16 amp max
Connector: Amp	Stud Span: 2 5/16" (58.7mm)
Plug: Orange AMP 60793-1 Connector Black AMP 60799-2 Connector	

**Part No: B275141**



Speed: 1	Wires: 2
Voltage: 12V	Length: 3 15/16" (100mm)
Rotation: CCWSE	Motor Length: 3 11/16" (93.7mm)
Mount: Stud	Shaft Length: 1 3/8" (35mm)
Vent: V	Diameter: 2 15/16" (74.6mm)
Shaft Diameter: 5/16" (8mm)	Amps: 16 amp max
Connector: Amp	Stud Span: 2 5/16" (58.7mm)
Plug: Orange AMP 60793-1 Connector Black AMP 60799-2 Connector	

**Part No: B275165**



Speed: 1	Plug: Red/White AMP 60793-1 Connector Black AMP 60799-2 Connector
Voltage: 12V	Length: 4 1/2" (114.3mm)
Rotation: CCWCE	Motor Length: 4" (101.6mm)
Mount: Strap	Shaft Length: 1 3/16" (30.1mm)
Vent: NV	Diameter: 3 1/8" (78mm)
Shaft Diameter: 5/16" (8mm)	Wires: 2
Connector: Amp	Amps: 14.5 amp max
General Specifications: Stud Span: 2 5/16" (58.7mm) Dust cap	

**Part No: B275166**



Speed: 1	Length: 2 15/16" (74.6mm)
Voltage: 12V	Motor Length: 2 9/16" (64mm)
Rotation: CCWSE	Shaft Length: 7/8" (22.2mm)
Mount: Strap	Diameter: 3" (76.2mm)
Vent: NV	Amps: 8 amp max
Shaft Diameter: 5/16" (8mm)	Stud Span: 2 5/16" (58.7mm)
Connector: Amp	Wires: 2

**Part No: B275190**



Speed: 1	Wires: 2
Voltage: 12V	Length: 4 1/4" (108mm)
Rotation: CWSE	Motor Length: 4 1/16" (103mm)
Mount: Stud	Shaft Length: 1 13/16" (46mm)
Vent: V	Diameter: 2 15/16" (74.6mm)
Shaft Diameter: 5/16" (8mm)	Amps: 20 amp max
Connector: Amp	Stud Span: 2 5/16" (58.7mm)
Plug: Orange AMP 60793-1 Connector Black AMP 60799-2 Connector	

**Part No: B275232**



Speed: 1	Wires: 2
Voltage: 24V	Length: 4 7/8" (123.8mm)
Rotation: CWSE	Motor Length: 4 3/16" (106.4mm)
Mount: Stud	Shaft Length: 1 9/16" (39.6mm)
Vent: NV	Diameter: 3 1/16" (77.8mm)
Shaft Diameter: 5/16" (8mm)	Stud Span: 2 1/2" (63.5mm)
Connector: Weatherpack	Plug: W.T. #12010973 Connector

**Part No: B275240**



Speed: 1	Plug: Orange AMP 60793-1 Connector Black AMP 60799-2 Connector
Voltage: 24V	Length: 3 7/8" (98.4mm)
Rotation: CWSE	Motor Length: 3 11/16" (93.7mm)
Mount: Strap	Shaft Length: 1 3/8" (35mm)
Vent: V	Diameter: 2 15/16" (74.6mm)
Shaft Diameter: 5/16" (8mm)	Amps: 7.5 amp max
Connector: Amp	Stud Span: 2 5/16" (58.7mm)

**Part No: B275241**



Speed: 1	Wires: 2
Voltage: 24V	Length: 3 15/16" (100mm)
Rotation: CCWSE	Motor Length: 3 11/16" (93.7mm)
Mount: Stud	Shaft Length: 1 3/8" (35mm)
Vent: V	Diameter: 2 15/16" (74.6mm)
Shaft Diameter: 5/16" (8mm)	Amps: 9 amp max
Connector: Amp	Stud Span: 2 5/16" (58.7mm)
Plug: Orange AMP 60793-1 Connector Black AMP 60799-2 Connector	

**Part No: B275265**



Speed: 1	Plug: Red/White AMP 60793-1 Connector Black AMP 60799-2 Connector
Voltage: 24V	Length: 4 1/2" (114.3mm)
Rotation: CWSE	Motor Length: 4" (101.6mm)
Mount: Strap	Shaft Length: 1 1/4" (31.8mm)
Vent: NV	Diameter: 3 1/8" (78mm)
Shaft Diameter: 5/16" (8mm)	Wires: 2
Connector: Amp	Amps: 7.5 amp max
General Specifications: Stud Span: 2 5/16" (58.7mm) Dust cap	



800.499.6849 • shop.bergstrominc.com

2

Single Shaft Motors

BLOWER MOTORS



**Part No: B275266**

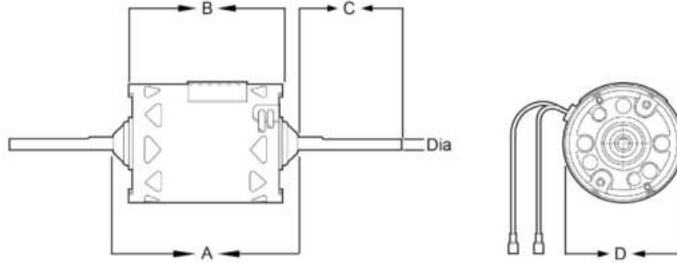


Speed: 1	Length: 2 15/16" (74.6mm)
Voltage: 24V	Motor Length: 2 9/16" (64mm)
Rotation: CCWSE	Shaft Length: 7/8" (22.2mm)
Mount: Strap	Diameter: 3" (76.2mm)
Vent: NV	Amps: 4 amp max
Shaft Diameter: 5/16" (8mm)	Stud Span: 2 5/16" (58.7mm)
Connector: Amp	

## Double Shaft Motors

2

BLOWER MOTORS



**Notes:**

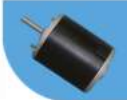
On single shaft motor, rotation is determined by viewing motor from shaft end.

**Legend:**

- A = Overall Length
- B = Motor Length
- C = Shaft Length
- D = Motor Diameter
- Dia = Shaft Diameter
- CE = Closed End
- SE = Shaft End

### 5/16" Shaft Diameter Double Motor Specifications

Overall Length (A)	Motor Length (B)	Shaft Length (C)	Motor Diameter (D)	Speed	Volt	Rotation	Mount	Shaft Diameter	Vent	Part No
3 1/2" (88.9mm)	3" (76.2mm)	3" (76.2mm)	3" (76.2mm)	3	12	CW/CCW	Strap	5/16" (8mm)	NV	203336
3 3/4" (95.3mm)	3 7/16" (86.5mm)	3 1/8" (79.4mm)	3" (76.2mm)	3	12	CCW	Stud	5/16" (8mm)	V	203335
4" (101.6mm)	3 3/8" (85.7mm)	3 1/8" (79.4mm)	3" (76.2mm)	1	12	CCW	Strap	5/16" (8mm)	V	203179
4 3/8" (111.1mm)	4 1/16" (103mm)	2 13/16" (71.4mm)	2 15/16" (74.6mm)	1	12	CCWCE	Strap	5/16" (8mm)	V	203061
4 7/16" (112.7mm)	3 11/16" (93.7mm)	3 1/16" (77.8mm)	3" (76.2mm)	1	24	CCWCE	Strap	5/16" (8mm)	V	B275202
4 7/16" (112.7mm)	3 11/16" (93.7mm)	3 1/16" (77.8mm)	3" (76.2mm)	1	12	CCWCE	Strap	5/16" (8mm)	V	B275102
4 1/2" (114.3mm)	4 1/16" (103mm)	2 13/16" (71.4mm)	2 15/16" (74.6mm)	1	12	CCWCE	Strap	5/16" (8mm)	V	205780
4 1/2" (114.3mm)	4 1/16" (103mm)	2 9/16" (65mm)	2 15/16" (74.6mm)	1	12	CCWCE	Stud	5/16" (8mm)	V	B275152
4 1/2" (114.3mm)	4 1/16" (103mm)	3 13/16" (95.9mm)	2 15/16" (74.6mm)	1	12	CCWCE	Strap	5/16" (8mm)	V	203212
4 1/2" (114.3mm)	4 1/16" (103mm)	2 13/16" (71.4mm)	2 15/16" (74.6mm)	1	12	CCWCE	Strap	5/16" (8mm)	V	203253
4 9/16" (115.9mm)	4 3/8" (111.1mm)	2 7/8" (71.8mm)	3 1/16" (77.8mm)	1	12	CCWCE	Strap	5/16" (8mm)	V	205840
4 3/4" (120.7mm)	4 5/16" (109.5mm)	2 15/16" (74.6mm)	2 15/16" (74.6mm)	1	12	CCWCE	Stud	5/16" (8mm)	V	B275156
4 7/8" (123.8mm)	4 1/2" (114.3mm)	3 1/16" (77.8mm)	2 15/16" (74.6mm)	1	12	CCWCE	Strap	5/16" (8mm)	V	203134
4 7/8" (123.8mm)	4 9/16" (116mm)	2 5/8" (66.7mm)	2 15/16" (74.6mm)	1	12	CCWCE	Stud	5/16" (8mm)	V	203090
4 13/16" (122.2mm)	4 5/16" (109.5mm)	2 15/16" (74.6mm)	2 15/16" (74.6mm)	1	24	CCWCE	Strap	5/16" (8mm)	NV	B275256
4 13/16" (122.2mm)	4 3/8" (111.1mm)	2 5/8" (66.7mm)	3 1/8" (78mm)	1	24	CCWCE	Strap	5/16" (8mm)	V	B275258
4 13/16" (122.2mm)	4 3/8" (111.1mm)	2 5/8" (66.7mm)	3 1/8" (78mm)	1	12	CCWCE	Strap	5/16" (8mm)	V	B275158
4 15/16" (125.4mm)	3 15/16" (100mm)	2 11/16" (68.3mm)	3 1/16" (77.8mm)	1	24	CCWLE	Stud	5/16" (8mm)	V	B275254
5" (127mm)	4 9/16" (116mm)	2 9/16" (65mm)	2 15/16" (74.6mm)	1	12	CCWCE	Strap	5/16" (8mm)	V	203080
5" (127mm)	4 9/16" (116mm)	2 9/16" (65mm)	2 15/16" (74.6mm)	1	12	CCWCE	Strap	5/16" (8mm)	V	B275181
5 5/16" (134.9mm)	4 9/16" (116mm)	2 3/8" (60.3mm)	2 15/16" (74.6mm)	1	12	CCWCE	-	5/16" (8mm)	V	203235
5 7/16" (138.1mm)	4 9/16" (116mm)	2 13/16" (71.4mm)	3 1/16" (77.8mm)	1	12	CCWCE	Strap	5/16" (8mm)	NV	203072
5 9/16" (134.1mm)	4 9/16" (116mm)	2 5/16" (58.2mm)	2 15/16" (74.6mm)	1	12	CCWCE	Strap	5/16" (8mm)	V	205853



800.499.6849 • shop.bergstrominc.com

2

Double Shaft Motors

BLOWER MOTORS



**Part No: 203061**



Speed: 1	Length: 4 3/8" (111.1mm)
Voltage: 12V	Motor Length: 4 1/16" (103mm)
Rotation: CCWCE	Shaft Length: 2 13/16" (71.4mm)
Mount: Strap	Diameter: 2 15/16" (74.6mm)
Vent: V	Amps: 21 amp max
Shaft Diameter: 5/16" (8mm)	Stud Span: 2 5/16" (58.7mm)
Connector: Amp	Wires: 2

**Part No: 203072**



Speed: 1	Plug: Packard #2973781 Connector
Voltage: 12V	Length: 5 7/16" (138.1mm)
Rotation: CCWCE	Motor Length: 4 9/16" (116mm)
Mount: Strap	Shaft Length: 2 13/16" (71.4mm)
Vent: NV	Diameter: 3 1/16" (77.8mm)
Shaft Diameter: 5/16" (8mm)	Amps: 20 amp max
Connector: Packard	Wires: 2

**Part No: 203080**



Speed: 1	Length: 5" (127mm)
Voltage: 12V	Motor Length: 4 9/16" (116mm)
Rotation: CCWCE	Shaft Length: 2 9/16" (65mm)
Mount: Strap	Diameter: 2 15/16" (74.6mm)
Vent: V	Amps: 25 amp max
Shaft Diameter: 5/16" (8mm)	Wires: 2
Connector: Amp	

**Part No: 203090**



Speed: 1	Wires: 2
Voltage: 12V	Length: 4 7/8" (123.8mm)
Rotation: CCWCE	Motor Length: 4 9/16" (116mm)
Mount: Stud	Shaft Length: 2 5/8" (66.7mm)
Vent: V	Diameter: 2 15/16" (74.6mm)
Shaft Diameter: 5/16" (8mm)	Amps: 23.5 amp max
Plug: Packard #2973781 Connector	Stud Span: 2 5/16" (58.7mm)

**Part No: 203134**



Speed: 1	Wires: 2
Voltage: 12V	Length: 4 7/8" (123.8mm)
Rotation: CCWCE	Motor Length: 4 1/2" (114.3mm)
Mount: Strap	Shaft Length: 3 1/16" (77.8mm)
Vent: V	Diameter: 2 15/16" (74.6mm)
Shaft Diameter: 5/16" (8mm)	Amps: 16.5 amp max
Connector: Packard	Stud Span: 2 5/16" (58.7mm)
Plug: Packard #2984528 Connector	

**Part No: 203179**



Speed: 1	Length: 4" (101.6mm)
Voltage: 12V	Motor Length: 3 3/8" (85.7mm)
Rotation: CCW	Shaft Length: 3 1/8" (79.4mm)
Mount: Strap	Diameter: 3" (76.2mm)
Vent: V	Shaft Diameter: 5/16" (8mm)

**Part No: 203212**




Speed: 1	Wires: 2
Voltage: 12V	Length: 4 1/2" (114.3mm)
Rotation: CCWCE	Motor Length: 4 1/16" (103mm)
Mount: Strap	Shaft Length: 3 13/16" (95.9mm)
Vent: V	Diameter: 2 15/16" (74.6mm)
Shaft Diameter: 5/16" (8mm)	Amps: 16.5 amp max
Plug: AMP # 640416-2	Stud Span: 2 5/16" (58.7mm)

**Part No: 203235**



Speed: 1	Length: 5 5/16" (134.9mm)
Voltage: 12V	Motor Length: 4 9/16" (116mm)
Rotation: CCWCE	Shaft Length: 2 3/8" (60.3mm)
Vent: V	Diameter: 2 15/16" (74.6mm)
Shaft Diameter: 5/16" (8mm)	Amps: 23 amp max
Connector: Amp	Wires: 2
General Specifications: RFI Protection	

**Part No: 203253**



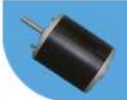
Speed: 1	Length: 4 1/2" (114.3mm)
Voltage: 12V	Motor Length: 4 1/16" (103mm)
Rotation: CCWCE	Shaft Length: 2 13/16" (71.4mm)
Mount: Strap	Diameter: 2 15/16" (74.6mm)
Vent: V	Shaft Diameter: 5/16" (8mm)
Connector: Bare leads	Amps: 17.2 amp max
Wires: 2	Stud Span: 2 5/16" (58.7mm)



## Double Shaft Motors

2

BLOWER MOTORS



**Part No: 203335**



Speed: 3	Length: 3 3/4" (95.3mm)
Voltage: 12V	Motor Length: 3 7/16" (86.5mm)
Rotation: CCW	Shaft Length: 3 1/8" (79.4mm)
Mount: Stud	Diameter: 3" (76.2mm)
Vent: V	Shaft Diameter: 5/16" (8mm)

**Part No: 203336**



Speed: 3	Length: 3 1/2" (88.9mm)
Voltage: 12V	Motor Length: 3" (76.2mm)
Rotation: CW/CCW	Shaft Length: 3" (76.2mm)
Mount: Strap	Diameter: 3" (76.2mm)
Vent: NV	Shaft Diameter: 5/16" (8mm)

**Part No: 205780**



Speed: 1	Length: 4 1/2" (114.3mm)
Voltage: 12V	Motor Length: 4 1/16" (103mm)
Rotation: CCWCE	Shaft Length: 2 13/16" (71.4mm)
Mount: Strap	Diameter: 2 15/16" (74.6mm)
Vent: V	Amps: 18 amp max
Shaft Diameter: 5/16" (8mm)	Stud Span: 2 5/16" (58.7mm)
Connector: Amp	Wires: 2

**Part No: 205840**



Speed: 1	Length: 4 9/16" (115.9mm)
Voltage: 12V	Motor Length: 4 3/8" (111.1mm)
Rotation: CCWCE	Shaft Length: 2 7/8" (71.8mm)
Mount: Strap	Diameter: 3 1/16" (77.8mm)
Vent: V	Shaft Diameter: 5/16" (8mm)
Connector: Amp	Wires: 2

**Part No: 205853**




Speed: 1	Length: 5 9/16" (134.1mm)
Voltage: 12V	Motor Length: 4 9/16" (116mm)
Rotation: CCWCE	Shaft Length: 2 5/16" (58.2mm)
Mount: Strap	Diameter: 2 15/16" (74.6mm)
Vent: V	Amps: 23.5 amp
Shaft Diameter: 5/16" (8mm)	Stud Span: 2 5/16" (58.7mm)
Connector: Amp	Wires: 2

**Part No: B275102**




Speed: 1	Wires: 2
Voltage: 12V	Length: 4 7/16" (112.7mm)
Rotation: CCWCE	Motor Length: 3 11/16" (93.7mm)
Mount: Strap	Shaft Length: 3 1/16" (77.8mm)
Vent: V	Diameter: 3" (76.2mm)
Shaft Diameter: 5/16" (8mm)	Amps: 19.5 amp max
Connector: Amp	Plug: Orange AMP 60793-1 Connector Black AMP 60799-2 Connector

**Part No: B275152**



Speed: 1	Length: 4 1/2" (114.3mm)
Voltage: 12V	Motor Length: 4 1/16" (103mm)
Rotation: CCWCE	Shaft Length: 2 9/16" (65mm)
Mount: Stud	Diameter: 2 15/16" (74.6mm)
Vent: V	Amps: 21 amp max
Shaft Diameter: 5/16" (8mm)	Stud Span: 2 5/16" (58.7mm)
Connector: Amp	Wires: 2

**Part No: B275156**



Speed: 1	Length: 4 3/4" (120.7mm)
Voltage: 12V	Motor Length: 4 5/16" (109.5mm)
Rotation: CCWCE	Shaft Length: 2 15/16" (74.6mm)
Mount: Stud	Diameter: 2 15/16" (74.6mm)
Vent: V	Amps: 21 amp max
Shaft Diameter: 5/16" (8mm)	Stud Span: 2 5/16" (58.7mm)
Connector: Amp	Wires: 2

**Part No: B275158**



Speed: 1	Length: 4 13/16" (122.2mm)
Voltage: 12V	Motor Length: 4 3/8" (111.1mm)
Rotation: CCWCE	Shaft Length: 2 5/8" (66.7mm)
Mount: Strap	Diameter: 3 1/8" (78mm)
Vent: V	Stud Span: 2 1/2" (63.5mm)
Shaft Diameter: 5/16" (8mm)	Wires: 2
Connector: Amp	



800.499.6849 • shop.bergstrominc.com

2

Double Shaft Motors

BLOWER MOTORS



**Part No: B275181**



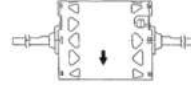
Speed: 1	Length: 5" (127mm)
Voltage: 12V	Motor Length: 4 9/16" (116mm)
Rotation: CCWCE	Shaft Length: 2 9/16" (65mm)
Mount: Strap	Diameter: 2 15/16" (74.6mm)
Vent: V	Amps: 25 amp max
Shaft Diameter: 5/16" (8mm)	Stud Span: 2 5/16" (58.7mm)
Connector: Amp	Wires: 2

**Part No: B275202**



Speed: 1	Wires: 2
Voltage: 24V	Length: 4 7/16" (112.7mm)
Rotation: CCWCE	Motor Length: 3 11/16" (93.7mm)
Mount: Strap	Shaft Length: 3 1/16" (77.8mm)
Vent: V	Diameter: 3" (76.2mm)
Shaft Diameter: 5/16" (8mm)	Amps: 10.5 amp max
Connector: Amp	Plug: Orange AMP 60793-1 Connector Black AMP 60799-2 Connector

**Part No: B275254**



Speed: 1	Length: 4 15/16" (125.4mm)
Voltage: 24V	Motor Length: 3 15/16" (100mm)
Rotation: CCWLE	Shaft Length: 2 11/16" (68.3mm)
Mount: Stud	Diameter: 3 1/16" (77.8mm)
Vent: V	Shaft Diameter: 5/16" (8mm)
Connector: Amp	Wires: 2

**Part No: B275256**



Speed: 1	Length: 4 13/16" (122.2mm)
Voltage: 24V	Motor Length: 4 5/16" (109.5mm)
Rotation: CCWCE	Shaft Length: 2 15/16" (74.6mm)
Mount: Strap	Diameter: 2 15/16" (74.6mm)
Vent: NV	Amps: 10.5 amp max
Shaft Diameter: 5/16" (8mm)	Stud Span: 2 5/16" (58.7mm)
Connector: Amp	Wires: 2

**Part No: B275258**

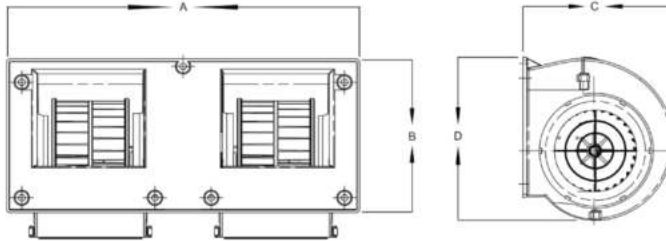


Speed: 1	Length: 4 13/16" (122.2mm)
Voltage: 24V	Motor Length: 4 3/8" (111.1mm)
Rotation: CCWCE	Shaft Length: 2 5/8" (66.7mm)
Mount: Strap	Diameter: 3 1/8" (78mm)
Vent: V	Stud Span: 2 1/2" (63.5mm)
Shaft Diameter: 5/16" (8mm)	Wires: 2
Connector: Bare leads	

# Blower Assemblies

2

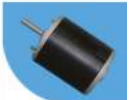
BLOWER MOTORS



**Legend:**  
 A = Overall Length  
 B = Width  
 C = Height  
 D = Diameter  
 CE = Closed End  
 LE = Lead End

## Blower Assembly Specifications

Overall Length (A)	Width (B)	Height (C)	Diameter (D)	Speed	Volt	Rotation	Mount	Vent	Wires	Part No
-	-	-	-	-	12	CWSE	-	-	-	1000954752
-	-	-	-	-	12	-	-	-	-	1000734305
-	5" (127mm)	4 1/4" (107.5mm)	-	3	12	-	-	-	-	1001876252
4 11/16" (119mm)	-	5 1/16" (128.6mm)	-	2	12	CCW	-	-	-	1000220907
9 13/16" (240mm)	-	-	2 15/16" (74.6mm)	1	12	CW	Strap	V	2	203356
12 29/32" (328mm)	6 2/5" (162.6mm)	-	8 7/32" (209mm)	1	12	CCWCE	-	V	2	1000427320
12 53/64" (326mm)	4 1/4" (108.1mm)	4 31/64" (113.9mm)	5 5/64" (129mm)	3	12	CCWCE	-	V	-	1000033591
12 13/16" (326mm)	4 1/2" (114.3mm)	5 1/8" (129mm)	-	3	12	CWSE	-	-	-	1001363523
12 7/8" (326mm)	-	-	5 1/8" (129mm)	1	12	CW	-	-	-	1000304978
12 7/8" (326mm)	4 1/2" (114.3mm)	-	5 1/8" (129mm)	1	24	CCWCE	Strap	V	-	1000304980
13 25/32" (349.3mm)	-	-	6 21/32" (169mm)	-	12	-	-	-	-	1001342517
13 25/32" (349.3mm)	5 5/16" (135.2mm)	5 17/32" (140.4mm)	-	1	12	CCWLE	Strap	V	2	B411343
13 3/4" (349.3mm)	5 3/8" (136.5mm)	5 1/8" (130mm)	-	1	12	CWLE	Strap	V	-	203268
13 3/4" (349.3mm)	5 5/16" (135.2mm)	5 1/2" (139.7mm)	6 5/8" (168mm)	1	12	CWLE	Strap	V	-	519703
13 13/16" (350.8mm)	5 5/16" (135.2mm)	5 1/2" (139.7mm)	6 11/16" (170mm)	1	12	CWCE	Strap	V	-	519714
13 13/16" (350.8mm)	5 5/16" (135.2mm)	5 1/2" (139.7mm)	6 11/16" (170mm)	1	24	CCWCE	Strap	V	-	519715
13 13/16" (350.8mm)	5 3/8" (136.5mm)	5 9/16" (140mm)	6 5/8" (168mm)	1	12	CCWCE	Strap	V	2	1000153941
13 13/16" (350.8mm)	5 5/16" (135.2mm)	5 1/2" (139.7mm)	6 11/16" (170mm)	1	12	CCWCE	Strap	-	2	B411271
13 13/16" (350.8mm)	6 3/5" (167.6mm)	5 1/2" (139.7mm)	6 39/64" (167.6mm)	1	12	CCWCE	-	V	2	B411330
13 7/8" (352.3mm)	4" (101.6mm)	4 1/4" (108mm)	5" (127mm)	3	12	CCWCE	Strap	-	4	1000046148
13 7/8" (352.3mm)	4" (101.6mm)	4 1/4" (108mm)	5" (127mm)	2	12	CCWLE	Strap	-	3	1000046149
13 7/8" (352.3mm)	3 63/64" (101.3mm)	4 1/4" (107.5mm)	5" (127mm)	2	12	CCWCE	-	-	3	1000222667
13 7/8" (352.3mm)	3 15/16" (101mm)	4 1/4" (107.5mm)	5" (127mm)	3	12	-	-	-	-	1001044338
13 7/8" (352.3mm)	4 1/4" (108.1mm)	3 15/16" (101mm)	5" (127mm)	2	12	-	-	-	-	1002333250



800.499.6849 • shop.bergstrominc.com

2

**Blower Assemblies**

**Blower Assembly Specifications**

BLOWER MOTORS

Overall Length (A)	Width (B)	Height (C)	Diameter (D)	Speed	Volt	Rotation	Mount	Vent	Wires	Part No
13 7/8" (352.3mm)	4 1/8" (105mm)	4 7/16" (112.3mm)	5" (127mm)	1	12	CCWLE	Strap	-	2	<b>B411193</b>
13 7/8" (352.3mm)	3 63/64" (101.3mm)	4 1/4" (107.5mm)	5" (127mm)	3	12	CCWCE	-	-	4	<b>B411465</b>
13 7/8" (352.3mm)	4" (101.6mm)	4 1/4" (108mm)	5" (127mm)	3	12	-	-	-	4	<b>B944184</b>
14 13/16" (376mm)	6 1/2" (165mm)	6 55/64" (174.2mm)	7 19/32" (193mm)	1	12	CCWCE	-	V	2	<b>1001612436</b>
14 13/16" (376mm)	6 1/2" (165mm)	2 11/16" (68.3mm)	7 5/16" (186mm)	1	12	CCWCE	Strap	V	-	<b>1001616296</b>



<p><b>Part No: 203268</b></p> 	<p><b>Part No: 203356</b></p> 	<p><b>Part No: 519703</b></p> 																																				
<table border="1"> <tr><td>Speed: 1</td><td>Length: 13 3/4" (349.3mm)</td></tr> <tr><td>Voltage: 12V</td><td>Motor Length: 5 3/8" (136.5mm)</td></tr> <tr><td>Rotation: CWLE</td><td>Width: 5 3/8" (136.5mm)</td></tr> <tr><td>Mount: Strap</td><td>Shaft Length: 5 1/8" (130.2mm)</td></tr> <tr><td>Vent: V</td><td>Height: 5 1/8" (130mm)</td></tr> </table>	Speed: 1	Length: 13 3/4" (349.3mm)	Voltage: 12V	Motor Length: 5 3/8" (136.5mm)	Rotation: CWLE	Width: 5 3/8" (136.5mm)	Mount: Strap	Shaft Length: 5 1/8" (130.2mm)	Vent: V	Height: 5 1/8" (130mm)	<table border="1"> <tr><td>Speed: 1</td><td>Length: 9 13/16" (249mm)</td></tr> <tr><td>Voltage: 12V</td><td>Motor Length: 4 1/16" (103mm)</td></tr> <tr><td>Rotation: CW</td><td>Shaft Length: 2" (50.8mm)</td></tr> <tr><td>Mount: Strap</td><td>Diameter: 2 15/16" (74.6mm)</td></tr> <tr><td>Vent: V</td><td>Amps: 25.7 amp</td></tr> <tr><td>Shaft Diameter: 5/16" (8mm)</td><td>Wires: 2</td></tr> <tr><td colspan="2">Connector: Packard</td></tr> </table>	Speed: 1	Length: 9 13/16" (249mm)	Voltage: 12V	Motor Length: 4 1/16" (103mm)	Rotation: CW	Shaft Length: 2" (50.8mm)	Mount: Strap	Diameter: 2 15/16" (74.6mm)	Vent: V	Amps: 25.7 amp	Shaft Diameter: 5/16" (8mm)	Wires: 2	Connector: Packard		<table border="1"> <tr><td>Speed: 1</td><td>Length: 13 3/4" (349.3mm)</td></tr> <tr><td>Voltage: 12V</td><td>Motor Length: 5 5/16" (135mm)</td></tr> <tr><td>Rotation: CWLE</td><td>Width: 5 5/16" (135mm)</td></tr> <tr><td>Mount: Strap</td><td>Shaft Length: 5 33/64" (140mm)</td></tr> <tr><td>Vent: V</td><td>Diameter: 6 5/8" (168mm)</td></tr> <tr><td>Height: 5 1/2" (139.7mm)</td><td>Amps: 36 amp</td></tr> </table>	Speed: 1	Length: 13 3/4" (349.3mm)	Voltage: 12V	Motor Length: 5 5/16" (135mm)	Rotation: CWLE	Width: 5 5/16" (135mm)	Mount: Strap	Shaft Length: 5 33/64" (140mm)	Vent: V	Diameter: 6 5/8" (168mm)	Height: 5 1/2" (139.7mm)	Amps: 36 amp
Speed: 1	Length: 13 3/4" (349.3mm)																																					
Voltage: 12V	Motor Length: 5 3/8" (136.5mm)																																					
Rotation: CWLE	Width: 5 3/8" (136.5mm)																																					
Mount: Strap	Shaft Length: 5 1/8" (130.2mm)																																					
Vent: V	Height: 5 1/8" (130mm)																																					
Speed: 1	Length: 9 13/16" (249mm)																																					
Voltage: 12V	Motor Length: 4 1/16" (103mm)																																					
Rotation: CW	Shaft Length: 2" (50.8mm)																																					
Mount: Strap	Diameter: 2 15/16" (74.6mm)																																					
Vent: V	Amps: 25.7 amp																																					
Shaft Diameter: 5/16" (8mm)	Wires: 2																																					
Connector: Packard																																						
Speed: 1	Length: 13 3/4" (349.3mm)																																					
Voltage: 12V	Motor Length: 5 5/16" (135mm)																																					
Rotation: CWLE	Width: 5 5/16" (135mm)																																					
Mount: Strap	Shaft Length: 5 33/64" (140mm)																																					
Vent: V	Diameter: 6 5/8" (168mm)																																					
Height: 5 1/2" (139.7mm)	Amps: 36 amp																																					
<p><b>Part No: 519714</b></p> 	<p><b>Part No: 519715</b></p> 	<p><b>Part No: 1000033591</b></p> 																																				
<table border="1"> <tr><td>Speed: 1</td><td>Length: 13 13/16" (350.8mm)</td></tr> <tr><td>Voltage: 12V</td><td>Motor Length: 5 5/16" (135mm)</td></tr> <tr><td>Rotation: CWCE</td><td>Width: 5 5/16" (135mm)</td></tr> <tr><td>Mount: Strap</td><td>Shaft Length: 5 9/16" (141.3mm)</td></tr> <tr><td>Vent: V</td><td>Diameter: 6 11/16" (170mm)</td></tr> <tr><td>Height: 5 1/2" (139.7mm)</td><td>Amps: 22 amp</td></tr> </table>	Speed: 1	Length: 13 13/16" (350.8mm)	Voltage: 12V	Motor Length: 5 5/16" (135mm)	Rotation: CWCE	Width: 5 5/16" (135mm)	Mount: Strap	Shaft Length: 5 9/16" (141.3mm)	Vent: V	Diameter: 6 11/16" (170mm)	Height: 5 1/2" (139.7mm)	Amps: 22 amp	<table border="1"> <tr><td>Speed: 1</td><td>Length: 13 13/16" (350.8mm)</td></tr> <tr><td>Voltage: 24V</td><td>Motor Length: 5 5/16" (135mm)</td></tr> <tr><td>Rotation: CCWCE</td><td>Width: 5 5/16" (135mm)</td></tr> <tr><td>Mount: Strap</td><td>Shaft Length: 5 9/16" (141.3mm)</td></tr> <tr><td>Vent: V</td><td>Diameter: 6 11/16" (170mm)</td></tr> <tr><td>Height: 5 1/2" (139.7mm)</td><td>Amps: 22 amp</td></tr> </table>	Speed: 1	Length: 13 13/16" (350.8mm)	Voltage: 24V	Motor Length: 5 5/16" (135mm)	Rotation: CCWCE	Width: 5 5/16" (135mm)	Mount: Strap	Shaft Length: 5 9/16" (141.3mm)	Vent: V	Diameter: 6 11/16" (170mm)	Height: 5 1/2" (139.7mm)	Amps: 22 amp	<table border="1"> <tr><td>Speed: 3</td><td>Length: 12 53/64" (326mm)</td></tr> <tr><td>Voltage: 12V</td><td>Motor Length: 4 1/4" (108.1mm)</td></tr> <tr><td>Rotation: CCWCE</td><td>Width: 4 1/4" (108.1mm)</td></tr> <tr><td>Vent: V</td><td>Shaft Length: 4 31/64" (114mm)</td></tr> <tr><td>Height: 4 31/64" (113.9mm)</td><td>Diameter: 5 5/64" (129mm)</td></tr> <tr><td>General Specifications: with Resistor</td><td>Amps: 36.38 amp</td></tr> </table>	Speed: 3	Length: 12 53/64" (326mm)	Voltage: 12V	Motor Length: 4 1/4" (108.1mm)	Rotation: CCWCE	Width: 4 1/4" (108.1mm)	Vent: V	Shaft Length: 4 31/64" (114mm)	Height: 4 31/64" (113.9mm)	Diameter: 5 5/64" (129mm)	General Specifications: with Resistor	Amps: 36.38 amp
Speed: 1	Length: 13 13/16" (350.8mm)																																					
Voltage: 12V	Motor Length: 5 5/16" (135mm)																																					
Rotation: CWCE	Width: 5 5/16" (135mm)																																					
Mount: Strap	Shaft Length: 5 9/16" (141.3mm)																																					
Vent: V	Diameter: 6 11/16" (170mm)																																					
Height: 5 1/2" (139.7mm)	Amps: 22 amp																																					
Speed: 1	Length: 13 13/16" (350.8mm)																																					
Voltage: 24V	Motor Length: 5 5/16" (135mm)																																					
Rotation: CCWCE	Width: 5 5/16" (135mm)																																					
Mount: Strap	Shaft Length: 5 9/16" (141.3mm)																																					
Vent: V	Diameter: 6 11/16" (170mm)																																					
Height: 5 1/2" (139.7mm)	Amps: 22 amp																																					
Speed: 3	Length: 12 53/64" (326mm)																																					
Voltage: 12V	Motor Length: 4 1/4" (108.1mm)																																					
Rotation: CCWCE	Width: 4 1/4" (108.1mm)																																					
Vent: V	Shaft Length: 4 31/64" (114mm)																																					
Height: 4 31/64" (113.9mm)	Diameter: 5 5/64" (129mm)																																					
General Specifications: with Resistor	Amps: 36.38 amp																																					

## Blower Assemblies

2

BLOWER MOTORS



**Part No: 1000046148**

Speed: 3	Wires: 4
Voltage: 12V	Length: 13 7/8" (352.3mm)
Rotation: CCWCE	Motor Length: 4" (101.6mm)
Mount: Strap	Width: 4" (101.6mm)
Height: 4 1/4" (108mm)	Shaft Length: 4 1/4" (108mm)
Shaft Diameter: 5/16" (8mm)	Diameter: 5" (127mm)
General Specifications: Thermal Protection 160°	Amps: 18.5 amp max
Plug: Packard #12015664 Connector	

**Part No: 1000046149**

Speed: 2	Wires: 3
Voltage: 12V	Length: 13 7/8" (352.3mm)
Rotation: CCWLE	Motor Length: 4" (101.6mm)
Mount: Strap	Width: 4" (101.6mm)
Height: 4 1/4" (108mm)	Shaft Length: 4 1/4" (108mm)
Plug: Packard #12124753	Diameter: 5" (127mm)
General Specifications: Thermal Protection 160°	Amps: 18.5 amp max

**Part No: 1000153941**

Speed: 1	Wires: 2
Voltage: 12V	Length: 13 13/16" (350.8mm)
Rotation: CCWCE	Motor Length: 5 5/16" (135mm)
Mount: Strap	Width: 5 3/8" (136.5mm)
Vent: V	Shaft Length: 5 9/16" (141.3mm)
Height: 5 9/16" (140mm)	Diameter: 6 5/8" (168mm)
General Specifications: RFI Protection	Amps: 20 amp max
Plug: Packard #2064750 Connector	

**Part No: 1000220907**

Speed: 2	Plug: AMP #770025-1 Connector
Voltage: 12V	Length: 4 11/16" (119mm)
Rotation: CCW	Shaft Length: 5 1/16" (128.6mm)
Height: 5 1/16" (128.59mm)	Diameter: 5 3/4" (146mm)
Wires: 3	Amps: 9.5 amp max

**Part No: 1000222667**

Speed: 2	Length: 13 7/8" (352.3mm)
Voltage: 12V	Motor Length: 3 63/64" (101.3mm)
Rotation: CCWCE	Width: 4" (101.6mm)
Height: 4 15/64" (107.55mm)	Shaft Length: 4 1/4" (107.5mm)
Amps: 14.2 amp max	Diameter: 5" (127mm)
General Specifications: Thermal Protection 140°	Wires: 3

**Part No: 1000304978**

Speed: 1	Length: 12 7/8" (326mm)
Voltage: 12V	Shaft Length: 4 1/2" (114mm)
Rotation: CW	Diameter: 5 1/8" (129mm)

**Part No: 1000304980**

Speed: 1	Length: 12 7/8" (326mm)
Voltage: 24V	Motor Length: 4 1/2" (114.3mm)
Rotation: CCWCE	Width: 4 1/2" (114.3mm)
Mount: Strap	Shaft Length: 4 1/2" (114mm)
Vent: V	Diameter: 5 1/8" (129mm)
Amps: 35 amp	

**Part No: 1000427320**

Speed: 1	Length: 12 29/32" (328mm)
Voltage: 12V	Motor Length: 6 13/32" (162.56mm)
Rotation: CCWCE	Width: 6 2/5" (162.56mm)
Vent: V	Shaft Length: 6 25/64" (162mm)
Amps: 23.4 amp	Diameter: 8 7/32" (209mm)
General Specifications: RFI Protection	Wires: 2

**Part No: 1000734305**

Voltage: 24V	
--------------	--



800.499.6849 • shop.bergstrominc.com

2

**Blower Assemblies**

BLOWER MOTORS



**Part No: 1000954752**



Voltage: 12V	Rotation: CWSE
--------------	----------------

**Part No: 1001044338**



Speed: 3	Length: 13 7/8" (352.3mm)
Voltage: 12V	Width: 3 15/16" (101mm)
Height: 4 1/4" (107.5mm)	Diameter: 5" (127mm)
Mounting Width: 3 1/25" (88.6mm)	Plug: Delphi #12129135 Connector

**Part No: 1001342517**



Voltage: 12V	Length: 13 25/32" (350mm)
Shaft Length: 5 33/64" (140mm)	Motor Length: 5 5/16" (135.2mm)
Diameter: 6 21/32" (169mm)	Amps: 22 amp max

**Part No: 1001363523**



Speed: 3	Rotation: CWSE
Voltage: 12V	Vent: V
Length: 12 13/16" (326mm)	Width: 4 1/2" (114.3mm)
Height: 5 1/8" (130mm)	

**Part No: 1001612436**




Speed: 1	Length: 14 13/16" (376mm)
Voltage: 12	Motor Length: 6 1/2" (165mm)
Rotation: CCWCE	Width: 6 1/2" (165.1mm)
Vent: V	Shaft Length: 6 55/64" (174mm)
Height: 6 55/64" (174.2mm)	Diameter: 7 19/32" (193mm)
Wires: 2	Amps: 18 amp
General Specifications: RFI Protection	

**Part No: 1001616296**




Speed: 1	Length: 14 13/16" (376mm)
Voltage: 12V	Motor Length: 6 1/2" (165mm)
Rotation: CCWCE	Width: 6 1/2" (165mm)
Mount: Strap	Shaft Length: 2 11/16" (68.3mm)
Vent: V	Diameter: 7 5/16" (186mm)
Height: 6 7/8" (174mm)	Shaft Diameter: 5/16" (8mm)
General Specifications: RFI Protection	

**Part No: 1001876252**



Speed: 3	Width: 5" (127mm)
Voltage: 12V	Height: 4 1/4" (107.5mm)
General Specifications: Lead Length 37" (940mm)	

**Part No: 1002333250**



Speed: 2	Length: 13 7/8" (352.3mm)
Voltage: 12V	Width: 4 1/4" (107.5mm)
Height: 3 15/16" (101mm)	Diameter: 5" (127mm)

**Part No: B411193**

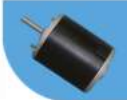


Speed: 1	Length: 13 7/8" (352.3mm)
Voltage: 12V	Motor Length: 4 1/8" (105mm)
Rotation: CCWLE	Width: 4 1/8" (105mm)
Mount: Strap	Shaft Length: 4 7/16" (112.7mm)
Height: 4 7/16" (112.3mm)	Diameter: 5" (127mm)
Wires: 2	Amps: 16 amp max

## Blower Assemblies

2

BLOWER MOTORS



**Part No: B411271**



Speed: 1	Length: 13 13/16" (350.8mm)
Voltage: 24V	Motor Length: 5 5/16" (135mm)
Rotation: CCWCE	Width: 5 5/16" (135mm)
Mount: Strap	Shaft Length: 5 9/16" (141.3mm)
Height: 5 1/2" (139.7mm)	Diameter: 6 11/16" (170mm)
Wires: 2	Amps: 15.8 amp max
General Specifications: RFI Protection	

**Part No: B411330**



Speed: 1	Length: 13 13/16" (350.5mm)
Voltage: 12V	Motor Length: 5 5/16" (135.38mm)
Rotation: CCWCE	Width: 6 3/5" (167.6mm)
Vent: V	Shaft Length: 5 1/2" (139.7mm)
Height: 5 1/2" (139.7mm)	Diameter: 6 39/64" (167.6mm)
Shaft Diameter: 5/16" (8mm)	Amps: 21 amp max
Wires: 2	

**Part No: B411343**



Speed: 1	Rotation: CCWLE
Voltage: 12V	Vent: V
Length: 13 25/32" (349.8mm)	Width: 5 5/16" (135.2mm)
Mount: Strap	Height: 5 17/32" (140.4mm)
Wires: 2	Amps: 20 amp max
General Specifications: RFI Protection	

**Part No: B411465**



Speed: 3	Plug: Fleck #A-3-2 Connector
Voltage: 12V	Length: 13 7/8" (352.3mm)
Rotation: CCWCE	Motor Length: 3 63/64" (101.3mm)
Height: 4 13/64" (106.7mm)	Shaft Length: 4 1/4" (107.5mm)
Amps: 14.2 amp max	Diameter: 5" (127mm)
General Specifications: Thermal Protection 140°	
Wires: 4	

**Part No: B944184**



Speed: 3	Length: 13 7/8" (352.3mm)
Voltage: 12V	Motor Length: 4" (101.6mm)
Amps: 14.2 amp max	Shaft Length: 4 1/4" (108mm)
Wires: 4	Diameter: 5" (127mm)
General Specifications: Thermal Protection 140°	

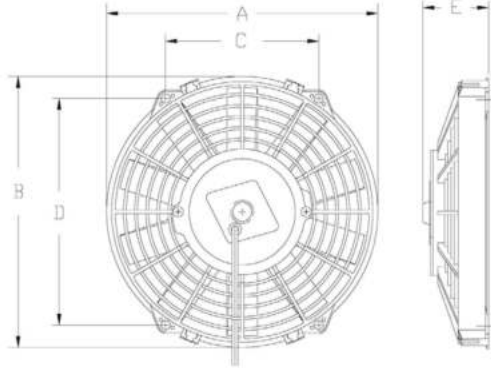


800.499.6849 • shop.bergstrominc.com

2

Condenser Fan Assemblies

BLOWER MOTORS



**Legend:**  
 A = Overall Height  
 B = Overall Width  
 C = Mounting Width  
 D = Mounting Height  
 E = Thickness



Condenser Fan Assembly Specifications

Overall Height (A)	Overall Width (B)	Mounting Width (C)	Mounting Height (D)	Thickness (E)	Speed	Volt	Rotation	Type	Vent	Part No
6 3/4" (172mm)	6 3/4" (172mm)	-	-	2" (51mm)	1	12	-	-	-	1001745142
11 1/16" (283.5mm)	10 1/2" (284mm)	5 5/8" (142.3mm)	9 3/4" (247mm)	2" (51mm)	1	12	CW	Puller	NV	1002479301
11 15/16" (304mm)	11 15/16" (304mm)	6 13/16" (172.6mm)	11 3/4" (299mm)	2 1/4" (57mm)	1	24	CW	Pusher	NV	1002477045
12 1/16" (309.5mm)	11 1/2" (294mm)	6 1/16" (154.5mm)	10 1/2" (269mm)	2" (51mm)	1	12	CW	Puller	NV	1002478731
12 1/4" (310mm)	11 9/16" (294mm)	6 1/8" (155mm)	10 9/16" (269mm)	2 3/4" (68.9mm)	1	12	CW	Puller	-	1002712150
14 1/4" (361mm)	13 1/2" (344.5mm)	7 1/16" (180.5mm)	9 3/4" (247mm)	2" (51mm)	1	12	CCW	Puller	NV	1002479122
15" (382mm)	14 7/16" (367mm)	7 1/2" (191mm)	13" (331mm)	2 7/16" (63mm)	1	12	CCW	Puller	NV	1001216705
16 1/4" (414mm)	15 3/4" (400mm)	8 1/8" (206.5mm)	14 1/16" (358mm)	2 1/2" (63mm)	-	12	CW	Puller	NV	1001284911
16 5/16" (414mm)	15 3/4" (400mm)	8 1/8" (206.5mm)	14 1/8" (358mm)	2 7/16" (63mm)	1	12	CW	Puller	NV	1001216759

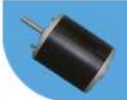
<p><b>Part No: 1001216705</b></p> 	<p><b>Part No: 1001216759</b></p> 	<p><b>Part No: 1001284911</b></p> 			
Speed: 1	Type: Puller	Speed: 1	Type: Puller	Speed: 12V	Type: Pusher
Voltage: 12V	Vent: NV	Voltage: 12V	Vent: NV	Rotation: CW	Vent: NV
Rotation: CCW	Thickness: 2 7/16" (63mm)	Rotation: CW	Thickness: 2 7/16" (63mm)	Height: 16 1/4" (414mm)	Thickness: 2 1/2" (63mm)
Height: 15" (382mm)	Width: 14 7/16" (367mm)	Height: 16 5/16" (414mm)	Width: 15 3/4" (400mm)	Mounting Width: 8 1/8" (206.5mm)	Width: 15 3/4" (400mm)
Mounting Width: 7 1/2" (191mm)	Mounting Height: 13" (331mm)	Mounting Width: 8" (20.5mm)	Mounting Height: 14 1/8" (358mm)	Mounting Height: 14 1/16" (358mm)	




## Condenser Fan Assemblies

2

BLOWER MOTORS



**Part No: 1001745142**



Voltage: 12V	Thickness: 2" (51mm)
Height: 6 3/4" (172mm)	Width: 6 3/4" (172mm)

**Part No: 1002477045**



Speed: 1	Type: Pusher
Voltage: 24V	Vent: NV
Rotation: CW	Thickness: 2 1/4" (57mm)
Height: 11 15/16" (304mm)	Width: 11 15/16" (304mm)
Mounting Width: 6 13/16" (172.6mm)	Mounting Height: 11 3/4" (299mm)

**Part No: 1002478731**



Speed: 1	Type: Puller
Voltage: 12V	Vent: NV
Rotation: CW	Thickness: 2" (51mm)
Height: 12 1/16" (309.5mm)	Width: 11 1/2" (294mm)
Mounting Width: 6 1/16" (154.5mm)	Mounting Height: 10 1/2" (269mm)

**Part No: 1002479122**



Speed: 1	Type: Puller
Voltage: 12V	Vent: NV
Rotation: CCW	Thickness: 2" (51mm)
Height: 14 1/4" (361mm)	Width: 13 1/2" (344.5mm)
Mounting Width: 7 1/16" (180.5mm)	Mounting Height: 9 3/4" (247mm)

**Part No: 1002479301**



Speed: 1	Type: Puller
Voltage: 12V	Vent: NV
Rotation: CW	Thickness: 2" (51mm)
Height: 11 1/6" (283.5mm)	Width: 10 1/2" (269mm)
Mounting Width: 5 5/8" (142.5mm)	Mounting Height: 9 3/4" (247mm)

**Part No: 1002712150**



Speed: 1	Type: Puller
Voltage: 12V	Thickness: 2 3/4" (68.9mm)
Height: 12 1/4" (310mm)	Width: 11 9/16" (294mm)
Mounting Width: 6 1/8" (155mm)	Mounting Height: 10 9/16" (269mm)



800.499.6849 • shop.bergstrominc.com

2

**Booster Pumps**

**Booster Pump Specifications**

BLOWER MOTORS



Speed	Volt	Inlet	Outlet	Amps	Temperature Range	Elbow Degree	Replaces	Part No
2300 RPM	12V	1" inlet	1" outlet	8.0 amps max	-40°F - 185°F (-40°C - 85°C)	90°	-	<b>1001487641</b>
2300 RPM	12V	1" inlet	1" outlet	8.0 amps max	-40°F - 185°F (-40°C - 85°C)	90°	Assembled with hose, clamps and 90° nipple	<b>1001487640</b>
2300 RPM	12V	1" inlet	1" outlet	8.0 amps max	-40°F - 185°F (-40°C - 85°C)	90°	Assembled with hose, clamps and 90° nipple	<b>1001487649</b>
2300 RPM	12V	1" inlet	1" outlet	8.0 amps max	-40°F - 185°F (-40°C - 85°C)	90°	Assembled with hose, clamps and 90° nipple	<b>1001487648</b>
2300 RPM	12V	1" inlet	1" outlet	8.0 amps max	-40°F - 185°F (-40°C - 85°C)	Straight	-	<b>1001487655</b>
2300 RPM	12V	1" inlet	1" outlet	8.0 amps max	-40°F - 185°F (-40°C - 85°C)	Straight	-	<b>1001487642</b>
2300 RPM	12V	1" inlet	1" outlet	8.0 amps max	-40°F - 185°F (-40°C - 85°C)	90°	Assembled with hose, clamps and 90° nipple	<b>1001487644</b>
2300 RPM	24V	1" inlet	1" outlet	4.0 amps max	-40°F - 185°F (-40°C - 85°C)	Straight	-	<b>1001487643</b>
2300 RPM	12V	1" inlet	1" outlet	8.0 amps max	-40°F - 185°F (-40°C - 85°C)	60°	Assembled with hose, clamps and 60° nipple	<b>1001487645</b>
2300 RPM	12V	1" inlet	1" outlet	8.0 amps max	-40°F - 185°F (-40°C - 85°C)	90°	Assembled with hose, clamps and 90° nipple	<b>1001487646</b>
2300 RPM	12V	1" inlet	1" outlet	8.0 amps max	-40°F - 185°F (-40°C - 85°C)	90°	Assembled with hose, clamps and 90° nipple	<b>1001487647</b>
2300 RPM	12V	1" inlet	1" outlet	8.0 amps max	-40°F - 185°F (-40°C - 85°C)	90°	(optional) Assembled with hose, clamps and 90° nipple	<b>1001494889</b>
2300 RPM	12V	1" inlet	1" outlet	8.0 amps max	-40°F - 240°F (-40°C - 116°C)	Straight	-	<b>1001883505</b>
2300 RPM	12V	1" inlet	1" outlet	8.0 amps max	-40°F - 240°F (-40°C - 116°C)	Straight	-	<b>1002332305</b>
	12V	1" inlet	1" outlet		-40°F - 185°F (-40°C - 85°C)	Straight	-	<b>1001548259</b>

**Part No: 1001487640**

Speed: 2300 RPM	Elbow Degree: 90°
Voltage: 12V	Temperature Range: -40°F - 185°F (-40°C - 85°C)
Inlet: 1" inlet	Outlet: 1" outlet

General Specifications: Assembled with hose, clamps and 90° nipple

**Part No: 1001487641**

Speed: 2300 RPM	Elbow Degree: 90°
Voltage: 12V	Temperature Range: -40°F - 185°F (-40°C - 85°C)
Inlet: 1" inlet	Outlet: 1" outlet

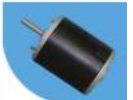
**Part No: 1001487642**

Speed: 2300 RPM	Elbow Degree: Straight
Voltage: 12V	Temperature Range: -40°F - 185°F (-40°C - 85°C)
Inlet: 1" inlet	Outlet: 1" outlet

## Booster Pumps

2

BLOWER MOTORS



**Part No: 1001487643**



Speed: 2300 RPM	Elbow Degree: Straight
Voltage: 24V	Temperature Range: -40°F - 185°F (-40°C - 85°C)
Inlet: 1" inlet	Outlet: 1" outlet

**Part No: 1001487644**



Speed: 2300 RPM	Elbow Degree: 90°
Voltage: 12V	Temperature Range: -40°F - 185°F (-40°C - 85°C)
Inlet: 1" inlet	Outlet: 1" outlet
General Specifications: Assembled with hose, clamps and 90° nipple	

**Part No: 1001487645**



Speed: 2300 RPM	Elbow Degree: 60°
Voltage: 12V	Temperature Range: -40°F - 240°F (-40°C - 116°C)
Inlet: 1" inlet	Outlet: 1" outlet
General Specifications: Assembled with hose, clamps and 60° nipple	

**Part No: 1001487646**



Speed: 2300 RPM	Elbow Degree: 90°
Voltage: 12V	Temperature Range: -40°F - 185°F (-40°C - 85°C)
Inlet: 1" inlet	Outlet: 1" outlet
General Specifications: Assembled with hose, clamps and 90° nipple	

**Part No: 1001487647**



Speed: 2300 RPM	Elbow Degree: 90°
Voltage: 12V	Temperature Range: -40°F - 185°F (-40°C - 85°C)
Inlet: 1" inlet	Outlet: 1" outlet
General Specifications: Assembled with hose, clamps and 90° nipple	

**Part No: 1001487648**



Speed: 2300 RPM	Elbow Degree: 90°
Voltage: 12V	Temperature Range: -40°F - 185°F (-40°C - 85°C)
Inlet: 1" inlet	Outlet: 1" outlet
General Specifications: Assembled with hose, clamps and 90° nipple	

**Part No: 1001487649**



Speed: 2300 RPM	Elbow Degree: 90°
Voltage: 12V	Temperature Range: -40°F - 185°F (-40°C - 85°C)
Inlet: 1" inlet	Outlet: 1" outlet
General Specifications: Assembled with hose, clamps and 90° nipple	

**Part No: 1001487655**



Speed: 2300 RPM	Elbow Degree: Straight
Voltage: 12V	Temperature Range: -40°F - 185°F (-40°C - 85°C)
Inlet: 1" inlet	Outlet: 1" outlet

**Part No: 1001494889**



Speed: 2300 RPM	Amps: 8.0 amp max
Voltage: 12V	Elbow Degree: 90°
Inlet: 1" inlet	Outlet: 1" outlet
General Specifications: (optional) Assembled with hose, clamps and 90° nipple	Temperature Range: -40°F - 185°F (-40°C - 85°C)



800.499.6849 • shop.bergstrominc.com

2

**Booster Pumps**

BLOWER MOTORS



<b>Part No: 1001548259</b>		<b>Part No: 1001883505</b>		<b>Part No: 1002332305</b>	
Voltage: 12V	Elbow Straight	Speed: 2300 RPM	Amps: 8.0 amp max	Speed: 2300 RPM	Amps: 8.0 amp max
Inlet: 1" inlet	Outlet: 1" outlet	Voltage: 12V	Elbow Straight	Voltage: 12V	Elbow Straight
Temperature Range: -40°F - 240°F (-40°C - 116°C)		Inlet: 1" inlet      Outlet: 1" outlet		Inlet: 1" inlet      Outlet: 1" outlet	
		Temperature Range: -40°F - 240°F (-40°C - 116°C)		Temperature Range: -40°F - 240°F (-40°C - 116°C)	

**Universal Booster Pump Cross Reference Chart**

Kysor Universal Pump	1099321	1099312
Kysor Old Cross Reference	1099073, 1099123, 1099068, 1099067, 1099071, 1099093, 1099102, 1099100, 1099301, 1099302, 1099306, 1099307, 1099309, 1099310, 1099300	1099099, 1099066, 1099115, 1099303, 1099304, 1099308
Kysor New Cross Reference	1099316, 1099318, 1099319, 1099322, 1099326, 1099328, 1099330	1099317, 1099325, 1099329
Navistar/IC Corp Old Cross Reference	2227279C92, 3858732C91, ZGG734000, 2503274C1, ZGG734001, ZGG734003, ZGG734004, 2227280C92	2227281C92, 1672003C91, ZGG734002
Navistar/IC Corp New Cross Reference	2614950C91, 3957323C91, 2614948C91, ZGG734006, ZGG734008, ZGG734009, 2614949C91	3957534C91, 2614947C91, ZGG734007
Paccar Old Cross Reference	RD10700, RD1065, RD1020, 868784BSM	RD1060
Paccar New Cross Reference	RD10701, RD10201, RD10801	RD10601
Bluebird Old Cross Reference	09017220, 01973981	02148849, 00007258
Bluebird New Cross Reference	10033362	10034148
Daimler Old Cross Reference	BSM 1000041264, BSM 868293, BSM 868242, BSM 868784, 22-58298-000, 22-61395-000, 22-60482-000	BSM 868192
Daimler New Cross Reference	BSM 1000368332, BSM 1000360349, BSM 1000368103, BSM 1000368105, BSM 1000368108, 22-71865-000	BSM 1000360348
Thomas Old Cross Reference	6123-0214, 6600-0784	6123-0211
Thomas New Cross Reference	n/a	181122
Volvo/Mack Old Cross Reference	BSM1000041264, BSM868242, BSM868784/7787-868784	BSM868192
Volvo/Mack New Cross Reference	BSM1000368332/7787-1000368332, 7787-1000368105	n/a
Gillig Old Cross Reference	82-24864-000, 53-29300-00	n/a
Gillig New Cross Reference	53-29300-000	n/a



Air Conditioning & Heating  
Replacement Parts



2

BLOWER WHEELS

# Blower Wheels

<b>Single Entry Wheels</b>	<b>126</b>
Single Entry Wheel Specifications	126
<b>Double Entry Blower Wheels</b>	<b>128</b>
Double Entry Wheel Specifications	128
<b>Blower Wheel Accessories</b>	<b>130</b>



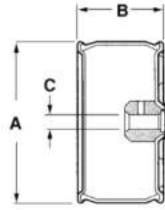
Call: 800.499.6849 for Technical Assistance

Availability of the products shown in this reference guide is subject to change without notice by Bergstrom, Inc.  
For the most current product information please visit the Bergstrom Distributor website at <https://shop.bergstrominc.com/>.

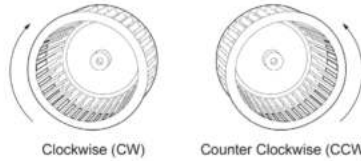
2

Single Entry Wheels

BLOWER WHEELS



Blower Wheel Rotation is determined by facing the hub:



Legend:

- A = Diameter
- B = Width
- C = Bore Diameter

Single Entry Wheel Specifications

Diameter (A)	Width (B)	Bore Diameter (C)	Rotation	Material	Part No
3 13/16" (96.8mm)	1 15/16" (49.2mm)	1/4" (6.4mm)	CW	Steel	515400
3 13/16" (96.8mm)	1 15/16" (49.2mm)	1/4" (6.4mm)	CCW	Steel	507700
4 3/4" (120.7mm)	2 7/8" (73mm)	5/16" (8mm)	CCW	Steel	B260030
4 3/4" (120.7mm)	2 7/8" (73mm)	5/16" (78mm)	CCW	Steel	B260031
4 3/4" (120.7mm)	3 5/16" (84.1mm)	5/16" (8mm)	CCW	Plastic	B260816
5" (127mm)	3 1/8" (79.3mm)	17/32" (13.6mm)	CW	Plastic	510011
5 1/4" (133.4mm)	2 15/16" (74.6mm)	5/16" (8mm)	CCW	Steel	B260640
5 1/4" (133.4mm)	3 7/16" (87.3mm)	5/16" (8mm)	CW	Steel	529800
5 1/4" (133.4mm)	3 3/8" (85.7mm)	5/16" (8mm)	CCW	Steel	B260720
5 11/16" (144.5mm)	3 1/8" (79.3mm)	5/16" (8mm)	CW	Steel	510035
5 3/4" (146mm)	3 1/4" (82.6mm)	5/16" (8mm)	CW	Steel	510061
5 3/4" (146mm)	2 3/4" (70mm)	5/16" (8mm)	CW	Plastic	510026
5 3/4" (146mm)	3" (76.2mm)	5/16" (8mm)	CCW	Plastic	510046
5 3/4" (146mm)	3 1/8" (79.3mm)	5/16" (8mm)	CCW	Aluminum	B260770
6 7/16" (163.5mm)	3" (76.2mm)	5/16" (8mm)	CCW	Plastic	510027

Part No: 507700



Rotation: CCW
Width: 1 15/16" (49.2mm)
Diameter: 3 13/16" (96.8mm)
Material: Steel
Bore Diameter: 1/4" (6.4mm)

Part No: 510011



Rotation: CW
Width: 3 1/8" (79.4mm)
Diameter: 5" (127mm)
Material: Plastic
Bore Diameter: 5/16" (8mm)
Hub Inset: 17/32" (13.6mm)

Part No: 510026



Rotation: CW
Width: 2 3/4" (69.9mm)
Diameter: 5 3/4" (146mm)
Material: Plastic
Bore Diameter: 5/16" (8mm)
Hub Inset: 1 51/64" (45.4mm)

## Single Entry Wheels

2

BLOWER WHEELS



**Part No: 510027**



Rotation: CCW  
 Width: 3" (76.2mm)  
 Diameter: 6 7/16" (163.5mm)  
 Material: Plastic  
 Bore Diameter: 5/16" (8mm)  
 Hub Inset: 1 13/32" (35.56mm)

**Part No: 510035**



Rotation: CW  
 Width: 3 1/8" (79.3mm)  
 Diameter: 5 11/16" (144.5mm)  
 Material: Steel  
 Bore Diameter: 5/16" (8mm)  
 Hub Inset: 7/8" (22.225mm)

**Part No: 510046**



Rotation: CCW  
 Width: 3" (76.2mm)  
 Diameter: 5 3/4" (146mm)  
 Material: Plastic  
 Bore Diameter: 5/16" (8mm)  
 Hub Inset: 1 13/16" (20.6375mm)

**Part No: 510061**



Rotation: CW  
 Width: 3 1/4" (82.6mm)  
 Diameter: 5 3/4" (146mm)  
 Material: Steel  
 Bore Diameter: 5/16" (8mm)

**Part No: 515400**



Rotation: CW  
 Width: 1 15/16" (49.2mm)  
 Diameter: 3 13/16" (96.8mm)  
 Material: Steel  
 Bore Diameter: 1/4" (6.4mm)

**Part No: 529800**



Rotation: CW  
 Width: 3 7/16" (87.3mm)  
 Diameter: 5 1/4" (133.4mm)  
 Material: Steel  
 Bore Diameter: 5/16" (8mm)  
 Hub Inset: 51/64" (20.3mm)

**Part No: B260030**



Rotation: CCW  
 Width: 2 7/8" (73mm)  
 Diameter: 4 3/4" (120.7mm)  
 Material: Steel  
 Bore Diameter: 5/16" (8mm)

**Part No: B260031**



Rotation: CCWCE  
 Width: 2 7/8" (73mm)  
 Diameter: 4 3/4" (120.7mm)  
 Material: Steel  
 Bore Diameter: 5/16" (8mm)

**Part No: B260640**



Rotation: CCW  
 Width: 2 15/16" (74.6mm)  
 Diameter: 5 1/4" (133.4mm)  
 Material: Steel  
 Bore Diameter: 5/16" (8mm)



800.499.6849 • [shop.bergstrominc.com](http://shop.bergstrominc.com)

2

## Double Entry Blower Wheels

BLOWER WHEELS



**Part No: B260720**



Rotation: CCW
Width: 3 3/8" (85.7mm)
Diameter: 5 1/4" (133.4mm)
Material: Steel
Bore Diameter: 5/16" (8mm)
Hub Inset: 31/64" (12.192mm)

**Part No: B260770**

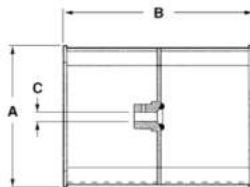


Rotation: CCW
Width: 3 1/8" (79.3mm)
Diameter: 5 3/4" (146mm)
Material: Aluminum
Bore Diameter: 5/16" (8mm)
Hub Inset: 1 5/8" (41.148mm)

**Part No: B260816**



Rotation: CCW
Width: 3 5/16" (84.1mm)
Diameter: 4 3/4" (120.7mm)
Material: Plastic
Bore Diameter: 5/16" (8mm)



Blower Wheel Rotation is determined by facing the hub:



**Legend:**

- A = Wheel Diameter
- B = Width
- C = Bore Diameter

### Double Entry Wheel Specifications

Diameter (A)	Width (B)	Bore Diameter (C)	Rotation	Material	Bore Diameter	Part No
1 9/16" (39.6mm)	3 3/4" (95.3mm)	5/16" (8mm)	CW/CCW	Plastic	5/16" (8mm)	<b>B360867</b>
3 3/16" (81mm)	3 13/16" (96.8mm)	5/16" (8mm)	CW/CCW	Plastic	5/16" (8mm)	<b>B260680</b>
4 1/2" (114.3mm)	2 1/8" (54mm)	5/16" (8mm)	CW	Steel	5/16" (8mm)	<b>B260170</b>
4 1/2" (114.3mm)	2 1/8" (54mm)	5/16" (8mm)	CCW	Steel	5/16" (8mm)	<b>B260171</b>
4 9/16" (115.8mm)	3 7/16" (87.3mm)	5/16" (8mm)	CW/CCW	Plastic	5/16" (8mm)	<b>589540</b>
5 5/16" (135mm)	3 1/4" (82.6mm)	5/16" (8mm)	CW/CCW	Plastic	5/16" (8mm)	<b>B360917</b>
5 1/2" (139.7mm)	1 1/2" (38.1mm)	5/16" (8mm)	CW	Steel	5/16" (8mm)	<b>B260570</b>
5 9/16" (141.3mm)	5 5/8" (143mm)	5/16" (8mm)	CCW	Steel	5/16" (8mm)	<b>510014</b>
5 5/8" (143mm)	3 1/2" (88.9mm)	5/16" (8mm)	CCW	Plastic	5/16" (8mm)	<b>563500</b>



## Double Entry Blower Wheels

2

BLOWER WHEELS



**Part No: 510014**



Rotation: CCW  
 Width: 5 5/8" (143mm)  
 Diameter: 5 9/16" (141.3mm)  
 Material: Steel  
 Bore Diameter: 5/16" (8mm)

**Part No: 563500**



Rotation: CCW  
 Width: 3 1/2" (88.9mm)  
 Diameter: 5 5/8" (143mm)  
 Material: Plastic  
 Bore Diameter: 5/16" (8mm)  
 Hub Inset: 1/2" (12.5mm)

**Part No: 589540**



Rotation: CW/CCW  
 Width: 3 7/16" (87.3mm)  
 Diameter: 4 9/16" (115.8mm)  
 Material: Plastic  
 Bore Diameter: 5/16" (8mm)

**Part No: B260170**



Rotation: CW  
 Width: 2 1/8" (54mm)  
 Diameter: 4 1/2" (114.3mm)  
 Material: Steel  
 Bore Diameter: 5/16" (8mm)  
 Hub Inset: 27/64" (10.668mm)

**Part No: B260171**



Rotation: CCW  
 Width: 2 1/8" (54mm)  
 Diameter: 4 1/2" (114.3mm)  
 Material: Steel  
 Bore Diameter: 5/16" (8mm)  
 Hub Inset: 27/64" (10.668mm)

**Part No: B260570**



Rotation: CW  
 Width: 1 1/2" (38.1mm)  
 Diameter: 5 1/2" (139.7mm)  
 Material: Steel  
 Bore Diameter: 5/16" (8mm)  
 Hub Inset: 7/16" (11.176mm)

**Part No: B260680**



Rotation: CW/CCW  
 Width: 3 13/16" (96.8mm)  
 Diameter: 3 3/16" (81mm)  
 Material: Plastic  
 Bore Diameter: 5/16" (8mm)

**Part No: B360867**



Rotation: CW/CCW  
 Width: 3 3/4" (95.3mm)  
 Diameter: 1 9/16" (39.6mm)  
 Material: Plastic  
 Bore Diameter: 5/16" (8mm)

**Part No: B360917**



Rotation: CW/CCW  
 Width: 3 1/4" (82.6mm)  
 Diameter: 5 5/16" (135mm)  
 Material: Plastic  
 Bore Diameter: 5/16" (8mm)



800.499.6849 • [shop.bergstrominc.com](http://shop.bergstrominc.com)

2

## Blower Wheel Accessories

BLOWER WHEELS



Part No: 630084

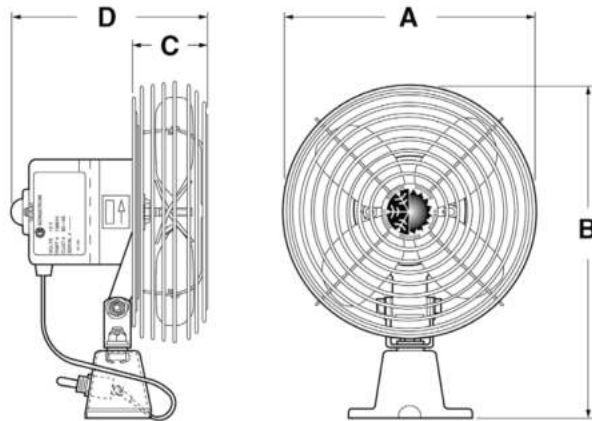


Blower Wheel Clip (must order in increments of 25)



2

Defrost Fans



Legend:

- A = Diameter
- B = Height
- C = Fan Guard Width
- D = Width
- B1 = Plate
- N1 = No Base
- S1 = Swivel Base (1)
- S2 = Swivel Base (2)
- S3 = Swivel BAse (3)
- U1 = U-Joint (1)
- U2 = U-Joint (2)

DEFROST FANS



Defrost Fan Specifications

Diameter (A)	Height (B)	Fan Guard Width (C)	Width (D)	Speed	Voltage	Switch Function	Color	No. of Blades	Base	Amp Draw	Part No
6 1/4" (158.8mm)	9 1/2" (241.3mm)	2 1/16" (52mm)	5 7/16" (138mm)	2	12	None	Black	4	S1	4 amp max (high), 2 amp max (low)	1000326620
7 11/32" (185.5mm)	9 25/32" (248.4mm)		5 15/32" (138.7mm)	2	24	-	-	4	-	-	1003020546
7 5/16" (186.5mm)	9 9/16" (242.9mm)	2 3/16" (56mm)	5" (127mm)	2	12	On (Low) - Off - On (High)	Chrome	4	U2	3.6 amp max (high), 2.2 amp max (low)	1000641228
7 7/16" (188.9mm)	8 3/4" (222.3mm)	2 3/16" (55.6mm)	5" (127mm)	2	12	On (Low) - Off - On (High)	Chrome	4	S3	2.5 amp max	1000202059
7 7/16" (188.9mm)	9 5/8" (244.5mm)	2 1/4" (56mm)	5" (127mm)	2	12	None	Chrome	4	U2	4 amp max (high), 2 amp max (low)	869350
7 7/16" (188.9mm)	8 3/4" (222.3mm)	2 3/16" (55.6mm)	5" (127mm)	2	12	On (Low) - Off - On (High)	Black	4	S3	-	869352
7 7/16" (188.9mm)	8 3/4" (222.3mm)	2 3/16" (55.6mm)	5" (127mm)	2	24	On (Low) - Off - On (High)	Black	4	S3	-	869852
7 7/16" (188.9mm)	9 9/16" (242.9mm)	2 1/8" (54.5mm)	4 15/16" (127mm)	2	24	On (Low) - Off - On (High)	Chrome	4	U2	2.1 amp max (high), 1.3 amp max (low)	756020C
7 7/16" (188.9mm)	9 5/8" (244.5mm)	2 1/4" (56mm)	5" (127mm)	2	12	On (Low) - Off - On (High)	Chrome	4	U2	4 amp max (high), 2 amp max (low)	756360C
7 7/16" (188.9mm)	9 3/4" (247.7mm)	2 1/4" (55.95mm)	5 9/16" (144mm)	1	12	None	Black	4	U2	3 amp max (high), 2 amp max (low)	756720C
7 7/16" (188.9mm)	7 9/16" (192.9mm)	2" (50.8mm)	5 7/16" (138mm)	2	12	None	Black	4	N1	2.5 amp max	1000202057
7 7/16" (188.9mm)	9 3/4" (247.7mm)	2" (50.8mm)	5 1/2" (139mm)	2	12	On (Low) - Off - On (High)	Black	4	S1	4 amp max (high), 2 amp max (low)	756702
7 7/16" (188.9mm)	9 5/8" (244.5mm)	2 1/4" (56mm)	5" (127mm)	2	12	None	Black	5	U2	3.6 amp max (high), 2.2 amp max (low)	756698
7 7/16" (188.9mm)	9 5/8" (244.5mm)	2" (50.8mm)	5 1/4" (133mm)	2	12	None	Black	4	U2	2.5 amp max	1000202056
7 7/16" (188.9mm)	7 7/16" (188.9mm)	2" (50.8mm)	5 1/4" (133mm)	2	12	None	Chrome	4	N1	2.5 amp max	1000202058
7 7/16" (188.8mm)	9 9/16" (242.9mm)	2" (50.8mm)	5 1/2" (139mm)	2	24	None	Black	4	S2	2 amp max (high), 1 amp max (low)	756703

## Defrost Fans

2

### Defrost Fan Specifications

Diameter (A)	Height (B)	Fan Guard Width (C)	Width (D)	Speed	Voltage	Switch Function	Color	No. of Blades	Base	Amp Draw	Part No
7 1/2" (190.5mm)	9 7/8" (251mm)	2 3/16" (56mm)	5" (127mm)	2	12	None	Chrome	4	U2	3.6 amp max (high), 2.2 amp max (low)	756600
7 1/2" (190.5mm)	11 1/4" (286mm)	2 1/4" (57.2mm)	5" (127mm)	2	12	None	Chrome w/Black Base	4	B1	3.6 amp max (high), 2.2 amp max (low)	756610C
7 1/2" (190.5mm)	8 5/8" (219.2mm)	2 3/16" (55.4mm)	5 1/4" (133mm)	2	12	None	Chrome w/Black Base	4	S2	2.3 amp max (high), 1 amp max (low)	756737
7 1/2" (190.5mm)	8 3/4" (222.3mm)	2" (50.8mm)	5" (127mm)	2	12	None	Chrome w/Black Base	4	S3	2.1 amp max (high), 1.3 amp max (low)	1000208583
7 1/2" (190.5mm)	9 17/32" (242mm)	1 21/32" (50mm)	5 7/16" (138mm)	2	12	None	Black	4	U2	3 amp max (high), 2 amp max (low)	1000208584
7 1/2" (189.5mm)	9 5/8" (244.5mm)	2 3/16" (55.4mm)	5" (127mm)	2	24	None	Black	5	U2	2.1 amp max (high), 1.3 amp max (low)	756713
7 9/16" (192mm)	7 9/16" (192mm)	2 1/16" (52mm)	5 9/16" (140mm)	2	12	None	Black	4	U2	3.6 amp max (high), 2.2 amp max (low)	1000081604
7 5/8" (194.4mm)	7 5/8" (194.4mm)	2 3/16" (55.9mm)	5" (127mm)	2	12	None	Black	4	N1	3.6 amp max (high), 2.2 amp max (low)	756735C

DEFROST FANS



**Part No: 756020C**



Speed: 2	Width: 4 9/16" (124.5mm)
Voltage: 24V	Diameter: 7 7/16" (188.9mm)
Height: 9 9/16" (242.9mm)	Switch: Switch
Cage Material: Metal	Cage Color: Chrome
Base: U Joint (U2)	No. of Blades: 4
Fan Guard: 2 1/8" (54.5mm)	Switch Function: On (Low) - Off - On (High)
Amp Draw: 2.1 amp max (high), 1.3 amp max (low)	

**Part No: 756360C**



Speed: 2	Width: 5" (127mm)
Voltage: 12V	Diameter: 7 7/16" (188.9mm)
Height: 9 5/8" (244.5mm)	Switch: Switch
Cage Material: Metal	Cage Color: Chrome
Base: U Joint (U2)	Motor Leads: 16"
Fan Guard: 2 1/4" (56mm)	No. of Blades: 4
Amp Draw: 4 amp max (high), 2 amp max (low)	Switch Function: On (Low) - Off - On (High)

**Part No: 756600**



Speed: 2	Width: 5" (127mm)
Voltage: 12V	Diameter: 7 1/2" (190.5mm)
Height: 9 7/8" (251mm)	Switch: None
Cage Material: Metal	Cage Color: Chrome
Base: U Joint (U2)	Motor Leads: 12"
Fan Guard: 2 3/16" (56mm)	No. of Blades: 4
Amp Draw: 3.6 amp max (high), 2.2 amp max (low)	Switch Function: None

2

Defrost Fans

DEFROST FANS



**Part No: 756610C**




Speed: 2	Width: 5" (127mm)
Voltage: 12V	Diameter: 7 1/2" (190.5mm)
Height: 11 1/4" (286mm)	Switch: None
Cage Material: Metal	Cage Color: Chrome w/ Black Base
Base: Base (B1)	Motor Leads: 8 1/2"
Fan Guard: 2 1/4" (57.2mm)	No. of Blades: 4
Amp Draw: 3.6 amp max (high), 2.2 amp max (low)	Switch Function: None

**Part No: 756698**



Speed: 2	Width: 5" (127mm)
Voltage: 12V	Diameter: 7 7/16" (188.9mm)
Height: 9 5/8" (244.5mm)	Switch: None
Cage Material: Metal	Cage Color: Black
Base: U Joint (U2)	No. of Blades: 5
Fan Guard: 2 1/4" (56mm)	Switch Function: None
Amp Draw: 3.6 amp max (high), 2.2 amp max (low)	

**Part No: 756702**




Speed: 2	Width: 5 1/2" (139mm)
Voltage: 12V	Diameter: 7 7/16" (188.9mm)
Height: 9 3/4" (247.7mm)	Switch: Switch
Cage Material: Metal	Cage Color: Black
Base: Swivel Ball (S2)	Motor Leads: 12"
Fan Guard: 2" (50.8mm)	No. of Blades: 4
Amp Draw: 4 amp max (high), 2 amp max (low)	Switch Function: On (Low) - Off - On (High)

**Part No: 756703**




Speed: 2	Width: 5 1/2" (139mm)
Voltage: 24V	Diameter: 7 7/16" (188.9mm)
Height: 9 9/16" (242.9mm)	Cage Color: Black
Cage Material: Metal	No. of Blades: 4
Base: Swivel Ball (S2)	Switch Function: On (Low) - Off - On (High)
Fan Guard: 2" (50.8mm)	Amp Draw: 2 amp max (high), 1 amp max (low)

**Part No: 756713**



Speed: 2	Width: 5" (127mm)
Voltage: 24V	Diameter: 7 1/2" (189.5mm)
Height: 9 5/8" (244.5mm)	Switch: None
Cage Material: Metal	Cage Color: Black
Base: U Joint (U2)	Motor Leads: 10"
Fan Guard: 2 3/16" (55.4mm)	No. of Blades: 5
Amp Draw: 2.1 amp max (high), 1.3 amp max (low)	Switch Function: None

**Part No: 756720C**



Speed: 1	Width: 5 9/16" (144mm)
Voltage: 12V	Diameter: 7 7/16" (188.9mm)
Height: 9 3/4" (247.7mm)	Switch: None
Cage Material: Metal	Cage Color: Black
Base: U Joint (U2)	Motor Leads: 12"
Fan Guard: 2 1/4" (55.95mm)	No. of Blades: 4
Amp Draw: 3 amp max (high), 2 amp max (low)	Switch Function: None

**Part No: 756735C**



Speed: 2	Width: 5" (127mm)
Voltage: 12V	Diameter: 7 5/8" (194.4mm)
Height: 7 5/8" (194.4mm)	Switch: None
Cage Material: Metal	Cage Color: Black
Base: No Base (N1)	No. of Blades: 4
Fan Guard: 2 3/16" (55.9mm)	Switch Function: None
Amp Draw: 3.6 amp max (high), 2.2 amp max (low)	

**Part No: 756737**



Speed: 2	Width: 5 1/4" (133mm)
Voltage: 12V	Diameter: 7 1/2" (190.5mm)
Height: 8 5/8" (219.2mm)	Switch: None
Cage Material: Metal	Cage Color: Chrome w/ Black Base
Base: Swivel Ball (S2)	No. of Blades: 4
Fan Guard: 2 3/16" (55.4mm)	Switch Function: None
Amp Draw: 2.3 amp max (high), 1 amp max (low)	CFM: 210 (high), 115 (low)

**Part No: 869350**



Speed: 2	Width: 5" (127mm)
Voltage: 12V	Diameter: 7 7/16" (188.9mm)
Height: 9 5/8" (244.5mm)	Switch: Switch
Cage Material: Metal	Cage Color: Chrome
Base: U Joint (U2)	Motor Leads: 16"
Fan Guard: 2 1/4" (56mm)	No. of Blades: 4
Amp Draw: 4 amp max (high), 2 amp max (low)	Switch Function: None

## Defrost Fans

2

DEFROST FANS



**Part No: 869352**



Speed: 2	Width: 5" (127mm)
Voltage: 12V	Diameter: 7 7/16" (188.9mm)
Height: 8 3/4" (222.3mm)	Switch: Switch
Cage Material: Metal	Cage Color: Black
Base: Swivel Ball (S3)	Motor Leads: 12"
Fan Guard: 2 3/16" (55.6mm)	No. of Blades: 4
Switch Function: On (Low) - Off - On (High)	

**Part No: 869852**



Speed: 2	Width: 5" (127mm)
Voltage: 24V	Diameter: 7 7/16" (188.9mm)
Height: 8 3/4" (222.3mm)	Switch: Switch
Cage Material: Metal	Cage Color: Black
Base: Swivel Ball (S#)	Motor Leads: 12"
Fan Guard: 2 3/16" (55.6mm)	No. of Blades: 4
Switch Function: On (Low) - Off - On (High)	

**Part No: 1000081604**



Speed: 2	Width: 5 9/16" (140mm)
Voltage: 12V	Diameter: 7 9/16" (192mm)
Height: 7 9/16" (192mm)	Switch: None
Cage Material: Metal	Cage Color: Black
Base: U Joint (U2)	Motor Leads: 6"
Fan Guard: 2 1/16" (52mm)	No. of Blades: 4
Amp Draw: 3.6 amp max (high), 2.2 amp max (low)	
Switch Function: None	

**Part No: 1000202056**



Speed: 2	Width: 5 1/4" (133mm)
Voltage: 12V	Diameter: 7 7/16" (188.9mm)
Height: 9 5/8" (244.5mm)	Switch: None
Cage Material: Metal	Cage Color: Black
Base: U Joint (U2)	No. of Blades: 4
Fan Guard: 2" (50.8mm)	Switch Function: None
Amp Draw: 2.5 amp max	

**Part No: 1000202057**



Speed: 2	Width: 5 7/16" (138mm)
Voltage: 12V	Diameter: 7 7/16" (188.9mm)
Height: 7 9/16" (192.9mm)	Switch: None
Cage Material: Metal	Cage Color: Black
Base: No Base (N1)	Motor Leads: 12"
Fan Guard: 2" (50.8mm)	No. of Blades: 4
Amp Draw: 2.5 amp max	
Switch Function: None	

**Part No: 1000202058**



Speed: 2	Width: 5 1/4" (133mm)
Voltage: 12V	Diameter: 7 7/16" (188.9mm)
Height: 7 7/16" (189mm)	Switch: None
Cage Material: Metal	Cage Color: Chrome
Base: No Base (N1)	No. of Blades: 4
Fan Guard: 2" (50.8mm)	Switch Function: None
Amp Draw: 2.5 amp max	

**Part No: 1000202059**



Speed: 2	Width: 5" (127mm)
Voltage: 12V	Diameter: 7 7/16" (188.9mm)
Height: 8 3/4" (222.3mm)	Switch: Switch
Cage Material: Metal	Cage Color: Chrome
Base: Swivel Ball (S3)	Motor Leads: 10"
Fan Guard: 2 3/16" (55.6mm)	No. of Blades: 4
Amp Draw: 2.5 amp max	
Switch Function: On (Low) - Off - On (High)	

**Part No: 1000208583**



Speed: 2	Width: 5" (127mm)
Voltage: 12V	Diameter: 7 1/2" (190.5mm)
Height: 8 3/4" (222.3mm)	Switch: None
Cage Material: Metal	Cage Color: Chrome w/ Black Base
Base: Swivel Ball (S3)	No. of Blades: 4
Fan Guard: 2" (50.8mm)	Switch Function: None
Amp Draw: 2.1 amp max (high), 1.3 amp max (low)	

**Part No: 1000208584**



Speed: 2	Width: 5 7/16" (138mm)
Voltage: 12V	Diameter: 7 1/2" (190.5mm)
Height: 9 17/32" (242mm)	Switch: None
Cage Material: Metal	Cage Color: Black
Fan Guard: 1 21/32" (50mm)	No. of Blades: 4
Base: U Joint (U2)	Switch Function: None
Amp Draw: 3 amp max (high), 2 amp max (low)	

2

Defrost Fans

DEFROST FANS



**Part No: 1000326620**



Speed: 2	Width: 5 7/16" (138mm)
Voltage: 12V	Diameter: 6 1/4" (158.8mm)
Height: 9 1/2" (241.3mm)	Cage Color: Black
Cage Material: Metal	No. of Blades: 4
Base: Swivel Ball (S1)	Fan Guard: 2 1/16" (52mm)
Amp Draw: 4 amp max (high), 2 amp max (low)	

**Part No: 1000641228**



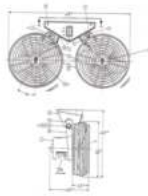
Speed: 2	Width: 5" (127mm)
Voltage: 12V	Diameter: 7 5/16" (186.5mm)
Height: 9 9/16" (242.9mm)	Switch: Switch
Cage Material: Metal	Cage Color: Chrome
Base: U Joint (U2)	Motor Leads: 12"
Fan Guard: 2 3/16" (56mm)	No. of Blades: 4
Amp Draw: 3.6 amp max (high), 2.2 amp max (low)	
Switch Function: On (Low) - Off - On (High)	

**Part No: 1003020546**



Speed: 2	Width: 5 15/32" (138.7mm)
Voltage: 24V	Diameter: 7 11/32" (185.5mm)
Height: 9 25/32" (248.4mm)	Switch: Switch
No. of Blades: 4	Motor Leads: 5"

**Part No: 756110**



Fan Dual 12V K2-1467 K338-47



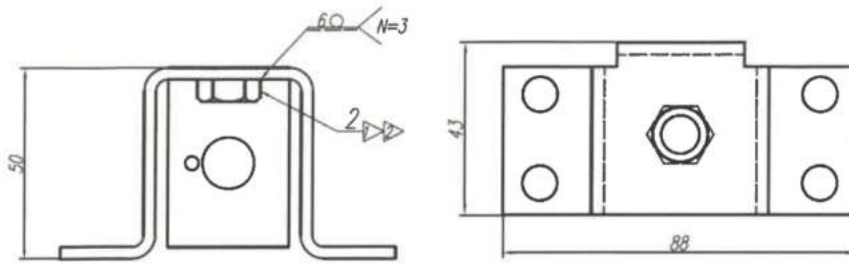
# Defrost Fans

2

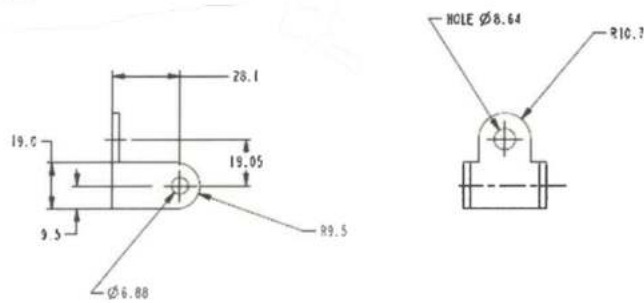
DEFROST FANS



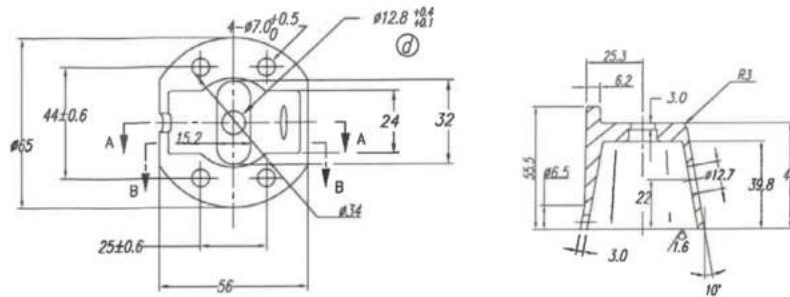
### B1 Base



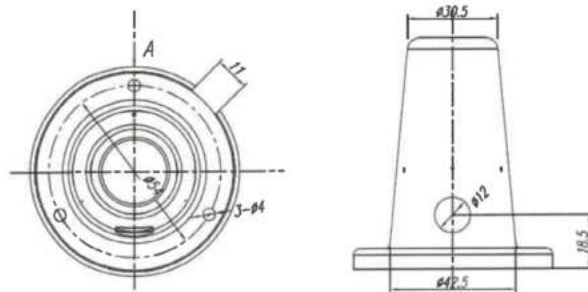
### N1 Base



### S1 Base



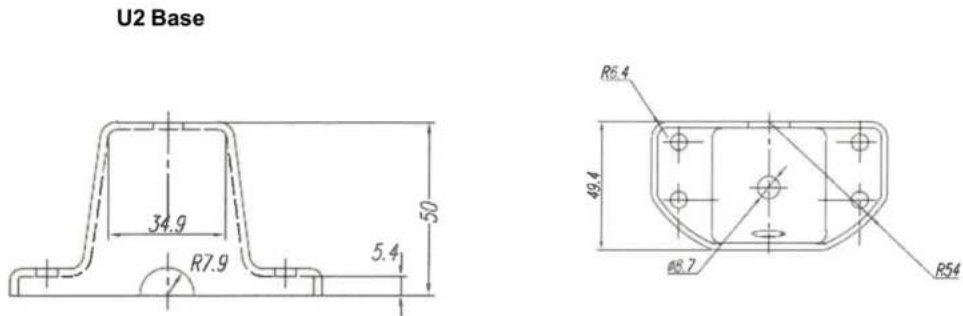
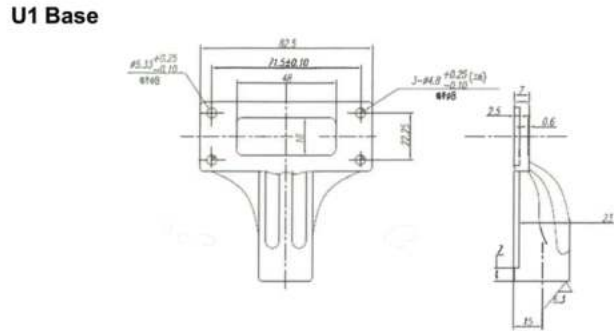
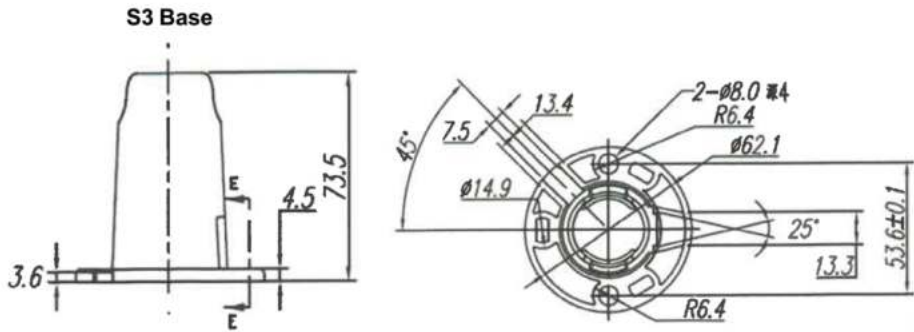
### S2 Base



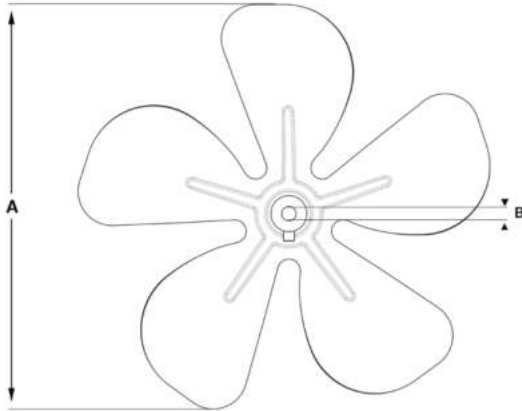
# 2

## Defrost Fans

DEFROST FANS



# Fan Blades



**Legend:**

- A = Fan Blade Diameter
- B = Bore Diameter
- CW = Clockwise
- CCW = Counter Clockwise

## Fan Blade Specifications

Fan Blade Diameter (A)	Bore Diameter (B)	Material	Number of Blades	Blade Width	Rotation	Part No
5" (127mm)	1/4" (6.4mm)	Aluminum	4	1 1/4" (31.8mm)	CCW	510119
5 1/2" (139.7mm)	1/4" (6.4mm)	Aluminum	4	1 1/16" (26.3mm)	CCW	B265620
6 1/2" (165.1mm)	1/4" (6.4mm)	Aluminum	4	1" (25.4mm)	CW	508300
6 1/2" (165.1mm)	1/4" (6.4mm)	Aluminum	5	1 3/16" (30.2mm)	CW	540700
6 1/2" (165.1mm)	1/4" (6.4mm)	Aluminum	4	3/4" (19mm)	CW	581520
7" (177.8mm)	1/4" (6.4mm)	Aluminum	5	1 1/8" (28mm)	CW	1000943151
7" (177.8mm)	1/4" (6.4mm)	Aluminum	5	1 1/16" (26.3mm)	CW	500170
7" (177.8mm)	1/4" (6.4mm)	Aluminum	5	3/4" (19mm)	CW	587380
7" (177.8mm)	5/16" (8mm)	Aluminum	5	1 9/16" (39.6mm)	CW	1001142371
8" (203.2mm)	5/16" (8mm)	Aluminum	5	1 1/8" (28mm)	CCW	1001220529
8 3/4" (222.2mm)	5/16" (8mm)	Aluminum	5	1 1/4" (31.8mm)	CW	575080
9" (228.6mm)	5/16" (8mm)	Aluminum	4	2 9/16" (65mm)	CW	B265330
10" (254mm)	5/16" (8mm)	Aluminum	5	1" (25.4mm)	CW	572980
10 1/32" (255mm)	5/16" (8mm)	Aluminum	4	2" (50.8mm)	CW	B265600
8 1/16" (205mm)	5/16" (8mm)	Aluminum	5	2" (50.8mm)	CW	B265605

**Part No: 500170**

Rotation: CW	Diameter: 7" (177.8mm)
Bore Diameter: 1/4" (6.4mm)	No. of Blades: 5
Material: Aluminum	Blade Width: 1 1/16" (26.3mm)

**Part No: 508300**

Rotation: CW	Diameter: 6 1/2" (165.1mm)
Bore Diameter: 1/4" (6.4mm)	No. of Blades: 4
Material: Aluminum	Blade Width: 1" (25.4mm)

**Part No: 510119**

Rotation: CCW	Diameter: 5" (127mm)
Bore Diameter: 1/4" (6.4mm)	No. of Blades: 4
Material: Aluminum	Blade Width: 1 1/4" (31.8mm)

2

Fan Blades

DEFROST FANS



**Part No: 540700**



Rotation: CW	Diameter: 6 1/2" (165.1mm)
Bore Diameter: 1/4" (6.4mm)	No. of Blades: 5
Material: Plastic	Blade Width: 1 3/16" (30.2mm)

**Part No: 572980**



Rotation: CW	Diameter: 10" (254mm)
Bore Diameter: 5/16" (8mm)	No. of Blades: 5
Material: Aluminum	Blade Width: 1" (25.4mm)

**Part No: 575080**



Rotation: CW	Diameter: 8 3/4" (222.2mm)
Bore Diameter: 5/16" (8mm)	No. of Blades: 5
Material: Aluminum	Blade Width: 1 1/4" (31.8mm)

**Part No: 581520**



Rotation: CW	Diameter: 6 1/2" (165.1mm)
Bore Diameter: 1/4" (6.4mm)	No. of Blades: 4
Material: Aluminum	Blade Width: 3/4" (19mm)

**Part No: 587380**



Rotation: CW	Diameter: 7" (177.8mm)
Bore Diameter: 1/4" (6.4mm)	No. of Blades: 5
Material: Aluminum	Blade Width: 3/4" (19mm)

**Part No: 1000943151**



Rotation: CW	Diameter: 7" (177.8mm)
Bore Diameter: 1/4" (6.4mm)	No. of Blades: 5
Material: Aluminum	Blade Width: 1 1/8" (28mm)

**Part No: 1001142371**



Rotation: CW	Diameter: 7" (177.8mm)
Blade Pitch: 40°	No. of Blades: 5
Bore Diameter: 5/16" (8mm)	Blade Width: 1 9/16" (39.6mm)
Material: Aluminum	

**Part No: 1001220529**



Rotation: CCW	Diameter: 8" (203.2mm)
Blade Pitch: 22°	No. of Blades: 5
Bore Diameter: 5/16" (8mm)	Blade Width: 1 1/8" (28mm)
Material: Aluminum	

**Part No: B265330**



Rotation: CW	Diameter: 9" (228.6mm)
Bore Diameter: 5/16" (8mm)	No. of Blades: 4
Material: Aluminum	Blade Width: 2 9/16" (65mm)

**Part No: B265600**



Rotation: CW	Diameter: 10 1/32" (255mm)
Bore Diameter: 5/16" (8mm)	No. of Blades: 4
Material: Aluminum	Blade Width: 2" (50.4mm)

**Part No: B265605**



Rotation: CW	Diameter: 8 1/16" (205mm)
Bore Diameter: 5/16" (8mm)	No. of Blades: 5
Material: Aluminum	Blade Width: 2" (50.4mm)

**Part No: B265620**



Rotation: CCW	Diameter: 5 1/2" (139.7mm)
Bore Diameter: 1/4" (6.4mm)	No. of Blades: 4
Material: Aluminum	Blade Width: 1 1/16" (26.3mm)



*Air Conditioning & Heating  
Replacement Parts*

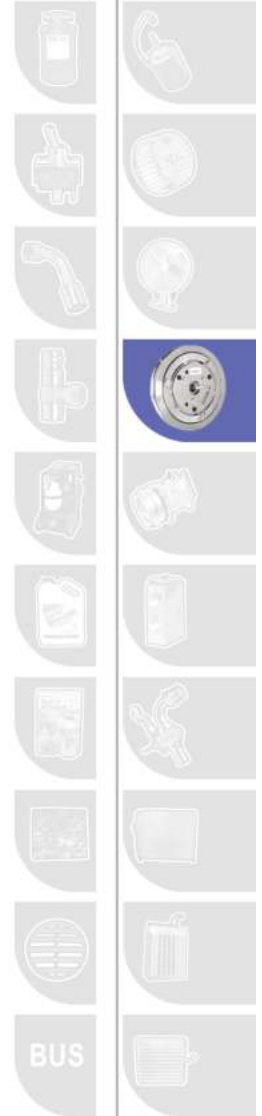


2

CLUTCHES

# Clutches

<b>Single Groove Clutches</b>	<b>142</b>
Single Groove Specifications	142
<b>Double Groove Clutches</b>	<b>143</b>
Double Groove Specifications	143
Multi-Groove Specifications	143
<b>Multi-Groove Clutches</b>	<b>143</b>
<b>Service Tips</b>	<b>144</b>

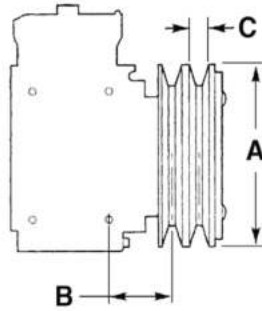


Call: 800.499.6849 for Technical Assistance

Availability of the products shown in this reference guide is subject to change without notice by Bergstrom, Inc.  
For the most current product information please visit the Bergstrom Distributor website at <https://shop.bergstrominc.com/>.

2

## Single Groove Clutches



**Legend:**

- A = Diameter
- B = Gauge Line
- C = Groove Width

### Single Groove Specifications

Diameter (A)	Gauge Line (B)	Groove Width (C)	Voltage	Type	OEM No.	Part No
<b>Blissfield/Tecumseh/T/CCI</b>						
<b>12V</b>						
6" (152.4mm)	2 3/4" (69.9mm)	17/32" (13.3mm)	12	Blissfield/Tecumseh/T/CCI	502409	<b>650487</b>
6 5/16" (160.3mm)	2 23/32" (69.1mm)	19/32" (15.1mm)	12	Blissfield/Tecumseh/T/CCI	515528	<b>650547</b>

CLUTCHES



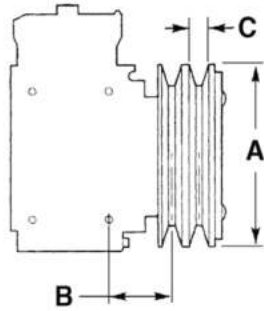
**Part No: 650547**

Voltage: 12V
Diameter: 6 5/16" (160.3mm)
Groove Width: 19/32" (15.1mm)
Gauge Line: 2 23/32" (69.1mm)
No. of Grooves: 1
Type: Blissfield/Tecumseh/CCI, 515528

**Part No: 650487**

Voltage: 12V
Diameter: 6" (152.4mm)
Groove Width: 17/32" (13.3mm)
Gauge Line: 2 3/4" (69.9mm)
No. of Grooves: 1
Type: Blissfield/Tecumseh/CCI, 502409

# Multi-Groove Clutches



**Legend:**  
 A = Diameter  
 B = Gauge Line  
 C = Groove Width

## Double Groove Specifications

Diameter (A)	Gauge Line (B)	Groove Width (C)	Voltage	Type	OEM No.	Part No
<b>Blissfield/Tecumseh/T/CCI</b>						
<b>12V</b>						
6" (152.4mm)	1 21/32" (41.9mm)	1/2" (12.7mm)	12	Blissfield/Tecumseh/T/CCI	501939	<b>1000139242</b>

## Multi-Groove Specifications

A (Diameter)	B (Gauge Line)	C (Groove Width)	Voltage	No. of Grooves	Type	OEM No.	Part No
<b>Blissfield/Tecumseh/T/CCI</b>							
<b>12V</b>							
5 13/16" (147.6mm)	1 15/16" (49.2mm)	9/64" (3.6mm)	12	8	Blissfield/Tecumseh/T/CCI	522584	<b>1000139299</b>

**Part No: 1000139242**



Voltage: 12V
Diameter: 6" (152.4mm)
Groove Width: 1/2" (12.7mm)
Gauge Line: 1 21/32" (41.9mm)
No. of Grooves: 2
Type: Blissfield/Tecumseh/CCI, 501939

**Part No: 1000139299**



Voltage: 12V
Diameter: 5 13/16" (147.6mm)
Groove Width: 9/64" (3.6mm)
Gauge Line: 1 15/16" (49.2mm)
No. of Grooves: 8
Type: Blissfield/Tecumseh/CCI, 522584

CLUTCHES



2

# Service Tips

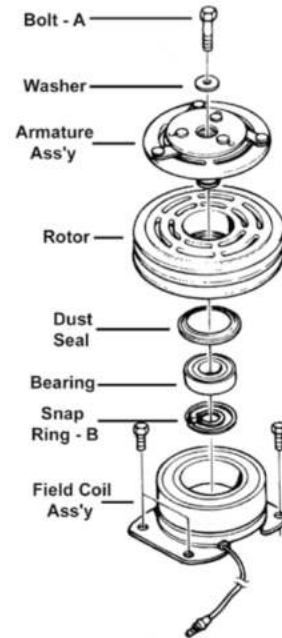
## Service Tips

*The clutch is designed to turn the compressor on and off. This is achieved by controlling the voltage to an electromagnetic coil that engages or disengages depending on the demand of the evaporator thermostat.*

CLUTCHES



Clutch Service Tips	
<b>Verify Clutch Engagement</b>	With the engine running and the A/C on full, verify the clutch is engaging/disengaging.
	With a jumper wire hooked up from a reliable power source, the clutch plate should engage. If not, the plate is defective.
<b>Field Coil</b>	Open circuit in field coil will show during resistance check.
<b>Pulley &amp; Belt</b>	The pulley and belt should be aligned and free of any noise or slippage
<b>Rotor</b>	The rotor should be free of any signs indicating rubbing on the field coil outer diameter.







Air Conditioning & Heating  
Replacement Parts



# Compressors

**Sanden to Kysor Interchange 146**

**Sanden Style Compressors 148**

- R-134a Compressor Specifications 148
- R-134a Compressors - OEM Version 155
- R-134a Compressors - Aftermarket Version 164
- Head Types 168
- Sanden Clutch Variations 169
- Sanden R-134a Model Specifications 170
- Manufacturing Date Codes 170
- Assembly Mounting Angles 170
- Compressor Nomenclature 170
- Label Configuration 170
- R-12 to R-134a Model Conversions 171
- Belt Tension 171
- Speed Rating 171
- R-12 to R-134a Conversion Procedure 171
- Compressor Troubleshooting 172
- FLX 7 R-134a Replacement Matrix 174
- Sanden Flx 7 Replacement Adapter Fittings 175

**Denso Compressors 176**

- R-134a Compressor Specifications - Denso 176
- R-134a Compressors - OEM Version 176
- R-134a Compressors - Aftermarket Version 176
- R-134a Compressor Specifications - Seltec/ICE/Valeo Style 177
- R-134a Compressors - Seltec/ICE/Valeo Style 177

**Seltec/Ice/Valeo Style Compressors 177**

- Valeo to Seltec / ICE to Que Interchange 179
- Seltec Label Configuration 180
- Clutch Variations 181
- Cylinder Head Variations 181
- R-134a Compressor Specifications - York/T/CCI Style 182
- R-134a Compressors - Aftermarket Version 182

**York/T/CCI Style Compressors 182**

- Compressor Configuration 183
- Compressor Troubleshooting 184

**Compressor Mounting Brackets & Seal Kits 185**

**Pressure Relief Valves 185**

**Service Valves 186**

- Tube O-Ring Compressor Service Valves - York/T/CCI/Tecumseh R-12 187
- Rotolock Compressor Service Valves - York/T/CCI/Tecumseh R-134a 187
- Tube O-Ring Compressor Service Valves - York/T/CCI/Tecumseh R-134a 188
- Seltec & Sanden without Service Ports on Compressor 188

**Caps 189**



Call: 800.499.6849 for Technical Assistance

Availability of the products shown in this reference guide is subject to change without notice by Bergstrom, Inc. For the most current product information please visit the Bergstrom Distributor website at <https://shop.bergstrominc.com/>.

## 2

## Sanden to Kysor Interchange

COMPRESSORS



Sanden No.	Part No
2134	1000872711*
4010	526437
4018	1001321603
4028	1000449225*
4039	1000052427
4039	1000139472*
4040	1000052431
4075	1000145382
4077	1000141300
4078	1000141363
4079	1000194450
4080	1000141380
4081	1000141423
4081	1002396857*
4082	1000039646
4083	1000141434
4084	1000600468*
4090	1000163318
4093	1001321790
4099	1001321949
4108U	1000872650*
4108	1000872650*
4117	1000872711*
4120U	1000873174*
4120	1000873174*
4121	1001322595
4121U	1001322595
4148	1001889690
4271	1001249654
4271U1	1001249654
4285	1000873174*
4286	1000872711*
4305	526482
4307	1000322061
4314	1001249691
4326	1000381584
4326	1000872633*
4334	1001250650
4347	1000141284
4347	1000872619*
4362	1000537625
4368	1000141300
4370	1000141363
4376	1000194450
4377	1000141380
4384	1000873181*
4384U	1000873181*
4391	1000163318
4398	1000141423
4398	1002396857*
4405	1001202145
4418	526445
4418	1000451085*
4419	526367

Sanden No.	Part No
4419	1000870952*
4419	1000969524*
4420	526368
4420	1000164653*
4424	1000139472*
4434	526395
4434	1000164828*
4435	526396
4435	1000164831*
4468	1001255095
4469	526357
4469	1000165306*
4473	526461
4474	526487
4475	525992
4478	1001256639
4479	1001256651
4482	1000042346
4484	526441
4485	526435
4487	1001322225
4488	525989
4490	1000139553*
4491	525993
4493	526488
4493	1002026901*
4494	1000145387
4494	1001932834*
4499	1001256654
4506	1000223277*
4507	1000223277*
4509	1000223285*
4510	1000223285*
4513	1000164828*
4514	1000165249*
4516	525774
4521	1000164831*
4522	1000165249*
4523	1000165249*
4525	1000164828*
4527	1000164831*
4529	1000164828*
4543	1000039646
4548	1000141434
4577	1001889661
4577	1001889674*
4596	1001322640
4597	1001322640
4603	1000165306*
4604	1001255095
4608	1001256654
4618	526437
4626	1000139585*
4627	525723

Sanden No.	Part No
4638	1000165249*
4643	526051
4652	B402842
4664	525693
4665	1000165249*
4666	525997
4667	526495
4699	1000139585*
4705	526397
4707	1000165249*
4710	1000165249*
4712	1000165249*
4716	1000139553*
4720	1001202155
4720	1002362530*
4731	1000139472*
4733	1002026901*
4739	526497
4741	1000165210*
4745	525899
4757	1001932834*
4762	525901
4779	526498
4780	1000139585*
4796	1000537625
4800	1001202157
4802	1000872650*
4803	1002411890
4822	526066
4855	1001384786
4862	526372
4862	1000165210*
4864	526374
4864	1000165249*
4868	526378
4883	1000039652
4891	1001932834*
4892	1002026901*
4895	526506
4896	526498
6626	1000164828*
6627	1000164831*
6629	1000165249*
6630	1000164828*
6631	1000164828*
6632	1000164831*
6642	1000164828*
6655	1000165249*
6664	1000223285
6665	1000223277*
6667	1000164831*
6672	525774
* Aftermarket version compressor	

## Sanden to Kysor Interchange

2

Sanden No.	Part No
6677	<b>1000164828*</b>
6678	<b>1000164828*</b>
7819	<b>525698</b>

Sanden No.	Part No
8103	<b>1000165249*</b>
8112	<b>1001374173</b>

Sanden No.	Part No
9570	<b>1000872711*</b>
* Aftermarket version compressor	

COMPRESSORS



800.499.6849 • [shop.bergstrominc.com](http://shop.bergstrominc.com)

147

2

# Sanden Style Compressors

## R-134a Compressor Specifications

COMPRESSORS



Sanden No.	Model Type	Mount Type	Cylinder Head			Clutch					Oil Amount (cc)	Connector	Catalog No Part No	
			Type	Port Angle	Size/Thread	Size	Groove	Voltage	Shaft Type	Assy No.				
-	-	-	-	-	-	-	-	-	-	-	-	-	-	1001889700
2134	SD7H15SPR HD	Direct Short	WV	Horizontal	O-Ring	5 3/64" (128mm)/ 5 1/8" (130mm)	PV8	12V	Long Key Shaft	-	300	15300002	1000872711*	
4010	SD7H15	Ear 8 Long	SJA	Horizontal	O-Ring	4 11/16" (119mm)	PV7	12V	Long Key Shaft	4618-9931	240	2 Wire Female Packard #15300002	526437	
4018	SD7H15	SD7 Direct Short	0	Vertical	O-Ring Compression	4 15/16" (125mm)	PV10	12V	Long Key Shaft	-	300	2 Wire Female Packard #15300002	1001321603	
4028	SD7H15HD	Direct ADM/LDM	GV	Horizontal	GM Pad Metric	4 11/16" (119mm)	PV8	12V	Long Key Shaft	4420-9931	250	1 Wire Male Packard #12015791 w/ Diode	1000449225*	
4039	SD7H15	SD7 Direct Long	GSA	Vertical	O-Ring Compression	4 15/16" (125mm)	PV6	12V	Long Key Shaft	4883-9931	300	2 Wire Female Packard #15300002	1000052427	
4039	SD7H15HD	Direct ADM/LDM	GSA/ GH	Vertical/ Horizontal	Pad	4 15/16" (125mm)	PV6	12V	Involute Spline 13 X 24 X 0.5	4756-9931, 4424-9931	300	2 pin Metripack truck/ 15300002	1000139472*	
4040	SD7H15	SD7 Direct Long	GQ	Vertical	O-Ring Compression	4 15/16" (125mm)	PV6	12V	Long Key Shaft	4883-9931	300	2 Wire Female Packard #15300002	1000052431	
4075	SD7H15	SD7 Direct Long	GH	Horizontal	O-Ring Compression	4 11/16" (119mm)	PV8	12V	Long Key Shaft	4368-9931	300	2 Wire Female Packard #15300002	1000145382	
4077	SD7H15SPR HD	Direct ADM/LDM	GQ	Vertical	Pad @ 90	4 11/16" (119mm)	PV8	12V	Long Key Shaft	4368-9931	300	15300002	1000141300	
4078	SD7H15SPR HD	Direct TDM/SDM	GQ	Vertical	Pad @ 90	5" (127mm)	PV12/ PV10	12V	Long Key Shaft	4370-9931	240	2 pin Metripack truck	1000141363	
4079	SD7H15SPR HD	Direct TDM/SDM	GSA	Vertical	Pad	4 15/16" (125mm)	PV6	12V	Long Key Shaft	4376-9931	300	2 pin Metripack truck/ 15300002	1000194450	
4080	SD7H15SPR HD	Direct TDM/SDM	GQ	Vertical	Pad @ 90	4 15/16" (125mm)	PV6	12V	Long Key Shaft	4376-9931	300	2 pin Metripack truck	1000141380	
4081	SD7H15SPR HD	Direct ADM/LDM	GSA	Vertical	Pad	4 7/8" (124mm)	PV8	12V	Long Key Shaft	4368-9931	300	15300002	1000141423	
4081	SD7H15SPR HD	Direct ADM/LDM	GSA	Vertical	Pad	4 7/8" (124mm)	PV8	12V	Long Key Shaft	4368-9931	300	15300002	1002396857*	
4082	SD7H15SPR HD	Direct ADM/LDM	GH	Horizontal	Pad	5 1/2" (140mm)	PV8	12V	Long Key Shaft	4802-9931	300	15300002	1000039646	
4083	SD7H15SPR HD	Direct	WH	Vertical	Pad (U) @ 45 internal 3/4 x 7/8	4 11/16" (119mm)	PV8	12V	Long Key Shaft	4417-9931, 4420-9931, 4705-9930	300	15300002	1000141434	
4084	SD7H15	SD7 Direct Long	-	Horizontal	1 x 14	4 11/16" (119mm)	PV8	12V	Long Key Shaft	4368-9931	300	2 Wire Female Packard #15300002	1000600468*	
4090	SD7H15SPR HD	Direct ADM/LDM	KCA	Horizontal	3/4 x 7/8	4 11/16" (119mm)	PV8	12V	Long Key Shaft	4368-9931	300	2 pin Metripack truck/ 15300002	1000163318	
4093	SD7H15	Ear 8 Long	JD	Vertical	3/4 x 7/8	4 15/16" (125mm)	A2	24V	Long Key Shaft	6511-6310	200	1 Wire Male Packard #12015791 w/ Diode	1001321790	
4099	SD7H15	SD7 Direct Short	480	Vertical	O-Ring Compression	6 5/16" (160mm)	PV8	12V	Long Key Shaft	4099-9931	300	2 Wire Female Packard #15300002	1001321949	
4108U	SD7H15HD/ SD7H15	Direct Short	480	Vertical	O-Ring Compression	5 1/2" (140mm)	PV8	12V	Long Key Shaft	4802-9931	300	15300002	1000872650*	
4108	SD7H15HD/ SD7H15	Direct Short	480	Vertical	O-Ring Compression	5 1/2" (140mm)	PV8	12V	Long Key Shaft	4802-9931	300	15300002	1000872650*	

\* Aftermarket version compressor

# Sanden Style Compressors

2

## R-134a Compressor Specifications

Sanden No.	Model Type	Mount Type	Cylinder Head			Clutch					Oil Amount (cc)	Connector	Catalog No Part No
			Type	Port Angle	Size/ Thread	Size	Groove	Voltage	Shaft Type	Assy No.			
4117	SD7H15SPR HD	Direct Short	WV	Horizontal	O-Ring	5 3/64" (128mm)/ 5 1/8" (130mm)	PV8	12V	Long Key Shaft	-	300	15300002	1000872711*
4120U	SD7H15SPR HD	Direct Short	WV	Horizontal	O-Ring	4 59/64" (125mm)	PV8	12V	Long Key Shaft	4376-9931	300	15300002	1000873174*
4120	SD7H15SPR HD	Direct Short	WV	Horizontal	O-Ring	4 59/64" (125mm)	PV8	12V	Long Key Shaft	4376-9931	300	15300002	1000873174*
4121	SD7H15	SD7 Direct Long	KF	Horizontal	1 1/16 X 3/4	4 11/16" (119mm)	PV8	12V	Long Key Shaft	4545-9932	270	2 Wire Male Packard #12015792	1001322595
4121U	SD7H15	SD7 Direct Long	KF	Horizontal	1 1/16 X 3/4	4 11/16" (119mm)	PV8	12V	Long Key Shaft	4545-9932	270	2 Wire Male Packard #12015792	1001322595
4148	SD7H15	Direct	-	Horizontal	Pad	5 1/8" (130mm)	PV8	12V	-	-	300	Packard # 12048159	1001889690
4271	SD7H15	Ear 8 Long	JD	Vertical	3/4 x 7/8	5 3/16" (132mm)	A2	24V	Long Key Shaft	4435-9931	200	1 Wire Male Packard #12015791 w/ Bullet Jumper	1001249654
4271U1	SD7H15	Ear 8 Long	JD	Vertical	3/4 x 7/8	5 3/16" (132mm)	A2	24V	Long Key Shaft	4435-9931	200	1 Wire Male Packard #12015791 w/ Bullet Jumper	1001249654
4285	SD7H15SPR HD	Direct Short	WV	Horizontal	O-Ring	4 59/64" (125mm)	PV8	12V	Long Key Shaft	4376-9931	300	15300002	1000873174*
4286	SD7H15SPR HD	Direct Short	WV	Horizontal	O-Ring	5 3/64" (128mm)/ 5 1/8" (130mm)	PV8	12V	Long Key Shaft	-	300	15300002	1000872711*
4305	SD7H15	Ear 8 Long	WJ	Vertical	3/4 x 7/8 Internal Thread	4 11/16" (119mm)	PV8	12V	Long Key Shaft	7731-9930	300	2 Wire Ford F5TB-14A464-FA w/ Wedge	526482
4307	SD7H15HD	Direct ADM/LDM	WJ	Vertical	Pad Top	4 11/16" (119mm)	PV8	12V	Long Key Shaft	4417-9931, 4420-9931	300	2 Wire Female Packard #15300002	1000322061*
4314	SD7H15SPR HD	Direct TDM/SDM	480	Vertical	Pad @ 90	4 11/16" (119mm)	PV8	12V	Long Key Shaft	4368-9931	300	2 Wire male Packard	1001249691
4326	SD7H15	SD7 Direct Short	WV	Horizontal	O-Ring	7 1/16" 180mm)	PV8	12V	Long Key Shaft	-	300	2 Wire Female Packard #15300002	1000381584
4326	SD7H15SPR HD	Direct	WV	Horizontal	O-Ring	7 3/32" 180mm)	PV8	12V	Long Key Shaft	-	300	15300002	1000872633*
4334	SD7H15	SD7 Direct Long	4400	Vertical	O-Ring Compression / Flat Washer	4 11/16" (119mm)	PV8	12V	Long Key Shaft	-	300	2 Wire Female Packard #12177071	1001250650
4347	SD7H15	SD7 Direct Long	4347	Vertical	O-Ring Compression	4 11/16" (119mm)	PV10	12V	Long Key Shaft	4347-9930	300	2 Wire Female Packard #15300002	1000141284
4347	SD7H15 Enhanced	Direct ADM/LDM	4347	Vertical	Pad @ 45	4 11/16" (119mm)	PV10	12V	Long Key Shaft	4347-9930	300	2 pin Metripack truck	1000872619*
4362	SD7H15HD	SD7 Direct GM	GT	Vertical	O-Ring Compression	4 11/16" (119mm)	PV7	12V	Involute Spline 13 X 24 X 0.5	4796-9930	240	2 Wire Female Packard #12177071	1000537625
4368	SD7H15SPR HD	Direct ADM/LDM	GQ	Vertical	Pad @ 90	4 11/16" (119mm)	PV8	12V	Long Key Shaft	4368-9931	300	15300002	1000141300
4370	SD7H15SPR HD	Direct TDM/SDM	GQ	Vertical	Pad @ 90	5" (127mm)	PV12/ PV10	12V	Long Key Shaft	4370-9931	240	2 pin Metripack truck	1000141363
4376	SD7H15SPR HD	Direct TDM/SDM	GSA	Vertical	Pad	4 15/16" (125mm)	PV6	12V	Long Key Shaft	4376-9931	300	2 pin Metripack truck/ 15300002	1000194450
4377	SD7H15SPR HD	Direct TDM/SDM	GQ	Vertical	Pad @ 90	4 15/16" (125mm)	PV6	12V	Long Key Shaft	4376-9931	300	2 pin Metripack truck	1000141380

\* Aftermarket version compressor

COMPRESSORS



800.499.6849 • shop.bergstrominc.com

## 2

## Sanden Style Compressors

## R-134a Compressor Specifications

Sanden No.	Model Type	Mount Type	Cylinder Head			Clutch					Oil Amount (cc)	Connector	Catalog No Part No
			Type	Port Angle	Size/Thread	Size	Groove	Voltage	Shaft Type	Assy No.			
4384	SD7H15	SD7 Direct Short	-	Vertical	O-Ring Compression	4 31/32" (127mm)	PV10	12V	Long Key Shaft	4369-9931	300	2 Wire Female Packard #15300002	1000873181*
4384U	SD7H15	SD7 Direct Short	-	Vertical	O-Ring Compression	4 31/32" (127mm)	PV10	12V	Long Key Shaft	4369-9931	300	2 Wire Female Packard #15300002	1000873181*
4391	SD7H15SPR HD	Direct ADM/LDM	KCA	Horizontal	3/4 x 7/8	4 11/16" (119mm)	PV8	12V	Long Key Shaft	4368-9931	300	2 pin Metripack truck/ 15300002	1000163318
4398	SD7H15SPR HD	Direct ADM/LDM	GSA	Vertical	Pad	4 7/8" (124mm)	PV8	12V	Long Key Shaft	4368-9931	300	15300002	1000141423
4398	SD7H15SPR HD	Direct ADM/LDM	GSA	Vertical	Pad	4 7/8" (124mm)	PV8	12V	Long Key Shaft	4368-9931	300	15300002	1002396857*
4405	SD7H15	SD7 Direct Long	JDA	Vertical	3/4 x 7/8	4 11/16" (119mm)	PV10	12V	Long Key Shaft	4405-9920	300	1 Wire Male Packard #12015791 w/ Diode	1001202145
4418	SD7H15	SD7 Direct Long	4418	Vertical	O-Ring Compression	4 11/16" (119mm)	PV8	12V	Long Key Shaft	4705-9930	300	2 Wire Female Packard #15300002	526445
4418	SD7H15HD	SD7 Direct Long	441	Vertical	O-Ring Compression	4 11/16" (119mm)	PV8	12V	Long Key Shaft	4417-9931	300	2 Wire Female Packard #15300002	1000451085*
4419	SD7H15	SD7 Direct Long	GV	Horizontal	O-Ring	4 15/16" (125mm)	A2	12V	Long Key Shaft	4419-9931	200	1 Wire Male Packard #12015791 w/ Diode	526367
4419	SD7H15	SD7 Direct Long	GV	Horizontal	O-Ring	4 15/16" (125mm)	A2	12V	Long Key Shaft	4419-9931	200	1 Wire Male Packard #12015791 w/ Diode	1000870952*
4419	SD7H15	SD7 Direct Long	GV	Horizontal	O-Ring	4 15/16" (125mm)	A2	12V	Long Key Shaft	4419-9931	200	1 Wire Male Packard #12015791 w/ Diode	1000969524*
4420	SD7H15	SD7 Direct Long	GV	Horizontal	O-Ring	4 11/16" (119mm)	PV8	12V	Long Key Shaft	4672-9931	200	1 Wire Male Packard #12015791 w/ Diode	526368
4420	SD7H15HD	Direct ADM/LDM	GV	Horizontal	GM Pad Metric	4 11/16" (119mm)	PV8	12V	Long Key Shaft	4420-9931	200	1 Wire male Packard	1000164653*
4424	SD7H15HD	Direct ADM/LDM	GSA/ GH	Vertical/ Horizontal	Pad	4 15/16" (125mm)	PV6	12V	Involute Spline 13 X 24 X 0.5	4756-9931, 4424-9931	300	2 pin Metripack truck/ 15300002	1000139472*
4434	SD7H15	Ear 8 Long	GV	Horizontal	O-Ring	5 3/16" (132mm)	A2	12V	Long Key Shaft	6504-6310	200	1 Wire Male Packard #12015791 w/ Diode	526395
4434	SD7H15HD	EAR	GV	Horizontal	GM Pad Metric	5 13/64" (132mm)	A2	12V	Long Key Shaft	4434-9931	200	1 Wire male Packard	1000164828*
4435	SD7H15	Ear 8 Long	GV	Horizontal	O-Ring	5 3/16" (132mm)	A2	24V	Long Key Shaft	4435-9931	200	1 Wire Male Packard #12015791 w/ Diode & Bullet Jumper	526396
4435	SD7H15HD	EAR	GV	Horizontal	GM Pad Metric	5 13/64" (132mm)	A2	24V	Long Key Shaft	4435-9931	200	1 Wire male Packard	1000164831*
4468	SD7H15SHD	Ear 8 Long	GK	Horizontal	Pad @ H	5 7/16" (138mm)	A1	24V	Long Key Shaft	4604-9931, 6590-6010	300	2 Wire Deutsch DT04-2P-E	1001255095
4469	SD7H15	Ear 8 Long	WJ	Vertical	3/4 x 7/8 Internal Thread	5 3/16" (132mm)	A2	12V	Long Key Shaft	6504-6010	300	2 Wire Ford F5TB-14A464-FA w/ Wedge	526357
4469	SD7H15HD	Ear 8 Long	WJ	Vertical	Pad Top	5 3/16" (132mm)	A2	12V	Long Key Shaft	6504-6010	300	2 Wire Ford F5TB14A464	1000165306*
4473	SD7H15	SD7 Direct Long	GH	Horizontal	O-Ring Compression	4 15/16" (125mm)	PV6	12V	Long Key Shaft	4883-9931	300	2 Wire Female Packard #15300002	526461

\* Aftermarket version compressor

COMPRESSORS



# Sanden Style Compressors

2

## R-134a Compressor Specifications

Sanden No.	Model Type	Mount Type	Cylinder Head			Clutch					Oil Amount (cc)	Connector	Catalog No Part No
			Type	Port Angle	Size/ Thread	Size	Groove	Voltage	Shaft Type	Assy No.			
4474	SD7H15	SD7 Direct Long	WH	Vertical	3/4 x 7/8	4 11/16" (119mm)	PV8	12V	Long Key Shaft	7731-9930	300	2 wire Ford F5TB-14A464-FA w/ wedge	526487
4475	SD7H15	SD7 Direct Long	CBA	Vertical	1 x 14	4 15/16" (125mm)	PV6	12V	Involute Spline 13 X 24 X 0.5	4756-9931	300	2 Wire Female Packard #15300002	525992
4478	SD7H15	Ear 8 Long	MD	Horizontal	1 x 14	6" (152mm)	A2	12V	Long Key Shaft	6591-6010	285	1 Wire Female Packard #12010996	1001256639
4479	SD7H15	Ear 8 Long	GK	Horizontal	O-Ring	6" (152mm)	A1	24V	Long Key Shaft	4640-9932	300	2 Wire Deutsch #DT04-2P-E (005, EP04, EP05)	1001256651
4482	SD7H15	SD7 Direct Long	MDA	Horizontal	1 x 14	4 11/16" (119mm)	PV8	12V	Long Key Shaft	4705-9930	300	2 Wire Female Packard #15300002	1000042346
4484	SD7H15	Ear 8 Long	JDA	Vertical	3/4 x 7/8	4 15/16" (125mm)	A2	12V	Involute Spline 13 X 24 X 0.5	7803-9931	300	2 Wire Female Packard #15300002	526441
4485	SD7H15	SD7 Direct Long	GH	Horizontal	O-Ring Compression	4 11/16" (119mm)	PV8	12V	Long Key Shaft	4705-9930	300	2 Wire Female Packard #15300002	526435
4487	SD7H15	Ear 8 Long	GK	Horizontal	O-Ring	5 1/8" (130mm)	PV8	24V	Long Key Shaft	4726-9931	300	2 Wire Deutsch #DT04-2P-E (005, EP04, EP05)	1001322225
4488	SD7H15	Ear 8 Long	JDA	Vertical	3/4 x 7/8	5 3/16" (132mm)	A2	12V	Long Key Shaft	4752-9931	300	2 Wire Female Packard #15300002	525989
4490	SD7H15HD	Ear 8 Long	WV	Horizontal	2 Pad @ 45 Offset	5 1/8" (130mm)	PV8	12V	Long Key Shaft	4700-9931	300	2 Wire Female Packard 15300002	1000139553*
4491	SD7H15	SD7 Direct Long	JD	Vertical	3/4 x 7/8	5 3/16" (132mm)	A2	12V	Long Key Shaft	4752-9931	300	2 Wire Female Packard #15300002	525993
4493	SD7H15	SD7 Direct Short	WV	Horizontal	O-Ring	5 1/8" (130mm)	PV8	12V	Long Key Shaft	6786-6110	300	2 Wire Female Packard #15300002	526488
4493	SD7H15HD	Direct ADM/LDM, TDM/SDM	WV	Horizontal	2 Pad @ 45 Offset	5 1/8" (130mm)	PV8	12V	Involute Spline 13 X 24 X 0.5	4733-9931, 4895-9931, 6786-6110	300	2 Wire Female Packard/ 15300002	1002026901*
4494	SD7H15	SD7 Direct Long	WV	Horizontal	O-Ring	4 15/16" (125mm)	PV6	12V	Long Key Shaft	4891-9931	300	2 Wire Female Packard #15300002	1000145387
4494	SD7H15HD/SD7H15SPR HD	SD7 Direct Long	WV	Horizontal	2 Pad @ 45 Offset	4 15/16" (125mm)	PV6	12V	Involute Spline 13 X 24 X 0.5	4757-9931, 4891-9931	300	2 Wire Female Packard/ 15300002	1001932834*
4499	SD7H15	SD7 Direct Long	MD	Horizontal	1 x 14	6" (152mm)	PV8	12V	Long Key Shaft	4768-9933	285	1 Wire Female Packard #12010996	1001256654
4506	SD5H14HD	Ear 8 Long	FL	Vertical	3/4 x 7/8	5 3/16" (132mm)	A2	24V	Long Key Shaft	6514-6210	240	1 Wire male Bullet	1000223277*
4507	SD5H14HD	Ear 8 Long	FL	Vertical	3/4 x 7/8	5 3/16" (132mm)	A2	24V	Long Key Shaft	6514-6210	240	1 Wire male Bullet	1000223277*
4509	SD5H14HD	Ear 8 Long	FL	Vertical	3/4 x 7/8	5 3/16" (132mm)	A2	12V	Long Key Shaft	6514-6010, 6519-6010, 6514-6210	210	1 Wire male Bullet	1000223285*
4510	SD5H14HD	Ear 8 Long	FL	Vertical	3/4 x 7/8	5 3/16" (132mm)	A2	12V	Long Key Shaft	6514-6010, 6519-6010, 6514-6210	210	1 Wire male Bullet	1000223285*

\* Aftermarket version compressor

COMPRESSORS



800.499.6849 • shop.bergstrominc.com

2

**Sanden Style Compressors**

**R-134a Compressor Specifications**

Sanden No.	Model Type	Mount Type	Cylinder Head				Clutch				Oil Amount (cc)	Connector	Catalog No Part No
			Type	Port Angle	Size/Thread	Size	Groove	Voltage	Shaft Type	Assy No.			
4513	SD7H15HD	EAR	GV	Horizontal	GM Pad Metric	5 13/64" (132mm)	A2	12V	Long Key Shaft	4434-9931	200	1 Wire male Packard	1000164828*
4514	SD7H15HD	EAR	GV	Horizontal	GM Pad Metric	4 11/16" (119mm)	PV8	12V	Long Key Shaft	4420-9931	200	1 Wire male Packard	1000165249*
4516	SD5H14	Ear 8 Long	JD	Vertical	3/4 x 7/8	6 1/4" (158mm)	C1	24V	SD5 Keyed Shaft	9313-6210	210	1 Wire Male Bullet	525774
4521	SD7H15HD	EAR	GV	Horizontal	GM Pad Metric	5 13/64" (132mm)	A2	24V	Long Key Shaft	4435-9931	200	1 Wire male Packard	1000164831*
4522	SD7H15HD	EAR	GV	Horizontal	GM Pad Metric	4 11/16" (119mm)	PV8	12V	Long Key Shaft	4420-9931	200	1 Wire male Packard	1000165249*
4523	SD7H15HD	EAR	GV	Horizontal	GM Pad Metric	4 11/16" (119mm)	PV8	12V	Long Key Shaft	4420-9931	200	1 Wire male Packard	1000165249*
4525	SD7H15HD	EAR	GV	Horizontal	GM Pad Metric	5 13/64" (132mm)	A2	12V	Long Key Shaft	4434-9931	200	1 Wire male Packard	1000164828*
4527	SD7H15HD	EAR	GV	Horizontal	GM Pad Metric	5 13/64" (132mm)	A2	24V	Long Key Shaft	4435-9931	200	1 Wire male Packard	1000164831*
4529	SD7H15HD	EAR	GV	Horizontal	GM Pad Metric	5 13/64" (132mm)	A2	12V	Long Key Shaft	4434-9931	200	1 Wire male Packard	1000164828*
4543	SD7H15SPR HD	Direct ADM/LDM	GH	Horizontal	Pad	5 1/2" (140mm)	PV8	12V	Long Key Shaft	4802-9931	300	15300002	1000039646
4548	SD7H15SPR HD	Direct	WH	Vertical	Pad (U) @ .45 internal 3/4 x 7/8	4 11/16" (119mm)	PV8	12V	Long Key Shaft	4417-9931, 4420-9931, 4705-9930	300	15300002	1000141434
4577	SD7H15	Direct	-	Horizontal	Pad	4 31/32" (126mm)	PV7	12V	Long Key Shaft	-	300	Packard # 12048159	1001889661
4577	SD7H15	Direct	-	Horizontal	Pad	4 31/32" (126mm)	PV7	12V	Long Key Shaft	-	300	Packard # 12048159	1001889674*
4596	SD7H15	Ear 8 Long	JD	Horizontal	O-Ring	5 7/16" (138mm)	A1	12V	Long Key Shaft	6506-6110	135	2 Wire Deutsch #DT04-2P-E (005, EP04, EP05)	1001322640
4597	SD7H15	Ear 8 Long	JD	Horizontal	O-Ring	5 7/16" (138mm)	A1	12V	Long Key Shaft	6506-6110	135	2 Wire Deutsch #DT04-2P-E (005, EP04, EP05)	1001322640
4603	SD7H15HD	Ear 8 Long	WJ	Vertical	Pad Top	5 3/16" (132mm)	A2	12V	Long Key Shaft	6504-6010	300	2 Wire Ford F5TB14A464	1000165306*
4604	SD7H15SHD	Ear 8 Long	GK	Horizontal	Pad @ H	5 7/16" (138mm)	A1	24V	Long Key Shaft	4604-9931, 6590-6010	300	2 Wire Deutsch DT04-2P-E	1001255095
4608	SD7H15	SD7 Direct Long	MD	Horizontal	1 x 14	6" (152mm)	PV8	12V	Long Key Shaft	4768-9933	285	1 Wire Female Packard #12010996	1001256654
4618	SD7H15	Ear 8 Long	SJA	Horizontal	O-Ring	4 11/16" (119mm)	PV7	12V	Long Key Shaft	4618-9931	240	2 Wire Female Packard #15300002	526437
4626	SD7H15HD	Direct ADM/LDM	JD	Vertical	3/4 x 7/8	5 3/16" (132mm)	A2	12V	Long Key Shaft	4780-9931, 4694-9931	300	1 Wire male Packard/ 15300002	1000139585*
4627	SD7H15	Ear 8 Long	JD	Vertical	3/4 x 7/8	4 15/16" (125mm)	A2	12V	Long Key Shaft	6510-6110	300	1 Wire Male Packard #12065171	525723
4638	SD7H15HD	EAR	GV	Horizontal	GM Pad Metric	4 11/16" (119mm)	PV8	12V	Long Key Shaft	4420-9931	200	1 Wire male Packard	1000165249*
4643	SD7H15	Ear 8 Long	CBA	Vertical	1 x 14	5 3/16" (132mm)	A2	12V	Long Key Shaft	6504-6210	240	1 Wire Male Bullet	526051
4652	SD7H15	Ear 8 Long	JD	Vertical	3/4 x 7/8	4 15/16" (125mm)	A2	24V	Long Key Shaft	6511-6310	270	1 Wire Male Packard #12015791 wth Diode	B402842
4664	SD7H15	Ear 8 Long	JD	Vertical	3/4 x 7/8	5 3/16" (132mm)	A2	12V	Long Key Shaft	4639-9931	240	1 Wire Male Packard #12015791 w/ Bullet Jumper	525693
4665	SD7H15HD	EAR	GV	Horizontal	GM Pad Metric	4 11/16" (119mm)	PV8	12V	Long Key Shaft	4420-9931	200	1 Wire male Packard	1000165249*
4666	SD7H15	SD7 Direct Long	KC	Horizontal	3/4 x 7/8	4 11/16" (119mm)	PV8	12V	Long Key Shaft	6522-6010	240	1 Wire Male Bullet	525997

\* Aftermarket version compressor

COMPRESSORS





# Sanden Style Compressors

2

## R-134a Compressor Specifications

Sanden No.	Model Type	Mount Type	Cylinder Head			Clutch					Oil Amount (cc)	Connector	Catalog No Part No
			Type	Port Angle	Size/ Thread	Size	Groove	Voltage	Shaft Type	Assy No.			
4667	SD7H15	SD7 Direct Long	KCA	Horizontal	3/4 x 7/8	4 11/16" (119mm)	PV8	12V	Long Key Shaft	4705-9930	300	2 Wire Female Packard #15300002	526495
4699	SD7H15HD	Direct ADM/LDM	JD	Vertical	3/4 x 7/8	5 3/16" (132mm)	A2	12V	Long Key Shaft	4780-9931, 4694-9931	300	1 Wire male Packard/ 15300002	1000139585*
4705	SD7H15HD	Ear 8 Long	GQ	Vertical	Pad @ 90	4 11/16" (119mm)	PV8	12V	Long Key Shaft	4417-9931	300	2 pin Mertipak truck	526397
4707	SD7H15HD	EAR	GV	Horizontal	GM Pad Metric	4 11/16" (119mm)	PV8	12V	Long Key Shaft	4420-9931	200	1 Wire male Packard	1000165249*
4710	SD7H15HD	EAR	GV	Horizontal	GM Pad Metric	4 11/16" (119mm)	PV8	12V	Long Key Shaft	4420-9931	200	1 Wire male Packard	1000165249*
4712	SD7H15HD	EAR	GV	Horizontal	GM Pad Metric	4 11/16" (119mm)	PV8	12V	Long Key Shaft	4420-9931	200	1 Wire male Packard	1000165249*
4716	SD7H15HD	Ear 8 Long	WV	Horizontal	2 Pad @ 45 Offset	5 1/8" (130mm)	PV8	12V	Long Key Shaft	4700-9931	300	2 Wire Female Packard 15300002	1000139553*
4720	SD7H15	SD7 Direct Long	4347	Vertical	O-Ring Compression	4 11/16" (119mm)	PV8	12V	Long Key Shaft	4705-9930	300	2 Wire Female Packard #15300002	1001202155
4720	SD7H15	SD7 Direct Long	4347	Vertical	O-Ring Compression	4 11/16" (119mm)	PV8	12V	Long Key Shaft	4705-9930	300	2 Wire Female Packard #15300002	1002362530*
4731	SD7H15HD	Direct ADM/LDM	GSA/ GH	Vertical/ Horizontal	Pad	4 15/16" (125mm)	PV6	12V	Involute Spline 13 X 24 X 0.5	4756-9931, 4424-9931	300	2 pin Metripak truck/ 15300002	1000139472*
4733	SD7H15HD	Direct ADM/LDM, TDM/SDM	WV	Horizontal	2 Pad @ 45 Offset	5 1/8" (130mm)	PV8	12V	Involute Spline 13 X 24 X 0.5	4733-9931, 4895-9931, 6786-6110	300	2 Wire Female Packard/ 15300002	1002026901*
4739	SD7H15HD	Ear 8 Long	KG	Horizontal	3/4 x 7/8	4 11/16" (119mm)	PV8	12V	Long Key Shaft	4776-9931	300	2 pin Metripak truck	526497
4741	SD7H15HD	Ear 8 Long	GV	Horizontal	GM Pad Metric	4 15/16" (125mm)	A2	24V	Long Key Shaft	4862-9931	200	1 Wire Male Packard #12015791 w/ Diode & Bullet Jumper	1000165210*
4745	SD7H15	Ear 8 Long	JD	Vertical	3/4 x 7/8	6 1/4" (158mm)	C1	24V	Long Key Shaft	6719-6110	175	1 Wire Male Bullet	525899
4757	SD7H15HD/ SD7H15SPR HD	SD7 Direct Long	WV	Horizontal	2 Pad @ 45 Offset	4 15/16" (125mm)	PV6	12V	Involute Spline 13 X 24 X 0.5	4757-9931, 4891-9931	300	2 Wire Female Packard/ 15300002	1001932834*
4762	SD7H15	Ear 8 Long	JD	Vertical	3/4 x 7/8	4 11/16" (119mm)	PV8	24V	Long Key Shaft	4762-9931	175	1 Wire Male Bullet	525901
4779	SD7H15HD	Ear 8 Long	JD	Vertical	3/4 x 7/8	4 15/16" (125mm)	A2	12V	Involute Spline 13 X 24 X 0.5	4779-9931, 4896-9931	300	1 Wire male Packard 15300002	526498
4780	SD7H15HD	Direct ADM/LDM	JD	Vertical	3/4 x 7/8	5 3/16" (132mm)	A2	12V	Long Key Shaft	4780-9931, 4694-9931	300	1 Wire male Packard/ 15300002	1000139585*
4796	SD7H15HD	SD7 Direct GM	GT	Vertical	O-Ring Compression	4 11/16" (119mm)	PV7	12V	Involute Spline 13 X 24 X 0.5	4796-9930	240	2 Wire Female Packard #12177071	1000537625
4800	SD7H15	SD7 Direct Long	GV	Horizontal	O-Ring	4 11/16" (119mm)	PV8	12V	Long Key Shaft	4672-9931	300	1 Wire Male Packard #12015791 w/ Diode	1001202157
4802	SD7H15HD/ SD7H15	Direct Short	480	Vertical	O-Ring Compression	5 1/2" (140mm)	PV8	12V	Long Key Shaft	4802-9931	300	15300002	1000872650*
4803	SD7H15	SD7 Direct Long	MJA	Vertical	PAD	4 7/8" (124mm)	PV6	12V	-	-	300	2 Wire Female Packard/ 15300002	1002411890
4822	SD7H15	SD7 Direct Long	JDA	Vertical	3/4 x 7/8	4 11/16" (119mm)	PV8	12V	Long Key Shaft	4705-9930	300	2 Wire Female Packard #15300002	526066

\* Aftermarket version compressor

COMPRESSORS



800.499.6849 • shop.bergstrominc.com

2

**Sanden Style Compressors**

**R-134a Compressor Specifications**

COMPRESSORS



Sanden No.	Model Type	Mount Type	Cylinder Head			Clutch				Assy No.	Oil Amount (cc)	Connector	Catalog No Part No
			Type	Port Angle	Size/Thread	Size	Groove	Voltage	Shaft Type				
4855	SD7H15 Enhanced	Direct	GV	Horizontal	GM Pad Metric	5 3/16" (132mm)	PV8	12V	Long Key Shaft	6785-6210	300	2 Wire Deutsch DT04-2P-EP05	1001384786
4862	SD7H15	Ear 8 Long	GV	Horizontal	O-Ring	4 15/16" (125mm)	A2	24V	Long Key Shaft	4862-9931	200	1 Wire Male Packard #12015791 w/ Diode & Bullet Jumper	526372
4862	SD7H15HD	Ear 8 Long	GV	Horizontal	GM Pad Metric	4 15/16" (125mm)	A2	24V	Long Key Shaft	4862-9931	200	1 Wire Male Packard #12015791 w/ Diode & Bullet Jumper	1000165210*
4864	SD7H15	Ear 8 Long	GV	Horizontal	O-Ring	4 11/16" (119mm)	PV8	12V	Long Key Shaft	4672-9931	200	1 Wire Male Packard #12015791 w/ Diode	526374
4864	SD7H15HD	EAR	GV	Horizontal	GM Pad Metric	4 11/16" (119mm)	PV8	12V	Long Key Shaft	4420-9931	200	1 Wire male Packard	1000165249*
4868	SD7H15	Ear 8 Long	GV	Horizontal	O-Ring	6 1/4" (158mm)	C1	12V	Long Key Shaft	4868-9930	200	1 Wire Male Packard #12015791 w/ Diode	526378
4883	SD7H15	SD7 Direct Long	JD	Vertical	3/4 x 7/8	4 15/16" (125mm)	PV6	12V	Long Key Shaft	4883-9931	300	2 Wire Female Packard #15300002	1000039652
4891	SD7H15HD/SD7H15SPR HD	SD7 Direct Long	WV	Horizontal	2 Pad @ 45 Offset	4 15/16" (125mm)	PV6	12V	Involute Spline 13 X 24 X 0.5	4757-9931, 4891-9931	300	2 Wire Female Packard/ 15300002	1001932834*
4892	SD7H15HD	Direct ADM/LDM, TDM/SDM	WV	Horizontal	2 Pad @ 45 Offset	5 1/8" (130mm)	PV8	12V	Involute Spline 13 X 24 X 0.5	4733-9931, 4895-9931, 6786-6110	300	2 Wire Female Packard/ 15300002	1002026901*
4895	SD7H15	Ear 8 Long	KC	Horizontal	3/4 x 7/8	5 1/8" (130mm)	PV8	12V	Long Key Shaft	6786-6110	300	2 Wire Female Packard #15300002	526506
4896	SD7H15HD	Ear 8 Long	JD	Vertical	3/4 x 7/8	4 15/16" (125mm)	A2	12V	Involute Spline 13 X 24 X 0.5	4779-9931, 4896-9931	300	1 Wire male Packard 15300002	526498
6626	SD7H15HD	EAR	GV	Horizontal	GM Pad Metric	5 13/64" (132mm)	A2	12V	Long Key Shaft	4434-9931	200	1 Wire male Packard	1000164828*
6627	SD7H15HD	EAR	GV	Horizontal	GM Pad Metric	5 13/64" (132mm)	A2	24V	Long Key Shaft	4435-9931	200	1 Wire male Packard	1000164831*
6629	SD7H15HD	EAR	GV	Horizontal	GM Pad Metric	4 11/16" (119mm)	PV8	12V	Long Key Shaft	4420-9931	200	1 Wire male Packard	1000165249*
6630	SD7H15HD	EAR	GV	Horizontal	GM Pad Metric	5 13/64" (132mm)	A2	12V	Long Key Shaft	4434-9931	200	1 Wire male Packard	1000164828*
6631	SD7H15HD	EAR	GV	Horizontal	GM Pad Metric	5 13/64" (132mm)	A2	12V	Long Key Shaft	4434-9931	200	1 Wire male Packard	1000164828*
6632	SD7H15HD	EAR	GV	Horizontal	GM Pad Metric	5 13/64" (132mm)	A2	24V	Long Key Shaft	4435-9931	200	1 Wire male Packard	1000164831*
6642	SD7H15HD	EAR	GV	Horizontal	GM Pad Metric	5 13/64" (132mm)	A2	12V	Long Key Shaft	4434-9931	200	1 Wire male Packard	1000164828*
6655	SD7H15HD	EAR	GV	Horizontal	GM Pad Metric	4 11/16" (119mm)	PV8	12V	Long Key Shaft	4420-9931	200	1 Wire male Packard	1000165249*
6664	SD5H14HD	Ear 8 Long	FL	Vertical	3/4 x 7/8	5 3/16" (132mm)	A2	12V	Long Key Shaft	6514-6010, 6519-6010, 6514-6210	210	1 Wire male Bullet	1000223285*
6665	SD5H14HD	Ear 8 Long	FL	Vertical	3/4 x 7/8	5 3/16" (132mm)	A2	24V	Long Key Shaft	6514-6210	240	1 Wire male Bullet	1000223277*
6667	SD7H15HD	EAR	GV	Horizontal	GM Pad Metric	5 13/64" (132mm)	A2	24V	Long Key Shaft	4435-9931	200	1 Wire male Packard	1000164831*
6672	SD5H14	Ear 8 Long	JD	Vertical	3/4 x 7/8	6 1/4" (158mm)	C1	24V	SD5 Keyed Shaft	9313-6210	210	1 Wire Male Bullet	525774
6677	SD7H15HD	EAR	GV	Horizontal	GM Pad Metric	5 13/64" (132mm)	A2	12V	Long Key Shaft	4434-9931	200	1 Wire male Packard	1000164828*
6678	SD7H15HD	EAR	GV	Horizontal	GM Pad Metric	5 13/64" (132mm)	A2	12V	Long Key Shaft	4434-9931	200	1 Wire male Packard	1000164828*
7819	SD7H15	Ear 8 Long	MDA	Horizontal	1 x 14	4 15/16" (125mm)	A2	12V	Long Key Shaft	6560-6010	150	1 Wire Male Bullet	525698

\* Aftermarket version compressor








# Sanden Style Compressors

## R-134a Compressor Specifications

Sanden No.	Model Type	Mount Type	Cylinder Head			Clutch					Oil Amount (cc)	Connector	Catalog No Part No
			Type	Port Angle	Size/Thread	Size	Groove	Voltage	Shaft Type	Assy No.			
8103	SD7H15HD	EAR	GV	Horizontal	GM Pad Metric	4 11/16" (119mm)	PV8	12V	Long Key Shaft	4420-9931	200	1 Wire male Packard	1000165249*
8112	SD7H15	SD7 Direct Short	-	-	-	5 3/16" (132mm)	PV8	24V	Long Key Shaft	-	240	1 Wire Bullet Volvo 1308436	1001374173
9570	SD7H15SPRH	Direct Short	WV	Horizontal	O-Ring	5 3/64" (128mm)/ 5 1/8" (130mm)	PV8	12V	Long Key Shaft	-	300	15300002	1000872711*

\* Aftermarket version compressor

## R-134a Compressors - OEM Version

<p><b>Part No: 525693</b></p>  <table border="1"> <tr><td>Voltage: 12V</td><td>Material: Aluminum</td></tr> <tr><td>Mount: Ear 8 Long</td><td>Model Type: SD7H15</td></tr> <tr><td>Clutch Size: 5 3/16" (132mm)</td><td>OEM Model No.: 4664</td></tr> <tr><td>Cylinder Head Type: JD</td><td>No. of Grooves: A2</td></tr> <tr><td>Cylinder Head Port Angle: Vertical</td><td>Clutch Assembly No.: 4639-9931</td></tr> <tr><td>Cylinder Head Size/Thread: 3/4 x 7/8 Internal Thread</td><td>Clutch Shaft Type: Long Key Shaft</td></tr> <tr><td>Oil Amount: 240</td><td>Oil Type: SP15</td></tr> <tr><td>Connector: 1 Wire Male Packard #12015791 w/ Bullet Jumper</td><td>System: R-134a</td></tr> </table>	Voltage: 12V	Material: Aluminum	Mount: Ear 8 Long	Model Type: SD7H15	Clutch Size: 5 3/16" (132mm)	OEM Model No.: 4664	Cylinder Head Type: JD	No. of Grooves: A2	Cylinder Head Port Angle: Vertical	Clutch Assembly No.: 4639-9931	Cylinder Head Size/Thread: 3/4 x 7/8 Internal Thread	Clutch Shaft Type: Long Key Shaft	Oil Amount: 240	Oil Type: SP15	Connector: 1 Wire Male Packard #12015791 w/ Bullet Jumper	System: R-134a	<p><b>Part No: 525698</b></p>  <table border="1"> <tr><td>Voltage: 12V</td><td>Material: Aluminum</td></tr> <tr><td>Mount: Ear 8 Long</td><td>Model Type: SD7H15</td></tr> <tr><td>Clutch Size: 4 15/16" (125mm)</td><td>OEM Model No.: 7819</td></tr> <tr><td>Cylinder Head Type: MDA</td><td>No. of Grooves: A2</td></tr> <tr><td>Cylinder Head Port Angle: Horizontal</td><td>Clutch Assembly No.: 6560-6010</td></tr> <tr><td>Cylinder Head Size/Thread: 1 x 14</td><td>Clutch Shaft Type: Long Key Shaft</td></tr> <tr><td>Oil Amount: 150</td><td>Oil Type: SP15</td></tr> <tr><td>Connector: 1 Wire Male Bullet</td><td>System: R-134a</td></tr> </table>	Voltage: 12V	Material: Aluminum	Mount: Ear 8 Long	Model Type: SD7H15	Clutch Size: 4 15/16" (125mm)	OEM Model No.: 7819	Cylinder Head Type: MDA	No. of Grooves: A2	Cylinder Head Port Angle: Horizontal	Clutch Assembly No.: 6560-6010	Cylinder Head Size/Thread: 1 x 14	Clutch Shaft Type: Long Key Shaft	Oil Amount: 150	Oil Type: SP15	Connector: 1 Wire Male Bullet	System: R-134a	<p><b>Part No: 525723</b></p>  <table border="1"> <tr><td>Voltage: 12V</td><td>Material: Aluminum</td></tr> <tr><td>Mount: Ear 8 Long</td><td>Model Type: SD7H15</td></tr> <tr><td>Clutch Size: 4 15/16" (125mm)</td><td>OEM Model No.: 4627</td></tr> <tr><td>Cylinder Head Type: JD</td><td>No. of Grooves: A2</td></tr> <tr><td>Cylinder Head Port Angle: Vertical</td><td>Clutch Assembly No.: 6510-6110</td></tr> <tr><td>Cylinder Head Size/Thread: 3/4 x 7/8</td><td>Clutch Shaft Type: Long Key Shaft</td></tr> <tr><td>Oil Amount: 300</td><td>Oil Type: SP15</td></tr> <tr><td>Connector: 1 Wire Male Packard #12065171</td><td>System: R-134a</td></tr> </table>	Voltage: 12V	Material: Aluminum	Mount: Ear 8 Long	Model Type: SD7H15	Clutch Size: 4 15/16" (125mm)	OEM Model No.: 4627	Cylinder Head Type: JD	No. of Grooves: A2	Cylinder Head Port Angle: Vertical	Clutch Assembly No.: 6510-6110	Cylinder Head Size/Thread: 3/4 x 7/8	Clutch Shaft Type: Long Key Shaft	Oil Amount: 300	Oil Type: SP15	Connector: 1 Wire Male Packard #12065171	System: R-134a
Voltage: 12V	Material: Aluminum																																																	
Mount: Ear 8 Long	Model Type: SD7H15																																																	
Clutch Size: 5 3/16" (132mm)	OEM Model No.: 4664																																																	
Cylinder Head Type: JD	No. of Grooves: A2																																																	
Cylinder Head Port Angle: Vertical	Clutch Assembly No.: 4639-9931																																																	
Cylinder Head Size/Thread: 3/4 x 7/8 Internal Thread	Clutch Shaft Type: Long Key Shaft																																																	
Oil Amount: 240	Oil Type: SP15																																																	
Connector: 1 Wire Male Packard #12015791 w/ Bullet Jumper	System: R-134a																																																	
Voltage: 12V	Material: Aluminum																																																	
Mount: Ear 8 Long	Model Type: SD7H15																																																	
Clutch Size: 4 15/16" (125mm)	OEM Model No.: 7819																																																	
Cylinder Head Type: MDA	No. of Grooves: A2																																																	
Cylinder Head Port Angle: Horizontal	Clutch Assembly No.: 6560-6010																																																	
Cylinder Head Size/Thread: 1 x 14	Clutch Shaft Type: Long Key Shaft																																																	
Oil Amount: 150	Oil Type: SP15																																																	
Connector: 1 Wire Male Bullet	System: R-134a																																																	
Voltage: 12V	Material: Aluminum																																																	
Mount: Ear 8 Long	Model Type: SD7H15																																																	
Clutch Size: 4 15/16" (125mm)	OEM Model No.: 4627																																																	
Cylinder Head Type: JD	No. of Grooves: A2																																																	
Cylinder Head Port Angle: Vertical	Clutch Assembly No.: 6510-6110																																																	
Cylinder Head Size/Thread: 3/4 x 7/8	Clutch Shaft Type: Long Key Shaft																																																	
Oil Amount: 300	Oil Type: SP15																																																	
Connector: 1 Wire Male Packard #12065171	System: R-134a																																																	
<p><b>Part No: 525774</b></p>  <table border="1"> <tr><td>Voltage: 24V</td><td>Material: Aluminum</td></tr> <tr><td>Mount: Ear 8 Long</td><td>Model Type: SD5H14</td></tr> <tr><td>Clutch Size: 6 1/4" (158mm)</td><td>OEM Model No.: 4516, 6672</td></tr> <tr><td>Cylinder Head Type: JD</td><td>No. of Grooves: C1</td></tr> <tr><td>Cylinder Head Port Angle: Vertical</td><td>Clutch Assembly No.: 9313-6210</td></tr> <tr><td>Cylinder Head Size/Thread: 3/4 x 7/8</td><td>Clutch Shaft Type: SD5 Keyed Shaft</td></tr> <tr><td>Oil Amount: 210</td><td>Oil Type: SP15</td></tr> <tr><td>Connector: 1 Wire Male Bullet</td><td>System: R-134a</td></tr> </table>	Voltage: 24V	Material: Aluminum	Mount: Ear 8 Long	Model Type: SD5H14	Clutch Size: 6 1/4" (158mm)	OEM Model No.: 4516, 6672	Cylinder Head Type: JD	No. of Grooves: C1	Cylinder Head Port Angle: Vertical	Clutch Assembly No.: 9313-6210	Cylinder Head Size/Thread: 3/4 x 7/8	Clutch Shaft Type: SD5 Keyed Shaft	Oil Amount: 210	Oil Type: SP15	Connector: 1 Wire Male Bullet	System: R-134a	<p><b>Part No: 525899</b></p>  <table border="1"> <tr><td>Voltage: 24V</td><td>Material: Aluminum</td></tr> <tr><td>Mount: Ear 8 Long</td><td>Model Type: SD7H15</td></tr> <tr><td>Clutch Size: 6 1/4" (158mm)</td><td>OEM Model No.: 4745</td></tr> <tr><td>Cylinder Head Type: JD</td><td>No. of Grooves: C1</td></tr> <tr><td>Cylinder Head Port Angle: Vertical</td><td>Clutch Assembly No.: 6719-6110</td></tr> <tr><td>Cylinder Head Size/Thread: 3/4 x 7/8</td><td>Clutch Shaft Type: Long Key Shaft</td></tr> <tr><td>Oil Amount: 175</td><td>Oil Type: SP15</td></tr> <tr><td>Connector: 1 Wire Male Bullet</td><td>System: R-134a</td></tr> </table>	Voltage: 24V	Material: Aluminum	Mount: Ear 8 Long	Model Type: SD7H15	Clutch Size: 6 1/4" (158mm)	OEM Model No.: 4745	Cylinder Head Type: JD	No. of Grooves: C1	Cylinder Head Port Angle: Vertical	Clutch Assembly No.: 6719-6110	Cylinder Head Size/Thread: 3/4 x 7/8	Clutch Shaft Type: Long Key Shaft	Oil Amount: 175	Oil Type: SP15	Connector: 1 Wire Male Bullet	System: R-134a	<p><b>Part No: 525901</b></p>  <table border="1"> <tr><td>Voltage: 24V</td><td>Material: Aluminum</td></tr> <tr><td>Mount: Ear 8 Long</td><td>Model Type: SD7H15</td></tr> <tr><td>Clutch Size: 4 11/16" (119mm)</td><td>OEM Model No.: 4762</td></tr> <tr><td>Cylinder Head Type: JD</td><td>No. of Grooves: PV8</td></tr> <tr><td>Cylinder Head Port Angle: Vertical</td><td>Clutch Assembly No.: 4762-9931</td></tr> <tr><td>Cylinder Head Size/Thread: 3/4 x 7/8</td><td>Clutch Shaft Type: Long Key Shaft</td></tr> <tr><td>Oil Amount: 175</td><td>Oil Type: SP15</td></tr> <tr><td>Connector: 1 Wire Male Bullet</td><td>System: R-134a</td></tr> </table>	Voltage: 24V	Material: Aluminum	Mount: Ear 8 Long	Model Type: SD7H15	Clutch Size: 4 11/16" (119mm)	OEM Model No.: 4762	Cylinder Head Type: JD	No. of Grooves: PV8	Cylinder Head Port Angle: Vertical	Clutch Assembly No.: 4762-9931	Cylinder Head Size/Thread: 3/4 x 7/8	Clutch Shaft Type: Long Key Shaft	Oil Amount: 175	Oil Type: SP15	Connector: 1 Wire Male Bullet	System: R-134a
Voltage: 24V	Material: Aluminum																																																	
Mount: Ear 8 Long	Model Type: SD5H14																																																	
Clutch Size: 6 1/4" (158mm)	OEM Model No.: 4516, 6672																																																	
Cylinder Head Type: JD	No. of Grooves: C1																																																	
Cylinder Head Port Angle: Vertical	Clutch Assembly No.: 9313-6210																																																	
Cylinder Head Size/Thread: 3/4 x 7/8	Clutch Shaft Type: SD5 Keyed Shaft																																																	
Oil Amount: 210	Oil Type: SP15																																																	
Connector: 1 Wire Male Bullet	System: R-134a																																																	
Voltage: 24V	Material: Aluminum																																																	
Mount: Ear 8 Long	Model Type: SD7H15																																																	
Clutch Size: 6 1/4" (158mm)	OEM Model No.: 4745																																																	
Cylinder Head Type: JD	No. of Grooves: C1																																																	
Cylinder Head Port Angle: Vertical	Clutch Assembly No.: 6719-6110																																																	
Cylinder Head Size/Thread: 3/4 x 7/8	Clutch Shaft Type: Long Key Shaft																																																	
Oil Amount: 175	Oil Type: SP15																																																	
Connector: 1 Wire Male Bullet	System: R-134a																																																	
Voltage: 24V	Material: Aluminum																																																	
Mount: Ear 8 Long	Model Type: SD7H15																																																	
Clutch Size: 4 11/16" (119mm)	OEM Model No.: 4762																																																	
Cylinder Head Type: JD	No. of Grooves: PV8																																																	
Cylinder Head Port Angle: Vertical	Clutch Assembly No.: 4762-9931																																																	
Cylinder Head Size/Thread: 3/4 x 7/8	Clutch Shaft Type: Long Key Shaft																																																	
Oil Amount: 175	Oil Type: SP15																																																	
Connector: 1 Wire Male Bullet	System: R-134a																																																	

COMPRESSORS



800.499.6849 • shop.bergstrominc.com

2

**Sanden Style Compressors**

COMPRESSORS



**Part No: 525989**



Voltage: 12V	Material: Aluminum
Mount: Ear 8 Long	Model Type: SD7H15
Clutch Size: 5 3/16" (132mm)	OEM Model No.: 4488
Cylinder Head Type: JDA	No. of Grooves: A2
Cylinder Head Port Angle: Vertical	Clutch Assembly No.: 4752-9931
Cylinder Head Size/Thread: 3/4 x 7/8	Clutch Shaft Type: Long Key Shaft
Oil Amount: 300	Oil Type: SP15
Connector: 2 Wire Female Packard #15300002	System: R-134a

**Part No: 525992**



Voltage: 12V	Material: Aluminum
Mount: SD7 Direct Long	Model Type: SD7H15
Clutch Size: 4 15/16" (125mm)	OEM Model No.: 4475
Cylinder Head Type: CBA	No. of Grooves: PV6
Cylinder Head Port Angle: Vertical	Clutch Assembly No.: 4756-9931
Cylinder Head Size/Thread: 1 x 14	Clutch Shaft Type: Involute Spline 13 X 24 X 0.5
Oil Amount: 300	Oil Type: SP15
Connector: 2 Wire Female Packard #15300002	System: R-134a

**Part No: 525993**



Voltage: 12V	Material: Aluminum
Mount: SD7 Direct Long	Model Type: SD7H15
Clutch Size: 5 3/16" (132mm)	OEM Model No.: 4491
Cylinder Head Type: JD	No. of Grooves: A2
Cylinder Head Port Angle: Vertical	Clutch Assembly No.: 4752-9931
Cylinder Head Size/Thread: 3/4 x 7/8	Clutch Shaft Type: Long Key Shaft
Oil Amount: 300	Oil Type: SP15
Connector: 2 Wire Female Packard #15300002	System: R-134a

**Part No: 525997**



Voltage: 12V	Material: Aluminum
Mount: SD7 Direct Long	Model Type: SD7H15
Clutch Size: 4 11/16" (119mm)	OEM Model No.: 4666
Cylinder Head Type: KC	No. of Grooves: PV8
Cylinder Head Port Angle: Horizontal	Clutch Assembly No.: 6522-6010
Cylinder Head Size/Thread: 3/4 x 7/8	Clutch Shaft Type: Long Key Shaft
Oil Amount: 240	Oil Type: SP15
Connector: 1 Wire Male Bullet	System: R-134a

**Part No: 526051**



Voltage: 12V	Material: Aluminum
Mount: Ear 8 Long	Model Type: SD7H15
Clutch Size: 5 3/16" (132mm)	OEM Model No.: 4643
Cylinder Head Type: CBA	No. of Grooves: A2
Cylinder Head Port Angle: Vertical	Clutch Assembly No.: 6504-6210
Cylinder Head Size/Thread: 1 x 14	Clutch Shaft Type: Long Key Shaft
Oil Amount: 240	Oil Type: SP15
Connector: 1 Wire Male Bullet	System: R-134a

**Part No: 526066**



Voltage: 12V	Material: Aluminum
Mount: SD7 Direct Long	Model Type: SD7H15
Clutch Size: 4 11/16" (119mm)	OEM Model No.: 4822
Cylinder Head Type: JDA	No. of Grooves: PV8
Cylinder Head Port Angle: Vertical	Clutch Assembly No.: 4705-9930
Cylinder Head Size/Thread: 3/4 x 7/8	Clutch Shaft Type: Long Key Shaft
Oil Amount: 300	Oil Type: SP15
Connector: 2 Wire Female Packard #15300002	System: R-134a

**Part No: 526357**



Voltage: 12V	Material: Aluminum
Mount: Ear 8 Long	Model Type: SD7H15
Clutch Size: 5 3/16" (132mm)	OEM Model No.: 4469
Cylinder Head Type: WJ	No. of Grooves: A2
Cylinder Head Port Angle: Vertical	Clutch Assembly No.: 6504-6010
Cylinder Head Size/Thread: 3/4 x 7/8 Internal Thread	Clutch Shaft Type: Long Key Shaft
Oil Amount: 300	Oil Type: SP15
Connector: 2 Wire Ford F5TB-14A464-FA w/ Wedge	System: R-134a

**Part No: 526367**



Voltage: 12V	Material: Aluminum
Mount: SD7 Direct Long	Model Type: SD7H15
Clutch Size: 4 15/16" (125mm)	OEM Model No.: 4419
Cylinder Head Type: GV	No. of Grooves: A2
Cylinder Head Port Angle: Horizontal	Clutch Assembly No.: 4419-9931
Cylinder Head Size/Thread: O-Ring	Clutch Shaft Type: Long Key Shaft
Oil Amount: 200	Oil Type: SP15
Connector: 1 Wire Male Packard #12015791 w/ Diode	System: R-134a

**Part No: 526368**



Voltage: 12V	Material: Aluminum
Mount: SD7 Direct Long	Model Type: SD7H15
Clutch Size: 4 11/16" (119mm)	OEM Model No.: 4420
Cylinder Head Type: GV	No. of Grooves: PV8
Cylinder Head Port Angle: Horizontal	Clutch Assembly No.: 4672-9931
Cylinder Head Size/Thread: O-Ring	Clutch Shaft Type: Long Key Shaft
Oil Amount: 200	Oil Type: SP15
Connector: 1 Wire Male Packard #12015791 w/ Diode	System: R-134a

## Sanden Style Compressors

**Part No: 526372**



Voltage: 24V	Material: Aluminum
Mount: Ear 8 Long	Model Type: SD7H15
Clutch Size: 4 15/16" (125mm)	OEM Model No.: 4862
Cylinder Head Type: GV	No. of Grooves: A2
Cylinder Head Port Angle: Horizontal	Clutch Assembly No.: 4862-9931
Cylinder Head Size/Thread: O-Ring	Clutch Shaft Type: Long Key Shaft
Oil Amount: 200	Oil Type: SP15
Connector: 1 Wire Male Packard #12015791 w/ Diode & Bullet Jumper	System: R-134a

**Part No: 526374**



Voltage: 12V	Material: Aluminum
Mount: Ear 8 Long	Model Type: SD7H15
Clutch Size: 4 11/16" (119mm)	OEM Model No.: 4864
Cylinder Head Type: GV	No. of Grooves: PV8
Cylinder Head Port Angle: Horizontal	Clutch Assembly No.: 4672-9931
Cylinder Head Size/Thread: O-Ring	Clutch Shaft Type: Long Key Shaft
Oil Amount: 200	Oil Type: SP15
Connector: 1 Wire Male Packard #12015791 w/ Diode	System: R-134a

**Part No: 526378**



Voltage: 12V	Material: Aluminum
Mount: Ear 8 Long	Model Type: SD7H15
Clutch Size: 6 1/4" (158mm)	OEM Model No.: 4868
Cylinder Head Type: GV	No. of Grooves: C1
Cylinder Head Port Angle: Horizontal	Clutch Assembly No.: 4868-9930
Cylinder Head Size/Thread: O-Ring	Clutch Shaft Type: Long Key Shaft
Oil Amount: 200	Oil Type: SP15
Connector: 1 Wire Male Packard #12015791 w/ Diode	System: R-134a

**Part No: 526395**



Voltage: 12V	Material: Aluminum
Mount: Ear 8 Long	Model Type: SD7H15
Clutch Size: 5 3/16" (132mm)	OEM Model No.: 4434
Cylinder Head Type: GV	No. of Grooves: A2
Cylinder Head Port Angle: Horizontal	Clutch Assembly No.: 6504-6310
Cylinder Head Size/Thread: O-Ring	Clutch Shaft Type: Long Key Shaft
Oil Amount: 200	Oil Type: SP15
Connector: 1 Wire Male Packard #12015791 w/ Diode	System: R-134a

**Part No: 526396**



Voltage: 24V	Material: Aluminum
Mount: Ear 8 Long	Model Type: SD7H15
Clutch Size: 5 3/16" (132mm)	OEM Model No.: 4435
Cylinder Head Type: GV	No. of Grooves: A2
Cylinder Head Port Angle: Horizontal	Clutch Assembly No.: 4435-9931
Cylinder Head Size/Thread: O-Ring	Clutch Shaft Type: Long Key Shaft
Oil Amount: 200	Oil Type: SP15
Connector: 1 Wire Male Packard #12015791 w/ Diode & Bullet Jumper	System: R-134a

**Part No: 526397**



Voltage: 12V	Material: Aluminum
Mount: Ear 8 Long	Model Type: SD7H15HD
Clutch Size: 4 11/16" (119mm)	OEM Model No.: 4705
Cylinder Head Type: GQ	No. of Grooves: PV8
Cylinder Head Port Angle: Vertical	Clutch Assembly No.: 4417-9931
Cylinder Head Size/Thread: Pad @ 90	Clutch Shaft Type: Long Key Shaft
Oil Amount: 300	Oil Type: SP15
Connector: 2 pin Mertipak truck	System: R-134a

**Part No: 526435**



Voltage: 12V	Material: Aluminum
Mount: SD7 Direct Long	Model Type: SD7H15
Clutch Size: 4 11/16" (119mm)	OEM Model No.: 4485
Cylinder Head Type: GH	No. of Grooves: PV8
Cylinder Head Port Angle: Horizontal	Clutch Assembly No.: 4705-9930
Cylinder Head Size/Thread: O-Ring Compression	Clutch Shaft Type: Long Key Shaft
Oil Amount: 300	Oil Type: SP15
Connector: 2 Wire Female Packard #15300002	System: R-134a

**Part No: 526437**



Voltage: 12V	Material: Aluminum
Mount: Ear 8 Long	Model Type: SD7H15
Clutch Size: 4 11/16" (119mm)	OEM Model No.: 4618, 4010
Cylinder Head Type: SJA	No. of Grooves: PV7
Cylinder Head Port Angle: Horizontal	Clutch Assembly No.: 4618-9931
Cylinder Head Size/Thread: O-Ring	Clutch Shaft Type: Long Key Shaft
Oil Amount: 240	Oil Type: SP15
Connector: 2 Wire Female Packard #15300002	System: R-134a

**Part No: 526441**



Voltage: 12V	Material: Aluminum
Mount: Ear 8 Long	Model Type: SD7H15
Clutch Size: 4 15/16" (125mm)	OEM Model No.: 4484
Cylinder Head Type: JDA	No. of Grooves: A2
Cylinder Head Port Angle: Vertical	Clutch Assembly No.: 7803-9931
Cylinder Head Size/Thread: 3/4 x 7/8	Clutch Shaft Type: Involute Spline 13 X 24 X 0.5
Oil Amount: 300	Oil Type: SP20
Connector: 2 Wire Female Packard #15300002	System: R-134a

COMPRESSORS



800.499.6849 • shop.bergstrominc.com

2

**Sanden Style Compressors**

COMPRESSORS



**Part No: 526445**



Voltage: 12V	Material: Aluminum
Mount: SD7 Direct Long	Model Type: SD7H15
Clutch Size: 4 11/16" (119mm)	OEM Model No.: 4418
Cylinder Head Type: 4418	No. of Grooves: PV8
Cylinder Head Port Angle: Vertical	Clutch Assembly No.: 4705-9930
Cylinder Head Size/Thread: O-Ring Compression	Clutch Shaft Type: Long Key Shaft
Oil Amount: 300	Oil Type: SP15
Connector: 2 Wire Female Packard #15300002	System: R-134a

**Part No: 526461**



Voltage: 12V	Material: Aluminum
Mount: SD7 Direct Long	Model Type: SD7H15
Clutch Size: 4 15/16" (125mm)	OEM Model No.: 4473
Cylinder Head Type: GH	No. of Grooves: PV6
Cylinder Head Port Angle: Horizontal	Clutch Assembly No.: 4883-9931
Cylinder Head Size/Thread: O-Ring Compression	Clutch Shaft Type: Long Key Shaft
Oil Amount: 300	Oil Type: SP15
Connector: 2 Wire Female Packard #15300002	System: R-134a

**Part No: 526482**



Voltage: 12V	Material: Aluminum
Mount: Ear 8 Long	Model Type: SD7H15
Clutch Size: 4 11/16" (119mm)	OEM Model No.: 4305
Cylinder Head Type: WJ	No. of Grooves: PV8
Cylinder Head Port Angle: Vertical	Clutch Assembly No.: 7731-9930
Cylinder Head Size/Thread: 3/4 x 7/8 Internal Thread	Clutch Shaft Type: Long Key Shaft
Oil Amount: 300	Oil Type: SP15
Connector: 2 Wire Ford F5TB-14A464-FA w/ Wedge	System: R-134a

**Part No: 526487**



Voltage: 12V	Material: Aluminum
Mount: SD7 Direct Long	Model Type: SD7H15
Clutch Size: 4 11/16" (119mm)	OEM Model No.: 4474
Cylinder Head Type: WH	No. of Grooves: PV8
Cylinder Head Port Angle: Vertical	Clutch Assembly No.: 7731-9930
Cylinder Head Size/Thread: 3/4 x 7/8	Clutch Shaft Type: Long Key Shaft
Oil Amount: 300	Oil Type: SP15
Connector: 2 Wire Ford F5TB-14A464-FA w/ wedge	System: R-134a

**Part No: 526488**



Voltage: 12V	Material: Aluminum
Mount: SD7 Direct Short	Model Type: SD7H15
Clutch Size: 5 1/8" (130mm)	OEM Model No.: 4493
Cylinder Head Type: WV	No. of Grooves: PV8
Cylinder Head Port Angle: Horizontal	Clutch Assembly No.: 6786-6110
Cylinder Head Size/Thread: O-Ring	Clutch Shaft Type: Long Key Shaft
Oil Amount: 300	Oil Type: SP15
Connector: 2 Wire Female Packard #15300002	System: R-134a

**Part No: 526495**



Voltage: 12V	Material: Aluminum
Mount: SD7 Direct Long	Model Type: SD7H15
Clutch Size: 4 11/16" (119mm)	OEM Model No.: 4667
Cylinder Head Type: KCA	No. of Grooves: PV8
Cylinder Head Port Angle: Horizontal	Clutch Assembly No.: 4705-9930
Cylinder Head Size/Thread: 3/4 x 7/8	Clutch Shaft Type: Long Key Shaft
Oil Amount: 300	Oil Type: SP15
Connector: 2 Wire Female Packard #15300002	System: R-134a

**Part No: 526497**



Voltage: 12V	Material: Aluminum
Mount: Ear 8 Long	Model Type: SD7H15HD
Clutch Size: 4 11/16" (119mm)	OEM Model No.: 4739
Cylinder Head Type: KG	No. of Grooves: PV8
Cylinder Head Port Angle: Horizontal	Clutch Assembly No.: 4776-9931
Cylinder Head Size/Thread: 3/4 x 7/8	Clutch Shaft Type: Long Key Shaft
Oil Amount: 300	Oil Type: SP15
Connector: 2 pin Metripack truck	System: R-134a

**Part No: 526498**



Voltage: 12V	Material: Aluminum
Mount: Ear 8 Long	Model Type: SD7H15HD
Clutch Size: 4 15/16" (125mm)	OEM Model No.: 4779, 4896
Cylinder Head Type: JD	No. of Grooves: A2
Cylinder Head Port Angle: Vertical	Clutch Assembly No.: 4779-9931, 4896-9931
Cylinder Head Size/Thread: 3/4 x 7/8	Clutch Shaft Type: Involute Spline 13 X 24 X 0.5
Oil Amount: 300	Oil Type: SP15
Connector: 1 Wire Male Packard/15300002	System: R-134a

**Part No: 526506**



Voltage: 12V	Material: Aluminum
Mount: Ear 8 Long	Model Type: SD7H15
Clutch Size: 5 1/8" (130mm)	OEM Model No.: 4895
Cylinder Head Type: KC	No. of Grooves: PV8
Cylinder Head Port Angle: Horizontal	Clutch Assembly No.: 6786-6110
Cylinder Head Size/Thread: 3/4 x 7/8	Clutch Shaft Type: Long Key Shaft
Oil Amount: 300	Oil Type: SP15
Connector: 2 Wire Female Packard #15300002	System: R-134a

# Sanden Style Compressors

**Part No: 100004842**



Voltage: 12V	Material: Aluminum
Mount: SD7 Direct Long	Model Type: SD7H15
Clutch Size: 4 15/16" (125mm)	OEM Model No.: 4546
Cylinder Head Type: GWA	No. of Grooves: PV6
Cylinder Head Port Angle: Horizontal	Clutch Assembly No.: 4883-9931
Cylinder Head Size/Thread: O-Ring Compression	Clutch Shaft Type: Long Key Shaft
Oil Amount: 300	Oil Type: SP15
Connector: 2 Wire Female Packard #15300002	System: R-134a

**Part No: 1000039646**



Voltage: 12V	Material: Aluminum
Mount: Direct ADM/LDM	Model Type: SD7H15SPRHD
Clutch Size: 5 1/2" (140mm)	OEM Model No.: 4543, 4082
Cylinder Head Type: GH	No. of Grooves: PV8
Cylinder Head Port Angle: Horizontal	Clutch Assembly No.: 4802-9931
Cylinder Head Size/Thread: Pad	Clutch Shaft Type: Long Key Shaft
Oil Amount: 300	Oil Type: SP15
Connector: 15300002	System: R-134a

**Part No: 1000039652**



Voltage: 12V	Material: Aluminum
Mount: SD7 Direct Long	Model Type: SD7H15
Clutch Size: 4 15/16" (125mm)	OEM Model No.: 4883
Cylinder Head Type: JD	No. of Grooves: PV6
Cylinder Head Port Angle: Vertical	Clutch Assembly No.: 4883-9931
Cylinder Head Size/Thread: 3/4 x 7/8	Clutch Shaft Type: Long Key Shaft
Oil Amount: 300	Oil Type: SP15
Connector: 2 Wire Female Packard #15300002	System: R-134a

**Part No: 1000042346**



Voltage: 12V	Material: Aluminum
Mount: SD7 Direct Long	Model Type: SD7H15
Clutch Size: 4 11/16" (119mm)	OEM Model No.: 4482
Cylinder Head Type: MDA	No. of Grooves: PV8
Cylinder Head Port Angle: Horizontal	Clutch Assembly No.: 4705-9930
Cylinder Head Size/Thread: 1 x 14	Clutch Shaft Type: Long Key Shaft
Oil Amount: 300	Oil Type: SP15
Connector: 2 Wire Female Packard #15300002	System: R-134a

**Part No: 1000052427**



Voltage: 12V	Material: Aluminum
Mount: SD7 Direct Long	Model Type: SD7H15
Clutch Size: 4 15/16" (125mm)	OEM Model No.: 4039
Cylinder Head Type: GSA	No. of Grooves: PV6
Cylinder Head Port Angle: Vertical	Clutch Assembly No.: 4883-9931
Cylinder Head Size/Thread: O-Ring Compression	Clutch Shaft Type: Long Key Shaft
Oil Amount: 300	Oil Type: SP15
Connector: 2 Wire Female Packard #15300002	System: R-134a

**Part No: 1000052431**



Voltage: 12V	Material: Aluminum
Mount: SD7 Direct Long	Model Type: SD7H15
Clutch Size: 4 15/16" (125mm)	OEM Model No.: 4040
Cylinder Head Type: GQ	No. of Grooves: PV6
Cylinder Head Port Angle: Vertical	Clutch Assembly No.: 4883-9931
Cylinder Head Size/Thread: O-Ring Compression	Clutch Shaft Type: Long Key Shaft
Oil Amount: 300	Oil Type: SP15
Connector: 2 Wire Female Packard #15300002	System: R-134a

**Part No: 1000141284**



Voltage: 12V	Material: Aluminum
Mount: SD7 Direct Long	Model Type: SD7H15
Clutch Size: 4 11/16" (119mm)	OEM Model No.: 4347
Cylinder Head Type: 4347	No. of Grooves: PV10
Cylinder Head Port Angle: Vertical	Clutch Assembly No.: 4347-9930
Cylinder Head Size/Thread: O-Ring Compression	Clutch Shaft Type: Long Key Shaft
Oil Amount: 300	Oil Type: SP15
Connector: 2 Wire Female Packard #15300002	System: R-134a

**Part No: 1000141300**



Voltage: 12V	Material: Aluminum
Mount: Direct ADM/LDM	Model Type: SD7H15SPRHD
Clutch Size: 4 11/16" (119mm)	OEM Model No.: 4368, 4077
Cylinder Head Type: GQ	No. of Grooves: PV8
Cylinder Head Port Angle: Vertical	Clutch Assembly No.: 4368-9931
Cylinder Head Size/Thread: Pad @ 90	Clutch Shaft Type: Long Key Shaft
Oil Amount: 300	Oil Type: SP15
Connector: 15300002	System: R-134a

**Part No: 1000141363**



Voltage: 12V	Material: Aluminum
Mount: Direct TDM/SDM	Model Type: SD7H15SPRHD
Clutch Size: 5" (127mm)	OEM Model No.: 4078, 4370
Cylinder Head Type: GQ	No. of Grooves: PV12/PV10
Cylinder Head Port Angle: Vertical	Clutch Assembly No.: 4370-9931
Cylinder Head Size/Thread: Pad @ 90	Clutch Shaft Type: Long Key Shaft
Oil Amount: 240	Oil Type: SP15
Connector: 2 pin Metripack truck	System: R-134a

COMPRESSORS



800.499.6849 • shop.bergstrominc.com

2

**Sanden Style Compressors**

COMPRESSORS



**Part No: 1000141380**



Voltage: 12V	Material: Aluminum
Mount: Direct TDM/SDM	Model Type: SD7H15SPRHD
Clutch Size: 4 15/16" (125mm)	OEM Model No.: 4080, 4377
Cylinder Head Type: GQ	No. of Grooves: PV6
Cylinder Head Port Angle: Vertical	Clutch Assembly No.: 4376-9931
Cylinder Head Size/Thread: Pad @ 90	Clutch Shaft Type: Long Key Shaft
Oil Amount: 300	Oil Type: SP15
Connector: 2 pin Metripack truck	System: R-134a

**Part No: 1000141423**



Voltage: 12V	Material: Aluminum
Mount: Direct ADM/LDM	Model Type: SD7H15SPRHD
Clutch Size: 4 7/8" (124mm)	OEM Model No.: 4398, 4081
Cylinder Head Type: GSA	No. of Grooves: PV8
Cylinder Head Port Angle: Vertical	Clutch Assembly No.: 4368-9931
Cylinder Head Size/Thread: Pad	Clutch Shaft Type: Long Key Shaft
Oil Amount: 300	Oil Type: SP15
Connector: 15300002	System: R-134a

**Part No: 1000141434**



Voltage: 12V	Material: Aluminum
Mount: Direct	Model Type: SD7H15SPRHD
Clutch Size: 4 11/16" (119mm)	OEM Model No.: 4548, 4083
Cylinder Head Type: WH	No. of Grooves: PV8
Cylinder Head Port Angle: Vertical	Clutch Assembly No.: 4417-9931, 4420-9931, 4705-9930
Cylinder Head Size/Thread: Pad (U) @ 45 internal 3/4 x 7/8	Clutch Shaft Type: Long Key Shaft
Oil Amount: 300	Oil Type: SP15
Connector: 15300002	System: R-134a

**Part No: 1000145382**



Voltage: 12V	Material: Aluminum
Mount: SD7 Direct Long	Model Type: SD7H15
Clutch Size: 4 11/16" (119mm)	OEM Model No.: 4075
Cylinder Head Type: GH	No. of Grooves: PV8
Cylinder Head Port Angle: Horizontal	Clutch Assembly No.: 4368-9931
Cylinder Head Size/Thread: O-Ring Compression	Clutch Shaft Type: Long Key Shaft
Oil Amount: 300	Oil Type: SP15
Connector: 2 Wire Female Packard #15300002	System: R-134a

**Part No: 1000145387**



Voltage: 12V	Material: Aluminum
Mount: SD7 Direct Long	Model Type: SD7H15
Clutch Size: 4 15/16" (125mm)	OEM Model No.: 4494
Cylinder Head Type: WV	No. of Grooves: PV6
Cylinder Head Port Angle: Horizontal	Clutch Assembly No.: 4891-9931
Cylinder Head Size/Thread: O-Ring	Clutch Shaft Type: Long Key Shaft
Oil Amount: 300	Oil Type: SP15
Connector: 2 Wire Female Packard #15300002	System: R-134a

**Part No: 1000163318**



Voltage: 12V	Material: Aluminum
Mount: Direct ADM/LDM	Model Type: SD7H15SPRHD
Clutch Size: 4 11/16" (119mm)	OEM Model No.: 4090, 4391
Cylinder Head Type: KCA	No. of Grooves: PV8
Cylinder Head Port Angle: Horizontal	Clutch Assembly No.: 4368-9931
Cylinder Head Size/Thread: 3/4 x 7/8	Clutch Shaft Type: Long Key Shaft
Oil Amount: 300	Oil Type: SP15
Connector: 2 pin Metripack truck/15300002	System: R-134a

**Part No: 1000194450**



Voltage: 12V	Material: Aluminum
Mount: Direct TDM/SDM	Model Type: SD7H15SPRHD
Clutch Size: 4 15/16" (125mm)	OEM Model No.: 4079, 4376
Cylinder Head Type: GSA	No. of Grooves: PV6
Cylinder Head Port Angle: Vertical	Clutch Assembly No.: 4376-9931
Cylinder Head Size/Thread: Pad	Clutch Shaft Type: Long Key Shaft
Oil Amount: 300	Oil Type: SP15
Connector: 2 pin Metripack truck/15300002	System: R-134a

**Part No: 1000381584**



Voltage: 12V	Material: Aluminum
Mount: SD7 Direct Short	Model Type: SD7H15
Clutch Size: 7 1/16" (180mm)	OEM Model No.: 4326
Cylinder Head Type: WV	No. of Grooves: PV8
Cylinder Head Port Angle: Horizontal	Clutch Assembly No.: Not serviced
Cylinder Head Size/Thread: O-Ring	Clutch Shaft Type: Long Key Shaft
Oil Amount: 300	Oil Type: SP15
Connector: 2 Wire Female Packard #15300002	System: R-134a

**Part No: 1000537625**



Voltage: 12V	Material: Aluminum
Mount: SD7 Direct GM	Model Type: SD7H15HD
Clutch Size: 4 11/16" (119mm)	OEM Model No.: 4362, 4796
Cylinder Head Type: GT	No. of Grooves: PV7
Cylinder Head Port Angle: Vertical	Clutch Assembly No.: 4796-9930
Cylinder Head Size/Thread: O-Ring Compression	Clutch Shaft Type: Involute Spline 13 X 24 X 0.5
Oil Amount: 240	Oil Type: SP15
Connector: 2 Wire Female Packard #12177071	System: R-134a



## Sanden Style Compressors

**Part No: 1001202145**



Voltage: 12V	Material: Aluminum
Mount: SD7 Direct Long	Model Type: SD7H15
Clutch Size: 4 11/16" (119mm)	OEM Model No.: 4405
Cylinder Head Type: JDA	No. of Grooves: PV10
Cylinder Head Port Angle: Vertical	Clutch Assembly No.: 4405-9920
Cylinder Head Size/Thread: 3/4 x 7/8	Clutch Shaft Type: Long Key Shaft
Oil Amount: 300	Oil Type: SP15
Connector: 1 Wire Male Packard #12015791 w/ Diode	System: R-134a

**Part No: 1001202155**



Voltage: 12V	Material: Aluminum
Mount: SD7 Direct Long	Model Type: SD7H15
Clutch Size: 4 11/16" (119mm)	OEM Model No.: 4720
Cylinder Head Type: 4347	No. of Grooves: PV8
Cylinder Head Port Angle: Vertical	Clutch Assembly No.: 4705-9930
Cylinder Head Size/Thread: O-Ring Compression	Clutch Shaft Type: Long Key Shaft
Oil Amount: 300	Oil Type: SP15
Connector: 2 Wire Female Packard #15300002	System: R-134a

**Part No: 1001202157**



Voltage: 12V	Material: Aluminum
Mount: SD7 Direct Long	Model Type: SD7H15
Clutch Size: 4 11/16" (119mm)	OEM Model No.: 4800
Cylinder Head Type: GV	No. of Grooves: PV8
Cylinder Head Port Angle: Horizontal	Clutch Assembly No.: 4672-9931
Cylinder Head Size/Thread: O-Ring	Clutch Shaft Type: Long Key Shaft
Oil Amount: 300	Oil Type: SP15
Connector: 1 Wire Male Packard #12015791 w/ Diode	System: R-134a

**Part No: 1001249654**



Voltage: 24V	Material: Aluminum
Mount: Ear 8 Long	Model Type: SD7H15
Clutch Size: 5 3/16" (132mm)	OEM Model No.: 4271, 4271U1
Cylinder Head Type: JD	No. of Grooves: A2
Cylinder Head Port Angle: Vertical	Clutch Assembly No.: 4435-9931
Cylinder Head Size/Thread: 3/4 x 7/8	Clutch Shaft Type: Long Key Shaft
Oil Amount: 200	Oil Type: SP15
Connector: 1 Wire Male Packard #12015791 W/ Bullet Jumper	System: R-134a

**Part No: 1001249691**



Voltage: 12V	Material: Aluminum
Mount: Direct TDM/SDM	Model Type: SD7H15SPRHD
Clutch Size: 4 11/16" (119mm)	OEM Model No.: 4314
Cylinder Head Type: 480	No. of Grooves: PV8
Cylinder Head Port Angle: Vertical	Clutch Assembly No.: 4368-9931
Cylinder Head Size/Thread: Pad @ 90	Clutch Shaft Type: Long Key Shaft
Oil Amount: 300	Oil Type: SP15
Connector: 2 Wire Male Packard	System: R-134a

**Part No: 1001250650**



Voltage: 12V	Material: Aluminum
Mount: SD7 Direct Long	Model Type: SD7H15
Clutch Size: 4 11/16" (119mm)	OEM Model No.: 4334
Cylinder Head Type: 4400	No. of Grooves: PV8
Cylinder Head Port Angle: Vertical	Clutch Assembly No.: Not serviced
Cylinder Head Size/Thread: O-Ring Compression/ Flat Washer	Clutch Shaft Type: Long Key Shaft
Oil Amount: 300	Oil Type: SP15
Connector: 2 Wire Female Packard #12177071	System: R-134a

**Part No: 1001255095**



Voltage: 24V	Material: Aluminum
Mount: Ear 8 Long	Model Type: SD7H15SHD
Clutch Size: 5 7/16" (138mm)	OEM Model No.: 4604, 4468
Cylinder Head Type: GK	No. of Grooves: A1
Cylinder Head Port Angle: Horizontal	Clutch Assembly No.: 4604-9931, 6590-6010
Cylinder Head Size/Thread: Pad @ H	Clutch Shaft Type: Long Key Shaft
Oil Amount: 300	Oil Type: SP15
Connector: 2 Wire Deutsch DT04-2P-E	System: R-134a

**Part No: 1001256639**



Voltage: 12V	Material: Aluminum
Mount: Ear 8 Long	Model Type: SD7H15
Clutch Size: 6" (152mm)	OEM Model No.: 4478
Cylinder Head Type: MD	No. of Grooves: A2
Cylinder Head Port Angle: Horizontal	Clutch Assembly No.: 6591-6010
Cylinder Head Size/Thread: 1 x 14	Clutch Shaft Type: Long Key Shaft
Oil Amount: 285	Oil Type: SP15
Connector: 1 Wire Female Packard #12010996	System: R-134a

**Part No: 1001256651**



Voltage: 24V	Material: Aluminum
Mount: Ear 8 Long	Model Type: SD7H15
Clutch Size: 6" (152mm)	OEM Model No.: 4479
Cylinder Head Type: GK	No. of Grooves: A1
Cylinder Head Port Angle: Horizontal	Clutch Assembly No.: 4640-9932
Cylinder Head Size/Thread: O-Ring	Clutch Shaft Type: Long Key Shaft
Oil Amount: 300	Oil Type: SP15
Connector: 2 Wire Deutsch #DT04-2P-E (005, EP04, EP05)	System: R-134a

COMPRESSORS



800.499.6849 • shop.bergstrominc.com

2

**Sanden Style Compressors**

COMPRESSORS



**Part No: 1001256654**



Voltage: 12V	Material: Aluminum
Mount: SD7 Direct Long	Model Type: SD7H15
Clutch Size: 6" (152mm)	OEM Model No.: 4499, 4608
Cylinder Head Type: MD	No. of Grooves: PV8
Cylinder Head Port Angle: Horizontal	Clutch Assembly No.: 4768-9933
Cylinder Head Size/Thread: 1 x 14	Clutch Shaft Type: Long Key Shaft
Oil Amount: 285	Oil Type: SP15
Connector: 1 Wire Female Packard #12010996	System: R-134a

**Part No: 1001321603**



Voltage: 12V	Material: Aluminum
Mount: SD7 Direct Short	Model Type: SD7H15
Clutch Size: 4 15/16" (125mm)	OEM Model No.: 4018
Cylinder Head Type: 4018	No. of Grooves: PV10
Cylinder Head Port Angle: Vertical	Clutch Assembly No.: Not serviced
Cylinder Head Size/Thread: O-Ring Compression	Clutch Shaft Type: Long Key Shaft
Oil Amount: 300	Oil Type: SP15
Connector: 2 Wire Female Packard #15300002	System: R-134a

**Part No: 1001321790**



Voltage: 24V	Material: Aluminum
Mount: Ear 8 Long	Model Type: SD7H15
Clutch Size: 4 15/16" (125mm)	OEM Model No.: 4093
Cylinder Head Type: JD	No. of Grooves: A2
Cylinder Head Port Angle: Vertical	Clutch Assembly No.: 6511-6310
Cylinder Head Size/Thread: 3/4 x 7/8	Clutch Shaft Type: Long Key Shaft
Oil Amount: 200	Oil Type: SP15
Connector: 1 Wire Male Packard #12015791 w/ Diode	System: R-134a

**Part No: 1001321949**



Voltage: 12V	Material: Aluminum
Mount: SD7 Direct Short	Model Type: SD7H15
Clutch Size: 6 5/16" (160mm)	OEM Model No.: 4099
Cylinder Head Type: 480	No. of Grooves: PV8
Cylinder Head Port Angle: Vertical	Clutch Assembly No.: 4099-9931
Cylinder Head Size/Thread: O-Ring Compression	Clutch Shaft Type: Long Key Shaft
Oil Amount: 300	Oil Type: SP15
Connector: 2 Wire Female Packard #15300002	System: R-134a

**Part No: 1001322225**



Voltage: 24V	Material: Aluminum
Mount: Ear 8 Long	Model Type: SD7H15
Clutch Size: 5 1/8" (130mm)	OEM Model No.: 4487
Cylinder Head Type: GK	No. of Grooves: PV8
Cylinder Head Port Angle: Horizontal	Clutch Assembly No.: 4726-9931
Cylinder Head Size/Thread: O-Ring	Clutch Shaft Type: Long Key Shaft
Oil Amount: 300	Oil Type: SP15
Connector: 2 Wire Deutsch #DT04-2P-E (005, EP04, EP05)	System: R-134a

**Part No: 1001322595**



Voltage: 12V	Material: Aluminum
Mount: SD7 Direct Long	Model Type: SD7H15
Clutch Size: 4 11/16" (119mm)	OEM Model No.: 4121, 4121U
Cylinder Head Type: KF	No. of Grooves: PV8
Cylinder Head Port Angle: Horizontal	Clutch Assembly No.: 4545-9932
Cylinder Head Size/Thread: 1 1/16 X 3/4	Clutch Shaft Type: Long Key Shaft
Oil Amount: 270	Oil Type: SP15
Connector: 2 Wire Male Packard #12015792	System: R-134a

**Part No: 1001322640**



Voltage: 12V	Material: Aluminum
Mount: Ear 8 Long	Model Type: SD7H15
Clutch Size: 5 7/16" (138mm)	OEM Model No.: 4596, 4597
Cylinder Head Type: JD	No. of Grooves: A1
Cylinder Head Port Angle: Horizontal	Clutch Assembly No.: 6506-6110
Cylinder Head Size/Thread: O-Ring	Clutch Shaft Type: Long Key Shaft
Oil Amount: 135	Oil Type: SP15
Connector: 2 Wire Deutsch #DT04-2P-E (005, EP04, EP05)	System: R-134a

**Part No: 1001374173**



Voltage: 24V	Model Type: SD7H15
Mount: SD7 Direct Short	OEM Model No.: 8112
Clutch Size: 5 3/16" (132mm)	No. of Grooves: PV8
Oil Amount: 240	Clutch Assembly No.: Not serviced
Connector: 1 Wire Bullet Volvo 1308436	Clutch Shaft Type: Long Key Shaft
System: R-134a	Oil Type: SP15

**Part No: 1001384786**



Voltage: 12V	Material: Aluminum
Mount: Direct	Model Type: SD7H15 Enhanced
Clutch Size: 5 3/16" (132mm)	OEM Model No.: 4855
Cylinder Head Type: GV	No. of Grooves: PV8
Cylinder Head Port Angle: Horizontal	Clutch Assembly No.: 6785-6210
Cylinder Head Size/Thread: GM Pad Metric	Clutch Shaft Type: Long Key Shaft
Oil Amount: 300	Oil Type: SP15
Connector: 2 Wire Deutsch DT04-2P-EP05	System: R-134a

## Sanden Style Compressors

2

**Part No: 1001889661**



Voltage: 12V	Model Type: SD7H15
Mount: Direct	OEM Model No.: 4577
Clutch Size: 4 31/32" (126mm)	No. of Grooves: PV7
Cylinder Head Port Angle: Horizontal	Clutch Shaft Type: Long Key Shaft
Cylinder Head Size/Thread: Pad	Connector: Packard # 12048159
Oil Amount: 300	

**Part No: 1001889690**

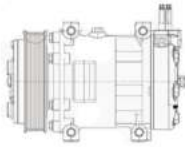


Voltage: 12V	Model Type: SD7H15
Mount: Direct	OEM Model No.: 4148
Clutch Size: 5 1/8" (130mm)	No. of Grooves: PV8
Cylinder Head Port Angle: Horizontal	Oil Amount: 300
Cylinder Head Size/Thread: Pad	Connector: Packard # 12048159

**Part No: 1001889700**



**Part No: 1002411890**



Voltage: 12V	Model Type: SD7H15
Mount: SD7 Direct Long	OEM Model No.: 4803
Clutch Size: 4 7/8" (124mm)	No. of Grooves: PV6
Cylinder Head Type: MJA	Oil Type: SP-15
Cylinder Head Port Angle: Vertical	System: R134a
Cylinder Head Size/Thread: PAD	Connector: 2 Wire Female Packard/ 15300002
Oil Amount: 300	

**Part No: B402842**



Voltage: 24V	Material: Aluminum
Mount: Ear 8 Long	Model Type: SD7H15
Clutch Size: 4 15/16" (125mm)	OEM Model No.: 4652
Cylinder Head Type: JD	No. of Grooves: A2
Cylinder Head Port Angle: Vertical	Clutch Assembly No.: 6511-6310
Cylinder Head Size/Thread: 3/4 x 7/8	Clutch Shaft Type: Long Key Shaft
Oil Amount: 270	Oil Type: SP15
Connector: 1 Wire Male Packard #12015791 w/ Diode	System: R-134a

COMPRESSORS



800.499.6849 • shop.bergstrominc.com

2

**Sanden Style Compressors**

**R-134a Compressors - Aftermarket Version**

COMPRESSORS



<b>Part No: 1000139472</b>	
Voltage: 12V	Material: Aluminum
Mount: Direct ADM/LDM	Model Type: SD7H15HD
Clutch Size: 4 15/16" (125mm)	OEM Model No.: 4731, 4424, 4039
Cylinder Head Type: GSA/GH	No. of Grooves: PV6
Cylinder Head Port Angle: Vertical/Horizontal	Clutch Assembly No.: 4756-9931, 4424-9931
Cylinder Head Size/Thread: Pad	Clutch Shaft Type: Involute Spline 13 X 24 X 0.5
Oil Amount: 300	Oil Type: SP15
Connector: 2 pin Metripack Truck/15300002	System: R-134a



<b>Part No: 1000139553</b>	
Voltage: 12V	Model Type: SD7H15HD
Mount: Ear 8 Long	OEM Model No.: 4716, 4490
Clutch Size: 5 1/8" (130mm)	No. of Grooves: PV8
Cylinder Head Type: WV	Clutch Assembly No.: 4700-9931
Cylinder Head Port Angle: Horizontal	Clutch Shaft Type: Long Key Shaft
Cylinder Head Size/Thread: 2 Pad @ 45 Offset	Oil Type: SP15
Oil Amount: 300	System: R-134a
Connector: 2 Wire Female Packard 15300002	



<b>Part No: 1000139585</b>	
Voltage: 12V	Material: Aluminum
Mount: Direct ADM/LDM	Model Type: SD7H15HD
Clutch Size: 5 3/16" (132mm)	OEM Model No.: 4626, 4699, 4780
Cylinder Head Type: JD	No. of Grooves: A2
Cylinder Head Port Angle: Vertical	Clutch Assembly No.: 4780-9931, 4694-9931
Cylinder Head Size/Thread: 3/4 x 7/8	Clutch Shaft Type: Long Key Shaft
Oil Amount: 300	Oil Type: SP15
Connector: 1 Wire Male Packard/15300002	System: R-134a



<b>Part No: 1000164653</b>	
Voltage: 12V	Material: Aluminum
Mount: Direct ADM/LDM	Model Type: SD7H15HD
Clutch Size: 4 11/16" (119mm)	OEM Model No.: 4420
Cylinder Head Type: GV	No. of Grooves: PV8
Cylinder Head Port Angle: Horizontal	Clutch Assembly No.: 4420-9931
Cylinder Head Size/Thread: GM Pad Metric	Clutch Shaft Type: Long Key Shaft
Oil Amount: 200	Oil Type: SP15
Connector: 1 Wire Male Packard	System: R-134a



<b>Part No: 1000164828</b>	
Voltage: 12V	Material: Aluminum
Mount: EAR	Model Type: SD7H15HD
Clutch Size: 5 13/64" (132mm)	OEM Model No.: 4434, 4513, 4525, 4529, 6626, 6630, 6631, 6642, 6677, 6678
Cylinder Head Type: GV	No. of Grooves: A2
Cylinder Head Port Angle: Horizontal	Clutch Assembly No.: 4434-9931
Cylinder Head Size/Thread: GM Pad Metric	Clutch Shaft Type: Long Key Shaft
Oil Amount: 200	Oil Type: SP15
Connector: 1 Wire Male Packard	System: R-134a



<b>Part No: 1000164831</b>	
Voltage: 24V	Material: Aluminum
Mount: EAR	Model Type: SD7H15HD
Clutch Size: 5 13/64" (132mm)	OEM Model No.: 4435, 4521, 4527, 6627, 6632, 6667
Cylinder Head Type: GV	No. of Grooves: A2
Cylinder Head Port Angle: Horizontal	Clutch Assembly No.: 4435-9931
Cylinder Head Size/Thread: GM Pad Metric	Clutch Shaft Type: Long Key Shaft
Oil Amount: 200	Oil Type: SP15
Connector: 1 Wire Male Packard	System: R-134a

# Sanden Style Compressors

**Part No: 1000165210**



Voltage: 24V	Model Type: SD7H15HD
Mount: Ear 8 Long	OEM Model No.: 4741, 4862
Clutch Size: 4 15/16" (125mm)	No. of Grooves: A2
Cylinder Head Type: GV	Clutch Assembly No.: 4862-9931
Cylinder Head Port Angle: Horizontal	Clutch Shaft Type: Long Key Shaft
Cylinder Head Size/Thread: GM Pad Metric	Oil Type: SP15
Oil Amount: 200	System: R-134a
Connector: 1 Wire Male Packard #12015791 w/ Diode & Bullet Jumper	

**Part No: 1000165249**



Voltage: 12V	Material: Aluminum
Mount: EAR	Model Type: SD7H15HD
Clutch Size: 4 11/16" (119mm)	OEM Model No.: 4514, 4522, 4523, 4638, 4665, 4707, 4710, 4712, 4864, 6629, 6655, 8103
Cylinder Head Type: GV	No. of Grooves: PV8
Cylinder Head Port Angle: Horizontal	Clutch Assembly No.: 4420-9931
Cylinder Head Size/Thread: GM Pad Metric	Clutch Shaft Type: Long Key Shaft
Oil Amount: 200	Oil Type: SP15
Connector: 1 Wire Male Packard	
System: R-134a	

**Part No: 1000165306**



Voltage: 12V	Material: Aluminum
Mount: Ear 8 Long	Model Type: SD7H15HD
Clutch Size: 5 3/16" (132mm)	OEM Model No.: 4603, 4469
Cylinder Head Type: WJ	No. of Grooves: A2
Cylinder Head Port Angle: Vertical	Clutch Assembly No.: 6504-6010
Cylinder Head Size/Thread: Pad Top	Clutch Shaft Type: Long Key Shaft
Oil Amount: 300	Oil Type: SP15
Connector: 2 Wire Ford F5TB14A464	
System: R-134a	

**Part No: 1000223277**



Voltage: 24V	Material: Aluminum
Mount: Ear 8 Long	Model Type: SD5H14HD
Clutch Size: 5 3/16" (132mm)	OEM Model No.: 4506, 4507, 6665
Cylinder Head Type: FL	No. of Grooves: A2
Cylinder Head Port Angle: Vertical	Clutch Assembly No.: 6514-6210
Cylinder Head Size/Thread: 3/4 x 7/8	Clutch Shaft Type: Long Key Shaft
Oil Amount: 240	Oil Type: SP15
Connector: 1 Wire Male Bullet	
System: R-134a	

**Part No: 1000223285**



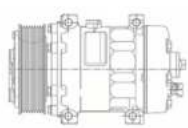
Voltage: 12V	Material: Aluminum
Mount: Ear 8 Long	Model Type: SD5H14HD
Clutch Size: 5 3/16" (132mm)	OEM Model No.: 4509, 4510, 6664
Cylinder Head Type: FL	No. of Grooves: A2
Cylinder Head Port Angle: Vertical	Clutch Assembly No.: 6514-6010, 6519-6010, 6514-6210
Cylinder Head Size/Thread: 3/4 x 7/8	Clutch Shaft Type: Long Key Shaft
Oil Amount: 210	Oil Type: SP20
Connector: 1 Wire Male Bullet	
System: R-134a	

**Part No: 1000322061**



Voltage: 12V	Material: Aluminum
Mount: Direct ADM/LDM	Model Type: SD7H15HD
Clutch Size: 4 11/16" (119mm)	OEM Model No.: 4509
Cylinder Head Type: WJ	No. of Grooves: PV8
Cylinder Head Port Angle: Vertical	Clutch Assembly No.: 4417-9931, 4420-9931
Cylinder Head Size/Thread: Pad Top	Clutch Shaft Type: Long Key Shaft
Oil Amount: 300	Oil Type: SP15
Connector: 2 Wire Female Packard #15300002	
System: R-134a	

**Part No: 1000449225**



Voltage: 12V	Model Type: SD7H15HD
Mount: Direct ADM/LDM	OEM Model No.: 4028
Clutch Size: 4 11/16" (119mm)	No. of Grooves: PV8
Cylinder Head Type: GV	Clutch Assembly No.: 4420-9931
Cylinder Head Port Angle: Horizontal	Clutch Shaft Type: Long Key Shaft
Cylinder Head Size/Thread: GM Pad Metric	Oil Type: SP15
Oil Amount: 250	System: R-134a
Connector: 1 Wire Male Packard #12015791 w/ Diode	

**Part No: 1000451085**



Voltage: 12V	Material: Aluminum
Mount: SD7 Direct Long	Model Type: SD7H15HD
Clutch Size: 4 11/16" (119mm)	OEM Model No.: 4418
Cylinder Head Type: 441	No. of Grooves: PV8
Cylinder Head Port Angle: Vertical	Clutch Assembly No.: 4417-9931
Cylinder Head Size/Thread: O-Ring Compression	Clutch Shaft Type: Long Key Shaft
Oil Amount: 300	Oil Type: SP15
Connector: 2 Wire Female Packard #15300002	
System: R-134a	

**Part No: 1000600468**



Voltage: 12V	Material: Aluminum
Mount: SD7 Direct Long	Model Type: SD7H15
Clutch Size: 4 11/16" (119mm)	OEM Model No.: 4084
Cylinder Head Type: 441	No. of Grooves: PV8
Cylinder Head Port Angle: Horizontal	Clutch Assembly No.: 4368-9931
Cylinder Head Size/Thread: 1 x 14	Clutch Shaft Type: Long Key Shaft
Oil Amount: 300	Oil Type: SP15
Connector: 2 Wire Female Packard #15300002	
System: R-134a	

COMPRESSORS



800.499.6849 • shop.bergstrominc.com

2

**Sanden Style Compressors**

COMPRESSORS



**Part No: 1000870952**



Voltage: 12V	Material: Aluminum
Mount: SD7 Direct Long	Model Type: SD7H15
Clutch Size: 119	OEM Model No.: 4672
Cylinder Head Type: GV	No. of Grooves: PV8
Cylinder Head Port Angle: Horizontal	Clutch Assembly No.: 4672-9931
Cylinder Head Size/Thread: O-Ring	Clutch Shaft Type: Long Key Shaft
Oil Amount: 240	Oil Type: PAG 46
Connector: 1 Wire Male Packard #12015791	System: R-134a

**Part No: 1000872619**



Voltage: 12V	Material: Aluminum
Mount: Direct ADM/LDM	Model Type: SD7H15 Enhanced
Clutch Size: 4 11/16" (119mm)	OEM Model No.: 4347
Cylinder Head Type: 4347	No. of Grooves: PV10
Cylinder Head Port Angle: Vertical	Clutch Assembly No.: 4347-9930
Cylinder Head Size/Thread: Pad @ 45	Clutch Shaft Type: Long Key Shaft
Oil Amount: 300	Oil Type: SP15
Connector: 2 pin Metripack truck	System: R-134a

**Part No: 1000872633**



Voltage: 12V	Material: Aluminum
Mount: Direct	Model Type: SD7H15SPRHD
Clutch Size: 7 3/32" (180mm)	OEM Model No.: 4326
Cylinder Head Type: WV	No. of Grooves: PV8
Cylinder Head Port Angle: Horizontal	Clutch Assembly No.: Not serviced
Cylinder Head Size/Thread: O-Ring	Clutch Shaft Type: Long Key Shaft
Oil Amount: 300	Oil Type: SP15
Connector: 15300002	System: R-134a

**Part No: 1000872650**



Voltage: 12V	Material: Aluminum
Mount: Direct Short	Model Type: SD7H15SPRHD/SD7H15
Clutch Size: 5 1/2" (140mm)	OEM Model No.: 4108, 4802, 4108U
Cylinder Head Type: 480	No. of Grooves: PV8
Cylinder Head Port Angle: Vertical	Clutch Assembly No.: 4802-9931
Cylinder Head Size/Thread: O-Ring Compression	Clutch Shaft Type: Long Key Shaft
Oil Amount: 300	Oil Type: SP15
Connector: 15300002	System: R-134a

**Part No: 1000872711**



Voltage: 12V	Material: Aluminum
Mount: Direct Short	Model Type: SD7H15SPRHD
Clutch Size: 5 3/64" (128mm)/5 1/8" (130mm)	OEM Model No.: 4117, 4286, 2134, 9570
Cylinder Head Type: WV	No. of Grooves: PV8
Cylinder Head Port Angle: Horizontal	Clutch Assembly No.: Not serviced
Cylinder Head Size/Thread: O-Ring	Clutch Shaft Type: Long Key Shaft
Oil Amount: 300	Oil Type: SP15
Connector: 15300002	System: R-134a

**Part No: 1000873174**



Voltage: 12V	Material: Aluminum
Mount: Direct Short	Model Type: SD7H15SPRHD
Clutch Size: 4 15/16" (125mm)	OEM Model No.: 4285, 4120U, 4120
Cylinder Head Type: WV	No. of Grooves: PV8
Cylinder Head Port Angle: Horizontal	Clutch Assembly No.: 4376-9931
Cylinder Head Size/Thread: O-Ring	Clutch Shaft Type: Long Key Shaft
Oil Amount: 300	Oil Type: SP15
Connector: 15300002	System: R-134a

**Part No: 1000873181**



Voltage: 12V	Material: Aluminum
Mount: SD7 Direct Short	Model Type: SD7H15
Clutch Size: 4 31/32" (126mm)	OEM Model No.: 4384, 4384U
	No. of Grooves: PV10
Cylinder Head Port Angle: Vertical	Clutch Assembly No.: 4369-9931
Cylinder Head Size/Thread: O-Ring Compression	Clutch Shaft Type: Long Key Shaft
Oil Amount: 300	Oil Type: SP15
Connector: 2 Wire Female Packard #15300002	System: R-134a

**Part No: 1000969524**



Voltage: 12V	Material: Aluminum
Mount: Direct ADM/LDM	Model Type: SN7H15D
Clutch Size: 4 15/16" (125mm)	OEM Model No.: 4419
Cylinder Head Type: GV	No. of Grooves: A2
Cylinder Head Port Angle: Horizontal	Clutch Shaft Type: Long Key Shaft
Cylinder Head Size/Thread: Pad	Oil Type: PAG46
Oil Amount: 200	System: R-134a
Connector: 12015791	

**Part No: 1001889674**



Voltage: 12V	Model Type: SD7H15
Mount: Direct	OEM Model No.: 4577
Clutch Size: 4 31/32" (126mm)	No. of Grooves: PV7
Cylinder Head Port Angle: Horizontal	Clutch Shaft Type: Long Key Shaft
Cylinder Head Size/Thread: Pad	Connector: Packard # 12048159
Oil Amount: 300	

## Sanden Style Compressors

2

**Part No: 1001932834**



Voltage: 12V	Material: Aluminum
Mount: SD7 Direct Long	Model Type: SD7H15HD/SD7H15SPRHD
Clutch Size: 4 15/16" (125mm)	OEM Model No.: 4757, 4891, 4494
Cylinder Head Type: WV	No. of Grooves: PV6
Cylinder Head Port Angle: Horizontal	Clutch Assembly No.: 4757-9931, 4891-9931
Cylinder Head Size/Thread: 2 Pad @ 45 Offset	Clutch Shaft Type: Involute Spline 13 X 24 X 0.5
Oil Amount: 300	Oil Type: SP15
Connector: 2 Wire Female Packard/15300002	System: R-134a

**Part No: 1002026901**



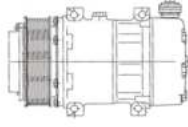
Voltage: 12V	Material: Aluminum
Mount: Direct ADM/LDM, TDM/SDM	Model Type: SD7H15HD
Clutch Size: 5 1/8" (130mm)	OEM Model No.: 4733, 4892, 4493
Cylinder Head Type: WV	No. of Grooves: PV8
Cylinder Head Port Angle: Horizontal	Clutch Assembly No.: 4733-9931, 4895-9931, 6786-6110
Cylinder Head Size/Thread: 2 Pad @ 45 Offset	Clutch Shaft Type: Involute Spline 13 X 24 X 0.5
Oil Amount: 300	Oil Type: SP15
Connector: 2 Wire Female Packard/15300002	System: R-134a

**Part No: 1002362530**



Voltage: 12V	Material: Aluminum
Mount: SD7 Direct Long	Model Type: SD7H15E
Clutch Size: 4 11/16" (119mm)	OEM Model No.: 4720
Cylinder Head Port Angle: Vertical	No. of Grooves: PV8
Cylinder Head Size/Thread: Pad	Oil Type: PAG 46
Oil Amount: 300	System: R-134
Connector: 2 Wire Female Packard/ 15300002	

**Part No: 1002396857**



Voltage: 12V	Material: Aluminum
Mount: Direct ADM/LDM, TDM/SDM	Model Type: SD7H15SPRHD
Clutch Size: 4 7/8" (124mm)	OEM Model No.: 4398, 4081
Cylinder Head Type: GSA	No. of Grooves: PV8
Cylinder Head Port Angle: Vertical	Clutch Assembly No.: 4368-9931
Cylinder Head Size/Thread: Pad	Clutch Shaft Type: Long Key Shaft
Oil Amount: 300	Oil Type: SP15
Connector: 15300002	System: R-134a

COMPRESSORS



800.499.6849 • shop.bergstrominc.com

2

# Sanden Style Compressors

## Head Types

**STYLE B**



Vertical Flare  
3/4 x 7/8

**STYLE C**



Vertical Tube O-Ring  
1 x 14

**STYLE FC**



Vertical Standard  
Tube O-Ring 3/4 x 7/8

**STYLE FG**



**STYLE FL**



Vertical O-Ring  
3/4 x 7/8

**STYLE GWA**



Horizontal Pad Type

**STYLE JD**



Vertical O-Ring  
3/4 x 7/8

**STYLE JDA**

**STYLE K**



Horizontal O-Ring  
3/4 x 7/8

**STYLE KC**

**STYLE M**



Horizontal Tube O-Ring  
1 x 14





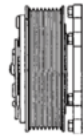


COMPRESSORS





## Sanden Style Compressors

2

Sanden Clutch Variations		
One Wire	Two Wire	
Double Groove 125mm 132mm	Double Groove 125mm 132mm 152mm	
Single Variable Groove 158mm		
Single Offset Groove 122mm 138mm		
7 Poly Groove 119mm	7 Poly Groove 119mm 130mm	
8 Poly Groove 119mm 133mm	8 Poly Groove 119mm 130mm 132mm 152mm	
6 Poly Groove 119mm	6 Poly Groove 125mm	
10 Poly Groove 125mm		

COMPRESSORS



800.499.6849 • [shop.bergstrominc.com](http://shop.bergstrominc.com)

169

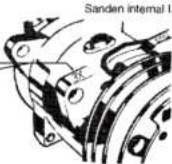
2

## Sanden Style Compressors

### Manufacturing Date Codes

Manufacturing date codes are stamped on the mounting ear or boss at the front left of the compressor as seen when facing the clutch, with oil plug or adaptor up.

Year of manufacture (first digit): \_\_\_\_\_  
 (i.e. 3 indicates manufacture in 1993)  
 Month of manufacture (last digit): \_\_\_\_\_  
 Jan. - Sept.: 1 - 9  
 Oct.: X  
 Nov.: Y  
 Dec.: Z



**Stamped on Compressor**  
*Manufactured in USA Only*

### Compressor Nomenclature

**Identification**

**R-12 Compressors**

S D - 7 0 9

Sanden reciprocating wobble plate compressors \_\_\_\_\_  
 Number of cylinders \_\_\_\_\_  
 Approximate displacement, in cubic inches \_\_\_\_\_

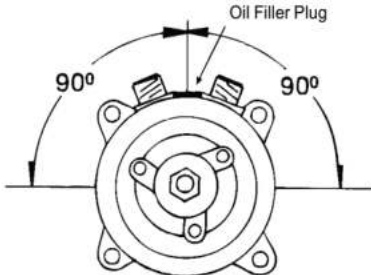
**R-134a Compressors**

S D 7 H 1 5 H D

Sanden reciprocating wobble plate compressors \_\_\_\_\_  
 Number of cylinders \_\_\_\_\_  
 Port location (H if on head, B if on block) \_\_\_\_\_  
 Approximate displacement, in cubic centimeters (divided by 10) \_\_\_\_\_  
 Heavy-duty (HD) or Sealed Heavy-duty (SHD) clutch \_\_\_\_\_

### Assembly Mounting Angles

*All Sanden R-134a Compressors*



Oil Filler Plug

90°      90°

### Label Configuration

Manufacturing location code

00-06 Japan \_\_\_\_\_  
 70-79 USA \_\_\_\_\_  
 80-89 Singapore \_\_\_\_\_

SD7H15

Serial No:  
 123456 0-1 1 70

Serial Number \_\_\_\_\_  
 Month of manufacture (1 - 12) \_\_\_\_\_  
 Year of manufacture (last digit) \_\_\_\_\_

COMPRESSORS



### Sanden R-134a Model Specifications

Model	Refrigerant	Displacement cubic inch (cc)	Typical Weight, lb. (kg.)			Standard Oil Charge			Rotation
			Compressor	Clutch	Assembly	Oil Type	System Type	Amount fl. oz. (cc)	
SD5H14	R-134a	8.4 (138)	11.2 (5.1)	6.0 (2.7)	17.2 (7.8)	SP-20	TXV	7.2±0.5 (210±15)	Either way
							CCOT	No Standard	
SD7B10	R-134a	6.1 (100)	5.9 (2.7)	3.3 (1.5)	9.2 (4.2)	SP-10	TXV	No Standard	CW only
SD7H13	R-134a	7.9 (129)	9.3 (4.2)	4.6 (2.1)	13.9 (6.3)	SP-20	TXV	4.6±0.5 (135±15)	CW only
SD7H15/HD	R-134a	9.5 (155)	9.9 (4.5)	5.3 (2.4)	15.2 (6.9)	SP-20	TXV	4.6±0.5 (135±15)	CW only
							CCOT	8.1±0.5 (240±15)	
SD7H15/SHD	R-134a	9.5 (155)	9.9 (4.5)	7.7 (3.5)	17.6 (8.0)	SP-20	TXV	4.6±0.5 (135±15)	CW only
							CCOT	8.1±0.5 (240±15)	

# Sanden Style Compressors

## R-12 to R-134a Model Conversions

Type	R-12	R-134a
5 Cylinder	SD-505	SD7B10/SD5H09
	SD-507	SD5H11
	SD-508	SD5H14
	SD-510	SD7H15HD & SD5H14HD
7 Cylinder	SDB-706	SD7B10
	SD-708	SD7H13
	SD-709	SD7H15
	SDB-709	SD7B15

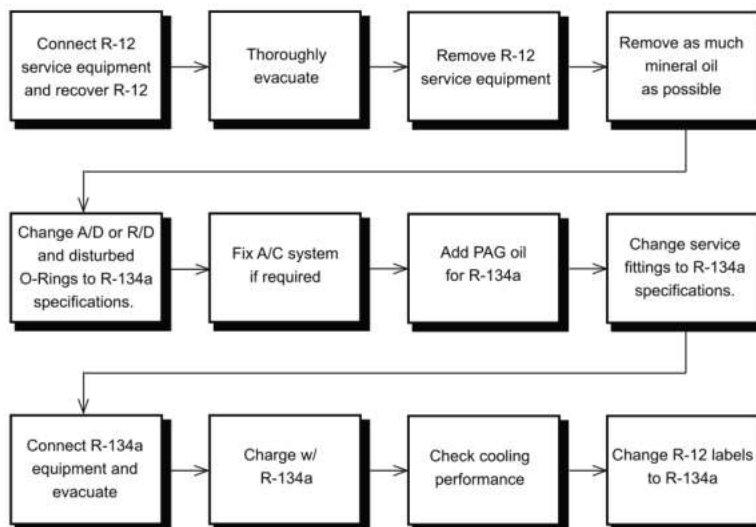
## Belt Tension

Grooves	Tension, lb. (kgf.)
A	121±5 (55±2)
B	132±5 (60±2)
C	132±5 (60±2)
M	132±5 (60±2)
PV4	132±5 (60±2)
PV6	198±5 (60±2)

## Speed Rating

Model	Clutch Type	Max RPM	
		Constant	Downshift
SD5H14	Std.	6,000	7,000
SD5H14	HD	4,000	6,000
SD7B10	All	6,000	7,000
SD7H13	All	6,000	8,000
SD7H15	Std.	6,000	8,000
SD7H15	HD	4,000	6,000
SD7H15	SHD	4,000	4,000

## R-12 to R-134a Conversion Procedure



800.499.6849 • [shop.bergstrominc.com](http://shop.bergstrominc.com)

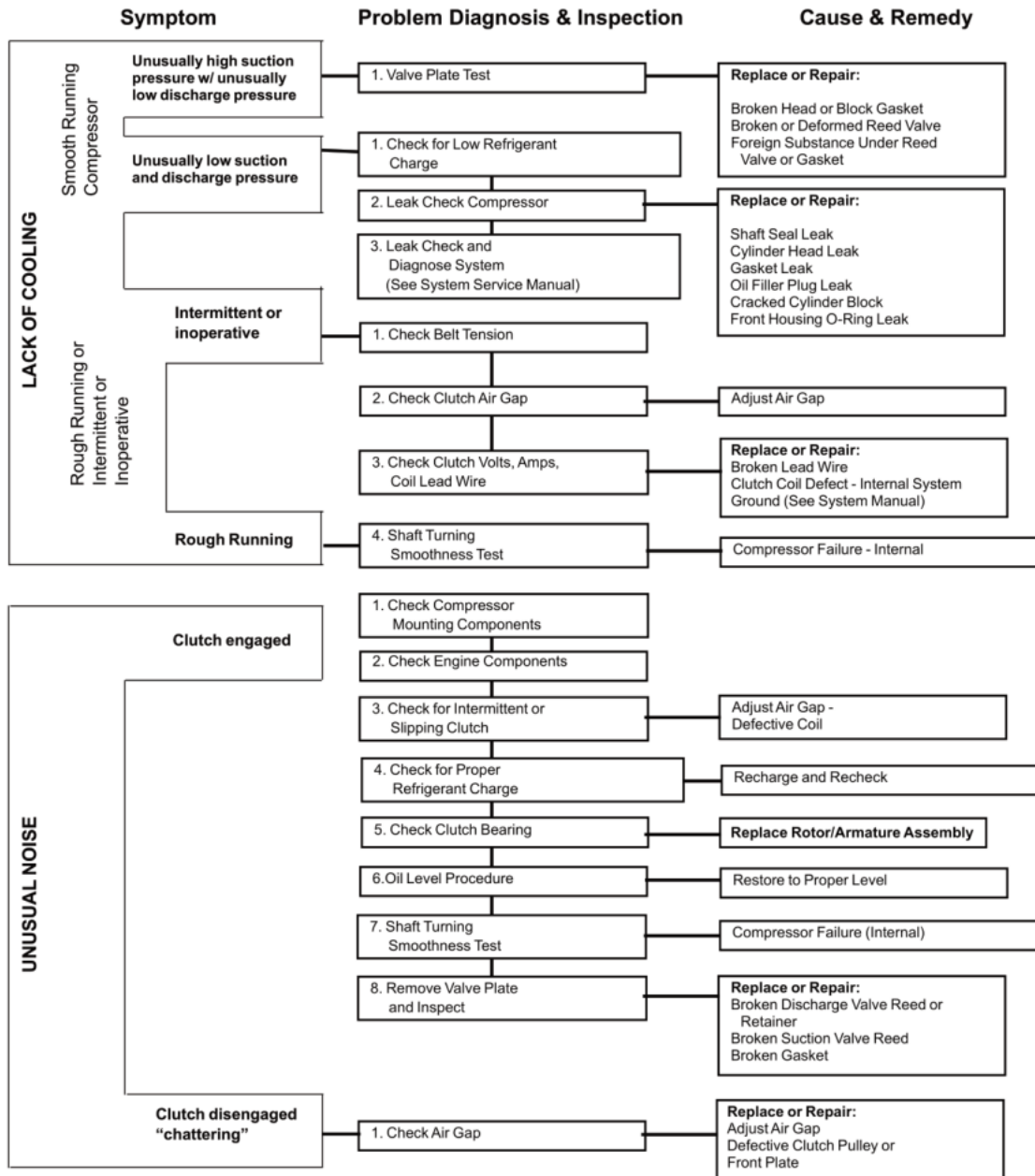


2

# Sanden Style Compressors

## Compressor Troubleshooting

COMPRESSORS



## Sanden Style Compressors

2

Sanden's new, flexible compressor series...

### WHAT IS THE FLX 7?

#### SD7H15 Durability

The FLX7 starts w/ the same SD7H15 compressor known throughout the automotive industry for its performance and durability.

#### FLX7 Features and Benefits

The FLX7 is an optimized version of the SD7H15 compressor which utilizes interchangeable parts to increase flexibility and adaptability to a variety of automotive applications. FLX7 compressors come standard w/ enhanced features previously found only on premium compressors. Features and benefits include:

- **Fewer Part Numbers.** The FLX 7 uses a common body and interchangeable parts to consolidate hundreds of existing part numbers into just 23 models.
- **Reduced Inventory Costs.** The consolidation of part numbers provides an opportunity to stock a single FLX 7 compressor instead of dozens of models.
- Fewer part numbers means the number of service parts required to inventory for field replacement is also decreased.
- **Expanded Product Configurations.** The FLX 7 allows for the creation of compressor configurations not previously offered by Sanden.
- Each FLX7 comes w/ both a Bullet and sealed Packard clutch lead Wire terminal for application flexibility
- For protection, every FLX7 comes equipped w/ a pressure relief valve to guard against abnormal pressure conditions. A field coil diode is also included to prevent electrical damage caused by voltage surges.
- The FLX7 uses a standard GM pad-style Cylinder head which receives a variety of port fittings ready to accommodate vertical and horizontal hose attachment. The port fittings are sold separately from the compressor, allowing the user to adapt a single compressor to fit many applications.
- Each port fitting is made of forged steel for superior strength vs. cast iron fittings. The fittings have threaded ports ready to receive an R12 or R134a charging valve.
- FLX7 models come w/ mineral oil for use w/ R12 systems or PAG oil for use w/ R134a systems eliminating the need for retrofitting.
- Heavy Duty rotor bearings to handle higher pressure / loads.
- A variety of clutch rotor configurations sealed heavy-duty and multi-groove rotors are available in 12 volt and 24 volt options:

125mm, A2	158mm, C1
119mm, PV10	119mm, PV8
122mm, A1 (Overhang)	119mm, PV8(SHD)
152mm, A2	138mm, A1

- Port Fitting sizes available:  
Horizontal 3/4 x 7/8  
Vertical 3/4 x 7/8  
Vertical 3/4 x 7/8 Flare  
Vertical 1 x 14  
Horizontal 1 x 14

#### FLX 7 FEATURES

##### FLX 7 features include:

- 7 Cylinders for reduced operating pulsations, reduced noise, and improved performance.
- Available in ear mount or direct mount configurations for flexibility and adaptability over a broad range of applications.
- Superior lubricating system for increased durability and high temperature performance.
- Heavy-duty bearing to handle higher pressures and loads.
- Shaft seal for greater leak protection and durability.

#### FLX 7 TYPICAL APPLICATIONS

##### FLX7 models are designed for use w/:

- Light Passenger Vehicles
- Medium Duty and Heavy Trucks
- Agricultural Vehicles
- Passenger Buses
- Construction Vehicles

COMPRESSORS



800.499.6849 • [shop.bergstrominc.com](http://shop.bergstrominc.com)

173

2

**Sanden Style Compressors**

**FLX 7 R-134a Replacement Matrix**

SANDEN PART NO	FLX 7	ADAPTER
4419	1000870952	NA
4420	1000164653	NA
4428	1000870952	540388
4434	1000164828	NA
4435	1000164831	540389
4506	1000164831	540389
4507	1000164831	540389
4508	NA	540389
4509	1000164828	540389
4510	1000164828	540389
4513	1000164828	NA
4514	1000165249	540389
4515	NA	540389
4516	NA	540389
4521	1000164831	NA
4522	1000165249	NA
4523	1000165249	NA
4525	1000164828	NA
4527	1000164831	NA
4529	1000164828	NA
4536	1000164828	540388
4537	1000164831	540388
4626	1000870952	540389
4627	NA	540389
4638	1000165249	NA
4641	1000164653	NA
4643	1000164828	NA
4646	1000164828	NA
4647	1000164828	540389
4652	1000165210	540389
4663	NA	540389
4664	1000164828	540389
4665	1000165249	540389
4666	1000164653	540388
4707	1000165249	NA
4709	NA	540388
4710	1000165249	NA
4711	1000165249	540389
4712	1000165249	540388
4741	1000165210	540389
4745		540389
4746	NA	540389
4765	NA	540388
4779	NA	540389
4864	1000165249	NA

**FLX 7 R-134a Replacement Matrix**

SANDEN PART NO	FLX 7	ADAPTER
6626	1000164828	540389
6627	1000164831	540389
6629	1000165249	540389
6630	1000164828	540388
6631	1000164828	NA
6632	1000164831	NA
6634	1000164831	540388
6642	1000164828	NA
6655	1000165249	NA
6656	NA	540389
6664	1000164828	540389
6665	1000164831	540389
6667	1000164831	NA
6672	NA	540389
6673	NA	540389
6675	1000165249	NA
6676	1000164828	540388
6677	1000164828	NA
6678	1000164828	NA
7822	1000165249	NA
8103	1000165249	540389
8104	1000164828	540389
8396	NA	NA

COMPRESSORS



## Sanden Style Compressors

2


### Sanden Flx 7 Replacement Adapter Fittings

**Part No: 540388**



Cylinder Head Port Angle: Horizontal
Cylinder Head Size/Thread: 3/4 x 7/8
Material: Aluminum
Model Type: FTG
OEM Model No: 4865-6340
System: R-134a

**Part No: 540389**



Cylinder Head Port Angle: Vertical
Cylinder Head Size/Thread: 3/4 x 7/8
Material: Aluminum
Model Type: FTG
OEM Model No: 4866-6340
System: R-134a



All Flx 7 compressors come w/ the sealed packard connector attached to the field coil, jumper Wire to convert field coil terminal to Bullet type is also included.

COMPRESSORS



2

Denso Compressors

Denso Compressors

R-134a Compressor Specifications - Denso

Denso No.	Model Type	Mount Type	Cylinder Head			Clutch					Oil Amount	Connector	Part No
			Type	Port Angle	Size/ Thread	Size	Groove	Voltage	Shaft Type	Assy No.			
22-65771-000	10S15C	Direct	0	Vertical	Pad	6 7/16" (163mm)	PV8	12V	SPLINED	-	130	2 Wire Metripack	1001400136
22-65771-000	10S15C	Direct	0	Vertical	Pad	6 7/16" (163.5mm)	PV8	12V	SPLINED	-	130	2 Wire Metripack	1001410921*
22-65772-000	10S15C	Direct	0	Vertical	Pad	6 5/16" (160mm)	PV6	12V	SPLINED	-	130	2 Wire Metripack	1001410931*
22-65770-000	10S15C	Direct	0	Vertical	Pad	5 1/2" (140mm)	PV8	12V	SPLINED	-	130	2 Wire Metripack	1001410935*

\* Aftermarket version compressor

R-134a Compressors - OEM Version

Part No: 1001400136



Voltage: 12V	Material: Aluminum
Mount: Direct	Model Type: 10S15C
Clutch Size: 6 7/16" (163mm)	OEM Model No.: 22-65771-000
	No. of Grooves: PV8
Cylinder Head Port Angle: Vertical	Clutch Assembly No.: Not serviced
Cylinder Head Size/ Thread: Pad	Clutch Shaft Type: SPLINED
Oil Amount: 130	Oil Type: PAG 46
Connector: 2 Wire Metripack	System: R-134a

R-134a Compressors - Aftermarket Version

Part No: 1001410921



Voltage: 12V	Material: Aluminum
Mount: Direct	Model Type: 10S15C
Clutch Size: 6 7/16" (163.5mm)	OEM Model No.: 22-65771-000, 22-65771-001
	No. of Grooves: PV8
Cylinder Head Port Angle: Vertical	Clutch Assembly No.: Not serviced
Cylinder Head Size/ Thread: Pad	Clutch Shaft Type: SPLINED
Oil Amount: 130	Oil Type: PAG 46
Connector: 2 Wire Metripack	System: R-134a

Part No: 1001410931



Voltage: 12V	Material: Aluminum
Mount: Direct	Model Type: 10S15C
Clutch Size: 6 5/16" (160mm)	OEM Model No.: 22-65772-000
	No. of Grooves: PV6
Cylinder Head Port Angle: Vertical	Clutch Assembly No.: Not serviced
Cylinder Head Size/ Thread: Pad	Clutch Shaft Type: SPLINED
Oil Amount: 130	Oil Type: PAG 46
Connector: 2 Wire Metripack	System: R-134a

Part No: 1001410935



Voltage: 12V	Material: Aluminum
Mount: Direct	Model Type: 10S15C
Clutch Size: 5 1/2" (140mm)	OEM Model No.: 22-65770-000
	No. of Grooves: PV8
Cylinder Head Port Angle: Vertical	Clutch Assembly No.: Not serviced
Cylinder Head Size/ Thread: Pad	Clutch Shaft Type: SPLINED
Oil Amount: 130	Oil Type: PAG 46
Connector: 2 Wire Metripack	System: R-134a

COMPRESSORS





## Seltec/Ice/Valeo Style Compressors

### Seltec/ICE/Valeo Compressors


Valeo No.	Model Type	Mount Type	Cylinder Head		Clutch					Oil Amount	Connector	Part No
			Port Angle	Size/Thread	Size	Groove	Voltage	Shaft Type	Assy No.			
<b>TM-15HD</b>												
103-25011	TM-15HD	Ear	Vertical	O-Ring	5 5/16" (135mm)	A2	12V	SPLINED	Not Serviceable	180	Bullet	<b>525856</b>
<b>TM-15HS</b>												
103-55011	TM-15HS	Ear	Vertical	3/4 X 7/8	5 5/16" (135mm)	A2	12V	SPLINED	Not Serviceable	150	Bullet	<b>525917</b>
103-55015	TM-15HS	Ear	Vertical	3/4 x 7/8	5 5/16" (135mm)	A2	24V	SPLINED	Not Serviceable	150	Bullet	<b>525952</b>
103-55057	TM-15HS	Ear	Monolithic	-	6 19/64" (160mm)	-	24V	SPLINED	Not Serviceable	150	Bullet	<b>B402827</b>
<b>TM-16HS</b>												
103-56011	TM-16HS	Ear	Vertical	3/4 x 7/8	5 5/16" (135mm)	A2	12V	SPLINED	Not Serviceable	180	Bullet	<b>525968</b>
103-56234	TM-16HS	Ear	-	Pad	4 11/16" (119mm)	PV8	12V	SPLINED	Not Serviceable	180	Bullet	<b>525979</b>
<b>TM-21HX</b>												
103-25077	TM-21HX	Direct	Horizontal	-	5 23/32" (145mm)	A2	12V	SPLINED	Not Serviceable	180	Bullet	<b>525858</b>
103-57244	TM-21HX	Direct	-	Pad	5 25/64" (137mm)	PV8	12V	SPLINED	Not Serviceable	180	Bullet	<b>526408</b>
103-67248	TM-21HX	Direct	-	Pad	5" (127mm)	PV8	12V	SPLINED	Not Serviceable	180	Packard #12V	<b>1001202121</b>
103-67260	TM-21HX	Direct	-	Pad	5" (127mm)	PV8	12V	SPLINED	Not Serviceable	180	Bullet	<b>1001202129</b>

\* Aftermarket version compressor

COMPRESSORS



### R-134a Compressors - Seltec/Ice/Valeo Style

Part No: 525856		Part No: 525858		Part No: 525917	
					
Material: Aluminum	Material: Aluminum	Material: Aluminum			
Model Type: TM-15HD	Model Type: TM-15HD	Model Type: TM-15HS			
Clutch Size: 5 5/16" (135mm)	Clutch Size: 5 23/32" (145mm)	Clutch Size: 5 5/16" (135mm)			
OEM Model No.: 103-25011	OEM Model No.: 103-25077	OEM Model No.: 103-55011			
Cylinder Head Type: Cast R-12V Charging Ports	Cylinder Head Port Angle: Horizontal	Cylinder Head Type: Cast			
No. of Grooves: A2	No. of Grooves: A2	No. of Grooves: A2			
Cylinder Head Port Angle: Vertical	Clutch Assembly No.: Not serviced	Cylinder Head Port Angle: Vertical			
Clutch Assembly No.: Not serviced	Clutch Assembly No.: Not serviced	Clutch Assembly No.: Not serviced			
Cylinder Head Size/Thread: O-Ring	Clutch Shaft Type: SPLINED	Cylinder Head Size/Thread: 3/4 X 7/8			
Clutch Shaft Type: SPLINED	Clutch Shaft Type: SPLINED	Clutch Shaft Type: SPLINED			
Oil Amount: 180	System: R-12	Oil Amount: 150			
Oil Type: Mineral		Oil Type: ZXL100			
Connector: Bullet		Connector: Bullet			
System: R-134a		System: R-134a			



800.499.6849 • shop.bergstrominc.com

2

Seltec/Ice/Valeo Style Compressors

COMPRESSORS



**Part No: 525952**



Voltage: 24V	Material: Aluminum
Mount: Ear	Model Type: TM-15HS
Clutch Size: 5 5/16" (135mm)	OEM Model No.: 103-55015
Cylinder Head Type: Cast	No. of Grooves: A2
Cylinder Head Port Angle: Vertical	Clutch Assembly No.: Not serviced
Cylinder Head Size/Thread: 3/4 x 7/8	Clutch Shaft Type: SPLINED
Oil Amount: 150	Oil Type: ZXL100
Connector: Bullet	System: R-134a

**Part No: 525968**



Voltage: 12V	Material: Aluminum
Mount: Ear	Model Type: TM-16HS
Clutch Size: 5 5/16" (135mm)	OEM Model No.: 103-56011
Cylinder Head Port Angle: Vertical	No. of Grooves: A2
Cylinder Head Size/Thread: 3/4 x 7/8	Clutch Assembly No.: Not serviced
Oil Amount: 180	Clutch Shaft Type: SPLINED
Connector: Bullet	Oil Type: ZXL100
System: R-134a	

**Part No: 525979**



Voltage: 12V	Material: Aluminum
Mount: Ear	Model Type: TM-16HS
Clutch Size: 4 11/16" (119mm)	OEM Model No.: 103-56234
Cylinder Head Size/Thread: Pad	No. of Grooves: PV8
Oil Amount: 180	Clutch Assembly No.: Not serviced
Connector: Bullet	Clutch Shaft Type: SPLINED
System: R-134a	Oil Type: ZXL100

**Part No: 526408**



Voltage: 12V	Material: Aluminum
Mount: Direct	Model Type: TM-21HX
Clutch Size: 5 25/64" (137mm)	OEM Model No.: 103-57244
Cylinder Head Size/Thread: Pad	No. of Grooves: PV8
Oil Amount: 180	Clutch Assembly No.: Not serviced
Connector: Bullet	Clutch Shaft Type: SPLINED
System: R-134a	Oil Type: ZXL100

**Part No: 1001202121**



Voltage: 12V	Material: Aluminum
Mount: Direct	Model Type: TM-21HX
Clutch Size: 5" (127mm)	OEM Model No.: 103-67248
Cylinder Head Size/Thread: Pad	No. of Grooves: PV8
Oil Amount: 180	Clutch Assembly No.: Not serviced
Connector: Packard #12V	Clutch Shaft Type: SPLINED
System: R-134a	Oil Type: ZXL100

**Part No: 1001202129**



Voltage: 12V	Material: Aluminum
Mount: Direct	Model Type: TM-21HX
Clutch Size: 5" (127mm)	OEM Model No.: 103-67260
Cylinder Head Size/Thread: Pad	No. of Grooves: PV8
Oil Amount: 180	Clutch Assembly No.: Not serviced
Connector: Bullet	Clutch Shaft Type: SPLINED
System: R-134a	Oil Type: ZXL100

**Part No: B402827**



Voltage: 24V	Material: Aluminum
Mount: Ear	Model Type: TM-15HS
Clutch Size: 6 19/64" (160mm)	OEM Model No.: 103-55057
Cylinder Head Port Angle: Monolithic	Clutch Assembly No.: Not serviced
Oil Amount: 150	Clutch Shaft Type: SPLINED
Connector: Bullet	Oil Type: ZXL100
System: R-134a	

## Seltec/Ice/Valeo Style Compressors

### Valeo to Seltec / ICE to Que Interchange

Seltec No.	Valeo No.	Model Type	ICE No.	QUE No.	Part No
<b>TM-15HD</b>					
488-25011	103-25011	TM-15HD	2521121	-	525856
<b>TM-15HS</b>					
488-45011	103-55011	TM-15HS	2521152	QP15-1152	525917
488-45015	103-55015	TM-15HS	2521153	QP15-1153	525952
488-45057	103-55057	TM-15HS	2521164	-	B402827
<b>TM-16HS</b>					
488-46011	103-56011	TM-16HS	2521180	QP16-1180	525968
488-46234	103-56234	TM-16HS	2521206	QP16-1206	525979
<b>TM-21HX</b>					
488-25077	103-25077	TM-21HX	2521132	-	525858
488-47244	103-57244	TM-21HX	2521562	QP21-1562	526408
488-47245	103-67260	TM-21HX	2521657	-	1001202129
-	103-67248	TM-21HX	-	-	1001202121

\* Aftermarket version compressor



### Replacement Cylinder Heads

Part No **1001565070**

Horizontal 3/4 x 7/8  
Male Inverted O-Ring  
Aluminum



Part No **1001819763**

Horizontal No. 8 - No.  
10 O-Ring



800.499.6849 • [shop.bergstrominc.com](http://shop.bergstrominc.com)

2

# Seltec/Ice/Valeo Style Compressors

## Seltec Label Configuration

COMPRESSORS



Lubricant Type

Refrigerant Type

Designates Year of Manufacture:  
3 Represents 1993

Decade Code:  
4 Represents first half of 1980's  
5 Represents second half of 1980's  
6 Represents first half of 1990's  
7 Represents second half of 1990's

Type & Model  
"CH" Series has single rib around the middle of the body

Seltec Body Assembly Number

Serial Number

Lubricant Number

Month Produced:  
1-6 January through June  
7-12 July through December


The eight digit Seltec Part Number will be on a separate blue label w/ rounded corners



## Seltec/Ice/Valeo Style Compressors

### Clutch Variations

### Cylinder Head Variations

<p><b>Style A</b> 135mm Double A Groove</p> 	<p><b>Type A</b> Cast Vertical O-Ring R-12 Charging Ports 3/4 x 7/8</p> 
<p><b>Style B</b> 125mm Double A Groove</p> 	<p><b>Type B</b> Aluminum Vertical O-Ring 3/4 x 7/8</p> 
<p><b>Style C</b> 135mm Double A Groove</p> 	<p><b>Type C</b> Cast Horizontal O-Ring 3/4 x 7/8</p> 
<p><b>Style D</b> 8 Groove</p> 	<p><b>Type D</b> Cast Vertical O-Ring 3/4 x 7/8</p> 
<p><b>Style E</b> Overhang</p> 	<p><b>Type E</b> Cast Vertical Tube O-Ring 1 x 14</p> 
<p><b>Style F</b> Variable Groove</p> 	<p><b>Type F</b> Cast Horizontal Tube O-Ring 1 x 14</p> 
<p><b>Style G</b> 7 Groove</p> 	<p><b>Type G</b> Horizontal GM Pad</p> 

COMPRESSORS



2

## York/T/CCI Style Compressors

### R-134a Compressor Specifications - York/T/CCI Style

CC1 No.	Model Type	Mount Type	Cylinder Head			Clutch		Part No	
			Type	System	Size/Thread	Shaft Type	Oil Amount		Clutch
<b>Tube O-Ring</b>									
ET210L-25150	York 2 cyl	Upright	Tube O-Ring	R-134a	1 x 14	Long Key Shaft	14oz	-	<b>525742</b>
<b>Miscellaneous O-Ring</b>									
-	TM320A	-	-	HFC-134a	-	-	500ml	6 5/32" (156mm)	<b>1000723375</b>

\* Aftermarket version compressor

### Compressor Specifications


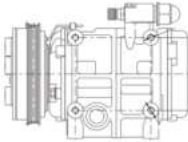
Specifications*	209	210
No Cylinders	2	2
Bore, in. mm	1.875 (47.63)	1.875 (47.63)
Stroke, in. mm	1.573 (39.95)	1.866 (47.40)
Disp., cu. in./rev. (cc/rev)	8.69 (142)	10.3 (169)
R.P.M. - Max.	6000	6000
Refrigerant	R-12,22,502,134a & new blends	R-12,22,502,134a & new blends
Initial Oil Charge, fl. oz. (ml)*	14 (413)	14 (413)
Weight, lbs. (kg.)	14.6 (6.6)	14.6 (6.6)
Lubrication	Splash and Positive Pressure and Oil Return Through Suction Side	

\* R-12 Heavy Duty models contain 12 fl. oz. (355 ml). R-134a Heavy Duty models contain 14 fl. oz. (413 ml). Some OEM specifications are as high as 17 fl. oz. (503 ml).

COMPRESSORS



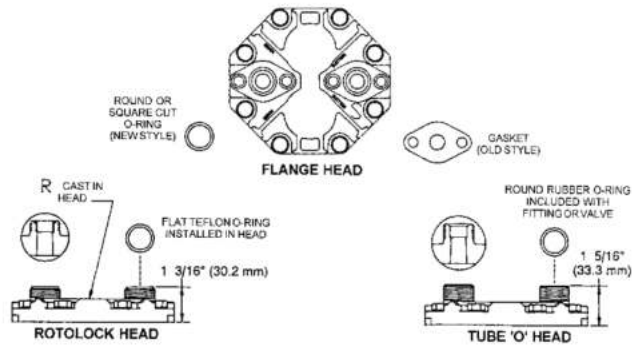
### R-134a Compressors - Aftermarket Version

Part No: 525742		Part No: 1000723375	
			
Mount: Upright	Material: Aluminum	System: HFC-134a	Model Type: TM320A
Cylinder Head Type: Tube O-Ring	Model Type: York 2 cyl	Oil Amount: 500ml	Oil Type: PAG 46
Cylinder Head Port Angle: TUBO	OEM Model No.: ER210L-25150	Cylinder Head Size/Thread: PV4/6 5/32" (1656mm)	
Cylinder Head Size/Thread: 1 x 14	Clutch Shaft Type: Long Key Shaft		
Oil Amount: 14oz	Oil Type: Lubrizol 2916 Ester Oil		
System: R12/R-134a			

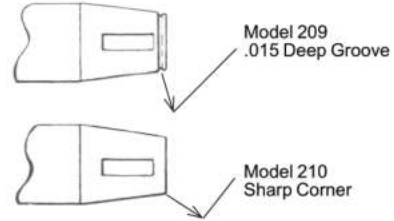
# York/T/CCI Style Compressors

## Compressor Configuration

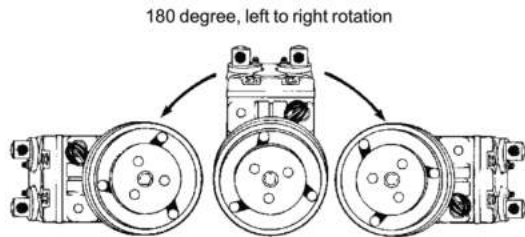
### HEAD CONFIGURATION



### SHAFT DETAIL COMPRESSOR DISPLACEMENT

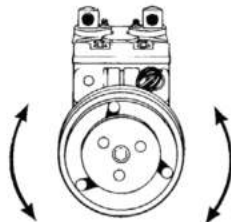


### INSTALLATION



**NOTE:** OEM recommends that when positioning compressor at full 90 degree horizontal, suction side should be on "top".

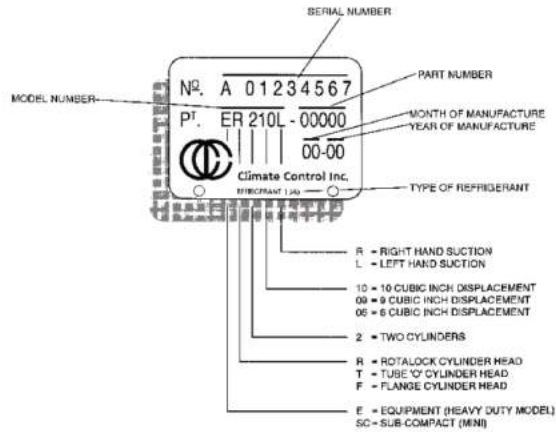
Clockwise or counterclockwise rotation



### NAMEPLATE

The metal nameplate located at the top front of the compressor serves as a means of identification. The location permits viewing the nameplate w/ the clutch installed.

Date inscribed on the nameplate includes the serial number, combination model/part number, date of manufacture, and type of refrigerant.



COMPRESSORS

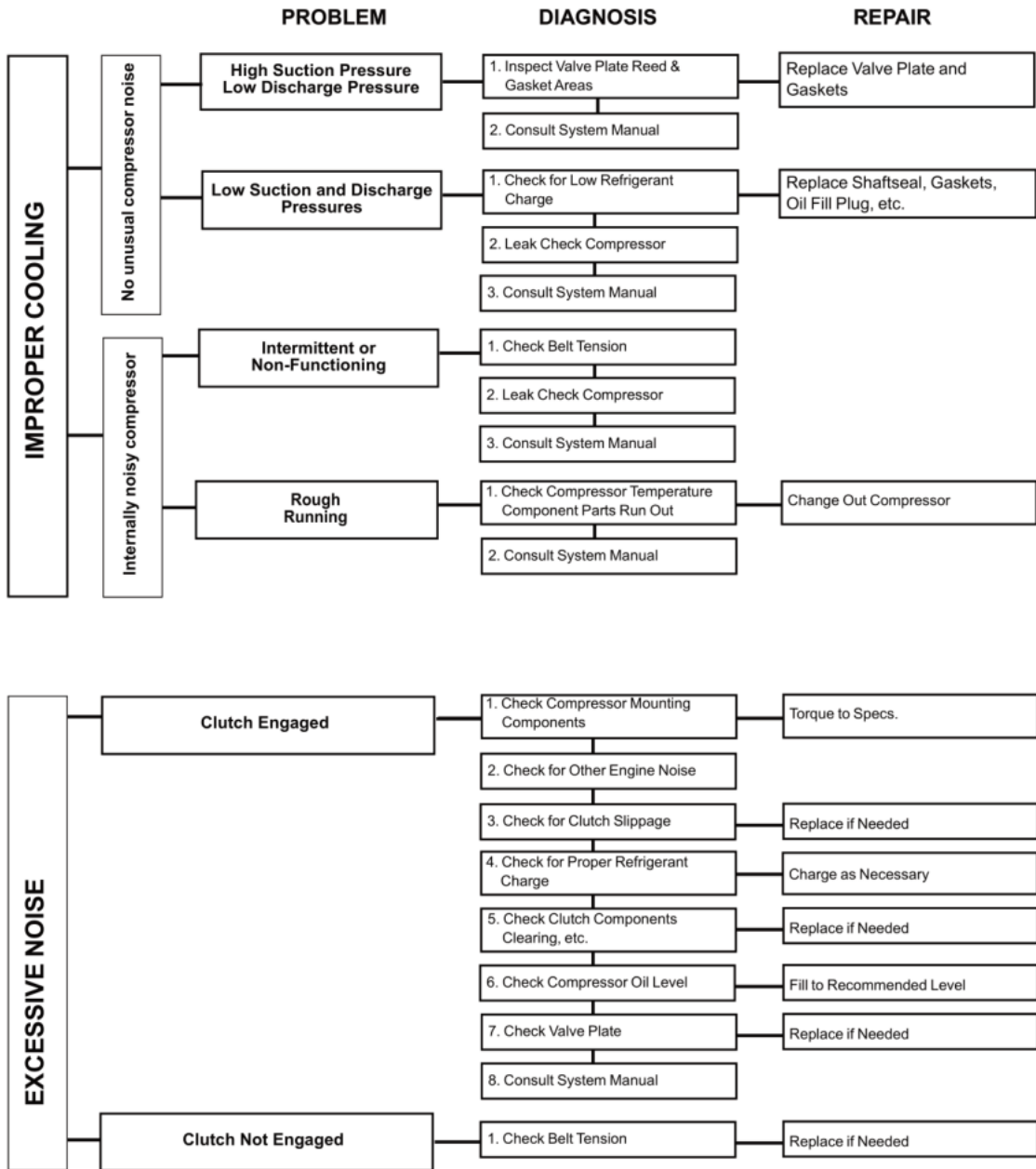


2

# York/T/CCI Style Compressors

## Compressor Troubleshooting

COMPRESSORS





## Pressure Relief Valves

2

### Compressor Mounting Brackets and Seal Kits

**Part No: B416113**



General Specifications: Universal Compressor Adapter Bracket, will mount Seltec or Sanden compressor to most C.C.I. or Blissfield compressor brackets.

**Part No: B416371**



General Specifications: Universal Seltec or Sanden Mounting Kit - may require additional brackets to be fabricated.

COMPRESSORS



### Pressure Relief Valves

**Part No: 1002912231**



Width: 3/4" (19.45mm)

Fitting Type: Pressure Relief Valve for TM Series Compressors

Fitting Thread Size: 3/8-24 UNF



800.499.6849 • [shop.bergstrominc.com](http://shop.bergstrominc.com)

2

**Service Valves**

**R-12 & R-134a CCI & Tecumseh Service Valve Specifications**

COMPRESSORS



Description	Compressor Thread Size	Hose Fittings			Refrigerant Hose		Part No
		Type	Size	Thread	Size	I.D.	
<b>TUBE O-RING COMPRESSOR SERVICE VALVES - YORK/T/CCI/TECUMSEH R-12</b>							
Back Seat 1"-14 Port R-12 O-Ring Fitting	1"-14	O-Ring	No. 10	7/8"-14	0	0	540198
<b>ROTOLOCK COMPRESSOR SERVICE VALVES - YORK/CCI/TECUMSEH R-134A</b>							
1"-14 Standard Flow Back Seat	1"-14	O-Ring	No. 8	3/4"-16	0	0	540206
1"-14 Standard Flow Back Seat	1"-14	O-Ring	No. 10	7/8"-14	0	0	540207
1"-14 Standard Flow R-134a Port O-Ring Fitting	1"-14	O-Ring	No. 8	3/4"-16	0	0	540208
1"-14 Standard Flow R-134a Port O-Ring Fitting	1"-14	O-Ring	No. 10	7/8"-14	0	0	540209
<b>TUBE O-RING COMPRESSOR SERVICE VALVES - YORK/T/CCI/TECUMSEH R-134A</b>							
Top Port R-134a	1"-14	O-Ring	N/A	N/A	-	-	B404270
Top Port R-134a	1"-14	O-Ring	N/A	N/A	-	-	B404271
1"-14 Standard Flow Back Seat R-134a Port O-Ring Fitting	1"-14	O-Ring	No. 8	3/4"-16	-	-	540216
1"-14 Standard Flow Back Seat R-134a Port O-Ring Fitting	1"-14	O-Ring	No. 10	7/8"-14	-	-	540217
1"-14 Standard Flow R-134a Port O-Ring Fitting	1"-14	O-Ring	No. 8	3/4"-16	-	-	540214
1"-14 Standard Flow R-134a Port O-Ring Fitting	1"-14	O-Ring	No. 10	7/8"-14	-	-	540215
1"-14 Standard Flow R-134a Port Beadlock Fitting	1"-14	Beadlock	-	1"-14	No. 8	13/32"	540211
1"-14 High Flow R-134a Port O-Ring Fitting	1"-14	O-Ring	No. 8	3/4"-16	-	-	550423
1"-14 High Flow R-134a Port O-Ring Fitting	1"-14	O-Ring	No. 10	7/8"-14	-	-	550424

**Seltec & Sanden Service Valve Specifications**

Description	Thread Size	Hose Fittings			Service Port Size	Part No
		Type	Size	Thread		
<b>SELTEC &amp; SANDEN W/O SERVICE PORTS ON COMPRESSOR</b>						
Standard Flow R-134a O-Ring Fitting without service ports on compressor	3/4"-16	O-Ring	No. 8	3/4"-16	16mm	540227
Standard Flow R-134a O-Ring Fitting without service ports on compressor	7/8"-14	O-Ring	No. 10	7/8"-14	13mm	540228
Standard Flow R-134a O-Ring Fitting without service ports on compressor	3/4"-16	O-Ring	No. 8	3/4"-16	16mm	540225
Standard Flow R-134a O-Ring Fitting without service ports on compressor	7/8"-14	O-Ring	No. 10	7/8"-14	13mm	540226

Tube O-Ring Compressor Service Valves - York/T/CCI/Tecumseh R-12

Fitting Type: Back Seat 1"-14 Port R-12 O-Ring Fitting



Fitting Size: No. 10	Fitting Thread Size: 7/8"-14	<b>540198</b>
----------------------	------------------------------	---------------

Rotolock Compressor Service Valves - York/T/CCI/Tecumseh R-134a

Fitting Type: 1"-14 Standard Flow Back Seat



Fitting Size: No. 8	Fitting Thread Size: 3/4"-16	Fitting Service Port Size: 16mm	<b>540206</b>
Fitting Size: No. 10	Fitting Thread Size: 7/8"-14	Fitting Service Port Size: 13mm	<b>540207</b>

Fitting Type: 1"-14 Standard Flow R-134a Port O-Ring Fitting



Fitting Size: No. 8	Fitting Thread Size: 3/4"-16	Fitting Service Port Size: 16mm	<b>540208</b>
Fitting Size: No. 10	Fitting Thread Size: 7/8"-14	Fitting Service Port Size: 13mm	<b>540209</b>

COMPRESSORS



2

Service Valves

Tube O-Ring Compressor Service Valves - York/T/CCI/Tecumseh R-134a

Fitting Type: Top Port R-134a



Fitting Size: No. 8	Fitting Thread Size: 3/4"-16	<b>B404270</b>
Fitting Size: No. 10	Fitting Thread Size: 7/8"-16	<b>B404271</b>

Fitting Type: 1"-14 Standard Flow Back Seat R-134a Port O-Ring Fitting



Fitting Size: No. 8	Fitting Thread Size: 3/4"-16	Fitting Service Port Size: 16mm	<b>540216</b>
Fitting Size: No. 10	Fitting Thread Size: 7/8"-14	Fitting Service Port Size: 13mm	<b>540217</b>

Fitting Type: 1"-14 Standard Flow R-134a Port O-Ring Fitting



Fitting Size: No. 8	Fitting Thread Size: 3/4"-16	Fitting Service Port Size: 16mm	<b>540214</b>
Fitting Size: No. 10	Fitting Thread Size: 7/8"-14	Fitting Service Port Size: 13mm	<b>540215</b>

COMPRESSORS



Fitting Type: 1"-14 Standard Flow R-134a Port Beadlock Fitting



Hos Size: No. 8	Hose Inner Diameter: 13/32"	Fitting Service Port Size: 16mm	<b>540211</b>
-----------------	-----------------------------	---------------------------------	---------------

Fitting Type: 1"-14 High Flow R-134a Port O-Ring Fitting



Fitting Size: No. 8	Fitting Thread Size: 3/4"-16	Fitting Service Port Size: 16mm	<b>550423</b>
Fitting Size: No. 10	Fitting Thread Size: 7/8"-14	Fitting Service Port Size: 13mm	<b>550424</b>

Seltec & Sanden without Service Ports on Compressor

Fitting Type: Standard Flow R-134a O-Ring Fitting without service ports on compressor



Fitting Size: No. 8	Fitting Thread Size: 3/4"-16	Fitting Service Port Size: 16mm	<b>540227</b>
Fitting Size: No. 10	Fitting Thread Size: 7/8"-14	Fitting Service Port Size: 13mm	<b>540228</b>

Fitting Type: Standard Flow R-134a O-Ring Fitting



Fitting Size: No. 8	Fitting Thread Size: 3/4"-16	Fitting Service Port Size: 16mm	<b>540225</b>
Fitting Size: No. 10	Fitting Thread Size: 7/8"-14	Fitting Service Port Size: 13mm	<b>540226</b>

Caps

**Part No: 550252**



General Specifications: Color: Red, High Side  
Package Size: 5

**Part No: 550253**



General Specifications: Color: Blue, Low Side  
Material: Plastic  
Package Size: 5

**Part No: 550392**



General Specifications: Color: Red, Adapter  
Fitting Size: 16mm  
Package Size: 5

**Part No: 550393**



General Specifications: Color: Blue, Adapter  
Fitting Size: 13mm  
Package Size: 5

**Part No: 550399**



General Specifications: Fits Aeroquip Low Side Charge Port  
Fitting Size: 13mm  
Package Size: 5

**Part No: 550401**



General Specifications: Fits Aeroquip High Side Charge Port  
Fitting Size: 16mm  
Package Size: 5

**Part No: 551112**



General Specifications: Color: Red, Charge Valve  
Package Size: 5

**Part No: 580106**



General Specifications: York and Tec Long Stem  
Package Size: 5

**Part No: 580108**



General Specifications: Charging Port  
Fitting Size: 13/16"  
Package Size: 5

**Part No: B360874**



General Specifications: Color: Blue  
Package Size: 5

COMPRESSORS



Notes

Lined area for notes, consisting of multiple horizontal lines for writing.

COMPRESSORS



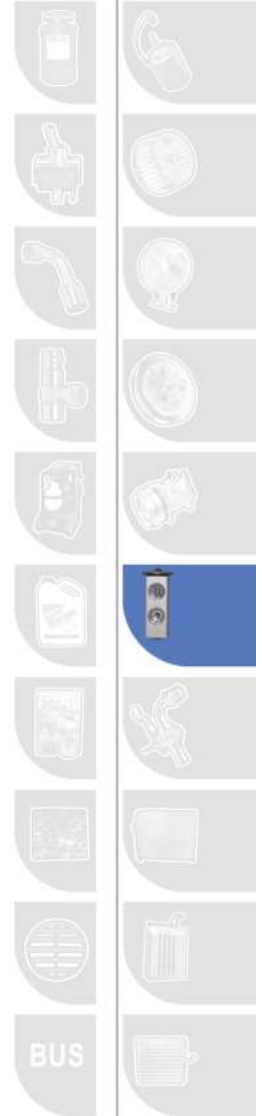


*Air Conditioning & Heating  
Replacement Parts*



# Expansion Valves

<b>Expansion Valve Specifications</b>	<b>192</b>
Solenoid Valves	192
Block Type Expansion Valves	192
Externally Equalized Type Expansion Valves	193
Internally Equalized Type Expansion Valves	193
<b>Solenoid Valves</b>	<b>194</b>
<b>Block Type Expansion Valves</b>	<b>194</b>
<b>Externally Equalized Expansion Valves</b>	<b>200</b>
<b>Internally Equalized Expansion Valves</b>	<b>201</b>
<b>Inlet Tube</b>	<b>201</b>
<b>Cycling Clutch Orifice Tube (CCOT)</b>	<b>202</b>
<b>Service Tips</b>	<b>203</b>



Call: 800.499.6849 for Technical Assistance

Availability of the products shown in this reference guide is subject to change without notice by Bergstrom, Inc.  
For the most current product information please visit the Bergstrom Distributor website at <https://shop.bergstrominc.com/>.

## 2

## Expansion Valve Specifications

## Solenoid Valves

Description	Inlet	Outlet	Tonnage	Part No
12V Air-Operated Solenoid Valve Fitting Assembly use w/R-134a	-	-	-	<b>650254-S</b>
12V Electronically-Operated Solenoid Valve	-	-	-	<b>530851</b>
12V Air-Operated Solenoid Valve use with R-134a	3/8 O-Ring	3/8 O-Ring	-	<b>650199</b>

## Block Type Expansion Valves

Description	Inlet	Outlet	Suction Inlet	Suction Outlet	Tonnage	Part No
-	No. 6	No. 8	No. 10	No. 12	1 1/2 Ton	<b>1001047800</b>
-	No. 6 Pad Mount	No. 8 Pad Mount	No. 10 Pad Mount	No. 10 Pad Mount	1 1/2 Ton	<b>540383</b>
-	No. 6 Pad Mount	No. 8 Pad Mount	No. 10 Pad Mount	No. 12 Pad Mount	1 1/2 Ton	<b>540454</b>
-	No. 6 Pad Mount	No. 8 Pad Mount	No. 10 Pad Mount	No. 10 Pad Mount	3/4 Ton	<b>1000021106</b>
-	No. 6 Pad Mount	No. 8 Pad Mount	No. 10 Pad Mount	No. 12 Pad Mount	2 Ton	<b>1000039681</b>
-	No. 6 Pad Mount	No. 8 Pad Mount	No. 10 Pad Mount	No. 10 Pad Mount	1 1/2 Ton	<b>1000039683</b>
-	No. 6 Pad Mount	No. 8 Pad Mount	No. 10 Pad Mount	No. 10 Pad Mount	1 1/2 Ton	<b>1000039685</b>
-	No. 6 Pad Mount	No. 8 Pad Mount	No. 10 Pad Mount	No. 12 Pad Mount	2 Ton	<b>013359</b>
-	No. 6 Pad mount	No. 8 Pad Mount	No. 10 Pad Mount	No. 10 Pad mount	1 1/2 Ton	<b>1000477644</b>
-	No. 6 Pad mount	No. 8 Pad Mount	No. 8 Pad Mount	No. 10 Pad mount	1 1/2 Ton	<b>1000378282</b>
-	No. 6 Pad Mount	No. 8 Pad Mount	No. 8 Pad Mount	No. 10 Pad Mount	2 Ton	<b>1001465662</b>
-	No 6 Pad Mount	No. 8 Pad Mount	No. 8 Pad Mount	No. 10 Pad Mount	2 Ton	<b>540035</b>
M6 x 1 Stud	No. 6 Pad Mount	No. 8 Pad Mount	No. 8 Pad Mount	No. 10 Pad Mount	1 1/2 Ton	<b>1000293541</b>
M6 x 1 Stud	No. 6 Pad Mount	No. 8 Pad Mount	No. 8 Pad Mount	No. 10 Pad Mount	2 Ton	<b>1000293542</b>
-	No. 6 Pad mount	No. 8 Pad Mount	No. 10 Pad Mount	No. 12 Pad mount	1 1/2 Ton	<b>1000207213</b>
M8 x 1.25 Stud	No. 6 Pad mount	No. 8 Pad Mount	No. 10 Pad Mount	No. 12 Pad Mount	1 1/2 Ton	<b>1000355817</b>
-	No. 6 Pad mount	No. 8 Pad Mount	No. 10 Pad Mount	No. 12 Pad Mount	2 Ton	<b>1000352807</b>
M8 x 1.25 Stud	No. 6 Pad mount	No. 8 Pad Mount	No. 10 Pad Mount	No. 12 Pad Mount	2 Ton	<b>1000463486</b>
-	No. 6 Pad Mount	No. 8 Pad Mount	No. 10 Pad Mount	No. 12 Pad Mount	2 Ton	<b>1000211175</b>
-	No. 6 Pad Mount	No. 8 Pad Mount	No. 10 Pad Mount	No. 10 Pad mount	1 1/2 Ton	<b>1000477674</b>
-	No. 6 Pad Mount	No. 8 Pad Mount	No. 8 Pad Mount	No. 10 Pad Mount	2 Ton	<b>1001443810</b>
-	No. 6 Pad Mount	No. 8 Pad Mount	No. 10 Pad Mount	No. 12 Pad Mount	2 Ton	<b>1001465663</b>
-	No. 6 Pad mount	No. 12 Pad Mount	No. 8 Pad Mount	No. 10 Pad mount	2 Ton	<b>1000477612</b>
-	No. 6 Pad Mount	No. 12 Pad Mount	No. 8 Pad Mount	No. 10 Pad Mount	2 Ton	<b>1001398381</b>
-	No. 6 Female O-Ring	No. 8 Female O-Ring	No. 10 Female O-Ring	No. 10 Female O-Ring	2 Ton	<b>1001465094</b>
-	No. 6 Female O-Ring	No. 8 Female O-Ring	No. 8 Female O-Ring	No. 10 Female O-Ring	2 Ton	<b>1001468089</b>
-	No. 6 Female O-Ring	No. 8 Female O-Ring	No. 10 Female O-Ring	No. 10 Female O-Ring	1 1/2 Ton	<b>1001468090</b>
M6 x 1 Stud	No. 6 Female O-Ring	No. 8 Female O-Ring	No. 8 Female O-Ring	No. 10 Female O-Ring	1 1/2 Ton	<b>1001443802</b>
M6 x 1 Stud	No. 6 Female O-Ring	No. 8 Female O-Ring	No. 8 Female O-Ring	No. 10 Female O-Ring	1 1/2 Ton	<b>1001443803</b>
M8 x 1.25 Stud	No. 6 Female O-Ring	No. 8 Female O-Ring	No. 8 Female O-Ring	No. 10 Female O-Ring	2 ton	<b>1000534258</b>
-	No. 6 Female O-Ring	No. 8 Female O-Ring	No. 8 Female O-Ring	No. 10 Female O-Ring	2 Ton	<b>1001443391</b>
-	No. 6 Female O-Ring	No. 8 Female O-Ring	No. 8 Female O-Ring	No. 10 Female O-Ring	1 1/2 Ton	<b>1001443793</b>
-	No. 6 Female O-Ring	No. 8 Female O-Ring	No. 10 Female O-Ring	No. 12 Female O-Ring	2 Ton	<b>1001448066</b>
-	No. 6 Female O-Ring	No. 8 Female O-Ring	No. 10 Female O-Ring	No. 12 Female O-Ring	2 Ton	<b>1000122061</b>
-	No. 6 Female O-Ring	No. 8 Female O-Ring	No. 12 Female O-Ring	No. 12 Female O-Ring	1 Ton	<b>1001276615</b>
-	No. 6 Female O-Ring	No. 8 Female O-Ring	No. 10 Female O-Ring	No. 10 Female O-Ring	2 Ton	<b>1001465631</b>
-	No. 6 Female O-Ring	No. 8 Female O-Ring	No. 8 Female O-Ring	No. 10 Female O-Ring	2 Ton	<b>589500</b>
-	No. 6 Female O-Ring	No. 8 Female O-Ring	No. 10 Female O-Ring	No. 10 Female O-Ring	2 Ton	<b>540293</b>
-	No. 6 Female O-Ring	No. 8 Female O-Ring	No. 10 Female O-Ring	No. 12 Female O-Ring	2 Ton	<b>1001443376</b>

EXPANSION VALVES



## Expansion Valve Specifications

2

### Block Type Expansion Valves

Description	Inlet	Outlet	Suction Inlet	Suction Outlet	Tonnage	Part No
-	No. 6 Female O-Ring	No. 8 Female O-Ring	No. 10 Female O-Ring	No. 10 Female O-Ring	2 Ton	1001443384
M6 x 1 Stud	No. 6 Female O-Ring	No. 8 Female O-Ring	No. 8 Female O-Ring	No. 10 Female O-Ring	2 Ton	1001443771
-	No. 6 Female O-Ring	No. 8 Female O-Ring	No. 8 Female O-Ring	No. 10 Female O-Ring	2 Ton	1000300919
-	No. 6 Female O-Ring	No. 8 Female O-Ring	No. 8 Female O-Ring	No. 10 Female O-Ring	1 1/2 Ton	1001443791
-	No. 6 Female O-Ring	No. 8 Female O-Ring	No. 10 Female O-Ring	No. 10 Female O-Ring	2 Ton	1001443807
-	No. 6 Female O-Ring	No. 8 Female O-Ring	No. 10 Female O-Ring	No. 10 Female O-Ring	2 Ton	1001445635
-	No. 6 Female O-Ring	No. 8 Female O-Ring	No. 8 Female O-Ring	No. 10 Female O-Ring	2 Ton	1001449683
-	No. 6 Female O-Ring	No. 10 Female O-Ring	No. 8 Female O-Ring	No. 8 Female O-Ring	2 Ton	1000308676
-	No. 6 Female O-Ring	No. 12 Female O-Ring	No. 12 Female O-Ring	No. 12 Female O-Ring	1 1/2 Ton	1001448060
-	No. 8 Pad Mount	No. 8 Pad Mount	No. 12 Pad Mount	No. 12 Pad Mount	1 Ton	1001404629
-	No. 8 Pad Mount	No. 8 Pad Mount	No. 10 Pad Mount	No. 10 Pad mount	2 Ton	1000227147
-	No. 8 Pad Mount	No. 8 Pad Mount	No. 12 Pad Mount	No. 10 Pad Mount	1 Ton	1000617672
-	No. 8 Pad Mount	No. 12 Pad Mount	No. 8 Pad Mount	No. 12 Pad Mount	1 Ton	1001445648
M6 x 1 Stud	No. 8 Female O-Ring	No. 6 Female O-Ring	No. 10 Female O-Ring	No. 8 Female O-Ring	2 Ton	1001443774
-	No. 8 Female O-Ring	No. 10 Female O-Ring	No. 8 Female O-Ring	No. 10 Female O-Ring	2 Ton	1001443769

### Externally Equalized Type Expansion Valves

Inlet	Outlet	Tonnage	Equalizer Tube Length	Capillary Tube Length	Nut	Part No
3/8" Male O-Ring	5/8" Male O-Ring	1 1/2 Ton	11 13/16" (300mm)	11 5/8" (295mm)	7/16-24 UNF	1001443780
3/8" Male O-Ring	1/2" Male O-Ring	1 1/2 Ton	9 13/16" (250mm)	8" (203mm)	7/16-20 UNF	1001443809
5/8"-18 Male O-Ring	3/4"-16 Male O-Ring	2 Ton	16 9/16" (421mm)	11 13/16" (300mm)	7/16-20	1001489790
5/8"-18 Male O-Ring	3/4"-16 Male O-Ring	1 1/2 Ton	16 3/8" (416mm)	19 5/16" (490mm)	7/16-20	1001465619
No. 6 Male O-Ring	No. 8 Male O-Ring	1 1/2 Ton	29 1/2" (750mm)	17 5/16" (440mm)	7/16"-20 Female O-Ring	1001443777
No. 6 Male O-Ring	No. 8 Male O-Ring	2 Ton	13" (330.2mm)	13" (330.2mm)	7/16"-20	B404292

### Internally Equalized Type Expansion Valves

Inlet	Outlet	Tonnage	Capillary Tube Length	Nut	Part No
3/8" Male O-Ring	1/2" Male O-Ring	2 Ton	12 3/16" (310mm)	-	1001443794
M16	M20	1 1/2 Ton	16 1/2" (419.1mm)	-	1000299874
M16 x 1.5 Male O-Ring	M20 x 1.5 Male O-Ring	1 1/2 Ton	16 1/8" (410mm)	-	1001443787

EXPANSION VALVES



Bergstrom

800.499.6849 • shop.bergstrominc.com

193

2

## Block Type Expansion Valves Solenoid Valves

**Part No: 530851**



General Specifications: Electronically-Operated Solenoid Valve

**Part No: 650199**



General Specifications: Air-Operated Solenoid Valve use with R-134a

Inlet: 3/8 O-Ring  
Outlet: 3/8 O-Ring

**Part No: 650254-S**



General Specifications: Air-Operated Solenoid Valve Fitting, Assembly use with R-134a

Inlet: No. 6 Female O-Ring  
Outlet: No. 6 Female O-Ring

## Block Type Expansion Valves

EXPANSION VALVES

**Part No: 013359**



Tonnage: 2 Ton  
Inlet: No. 6 Pad Mount  
Outlet: No. 8 Pad Mount  
Suction Inlet: No. 10 Pad Mount  
Suction Outlet: No. 12 Pad Mount

**Part No: 540035**



Tonnage: 2 Ton  
Inlet: No. 6 Pad Mount  
Outlet: No. 8 Pad Mount  
Suction Inlet: No. 8 Pad Mount  
Suction Outlet: No. 10 Pad Mount

**Part No: 540293**



Tonnage: 2 Ton  
Inlet: No. 6 Female O-Ring  
Outlet: No. 8 Female O-Ring  
Suction Inlet: No. 10 Female O-Ring  
Suction Outlet: No. 10 Female O-Ring

**Part No: 540383**



Tonnage: 1 1/2 Ton  
Inlet: No. 6 Pad Mount  
Outlet: No. 8 Pad Mount  
Suction Inlet: No. 10 Pad Mount  
Suction Outlet: No. 10 Pad Mount

**Part No: 540454**



Tonnage: 1 1/2 Ton  
Inlet: No. 6 Pad Mount  
Outlet: No. 8 Pad Mount  
Suction Inlet: No. 10 Pad Mount  
Suction Outlet: No. 12 Pad Mount

**Part No: 589500**



Tonnage: 2 Ton  
Inlet: No. 6 Female O-Ring  
Outlet: No. 8 Female O-Ring  
Suction Inlet: No. 8 Female O-Ring  
Suction Outlet: No. 10 Female O-Ring

## Block Type Expansion Valves

**Part No: 100021106**

Evaporator Side      Hose Side

No. 10 Pad Mount      No. 10 Pad Mount

No. 8 Pad Mount      No. 6 Pad Mount

Tonnage: 3/4 Ton
Inlet: No. 6 Pad Mount
Outlet: No. 8 Pad Mount
Suction Inlet: No. 10 Pad Mount
Suction Outlet: No. 10 Pad Mount

**Part No: 1000039681**

Evaporator Side      Hose Side

No. 10 Pad Mount      No. 12 Pad Mount

No. 8 Pad Mount      No. 6 Pad Mount

Tonnage: 2 Ton
Inlet: No. 6 Pad Mount
Outlet: No. 8 Pad Mount
Suction Inlet: No. 10 Pad Mount
Suction Outlet: No. 12 Pad Mount

**Part No: 1000039683**

Evaporator Side      Hose Side

No. 10 Pad Mount      No. 10 Pad Mount

No. 8 Pad Mount      No. 6 Pad Mount

Tonnage: 1 1/2 Ton
Inlet: No. 6 Pad Mount
Outlet: No. 8 Pad Mount
Suction Inlet: No. 10 Pad Mount
Suction Outlet: No. 10 Pad Mount

**Part No: 1000039685**

Evaporator Side      Hose Side

No. 10 Pad Mount      No. 10 Pad Mount

No. 8 Pad Mount      No. 6 Pad Mount

Tonnage: 1 1/2 Ton
Inlet: No. 6 Pad Mount
Outlet: No. 8 Pad Mount
Suction Inlet: No. 10 Pad Mount
Suction Outlet: No. 10 Pad Mount

**Part No: 1000122061**

Evaporator Side      Hose Side

No. 10 Female O-Ring      No. 12 Female O-Ring

No. 8 Female O-Ring      No. 6 Female O-Ring

Tonnage: 2 Ton
Inlet: No. 6 Female O-Ring
Outlet: No. 8 Female O-Ring
Suction Inlet: No. 8 Female O-Ring
Suction Outlet: No. 12 Female O-Ring

**Part No: 1000207213**

Evaporator Side      Hose Side

No. 10 Pad Mount      No. 12 Pad Mount

No. 8 Pad Mount      No. 6 Pad Mount

Tonnage: 1 1/2 Ton
Inlet: No. 6 Pad mount
Outlet: No. 8 Pad Mount
Suction Inlet: No. 10 Pad Mount
Suction Outlet: No. 12 Pad mount

**Part No: 1000211175**

Evaporator Side      Hose Side

No. 10 Pad Mount      No. 10 Pad Mount

No. 8 Pad Mount      No. 6 Pad Mount

Tonnage: 2 Ton
Inlet: No. 6 Pad Mount
Outlet: No. 8 Pad Mount
Suction Inlet: No. 10 Pad Mount
Suction Outlet: No. 12 Pad Mount

**Part No: 1000227147**

Evaporator Side      Hose Side

No. 10 Pad Mount      No. 10 Pad Mount

No. 8 Pad Mount      No. 8 Pad Mount

Tonnage: 2 Ton
Inlet: No. 8 Pad Mount
Outlet: No. 8 Pad Mount
Suction Inlet: No. 10 Pad Mount
Suction Outlet: No. 10 Pad mount

**Part No: 1000293541**

Evaporator Side      Hose Side

No. 8 Pad Mount      No. 10 Pad Mount

No. 8 Pad Mount      No. 8 Pad Mount

General Specifications: M6 x 1 Stud
Tonnage: 1 1/2 Ton
Inlet: No. 6 Pad Mount
Outlet: No. 8 Pad Mount
Suction Inlet: No. 8 Pad Mount
Suction Outlet: No. 10 Pad Mount

EXPANSION VALVES



2

Block Type Expansion Valves

EXPANSION VALVES

**Part No: 1000293542**

General Specifications: M6 x 1 Stud
Tonnage: 2 Ton
Inlet: No. 6 Pad Mount
Outlet: No. 8 Pad Mount
Suction Inlet: No. 8 Pad Mount
Suction Outlet: No. 10 Pad Mount

**Part No: 1000300919**

Tonnage: 2 Ton
Inlet: No. 6 Female O-Ring
Outlet: No. 8 Female O-Ring
Suction Inlet: No. 8 Female O-Ring
Suction Outlet: No. 10 Female O-Ring

**Part No: 1000308676**

Tonnage: 2 Ton
Inlet: No. 6 Female O-Ring
Outlet: No. 10 Female O-Ring
Suction Inlet: No. 8 Female O-Ring
Suction Outlet: No. 8 Female O-Ring

**Part No: 1000352807**

Tonnage: 2 Ton
Inlet: No. 6 Pad mount
Outlet: No. 8 Pad mount
Suction Inlet: No. 10 Pad Mount
Suction Outlet: No. 12 Pad Mount

**Part No: 1000355817**

General Specifications: M8 x 1.25 Stud
Tonnage: 1 1/2 Ton
Inlet: No. 6 Pad mount
Outlet: No. 8 Pad Mount
Suction Inlet: No. 10 Pad Mount
Suction Outlet: No. 12 Pad Mount

**Part No: 1000378282**

Tonnage: 1 1/2 Ton
Inlet: No. 6 Pad mount
Outlet: No. 8 Pad Mount
Suction Inlet: No. 8 Pad Mount
Suction Outlet: No. 10 Pad mount

**Part No: 1000463486**

General Specifications: M8 x 1.25 Stud
Tonnage: 2 Ton
Inlet: No. 6 Pad mount
Outlet: No. 8 Pad Mount
Suction Inlet: No. 10 Pad Mount
Suction Outlet: No. 12 Pad Mount

**Part No: 1000477612**

Tonnage: 2 Ton
Inlet: No. 6 Pad mount
Outlet: No. 12 Pad Mount
Suction Inlet: No. 8 Pad Mount
Suction Outlet: No. 10 Pad mount

**Part No: 1000477644**

Tonnage: 1 1/2 Ton
Inlet: No. 6 Pad mount
Outlet: No. 8 Pad Mount
Suction Inlet: No. 10 Pad Mount
Suction Outlet: No. 10 Pad mount

# Block Type Expansion Valves

**Part No: 1000477674**

Tonnage: 1 1/2 Ton
Inlet: No. 6 Pad Mount
Outlet: No. 8 Pad Mount
Suction Inlet: No. 10 Pad Mount
Suction Outlet: No. 10 Pad mount

**Part No: 1000534258**

General Specifications: M8 x 1.25 Stud
Tonnage: 2 ton
Inlet: No. 6 Female O-Ring
Outlet: No. 8 Female O-Ring
Suction Inlet: No. 8 Female O-Ring
Suction Outlet: No. 10 Female O-Ring

**Part No: 1000617672**

Tonnage: 1 Ton
Inlet: No. 8 Pad Mount
Outlet: No. 8 Pad Mount
Suction Inlet: No. 12 Pad Mount
Suction Outlet: No. 10 Pad Mount

**Part No: 1001047800**

Tonnage: 1 1/2 Ton
Inlet: No. 6
Outlet: No. 8
Suction Inlet: No. 10
Suction Outlet: No. 12

**Part No: 1001276615**

Tonnage: 1 Ton
Inlet: No. 6 Female O-Ring
Outlet: No. 8 Female O-Ring
Suction Inlet: No. 12 Female O-Ring
Suction Outlet: No. 12 Female O-Ring

**Part No: 1001398381**

Tonnage: 2 Ton
Inlet: No. 6 Pad Mount
Outlet: No. 12 Pad Mount
Suction Inlet: No. 8 Pad Mount
Suction Outlet: No. 10 Pad Mount

**Part No: 1001400265**

Tonnage: 2 Ton
Inlet: No. 6
Outlet: No. 10
Suction Inlet: No. 8
Suction Outlet: No. 10

**Part No: 1001404629**

Tonnage: 1 Ton
Inlet: No. 8 Pad Mount
Outlet: No. 8 Pad Mount
Suction Inlet: No. 12 Pad Mount
Suction Outlet: No. 12 Pad Mount

**Part No: 1001443376**

Tonnage: 2 Ton
Inlet: No. 6 Female O-Ring
Outlet: No. 8 Female O-Ring
Suction Inlet: No. 10 Female O-Ring
Suction Outlet: No. 12 Female O-Ring

EXPANSIONVALVES



2

Block Type Expansion Valves

EXPANSIONVALVES

**Part No: 1001443384**

Tonnage: 2 Ton
Inlet: No. 6 Female O-Ring
Outlet: No. 8 Female O-Ring
Suction Inlet: No. 10 Female O-Ring
Suction Outlet: No. 10 Female O-Ring

**Part No: 1001443391**

Tonnage: 2 Ton
Inlet: No. 6 Female O-Ring
Outlet: No. 8 Female O-Ring
Suction Inlet: No. 8 Female O-Ring
Suction Outlet: No. 10 Female O-Ring

**Part No: 1001443769**

Tonnage: 2 Ton
Inlet: No. 8 Female O-Ring
Outlet: No. 10 Female O-Ring
Suction Inlet: No. 8 Female O-Ring
Suction Outlet: No. 10 Female O-Ring

**Part No: 1001443771**

General Specifications: M6 x 1 Stud
Tonnage: 2 Ton
Inlet: No. 6 Female O-Ring
Outlet: No. 8 Female O-Ring
Suction Inlet: No. 8 Female O-Ring
Suction Outlet: No. 10 Female O-Ring

**Part No: 1001443774**

General Specifications: M6 x 1 Stud
Tonnage: 2 Ton
Inlet: No. 8 Female O-Ring
Outlet: No. 6 Female O-Ring
Suction Inlet: No. 10 Female O-Ring
Suction Outlet: No. 8 Female O-Ring

**Part No: 1001443791**

Tonnage: 1 1/2 Ton
Inlet: No. 6 Female O-Ring
Outlet: No. 8 Female O-Ring
Suction Inlet: No. 8 Female O-Ring
Suction Outlet: No. 10 Female O-Ring

**Part No: 1001443793**

Tonnage: 1 1/2 Ton
Inlet: No. 6 Female O-Ring
Outlet: No. 8 Female O-Ring
Suction Inlet: No. 8 Female O-Ring
Suction Outlet: No. 10 Female O-Ring

**Part No: 1001443802**

General Specifications: M6 x 1 Stud
Tonnage: 1 1/2 Ton
Inlet: No. 6 Female O-Ring
Outlet: No. 8 Female O-Ring
Suction Inlet: No. 8 Female O-Ring
Suction Outlet: No. 10 Female O-Ring

**Part No: 1001443803**

General Specifications: M6 x 1 Stud
Tonnage: 1 1/2 Ton
Inlet: No. 6 Female O-Ring
Outlet: No. 8 Female O-Ring
Suction Inlet: No. 8 Female O-Ring
Suction Outlet: No. 10 Female O-Ring

# Block Type Expansion Valves

**Part No: 1001443807**

Tonnage: 2 Ton
Inlet: No. 6 Female O-Ring
Outlet: No. 8 Female O-Ring
Suction Inlet: No. 10 Female O-Ring
Suction Outlet: No. 10 Female O-Ring

**Part No: 1001443810**

Tonnage: 2 Ton
Inlet: No. 6 Pad Mount
Outlet: No. 8 Pad Mount
Suction Inlet: No. 8 Pad Mount
Suction Outlet: No. 10 Pad Mount

**Part No: 1001445635**

Tonnage: 2 Ton
Inlet: No. 6 Female O-Ring
Outlet: No. 8 Female O-Ring
Suction Inlet: No. 10 Female O-Ring
Suction Outlet: No. 10 Female O-Ring

**Part No: 1001445648**

Tonnage: 1 Ton
Inlet: No. 8 Pad Mount
Outlet: No. 12 Pad Mount
Suction Inlet: No. 8 Pad Mount
Suction Outlet: No. 12 Pad Mount

**Part No: 1001448060**

Tonnage: 1 1/2 Ton
Inlet: No. 6 Female O-Ring
Outlet: No. 10 Female O-Ring
Suction Inlet: No. 10 Female O-Ring
Suction Outlet: No. 10 Female O-Ring

**Part No: 1001448066**

Tonnage: 2 Ton
Inlet: No. 6 Female O-Ring
Outlet: No. 8 Female O-Ring
Suction Inlet: No. 10 Female O-Ring
Suction Outlet: No. 12 Female O-Ring

**Part No: 1001449683**

Tonnage: 2 Ton
Inlet: No. 6 Female O-Ring
Outlet: No. 8 Female O-Ring
Suction Inlet: No. 8 Female O-Ring
Suction Outlet: No. 10 Female O-Ring

**Part No: 1001465094**

Tonnage: 2 Ton
Inlet: No. 6 Female O-Ring
Outlet: No. 8 Female O-Ring
Suction Inlet: No. 10 Female O-Ring
Suction Outlet: No. 10 Female O-Ring

**Part No: 1001465631**

Tonnage: 2 Ton
Inlet: No. 6 Female O-Ring
Outlet: No. 8 Female O-Ring
Suction Inlet: No. 10 Female O-Ring
Suction Outlet: No. 10 Female O-Ring

EXPANSION VALVES



2

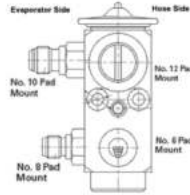
Externally Equalized Expansion Valves

Part No: 1001465662



Tonnage: 2 Ton
Inlet: No. 6 Pad Mount
Outlet: No. 8 Pad Mount
Suction Inlet: No. 8 Pad Mount
Suction Outlet: No. 10 Pad Mount

Part No: 1001465663



Tonnage: 2 Ton
Inlet: No. 6 Pad Mount
Outlet: No. 8 Pad Mount
Suction Inlet: No. 10 Pad Mount
Suction Outlet: No. 12 Pad Mount

Part No: 1001468089



Tonnage: 2 Ton
Inlet: No. 6 Female O-Ring
Outlet: No. 8 Female O-Ring
Suction Inlet: No. 8 Female O-Ring
Suction Outlet: No. 10 Female O-Ring

Part No: 1001468090



Tonnage: 1 1/2 Ton
Inlet: No. 6 Female O-Ring
Outlet: No. 8 Female O-Ring
Suction Inlet: No. 10 Female O-Ring
Suction Outlet: No. 10 Female O-Ring

EXPANSION VALVES

Externally Equalized Expansion Valves

Part No: 1001443777



Tonnage: 1 1/2 Ton
Inlet: No. 6 Male O-Ring
Outlet: No. 8 Male O-Ring
Capillary Length: 17 5/16" (440mm)
Equalizer Tube Length: 29 1/2" (750mm)
Nut Size: 7/16"-20 Female O-Ring

Part No: 1001443780



Tonnage: 1 1/2 Ton
Inlet: 3/8" Male O-Ring
Outlet: 5/8" Male O-Ring
Capillary Length: 11 5/8" (295mm)
Equalizer Tube Length: 11 13/16" (300mm)
Nut Size: 7/16"-24 UNF

Part No: 1001443809



Tonnage: 1 1/2 Ton
Inlet: 3/8" Male O-Ring
Outlet: 1/2 Male O-Ring
Capillary Length: 8" (203mm)
Equalizer Tube Length: 9 13/16" (250mm)
Nut Size: 7/16"-20 UNF



**Inlet Tube**

2

**Part No: 1001465619**



Tonnage: 1 1/2 Ton
Inlet: 5/8-18 Male O-Ring
Outlet: 3/4-16 Male O-Ring
Capillary Length: 19 5/16" (490mm)
Equalizer Tube Length: 16 3/8" (416mm)
Nut Size: 7/16-20

**Part No: 1001489790**



Tonnage: 2 Ton
Inlet: 5/8-18 Male O-Ring
Outlet: 3/4-16 Male O-Ring
Capillary Length: 11 13/16" (300mm)
Equalizer Tube Length: 16 9/16" (421mm)
Nut Size: 7/16-20

**Part No: B404292**



Tonnage: 2 Ton
Inlet: No. 6 Male O-Ring
Outlet: No. 8 Male O-Ring
Capillary Length: 13" (330.2mm)
Equalizer Tube Length: 13" (330.2mm)
Nut Size: 7/16"-20

**Internally Equalized Expansion Valves**

**Part No: 1000299874**



Tonnage: 1.5 ton
Inlet: M16
Outlet: M20
Capillary Length: 16 1/2" (419.1mm)

**Part No: 1001443787**



Tonnage: 1 1/2 Ton
Inlet: M16 x 1.5 Male O-Ring
Outlet: M20 x 1.5 Male O-Ring
Capillary Length: 16 1/8" (410mm)

**Part No: 1001443794**



Tonnage: 2 Ton
Inlet: 3/8" Male O-Ring
Outlet: 1/2" Male O-Ring
Capillary Length: 12 3/16" (310mm)

EXPANSIONVALVES



**Inlet Tube**

**Part No: 551131**



Description: AC Inlet Tube
----------------------------



2

**Cycling Clutch Orifice Tube (CCOT)**

**Cycling Clutch Orifice Tubes (CCOT)**

EXPANSIONVALVES



General Specifications: Red Orifice Tube



General Specifications: Blue Orifice Tube w/Green HNBR, O-Rings (R-12 & R-134a)

Additional Specification: NOTE: The price is per piece (not per pack quantity). The total price will be reflected during the checkout process.



General Specifications: Orange Orifice Tube w/Green HNBR, O-Rings (R-12 & R-134a)

Additional Specification: NOTE: The price is per piece (not per pack quantity). The total price will be reflected during the checkout process.



General Specifications: Brown Orifice Tube w/Green HNBR, O-Rings (R-134a)

Additional Specification: NOTE: The price is per piece (not per pack quantity). The total price will be reflected during the checkout process.



General Specifications: Black & White Orifice Tube w/Black Neoprene, O-Rings (R-12 & R-134a)

Additional Specification: NOTE: The price is per piece (not per pack quantity). The total price will be reflected during the checkout process.



General Specifications: Purple Orifice Tube w/Green HNBR, O-Rings (R-12 & R-134a)

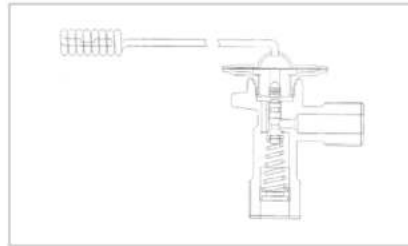


General Specifications: White Orifice Tube w/Black Neoprene, O-Rings (R-12 & R-134a)

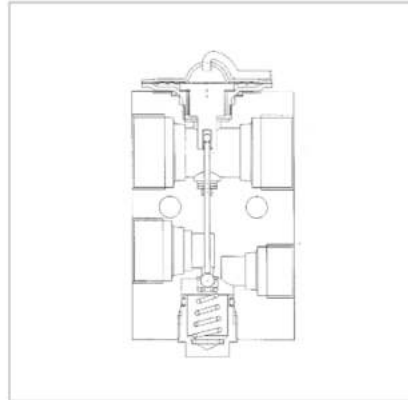
Service Tips

*The expansion valve acts as a refrigerant metering device that creates a temperature/pressure drop. This device also divides the system into two zones; high-pressure and low-pressure.*

Expansion Valve Service Tips	
<b>Block Valve Failure</b>	The most common block valve failure is due to the loss of gas pressure inside the Power Head.
<b>Plugged Expansion Valve</b>	Plugged expansion valves cannot be flushed out, they must be replaced.
<b>Capillary Tube</b>	Verify the capillary tube is properly attached and insulated.
<b>Externally Equalized Tube</b>	Replace in the same place as the old tube.
<b>Refrigerant Check</b>	Ensure that refrigerant is flowing to the expansion valve prior to removing.
<b>Tip</b>	Expansion valve is normally replaced when the compressor is replaced.



Capillary Tube Design



Block Design







*Air Conditioning & Heating  
Replacement Parts*



2

WATER VALVES

# Water Valves

<b>Water Valve Specifications</b>	<b>206</b>
Cable-Controlled Water Valves	207
Electronic Water Valves	211
Knob-Operated Water Valves	213
Manual Heater Shutoff Water Valves	213
Water Valve Switch	213
<b>Heater Fittings</b>	<b>214</b>
<b>Actuators</b>	<b>215</b>
<b>Control Cables &amp; Assemblies</b>	<b>218</b>
<b>Control Knobs</b>	<b>218</b>
<b>Control Kits &amp; Modules</b>	<b>221</b>
<b>Control Assemblies &amp; Panels</b>	<b>222</b>



Call: 800.499.6849 for Technical Assistance

Availability of the products shown in this reference guide is subject to change without notice by Bergstrom, Inc.  
For the most current product information please visit the Bergstrom Distributor website at <https://shop.bergstrominc.com/>.

## 2

## Water Valve Specifications

WATER VALVES



Heater Hose Connection	Rotation	Part No
<b>Cable-Controlled Water Valves</b>		
5/8" x 5/8"	Pull to Open	<b>869621</b>
5/8" x 5/8"	Pull to Close	<b>869619</b>
5/8" x 5/8"	Pull to Open	<b>1000348350</b>
5/8" Hose 90° Elbow to 5/8" Hose	Pull to Close	<b>540024</b>
1/2" NPT to 1/2" Hose	Pull to Close	<b>540023</b>
5/8" x 5/8"	Pull to Open	<b>870084</b>
5/8" Hose to 5/8"	Pull to Open	<b>1000346874</b>
5/8" x 5/8" 90° Elbow	Pull to Open	<b>1000712039</b>
5/8" x 5/8"	Pull to Open	<b>B173089</b>
5/8" x 5/8" Automotive Type In-Line	Pull to Open	<b>B173131</b>
5/8" x 5/8"	Pull to Open	<b>B173148</b>
5/8" x 5/8"	Pull to Open	<b>B173090</b>
5/8" x 5/8"	Counterclockwise to Open	<b>B330393</b>
5/8" x 5/8"	Pull to Open with mounting bracket	<b>1000373961</b>
5/8" x 5/8"	Pull to Close	<b>1000346064</b>
5/8" x 5/8"	Pull to Open	<b>1000488420</b>
5/8" x 5/8"	Pull to Close	<b>1000373641</b>
5/8" x 5/8" 90° Elbow	Pull to Open	<b>1000346059</b>
5/8" Hose to 5/8" Hose to 90° Elbow	Pull to Open	<b>1000348325</b>
5/8" x 5/8"	Pull to Open	<b>1000348343</b>
5/8" x 5/8"	Pull to Open	<b>1000346073</b>
5/8" x 5/8" x 5/8"	Push to Open	<b>B173140</b>
5/8" x 5/8" and 3/4" x 3/4"	Pull to Open	<b>B173142</b>
5/8" x 3/4"	Pull to Close	<b>1000347338</b>
5/8" x 3/4"	Pull to Open	<b>1000373395</b>
5/8" x 3/4"	Pull to Close	<b>1000399625</b>
5/8" x 3/4"	Pull to Open	<b>1000373392</b>
1" x 5/8"	Pull to Open	<b>1000071226</b>
1" x 5/8"	Pull to Open	<b>1000409989</b>
1" x 5/8"	Pull to Open	<b>1000346164</b>
1" x 1"	Pull to Open	<b>B173153</b>
1" x 1"	Pull to Open	<b>1000416160</b>
1" x 1"	Pull to Open	<b>1000715576</b>
1" x 1"	-	<b>1000634446</b>

Heater Hose Connection	Rotation	Part No
<b>Electronic Water Valves</b>		
5/8" x 5/8"	Electronic	<b>1002895726</b>
5/8" x 5/8"	Counterclockwise to Open	<b>1002921593</b>
5/8" x 5/8"	Counterclockwise to Open	<b>1000472099</b>
5/8" x 5/8"	Clockwise to Open	<b>1000346836</b>
5/8" x 5/8"	Clockwise to Open	<b>1000220935</b>
5/8" x 5/8"	Clockwise to Open	<b>1000293121</b>
5/8" x 5/8"	Counterclockwise to Open	<b>1000513101</b>
5/8" x 5/8" 90° Elbow	Counterclockwise to Open	<b>1002942477</b>
5/8" Heater Hose Connection	Clockwise to Open	<b>1000451925</b>
5/8" Heater Hose Connection	Clockwise to Open	<b>1000406312</b>
5/8" x 1"	Clockwise to Open	<b>1000235880</b>
3/4" x 3/4"	-	<b>869595</b>
1" x 1"	Clockwise to Open	<b>1000346774</b>
1" x 1"	Clockwise to Open	<b>1000431722</b>
Electronic Water Valve	-	<b>869856</b>
Electronic Water Valve Assembly	-	<b>B417227</b>
<b>Knob-Operated Water Valves</b>		
5/8" x 5/8" Automotive Type In-Line		<b>869310</b>
<b>Manual Heater Shutoff Valves</b>		
3/8" Female NPT to 3/8" NPT	Manual heater shut off (Gate Type)	<b>540309</b>
3/8" Female NPT to 1/2" NPT	By Hand	<b>540310</b>
5/8" x 5/8"	Manual heater shut off (T-Handle Type)	<b>869281</b>
5/8" Hose x 3/8" Male Pipe	Manual heater shut off (Gate Type)	<b>540308</b>
5/8" Hose to 1/2" Male Pipe	Manual heater shut off (Gate Type)	<b>869187</b>
5/8" x 5/8"	Ball Type	<b>871288-S</b>
3/4" Hose to 1/2" Male Pipe	Manual heater shut off (Gate Type)	<b>540085</b>
3/4" x 3/4"	Manual heater shut off (T-Handle Type)	<b>540294</b>
1" x 1"	Ball Type	<b>869485</b>

\* Loosen set screws to rotate 90° elbow if different position is necessary.  
 ‡ Air operated water valves require 80 to 120 psi of air to operate. Air supply threads are 1/8"-27 NPT.

# Water Valve Specifications

## Cable-Controlled Water Valves

**Part No: 540023**



Rotation: Pull to Close  
Heater Hose Connection: 1/2" NPT to 1/2" Hose

**Part No: 540024**



Rotation: Pull to Close  
Heater Hose Connection: 5/8" Hose 90° Elbow to 5/8" Hose

**Part No: 869619**



Rotation: Pull to Close  
Heater Hose Connection: 5/8" x 5/8"

**Part No: 869621**



Rotation: Pull to Open  
Heater Hose Connection: 5/8" x 5/8"

**Part No: 870084**



Rotation: Pull to Open  
Heater Hose Connection: 5/8" x 5/8"

**Part No: 1000071226**



Rotation: Pull to Open  
Heater Hose Connection: 1" x 5/8"

**Part No: 1000346059**



Rotation: Pull to Open  
Heater Hose Connection: 5/8" x 5/8" 90° Elbow  
Flow: Bidirectional

**Part No: 1000346064**



Rotation: Pull to Close  
Heater Hose Connection: 5/8" x 5/8"  
Flow: Bidirectional

**Part No: 1000346073**



Rotation: Pull to Open  
Heater Hose Connection: 5/8" x 5/8"  
Flow: Bidirectional

WATER VALVES



2

Water Valve Specifications

WATER VALVES




**Part No: 1000346874**



Rotation: Pull to Open  
 Heater Hose Connection: 5/8" Hose to 5/8"  
 Flow: Bidirectional

**Part No: 1000346164**



Rotation: Pull to Open  
 Heater Hose Connection: 1" x 5/8"  
 Flow: Bidirectional

**Part No: 1000347338**



Rotation: Pull to Close  
 Heater Hose Connection: 5/8" x 3/4"  
 Flow: Bidirectional

**Part No: 1000348325**



Rotation: Pull to Open  
 Heater Hose Connection: 5/8" Hose to 5/8" Hose to 90° Elbow  
 Flow: Bidirectional

**Part No: 1000348343**



Rotation: Pull to Open  
 Heater Hose Connection: 5/8" x 5/8"  
 Flow: Bidirectional

**Part No: 1000348350**



Rotation: Pull to Open  
 Heater Hose Connection: 5/8" x 5/8"  
 Flow: Bidirectional

**Part No: 1000373392**



Rotation: Pull to Open  
 Heater Hose Connection: 5/8" x 3/4"  
 Flow: Bidirectional

**Part No: 1000373395**



Rotation: Pull to Open  
 Heater Hose Connection: 5/8" x 3/4"  
 Flow: Bidirectional

**Part No: 1000373641**



Rotation: Pull to Close  
 Heater Hose Connection: 5/8" x 5/8"  
 Flow: Bidirectional



# Water Valve Specifications

2

**Part No: 1000373961**



Rotation: Pull to Open with mounting bracket  
 Heater Hose Connection: 5/8" x 5/8"  
 Flow: Bidirectional

**Part No: 1000399625**



Rotation: Pull to Close  
 Heater Hose Connection: 5/8" x 3/4"

**Part No: 1000409989**



Rotation: Pull to Open  
 Heater Hose Connection: 1" x 5/8"  
 Flow: Bidirectional

**Part No: 1000416160**



Rotation: Pull to Open  
 Heater Hose Connection: 1" x 1"  
 Flow: Bidirectional

**Part No: 1000488420**



Rotation: Pull to Open  
 Heater Hose Connection: 5/8" x 5/8"  
 Flow: Bidirectional

**Part No: 1000634446**



Heater Hose Connection: 1" x 1"

**Part No: 1000712039**



Rotation: Pull to Open  
 Heater Hose Connection: 5/8" x 5/8" 90° Elbow

**Part No: 1000715576**



Rotation: Pull to Open  
 Heater Hose Connection: 1" x 1"  
 Flow: Bidirectional

**Part No: B173089**



Rotation: Pull to Open  
 Heater Hose Connection: 5/8" x 5/8"

WATER VALVES



2

# Water Valve Specifications

**Part No: B173090**



Rotation: Pull to Open  
Heater Hose Connection: 5/8" x 5/8"

**Part No: B173131**



Rotation: Pull to Open  
Heater Hose Connection: 5/8" x 5/8" Automotive Type In-Line

**Part No: B173140**



Rotation: Push On  
Heater Hose Connection: 5/8" x 5/8" x 5/8"

**Part No: B173142**




Rotation: Pull to Open  
Heater Hose Connection: 5/8" x 5/8", 3/4" x 3/4"

**Part No: B173148**



Rotation: Pull to Open  
Heater Hose Connection: 5/8" x 5/8"

**Part No: B173153**



Rotation: Pull to Open  
Heater Hose Connection: 1" x 1"

**Part No: B330393**



Rotation: Counterclockwise to Open  
Heater Hose Connection: 5/8" x 5/8"

WATER VALVES



## Water Valve Specifications

2

### Electronic Water Valves

**Part No: 869595**



Heater Hose Connection: 3/4" x 3/4"

**Part No: 869856**



**Part No: 1000220935**



Rotation: Clockwise to Open  
Heater Hose Connection: 5/8" x 5/8"

**Part No: 1000235880**



Rotation: Clockwise to Open  
Heater Hose Connection: 5/8" x 1"  
Flow: Bidirectional

**Part No: 1000293121**



Rotation: Clockwise to Open  
Heater Hose Connection: 5/8" x 5/8"  
Flow: Bidirectional

**Part No: 1000346774**



Rotation: Clockwise to Open  
Heater Hose Connection: 1" x 1"  
Flow: Bidirectional

**Part No: 1000346836**



Rotation: Clockwise to Open  
Heater Hose Connection: 5/8" x 5/8"  
Flow: Bidirectional

**Part No: 1000406312**



Rotation: Clockwise to Open  
Heater Hose Connection: 5/8" Heater Hose Connection  
Flow: Bidirectional

**Part No: 1000431722**



Rotation: Clockwise to Open  
Heater Hose Connection: 1" x 1"  
Flow: Bidirectional

WATER VALVES



2

Water Valve Specifications

WATER VALVES



**Part No: 1000451925**

Rotation: Clockwise to Open  
 Heater Hose Connection: 5/8" Heater Hose Connection  
 Flow: Bidirectional

**Part No: 1000472099**

Rotation: Counterclockwise to Open  
 Heater Hose Connection: 5/8" x 5/8"  
 Flow: Bidirectional

**Part No: 1000513101**

Rotation: Counterclockwise to Open  
 Heater Hose Connection: 5/8" x 5/8"  
 Flow: Bidirectional

**Part No: 1002862005**

Rotation: Electronic

**Part No: 1002895726**

Rotation: Electronic  
 Heater Hose Connection: 5/8" x 5/8"

**Part No: 1002895729**

Rotation: Counterclockwise to Open  
 Length: 3 1/2" (88.4mm)mm  
 Heater Hose Connection: 5/8" x 5/8" 90°  
 Height: 3 15/16" (99.64mm)

**Part No: 1002942476**

Rotation: Counterclockwise to Open  
 Heater Hose Connection: 5/8" x 5/8" 90°  
 Flow: Bidirectional

**Part No: 1002942477**

Rotation: Counterclockwise to Open  
 Length: 4 53/64" (122.9mm)  
 Heater Hose Connection: 5/8" x 5/8" 90° Elbow  
 Height: 3 13/32" (86.6mm)  
 Connector: Packard 12052848

**Part No: 1002921593**

Rotation: Counterclockwise to Open  
 Heater Hose Connection: 5/8" x 5/8"  
 Flow: Bidirectional

# Water Valve Specifications



## Knob-Operated Water Valves



## Water Valve Switch



## Manual Heater Shutoff Water Valves



WATER VALVES



2

Heater Fittings

**Part No: 540309**



Rotation: Manual heater shut off (Gate Type)  
Heater Hose Connection: 3/8" Female NPT to 3/8" NPT

**Part No: 540310**



Rotation: Truck Type  
Heater Hose Connection: 3/8" Female NPT to 1/2" NPT

**Part No: 869187**



Rotation: Manual heater shut off (Gate Type)  
Heater Hose Connection: 5/8" Hose to 1/2" Male Pipe

**Part No: 869281**



Rotation: Manual heater shut off (T-Handle Type)  
Heater Hose Connection: 5/8" x 5/8"

**Part No: 869485**



Rotation: Ball Type  
Heater Hose Connection: 1" x 1"

**Part No: 871288-S**



Rotation: Ball Type  
Heater Hose Connection: 5/8" x 5/8"

WATER VALVES



Heater Fittings

**Part No: 525984**



Heater Hose Connection: 5/8" to 3/4" Heater Hose Adapter

**Part No: 550972**



Heater Hose Connection: 5/8" Heater Hose Splice

**Part No: 869193**



Heater Hose Connection: 3/4" Heater Hose Splice

**Actuators**

**2**

**Part No: B330155**



Length: 4 1/2" (114.3mm)  
Heater Hose Connection: 5/8" Heater Hose Connection

**Part No: B330245**



Material: Copper  
Heater Hose Connection: 5/8" x 5/8" 90° Elbow

**Part No: B330308**



Length: 4 1/2" (4.5mm)  
Heater Hose Connection: 3/4" Heater Hose Connection

**Part No: B330369**



Length: 3 1/8" (3.12mm)  
Heater Hose Connection: 5/8" x 3/4"

**Part No: B330379**



Length: 2 1/2" (63.5mm)  
Heater Hose Connection: 5/8" Heater Hose T Splice

**Part No: B405429**



Heater Hose Connection: 5/8" Y Splicer

WATER VALVES



**Actuators**

**Part No: 650951**



General Specifications: Manual Actuator  
Voltage: 12V  
Connector: Packard 12040953

**Part No: 651272**



General Specifications: Actuator  
Voltage: 12V

**Part No: 651273**



General Specifications: 104 Degree CW Actuator  
Voltage: 12V  
Connector: Packard 12040953



2

Actuators

**Part No: 890071**



General Specifications: 120 Degree CCW Electrical Door Actuator Kit  
 Voltage: 12V  
 Connector: Packard 12040953

**Part No: 1000039630**



General Specifications: Actuator  
 Voltage: 12V  
 Connector: Packard 12052848

**Part No: 1000477176**



General Specifications: Actuator  
 Voltage: 12V  
 Connector: Packard 12040953

**Part No: 1000593040**



General Specifications: 217 Degree CCW Actuator  
 Voltage: 12V  
 Connector: Packard 12052848

**Part No: 1000593041**



General Specifications: 126 Degree CCW Sealed Actuator  
 Voltage: 12V  
 Connector: Packard 12052848

**Part No: 1000593042**



General Specifications: 120 Degree CCW Actuator  
 Voltage: 12V  
 Connector: Packard 12040953

**Part No: 1000593043**



General Specifications: 126 Degree CCW Actuator  
 Voltage: 12V  
 Connector: Packard 12040953

**Part No: 1000593044**



General Specifications: 126 Degree CW Actuator  
 Voltage: 12V  
 Connector: Packard 12040953

**Part No: 1000593045**



General Specifications: Actuator  
 Voltage: 12V  
 Connector: Packard 12040953

WATER VALVES





# Actuators

2

**Part No: 1000593047**



General Specifications: 104 Degree CW Actuator  
Voltage: 12V  
Connector: Packard 12040953

**Part No: 1000593048**



General Specifications: Sealed Hi-Temp w/Pot CW Actuator  
Voltage: 12V  
Connector: Packard 12052848

**Part No: 1000755681**



General Specifications: Pulse Count Motor Actuator  
Voltage: 12V  
Connector: Packard 153000027

**Part No: 1002003336**



General Specifications: Actuator  
Voltage: 12V  
Connector: Packard 12052848

**Part No: 1000206510**



General Specifications: 140 Degree Actuator  
Voltage: 12V  
Connector: Packard 12040953

**Part No: 1001272224**



General Specifications: Actuator, Vacuum  
Voltage: 12V  
Connector: Packard 12040953

Old Climatech	Peterbilt	International	Volvo	Mack	Freightliner	Kenworth	Bluebird	Part No
SR20000042		3542575C2						1002003336
SR20000037		3524465C1			BSM 650625			1000593040
MA1730		ZGG717057			VCC 32000022			1000039630
		3599602C1						1000477176
MA1705		2503207C1		7787-651261		651261		1000593044
SR20000071		ZGG717002	176279	7787-651259	BSM 328020			1000593043
MB0200-01S	P93CAB0200-01S	ZGG717063						1000593045
5X012834	5X012834	3685800C1				5X012834	00090191	1000593042
MA1725		ZGG717056			BOA 91594			1001272224
MA0200-01S	P93CAA0200-01S	ZGG717061						651273
SR2000045			BSM651291		BSM651291			1000593048
								1000593041

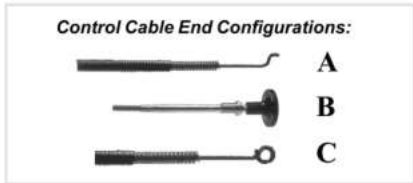
WATER VALVES



800.499.6849 • shop.bergstrominc.com

**2**

**Control Knobs  
Control Cables**



Cable Length	End 1	End 2	Part No
36" (914.4mm)	A	C	<b>525614</b>
31" (787.4)	A	Straight	<b>525413</b>
27 13/16" (706.4mm)	C	C	<b>1000875779</b>
48" (1219.2mm)	C	C	<b>525615</b>
70" (1778mm)	C	C	<b>1000875801</b>
50" (1270mm)	C	C	<b>1000875777</b>
64" (1625.6mm)	C	C	<b>1000875793</b>
43" (1092.2mm)	C	C	<b>1000875789</b>
76" (1930.4mm)	C	C	<b>1000875788</b>

Cable Length	End 1	End 2	Part No
18 5/8" (473.1mm)	C	C	<b>1000925201</b>
25" (635mm)	C	C	<b>1000876272</b>
40" (1016mm)	C	Detent	<b>530748</b>
50" (1270mm)	C	Detent	<b>530749</b>
40" (1016mm)	C	Detent	<b>530293</b>
30 11/16" (779.8mm)	C	Detent	<b>530300</b>
21 11/16" (551.2mm)	C	Detent	<b>1000255753</b>
43" (1092.2)	C	Straight	<b>1000860818</b>

WATER VALVES



**Part No: B509923**

Control Lever Weldment

**Part No: 525026**

Height: 35/64" (13.97mm)
Diameter: 31/32" (24.8mm)
Shaft Diameter: 1/4" (6.35mm)
Type: Set Screw

**Part No: 525047**

Height: 3/4" (19.05mm)
Diameter: 1 1/8" (28.448mm)
Shaft Diameter: 1/4" (6.35mm)
Type: Push On

**Part No: 525048**

Diameter: 5/8" (15.748mm)
Shaft Diameter: 1/4" (6.35mm)

## Control Knobs

2

**Part No: 525588**



Height: 3/4" (19mm)  
 Diameter: 1 7/64" (28.4mm)  
 Shaft Diameter: 1/4" (6.35mm)  
 Type: Push On

**Part No: 525812**



Height: 57/64" (22.71mm)  
 Diameter: 1 31/64" (38mm)  
 Type: Push On

**Part No: 525823**



Height: 61/64" (24.1mm)  
 Diameter: 1 5/8" (41.3mm)  
 Type: Push On

**Part No: 552500**



Height: 29/32" (23.0124mm)  
 Diameter: 1 1/16" (26.9748mm)  
 Type: Threaded

**Part No: 573260**



Height: 5/8" (15.875mm)  
 Diameter: 1 1/4" (31.75mm)  
 Shaft Diameter: 1/4" (6.35mm)  
 Type: Set Screw

**Part No: 589740**



Height: 29/32" (23.114mm)  
 Diameter: 15/32" (11.938mm)

**Part No: 650459**



Height: 1" (25.4mm)  
 Diameter: 1 1/2" (38.1mm)  
 Type: Push On

**Part No: 890077**



Height: 57/64" (22.71mm)  
 Diameter: 1 31/64" (38mm)  
 Type: Push On

**Part No: 1000224265**



WATER VALVES



2

Control Knobs

**Part No: B380007**



Height: 15/16" (23.8125mm)  
 Diameter: 7/8" (22.225mm)  
 Type: Pull Knob

**Part No: B380032**



Height: 11/16" (17.4625mm)  
 Diameter: 1" (25.4mm)  
 Shaft Diameter: 1/4" (6.35mm)  
 Type: Set Screw

**Part No: B380053**



Height: 19/32" (15.0876mm)  
 Diameter: 1" (25.4mm)  
 Type: Set Screw

**Part No: B380060**



Height: 21/31" (17.22mm)  
 Diameter: 1 1/8" (28.448mm)  
 Type: Set Screw

**Part No: B380061**



Height: 21/31" (17.1958mm)  
 Diameter: 1 1/8" (28.575mm)  
 Shaft Diameter: 1/4" (6.35mm)  
 Type: Set Screw

**Part No: B380076**



Height: 9/16" (14.2875mm)  
 Diameter: 1 1/16" (17.4625mm)  
 Shaft Diameter: 1/4" (6.35mm)  
 Type: Set Screw

**Part No: B380087**



Height: 37/64" (14.6812mm)  
 Diameter: 23/32" (18.2626mm)  
 Shaft Diameter: 1/4" (6.35mm)  
 Type: Set Screw

**Part No: B380088**



Height: 5/8" (15.875mm)  
 Diameter: 1" (25.4mm)  
 Shaft Diameter: 1/4" (6.35mm)  
 Type: Push On

**Part No: B380091**



Height: 5/8" (15.875mm)  
 Diameter: 1 1/8" (28.575mm)  
 Shaft Diameter: 1/4" (6.35mm)  
 Type: Push On

WATER VALVES



## Control Kits & Modules

2

**Part No: B380096**



Height: 3/4" (19.05mm)  
 Diameter: 1 1/2" (38.1mm)  
 Type: Set Screw

**Part No: B380099**



Height: 1 3/8" (34.925mm)  
 Diameter: 7/8" (22.225mm)  
 Shaft Diameter: 1/4" (6.35mm)  
 Type: Set Screw

**Part No: B380100**



Height: 5/8" (15.875mm)  
 Diameter: 5/8" (15.875mm)  
 Type: Push On

**Part No: B380102**



Height: 37/64" (14.732mm)  
 Diameter: 1 1/8" (28.448mm)  
 Type: Set Screw

**Part No: E525082**



Height: 61/64" (24.1mm)  
 Diameter: 1 5/8" (41.3mm)  
 Shaft Diameter: Used on 6.35 x 3.96 shafts  
 Type: Push On

## Control Kits & Modules

**Part No: 869703**



General Specifications: Knob, Switch Kit

**Part No: 1000135092**



General Specifications: Communication Board Kit

**Part No: 1000207781**



WATER VALVES



# 2

## Control Assemblies & Panels

Part No: 1002442276



General Specifications: Electrical Compressor Control Module

Part No: 1002825404



Control Unit with Adaptor, 12V

## Control Assemblies & Panels

Part No: 880014



General Specifications: Control, Thomas

Part No: 1000224260



General Specifications: Control Assembly

Part No: 1000135581



General Specifications: Control Assembly

Part No: 1001157329



Part No: 1001159300



Part No: 1001165354



WATER VALVES



# Control Assemblies & Panels

Part No: 1001229584



Part No: 1001229640



Part No: 1002865667



General Specifications: Electronic HVAC Control Panel

Part No: 1001327197



Part No: B360934



General Specifications: Control, Plate

WATER VALVES



800.499.6849 • shop.bergstrominc.com



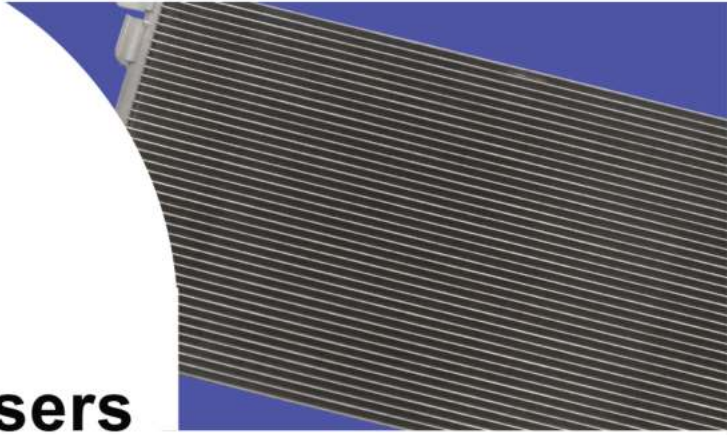




*Air Conditioning & Heating  
Replacement Parts*

# Condensers

<b>Condenser Coils</b>	<b>226</b>
Condenser Coil Specifications	226
<b>Typical Header Types</b>	<b>236</b>
<b>Service Tips</b>	<b>236</b>



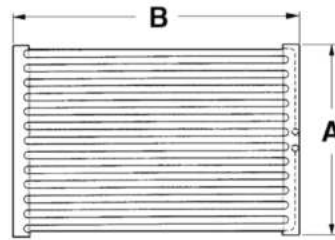
BUS

Call: 800.499.6849 for Technical Assistance

Availability of the products shown in this reference guide is subject to change without notice by Bergstrom, Inc.  
For the most current product information please visit the Bergstrom Distributor website at <https://shop.bergstrominc.com/>.

## 2

## Condenser Coils



## Legend:

A = Height  
 B = Length  
 M = Multi Flow  
 P = Parallel Flow  
 S = Serpentine  
 T & F = Tube & Fin

## Condenser Coil Specifications

Height (A)	Length (B)	Thickness	Type	Inlet	Outlet	Application	Part No
5 11/16" (143.6mm)	39 1/4" (996mm)	1" (25.4mm)	P	No. 8 (3/4"-16) Male O-Ring	No. 6 (5/8"-18) Male O-Ring	Volvo No: 21814392	1001275785
6 1/2" (165.1mm)	39 1/2" (1003.3mm)	1" (25.4mm)	S	No. 8 (3/4"-16) Male O-Ring	No. 6 (5/8"-18) Male O-Ring	Volvo No: 176158, Mack No: 210RD411M	1000699302
8" (203.2mm)	23 15/16" (607.9mm)	1 7/8" (47.6mm)	P	No. 8 (3/4"-16) Male O-Ring	No. 6 (5/8"-18) Male O-Ring	Volvo No: BSMB401102, Mack No: 7787-B401102	B401102
8 1/8" (206.6mm)	29 3/4" (755.7mm)	1" (25.4mm)	S	No. 8 (3/4"-16) Male O-Ring	No. 6 (5/8"-18) Male O-Ring	Kenworth No: K122-49	1000617101
9" (228.6mm)	23 3/4" (603.1mm)	2 1/2" (63.5mm)	T & F	No. 8 (3/4"-16) Male O-Ring	No. 6 (5/8"-18) Male O-Ring	-	B401080
9 15/16" (252mm)	29 1/8" (740mm)	7/8" (22.2mm)	P	No. 8 (3/4"-16) Male O-Ring	No. 6 (5/8"-18) Male O-Ring	Volvo No: BSM611022, Freightliner No: 22-32466-001	1000617152
9 15/16" (252mm)	29 1/8" (740mm)	7/8" (22.2mm)	P	No. 8 (3/4"-16) Male O-Ring	No. 6 (5/8"-18) Male O-Ring	Freightliner No: A22-24885-001	1000699317
10" (254mm)	24 1/8" (613mm)	2 1/2" (63.5mm)	T & F	No. 8 (3/4"-16) Male O-Ring	No. 6 (5/8"-18) Male O-Ring	-	1000320113
12" (304.8mm)	31 1/8" (791mm)	3 1/16" (78mm)	T & F	No. 8 (3/4"-16) Male O-Ring	No. 6 (5/8"-18) Male O-Ring	-	160017
12 13/32" (315mm)	16 7/8" (428.3mm)	13/16" (20mm)	-	Eutectic Tubes	Eutectic Tubes	Volvo Parking Cooler	1002104479
13 7/8" (352.4mm)	28 3/8" (721.1mm)	1" (25.4mm)	P	No. 8 (3/4"-16) Male O-Ring	No. 6 (5/8"-18) Male O-Ring	Volvo No: 8022509	1000699318
14" (355.6mm)	35 5/8" (904.9mm)	3/4" (19mm)	P	Pad Fitting	Pad Fitting	Peterbilt No: R0440001	1000305593
14" (355.6mm)	25 3/4" (654mm)	7/8" (22.2mm)	P	No. 8 (3/4"-16) Male O-Ring	No. 6 (5/8"-18) Male O-Ring	-	160161
14 7/8" (377.8mm)	29 13/16" (757.2mm)	7/8" (22.2mm)	S	No. 8 (3/4"-16) Male O-Ring	No. 6 (5/8"-18) Male O-Ring	Volvo No: BSM611015, Western Star No: 61203-3209	B401036
15" (381mm)	26 1/4" (666.8mm)	1 3/8" (35mm)	P	No. 8 (3/4"-16) Male O-Ring	No. 6 (5/8"-18) Male O-Ring	Volvo No: 8164786	1000617199
15 1/16" (382mm)	31 5/16" (795mm)	1 1/4" (31.8mm)	P	No. 8 (3/4"-16) Male O-Ring	No. 6 (5/8"-18) Male O-Ring	Peterbilt No: 18-03722	1000624015
16" (406.4mm)	30" (762mm)	3/4" (19mm)	T & F	No. 8 (3/4"-16) Male O-Ring	No. 8 (3/4"-16) Male O-Ring	Ford No: XC3Z-19712-CA	1000036702
16" (406.4mm)	33 1/2" (850.9mm)	3/4" (19mm)	P	Pad Fitting	Pad Fitting	Mack No: 210RD517M, 25192657	1000279367
16 1/4" (412mm)	33 9/16" (852mm)	7/8" (22.2mm)	P	No. 8 (3/4"-16) Male O-Ring	No. 6 (5/8"-18) Male O-Ring	Volvo No: 20461065	1000624642
16 3/4" (425.5mm)	33 5/16" (846.1mm)	3/4" (19mm)	P	Pad Mount	Pad Mount	International No: 2591621C91, Freightliner No: BSM100305619	1000305619
16 7/8" (428.6mm)	23 5/8" (600.1mm)	1" (25.4mm)	P	Block Type	Block Type	Freightliner No: BHT P5631001	1000036217
17" (431.8mm)	30 1/4" (768.4mm)	3/4" (19mm)	P	Block Type	Block Type	Chevy/GMC No: 15112434	1000036148
17 7/8" (454mm)	29 1/4" (743mm)	3/4" (19mm)	P	Block Fitting	Block Fitting	Peterbilt No: R0337001, Kenworth No: RO337001	1000305690

CONDENSERS



## Condenser Coils

2

### Condenser Coil Specifications

Height (A)	Length (B)	Thickness	Type	Inlet	Outlet	Application	Part No
18 3/16" (462mm)	36 1/2" (928mm)	7/8" (22.2mm)	P	No. 8 (3/4"-16) Male O-Ring	No. 6 Male O-Ring	Western Star No: 61203-3409	1000626822
18 5/16" (466mm)	32 1/2" (825mm)	5/8" (16mm)	P	Pad Fitting	Pad Fitting	International No: 2591836C91	1001493206
18 1/2" (482mm)	30 5/16" (770mm)	1" (25.4mm)	P	No. 8 (3/4"-16) Male O-Ring	No. 6 (5/8"-18) Male O-Ring	Mack No: 210RD511M	1000699300
18 1/2" (482mm)	27 15/16" (710mm)	1" (25.4mm)	P	No. 8 (3/4"-16) Male O-Ring	No. 6 (5/8"-18) Male O-Ring	Mack No: 210RD59M	1000626391
18 5/8" (482mm)	34 7/16" (875mm)	7/8" (22.2mm)	P	Block Type	Block Type	Freightliner No: A22-66824-000	1000626834
18 7/8" (479mm)	37 3/16" (945mm)	3/4" (19mm)	T & F	No. 8 (3/4"-16) Male O-Ring	No. 8 (3/4"-16) Male O-Ring	Ford No: F6HZ-19712-A	160146
19" (482.6mm)	26" (660.4mm)	5/8" (16mm)	P	No. 8 (3/4"-16) Male O-Ring	No. 8 (3/4"-16) Male O-Ring	Ford No: BHT 87164, Freightliner No: BHT 87164	1000036698
19" (482.6mm)	33 5/8" (854.1mm)	3/4" (19mm)	P	Block Type	Block Type	Freightliner No: 1E6069	1000039665
19" (482.6mm)	35 5/8" (904.9mm)	3/4" (19mm)	P	Pad Fitting	Pad Fitting	Peterbilt No: N4778001, Kenworth No: N4778001	1000305585
19 3/8" (492mm)	37 15/16" (937mm)	7/8" (22.2mm)	P	Pad Mount	Pad Mount	Freightliner No: A22-72459-000	1001188179
19 3/8" (492mm)	21 7/8" (555mm)	13/16" (20.2mm)	P	Pad Mount	Pad Mount	International No: 2507482C92	1000625337
19 5/8" (498.4mm)	32 1/8" (816mm)	5/8" (16mm)	P	Block Type	Block Type	Freightliner No: MOD 1E6068	1000039661
19 1/2" (495.3mm)	29" (736.6mm)	3/4" (19mm)	P	No. 8 (3/4"-16) Male O-Ring	No. 6 (5/8"-18) Male O-Ring	Mack No: 210RD510M	1000036526
19 3/4" (502mm)	34 7/16" (875mm)	7/8" (22.2mm)	P	No. 8 (3/4"-16) Male O-Ring	No. 6 (5/8"-18) Male O-Ring	International No: 3504377C1	1000617180
19 3/4" (502mm)	30 5/16" (770mm)	3/4" (19mm)	P	No. 8 (3/4"-16) Male O-Ring	No. 6 (5/8"-18) Male O-Ring	Kenworth No: K122-143	1000626828
19 7/8" (504.8mm)	34" (863.6mm)	3/4" (19mm)	P	No. 8 (3/4"-16) Male O-Ring	No. 6 (5/8"-18) Male O-Ring	Mack No: 210RD56M	160152
20" (508mm)	26 5/8" (676.3mm)	5/8" (16mm)	P	Pad Fitting	Pad Fitting	Peterbilt No: N4783001, Kenworth No: N4783001	1000305603
20" (508mm)	29 1/4" (743mm)	1" (25.4mm)	S	No. 8 (3/4"-16) Male O-Ring	No. 6 (5/8"-18) Male O-Ring	Volvo No: 25170652, Mack No: 210RD427	1000036207
20 1/16" (510mm)	33 1/2" (850.9mm)	5/8" (15.875mm)	P	Pad Fitting	Pad Fitting	Kenworth No: Z9206001	1001345364
20 1/8" (512mm)	28 3/4" (730.3mm)	1 5/8" (40.6mm)	P	No. 8 (3/4"-16) Male O-Ring	No. 6 (5/8"-18) Male O-Ring	Freightliner No: 22-39302-001	1000699312
20 1/8" (512mm)	34 1/4" (870mm)	7/8" (22.2mm)	P	No. 8 (3/4"-16) Male O-Ring	No. 6 (5/8"-18) Male O-Ring	Volvo No: BSM611023, Freightliner No: 22-42084-002	1000699305
20 1/8" (512mm)	30 5/16" (770mm)	7/8" (22.2mm)	P	No. 8 (3/4"-16) Male O-Ring	No. 6 (5/8"-18) Male O-Ring	Freightliner No: 22-43941-000	1000699306
20 3/16" (512mm)	26 3/4" (679.5mm)	7/8" (22.2mm)	P	No. 8 (3/4"-16) Male O-Ring	No. 6 (5/8"-18) Male O-Ring	Volvo No: BSM611024, Freightliner No: 680-830-03-70	1000699304
20 7/16" (520mm)	28 3/4" (730.3mm)	5/8" (16mm)	P	Pad Fitting	Pad Fitting	Freightliner No: A22-72252-000	1001345354
20 15/16" (532mm)	30 5/16" (770mm)	7/8" (22.2mm)	P	No. 8 (3/4"-16) Male O-Ring	No. 6 (5/8"-18) Male O-Ring	Kenworth No: K122-125	1000625091
21 3/8" (542mm)	30 1/2" (774.7mm)	1" (25.4mm)	P	No. 8 (3/4"-16) Male O-Ring	No. 6 (5/8"-18) Male O-Ring	Mack No: 210RD428	1000699298
22" (558.8mm)	27" (685.8mm)	1" (25.4mm)	T & F	No. 8 (3/4"-16) Male O-Ring	No. 6 (5/8"-18) Male O-Ring	Ford No: F4HZ-19712-A	160144
22 3/8" (567mm)	34 7/16" (875mm)	5/8" (16mm)	P	Pad Fitting	Pad Fitting	Volvo No: RDHRD473060P, Mack No: 4379-RD473060P, Freightliner No: A22-72250-000	1001345260
22 15/16" (582.2mm)	26 7/16" (672mm)	1" (25.4mm)	T & F	No. 8 (3/4"-16) Male O-Ring	No. 6 (5/8"-18) Male O-Ring	International No: 2515866C1	1000699299
23 5/16" (592.1mm)	30 15/16" (785mm)	1" (25.4mm)	P	No. 8 (3/4"-16) Male O-Ring	No. 6 (5/8"-18) Male O-Ring	Mack No: 210RD418	1000625364

CONDENSERS



800.499.6849 • shop.bergstrominc.com

227

2

# Condenser Coils

## Condenser Coil Specifications

Height (A)	Length (B)	Thickness	Type	Inlet	Outlet	Application	Part No
23 11/16" (602mm)	27 9/16" (700mm)	7/8" (22.2mm)	T & F	No. 8 (3/4"-16) Male O-Ring	No. 6 (5/8"-18) Male O-Ring	International No: 2004801C4	<b>1000699309</b>
23 3/4" (603.3mm)	30" (762mm)	3/4" (19mm)	P	Block Type	Block Type	Peterbilt No: F31-6043	<b>1000036679</b>
23 3/4" (603.3mm)	30 3/4" (781mm)	3/4" (19mm)	T & F	Block Fitting	Block Fitting	Peterbilt No: F31-6064	<b>1000305617</b>
24 1/8" (612mm)	21 3/8" (542.3mm)	5/8" (16mm)	P	Pad Mount	Pad Mount	International No: 2585373C2	<b>1000617204</b>
24 3/8" (618mm)	21 3/8" (542.3mm)	5/8" (16mm)	P	Pad Mount	Pad Mount	International No: 2586812C91	<b>160198</b>
24 7/8" (632.2mm)	31 11/16" (804.9mm)	15/16" (23.8mm)	P	Block Fitting	Block Fitting	Peterbilt No: 1E4582	<b>1000699320</b>
26" (660.4mm)	26 3/4" (679.5mm)	3/4" (19mm)	P	No. 8 (3/4"-16) Male O-Ring	No. 6 (5/8"-18) Male O-Ring	Freightliner No: 22-45017-000	<b>1000036222</b>
26 1/16" (662mm)	26 11/16" (678mm)	1" (25.4mm)	T & F	No. 8 (3/4"-16) Male O-Ring	No. 6 (5/8"-18) Male O-Ring	International No: 2000655C2	<b>1000625142</b>
27" (685.8mm)	26" (660.4mm)	3/4" (19mm)	T & F	No. 8 (3/4"-16) Male O-Ring	No. 6 (5/8"-18) Male O-Ring	International No: 2009378C2	<b>160041</b>
27" (685.8mm)	30 1/2" (774.7mm)	15/16" (23.8mm)	P	No. 8 (3/4"-16) Male O-Ring	No. 6 (5/8"-18) Male O-Ring	International No: 1667340C5	<b>1000625201</b>
28" (711.2mm)	29 1/8" (740mm)	1 1/4" (31.8mm)	P	No. 8 (3/4"-16) Male O-Ring	No. 6 (5/8"-18) Male O-Ring	Peterbilt No: 18-04015	<b>1000624329</b>
31" (787.4mm)	29 1/2" (749.3mm)	1 1/4" (31.8mm)	T & F	No. 8 (3/4"-16) Male O-Ring	No. 6 (5/8"-18) Male O-Ring	Peterbilt No: F31-6097	<b>1000161287</b>

CONDENSERS



**Part No: 160017**

Length: 31 1/8" (791mm)	Type: Tube & Fin
Thickness: 3 1/16" (78mm)	Inlet: No. 8 (3/4"-16) Male O-Ring
Height: 12" (304.8mm)	Outlet: No. 6 (5/8"-18) Male O-Ring

**Part No: 160041**

Length: 26" (660.4mm)	Type: Tube & Fin
Thickness: 3/4" (19mm)	Inlet: No. 8 (3/4"-16) Male O-Ring
Height: 27" (685.8mm)	Outlet: No. 6 (5/8"-18) Male O-Ring
International Cross Reference No.: 2009378C2	

**Part No: 160144**

Length: 27" (685.8mm)	Type: Tube & Fin
Thickness: 1" (25.4mm)	Inlet: No. 8 (3/4"-16) Male O-Ring
Height: 22" (558.8mm)	Outlet: No. 6 (5/8"-18) Male O-Ring
Ford Cross Reference No.: F4HZ-19712-A	

## Condenser Coils

2

**Part No: 160146**



Length: 37 3/16" (945mm)	Type: Tube & Fin
Thickness: 3/4" (19mm)	Inlet: No. 8 (3/4"-16) Male O-Ring
Height: 18 7/8" (479mm)	Outlet: No. 8 (3/4"-16) Male O-Ring
Ford Cross Reference No.: F6HZ-19712-A	

**Part No: 160152**



Length: 34" (863.6mm)	Type: Parallel Flow
Thickness: 3/4" (19mm)	Inlet: No. 8 (3/4"-16) Male O-Ring
Height: 19 7/8" (504.8mm)	Outlet: No. 6 (5/8"-18) Male O-Ring
Mack Cross Reference No.: 210RD56M	

**Part No: 160161**



Length: 25 3/4" (654mm)	Type: Parallel Flow
Thickness: 7/8" (22.2mm)	Inlet: No. 8 (3/4"-16) Male O-Ring
Height: 14" (355.6mm)	Outlet: No. 6 (5/8"-18) Male O-Ring

**Part No: 160198**



Length: 21 3/8" (542.3mm)	Type: Parallel Flow
Thickness: 5/8" (16mm)	Inlet: Pad Mount
Height: 24 3/8" (618mm)	Outlet: Pad Mount
International Cross Reference No.: 2586812C91	

**Part No: 1000036148**



Length: 30 1/4" (768.4mm)	Type: Parallel Flow
Thickness: 3/4" (19mm)	Inlet: Block Type
Height: 17" (431.8mm)	Outlet: Block Type
Chevy/GMC Cross Reference No.: 15112434	

**Part No: 1000036702**



Length: 30" (762mm)	Type: Tube & Fin
Thickness: 3/4" (19mm)	Inlet: No. 8 (3/4"-16) Male O-Ring
Height: 16" (406.4mm)	Outlet: No. 8 (3/4"-16) Male O-Ring
Ford Cross Reference No.: XC3Z-19712-CA	

**Part No: 1000036217**



Length: 23 5/8" (600.1mm)	Type: Parallel Flow
Thickness: 1" (25.4mm)	Inlet: Block Type
Height: 16 7/8" (428.6mm)	Outlet: Block Type
Freightliner OEM Cross Reference No.: BHT P5631001	

**Part No: 1000036222**



Length: 26 3/4" (679.5mm)	Type: Tube & Fin
Thickness: 3/4" (19mm)	Inlet: No. 8 (3/4"-16) Male O-Ring
Height: 26" (660.4mm)	Outlet: No. 6 (5/8"-18) Male O-Ring
Freightliner OEM Cross Reference No.: 22-45017-000	

**Part No: 1000036526**



Length: 29" (736.6mm)	Type: Parallel Flow
Thickness: 3/4" (19mm)	Inlet: No. 8 (3/4"-16) Male O-Ring
Height: 19 1/2" (495.3mm)	Outlet: No. 6 (5/8"-18) Male O-Ring
Mack Cross Reference No.: 210RD510M	

CONDENSERS



**2**

**Condenser Coils**

**Part No: 1000036679**



Length: 30" (762mm)	Type: Parallel Flow
Thickness: 3/4" (19mm)	Inlet: Block Type
Height: 23 3/4" (603.3mm)	Outlet: Block Type
Peterbilt Cross Reference No.: F31-6043	

**Part No: 1000036698**



Length: 26" (660.4mm)	Type: Parallel Flow
Thickness: 5/8" (16mm)	Inlet: No. 8 (3/4"-16) Male O-Ring
Height: 19" (482.6mm)	Outlet: No. 8 (3/4"-16) Male O-Ring
Freightliner OEM Cross Reference No.: BHT 87164	Ford Cross Reference No.: BHT 87164

**Part No: 1000036207**



Length: 29 1/4" (743mm)	Type: Serpentine
Thickness: 1" (25.4mm)	Inlet: No. 8 (3/4"-16) Male O-Ring
Height: 20" (508mm)	Outlet: No. 6 (5/8"-18) Male O-Ring
Mack Cross Reference No.: 210RD427	Volvo Cross Reference No.: 25170652

**Part No: 1000039661**



Length: 32 1/8" (816mm)	Type: Parallel Flow
Thickness: 5/8" (16mm)	Inlet: Block Type
Height: 19 5/8" (498.4mm)	Outlet: Block Type
Freightliner OEM Cross Reference No.: MOD 1E6068	

**Part No: 1000039665**



Length: 33 5/8" (854.1mm)	Type: Parallel Flow
Thickness: 3/4" (19mm)	Inlet: Block Type
Height: 19" (482.6mm)	Outlet: Block Type
Peterbilt Cross Reference No.:	Ford Cross Reference No.:
Freightliner OEM Cross Reference No.: 1E6069	

**Part No: 1000161287**



Length: 29 1/2" (749.3mm)	Type: Tube & Fin
Thickness: 1 1/4" (31.8mm)	Inlet: No. 8 (3/4"-16) Male O-Ring
Height: 31" (787.4mm)	Outlet: No. 6 (5/8"-18) Male O-Ring
Peterbilt Cross Reference No.: F31-6097	

**Part No: 1000279367**



Length: 33 1/2" (850.9mm)	Type: Parallel Flow
Thickness: 3/4" (19mm)	Inlet: Pad Fitting
Height: 16" (406.4mm)	Outlet: Pad Fitting
Mack Cross Reference No.: 210RD517M, 25192657	

**Part No: 1000305585**



Length: 35 5/8" (904.9mm)	Type: Parallel Flow
Thickness: 3/4" (19mm)	Inlet: Pad Fitting
Height: 19" (482.6mm)	Outlet: Pad Fitting
Peterbilt Cross Reference No.: N4778001	Kenworth Cross Reference No.: N4778001

**Part No: 1000305593**



Length: 35 5/8" (904.9mm)	Type: Parallel Flow
Thickness: 3/4" (19mm)	Inlet: Pad Fitting
Height: 14" (355.6mm)	Outlet: Pad Fitting
Peterbilt Cross Reference No.: R0440001	

CONDENSERS



## Condenser Coils

2

**Part No: 1000305603**



Length: 26 5/8" (676.3mm)	Type: Parallel Flow
Thickness: 5/8" (16mm)	Inlet: Pad Fitting
Height: 20" (508mm)	Outlet: Pad Fitting
Peterbilt Cross Reference No.: N4783001	Kenworth Cross Reference No.: N4783001

**Part No: 1000305617**



Length: 30 3/4" (781mm)	Type: Tube & Fin
Thickness: 3/4" (19mm)	Inlet: Block Fitting
Height: 23 3/4" (603.3mm)	Outlet: Block Fitting
Peterbilt Cross Reference No.: F31-6064	

**Part No: 1000305619**



Length: 33 5/16" (846.1mm)	Type: Parallel Flow
Thickness: 3/4" (19mm)	Inlet: Pad Mount
Height: 16 3/4" (425.5mm)	Outlet: Pad Mount
International Cross Reference No.: 2591621C91	Freightliner OEM Cross Reference No.: BSM100305619

**Part No: 1000305690**



Length: 29 1/4" (743mm)	Type: Parallel Flow
Thickness: 3/4" (19mm)	Inlet: Block Fitting
Height: 17 7/8" (454mm)	Outlet: Block Fitting
Peterbilt Cross Reference No.: R0337001	Kenworth Cross Reference No.: R0337001

**Part No: 1000320113**



Length: 24 1/8" (613mm)	Type: Tube & Fin
Thickness: 2 1/2" (63.5mm)	Inlet: No. 8 (3/4"-16) Male O-Ring
Height: 10" (254mm)	Outlet: No. 6 (5/8"-18) Male O-Ring

**Part No: 1000617101**



Length: 29 3/4" (755.7mm)	Type: Serpentine
Thickness: 1" (25.4mm)	Inlet: No. 8 (3/4"-16) Male O-Ring
Height: 8 1/8" (206.6mm)	Outlet: No. 6 (5/8"-18) Male O-Ring
Kenworth Cross Reference No.: K122-49	

**Part No: 1000617152**



Length: 29 1/8" (740mm)	Type: Parallel Flow
Thickness: 7/8" (22.2mm)	Inlet: No. 8 (3/4"-16) Male O-Ring
Height: 9 15/16" (252mm)	Outlet: No. 6 (5/8"-18) Male O-Ring
Freightliner OEM Cross Reference No.: 22-32466-001	Volvo Cross Reference No.: BSM611022

**Part No: 1000617180**



Length: 34 7/16" (875mm)	Type: Parallel Flow
Thickness: 7/8" (22.2mm)	Inlet: No. 8 (3/4"-16) Male O-Ring
Height: 19 3/4" (502mm)	Outlet: No. 6 (5/8"-18) Male O-Ring
International Cross Reference No.: 3504377C1	

**Part No: 1000617199**



Length: 26 1/4" (666.8mm)	Type: Parallel Flow
Thickness: 1 3/8" (35mm)	Inlet: No. 8 (3/4"-16) Male O-Ring
Height: 15" (381mm)	Outlet: No. 6 (5/8"-18) Male O-Ring
Volvo Cross Reference No.: 8164786	

CONDENSERS



800.499.6849 • shop.bergstrominc.com

**2**

**Condenser Coils**

**Part No: 1000617204**



Length: 21 3/8" (542.3mm)	Type: Parallel Flow
Thickness: 5/8" (16mm)	Inlet: Pad Mount
Height: 24 1/8" (612mm)	Outlet: Pad Mount
International Cross Reference No.: 2585373C2	

**Part No: 1000624015**



Length: 31 5/16" (795mm)	Type: Parallel Flow
Thickness: 1 1/4" (31.8mm)	Inlet: No. 8 (3/4"-16) Male O-Ring
Height: 15 1/16" (382mm)	Outlet: No. 6 (5/8"-18) Male O-Ring
Peterbilt Cross Reference No.: 18-03722	

**Part No: 1000624329**



Length: 29 1/8" (740mm)	Type: Parallel Flow
Thickness: 1 1/4" (31.8mm)	Inlet: No. 8 (3/4"-16) Male O-Ring
Height: 28" (711.2mm)	Outlet: No. 6 (5/8"-18) Male O-Ring
Peterbilt Cross Reference No.: 18-04015	

**Part No: 1000624642**



Length: 33 9/16" (852mm)	Type: Parallel Flow
Thickness: 7/8" (22.2mm)	Inlet: No. 8 (3/4"-16) Male O-Ring
Height: 16 1/4" (412mm)	Outlet: No. 6 (5/8"-18) Male O-Ring
Volvo Cross Reference No.: 20461065	

**Part No: 1000625091**



Length: 30 5/16" (770mm)	Type: Parallel Flow
Thickness: 7/8" (22.2mm)	Inlet: No. 8 (3/4"-16) Male O-Ring
Height: 20 15/16" (532mm)	Outlet: No. 6 (5/8"-18) Male O-Ring
Kenworth Cross Reference No.: K122-125	

**Part No: 1000625142**



Length: 26 11/16" (678mm)	Type: Tube & Fin
Thickness: 1" (25.4mm)	Inlet: No. 8 (3/4"-16) Male O-Ring
Height: 26 1/16" (662mm)	Outlet: No. 6 (5/8"-18) Male O-Ring
International Cross Reference No.: 2000655C2	

**Part No: 1000625201**



Length: 30 1/2" (774.7mm)	Type: Parallel Flow
Thickness: 15/16" (23.8mm)	Inlet: No. 8 (3/4"-16) Male O-Ring
Height: 27" (685.8mm)	Outlet: No. 6 (5/8"-18) Male O-Ring
International Cross Reference No.: 1667340C5	

**Part No: 1000625337**



Length: 21 7/8" (555mm)	Type: Parallel Flow
Thickness: 13/16" (20.2mm)	Inlet: Pad Mount
Height: 19 3/8" (492mm)	Outlet: Pad Mount
International Cross Reference No.: 2507482C92	

**Part No: 1000625364**



Length: 30 15/16" (785mm)	Type: Parallel Flow
Thickness: 1" (25.4mm)	Inlet: No. 8 (3/4"-16) Male O-Ring
Height: 23 5/16" (592.1mm)	Outlet: No. 6 (5/8"-18) Male O-Ring
Mack Cross Reference No.: 210RD418	

CONDENSERS





## Condenser Coils

2

**Part No: 1000626391**



Length: 27 15/16" (710mm)	Type: Parallel Flow
Thickness: 1" (25.4mm)	Inlet: No. 8 (3/4"-16) Male O-Ring
Height: 18 1/2" (482mm)	Outlet: No. 6 (5/8"-18) Male O-Ring
Mack Cross Reference No.: 210RD59M	

**Part No: 1000626822**



Length: 36 1/2" (928mm)	Type: Parallel Flow
Thickness: 7/8" (22.2mm)	Inlet: No. 8 (3/4"-16) Male O-Ring
Height: 18 3/16" (462mm)	Outlet: No. 6 Male O-Ring
Western Star Cross Reference No.: 61203-3409	

**Part No: 1000626828**



Length: 30 5/16" (770mm)	Type: Parallel Flow
Thickness: 3/4" (19mm)	Inlet: No. 8 (3/4"-16) Male O-Ring
Height: 19 3/4" (502mm)	Outlet: No. 6 (5/8"-18) Male O-Ring
Kenworth Cross Reference No.: K122-143	

**Part No: 1000626834**



Length: 34 7/16" (875mm)	Type: Parallel Flow
Thickness: 7/8" (22.2mm)	Inlet: Block Type
Height: 18 5/8" (482mm)	Outlet: Block Type
Freightliner OEM Cross Reference No.: A22-66824-000	

**Part No: 1000699298**



Length: 30 1/2" (774.7mm)	Type: Parallel Flow
Thickness: 1" (25.4mm)	Inlet: No. 8 (3/4"-16) Male O-Ring
Height: 21 3/8" (542mm)	Outlet: No. 6 (5/8"-18) Male O-Ring
Mack Cross Reference No.: 210RD428	

**Part No: 1000699299**



Length: 26 7/16" (672mm)	Type: Tube & Fin
Thickness: 1" (25.4mm)	Inlet: No. 8 (3/4"-16) Male O-Ring
Height: 22 15/16" (582.2mm)	Outlet: No. 6 (5/8"-18) Male O-Ring
International Cross Reference No.: 2515866C1	

**Part No: 1000699300**



Length: 30 5/16" (770mm)	Type: Parallel Flow
Thickness: 1" (25.4mm)	Inlet: No. 8 (3/4"-16) Male O-Ring
Height: 18 1/2" (482mm)	Outlet: No. 6 (5/8"-18) Male O-Ring
Mack Cross Reference No.: 210RD511M	

**Part No: 1000699302**



Length: 39 1/2" (1003.3mm)	Type: Serpentine
Thickness: 1" (25.4mm)	Inlet: No. 8 (3/4"-16) Male O-Ring
Height: 6 1/2" (165.1mm)	Outlet: No. 6 (5/8"-18) Male O-Ring
Mack Cross Reference No.: 210RD411M	Volvo Cross Reference No.: 176158

**Part No: 1000699304**



Length: 26 3/4" (679.5mm)	Type: Parallel Flow
Thickness: 7/8" (22.2mm)	Inlet: No. 8 (3/4"-16) Male O-Ring
Height: 20 3/16" (512mm)	Outlet: No. 6 (5/8"-18) Male O-Ring
Freightliner OEM Cross Reference No.: 680-830-03-70	Volvo Cross Reference No.: BSM611024

CONDENSERS



**2**

**Condenser Coils**

**Part No: 1000699305**



Length: 34 1/4" (870mm)	Type: Parallel Flow
Thickness: 7/8" (22.2mm)	Inlet: No. 8 (3/4"-16) Male O-Ring
Height: 20 1/8" (512mm)	Outlet: No. 6 (5/8"-18) Male O-Ring
Freightliner OEM Cross Reference No.: 22-42084-002	Volvo Cross Reference No.: BSM611023

**Part No: 1000699306**



Length: 30 5/16" (770mm)	Type: Parallel Flow
Thickness: 7/8" (22.2mm)	Inlet: No. 8 (3/4"-16) Male O-Ring
Height: 20 1/8" (512mm)	Outlet: No. 6 (5/8"-18) Male O-Ring
Freightliner OEM Cross Reference No.: 22-43941-000	

**Part No: 1000699309**



Length: 27 9/16" (700mm)	Type: Tube & Fin
Thickness: 7/8" (22.2mm)	Inlet: No. 8 (3/4"-16) Male O-Ring
Height: 23 11/16" (602mm)	Outlet: No. 6 (5/8"-18) Male O-Ring
International Cross Reference No.: 2004801C4	

**Part No: 1000699312**



Length: 28 3/4" (730.3mm)	Type: Parallel Flow
Thickness: 1 5/8" (40.6mm)	Inlet: No. 8 (3/4"-16) Male O-Ring
Height: 20 1/8" (512mm)	Outlet: No. 6 (5/8"-18) Male O-Ring
Freightliner OEM Cross Reference No.: 22-39302-001	

**Part No: 1000699317**



Length: 29 1/8" (740mm)	Type: Parallel Flow
Thickness: 7/8" (22.2mm)	Inlet: No. 8 (3/4"-16) Male O-Ring
Height: 9 15/16" (252mm)	Outlet: No. 6 (5/8"-18) Male O-Ring
Freightliner OEM Cross Reference No.: A22-24885-001	

**Part No: 1000699318**



Length: 28 3/8" (721.1mm)	Type: Parallel Flow
Thickness: 1" (25.4mm)	Inlet: No. 8 (3/4"-16) Male O-Ring
Height: 13 7/8" (352.4mm)	Outlet: No. 6 (5/8"-18) Male O-Ring
Volvo Cross Reference No.: 8022509	

**Part No: 1000699320**



Length: 31 11/16" (804.9mm)	Type: Parallel Flow
Thickness: 15/16" (23.8mm)	Inlet: Block Fitting
Height: 24 7/8" (632.2mm)	Outlet: Block Fitting
Peterbilt Cross Reference No.: 1E4582	

**Part No: 1001188179**



Length: 37 15/16" (937mm)	Type: Parallel Flow
Thickness: 7/8" (22.2mm)	Inlet: Pad Mount
Height: 19 3/8" (492mm)	Outlet: Pad Mount
Freightliner OEM Cross Reference No.: A22-72252-000	

**Part No: 1001275785**



Length: 39 1/4" (996mm)	Type: Parallel Flow
Thickness: 1" (25.4mm)	Inlet: No. 8 (3/4"-16) Male O-Ring
Height: 5 11/16" (143.6mm)	Outlet: No. 6 (5/8"-18) Male O-Ring
Volvo Cross Reference No.: 21814392	

CONDENSERS



## Condenser Coils

2

**Part No: 1001345260**



Length: 34 7/16" (875mm)	Type: Parallel Flow
Thickness: 5/8" (16mm)	Inlet: Pad Fitting
Height: 22 3/8" (567mm)	Outlet: Pad Fitting
Freightliner OEM Cross Reference No.: A22-72250-000, A22-72460-000	Volvo Cross Reference No.: RDHRD473060P
Mack Cross Reference No.: 4379-RD473060P	

**Part No: 1001345354**



Length: 28 3/4" (730.3mm)	Type: Parallel Flow
Thickness: 5/8" (16mm)	Inlet: Pad Fitting
Height: 20 7/16" (520mm)	Outlet: Pad Fitting
Freightliner OEM Cross Reference No.: A22-62390-000	

**Part No: 1001345364**



Length: 33 1/2" (850.9mm)	Type: Parallel Flow
Thickness: 5/8" (15.875mm)	Inlet: Pad Fitting
Height: 20 1/16" (510mm)	Outlet: Pad Fitting
Kenworth Cross Reference No.: Z9206001	

**Part No: 1001493206**



Length: 32 1/2" (825mm)	Type: Parallel Flow
Thickness: 5/8" (16mm)	Inlet: Pad Fitting
Height: 18 5/16" (466mm)	Outlet: Pad Fitting
International Cross Reference No.: 2591836C91	

**Part No: 1002104479**



Length: 16 7/8" (428.3mm)	Inlet: Eutectic Tube
Thickness: 13/16" (20mm)	Outlet: Eutectic Tube
Height: 12 13/32" (315mm)	Volvo Parking Cooler

**Part No: B401036**



Length: 29 13/16" (757.2mm)	Type: Serpentine
Thickness: 7/8" (22.2mm)	Inlet: No. 8 (3/4"-16) Male O-Ring
Height: 14 7/8" (377.8mm)	Outlet: No. 6 (5/8"-18) Male O-Ring
Western Star Cross Reference No.: 61203-3209	Volvo Cross Reference No.: BSM611015

**Part No: B401080**



Length: 23 3/4" (603.1mm)	Type: Tube & Fin
Thickness: 2 1/2" (63.5mm)	Inlet: No. 8 (3/4"-16) Male O-Ring
Height: 9" (228.6mm)	Outlet: No. 6 (5/8"-18) Male O-Ring

**Part No: B401102**



Length: 23 15/16" (607.9mm)	Type: Parallel Flow
Thickness: 1 7/8" (47.6mm)	Inlet: No. 8 (3/4"-16) Male O-Ring
Height: 8" (203.2mm)	Outlet: No. 6 (5/8"-18) Male O-Ring
Mack Cross Reference No.: 7787-B401102	Volvo Cross Reference No.: BSMB401102


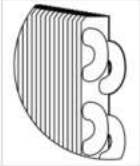


CONDENSERS



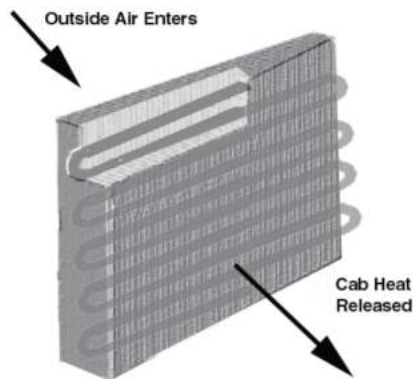
2

## Service Tips

### Typical Header Types

Type 1	Type 2	Type 3	Type 4
			
<b>SERPENTINE</b>	<b>TUBE AND FIN</b>	<b>GRILLDENSER</b>	<b>PARALLEL FLOW</b>
<p>Continuous extruded aluminum tube, 3/4 to 2 inches thick. The fin is either Skyve type or vacuum brazed ribbon type spaced approximately 14 fins per inch. High heat rejection, compact size exact OEM replacements.</p>	<p>Constructed with .008 thick aluminum corrugated fin 3/4 to 2 1/2 inches thick. Fin spacing at 10 to 12 fins per inch providing maximum heat rejection. Tubes are either copper or aluminum.</p>	<p>Constructed with .030 to .050 thick aluminum, fins are 3/4 inch thick. Fins are spaced at 2 to 4 fins per inch providing minimal air flow restriction. Tubes are either .035 inches wall aluminum or .022 inches wall copper.</p>	<p>Constructed with tube assemblies connecting to a common tank at both ends of the condenser. Commonly found in smaller, newer R-134a vehicles with limited air flow. Offers superior heat rejection.</p>

## Service Tips



**Condenser**

*The condenser is designed to exchange heat. Heat is released outside the cab by the condenser.*

### Condenser Coil Service Tips

<b>Condenser Location</b>	The condenser is located on the high-pressure side of the system, in front of the radiator.
<b>Coil Fins</b>	Make sure the coil fins are clean and free of debris and obstructions.
<b>Inspect for Damage</b>	Inspect for abrasions or damaged tubing. Straighten bent fins with fin comb.
<b>Operating Temperature</b>	With the system running the condenser will be hot to the touch.
<b>Ensure Operability</b>	Ensure the condenser fan is operable.
<b>Temperature Change — Inlet to Outlet</b>	The condenser will achieve a 15° - 30°C temperature decreases from inlet to outlet.
<b>Tip</b>	Air flow should hold shop rag onto the condenser coil.

CONDENSERS





Air Conditioning & Heating  
Replacement Parts

# Evaporators

<b>Evaporator Coils</b>	<b>238</b>
Evaporator Coil Specifications	238
<b>Service Tips</b>	<b>242</b>

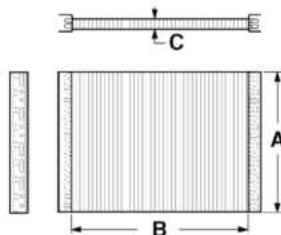


Call: 800.499.6849 for Technical Assistance

Availability of the products shown in this reference guide is subject to change without notice by Bergstrom, Inc.  
For the most current product information please visit the Bergstrom Distributor website at <https://shop.bergstrominc.com/>.

2

# Evaporator Coils



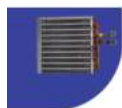
**Legend:**  
 A = Height  
 B = Length  
 C = Width

## Evaporator Coil Specifications

Height (A) †	Length (B) ‡	Width (C) *	Inlet	Outlet	Part No
5" (127mm)	18 5/8" (473mm)	1 3/4" (44.4mm)	#8 Male O-Ring	#8 Male O-Ring	<b>B400074</b>
6" (152.4mm)	12 1/8" (308mm)	2 1/2" (63.5mm)	#8 Male O-Ring	#8 Male O-Ring	<b>B400174</b>
6 3/4" (171.5mm)	12 1/16" (306mm)	2 9/16" (65mm)	#8 Bead	#12 Bead into TXV	<b>1000477479</b>
7" (177.8mm)	10 3/8" (263.5mm)	2 5/8" (66.6mm)	Volvo Pad	Volvo Pad with TXV	<b>1000475399</b>
8" (203.2mm)	12 3/16" (309.6mm)	3 1/8" (79.4mm)	#8 Male O-Ring	#8 Male O-Ring	<b>151328M</b>
8" (203.2mm)	7 7/8" (200.2mm)	2 1/2" (63.5mm)	#8 Male O-Ring	#8 Male O-Ring	<b>151100</b>
8" (203.2mm)	7 7/8" (200.2mm)	3 1/8" (79.4mm)	#8 Male O-Ring	#8 Male O-Ring	<b>151321M</b>
8" (203.2mm)	12 3/16" (309.6mm)	3 1/8" (79.4mm)	Bead Fitting	Bead Fitting	<b>1000533723M</b>
8" (203.2mm)	18 9/16" (471.4mm)	2 1/2" (63.5mm)	#8 Male O-Ring	#8 Male O-Ring	<b>108291</b>
8" (203.2mm)	8" (203.2mm)	3 1/8" (79.4mm)	#8 Male O-Ring	#8 Male O-Ring	<b>151356</b>
8" (203.2mm)	14 9/16" (369.1mm)	3 1/8" (79.4mm)	#8 Male O-Ring	#8 Male O-Ring	<b>151290</b>
8" (203.2mm)	12 11/64" (309.2mm)	3 3/8" (85.7mm)	-	-	<b>150108</b>
8" (203.2mm)	25 5/16" (643mm)	3 15/32" (87.9mm)	-	-	<b>100140026</b>
8" (203.2mm)	18 9/16" (471.4mm)	2 1/2" (63.5mm)	1/2" (12.7mm)	1/2" (12.7mm)	<b>1000462200M</b>
8" (203.2mm)	17 1/2" (445mm)	3 1/8" (79.4mm)	#8 Male O-Ring	#8 Male O-Ring	<b>B400165</b>
8 1/16" (205mm)	11 1/8" (282.5mm)	2 3/8" (60.3mm)	Bead Fitting	Bead Fitting	<b>1000431925</b>
8 5/16" (211mm)	8" (203.2mm)	2 1/4" (58mm)	#8 Bead	#10 Bead	<b>1001489683</b>
8 7/16" (214mm)	11 15/16" (304.1mm)	1 5/8" (42mm)	Bead Fitting	Bead Fitting	<b>1001534189</b>
8 1/2" (216mm)	11 7/8" (301.5mm)	1 1/2" (38.1mm)	#8 Male O-Ring	#10 Male O-Ring	<b>1001439657</b>
9" (228.6mm)	12 9/16" (319mm)	4 3/8" (111.3mm)	#8 Male O-Ring	#8 Male O-Ring	<b>B400189</b>
10" (254mm)	13" (330.2mm)	2 9/16" (65mm)	#8 Male O-Ring	#10 Male O-Ring	<b>151346</b>
10" (254mm)	8 1/2" (215.9mm)	2 9/16" (65.2mm)	Bead Fitting	Bead Fitting	<b>151339</b>
10" (254mm)	10" (254mm)	2 5/8" (66.6mm)	#8 Male O-Ring	#8 Male O-Ring	<b>151396</b>
10" (254mm)	10" (254mm)	2 19/32" (66mm)	#8 Male O-Ring	#8 Male O-Ring	<b>869224</b>
10" (254mm)	10 11/16" (271.5mm)	3 1/8" (79.4mm)	#8 Male O-Ring	#8 Male O-Ring	<b>151326</b>
10" (254mm)	7 11/16" (195.4mm)	2 1/2" (63.5mm)	#10 Male O-Ring	#8 Male O-Ring	<b>151336</b>
10" (254mm)	10 3/4" (273mm)	3 1/8" (79.4mm)	Bead Fitting	Bead Fitting	<b>151338</b>
10 3/8" (263.5mm)	8 3/8" (212.7mm)	2 9/16" (65mm)	Freightliner Pad	Freightliner Pad	<b>1000039669</b>
10 1/2" (266.7mm)	16 1/8" (410mm)	4 5/16" (109.5mm)	#10 Male O-Ring	#10 Male O-Ring	<b>151459</b>
11" (279.4mm)	10 7/16" (265.1mm)	2 5/8" (66.7mm)	#8 Male O-Ring	#10 Male O-Ring	<b>1000213241</b>
11" (279.4mm)	10 7/16" (265.1mm)	11" (279.4mm)	#8 Male O-Ring	#10 Male O-Ring	<b>1000213242</b>
12" (304.8mm)	6 1/2" (165.1mm)	3 1/8" (79.4mm)	#8 Male O-Ring	#10 Male O-Ring	<b>151457</b>

† Height of coil is measured along the fin.  
 ‡ Length of coil is the fin segment between header plates.  
 \* Width is coil dimension; 4 rows of tubes is 2 1/2 inches.

EVAPORATORS



# Evaporator Coils

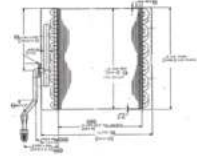
2

**Part No: 108291**



Length: 18 9/16" (471.4mm)
Width: 2 1/2" (63.5mm)
Height: 8" (203.2mm)
Inlet: #8 Male O-Ring
Outlet: #8 Male O-Ring

**Part No: 150108**



Length: 12 11/64" (309.2mm)
Width: 3 3/8" (85.7mm)
Height: 8" (203.2mm)

**Part No: 151100**



Length: 7 7/8" (200.2mm)
Width: 2 1/2" (63.5mm)
Height: 8" (203.2mm)
Inlet: #8 Male O-Ring
Outlet: #8 Male O-Ring

**Part No: 151290**



Length: 14 9/16" (369.1mm)
Width: 3 1/8" (79.4mm)
Height: 8" (203.2mm)
Inlet: #8 Male O-Ring
Outlet: #8 Male O-Ring

**Part No: 151326**



Length: 10 11/16" (271.5mm)
Width: 3 1/8" (79.4mm)
Height: 10" (254mm)
Inlet: #8 Male O-Ring
Outlet: #8 Male O-Ring

**Part No: 151328M**



Length: 12 3/16" (309.6mm)
Width: 3 1/8" (79.4mm)
Height: 8" (203.2mm)
Inlet: #8 Male O-Ring
Outlet: #8 Male O-Ring

**Part No: 151321M**



Length: 7 7/8" (200.2mm)
Width: 3 1/8" (79.4mm)
Height: 8" (203.2mm)
Inlet: #8 Male O-Ring
Outlet: #8 Male O-Ring

**Part No: 151336**



Length: 7 11/16" (195.4mm)
Width: 2 1/2" (63.5mm)
Height: 10" (254mm)
Inlet: #10 Male O-Ring
Outlet: #8 Male O-Ring

**Part No: 151338**



Length: 10 3/4" (273mm)
Width: 3 1/8" (79.4mm)
Height: 10" (254mm)
Inlet: Bead Fitting
Outlet: Bead Fitting

**Part No: 151339**



Length: 8 1/2" (215.9mm)
Width: 2 9/16" (65.2mm)
Height: 10" (254mm)
Inlet: Bead Fitting
Outlet: Bead Fitting

**Part No: 151346**



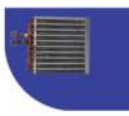
Length: 13" (330.2mm)
Width: 2 9/16" (65mm)
Height: 10" (254mm)
Inlet: #8 Male O-Ring
Outlet: #10 Male O-Ring

**Part No: 151356**



Length: 8" (203.2mm)
Width: 3 1/8" (79.4mm)
Height: 8" (203.2mm)
Inlet: #8 Male O-Ring
Outlet: #8 Male O-Ring

EVAPORATORS

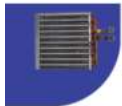


800.499.6849 • shop.bergstrominc.com

2

Evaporator Coils

EVAPORATORS



**Part No: 151396**



Length: 10" (254mm)
Width: 2 5/8" (66.6mm)
Height: 10" (254mm)
Inlet: #8 Male O-Ring
Outlet: #10 Male O-Ring

**Part No: 151457**



Length: 6 1/2" (165.1mm)
Width: 3 1/8" (79.4mm)
Height: 12" (304.8mm)
Inlet: #8 Male O-Ring
Outlet: #10 Male O-Ring

**Part No: 151459**



Length: 16 1/8" (410mm)
Width: 4 5/16" (109.5mm)
Height: 10 1/2" (266.7mm)
Inlet: #10 Male O-Ring
Outlet: #10 Male O-Ring

**Part No: 869224**



Length: 10" (254mm)
Width: 2 19/32" (66mm)
Height: 10" (254mm)
Inlet: #8 Male O-Ring
Outlet: #8 Male O-Ring

**Part No: 1000039669**



Length: 8 3/8" (212.7mm)
Width: 2 9/16" (65mm)
Height: 10 3/8" (263.5mm)
Inlet: Freightliner Pad
Outlet: Freightliner Pad

**Part No: 1000213241**



Length: 10 7/16" (265.1mm)
Width: 2 5/8" (66.6mm)
Height: 11" (279.4mm)
Inlet: #8 Male O-Ring
Outlet: #10 Male O-Ring

**Part No: 1000213242**



Length: 10 7/16" (265.1mm)
Width: 2 5/8" (66.6mm)
Height: 11" (279.4mm)
Inlet: #8 Male O-Ring
Outlet: #10 Male O-Ring

**Part No: 1000431925**



Length: 11 1/8" (282.6mm)
Width: 2 3/8" (60.3mm)
Height: 8 1/16" (205mm)
Inlet: Bead Fitting
Outlet: Bead Fitting

**Part No: 1000462200M**



Length: 18 9/16" (471.4mm)
Width: 2 1/2" (63.5mm)
Height: 8" (203.2mm)
Inlet: 1/2" (12.7mm)
Outlet: 1/2" (12.7mm)

**Part No: 1000475399**



Length: 10 3/8" (263.5mm)
Width: 2 5/8" (66.6mm)
Height: 7" (177.8mm)
Inlet: Volvo Pad
Outlet: Volvo Pad with TXV

**Part No: 1000477479**



Length: 12 1/16" (306.4mm)
Width: 2 9/16" (65mm)
Height: 6 3/4" (171.5mm)
Inlet: #8 Bead
Outlet: #12 Bead into TXV

**Part No: 1000533723M**




Length: 12 3/16" (309.6mm)
Width: 3 1/8" (79.4mm)
Height: 8" (203.2mm)
Inlet: Bead Fitting
Outlet: Bead Fitting



## Evaporator Coils

2

**Part No: 1001400264**



Length: 25 5/16" (643mm)
Width: 3 15/32" (87.9mm)
Height: 8" (203.2mm)

**Part No: 1001439657**



Length: 11 7/8" (301.6mm)
Width: 1 1/2" (38.1mm)
Height: 8 1/2" (215.9mm)
Inlet: #8 Male O-Ring
Outlet: #10 Male O-Ring

**Part No: 1001489683**



Length: 8" (203.2mm)
Width: 2 1/4" (58mm)
Height: 8 5/16" (211mm)
Inlet: #8 Bead
Outlet: #10 Bead

**Part No: 1001534189**



Length: 11 15/16" (303.2mm)
Width: 1 5/8" (42mm)
Height: 8 7/16" (214mm)
Inlet: Bead Fitting
Outlet: Bead Fitting

**Part No: B400074**



Length: 18 5/8" (473mm)
Width: 1 3/4" (44.4mm)
Height: 5" (127mm)
Inlet: #8 Male O-Ring
Outlet: #8 Male O-Ring

**Part No: B400165**



Length: 17 1/2" (445mm)
Width: 3 1/8" (79.4mm)
Height: 8" (203.2mm)
Inlet: #8 Male O-Ring
Outlet: #8 Male O-Ring

**Part No: B400174**



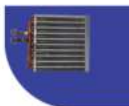
Length: 12 1/8" (308mm)
Width: 2 1/2" (63.5mm)
Height: 6" (152.4mm)
Inlet: #8 Male O-Ring
Outlet: #8 Male O-Ring

**Part No: B400189**



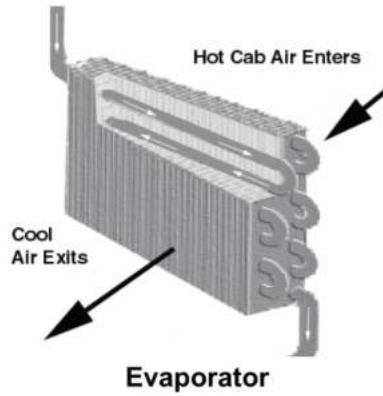
Length: 12 9/16" (319mm)
Width: 4 3/8" (111.3mm)
Height: 9" (228.6mm)
Inlet: #8 Male O-Ring
Outlet: #8 Male O-Ring

EVAPORATORS



**2**

**Service Tips**  
**Evaporator Service Tips**



*The evaporator is designed to exchange heat. Heat is removed from the cab by the evaporator.*

Evaporator Coil Service Tips	
<b>Evaporator Location</b>	The evaporator is located on the low-pressure side.
<b>Coil Fins</b>	Make sure the coil fins are clean and free of debris and obstructions.
<b>Inspect for Damage</b>	Inspect for abrasions or damaged tubing. Straighten bent fins with fin comb.
<b>Operating Temperature</b>	With the system running the evaporator will be cold to the touch.
<b>Ensure Operability</b>	Make sure the blower motor is operable.
<b>Tip</b>	A frosty evaporator may indicate a faulty thermostat. Check recirculation filter for cleanliness, a clogged recirculation filter will impede HVAC performance.

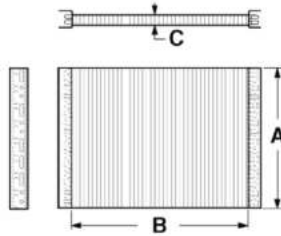
EVAPORATORS





2

Heater Cores



**Legend:**  
 A = Height  
 B = Length  
 C = Width

Heater Core Specifications

Height (A)†	Length (B) ‡	Width (C)*	Inlet	Outlet	Part No
4" (101.6mm)	28 1/4" (717.6mm)	7/8" (22.2mm)	5/8" O.D.	5/8" O.D.	B280354 (rolled)
4 1/8" (105mm)	8 1/16" (205mm)	2" (50.8mm)	3/8" Female NPT	5/8" O.D.	1000369918
4 1/8" (105mm)	8 1/16" (205mm)	2" (50.8mm)	5/8" O.D.	5/8" O.D.	1000635554
5" (127mm)	18 7/8" (479mm)	1 1/4" (31.8mm)	5/8" O.D.	5/8" O.D.	B280360
6" (152.4mm)	6 3/8" (161.9mm)	1 5/8" (41.3mm)	5/8" O.D.	5/8" O.D.	1000039688
6" (152.4mm)	10 7/16" (265mm)	1 5/8" (41.3mm)	PAD	PAD	1000477648
6" (152.4mm)	10" (254mm)	2 1/2" (63.5mm)	5/8" O.D.	5/8" O.D.	869223
6" (152.4mm)	12 1/2" (317.5mm)	2 9/16" (65mm)	5/8" O.D.	5/8" O.D.	108336
6" (152.4mm)	16 1/4" (412.8mm)	2 1/2" (63.5mm)	5/8" O.D.	5/8" O.D.	1000619405
7" (177.8mm)	11 13/16" (300mm)	1 5/8" (41.3mm)	5/8" O.D.	3/4" O.D.	1000168713
7 1/8" (181mm)	14 5/8" (371.5mm)	1 1/4" (31.8mm)	Female Bead Conn	Female Bead Conn	1001275789
7 3/8" (187.3mm)	12 3/8" (314.3mm)	1 1/2" (38.1mm)	3/4" O.D.	3/4" O.D.	108409
7 7/16" (189mm)	27 1/16" (688mm)	2" (50.8mm)	5/8" O.D.	5/8" O.D.	1000136418M
7 3/4" (196.9mm)	9 1/2" (241.3mm)	2 3/16" (55.5mm)	5/8" O.D.	3/4" O.D.	108245
8" (203.2mm)	8 15/16" (226.8mm)	1 7/8" (47.6mm)	3/4" O.D.	5/8" O.D.	108269
8" (203.2mm)	12 3/16" (309.6mm)	2 1/2" (63.5mm)	5/8" O.D.	5/8" O.D.	110640M
8" (203.2mm)	7 7/8" (200.2mm)	2 1/2" (63.5mm)	5/8" O.D.	5/8" O.D.	110470
8" (203.2mm)	7 7/8" (200.2mm)	1 7/8" (47.6mm)	5/8" O.D.	5/8" O.D.	108263M
8" (203.2mm)	18 11/16" (475.5mm)	1 7/8" (47.6mm)	5/8" O.D.	5/8" O.D.	108289M
8" (203.2mm)	7 7/8" (200.2mm)	1 3/4" (44.4mm)	5/8" O.D.	5/8" O.D.	1000220144
8" (203.2mm)	10 3/4" (273mm)	2 11/16" (68.5mm)	5/8" O.D.	5/8" O.D.	1000206325M
8" (203.2mm)	5" (128mm)	2 9/16" (65mm)	5/8" O.D.	5/8" O.D.	108250
8" (203.2mm)	27 1/2" (698.5mm)	3 7/16" (87.3mm)	5/8" O.D.	5/8" O.D.	B280406
8" (203.2mm)	12 3/16" (309.6mm)	1 3/4" (44.4mm)	5/8" O.D.	5/8" O.D.	108442M
8 3/4" (222.3mm)	9 1/2" (241.3mm)	1 1/2" (38.1mm)	5/8" O.D.	5/8" O.D.	1000039686
9" (228.6mm)	11 1/16" (281mm)	2" (50.8mm)	3/4" O.D.	1/2" 14 NPT	108240
9" (228.6mm)	9 15/16" (252.6mm)	2 1/2" (63.5mm)	5/8" O.D.	5/8" O.D.	1000207046M
10" (254mm)	9 1/8" (231mm)	2 1/2" (63.5mm)	5/8" O.D.	5/8" O.D.	108612
10" (254mm)	9 1/8" (231mm)	2 1/2" (63.5mm)	5/8" O.D.	3/4" O.D.	1000299598
10" (254mm)	7" (177.8mm)	2 1/2" (63.5mm)	5/8" O.D.	5/8" O.D.	108294
10" (254mm)	24 1/16" (611mm)	3 1/2" (88.9mm)	5/8" O.D.	5/8" O.D.	108259
10" (254mm)	12 5/16" (313mm)	2 5/8" (66mm)	5/8" O.D.	5/8" O.D.	108274
10" (254mm)	22 5/8" (574mm)	1 3/4" (44.4mm)	5/8" O.D.	5/8" O.D.	108275
10" (254mm)	23 5/16" (592.1mm)	3 1/2" (88.9mm)	5/8" O.D.	5/8" O.D.	108345
10" (254mm)	16 15/16" (430mm)	3 15/32" (88mm)	5/8" O.D.	5/8" O.D.	108347
10" (254mm)	7 7/16" (188.9mm)	3 1/8" (79.4mm)	5/8" O.D.	5/8" O.D.	108293
10" (254mm)	13 13/16" (351mm)	2 9/16" (65mm)	5/8" O.D.	5/8" O.D.	108349M

HEATER CORES



Heater Core Specifications

Height (A)†	Length (B)‡	Width (C)*	Inlet	Outlet	Part No
10" (254mm)	23 5/16" (592.1mm)	1 3/4" (44.4mm)	5/8" O.D.	5/8" O.D.	108433
10" (254mm)	22 5/8" (574mm)	1 3/4" (44.4mm)	1" O.D.	1" O.D.	108482M
10" (254mm)	12 5/16" (313mm)	2 9/16" (65mm)	1" O.D.	1" O.D.	108483M
10" (254mm)	20 1/2" (520.7mm)	3 7/16" (87.3mm)	1" O.D.	1" O.D.	B280383
10" (254mm)	19 1/2" (495.3mm)	2 1/2" (63.5mm)	1" O.D.	1" O.D.	108331
10" (254mm)	23 5/16" (592.1mm)	3 1/2" (88.9mm)	5/8" O.D.	1" O.D.	1000216951
10" (254mm)	23 5/16" (592.1mm)	3 1/2" (88.9mm)	5/8" O.D.	5/8" O.D.	1000328470M
12" (304.8mm)	13 1/16" (332mm)	2 9/16" (65mm)	1" O.D.	1" O.D.	108428M
14" (355.6mm)	16 9/16" (420.5mm)	3 1/2" (88.9mm)	1" O.D.	1" O.D.	1001479323M

\* Width is coil dimension; e.g. 4 rows of tubes is 2 1/2 inches.  
 † Height of coil is measured along the fin.  
 ‡ Length of coil is the fin segment between header plates.

**Part No: 108240**



Length: 11 1/16" (281mm)  
 Width: 2" (50.8mm)  
 Height: 9" (228.6mm)  
 Inlet: 3/4" O.D.  
 Outlet: 1/2" 14 NPT

**Part No: 108245**



Length: 9 1/2" (241.3mm)  
 Width: 2 3/16" (55.5mm)  
 Height: 7 3/4" (196.9mm)  
 Inlet: 5/8" O.D.  
 Outlet: 3/4" O.D.

**Part No: 108250**



Length: 5" (128mm)  
 Width: 2 9/16" (65mm)  
 Height: 8" (203.2mm)  
 Inlet: 5/8" O.D.  
 Outlet: 5/8" O.D.

**Part No: 108259**



Length: 24 1/16" (611mm)  
 Width: 3 1/2" (88.9mm)  
 Height: 10" (254mm)  
 Inlet: 5/8" O.D.  
 Outlet: 5/8" O.D.

**Part No: 108263M**



Length: 7 7/8" (200.2mm)  
 Width: 1 7/8" (47.6mm)  
 Height: 8" (203.2mm)  
 Inlet: 5/8" O.D.  
 Outlet: 5/8" O.D.

**Part No: 108269**



Length: 8 15/16" (226.8mm)  
 Width: 1 7/8" (47.6mm)  
 Height: 8" (203.2mm)  
 Inlet: 3/4" O.D.  
 Outlet: 5/8" O.D.












HEATER CORES



800.499.6849 • shop.bergstrominc.com

2

Heater Cores

<p><b>Part No: 108274</b></p>  <p>Length: 12 5/16" (313mm) Width: 2 5/8" (66.6mm) Height: 10" (254mm) Inlet: 5/8" O.D. Outlet: 5/8" O.D.</p>	<p><b>Part No: 108275</b></p>  <p>Length: 22 5/8" (574mm) Width: 1 3/4" (44.4mm) Height: 10" (254mm) Inlet: 5/8" O.D. Outlet: 5/8" O.D.</p>	<p><b>Part No: 108289M</b></p>  <p>Length: 18 11/16" (475.5mm) Width: 1 7/8" (47.6mm) Height: 8" (203.2mm) Inlet: 5/8" O.D. Outlet: 5/8" O.D.</p>
<p><b>Part No: 108293</b></p>  <p>Length: 7 7/16" (188.9mm) Width: 3 1/8" (79.4mm) Height: 10" (254mm) Inlet: 5/8" O.D. Outlet: 5/8" O.D.</p>	<p><b>Part No: 108294</b></p>  <p>Length: 7" (177.8mm) Width: 2 1/2" (63.5mm) Height: 10" (254mm) Inlet: 5/8" O.D. Outlet: 5/8" O.D.</p>	<p><b>Part No: 108331</b></p>  <p>Length: 19 1/2" (495.3mm) Width: 2 1/2" (63.5mm) Height: 10" (254mm) Inlet: 1" O.D. Outlet: 1" O.D.</p>
<p><b>Part No: 108336</b></p>  <p>Length: 12 1/2" (317.5mm) Width: 2 9/16" (65mm) Height: 6" (152.4mm) Inlet: 5/8" O.D. Outlet: 5/8" O.D.</p>	<p><b>Part No: 108345</b></p>  <p>Length: 23 5/16" (592.1mm) Width: 3 1/2" (88.9mm) Height: 10" (254mm) Inlet: 5/8" O.D. Outlet: 5/8" O.D.</p>	<p><b>Part No: 108349M</b></p>  <p>Length: 16 15/16" (430mm) Width: 3 15/32" (88mm) Height: 10" (254mm) Inlet: 5/8" O.D. Outlet: 5/8" O.D.</p>
<p><b>Part No: 108349M</b></p>  <p>Length: 13 13/16" (351mm) Width: 2 9/16" (65mm) Height: 10" (254mm) Inlet: 5/8" O.D. Outlet: 5/8" O.D.</p>	<p><b>Part No: 108409</b></p>  <p>Length: 12 3/8" (314.3mm) Width: 1 1/2" (38.1mm) Height: 7 3/8" (187.3mm) Inlet: 3/4" O.D. Outlet: 3/4" O.D.</p>	<p><b>Part No: 108428M</b></p>  <p>Length: 13 1/16" (332mm) Width: 2 9/16" (65mm) Height: 12" (304.8mm) Inlet: 1" O.D. Outlet: 1" O.D.</p>

HEATER CORES



## Heater Cores

2

<p><b>Part No: 108433</b></p>  <p>Length: 23 5/16" (592.1mm) Width: 1 3/4" (44.4mm) Height: 10" (254mm) Inlet: 5/8" O.D. Outlet: 5/8" O.D.</p>	<p><b>Part No: 108442M</b></p>  <p>Length: 12 3/16" (309.6mm) Width: 1 3/4" (44.4mm) Height: 8" (203.2mm) Inlet: 5/8" O.D. Outlet: 5/8" O.D.</p>	<p><b>Part No: 108482M</b></p>  <p>Length: 22 5/8" (574mm) Width: 1 3/4" (44.4mm) Height: 10" (254mm) Inlet: 1" O.D. Outlet: 1" O.D.</p>
<p><b>Part No: 108483M</b></p>  <p>Length: 12 15/16" (313mm) Width: 2 9/16" (65.1mm) Height: 10" (254mm) Inlet: 1" O.D. Outlet: 1" O.D.</p>	<p><b>Part No: 108612</b></p>  <p>Length: 9 1/8" (231mm) Width: 2 1/2" (63.5mm) Height: 10" (254mm) Inlet: 5/8" O.D. Outlet: 5/8" O.D.</p>	<p><b>Part No: 110470</b></p>  <p>Length: 7 7/8" (200.2mm) Width: 2 1/2" (63.5mm) Height: 8" (203.2mm) Inlet: 5/8" O.D. Outlet: 5/8" O.D.</p>
<p><b>Part No: 110640M</b></p>  <p>Length: 12 3/16" (309.6mm) Width: 2 1/2" (63.5mm) Height: 8" (203.2mm) Inlet: 5/8" O.D. Outlet: 5/8" O.D.</p>	<p><b>Part No: 869223</b></p>  <p>Length: 10" (254mm) Width: 2 1/2" (63.5mm) Height: 6" (152.4mm) Inlet: 5/8" O.D. Outlet: 5/8" O.D.</p>	<p><b>Part No: 1000039686</b></p>  <p>Length: 9 1/2" (241.3mm) Width: 1 1/2" (38.1mm) Height: 8 3/4" (222.3mm) Inlet: 5/8" O.D. Outlet: 5/8" O.D.</p>
<p><b>Part No: 1000039688</b></p>  <p>Length: 6 3/8" (161.9mm) Width: 1 5/8" (41.3mm) Height: 6" (152.4mm) Inlet: 5/8" O.D. Outlet: 5/8" O.D.</p>	<p><b>Part No: 1000136418M</b></p>  <p>Length: 27 1/16" (688mm) Width: 2" (50.8mm) Height: 7 7/16" (189mm) Inlet: 5/8" O.D. Outlet: 5/8" O.D.</p>	<p><b>Part No: 1000168713</b></p>  <p>Length: 11 13/16" (300mm) Width: 1 5/8" (41.3mm) Height: 7" (177.8mm) Inlet: 5/8" O.D. Outlet: 3/4" O.D.</p>




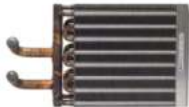




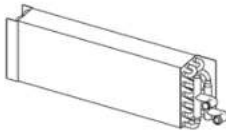


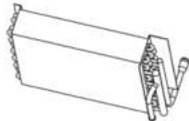
HEATER CORES



800.499.6849 • [shop.bergstrominc.com](http://shop.bergstrominc.com)

2

Heater Cores

<p><b>Part No: 1000206325M</b></p>  <p>Length: 10 3/4" (273mm) Width: 2 11/16" (68.5mm) Height: 8" (203.2mm) Inlet: 5/8" O.D. Outlet: 5/8" O.D.</p>	<p><b>Part No: 1000207046M</b></p>  <p>Length: 9 15/16" (252.6mm) Width: 2 1/2" (63.5mm) Height: 9" (228.6mm) Inlet: 5/8" O.D. Outlet: 5/8" O.D.</p>	<p><b>Part No: 1000216951</b></p>  <p>Length: 23 5/16" (592.1mm) Width: 3 1/2" (88.9mm) Height: 10" (254mm) Inlet: 5/8" O.D. Outlet: 1" O.D.</p>
<p><b>Part No: 1000220144</b></p>  <p>Length: 7 7/8" (200.2mm) Width: 1 3/4" (44.4mm) Height: 8" (203.2mm) Inlet: 5/8" O.D. Outlet: 5/8" O.D.</p>	<p><b>Part No: 1000299598</b></p>  <p>Length: 9 1/8" (231mm) Width: 2 1/2" (63.5mm) Height: 10" (254mm) Inlet: 5/8" O.D. Outlet: 3/4" O.D.</p>	<p><b>Part No: 1000328470M</b></p>  <p>Length: 23 5/16" (592.1mm) Width: 3 1/2" (88.9mm) Height: 10" (254mm) Inlet: 5/8" O.D. Outlet: 5/8" O.D.</p>
<p><b>Part No: 1000369918</b></p>  <p>Length: 8 1/16" (205mm) Width: 2" (50.8mm) Height: 4 1/8" (105mm) Inlet: 5/8" O.D. Outlet: 5/8" O.D.</p>	<p><b>Part No: 1000477648</b></p>  <p>Length: 10 7/16" (265.1mm) Width: 1 5/8" (41.3mm) Height: 6" (152.4mm) Inlet: PAD Outlet: PAD</p>	<p><b>Part No: 1000619405</b></p>  <p>Length: 16 1/4" (412.8mm) Width: 2 1/2" (63.5mm) Height: 6" (152.4mm) Inlet: 5/8" O.D. Outlet: 5/8" O.D.</p>
<p><b>Part No: 1000635554</b></p>  <p>Length: 8 1/16" (205mm) Width: 2" (50.8mm) Height: 4 1/8" (105mm) Inlet: 5/8" O.D. Outlet: 5/8" O.D.</p>	<p><b>Part No: 1001275789</b></p>  <p>Length: 14 5/8" (371.5mm) Width: 1 1/4" (31.8mm) Height: 7 1/8" (181mm) Inlet: Female Bead Conn Outlet: Female Bead Conn</p>	<p><b>Part No: 1001479323M</b></p>  <p>Length: 16 9/16" (420.5mm) Width: 3 1/2" (88.9mm) Height: 14" (355.6mm) Inlet: 1" O.D. Outlet: 1" O.D.</p>

HEATER CORES





## Heater Cores

2

**Part No: B280354**



Length: 28 1/4" (717.6mm)  
 Width: 7/8" (22.2mm)  
 Height: 4" (101.6mm)  
 Inlet: 5/8" O.D.  
 Outlet: 5/8" O.D.

**Part No: B280360**



Length: 18 7/8" (479mm)  
 Width: 1 1/4" (31.8mm)  
 Height: 5" (127mm)  
 Inlet: 5/8" O.D.  
 Outlet: 5/8" O.D.

**Part No: B280383**



Length: 20 1/2" (520.7mm)  
 Width: 3 7/16" (87.3mm)  
 Height: 10" (254mm)  
 Inlet: 1" O.D.  
 Outlet: 1" O.D.

**Part No: B280406**



Length: 27 1/2" (698.5mm)  
 Width: 3 7/16" (87.3mm)  
 Height: 8" (203.2mm)  
 Inlet: 1" O.D.  
 Outlet: 1" O.D.

HEATER CORES

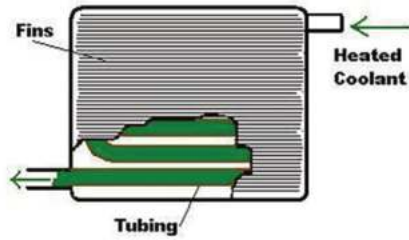


800.499.6849 • [shop.bergstrominc.com](http://shop.bergstrominc.com)

**2**

**Service Tips**

**Heater Core Service Tips**



**Heater Core**

*The heater core is designed to heat the inside of the cab.*

Heater Core Service Tips	
<b>Heater Core Location</b>	The heater core is located inside the cab under the dash.
<b>Core Fins</b>	Make sure the coil fins are clean and free of debris and obstructions.
<b>Inspect for Damage</b>	Inspect for abrasions or damaged tubing. Straighten bent fins with fin comb.
<b>Operating Temperature</b>	With the system running the heater core will be hot to the touch.
<b>Ensure Operability</b>	Make sure the blower motor is operable.
<b>Tip</b>	A stuck open water valve will diminish the A/C performance. Weak hose connection may cause leakage. Check recirculation filter for cleanliness, a clogged recirculation filter will impede HVAC performance.

HEATER CORES





Air Conditioning & Heating  
Replacement Parts

# Receiver Driers



2

RECEIVER DRIERS

<b>Receiver Drier Specifications</b>	<b>252</b>
O-Ring Type Driers	252
Quick Disconnect Type Driers	254
Flare Type Driers	254
In-Line Driers	254
Accumulators	255
<b>Receiver Driers</b>	<b>256</b>
O-Ring Type Receiver Driers	256
Quick Disconnect Type Receiver Driers	264
In-Line Type Receiver Driers	264
Flare Type Receiver Driers	266
Accumulators	266
Spin-On Receiver Driers	266
<b>Brackets &amp; Valve Kits</b>	<b>268</b>
Mounting Brackets	268
Pressure Relief Valve Kits	268
<b>Service Tips</b>	<b>269</b>



Call: 800.499.6849 for Technical Assistance  
 Availability of the products shown in this reference guide is subject to change without notice by Bergstrom, Inc.  
 For the most current product information please visit the Bergstrom Distributor website at <https://shop.bergstrominc.com/>.

## 2

## Receiver Drier Specifications

## O-Ring Type Driers

RECEIVER DRIERS



Diameter	Height	Fuse/Pressure	Inlet	Outlet	Desiccant Level	Port	Glass	Part No
2 1/2" (63.5mm)	8" (203.2mm)	High Pressure Relief Valve	3/8" Male O-Ring	3/8" Male O-Ring	6	-	Top	<b>B402562</b>
2 1/2" (63.5mm)	8" (203.2mm)	Fuse Plug/Low Pressure Switch	3/8" Male O-Ring	3/8" Male O-Ring	6	Top	-	<b>1001478801</b>
2 1/2" (63.5mm)	8" (203.2mm)	Refrigerant Valve with Core	3/8" Male O-Ring	3/8" Male O-Ring	8	-	-	<b>1002089977</b>
2 1/2" (63.5mm)	6 5/16" (160.3mm)	-	M18 Male O-Ring	M18 Male O-Ring	5	-	Top	<b>1001453433</b>
2 1/2" (63.5mm)	8" (203.2mm)	-	3/8" Male O-Ring	3/8" Male O-Ring	4	-	-	<b>1001453455</b>
2 3/4" (69.9mm)	10 1/16" (255.6mm)	Press Relief Valve/Service Port	3/8" Male O-Ring	3/8" Male O-Ring	6	Side	-	<b>1001451908</b>
2 3/4" (69.9mm)	10" (254mm)	High Pressure Relief Valve/Low Pressure Switch	3/8" Male O-Ring	3/8" Male O-Ring	0	Side	Top	<b>B402565</b>
2 3/4" (69.9mm)	10 5/32" (258mm)	Fuse Plug	3/8" Male O-Ring	3/8" Male O-Ring	11	Top	Side	<b>540062</b>
2 3/4" (69.9mm)	10" (254mm)	Fuse Plug	3/8" Male O-Ring	3/8" Male O-Ring	-	Side	Top	<b>540060</b>
3" (76.2mm)	10 1/8" (257.2mm)	(2) M10 Gauge Ports	3/8" Male O-Ring	3/8" Female O-Ring	16	Top	Top	<b>540072C</b>
3" (76.2mm)	10 1/4" (260.4mm)	(2) M10 Switch Ports	Pad Mount	Pad Mount	16	Top	Top	<b>540433C</b>
3" (76.2mm)	8 5/16" (211mm)	Switch Port/Service Port	3/8" Male O-Ring	3/8" Female O-Ring	6	Top	Top	<b>1001450297</b>
3" (76.2mm)	8 7/16" (214.3mm)	Press Relief Valve/Fusible Plug	3/8" Male O-Ring	3/8" Male O-Ring	6	Top	Top	<b>1001450357</b>
3" (76.2mm)	10 1/4" (260.4mm)	Press Relief Valve/Service Port	3/8" Male O-Ring	3/8" Female O-Ring	6	Top	-	<b>1001450363</b>
3" (76.2mm)	10 1/4" (260.4mm)	Moisture Indicator	3/8" Male O-Ring	3/8" Male O-Ring	16	Top	Top	<b>1001450393</b>
3" (76.2mm)	10 1/4" (260.4mm)	Moisture Indicator/M10 Switch Port	Pad Mount	Pad Mount	6	Top	-	<b>1001450396</b>
3" (76.2mm)	10 3/16" (258.7mm)	M10 Switch Port	Pad Mount	Pad Mount	11	Side	-	<b>1001450408</b>
3" (76.2mm)	10 1/8" (257.2mm)	High Pressure Relief Valve	7/16" Female O-Ring	3/8" Female O-Ring	10	Top	Top	<b>540107C</b>
3" (76.2mm)	10 1/8" (257.2mm)	High Pressure Relief Valve	7/16" Female O-Ring	3/8" Female O-Ring	10	Top	Top	<b>540127C</b>
3" (76.2mm)	10 1/16" (255.6mm)	Press Relief Valve	11/16" Female O-Ring	3/8" Female O-Ring	9	Top	-	<b>1001450631</b>
3" (76.2mm)	10 1/8" (257.2mm)	Fuse Plug/Moisture Indicator	3/8" Male O-Ring	3/8" Male O-Ring	12	Top	Top	<b>540078C</b>
3" (76.2mm)	9 3/4" (247.7mm)	Moisture Indicator	5/8" Female O-Ring	5/8" Male O-Ring	12	Top	Top	<b>1000007893</b>
3" (76.2mm)	10 11/16" (271.4mm)	-	3/8 Tube Female	3/8 Tube Female	12	-	-	<b>1000259983</b>
3" (76.2mm)	10 11/16" (271.4mm)	-	Pad Mount	Pad Mount	12	-	-	<b>1001053396</b>
3" (76.2mm)	10 1/4" (260.4mm)	-	Pad Mount	Pad Mount	12	-	-	<b>1002090588</b>
3" (76.2mm)	10 1/16" (255.6mm)	Press Relief Valve	3/8" Male O-Ring	3/8" Male O-Ring	6	Side	-	<b>1001451454</b>
3" (76.2mm)	10 3/16" (258.7mm)	-	3/8" Female O-Ring	3/8" Male O-Ring	6	-	Top	<b>1001451771</b>
3" (76.2mm)	10 5/8" (270mm)	-	Pad Mount	Pad Mount	11	-	-	<b>1001452021</b>
3" (76.2mm)	10 1/8" (257.2mm)	Press Relief Valve	3/8" Male O-Ring	3/8" Male O-Ring	6	Side	-	<b>1001452318</b>

## Receiver Drier Specifications

2

RECEIVER DRIERS



## O-Ring Type Driers

Diameter	Height	Fuse/Pressure	Inlet	Outlet	Desiccant Level	Port	Glass	Part No
3" (76.2mm)	9 1/16" (230mm)	Press Relief Valve/Fusible Plug	3/8" Male O-Ring	3/8" Male O-Ring	9	-	Top	1001479504
3" (76.2mm)	10 3/16" (258.7mm)	Press Relief Valve/Service Port/Moisture Indicator	3/8" Male O-Ring	3/8" Male O-Ring	9	Top	-	1001451776
3" (76.2mm)	10 3/16" (258.7mm)	Press Relief Valve/Service Port/Moisture Indicator	3/8" Male O-Ring	3/8" Male O-Ring	6	Top	-	1001451952
3" (76.2mm)	7 5/8" (193.7mm)	Refrigerant Valve with Core	3/8" Male O-Ring	3/8" Male O-Ring	6	Top	-	1001478794
3" (76.2mm)	10 1/16" (255.6mm)	-	3/8" Tube Female	3/8" Tube Female	12	-	-	1000259984
3" (76.2mm)	10 1/16" (255.6mm)	-	3/8" Tube Female	3/8" Tube Female	12	-	-	1000259980
3" (76.2mm)	10 1/16" (255.6mm)	-	3/8" Tube Female	3/8" Tube Female	12	-	-	1000259981
3" (76.2mm)	10 5/8" (270mm)	-	Pad Mount	Pad Mount	11	-	-	1001452027
3" (76.2mm)	10 5/8" (270mm)	-	Pad Mount	Pad Mount	11	-	-	1001452028
3" (76.2mm)	9 1/4" (235mm)	Fuse Plug	3/8" Male O-Ring (Schrader Ports)	3/8" Male O-Ring (Schrader Ports)	4	Side	Top	540121
3" (76.2mm)	9 3/16" (233.2mm)	Moisture Indicator	3/8" Male O-Ring	3/8" Male O-Ring	12	Top	Top	526024C
3" (76.2mm)	9 1/16" (230mm)	Press Relief Valve/Service Port	3/8" Male O-Ring	3/8" Male O-Ring	6	Side	Top	1001452029
3" (76.2mm)	9 1/4" (235mm)	Press Relief Valve/Moisture Indicator	3/8" Male O-Ring	3/8" Male O-Ring	6	Side	-	1001452030
3" (76.2mm)	9 3/4" (247.7mm)	Pressure Relief Valve	3/8" Male O-Ring	3/8" Male O-Ring	12	-	Top	1001478797
3" (76.2mm)	6 5/16" (160.3mm)	Pressure Relief Valve	3/8" Male O-Ring	3/8" Male O-Ring	6	Side	Top	B402496
3" (76.2mm)	6 5/16" (160.3mm)	Fusable Plug	3/8" Male O-Ring	3/8" Male O-Ring	6	Side	-	1001452033
3" (76.2mm)	9" (228.6mm)	High Pressure Relief Valve	3/8" Male O-Ring	3/8" Male O-Ring	6	Side	Top	540059
3" (76.2mm)	8 11/16" (220.6mm)	-	3/8" Male O-Ring	3/8" Male O-Ring	12	None	Side	540094
3" (76.2mm)	6 5/16" (160.3mm)	Fuse Plug	3/8" Male O-Ring	3/8" Male O-Ring	4	Side	Top	1001479521
3" (76.2mm)	6 5/16" (160.3mm)	3/8 Plug	3/8" Female O-Ring	3/8" Male O-Ring	6	-	Top	1001478804
3" (76.2mm)	8 1/4" (209.6mm)	High Pressure Relief Valve	3/8" Male O-Ring	3/8" Male O-Ring	12	Top	Side	540111C
3" (76.2mm)	10 1/8" (257.2mm)	High Pressure Relief Valve/Moisture Indicator	3/8" Male O-Ring	3/8" Male O-Ring	16	Top	Top	540241
3" (76.2mm)	5 3/4" (146mm)	Fuse Plug/Service Port	3/8" Male O-Ring	3/8" Male O-Ring	-	Side	-	1000310183
3" (76.2mm)	6 5/16" (160.3mm)	High Pressure Relief Valve	3/8" Male O-Ring	3/8" Male O-Ring	12	-	Top	1000554489
3" (76.2mm)	6 5/16" (160.3mm)	Refrigerant Valve with Core	3/8" Male O-Ring	3/8" Male O-Ring	12	-	-	1000622970
3" (76.2mm)	10 5/8" (270mm)	-	Pad Mount	Pad Mount	11	-	-	1001452327
3" (76.2mm)	8 3/16" (208mm)	Service Port/Moisture Indicator	1/2" Female O-Ring	1/2" Male O-Ring	9	Top	Side	1001452358
3" (76.2mm)	6 5/16" (160.3mm)	Press Relief Valve	3/8" Male O-Ring	3/8" Male O-Ring	6	Side	Top	1001453765
3" (76.2mm)	7 3/8" (187.5mm)	Pressure Relief Valve/Low Pressure Switch	3/8" Male O-Ring	3/8" Male O-Ring	4	Side	Top	1002106141



800.499.6849 • shop.bergstrominc.com

253

## 2

## Receiver Drier Specifications

## O-Ring Type Driers

RECEIVER DRIERS



Diameter	Height	Fuse/Pressure	Inlet	Outlet	Desiccant Level	Port	Glass	Part No
3" (76.2mm)	10 5/8" (271mm)	-	No. 8 Slimline	No. 8 Slimline	12	-	-	1002460531
3" (76.2mm)	9 3/8" (238mm)	-	5/8"-18 Male O-Ring	5/8"-18 Male O-Ring	-	-	-	1002614241
3" (76.2mm)	10 5/8" (271mm)	-	Pad Mount	Pad Mount	150g	-	-	1002972032
3" (76.2mm)	10 1/4" (260.4mm)	-	Pad Mount	Pad Mount	150g	-	-	1002972033
4" (101.6mm)	6 11/16" (170mm)	-	Pad Mount	Pad Mount	16	-	-	1000039695
4" (101.6mm)	6 9/16" (166.6mm)	-	Pad Mount	Pad Mount	14	-	-	1000298975
4" (101.6mm)	6 9/16" (166.6mm)	-	Pad Mount	Pad Mount	16	-	-	1001450425
4" (101.6mm)	6 9/16" (166.6mm)	-	Pad Mount	Pad Mount	14	-	-	1001450427
4" (101.6mm)	6 9/16" (166.6mm)	-	Pad Mount	Pad Mount	14	-	-	1001860902
4" (101.6mm)	6 15/16" (176.2mm)	Fusable Plug	3/8" Male O-Ring	3/8" Male O-Ring	9	Side	-	1001452040
4" (101.6mm)	8 5/16" (211mm)	-	1-7/16" Male Oring	1-7/16" Male Oring	-	-	-	1001453083
4" (101.6mm)	8 7/8" (225.5mm)	Moisture Indicator	3/8" Female O-Ring	3/8" Male O-Ring	14	Top	Top	1001453427
4" (101.6mm)	7 15/16" (201.6mm)	Pressure Switch/Press Relief Valve/Moisture Indicator	3/8" Male O-Ring	3/8" Male O-Ring	13	Side	-	1001453456

## Quick Disconnect Type Driers

Diameter	Height	Fuse/Pressure	Inlet	Outlet	Desiccant Level	Port	Glass	Part No
2 1/2" (63.5mm)	7 3/4" (196.8mm)	-	Quick Disconnect	Quick Disconnect	16	-	-	1001478811
2 1/2" (63.5mm)	7 3/4" (196.8mm)	-	Quick Disconnect	Quick Disconnect	16	-	-	1002447375
3" (76.2mm)	10 1/4" (260.4mm)	Service Port/Service Port	Quick Disconnect	Quick Disconnect	18	Top	Top	1001450386

## Flare Type Driers

Diameter	Height	Fuse/Pressure	Inlet	Outlet	Desiccant Level	Port	Glass	Part No
2 1/2" (63.5mm)	8" (203.2mm)	-	3/8" Male Flare	3/8" Male Flare	4	-	-	540104

## In-Line Driers

Diameter	Height	Fuse/Pressure	Inlet	Outlet	Desiccant Level	Port	Glass	Part No
2 1/2" (63.5mm)	7 5/8" (193.7mm)	High Pressure Relief Valve	3/8" Female O-Ring	3/8" Male O-Ring	16	Top	Top	B402618
2 1/2" (63.5mm)	8 3/16" (208mm)	Moisture Indicator	1/2" Male O-Ring	1/2" Male O-Ring	2.2	-	Side	1001264912
2 1/2" (63.5mm)	9 1/2" (241.3mm)	-	3/8" Male O-Ring	3/8" Male O-Ring	11	-	-	1001452332
2 1/2" (63.5mm)	7 13/16" (198.4mm)	Moisture Indicator	1/2" Male O-Ring	1/2" Male O-Ring	11	Side	-	1001452361
2 1/2" (63.5mm)	11" (279.4mm)	-	3/8" Male O-Ring	1/2" Male O-Ring	4	-	-	1001453429

## Receiver Drier Specifications

2

RECEIVER DRIERS



## In-Line Driers

Diameter	Height	Fuse/Pressure	Inlet	Outlet	Desiccant Level	Port	Glass	Part No
2 31/64" (63mm)	10 25/32" (274mm)	M8 x 1.25	-	-	15	-	-	1001520903
3" (76.2mm)	11 5/16" (287mm)	Moisture Indicator	1/2" Male O-Ring	1/2" Male O-Ring	30	Side	-	1001264936
3" (76.2mm)	11 5/16" (287mm)	Moisture Indicator	1/2" Male O-Ring	1/2" Male O-Ring	32	Side	-	1001452336
3" (76.2mm)	9 1/2" (241.3mm)	-	1/2" Male O-Ring	1/2" Male O-Ring	6	-	-	1001452359
3 1/2" (88.9mm)	9 1/4" (235mm)	-	1"-14	13/16"-16	39.2	-	-	1000281228
4" (101.6mm)	7 3/4" (196.8mm)	-	3/8" Male O-Ring	3/8" Male O-Ring	12	Top	Top	1001429706
4" (101.6mm)	7 7/8" (200mm)	-	3/8" Male O-Ring	3/8" Male O-Ring	11	-	-	1001453097
4 1/16" (103.1mm)	7 1/2" (190.5mm)	-	3/8" Female O-Ring	3/8" Male O-Ring	11	-	-	1001479516

## Accumulators

Diameter	Height	Fuse/Pressure	Inlet	Outlet	Desiccant Level	Port	Glass	Part No
2 3/8" (60.3mm)	9 7/8" (250.8mm)	-	Pad Mount	Pad Mount	3	-	-	1001452347
3" (76.2mm)	7 1/16" (179.5mm)	-	Pad Mount	Pad Mount	4.6	-	-	1000812369
3" (76.2mm)	7 1/16" (179.5mm)	12mm Switch Port/13mm Charge Port	Pad Mount	Pad Mount	4.6	Side	-	1000812426
3" (76.2mm)	6 5/16" (160.3mm)	-	3/8" Tube O-Ring	Pad Mount	5	-	-	1001450645
3" (76.2mm)	6" (152.4mm)	-	Pad Mount	Pad Mount	5	-	-	1001450661
3" (76.2mm)	8 15/16" (227mm)	-	Pad Mount	Pad Mount	6	-	-	1001452409
3 1/2" (88.9mm)	8 1/8" (206.4mm)	Charging Valve, Switch Ports	5/8" Male Insert O-Ring	3/4" Male Insert O-Ring	-	-	-	526112
3 1/2" (88.9mm)	10 7/8" (276.2mm)	-	Pad Mount	Pad Mount	7	-	-	1001450636
3 1/2" (88.9mm)	9 1/4" (235mm)	-	Pad Mount	Pad Mount	7	-	-	1001451959
3 1/2" (88.9mm)	12 5/16" (312.4mm)	12mm Switch Port/R-134a Quick Coupler Service Port	5/8" Male Insert O-Ring	5/8" Male Insert O-Ring	-	-	-	526110
3 1/2" (88.9mm)	8 5/8" (219mm)	-	Pad Mount	Pad Mount	7	-	-	1001451954
3 5/8" (92mm)	8 1/8" (206.4mm)	-	Pad Mount	Pad Mount	-	-	-	526333C
3 11/16" (93.6mm)	9 1/8" (231.8mm)	-	Universal	Universal	-	-	-	525985C
4 1/2" (114.3mm)	6 1/4" (158.8mm)	-	Pad Mount	Pad Mount	-	-	-	1000477649



800.499.6849 • shop.bergstrominc.com

255

2

**Receiver Driers**  
**O-Ring Type Receiver Driers**

RECEIVER DRIERS



**Part No: 526024C**



Height: 9 3/16" (233.2mm)	Diameter: 3" (76.2mm)
Inlet: 3/8" Male O-Ring	Outlet: 3/8" Male O-Ring
Fuse/Pressure: Moisture Indicator	Desiccant Level: 12
Port: Top	Glass: Top

**Part No: 540059**



Height: 9" (228.6mm)	Diameter: 3" (76.2mm)
Inlet: 3/8" Male O-Ring	Outlet: 3/8" Male O-Ring
Fuse/Pressure: High Pressure Relief Valve	Desiccant Level: 6
Port: Side	Glass: Top

**Part No: 540060**



Height: 10" (254mm)	Diameter: 2 3/4" (69.9mm)
Inlet: 3/8" Male O-Ring	Outlet: 3/8" Male O-Ring
Fuse/Pressure: Fuse Plug	Glass: Side
Port: Top	

**Part No: 540062**



Height: 10 5/32" (258mm)	Diameter: 2 3/4" (69.9mm)
Inlet: 3/8" Male O-Ring	Outlet: 3/8" Male O-Ring
Fuse/Pressure: Fuse Plug	Desiccant Level: 11
Port: Top	Glass: Side

**Part No: 540072C**



Height: 10 1/8" (257.2mm)	Diameter: 3" (76.2mm)
Inlet: 3/8 Male O-Ring	Outlet: 3/8 Female O-Ring
Fuse/Pressure: (2) M10 Gauge Ports	Desiccant Level: 16
Port: Top	Glass: Top

**Part No: 540078C**



Height: 10 1/8" (257.2mm)	Diameter: 3" (76.2mm)
Inlet: 3/8 Male O-Ring	Outlet: 3/8 Male O-Ring
Fuse/Pressure: Fuse Plug / Moisture Indicator	Desiccant Level: 12
Port: Top	Glass: Top

**Part No: 540094**



Height: 8 11/16" (220.6mm)	Diameter: 3" (76.2mm)
Inlet: 3/8" Male O-Ring	Outlet: 3/8" Male O-Ring
Glass: Side	Desiccant Level: 12

**Part No: 540107C**



Height: 10 1/8" (257.2mm)	Diameter: 3" (76.2mm)
Inlet: 7/16 Female O-Ring	Outlet: 3/8 Female O-Ring
Fuse/Pressure: High Pressure Relief Valve	Desiccant Level: 10
Port: Top	Glass: Top

**Part No: 540111C**



Height: 8 1/4" (209.6mm)	Diameter: 3" (76.2mm)
Inlet: 3/8" Male O-Ring	Outlet: 3/8" Male O-Ring
Fuse/Pressure: High Pressure Relief Valve	Desiccant Level: 12
Port: Top	Glass: Side



## Receiver Driers

2

RECEIVER DRIERS



### O-Ring Type Receiver Driers (cont'd)

<b>Part No: 540121</b>	
Height: 9 1/4" (235mm)	Diameter: 3" (76.2mm)
Inlet: 3/8" Male O-Ring (Schrader Ports)	Outlet: 3/8" Male O-Ring (Schrader Ports)
Fuse/Pressure: Fuse Plug	Desiccant Level: 4
Port: Side	Glass: Top

<b>Part No: 540127C</b>	
Height: 10 1/8" (257.2mm)	Diameter: 3" (76.2mm)
Inlet: 7/16 Female O-Ring	Outlet: 3/8 Female O-Ring
Fuse/Pressure: High Pressure Relief Valve	Desiccant Level: 10
Port: Top	Glass: Top

<b>Part No: 540241</b>	
Height: 10 1/8" (257.2mm)	Diameter: 3" (76.2mm)
Inlet: 3/8" Male O-Ring	Outlet: 3/8" Male O-Ring
Fuse/Pressure: High Pressure Relief Valve/ Moisture Indicator	Desiccant Level: 16
Port: Top	Glass: Top

<b>Part No: 540433C</b>	
Height: 10 1/4" (260.4mm)	Diameter: 3" (76.2mm)
Inlet: Pad Mount	Outlet: Pad Mount
Fuse/Pressure: (2) M10 Switch Ports	Desiccant Level: 16
Port: Top	Glass: Top

<b>Part No: 100007893</b>	
Height: 9 3/4" (247.7mm)	Diameter: 3" (76.2mm)
Inlet: 5/8" Female O-Ring	Outlet: 5/8" Male O-Ring
Fuse/Pressure: Moisture Indicator	Desiccant Level: 12
Port: Top	Glass: Top

<b>Part No: 100039695</b>	
Height: 6 11/16" (170mm)	Diameter: 4" (101.6mm)
Inlet: Pad Mount	Outlet: Pad Mount
Desiccant Level: 16	

<b>Part No: 1000259980</b>	
Height: 10 11/16" (271.4mm)	Diameter: 3" (76.2mm)
Inlet: 3/8 Tube Female	Outlet: 3/8 Tube Female
Desiccant Level: 12	

<b>Part No: 1000259981</b>	
Height: 10 11/16" (271.4mm)	Diameter: 3" (76.2mm)
Inlet: 3/8 Tube Female	Outlet: 3/8 Tube Female
Desiccant Level: 12	

<b>Part No: 1000259983</b>	
Height: 10 11/16" (271.4mm)	Diameter: 3" (76.2mm)
Inlet: 3/8 Tube Female	Outlet: 3/8 Tube Female
Desiccant Level: 12	



2

Receiver Driers

O-Ring Type Receiver Driers (cont'd)

RECEIVER DRIERS



<b>Part No: 1000259984</b>	
	
Height: 10 11/16" (271.4mm)	Diameter: 3" (76.2mm)
Inlet: 3/8 Tube Female	Outlet: 3/8" Tube Female
Desiccant Level: 12	

<b>Part No: 1000298975</b>	
	
Height: 6 3/4" (171.5mm)	Diameter: 4" (101.6mm)
Inlet: Pad Mount	Outlet: Pad Mount
Desiccant Level: 14	

<b>Part No: 1000310183</b>	
	
Height: 5 3/4" (146mm)	Diameter: 3" (76.2mm)
Inlet: 3/8" Male O-Ring	Outlet: 3/8" Male O-Ring
Fuse/Pressure: Fuse Plug/Service Port	Port: Side

<b>Part No: 1000554489</b>	
	
Height: 6 5/16" (160.3mm)	Diameter: 3" (76.2mm)
Inlet: 3/8" Male O-Ring	Outlet: 3/8" Male O-Ring
Fuse/Pressure: High Pressure Relief Valve	Desiccant Level: 12
Glass: Top	

<b>Part No: 1000622970</b>	
	
Height: 6 5/16" (160.3mm)	Diameter: 3" (76.2mm)
Inlet: 3/8" Male O-Ring	Outlet: 3/8" Male O-Ring
Fuse/Pressure: Refrigerant Valve with Core	Desiccant Level: 12

<b>Part No: 1001053396</b>	
	
Height: 10 11/16" (271.4mm)	Diameter: 3" (76.2mm)
Inlet: Pad Mount	Outlet: Pad Mount
Desiccant Level: 12	

<b>Part No: 1001450297</b>	
	
Height: 8 5/16" (211mm)	Diameter: 3" (76.2mm)
Inlet: 3/8" Male O-Ring	Outlet: 3/8" Female O-Ring
Fuse/Pressure: Switch Port/Service Port	Desiccant Level: 6
Port: Top	Glass: Top

<b>Part No: 1001450357</b>	
	
Height: 8 7/16" (214.3mm)	Diameter: 3" (76.2mm)
Inlet: 3/8" Male O-Ring	Outlet: 3/8" Male O-Ring
Fuse/Pressure: Press Relief Valve/Fusible Plug	Desiccant Level: 6
Port: Top	Glass: Top

<b>Part No: 1001450363</b>	
	
Height: 10 1/4" (260.4mm)	Diameter: 3" (76.2mm)
Inlet: 3/8" Male O-Ring	Outlet: 3/8" Female O-Ring
Fuse/Pressure: Press Relief Valve/Service Port	Desiccant Level: 6
Port: Top	

## Receiver Driers

2

RECEIVER DRIERS



### O-Ring Type Receiver Driers (cont'd)

<b>Part No: 1001450393</b>	
Height: 10 1/4" (260.4mm)	Diameter: 3" (76.2mm)
Inlet: 3/8" Male O-Ring	Outlet: 3/8" Female O-Ring
Fuse/Pressure: Moisture Indicator	Desiccant Level: 16
Port: Top	Glass: Top

<b>Part No: 1001450396</b>	
Height: 10 1/4" (260.4mm)	Diameter: 3" (76.2mm)
Inlet: Pad Mount	Outlet: Pad Mount
Fuse/Pressure: Moisture Indicator/M10 Switch Port	Desiccant Level: 6
Port: Top	

<b>Part No: 1001450408</b>	
Height: 10 3/16" (258.7mm)	Diameter: 3" (76.2mm)
Inlet: Pad Mount	Outlet: Pad Mount
Fuse/Pressure: M10 Switch Port	Desiccant Level: 11
Port: Side	

<b>Part No: 1001450425</b>	
Height: 6 9/16" (166.6mm)	Diameter: 4" (101.6mm)
Inlet: Pad Mount	Outlet: Pad Mount
Desiccant Level: 16	

<b>Part No: 1001450427</b>	
Height: 6 9/16" (166.6mm)	Diameter: 4" (101.6mm)
Inlet: Pad Mount	Outlet: Pad Mount
Desiccant Level: 14	

<b>Part No: 1001450631</b>	
Height: 10 1/16" (255.6mm)	Diameter: 3" (76.2mm)
Inlet: 11/16" Female O-Ring	Outlet: 3/8" Female O-Ring
Fuse/Pressure: Press Relief Valve	Desiccant Level: 9
Port: Top	

<b>Part No: 1001451454</b>	
Height: 10 1/16" (255.6mm)	Diameter: 3" (76.2mm)
Inlet: 3/8" Male O-Ring	Outlet: 3/8" Male O-Ring
Fuse/Pressure: Press Relief Valve	Desiccant Level: 6
Port: Side	

<b>Part No: 1001451771</b>	
Height: 10 3/16" (258.7mm)	Diameter: 3" (76.2mm)
Inlet: 3/8" Female O-Ring	Outlet: 3/8" Male O-Ring
Glass: Top	Desiccant Level: 6

<b>Part No: 1001451776</b>	
Height: 10 3/16" (258.7mm)	Diameter: 3" (76.2mm)
Inlet: 3/8" Male O-Ring	Outlet: 3/8" Male O-Ring
Fuse/Pressure: Press Relief Valve/ M10 Service Port/Moisture Indicator	Desiccant Level: 9
Port: Top	



800.499.6849 • shop.bergstrominc.com

2

Receiver Driers

O-Ring Type Receiver Driers (cont'd)

RECEIVER DRIERS



**Part No: 1001451908**



Height: 10 1/16" (255.6mm)	Diameter: 2 3/4" (70mm)
Inlet: 3/8" Male O-Ring	Outlet: 3/8" Male O-Ring
Fuse/Pressure: Press Relief Valve/Service Port	Desiccant Level: 6
Port: Side	

**Part No: 1001451952**



Height: 10 3/16" (258.7mm)	Diameter: 3" (76.2mm)
Inlet: 3/8" Male O-Ring	Outlet: 3/8" Male O-Ring
Fuse/Pressure: Press Relief Valve/7/16 Service Port/Moisture Indicator	Desiccant Level: 6
Port: Top	

**Part No: 1001452021**



Height: 10 5/8" (269.9mm)	Diameter: 3" (76.2mm)
Inlet: Pad Mount	Outlet: Pad Mount
Desiccant Level: 11	

**Part No: 1001452027**



Height: 10 5/8" (269.9mm)	Diameter: 3" (76.2mm)
Inlet: Pad Mount	Outlet: Pad Mount
Desiccant Level: 11	

**Part No: 1001452028**



Height: 10 5/8" (269.9mm)	Diameter: 3" (76.2mm)
Inlet: Pad Mount	Outlet: Pad Mount
Desiccant Level: 11	

**Part No: 1001452029**



Height: 9 1/16" (230mm)	Diameter: 3" (76.2mm)
Inlet: 3/8" Male O-Ring	Outlet: 3/8" Male O-Ring
Fuse/Pressure: Press Relief Valve/Service Port/Moisture Indicator	Desiccant Level: 6
Port: Side	Glass: Top

**Part No: 1001452030**



Height: 9 1/4" (235mm)	Diameter: 3" (76.2mm)
Inlet: 3/8" Male O-Ring	Outlet: 3/8" Male O-Ring
Fuse/Pressure: Press Relief Valve/Moisture Indicator	Desiccant Level: 6
Port: Side	

**Part No: 1001452033**



Height: 6 5/16" (160.3mm)	Diameter: 3" (76.2mm)
Inlet: 3/8" Male O-Ring	Outlet: 3/8" Male O-Ring
Fuse/Pressure: Fusible Plug	Desiccant Level: 6
Port: Side	

**Part No: 1001452040**



Height: 6 15/16" (176.2mm)	Diameter: 4" (101.6mm)
Inlet: 3/8" Male O-Ring	Outlet: 3/8" Male O-Ring
Fuse/Pressure: Fusible Plug	Desiccant Level: 9
Port: Side	

## Receiver Driers

2

RECEIVER DRIERS



### O-Ring Type Receiver Driers (cont'd)

**Part No: 1001452318**



Height: 10 1/8" (257.2mm)	Diameter: 3" (76.2mm)
Inlet: 3/8" Male O-Ring	Outlet: 3/8" Male O-Ring
Fuse/Pressure: Press Relief Valve	Desiccant Level: 6
Port: Side	

**Part No: 1001452327**



Height: 10 5/8" (269.9mm)	Diameter: 3" (76.2mm)
Inlet: Pad Mount	Outlet: Pad Mount
Desiccant Level: 11	

**Part No: 1001452358**



Height: 8 3/16" (208mm)	Diameter: 3" (76.2mm)
Inlet: 1/2" Female O-Ring	Outlet: 1/2" Male O-Ring
Fuse/Pressure: Service Port/Moisture Indicator	Desiccant Level: 9
Port: Top	Glass: Side

**Part No: 1001453083**



Height: 8 5/16" (211mm)	Diameter: 4" (101.6mm)
Inlet: 1-7/16" Male Oring	Outlet: 1-7/16" Male Oring

**Part No: 1001453427**



Height: 8 7/8" (225.5mm)	Diameter: 4" (101.6mm)
Inlet: 3/8" Female O-Ring	Outlet: 3/8" Male O-Ring
Fuse/Pressure: Moisture Indicator	Desiccant Level: 14
Port: Top	Glass: Top

**Part No: 1001453433**



Height: 6 5/16" (160.3mm)	Diameter: 2 1/2" (63.5mm)
Inlet: M18 Male O-Ring	Outlet: M18 Male O-Ring
Glass: Top	Desiccant Level: 5

**Part No: 1001453455**



Height: 8" (203.2mm)	Diameter: 2 1/2" (63.5mm)
Inlet: 3/8" Male O-Ring	Outlet: 3/8" Male O-Ring
Desiccant Level: 4	

**Part No: 1001453456**



Height: 7 15/16" (201.6mm)	Diameter: 4" (101.6mm)
Inlet: 3/8" Male O-Ring	Outlet: 3/8" Male O-Ring
Fuse/Pressure: Pressure Switch/Press Relief Valve/Moisture Indicator	Desiccant Level: 13
Port: Side	

**Part No: 1001453765**



Height: 6 5/16" (160.3mm)	Diameter: 3" (76.2mm)
Inlet: 3/8" Male O-Ring	Outlet: 3/8" Male O-Ring
Fuse/Pressure: Press Relief Valve	Desiccant Level: 6
Port: Side	Glass: Top



2

**Receiver Driers**  
**O-Ring Type Receiver Driers (cont'd)**

RECEIVER DRIERS



**Part No: 1001478794**



Height: 7 5/8" (193.7mm)	Diameter: 3" (76.2mm)
Inlet: 3/8" Male O-Ring	Outlet: 3/8" Male O-Ring
Fuse/Pressure: Refrigerant Valve with Core	Desiccant Level: 6
Port: Top	

**Part No: 1001478797**



Height: 9 3/4" (247.7mm)	Diameter: 3" (76.2mm)
Inlet: 3/8" Male O-Ring	Outlet: 3/8" Female O-Ring
Fuse/Pressure: Pressure Relief Valve	Desiccant Level: 12
Glass: Top	

**Part No: 1001478801**



Height: 8" (203.2mm)	Diameter: 2 1/2" (63.5mm)
Inlet: 3/8" Male O-Ring	Outlet: 3/8" Male O-Ring
Fuse/Pressure: Fuse Plug/Low Pressure Switch	Desiccant Level: 6
Port: Top	

**Part No: 1001478804**



Height: 6 5/16" (160.3mm)	Diameter: 3" (76.2mm)
Inlet: 3/8" Male O-Ring	Outlet: 3/8" Male O-Ring
Fuse/Pressure: 3/8 Plug	Desiccant Level: 6
Glass: Top	

**Part No: 1001479504**



Height: 9 1/16" (230mm)	Diameter: 3" (76.2mm)
Inlet: 3/8" Male O-Ring	Outlet: 3/8" Male O-Ring
Fuse/Pressure: Press Relief Valve/Fusible Plug	Desiccant Level: 9
Glass: Top	

**Part No: 1001479521**



Height: 6 5/16" (160.3mm)	Diameter: 3" (76.2mm)
Inlet: 3/8" Male O-Ring	Outlet: 3/8" Male O-Ring
Fuse/Pressure: Fuse Plug	Desiccant Level: 4
Port: Side	Glass: Top

**Part No: 1001860902**



Height: 6 9/16" (166.6mm)	Diameter: 4" (101.6mm)
Inlet: Pad Mount	Outlet: Pad Mount
Desiccant Level: 14	

**Part No: 1002089977**



Height: 8" (203.2mm)	Diameter: 2 1/2" (63.5mm)
Inlet: 3/8" Male O-Ring	Outlet: 3/8" Male O-ring
Fuse/Pressure: Refrigerant Valve with Core	Desiccant Level: 8

**Part No: 1002090588**



Height: 10 1/4" (260.4mm)	Diameter: 3" (76.2mm)
Inlet: Pad Mount	Outlet: Pad Mount
Desiccant Level: 12	

## Receiver Driers

2

RECEIVER DRIERS



### O-Ring Type Receiver Driers (cont'd)

**Part No: 1002106141**



Height: 7 3/8" (187.5mm)	Diameter: 3" (76.2mm)
Inlet: 3/8" Male O-Ring	Outlet: 3/8" Male O-Ring
Fuse/Pressure: Pressure Relief Valve/Low Pressure Switch	Desiccant Level: 4
Port: Side	Glass: Top

**Part No: 1002460531**



Height: 10 5/8" (271mm)	Diameter: 3" (76.2mm)
Inlet: No. 8 Slimline	Outlet: No. 8 Slimline
Desiccant Level: 12	

**Part No: 1002614241**



Height: 9 3/8" (238mm)	Diameter: 3" (76.2mm)
Inlet: No. 6 (5/8"-18) Male O-Ring	Outlet: No. 6 (5/8"-18) Male O-Ring

**Part No: 1002972032**



Height: 10 5/8" (270mm)	Diameter: 3" (76.2mm)
Inlet: Pad Mount	Outlet: Pad Mount
Desiccant Level: 150g	

**Part No: 1002972033**



Height: 10 1/4" (260.40mm)	Diameter: 3" (76.2mm)
Inlet: Pad Mount	Outlet: Pad Mount
Desiccant Level: 150g	

**Part No: B402496**



Height: 6 5/16" (160.3mm)	Diameter: 3" (76.2mm)
Inlet: 3/8 Male O-Ring	Outlet: 3/8 Male O-Ring
Fuse/Pressure: Pressure Relief Valve	Desiccant Level: 6
Port: Side	Glass: Top

**Part No: B402562**



Height: 8" (203.2mm)	Diameter: 2 1/2" (63.5mm)
Inlet: 3/8" Male O-Ring	Outlet: 3/8" Male O-Ring
Fuse/Pressure: High Pressure Relief Valve	Desiccant Level: 6
Glass: Top	

**Part No: B402565**



Height: 10" (254mm)	Diameter: 2 3/4" (69.9mm)
Inlet: 3/8" Male O-Ring	Outlet: 3/8" Male O-Ring
Fuse/Pressure: High Pressure Relief Valve/ Low Pressure Switch	Glass: Top
Port: Side	



800.499.6849 • shop.bergstrominc.com

2

RECEIVER DRIERS

Receiver Driers

Quick Disconnect Type Receiver Driers

Part No: 1001450386



Height: 10 1/4" (260.4mm)	Diameter: 3" (76.2mm)
Inlet: Quick Disconnect	Outlet: Quick Disconnect
Fuse/Pressure: Service Port/Service Port	Desiccant Level: 18
Port: Top	Glass: Top

Part No: 1001478811



Height: 7 3/4" (196.8mm)	Diameter: 2 1/2" (63.5mm)
Inlet: Quick Disconnect	Outlet: Quick Disconnect
Desiccant Level: 16	

Part No: 1002447375



Height: 7 3/4" (196.8mm)	Diameter: 2 1/2" (63.5mm)
Inlet: Quick Disconnect	Outlet: Quick Disconnect
Desiccant Level: 16	

In-Line Type Receiver Driers

Part No: 1000281228



Height: 9 1/4" (235mm)	Diameter: 3 1/2" (88.9mm)
Inlet: 1"-14	Outlet: 13/16"-16
Desiccant Level: 39.2	

Part No: 1001264912



Height: 8 3/16" (208mm)	Diameter: 2 1/2" (63.5mm)
Inlet: 1/2" Male O-Ring	Outlet: 1/2" Male O-Ring
Fuse/Pressure: Moisture Indicator	Desiccant Level: 2.2
Glass: Side	

Part No: 1001264936



Height: 11 5/16" (287mm)	Diameter: 3" (76.2mm)
Inlet: 1/2" Male O-Ring	Outlet: 1/2" Male O-Ring
Fuse/Pressure: Moisture Indicator	Desiccant Level: 30
Port: Side	

Part No: 1001429706



Height: 7 3/4" (196.8mm)	Diameter: 4" (101.6mm)
Inlet: 3/8" Male O-Ring	Outlet: 3/8" female O-Ring
Port: Top	Desiccant Level: 12
Glass: Top	

Part No: 1001452332



Height: 9 1/2" (241.3mm)	Diameter: 2 1/2" (63.5mm)
Inlet: 3/8" Male O-Ring	Outlet: 3/8" Male O-Ring
Desiccant Level: 11	

Part No: 1001452336



Height: 11 5/16" (287mm)	Diameter: 3" (76.2mm)
Inlet: 1/2" Male O-Ring	Outlet: 1/2" Male O-Ring
Fuse/Pressure: Moisture Indicator	Desiccant Level: 32
Port: Side	



## Receiver Driers

2

RECEIVER DRIERS



### In-Line Type Receiver Driers (cont'd)

**Part No: 1001452359**



Height: 9 1/2" (241.3mm)	Diameter: 3" (76.2mm)
Inlet: 1/2" Male O-Ring	Outlet: 1/2" Male O-Ring
Desiccant Level: 6	

**Part No: 1001452361**



Height: 7 13/16" (198.4mm)	Diameter: 2 1/2" (63.5mm)
Inlet: 1/2" Male O-Ring	Outlet: 1/2" Male O-Ring
Fuse/Pressure: Moisture Indicator	Desiccant Level: 11
Port: Side	

**Part No: 1001453097**



Height: 7 7/8" (200mm)	Diameter: 4" (101.6mm)
Inlet: 3/8" Female O-Ring	Outlet: 3/8" Male O-Ring
Desiccant Level: 11	

**Part No: 1001453429**



Height: 11" (279.4mm)	Diameter: 2 1/2" (63.5mm)
Inlet: 3/8" Male O-Ring	Outlet: 1/2" Male O-Ring
Desiccant Level: 4	

**Part No: 1001479516**



Height: 7 1/2" (190.5mm)	Diameter: 4 1/16" (103.1mm)
Inlet: 3/8" Female O-Ring	Outlet: 3/8" Male O-Ring
Desiccant Level: 11	

**Part No: 1001520903**



Height: 10 25/32" (274mm)	Diameter: 2 31/64" (63mm)
Fuse/Pressure: M8 x 1.25	Desiccant Level: 15

**Part No: B402618**



Height: 7 5/8" (193.7mm)	Diameter: 2 1/2" (63.5mm)
Inlet: 3/8 Female O-Ring	Outlet: 3/8" Male O-Ring
Fuse/Pressure: High Pressure Relief Valve	Desiccant Level: 16
Port: Top	Glass: Top



2

RECEIVER DRIERS

Receiver Driers

Flare Type Receiver Driers

Part No: 540104



Height: 8" (203.2mm)	Diameter: 2 1/2" (63.5mm)
Inlet: 3/8" Male Flare	Outlet: 3/8" Male Flare
Desiccant Level: 4	

Spin-On Receiver Driers

Part No: 530743



General Specifications: Spin-on filter drier for 17700A, 17700-2K, 34134A, 34134-2K, 342000, 34234, 34300-2K, 34700, 34700-2K, 34800, 34800-2K, 34900 series

Accumulators

Part No: 525985C



Height: 9 1/8" (231.8mm)	Diameter: 3 11/16" (93.6mm)
Inlet: Universal Accumulator	Outlet: Universal Accumulator

Part No: 526110



Height: 12 5/16" (312.4mm)	Diameter: 3 1/2" (88.9mm)
Inlet: 5/8" Male Insert O-Ring	Outlet: 5/8" Male Insert O-Ring
Fuse/Pressure: 12mm Switch Port/R-134a Quick Coupler Service Port	

Part No: 526112



Height: 8 1/8" (206.4mm)	Diameter: 3 1/2" (88.9mm)
Inlet: 5/8" Male Insert O-Ring	Outlet: 3/4" Male Insert O-Ring
Fuse/Pressure: Charging Valve, Switch Ports	Port: Charging Valve, Switch

Part No: 526333C



Height: 8 1/8" (206.4mm)	Diameter: 3 5/8" (92mm)
Inlet: Pad Mount	Outlet: Pad Mount

Part No: 1000477649



Height: 6 1/4" (158.8mm)	Diameter: 4 1/2" (114.3mm)
Inlet: Pad Mount	Outlet: Pad Mount

Part No: 1000812369



Height: 7 1/16" (179.5mm)	Diameter: 3" (76mm)
Inlet: Pad Mount	Outlet: Pad Mount
Desiccant Level: 4.6	

## Receiver Driers

2

RECEIVER DRIERS



### Accumulators (cont'd)

**Part No: 1000812426**



Height: 7 1/16" (179.5mm)	Diameter: 3" (76.2mm)
Inlet: Pad Mount	Outlet: Pad Mount
Fuse/Pressure: 12mm Switch Port/13mm Charge Port	Desiccant Level: 4.6
Port: Side	

**Part No: 1001450636**



Height: 10 7/8" (276.2mm)	Diameter: 3 1/2" (89mm)
Inlet: Pad Mount	Outlet: Pad Mount
Desiccant Level: 7	

**Part No: 1001450645**



Height: 6 5/16" (160.3mm)	Diameter: 3" (76.2mm)
Inlet: 3/8" Tube O-Ring	Outlet: Pad Mount
Desiccant Level: 5	

**Part No: 1001450661**



Height: 6" (152.4mm)	Diameter: 3" (76.2mm)
Inlet: Pad Mount	Outlet: Pad Mount
Desiccant Level: 5	

**Part No: 1001451954**



Height: 8 5/8" (219mm)	Diameter: 3 1/2" (89mm)
Inlet: Pad Mount	Outlet: Pad Mount
Desiccant Level: 7	

**Part No: 1001451959**



Height: 9 1/4" (235mm)	Diameter: 3 1/2" (89mm)
Inlet: Pad Mount	Outlet: Pad Mount
Desiccant Level: 7	

**Part No: 1001452347**



Height: 9 7/8" (250.8mm)	Diameter: 2 3/8" (60.3mm)
Inlet: Pad Mount	Outlet: Pad Mount
Desiccant Level: 3	

**Part No: 1001452409**



Height: 8 15/16" (227mm)	Diameter: 3" (76.2mm)
Inlet: Pad Mount	Outlet: Pad Mount
Desiccant Level: 6	



2

### Brackets & Valve Kits

#### Mounting Brackets

RECEIVER DRIERS



Part No: B510563-S



General Specifications: Receiver Drier Weldment Bracket

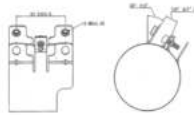
Part No: B514043-S



General Specifications: Receiver Drier Bracket, economical model for light duty applications (accepts 2 1/2" diameter driers).

#### Pressure Relief Valve Kits

Part No: 1002509897



General Specifications: Pressure Relief Valve Kit

## Service Tips

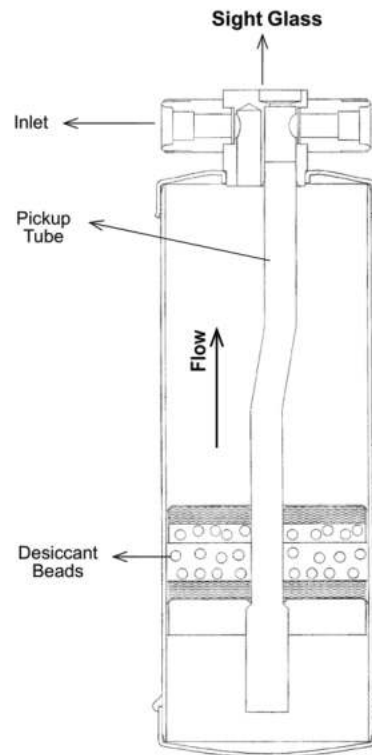
2

RECEIVER DRIERS

### Receiver Drier Service Tips

*The receiver drier stores excess refrigerants, filters out contaminants from the HVAC system, and removes moisture to protect the system from internal corrosion.*

Service Tips on Receiver Driers	
<b>Placement</b>	Placement should be on the high-pressure side and warm to touch during operation.
<b>Visually Inspect for Leaks</b>	Visually inspect fittings; note any oil seepage. This may indicate a leak.
<b>Receiver Drier Replacement</b>	Upon opening the system always replace the receiver drier with a new, original OEM part.
<b>Fittings</b>	Never leave the fittings uncovered prior to installation.
<b>HVAC System Servicing</b>	The receiver Drier should be the last component replaced during service of the HVAC system.







*Air Conditioning & Heating  
Replacement Parts*

# Switches



2

SWITCHES

<b>Electrical Switches</b>	<b>272</b>
Air Cylinders	272
Clutch & Micro Switch	272
Electronic Freeze Switches	272
Push Button Switches	272
Rocker Switches	273
Rotary Switches	273
Toggle Switches	274
<b>Pressure Switches</b>	<b>276</b>
Trinary Pressure Switches	276
Binary Pressure Switches	277
High Pressure Switches	278
High Pressure Cutout Switches	280
Low Pressure Switches	281
Low Pressure Cutout Switches	283
Miscellaneous Pressure Switches	283
Cycling Pressure Switches	284
<b>Thermostatic Switches</b>	<b>284</b>
Cable-Controlled Thermostats	284
Preset Thermostats	285
Rotary & Variable Thermostats	286
Adjustable Thermostats	287
<b>Miscellaneous Switches</b>	<b>287</b>
Miscellaneous Switches	287
Electronic Thermostats	287
Fan Switches	288
Switch Kits	288
<b>Circuit Breakers</b>	<b>288</b>
<b>Linear Power Modules</b>	<b>289</b>

<b>Relays</b>	<b>290</b>
<b>Resistors</b>	<b>291</b>
<b>Sensors</b>	<b>294</b>



Call: 800.499.6849 for Technical Assistance

Availability of the products shown in this reference guide is subject to change without notice by Bergstrom, Inc.  
For the most current product information please visit the Bergstrom Distributor website at <https://shop.bergstrominc.com/>.

271

2

**Electrical Switches**

**Air Cylinders**

SWITCHES

**Part No: 589910**



Motor Length: 5 1/2" (139.7mm)
Shaft Diameter: 7/8" (22.35mm)
Fitting Type: 3/16" Push-In Nylon Tube
General Specifications: Double

**Part No: 591510**



Motor Length: 3 11/16" (93.73mm)
Shaft Diameter: 5/8" (15.88mm)
Fitting Type: 3/16" Push-In Nylon Tube
General Specifications: Dual Shaft

**Part No: 591540**



Motor Length: 4 15/16" (125.22mm)
Shaft Diameter: 45/64" (17.78mm)
Fitting Type: 3/16" Push-In Nylon Tube




**Clutch & Micro Switch**

**Part No: 650471**



Pole/Throw Type: DPDT
No./Type of Terminal: 2
Function: ON-OFF


**Part No: 652100**



General Specifications: Clutch Switch
Pole/Throw Type: SPDT
No./Type of Terminal: 3
Function: ON-OFF

**Electronic Freeze Switches**

**Part No: 1000340317**



General Specifications: Bus Service Part
Voltage: 12V
Length: 42 11/32" (1075.5mm)
Capillary Length: 39 3/8" (1000mm)

**Push Button Switches**

**Part No: 591520**



General Specifications: Square Push Button Valve;
3-Way, Normally Closed
Function: ON-OFF



## Electrical Switches

2

SWITCHES



### Rocker Switches

**Part No: 534100**



General Specifications: Double Rocker Fan Switch  
 Pole/Throw Type: DPDT  
 No./Type of Terminal: 5  
 Function: ON-OFF-ON

**Part No: 570500**



Pole/Throw Type: SPDT  
 No./Type of Terminal: 3  
 Function: ON-OFF-ON

**Part No: 650088**



Voltage: 12V  
 Pole/Throw Type: SPDT  
 No./Type of Terminal: 2  
 Function: ON-OFF

**Part No: 650622**



Pole/Throw Type: SPDT  
 No./Type of Terminal: 5  
 Function: On-Off

**Part No: B220891**



Speed: 2  
 Voltage: 12V  
 Pole/Throw Type: DPDT  
 No./Type of Terminal: 6  
 Function: ON-OFF-ON

### Rotary Switches

**Part No: 650086**



Speed: 3  
 Voltage: 12V  
 Amps: 25 amp  
 Pole/Throw Type: Rotary  
 No./Type of Terminal: 5

**Part No: 650465**



Pole/Throw Type: Rotary  
 No./Type of Terminal: 4

**Part No: 650657**



Speed: 3  
 Voltage: 12V  
 General Specifications: Blower Switch  
 Amps: 20 amp  
 No./Type of Terminal: 5



800.499.6849 • shop.bergstrominc.com

273

2


**Electrical Switches**

**Rotary Switches** (cont'd)

SWITCHES



**Part No: 650882**



Speed: 4
General Specifications: Blower Switch
Pole/Throw Type: Rotary
No./Type of Terminal: 6

**Part No: 890072**



Speed: 3
Voltage: 12V
Amps: 25 amp
No./Type of Terminal: 5

**Part No: B220300**




Speed: 3
Voltage: 12V
No./Type of Terminal: 3

**Part No: B220743**



Speed: 3
Voltage: 12V
General Specifications: Tandem Blower Switch w/ resistor
No./Type of Terminal: 6

**Part No: B222975**



Speed: 3
Voltage: 12V
Amps: 25 amp
No./Type of Terminal: 5

**Toggle Switches**

**Part No: 650438**



Pole/Throw Type: SPST
Function: OFF-ON-ON-ON

**Part No: 650644**



Pole/Throw Type: DPDT
Function: ON-OFF

**Part No: 650645**



Pole/Throw Type: DPDT
Function: ON-OFF-ON

## Electrical Switches

2

### Toggle Switches (cont'd)

**Part No: 650607**



Pole/Throw Type: Toggle  
Function: OFF-ON-ON-ON

**Part No: 650606**



Pole/Throw Type: Toggle  
Function: OFF-ON-ON-ON

**Part No: 650871**



Pole/Throw Type: Toggle  
Function: OFF-ON-ON-ON

**Part No: 650954**



Pole/Throw Type: 15/32"-32  
Function: ON-OFF-ON

**Part No: 651154**



General Specifications: Air control switch  
Pole/Throw Type: 1/8" NPT Thread  
Function: ON-OFF

**Part No: 652090**



General Specifications: Blower fan switch  
Pole/Throw Type: SPST  
No./Type of Terminal: 5  
Function: OFF-ON-ON-ON

**Part No: B221005**



General Specifications: Chrome Toggle  
Pole/Throw Type: SPST  
No./Type of Terminal: 2  
Function: ON-OFF

**Part No: B221181**



Voltage: 12V  
General Specifications: Chrome Toggle  
Amps: 25 amp  
Pole/Throw Type: DPST  
No./Type of Terminal: 4  
Function: ON-OFF

**Part No: B221503**



Voltage: 12V / 24V  
General Specifications: Blower fan switch  
Amps: 25 amp / 12.5 amp  
Pole/Throw Type: SPST  
No./Type of Terminal: 5  
Function: OFF-ON-ON-ON

SWITCHES



2

Pressure Switches

Toggle Switches (cont'd)

SWITCHES



**Part No: B222013**



Pole/Throw Type: DPDT
No./Type of Terminal: 4
Function: OFF - LOW - HIGH

Trinary Pressure Switches

This switch assembly performs three distinct functions. The first function prevents the compressor from operating if system charge is lost or ambient temperature is too low. The second stops compressor if head pressure increases to unsafe levels. It automatically resets when pressure drops back to normal. The third function is a shutter/fan override switch that keeps head pressure within normal range by opening shutters or operating engine fan to increase air flow across condenser when head pressure rises above set valve.

Install trinary on liquid side of A/C system between condenser and expansion valve, for use with R-12 and R-134a systems.

Trinary Pressure Protection		
<b>Low Pressure</b>	22.5±7.5 Psi (Falling Pressure)	40 Psi (Rising Pressure)
<b>High Pressure</b>	325±25 Psi	230±20 Psi Below (Opening Pressure)
<b>Shutter/Fan Override</b>	35 - 60 Psi Below (Closing Pressure)	200 - 230 Psi (Rising Pressure)

**Part No: 650627**



Position: Normally Closed Shutter Fan Switch
Mounting Configuration: 7/16"-20 UNF-2B Female Thread

**Part No: 650633**



Position: Normally Open Shutter Fan Switch
Mounting Configuration: 7/16"-20 UNF-2B Female Thread

# Pressure Switches

2

SWITCHES

## Binary Pressure Switches

This switch assembly performs two distinct functions. The first function prevents the compressor from operating if system charge is lost or ambient temperature is too low. The second stops compressor if head pressure increases to unsafe levels. It automatically resets when pressure drops back to normal.

Install binary on liquid side of A/C system between condenser and expansion valve, for use with R-12 and R-134a systems.

Binary Pressure Protection		
<b>Low Pressure</b>	30 - 15 Psi (Falling Pressure)	40 Psi (Rising Pressure)
<b>High Pressure</b>	270 - 330 Psi (Rising Pressure)	80 - 120 Psi Below (Opening Pressure)

**Part No: 650448**



Mounting Configuration: 7/16"-20 UNF-2B Female Thread (Installation on Male Schrader Type Valve)

**Part No: 650869**



Mounting Configuration: 1/4" Female Binary Switch (R-12)

**Part No: 650870**



Mounting Configuration: M10 Female Binary Switch (R-134a)

**Part No: 1000246795**



Fitting Size: M10 x 1.25-6H  
 No./Type of Terminal: Parkard Connectors  
 Function: Normally Open  
 Cut In: 200-300  
 Cut Out: 380-420

**Part No: 1000345640**



Mounting Configuration: M10 Fitting



2

**Pressure Switches**  
**High Pressure Switches**

SWITCHES



<b>Part No: 650203</b>
Fitting Size: 1/4" Female Flare
No./Type of Terminal: Parkard Connectors
Function: Normally Closed
Position: Normally Closed
Actuation: 30 psi
Deactuation: 7 psi
Lead Length: 6"



<b>Part No: 650436</b>
Fitting Size: M10 x 1.25 Female Shrader
No./Type of Terminal: Metripack Connector
Function: Normally Closed
Position: Normally Closed
Actuation: 285 psi
Deactuation: 245 psi
Lead Length: 10", TO END OF CONNECTOR
Cut In: Set: 285
Cut Out: Reset: 245



<b>Part No: 650594</b>
Fitting Size: 7/16" -20 Female
Position: Normally Closed
Actuation: 250 psi
Deactuation: 100 psi
Lead Length: 5 1/2"



<b>Part No: 650944</b>
Fitting Size: 1/4" Female
Position: Normally Open
Actuation: 300 psi
Deactuation: 210 psi



<b>Part No: 651323</b>
Fitting Size: M10 x 1.25-6H
No./Type of Terminal: Parkard Connectors
Function: Normally Closed
Position: Closed
Actuation: 330 psi
Deactuation: 180 psi
Cut In: 180-240
Cut Out: 330-370



<b>Part No: 1000198469</b>
Fitting Size: M12 x 1.5-6H
No./Type of Terminal: Packard
Function: Normally Open
Position: Normally Open
Actuation: 30 psi
Deactuation: 10 psi



<b>Part No: 1000198478</b>
Fitting Size: M10 x 1.25-6H
No./Type of Terminal: Parkard Connectors
Function: Normally Open
Actuation: 350 psi
Deactuation: 230 psi
Cut In: 230
Cut Out: 350



<b>Part No: 1000250288</b>
Fitting Size: M10 x 1.25-6H
No./Type of Terminal: Parkard Connectors
Function: Normally Open
Position: Normally Open
Actuation: 250 psi
Deactuation: 375 psi
Cut In: 355-395
Cut Out: 200-300



<b>Part No: 1000948098</b>
Fitting Size: 1/4" Female Flare
No./Type of Terminal: 1-way Male & Female Parkard Connectors
Function: Normally Closed
Position: Normally Closed
Actuation: 250 psi
Deactuation: 350 psi
Lead Length: 2"
Cut In: 250
Cut Out: 350


## Pressure Switches

2

SWITCHES



**Part No: 1000948101**




No./Type of Terminal: 1/4" Female Flare
Function: Normally Open
Lead Length: 3"
Cut In: 42
Cut Out: 10

**Part No: 1000948102**



Fitting Size: M10 x 1.25-6H
No./Type of Terminal: 1-way Male & Female Parkard Connectors
Function: Normally Closed
Lead Length: 3"
Cut In: 250
Cut Out: 350

**Part No: B404121**



Fitting Size: 1/4" Female Flare
No./Type of Terminal: Parkard, Female Spade
Function: Normally Open
Position: Normally Open
Actuation: 375 psi
Deactuation: 250 psi
Lead Length: 5 1/2"
Cut In: 375
Cut Out: 250

**Part No: B404122**




Fitting Size: 1/4" Female Flare
No./Type of Terminal: Parkard Connectors
Function: Normally Open
Position: Normally Open
Actuation: 300 ± psi
Deactuation: 210 ± psi
Lead Length: 5 1/2"
Cut In: 300
Cut Out: 210

**Part No: B404276**




Fitting Size: M10 x 1.25-6H
Function: Normally Open
Position: Open
Actuation: 260 psi
Deactuation: 180 psi
Lead Length: 6"
Cut In: 260
Cut Out: 180

**Part No: B404277**




Fitting Size: M10 x 1.25-6H
No./Type of Terminal: 1-way Male & Female Parkard Connectors
Function: Normally Closed
Position: Closed
Actuation: 200 psi
Deactuation: 300 psi
Lead Length: 2"
Cut In: 200
Cut Out: 300

**Part No: B404278**




Fitting Size: M10 x 1.25-6H
No./Type of Terminal: Bare Leads
Function: Normally Closed
Position: Closed
Actuation: 300 psi
Deactuation: 200 psi
Lead Length: 3"
Cut In: 200
Cut Out: 300

**Part No: B404283**



Fitting Size: M10 x 1.25-6H
No./Type of Terminal: Bare Leads
Function: Normally Open
Position: Open
Actuation: 260 psi
Deactuation: 210 psi
Lead Length: 6"
Cut In: 260
Cut Out: 210

**Part No: B404284**



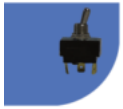
Fitting Size: M10 x 1.25-6H
No./Type of Terminal: Bare Leads
Function: Normally Closed
Position: Closed
Actuation: 210 psi
Deactuation: 260 psi
Lead Length: 6"
Cut In: 210
Cut Out: 260




2

**Pressure Switches**

SWITCHES




**Part No: B404285**



Fitting Size: M10 x 1.25-6H
No./Type of Terminal: Parkard Connectors
Function: Normally Closed
Position: Closed
Actuation: 300 psi
Deactuation: 200 psi
Lead Length: 3"
Cut In: 200
Cut Out: 300

**High Pressure Cutout Switches**

**Part No: 650419**



Fitting Size: M10 x 1.25 Female Shrader
No./Type of Terminal: Metripack Connector
Function: Normally Closed
Position: Closed
Actuation: 300 psi
Deactuation: 260 psi
Lead Length: 10", TO END OF CONNECTOR
Cut In: Set: 300
Cut Out: Reset: 260



**Pressure Switches**

2


**Low Pressure Switches**

**Part No: 650593**



Fitting Size: 1/4" Female Flare
No./Type of Terminal: Parkard Connectors
Function: Normally Closed
Position: Normally Closed
Actuation: 300 psi
Deactuation: 210 psi
Lead Length: 6"
Cut In: 300
Cut Out: 210

**Part No: 650629**



Fitting Size: 1/4" Female Flare
No./Type of Terminal: Male Bullet, Female Receptacle
Function: Normally Open
Position: Normally Open
Actuation: 35 psi
Deactuation: 15 psi
Lead Length: 3"
Cut In: Open 11
Cut Out: Close 39

**Part No: 650713**



Fitting Size: M12 x 1.5 w/ Schrader Depressed
No./Type of Terminal: Parkard Connectors
Function: Normally Open
Actuation: 30 psi
Deactuation: 10 psi
Lead Length: 1 7/8"
Cut In: 30
Cut Out: 10

**Part No: 1000246481**



Fitting Size: M10 x 1.25
No./Type of Terminal: Parkard Connectors
Function: Normally Open
Actuation: 23 psi
Deactuation: 6 psi
Lead Length: 1 9/16"
Temperature Range: -40°F - 257°F (-40°C -125°C)

**Part No: 1000250287**



Fitting Size: M12 x 1.5-6H
No./Type of Terminal: Parkard Connectors
Function: Normally Open
Actuation: 32 psi
Deactuation: 3 psi
Cut In: 22-32
Cut Out: 42438

**Part No: 1000250290**



Fitting Size: M12 x 1.5-6H
No./Type of Terminal: Parkard Connectors
Function: Normally Open
Actuation: 34 psi
Deactuation: 18 psi
Cut In: 26-34
Cut Out: 10-18

SWITCHES



## 2

## Pressure Switches

SWITCHES

**Part No: 1000335581**

Fitting Size: M10 x 1.25-6H
No./Type of Terminal: Parkard Connectors
Function: Normally Closed
Actuation: 320 psi
Deactuation: 250 psi
Cut In: 250-210
Cut Out: 320-280

**Part No: 1001513275**

Length: 2 3/64" (52mm)
Fitting Size: M12 x 1.5
Function: Normally Open
Position: Open
Actuation: 44 psi
Deactuation: 21psi

**Part No: 1002044722**

Fitting Size: M12 x 1.5 Female O-Ring Fitting
Function: Normally Closed
Lead Length: 4 23/64"
Cut In: Actuation: 30
Cut Out: Release: 5

**Part No: B404093**

Fitting Size: 1/4" (7/16"-20) Female SAE Flare
No./Type of Terminal: 1/4" Male & Female Blades
Position: Open
Actuation: 34 psi
Deactuation: 25 psi
Lead Length: 3"

**Part No: B404097**

Fitting Size: 3/8"-24 UNF. 2A Thread
No./Type of Terminal: Male 1/4" Spade
Function: Normally Open
Position: Normally Open
Deactuation: 27 psi (R-134a)
Cut In: 3
Cut Out: 28.6

**Part No: B404123**

Fitting Size: 1/4" Female Flare
No./Type of Terminal: Packard Connectors
Position: Normally Closed
Actuation: 30 psi
Deactuation: 7 psi max.
Lead Length: 5 1/2"

**Part No: B404144**

Fitting Size: 1/4" Female Flare
No./Type of Terminal: Bare Leads
Function: Normally Open
Position: Normally Open
Actuation: 34 psi
Deactuation: On Pressure Drop 10 psi
Lead Length: 3"
Cut In: 34
Cut Out: 6

**Part No: B404220**

Fitting Size: 1/4" Female Flare
No./Type of Terminal: #8-32 UNF-2B Screw
Function: Normally Open
Position: Open
Actuation: 34 psi
Deactuation: 6 psi
Cut In: 34
Cut Out: 6

**Part No: B404279**

Fitting Size: M10 x 1.25-6H
No./Type of Terminal: 1-way Male & Female Parkard Connectors
Function: Normally Open
Position: Open
Actuation: 34 psi
Deactuation: 6 psi
Lead Length: 2"
Cut In: 34
Cut Out: 6

## Pressure Switches

2

### Low Pressure Cutout Switches

**Part No: 650418**



Fitting Size: M12 x 1.25 Female Shrader
No./Type of Terminal: Metripack Connector
Function: Normally Closed
Position: Normally Closed
Lead Length: 10", TO END OF CONNECTOR
Cut In: Set: 34
Cut Out: Reset: 10

**Part No: 650479**



Fitting Size: M12 x 1.5 Female Shrader
No./Type of Terminal: Metripack Connector
Function: Normally Closed
Position: Closed
Actuation: 34 psi
Deactuation: 10 psi
Lead Length: 10", TO END OF CONNECTOR
Cut In: Set: 34
Cut Out: Reset: 10

### Miscellaneous Pressure Switches

**Part No: 651021**



Function: Normally Open
Position: Normally Open
Actuation: 65 psi
Deactuation: 75 psi
Cut In: 65
Cut Out: 75

SWITCHES



2

**Thermostatic Switches  
Cycling Pressure Switches**

SWITCHES



Fitting Size: M12
No./Type of Terminal: 2
Position: Closed
Actuation: 44 psi
Deactuation: 21 psi



Fitting Size: M10 x 1.25-6H
No./Type of Terminal: Parkard Connectors
Function: Normally Closed
Position: Closed
Actuation: 300 psi
Deactuation: 250 psi
Lead Length: 5"
Cut In: 300
Cut Out: 250

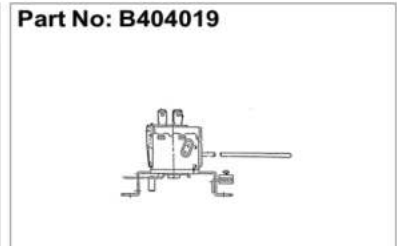
**Cable-Controlled Thermostats**



Capillary Length: 31 1/2"
Switch Type: Variable
Temperature Range: 31°F - 40°F (-1°C - 4°C)
Clutch Cycle Range: 9°F (-13°C)



Capillary Length: 42"
Switch Type: Variable
Temperature Range: 30°F - 40°F (-1°C - 4°C)
Clutch Cycle Range: 10°F (-12°C)



Capillary Length: 18"
Switch Type: Variable
Temperature Range: 28°F - 40°F (-2°C - 4°C)
Clutch Cycle Range: 5°F (-15°C)








# Thermostatic Switches

2

SWITCHES



## Preset Thermostats

<p><b>Part No: 525335</b></p> 	<p><b>Part No: 589490</b></p> 	<p><b>Part No: 650163</b></p> 
<p>Capillary Length: 31 31/64"</p> <p>Switch Type: Fixed</p> <p>Temperature Range: 31°F - 39.5°F (-1°C - 4°C)</p> <p>Clutch Cycle Range: 8.5°F (-13°C)</p>	<p>Capillary Length: 21"</p> <p>Switch Type: Fixed</p> <p>Temperature Range: 31°F - 39.5°F (-1°C - 4°C)</p> <p>Clutch Cycle Range: 8.5°F (-13°C)</p>	<p>Capillary Length: 12 1/2"</p> <p>Switch Type: Fixed</p> <p>Temperature Range: 31.1°F - 39.6°F (-1°C - 4°C)</p> <p>Clutch Cycle Range: 8°F (-13°C)</p>
<p><b>Part No: 650195</b></p> 	<p><b>Part No: 650476</b></p> 	<p><b>Part No: 650511</b></p> 
<p>Capillary Length: 24"</p> <p>Switch Type: Fixed</p> <p>Temperature Range: 34°F - 44°F (1°C - 7°C)</p> <p>Clutch Cycle Range: 10°F (-12°C)</p>	<p>Capillary Length: 24 1/2"</p> <p>Switch Type: Fixed</p> <p>Temperature Range: 31°F - 39°F (-1°C - 4°C)</p> <p>Clutch Cycle Range: 8°F (-13°C)</p>	<p>Capillary Length: 16 1/2"</p> <p>Switch Type: Fixed</p> <p>Temperature Range: 28°F - 35°F (-2°C - 2°C)</p> <p>Clutch Cycle Range: 7°F (-14°C)</p>
<p><b>Part No: 650649</b></p> 	<p><b>Part No: 650878</b></p> 	<p><b>Part No: 651264</b></p> 
<p>Capillary Length: 48"</p> <p>Switch Type: Variable</p> <p>Temperature Range: 34°F - 52°F (1°C - 11°C)</p> <p>Clutch Cycle Range: 5° F (-15°C)</p>	<p>Capillary Length: 24"</p> <p>Switch Type: Fixed</p> <p>Temperature Range: 31°F - 39°F (-1°C - 4°C)</p> <p>Clutch Cycle Range: 8°F (-13°C)</p>	<p>Capillary Length: 12 1/2"</p> <p>Temperature Range: 31.1°F - 39.6°F (-1°C - 4°C)</p> <p>Clutch Cycle Range: 8.5°F (-13°C)</p>



2

**Thermostatic Switches**

SWITCHES



**Part No: 1000021516**



Capillary Length: 24"
Switch Type: Fixed
Temperature Range: 30°F - 36°F (-1°C - 2°C)
Clutch Cycle Range: 6°F (-14°C)

**Part No: 1001884257**




Capillary Length: 15"
Switch Type: Fixed
Temperature Range: 31°F - 39.5°F (-1°C - 4°C)
Clutch Cycle Range: 8.5°F (-13°C)

**Part No: B404145**



Capillary Length: 15"
Switch Type: Fixed
Temperature Range: 31°F - 39.5°F (-1°C - 4°C)
Clutch Cycle Range: 8.5°F (-13°C)

**Part No: B404308**



Capillary Length: 9 1/2"
Switch Type: Fixed
Temperature Range: 31°F - 39.5°F (-1°C - 4°C)
Clutch Cycle Range: 8.5°F (-13°C)

**Rotary & Variable Thermostats**

**Part No: B404028**



Capillary Length: 36"
Switch Type: Variable
Temperature Range: 33°F - 45°F (1°C - 7°C)
Clutch Cycle Range: 12°F (-11°C)

**Part No: B404075**



Capillary Length: 18"
Switch Type: Variable
Temperature Range: 28°F - 40°F (-2°C - 4°C)
Clutch Cycle Range: 12°F (-11°C)

**Part No: B404089**



Capillary Length: 48"
Switch Type: Variable
Temperature Range: 30°F - 36°F (-1°C - 2°C)
Clutch Cycle Range: 6°F (-14°C)

## Miscellaneous Switches

2

### Adjustable Thermostats

**Part No: E650012-900**



Length: 1 5/8" (4mm)  
 Height: 2 7/16" (62mm)  
 Cable Length: 36 1/32" (915mm)

### Electronic Thermostats

**Part No: 1000541645**



General Specifications: Electronic Thermostat Assembly

SWITCHES



### Miscellaneous Switches

**Part No: 651184**



**Part No: 651187**



Fitting Size: M10 x 1.25-6H Female  
 General Specifications: Output Load: 56k OHM Pull Down and Power Supply: 4.5/5.5 VDC  
 Temperature Range: 32°F - 275°F (0°C - 135°C)

**Part No: 1000014287**



Additional Specification: Evaporator Sensor, Low Temperature

**Part No: 1000247779**



Additional Specification: NITE Phoenix Prefix SRT, BWF, BYC, CAI, CCA, CDJ, CIA, CNA

**Part No: 1000309203**



Additional Specification: NITE Phoenix Prefix SRT, BWF, BYC, CAI, CCA, CDJ, CIA, CNA

**Part No: B222987**



General Specifications: Mode Switch Assembly  
 Temperature Range: 29°F - 149°F (-2°C - 65°C)  
 Additional Specification: NITE Day Cab Prefix BRG, BRH



800.499.6849 • shop.bergstrominc.com

2

**Circuit Breakers**  
**Fan Switches**

SWITCHES



**Part No: 1001269123**

Pole/Throw Type: SPTT  
Function: Low-Med-High

**Switch Kits**

**Part No: B416617**

General Specifications: KH-200 Heater Control Switch Kit  
Additional Specification: The kit is needed with the KH-200 Heater System

**Part No: B417084**

General Specifications: KH-500 Heater Round Switch Kit  
Additional Specification: The kit is needed with the KH-500 Heater System

**Part No: B417167**

General Specifications: 12 volt installation wire kit

**Circuit Breakers**

**Part No: 651181**

Amps: 20 amp

**Part No: 651980**

Amps: 30 amp

**Part No: 1001287300**

Amps: 40 amp



## Linear Power Modules

2

SWITCHES



**Part No: B221841**



Voltage: Rated maximum voltage 30V D.C.  
 General Specifications: Push to Reset  
 Amps: 10 amp

**Part No: B222647**



Amps: 20 amp

## Linear Power Modules

**Part No: 652584**



Length: 3" (76.2mm)  
 Switch: 2"

**Part No: 1000235954**



Additional Specification: NITE Phoenix Prefix SRT, BWF, BYC, CAI, CCA, CDJ, CIA, CNA

**Part No: 1000555432**



Voltage: 12V

**Part No: 1000624505**



Voltage: 12V  
 Amps: 28 amp Max.

**Part No: 1001401792**



Voltage: 12V  
 Connector: 4-Pin Wire Harness, 2-Pin Motor  
 Amps: 35 amps  
 Temperature Range: -40°F - 185°F (-40°C - 85°C)

**Part No: 1001551461**



Connector: Yazaki



2

**Relays**  
**Relays**

SWITCHES




**Part No: 650731**




Voltage: 12V
General Specifications: No Bracket
Amps: 40 amp
Pole/Throw Type: SPDT
No./Type of Terminal: 5

**Part No: 651011**




Voltage: 12V
Amps: 30 amp
Pole/Throw Type: SPDT
No./Type of Terminal: 5

**Part No: 651069**



Voltage: 12V
General Specifications: No Bracket
Amps: 30 amp / 40 amp
Pole/Throw Type: SPDT
No./Type of Terminal: 5

**Part No: 651459**



Voltage: 12V
General Specifications: No Bracket
Amps: 30 amp / 40 amp
Pole/Throw Type: SPDT
No./Type of Terminal: 5

**Part No: 651150**



Voltage: 12V
General Specifications: Bracket/Dual Contacts & Diode
Amps: 30 amp
Pole/Throw Type: SPST
NO/NC: NO
No./Type of Terminal: 5

**Part No: 652420**




Voltage: 12V
General Specifications: Bracket
Amps: 30 amp NO / 20 amp NC
Pole/Throw Type: SPDT
No./Type of Terminal: 5

**Part No: 652541**



Voltage: 12V
General Specifications: Micro
Pole/Throw Type: SPDT
No./Type of Terminal: 5
Amp Draw: 35 amp NO / 20 amp NC

**Part No: 1000611575**



Voltage: 12V
General Specifications: Relay with Resistor
No./Type of Terminal: 4
Amp Draw: 100 amp

**Part No: 1000925735**



Voltage: 12V
Amps: 10 amp / 20 amp
Pole/Throw Type: SPDT
NO/NC: 35A NO / 20A NC
No./Type of Terminal: 5

**Resistors**

**2**

SWITCHES



**Part No: 1001287118**



Voltage: 12V
General Specifications: Bracket
Amps: 40 amp
Pole/Throw Type: SPDT
No./Type of Terminal: 5

**Part No: B222166**



Voltage: 24V
General Specifications: Bracket/Resistor
Amps: 10 amp / 20 amp
Pole/Throw Type: SPDT
No./Type of Terminal: 5

**Part No: B222973**



Voltage: 12V
General Specifications: Bracket/Resistor
Amps: 70 amp
Pole/Throw Type: SPST
NO/NC: NO
No./Type of Terminal: 4

**Resistors**

**Part No: 650153**



Speed: 3
Voltage: 24V
No./Type of Terminal: 3

**Part No: 650177**



Speed: 4
Voltage: 12V
No./Type of Terminal: 4

**Part No: 650179**



Speed: 3
Voltage: 12V
No./Type of Terminal: 3

**Part No: 650441**



Speed: 3
Voltage: 12V
No./Type of Terminal: 3

**Part No: 650475**



Speed: 4
Voltage: 12V
No./Type of Terminal: 5

**Part No: 650477**



Speed: 3
Voltage: 12V
No./Type of Terminal: 3



2

Resistors

SWITCHES




**Part No: 650668**



Voltage: 12V  
No./Type of Terminal: 4

**Part No: 650790**



Speed: 3  
Voltage: 12V  
No./Type of Terminal: 3

**Part No: 650823**



Speed: 4  
Voltage: 12V  
No./Type of Terminal: 4

**Part No: 651013**



Speed: 3

**Part No: 651186**



Voltage: 12V  
No./Type of Terminal: 5

**Part No: 651203**



No./Type of Terminal: 3

**Part No: 1000067312**



Additional Specification: Used on the Kelvin and Pascal

**Part No: 1000206429**



Voltage: 12V  
No./Type of Terminal: 4

**Part No: 1000264808**



Voltage: 12V  
No./Type of Terminal: 3

**Part No: 1000283836**



Voltage: 12V  
No./Type of Terminal: 4

**Part No: 1000283926**



Speed: 3  
Voltage: 12V  
No./Type of Terminal: 3

**Part No: 1000303265**



Speed: 3  
Voltage: 12V  
No./Type of Terminal: 3

## Resistors

2

SWITCHES



**Part No: 1000303268**



Speed: 3  
Voltage: 12V  
No./Type of Terminal: 3

**Part No: 1000303295**



Speed: 3  
Voltage: 24V  
No./Type of Terminal: 3

**Part No: 1000303297**



Speed: 3  
Voltage: 24V  
No./Type of Terminal: 3

**Part No: 1001272236**



**Part No: 1001520651**



Voltage: 12V  
No./Type of Terminal: 4

**Part No: 1002505417**




Speed: 4  
No./Type of Terminal: 5

**Part No: B220990**



Speed: 3  
Voltage: 12V  
No./Type of Terminal: 3

**Part No: B221670**



Speed: 3  
Voltage: 24V  
No./Type of Terminal: 3

**Part No: B223084**

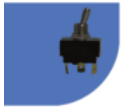


Speed: 3  
Voltage: 12V  
No./Type of Terminal: 3

2

**Sensors**  
**Sensors**

SWITCHES



**Part No: 1000039701**



Voltage: 12V

General Specifications: Temp Probe Switch, Freightliner OEM BOA91619

No./Type of Terminal: 2

**Part No: 100039702**



Voltage: 12V

General Specifications: Evap Temp Probe, Freightliner OEM VCCT8300036

No./Type of Terminal: 2 Pin

**Part No: 1000134018**



General Specifications: Temperature Sensor

**Part No: 1000234569**



Additional Specification: NITE Phoenix Prefix SRT, BWF, BYC, CAI, CCA, CDJ, CIA, CNA

**Part No: 1000477653**





Air Conditioning & Heating  
Replacement Parts

# Fittings

2

FITTINGS

<b>Aeroquip E-Z Clip Fittings &amp; Hoses</b>	<b>296</b>
Accessories	296
Hoses	297
Lifesaver Braze Nipple Fitting	298
Bulkhead Fitting	298
Female O-Ring Fittings	299
Male O-Ring Fittings	302
Male Splicer Fittings	304
Female O-Ring Fittings	306
<b>AIR-O-CRIMP Fittings</b>	<b>306</b>
Male O-Ring Fittings	308
Splicer Fittings	310
Weld-On Fittings	311
AIR-O-CRIMP Assembly	312
<b>ATCO Beadlock Fittings</b>	<b>313</b>
Accessories	313
Goodyear (Galaxy) Hoses	313
Compression Fittings - Standard Barrier	315
Female Flare Fittings - Standard Barrier	315
Female O-Ring Fittings - Reduced Barrier	318
Male Insert O-Ring Fittings - Standard Barrier	319
Male O-Ring Fittings - Standard Barrier	320
Male O-Ring Fittings - Reduced Barrier	321
Splicer Fittings - Standard Barrier	322
Splicer Fittings - Reduced Barrier	322
Weld-On Fittings - Standard Barrier	323
Weld-On Fittings - Reduced Barrier	323
<b>Beadlock Fitting Identification</b>	<b>325</b>
Male O-Ring	326
Female O-Ring	326
Male Insert O-Ring	326
O-Rings	326
Female Flare	327
Male Flare	327

Hose End Sizes	327
Torque Recommendations	327
Refrigerant Hose Sizes	328
Beadlock	328
Torque Recommendations	328

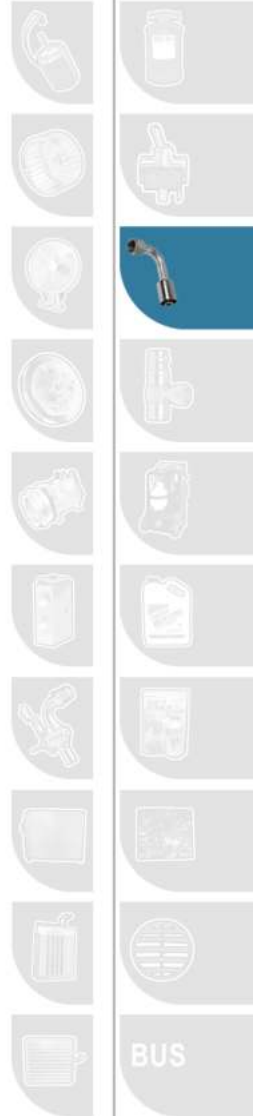
<b>Burgaflex Fittings</b>	<b>329</b>
Goodyear (Galaxy) Hoses	329
Burgaflex Fittings - Standard Barrier	330
Burgaflex Fittings - Reduced Barrier	331
Burgaflex Crimp Fittings - Reduced Barrier	332
Burgaflex Accessories	333
Ferrule Fittings	334

<b>O-Rings</b>	<b>334</b>
O-Rings Specifications*	335
O-Ring Assortment Kits	336
O-Ring Rubber Material Data	339

<b>Bulkhead Adapters, Tubing &amp; Drain Hoses</b>	<b>340</b>
Bulkhead Adapters	340
Drain Hose & Accessories	340
Insulation Tubing	341
Tube & Fitting Assembly	342

<b>Ducting, Clamps &amp; Hoses</b>	<b>343</b>
Flexible Ducting	343
Hose Clamps	343
Hoses	344
Hose and Installation Kits	345

<b>Accessories</b>	<b>345</b>
Wire Clips & Ties	345



Call: 800.499.6849 for Technical Assistance

295

Availability of the products shown in this reference guide is subject to change without notice by Bergstrom, Inc.  
For the most current product information please visit the Bergstrom Distributor website at <https://shop.bergstrominc.com/>.

2

## Aeroquip E-Z Clip Fittings & Hoses Accessories

FITTINGS



**Cage to Hose Attachment**  
(quantity of 10)



Hose Size: No. 6	<b>530380</b>
Hose Size: No. 8	<b>530381</b>

**Cage to Hose Attachment**  
(quantity of 10)



Hose Size: No. 10	<b>530382</b>
Hose Size: No. 12	<b>530383</b>

**Hose Clip**  
(quantity of 10)



Hose Size: No. 6	<b>530384</b>
Hose Size: No. 8	<b>530385</b>

**Hose Clip** (quantity of 10)



Hose Size: No. 10	<b>530386</b>
Hose Size: No. 12	<b>530387</b>

**Part No: 530388**



General Specification: Connection Tool Pliers

**O-Ring Fittings** (quantity of 5)



Hose Size: No. 6	<b>1001562220</b>
Hose Size: No. 8	<b>1001562233</b>

**O-Ring Fittings** (quantity of 5)



Hose Size: No. 10	<b>1001562240</b>
Hose Size: No. 12	<b>1001562246</b>
Hose Size: No. 16	<b>1001562250</b>



## Aeroquip E-Z Clip Fittings & Hoses

2

### Hoses

#### Multi-Refrigerant Hose (must order in 50-foot increments)



Hose Size: No. 6	Hose Inner Diameter: 5/16" (7.9mm)	Hose Outer Diameter: 37/64" (14.7mm)	<b>1002080211</b>
Hose Size: No. 8	Hose Inner Diameter: 13/32" (10.3mm)	Hose Outer Diameter: 23/32" (17.8mm)	<b>1002080684</b>

#### Multi-Refrigerant Hose (must order in 50-foot increments)



Hose Size: No. 10	Hose Inner Diameter: 1/2" (12.7mm)	Hose Outer Diameter: 25/32" (19.8mm)	<b>1002080687</b>
Hose Size: No. 12	Hose Inner Diameter: 5/8" (15.9mm)	Hose Outer Diameter: 1" (24.9mm)	<b>1002080699</b>
Hose Size: No. 16	Hose Inner Diameter: 7/8" (22.4mm)	Hose Outer Diameter: 1 7/32" (31.2mm)	<b>1001564223</b>

#### Multi-Refrigerant Hose (must order in bulk)



Hose Size: No. 6	Hose Inner Diameter: 5/16" (7.9mm)	Hose Outer Diameter: 19/32" (14.7mm)	<b>1002287239</b> (560-feet)
---------------------	--	--	---------------------------------

#### Multi-Refrigerant Hose (must order in bulk)



Hose Size: No. 8	Hose Inner Diameter: 13/32" (10.3mm)	Hose Outer Diameter: 23/32" (17.8mm)	<b>1002287262</b> (575-feet)
Hose Size: No. 10	Hose Inner Diameter: 1/2" (12.7mm)	Hose Outer Diameter: 25/32" (19.8mm)	<b>1002290824</b> (550-feet)
Hose Size: No. 12	Hose Inner Diameter: 5/8" (15.9mm)	Hose Outer Diameter: 1" (24.9mm)	<b>1002292110</b> (367-feet)

All hoses have the following bend radius:

Hose Size: No. 6	Minimum Bend Radius: 2" (50mm)
Hose Size: No. 8	Minimum Bend Radius: 2 1/2" (63mm)
Hose Size: No. 10	Minimum Bend Radius: 3" (76.2mm)
Hose Size: No. 12	Minimum Bend Radius: 4" (101.6mm)
Hose Size: No. 16	Minimum Bend Radius: 7" (177.8mm)

FITTINGS



800.499.6849 • [shop.bergstrominc.com](http://shop.bergstrominc.com)

2

## Aeroquip E-Z Clip Fittings & Hoses

### Lifesaver Braze Nipple Fitting

#### Lifesaver Braze Nipple Fitting



Hose Size: No. 6-No. 6	Length: 2" (51.1mm)	<b>551167</b>
Hose Size: No. 8-No. 8	Length: 2 1/64" (51.3mm)	<b>551168</b>
Hose Size: No. 10-No. 10	Length: 2 1/32" (51.6mm)	<b>551171</b>
Hose Size: No. 12-No. 12	Length: 2 7/64" (53.6mm)	<b>551172</b>
Hose Size: No. 16-No. 16	Length: 2 13/64" (56.1mm)	<b>1001562293</b>

FITTINGS



### Bulkhead Fitting

#### Straight Bulkhead Fitting



Fitting Size: No. 10-No. 10	Fitting Thread Size: 7/8"-14	Length: 4 31/64" (114mm)	<b>551201</b>
-----------------------------	------------------------------	-----------------------------	---------------

#### Male 90 Degree Bulkhead Fitting



Fitting Size: No. 8-No. 8	Fitting Thread Size: 3/4"-16	<b>551213</b>
Fitting Size: No. 10-No. 10	Fitting Thread Size: 7/8"-14	<b>551267</b>

All Aeroquip E-Z Clip refrigerant fitting kits contain the fitting and all necessary cage, clips and o-rings.

## Aeroquip E-Z Clip Fittings & Hoses

2

### Female O-Ring Fittings

**Straight Female O-Ring Short Pilot**



Fitting Size: No. 6-No. 6	Fitting Thread Size: 5/8"-18	Length: 3 9/64" (79.8mm)	<b>550663</b>
Fitting Size: No. 8-No. 8	Fitting Thread Size: 3/4"-16	Length: 3 9/16" (90.4mm)	<b>550665</b>
Fitting Size: No. 10-No. 10	Fitting Thread Size: 7/8"-14	Length: 3 5/8" (92.2mm)	<b>550667</b>
Fitting Size: No. 12-No. 12	Fitting Thread Size: 1 1/16"-14	Length: 4 1/4" (108mm)	<b>550669</b>

**Straight Female O-Ring Short Pilot (Step Up)**



Fitting Size: No. 6-No. 8	Fitting Thread Size: 5/8"-18	Length: 3 9/64" (79.8mm)	<b>550664</b>
Fitting Size: No. 8-No. 10	Fitting Thread Size: 3/4"-16	Length: 3 9/16" (90.4mm)	<b>550666</b>
Fitting Size: No. 10-No. 12	Fitting Thread Size: 7/8"-14	Length: 3 21/32" (93mm)	<b>550668</b>

**Straight Female O-Ring (Short Pilot) with High Side Charge Port Fitting**



Fitting Size: No. 8-No. 8	Fitting Thread Size: 3/4"-16	Length: 4 3/32" (103.9mm)	<b>550672</b>
---------------------------	------------------------------	---------------------------	---------------

**Straight Female O-Ring (Short Pilot) with High Side Charge Port Fitting (Step Down)**



Fitting Size: No. 8-No. 6	Fitting Thread Size: 3/4"-16	Length: 4 1/16" (103.1mm)	<b>551272</b>
---------------------------	------------------------------	---------------------------	---------------

**Straight Female O-Ring (Short Pilot) with R-134a Low Side Charge Port Fitting**



Fitting Size: No. 10-No. 10	Fitting Thread Size: 7/8"-14	<b>550673</b>
Fitting Size: No. 12-No. 12	Fitting Thread Size: 1 1/16"-14	<b>550675</b>

**Straight Female O-Ring (Short Pilot) with R-134a Low Side Charge Port Fitting (Step Up)**



Fitting Size: No. 10-No. 12	Fitting Thread Size: 7/8"-14	<b>550674</b>
-----------------------------	------------------------------	---------------

FITTINGS



All Aeroquip E-Z Clip refrigerant fitting kits contain the fitting and all necessary cage, clips and o-rings.



800.499.6849 • [shop.bergstrominc.com](http://shop.bergstrominc.com)

2

## Aeroquip E-Z Clip Fittings & Hoses

### Female O-Ring Pilot Fittings (cont'd)

FITTINGS



**Straight Female O-Ring (Long Pilot) with Switch Port Fitting**



Fitting Size: No. 8-No. 8	Fitting Thread Size: 3/4"-16	Length: 4 3/32" (103.9mm)	<b>550699</b>
Fitting Size: No. 10-No. 10	Fitting Thread Size: 7/8"-14	Length: 4 15/64" (107.7mm)	<b>550701</b>

**Straight Female O-Ring (Long Pilot) with Switch Port Fitting (Step Up)**



Fitting Size: No. 10-No. 12	Fitting Thread Size: 7/8"-14	Length: 4 17/64" (108.5mm)	<b>550702</b>
--------------------------------	---------------------------------	----------------------------------	---------------

**Female 45 Degree Elbow O-Ring (Short Pilot) Fitting**



Fitting Size: No. 6-No. 6	Fitting Thread Size: 5/8"-18	<b>550676</b>
Fitting Size: No. 8-No. 8	Fitting Thread Size: 3/4"-16	<b>550678</b>
Fitting Size: No. 10-No. 10	Fitting Thread Size: 7/8"-14	<b>550681</b>
Fitting Size: No. 12-No. 12	Fitting Thread Size: 1 1/16"-14	<b>550683</b>

**Female 45 Degree Elbow O-Ring (Short Pilot) Fitting (Step Up)**



Fitting Size: No. 6-No. 8	Fitting Thread Size: 5/8"-18	<b>550677</b>
Fitting Size: No. 8-No. 10	Fitting Thread Size: 3/4"-16	<b>550679</b>
Fitting Size: No. 10-No. 12	Fitting Thread Size: 7/8"-14	<b>550682</b>

**Female 90 Degree Elbow O-Ring (Short Pilot) Fitting**



Fitting Size: No. 6-No. 6	Fitting Thread Size: 5/8"-18	<b>550684</b>
Fitting Size: No. 10-No. 10	Fitting Thread Size: 7/8"-14	<b>550688</b>
Fitting Size: No. 12-No. 12	Fitting Thread Size: 1 1/16"-14	<b>550691</b>

**Female 90 Degree Elbow O-Ring (Short Pilot) Fitting (Step Up)**



Fitting Size: No. 6-No. 8	Fitting Thread Size: 5/8"-18	<b>550685</b>
Fitting Size: No. 8-No. 10	Fitting Thread Size: 3/4"-16	<b>550687</b>
Fitting Size: No. 10-No. 12	Fitting Thread Size: 7/8"-14	<b>550689</b>

All Aeroquip E-Z Clip refrigerant fitting kits contain the fitting and all necessary cage, clips and o-rings.

## Aeroquip E-Z Clip Fittings & Hoses

### Female O-Ring Pilot Fittings (cont'd)

**Female 90 Degree O-Ring (Short Pilot) with R-134a High Side Charge Port Fitting**



Fitting Size: No. 6-No. 6	Fitting Thread Size: 5/8"-18	R134a Port: High Side Charge	<b>550692</b>
Fitting Size: No. 8-No. 8	Fitting Thread Size: 3/4"-16	R134a Port: High Side Charge	<b>550693</b>

**Female 90 Degree O-Ring (Short Pilot) with R-134a High Side Charge Port Fitting (Step Up)**



Fitting Size: No. 8-No. 10	Fitting Thread Size: 3/4"-16	R134a Port: 13mm	<b>550694</b>
----------------------------	------------------------------	------------------	---------------

**Female 90 Degree Elbow O-Ring (Short Pilot) with R-134a Low Side Charge Port Fitting**



Fitting Size: No. 10-No. 10	Fitting Thread Size: 7/8"-14	<b>550695</b>
Fitting Size: No. 12-No. 12	Fitting Thread Size: 1 1/16"-14	<b>550697</b>

**Female 90 Degree Elbow O-Ring (Short Pilot) with R-134a Low Side Charge Port Fitting (Step Up)**



Fitting Size: No. 10-No. 12	Fitting Thread Size: 7/8"-14	<b>550696</b>
-----------------------------	------------------------------	---------------

**Female 90 Degree O-Ring (Long Pilot) with Switch Port (7/16"-20 Thread) Fitting**



Fitting Size: No. 6-No. 6	Fitting Thread Size: 5/8"-18	Port: 7/16"-20 Switch	<b>551259</b>
---------------------------	------------------------------	-----------------------	---------------

**Female 90 Degree O-Ring (Short Pilot) with R12 Port (7/16"-20 Thread) Fitting**



Fitting Size: No. 10-No. 10	Fitting Thread Size: 7/8"-14	<b>550703</b>
Fitting Size: No. 12-No. 12	Fitting Thread Size: 1 1/16"-14	<b>550704</b>

FITTINGS



All Aeroquip E-Z Clip refrigerant fitting kits contain the fitting and all necessary cage, clips and o-rings.



800.499.6849 • [shop.bergstrominc.com](http://shop.bergstrominc.com)

2

**Aeroquip E-Z Clip Fittings & Hoses**

**Male O-Ring Fittings**

FITTINGS



Fitting Size: No. 6-No. 6	Fitting Thread Size: 5/8"-18	Length: 3 13/32" (86.6mm)	<b>550769</b>
Fitting Size: No. 8-No. 8	Fitting Thread Size: 3/4"-18	Length: 4 3/8" (111mm)	<b>550772</b>
Fitting Size: No. 10-No. 10	Fitting Thread Size: 7/8"-18	Length: 3 21/32" (93mm)	<b>550773</b>
Fitting Size: No. 12-No. 12	Fitting Thread Size: 1 1/16"-16	Length: 3 11/16" (93.5mm)	<b>550775</b>



Fitting Size: No. 6-No. 8	Fitting Thread Size: 5/8"-18	Length: 3 7/16" (87.1mm)	<b>550771</b>
Fitting Size: No. 10-No. 12	Fitting Thread Size: 7/8"-18	Length: 3 11/16" (93.4mm)	<b>550774</b>



Fitting Size: No. 8-No. 8	Fitting Thread Size: 3/4"-16	Length: 4 43/64" (118.6mm)	<b>550786</b>
Fitting Size: No. 10-No. 10	Fitting Thread Size: 7/8"-14	Length: 5" (127mm)	<b>550787</b>



Fitting Size: No. 10-No. 10	Fitting Thread Size: 7/8"-14	Length: 5" (127mm)	<b>550788</b>
-----------------------------	------------------------------	--------------------	---------------



Fitting Size: No. 10-No. 12	Fitting Thread Size: 1 1/16"-16	Length: 5" (127mm)	<b>550789</b>
-----------------------------	---------------------------------	--------------------	---------------



Fitting Size: No. 6-No. 6	Fitting Thread Size: 5/8"-18	<b>550783</b>
Fitting Size: No. 10-No. 10	Fitting Thread Size: 7/8"-18	<b>550784</b>

All Aeroquip E-Z Clip refrigerant fitting kits contain the fitting and all necessary cage, clips and o-rings.

## Aeroquip E-Z Clip Fittings & Hoses

### Male O-Ring Fittings (cont'd)

**Male O-Ring (Short Pilot) 45 Degree Elbow Fitting (Step Up)**



Fitting Size: No. 6-No. 8	Fitting Thread Size: 5/8"-18	<b>551183</b>
---------------------------	------------------------------	---------------

**Male O-Ring (Short Pilot) 90 Degree Elbow Fitting**



Fitting Size: No. 6-No. 6	Fitting Thread Size: 5/8"-18	<b>550776</b>
Fitting Size: No. 8-No. 8	Fitting Thread Size: 3/4"-18	<b>550778</b>

**Male O-Ring (Short Pilot) 90 Degree Elbow No. 6 Fitting (Step Up)**



Fitting Size: No. 6-No. 8	Fitting Thread Size: 5/8"-18	<b>550777</b>
Fitting Size: No. 8-No. 10	Fitting Thread Size: 3/4"-18	<b>550779</b>
Fitting Size: No. 10-No. 12	Fitting Thread Size: 7/8"-14	<b>550781</b>

**Male O-Ring (Short Pilot) 90 Degree Elbow with R-134a High Side Charge Port Fitting**



Fitting Size: No. 6-No. 6	Fitting Thread Size: 5/8"-18	R134a Port: High Side Charge	<b>550791</b>
Fitting Size: No. 8-No. 8	Fitting Thread Size: 3/4"-16	R134a Port: High Side Charge	<b>550792</b>
Fitting Size: No. 10-No. 10	Fitting Thread Size: 7/8"-18	R134a Port: High Side Charge	<b>550793</b>

**Male O-Ring (Short Pilot) 90 Degree Elbow with R-134a Low Side Charge Port Fitting**



Fitting Size: No. 10-No. 10	Fitting Thread Size: 7/8"-18	R134a Port: Low Side Charge	<b>550736</b>
-----------------------------	------------------------------	-----------------------------	---------------

**Male O-Ring (Short Pilot) 90 Degree Elbow with R-134a Low Side Charge Port Fitting (Step Up)**



Fitting Size: No. 10-No. 12	Fitting Thread Size: 7/8"-18	R134a Port: Low Side Charge	<b>550737</b>
-----------------------------	------------------------------	-----------------------------	---------------

FITTINGS



All Aeroquip E-Z Clip refrigerant fitting kits contain the fitting and all necessary cage, clips and o-rings.



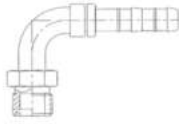
800.499.6849 • [shop.bergstrominc.com](http://shop.bergstrominc.com)

2

## Aeroquip E-Z Clip Fittings & Hoses

### Male O-Ring Fittings (cont'd)

#### Male Insert O-Ring 90 Degree Elbow Fitting



Fitting Size: No. 6-No. 6	Fitting Thread Size: 5/8"-18	<b>550715</b>
Fitting Size: No. 8-No. 8	Fitting Thread Size: 3/4"-16	<b>550716</b>
Fitting Size: No. 10-No. 10	Fitting Thread Size: 7/8"-14	<b>550717</b>

FITTINGS



### Male Splicer Fittings

#### Straight Splicer Fitting



Fitting Size: No. 6-No. 6	Length: 4 5/8" (117.6mm)	<b>550727</b>
Fitting Size: No. 8-No. 8	Length: 4 49/64" (120.1mm)	<b>550728</b>
Fitting Size: No. 10-No. 10	Length: 5 11/16" (144.3mm)	<b>550729</b>
Fitting Size: No. 12-No. 12	Length: 4 23/32" (119.9mm)	<b>550731</b>

#### Splicer with High Side R134-a Charge Port Fitting



Fitting Size: No. 6-No. 6	Length: 5 13/32" (137.4mm)	<b>550718</b>
Fitting Size: No. 8-No. 8	Length: 5 39/64" (142.5mm)	<b>550719</b>
Fitting Size: No. 10-No. 10	Length: 5 5/8" (142.7mm)	<b>550721</b>
Fitting Size: No. 10-No. 10	Length: 5 5/8" (142.7mm)	<b>550722</b>
Fitting Size: No. 12-No. 12	Length: 5 43/64" (144mm)	<b>550723</b>

#### Splicer with Switch Port Fitting



Fitting Size: No. 6-No. 6	Length: 5 13/32" (137.4mm)	<b>551178</b>
Fitting Size: No. 8-No. 8	Length: 5 39/64" (142.2mm)	<b>550724</b>
Fitting Size: No. 10-No. 10	Length: 5 39/64" (142.2mm)	<b>550725</b>
Fitting Size: No. 12-No. 12	Length: 5 39/64" (142.2mm)	<b>550726</b>

All Aeroquip E-Z Clip refrigerant fitting kits contain the fitting and all necessary cage, clips and o-rings.



## Aeroquip E-Z Clip Fittings & Hoses

### Male Splicer Fittings (cont'd)

**Splicer T 3 Hose Connector Fitting**



Fitting Size: No. 8-No. 8	Length: 5 31/64" (139.2mm)	<b>550738</b>
------------------------------	-------------------------------	---------------

**Splicer 90 Degree Fitting**



Fitting Size: No. 8-No. 8	<b>550733</b>
Fitting Size: No. 10-No. 10	<b>550734</b>

FITTINGS



All Aeroquip E-Z Clip refrigerant fitting kits contain the fitting and all necessary cage, clips and o-rings.

 **Bergstrom.** 800.499.6849 • [shop.bergstrominc.com](http://shop.bergstrominc.com)

2

**AIR-O-CRIMP Fittings**  
**Female O-Ring Fittings**

FITTINGS



**Straight Female O-Ring Fitting with Clamp**



Fitting Size: No. 6	Fitting Thread Size: 5/8"-18	Hose Size: No. 6	<b>1000021465</b>
Fitting Size: No. 8	Fitting Thread Size: 3/4"-16	Hose Size: No. 8	<b>1000021519</b>
Fitting Size: No. 10	Fitting Thread Size: 7/8"-14	Hose Size: No. 10	<b>1000021544</b>
Fitting Size: No. 12	Fitting Thread Size: 1 1/16"-14	Hose Size: No. 12	<b>1000021564</b>

**Straight Female O-Ring Fitting with Clamp (Step Up)**



Fitting Size: No. 6	Fitting Thread Size: 5/8"-18	Hose Size: No. 8	<b>1000021571</b>
Fitting Size: No. 10	Fitting Thread Size: 7/8"-14	Hose Size: No. 12	<b>1000021587</b>

**Straight Female O-Ring with 13mm Switch or Service Port Fitting with Clamp**



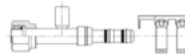
Fitting Size: No. 10	Fitting Thread Size: 7/8"-14	Hose Size: No. 10	<b>1000021649</b>
Fitting Size: No. 12	Fitting Thread Size: 1 1/16"-14	Hose Size: No. 12	<b>1000021684</b>

**Straight Female O-Ring with 13mm Switch or Service Port Fitting with Clamp (Step Up)**



Fitting Size: No. 10	Fitting Thread Size: 7/8"-14	Hose Size: No. 12	<b>1000021705</b>
----------------------	------------------------------	-------------------	-------------------

**Straight Female O-Ring with 16mm Switch or Service Port Fitting with Clamp**



Fitting Size: No. 8	Fitting Thread Size: 3/4"-16	Hose Size: No. 8	<b>1000021905</b>
---------------------	------------------------------	------------------	-------------------

**Straight Metric Female O-Ring M20 Fitting with Clamp**



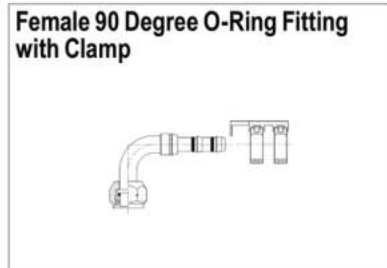
Fitting Size: M20	Fitting Thread Size: M20 x 1.5	Hose Size: No. 8	<b>1000021964</b>
-------------------	--------------------------------	------------------	-------------------

# AIR-O-CRIMP Fittings

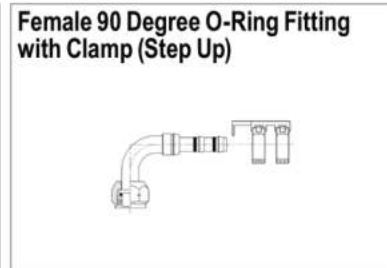
## Female O-Ring Fittings (cont'd)



Fitting Size: No. 6	Fitting Thread Size: 5/8"-18	Hose Size: No. 6	<b>1000022604</b>
Fitting Size: No. 8	Fitting Thread Size: 3/4"-16	Hose Size: No. 8	<b>1000022607</b>
Fitting Size: No. 10	Fitting Thread Size: 7/8"-14	Hose Size: No. 10	<b>1000022612</b>
Fitting Size: No. 12	Fitting Thread Size: 1 1/16"-14	Hose Size: No. 12	<b>1000022623</b>



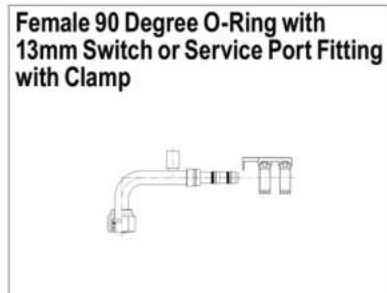
Fitting Size: No. 6	Fitting Thread Size: 5/8"-18	Hose Size: No. 6	<b>1000021997</b>
Fitting Size: No. 8	Fitting Thread Size: 3/4"-16	Hose Size: No. 8	<b>1000022005</b>
Fitting Size: No. 10	Fitting Thread Size: 7/8"-14	Hose Size: No. 10	<b>1000022068</b>
Fitting Size: No. 12	Fitting Thread Size: 1 1/16"-14	Hose Size: No. 12	<b>1000022073</b>



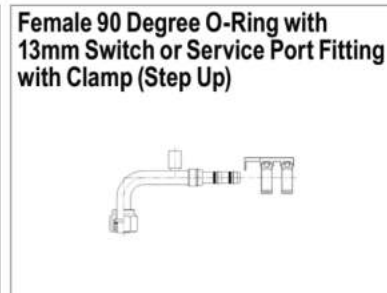
Fitting Size: No. 6	Fitting Thread Size: 5/8"-18	Hose Size: No. 8	<b>1000022089</b>
Fitting Size: No. 8	Fitting Thread Size: 3/4"-16	Hose Size: No. 10	<b>1000022105</b>



Fitting Size: No. 8	Fitting Thread Size: 3/4"-16	Hose Size: No. 8	<b>1000022164</b>
---------------------	------------------------------	------------------	-------------------



Fitting Size: No. 10	Fitting Thread Size: 7/8"-14	Hose Size: No. 10	<b>1000022514</b>
----------------------	------------------------------	-------------------	-------------------



Fitting Size: No. 10	Fitting Thread Size: 7/8"-14	Hose Size: No. 12	<b>1000022519</b>
----------------------	------------------------------	-------------------	-------------------

FITTINGS



800.499.6849 • shop.bergstrominc.com

2

**AIR-O-CRIMP Fittings**  
**Male O-Ring Fittings**

FITTINGS



<b>Straight Male Insert O-Ring Fitting with Clamp</b>				<b>Straight Male O-Ring Fitting with Clamp</b>				<b>Straight Male O-Ring Fitting with Clamp (Step Up)</b>			
Fitting Size: No. 6	Fitting Thread Size: 5/8"-18	Hose Size: No. 6	<b>1000022945</b>	Fitting Size: No. 6	Fitting Thread Size: 5/8"-18	Hose Size: No. 6	<b>1000022648</b>	Fitting Size: No. 6	Fitting Thread Size: 5/8"-18	Hose Size: No. 8	<b>1000022704</b>
Fitting Size: No. 8	Fitting Thread Size: 3/4"-16	Hose Size: No. 8	<b>1000022947</b>	Fitting Size: No. 8	Fitting Thread Size: 3/4"-16	Hose Size: No. 8	<b>1000022746</b>	Fitting Size: No. 10	Fitting Thread Size: 7/8"-14	Hose Size: No. 12	<b>1000022764</b>

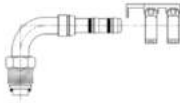
<b>Straight O-Ring Fitting with Clamp and Neoprene O-Ring</b>			<b>Straight O-Ring Fitting with Clamp and Neoprene O-Ring (Step Up)</b>			<b>Male 45 Degree O-Ring Fitting with Clamp</b>			
Fitting Size: No. 12	Hose Size: No. 12	<b>1001844355</b>	Fitting Size: No. 6	Hose Size: No. 8	<b>1001842799</b>	Fitting Size: No. 10	Fitting Thread Size: 7/8"-18	Hose Size: No. 10	<b>1000022873</b>

## AIR-O-CRIMP Fittings

2

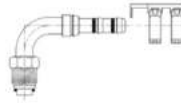
### Male O-Ring Fittings (cont'd)

#### Male 90 Degree O-Ring Fitting with Clamp



Fitting Size: No. 6	Fitting Thread Size: 5/8"-18	Hose Size: No. 6	<b>1000022805</b>
Fitting Size: No. 8	Fitting Thread Size: 3/4"-18	Hose Size: No. 8	<b>1000022809</b>
Fitting Size: No. 10	Fitting Thread Size: 7/8"-18	Hose Size: No. 10	<b>1000022813</b>
Fitting Size: No. 12	Fitting Thread Size: 1 1/16"-16	Hose Size: No. 12	<b>1000022824</b>

#### Male 90 Degree O-Ring Fitting with Clamp (Step Up)



Fitting Size: No. 6	Fitting Thread Size: 5/8"-18	Hose Size: No. 8	<b>1000022807</b>
Fitting Size: No. 10	Fitting Thread Size: 7/8"-18	Hose Size: No. 12	<b>1000022815</b>

#### Male 90 Degree O-Ring Fitting with Clamp and Neoprene O-Ring



Fitting Size: No. 12	Hose Size: No. 12	<b>1001851271</b>
----------------------	-------------------	-------------------

#### Male 90 Degree O-Ring Fitting with Clamp and Neoprene O-Ring (Step Up)



Fitting Size: No. 6	Hose Size: No. 8	<b>1001851262</b>
---------------------	------------------	-------------------

FITTINGS



2

**AIR-O-CRIMP Fittings**  
**Splicer Fittings**

FITTINGS



**Straight Splicer with Clamp Assembly Fitting**



Fitting Size: No. 6	Hose Size: No. 6	<b>1000023603</b>
Fitting Size: No. 8	Hose Size: No. 8	<b>1000023624</b>
Fitting Size: No. 10	Hose Size: No. 10	<b>1000023644</b>
Fitting Size: No. 12	Hose Size: No. 12	<b>1000023646</b>

**Straight Splicer with 7/16-20 Valve Core Port with Clamp Assembly Fitting**



Fitting Size: No. 8	Hose Size: No. 8	<b>1001326527</b>
---------------------	------------------	-------------------

**Straight Splicer with M10 Switch or Service Port with Clamp Assembly Fitting**



Fitting Size: No. 8-No. 8-No. 8	Hose Size: No. 8	Thread Size: M10-1.25	<b>1000023930</b>
Fitting Size: No. 10-No. 10-No. 10	Hose Size: No. 10	Thread Size: M10-1.25	<b>1000023934</b>

**Straight Splicer with 13mm Switch or Service Port with Clamp Assembly Fitting**



Fitting Size: No. 10-No. 10	Hose Size: No. 10	Thread Size: 13mm	<b>1000023967</b>
-----------------------------	-------------------	-------------------	-------------------

**Straight Splicer with 16mm Switch or Service Port with Clamp Assembly Fitting**



Fitting Size: No. 8-No. 8-No. 8	Hose Size: No. 8	Thread Size: 16mm	<b>1000023951</b>
---------------------------------	------------------	-------------------	-------------------

**T-Splicer 3-Way Barb with Clamp Assembly Fitting**



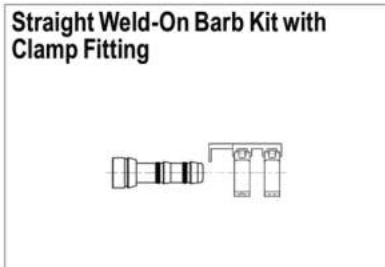
Fitting Size: No. 8	Hose Inner Diameter: No. 8	<b>1000024025</b>
---------------------	----------------------------	-------------------

**Splicer Fittings (cont'd)**



Fitting Size: No. 8	Hose Inner Diameter: No. 8	<b>1000024174</b>
Fitting Size: No. 12	Hose Inner Diameter: No. 12	<b>1000024184</b>

**Weld-On Fittings**



Fitting Size: No. 6	Hose Size: No. 6	<b>1000024213</b>
Fitting Size: No. 8	Hose Size: No. 8	<b>1000025085</b>
Fitting Size: No. 10	Hose Size: No. 10	<b>1000025095</b>
Fitting Size: No. 12	Hose Size: No. 12	<b>1000025138</b>

FITTINGS



## 2

**AIR-O-CRIMP Fittings****AIR-O-CRIMP Assembly****Cut or trim the hose.**

Cut or trim the hose to the desired length using the kwikcut hose cutter. The cut should be made square to the hose length.

**Assemble the clamp.**

Assemble the clamp assembly onto the hose with the locator tab positioned approximately where the fitting groove will be when the fitting is assembled.

**Apply refrigerant oil.**

Apply a small amount of refrigerant oil (PAG or Ester) to the fitting barb and o-rings (optional). Assemble the fitting into the hose until the hose touches the ramped step on the fitting. Adjust the clamp assembly so the tab on the locator "snaps" into the groove of the fitting.

**Crimp clamps.**

Using the air crimp gun or the manual crimp pliers, crimp each clamp separately.

**Caution:** If using the manual pliers, make sure that there is a metal to metal contact of the clamp ear when the crimp is made. There will be a slight amount of spring-back of the clamp ear when the crimp pliers are released. Failure to fully close the clamp may result in refrigerant leaks.

**Locator comes off.**

The locator will "pop off" after the second clamp is crimped and can be discarded. The result is a clean appearance and a reliable assembly.



FITTINGS





## ATCO Beadlock Fittings

2

### Accessories

#### ATCO Hose Clamp Assembly (packaged in quantities of 10)



Hose Size: No. 6	Color: Red	<b>1000025384</b>
Hose Size: No. 8	Color: Black	<b>1000025389</b>
Hose Size: No. 10	Color: Yellow	<b>1000025392</b>
Hose Size: No. 12	Color:	<b>1000197772</b>

#### Part No: 550342



General Specifications: Hydraulic Cylinder

FITTINGS



### Goodyear (Galaxy) Hoses

- **This hose meets J2064 specification**
- **Easy Couplability**  
Internal rubber layer makes coupling simple, assuring better assembly integrity while reducing the risk of refrigerant loss around the fittings.
- **Reduced Ozone Permeation**  
Internal Nylon Barrier hose is specifically designed to reduce the permeation level of ozone depleting refrigerant and chemicals in heavy duty air conditioning systems.
- **Universal Compatibility**  
Extensive testing has shown 4826 Barrier Hose to be compatible with R-12, R-134a and Ternary Blends.
- Low Volumetric Expansion
- Dimensionally Stable
- Flexible
- Easy to Route
- Reduction in Noise & Vibration
- J51 All Outside Diameters
- Tube: Polychloropene Barrier
- Reinforcement: Synthetic Yarn
- Cover: EPDM

**NOTE:** For use with steel or aluminum Push-On or Beadlock (Bubble Crimp) type fittings only!



800.499.6849 • [shop.bergstrominc.com](http://shop.bergstrominc.com)

313

2

## ATCO Beadlock Fittings

### Goodyear (Galaxy) Hoses (cont'd)

FITTINGS



Goodyear (Galaxy) 4826 Hose for Standard Fitting				Goodyear (Galaxy) 4890 Hose for Reduced Fitting			
							
Length: 50 Ft.	Hose Inner Diameter: 5/16" (7.9mm)	Hose Outer Diameter: 3/4" (19.1mm)	<b>550307</b>	Length: 50 Ft.	Hose Inner Diameter: 5/16" (7.9mm)	Hose Outer Diameter: 9/16" (14.7mm)	<b>1001639549</b>
Length: 50 Ft.	Hose Inner Diameter: 13/32" (10.3mm)	Hose Outer Diameter: 29/32" (23mm)	<b>550308</b>	Length: 50 Ft.	Hose Inner Diameter: 13/32" (10.3mm)	Hose Outer Diameter: 11/16" (17.3mm)	<b>1001639551</b>
Length: 50 Ft.	Hose Inner Diameter: 1/2" (12.7mm)	Hose Outer Diameter: 1" (25.4mm)	<b>550309</b>	Length: 50 Ft.	Hose Inner Diameter: 1/2" (12.7mm)	Hose Outer Diameter: 3/4" (19.4mm)	<b>1001639552</b>
Length: 50 Ft.	Hose Inner Diameter: 5/8" (15.9mm)	Hose Outer Diameter: 1 1/8" (28.6mm)	<b>550310</b>	Length: 50 Ft.	Hose Inner Diameter: 5/8" (15.9mm)	Hose Outer Diameter: 15/16" (23.6mm)	<b>1001639553</b>
Length: 825 Ft.	Hose Inner Diameter: 5/16" (7.9mm)	Hose Outer Diameter: 3/4" (19.1mm)	<b>1002300977</b>	Length: 825 Ft.	Hose Inner Diameter: 5/16" (7.9mm)	Hose Outer Diameter: 9/16" (14.7mm)	<b>1001260067</b>
Length: 725 Ft.	Hose Inner Diameter: 13/32" (10.3mm)	Hose Outer Diameter: 29/32" (23mm)	<b>1002301587</b>	Length: 725 Ft.	Hose Inner Diameter: 13/32" (10.3mm)	Hose Outer Diameter: 11/16" (17.3mm)	<b>1001260070</b>
Length: 700 Ft.	Hose Inner Diameter: 1/2" (12.7mm)	Hose Outer Diameter: 1" (25.4mm)	<b>1002301589</b>	Length: 600 Ft.	Hose Inner Diameter: 1/2" (12.7mm)	Hose Outer Diameter: 3/4" (19.4mm)	<b>1002300971</b>
				Length: 600 Ft.	Hose Inner Diameter: 1/2" (12.7mm)	Hose Outer Diameter: 3/4" (19.4mm)	<b>1001260075</b>
				Length: 425 Ft.	Hose Inner Diameter: 5/8" (15.9mm)	Hose Outer Diameter: 15/16" (23.6mm)	<b>1002300976</b>
				Length: 425 Ft.	Hose Inner Diameter: 5/8" (15.9mm)	Hose Outer Diameter: 15/16" (23.6mm)	<b>1001260076</b>

# ATCO Beadlock Fittings

## Compression Fittings - Standard Barrier

**Straight Compression Fitting (Standard Barrier)**



Fitting Size: No. 10	Fitting Thread Size: 5/8" Tube	Hose Size: No. 10	<b>550979</b>
Fitting Size: No. 12	Fitting Thread Size: 3/4" Tube	Hose Size: No. 12	<b>550980</b>

FITTINGS



## Female Flare Fittings - Standard Barrier

**Straight Female Flare Fitting (Standard Barrier)**



Fitting Size: No. 6	Fitting Thread Size: 5/8"-18	Hose Size: No. 6	<b>550992</b>
Fitting Size: No. 8	Fitting Thread Size: 3/4"-16	Hose Size: No. 8	<b>550993</b>

**Straight Female O-Ring Fitting (Standard Barrier)**



Fitting Size: No. 6	Fitting Thread Size: 5/8"-18	Hose Size: No. 6	<b>B409022</b>
Fitting Size: No. 8	Fitting Thread Size: 3/4"-16	Hose Size: No. 8	<b>B409023</b>
Fitting Size: No. 12	Fitting Thread Size: 1 1/16"-14	Hose Size: No. 12	<b>B409025</b>

**Straight Female O-Ring Fitting (Standard Barrier, Step Up)**



Fitting Size: No. 8	Fitting Thread Size: 3/4"-16	Hose Size: No. 10	<b>B409027</b>
Fitting Size: No. 10	Fitting Thread Size: 7/8"-14	Hose Size: No. 12	<b>B409028</b>



800.499.6849 • shop.bergstrominc.com

2

**ATCO Beadlock Fittings**  
**Female O-Ring Fittings - Standard Barrier** (cont'd)

FITTINGS



**Straight Female O-Ring Fitting (Standard Barrier, Step Down)**



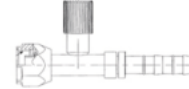
Fitting Size: No. 8	Fitting Thread Size: 3/4"-16	Hose Size: No. 6	<b>B409077</b>
---------------------	------------------------------	------------------	----------------

**Straight Female O-Ring with R-134a Port Metric Thread Fitting (Standard Barrier)**



Fitting Size: No. 8	Fitting Thread Size: M10 x 1.25	Hose Size: 3/4"-16	<b>B409087</b>
---------------------	---------------------------------	--------------------	----------------

**Straight Female O-Ring (Short Pilot) with 16mm High Side Charge Port Fitting (Standard Barrier)**



Fitting Size: No. 6	Fitting Thread Size: 5/8"-18	Hose Size: No. 6	<b>550671</b>
---------------------	------------------------------	------------------	---------------

**Female 45 Degree O-Ring Fitting (Standard Barrier)**



Fitting Size: No. 8	Fitting Thread Size: 3/4"-16	Hose Size: No. 8	<b>B409009</b>
---------------------	------------------------------	------------------	----------------

**Female 45 Degree O-Ring Fitting (Standard Barrier, Step Up)**



Fitting Size: No. 6	Fitting Thread Size: 5/8"-18	Hose Size: No. 8	<b>B409100</b>
---------------------	------------------------------	------------------	----------------

**Female 90 Degree O-Ring Fitting (Standard Barrier)**



Fitting Size: No. 6	Fitting Thread Size: 5/8"-18	Hose Size: No. 6	<b>B409000</b>
Fitting Size: No. 8	Fitting Thread Size: 3/4"-16	Hose Size: No. 8	<b>B409001</b>
Fitting Size: No. 12	Fitting Thread Size: 1 1/16"-14	Hose Size: No. 12	<b>B409003</b>

## ATCO Beadlock Fittings

2

### Female O-Ring Fittings - Standard Barrier (cont'd)

<b>Female 90 Degree O-Ring Fitting (Standard Barrier, Step Down)</b>				<b>90 Degree Female 16mm R-134a Port and M10 Switch (Offset) O-Ring Fitting (Standard Barrier)</b>				<b>Female 90 Degree O-Ring with 13mm R-134a Port Fitting (Standard Barrier)</b>			
											
Fitting Size: No. 8	Fitting Thread Size: 3/4"-16	Hose Size: No. 6	<b>B409076</b>	Fitting Size: No. 8	Fitting Thread Size: 3/4"-16	Hose Size: No. 8	<b>B409046</b>	Fitting Size: No. 10	Fitting Thread Size: 7/8"-14	Hose Size: No. 10	<b>B409017</b>
<b>Female 90 Degree O-Ring with 16mm R-134a Port Fitting (Standard Barrier)</b>				<b>Female 90 Degree O-Ring with M10 R-134a Port Fitting (Standard Barrier)</b>				<b>90 Degree Female 16mm R-134a Port and M10 Switch (Offset) O-Ring Fitting (Standard Barrier)</b>			
											
Fitting Size: No. 8	Fitting Thread Size: 3/4"-16	Hose Size: No. 8	<b>B409016</b>	Fitting Size: No. 12	Fitting Thread Size: 1 1/16"-14	Hose Size: No. 10	<b>B409039</b>	Fitting Size: No. 8	Fitting Thread Size: 3/4"-16	Hose Size: No. 8	<b>B409045</b>

FITTINGS



2

## ATCO Beadlock Fittings

### Female O-Ring Fittings - Reduced Barrier

FITTINGS



Fitting Size: No. 6	Fitting Thread Size: 5/8"-18	Hose Size: No. 6	<b>1001580089</b>
Fitting Size: No. 8	Fitting Thread Size: 3/4"-16	Hose Size: No. 8	<b>552-C043</b>
Fitting Size: No. 10	Fitting Thread Size: 7/8"-14	Hose Size: No. 10	<b>1001580093</b>
Fitting Size: No. 12	Fitting Thread Size: 1 1/16"-14	Hose Size: No. 12	<b>1001580096</b>



Fitting Size: No. 10	Fitting Thread Size: 7/8"-14	Hose Size: No. 8	<b>1001580103</b>
----------------------	------------------------------	------------------	-------------------



Fitting Size: M20	Fitting Thread Size: M20 x 1.5	Hose Size: No. 8	<b>1001580201</b>
-------------------	--------------------------------	------------------	-------------------



Fitting Size: No. 6	Fitting Thread Size: 5/8"-18	Hose Size: No. 6	<b>1001580106</b>
Fitting Size: No. 8	Fitting Thread Size: 3/4"-16	Hose Size: No. 8	<b>1001580108</b>
Fitting Size: No. 10	Fitting Thread Size: 7/8"-14	Hose Size: No. 10	<b>1001580109</b>
Fitting Size: No. 12	Fitting Thread Size: 1 1/16"-14	Hose Size: No. 12	<b>1001580111</b>



Fitting Size: No. 6	Fitting Thread Size: 5/8"-18	Hose Size: No. 6	<b>1001580116</b>
Fitting Size: No. 8	Fitting Thread Size: 3/4"-16	Hose Size: No. 8	<b>552-C053</b>



Fitting Size: No. 10	Fitting Thread Size: 7/8"-14	Hose Size: No. 10	<b>1001580119</b>
Fitting Size: No. 12	Fitting Thread Size: 1 1/16"-14	Hose Size: No. 12	<b>1001580123</b>

## ATCO Beadlock Fittings

2

### Female O-Ring Fittings - Reduced Barrier (cont'd)

**Female 90 Degree O-Ring with 13mm R-134a Port Fitting (Reduced Barrier)**



Fitting Size: No. 10	Fitting Thread Size: 7/8"-14	Hose Size: No. 10	<b>1001580120</b>
----------------------	------------------------------	-------------------	-------------------

**Female 90 Degree O-Ring with 16mm R-134a Port Fitting (Reduced Barrier)**



Fitting Size: No. 6	Fitting Thread Size: 5/8"-18	Hose Size: No. 6	<b>1001580117</b>
Fitting Size: No. 8	Fitting Thread Size: 3/4"-16	Hose Size: No. 8	<b>1000349946</b>

FITTINGS



### Male Insert O-Ring Fittings - Standard Barrier

**Straight Male Insert O-Ring Fitting (Standard Barrier)**



Fitting Size: No. 6	Fitting Thread Size: 5/8"-18	Hose Size: No. 6	<b>B409086</b>
Fitting Size: No. 10	Fitting Thread Size: 7/8"-14	Hose Size: No. 10	<b>B409097</b>

**Straight Male Insert O-Ring Fitting (Standard Barrier)**



Fitting Size: No. 10	Fitting Thread Size: 7/8"-14	Hose Size: No. 10	<b>1001579692</b>
----------------------	------------------------------	-------------------	-------------------



800.499.6849 • [shop.bergstrominc.com](http://shop.bergstrominc.com)

2

**ATCO Beadlock Fittings**  
**Male O-Ring Fittings - Standard Barrier**

FITTINGS



**Straight Male O-Ring Special Dryer Connection Fitting (Standard Barrier)**



Fitting Size: No. 7	Fitting Thread Size: 11/16"-16	Hose Size: No. 6	<b>550966</b>
---------------------	--------------------------------	------------------	---------------

**Straight Male O-Ring Fitting (Standard Barrier)**



Fitting Size: No. 6	Fitting Thread Size: 5/8"-18	Hose Size: No. 6	<b>B409013</b>
Fitting Size: No. 10	Fitting Thread Size: 7/8"-18	Hose Size: No. 10	<b>B409014</b>

**Straight Male O-Ring Fitting (Standard Barrier, Step Up)**



Fitting Size: No. 6	Fitting Thread Size: 5/8"-18	Hose Size: No. 8	<b>B409091</b>
Fitting Size: No. 10	Fitting Thread Size: 7/8"-18	Hose Size: No. 12	<b>B409015</b>

**Straight Male O-Ring M10 Switch Port and 16mm R-134a Port Fitting (Standard Barrier)**



Fitting Size: No. 10	Fitting Thread Size: 7/8"-18	Hose Size: No. 10	<b>B409047</b>
----------------------	------------------------------	-------------------	----------------

**Male 90 Degree O-Ring Special Dryer Connection Fitting (Standard Barrier)**



Fitting Size: No. 7	Fitting Thread Size: 11/16"-16	Hose Size: No. 6	<b>550938</b>
---------------------	--------------------------------	------------------	---------------

**Male 90 Degree O-Ring Fitting (Standard Barrier)**



Fitting Size: No. 8	Fitting Thread Size: 3/4"-16	Hose Size: No. 8	<b>B409094</b>
Fitting Size: No. 10	Fitting Thread Size: 7/8"-18	Hose Size: No. 10	<b>B409041</b>



## ATCO Beadlock Fittings

2

### Male O-Ring Fittings - Standard Barrier (cont'd)

<b>Male 90 Degree O-Ring 16mm Port Fitting (Standard Barrier)</b>			
			
Fitting Size: No. 6	Fitting Thread Size: 5/16"	Hose Size: No. 6	<b>551153</b>

<b>Male 90 Degree O-Ring 13mm Port Fitting, Standard Barrier</b>			
			
Fitting Size: No. 10	Fitting Thread Size: 7/8"-18	Hose Size: No. 12	<b>1001594399</b>

<b>90 Degree O-Ring M10 Port Fitting (Standard Barrier, Step Up)</b>			
			
Fitting Size: No. 6	Fitting Thread Size: 7/8"-18	Hose Size: No. 8	<b>B409037</b>

FITTINGS



### Male O-Ring Fittings - Reduced Barrier

<b>Straight Male O-Ring Fitting (Reduced Barrier)</b>			
			
Fitting Size: No. 6	Fitting Thread Size: 5/8"-18	Hose Size: No. 6	<b>1001580131</b>
Fitting Size: No. 10	Fitting Thread Size: 7/8"-14	Hose Size: No. 10	<b>1001580133</b>

<b>Male 45 Degree O-Ring Fitting (Reduced Barrier)</b>			
			
Fitting Size: No. 10	Fitting Thread Size: 7/8"-14	Hose Size: No. 10	<b>1001580140</b>

<b>Male 45 Degree O-Ring Fitting (Reduced Barrier, Step Up)</b>			
			
Fitting Size: No. 10	Fitting Thread Size: 7/8"-14	Hose Size: No. 12	<b>1001580143</b>



800.499.6849 • [shop.bergstrominc.com](http://shop.bergstrominc.com)

2

## ATCO Beadlock Fittings Splicer Fittings - Standard Barrier

**Straight Splicer Fitting (Standard Barrier)**



Hose Size: No. 6	Hose Size: No. 6	<b>550414</b>
Hose Size: No. 8	Hose Size: No. 8	<b>B409055</b>
Hose Size: No. 10	Hose Size: No. 10	<b>B409056</b>
Hose Size: No. 12	Hose Size: No. 12	<b>B409057</b>

**Straight Splicer with 1/4" Service Port Fitting (Standard Barrier)**



Hose Size: No. 10	Hose Size: No. 10	<b>1001580069</b>
Hose Size: No. 12	Hose Size: No. 12	<b>1001580070</b>

**90 Degree Splicer Fitting (Standard Barrier)**



Hose Size: No. 6	Hose Size: No. 6	<b>1001580073</b>
------------------	------------------	-------------------

FITTINGS



## Splicer Fittings - Reduced Barrier

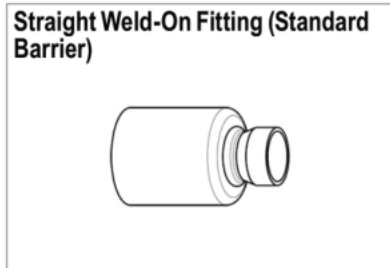
**Straight Splicer with 13mm R-134a Port Fitting (Reduced Barrier)**



Fitting Size: No. 12	Hose Size: No. 12	<b>1001580182</b>
----------------------	-------------------	-------------------

# ATCO Beadlock Fittings

## Weld-On Fittings - Standard Barrier



Fitting Size: No. 6	Fitting Thread Size: 3/8" Tube	Hose Size: No. 6	<b>1001338290</b>
Fitting Size: No. 8	Fitting Thread Size: 1/2" Tube	Hose Size: No. 8	<b>1001338301</b>
Fitting Size: No. 10	Fitting Thread Size: 5/8" Tube	Hose Size: No. 10	<b>1001338564</b>
Fitting Size: No. 12	Fitting Thread Size: 3/4" Tube	Hose Size: No. 12	<b>1001338581</b>

## Weld-On Fittings - Reduced Barrier



Fitting Size: No. 8	Fitting Thread Size: 1/2" Tube	Hose Size: No. 8	<b>1001580190</b>
Fitting Size: No. 10	Fitting Thread Size: 5/8" Tube	Hose Size: No. 10	<b>1001580196</b>



Fitting Size: No. 10	Fitting Thread Size: 5/8" Tube	Hose Size: No. 12	<b>1001580200</b>
----------------------	--------------------------------	-------------------	-------------------

FITTINGS



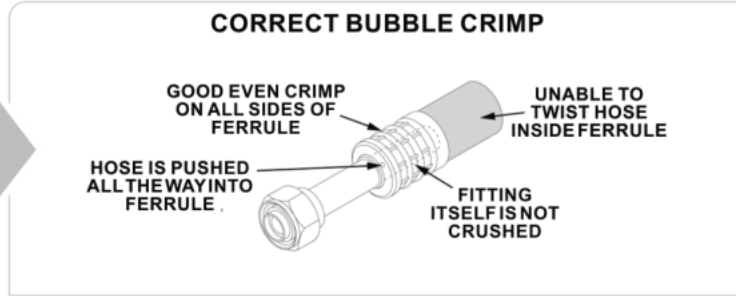
2

# ATCO Beadlock Fittings

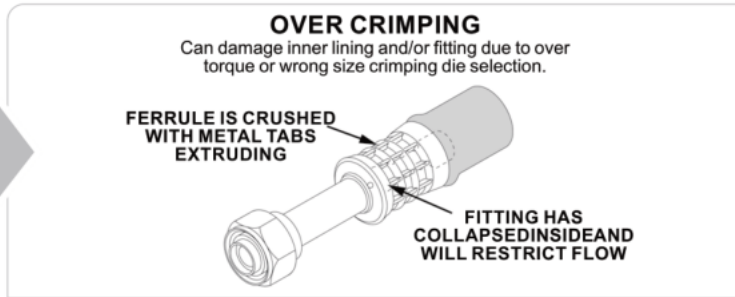
FITTINGS



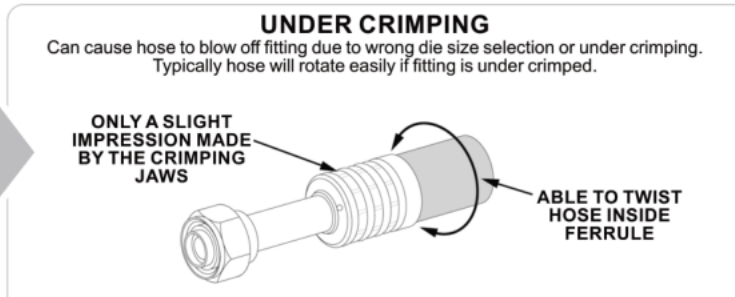
**CORRECT BUBBLE CRIMP**



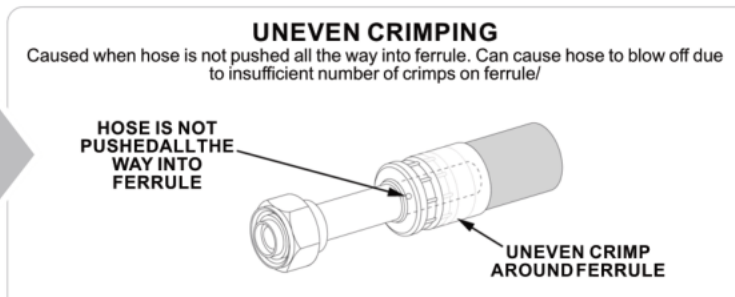
**INCORRECT BUBBLE CRIMP**



**INCORRECT BUBBLE CRIMP**



**INCORRECT BUBBLE CRIMP**



## Beadlock Fitting Identification

2

### CRIMPING PROCEDURES FOR TYPICAL MOBILE REFRIGERATION HOSE:

**STEP 1** Determine hose size needed. (See "Beadlock Fitting Identification", "Goodyear (Galaxy) Hoses" on page 313.)

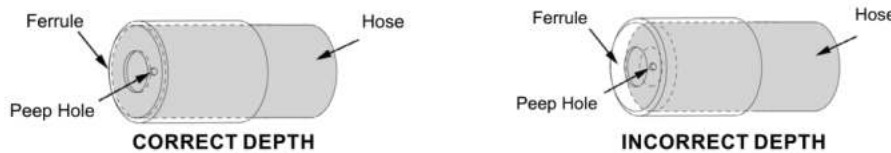
**STEP 2** Determine hose fitting size and type needed.



**STEP 3** Make certain that the end of hose to be crimped is cut evenly.

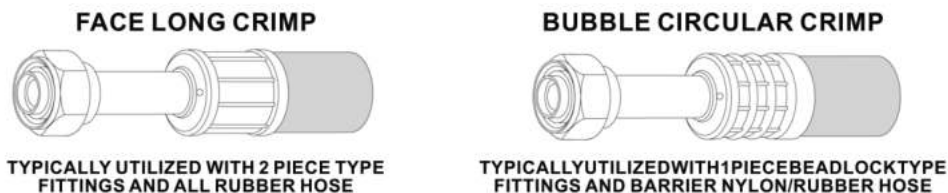


**STEP 4** Push hose ALL the way into ferrule until hose is flush with peephole at the end of the ferrule.



**NOTE:** It may be necessary to lubricate the hose inside diameter and/or hose fitting barbs

**STEP 5** Determine correct crimping die size to match hose and fitting size. There are basically two types of crimp styles (see below).



**STEP 6** Crimp hose/fitting based on specific crimping machine manufacturer's recommendations. Reference the following illustrations for some common examples of correct and incorrect crimping.

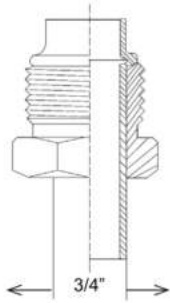
FITTINGS



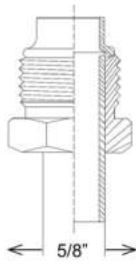
2

**Beadlock Fitting Identification**

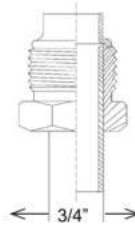
**Male O-Ring**



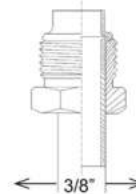
No. 12  
1 1/16"-16 Thread



No. 10  
7/8"-18 Thread

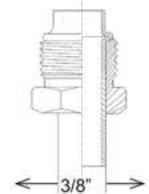


No. 8  
3/4"-18 Thread



No. 6  
5/8"-18 Thread

SPECIAL GM  
DRIER FITTING

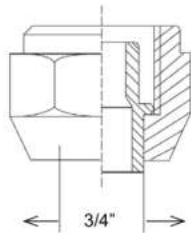


No. 6  
11/16"-16 Thread

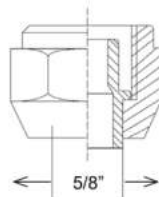
FITTINGS



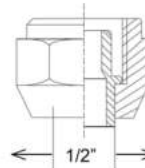
**Female O-Ring**



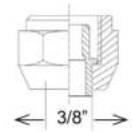
No. 12  
1 1/16"-14 Thread



No. 10  
7/8"-14 Thread

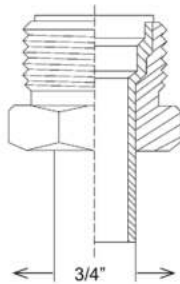


No. 8  
3/4"-16 Thread

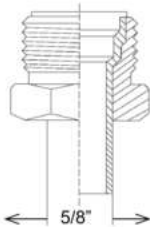


No. 6  
5/8"-18 Thread

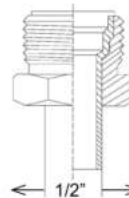
**Male Insert O-Ring**



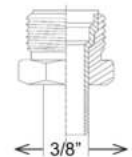
No. 12  
1 1/16"-14 Thread



No. 10  
7/8"-14 Thread



No. 8  
3/4"-16 Thread



No. 6  
5/8"-18 Thread

**O-Rings**



No. 12



No. 10



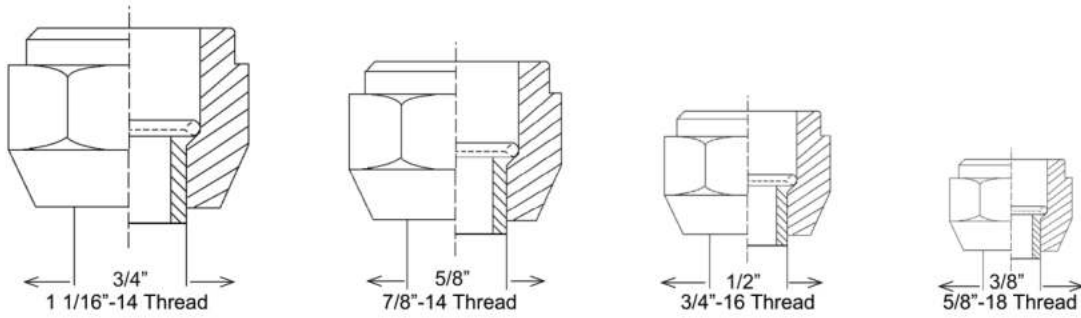
No. 8



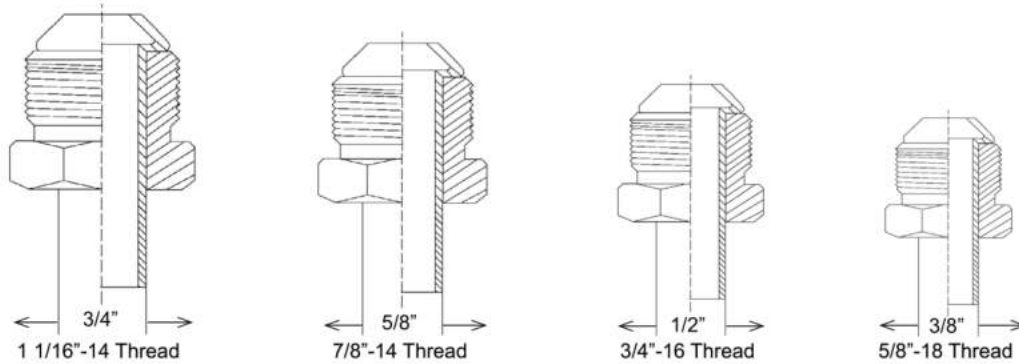
No. 6

# Beadlock Fitting Identification

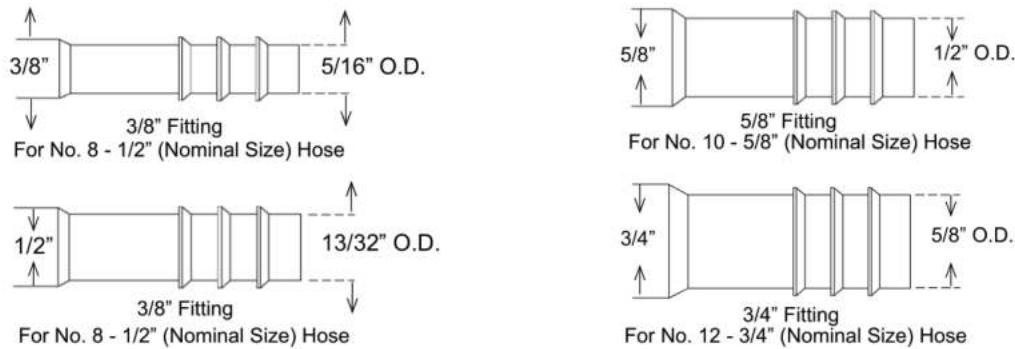
## Female Flare



## Male Flare



## Hose End Sizes



## Torque Recommendations

FLARE CONNECTIONS		
Tube O.D.	Thread Size	Ft./Lb.
3/8"	5/8"	18-20
1/2"	3/4"	36-39
5/8"	7/8"	52-57
3/4"	1 1/16"	71-79



800.499.6849 • shop.bergstrominc.com

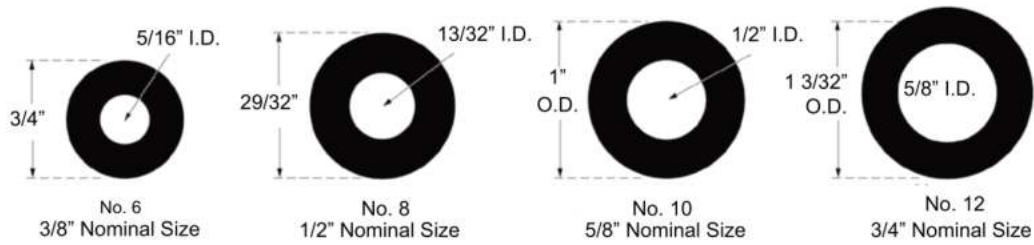
FITTINGS



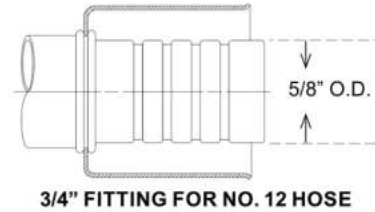
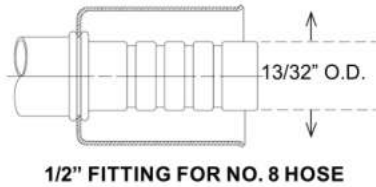
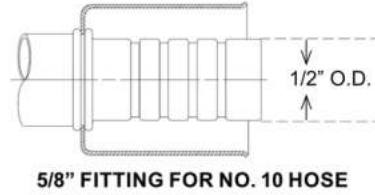
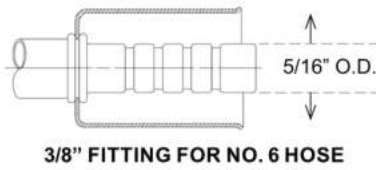
2

## Beadlock Fitting Identification

### Refrigerant Hose Sizes



### Beadlock



FITTINGS



### Torque Recommendations

FLARE CONNECTIONS		
Tube O.D.	Thread Size	Ft./Lb.
3/8"	5/8"	18-20
1/2"	3/4"	36-39
5/8"	7/8"	52-57
3/4"	1 1/16"	71-79

O-RING CONNECTIONS		
Tube O.D.	Thread Size	Ft./Lb.
3/8"	5/8"	11-13
1/2"	3/4"	15-20
5/8"	7/8"	21-27
3/4"	1 1/16"	28-33



# Burgaflex Fittings

## Goodyear (Galaxy) Hoses

- **This hose meets J2064 specification**
- **Easy Couplability**  
Internal rubber layer makes coupling simple, assuring better assembly integrity while reducing the risk of refrigerant loss around the fittings.
- **Reduced Ozone Permeation**  
Internal Nylon Barrier hose is specifically designed to reduce the permeation level of ozone depleting refrigerant and chemicals in heavy duty air conditioning systems.
- **Universal Compatibility**  
Extensive testing has shown 4826 Barrier Hose to be compatible with R-12, R-134a and Ternary Blends.
- **Low Volumetric Expansion**
- Dimensionally Stable
- Flexible
- Easy to Route
- Reduction in Noise & Vibration
- J51 All Outside Diameters
- Tube: Polychloroprene Barrier
- Reinforcement: Synthetic Yarn
- Cover: EPDM

**NOTE:** For use with steel or aluminum Push-On or Beadlock (Bubble Crimp) type fittings only!



Goodyear (Galaxy) 4826 Hose for Standard Fitting			
Length: 50 Ft.	Hose Inner Diameter: 5/16" (7.9mm)	Hose Outer Diameter: 3/4" (19.1mm)	<b>550307</b>
Length: 50 Ft.	Hose Inner Diameter: 13/32" (10.3mm)	Hose Outer Diameter: 29/32" (23mm)	<b>550308</b>
Length: 50 Ft.	Hose Inner Diameter: 1/2" (12.7mm)	Hose Outer Diameter: 1" (25.4mm)	<b>550309</b>
Length: 50 Ft.	Hose Inner Diameter: 5/8" (15.9mm)	Hose Outer Diameter: 1 1/8" (28.6mm)	<b>550310</b>
Length: 825 Ft.	Hose Inner Diameter: 5/16" (7.9mm)	Hose Outer Diameter: 3/4" (19.1mm)	<b>1002300977</b>
Length: 725 Ft.	Hose Inner Diameter: 13/32" (10.3mm)	Hose Outer Diameter: 29/32" (23mm)	<b>1002301587</b>
Length: 700 Ft.	Hose Inner Diameter: 1/2" (12.7mm)	Hose Outer Diameter: 1" (25.4mm)	<b>1002301589</b>



Goodyear (Galaxy) 4890 Hose for Reduced Fitting			
Length: 50 Ft.	Hose Inner Diameter: 5/16" (7.9mm)	Hose Outer Diameter: 9/16" (14.7mm)	<b>1001639549</b>
Length: 50 Ft.	Hose Inner Diameter: 13/32" (10.3mm)	Hose Outer Diameter: 11/16" (17.3mm)	<b>1001639551</b>
Length: 50 Ft.	Hose Inner Diameter: 1/2" (12.7mm)	Hose Outer Diameter: 3/4" (19.4mm)	<b>1001639552</b>
Length: 50 Ft.	Hose Inner Diameter: 5/8" (15.9mm)	Hose Outer Diameter: 15/16" (23.6mm)	<b>1001639553</b>
Length: 825 Ft.	Hose Inner Diameter: 5/16" (7.9mm)	Hose Outer Diameter: 9/16" (14.7mm)	<b>1001260067</b>
Length: 600 Ft.	Hose Inner Diameter: 1/2" (12.7mm)	Hose Outer Diameter: 3/4" (19.4mm)	<b>1002300971</b>
Length: 600 Ft.	Hose Inner Diameter: 1/2" (12.7mm)	Hose Outer Diameter: 3/4" (19.4mm)	<b>1001260075</b>
Length: 425 Ft.	Hose Inner Diameter: 5/8" (15.9mm)	Hose Outer Diameter: 15/16" (23.6mm)	<b>1002300976</b>
Length: 425 Ft.	Hose Inner Diameter: 5/8" (15.9mm)	Hose Outer Diameter: 15/16" (23.6mm)	<b>1001260076</b>

FITTINGS



800.499.6849 • shop.bergstrominc.com

2

**Burgaflex Fittings**

**Burgaflex Fittings - Standard Barrier**

FITTINGS



**Straight Fitting without Nut  
(Standard Barrier)**



Fitting Size: No. 6	Hose Size: No. 6	<b>1001457683</b>
Fitting Size: No. 8	Hose Size: No. 8	<b>1001457686</b>
Fitting Size: No. 10	Hose Size: No. 10	<b>1001457688</b>

**Straight Fitting without Nut  
(Standard Barrier, Step Up)**



Fitting Size: No. 6	Hose Size: No. 8	<b>1001561385</b>
---------------------	------------------	-------------------

**45 Degree Fitting without Nut  
(Standard Barrier)**



Fitting Size: No. 10	Hose Size: No. 10	<b>1001457850</b>
Fitting Size: No. 12	Hose Size: No. 12	<b>1001457852</b>

**45 Degree Fiting without Nut  
(Standard Barrier, Step Down)**



Fitting Size: No. 12	Hose Size: No. 10	<b>1001457851</b>
----------------------	-------------------	-------------------

**90 Degree Fitting without Nut  
(Standard Barrier)**



Fitting Size: No. 6	Hose Size: No. 6	<b>1001457853</b>
Fitting Size: No. 8	Hose Size: No. 8	<b>1001457854</b>
Fitting Size: No. 10	Hose Size: No. 10	<b>1001457855</b>
Fitting Size: No. 12	Hose Size: No. 12	<b>1001457857</b>

**90 Degree Fitting without Nut  
(Standard Barrier, Step Down)**



Fitting Size: No. 12	Hose Size: No. 10	<b>1001457856</b>
----------------------	-------------------	-------------------

## Burgaflex Fittings

2

### Burgaflex Fittings - Reduced Barrier

**Straight Fitting without Nut (Reduced Barrier)**

Fitting Size: No. 6	Hose Size: No. 6	<b>1001457859</b>
Fitting Size: No. 8	Hose Size: No. 8	<b>1001457860</b>
Fitting Size: No. 10	Hose Size: No. 10	<b>1001457861</b>
Fitting Size: No. 12	Hose Size: No. 12	<b>1001457863</b>

**Straight Fitting without Nut (Reduced Barrier, Step Down)**

Fitting Size: No. 12	Hose Size: No. 10	<b>1001457862</b>
----------------------	-------------------	-------------------

**Straight Fitting without Nut (Reduced Barrier, Step Up)**

Fitting Size: No. 6	Hose Size: No. 8	<b>1001561396</b>
---------------------	------------------	-------------------

**45 Degree Fitting without Nut (Reduced Barrier)**

Fitting Size: No. 6	Hose Size: No. 6	<b>1001457868</b>
Fitting Size: No. 8	Hose Size: No. 8	<b>1001457869</b>
Fitting Size: No. 10	Hose Size: No. 10	<b>1001458217</b>
Fitting Size: No. 12	Hose Size: No. 12	<b>1001458220</b>

**45 Degree Fitting without Nut (Reduced Barrier, Step Down)**

Fitting Size: No. 12	Hose Size: No. 10	<b>1001458219</b>
----------------------	-------------------	-------------------

**90 Degree Fitting without Nut (Reduced Barrier)**

Fitting Size: No. 6	Hose Size: No. 6	<b>1001458226</b>
Fitting Size: No. 8	Hose Size: No. 8	<b>1001458233</b>
Fitting Size: No. 10	Hose Size: No. 10	<b>1001458249</b>
Fitting Size: No. 12	Hose Size: No. 12	<b>1001458251</b>

FITTINGS



800.499.6849 • [shop.bergstrominc.com](http://shop.bergstrominc.com)

2

## Burgaflex Fittings

### Burgaflex Fittings - Reduced Barrier (cont'd)

90 Degree Fitting without Nut  
(Reduced Barrier, Step Down)



Fitting Size: No. 12	Hose Size: No. 10	<b>1001458250</b>
----------------------	-------------------	-------------------

FITTINGS



### Burgaflex Crimp Fittings - Reduced Barrier

Straight Fitting without Nut  
(Reduced Barrier)



Fitting Size: No. 6	Hose Size: No. 6	<b>1001458255</b>
Fitting Size: No. 8	Hose Size: No. 8	<b>1001458257</b>
Fitting Size: No. 10	Hose Size: No. 10	<b>1001458258</b>
Fitting Size: No. 12	Hose Size: No. 12	<b>1001458260</b>

Straight Fitting without Nut  
(Reduced Barrier, Step Down)



Fitting Size: No. 12	Hose Size: No. 10	<b>1001458259</b>
----------------------	-------------------	-------------------

45 Degree Fitting without Nut  
(Reduced Barrier)



Fitting Size: No. 6	Hose Size: No. 6	<b>1001458283</b>
Fitting Size: No. 8	Hose Size: No. 8	<b>1001458288</b>
Fitting Size: No. 10	Hose Size: No. 10	<b>1001458290</b>
Fitting Size: No. 12	Hose Size: No. 12	<b>1001458293</b>

## Burgaflex Fittings

2

### Burgaflex Crimp Fittings - Reduced Barrier (cont'd)

**45 Degree Fitting without Nut  
(Reduced Barrier, Step Down)**



Fitting Size: No. 12	Hose Size: No. 10	<b>1001458292</b>
----------------------	-------------------	-------------------

**90 Degree Fitting without Nut  
(Reduced Barrier)**



Fitting Size: No. 6	Hose Size: No. 6	<b>1001458294</b>
Fitting Size: No. 8	Hose Size: No. 8	<b>1001458299</b>
Fitting Size: No. 10	Hose Size: No. 10	<b>1001458301</b>
Fitting Size: No. 12	Hose Size: No. 12	<b>1001458305</b>

**90 Degree Fitting without Nut  
(Reduced Barrier, Step Down)**



Fitting Size: No. 12	Hose Size: No. 10	<b>1001458303</b>
----------------------	-------------------	-------------------

FITTINGS



### Burgaflex Accessories

**Hose Clip (package quantity of 10)**



Hose Size: No. 6	<b>1001458308</b>
Hose Size: No. 8	<b>1001458310</b>
Hose Size: No. 10	<b>1001458311</b>
Hose Size: NO. 12	<b>1001458313</b>

**Hose Clip Retainer**



Hose Size: No. 6	<b>1001458314</b>
Hose Size: No. 10	<b>1001458323</b>
Hose Size: No. 12	<b>1001458324</b>

**Part No: 1001458325**



General Specifications: Hose Climp Crimp Tool



800.499.6849 • [shop.bergstrominc.com](http://shop.bergstrominc.com)

2

**O-Rings  
Ferrule Fittings**

**Ferrule Fittings**  
(package quantity of 5)



Fitting Size: No. 6	<b>530635</b>
Fitting Size: No. 8	<b>530636</b>
Fitting Size: No. 10	<b>530637</b>
Fitting Size: No. 12	<b>530638</b>

FITTINGS



580565



1002487273



570120



580553



580123



1002487275



580113



564700



580124



572770



580125



580114



580210



589640



580089



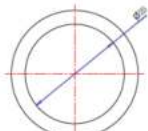
1000233458



580092



580091



1002508371

**NOTE:** All O-Rings are shown actual size and packaged in quantities of 25

## O-Rings

2



Slim line seal used in Freightliner applications  
(Packaged in quantities of 10)

Part No	Description	OEM No.
1000039205	Slim Line No. 6	ABP N83 312076
1000039326	Slim Line No. 8	ABP N83 312060
1000039333	Slim Line No. 10	ABP N83 312092



Mini Stat seals used in Freightliner applications  
(Packaged in quantities of 10)

Part No	Description	OEM No.	Color
1000039445	Mini Stat No. 6	ABP N83 312366	Red
1000039471	Mini Stat No. 8	ABP N83 312368	Red
1000039483	Mini Stat No. 10	ABP N83 312361	Red
1000039492	Mini Stat No. 12	ABP N83 312372	Red
1002508370	1 in. Stat Seal		

## O-Rings Specifications\*

Description/Applications	Part No	Material
<b>No. 6</b> Hose Filter Dryer O-Ring, Ford No. 6 Springlock & Tube Fitting O-Ring, Ford Combination Valve Schrader Port O-Ring, GM VIR Pickup Tube O-Ring, Nissan No. 10 Hose Fitting & Filter Dryer O-Ring, Nissan 10mm Filter Dryer, Condenser O-Ring, Ford Expansion Valve O-Ring, GM DA6 Discharge Crossover O-Ring, Mazda No. 6 Springlock Fitting O-Ring, Diesel Kiki BH DKS13G Oil Plug O-Ring, Min. Pressure Relief Valve O-Ring, Volvo No. 6 Hose Fitting O-Ring, Hyundai No. 6 Springlock O-Ring	570120	Green HNBR
	580553	Green HNBR
	580123	Black Neoprene
	1002487275	Yellow HNBR
<b>No. 6</b> Compression Fitting O-Ring, Chrysler 6C17 Large Control Valve (Inner) O-Ring, York & Sanden Oil Plug O-Ring, GM Pressure Relief Valve O-Ring, Toyota Pressure Switch O-Ring, GM V5 Control Valve O-Ring, GM R-134a Two Piece 16mm Primary Seal O-Ring, Chrysler 6C17 Oil Plug & Pressure Relief Valve O-Ring, GM, Ford Pressure Cycling Switch O-Ring, Sanden Compressor 1/4" Service Port O-Ring, Mitsubishi FX105V Compressor Control Valve (Inner) O-Ring, GM In-Line Filter O-Ring, Volvo Cycling/Pressure Switch O-Ring	580113	Black Neoprene
	564700	Green HNBR
<b>No. 8</b> Hose Fitting O-Ring, Ford No. 8 Tube Fitting & Non-metric Springlock O-Ring, Volvo No. 8 Hose Fitting O-Ring, Mazda No. 8 Springlock Fitting O-Ring, GM V5 Control Valve O-Ring, Nissan No. 12 Hose Fitting & Condenser Discharge Line O-Ring, Nissan 12mm STV Valve, Filter Dryer, Condenser, Hose Fitting O-Ring, GM VIR Inlet Fitting O-Ring, Toyota Discharge Line O-Ring, Aeroquip Two Piece 13mm R-134a Adapter O-Ring, Mazda O-Ring, Hyundai No. 8 Springlock O-Ring, Mitsubishi Hose Fitting O-Ring	580124	Black Neoprene
	572770	Green HNBR
<b>No. 10</b> Hose Fitting O-Ring, Ford No. 10 Tube Fitting & Non-metric Springlock O-Ring, Nissan Evaporator Suction Fitting O-Ring, Nissan 16mm STV Valve, Evaporator, Hose Fitting O-Ring, Toyota Suction Line O-Ring, Volvo No. 10 Hose Fitting O-Ring, Mitsubishi Hose Fitting O-Ring, Nippondenso TV Manifold Port O-Ring, Nippondenso TV10/TV12C/TV14C Sensor Housing O-Ring, Mazda Hose Fitting O-Ring, York, Tecumseh Tube-O Valve O-Ring, Aeroquip Two Piece 16mm Adapter O-Ring	580125	Black Neoprene
	580114	Green HNBR
<b>No. 12</b> Hose Fitting O-Ring, Ford No. 12 Tube Fitting & Non-metric Springlock O-Ring, VIR Expansion Valve Lower O-Ring, VIR Evaporator Fitting Outlet O-Ring, VIR Connection to Evaporator Suction Line O-Ring, GM V5 Control Valve O-Ring, Chrysler 6C17 Small Control Valve O-Ring, Volvo No. 12 Hose Fitting O-Ring, Nissan 19mm Evaporator Suction O-Ring	580210	Black Neoprene
	580089	Black Neoprene
<b>No. 8</b> GM Captive O-Ring, Chrysler 6C17 Large Control Outer O-Ring	580092	Black Neoprene
<b>No. 10</b> GM Captive O-Ring, GM DA6, Sanden SD505/507/TR70/TR90 Compressor Shaft Seal Head O-Ring, Hitachi Compressor Crossover O-Ring, Matsushita Compressor Model S1150 Carbon Seal Head O-Ring	580091	Black Neoprene
<b>No. 12</b> GM Captive O-Ring, GM A6, R4, Sanden SD708/709 Compressor Shaft Seal Head O-Ring, Mitsubishi Compressor Model FX80 Suction Port O-Ring, Nihon Compressor Model DKV14C Carbon Seal O-Ring	580091	Black Neoprene
5/8" O-Ring, Water, Antifreeze	1000233458	Black EPDM
O-Ring	580565	Green HNBR
O-Ring, Water Valve Fitting	1002487273	Yellow HNBR
O-Ring, Water Valve Fitting	589640	HQ Nitrile
1 in HNBR O-Ring	1002508371	HNBR
1.84 in HNBR O-Ring	1000259338	HNBR

\* All o-rings purchased separately are packaged in quantities of 25.

FITTINGS



800.499.6849 • shop.bergstrominc.com

335

2

# O-Rings

## O-Ring Assortment Kits

FITTINGS



Description	Part No
<b>O-Ring &amp; Service Assortment Kit</b>	<b>550367</b>

**NOTE:** Complete kit may be ordered by Part Number 2799201. Individual parts may be ordered by referencing the part number for each item as listed in the table (to right).

Kit Contents:

Part No	Qty.	Description
	7	GM Compressor Port O-Ring, Black Neoprene
<b>580089</b>	7	No. 8 GM Captured O-Ring, Black Neoprene
<b>580125</b>	7	No. 10 Hose Fitting O-Ring, Black Neoprene
	7	Equalizer Tube O-Ring, Black Neoprene
<b>580124</b>	7	No. 8 Hose Fitting O-Ring, Black Neoprene
<b>580091</b>	7	No. 12 Captured Fitting O-Ring, Black Neoprene
	7	No. 6 Captured O-Ring, Black Neoprene
<b>580210</b>	7	No. 12 Hose Fitting O-Ring, Black Neoprene
<b>570120</b>	7	No. 6 Hose Fitting O-Ring, Green HNBR
	10	CCI & Tecumseh Rotolock Service Valve Teflon Seal
<b>580106</b>	3	CCI & Tecumseh Long Stem Cap
<b>580108</b>	10	Charging Port Cap (3/16")
	10	Service Valve Cap (1/4")
	1	A-6 Shaft Nut
	1	Washer
	10	Charging Hose Seal
<b>580099</b>	10	Charging Hose Depressor
	10	Can Tap Seal Gasket
	3	CCI & Tecumseh Compressor Woodruff Key
	3	Sanden Shaft Key
<b>550403</b>	20	Schrader Valve Core

Description	Part No
<b>Job O-Ring Assortment Kit</b>	<b>525674</b>

Kit Contents:

Qty.	Description
1	O-Ring No. 4
7	O-Ring No. 6
6	O-Ring No. 8
4	O-Ring No. 10
1	O-Ring No. 12



O-Ring Assortment Kits (cont'd)

Description	Part No
<b>GM O-Ring Assortment Kit</b>	<b>869893</b>



**Kit Contents:**

Part No	Description
<b>580092</b>	No. 10 GM Captive O-Ring, Black Neoprene Chrysler Block Valve O-Ring, Green HNBR GM A6, DA6, HR6, V5, Ford, FS10, FX15, 10PA Service Valve O-Ring, Compressor Service Valve O-Ring, Black Neoprene
<b>580089</b>	No. 8 GM Captive O-Ring, Black Neoprene
<b>580125</b>	No. 10 GM, Ford, Chrysler, Import Hose Fitting O-Ring, Black Neoprene Capillary O-Ring, Black Neoprene Nissan No. 8 Hose Fitting/Dryer O-Ring, Black Neoprene
<b>580124</b>	No. 8 GM, Ford, Chrysler Import Hose Fitting O-Ring, Black Neoprene
<b>580091</b>	No. 12 GM Captive O-Ring, Black Neoprene No. 6 GM Captive O-Ring, Black Neoprene GM No. 10 Dual O-Ring, Black Neoprene
<b>580210</b>	No. 12 GM, Ford, Chrysler, Import Hose Fitting O-Ring, Black Neoprene
<b>570120</b>	No. 6 GM/Ford, Chrysler/Import Hose Fitting O-Ring, Green HNBR GM No. 8 Dual O-Ring, Black Neoprene
<b>572770</b>	No. 10 Ford Springlock Fitting O-Ring, Green HNBR
<b>580113</b>	Comp. Switch Port/Oil Plug/No. 6 Compression Fitting O-Ring, Black Neoprene
<b>564700</b>	No. 8 Ford Springlock Fitting O-Ring, Green HNBR
<b>580114</b>	No. 12 Ford Springlock Fitting O-Ring, Green HNBR
<b>580123</b>	No. 6 Ford Springlock Fitting O-Ring, Black Neoprene GM No. 12 Dual O-Ring, Black Neoprene GM "Oval" Service Valve O-Ring, Black Neoprene Chrysler Block Valve/GM R4 Service Valve O-Ring, Black Neoprene

**Qty. 10 each per complete kit.**

Description	Part No
<b>Metric O-Ring Kit</b>	<b>869437</b>



**Kit Contents:**

Part No	Description
	Compressor Switch Port Oil Plug O-Ring, Black Neoprene
<b>564700</b>	No. 8 Hose Fitting O-Ring, Green HNBR
<b>572770</b>	No. 10 Hose Fitting O-Ring, Green HNBR No. 5 (7MM) Toyota Fitting Seal
	Nissan No. 8 Hose Fitting/Drier O-Ring
<b>570120</b>	Nissan No. 10 Hose Fitting/Drier O-Ring, Green HNBR
<b>580125</b>	Nissan Evaporator Suction Line O-Ring, Green HNBR
<b>580565</b>	Nissan Condenser Liquid Line O-Ring
<b>580124</b>	Nissan Compressor Flange O-Ring, Green HNBR

**Qty. 10 each per complete kit.**

FITTINGS



800.499.6849 • shop.bergstrominc.com

2

**O-Rings**  
**O-Ring Assortment Kits (cont'd)**


FITTINGS



Description	Part No	Kit Contents:																		
<b>Freightliner Stat Seal &amp; Sealing Washer Assortment Kit</b>	<b>1002430992</b>	<table border="1"> <thead> <tr> <th>Part No</th> <th>Description</th> </tr> </thead> <tbody> <tr> <td>1000039205</td> <td>No. 6 Slim Line Washer, Black</td> </tr> <tr> <td>1000039326</td> <td>No. 8 Slim Line Washer, Black</td> </tr> <tr> <td>1000039333</td> <td>No. 10 Slim Line Washer, Black</td> </tr> <tr> <td>1000039445</td> <td>No. 6 Mini Stat Seal Washer, Red</td> </tr> <tr> <td>1000039471</td> <td>No. 8 Mini Stat Seal Washer, Red</td> </tr> <tr> <td>1000039483</td> <td>No. 10 Mini Stat Seal Washer, Red</td> </tr> <tr> <td>1000039492</td> <td>Comp. Suction/Discharge Mini Stat Seal, Red</td> </tr> <tr> <td>1002508370</td> <td>No. 12 Mini Stat Seal Washer, Red</td> </tr> </tbody> </table>	Part No	Description	1000039205	No. 6 Slim Line Washer, Black	1000039326	No. 8 Slim Line Washer, Black	1000039333	No. 10 Slim Line Washer, Black	1000039445	No. 6 Mini Stat Seal Washer, Red	1000039471	No. 8 Mini Stat Seal Washer, Red	1000039483	No. 10 Mini Stat Seal Washer, Red	1000039492	Comp. Suction/Discharge Mini Stat Seal, Red	1002508370	No. 12 Mini Stat Seal Washer, Red
Part No	Description																			
1000039205	No. 6 Slim Line Washer, Black																			
1000039326	No. 8 Slim Line Washer, Black																			
1000039333	No. 10 Slim Line Washer, Black																			
1000039445	No. 6 Mini Stat Seal Washer, Red																			
1000039471	No. 8 Mini Stat Seal Washer, Red																			
1000039483	No. 10 Mini Stat Seal Washer, Red																			
1000039492	Comp. Suction/Discharge Mini Stat Seal, Red																			
1002508370	No. 12 Mini Stat Seal Washer, Red																			
		<p><b>Qty. 10 each per complete kit.</b></p>																		

Description	Part No	Kit Contents:																																						
<b>Stat Seal &amp; O-Ring Assortment Kit</b>	<b>1002431328</b>	<table border="1"> <thead> <tr> <th>Part No</th> <th>Description</th> </tr> </thead> <tbody> <tr> <td>570120</td> <td>No. 6 GM/Ford, Chrysler/Import Hose Fitting O-Ring, Green HNBR</td> </tr> <tr> <td>572770</td> <td>No. 10 Ford Springlock Fitting O-Ring, Green HNBR</td> </tr> <tr> <td>564700</td> <td>No. 8 Ford Springlock Fitting O-Ring, Green HNBR</td> </tr> <tr> <td>580114</td> <td>No. 12 Ford Springlock Fitting O-Ring, Green HNBR</td> </tr> <tr> <td></td> <td>GM A6, DA6, HR6, V5, Ford, FS10, FX15, 10PA Service Valve O-Ring, Compressor Service Valve O-Ring, Black Neoprene</td> </tr> <tr> <td>580565</td> <td>Nissan Condenser Liquid Line O-Ring</td> </tr> <tr> <td>580553</td> <td>No. 6 Hose Fitting O-Ring, Green HNBR</td> </tr> <tr> <td>1000417503</td> <td>Navistar Head Compressor Discharge O-Ring</td> </tr> <tr> <td>1000417507</td> <td>Navistar Head Compressor Discharge O-Ring</td> </tr> <tr> <td>1000039205</td> <td>Freightliner Receiver Drier/TXV No. 6 Slimline Washer</td> </tr> <tr> <td>1000039326</td> <td>Freightliner Condenser/TXV No. 8 Slimline Washer</td> </tr> <tr> <td>1000039333</td> <td>Freightliner Evaporator/TXV No. 10 Slimline Washer</td> </tr> <tr> <td>1000039445</td> <td>Freightliner Direr/TXV No. 6 Stat Seal Washer</td> </tr> <tr> <td>1000039471</td> <td>Freightliner Condenser/TXV No. 8 Stat Seal Washer</td> </tr> <tr> <td>1000039483</td> <td>Freightliner Evaporator/TXV No. 10 Stat Seal Washer</td> </tr> <tr> <td>1000039492</td> <td>Freightliner Compressor Suction/Discharge Stat Seal</td> </tr> <tr> <td></td> <td>Volvo Head Compressor Discharge O-Ring</td> </tr> <tr> <td>1002508371</td> <td>Volvo Head Compressor Suction O-Ring</td> </tr> </tbody> </table>	Part No	Description	570120	No. 6 GM/Ford, Chrysler/Import Hose Fitting O-Ring, Green HNBR	572770	No. 10 Ford Springlock Fitting O-Ring, Green HNBR	564700	No. 8 Ford Springlock Fitting O-Ring, Green HNBR	580114	No. 12 Ford Springlock Fitting O-Ring, Green HNBR		GM A6, DA6, HR6, V5, Ford, FS10, FX15, 10PA Service Valve O-Ring, Compressor Service Valve O-Ring, Black Neoprene	580565	Nissan Condenser Liquid Line O-Ring	580553	No. 6 Hose Fitting O-Ring, Green HNBR	1000417503	Navistar Head Compressor Discharge O-Ring	1000417507	Navistar Head Compressor Discharge O-Ring	1000039205	Freightliner Receiver Drier/TXV No. 6 Slimline Washer	1000039326	Freightliner Condenser/TXV No. 8 Slimline Washer	1000039333	Freightliner Evaporator/TXV No. 10 Slimline Washer	1000039445	Freightliner Direr/TXV No. 6 Stat Seal Washer	1000039471	Freightliner Condenser/TXV No. 8 Stat Seal Washer	1000039483	Freightliner Evaporator/TXV No. 10 Stat Seal Washer	1000039492	Freightliner Compressor Suction/Discharge Stat Seal		Volvo Head Compressor Discharge O-Ring	1002508371	Volvo Head Compressor Suction O-Ring
Part No	Description																																							
570120	No. 6 GM/Ford, Chrysler/Import Hose Fitting O-Ring, Green HNBR																																							
572770	No. 10 Ford Springlock Fitting O-Ring, Green HNBR																																							
564700	No. 8 Ford Springlock Fitting O-Ring, Green HNBR																																							
580114	No. 12 Ford Springlock Fitting O-Ring, Green HNBR																																							
	GM A6, DA6, HR6, V5, Ford, FS10, FX15, 10PA Service Valve O-Ring, Compressor Service Valve O-Ring, Black Neoprene																																							
580565	Nissan Condenser Liquid Line O-Ring																																							
580553	No. 6 Hose Fitting O-Ring, Green HNBR																																							
1000417503	Navistar Head Compressor Discharge O-Ring																																							
1000417507	Navistar Head Compressor Discharge O-Ring																																							
1000039205	Freightliner Receiver Drier/TXV No. 6 Slimline Washer																																							
1000039326	Freightliner Condenser/TXV No. 8 Slimline Washer																																							
1000039333	Freightliner Evaporator/TXV No. 10 Slimline Washer																																							
1000039445	Freightliner Direr/TXV No. 6 Stat Seal Washer																																							
1000039471	Freightliner Condenser/TXV No. 8 Stat Seal Washer																																							
1000039483	Freightliner Evaporator/TXV No. 10 Stat Seal Washer																																							
1000039492	Freightliner Compressor Suction/Discharge Stat Seal																																							
	Volvo Head Compressor Discharge O-Ring																																							
1002508371	Volvo Head Compressor Suction O-Ring																																							
		<p><b>Qty. 5 each per complete kit.</b></p>																																						

O-Ring Assortment Kits (cont'd)

Description	Part No	Kit Contents:																																																		
<b>Master Deluxe O-Ring &amp; Sealing Assortment Kit</b>	<b>1002431343</b>	<table border="1"> <thead> <tr> <th>Part No</th> <th>Description</th> </tr> </thead> <tr> <td>570120</td> <td>No. 6 GM/Ford, Chrysler/Import Hose Fitting O-Ring, Green HNBR</td> </tr> <tr> <td>564700</td> <td>No. 8 Ford Springlock Fitting O-Ring, Green HNBR</td> </tr> <tr> <td>572770</td> <td>No. 10 Ford Springlock Fitting O-Ring, Green HNBR</td> </tr> <tr> <td>580114</td> <td>No. 12 Ford Springlock Fitting O-Ring, Green HNBR</td> </tr> <tr> <td>1002487273</td> <td>Nissan Condenser Liquid Line O-Ring, Yellow HNBR</td> </tr> <tr> <td>1002487275</td> <td>No. 6 Hose Fitting O-Ring, Yellow HNBR</td> </tr> <tr> <td>550403</td> <td>Standard Flow Valve Core</td> </tr> <tr> <td>551354</td> <td>High Flow Valve Core</td> </tr> <tr> <td>550397</td> <td>High Flow Valve Core</td> </tr> <tr> <td>550398</td> <td>High Flow Valve Core</td> </tr> <tr> <td>1000417503</td> <td>1/2 C-Plate Seal</td> </tr> <tr> <td>1000417507</td> <td>3/4 C-Plate Seal</td> </tr> <tr> <td></td> <td>High Flow M8 Valve Core</td> </tr> <tr> <td>1000039445</td> <td>Freightliner Drier/TXV No. 6 Stat Seal Washer</td> </tr> <tr> <td>1000039471</td> <td>Freightliner Drier/TXV No. 8 Stat Seal Washer</td> </tr> <tr> <td>1000039492</td> <td>Freightliner Compressor Suction/Discharge Stat Seal</td> </tr> <tr> <td>1000039483</td> <td>Freightliner Drier/TXV No. 10 Stat Seal Washer</td> </tr> <tr> <td>1002508370</td> <td>Freightliner No. 12 Suction Stat Seal</td> </tr> <tr> <td>550253</td> <td>R134a Low Side Cap, Blue</td> </tr> <tr> <td></td> <td>R134a 13mm High Side Standard Flow Cap, Red</td> </tr> <tr> <td>B360874</td> <td>13mm High Flow Cap, Blue</td> </tr> <tr> <td>551112</td> <td>AC Discharge Cap, Red</td> </tr> <tr> <td>550399</td> <td>AC Charge Cap, Red</td> </tr> <tr> <td>550401</td> <td>16mm Eaton Port Cap</td> </tr> </table>	Part No	Description	570120	No. 6 GM/Ford, Chrysler/Import Hose Fitting O-Ring, Green HNBR	564700	No. 8 Ford Springlock Fitting O-Ring, Green HNBR	572770	No. 10 Ford Springlock Fitting O-Ring, Green HNBR	580114	No. 12 Ford Springlock Fitting O-Ring, Green HNBR	1002487273	Nissan Condenser Liquid Line O-Ring, Yellow HNBR	1002487275	No. 6 Hose Fitting O-Ring, Yellow HNBR	550403	Standard Flow Valve Core	551354	High Flow Valve Core	550397	High Flow Valve Core	550398	High Flow Valve Core	1000417503	1/2 C-Plate Seal	1000417507	3/4 C-Plate Seal		High Flow M8 Valve Core	1000039445	Freightliner Drier/TXV No. 6 Stat Seal Washer	1000039471	Freightliner Drier/TXV No. 8 Stat Seal Washer	1000039492	Freightliner Compressor Suction/Discharge Stat Seal	1000039483	Freightliner Drier/TXV No. 10 Stat Seal Washer	1002508370	Freightliner No. 12 Suction Stat Seal	550253	R134a Low Side Cap, Blue		R134a 13mm High Side Standard Flow Cap, Red	B360874	13mm High Flow Cap, Blue	551112	AC Discharge Cap, Red	550399	AC Charge Cap, Red	550401	16mm Eaton Port Cap
Part No	Description																																																			
570120	No. 6 GM/Ford, Chrysler/Import Hose Fitting O-Ring, Green HNBR																																																			
564700	No. 8 Ford Springlock Fitting O-Ring, Green HNBR																																																			
572770	No. 10 Ford Springlock Fitting O-Ring, Green HNBR																																																			
580114	No. 12 Ford Springlock Fitting O-Ring, Green HNBR																																																			
1002487273	Nissan Condenser Liquid Line O-Ring, Yellow HNBR																																																			
1002487275	No. 6 Hose Fitting O-Ring, Yellow HNBR																																																			
550403	Standard Flow Valve Core																																																			
551354	High Flow Valve Core																																																			
550397	High Flow Valve Core																																																			
550398	High Flow Valve Core																																																			
1000417503	1/2 C-Plate Seal																																																			
1000417507	3/4 C-Plate Seal																																																			
	High Flow M8 Valve Core																																																			
1000039445	Freightliner Drier/TXV No. 6 Stat Seal Washer																																																			
1000039471	Freightliner Drier/TXV No. 8 Stat Seal Washer																																																			
1000039492	Freightliner Compressor Suction/Discharge Stat Seal																																																			
1000039483	Freightliner Drier/TXV No. 10 Stat Seal Washer																																																			
1002508370	Freightliner No. 12 Suction Stat Seal																																																			
550253	R134a Low Side Cap, Blue																																																			
	R134a 13mm High Side Standard Flow Cap, Red																																																			
B360874	13mm High Flow Cap, Blue																																																			
551112	AC Discharge Cap, Red																																																			
550399	AC Charge Cap, Red																																																			
550401	16mm Eaton Port Cap																																																			
		<p>Qty. 2 each per complete kit.</p>																																																		

FITTINGS



O-Ring Kit Listing

Kit Description	Contents	Part No
<b>GM Assortment O-Ring Kit</b>	R-12 and R-134a compatible (shown on previous page)	<b>869893</b>
<b>Metric O-Ring Kit</b>	A complete assortment of green R-134a O-Rings. (shown on previous page)	<b>869437</b>
<b>Deluxe O-Ring Kit</b>	A complete assortment of O-Rings along with seals, gaskets, Schrader valves, expansion valve screens and caps for R-12 and R-134a. (shown on previous page)	<b>550367</b>
<b>Job O-Ring Assortment Kit</b>	Various size o-rings (shown on previous page)	<b>525674</b>
<b>Freightliner Stat Seal &amp; Sealing Washer Assortment Kit</b>	An assortment of slimline washers and stat seals	<b>1002430992</b>
<b>Stat Seal &amp; O-Ring Assortment Kit</b>	An assortment of O-Rings, slimline washers and stat seals for late model Navistar, Freightliner & Volvo trucks	<b>1002431328</b>
<b>Master Deluxe O-Ring &amp; Sealing Washer Assortment Kit</b>	A complete assortment of O-Rings, valve cores, c-plates, stat seals and washers	<b>1002431343</b>

O-Ring Rubber Material Data

Rubber Type / Designation	Color	Automotive Application
Nitrile Buna / Buna N / NBR (Nitrile Butadiene Rubber)	Black	<ul style="list-style-type: none"> <li>AC Systems with R-12 Refrigerant &amp; Mineral Oil</li> <li>Power Steering / Rack &amp; Pinion Systems</li> <li>Heater Systems</li> <li>Fuel Systems</li> </ul>
HSN (Highly Saturated Nitrile) / HNBR (Hydrogenated Nitrile Butadiene Rubber)	Green or Yellow	<ul style="list-style-type: none"> <li>AC Systems with R-12 Refrigerant &amp; Mineral Oil</li> <li>AC Systems with R-134a Refrigerant &amp; PAG (Polyalkylene Glycol) or POE (Polyol Ester) Refrigerant Oils</li> </ul>
Neoprene / CR (Chloroprene Rubber)	Black, Red or Blue Tinted	<ul style="list-style-type: none"> <li>Same as above</li> </ul>



800.499.6849 • shop.bergstrominc.com

2

**Bulkhead Adapters, Tubing & Drain Hoses**

**Bulkhead Adapters**

FITTINGS



Hose Size: No. 6	Fitting Thread Size: 5/8"-18	Tube Size: 3/8"	<b>1002106849</b>
Hose Size: No. 8	Fitting Thread Size: 3/4"-16	Tube Size: 1/2"	<b>1002106852</b>
Hose Size: No. 12	Fitting Thread Size: 1 1/16"-14	Tube Size: 3/4"	<b>1002106854</b>



Hose Size: No. 6	Fitting Thread Size: 5/8"-18	Tube Size: 3/8"	<b>B405430</b>
Hose Size: No. 8	Fitting Thread Size: 3/4"-16	Tube Size: 1/2"	<b>B405431</b>
Hose Size: No. 10	Fitting Thread Size: 7/8"-14	Tube Size: 5/8"	<b>B405434</b>
Hose Size: No. 12	Fitting Thread Size: 1 1/16"-14	Tube Size: 3/4"	<b>B405433</b>



Hose Size: No. 6	Fitting Thread Size: 5/8"-18	Tube Size: 3/8"	<b>B203845</b>
Hose Size: No. 10	Fitting Thread Size: 7/8"-14	Tube Size: 5/8"	<b>B203846</b>

**Drain Hose & Accessories**



General Specifications: 1/2" Inner Diameter Drain Hose (order in 12 feet increments)



General Specifications: 1/2" Inner Diameter Check Valve Drain Tube



General Specifications: 1/2" Inner Diameter T-Fitting Drain Hose



General Specifications: 1/2" Inner Diameter. Splice Drain Hose



General Specifications: Drain Tube



General Specifications: Drain Tube

# Bulkhead Adapters, Tubing & Drain Hoses

## Drain Hose & Accessories (cont'd)

**Part No: 1000988616**



General Specifications: Drain Hose Kit

**Part No: 1000988618**



General Specifications: Drain Hose Kit

**Part No: B300515**



General Specifications: 1/2" Inside Diameter Drain Hose (order in bulk)

**Part No: B360312**



General Specifications: Plastic 1/2" x 1/2" 90 deg Elbow Fitting

## Insulation Tubing

**Part No: 651462**



General Specifications: Heat Shrink Tubing

FITTINGS



2

## Bulkhead Adapters, Tubing & Drain Hoses

### Tube & Fitting Assembly

FITTINGS




**Quick Disconnect Coupler**




Fitting Size: 5/8"-18	<b>550182</b>
-----------------------	---------------

**Fitting**




Fitting Size: No. 6	Fitting Thread Size: 5/8"-18	Tube Size: 3/8"	<b>550215</b>
Fitting Size: No. 8	Fitting Thread Size: 5/8"-18 to 1 1/16"-14	Tube Size: 5/8"	<b>550216</b>

**Heater Tube Fitting**



Fitting Thread Size: 7/8"-14	Tube Size: 5/8"	<b>550051</b>
------------------------------	-----------------	---------------

**Fitting**



Fitting Thread Size: 7/8"-14 to 1 1/16"-14	Tube Size: 5/8"	<b>550159</b>
--	-----------------	---------------

**Tube & Fitting Assembly**



Fitting Thread Size: 5/8"-18	Tube Size: 3/8"	<b>B405576</b>
------------------------------	-----------------	----------------

## Ducting, Clamps & Hoses

2

### Flexible Ducting

Bulk Flexible Ducting			
			
Fitting Size: 2" (50.8mm)	Hose Inner Diameter: 2" (50.8mm)	Length: 50 Ft.	<b>B311000</b>
Fitting Size: 2 1/2" (63.5mm)	Hose Inner Diameter: 2 1/2" (63.5mm)	Length: 50 Ft.	<b>B312000</b>
Fitting Size: 3" (76.2mm)	Hose Inner Diameter: 3" (76.2mm)	Length: 50 Ft.	<b>B314000</b>
Fitting Size: 3 1/2" (88.9mm)	Hose Inner Diameter: 3 1/2" (88.9mm)	Length: 50 Ft.	<b>B315000</b>
Fitting Size: 4" (101.6mm)	Hose Inner Diameter: 4" (101.6mm)	Length: 50 Ft.	<b>B316000</b>

FITTINGS



### Hose Clamps

Part No: B290065 (packaged in quantities of 10)

General Specifications: Double hose clamp Clamp Inner Diameter: 2" max.

Part No: B290247 (packaged in quantities of 10)

General Specifications: Cable clamp Clamp Inner Diameter: 3/16" max.

Hose/Duct Clamp (packaged in quantities of 25)		
		
Fitting Size: .56" (14.22mm)	Clamp Inner Diameter: 1/2" min. to 1" max.	<b>B290214</b>
	Clamp Inner Diameter: 5/8" min. to 1 1/4" max.	<b>B290304</b>
Fitting Size: 3.12" (79.25mm)	Clamp Inner Diameter: 3" min. to 4 1/4" max.	<b>B290303</b>



800.499.6849 • shop.bergstrominc.com

2

Ducting, Clamps & Hoses

Hoses

**Part No: B320000**



Hose Inner Diameter: 5/8"  
 Hose Outer Diameter: 15/16"  
 Length: 50 Ft. Rolls  
 General Specifications: Heater Hose

**Part No: 1002080211**



Hose Inner Diameter: 5/16"  
 Hose Outer Diameter: 19/32"  
 Length: 50 Ft. Rolls  
 General Specifications: #6 Eaton GH001 Hose

**Part No: 560126**



General Specifications: 1" 90 Degree Formed Heater Hose

**Part No: 560127**



General Specifications: 1" 180 Degree Formed Heater Hose

**Part No: 560235**



General Specifications: 4 x 45 in Defrost Hose

FITTINGS





### Hose and Installation Kits



General Specifications: Hose and Fitting Kit includes; (2) No. 10 O-ring, (2) No. 8 O-Ring, 18 feet No. 8 Hose, 18 feet No. 10 Hose, (1) No. 8 90 Degree Fitting, (1) No. 10 90 Degree Fitting, (1) No. 8 90 Degree Fitting w/Access Port, (1) No. 10 90 Degree Fitting w/Access Port



General Specifications: Hose and Fitting Kit includes; (2) No. 10 O-ring, (2) No. 8 O-Ring, 24 feet No. 8 Hose, 24 feet No. 10 Hose, (1) No. 8 Straight Fitting, (1) No. 10 Straight Fitting, (1) No. 8 90 Degree Fitting w/Access Port, (1) No. 10 90 Degree Fitting w/Access Port

### Wire Clips & Ties



General Specifications: 8" Long Heavy-duty Plastic Ties



General Specifications: Push Mount Tie Wrap  
Package Size: 50 Ft

FITTINGS



2

Notes

FITTINGS



Lined area for taking notes, consisting of multiple horizontal lines.



*Air Conditioning & Heating  
Replacement Parts*

# Service Equipment

<b>Flush &amp; Recharge Equipment</b>	<b>348</b>
A/C Flush Equipment	348
<b>Miscellaneous Service Equipment</b>	<b>348</b>
Manifold Gauge Sets	348
<b>Leak Detection Equipment</b>	<b>348</b>
Leak Detection Equipment	348
AC Service Products	348



2

SERVICE EQUIPMENT



Call: 800.499.6849 for Technical Assistance

Availability of the products shown in this reference guide is subject to change without notice by Bergstrom, Inc.  
For the most current product information please visit the Bergstrom Distributor website at <https://shop.bergstrominc.com/>.

2

Miscellaneous Service Equipment

A/C Flush Equipment

Part No: 525860



General Specifications: A/C flush gun kit with hose and rubber tip nozzle. Compatible with R-12, Freeze 12 or R7134a A/C systems.

Leak Detection Equipment

Part No: 530472



General Specifications: R-134a/Universal POE (4 oz.) solvent-free dyes certified to meet or exceed SAE standard J2297. Fits all popular caulking gun and pump type dye injectors.

SERVICE EQUIPMENT

Manifold Gauge Sets

Part No: 530409



General Specifications: Complete Multi-Refrigerant gauge set with hoses, containing 36" red and blue, 60" yellow hoses for use with multiple refrigerants including R-12, Freeze 12, R-134a, R-22, R-502, R502 as well as other alternative refrigerants

AC Service Products

Part No: 530609



General Specifications: R-134a Oil Injectow which is a 1/2" ACME-M x 1/2" ACME-F; Add oil by allowing vacuum to pull it in after evacuation process or use refrigerant to push it in using the recharge process. Rugged all metal 2 oz. canister. The standard models use a needle style Valve attached between the manifold gauge set or charging equipment and A/C hose.

AC Service Products (cont'd)

Part No: 530612



General Specifications: Eaton Valve Core Removal Tool, Standard Valve Core Remover/Installer which is a sturdy ball Valve design controls refrigerant flow with 1/4 turn of the Valve lever. Lever position also gives visual indication of whether Valve is opened or closed.

Part No: 530674



General Specifications: Fin Straightener with a six-in-one straightener to clean and straighten Condenser Coil and evaporator coil fins. Features: Tool is compact for use in confined spaces; 8, 9, 10, 12, 14 and 15 fins per inch; Handle size: 3-1/2" long; Straighten size: 3-1/8" diameter

Part No: 530835



General Specifications: A refrigerant tape used in covering A/C fittings comes in a 30-foot roll, 2 inches wide and 1/8 inch thickness.



Air Conditioning & Heating  
Replacement Parts

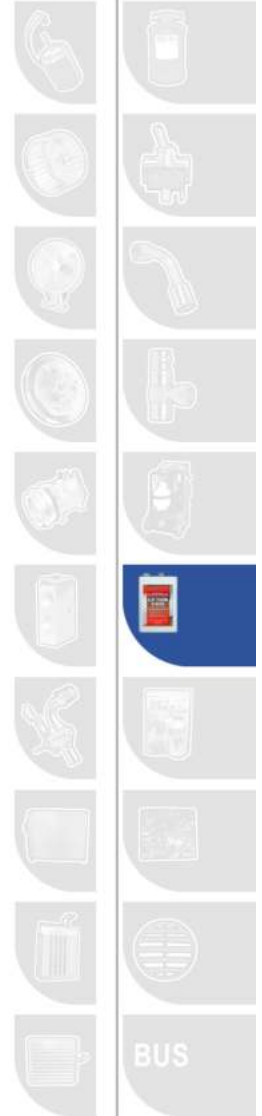
# Chemicals & Lubricants



2

CHEMICALS & LUBRICANTS

<b>Chemical &amp; Lubricant Specifications</b>	<b>350</b>
Chemicals	350
Lubricants	350
<b>Chemicals</b>	<b>350</b>
AC Flush	350
Leak Stop	351
Vacuum Pump Oil	351
Retro AC - Polyalkylene Glycol	351
Oil Charge	351
<b>Lubricants</b>	<b>351</b>
Refrigerant Oils	351
Retro AC - Polyalkylene Glycol with Leak Dye	352
Polyol Ester Oil	352



BUS

Call: 800.499.6849 for Technical Assistance

Availability of the products shown in this reference guide is subject to change without notice by Bergstrom, Inc.  
For the most current product information please visit the Bergstrom Distributor website at <https://shop.bergstrominc.com/>.

2

**Chemicals**

**Chemical & Lubricant Specifications**

Description	Package Size	Part No
<b>Chemicals</b>		
2 oz. R-134a/2 oz. Castrol Retro A/C, Ideal for top off of R-134a systems, Quick, Easy, and Economical	12 x 4 oz.	<b>1000530630</b>
Amid viscosity PAG oil mixed with R-134a for easy charging into an R-134a system	12 x 4 oz.	<b>1000530645</b>
Leak Stop - Helps to seal and detect most common AC leaks in R-134a systems	12 x 4 oz.	<b>1000530647</b>
AC Flush - Solvent based. Effective flushing agents available for removing debris and sludge out of AC components	4 x 1 gal.	<b>1000530681</b>
AC Flush - Solvent based. Effective flushing agents available for removing debris and sludge out of AC components	6 x 1 qt.	<b>1000531951</b>
AC Flush - Non-flammable. Effective flushing agents available for removing debris and sludge out of AC components	6 x 1 qt.	<b>1000532111</b>
<b>Lubricants</b>		
Refrigerant Oil - R-134a Sanden SP20	6 x 8.4 oz.	<b>B11373</b>
Vacuum Pump Oil	1 qt.	<b>530477</b>
Retro AC - Synthetic Polyol Ester Lubricant, Can be used in R-12 and R-134a systems	4 x 1 gal.	<b>1000530615</b>
Retro AC - Synthetic Polyol Ester Lubricant, Can be used in R-12 and R-134a systems	6 x 8 oz.	<b>1000531021</b>
Retro AC - Synthetic Polyol Ester Lubricant, Can be used in R-12 and R-134a systems	6 x 1 qt.	<b>1000531390</b>
Retro AC - PAG 46 A low viscosity ISO 46, Formulated for R-134a systems other than Ford or GM	6 x 8 oz.	<b>1000531455</b>
Retro AC - PAG 100	6 x 8 oz.	<b>1000531458</b>
Retro AC - PAG 150 PAG refrigerant oil for use when servicing Sanden R-134a compressors	6 x 8 oz.	<b>1000531902</b>
Ester Oil with Leak Die - Synthetic Polyol Ester Lubricant, Can be used in R-12 and R-134a systems	6 x 8 oz.	<b>1000532147</b>
Retro AC - PAG 46 with Leak Die - A low viscosity ISO 46, Formulated for R-134a systems other than Ford or GM	6 x 8 oz.	<b>1000532206</b>
Retro AC - PAG 100 with Leak Die	6 x 8 oz.	<b>1000532211</b>
Retro AC - PAG 150 with Leak Die - PAG refrigerant oil for use when servicing Sanden R-134a compressors	6 x 8 oz.	<b>1000532215</b>

CHEMICALS & LUBRICANTS



**AC Flush**

<p><b>Part No: 1000530681</b></p>  <p>General Specifications: AC Flush - Solvent based. Effective flushing agents available for removing debris and sludge out of AC components</p> <p>Package Size: 4 x 1 gal.</p>	<p><b>Part No: 1000531951</b></p>  <p>General Specifications: AC Flush - Solvent based. Effective flushing agents available for removing debris and sludge out of AC components</p> <p>Package Size: 6 x 1 qt.</p>	<p><b>Part No: 1000532111</b></p>  <p>General Specifications: AC Flush - Non-flammable. Effective flushing agents available for removing debris and sludge out of AC components</p> <p>Package Size: 6 x 1 qt.</p>
--	---	---

**Lubricants**

**Leak Stop**

**Part No: 1000530647**



General Specifications: Leak Stop - Helps to seal and detect most common AC leaks in R-134a systems

Package Size: 12 x 4 oz.

**Oil Charge**

**Part No: 1000530630**



General Specifications: 2 oz. R?134a/2 oz. Castrol Retro A/C, Ideal for top off of R?134a systems, Quick, Easy, and Economical

Package Size: 12 x 4 oz.

**Part No: 1000530645**



General Specifications: A mid viscosity PAG oil mixed with R-134a for easy charging into an R-134a system

Package Size: 12 x 4 oz.

**Vacuum Pump Oil**

**Part No: 530477**



General Specifications: Vacuum Pump Oil

Package Size: 1 qt.

**Refrigerant Oils**

**Part No: B11373**



General Specifications: Refrigerant Oil - R-134a Sanden SP20

Package Size: 6 x 8.4 oz.

**Retro AC - Polyalkylene Glycol**

**Part No: 1000531455**



General Specifications: Retro AC - PAG 46 A low viscosity ISO 46, Formulated for R?134a systems other than Ford or GM

Package Size: 6 x 8 oz.

**Part No: 1000531458**



General Specifications: Retro AC - PAG 100 For use in Seltec (Zexel, Diesel Kiki) R?134a compressors

Package Size: 6 x 8 oz.

**Part No: 1000531902**



General Specifications: Retro AC - PAG 150 PAG refrigerant oil for use when servicing Sanden R?134a compressors

Package Size: 6 x 8 oz.

CHEMICALS & LUBRICANTS




800.499.6849 • [shop.bergstrominc.com](http://shop.bergstrominc.com)

2

**Lubricants**

**Retro AC - Polyalkylene Glycol with Leak Dye**

**Part No: 1000532206**



General Specifications: Retro AC - PAG 46 with Leak Die - A low viscosity ISO 46, Formulated for R7134a systems other than Ford or GM  
 Package Size: 6 x 8 oz.

**Part No: 1000532211**



General Specifications: Retro AC - PAG 100 with Leak Die - For use in Seltec (Zexel, Diesel Kiki) R7134a compressors  
 Package Size: 6 x 8 oz.

**Part No: 1000532215**




General Specifications: Retro AC - PAG 150 with Leak Die - PAG refrigerant oil for use when servicing Sanden R7134a compressors  
 Package Size: 6 x 8 oz.

CHEMICALS & LUBRICANTS



**Poly Ester Oil**

**Part No: 1000530615**




General Specifications: Retro AC - Synthetic Polyol Ester Lubricant, Can be used in R712 and R7134a systems  
 Package Size: 4 x 1 gal.

**Part No: 1000531021**



General Specifications: Retro AC - Synthetic Polyol Ester Lubricant, Can be used in R712 and R7134a systems  
 Package Size: 6 x 8 oz.

**Part No: 1000531390**



General Specifications: Retro AC - Synthetic Polyol Ester Lubricant, Can be used in R712 and R7134a systems  
 Package Size: 6 x 1 qt.

**Part No: 1000532147**



General Specifications: Ester Oil with Leak Die - Synthetic Polyol Ester Lubricant, Can be used in R712 and R7134a systems  
 Package Size: 6 x 8 oz.





Air Conditioning & Heating  
Replacement Parts

# Kits & Accessories



2

KITS & ACCESSORIES

<b>Retrofit Kit &amp; Adapters</b>	<b>354</b>
Retrofit Adapters	354
<b>Tools &amp; Accessories</b>	<b>355</b>
Accessories	355
Brackets & Kits	355
Bolts, Nuts, Washers & Screws	356
Foam & Gaskets	356
Sensors	356
Grommets	357
Terminals	357
Valve Cores & Installation Tools	358
Wire & Wire Harnesses	359



Call: 800.499.6849 for Technical Assistance

Availability of the products shown in this reference guide is subject to change without notice by Bergstrom, Inc.  
For the most current product information please visit the Bergstrom Distributor website at <https://shop.bergstrominc.com/>.

2

Retrofit Kit & Adapters

Retrofit Adapters

KITS & ACCESSORIES

**Part No: 550284**



Adaptor 16mm. 37-24-.81In (must order in increments of 5)

Fitting Size: 16mm

Fitting Thread Size: 3/16" (3/8"-24)

General Specifications: Straight 16mm Adapter Fitting R-134a. Includes Valve Core, Neoprene O-ring and Threadlock.

Additional Specification: NOTE: The price is per piece (not per pack quantity). The total price will be reflected during the checkout process.

**Part No: 550386**



90 Degree Steel Adaptor (must order in increments of 5)

Fitting Size: 16mm

Fitting Thread Size: 3/16" (3/8"-24)

General Specifications: 90° 16mm Adapter Fitting R-134a. Includes Valve Core, Neoprene O-ring and Threadlock.

Additional Specification: NOTE: The price is per piece (not per pack quantity). The total price will be reflected during the checkout process.

**Part No: 550387**



90 Degree Steel Adaptor, .250 In S (must order in increments of 5)

Fitting Size: 16mm

Fitting Thread Size: Female 7/16-20 Thread (1/4")

General Specifications: 90° 16mm Adapter Fitting R-134a. Includes Valve Core, Neoprene O-ring and Threadlock.

Additional Specification: NOTE: The price is per piece (not per pack quantity). The total price will be reflected during the checkout process.

**Part No: 550388**



90 Degree Steel Adaptor (must order in increments of 5)

Fitting Size: 13mm

Fitting Thread Size: 7/16" x 20 (1/4")

General Specifications: 90° 13mm Adapter Fitting R-134a

Additional Specification: NOTE: The price is per piece (not per pack quantity). The total price will be reflected during the checkout process.

**Part No: 540373**



Adaptor Ford Primary 16Mm

Fitting Size: 16mm port

Fitting Thread Size: Male Thread 12mm-1.5

General Specifications: Ford Primary Port 16mm x M12 x 1.5 base thread with neoprene o-ring and valve core

**Part No: 550394**



16mm Adaptor, .4370-20 .25 (must order in increments of 5)

Fitting Size: 16mm

Fitting Thread Size: 1/4" (7/16"-20)

General Specifications: Straight 16mm Adapter Fitting R-134a. Includes Valve Core, Neoprene O-ring and Threadlock.

Additional Specification: NOTE: The price is per piece (not per pack quantity). The total price will be reflected during the checkout process.

**Part No: 580552**



Retro Fit Adaptor

Fitting Size: 13mm port

Fitting Thread Size: Female thread, 10mm-1.25

General Specifications: Chrysler, Ford, Mercedes 13mm Primary Seal Port with green HNBR o-ring (aluminum)

## Tools & Accessories

2

### Accessories

**Part No: 570140**



Insulation Tape, 264328R1/5P4610 (must order in 30-foot increments)

**Part No: 600157**



Tinnerman S-Clip (must order in increments of 10)

**Part No: 1000417503**



C-Plate Seal, 1/2 (must order in increments of 10)  
General Specifications: 1/2 C-plate seal

**Part No: 1000417507**



C-Plate Seal, 3/4 (must order in increments of 10)  
General Specifications: 3/4 C-plate seal

**Part No: 1000241452**



Water Valve Clip (must order in increments of 10)  
General Specifications: Water valve clip

**Part No: 1002206590**



Black Sealing Tape for Solar Panel Modules  
Length: 36" (914.4mm)  
Width: 2" (50.8mm)  
Thickness: 1/32" (1mm)

### Brackets & Kits

**Part No: 1002825403**



Fuel Tank Pickup Kit

**Part No: B416551**



Adapter Kit

KITS&ACCESSORIES



2

## Tools & Accessories

### Bolts, Nuts, Washers & Screws

Part No: 600121



Bolts used for bracket #0134B

Part No: 600283



Self Drill Screw (must order in increments of 25)

Part No: 1000694101



M8 x 1.25 Serrated Hex Nut (must order in increments of 10)

Part No: B202303



Flat SAE Standard Steel Washer, 5/16 (must order in increments of 25)

KITS&ACCESSORIES

### Foam & Gaskets

Part No: 580099



Charging Hose Gasket, .25 (must order in increments of 5)

General Specifications: Charging Hose Gasket - 1/4"

### Sensors

Part No: 650263



Evaporator Sensor

# Tools & Accessories


## Grommets

**Part No: 520453**



Grommet, 33.34 I.D. 3H-2900 (must order in increments of 10)

**Part No: 520513**



Freeze Switch Grommet  
General Specifications: NITE Phoenix Prefix SRT, BWF, BYC, CAI, CCA, CDJ, CIA, CNA

**Part No: B300222**



Grommet-Rubber,.62 Id (must order in increments of 10)

## Terminals

**Part No: 670137**



Terminal Ring 3/8 4 Ga

**Part No: 670136**



Terminal Ring 5/16 4 Ga

**Part No: 1000247777**



Terminal, 3/8" Ring 14-16 Guage Sealed

**Part No: 1000247778**



Terminal, 3/8" Ring 18-22 Guage Sealed

**Part No: 1000309205**



Lug Terminal, 4Awg 90-Deg

KITS&ACCESSORIES



**2**

**Tools & Accessories**  
**Valve Cores & Installation Tools**

KITS & ACCESSORIES

**Part No: 550385**



Valve Core Tool  
General Specifications: Heavy duty core removal tool standard size and Eaton SSV E-Z clip size

**Part No: 550397**



Valve Core (must order in increments of 5)  
General Specifications: M8 Eaton 13mm SSV - High flow low side service port - OAL 7/8" top to bottom - 10 per box

**Part No: 550398**



Valve Core (must order in increments of 5)  
General Specifications: M10 Eaton 16mm SSV - High flow high side service port - OAL 7/8" top to bottom - 10 per box

**Part No: 550402**



Valve Core Tool  
General Specifications: Schrader Core Remover

**Part No: 550403**



Valve Core (must order in increments of 5)  
General Specifications: Valve core R12/R134a service port - OAL 3/4" top to bottom - 10 per box

**Part No: 550508**



Valve Core (must order in increments of 10)  
General Specifications: 1/4" - GM High Flow Large Bore Valve Core - Service port, OAL 3/4" top to bottom - 10 per box

**Part No: 551354**



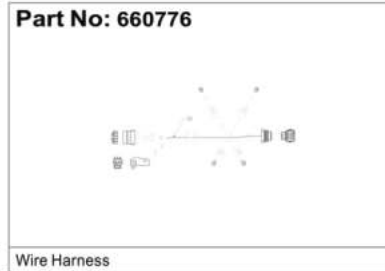
Valve Core (must order in increments of 10)  
General Specifications: High Flow Valve Core w/ HNBR Seal - 10 per box



## Tools & Accessories

2

### Wire & Wire Harnesses



KITS&ACCESSORIES



2

Tools & Accessories

**Part No: 1000927678**



Wire Harness  
General Specifications: Wire Harness used with four prong standard spade connector relay

**Part No: 1000927737**



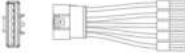
Jumper Blower P3 Wire Harness

**Part No: 1000493450**



Phoenix Can Bus Wire Harness  
General Specifications: Phoenix Can Bus Wire Harness

**Part No: 1002192042**



Wire Harness Jumper, Double Fan Heater  
General Specifications: Harness to adapt 1001841874 to 100061801

**Part No: B300652**



Wire Loom .625 I.D. X Bulk (must order in 15-foot increments)  
General Specifications: Wire loom (sold in 15ft increments)

**Part No: B416912**



Spike Protection Kit  
General Specifications: Spike Protection Kit

KITS&ACCESSORIES







*Air Conditioning & Heating  
Replacement Parts*

# Air Filters

<b>Air Filter Specifications</b>	<b>362</b>
Air Filter Specifications	362



BUS

Call: 800.499.6849 for Technical Assistance  
 Availability of the products shown in this reference guide is subject to change without notice by Bergstrom, Inc.  
 For the most current product information please visit the Bergstrom Distributor website at <https://shop.bergstrominc.com/>.

## 2

## Air Filter Specifications

## Air Filter Specifications

Length	Height	Width	Material	Description	Application	Part No
4 1/4" (108mm)	4" (102mm)	1/4" (6.4mm)	-	Air filter	-	<b>B407371</b>
6 15/16" (175.3mm)	4 1/8" (105mm)	1/2" (12.7mm)	Polyester Fiber Bonded (Blue)	Fire retardant binder	International Cross Reference No: 3839326C1	<b>1000103887</b>
7 13/16" (198.5mm)	6 3/16" (157mm)	3/4" (19.1mm)	Fiber	Cabin air filter	Freightliner Cross Reference No: N10G-91595	<b>526407</b>
8 7/16" (214mm)	10 1/16" (256mm)	1/2" (12.7mm)	Fiber	Cabin air filter	Volvo Cross Reference No: BSM1000183201, Mack Cross Reference No: 7787-1000183201, Freightliner Cross Reference No: BSM 1000183201	<b>1000183201</b>
8 1/2" (215.9mm)	14 1/4" (362mm)	2 3/16" (55.5mm)	-	Air filter kit option	Volvo Cross Reference No: BSM626001	<b>B416998</b>
8 5/8" (219mm)	7 5/8" (193.7mm)	3/4" (19.1mm)	Fiber	Cabin air filter	-	<b>530631</b>
8 5/8" (219mm)	8 1/4" (209.6mm)	1" (25.4mm)	-	Pleated cabin air filter	Freightliner Cross Reference No: ABP N10G 36000006	<b>1000039637</b>
8 5/8" (219mm)	8 3/8" (212.9mm)	1/4" (6.4mm)	-	Aluminum frame; expanded aluminum pad	Freightliner Cross Reference No: 22-62199-000	<b>526477</b>
8 3/4" (222mm)	7 7/8" (199.5mm)	1/4" (6.4mm)	-	Recirculated air filter; Aluminum frame; expanded aluminum pad	Volvo Cross Reference No: 85101012, Freightliner Cross Reference No: BSM 525406	<b>525406</b>
8 15/16" (226mm)	9" (228.6mm)	5/16" (7.9mm)	-	Aluminum frame; expanded aluminum pad	Volvo Cross Reference No: 85101011, Freightliner Cross Reference No: 65-00193-00	<b>525460</b>
9 3/16" (233mm)	9 3/16" (233mm)	5/8" (16mm)	Poly-Flo Polyester (Blue)	Fire retardant air filter	Freightliner Cross Reference No: BSM 1000186314	<b>1000186314</b>
9 1/4" (234mm)	10 1/2" (266.7mm)	1/2" (12.7mm)	Poly fibers bonded	Washable air filter with flame retardant binder	International Cross Reference No: 481813C1, Volvo Cross Reference No: BSM626005	<b>525249</b>
10" (254mm)	13 11/16" (347mm)	1/2" (12.7mm)	Poly fibers bonded	Washable air filter with flame retardant binder	International Cross Reference No: 1699956C1, Volvo Cross Reference No: BSM626008, Freightliner Cross Reference No: RDH RD5 10775 0	<b>525543</b>
10" (254mm)	9 13/16" (249mm)	1" (25.4mm)	Poly-Flo Polyester (Blue)	Fire retardant air filter	Mack Cross Reference No: 3543-H9638	<b>1001272970</b>
10" (254mm)	7 15/16" (202mm)	7/8" (23mm)	-	Pleated LC air filter	Peterbilt Cross Reference No: 5S014010	<b>1000207216</b>
10" (254mm)	8 15/16" (227.1mm)	2 3/16" (55.5mm)	-	Pleated with Frame	Freightliner Cross Reference No: KYS 407294	<b>B407294</b>
10 1/2" (266.7mm)	10 1/2" (266.7mm)	5/8" (16mm)	Poly-Flo Polyester (Blue)	Fire retardant air filter	International Cross Reference No: ZGG720011, Mack Cross Reference No: 7787-525784, Freightliner Cross Reference No: RDH RD5 10593 0	<b>525784</b>
10 5/8" (269.9mm)	10 5/8" (269.9mm)	1" (25.4mm)	-	Pleated air filter	Freightliner Cross Reference No: VCC T1000921S	<b>1000331105</b>
10 13/16" (275mm)	8 1/8" (206mm)	13/16" (20mm)	Foam	Reticulated air filter with Biocide in Frame	Peterbilt Cross Reference No: 18-04345	<b>1000220149</b>
10 13/16" (275mm)	11 13/16" (300mm)	1/2" (12.7mm)	Poly-Flo Polyester (Blue)	Washable air filter with fire retardant	International Cross Reference No: 1696834C1 Freightliner Cross Reference No: BSM 327380	<b>525403</b>
11" (279.4mm)	4 1/8" (105mm)	1/2" (12.7mm)	Black Polyurethane Foam	Recirculated air filter	-	<b>525777</b>
11 1/8" (283.2mm)	10" (254mm)	1/4" (6.4mm)	-	Aluminum frame; expanded aluminum pad	International Cross Reference No: 2211904C1	<b>B407364</b>
11 3/16" (285mm)	17 1/2" (444mm)	1/4" (6.4mm)	-	Aluminum frame; expanded aluminum pad	-	<b>526354</b>
11 3/4" (298.4mm)	6" (152mm)	1 1/2" (38.1mm)	Polyurethane Foam	Frame	-	<b>B407359</b>
11 7/8" (301mm)	10 1/8" (257mm)	1/4" (6.4mm)	-	Aluminum frame; expanded aluminum pad	-	<b>526404</b>
11 15/16" (303mm)	3" (76mm)	1" (25.4mm)	-	Pleated air filter	-	<b>1000012572</b>

AIR FILTERS



## Air Filter Specifications

2

## Air Filter Specifications

Length	Height	Width	Material	Description	Application	Part No
12" (304.8mm)	12 5/16" (311.9mm)	1 1/8" (28.6mm)	-	Pleated air filter	Volvo Cross Reference No: 20435801	<b>1000883432</b>
12 1/16" (305mm)	3 1/8" (79mm)	1" (25.4mm)	Poly Fiber Bonded	Flame retardant binder	-	<b>534510</b>
12 1/32" (305.5mm)	8 3/16" (223.8mm)	11/32" (8.6mm)	-	Aluminum frame; expanded aluminum pad	-	<b>1001369275</b>
12 1/8" (308.4mm)	8 1/4" (209.6mm)	1/4" (6.4mm)	-	Aluminum frame; expanded aluminum pad	Freightliner Cross Reference No: BSM 526431	<b>526431</b>
12 1/4" (311.5mm)	10 1/4" (260mm)	1/4" (6.4mm)	-	Aluminum frame; expanded aluminum pad	Volvo Cross Reference No: 85101010, Freightliner Cross Reference No: BSM 525458	<b>525458</b>
12 3/8" (314mm)	6 1/4" (158.5mm)	1 1/8" (28.6mm)	-	Pleated polyester filter	International Cross Reference No: 3839141C1	<b>1000841699</b>
12 7/16" (316mm)	7 3/8" (187mm)	3/8" (9.5mm)	Polyether		-	<b>1001306141</b>
12 7/16" (316mm)	6" (152mm)	1/4" (6.4mm)	-	Recirculated air filter; Aluminum frame; expanded aluminum pad	Freightliner Cross Reference No: BSM 525801	<b>525801</b>
12 7/16" (316mm)	7 3/8" (187mm)	1/2" (12.7mm)	Poly-Flo Polyester (Blue)	Washable air filter with fire retardant	International Cross Reference No: 3685805C1, Freightliner Cross Reference No: BSM 1000004716	<b>1000004716</b>
12 1/2" (317.5mm)	13 1/2" (343mm)	1" (25.4mm)	Poly fibers bonded	Washable air filter with flame retardant binder	International Cross Reference No: 498144C1, Volvo Cross Reference No: BSM626007	<b>520217</b>
12 5/8" (320mm)	8 3/4" (223mm)	5/8" (16mm)	-	Recirculated air filter	Peterbilt Cross Reference No: 5S013817	<b>1000206466</b>
12 3/4" (323mm)	7 1/4" (185mm)	1" (25.4mm)	-	Pleated air filter	International Cross Reference No: 2506656C2	<b>1000841164</b>
12 7/8" (327.2mm)	12 7/8" (327.2mm)	1/2" (12.7mm)	-	Aluminum frame	Freightliner Cross Reference No: KYS 407234	<b>B407234</b>
12 15/16" (329mm)	12 3/4" (324mm)	1/2" (12.7mm)	Black Filter Foam	Fire retardant air filter	Volvo Cross Reference No: BSM525600, Freightliner Cross Reference No: BSM 525600	<b>525600</b>
12 15/16" (329mm)	12 3/4" (324mm)	5/8" (16mm)	Poly-Flo Polyester (Blue)	Fire retardant air filter	Freightliner Cross Reference No: BSM 526427	<b>526427</b>
13 7/16" (340.4mm)	10" (254mm)	7/8" (23mm)	Foam Pad	Aluminum frame; expanded aluminum	-	<b>525507</b>
13 11/16" (348mm)	10 13/16" (275mm)	1/4" (6.4mm)	-	Aluminum frame; expanded aluminum pad	International Cross Reference No: 446637001	<b>525828</b>
13 3/4" (349.3mm)	10" (254mm)	1" (25.4mm)	Poly-Flo Polyester (Blue)	Fire retardant air filter	Peterbilt Cross Reference No: 525838	<b>525838</b>
14" (355.6mm)	11" (279.4mm)	1/16" (2mm)	-	Aluminum frame; expanded aluminum pad	Freightliner Cross Reference No: BSM 540900	<b>540900</b>
14 13/16" (377mm)	5" (127mm)	1/2" (12.7mm)	Foam	Air filter	-	<b>520097</b>
15" (381mm)	3 1/4" (82.6mm)	5/16" (7.9mm)	Foam pad	Recirculated air filter; Tin plated steel frame; expanded aluminum	-	<b>B407372</b>
15" (381mm)	15" (381mm)	2 3/16" (55.5mm)	-	Pleated with Frame	-	<b>B407162</b>
15 1/8" (384.2mm)	10 3/4" (273mm)	1" (25.4mm)	-	Pleated with frame	International Cross Reference No: 480836C1, Volvo Cross Reference No: BSM626006	<b>530633</b>
16 7/16" (418mm)	14" (355.5mm)	1/2" (12.7mm)	-	Aluminum frame; expanded aluminum pad	Freightliner Cross Reference No: BSM 525836	<b>525836</b>
16 7/16" (418mm)	16 11/16" (423.8mm)	1/4" (6.4mm)	-	Aluminum frame; expanded aluminum pad	International Cross Reference No: 2509228C1	<b>525864</b>
16 5/8" (422.2mm)	10 3/8" (263.5mm)	1/4" (6.4mm)	-	Aluminum frame; expanded aluminum pad	International Cross Reference No: 437528001	<b>B407367</b>
17 3/4" (450.9mm)	6 1/2" (165.1mm)	1/2" (12.7mm)	-	Plastic frame	-	<b>B407387</b>
18 3/8" (467.1mm)	4 1/8" (105mm)	3/8" (10mm)	-	Aluminum frame; expanded aluminum pad	-	<b>1000735599</b>
18 13/16" (427.5mm)	3 5/8" (92.5mm)	3/8" (10mm)	-	Recirculated air filter	-	<b>1000371990</b>



800.499.6849 • shop.bergstrominc.com

363

AIR FILTERS



## 2

## Air Filter Specifications

## Air Filter Specifications

Length	Height	Width	Material	Description	Application	Part No
19 1/4" (489mm)	8" (203.2mm)	5/16" (7.9mm)	-	Aluminum frame; expanded aluminum pad	-	1000201343
19 1/4" (489mm)	10 7/8" (275.5mm)	1/2" (12.7mm)	Polyurethane Black Foam	Aluminum housing	-	525776
20" (508mm)	6 5/16" (160mm)	1/2" (12.7mm)	Foam		Volvo Cross Reference No: 37351	B407176
20 1/8" (511.8mm)	10" (254mm)	1/4" (6.4mm)	-	Aluminum frame; expanded aluminum pad	International Cross Reference No: 2211903C1	B407365
21" (533.4mm)	9 1/4" (235mm)	1/4" (6.4mm)	-	Aluminum frame; expanded aluminum pad	-	584210
22 1/8" (562mm)	10 1/8" (257mm)	1/4" (6.4mm)	-	Aluminum frame; expanded aluminum pad	-	526403
22 1/4" (565.2mm)	4 5/8" (11.3mm)	7/16" (11.2mm)	Black Filter Foam	Fire retardant w/Plastic Screen, -Sided	-	B407368
22 7/16" (570.6mm)	5 29/32" (150mm)	5/16" (7.9mm)	-	Air Filter Cover	-	B517964
22 9/16" (572.5mm)	10 1/4" (260mm)	1/4" (6.4mm)	-	Aluminum frame; expanded aluminum pad	Volvo Cross Reference No: 85101009	525459
23" (584mm)	10 5/8" (269.9mm)	1/2" (12.7mm)	Poly-Flo Polyester (Blue)	Recirculated air filter with fire retardant	International Cross Reference No: 2607912C1	1000257387
23 1/4" (591mm)	10 5/8" (269.9mm)	1/4" (6.4mm)	-	Aluminum frame; expanded aluminum pad	International Cross Reference No: 2507220C1	525893
23 1/4" (591mm)	10 5/8" (269.9mm)	1/2" (12.7mm)	Poly-Flo Polyester (Blue)	Recirculated air filter with fire retardant	International Cross Reference No: 2585992C1	526398
23 1/2" (596.9mm)	5" (127mm)	1/4" (6.4mm)	-	Recirculated air filter; Aluminum frame; expanded aluminum pad	-	525636
24" (609.6mm)	10" (254mm)	7/16" (11.2mm)	Black Filter Foam	Fire retardant air filter	-	B407358
37 13/16" (960mm)	5 29/32" (150mm)	5/16" (7.9mm)	-	Aluminum frame; expanded aluminum pad	-	1001444351
28" (711.2mm)	7 1/2" (190.5mm)	2 3/16" (55.5mm)	Cellulose Pad	Aluminum frame; expanded aluminum	-	B407340
28 5/16" (719mm)	8" (203.2mm)	5/8" (16mm)	Poly-Flo Polyester (Blue)	Fire retardant air filter	-	526426
28 5/16" (719mm)	8 3/4" (223mm)	1/2" (12.7mm)	Poly-Flo Polyester (Blue)	Recirculated air filter with fire retardant	-	1000137119
28 1/2" (724mm)	8 1/4" (209.6mm)	1/4" (6.4mm)	-	Aluminum frame; expanded aluminum pad	-	582790
28 1/2" (724mm)	7 1/16" (180mm)	1/4" (6.4mm)	-	Recirculated air filter; Aluminum frame; expanded aluminum pad	Volvo Cross Reference No: 85101005	525313
36 3/8" (923mm)	6 1/4" (158mm)	5/16" (7.9mm)	-	Aluminum frame; expanded aluminum pad	-	1001346384

AIR FILTERS



# Air Filter Specifications

**Part No: 520097**



Length: 14 13/16" (377mm)
Width: 1/2" (12.7mm)
Height: 5" (127mm)
Material: Foam
General Specifications: Air filter

**Part No: 520217**



Length: 12 1/2" (317.5mm)
Width: 1" (25.4mm)
Height: 13 1/2" (343mm)
Material: Poly Fibers Bonded
General Specifications: Washable air filter w/ flame retardant binder
International Cross Reference No.: 498144C1
Volvo Cross Reference No.: BSM626007

**Part No: 525249**



Length: 9 1/4" (234mm)
Width: 1/2" (12.7mm)
Height: 10 1/2" (266.7mm)
Material: Poly Fibers Bonded
General Specifications: Washable air filter w/ flame retardant binder
International Cross Reference No.: 481813C1
Volvo Cross Reference No.: BSM626005

**Part No: 525313**  
Catalog No: 3199045



Length: 28 1/2" (724mm)
Width: 1/4" (6.4mm)
Height: 7 1/16" (180mm)
General Specifications: Aluminum frame; expanded aluminum pad / recirculated air filter
Volvo Cross Reference No.: 85101005

**Part No: 525403**



Length: 10 13/16" (274.6mm)
Width: 1/2" (12.7mm)
Height: 11 13/16" (300mm)
Material: Poly-Flo Polyester (Blue)
General Specifications: Washable air filter w/ fire retardant
International Cross Reference No.: 1696834C1
Freightliner OEM Cross Reference No.: BSM 327380

**Part No: 525406**



Length: 8 3/4" (222mm)
Width: 1/4" (6.4mm)
Height: 7 7/8" (199.5mm)
General Specifications: Recirculated air filter; Aluminum frame; expanded aluminum pad
Volvo Cross Reference No.: 85101012
Freightliner OEM Cross Reference No.: BSM 525406

**Part No: 525458**



Length: 12 1/4" (311.2mm)
Width: 1/4" (6.4mm)
Height: 10 1/4" (260mm)
General Specifications: Aluminum frame; expanded aluminum pad
Volvo Cross Reference No.: 85101010
Freightliner OEM Cross Reference No.: BSM 525458

**Part No: 525459**



Length: 22 9/16" (572.5mm)
Width: 1/4" (6.4mm)
Height: 10 1/4" (260mm)
General Specifications: Aluminum frame; expanded aluminum pad
Volvo Cross Reference No.: 85101009

**Part No: 525460**



Length: 8 15/16" (226mm)
Width: 5/16" (7.9mm)
Height: 9" (228.6mm)
General Specifications: Aluminum frame; expanded aluminum pad
Volvo Cross Reference No.: 85101011
Freightliner OEM Cross Reference No.: 65-00193-00

AIR FILTERS



2

**Air Filter Specifications**

**Part No: 525507**



Length: 13 7/16" (340.4mm)  
 Width: 7/8" (23mm)  
 Height: 10" (254mm)  
 General Specifications: aluminum frame; expanded aluminum / foam pad

**Part No: 525543**



Length: 10" (254mm)  
 Width: 1/2" (12.7mm)  
 Height: 13 11/16" (347mm)  
 Material: Poly Fibers Bonded  
 General Specifications: Washable air filter w/ flame retardant binder  
 International Cross Reference No.: 1699956C1  
 Volvo Cross Reference No.: BSM626008  
 Freightliner OEM Cross Reference No.: RDH RD5 10775 0

**Part No: 525600**



Length: 12 15/16" (329mm)  
 Width: 1/2" (12.7mm)  
 Height: 12 3/4" (324mm)  
 Material: Black Filter Foam  
 General Specifications: Fire retardant air filter  
 Volvo Cross Reference No.: BSM525600  
 Freightliner OEM Cross Reference No.: BSM 525600

**Part No: 525636**




Length: 23 1/2" (596.9mm)  
 Width: 1/4" (6.4mm)  
 Height: 5" (127mm)  
 General Specifications: Recirculated air filter; Aluminum frame; expanded aluminum pad

**Part No: 525776**



Length: 19 1/4" (489mm)  
 Width: 1/2" (12.7mm)  
 Height: 10 7/8" (275.5mm)  
 Material: Polyurethane Black Foam  
 General Specifications: Aluminum housing

**Part No: 525777**



Length: 11" (279.4mm)  
 Width: 1/2" (12.7mm)  
 Height: 4 1/8" (105mm)  
 Material: Black Polyurethane Foam  
 General Specifications: Recirculated air filter

**Part No: 525784**



Length: 10 1/2" (266.7mm)  
 Width: 5/8" (16mm)  
 Height: 10 1/2" (266.7mm)  
 Material: Poly-Flo Polyester (Blue)  
 General Specifications: Fire retardant air filter  
 Mack Cross Reference No.: 7787-525784  
 Freightliner OEM Cross Reference No.: RDH RD5 10593 0

**Part No: 525801**



Length: 12 7/16" (316mm)  
 Width: 1/4" (6.4mm)  
 Height: 6" (152mm)  
 General Specifications: Recirculated air filter; Aluminum frame; expanded aluminum pad  
 Freightliner OEM Cross Reference No.: BSM 525801

**Part No: 525828**



Length: 13 11/16" (348mm)  
 Width: 1/4" (6.4mm)  
 Height: 10 13/16" (275mm)  
 General Specifications: Aluminum frame; expanded aluminum pad  
 International Cross Reference No.: 446637001

AIR FILTERS



# Air Filter Specifications

**Part No: 525836**



Length: 16 7/16" (418mm)
Width: 1/2" (12.7mm)
Height: 14" (355.5mm)
General Specifications: Aluminum frame; expanded aluminum pad
Freightliner OEM Cross Reference No.: BSM 525836

**Part No: 525838**



Length: 13 3/4" (349.3mm)
Width: 1" (25.4mm)
Height: 10" (254mm)
Material: Poly-Flo Polyester (Blue)
General Specifications: Fire retardant air filter
Peterbilt Cross Reference No.: 525838

**Part No: 525864**



Length: 16 7/16" (418mm)
Width: 1/4" (6.4mm)
Height: 16 11/16" (423.8mm)
General Specifications: Aluminum frame; expanded aluminum pad
International Cross Reference No.: 2509228C1

**Part No: 525893**



Length: 23 1/4" (591mm)
Width: 1/4" (6.4mm)
Height: 10 5/8" (270mm)
General Specifications: Aluminum frame; expanded aluminum pad
International Cross Reference No.: 2507220C1

**Part No: 526354**



Length: 11 3/16" (285mm)
Width: 1/4" (6.4mm)
Height: 17 1/2" (444mm)
General Specifications: Aluminum frame; expanded aluminum pad

**Part No: 526398**



Length: 23 1/4" (591mm)
Width: 1/2" (12.7mm)
Height: 10 5/8" (270mm)
Material: Poly-Flo Polyester (Blue)
General Specifications: Recirculated air filter w/ fire retardant
International Cross Reference No.: 2585992C1

**Part No: 526403**



Length: 22 1/8" (562mm)
Width: 1/4" (6.4mm)
Height: 10 1/8" (257mm)
General Specifications: Aluminum frame; expanded aluminum pad

**Part No: 526404**



Length: 11 7/8" (301.6mm)
Width: 1/4" (6.4mm)
Height: 10 1/8" (257mm)
General Specifications: Aluminum frame; expanded aluminum pad

**Part No: 526407**



Length: 7 13/16" (198.5mm)
Width: 3/4" (19.1mm)
Height: 6 3/16" (157mm)
Material: Fiber
General Specifications: Cabin air filter
Freightliner OEM Cross Reference No.: N10G-91595

AIR FILTERS



800.499.6849 • shop.bergstrominc.com

2

**Air Filter Specifications**

**Part No: 526426**



Length: 28 5/16" (719mm)
Width: 5/8" (16mm)
Height: 8" (203.2mm)
Material: Poly-Flo Polyester (Blue)
General Specifications: Fire retardant air filter

**Part No: 526427**



Length: 12 15/16" (329mm)
Width: 5/8" (16mm)
Height: 12 3/4" (324mm)
Material: Poly-Flo Polyester (Blue)
General Specifications: Fire retardant air filter
Freightliner OEM Cross Reference No.: BSM 526427

**Part No: 526431**



Length: 12 1/8" (308.4mm)
Width: 1/4" (6.4mm)
Height: 8 1/4" (209.6mm)
General Specifications: Aluminum frame; expanded aluminum pad
Freightliner OEM Cross Reference No.: BSM 526431

**Part No: 526477**



Length: 8 5/8" (219mm)
Width: 1/4" (6.4mm)
Height: 8 3/8" (212.9mm)
General Specifications: Aluminum frame; expanded aluminum pad
Freightliner OEM Cross Reference No.: 22-62199-000

**Part No: 530631**



Length: 8 5/8" (219mm)
Width: 3/4" (19.1mm)
Height: 7 5/8" (193.7mm)
Material: Fiber
General Specifications: Cabin air filter

**Part No: 530633**



Length: 15 1/8" (384.2mm)
Width: 1" (25.4mm)
Height: 10 3/4" (273mm)
General Specifications: Pleated with Frame
International Cross Reference No.: 480836C1
Volvo Cross Reference No.: BSM626006

**Part No: 534510**



Length: 12 1/16" (306.4mm)
Width: 1" (25.4mm)
Height: 3 1/8" (79mm)
Material: Poly Fibers Bonded
General Specifications: Flame retardant binder

**Part No: 540900**



Length: 14" (355.6mm)
Width: 1/16" (2mm)
Height: 11" (279.4mm)
General Specifications: Aluminum frame; expanded aluminum pad
Freightliner OEM Cross Reference No.: BSM 540900

**Part No: 582790**



Length: 28 1/2" (724mm)
Width: 1/4" (6.4mm)
Height: 8 1/4" (209.6mm)
General Specifications: Aluminum frame; expanded aluminum pad

AIR FILTERS





# Air Filter Specifications

**Part No: 584210**



Length: 21" (533.4mm)
Width: 1/4" (6.4mm)
Height: 9 1/4" (235mm)
General Specifications: Aluminum frame; expanded aluminum pad

**Part No: 100004716**



Length: 12 7/16" (316mm)
Width: 1/2" (12.7mm)
Height: 7 3/8" (187mm)
Material: Poly-Flo Polyester (Blue)
General Specifications: Washable air filter w/ fire retardant
International Cross Reference No.: 3685805C1
Freightliner OEM Cross Reference No.: BSM 100004716

**Part No: 1000012572**



Length: 11 15/16" (303.2mm)
Width: 1" (25.4mm)
Height: 3" (76.2mm)
General Specifications: Pleated

**Part No: 1000039637**




Length: 8 5/8" (219mm)
Width: 1" (25.4mm)
Height: 8 1/4" (209.6mm)
General Specifications: Pleated cab air filter
Freightliner OEM Cross Reference No.: ABP N10G 36000006

**Part No: 1000103887**



Length: 6 15/16" (175.3mm)
Width: 1/2" (12.7mm)
Height: 4 1/8" (105mm)
Material: Polyester fiber bonded (blue)
General Specifications: Fire retardant binder
International Cross Reference No.: 3839326C1

**Part No: 1000137119**



Length: 28 5/16" (719mm)
Width: 1/2" (12.7mm)
Height: 8 3/4" (222.3mm)
Material: Poly-Flo Polyester (Blue)
General Specifications: Recirculated air filter w/ fire retardant

**Part No: 1000183201**



Length: 8 7/16" (214mm)
Width: 1/2" (12.7mm)
Height: 10 1/16" (256mm)
Material: Fiber
General Specifications: Cabin air filter
Volvo Cross Reference No.: BSM1000183201
Mack Cross Reference No.: 7787-1000183201
Freightliner OEM Cross Reference No.: BSM 1000183201

**Part No: 1000186314**



Length: 9 3/16" (233mm)
Width: 5/8" (16mm)
Height: 9 3/16" (233mm)
Material: Poly-Flo Polyester (Blue)
General Specifications: Fire retardant air filter
Freightliner OEM Cross Reference No.: BSM 1000186314

**Part No: 1000201343**



Length: 19 1/4" (489mm)
Width: 5/16" (7.9mm)
Height: 8" (203.2mm)
General Specifications: Aluminum frame; expanded aluminum pad

AIR FILTERS



2

**Air Filter Specifications**

**Part No: 1000206466**



Length: 12 5/8" (320mm)
Width: 5/8" (16mm)
Height: 8 3/4" (222.3mm)
General Specifications: Recirculated air filter
Peterbilt Cross Reference No.: 5S013817

**Part No: 1000207216**



Length: 10" (254mm)
Width: 7/8" (23mm)
Height: 7 15/16" (202mm)
General Specifications: Pleated LC
Peterbilt Cross Reference No.: 5S014010

**Part No: 1000220149**



Length: 10 13/16" (274.6mm)
Width: 13/16" (20mm)
Height: 8 1/8" (206mm)
Material: Foam
General Specifications: Recirculated filter with Biocide in Frame
Peterbilt Cross Reference No.: 18-04345

**Part No: 1000257387**



Length: 23" (584mm)
Width: 1/2" (12.7mm)
Height: 10 5/8" (270mm)
Material: Poly-Flo Polyester (Blue)
General Specifications: Recirculated air filter w/ fire retardant
International Cross Reference No.: 2607912C1

**Part No: 1000331105**



Length: 10 5/8" (269.9mm)
Width: 1" (25.4mm)
Height: 10 5/8" (270mm)
General Specifications: Pleated
Freightliner OEM Cross Reference No.: VCC T1000921S

**Part No: 1000371990**



Length: 16 13/16" (422mm)
Width: 3/8" (10mm)
Height: 3 5/8" (92.5mm)
General Specifications: Recirculated air filter

**Part No: 1000735599**



Length: 18 3/8" (467.1mm)
Width: 3/8" (10mm)
Height: 4 1/8" (105mm)
General Specifications: Aluminum frame; expanded aluminum pad

**Part No: 1000841164**



Length: 12 3/4" (323mm)
Width: 1" (25.4mm)
Height: 7 1/4" (185mm)
General Specifications: Pleated
International Cross Reference No.: 2506656C1

**Part No: 1000841699**



Length: 12 3/8" (314mm)
Width: 1 1/8" (28.6mm)
Height: 6 1/4" (158.5mm)
Material: Polyester
General Specifications: Pleated filter
International Cross Reference No.: 3839141C1

AIR FILTERS



## Air Filter Specifications

2

**Part No: 1000883432**



Length: 12" (304.8mm)
Width: 1 1/8" (28.6mm)
Height: 12 5/16" (311.9mm)
General Specifications: Pleated
Volvo Cross Reference No.: 20435801

**Part No: 1001272970**



Length: 10" (254mm)
Width: 1" (25.4mm)
Height: 9 13/16" (249mm)
Material: Poly-Flo Polyester
General Specifications: Flame retardant air filter
Mack Cross Reference No.: 3543-H9638

**Part No: 1001306141**



Length: 12 7/16" (316mm)
Width: 3/8" (9.5mm)
Height: 7 3/8" (187mm)
Material: Polyether

**Part No: 1001346384**



Length: 36 3/8" (923mm)
Width: 5/16" (7.9mm)
Height: 6 1/4" (158mm)
General Specifications: Aluminum frame; expanded aluminum pad

**Part No: 1001369275**



Length: 12 1/32" (305.5mm)
Width: 11/32" (8.6mm)
Height: 8 13/16" (223.8mm)
General Specifications: Aluminum frame; expanded aluminum pad

**Part No: 1001444351**



Length: 37 13/16" (960mm)
Width: 5/16" (7.9mm)
Height: 5 29/32" (150mm)
General Specifications: Aluminum frame; expanded aluminum pad

**Part No: B407162**



Length: 15" (381mm)
Width: 2 3/16" (55.5mm)
Height: 15" (381mm)
General Specifications: Pleated with Frame

**Part No: B407176**



Length: 20" (508mm)
Width: 1/2" (12.7mm)
Height: 6 5/16" (160mm)
Material: Foam
Volvo Cross Reference No.: 37351

**Part No: B407234**



Length: 12 7/8" (327.2mm)
Width: 1/2" (12.7mm)
Height: 12 7/8" (327.2mm)
General Specifications: Aluminum frame
Freightliner OEM Cross Reference No.: KYS 407234

AIR FILTERS



**2**

**Air Filter Specifications**

**Part No: B407294**



Length: 10" (254mm)
Width: 2 3/16" (55.5mm)
Height: 8 15/16" (227.1mm)
General Specifications: Pleated with Frame
Freightliner OEM Cross Reference No.: KYS 407294

**Part No: B407340**



Length: 28" (711.2mm)
Width: 2 3/16" (55.5mm)
Height: 7 1/2" (190.5mm)
Material: Cellulose Pad
General Specifications: Aluminum frame w/expanded aluminum

**Part No: B407358**



Length: 24" (609.6mm)
Width: 7/16" (11.2mm)
Height: 10" (254mm)
Material: Black Filter Foam
General Specifications: Fire retardant air filter

**Part No: B407359**



Length: 11 3/4" (298.5mm)
Width: 1 1/2" (38.1mm)
Height: 6" (152mm)
Material: Polyurethane Foam
General Specifications: Frame

**Part No: B407364**



Length: 11 1/8" (282.6mm)
Width: 1/4" (6.4mm)
Height: 10" (254mm)
General Specifications: Aluminum frame; expanded aluminum pad
International Cross Reference No.: 2211904C1

**Part No: B407365**



Length: 20 1/8" (511.8mm)
Width: 1/4" (6.4mm)
Height: 10" (254mm)
General Specifications: Aluminum frame; expanded aluminum pad
International Cross Reference No.: 2211903C1

**Part No: B407367**



Length: 16 5/8" (422.2mm)
Width: 1/4" (6.4mm)
Height: 10 3/8" (263.5mm)
General Specifications: Aluminum frame; expanded aluminum pad
International Cross Reference No.: 437528001

**Part No: B407368**



Length: 22 1/4" (565.2mm)
Width: 7/16" (11.2mm)
Height: 4 5/8" (117.3mm)
Material: Black Filter Foam
General Specifications: Fire Retardant w/Plastic Scree 1-sided

**Part No: B407371**



Length: 4 1/4" (108mm)
Width: 1/4" (6.4mm)
Height: 4" (101.6mm)

AIR FILTERS



## Air Filter Specifications

2

**Part No: B407372**



Length: 15" (381mm)

Width: 5/16" (7.9mm)

Height: 3. 1/4" (82.6mm)

Material: Foam

General Specifications: Recirculated air filter; Tin plated steel frame; expanded aluminum

**Part No: B407387**



Length: 17 3/4" (450.9mm)

Width: 1/2" (12.7mm)

Height: 6 1/2" (165.1mm)

General Specifications: Plastic frame

**Part No: B416998**



Length: 8 1/2" (215.9mm)

Width: 2 3/16" (55.5mm)

Height: 14 1/4" (362mm)

General Specifications: Air filter side kit option

Volvo Cross Reference No.: BSM626001

**Part No: B517964**



Length: 22 7/16" (570.6mm)

Width: 5/16" (7.9mm)

Height: 5 29/32" (150mm)

General Specifications: Air Filter Cover

AIR FILTERS







Air Conditioning & Heating  
Replacement Parts

# Louvers

- Rectangle Louvers 376
- Round Louvers 377



2

LOUVERS



BUS

Call: 800.499.6849 for Technical Assistance  
 Availability of the products shown in this reference guide is subject to change without notice by Bergstrom, Inc.  
 For the most current product information please visit the Bergstrom Distributor website at <https://shop.bergstrominc.com/>.

2

Rectangle Louvers

**Part No: 500088**



Length: 5 55/64" (148.8mm)  
 Height: 3 13/16" (96.8mm)  
 Mounting Length: 5 5/16" (134.62mm)  
 Mounting Height: 2 29/32" (73.66mm)

**Part No: 500091**



Length: 3 31/64" (88.4mm)  
 Height: 2 21/32" (67.2mm)

**Part No: 500105**



Length: 7 7/8" (200mm)  
 Height: 3 13/16" (97mm)  
 Mounting Length: 7 11/32" (186.4mm)  
 Mounting Height: 2 55/64" (72.4mm)

**Part No: 550404**



Length: 3 1/2" (88.9mm)  
 Mounting Diameter: 3" x 1 3/4"

**Part No: 585520**



Length: 7 11/16" (195.33mm)  
 Height: 3 1/4" (82.55mm)  
 Mounting Length: 7 13/32" (188.1124mm)  
 Mounting Height: 2 25/32" (70.6374mm)

**Part No: 588060**



Length: 5 7/16" (138.18mm)  
 Height: 2 5/32" (54.864mm)  
 Mounting Length: 5 3/16" (131.572mm)  
 Mounting Height: 1 21/64" (33.02mm)

**Part No: 748040**



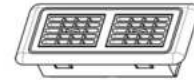
Length: 5 49/64" (146.3mm)  
 Height: 2 1/16" (52.2mm)  
 Mounting Length: 5 5/8" (142.75mm)  
 Mounting Height: 1 31/32" (49.9mm)

**Part No: 869048**



Length: 7 17/64" (184.6mm)  
 Height: 3 5/64" (78mm)  
 Mounting Length: 6 25/32" (172.2mm)  
 Mounting Height: 3 1/32" (77mm)

**Part No: 1000370193**



Length: 6 59/64" (175.82mm)  
 Mounting Length: 5 11/32" (135.73mm)

**Part No: 1002598077**



Length: 7 3/4" (196.6mm)  
 Height: 3 5/8" (92.5mm)  
 Mounting Length: 7 3/16" (182.6mm)  
 Mounting Height: 3 1/8" (79.3mm)

**Part No: B360289**



Length: 9 59/64" (251.97mm)  
 Height: 3 15/16" (100.08mm)  
 Mounting Length: 9" (228.35mm)  
 Mounting Height: 2 31/32" (75.18mm)

**Part No: B360348**



Length: 7 45/64" (195.58mm)  
 Height: 3 1/4" (82.55mm)  
 Mounting Length: 7 7/64" (180.59mm)  
 Mounting Height: 2" (50.8mm)

LOUVERS





## Round Louvers

2

**Part No: B360400**



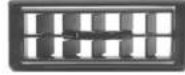
Length: 3 29/32" (99.06mm)
Height: 1 39/64" (40.64mm)
Mounting Length: 3 23/64" (85.32876mm)
Mounting Height: 1 3/4" (44.45mm)

**Part No: B360561**



Length: 5 3/8" (136.525mm)
Height: 2 5/32" (54.77002mm)
Mounting Length: 4 3/4" (120.65mm)
Mounting Height: 2" (50.8mm)

**Part No: B360754**



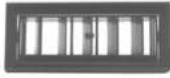
Length: 5 7/16" (138.11mm)
Height: 2 3/16" (55.5625mm)
Mounting Length: 5" (127mm)
Mounting Height: 1 3/4" (44.45mm)

**Part No: B360761**



Length: 5 3/8" (136.65mm)
Height: 2 5/32" (54.864mm)
Mounting Length: 4 25/32" (4.78mm)
Mounting Height: 1 15/16" (1.94mm)

**Part No: B360769**



Length: 5 3/8" (136.53mm)
Height: 2 3/8" (60.325mm)
Mounting Length: 5 1/8" (130.175mm)
Mounting Height: 1 7/8" (47.625mm)

**Part No: B360850**



Length: 7 3/4" (196.6mm)
Height: 6 9/16" (166.37mm)
Mounting Length: 7" (178.1mm)
Mounting Height: 5 11/16" (144mm)

**Part No: B360924**



Length: 5 5/8" (142.9mm)
Height: 2 7/16" (62.2mm)
Mounting Length: 5 3/16" (131.8mm)
Mounting Height: 1 3/16" (31.1mm)

**Part No: 530006**



Diameter: 3 15/16" (100mm)
Mounting Diameter: 3" (76.2mm)

**Part No: 530747**



Diameter: 4 19/32" (116.67mm)
Mounting Diameter: 3 21/64" (84.58mm)

**Part No: 586970**



Diameter: 2 21/32" (67.6mm)
Mounting Diameter: 2" (50.8mm)

LOUVERS



800.499.6849 • shop.bergstrominc.com

2

Round Louvers

<p><b>Part No: 808810</b></p>  <p>Diameter: 3 3/4" (95.25mm) Mounting Diameter: 3 3/8" (85.55mm)</p>	<p><b>Part No: 1000724685</b></p>  <p>Diameter: 2 11/16" (68.3mm)</p>	<p><b>Part No: B170145</b></p>  <p>Diameter: 3 5/8" (92.075mm) Mounting Diameter: 3 5/16" (84.582mm)</p>
<p><b>Part No: B360104</b></p>  <p>Diameter: 3 41/64" (3.64mm) Mounting Diameter: 3 19/64" (83.82mm)</p>	<p><b>Part No: B360151</b></p>  <p>Diameter: 2 1/4" (57.15mm) Mounting Diameter: 2" (50.8mm)</p>	<p><b>Part No: B360157</b></p>  <p>Diameter: 4 25/32" (121.41mm) Mounting Diameter: 4 19/32" (116.59mm)</p>
<p><b>Part No: B360224</b></p>  <p>Diameter: 2 3/4" (69.9mm) Mounting Diameter: 2 1/2" (63.5mm)</p>	<p><b>Part No: B360448</b></p>  <p>Diameter: 2 3/4" (69.9mm) Mounting Diameter: 2 1/2" (63.5mm)</p>	<p><b>Part No: B360478</b></p>  <p>Diameter: 2 3/4" (69.9mm) Mounting Diameter: 2 1/2" (63.5mm)</p>
<p><b>Part No: B360584</b></p>  <p>Diameter: 3 1/4" (82.55mm) Mounting Diameter: 2 1/2" (63.5mm)</p>	<p><b>Part No: B360585</b></p>  <p>Diameter: 4 27/64" (112.27mm) Mounting Diameter: 3 11/32" (84.84mm)</p>	<p><b>Part No: B360593</b></p>  <p>Diameter: 3 1/4" (82.55mm) Mounting Diameter: 3" (76.2mm)</p>

LOUVERS



## Round Louvers

2

**Part No: B360649**



Diameter: 2 45/64" (68.58mm)  
Mounting Diameter: 2 1/2" (63.5mm)

**Part No: B360783**



Diameter: 2 3/4" (2.75mm)  
Mounting Diameter: 2 1/2" (63.5mm)

**Part No: B360715**



Diameter: 3 15/16" (3.93mm)  
Mounting Diameter: 2 45/64" (68.58mm)

**Part No: B360833**



Diameter: 2 7/64" (53.6mm)  
Mounting Diameter: 1 7/8" (47.5mm)

**Part No: B360880**



Diameter: 3 15/16" (3.93mm)  
Mounting Diameter: 2 15/16" (74.676mm)

**Part No: E525076**



Diameter: 3 13/32" (86.5mm)  
Mounting Diameter: 3 17/64" (83mm)

LOUVERS







*Air Conditioning & Heating  
Replacement Parts*

## Bus Products

### Blue Bird OEM Bus Cross Reference

	<b>382</b>
Air Filters	382
Blower Motors	382
Blower Wheels	382
Booster Pumps	382
Evaporators and Heater Coils	383
Expansion Valves	383
Fans and Fan Blades	383
Fittings & Hoses	383
Knobs	383
Louvers	383
Receiver Driers	384
Resistors and Relays	384
Switches and Actuators	384
Tools & Accessories	384
Water Valves	384

### IC Corp OEM Bus Cross Reference

	<b>386</b>
Air Filters	386
Blower Motors	386
Blower Wheels	386
Booster Pumps	386
Cables	387
Fans and Fan Blades	387
Fittings & Hoses	387
Heater Assemblies	387
Knobs	387
Louvers	387
Resistors and Relays	387
Switches and Actuators	388
Tools & Accessories	388
Water Valves	388

### Air Conditioning & Heating Products for Buses

#### Miscellaneous OEM Bus Cross Reference

	<b>389</b>
Air Filters	389
Blower Motors	389
Blower Wheels	389
Booster Pumps	389
Cables and Controls	389
Condenser Coils	389
Fans and Fan Blades	389
Expansion Valves and Orifice Tube	389
Knobs	391
Louvers	391
Receiver Driers	391
Resistors and Relays	392
Switches and Actuators	392
Water Valves	392

#### Thomas Built OEM Bus Cross Reference

	<b>393</b>
Air Filters	393
Blower Motors	393
Blower Wheels	394
Booster Pumps	394
Cables	394
Evaporators and Heater Coils	394
Fans and Fan Blades	394
Knobs	395
Louvers	395
Resistors and Relays	395
Tools & Accessories	395
Water Valves	395



BUS PRODUCTS

School Bus Systems

Call: 800.499.6849 for Technical Assistance

Availability of the products shown in this reference guide is subject to change without notice by Bergstrom, Inc.  
For the most current product information please visit the Bergstrom Distributor website at <https://shop.bergstrominc.com/>.

381

## Blue Bird OEM Bus Cross Reference

### Air Filters

Blue Bird	Description	Part No:
08303216	Air Filter	<b>B407358</b>
00035908	Air Filter	<b>526426</b>
10020349	Air Filter	<b>525458</b>
10025116	Air Filter	<b>525459</b>
00064092	Air Filter	<b>526354</b>
00035863	Air Filter	<b>525776</b>
00035882	Air Filter	<b>525801</b>
00070770	Air Filter	<b>526403</b>
00070771	Filter-Air	<b>526404</b>
10006941	Filter, Recirculation	<b>1000137119</b>

### Blower Motors

Blue Bird	Description	Part No:
02130656	Blower Motor	<b>1000356768</b>
04316246	Blower Motor	<b>B275190</b>
08304610	Blower Motor	<b>B275152</b>
00035861	Blower Motor	<b>205840</b>
04316238	Blower Motor	<b>B275140</b>
00114540	Blower Motor	<b>203020</b>
0159723	Blower Motor	<b>1000132642</b>
00104121	Blower Motor	<b>203088</b>
0228072	Blower Motor	<b>1000255724</b>
0228080	Blower Motor	<b>203342</b>
01438480	Blower Motor	<b>1000169966</b>
00035883	Blower Motor Assembly	<b>1000046148</b>
00090195	Blower Motor	<b>519703</b>
10013870	Motor, 12W Cwse	<b>1000321333</b>
10016426	Blower Assembly	<b>1000033591</b>
	Motor, 12V	<b>1000132197</b>
08303182	Blower Motor Assembly	<b>1001616296</b>

### Blower Wheels

Blue Bird	Description	Part No:
08307365	Blower Wheel	<b>B360867</b>
00033722	Blower Wheel	<b>589540</b>
1567288	Blower Wheel	<b>B260031</b>
08304636	Blower Wheel	<b>B260170</b>
08304602	Blower Wheel	<b>B260171</b>
04316543	Blower Wheel	<b>B260570</b>

### Booster Pumps

Blue Bird	Description	Part No:
10035131	Booster Pump Assembly, 12V	<b>1001487644</b>
10034148	Booster Pump Assembly, 12V	<b>1001487646</b>
	Booster Pump Assembly, 12V	<b>1001487642</b>
10033362	Booster Pump Assembly, 12V	<b>1001487645</b>

## Blue Bird OEM Bus Cross Reference

### Evaporators and Heater Coils

Blue Bird	Description	Part No:
00035914	Heater Core	B280406
01799024	Heater Core	B280406
00070762	Heater Core	108482M
08303208	Heater Core	B280383
00035860	Heater Core	108331
00035881	Heater Core	108336
00056086	Heater Core	108428M

### Expansion Valves

Blue Bird	Description	Part No:
0015318	Block Type Expansion Valve	540035
00090197	Freon Solenoid Valve	650254-S
00063509	Block Type Expansion Valve-Aftermarket Version	1001443384
0015318	Block Type Expansion Valve-Aftermarket Version	1001443791

### Fans and Fan Blades

Blue Bird	Description	Part No:
575080	Fan Blade	575080
10030325	Fan Blade	572980
02004307	Fan Blade	572980
0666719	Defrost Fan	756698
01438126	Fan Blade	510119

### Fittings & Hoses

Blue Bird	Description	Part No:
00090196	Check Valve Drain 1/2" I.D.	B173070
04316790	Cable Clamp	B290247
04316519	Bulk Flexible Ducting 2"	B311000
04316717	Bulk Flexible Ducting 2 1/2"	B312000
01251065	Defrost Hose, 4 X 45 Inches	560235

### Knobs

Blue Bird	Description	Part No:
08303232	Knob	B380007
00012387	Knob	B380099
525856	Knob	B380053
28-51601	Knob	B380088
08303158	Knob	B380096
00031531	Knob, 1-1/8	B380102
00031148	Switch Kit Knob	869703

### Louvers

Blue Bird	Description	Part No:
00090180	Louver	E525076
08303091	Louver	B360833
04759765	Louver	586970
01915438	Diffuser Assembly, Adjustable	530747
04316741	Defrost Louver Assembly	B360585

## Blue Bird OEM Bus Cross Reference

### Louvers

Blue Bird	Description	Part No:
00090194	Louver, Rectangle	<b>B360924</b>

### Receiver Driers

Blue Bird	Description	Part No:
00084864	Receiver Drier	<b>540059</b>
04-00202	Receiver Drier	<b>1001452361</b>

### Resistors and Relays

Blue Bird	Description	Part No:
00035868	Resistor	<b>650179</b>
00063516	Relay	<b>B222166</b>
00090192	Relay	<b>652420</b>
04316295	Resistor	<b>B220990</b>
10024862	Resistor, 12V 184 C 2 Speed	<b>1000264808</b>
10024863	Resistor, 12V W2 152C Fuse	<b>1000283926</b>

### Switches and Actuators

Blue Bird	Description	Part No:
00090191	Actuator	<b>1000593042</b>
04320925	Blower Switch	<b>650657</b>
00037788	Switch	<b>B222975</b>
00063495	Electrical Door Actuator Kit	<b>890071</b>
00017537	Pressure Switch	<b>1000948102</b>
00017538	Pressure Switch	<b>B404279</b>
00090190	Thermostatic Switch	<b>589490</b>
00063511	Thermostatic Switch	<b>650163</b>
00015303	Thermostat Switch	<b>B404145</b>
00016333	Assembly Mode Switch	<b>B222987</b>

### Tools & Accessories

Blue Bird	Description	Part No:
00037786	Control Plate	<b>B360934</b>
10006937	Control Assembly	<b>1000135581</b>
00035862	Blower Wheel Retaining Clip	<b>525222</b>
10020990	Housing Fan Guard	<b>530757</b>
04316329	Plate Mounting Motor	<b>B509185</b>
08307266	Insulator Motor Id 2.88	<b>B300242</b>
00091765	Insulation Tape, 264328R1/5P4610	<b>570140</b>
04316774	7/16-28 Hex Switch Nut	<b>B203819</b>
0864579	No. 10 x .500 Cross Rec Pan Head Screw	<b>B200308</b>

### Water Valves

Blue Bird	Description	Part No:
0651844	Water Valve	<b>B173153</b>
10026722	Water Valve Kit	<b>1000235880</b>
00035911	Shut - Off Water Valve	<b>B330393</b>
00116944	Water Valve Assembly	<b>871288-S</b>
10038245	Water Valve Assembly.	<b>1000431722</b>



## Blue Bird OEM Bus Cross Reference

### Water Valves

Blue Bird	Description	Part No:
00038850	Water Valve Kit	<b>869485</b>

School Bus Parts

## IC Corp OEM Bus Cross Reference

### Air Filters

IC Corp	Description	Part No:
437528001	Air Filter	B407367
2211903C1	Air Filter	B407365
2211904C1	Air Filter	B407364
ZGG720004	Air Filter	525458
ZGG720005	Air Filter	525459
2507220C1	Air Filter	525893
446637001	Air Filter	525828
2509228C1	Air Filter	525864
2585992C1	Air Filter	526398
2607912C1	Filter, Recirculation	1000257387

### Blower Motors

IC Corp	Description	Part No:
	Blower Motor	1000170295
2598648C1	Blower Motor	1000044188
452046010	Blower Motor	B411343
450096021	Blower Motor	B275181
488831C1	Blower Motor	B275141
442129012	Blower Motor	B275140
2503277C1	Blower Motor	203066
92711600	Blower Motor	1000132642
ZGG701064	Blower Motor	1000255724
2598644C1	Blower Motor Assembly	1000046148
450139001	Blower Motor	1000132208
ZGG701087	Blower Motor	1000132208
ZGG701108	Blower Motor	1000046149
437122023	Blower Motor	1000153941
2607897C91	Blower Motor	519703
2217914C1	Blower Motor	B944184
2507242C1	Blower Motor Assembly	869158
2594604C92	Blower & Resistor Assembly	1000220907
2230256C91	Blower Assembly, 12V	1000222667
452046009	Blower Motor Assembly	1001616296

### Blower Wheels

IC Corp	Description	Part No:
ZGG16411	Blower Wheel	B260640
2507231C1	Blower Wheel	563500
450037019	Blower Wheel	B260170
450037008	Blower Wheel	B260171

### Booster Pumps

IC Corp	Description	Part No:
3957323C91	Booster Pump Assembly with 90 Degree Fitting, 12V	1001487641
3957534C91	Booster Pump Assembly, 12V	1001487640
	Booster Pump Assembly, 12V	1001487649
	Booster Pump Assembly, 12V	1001487648

## IC Corp OEM Bus Cross Reference

### Booster Pumps

IC Corp	Description	Part No:
	Booster Pump Assembly, 12V	1001487647

### Cables

IC Corp	Description	Part No:
2587218C1	Control Cable	530748
2587219C1	Control Cable	530749
2507222C1	Detent Control Cable, 40 In.	530293
2507223C1	K Detent Control Cable, 30.70	530300
2588423C1	Control Cable	1000875777
452046004	Control Cable, Recirculation Fresh Air	1000875793
2607910C1	Control Cable, Detent	1000255753
2515529C1	Control Cable, 76 In	1000875788
441355006	Control Cable, 76 In	1000875788

### Fans and Fan Blades

IC Corp	Description	Part No:
ZGG703003	Fan Blade	572980
2210999C1	Defrost Fan	756720C
433093001	Defrost Fan	756737
2230239C91	Defrost Fan	1000208583
2230237C91	Defrost Fan	1000208584

### Fittings & Hoses

IC Corp	Description	Part No:
442129021	Bulk Flexible Ducting 2 1/2"	B312000

### Heater Assemblies

IC Corp	Description	Part No:
448253001	Heater Assembly, 80K Wallmount	780017
3864119C1	Heater Assembly, 50K	1000194015
3722143C94	Heater Kit, Lf (Service)	1000713079

### Knobs

IC Corp	Description	Part No:
450038002	Knob	B380087
450038001	Knob	B380053
2507219C1	Knob	E525082
2503743C91	Sub Assembly Knob	1000224265

### Louvers

IC Corp	Description	Part No:
	Louver, Plastic	B360151
2217916C1	Louver	B360754
441086001	Louver W-2.50 in Hose Adaptor	500091
430164001	Defrost Louver Assembly	B360585

### Resistors and Relays

IC Corp	Description	Part No:
93107300	Freon Solenoid Valve	530851

## IC Corp OEM Bus Cross Reference

### Resistors and Relays

IC Corp	Description	Part No:
2595285C2	Resistor	<b>1000206429</b>
1696836C1	Resistor	<b>650179</b>
2509051C1	Relay	<b>652420</b>
450037004	Resistor	<b>B220990</b>
2511225C1	Resistor, 12V 184 C 2 Speed	<b>1000264808</b>

### Switches and Actuators

IC Corp	Description	Part No:
426829002	Switch	<b>B222975</b>
	Circuit Breaker, 20 Amp	<b>651181</b>

### Tools & Accessories

IC Corp	Description	Part No:
3628830C92	Control Assembly	<b>1000224260</b>
438964005	7/16-28 Hex Switch Nut	<b>B203819</b>

### Water Valves

IC Corp	Description	Part No:
426827001	Water Valve	<b>B173153</b>
ZGG717078	Water Valve Kit	<b>1000416160</b>
426827001	Water Valve Assembly	<b>1000715576</b>
3791189C1	Water Valve	<b>1000220935</b>

## Miscellaneous OEM Bus Cross Reference

### Air Filters

Misc.	Description	Part No:
Gillig 82-29801-000	Air Filter	525458
Gillig 82-09631-004	Air Filter	584210

### Blower Motors

Misc.	Description	Part No:
Gillig 1099018	Blower Motor	205840
Gillig 82-06324-001	Blower Motor	203020
Gillig 82-23399-000	Blower Motor	203088
Gillig 82-09632-006	Motor Mounting Gasket	518930
Gillig 82-08780-005	Motor Bracket	444700

### Blower Wheels

Misc.	Description	Part No:
Gillig 82-00148-000	Blower Wheel	563500
Gillig 82-18553-001	Blower Wheel Retaining Clip	525222

### Booster Pumps

Misc.	Description	Part No:
Gillig 53-29300-000	Booster Pump Assembly, 12V	1001487644

### Cables and Controls

Misc.	Description	Part No:
Gillig 82-19329-002	Pushnut, .187 In	622290

### Condenser Coils

Misc.	Description	Part No:
Trans Air 77T41413-30	Condenser Coil	1000617101

### Fans and Fan Blades

Misc.	Description	Part No:
Gillig 82-13441-000	Fan Blade	575080
Gillig 82-06356-000	Fan Blade	572980
Gillig 51-00123-001	Defrost Fan	756702
Gillig 82-13172-000	Black Fan Blade 6.50 in 4-Blade	581520
Gillig 51-10855-003	Defrost Fan, 24V	756713
Gillig 51-10855-001	Black Fan with Switch 24V 51-10855-001	756703
New Flyer 066736	Defrost Fan	756702
New Flyer 080922	Defrost Fan, 24V	756713
New Flyer	Black Fan with Switch 24V 51-10855-001	756703

### Expansion Valves and Orifice Tube

Misc.	Description	Part No:
ACC	Orifice Tube, White	525712
ACC	Orifice Tube, Red	540265
ACC	Orifice Tube, Orange	540266
ACC	Orifice Tube, Red	540018
Parker 040138-402	Block Type Expansion Valve	540383
Parker 829-099	Block Type Expansion Valve	540383
Parker 040138-404A	Block Type Expansion Valve	1000021106

## Miscellaneous OEM Bus Cross Reference

### Expansion Valves and Orifice Tube

Misc.	Description	Part No:
Parker 829-101	Block Type Expansion Valve	1000021106
Parker 040138-401	Block Type Expansion Valve	1000039683
Parker 040138-403	Block Type Expansion Valve	1000039685
Parker 829-093	Block Type Expansion Valve	1000039685
Parker 329-403	Block Type Expansion Valve	1001465094
Parker 040138-129M	Block Type Expansion Valve	1001468089
Parker 329-499	Block Type Expansion Valve	1001468089
Parker 040138-142	Block Type Expansion Valve	1001468090
Parker 929-506A	Block Type Expansion Valve-Aftermarket Version	1001443774
Parker 031134-120	Expansion Valve	1001443777
Parker 929-507B	Block Type Expansion Valve-Aftermarket Version	1001443802
Parker 929-503B	Block Type Expansion Valve-Aftermarket Version	1001443803
Parker 031131-02	Expansion Valve	1001489790
Parker 040138-132	Block Type Expansion Valve-Aftermarket Version	1001443391
Parker 329-447	Block Type Expansion Valve-Aftermarket Version	1001443391
Parker 329-491	Block Type Expansion Valve-Aftermarket Version	1001443793
Parker 329-497C	Block Type Expansion Valve	540035
Parker 031134-25	Expansion Valve-Aftermarket Version	1001443787
Parker 329-413	Block Type Expansion Valve	1001465631
Parker 031134-114	Externally Equalized Expansion Valve	B404292
Parker 031134-138	Externally Equalized Expansion Valve	B404292
Parker B7109A-73184	Freon Solenoid Valve, 12V-R134A	650199
Parker 929-493	Block Type Expansion Valve-Aftermarket Version	1001443376
Parker 040138-152	Block Type Expansion Valve-Aftermarket Version	1001443384
Parker 929-505A	Block Type Expansion Valve-Aftermarket Version	1001443771
Parker 031134-129	Expansion Valve	1001443780
Parker 329-404	Block Type Expansion Valve-Aftermarket Version	1001443791
Parker 031134-03	Expansion Valve-Aftermarket Version	1001443794
Parker 040138-144	Block Type Expansion Valve	1001443807
Parker 031134-156	Expansion Valve	1001443809
Parker 929-496	Block Type Expansion Valve	1001443810
Parker 040138-123	Block Type Expansion Valve	1001449683
Parker 329-495	Block Type Expansion Valve	1001449683
Parker 031134-137	Expansion Valve	1001465619
TA/MCC/ACT/Rifled	Freon Solenoid Valve	650254-S
TA/MCC/ACT/Rifled	Block Type Expansion Valve-Aftermarket Version	1001443791
Trans Air/MCC	Expansion Valve	1001443777
Trans Air/MCC	Expansion Valve-Aftermarket Version	1001443787
Trans Air/MCC	Externally Equalized Expansion Valve	B404292

### Fittings

Misc.	Description	Part No:
Parker 080660-00	Quick Disconnect Coupler	550182
Parker PH336450	No. 6 Mini Stat Seal (must order in increments of 10)	1000039445
Parker PH556450	No. 8 Mini Stat Seal (must order in increments of 10)	1000039471
Parker PH668450	No. 10 Mini Stat Seal (must order in increments of 10)	1000039483

## Miscellaneous OEM Bus Cross Reference

### Fittings

Misc.	Description	Part No:
Parker PH720450	No. 12 Mini Stat Seal (must order in increments of 10)	1000039492
Parker 204377	Slim Line Washer, 3/8In (must order in increments of 10)	1000309829

### Knobs

Misc.	Description	Part No:
Gillig 82-06354-000	Knob	552500
Gillig 82-10582-005	AC Control Lever Heater Knob	525048
New Flyer	Knob	552500
Trans Air 113033	Knob	B380088

### Louvers

Misc.	Description	Part No:
Gillig 53-25035-000	Louver	586970
Gillig 82-08780-022	Louver	588060

### Receiver Driers

Misc.	Description	Part No:
Bus Air WSG-164FO	Receiver Drier	1001452361
MCC 65-62004	Receiver Drier	1001453083
Fire Truck	Receiver Drier	1000622970
Parker 088397-00	Receiver Drier	1001450363
Parker 088271-00	Receiver Drier	1001429706
Parker 088250-01	Receiver Drier	1001478794
Parker 088116-00	Receiver Drier	540121
Parker 088285-01	Receiver Drier	1001478797
Parker 085189-00	Receiver Drier	B402618
Parker 085274-00	Receiver Drier	B402562
Parker 089248-00	Accumulator	526110
Parker 088360-00	Receiver Drier	540059
Parker 088056-02	Receiver Drier	540094
Parker 088423-01	Receiver Drier	1001479521
Parker 249099-10	Receiver Drier	540104
Parker 088489-00	Receiver Drier	1002106141
Parker 088037-00	Receiver Drier	1001478804
Parker 088273-00	Receiver Drier	1002089977
Parker 088248-02	Receiver Drier	540111C
Parker 088415-00	Receiver Drier	540241
Parker WSG-164MOI	Receiver Drier, In-Line Filter	1001264912
Parker WSG-304MOI	Receiver Drier, In-Line Filter	1001264936
Parker 088411-00	Receiver Drier-Aftermarket Version	1001452332
Parker 088599-01	Receiver Drier	1001452358
Parker WSG164FO	Receiver Drier	1001452361
Parker 085743-00	Receiver Drier	1001453433
Parker 088209-03	Receiver Drier	1001453456
Parker 088436-01	Receiver Drier	1001453765

School Bus Parts

## Miscellaneous OEM Bus Cross Reference

### Resistors and Relays

Misc.	Description	Part No:
Gillig 82-13713-001	Resistor	<b>650179</b>

### Switches and Actuators

Misc.	Description	Part No:
Gillig 51-25030-000	Switch	<b>650086</b>
Parker 085108-00	Pressure Switch	<b>B404097</b>
Trans Air 113006	Blower Switch	<b>650657</b>

### Water Valves

Misc.	Description	Part No:
Parker V405P-6-6	Water Valve	<b>540309</b>
Parker VSSV404P-10-8	Water Valve	<b>869187</b>
Parker VSSV404P-12-8	Water Valve	<b>540085</b>
Parker V405P-6-8	Water Valve	<b>540310</b>



## Thomas Built OEM Bus Cross Reference

### Air Filters

Thomas Built	Description	Part No:
4602-0082	Air Filter	525636
8566-0439	Air Filter	525460
BSM 525406	Air Filter	525406
8566-0385	Air Filter	525458
8566-0380	Air Filter	525459
6600-0225	Air Filter	582790
8566-0237	Air Filter	525313
2609-3370	Air Filter	540900
BSM 540900	Air Filter	540900
6600-0291	Air Filter	584210
BSM 525600	Air Filter	525600
BSM 525836	Air Filter	525836
BSM 526431	Air Filter	526431
BSM 1000186314	Filter, Recirculation	1000186314
BSM 526427	Air Filter	526427

### Blower Motors

Thomas Built	Description	Part No:
KYS 275266	Blower Motor	B275266
KYS B411271	Blower Motor	B411271
8566-0130	Blower Motor	202270
	Blower Motor	B275158
8566-0007	Blower Motor	205780
2606-2365	Blower Motor	201520
8566-0009	Blower Motor	205840
8566-0447	Blower Motor	205853
BSM 301252	Blower Motor	205853
2603-4369	Blower Motor	202520
BSM 202520	Blower Motor	202520
6500-0439	Blower Motor	203020
8566-0226	Blower Motor	203066
8566-0102	Blower Motor	203061
8566-0227	Blower Motor	203067
8566-0378	Blower Motor	203088
BSM 203234	Blower Motor	203234
2604-4367	Blower Motor	1000132208
BSM 301601	Blower Motor	1000132208
BSM 1000046149	Blower Motor	1000046149
BSM 1000033591	Blower Assembly	1000033591
BSM 203412	Motor, 14V Dc	203412
	Blower Assembly, 12V	B411465
BSM 1000426128	Motor, 12V CWSE	1000426128
BSM 1000694282	Motor, 12V Cwse (Long Life)	1000694282
KYS 275254	Motor, 24 Volts Dc	B275254
BSM 1001429553	C2 Blower Service Kit	1001429553

School Bus Parts

## Thomas Built OEM Bus Cross Reference

### Blower Wheels

Thomas Built	Description	Part No:
2602-4374	Blower Wheel	563500
8566-0050	Blower Wheel	589540
2603-1374	Blower Wheel	529800
2605-1367	Blower Wheel	515400
BSM 515400	Blower Wheel	515400
	Blower Wheel	B360917
8566-0233	Blower Wheel	510014
2605-7365	Blower Wheel	507700
BSM 507700	Blower Wheel	507700

### Booster Pumps

Thomas Built	Description	Part No:
22-71865-000	Booster Pump Assembly, 12V	1001487648
TBB 184618	Booster Pump Assembly, 12V	1001487655
TBB 181122	Booster Pump Assembly, 12V	1001487642
BSM 1001487644	Booster Pump Assembly, 12V	1001487644
	Booster Pump Assembly, 24V	1001487643

### Cables

Thomas Built	Description	Part No:
6600-5077	Wire Harness	660762
	Control Cable	1000875779

### Evaporators and Heater Coils

Thomas Built	Description	Part No:
BSM 1000133568	Heater Core	1000369918
BSM 1000365530	Heater Core	1000369918
8566-0244	Heater Core	108259
BSM 108259	Heater Core	108259
8566-0384	Heater Core	108274
BSM 108274	Heater Core	108274
8566-0377	Heater Core	108275
BSM 108275	Heater Core	108275
8566-0129	Heater Core	108250
BSM 108250	Heater Core	108250
BSM 108442	Heater Core	108442M
BSM 108336	Heater Core	108336

### Fans and Fan Blades

Thomas Built	Description	Part No:
6600-0305	Fan Blade	1000943151
2605-5365	Fan Blade	575080
2605-1368	Defrost Fan	756600
8566-0135	Fan Blade	587380
2601-8378	Fan Blade	572980
8566-0382	Fan Blade	572980
2602-0369	Defrost Fan	756610C
5200-3268	Defrost Fan	756720C

## Thomas Built OEM Bus Cross Reference

### Fans and Fan Blades

Thomas Built	Description	Part No:
TBB 125882	Defrost Fan	1000202057
TBB 129547	Defrost Fan	1000202056
TBB 125868	Defrost Fan	1000202058
BSM 1000202058	Defrost Fan	1000202058
TBB 103290	Defrost Fan, 12V	756735C
TBB 150627	Defrost Fan, 12V Black	1000081604
081685502	Fan, Black with Switch 24V 51-10855-001	756703

### Knobs

Thomas Built	Description	Part No:
6600-0092	Knob (must order in increments of 2)	552500
BSM 525823	Knob	525823
BSM 525048	Heater/AC Control Lever Knob	525048

### Louvers

Thomas Built	Description	Part No:
6600-0405	Louver	586970
BSM 586970	Louver	586970
6600-0910	Louver	588060
BSM 808810	Diffuser Assembly	808810
6600-0514	Louver Assembly	585520
8566-0203	Louver	530006
8566-0203	Louver	530006

### Resistors and Relays

Thomas Built	Description	Part No:
8566-0125	Resistor	650179
8566-0049	Resistor	650790
BSM 1000834227	Linear Power Module	1001401792
	Circuit Breaker	651980
BSM 652541	Micro Relay	652541

### Tools & Accessories

Thomas Built	Description	Part No:
6600-4667	Control, Thomas	880014
BSM 880014	Control, Thomas	880014
6600-5071	Fan Guard Housing	530757
6600-0672	Motor Mounting Gasket	518930
8566-3378	Motor Bracket	444700

### Water Valves

Thomas Built	Description	Part No:
KYS 173090	Water Valve	B173090
BSM 1000235880	Water Valve Kit	1000235880
BSM 1000230606	Water Valve Kit	1000235880
BSM 1000198369	Water Valve Assembly	1000346774
BSM 1000346164	Water Valve Assembly	1000346164
BSM 1000346774	Water Valve Assembly	1000346774

## Thomas Built OEM Bus Cross Reference

### Water Valves

Thomas Built	Description	Part No:
BSM 1000634446	Water Valve Assembly	<b>1000634446</b>



*Air Conditioning & Heating  
Replacement Parts*

# KIT APPLICATIONS 4

KIT APPLICATIONS

## Mounting & Drive Kit Applications

<b>Engine Application Data</b>	<b>398</b>
Autocar Conventional Series	398
Chevrolet "C" Series Conventional	398
Chevrolet Bruin Series Conventional	398
Ford "F" and "L" Series Conventional	398
Ford Cargo	398
Ford CL-CLT 9000	398
Freightliner C.O.E. and Conventional Series	399
GMC "C" Series Conventional	399
GMC "P" Series Step Van	399
GMC Brigadier Series Conventional	399
International 2000, 4000, 7000, & 8000 Conventional	399
International "F" and "S" Series Conventional	399
International 9000 Series Conventional	400
International 9000 Series C.O.E.	400
Kenworth T400, T600, & T800 Conventional	400
Kenworth "W" Series Conventional	400
Kenworth "K" Series Conventional	400
Mack CH Model Conventional	400
Mack R, U and DM Model Conventional	401
Mack Midliner	401
Mack MR and MC Model C.O.E.	401
Marmon Conventional Series	401
Marmon C.O.E. Series	401
Peterbilt Conventional Series	401
Peterbilt C.O.E. Series	401
Volvo FE 6 & FE 7	401
White GMC & Volvo White "W" Series Conventional	401
Western Star Conventional	402
Miscellaneous Engine Application Data	402

<b>AC System Kits Numeric Listing</b>	<b>402</b>
AC Systems Kits Numeric Listing	402

Call: 800.499.6849 for Technical Assistance

397

Availability of the products shown in this reference guide is subject to change without notice by Bergstrom, Inc.  
For the most current product information please visit the Bergstrom Distributor website at <https://shop.bergstrominc.com/>.

## 4

## KIT APPLICATIONS

## Engine Application Data

ENGINE	YEAR	MODEL	A/B	P/S	ADAPT/KIT	CLUTCH	DRIVE BELT	NOTES
<b>Autocar Conventional Series</b>								
Cummins	'72-'87	All "N" Series 855 cu.in.	W	W or W/O	NLA		7/8" x See Note	1, 3, 4
Cummins	'75-'87	All "N" Series 855 cu.in.	W	W or W/O	NLA		1/2" x See Note	2, 3, 4
Cummins	'88-PR	All "N" Series 855 cu.in.	W	W or W/O			Determine at Installation	1
AUTOCAR NOTES:								
1. Front face of block to center of open groove on accessory drive pulley 4".								
2. Front face of block to center of open groove on accessory drive pulley 5-15/16".								
3. Belt length to be determined at time of installation.								
<b>Chevrolet "C" Series Conventional</b>								
Detroit Diesel	'80-PR	8.2 Liter	W or W/O	W or W/O			1/2" x 73"	4
<b>Chevrolet Bruin Series Conventional</b>								
Detroit Diesel	'78-PR	6-71	W	W or W/O	NLA		1/2" x 50"	5
Detroit Diesel	'78-PR	6-71 with GM Fluid Fan Clutch	W	W or W/O	NLA		1/2" x 76"	9
Cummins	'84-PR	L10	W or W/O	W or W/O	NLA		1/2" x 58-1/2"	
CHEVROLET NOTES:								
1. Fits GM W-4 vehicles with chassis number 8302313 and up/Osuzu NPR vehicles with chassis number 9406433 and up.								
2. Vehicles without air brakes and with power steering mounted on upper driver's side will require GMC add-on crankshaft pulley #2005091.								
3. With single smog pump only.								
4. With or without turbocharger.								
5. Without GM automatic fan clutch only.								
6. With standard v-belt fan drive only.								
7. With open groove on crankshaft.								
8. Engines with poly v-belt fan drive only.								
9. With GM automatic fan clutch.								
<b>Ford "F" and "L" Series Conventional</b>								
Caterpillar	'75-PR	3208 (Ford 636)	W	W or W/O	NLA		1/2" x See Note	1 & 2
Caterpillar	'78-PR	3208 (Ford 636)	W or W/O	W or W/O	NLA		1/2" x 68" 1/2" x 50"	4, 5, 6
Caterpillar	'84-PR	3406	W	W or W/O			1/2" x See Note	2 & 7
Caterpillar	'88-PR	3306B	W or W/O	W or W/O	N/A		1/2" x 48-1/4"	
Caterpillar	'94-PR	3406E	W or W/O	W or W/O	NLA		1/2" x See Note	2
Cummins	'93-'95	Ford FD1460 (Cummins C8.3L)	W or W/O	W or W/O			1/2" x 40"	
Cummins	'72-'87	All "N" Series 855 cu. in.	W	W or W/O	NLA		21/32" x 42"	8 & 11
Cummins	'88-PR	All "N" Series 855 cu. in.	W or W/O	W or W/O			Determine at Installation	8
Cummins	'84-'89	L10	W or W/O	W or W/O	NLA		1/2" x 58-1/2"	
<b>Ford "F" and "L" Series Conventional</b>								
Detroit Diesel	'80-'84	8.2 Liter	W/O	W			1/2" x 48"	
Detroit Diesel	'71-PR	6-71	W	W or W/O	NLA		1/2" x 59"	11
Ford	'89-'92	6.6 Liter & 7.8 Liter Diesel	W	W	NLA		15/32" x 57-1/8" 6.6L 15/32" x 58-1/8" 7.8L	9
Ford	'92-PR	Ford FD 1060 Cummins B5-9L	W or W/O	W or W/O	NLA		Use OEM	
<b>Ford Cargo</b>								
Cummins	'93-PR	FORD FD1060 (Cummins B5.9L)	W or W/O	W or W/O	NLA		8 RIB x 59" In Kit	
<b>Ford CL-CLT 9000</b>								
Cummins	'78-'87	All "N" Series 855 cu. in.	W	W/O or Gear Driven	NLA		1/2" x 41"	11
Caterpillar	'78-PR	3406	W	W or W/O	NLA		1/2" x 61"	

# Engine Application Data

4

KITAPPLICATIONS

ENGINE	YEAR	MODEL	A/B	P/S	ADAPT/KIT	CLUTCH	DRIVE BELT	NOTES
<b>FORD NOTES:</b>								
1. For L, LN, & F 7000, 8000 & 9000 Series with high mount fan.								
2. Belt length to be determined at time of installation.								
3. For L, & LN 8000, 9000 Models only.								
4. For F & LN 7000 Series with low mount fan only.								
5. For vacuum pump, replace v-belt with 1/2" x 68" v-belt.								
6. For engines with automatic fan clutch.								
7. For engines with adjustable fan bracket.								
8. Front face of block to center of open groove on accessory drive pulley 3-15/16".								
9. Also fits with hydraulic brakes.								
10. Use 6 RIB x 101 5/8" belt (Gates #K061010) for vehicles with non AC engine dress (larger dia. W/P pulley). Use 6 RIB x 100" BRLT								
11. Catalog No:1411002 (Gates #K060994) for vehicles with AC engine dress (smaller dia. W/P pulley).								
<b>Freightliner C.O.E. and Conventional Series</b>								
Cummins	'72-'87	All "N" Series 855 cu. in.	W	W or W/O	NLA		1/2" x See Note	1, 2, 3
Cummins	'72-'87	All "N" Series 855 cu. in.	W	W or W/O			1/2" x See Note	1 & 2
Cummins	'85-'89	L10	W or W/O	W or W/O	NLA		1/2" x 58-1/2"	
Cummins	'90-PR	L10 & M11	W or W/O	W or W/O			1/2" x 55"	
Detroit Diesel	'77-PR	8V-92	W	W or W/O	NLA	Part No: <b>1000139242</b>	1/2" x 43" 2-Req'd	3
<b>FREIGHTLINER NOTES:</b>								
1. Front face of block to center of open groove on accessory drive pulley 5-15/16".								
2. Belt length to be determined at time of installation.								
<b>GMC "C" Series Conventional</b>								
Detroit Diesel	'80-PR	8.2 Liter	W or W/O	W or W/O			1/2" x 73"	4
<b>GMC "P" Series Step Van</b>								
GMC Diesel	'96-PR	6.5L Diesel	W/O	W	NLA		6 RIB Poly	"V" x "103"
<b>GMC Brigadier Series Conventional</b>								
Detroit Diesel	'78-PR	6-71	W	W or W/O	NLA		1/2" x 50"	5
Detroit Diesel	'78-PR	6-71 with GM Fluid Fan Clutch	W	W or W/O	NLA		1/2" x 76"	9
Cummins	'84-PR	L10	W or W/O	W or W/O	NLA		1/2" x 58-1/2"	
<b>GMC NOTES:</b>								
1. Fits GM W-4 vehicles with chassis number 8302313 and up...Isuzu NPR vehicles with chassis number 9406433 and up.								
2. Vehicles without air brakes and with power steering mounted on upper driver's side will require GMC add-on crankshaft pulley #2005091.								
3. With single smog pump only.								
4. With or without turbocharger.								
5. Without GM automatic fan clutch only.								
6. With standard v-belt fan drive only.								
7. With open groove on crankshaft.								
8. With GM automatic fan clutch.								
<b>International 2000, 4000, 7000, &amp; 8000 Conventional</b>								
Navistar	'89-'93	7.3L Diesel	W or W/O	W or W/O	NLA		1/2" x 61"	1
Navistar	'89-'93	7.3L Diesel	W or W/O	W or W/O	NLA		1/2" x 60-1/2" & (2) 7/16" x 59"	2
Navistar	'94-'94-1/2	T 444E	W Only	W or W/O			8 RIB x 122-5/32" In Kit	3, 4
Navistar	'94-1/2-PR	T 444E	W/O	W or W/O			9 RIB x 100-1/32" In Kit	3, 4
Navistar	'89-'93	DT, DTA 360 & 466	W or W/O	W or W/O			See Note 5	6
Navistar	'89-'93	DT, DTA 360	W or W/O	W or W/O			See Note 5	7
Navistar	'89-'93	DT, DTA 466	W or W/O	W or W/O			1/2" x 43"	7
Navistar	'94-PR	DT 408 & 466	W or W/O	W or W/O			1/2" x 42-3/8"	14
Cummins	'88-'89	L10	W or W/O	W or W/O	NLA		1/2" x 55-1/4"	
Cummins	'90-PR	L10	W or W/O	W or W/O			1/2" x 55"	
Caterpillar	'90-PR	3176	W or W/O	W or W/O			1/2" x 52-1/2"	
<b>International "F" and "S" Series Conventional</b>								
Navistar	'82-PR	6.9L & 7.3L Diesel	W or W/O	W or W/O	NLA		1/2" x 61"	1
Navistar	'82-PR	6.9L & 7.3L Diesel	W or W/O	W or W/O	NLA		1/2" x 60-1/2" (2) 7/16" x 59"	2



800.499.6849 • shop.bergstrominc.com

399

4

KITAPPLICATIONS

# Engine Application Data

ENGINE	YEAR	MODEL	A/B	P/S	ADAPT/KIT	CLUTCH	DRIVE BELT	NOTES
Navistar	'79-'87	DT 466	W or W/O	W or W/O	NLA		1/2" x 43-1/2"	9
Navistar	'88	DT, DTA 360 & 466	W or W/O	W or W/O			See Note 5	10 & 11
Navistar	'87-PR	DT, DTA 360	W or W/O	W or W/O			See Note 5	
Navistar	'88-PR	DT, DTA 466	W or W/O	W or W/O			1/2" x 43"	10

## International "F" and "S" Series Conventional

Cummins	'77-'87	All "N" Series 855 cu. in.	W	W or W/O	NLA		1/2" x See Note	4 & 8
Cummins	'77-'87	All "N" Series 855 cu. in.	W	W or W/O			1/2" x See Note	8
Cummins	'83-'89	L10	W or W/O	W or W/O	NLA		1/2" x 55-1/4"	
Detroit Diesel	'77-PR	6V-92, 8V-71, 8V-92T, 8V-92TT	W	W or W/O		Part No: 1000139242	1/2" x 37"	4

## International 9000 Series Conventional

Cummins	'88-PR	All "N" Series 855 cu. in.	W	W or W/O			1/2" x See Note	8 & 13
---------	--------	----------------------------	---	----------	--	--	-----------------	--------

## International 9000 Series C.O.E.

Detroit Diesel	'82-PR	6V-92, 8V-92	W	W or W/O			1/2" x 44-1/2"	
----------------	--------	--------------	---	----------	--	--	----------------	--

INTERNATIONAL NOTES:

- For engines with cast alternator bracket and large alternator, 90 amp. and larger.
- For engines with 42 or 61 amp. alternator.
- 1/2" x 41-1/4" drive belt with 1:1 fan/crank ratio; 1/2" x 39-1/4" drive belt with 1.2:1 fan/crank ratio.
- For vehicles with DT, DTA 360 engine and two-cylinder air compressor built after March 8, 1989 thru 1993. For vehicles with DT, DTA 466 engine and two-cylinder air compressor build after January 19, 1989 thru 1993.
- For vehicles with single-cylinder air compressor or without air brakes.
- Belt length to be determined at the time of installation.
- For engines with 6-groove fan pulley.
- For engines with 4-groove fan pulley.
- For vehicles built between January 1, 1988 and December 22, 1988 with factory recall modifications to air compressor mounting.
- Front face of block to center of open groove on accessory drive pulley 5-15/16".
- Front face of block to center of open groove on accessory drive pulley 4".
- Low mount fan only.

## Kenworth T400, T600, & T800 Conventional

Cummins	'87-PR	All "N" Series 855 cu. in.	W or W/O	W or W/O			Determine at Installation	1
Cummins	'87-'89	L10	W or W/O	W or W/O	NLA		1/2" x 55-1/4"	
Cummins	'90-PR	L10 & M11	W or W/O	W or W/O			1/2" x 55"	

## Kenworth "W" Series Conventional

Cummins	'66-'87	All "N" Series 855 cu. in.	W	W or W/O	NLA		7/8" x See Note	1, 3, 4
Cummins	'78-'87	All "N" Series 855 cu. in.	W	W or W/O	NLA		1/2" x See Note	2 & 3
Cummins	'78-'87	All "N" Series 855 cu. in.	W	W or W/O			1/2" x See Note	2 & 3
Cummins	'88-PR	All "N" Series 855 cu. in.	W or W/O	W or W/O			Determine at Installation	1 & 3
Caterpillar	'78-PR	3406	W	W or W/O			1/2" x See Note	3

## Kenworth "K" Series Conventional

Cummins	'66-'87	All "N" Series 855 cu. in.	W	W or W/O	NLA		7/8" x See Note	1, 3, 4
Cummins	'78-'87	All "N" Series 855 cu. in.	W	W or W/O	NLA		1/2" x See Note	2, 3, 4
Cummins	'78-'87	All "N" Series 855 cu. in.	W	W or W/O			1/2" x See Note	2 & 3
Cummins	'88-PR	All "N" Series 855 cu. in.	W or W/O	W or W/O			Determine at Installation	1 & 3
Caterpillar	'78-PR	3406	W	W or W/O			1/2" x See Note	3

KENWORTH NOTES:

- Front face of block to center of open groove on accessory drive pulley 4".
- Front face of block to center of open groove on accessory drive pulley 5-15/16".
- Belt length to be determined at time of installation.

## Mack CH Model Conventional

Mack	'89-PR	E6 and E7 Series 6-cylinder	W	W or W/O			1/2" x 53-3/8"	
------	--------	-----------------------------	---	----------	--	--	----------------	--



## Engine Application Data

4

KITAPPLICATIONS

ENGINE	YEAR	MODEL	A/B	P/S	ADAPT/KIT	CLUTCH	DRIVE BELT	NOTES
<b>Mack R, U and DM Model Conventional</b>								
Mack	'72-'84	All Mack 6 Cylinder with E.S.I. Front End	W	W or W/O			1/2" - 43"	1, 2, 8
Mack	'72-'87	All Mack 6 Cylinder with E.S.I. Front End	W	W or W/O			1/2" - 40"	
Mack	'87-PR	All E6 Series	W	W or W/O	NLA		1/2" x 53-3/8"	
Cummins	'66-'87	All "N" Series 855 cu. in.	W	W/O or See Note	NLA		Determine at Installation	3, 4, 8
<b>Mack Midliner</b>								
Renault MS-200/250	'79-'88	175 HP Turbo and Ater Cooled 355 cu. in.	W	W or W/O	NLA		1/2" x 53" Gates #9530	5
<b>Mack MR and MC Model C.O.E.</b>								
Mack	'79-'86	End 675, 237 Engine	W	W or W/O	NLA		1/2" x 41"	
MACK NOTES: 1. If engine is equipped with new style (short) head stud and not on right front corner, Mack stud #610GC185 and nut #142GC185 must be purchased. 2. On 1974 DM model, 9-quart reservoir must be removed and replaced with 4-quart reservoir (Mack #39QC3118 and bracket #24QC2304). 3. Without power steering or with gear driven power steering. 4. Front face of block to center of open groove an accessory drive pulley 4". 5. For California and Canadian Emission Control. 6. For vehicles with engine serial number up to 1510. 7. For vehicles with engine serial number 1511 and up.								
<b>Marmon Conventional Series</b>								
Cummins	'67-'87	All "N" Series 855 cu. in.	W	W or W/O	NLA		Determine at Installation	1 & 2
Cummins	'88-PR	All "N" Series 855 cu. in.	W or W/O	W or W/O			Determine at Installation	1
<b>Marmon C.O.E. Series</b>								
Cummins	'67-'87	All "N" Series 855 cu. in.	W	W or W/O	NLA		Determine at Installation	1 & 2
Cummins	'88-PR	All "N" Series 855 cu. in.	W or W/O	W or W/O			Determine at Installation	1
MARMON NOTES: 1. Front Face of block to center of open groove on accessory drive pulley 4".								
<b>Peterbilt Conventional Series</b>								
Cummins	'73-'87	All "N" Series 855 cu. in.	W	W or W/O	NLA		7/8" x See Note	1, 3, 4, 5
Cummins	'66-'87	All "N" Series 55 cu. in.	W	W or W/O	NLA		1/2" x See Note	2, 3, 4, 5
Cummins	'88-PR	All "N" Series 855 cu. in.	W or W/O	W or W/O			Determine at Installation	1, 3, 5
Caterpillar	'78-PR	3406	W	W or W/O			1/2" x See Note	3
<b>Peterbilt C.O.E. Series</b>								
Cummins	'73-'87	All "N" Series 855 cu. in.	W	W or W/O	NLA		7/8" x See Note	1, 3, 4, 5
Cummins	'66-'87	All "N" Series 855 cu. in.	W	W or W/O	NLA		1/2" x See Note	2, 3, 4, 5
Cummins	'88-PR	All "N" Series 855 cu. in.	W or W/O	W or W/O			Determine at Installation	1,3,5
Caterpillar	'78-PR	3406	W	W or W/O			1/2" x See Note	3
PETERBILT NOTES: 1. Front face of block to center of open groove on accessory drive pulley 4". 2. Front face of block to center of open groove on accessory drive pulley 5-15/16". 3. Belt length to be determined at the time of installation. 4. With gear-driven power steering only.								
<b>Volvo FE 6 &amp; FE 7</b>								
Volvo	'86-PR	TD61	W	W	NLA		1/2" x 50-1/4" In Kit	
<b>White GMC &amp; Volvo White "W" Series Conventional</b>								
Cummins	'88-PR	All "N" Series 855 cu. in.	W	W or W/O			Determine at Installation	1 & 3
Cummins	'83-'89	L10	W or W/O	W or W/O	NLA		1/2" x 55-1/4"	
Cummins	'90-PR	L10 & M11	W or W/O	W or W/O			1/2" x 55"	
VOLVO/WHITE/GMC NOTES: 1. Front face of block to center of open groove on accessory drive pulley 4". 2. Front face of block to center of open groove on accessory drive pulley 5-15/16". 3. Belt length to be determined at the time of installation.								



800.499.6849 • shop.bergstrominc.com

401

4

KITAPPLICATIONS

### AC System Kits Numeric Listing

ENGINE	YEAR	MODEL	A/B	P/S	ADAPT/KIT	CLUTCH	DRIVE BELT	NOTES
<b>Western Star Conventional</b>								
Cummins	'67-'87	All "N" Series 855 cu. in.	W	W or W/O	NLA		7/8" x See Note	1, 3, 4, 5
Cummins	'67-'87	All "N" Series 855 cu. in.	W	W or W/O	NLA		1/2" x See Note	2, 3, 4, 5
Cummins	'88-PR	All "N" Series 855 cu. in.	W	W or W/O			Determine at Installation	1, 3, 4
Cummins	'83-'89	L10	W or W/O	W or W/O	NLA		1/2" x 55-1/4"	
Cummins	'90-PR	L10	W or W/O	W or W/O			1/2" x 55"	
Detroit Diesel	'73-PR	8V-71 & 8V-92	W	W or W/O	NLA	Part No: <b>1000139242</b>	1/2" x 43" 2-Req'd.	5
Detroit Diesel	'73-PR	6-71, 6-71T	W	W or W/O	NLA	Part No: <b>1000139242</b>	1/2" x 59"	5
WESTERN STAR NOTES:								
1. Front face of block to center of open groove on accessory drive pulley 4".								
2. Front face of block to center of open groove on accessory drive pulley 5-15/16".								
3. Belt length to be determined at time of installation.								
4. With gear-driven power steering only.								

ENGINE	YEAR	MODEL	A/B	P/S	ADAPT/KIT	CLUTCH	COMPRESSOR	DRIVE BELT	NOTES
<b>Miscellaneous Engine Application Data</b>									
Cummins	'80	KT1150 KTA1150	W	W or W/O			12-Volt Part No: <b>1000139242</b>	1/2" x 39-1/2" or 1/2" x 36-3/8"	1
Cummins	'73-PR	VT1710 VTA1710	W	W/O			12-Volt Part No: <b>1000139242</b>	1/2" x 36-1/2"	3
Cummins	'74-PR	KT2300 KTA2300 KT3067 KTA3067	W	W or W/O	NLA		12-Volt Part No: <b>1000139242</b>	Poly "V" 5-RIB--44"	4
Cummins	ALL	N-Series 855 Cu. in. 6-Cylinder	W	W/if gear driven	NLA		To be determined at installation	To be determined at installation	
Cummins	ALL	N-Series 855 Cu. in. 6-Cylinder	W	W/if gear driven	NLA		12-Volt Part No: <b>1000139242</b>	To be determined at installation	
MISCELLANEOUS NOTES:									
1. Engine must have Cummins accessory drive pulley No. Y3011826. (2) 1/2" grooves, 6-3/4" diameter pulley. Belt length varies with engine mount arrangement.									
2. Engine must have Cummins accessory drive pulley No. 3000978. (1 3/4" groove, 8-3/4" diameter.									
3. Engine must have Cummins accessory drive pulley No. AR-7746 or 203054.									
4. Engine must have Cummins accessory drive pulley No. 205411.									
5. Engine must have 1/2"-wide open groove on rear of crank-shaft pulley cluster.									
6. Compressor mounts on left side of rear of engine and drives from accessory drive pulley. If engine is not equipped with pulley, the following list of parts must be purchased from Detroit Diesel: 5146522, 106751, 5131131, 5177236, 272906, 51299007, 179882, 5131130, 5145092. The rear groove of accessory pulley may need to be removed on Euclid R-85 and possibly some other makes.									
7. If engine is not equipped with auxiliary drive pulley on fan hub, pulley can be purchased from Cummins under Part No: 3919624.									
8. If engine is not equipped with auxiliary drive pulley on fan hub, pulley can be purchased from Cummins under Part No: 3908819.									

<b>AC Systems Kits Numeric Listing</b>		
Kit No.	Description	Application
<b>Part No: B416113</b> Catalog No: 1407008	Adapter, Compressor	Sanden or Seltec Auxiliary Mount Plate
<b>Part No: B416371</b> Catalog No: 1407009	Adapter Kit Compressor	Universal Sanden or Seltec Compressor Mount
<b>Part No: B416912</b> Catalog No: 2175006	Spike Protection Kit	
<b>Part No: B417167</b> Catalog No: 3475064	Wiring (use with KA 7300)	Various
† Subject to availability - non returnable - not available once stock is depleted.		





*Air Conditioning Systems & Heating Replacement Parts*

App Legend	<b>SUGGESTED VEHICLE APPLICATIONS LEGEND</b>	<b>405</b>
Matrix	<b>AFTERMARKET SYSTEMS MATRIX</b>	<b>406</b>
	<b>EPRODUCT SYSTEMS</b>	<b>409</b>
	<b>ROOFTOP SYSTEMS</b>	<b>427</b>
	<b>ENGINE-DRIVEN HEADLINER SYSTEMS</b>	<b>433</b>
	<b>ENGINE-DRIVEN BACKWALL SYSTEMS</b>	<b>445</b>
	<b>CONDENSERS</b>	<b>449</b>
	<b>HEATERS</b>	<b>459</b>
	<b>BERGSTROM ELECTRIFIED SYSTEMS (BES)</b>	<b>469</b>
	<b>SCHOOL BUS SYSTEMS</b>	<b>507</b>

	<b>SOLAR ENERGY SYSTEMS</b>	<b>523</b>
	<b>UVC AIR FILTER SYSTEMS</b>	<b>535</b>
	<b>RV SYSTEMS</b>	<b>539</b>

When placing an order please contact your sales representative to review your order to ensure the proper system has been identified for your vehicle application.























Availability of the products shown in this reference guide is subject to change without notice by Bergstrom, Inc. For the most current product information please visit the Bergstrom Distributor website at <https://shop.bergstrominc.com/>.

SYSTEM SPECIFICATIONS






























# Suggested Vehicle Applications Legend

 Agriculture Vehicles	 Airport Vehicles (Ground Support)
 Ambulances	 Armored Vehicles
 Box Trucks	 Cargo Handling Vehicles (Container and Port Vehicles)
 Construction Vehicles	 Delivery Trucks/Vans
 Fire Trucks	 Foundry
 Garbage Trucks	 Golf Carts
 Heavy-Duty Vehicles	 Hi-Lo (Forklifts)
 Logging Vehicles	 Military Vehicles
 Mining Vehicles	 Off-Road Vehicles
 Off-Shore Drilling	 School Buses
 Semi Truck (Class 8)	 Shuttle Buses
 Street Sweepers	 Swat Vehicles
 SUV Vehicles	 UTV (Electrical Vehicles)

# Aftermarket Systems Matrix

The legend is a quick guide to help select a system for your vehicle. Understanding no two applications are alike, Bergstrom strongly recommends contacting a regional sales manager for further discussions before placing an order. A system in our reference guide and not identified as a suggested application may be the optimal solution.

System	Power																										
System	Power	Agriculture Vehicles	Airport Vehicles	Ambulances	Armored Vehicles	Box Trucks	Cargo Handling Vehicles	Construction Vehicles	Delivery Trucks / Vans	Fire Trucks	Foundry	Garbage Trucks	Golf Carts	Heavy-Duty Vehicles	Hi-Lo Vehicles (Forklifts)	Logging Vehicles	Military Vehicles	Mining Vehicles	Off-Road Vehicles	Off-Shore Drilling	School Bus	Semi Truck (Class 8)	Shuttle Bus	Street Sweepers	Swat Vehicles	UTV (Electrical Vehicles)	
<b>No-Idle Systems</b>																											
Nite® Phoenix	12V: 7,500 BTU/hr (2,2 kW)								X								X					X					
Nite® SSI	12V: 7,500 BTU/hr (2,2 kW)								X								X					X					
eCoolPark 1.0	12V: 6,980 BTU/hr (2 kW)		X	X	X	X			X																		
eCoolPark 1.5	12V: 6,980 BTU/hr (2 kW)		X	X	X	X			X																		
<b>Battery-Operated Systems</b>																											
Integral Power Manual	12V: 5,635 BTU/hr (1,65 kW) 24V: 9,4269 BTU/hr (2,76 kW)		X					X					X	X			X	X									
<b>Rooftop</b>																											
HD-1000 AC	12V /24V: 25,932 BTU/hr (7,6 kW)	X	X			X	X		X			X	X	X	X												
HD-1000 HVAC	Cold 12V / 24V: 25,932 BTU/hr (7,6 kW) Hot 12V / 24V: 34,120 BTU/hr (10,0 kW)	X	X			X	X		X			X	X	X	X												
KA-300	12V / 24V:18,900 BTU/hr (5,5 kW)	X					X	X	X		X	X		X		X											
<b>Headliner</b>																											
Dash Mount AC	12V / 24V: 20,473 BTU/hr (6kW)							X			X		X	X										X			
KA-400 SlimLine	12V /24V: 21,838 BTU/hr (6,4 kW)	X					X	X					X	X									X	X	X		
KK-400 SlimLine	Cold 12V / 24V: 21,838 BTU/hr (6,4 kW) Hot 12V / 24V: 25,933 BTU/hr (7,6 kW)	X					X	X					X	X									X	X	X		
KA-500 HardHat	12V / 24V: 29,345 BTU/hr (8,6 kW)	X				X		X					X				X	X									
KA-7100	12V: 49,500 BTU/hr (14,5 kW)	X		X		X	X									X					X		X				
KA-7300	12V: 75,408 BTU/hr (22,1 kW)	X		X		X	X									X					X		X				
Kelvin AC	12V / 24V: 20,810 BTU/hr (6,1 kW)	X	X	X	X		X	X		X	X	X	X	X	X	X	X	X	X	X			X	X	X		
Kelvin HVAC	Cold 12V / 24V: 20,180 BTU/hr (6,1 kW) Hot 12V / 24V: 32,410 BTU/hr (9,6 kW)	X	X	X	X		X	X		X	X	X	X	X	X	X	X	X	X	X			X	X	X		
Pascal AC	12V / 24V: 13,650 BTU/hr (4,0 kW)	X		X				X	X				X	X		X							X				
<b>Backwall</b>																											
KK-315	12V: 24,000 BTU.hr (10kW)	X		X				X	X				X											X			
KA-550	24V: 19,449 BTU/hr (5,7 kW)	X	X			X	X	X					X	X									X				
KK-550	Cold 12V / 24V: 19,449 BTU/hr (9,8 kW) Hot 12V / 24V: 33,500 BTU/hr (9,8 kW)	X	X			X	X	X					X	X									X				
KK-600 BackPack	Cold 12V / 24V: 33,439 BTU/hr (9,8 kW) Hot 12V / 24V: 47,770 BTU/hr (14,0 kW)	X	X		X	X	X	X	X	X			X	X	X	X	X	X	X	X			X	X	X		
KA-710 SideKick	12V / 24V: 24,500 BTU/hr (7,2 kW)	X	X		X	X	X	X	X	X			X	X	X	X	X	X	X	X			X	X	X		
<b>Condensers</b>																											
2-Fan Condenser Kit	12V: 17,061 BTU/hr (5kW)	X						X	X				X				X										
KC-270	12V: 32,000 BTU/hr (9,4 kW)																										
KC-440	12V: 54,935 BTU/hr (16,1 kW)	X	X		X	X		X	X	X	X		X	X	X	X	X	X	X						X		
KC-500	12V / 24V: 30,000 BTU/hr (8,8 kW)	X	X		X	X	X	X	X	X			X	X	X	X	X	X	X								
KC-750	12V / 24V: 32,075 BTU/hr (9,4 kW)	X	X		X	X	X						X	X		X			X				X				

System	Power																										
System	Power	Agriculture Vehicles	Airport Vehicles	Ambulances	Armored Vehicles	Box Trucks	Cargo Handling Vehicles	Construction Vehicles	Delivery Trucks / Vans	Fire Trucks	Foundry	Garbage Trucks	Golf Carts	Heavy-Duty Vehicles	Hi-Lo Vehicles (Forklifts)	Logging Vehicles	Military Vehicles	Mining Vehicles	Off-Road Vehicles	Off-Shore Drilling	School Bus	Semi Truck (Class 8)	Shuttle Bus	Street Sweepers	Swat Vehicles	UTV (Electrical Vehicles)	
<b>Heater Systems</b>																											
KH-150	12V: 13,000 BTU/hr (3,8 kW)							X						X				X								X	
KH-200	12V / 24V: 18,360 BTU/hr (5,4 kW)							X	X					X				X									
KH-290	12V: 22,348 BTU/hr (6,55 kW)							X						X				X									
KH-300	12V / 24V: 30,027 BTU/hr (8,8 kW)							X	X					X				X				X					
Pascal Heater	12V / 24V: 25,590 BTU/hr (8,0 kW)	X	X					X	X						X						X					X	
KH-900	12V / 24V: 30,000 BTU/hr (8,8 kW)							X	X					X				X			X						
<b>Bergstrom Electrified Systems (BES)</b>																											
FFR6 HVAC System							X											X									
FVF120 Pressurizer							X											X									
FVV150 Pressurizer							X											X									
FVV60 Pressurizer							X											X									
FVV150 Pressurizer							X											X									
FVW100 Pressurizer							X											X									
MPV5 HVAC System	Cold : 18,000 BTU/hr (5,3 kW) Hot: 34,000 BTU/h (10,0 kW)						X											X									
MPV9 HVAC System	Cold: 30,369 BTU/hr (8,9 kW) Hot: 40,946 BTU/hr (12,0 kW)						X											X									
TBV6 Hydraulic Compressor							X											X									
TCR6 Condenser Package	For use up to 22,000 BTU/hr (6,4 kW)						X											X									
TDR5 HVAC System	Cold 24V: 17,744 BTU/hr (5,2 kW) Hot 24V: 34,122 BTU/hr (10,0 kW)						X											X									
TPR6 AC System	Cold 24V: 20,473 BTU/hr (6,0 kW) Hot 24V: 40,000 BTU/hr (11,7 kW)						X	X	X									X									
TPW5 HVAC System	Cold 24V: 18,000 BTU/hr (5,3 kW) Hot 24V: 40,000 BTU/hr (11,7 kW)						X	X										X									







# Bergstrom®

## eProduct Systems

eProduct Systems

<b>NITE® Phoenix</b>	<b>410</b>
<b>NITE® SSI</b>	<b>412</b>
<b>eCoolPark 1.0</b>	<b>414</b>
<b>Battery Boxes</b>	<b>416</b>
<b>Heater Options</b>	<b>417</b>
<b>eProduct Service Parts</b>	<b>418</b>

When placing an order please contact your sales representative to review your order to ensure the proper system has been identified for your vehicle application.

All eProduct Systems have a 2-year warranty, with option to buy an extended warranty.

Availability of the products shown in this reference guide is subject to change without notice by Bergstrom, Inc. For the most current product information please visit the Bergstrom Distributor website at <https://shop.bergstrominc.com/>.



NITE® PHOENIX

VOLTS  
12DESCRIPTION  
eProduct  
Systems

### Features

- Electrified AC unit that runs on 4 auxiliary AGM batteries
- Automatic temperature control
- Digital control
- Durable steel construction
- ARB approved (#08-643-004)
- Unit runs 8-10 hours\*
- Evaporator filter gives extended coil life
- Optional diesel heaters are available

### Air Distribution and Control Panel



### Suggested Applications



\*Run time depends on ambient temperature, solar load and truck insulation

### Technical Specifications

Model	NITE Phoenix 12V
Voltage	12V
Capacity	7,500 BTU/hr (2,2 kW)
Amps	25 A/h - 65 Ah
Maximum air flow	280 SCFM (425 m <sup>3</sup> /hr)
Dimensions (W x H x D)	22in x 17in x 11in (559mm x 432mm x 280mm)
Weight*	60 lb (27,2 kg)
Mounting Position	Under Bunk

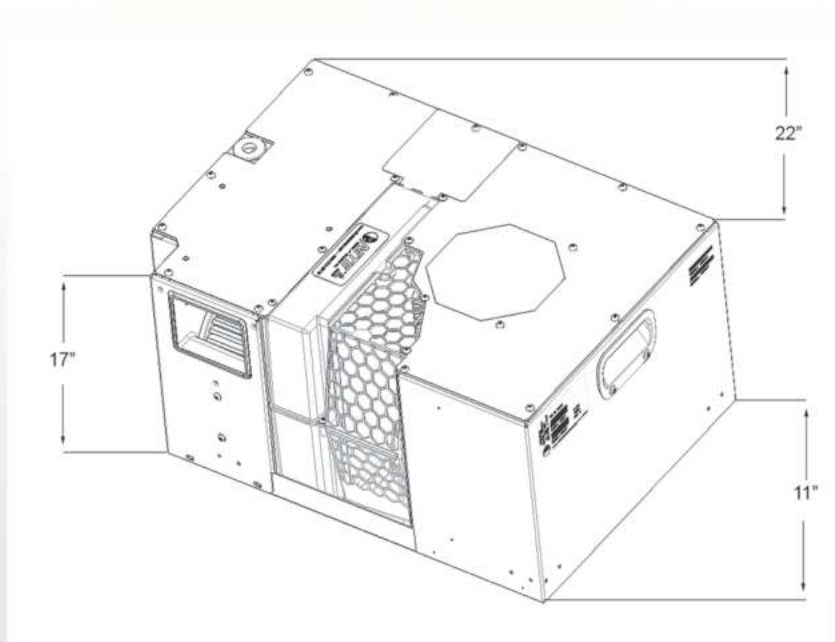
\*Overall system weight will vary dependent on installation kit used, batteries and battery box options.

Unless otherwise stated, performance measurements are conducted in accordance with SAE J638 for heaters and IMACA 200 for evaporators.

Minimum alternator required: 12V = 185-200 A/h recommended

Minimum battery required: 4 Group 31 AGM 100 A/h deep cycle batteries

Line Drawing



Advantages

- Operator Comfort
- Perfect match for your vehicle
- Best Value
- Virtually maintenance free
- Installs easily under the bunk
- ShoreCapacity & hotel load options available

eProduct Systems



LCD Display

NITE® Phoenix Order Guide

Part*	Part Number	Notes
Unit Part Number	<b>1001330451</b> <b>1001826308</b> <b>1001330466</b>	AC Only HVAC Sealed System Combo with Espar Heater
Installation Kit	Contact your Regional Sales Manager to help choose the right install kit for your vehicle.	

NITE® Phoenix Service Parts Guide

Part*	Part Number	Notes
Evaporator Blower Service Kit Assembly	<b>1001016645</b>	12V
Temperature Sensor Kit	<b>1000234569</b>	12V
Filter (259 x 215 x 127)	<b>1000183201</b>	12V
Relay with Resistor	<b>1000611575</b>	12V

\* For th NITE service parts lists, please visit/. Reference these parts lists before ordering as they are updated on a continuous basis and are subject to change without notice.



When placing an order please contact your sales representative to review your order to ensure the proper system has been identified for your vehicle application.

Availability of the products shown in this catalog is subject to change without notice by Bergstrom, Inc. For the most current product information please visit the Bergstrom Distributor website at <https://parts.shop.bergstrominc.com/>.

Warranty

\* 2-year limited warranty on parts and systems



NAME  
**NITE® SSI**

VOLTS  
**12**

DESCRIPTION  
eProduct  
Systems



### Features

- Electrified AC unit that runs on 4 auxiliary AGM batteries
- Automatic temperature control
- Digital control
- Durable steel construction
- ARB approved (#08-643-004)
- Unit runs 8-10 hours\*
- Evaporator filter gives extended coil life
- Optional diesel heaters are available

### Suggested Applications



\*Run time depends on ambient temperature, solar load and truck insulation

### Technical Specifications

Model	NITE Phoenix 12V
Voltage	12V
Capacity	7,500 BTU/hr (2,2 kW)
Amps	25 A/h - 65 Ah
Maximum air flow	280 SCFM (425 m <sup>3</sup> /hr)
Dimensions Evaporator (W x H x D)	19.9in x 17.1in x 12.3in (505mm x 434mm x 312mm)
Dimensions Condenser (W x H x D)	20.7in x 5.7in x 14.1in (527mm x 144mm x 357mm)
Weight*	60 lb (27,2 kg)
Evaporator Mounting Position	Under Bunk Inside Cab
Condenser Mounting Position	Back Wall Outside of Cab

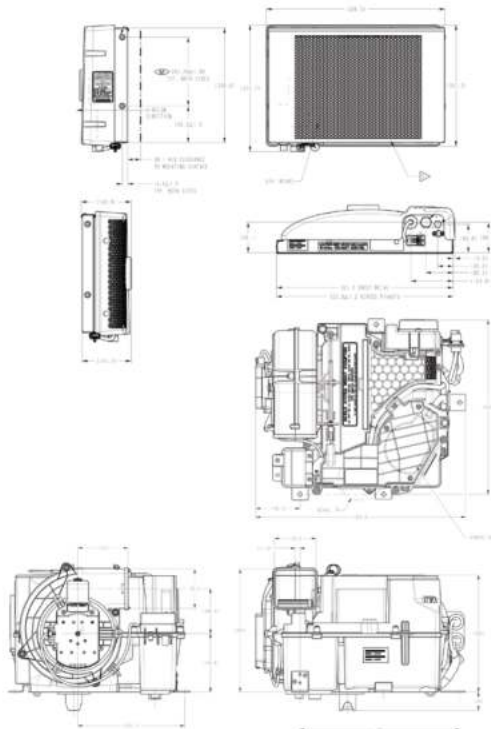
\*Overall system weight will vary dependent on installation kit used, batteries and battery box options.

Unless otherwise stated, performance measurements are conducted in accordance with SAE J638 for heaters and IMACA 200 for evaporators.

Minimum alternator required: **12V = 185-200 A/h recommended**

Minimum battery required: **4 Group 31 AGM 100 A/h deep cycle batteries**

Line Drawing



Advantages

- Operator Comfort
- Perfect match for your vehicle
- Best Value
- Virtually maintenance free
- Installs easily under the bunk
- ShoreCapacity & hotel load options available

eProduct Systems



LCD Display

NITE® Phoenix SSI Order Guide

Part*	Part Number	Notes
Unit Part Number	<b>1001447917</b> <b>1001443378</b>	AC Only Combo with Espar Heater
Installation Kit	Contact your Regional Sales Manager to help choose the right install kit for your vehicle.	

NITE® Phoenix SSI Service Parts Guide

Part*	Part Number	Notes
NITE SSI Condenser Unit	<b>1002893213</b>	12V
Evaporator Blower Service Kit Assembly	<b>1001016645</b>	12V
Temperature Sensor Kit	<b>1000234569</b>	12V
Filter (259 x 215 x 127)	<b>1000183201</b>	12V
Relay with Resistor	<b>1000611575</b>	12V
NITE SSI Internal Evaporator Assembly	<b>1002236489</b>	12V

\* For thvce parts lists, please visit/. Reference updated on a continuous basis and are subject to change without these parts lists before ordering as they are notice.



When placing an order please contact your sales representative to review your order to ensure the proper system has been identified for your vehicle application.

Availability of the products shown in this catalog is subject to change without notice by Bergstrom, Inc. For the most current product information please visit the Bergstrom Distributor website at <https://parts.shop.bergstrominc.com/>.

Warranty

\* 2-year limited warranty on parts and systems



NAME  
**eCOOLPARK 1.0**

VOLTS  
**12**

DESCRIPTION  
**eProduct  
Systems**



### Features

- Reduce fuel consumption
- Lowers engine maintenance costs
- Improved occupant safety
- Provides operator comfort
- Complies with all federal, state and local idle and noise restrictions
- Supports environmental sustainability efforts through reduction of vehicle emissions
- Designed, engineered and manufactured in the U.S.
- Compressor, fan, condenser and electronics in one compact package

### Suggested Applications



*\*Run time depends on ambient temperature, solar load and truck insulation*

### Technical Specifications

Model	eCoolPark 1.0 12V
Voltage	12V
Capacity	6,980 BTU/hr (2 kW)
Amps	12.7 A/h
Maximum air flow	280 SCFM (425 m <sup>3</sup> /hr)
Dimensions (W x H x D)	11.46in x 15.88in x 7.38in (291mm x 403mm x 188mm)
Weight*	42 lb (19,1 kg)
Mounting Position	Inside Vehicle

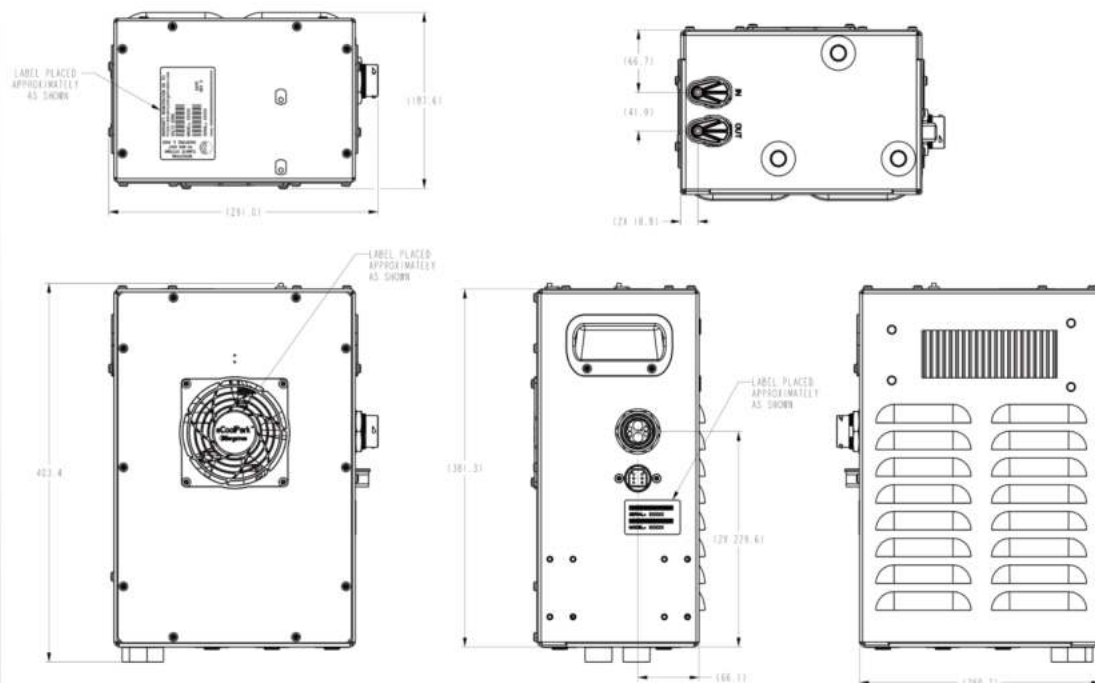
\*Overall system weight will vary dependent on installation kit used, batteries and battery box options.

Unless otherwise stated, performance measurements are conducted in accordance with SAE J638 for heaters and IMACA 200 for evaporators.

*Minimum alternator required: 12V = 185-200 A/h recommended*

*Minimum battery required: 4 Group 31 AGM 100 A/h deep cycle batteries*

Line Drawing



eProduct Systems

eCoolPark™ 1.0 Order Guide

Part*	Part Number	Notes
Unit Part Number	<b>1002416180</b>	AC Only
Installation Kit	<b>1002631356</b>	Universal
Vehicle Installation Kit	Contact your Regional Sales Manager to help choose the right install kit for your vehicle.	



When placing an order please contact your sales representative to review your order to ensure the proper system has been identified for your vehicle application.

Availability of the products shown in this catalog is subject to change without notice by Bergstrom, Inc. For the most current product information please visit the Bergstrom Distributor website at <https://parts.shop.bergstrominc.com/>.

**Warranty**

\* 2-year limited warranty on parts and systems

NAME	VOLTS	DESCRIPTION
 <b>BATTERY BOXES</b>		eProduct Systems

## Aluminum or steel we've got you covered. The perfect storage for your NITE auxiliary batteries

### Aluminum 4 Battery Between Rail Battery Box

30 1/2" w x 12" h x 28" l / 775mm x 305mm x 711mm

50 lb (22.7 kg)

**Part Number 1000270409**

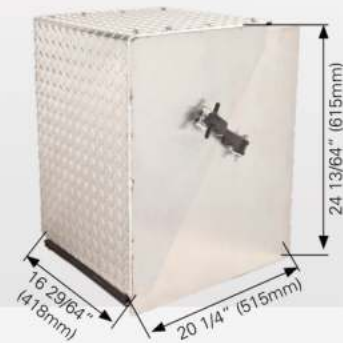


### Aluminum 4 Battery Vertical Clamp On Battery Box

16 29/64" w x 24 13/64" h x 20 1/4" d / 418mm x 615mm x 515mm

48 lb (21.8 kg)

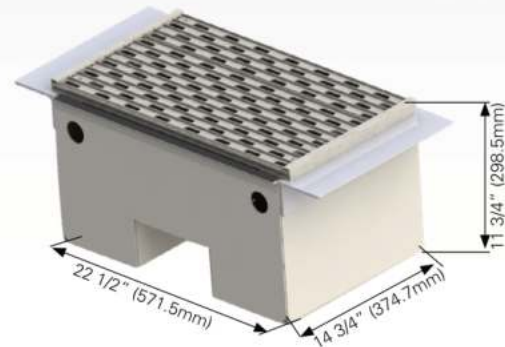
**Part Number 1000163931**



### Two Aluminum Half Pack Battery Between Rail Battery Box

22 1/2" w x 11 3/4" h x 14 3/4" d / 571.5mm x 298.5mm x 374.7mm

**Part Number 1001756154**





NAME	VOLTS	DESCRIPTION
<b>HEATER OPTIONS</b>		eProduct Systems

eProduct Systems

## Espar Heater Options

You just want to heat the vehicle interior and it has to be fast? Then an Eberspächer Airtronic air heater is the perfect solution for you. Your vehicle will reach the desired temperature in the shortest possible time: interior air is drawn in, heated and then blown back into the interior. As the heating is exceptionally economical, long operating times are not a problem, and you can precisely control the temperature yourself – how warm it should be during the day and night.

### THE AIRTRONIC ADVANTAGES:

- Fast interior air heating with high performance power setting for especially short heating times.
- Stops condensation from forming on the windscreen.
- Automatic continuous interior temperature control with temperature pre-selection.
- With the lowest setting on the market (850 – 900 W), it is extremely quiet.
- Quiet night operation.
- Low fuel and electricity consumption – ideal when long periods of use are required.
- Compact devices that save space and are easy to install.

### Espar Heater Kit, 12V

4 1/2" w x 4 13/16" h x 12 3/16" l / 114.3mm x 121.9mm x 309.9mm

6 lb (2.7 kg)

Part Number 1002823344



When placing an order please contact your sales representative to review your order to ensure the proper system has been identified for your vehicle application.

Availability of the products shown in this catalog is subject to change without notice by Bergstrom, Inc. For the most current product information please visit the Bergstrom Distributor website at <https://parts.shop.bergstrominc.com/>.

#### Warranty

\* 2-year limited warranty on parts and systems

<small>NAME</small> <b>EPRODUCT SERVICE PARTS</b>	<small>VOLTS</small> 	<small>DESCRIPTION</small> eProduct Systems
--	--------------------------	--

**Part No: 500198**



Air Return Grille

**Part No: 514100**



Flat Washer, No 10-M5

**Part No: 520152**



Blower Gasket, R.H.

**Part No: 520154**



Blower Gasket, Top

**Part No: 520155**



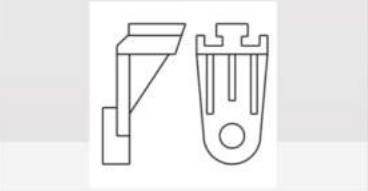
Blower Bottom Gasket

**Part No: 520832**



Split Grommet (must order in increments of 25)

**Part No: 530159**



Mount Fan Spal Bracket

**Part No: 531019**



Duct Collar

**Part No: 559506**



O-Ring (must order in increments of 25)

**Part No: 589790**



Plate Control

**Part No: 591530**



Valve Spool

**Part No: 600115**



No 10 Truss Head Screw, 8-15X.280

**Part No: 600187**



Plastite No8-16 C .75 In Torx

**Part No: 620280**



Switch Jam Nut, 7/16-28 (must order in increments of 10)

**Part No: 630001**



Motor Mounting Clamp, Wire

 <b>EPRODUCT SERVICE PARTS</b>	VOLTS	DESCRIPTION
		eProduct Systems

**Part No: 630049**



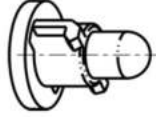
Knob-To-Shaft Fastener (must order in increments of 10)

**Part No: 630051**



Rod Retainer Clip

**Part No: 650656**



Light Bulb (must order in increments of 5)

**Part No: 651225**



Maxi 50 Amp Fuse

**Part No: 651383**



Battery Separator NITE 12V 200Amp

**Part No: 652542**



Plug In Diode

**Part No: 660757**



Wire Harness

**Part No: 868649**



Blower Housing Assembly

**Part No: 870118-S**



Blower Mounting Weldment

**Part No: 870331-S**



Heater Mounting Collar

**Part No: 100007617**



NITE Stealth Duct

**Part No: 100007618**



NITE Blower Scroll Shroud

**Part No: 1000049325**



NITE Electrical Enclosure

**Part No: 1000063838**



NITE Blower Motor with Scroll Assembly

**Part No: 1000149435**



NITE P3 Duct Gasket (3 x 10 x 300)

 <p><b>EPRODUCT SERVICE PARTS</b></p>	<p>VOLTS</p>	<p>DESCRIPTION</p> <p>eProduct Systems</p>
---	--------------	--

**Part No: 1000168452**



NITE Wire Harness

**Part No: 1000168631**



NITE system Duct Collar

**Part No: 1000174251**



NITE Mega 100 Amp Yellow Fuse

**Part No: 1000174286**



NITE Mega Bolt-On Fuse holder

**Part No: 1000184211**



NITE Phoenix Upper Duct

**Part No: 1000185196**



NITE Side Collar

**Part No: 1000186017**



NITE Assembly Duct

**Part No: 1000213522**



NITE HVAC Control Kit

**Part No: 1000214538**



Self Tapping Screw, #10 X 1/2

**Part No: 1000224619**



Gasket Strip

**Part No: 1000230085**



Fuse, 5A Ato

**Part No: 1000230326**



Harness, Jumper

**Part No: 1000230792**



NITE Phoenix Standard Installation Kit

**Part No: 1000235371**



Wire Loom, .413 Id X 140 Ft

**Part No: 1000236036**



Wire Loom, .413 Id X 70 Ft

<small>NAME</small> <b>EPRODUCT SERVICE PARTS</b>	<small>VOLTS</small> 	<small>DESCRIPTION</small> eProduct Systems
--	--------------------------	--

**Part No: 1000236697**



NITE Phoenix Kenworth T700/2000 Installation Kit

**Part No: 1000236701**



NITE Phoenix Installation Kit for Kenworth T680/T880

**Part No: 1000236731**



NITE Phoenix Installation Kit for Volvo

**Part No: 1000236773**



NITE Phoenix Freightliner P2 Installation Kit

**Part No: 1000236777**



NITE Phoenix Installation Kit for International ProStar/Lonestar

**Part No: 1000255856**



Trojan Battery, 12V Agm 31

**Part No: 1000259751**



Trojan Battery 4-Pack

**Part No: 1000285448**



NITE Phoenix Western Star Installation Kit

**Part No: 1000345678**



Pressure Switch Jumper Harness

**Part No: 1000390653**



Power Relay

**Part No: 1000439603**



Door Gravity Kit

**Part No: 1000555333**



Water Valve Service Tool, (must order in increments of 25)

**Part No: 1000564554**



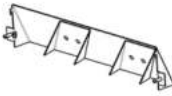
Elbow Duct, 4 Inch

**Part No: 1000571136**



Compressor Control Service Kit

**Part No: 1000623977**



Air Deflector Kit

 <p><b>EOPRODUCT SERVICE PARTS</b></p>	<p>VOLTS</p>	<p>DESCRIPTION</p> <p>eProduct Systems</p>
--	--------------	--

**Part No: 1000631209**



Stepper Tonex Actuator

**Part No: 1000641929**



Relay, 150A 12V

**Part No: 1000830137**



Air Filter, Framed Air

**Part No: 1000913789**



NITE SSI External Condenser Cover

**Part No: 1000921339**



NITE SSI System Controller

**Part No: 1000947181**



P3 Split Control Kit

**Part No: 1000948088**



5-Way Male Connector

**Part No: 1000948225**



P3 Split Control Service Oil Kit

**Part No: 1001029579**



Service NITE Phnx Control Kit

**Part No: 1001181161**



F/A Assembly Screen

**Part No: 1001240076-S**



NITE SSI Condenser Mounting Bracket

**Part No: 1001275398**



NITE SSI International 9000i Installation Kit

**Part No: 1001275456**



NITE SSI Freightliner Installation Kit

**Part No: 1001275466**



NITE SSI Volvo VN/W Installation Kit

**Part No: 1001276271**



NITE SSI Kenworth T700/ T2000 and Western Star Installation Kit

<small>NAME</small> <b>EPRODUCT SERVICE PARTS</b>	<small>VOLTS</small> 	<small>DESCRIPTION</small> eProduct Systems
--	--------------------------	--

<p><b>Part No: 1001276274</b></p>  <p>NITE SSI Standard Installation Kit</p>	<p><b>Part No: 1001330470</b></p>  <p>NITE Phoenix Silent Kit</p>	<p><b>Part No: 1001592577</b></p>  <p>NITE Service Control</p>
<p><b>Part No: 1001697266</b></p>  <p>NITE Phoenix Retro Kit</p>	<p><b>Part No: 1001780189</b></p>  <p>44G Filter Kit</p>	<p><b>Part No: 1001819763</b></p>  <p>Valeo Horizontal No. 8 - No. 10 O-Ring Cylinder Head</p>
<p><b>Part No: 1002186970</b></p>  <p>NITE Phoenix Installation Kit for Mack Anthem</p>	<p><b>Part No: 1002187206</b></p>  <p>NITE SSI Installation Kit for Mack Anthem</p>	<p><b>Part No: 1002364849</b></p>  <p>eCoolPark 1.5 AC Install Kit, Freightliner M2</p>
<p><b>Part No: 1002379748</b></p>  <p>eCoolPark 1.0 AC Install Kit, Chevy Tahoe &amp; GMC Yukon</p>	<p><b>Part No: 1002386000</b></p>  <p>eCoolPark 1.0 AC Install Kit, Ford Explorer &amp; Interceptor</p>	<p><b>Part No: 1002493430</b></p>  <p>NITE Battery Monitor System, DTNA</p>
<p><b>Part No: 1002493457-S</b></p>  <p>NITE SSI Battery Management System</p>	<p><b>Part No: 1002493785</b></p>  <p>NITE Phoenix Control Panel</p>	<p><b>Part No: 1002631357</b></p>  <p>eCoolPark 1.5 Universal Kit</p>

	NAME <b>EPRODUCT SERVICE PARTS</b>	VOLTS 	DESCRIPTION eProduct Systems
--	---------------------------------------	-----------	---------------------------------

**Part No: 1002839006**



eCoolPark Electrical Reprogramming Kit

**Part No: B200115**



Pan Head Tap Polys Screw, No. 6 X 3/75 (must order in increments of 25)

**Part No: B200307**



Slot Hex Washer Hd Screw, No. 10 X .50 (must order in increments of 25)

**Part No: B202208**



Flat Sae Std Steel Washer, 1/4 (must order in increments of 25)

**Part No: B223109**



Fuse Holder

**Part No: B290012**




Pushnut Pal 3/16 (must order in increments of 10)

**Part No: B290215**



Clip U (must order in increments of 5)

**Part No: B300571**



Edging Bulk

**Part No: B342550**



1 in Arrow Tape

**Part No: B351900**



Spg Rubber, Ps .75 X 1.0 X Bulk

**Part No: B352700**



Ure P.S. .25 X .50 X Bulk Chrt

**Part No: B354011**



Shim Motor Vented

**Part No: B360274**



Speed Fastener (must order in increments of 10)

**Part No: B360692**



Hose Adaptor Grommet-No. 6 And No. 10 (must order in increments of 10)

**Part No: F45-1001**



Louver Bezel



<small>NAME</small> <b>EPRODUCT SERVICE PARTS</b>	<small>VOLTS</small> 	<small>DESCRIPTION</small> eProduct Systems
--	--------------------------	--

**Part No: F45-1002**



AC Louver





# Rooftop Systems

Rooftop Systems

<b>Integral Power Manual</b>	<b>428</b>
<b>KA-300</b>	<b>430</b>
<b>HD-1000 Service Guides</b>	<b>432</b>

When placing an order please contact your sales representative to review your order to ensure the proper system has been identified for your vehicle application.

All Aftermarket systems have a 1-year warranty.

Availability of the products shown in this reference guide is subject to change without notice by Bergstrom, Inc. For the most current product information please visit the Bergstrom Distributor website at <https://shop.bergstrominc.com/>.



NAME  
**INTEGRAL POWER  
MANUAL**

VOLTS  
**12 | 24**

DESCRIPTION  
**Battery-Operated  
Rooftop System**



### Features

- Electrical AC unit
- Interior control panel
- Pre-charged system with R-134a refrigerant
- Hermetically-sealed compressor
- Battery-Operated

### Air Distribution and Control Panel



### Suggested Applications



### Technical Specifications

Model	Integral Power 12V	Integral Power 24V
Voltage	12V	24V
Capacity*	5,635 BTU/hr (1,65 kW)	5,635 BTU/hr (1,65 kW)
Amps**	61 A/h	61 A/h
Maximum air flow	182 SCFM (310 m <sup>3</sup> /hr)	182 SCFM (310 m <sup>3</sup> /hr)
Dimensions (L x W x H)	26.14in x 30.12in x 8.54in (664mm x 765mm x 217mm)	26.14in x 30.12in x 8.54in (664mm x 765mm x 217mm)
Weight	95.9 lb (43,5 kg)	95.9 lb (43,5 kg)
Mounting Position	Roof	Roof

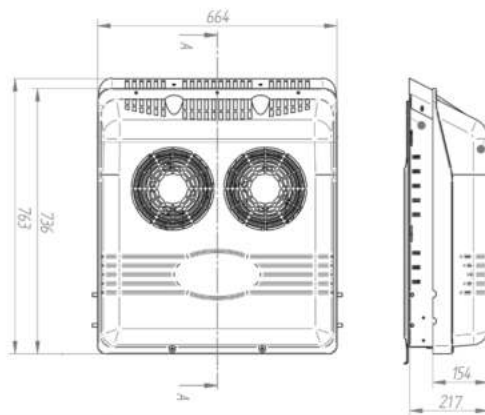
(\*) System output (BTU/hr) is based on system component-calculated capacities in accordance with JIS standard test conditions: outside temperature 95°F (35°C), return temperature 80°F (27°C).

(\*\*) Test conditions: outside temperature between 86°F (30°C) and 107°F (42°C).

Unless otherwise stated, performance measurements are conducted in accordance with SAE J638 for heaters and IMACA 200 for evaporators.

Minimum alternator required: **12V** = upsized by 75 A/h / **24V** = upsized by 60 A/h

Line Drawing



A/C Switch Fan Switch

Rooftop Systems

Integral Power Manual Order Guide

Part	Part Number	Notes
Unit Part Number*	<b>1002966740</b> <b>1002976941</b>	12V Manual AC Kit 24V Manual AC Kit

\*Installation kit included with the system.



When placing an order please contact your sales representative to review your order to ensure the proper system has been identified for your vehicle application.

Availability of the products shown in this catalog is subject to change without notice by Bergstrom, Inc. For the most current product information please visit the Bergstrom Distributor website at <https://parts.shop.bergstrominc.com/>.

**Warranty**

• 1-year limited warranty



VOLTS  
12 | 24

DESCRIPTION  
Engine-Driven  
Rooftop AC  
System



System comes with chrome hardware kit. A black hardware kit is also available.

### Suggested Applications



### Features

- Heavy-duty steel base construction
- Integrated double wheel plastic blower
- Headliner control panel with integrated light
- Adjustable thermostat control
- Variable speed blower switch
- Integrated receiver drier and single fan condenser
- High & low pressure switch
- Order compressor separately
- Order hose kit separately

### Air Distribution and Control Panel

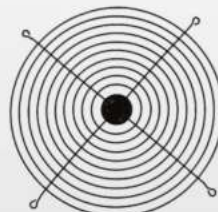
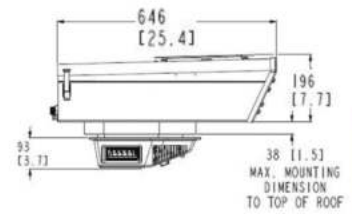
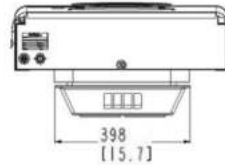
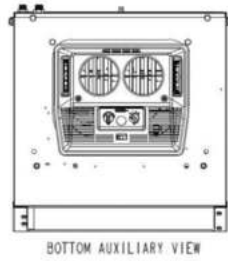
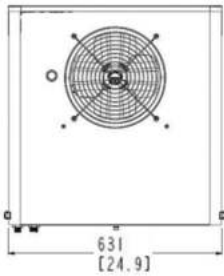


### Technical Specifications

Model	KA300-12	KA300-24
Voltage	12V	24V
Capacity	18,900 BTU/hr (5,5 kW)	18,900 BTU/hr (5,5 kW)
Amps	26 A	13 A
Maximum air flow	245 SCFM (416 m <sup>3</sup> /hr)	245 SCFM (416 m <sup>3</sup> /hr)
Dimensions (L x W x H)	25.39in x 24.84in x 7.72in (645mm x 631mm x 196mm)	25.39in x 24.84in x 7.72in (645mm x 631mm x 196mm)
Weight	74 lb (33.6 kg)	74 lb (33.6 kg)
Mounting Position	Roof	Roof
Refrigeration Inlet	1/2" (#8) tube inverted male o-ring (3/4-16 UNF thread)	1/2" (#8) tube inverted male o-ring (3/4-16 UNF thread)
Refrigeration Outlet	5/8" (#10) tube inverted male o-ring (7/8-14 UNF thread)	5/8" (#10) tube inverted male o-ring (7/8-14 UNF thread)

Unless otherwise stated, performance measurements are conducted in accordance with SAE J638 for heaters and IMACA 200 for evaporators.

Line Drawing



1000335550

Rooftop Systems

KA300 Order Guide

Part	Part Number	Notes
Unit Part Number*	1001203448	12V

\*Installaton kit included with th system.

KA300 Service Parts Guide

Part	Catalog / Part Number	Notes
Resistor	1000303297	24V
Thermostat	B404028	24V
Evaporator	B400074	24V
Fan Switch	B220743	24V
Expansion Valve	1001443791	24V
Switch (High, Low)	1000948101	24V
Condenser	B401102	24V
R-134a Hose Kits	B416964 B416965	18 ft. 24 ft.
Cover Assembly	1000365536	-
Black Guard Fan	1000335550	Option to purchase black versus standard chrome



When placing an order please contact your sales representative to review your order to ensure the proper system has been identified for your vehicle application.

Availability of the products shown in this catalog is subject to change without notice by Bergstrom, Inc. For the most current product information please visit the Bergstrom Distributor website at <https://parts.shop.bergstrominc.com/>.

Warranty

• 1-year limited warranty

### HD-1000 AC Service Parts Guide

Part	Part Number	Notes
Blower Assembly	<b>519703</b>	12V
Resistor	<b>1000303268</b> <b>1000303297</b>	12V 24V
Thermostat	<b>B404028</b>	12V / 24V
Expansion Valve	<b>1001443791</b>	12V / 24V
Air Filter Kit	<b>B416998</b>	24V
R-134a Hose Kits	<b>B416964</b> <b>B416965</b>	18 ft. 24 ft.
Black Guard Fan	<b>1000335550</b>	Option to purchase black versus standard chrome

### HD-1000 HVAC Service Parts Guide

Part	Part Number	Notes
Blower Assembly	<b>519703</b>	12V
Resistor	<b>1000303268</b> <b>1000303297</b>	12V 24V
Condenser	<b>B401080</b>	12V / 24V
Thermostat	<b>B404028</b>	12V / 24V
Water Valve	<b>B173089</b>	12V / 24V
Expansion Valve	<b>1001443791</b>	12V / 24V
Receiver Drier	<b>1001452040</b>	12V / 24V
R-134a Hose Kits	<b>B416964</b> <b>B416965</b>	18 ft. 24 ft.
Black Guard Fan	<b>1000335550</b>	Option to purchase black versus standard chrome





# Engine-Driven Headliner Systems

Engine-Driven Headliner

Dash Mount AC	434
Kelvin AC	436
Kelvin HVAC	438
Pascal AC	440
KA-400 Slimline Service Guide	442
KK-400 Slimline Service Guide	442
KK-500 Hardhat Service Guide	443

When placing an order please contact your sales representative to review your order to ensure the proper system has been identified for your vehicle application.

All Aftermarket systems have a 1-year warranty.

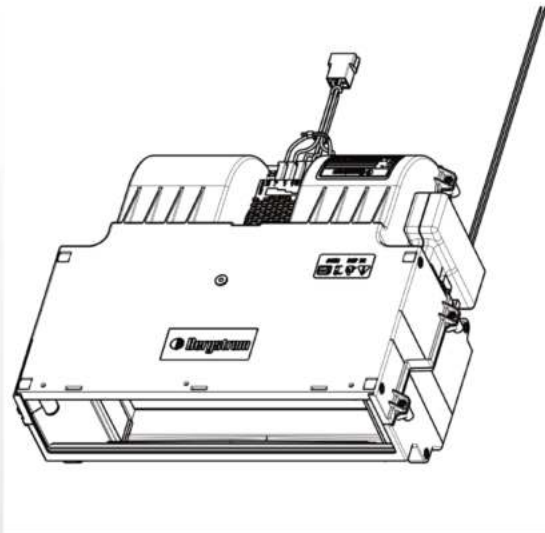
Availability of the products shown in this reference guide is subject to change without notice by Bergstrom, Inc. For the most current product information please visit the Bergstrom Distributor website at <https://shop.bergstrominc.com/>.



NAME  
**DASH MOUNT AC**

VOLTS  
**12 | 24**

DESCRIPTION  
**Engine-Driven  
Headliner AC  
System**



**Features**

- Heavy-duty steel construction
- Low profile headliner mount AC
- Double wheel blower
- 3-speed blower switch
- Adjustable thermostat control
- Easy access refrigerant hose connections
- (5) Directional shut-off louvers

**Suggested Applications**



**Dash Mount Technical Specifications**

Model	Dash Mount 12V
Voltage	12V
Capacity	20,473 BTU/hr (6 kW)
Amps	
Maximum air flow	
Dimensions (L x W x H)	16.5in x 14.82in x 6.5in (421mm x 360mm x 150mm)
Weight	
Mounting Position	Headliner

Unless otherwise stated, performance measurements are conducted in accordance with SAE J638 for heaters and IMACA 200 for evaporators.





12 | 24

DESCRIPTION  
Engine-Driven  
Headliner AC  
System



**Features**

- Shell constructed with durable molded plastic
- Integrated twin scroll blower
- 4 air outlets (choice of spigot or louver)
- 3 fan speeds
- TXV included

**Air Distribution and Control Panel**



**Suggested Applications**



**Recommended Condenser**



**KC-750**

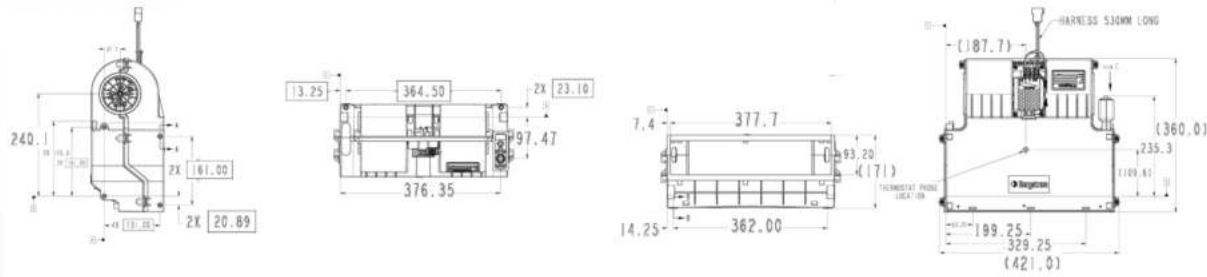
**Kelvin AC Technical Specifications**

Model	Kelvin AC 12V
Voltage	12V
Capacity	20,810 BTU/hr (6,1 kW)
Amps	21.6 A/h
Maximum air flow	460 SCFM (780 m <sup>3</sup> /hr)
Dimensions (L x W x H)	14.71in x 16.53in x 6.69in (360mm x 421mm x 170mm)
Weight	14.3 lb (6,5 kg)
Mounting Position	Horizontal (Floor or Headliner)

(\*) System output (BTU/hr) is based on system component-calculated capacities in accordance with ISO1515 standard test conditions: outside temperature 100°F (38°C), humidity 40%.

Unless otherwise stated, performance measurements are conducted in accordance with SAE J638 for heaters and IMACA-200 for evaporators.

Line Drawing



1001004175



1001004181



1001161239



1001015622



1001013646

Engine-Driven Headliner

Kelvin AC Order Guide\*

Part	Part Number	Notes
Unit Part Number	1000813037	12V
Harness	1001404667	4 meters of hose for 12V
	1001397464	8 meters of hose for 12V
	1001404882	4 meters of hose for 24V
Control Panel	1001157329	Vertical 12V
	1001165354	Horizontal 12V
Fascia Panel	1001004175	Four Spigot Outlets
	1001004181	Four Chrome and Black Louvers
	1001161239	Four Black and Black Louvers
Bracket	1001013646	Floor/Ceiling Mount
	1001015622	Wall/Bulkhead Mount
Condensate Kit	1000988616	Single Side
	1000988618	Double Side

\*Must purchase option in each category of the order guide for proper installation.

Kelvin AC Service Parts Guide

Part	Part Number	Notes
Resistor	1000067312	12V
Actuator	1000593041	12V
Thermostat	1000541645	12V



When placing an order please contact your sales representative to review your order to ensure the proper system has been identified for your vehicle application.

Availability of the products shown in this catalog is subject to change without notice by Bergstrom, Inc. For the most current product information please visit the Bergstrom Distributor website at <https://parts.shop.bergstrominc.com/>.

Warranty

• 1-year limited warranty



NAME  
**KELVIN HVAC**

12 | 24

DESCRIPTION  
Engine-Driven  
Headliner  
HVAC System



**Features**

- Shell constructed with durable molded plastic
- Integrated twin scroll blower
- 4 air outlets (choice of spigot or louver)
- 3 fan speeds
- TXV included
- Integrated heater core

**Air Distribution and Control Panel**



*Spigot*



*Louver*



**Suggested Applications**



**Recommended Condenser**



**KC-750**

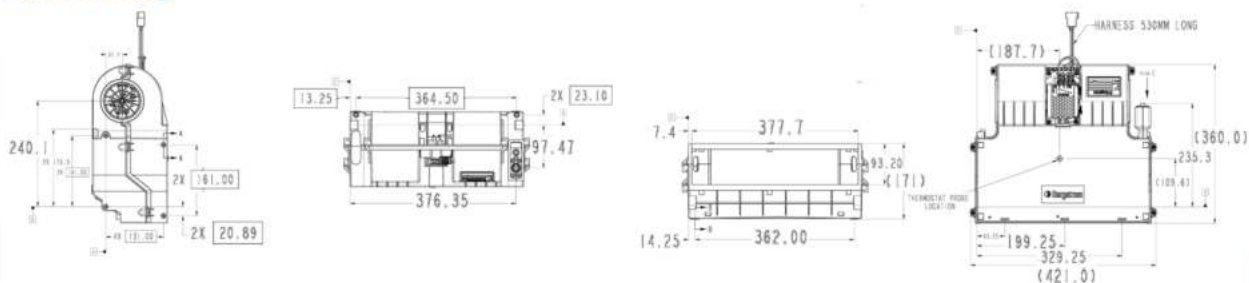
**Kelvin HVAC Technical Specifications**

Model	Kelvin HVAC 12V	Kelvin HVAC 24V
Voltage	12V	24V
Capacity	Cold: 20,810 BTU/hr (6,1 kW) Hot: 32,410 BTU/hr (9,6 kW)	Cold: 20,810 BTU/hr (6,1 kW) Hot: 32,410 BTU/hr (9,6 kW)
Amps	21.6 A/h	11 A/h
Maximum air flow	460 SCFM (780 m <sup>3</sup> /hr)	460 SCFM (780 m <sup>3</sup> /hr)
Dimensions (L x W x H)	14.71in x 16.53in x 6.69in (360mm x 421mm x 170mm)	14.71in x 16.53in x 6.69in (360mm x 421mm x 170mm)
Weight	13.9 lb (6.5 kg)	13.9 lb (6.5 kg)
Mounting Position	Horizontal (Floor or Headliner)	Horizontal (Floor or Headliner)

(\*) System output (BTU/hr) is based on system component-calculated capacities in accordance with ISO1515 standard test conditions: outside temperature 100°F (38°C), humidity 40%.

Unless otherwise stated, performance measurements are conducted in accordance with SAE J638 for heaters and IMACA-200 for evaporators.

Line Drawing



1001004175



1001004181



1001161239



1001015622



1001013646

Engine-Driven Headliner

Kelvin HVAC Order Guide\*

Part	Part Number	Notes
Unit Part Number	1000813036	12V
	1000813038	24V
Harness	1001404667	4 meters of hose for 12V
	1001397464	8 meters of hose for 12V
	1001404882	4 meters of hose for 24V
Control Panel	1001159300	Vertical
	1001327197	Horizontal
Fascia Panel	1001004175	Four Spigot Outlets
	1001004181	Four Chrome and Black Louvers
	1001161239	Four Black and Black Louvers
Bracket	1001013646	Floor/Ceiling Mount
	1001015622	Wall/Bulkhead Mount
Condensate Kit	1000988616	Single Side
	1000988618	Double Side

\*Must purchase option in each category of the order guide for proper installation.

Kelvin HVAC Service Parts Guide

Part	Part Number	Notes
Resistor	1000067312	12V / 24V
Actuator	1000593041	12V / 24V
Thermostat	1000541645	12V / 24V
Water Valve Kit	1002895726	12V / 24V



When placing an order please contact your sales representative to review your order to ensure the proper system has been identified for your vehicle application.

Availability of the products shown in this catalog is subject to change without notice by Bergstrom, Inc. For the most current product information please visit the Bergstrom Distributor website at <https://parts.shop.bergstrominc.com/>.

Warranty

• 1-year limited warranty

 <b>NAME</b> <b>PASCAL AC</b>	<b>VOLTS</b> <b>12</b>	<b>DESCRIPTION</b> <b>Engine-Driven Headliner AC System</b>
--	---------------------------	--



**Features**

- Shell constructed with durable molded plastic
- Integrated twin scroll blowers
- 3 air outlets (choice of spigot or louver)
- 3 fan speeds
- TXV included

**Air Distribution and Control Panel**



**Suggested Applications**



**Recommended Condenser**



**KC-500**



**KC-750**

**Pascal AC Technical Specifications**

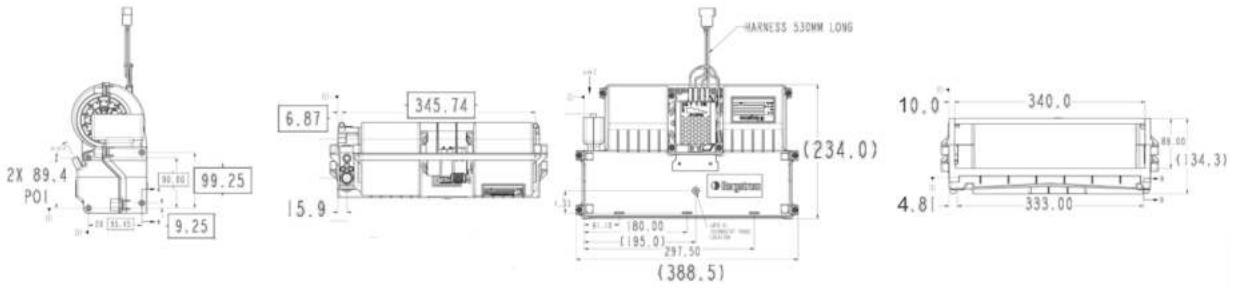
Model	Pascal AC 12V	Pascal AC 24V
Voltage	12V	24V
Capacity	13,649 BTU/hr (4 kW)	13,649 BTU/hr (4 kW)
Amps	20 A	10.5 A
Maximum air flow	410 SCFM (650 m <sup>3</sup> /hr)	410 SCFM (650 m <sup>3</sup> /hr)
Dimensions (L x W x H)	15.3in x 9.21in x 5.29in (234mm x 88.5mm x 134.3mm)	15.3in x 9.21in x 5.29in (234mm x 88.5mm x 134.3mm)
Weight	8.04 lb (3.8 kg)	8.04 lb (3.8 kg)
Mounting Position	Horizontal (Floor or Headliner)	Horizontal (Floor or Headliner)

(\*) System output (BTU/hr) is based on system component-calculated capacities in accordance with ISO1515 standard test conditions: outside temperature 100°F (38°C), humidity 40%.

Unless otherwise stated, performance measurements are conducted in accordance with SAE J638 for heaters and IMACA 200 for evaporators.



Line Drawing



1001004144



1001015619



1001161278



1001013603



1001015620

Engine-Driven Headliner

Pascal AC Order Guide\*

Part	Part Number	Notes
Unit Part Number	1000812940	12V
	1000814236	24V
Harness	1001404667	4 meters of hose for 12V
	1001397464	8 meters of hose for 12V
	1001404882	4 meters of hose for 24V
Control Panel	1001157329	Vertical
	1001165354	Horizontal
Fascia Panel	1001015619	Three Chrome and Black Louvers
	1001004144	Three Spigot Outlets
	1001161278	Three Black and Black Louvers
Bracket	1001015620	Floor/Ceiling Mount
	1001013603	Wall/Bulkhead Mount
Condensate Kit	1000988616	Single Side
	1000988618	Double Side

\*Must purchase option in each category of the order guide for proper installation.



When placing an order please contact your sales representative to review your order to ensure the proper system has been identified for your vehicle application.

Availability of the products shown in this catalog is subject to change without notice by Bergstrom, Inc. For the most current product information please visit the Bergstrom Distributor website at <https://parts.shop.bergstrominc.com/>.

Warranty

• 1-year limited warranty

	<small>NAME</small> <b>KA-400 SLIMLINE SERVICE GUIDE</b>	<small>VOLTS</small> <b>12   24</b>		<small>DESCRIPTION</small> <b>Engine-Driven Headliner AC System</b>

### KA-400 Slimline Order Guide\*

Part	Part Number	Notes
Installation Kit (includes receiver drier and hoses)*	<b>B417261</b>	12V

\*Must purchase all parts in order guide for proper installation.

### KA-400 Slimline Service Parts Guide

Part	Part Number	Notes
Resistor	<b>1000303268</b>	12V
	<b>1000303297</b>	24V
Fan Switch	<b>650657</b>	12V
	<b>650657</b>	24V
Expansion Valve	<b>1001443791</b>	12V
	<b>1001443791</b>	24V
Thermostat	<b>B404075</b>	12V
	<b>B404075</b>	24V

	<small>NAME</small> <b>KK-400 SLIMLINE SERVICE GUIDE</b>	<small>VOLTS</small> <b>12   24</b>		<small>DESCRIPTION</small> <b>Engine-Driven Backwall HVAC System</b>

### KK-400 Slimline Order Guide\*

Part	Part Number	Notes
Installation Kit (includes receiver drier and hoses)*	<b>B417261</b>	12V
	<b>B417261</b>	24V

\*Must purchase all parts in order guide for proper installation.

### KK-400 Slimline Service Parts Guide

Part	Part Number	Notes
Resistor	<b>1000303268</b>	12V
	<b>1000303297</b>	24V
Fan Switch	<b>650657</b>	12V
	<b>650657</b>	24V
Expansion Valve	<b>1001443791</b>	12V
	<b>1001443791</b>	24V
Thermostat	<b>B404075</b>	12V
	<b>B404075</b>	24V



NAME  
**KK-500 HARDHAT  
SERVICE GUIDE**

VOLTS  
**12 | 24**

DESCRIPTION  
**Engine-Driven  
Backwall  
HVAC System**

### KA-500 Hardhat Service Parts Guide

Part	Part Number	Notes
Blower Motor	<b>519714</b>	12V
Resistor	<b>1000303268</b>	12V
	<b>1000303297</b>	24V
Thermostat	<b>B404075</b>	12V
	<b>B404075</b>	24V
Fan Switch	<b>650657</b>	12V
	<b>650657</b>	24V
Fresh Air Filter	<b>B407176</b>	12V
	<b>B407176</b>	24V
Expansion Valve	<b>1001443791</b>	12V
	<b>1001443791</b>	24V

Engine-Driven Headliner



When placing an order please contact your sales representative to review your order to ensure the proper system has been identified for your vehicle application.

Availability of the products shown in this catalog is subject to change without notice by Bergstrom, Inc. For the most current product information please visit the Bergstrom Distributor website at <https://parts.shop.bergstrominc.com/>.

#### Warranty

• 1-year limited warranty





# Engine-Driven Backwall Systems

Engine-Driven Backwall

<b>KK-315 Service Guide</b>	<b>446</b>
<b>KA-550 Slimline Service Guide</b>	<b>446</b>
<b>KK-550 Slimline Service Guide</b>	<b>447</b>
<b>KA-600 Backpack Service Guide</b>	<b>447</b>
<b>KA-710 Sidekick Service Guide</b>	<b>448</b>

When placing an order please contact your sales representative to review your order to ensure the proper system has been identified for your vehicle application.

All Aftermarket systems have a 1-year warranty.

Availability of the products shown in this reference guide is subject to change without notice by Bergstrom, Inc. For the most current product information please visit the Bergstrom Distributor website at <https://shop.bergstrominc.com/>.



NAME  
**KK-315 SERVICE  
GUIDE**

VOLTS  
**12 | 24**

DESCRIPTION  
Engine-Driven  
Backwall AC  
System

### KK-315 Service Parts Guide

Part	Part Number	Notes
Resistor	<b>650790</b>	12V
Thermostat	<b>B404028</b>	12V
Fan Switch	<b>650657</b>	12V
Water Valve	<b>B173131</b>	12V
Louver	<b>B360880</b>	12V



NAME  
**KA-550 SLIMLINE  
SERVICE GUIDE**

VOLTS  
**12 | 24**

DESCRIPTION  
Engine-Driven  
Backwall  
HVAC System

### KA-550 Slimline Order Guide\*

Part	Part Number	Notes
Installation Kit (includes receiver drier and hoses)	<b>B417262</b>	12V
	<b>B417262</b>	24V

\*Must purchase all parts in order guide for proper installation.

### KA-550 Slimline Service Parts Guide

Part	Part Number	Notes
Blower Motor	<b>519714</b>	12V
Resistor	<b>B220990</b>	12V
	<b>1000303297</b>	24V
Air Filter	<b>B407162</b>	12V
	<b>B407162</b>	24V
Expansion Valve	<b>1001443791</b>	12V
	<b>1001443791</b>	24V

	NAME	VOLTS	DESCRIPTION
	<b>KK-550 SLIMLINE SERVICE GUIDE</b>		

**KK550 Slimline Order Guide\***

Part	Part Number	Notes
Installation Kit (includes receiver drier and hoses)	<b>B417262</b>	12V
	<b>B417262</b>	24V

\*Must purchase all parts in order guide for proper installation.

**KK-550 Slimline Service Parts Guide**

Part	Part Number	Notes
Blower Assembly	<b>519703</b>	12V
Resistor	<b>B220990</b>	12V
	<b>B221670</b>	24V
Filter	<b>B407372</b>	12V / 24V
Expansion Valve	<b>1001443791</b>	12V / 24V
Water Valve	<b>1000488420</b>	12V / 24V
Fresh Air Filter	<b>B407162</b>	12V / 24V

Engine-Driven Backwall

	NAME	VOLTS	DESCRIPTION
	<b>KA-600 BACKPACK SERVICE GUIDE</b>		

**KK-600 Backpack Service Parts Guide**

Part	Part Number	Notes
Blower Motor	<b>519714</b>	12V
Blower Wheel	<b>B260170</b>	12V / 24V
Resistor	<b>1000303268</b>	12V
	<b>1000303297</b>	24V
Thermostat	<b>B404028</b>	12V / 24V
Expansion Valve	<b>1001443791</b>	12V / 24V
Water Valve	<b>1000488420</b>	12V / 24V



When placing an order please contact your sales representative to review your order to ensure the proper system has been identified for your vehicle application.

Availability of the products shown in this catalog is subject to change without notice by Bergstrom, Inc. For the most current product information please visit the Bergstrom Distributor website at <https://parts.shop.bergstrominc.com/>.

**Warranty**

• 1-year limited warranty

	VOLTS		DESCRIPTION Engine-Driven Backwall AC System
	12	24	

### KA-710 Sidekick Order Guide\*

Part	Part Number	Notes
Universal Installation Kit (includes receiver drier, wall mounting kit and hoses)	<b>1001685792</b>	12V

\*Must purchase all parts in order guide for proper installation.

### KA-710 Sidekick Service Parts Guide

Part	Part Number	Notes
Blower Motor	<b>519703</b>	12V
Resistor	<b>1000303268</b>	12V
Thermostat	<b>B404028</b>	12V
Fan Switch	<b>650657</b>	12V
Expansion Valve	<b>1001443791</b>	12V





# Condensers

<b>2-Fan Condenser Kit</b>	<b>450</b>
<b>2-Fan Skirt Condenser</b>	<b>452</b>
<b>3-Fan Skirt Condenser</b>	<b>454</b>
<b>KC-750</b>	<b>456</b>
<b>KC-500 Service Guide</b>	<b>458</b>

Condensers

When placing an order please contact your sales representative to review your order to ensure the proper system has been identified for your vehicle application.

All Aftermarket systems have a 1-year warranty.

Availability of the products shown in this reference guide is subject to change without notice by Bergstrom, Inc. For the most current product information please visit the Bergstrom Distributor website at <https://shop.bergstrominc.com/>.

<small>NAME</small> <b>2-FAN CONDENSER KIT</b>	<small>VOLTS</small> <b>12</b>	<small>DESCRIPTION</small> <b>Condenser</b>
---	-----------------------------------	--



**Features**

- Dual axial fan rooftop mount
- Heavy-duty steel base construction
- Heavy-duty tube and fin condenser coil
- Durable permanent magnet motor
- Integrated receiver drier
- Low pressure switch
- Relay

**Suggested Applications**



**Technical Specifications**

Model	2-Fan Condenser Kit 12V
Voltage	12V
Capacity	17,061 BTU/hr (5 kW)
Amps	
Maximum air flow	
Dimensions (W x H x D)	
Weight	
Mounting Position	
Refrigeration Inlet	
Refrigeration Outlet	

Unless otherwise stated, performance measurements are conducted in accordance with SAE J638 for heaters and IMACA 200 for evaporators.

### Line Drawing



Condensers

#### 2-Fan Condenser Kit Order Guide

Part	Part Number	Notes
Unit Part Number	1002660847	12V

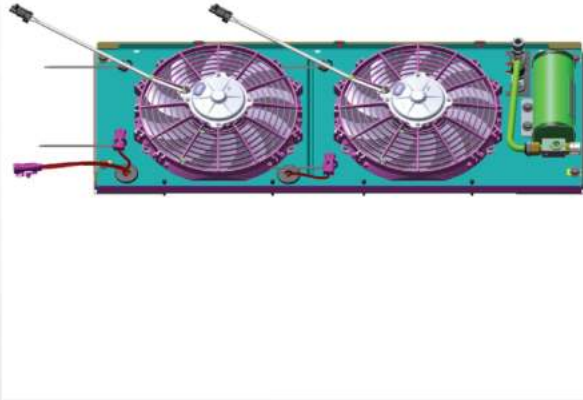


When placing an order please contact your sales representative to review your order to ensure the proper system has been identified for your vehicle application.

Availability of the products shown in this catalog is subject to change without notice by Bergstrom, Inc. For the most current product information please visit the Bergstrom Distributor website at <https://parts.shop.bergstrominc.com/>.

[Warranty](#)

NAME <b>2-FAN SKIRT CONDENSER</b>	VOLTS <b>12</b>	DESCRIPTION <b>Condenser</b>
--------------------------------------	--------------------	---------------------------------



**Features**

- Adjustable mounting brackets for easier installation
- 2-Ton thermal expansion valve for improved AC performance
- Galvannealed steel drain pans to prevent rusting and maximize durability
- Durable ABS plastic cover to prevent scratches and fractures
- Fully adjustable louvers to direct air flow and maximize comfort
- Easy serviceable filters
- Fully insulated case to prevent case sweating
- An optional driver airflow duct with fully adjustable louver to maximize driver comfort
- Bergstrom engineered
- Refrigerant line routing and refrigerant charge determined via iterative testing to optimize system performance
- Low pressure switch, high pressure switch, and freeze protection strategically engineered to protect compressor life
- Electronic freeze protection (prevents the coils from freezing out) – FYI, no one really has this functionality. (You don’t want your coil to freeze up or else you will lose performance.)

**Suggested Applications**

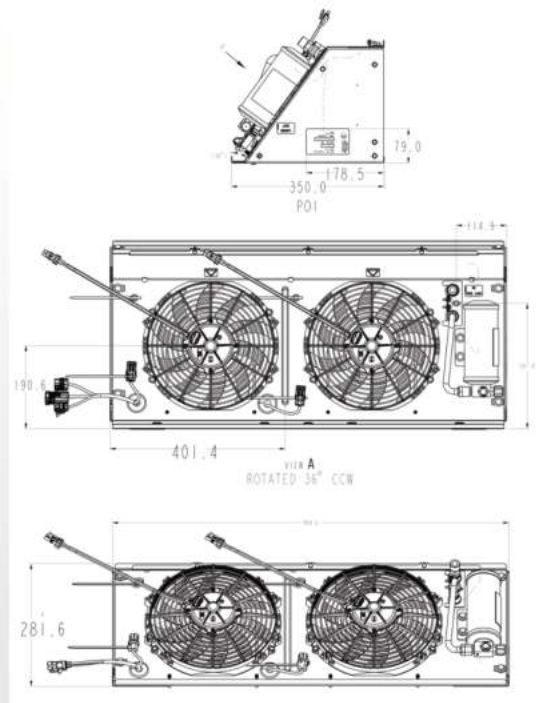


**Technical Specifications**

Model	2-Fan Skirt Condenser Kit
Voltage	12V
Capacity	51,000 BTU/hr (14,9 kW)
Amps	18 A/h
Maximum air flow	1,050 CFM (1,783.9 m3/hr)
Dimensions (W x H x D)	35.77 in x 11.09 in x 13.78 in (908.6 mm x 281.6 mm x 350.0 mm)
Weight	50 lb (21.8 kg)
Mounting Position	Skirt Mount

Unless otherwise stated, performance measurements are conducted in accordance with SAE J638 for heaters and IMACA 200 for evaporators.

Line Drawing



Condensers

2-Fan Skirt Condenser Order Guide

Part	Part Number	Notes
Unit Part Number	1002719050	12V



When placing an order please contact your sales representative to review your order to ensure the proper system has been identified for your vehicle application.

Availability of the products shown in this catalog is subject to change without notice by Bergstrom, Inc. For the most current product information please visit the Bergstrom Distributor website at <https://parts.shop.bergstrominc.com/>.

[Warranty](#)



NAME  
**3-FAN SKIRT  
CONDENSER**

VOLTS  
**12**

DESCRIPTION  
**Condenser**



## Features

- Adjustable mounting brackets for easier installation
- 2-Ton thermal expansion valve for improved AC performance
- Galvannealed steel drain pans to prevent rusting and maximize durability
- Durable ABS plastic cover to prevent scratches and fractures.
- Fully adjustable louvers to direct air flow and maximize comfort
- Easy serviceable filters
- Fully insulated case to prevent case sweating
- Bergstrom engineered
- Refrigerant line routing and refrigerant charge determined via iterative testing to optimize system performance
- Low pressure switch, high pressure switch, and freeze protection strategically engineered to protect compressor life
- Electronic freeze protection (prevents the coils from freezing out) – FYI, no one really has this functionality. (You don't want your coil to freeze up or else you will lose performance.)

## Suggested Applications

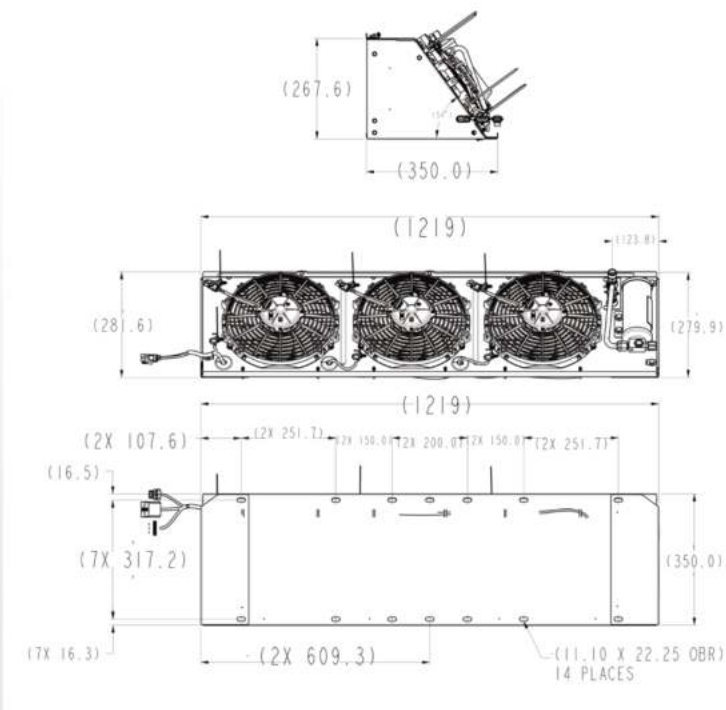


## Technical Specifications

Model	3-Fan Skirt Condenser
Voltage	12V
Capacity	76,000 BTU/hr (22,3 kW)
Amps	26.0 A/h
Maximum air flow	1,570 CFM (2,667m <sup>3</sup> /hr)
Dimensions (W x H x D)	47.99 in x 11.09 in x 13.78 in (1219 mm x 281.6 mm x 350 mm)
Weight	67 lb (30.4 kg)
Mounting Position	Skirt Mount

Unless otherwise stated, performance measurements are conducted in accordance with SAE J638 for heaters and IMACA 200 for evaporators.

Line Drawing



Condensers

3-Fan Skirt Condenser Order Guide

Part	Part Number	Notes
Unit Part Number	1003008277	12V



When placing an order please contact your sales representative to review your order to ensure the proper system has been identified for your vehicle application.

Availability of the products shown in this catalog is subject to change without notice by Bergstrom, Inc. For the most current product information please visit the Bergstrom Distributor website at <https://parts.shop.bergstrominc.com/>.

[Warranty](#)

	<p>VOLTS 12   24</p>	<p>DESCRIPTION</p>
--	--------------------------	--------------------

**Features**

- Heavy-duty steel base construction
- Dual axial fan
- Universal mount condenser
- Durable permanent magnet motor
- Heavy-duty tube and fin condenser coil



**Suggested Applications**



**Recommended Evaporator**



**KA-400**



**KA-550**



**Kelvin A/C or HVAC**



**Pascal A/C**

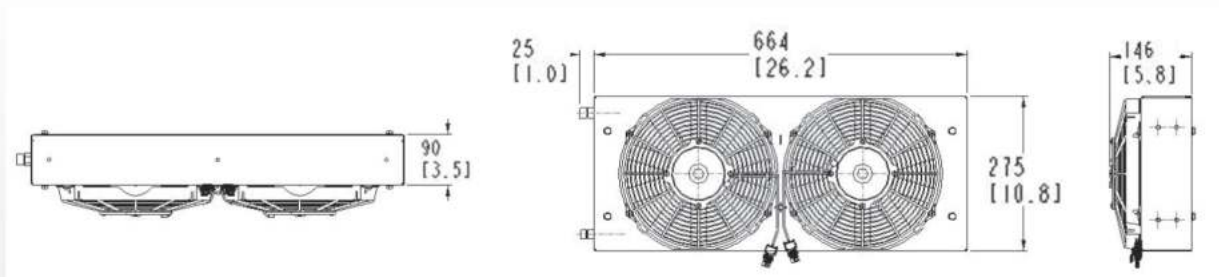
**Technical Specifications**

Model	KC-750 12V	KC-750 24V
Voltage	12V	24V
Capacity	32,075 BTU/hr (9,4 kW)	32,075 BTU/hr (9,4 kW)
Amps	20 A	10 A
Maximum air flow	1,000 SCFM (1,700 m³/hr)	1,000SCFM (1,700 m³/hr)
Dimensions (W x H x D)	26.14in x 10.83in x 5.75in (664mm x 275mm x 146mm)	26.14in x 10.83in x 5.75in (664mm x 275mm x 146mm)
Weight	13 lb (5,9 kg)	13 lb (5,9 kg)
Mounting Position	Roof or Wall	Roof or Wall
Refrigeration Inlet	1/2" (#8) tube inverted male o-ring (3/4-16 UNF thread)	1/2" (#8) tube inverted male o-ring (3/4-16 UNF thread)
Refrigeration Outlet	3/8" (#6) tube inverted male o-ring (5/8-18 UNF thread)	3/8" (#6) tube inverted male o-ring (5/8-18 UNF thread)

Unless otherwise stated, performance measurements are conducted in accordance with SAE J638 for heaters and IMACA 200 for evaporators.



Line Drawing



Condensers

KC-750 Order Guide

Part	Part Number	Notes
Unit Part Number	<b>1001590157</b>	12V with Installation Kit
Unit Part Number	<b>1001342458</b> <b>1001342463</b>	12V 24V

KC-750 Service Parts Guide

Part	Part Number	Notes
Relay	<b>B222166</b> <b>B222166</b>	12V 24V



When placing an order please contact your sales representative to review your order to ensure the proper system has been identified for your vehicle application.

Availability of the products shown in this catalog is subject to change without notice by Bergstrom, Inc. For the most current product information please visit the Bergstrom Distributor website at <https://parts.shop.bergstrominc.com/>.

[Warranty](#)

 <b>KC-500 SERVICE GUIDE</b>	<b>VOLTS</b> <b>24</b>	<b>DESCRIPTION</b> <b>Condenser</b>
--	---------------------------	--

### KC-500 Service Parts Guide

Part	Part Number	Notes
Condenser	<b>B401080</b>	12V
	<b>B401080</b>	24V
Condenser Fan	<b>B265600</b>	12V
	<b>B265600</b>	24V
Motor	<b>B275165</b>	12V
	<b>B275265</b>	24V



# Heaters

<b>Pascal Heater / KH810</b>	<b>460</b>
<b>KH-900</b>	<b>462</b>
<b>KH-150 Service Guide</b>	<b>464</b>
<b>KH-200 Service Guide</b>	<b>464</b>
<b>KH-300 Service Guide</b>	<b>465</b>
<b>Heater Assemblies</b>	<b>466</b>



When placing an order please contact your sales representative to review your order to ensure the proper system has been identified for your vehicle application.

All Aftermarket systems have a 1-year warranty.

Availability of the products shown in this reference guide is subject to change without notice by Bergstrom, Inc. For the most current product information please visit the Bergstrom Distributor website at <https://shop.bergstrominc.com/>.

 <b>NAME</b> <b>PASCAL HEATER / KH810</b>	<b>VOLTS</b> <b>12   24</b>		<b>DESCRIPTION</b> <b>Heater System</b>
			

**Features**

- Shell constructed with molded plastic
- Integrated twin scroll blower
- 3 air outlets (spigot/louwer)
- 3 fan speeds

**Air Distribution Panel**



*Spigot*



*Louwer*

**Suggested Applications**

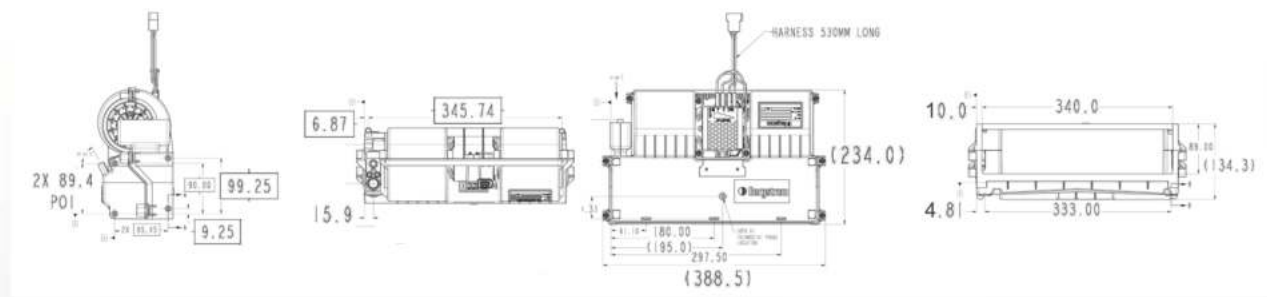


**Technical Specifications**

Model	Pascal 12V	Pascal 24V
Voltage	12V	24V
Capacity	25,590 BTU/hr (8,0 kW)	25,590 BTU/hr (8,0 kW)
Amps	10 A	5 A
Maximum air flow	265 SCFM (450 m <sup>3</sup> /hr)	265 SCFM (450 m <sup>3</sup> /hr)
Dimensions (L x W x H)	9.21in x 15.3in x 5.29in (234mm x 388.5mm x 134.3mm)	9.21in x 15.3in x 5.29in (234mm x 388.5mm x 134.3mm)
Weight	8.4 lb (3.8 kg)	8.4 lb (3.8 kg)
Mounting Position	Horizontal (Floor or Headliner)	Horizontal (Floor or Headliner)
Tube Connection	(2) 5/8" O.D.	(2) 5/8" O.D.

Unless otherwise stated, performance measurements are conducted in accordance with SAE J638 for heaters and IMACA 200 for evaporators.

Line Drawing



1001004144



1001015619



1001161278



1001013603



1001015620

Heaters

Pascal Heater Order Guide\*

Part	Part Number	Notes
Unit Part Number	1000813400	12V
	1000814235	24V
Control Panel	1001229640	Vertical
	1001229584	Horizontal
Fascia Panel	1001015619	Three Chrome and Black Louvers Three Spigot Outlets Three Black and Black Louvers
	1001004144	
	1001161278	
Bracket	1001015620	Floor/Ceiling Mount Wall/Bulkhead Mount
	1001013603	
Condensate Kit	1000988616	Single Side
	1000988618	Double Side

\*Must purchase one option in each category of the order guide for proper installation.

Pascal Heater Service Parts Guide

Part	Part Number	Notes
Resistor	1000067312	12V
	1000067312	24V



When placing an order please contact your sales representative to review your order to ensure the proper system has been identified for your vehicle application.

Availability of the products shown in this catalog is subject to change without notice by Bergstrom, Inc. For the most current product information please visit the Bergstrom Distributor website at <https://parts.shop.bergstrominc.com/>.

Warranty

• 1-year limited warranty



NAME  
**KH-900**

VOLTS  
**12 | 24**

DESCRIPTION  
**Heater**



### Features

- Auxiliary heater
- Heavy-duty steel construction
- (2) 5/8" O.D. tube connections
- 3-speed resistor
- Stylish compact round design
- Shock mounted motor

### Suggested Applications

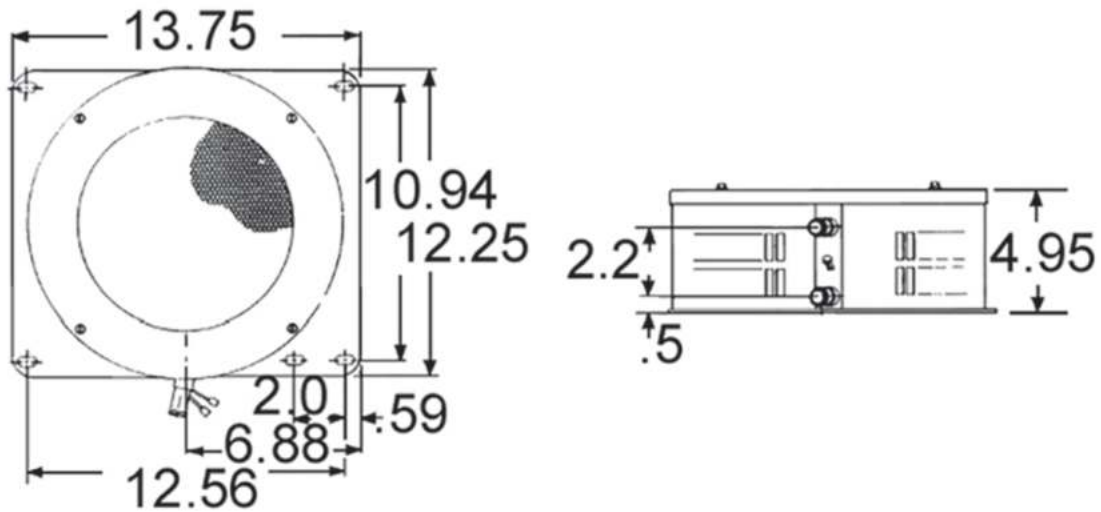


### Technical Specifications

Model	KH-900 12V	KH-900 24V
Voltage	12V	24V
Capacity	30,000 BTU/hr (8,8 kW)	30,000 BTU/hr (8,8 kW)
Amps	3.6 A	1.8 A
Maximum air flow	325 SCFM (552 m <sup>3</sup> /hr)	325 SCFM (552 m <sup>3</sup> /hr)
Dimensions (W x H x D)	13.75in x 12.25in x 5in (350mm x 311mm x 127mm)	13.75in x 12.25in x 5in (350mm x 311mm x 127mm)
Weight	11.25 lb (5.1 kg)	11.25 lb (5.1 kg)
Mounting Position	Floor	Floor
Tube Connection	(2) 5/8" O.D.	(2) 5/8" O.D.

Unless otherwise stated, performance measurements are conducted in accordance with SAE J638 for heaters and IMACA 200 for evaporators.

Line Drawing



Heaters

KH-900 Order Guide

Part	Part Number	Notes
Unit Part Number	B936213	12V (Face Blower)



When placing an order please contact your sales representative to review your order to ensure the proper system has been identified for your vehicle application.

Availability of the products shown in this catalog is subject to change without notice by Bergstrom, Inc. For the most current product information please visit the Bergstrom Distributor website at <https://parts.shop.bergstrominc.com/>.

**Warranty**

• 1-year limited warranty

VOLTS  
12DESCRIPTION  
Heater

### KH-150 Service Parts Guide

Part	Part Number	Notes
KH-150 Control Switch Kit	<b>B416617</b>	
Blower Motor	<b>1000132197</b>	12V
Blower Fan	<b>587380</b>	12V
Heater Coil	<b>108250</b>	12V
Filter	<b>525406</b>	12V

VOLTS  
12 | 24DESCRIPTION  
Heater

### KH-200 Service Parts Guide

Part	Part Number	Notes
Blower Motor	<b>1000182193</b>	12V
	<b>B274284</b>	24V
Blower Fan	<b>B265620</b>	12V
	<b>B265620</b>	24V
Control Switch Kit	<b>B416617</b>	12V
	<b>B416617</b>	24V



 <b>NAME</b> <b>KH-300 SERVICE GUIDE</b>	<b>VOLTS</b> <b>12   24</b>		<b>DESCRIPTION</b> Heater
---	--------------------------------	--	------------------------------

**KH-300 Service Parts Guide**

Part	Part Number	Notes
Blower Motor	<b>1000182193</b>	12V
Blower Fan	<b>B265620</b>	12V
Control Switch Kit	<b>B416617</b>	12V

Heaters



When placing an order please contact your sales representative to review your order to ensure the proper system has been identified for your vehicle application.

Availability of the products shown in this catalog is subject to change without notice by Bergstrom, Inc. For the most current product information please visit the Bergstrom Distributor website at <https://parts.shop.bergstrominc.com/>.

**Warranty**

• 1-year limited warranty

	HEATER ASSEMBLIES	VOLTS	DESCRIPTION Heater System
--	-------------------	-------	------------------------------

**Part No: 780017**



Heater Assembly, 80K Wallmount  
 IC Corp Cross Reference No: 448253001

**Part No: 1000136032**



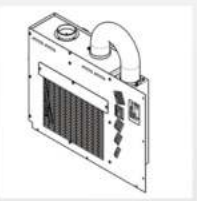
Heater Assembly  
 Blue Bird Cross Reference No: 10006651

**Part No: 1000170160**



Foot Warmer Heater

**Part No: 1000194015**



Heater Assembly - 50K  
 IC Corp Cross Reference No: 3864119C1

**Part No: 1000713079**



Heater Kit, Lf (Service)

**Part No: 100124856**



Bus Driver Heater  
 International Cross Reference No: 3661993C93

**Part No: 1002486423**



Double Seat Mount Heater  
 Blue Bird Cross Reference No: 100013871

**Part No: 1002494501**



Voltage: 12V	Speed: 2
Length: 15 7/32" (386mm)	Width: 10 15/32" (266mm)
Height: 10" (254mm)	Heater Hose Connection: 1" (25.4mm)

Underseat Single Fan Heater Assembly

**Part No: 1002949575**




Combo-Bunk-12V-Temp-K142-537-1

**Part No: 1002978752**



Speed: 2	Height: 10" (254mm)
Length: 25 1/2" (647mm)	Width: 10 1/2" (266mm)
System Power: 80,000 BTU/hr (23.4 kW)	Underseat Double Fan Heater Assembly

**Part No: 1002979466**



Voltage: 12V	Speed: 2
Length: 15 7/32" (386mm)	Width: 10 15/32" (266mm)
Height: 10" (254mm)	Heater Hose Connection: 1" (25.4mm)

Underseat Single Fan Heater Assembly

**Part No: 1002995292**



Voltage: 12V	Speed: 4
Length: 25 1/2" (648mm)	Width: 10 15/32" (266mm)
Height: 10 1/32" (255mm)	Underseat Double Fan Heater Assembly

**Part No: 1002998206**



Voltage: 12V	Speed: 2
Length: 25 1/2" (647mm)	Width: 10 15/32" (266mm)
Height: 10" (254mm)	Heater Hose Connection: 1" (25.4mm)
Underseat Double Fan Heater Assembly	

**Part No: 1002998376**



Voltage: 12V	Speed: 2
Length: 25 1/2" (647mm)	Width: 10 15/32" (266mm)
Height: 10" (254mm)	Underseat Double Fan Heater Assembly

**Part No: 1002998772**



Voltage: 12V	Speed: 2
Length: 15 7/32" (386mm)	Width: 10 15/32" (266mm)
Height: 10" (254mm)	Heater Hose Connection: 5/8" (15.9mm)
Underseat Single Fan Heater Assembly	

**Part No: 1003025544**



Voltage: 12V	Speed: 2
Length: 25 1/2" (647mm)	Width: 10 15/32" (266mm)
Height: 10" (254mm)	Dual Fan Heater Assembly

**Part No: 1003046444**



Voltage: 12V	Speed: 2
Length: 15 7/32" (386mm)	Width: 10 15/32" (266mm)
Height: 10" (254mm)	Single Fan Heater Assembly



When placing an order please contact your sales representative to review your order to ensure the proper system has been identified for your vehicle application.

Availability of the products shown in this catalog is subject to change without notice by Bergstrom, Inc. For the most current product information please visit the Bergstrom Distributor website at <https://parts.shop.bergstrominc.com/>.

**Warranty**

• 1-year limited warranty





# Bergstrom Electrified Systems (BES)

Bergstrom Electrified Systems has been designing and manufacturing main Capacityed and self-contained electric air conditioning equipment for over 40 years. Combining new technology with proven rugged design makes this equipment suitable on any mining or heavy industrial application.

When placing an order please contact your sales representative to review your order to ensure the proper system has been identified for your vehicle application.

All BES systems have a 1-year warranty.

Availability of the products shown in this reference guide is subject to change without notice by Bergstrom, Inc. For the most current product information please visit the Bergstrom Distributor website at <https://shop.bergstrominc.com/>.

<b>F-SERIES</b>	<b>471</b>
<b>FVF120 PRESSURIZER SYSTEM</b>	<b>472</b>
<b>FVV50 PRESSURIZER</b>	<b>474</b>
<b>FVV60 PRESSURIZER</b>	<b>476</b>
<b>FVV150 PRESSURIZER</b>	<b>478</b>
<b>FVW100 PRESSURIZER</b>	<b>480</b>
<b>M-SERIES</b>	<b>483</b>
<b>MPV5 HVAC SYSTEM</b>	<b>484</b>
<b>MPV9 HVAC SYSTEM</b>	<b>486</b>
<b>BES2400</b>	<b>488</b>
<b>BES2600LH</b>	<b>490</b>
<b>BES3000</b>	<b>492</b>
<b>T-SERIES</b>	<b>495</b>
<b>TBV6 HYDRAULIC COMPRESSOR</b>	<b>496</b>
<b>TCR6 CONDENSER PACKAGE</b>	<b>498</b>
<b>TDR5 HVAC SYSTEM</b>	<b>500</b>
<b>TPR6 AC SYSTEM</b>	<b>502</b>
<b>TPW5 HVAC SYSTEM</b>	<b>504</b>

Bergstrom Electrified



NAME <b>F-SERIES</b>	DESCRIPTION <b>Bergstrom Electrified System</b>
-------------------------	--

## F-Series

The F-Series is our line of filter/pressurizers. In this series you can find anything from stand-alone self-cleaning filter packages to simple canister-like add-on filters.

We've designed the series using some of the industry's most efficient filter media available and with efficiency ratings of 99% on particle sizes 0.5 microns and above.

## Filtration & Pressurization Systems

In addition to dust filters, the following options are also available:

- Filters which remove gaseous contaminants often generated at industrial processing sites in enclosed spaces (such as underground mining)
- A wide range of electrical supplies to suite site availability
- Larger capacities
- New air conditioning equipment that has higher capacity in cooling, heating and also has heavily upgraded filtration systems to be compatible with higher standards of indoor air quality
- Air compressor/receiver sets to suit self-cleaning filters

## Product Data & Specifications

Technical Specifications:					
Model	FVV50	FVV60	FVV150	FVW100	FVF120
Type of Unit	Pressurizer	Pressurizer	Pressurizer	Pressurizer	Pressurizer
Voltages Available V.D.C.	12 or 24	12 or 24	12 or 24	12 or 24	n/a
Voltages Available V.A.C.	n/a	115-1-50/60	115-1-50/60	115-1-50/60	115-1-50/60
Pressurizer Watts @ 24vdc	120	150	150	300	n/a
Pressurizer Watts @ 115vac	n/a	200	200	400	400
Pressurizer Airflow:					
Clear filter, 0.00" w.c. ESP	85 CFM (40 l/s)	170 CFM (80 l/s)	315 CFM (150 l/s)	365 CFM (175 l/s)	365 CFM (175 l/s)
0.25" w.c. ESP	18 CFM (9 l/s)	145 CFM (70 l/s)	235 CFM (110 l/s)	325 CFM (155 l/s)	325 CFM (155 l/s)
0.50" w.c. ESP	5 CFM (2.5 l/s)	126 CFM (60 l/s)	210 CFM (100 l/s)	285 CFM (135 l/s)	260 CFM (125 l/s)
Max. Fan Static Pressure Available	0.65" w.c.	2.5" w.c.	2.2" w.c.	5.3" w.c.	4.7" w.c.
No. of Blower / Motors	1	1	1	2	2
No. of Motor Speeds	1	1	1	1	Variable Speed
Method of Speed Change				manual	Auto Pres. Transducer
Pre-Cleaner ---Roughing	1	1	1	n/a	n/a
Pre-Filter ---- Disposable	n/a	n/a	n/a	n/a	n/a
No. of Final Filter Elements	1	1	2	1	8
Permanent Filter Size	5" Dia x 11" Lg	6.5" Dia x 14" Lg	14.5" Dia x 24" Lg	6" Dia x 13" Lg	5" Dia x 24" Lg
Type of Permanent Filter	Pleated	Pleated	Pleated	Pleated	Teflon Coated
Filter Material	Paper	Paper	Paper	Spun Polyester	Polyester Sock
Filtration Efficiency	See Note	See Note	See Note	99% @ 0.3 microns	99% @ 0.3 microns
Outlet Spigot	2.75" x 4.25"	3.63" x 3.63"	5.5" Dia.	4" Dia.	6" Dia.
Compressed Air Inlet				3/8" FPT	3/8" FPT
Compressed Air Pres. Req'd				60-100psig	60-100psig
Mounting Type	Foot	Foot	Foot	Wall	Foot
Cleaning Trigger				Adjustable Timer	Adjustable Timer
Motor External Protection	no	no	no	Circuit Breaker	Circuit Breaker
Internal Thermal Prot.	yes	yes	yes	yes	yes
Pressurizer Casing Mat'l	Painted Steel	Plastic	Stainless Steel	Stainless Steel	Stainless Steel
Weight	17 lb (7.7 kg)	21 lb (9.5 kg)	87 lb (40 kg)	100 lb (45 kg)	285 lb (130 kg)

Note #1: Air Cleaner Test, SAE J126, which includes 12% in the 0 - 5 micron range.

Note #2: 1" water column (w.c.) = 250 pascals

© 2023 Bergstrom, Inc.

Bergstrom Electrified

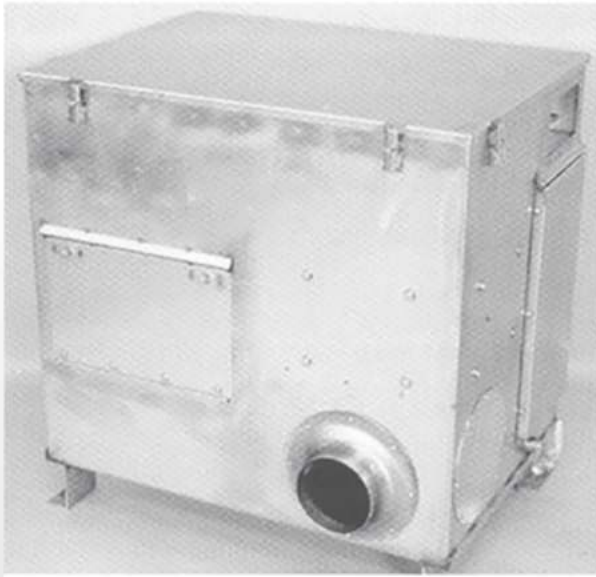
471



NAME  
**FVF120 PRESSURIZER  
SYSTEM**

VOLTS  
**120**

DESCRIPTION  
**Bergstrom  
Electrified  
System**



### Suggested Applications



### Features

- Suitable for main-Capacityed electrical equipment
- Consists of eight teflon coated elements housed on a wire-frame structure with a venturi tube delivery
- (2) backward curved fans mounted in series to provide high static pressure capability
- Two-stage operation with the second fan coming on with drop in-room pressure alternatively
- Automatic speed control according to room pressure
- System is equipped with a receiver tank and solenoid valves for cleaning the air filtration system
- Back-flush cycle is on a variable time basis which is determined by site conditions. After a pre-set time, the fans will stop to assist the purging process with compressed air. After another time delay, fans will start up again.
- System is designed as a stand-alone device and has the capacity to have up to three air discharge outlets from its base.

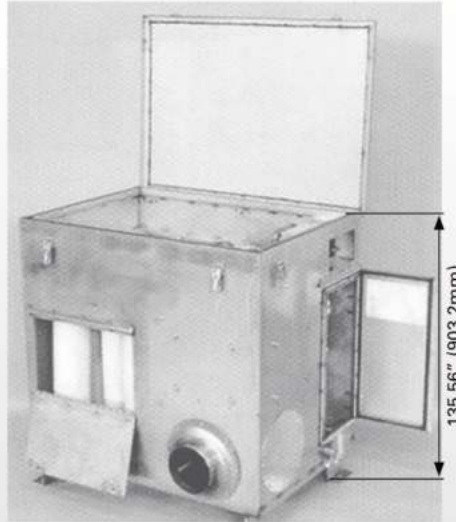
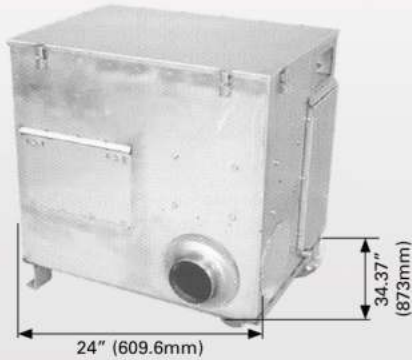
### Technical Specifications

Model	FVF120 120V
Voltage	120V
Amps	3 AMPS @ 120 V.A.C. 20 AMPS @ 24 V.D.C.
Maximum air flow	365 SCFM (620 m <sup>3</sup> /hr)
Dimensions (L x W x H)	24in x 34.37in x 35.56in (609.6mm x 873mm x 903.2mm)
Weight	285 lb (129,3 kg)
Mounting Position	Foot

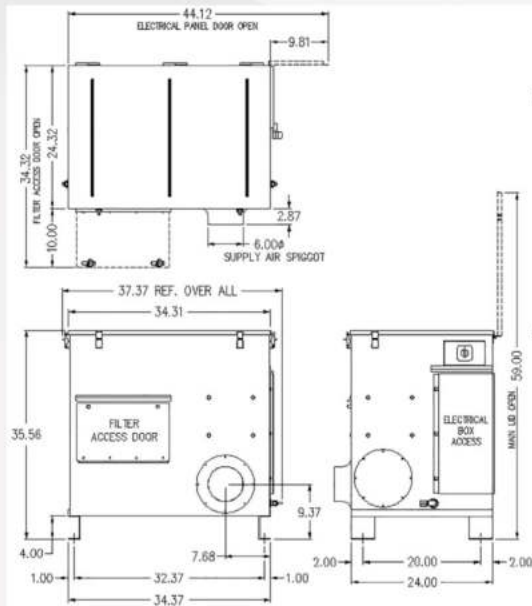
Unless otherwise stated, performance measurements are conducted in accordance with SAE J638 for heaters and IMACA 200 for evaporators.



Dimensions layout



Line Drawing



Model Specifications:	FVF120
Type of Unit	Filter/ Blowers
Voltages Available V.A.C.	115-1-50/60
Pressurizer Watts @ 115 V.A.C.	400
Pressurizer Airflow:	
Clear filter, 0.00" w.c. ESP	365 CFM (175 l/s)
0.25" w.c. ESP	325 CFM (155 l/s)
0.50" w.c. ESP	260 CFM (125 l/s)
Max. Fan Static Pressure Available	4.7" w.c.
No. of Blower / Motors	2
No. of Motor Speeds	Variable
Method of Speed Change	Auto Pres. Transducer
No. of Final Filter Elements	8
Permanent Filter Size	5" Dia x 24" Lg
Type of Permanent Filter	Teflon Coated
Filter Material	Polyester Stock
Filtration Efficiency	99% @ 0.3 Microns
Outlet Spigot	6" Dia.
Compressed Air Inlet	3/8" FPT
Compressed Air Pressure Required	60-100 psig
Mounting Type	Foot
Cleaning Trigger	Adjustable Timer
Motor External Protection	Circuit Breaker
Internal Thermal Protection	Yes
Pressurizer Casing Material	Stainless Steel

Note #1: Air Cleaner Test, SAE J126, which includes 12% in the 0 - 5 micron range.  
 Note #2: 1" water column w.c.) = 250 pascals

Bergstrom Electrified



When placing an order please contact your sales representative to review your order to ensure the proper system has been identified for your vehicle application.

Availability of the products shown in this catalog is subject to change without notice by Bergstrom, Inc. For the most current product information please visit the Bergstrom Distributor website at <https://parts.shop.bergstrominc.com/>.

**Warranty**  
 • 1-year limited warranty



NAME  
**FVV50 PRESSURIZER**

VOLTS  
**12 | 24**

DESCRIPTION  
**Bergstrom  
Electrified  
System**



### Features

- Stand-alone pressurizer for 12 and 24VDC
- Heavy-duty steel base construction
- Suitable for well-sealed cabs and enclosures
- A welded steel base construction and durable plastic cover
- Highly resistant in many environments

### Suggested Applications



**Auxillary piece for BES-series  
air conditioners**

### Technical Specifications

Model	FVV50 12V	FVV50 24V
Voltage	12V	24V
Amps	10 AMPS @ 12 V.D.C.	5 AMPS @ V.D.C.
Maximum air flow	85 SCFM (144 m <sup>3</sup> /hr)	85 SCFM (144 m <sup>3</sup> /hr)
Dimensions (L x W x H)	30.84in x 9.07in x 19.1in (783mm x 230mm x 485mm)	30.84in x 9.07in x 19.1in (783mm x 230mm x 485mm)
Weight	17 lb (7,7 kg)	17 lb (7,7 kg)
Mounting Position	Foot	Foot

Unless otherwise stated, performance measurements are conducted in accordance with SAE J638 for heaters and IMACA 200 for evaporators.

**Dimensions layout**

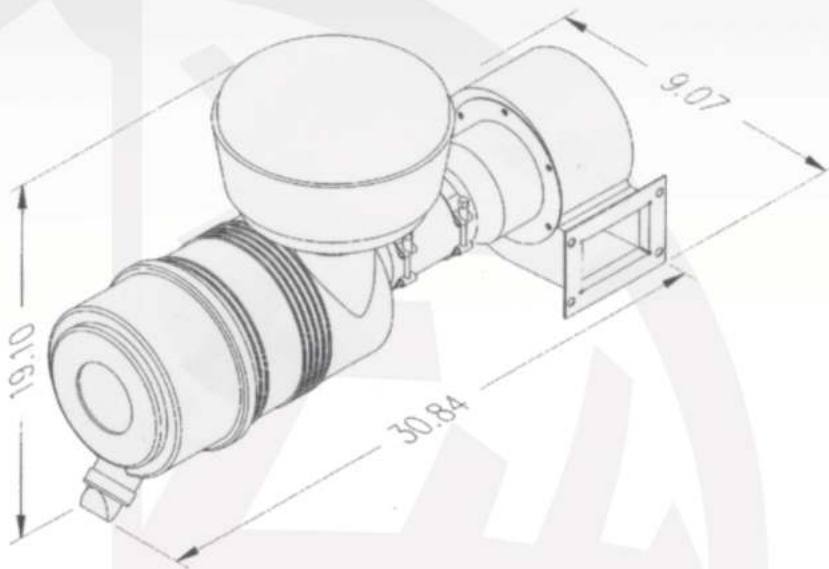


Model Specifications:	FVV50
Type of Unit	Filter/Blower
Voltages Available V.D.C.	12 or 24
Pressurizer Watts @ 24 V.D.C.	120
Pressurizer Airflow:	
Clear filter, 0.00" w.c. ESP	85 CFM (40 l/s)
0.25" w.c. ESP	18 CFM (9 l/s)
0.50" w.c. ESP	5 CFM (2.5 l/s)
Max. Fan Static Pressure Available	0.65" w.c.
No. of Blower / Motors	1
No. of Motor Speeds	1
Pre-Cleaner ---Roughing	1
No. of Final Filter Elements	1
Permanent Filter Size	5" Dia x 11" Lg
Type of Permanent Filter	Pleated
Filter Material	Paper
Filtration Efficiency	See Note
Outlet Spigot	2.75" x 4.25"
Mounting Type	Foot
Motor External Protection	No
Internal Thermal Protection	Yes
Pressurizer Casing Material	Painted Steel

Note #1: Air Cleaner Test, SAE J126, which includes 12% in the 0 - 5 micron range.  
 Note #2: 1" water column (w.c.) = 250 pascals

Bergstrom Electrified

**Line Drawing**



When placing an order please contact your sales representative to review your order to ensure the proper system has been identified for your vehicle application.

Availability of the products shown in this catalog is subject to change without notice by Bergstrom, Inc. For the most current product information please visit the Bergstrom Distributor website at <https://parts.shop.bergstrominc.com/>.

**Warranty**

• 1-year limited warranty



**NAME**  
**FVV60 PRESSURIZER**

**VOLTS**  
**12 | 24**

**DESCRIPTION**  
**Bergstrom  
Electrified  
System**



**Features**

- Suitable for well-sealed cabs and enclosures
- Heavy-duty steel base construction
- Durable cover, highly resistant in many environments
- Canister is flexible so it can be relocated to a remote site
- Plastic filter housing

**Suggested Applications**



**Auxillary piece for BES-series  
air conditioners**

**Technical Specifications**

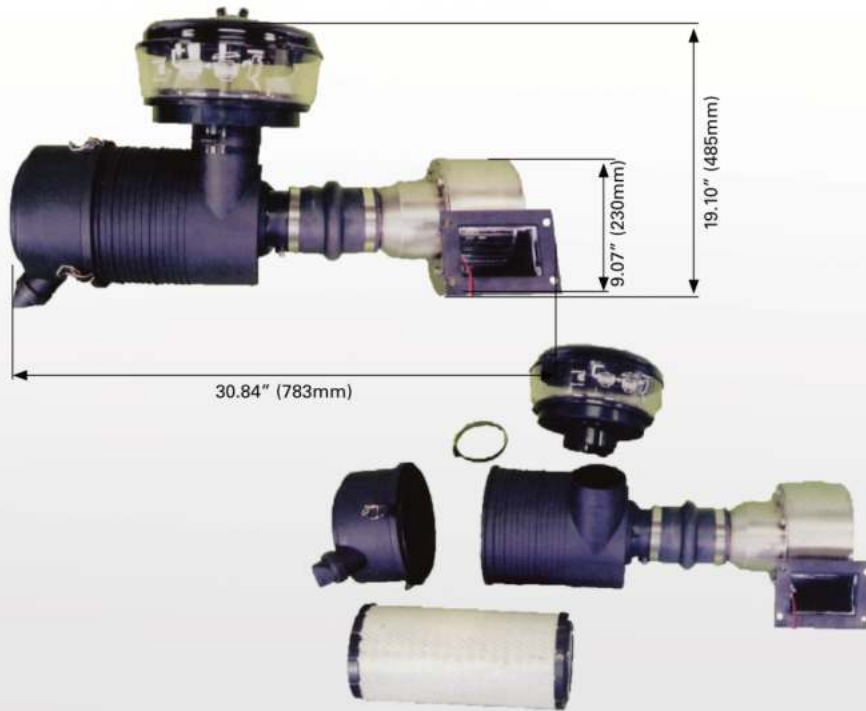
Model	FVV650 12V	FVV60 24V
Voltage	12V	24V
Amps	10 AMPS @ 12 V.D.C.	5 AMPS @ 24 V.D.C.
Maximum air flow	170 SCFM (289 m³/hr)	170 SCFM (289 m³/hr)
Dimensions (L x W x H)	30.84in x 9.07in x 19.1in (783mm x 230mm x 485mm)	30.84in x 9.07in x 19.1in (783mm x 230mm x 485mm)
Weight	21 lb (9,5 kg)	21 lb (9,5 kg)
Mounting Position	Foot	Foot

Unless otherwise stated, performance measurements are conducted in accordance with SAE J638 for heaters and IMACA 200 for evaporators.

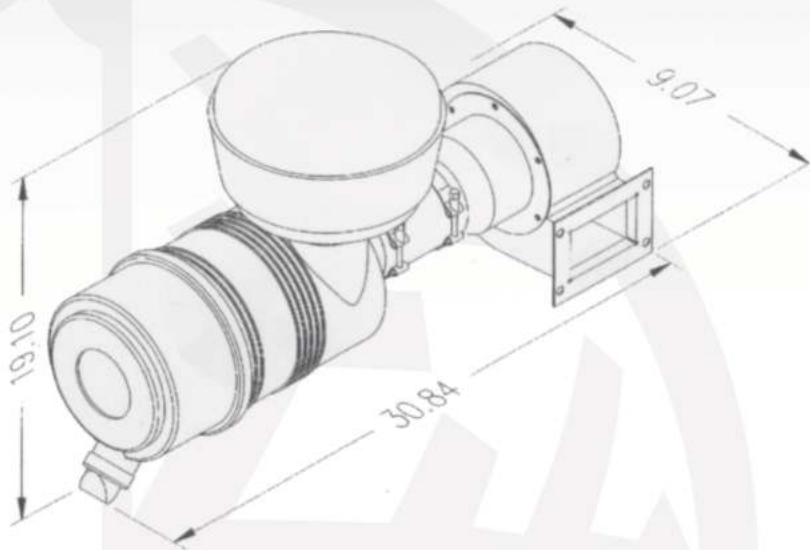
FVV60 Pressurizer

Bergstrom Electrified System

**Dimensions layout**



**Line Drawing**



Model Specifications:		FVV60
Type of Unit	Filter/Blower	
Voltages Available V.D.C.	12 or 24	
Voltages Available V.A.C.	115-1-50/60	
Pressurizer Watts @ 24 V.D.C.	150	
Pressurizer Watts @ 115 V.A.C.	200	
<b>Pressurizer Airflow:</b>		
Clear filter, 0.00" w.c. ESP	170 CFM (80 l/s)	
0.25" w.c. ESP	145 CFM (70 l/s)	
0.50" w.c. ESP	126 CFM (60 l/s)	
Max. Fan Static Pressure Available	2.55" w.c.	
No. of Blower / Motors	1	
No. of Motor Speeds	1	
Pre-Cleaner ---Roughing	1	
No. of Final Filter Elements	1	
Permanent Filter Size	6.5" Dia x 14" Lg	
Type of Permanent Filter	Pleated	
Filter Material	Paper	
Filtration Efficiency	See Note	
Outlet Spigot	3.63" x 3.63"	
Mounting Type	Foot	
Motor External Protection	No	
Internal Thermal Protection	Yes	
Pressurizer Casing Material	Plastic	

Note #1: Air Cleaner Test, SAE J126, which includes 12% in the 0 - 5 micron range.  
 Note #2: 1" water column (w.c.) = 250 pascals

Bergstrom Electrified



When placing an order please contact your sales representative to review your order to ensure the proper system has been identified for your vehicle application.

Availability of the products shown in this catalog is subject to change without notice by Bergstrom, Inc. For the most current product information please visit the Bergstrom Distributor website at <https://parts.shop.bergstrominc.com/>.

**Warranty**  
 • 1-year limited warranty



NAME  
**FVV150 PRESSURIZER**

VOLTS  
**12 | 24**

DESCRIPTION  
**Bergstrom  
Electrified  
System**



### Features

- Suitable for well-sealed cabs and enclosures
- Heavy-duty steel base construction
- Durable cover, highly resistant in many environments
- Large filters that require manual cleaning
- Suitable for very dusty applications with extended intervals between cleaning
- Safety filter included
- System is available in AC or D/C configurations

### Suggested Applications



### Technical Specifications

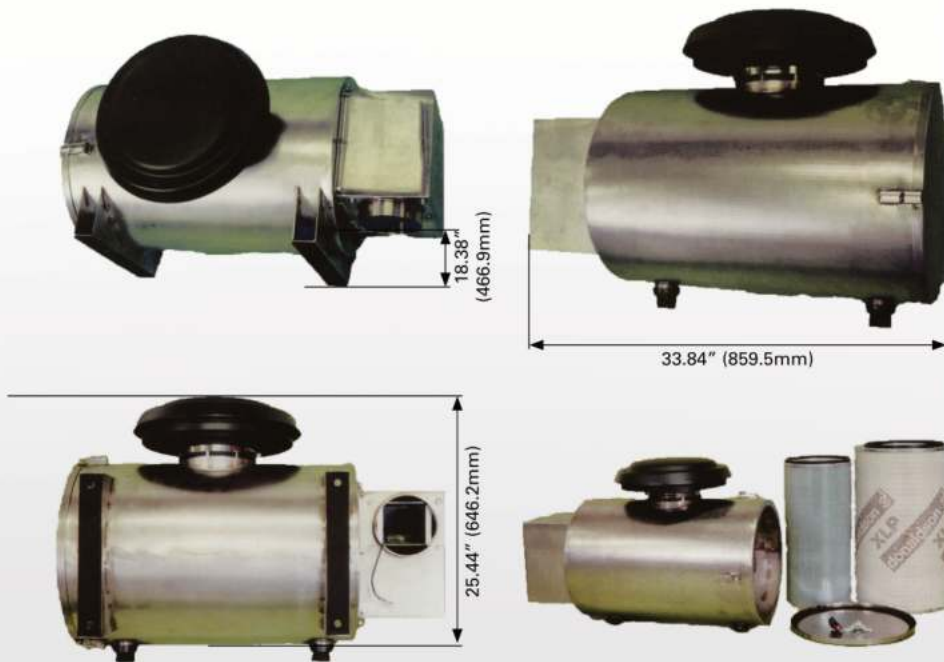
Model	FVV150 12V	FVV150 24V
Voltage	12V	24V
Amps	14 AMPS @ 12 V.D.C.	7 AMPS @ 24 V.D.C.
Maximum air flow	315 SCFM (535 m <sup>3</sup> /hr)	315 SCFM (535 m <sup>3</sup> /hr)
Dimensions (L x W x H)	33.84in x 18.38in x 25.44in (859.5mm x 466.9mm x 646.2mm)	33.84in x 18.38in x 25.44in (859.5mm x 466.9mm x 646.2mm)
Weight	88.2 lb (40 kg)	88.2 lb (40 kg)
Mounting Position	Foot	Foot

Unless otherwise stated, performance measurements are conducted in accordance with SAE J638 for heaters and IMACA 200 for evaporators.

FVV150 Pressurizer

Bergstrom Electrified System

**Dimensions layout**

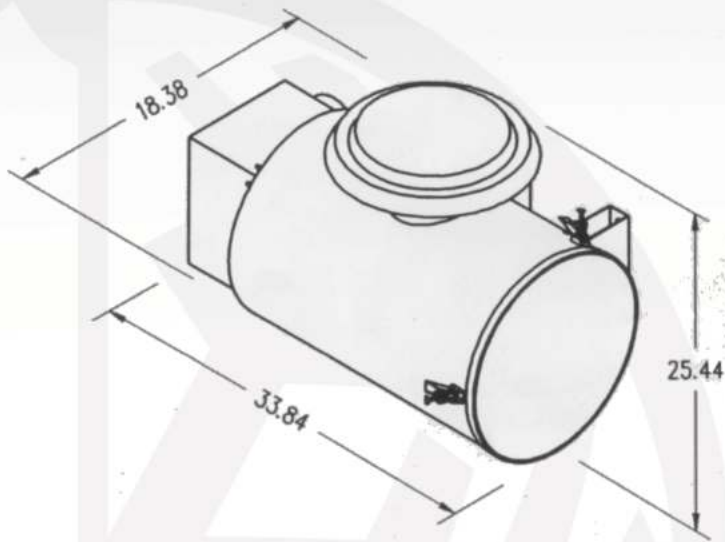


Model Specifications:	FVV150
Type of Unit	Filter/Blower
Voltages Available V.D.C.	12 or 24
Voltages Available V.A.C.	115-1-50/60
Pressurizer Watts @ 24v V.D.C.	150
Pressurizer Watts @ 115 V.A.C.	200
Pressurizer Airflow:	
Clear filter, 0.00" w.c. ESP	315 CFM (150 l/s)
0.25" w.c. ESP	235 CFM (110 l/s)
0.50" w.c. ESP	210 CFM (100 l/s)
Max. Fan Static Pressure Available	2.2" w.c.
No. of Blower / Motors	1
No. of Motor Speeds	1
Pre-Cleaner ---Roughing	1
No. of Final Filter Elements	2
Permanent Filter Size	14.5" Dia x 24" Lg
Type of Permanent Filter	Pleated
Filter Material	Paper
Filtration Efficiency	See Note
Outlet Spigot	5.5" Dia.
Mounting Type	Foot
Motor External Protection	No
Internal Thermal Protection	Yes
Pressurizer Casing Material	Stainless Steel

Bergstrom Electrified

Note #1: Air Cleaner Test, SAE J126, which includes 12% in the 0 - 5 micron range.  
 Note #2: 1" water column (w.c.) = 250 pascals

**Line Drawing**



When placing an order please contact your sales representative to review your order to ensure the proper system has been identified for your vehicle application.

Availability of the products shown in this catalog is subject to change without notice by Bergstrom, Inc. For the most current product information please visit the Bergstrom Distributor website at <https://parts.shop.bergstrominc.com/>.

**Warranty**

• 1-year limited warranty



NAME  
**FVW100 PRESSURIZER**

VOLTS  
**120 | 24**

DESCRIPTION  
**Bergstrom  
Electrified  
System**



### Features

- Stainless steel construction
- Impact resistant cover
- Highly efficient and washable filter
- (2) fans mounted in series to provide high static pressure capability
- Designed for use in cabs and enclosures of typically heavy diesel driven machinery where compressed air source is available
- Fan cycle times are adjustable to suit site conditions.
- Available in 24VDC or 120VAC voltages

### Suggested Applications



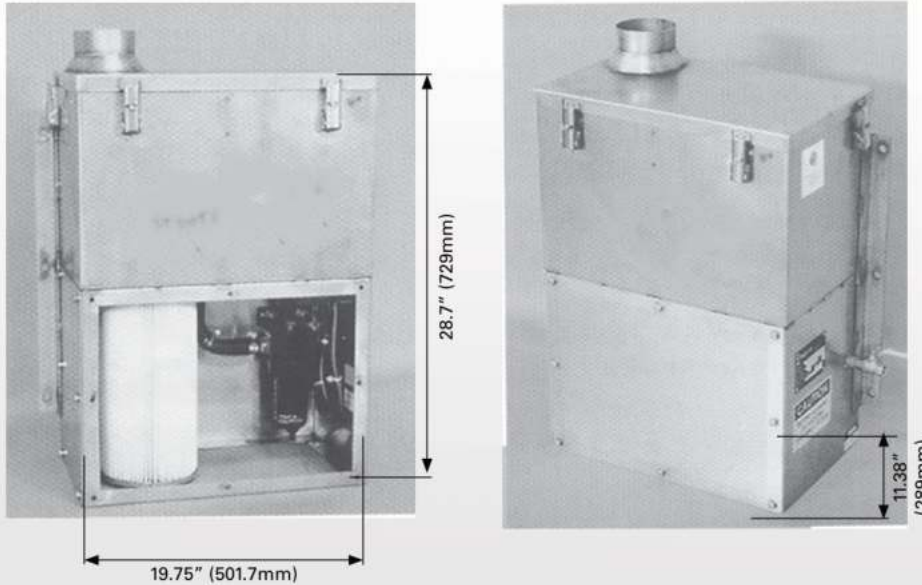
### Technical Specifications

Model	FVW100 120V	FVW100 24V
Voltage	12V	24V
Amps	3 AMPS @ 120 V.A.C	7 AMPS @ 24 V.D.C.
Maximum air flow	365 SCFM (620 m <sup>3</sup> /hr)	365 SCFM (620 m <sup>3</sup> /hr)
Dimensions (W x H x D)	19.75in x 28.7in x 11.38in (501.7mm x 729mm x 289mm)	19.75in x 28.7in x 11.38in (501.7mm x 729mm x 289mm)
Weight	100 lb (45,5 kg)	100 lb (45,5 kg)
Mounting Position	Wall	Wall

Unless otherwise stated, performance measurements are conducted in accordance with SAE J638 for heaters and IMACA 200 for evaporators.



**Dimensions layout**

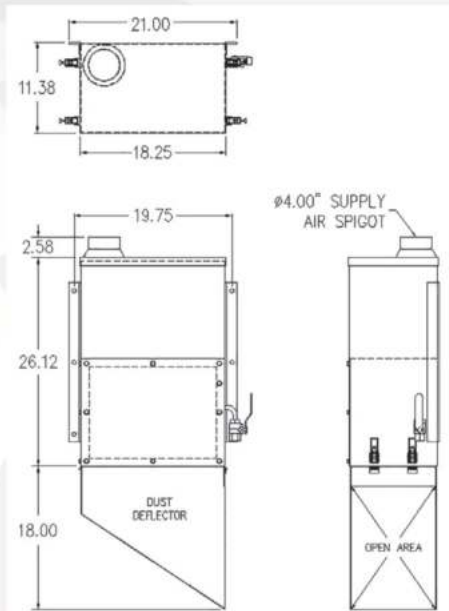


Model Specifications:	FVW100
Type of Unit	Filter/ Blowers
Voltages Available V.D.C.	12 or 24
Voltages Available V.A.C.	115-1-50/60
Pressurizer Watts @ 24 V.D.C.	300
Pressurizer Watts @ 115 V.A.C.	400
Pressurizer Airflow:	
Clear filter, 0.00" w.c. ESP	365 CFM (175 l/s)
0.25" w.c. ESP	325 CFM (155 l/s)
0.50" w.c. ESP	285 CFM (135l /s)
Max. Fan Static Pressure Available	5.3" w.c.
No. of Blower / Motors	2
No. of Motor Speeds	1
Method of Speed Change	Manual
No. of Final Filter Elements	1
Permanent Filter Size	6" Dia x 13"Lg
Type of Permanent Filter	Pleated
Filter Material	Spun Polyester
Filtration Efficiency	99% @ 0.3 Microns
Outlet Spigot	4" Dia.
Compressed Air Inlet	3/8" FPT
Compressed Air Pressure Required	60-100 psig
Mounting Type	Wall
Cleaning Trigger	Adjustable Timer
Motor External Protection	Circuit Breaker
Internal Thermal Protection	Yes
Pressurizer Casing Material	Stainless Steel

Bergstrom Electrified

Note #1: Air Cleaner Test, SAE J126, which includes 12% in the 0 - 5 micron range.  
 Note #2: 1" water column (w.c.) = 250 pascals

**Line Drawing**



When placing an order please contact your sales representative to review your order to ensure the proper system has been identified for your vehicle application.

Availability of the products shown in this catalog is subject to change without notice by Bergstrom, Inc. For the most current product information please visit the Bergstrom Distributor website at <https://parts.shop.bergstrominc.com/>.

**Warranty**

• 1-year limited warranty



**M-SERIES**

DESCRIPTION  
Bergstrom  
Electrified  
System

**M-Series**

The multipurpose M-Series is designed to be used on larger cabs where 3-phase electrical Capacity is available, such as draglines, drills, crane cabs and shovels. These are the largest systems in the Bergstrom line and are available in capacities of 18,000 BTU/hr to 54,000 BTU/hr. Various voltages are available.

**Available Capacity Options:**

- 208-230/1/60
- 200-230/3/60
- 200-220/3/50
- 380-415/3/50
- 460/3/60
- 460/3/50
- 575/3/60

A variety of control voltages also available

**Special Options:**

- Coated Coils
- Alternative High Ambient Refrigerants

**Product Data & Specifications**

Technical Specifications:			
Model	MPV5	MPV9	BES2400
Cooling Capacity	18,000 btu/hr (5,2 kW)	31,000 btu/hr (8,9 kW)	24,000 BTU/hr (7 kW)
Heating Capacity	34,000 btu/hr (10,0 kW)	41,000 btu/hr (12,0 kW)	20,450 BTU/hr (6kW)
Heating Stages	two	two	
Airflow - High Speed	600 CFM (280 l/s)	1300 CFM (610 l/s)	
Airflow - Low Speed	500 CFM (240 l/s)	870 CFM (410 l/s)	600 CFM (1,019 m <sup>3</sup> /hr)
Weight	540 lbs (245 kg)	1300 lbs (590 kg)	208 lbs (110 kg)
Compressor Type	scroll	scroll	
Number of Cylinders	n/a	n/a	
Pressurization	120 CFM (56 l/s)	120 CFM (56 l/s)	
Controls	110 V.A.C.	110 V.A.C.	
Motor Protection	Circuit Breaker Thermal Overload	Circuit Breaker Thermal Overload	
Compr. Capacity Control	none	none	
Condenser Fan	1 speed	1 speed	
Refrigerant Metering	TXV	TXV	
Thermostat-Electronic 5 Stage	Standard	Standard	

Rating Conditions: Cooling Capacity - Indoor 80°F DB/67°F WB with Outdoor 110°F DB/60°F WB

Heating Capacity @ Rated Voltage

For capacities at ARI Std. 210 conditions of cooling capacity, with Indoor 80°F DB/67°F WB and Outdoor 95°F DB/75°F WB add approximately 7.5% to rated capacity.

Above Spec based on 460/30/60 versions heating and coling, capacities may vary depending on supplied voltage.

Bergstrom Electrified


**NAME**  
**MPV5 HVAC SYSTEM**
**DESCRIPTION**  
**Bergstrom**  
**Electrified**  
**System**


### Features

- Heavy gauge stainless steel construction
- Designed for smaller mining cabs and industrial equipment
- Easy installation
- Quiet and efficient scroll compressors
- Two-stage electric heat
- Positively pressurized electrical cubicle to keep dust and water out
- 5-stage electronic thermostat with remote control for operator comfort
- Compatible with new automatic cleaning pressurizer

### Suggested Applications



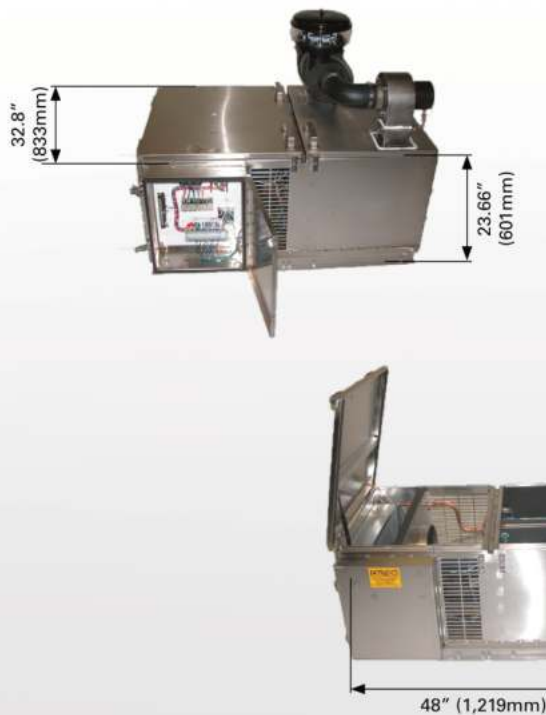
### Technical Specifications

Model	MPV5
Capacity*	Cooling: 18,000 BTU/hr (5,3 kW) Heating: 34,000 BTU/hr (10,0 kW)
Amps	20 AMPS @ 460/3/60
Maximum air flow	High: 600 SCFM (1,019 m <sup>3</sup> /hr) Low: 500 SCFM (850 m <sup>3</sup> /hr)
Dimensions (L x W x H)	48in x 32.8in x 23.66in (1,219mm x 833mm x 601mm)
Weight	540 lb (244,9 kg)
Mounting Position	Rooftop, Walkway or Deck

(\*) System cooling capacity is based on system component-calculated capacities in accordance with IMACA 200 standard test conditions: indoor 80°F DB/67°F WB with outdoor 110°F DB/60°F WB. Heating capacity is at rated voltage in accordance with SAEJ638.

Unless otherwise stated, performance measurements are conducted in accordance with SAE J638 for heaters and IMACA 200 for evaporators.

Dimensions layout



Model Specifications:	MPV5
Cooling Capacity	18,000 BTU/hr (5,2 kw)
Heating Capacity	34,000 BTU/hr (10,0 kw)
Heating Stages	2
Airflow - High Speed	600 CFM (280 l/s)
Airflow - Low Speed	500 CFM (240 l/s)
Compressor Type	Scroll
Pressurization	120 CFM (56 l/s)
Controls	110 VAC
Motor Protection	Circuit Breaker Thermal Overload
Compressor Capacity Control	None
Condenser Fan	1-Speed
Refrigerant Metering	TXV
Thermostat - Electronic 5-stage	Standard

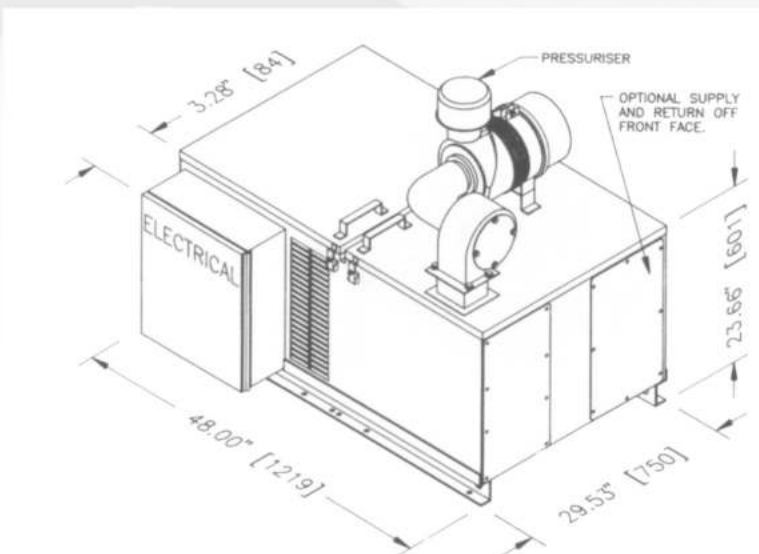
Rating Conditions: Cooling Capacity - Indoor 80°F DB/67°F WB with Outdoor 110°F DB/60°F WB Heating Capacity @ Rated Voltage

For capacities at ARI Std. 210 conditions of cooling capacity with 80°F DB/67°F WB and Outdoor 95°F DB/75°F WB add approximately 7.5% to rated capacity.

Above spec based on 460/30/60 versions of heating and cooling, capacities may vary depending on supplied voltage.

Bergstrom Electrified

Line Drawing



When placing an order please contact your sales representative to review your order to ensure the proper system has been identified for your vehicle application.

Availability of the products shown in this catalog is subject to change without notice by Bergstrom, Inc. For the most current product information please visit the Bergstrom Distributor website at <https://parts.shop.bergstrominc.com/>.

Warranty

- 1-year limited warranty


**NAME**  
**MPV9 HVAC SYSTEM**
**DESCRIPTION**  
**Bergstrom**  
**Electrified**  
**System**

**Suggested Applications**

**Features**

- Heavy gauge stainless steel construction
- Triple-gasketed evaporator cover to eliminate dust and water ingress
- Positively pressurized electrical cubicle to keep dust and water out
- Very easy to service and keep clean
- Quiet operation with large scroll compressor
- Higher capacity to handle increased cooling and heating loads due to increases in amounts of air pressurization
- Head pressure control for cooler climate operations without sacrificing performances in hot locations
- No pre-cleaner required since pressurizer intake is from condenser fan intake
- Capacity controls to enhance operation over a wide temperature range
- 5-stage electronic thermostat with remote control for operator comfort
- Compatible with new automatic cleaning pressurizer
- Several Capacity options available

**Technical Specifications**

Model	MPV9
Capacity*	Cold: 30,369 BTU/hr (8,9 kW) Hot: 40,946 BTU/hr (12,0 kW)
Amps	25 AMPS @ 460/3/60
Maximum air flow	High: 1,300 SCFM (2,209 m <sup>3</sup> /hr) Low: 870 SCFM (1,478 m <sup>3</sup> /hr)
Dimensions (L x W x H)	47.48in x 62.72in x 32.75in (1,206mm x 1,593mm x 832mm)
Weight	1,100 lb (499 kg)
Mounting Position	Rooftop, Walkway or Deck

(\*) System cooling capacity is based on system component-calculated capacities in accordance with IMACA 200 standard test conditions: indoor 80°F DB/67°F WB with outdoor 110°F DB/60°F WB. Heating capacity is at rated voltage in accordance with SAE J638.

Unless otherwise stated, performance measurements are conducted in accordance with SAE J638 for heaters and IMACA 200 for evaporators.

Dimensions layout



Model Specifications:	MPV5
Cooling Capacity	31,000 BTU/hr (8,9 kw)
Heating Capacity	41,000 BTU/hr (12,0 kw)
Heating Stages	2
Airflow - High Speed	1,300 CFM (610 l/s)
Airflow - Low Speed	870 CFM (410 l/s)
Compressor Type	Scroll
Pressurization	120 CFM (56 l/s)
Controls	110 VAC
Motor Protection	Circuit Breaker Thermal Overload
Compressor Capacity Control	None
Condenser Fan	1-Speed
Refrigerant Metering Thermostat	TXV Standard

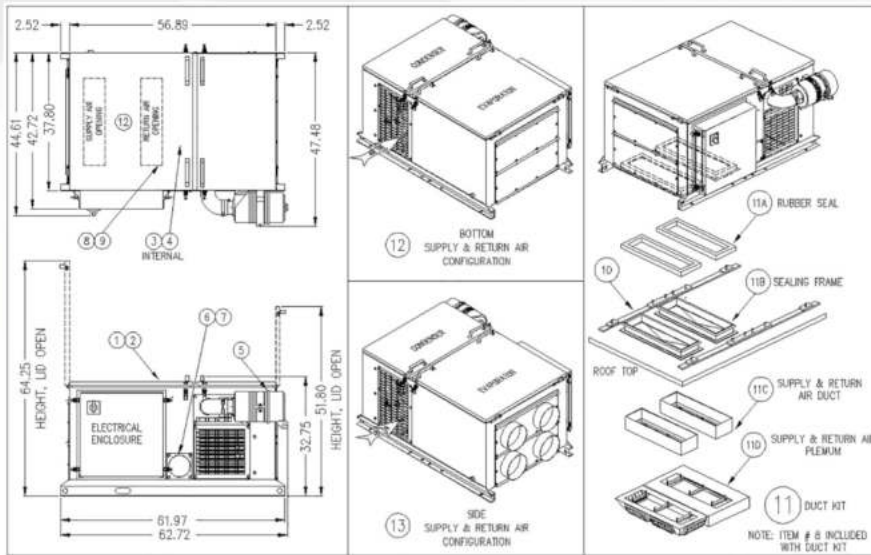
Rating Conditions: Cooling Capacity - Indoor 80°F DB/67°F WB with Outdoor 110°F DB/60°F WB Heating Capacity @ Rated Voltage

For capacities at ARI Std. 210 conditions of cooling capacity with 80°F DB/67°F WB and Outdoor 95°F DB/75°F WB add approximately 7.5% to rated capacity.

Above spec based on 460/30/60 versions of heating and cooling, capacities may vary depending on supplied voltage.

Bergstrom Electrified

Line Drawing



When placing an order please contact your sales representative to review your order to ensure the proper system has been identified for your vehicle application.

Availability of the products shown in this catalog is subject to change without notice by Bergstrom, Inc. For the most current product information please visit the Bergstrom Distributor website at <https://parts.shop.bergstrominc.com/>.

Warranty

• 1-year limited warranty



NAME  
**BES2400**

DESCRIPTION  
**Bergstrom  
Electrified  
System**



### Features

- Heavy gauge stainless steel construction
- Uses environmentally friendly R134a
- Operates in extreme conditions up to 122°F/50°C

### Suggested Applications



### Technical Specifications

Model	BES2400
Capacity*	Cold: 24,000 BTU/hr (7 kW) Hot: 20,450 BTU/hr (6 kW)
Amps	40 AMPS @ 24 V. D. C.
Maximum air flow	600 SCFM (1,019 m <sup>3</sup> /hr)
Dimensions (L x W x H)	43.31in x 31.65in x 15.33in (1,100mm x 804mm x 389.4mm)
Weight	208 lb (110 kg)
Mounting Position	Rooftop

(\* ) System cooling capacity is based on system component-calculated capacities in accordance with IMACA 200 standard test conditions: indoor 80°F DB/67°F WB with outdoor 110°F DB/60°F WB. Heating capacity is at rated voltage in accordance with SAEJ638.

Unless otherwise stated, performance measurements are conducted in accordance with SAE J638 for heaters and IMACA 200 for evaporators.

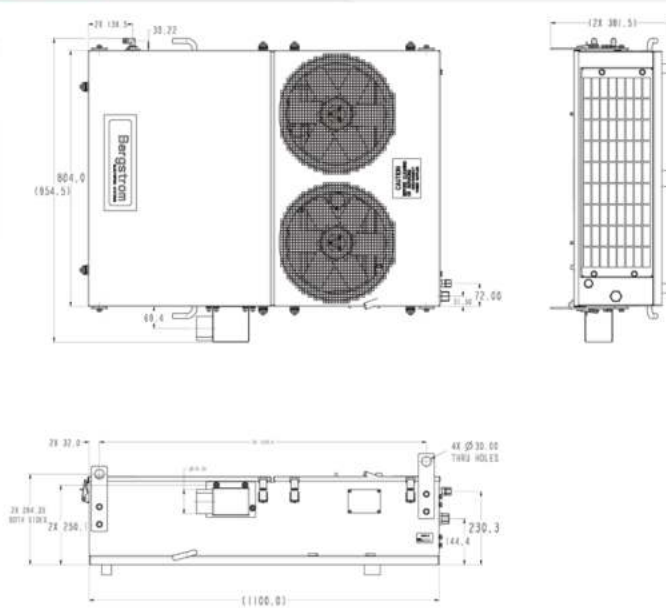


### Dimensions layout



Bergstrom Electrified

### Line Drawing



When placing an order please contact your sales representative to review your order to ensure the proper system has been identified for your vehicle application.

Availability of the products shown in this catalog is subject to change without notice by Bergstrom, Inc. For the most current product information please visit the Bergstrom Distributor website at <https://parts.shop.bergstrominc.com/>.

#### Warranty

- 1-year limited warranty



NAME  
**BES2600LH**

DESCRIPTION  
**Bergstrom  
Electrified  
System**



### Features

- Heavy-duty rooftop mount AC & Heater
- Heavy-duty steel construction
- Durable double wheel plastic blower
- Light integrated headliner control panel
- Variable speed blower switch
- Adjustable thermostat and water valve controls
- Integrated receiver drier and single fan condenser
- High and low pressure switch
- Fresh air filter option
- Available in 12 or 24 voltages

### Suggested Applications



### Technical Specifications

Model	BES2600LH
Capacity*	Cold: 25,932 BTU/hr (7,6 kW) Hot: 34,120 BTU/hr (10 kW)
Amps	32 AMPS @ 12 V. D. C. 16 AMPS @ 24 V. D. C.
Maximum air flow	315 SCFM (535 m <sup>3</sup> /hr)
Dimensions (L x W x H)	26.3n x 27.9in x 11.6in (667mm x 709mm x 295mm)
Weight	88 lb (40 kg)
Mounting Position	Rooftop

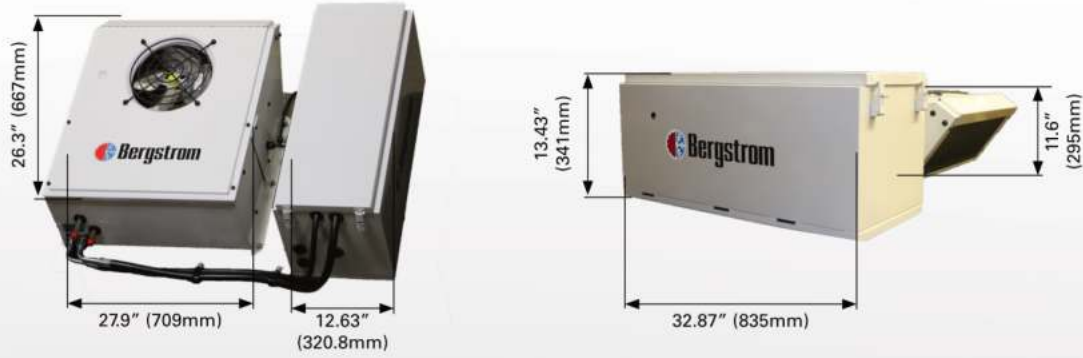
(\* ) System cooling capacity is based on system component-calculated capacities in accordance with IMACA 200 standard test conditions: indoor 80°F DB/67°F WB with outdoor 110°F DB/60°F WB. Heating capacity is at rated voltage in accordance with SAEJ638.

Unless otherwise stated, performance measurements are conducted in accordance with SAE J638 for heaters and IMACA 200 for evaporators.

BES2600LH

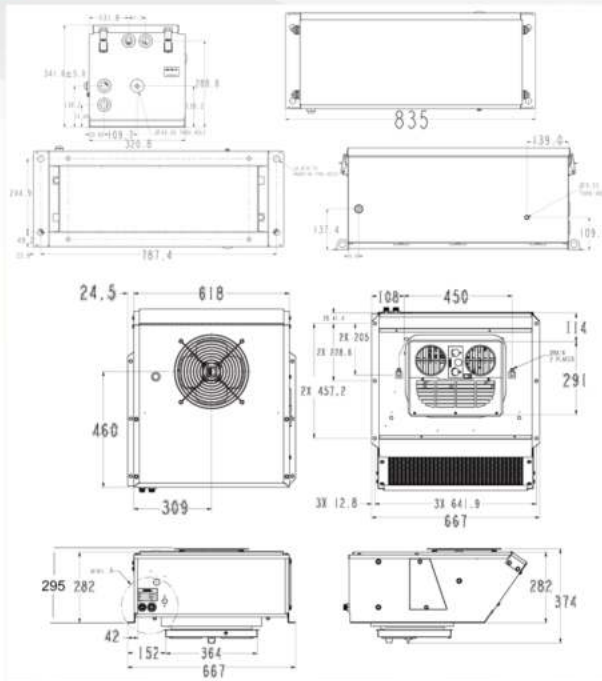
Bergstrom Electrified System

### Dimensions layout



Bergstrom Electrified

### Line Drawing



When placing an order please contact your sales representative to review your order to ensure the proper system has been identified for your vehicle application.

Availability of the products shown in this catalog is subject to change without notice by Bergstrom, Inc. For the most current product information please visit the Bergstrom Distributor website at <https://parts.shop.bergstrominc.com/>.

#### Warranty

- 1-year limited warranty



NAME  
**BES3000**

DESCRIPTION  
**Bergstrom  
Electrified  
System**



### Features

- Independent climate control system
- Operates in extreme conditions up to 130°F/54°C
- Installs easily
- Virtually maintenance free
- Quiet operation
- Shell constructed with steel for maximum durability
- OEM approved construction
- Hermetically sealed electrified unit
- 134a refrigerant sealed loop
- Available in multiple voltages

### Suggested Applications



### Technical Specifications

Model	BES3000
Capacity*	30,000 BTU/hr (8,8 kW)
Amps	35 AMPS @ 230/1/60
Maximum air flow	600 SCFM (1019 m <sup>3</sup> /hr)
Dimensions (L x W x H)	66.5n x 28.3in x 22.8in (1,689mm x 719mm x 579mm)
Weight	480 lb (218 kg)
Mounting Position	

(\*) System cooling capacity is based on system component-calculated capacities in accordance with IMACA 200 standard test conditions: indoor 80°F DB/67°F WB with outdoor 110°F DB/60°F WB. Heating capacity is at rated voltage in accordance with SAEJ638.

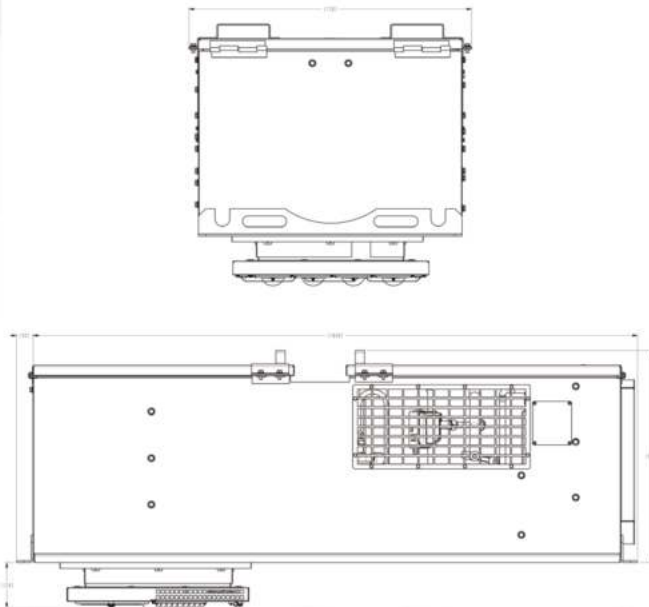
Unless otherwise stated, performance measurements are conducted in accordance with SAE J638 for heaters and IMACA 200 for evaporators.

### Dimensions layout



Bergstrom Electrified

### Line Drawing



When placing an order please contact your sales representative to review your order to ensure the proper system has been identified for your vehicle application.

Availability of the products shown in this catalog is subject to change without notice by Bergstrom, Inc. For the most current product information please visit the Bergstrom Distributor website at <https://parts.shop.bergstrominc.com/>.

#### Warranty

- 1-year limited warranty



**T-SERIES**

DESCRIPTION  
Bergstrom  
Electrified  
System

**T-Series**

Our T-Series, or tractor series, is designed to be used on cabs of various rubber-tired or tracked vehicles; such as haul trucks, small drills and others. The systems are generally 12 or 24 V.D.C. and typically require a remote engine-driven compressor.

**Product Data & Specifications**

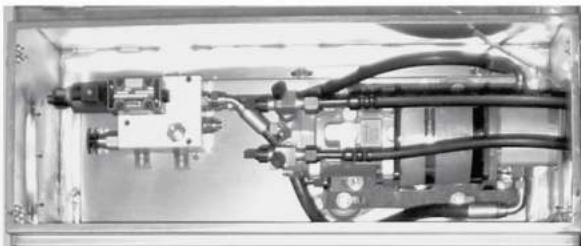
Technical Specifications:					
Model	TBV6	TCR6	TDR5	TPR6	TPW5
Voltage	12V or 24V	12V or 24V			
Cooling Capacity		up to 22,000 BTU/hr (6,4 kW)	18,000 BTU/hr (5,2 kW)	20,473 BTU/hr (6 kW)	18,000 BTU/hr (5,3 kW)
Heating Capacity - Hot Water			35,000 BTU/hr (10 kW)	40,000 BTU/hr (11,7 kW)	40,000 BTU/hr (11,7 kW)
Amps			25 A/h		25 A/h
Airflow - High Speed		2,400 SCFM (4,078 m <sup>3</sup> /hr)	400 CFM (190 l/s)	450 SCFM (764.55 m <sup>3</sup> /hr)	450 SCFM (764.55 m <sup>3</sup> /hr)
Airflow - Medium Speed			350 CFM (165 l/s)		
Airflow - Low Speed			300 CFM (140 l/s)		
Pressurization			110 CFM (50 l/s)		
Condenser Motors			(2) Fully sealed		
Condenser Fans			10" (250 mm)		
Evaporator Motor			(2) Fully sealed		
Evaporator Fans			(2) Single inlet		
Motor Protection			Circuit Breakers		
Compressor Capacity				Hydraulic	
Weight	100 lb (45,4 kg)	40 lb (18,1 kg)	150 lb (68 kg)	400 lb (181,4 kg)	375 lb (170 kg)

Bergstrom Electrified

**NAME**  
**TBV6 HYDRAULIC COMPRESSOR**

**VOLTS**  
**12 | 24**

**DESCRIPTION**  
**Bergstrom Electrified System**



**Features**

- Heavy-duty stainless steel construction
- Precise hydraulic control
- Direct drive compressor
- Compressor mounted to minimize vibration
- Alternative to an engine mounted compressor

**Suggested Applications**



**Recommended Bergstrom Electrified System**



**TDR5**



**TPR6**

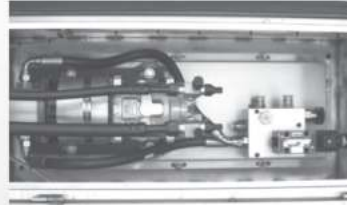
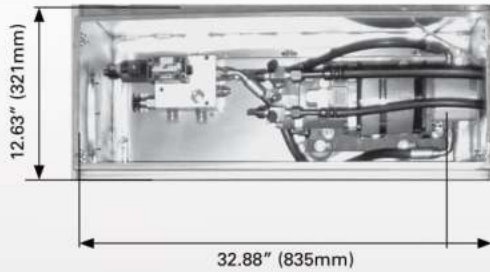
**Technical Specifications**

Model	TBV6 12V	TBV6 24V
Voltage	12V	24V
Dimensions (L x W x H)	32.88in x 12.63in x 13.38in (835mm x 321mm x 340mm)	32.88in x 12.63in x 13.38in (835mm x 321mm x 340mm)
Weight	100 lb (45,4 kg)	100 lb (45,4 kg)
Mounting Position	Rooftop or Deck	Rooftop or Deck

Unless otherwise stated, performance measurements are conducted in accordance with SAE J638 for heaters and IMACA 200 for evaporators.

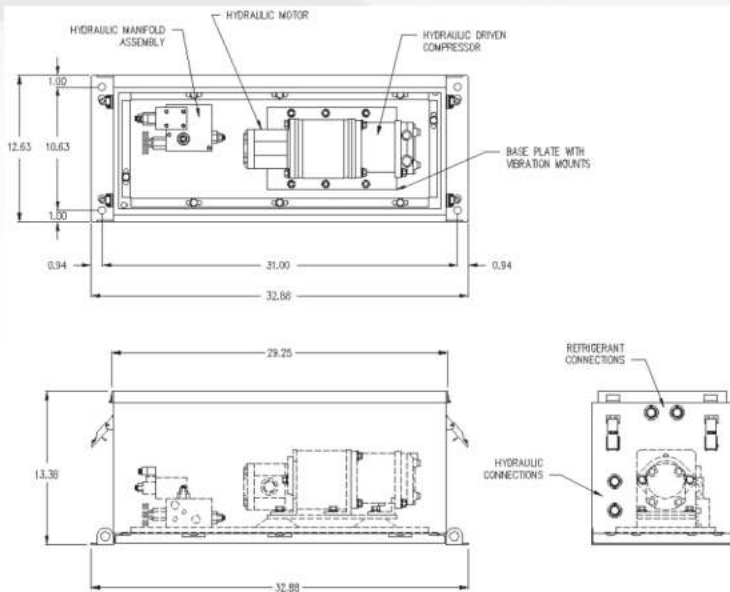


### Dimensions layout



Bergstrom Electrified

### Line Drawing



When placing an order please contact your sales representative to review your order to ensure the proper system has been identified for your vehicle application.

Availability of the products shown in this catalog is subject to change without notice by Bergstrom, Inc. For the most current product information please visit the Bergstrom Distributor website at <https://parts.shop.bergstrominc.com/>.

#### Warranty

- 1-year limited warranty



**NAME**  
**TCR6 CONDENSER PACKAGE**

**VOLTS**  
**12 | 24**

**DESCRIPTION**  
**Bergstrom Electrified System**



**Features**

- Heavy-duty stainless steel construction
- No top openings to reduce dirt contamination
- Large coil to keep head pressures low in high ambient conditions
- Horizontal motors for optimal bearing life
- Can be used with evaporators up to 22,000 BTU/hr

**Suggested Applications**



**Recommended Bergstrom Electrified System**



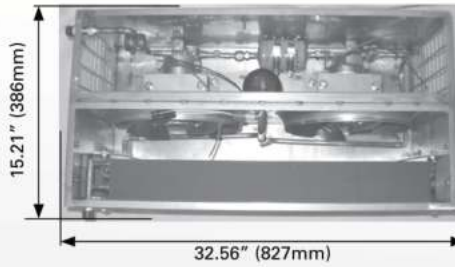
**TPR6**

**Technical Specifications**

Model	TCR6 12V	TCR6 24V
Voltage	12V	24V
Capacity	For use up to 22,000 BTU/hr (6,4 kW)	For use up to 22,000 BTU/hr (6,4 kW)
Maximum air flow	2,400 SCFM (4,078 m <sup>3</sup> /hr)	2,400 SCFM (4,078 m <sup>3</sup> /hr)
Dimensions (L x W x H)	32.56n x 15.21in x 13.18in (827mm x 386mm x 335mm)	32.88n x 12.63in x 13.38in (835mm x 321mm x 340mm)
Weight	40 lb (18,1 kg)	40 lb (18,1 kg)
Mounting Position	Rooftop or Deck	Rooftop or Deck

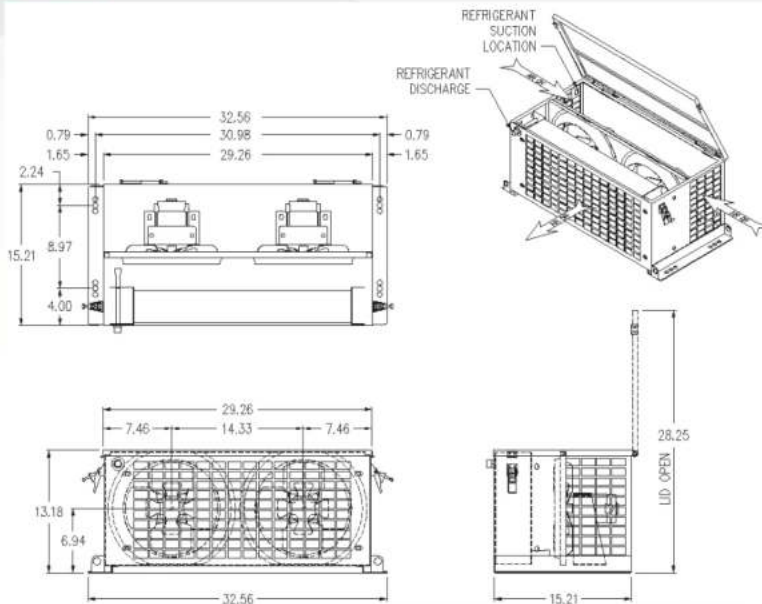
Unless otherwise stated, performance measurements are conducted in accordance with SAE J638 for heaters and IMACA 200 for evaporators.

**Dimensions layout**



Bergstrom Electrified

**Line Drawing**



When placing an order please contact your sales representative to review your order to ensure the proper system has been identified for your vehicle application.

Availability of the products shown in this catalog is subject to change without notice by Bergstrom, Inc. For the most current product information please visit the Bergstrom Distributor website at <https://parts.shop.bergstrominc.com/>.

**Warranty**

• 1-year limited warranty



NAME  
**TDR5 HVAC SYSTEM**

VOLTS  
**24**

DESCRIPTION  
**Bergstrom  
Electrified  
System**



### Features

- Heavy gauge stainless steel construction
- Rooftop mount
- Compressor is remote mounted
- Several Capacity options available

### Suggested Applications



### Technical Specifications

Model	TDR5 24V
Capacity*	Cold: 18,000 BTU/hr (5,2 kW) Hot: 35,000 BTU/hr (10,0 kW)
Amps	25 AMPS @ 24 V.D.C.
Maximum air flow	High: 400 SCFM (680 m <sup>3</sup> /hr) Medium: 350 SCFM (595 m <sup>3</sup> /hr) Low: 300 SCFM (510 m <sup>3</sup> /hr)
Dimensions (L x W x H)	40.39in x 39.22in x 10.55in (1,026mm x 996mm x 268mm)
Weight	150 lb (68,0 kg)
Mounting Position	Rooftop

(\* ) System cooling capacity is based on system component-calculated capacities in accordance with IMACA 200 standard test conditions: indoor 80°F DB/67°F WB with outdoor 110°F DB/60°F WB. Heating capacity is at rated voltage in accordance with SAEJ638.

Unless otherwise stated, performance measurements are conducted in accordance with SAE J638 for heaters and IMACA 200 for evaporators.

TDR5 HVAC System

Bergstrom Electrified System

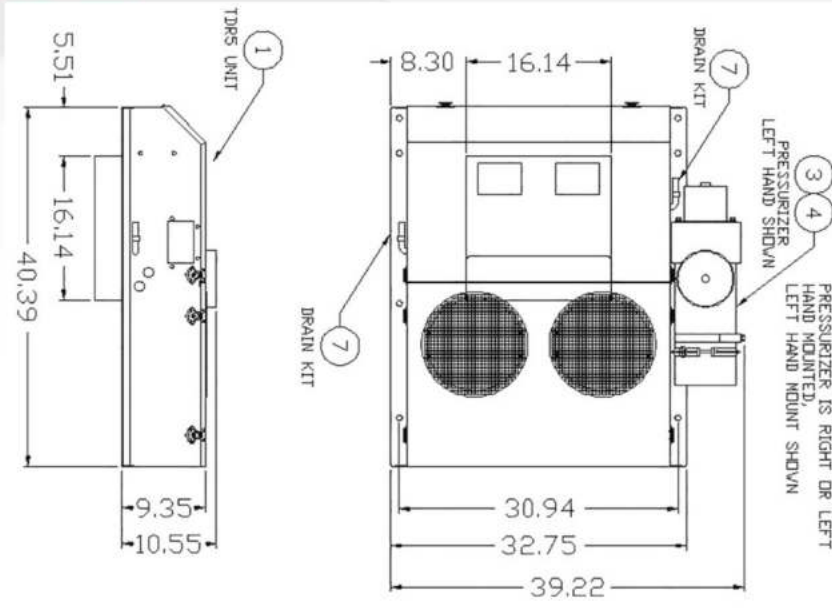
Dimensions layout



Model Specifications:	TDR5
Cooling Capacity	18,000 BTU/hr (5,2 kw)
Heating - Hot Water	35,000 BTU/hr (10,0 kw)
Airflow - High Speed	400 CFM (190 l/s)
Airflow - Medium Speed	350 CFM (165 l/s)
Airflow - Low Speed	300 CFM (140 l/s)
Pressurization	110 CFM (50 l/s)
Condenser Motors	(2) Fully Sealed
Condenser Fans	10" (250mm)
Evaporator Motor	(2) Fully Sealed
Evaporator Fans	(2) Single Inlet
Motor Protection	Circuit Breakers

Bergstrom Electrified

Line Drawing



When placing an order please contact your sales representative to review your order to ensure the proper system has been identified for your vehicle application.

Availability of the products shown in this catalog is subject to change without notice by Bergstrom, Inc. For the most current product information please visit the Bergstrom Distributor website at <https://parts.shop.bergstrominc.com/>.

Warranty

• 1-year limited warranty



NAME  
**TPR6 AC SYSTEM**

VOLTS  
**24**

DESCRIPTION  
**Bergstrom  
Electrified  
System**



## Features

- Heavy-gauge stainless steel construction
- Rooftop mount
- Hydraulic-driven compressor, mounted within the unit
- Outside fan-forced filtration and pressurization system
- Fan-forced condenser assembly
- Designed to provide high levels of air filtration
- Offers climate control through refrigeration for cooling and hot water for heating

## Suggested Applications



## Technical Specifications

Model	TPR6 24V
Capacity*	Cold: 20,473 BTU/hr (6,0 kW) Hot: 40,000 BTU/hr (11,7 kW)
Maximum air flow	450 SCFM (764.55 m <sup>3</sup> /hr)
Compressor Capacity	Hydraulic
Dimensions (L x W x H)	58.72in x 40.92in x 13.39in (1491.39mm x 1,039.4mm x 340mm)
Weight	400 lb (181,4 kg)
Mounting Position	Rooftop

(\*) System cooling capacity is based on system component-calculated capacities in accordance with IMACA 200 standard test conditions: 100°F and 81°F FDB/67°F FWB (38°C and 27/19°C) return air.

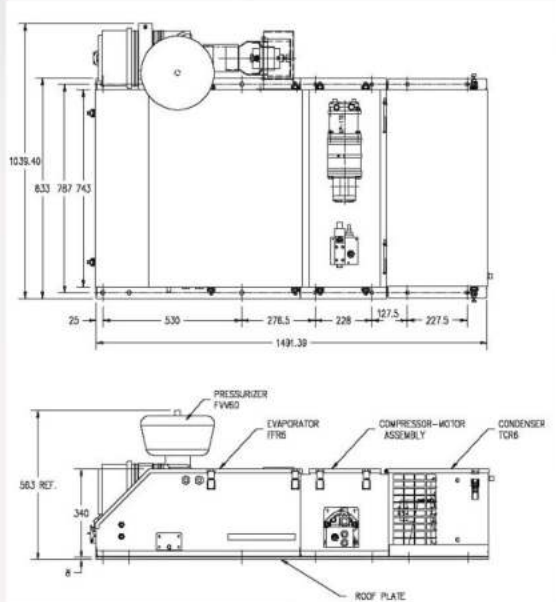
Unless otherwise stated, performance measurements are conducted in accordance with SAE J638 for heaters and IMACA 200 for evaporators.

Dimensions layout



Bergstrom Electrified

Line Drawing



When placing an order please contact your sales representative to review your order to ensure the proper system has been identified for your vehicle application.

Availability of the products shown in this catalog is subject to change without notice by Bergstrom, Inc. For the most current product information please visit the Bergstrom Distributor website at <https://parts.shop.bergstrominc.com/>.

Warranty

- 1-year limited warranty

 <b>TPW5 HVAC SYSTEM</b>	<b>VOLTS</b> <b>24</b>	<b>DESCRIPTION</b> <b>Bergstrom Electrified System</b>
--	---------------------------	---



**Features**

- Heavy gauge stainless steel construction
- Hydraulic driven compressor
- High efficiency, servicable filter to ensure extremely clean air is supplied to the cab
- Electronic temperature control
- Precise hydraulic control

**Suggested Applications**



**Technical Specifications**

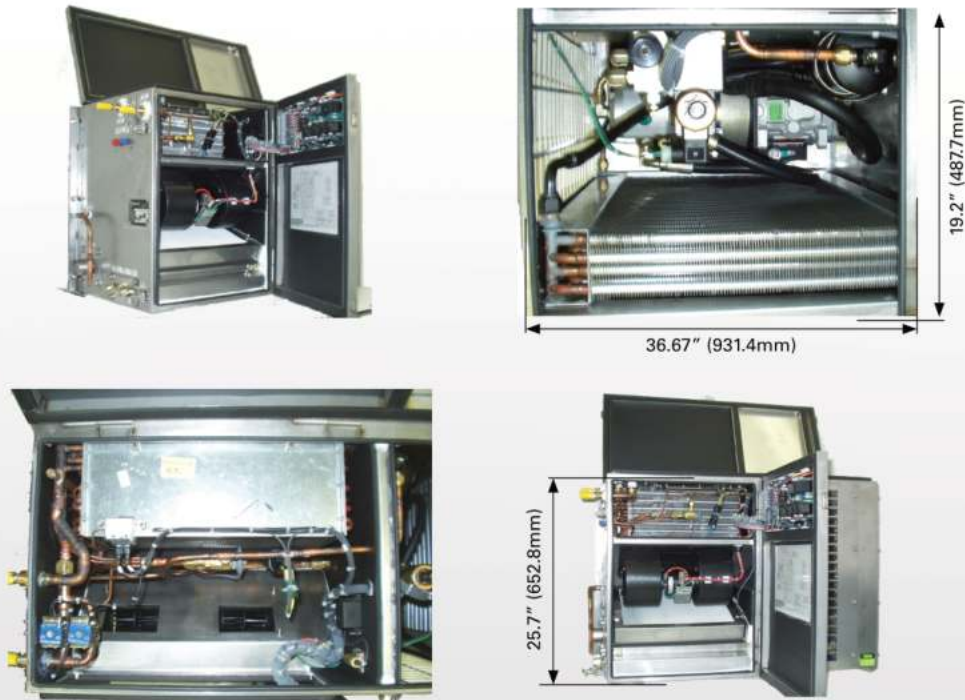
Model	TPW5 24V
Capacity*	Cold: 18,000 BTU/hr (5,3 kW) Hot: 40,000 BTU/hr (11,7 kW)
Amps	25 AMPS @ 24 V.D.C.
Maximum air flow	450 SCFM (765 m³/hr)
Dimensions (L x W x H)	36.67in x 19.2in x 25.7in (931.4mm x 487.7mm x 652.8mm)
Weight	375 lb (170 kg)
Mounting Position	Deck

(\* ) System cooling capacity is based on system component-calculated capacities in accordance with IMACA 200 standard test conditions: 100°F and 81°F FDB/67°F FWB (38°C and 27/19°C) return air.

Unless otherwise stated, performance measurements are conducted in accordance with SAE J638 for heaters and IMACA 200 for evaporators.

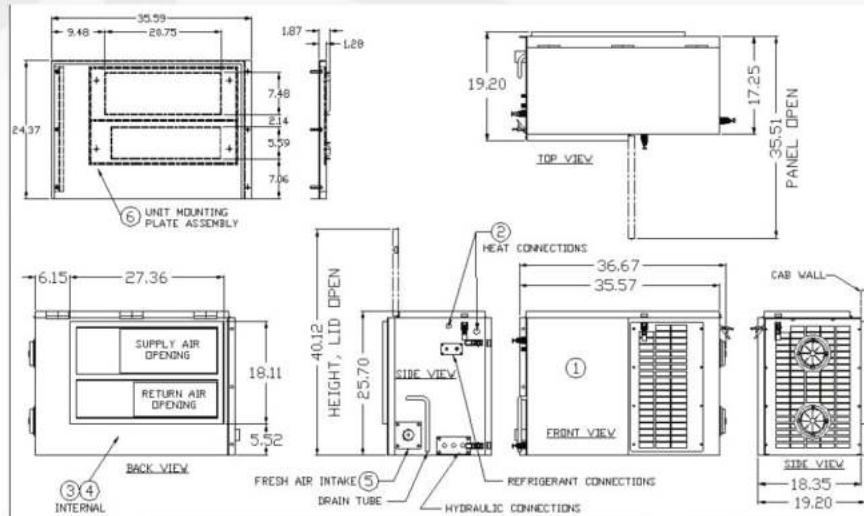


**Dimensions layout**



Bergstrom Electrified

**Line Drawing**



When placing an order please contact your sales representative to review your order to ensure the proper system has been identified for your vehicle application.

Availability of the products shown in this catalog is subject to change without notice by Bergstrom, Inc. For the most current product information please visit the Bergstrom Distributor website at <https://parts.shop.bergstrominc.com/>.

**Warranty**

- 1-year limited warranty





# School Bus Systems

Front Bulkhead Evaporator Unit	508
Rear Bulkhead Evaporator Unit	509
Dash Evaporator Unit	510
Midship Evaporator Unit	511
Dual Fan Ceiling Evaporator Unit	512
2-Fan Condenser	513
3-Fan Condenser	514
Bus Service Parts	515

School Bus Systems



When placing an order please contact your sales representative to review your order to ensure the proper system has been identified for your vehicle application.

All School Bus systems have a 3-year warranty.

Availability of the products shown in this reference guide is subject to change without notice by Bergstrom, Inc. For the most current product information please visit the Bergstrom Distributor website at <https://shop.bergstrominc.com/>.

	<b>NAME</b> <b>FRONT BULKHEAD EVAPORATOR UNIT</b>	<b>VOLTS</b> <b>12</b>	<b>DESCRIPTION</b> <b>Bus System</b>
--	--	---------------------------	---



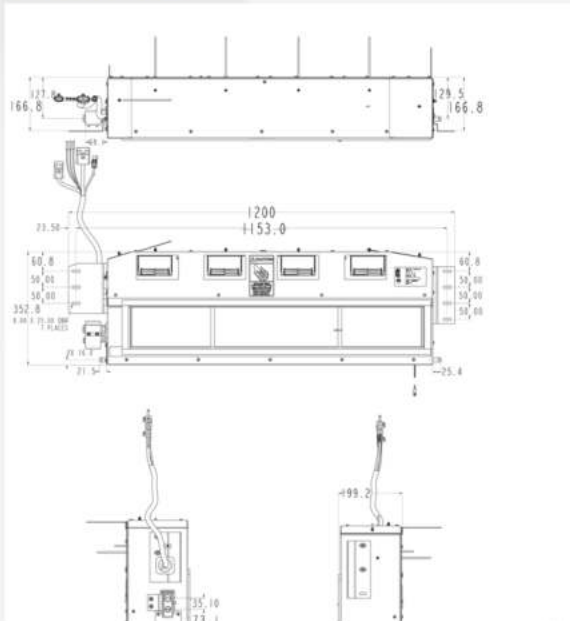
**Features**

- Adjustable mounting brackets for easier installation
- 2-Ton thermal expansion valve for improved AC performance
- Galvannealed steel drain pans to prevent rusting and maximize durability
- Durable ABS plastic cover to prevent scratches and fractures
- Fully adjustable louvers to direct air flow and maximize comfort
- Easy serviceable filters
- Fully insulated case to prevent case sweating
- An optional driver airflow duct with fully adjustable louver to maximize driver comfort
- Bergstrom engineered
- Refrigerant line routing and refrigerant charge determined via iterative testing to optimize system performance
- Low pressure switch, high pressure switch, and freeze protection strategically engineered to protect compressor life
- Electronic freeze protection (prevents the coils from freezing out) – FYI, no one really has this functionality. (You don’t want your coil to freeze up or else you will lose performance.)

**Suggested Applications**



**Line Drawing**



**Front Bulkhead Unit Technical Specifications**

Model	Front Bulkhead
Voltage	12V
Capacity	55,000 / 60,000 BTU/hr (16,0 / 17,6 kW)
Amps	25 A/h
Maximum air flow	1,600 CFM (2,718 m³/hr)
Dimensions (W x H x D)	39.8 in x 13.82 in x 7.28 in (1011mm x 351mm x 185mm)
Weight	68 lb (30,8 kg)
Mounting Position	In-Wall
Evaporator Part Number	<b>1002637500</b>
Front Cover w/ Driver Duct Part Number	<b>1001792107</b>
Front Cover Part Number	<b>1001444332</b>



When placing an order please contact your sales representative to review your order to ensure the proper system has been identified for your vehicle application.

Availability of the products shown in this catalog is subject to change without notice by Bergstrom, Inc. For the most current product information please visit the Bergstrom Distributor website at <https://parts.shop.bergstrominc.com/>.

\*Actual system performance is dependent on installation, configuration and components used.

**Suggested Compressor: Sanden SD7 Enhanced or Seltec TM-21**

**Warranty**  
 • 3-year limited warranty

**NAME**  
**REAR BULKHEAD**  
**EVAPORATOR UNIT**

**VOLTS**  
**12**

**DESCRIPTION**  
**Bus System**



**Features**

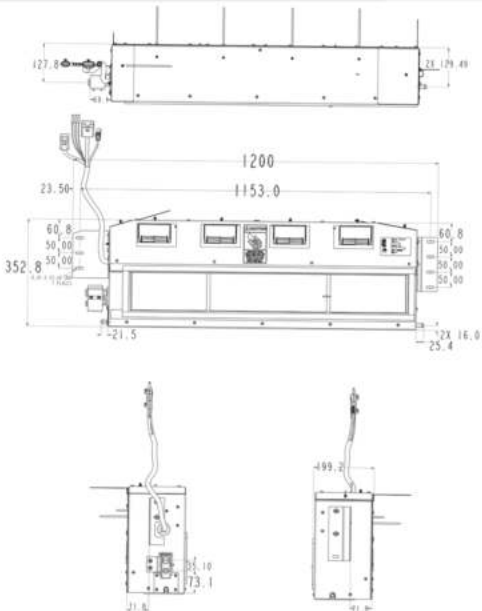
- Adjustable mounting brackets for easier installation
- 2-Ton thermal expansion valve for improved AC performance
- Galvannealed steel drain pans to prevent rusting and maximize durability
- Durable ABS plastic cover to prevent scratches and fractures.
- Fully adjustable louvers to direct air flow and maximize comfort
- Easy serviceable filters
- Fully insulated case to prevent case sweating
- Bergstrom engineered
- Refrigerant line routing and refrigerant charge determined via iterative testing to optimize system performance
- Low pressure switch, high pressure switch, and freeze protection strategically engineered to protect compressor life
- Electronic freeze protection (prevents the coils from freezing out) – FYI, no one really has this functionality. (You don't want your coil to freeze up or else you will lose performance.)

**Suggested Applications**



Bus Systems

**Line Drawing**



**Rear Bulkhead Unit Technical Specifications**

Model	Rear Bulkhead
Voltage	12V
Capacity	55,000 / 60,000 BTU/hr (16,0 / 17,6 kW)
Amps	25 A/h
Maximum air flow	1,600 CFM (2,718 m <sup>3</sup> /hr)
Dimensions (W x H x D)	39.8 in x 13.82 in x 7.28 in (1011mm x 351mm x 185mm)
Weight	68 lb (30,8 kg)
Mounting Position	In-Wall
Evaporator Part Number	<b>1002637500</b>
Rear Cover Part Number	<b>1001447961</b>

\*Actual system performance is dependent on installation, configuration and components used.



When placing an order please contact your sales representative to review your order to ensure the proper system has been identified for your vehicle application.

Availability of the products shown in this catalog is subject to change without notice by Bergstrom, Inc. For the most current product information please visit the Bergstrom Distributor website at <https://parts.shop.bergstrominc.com/>.

**Suggested Compressor: Sanden SD7 Enhanced or Seltec TM-21**

**Warranty**

• 3-year limited warranty

 <b>NAME</b> <b>DASH EVAPORATOR UNIT</b>	<b>VOLTS</b> <b>12</b>	<b>DESCRIPTION</b> <b>Bus System</b>
---	---------------------------	---



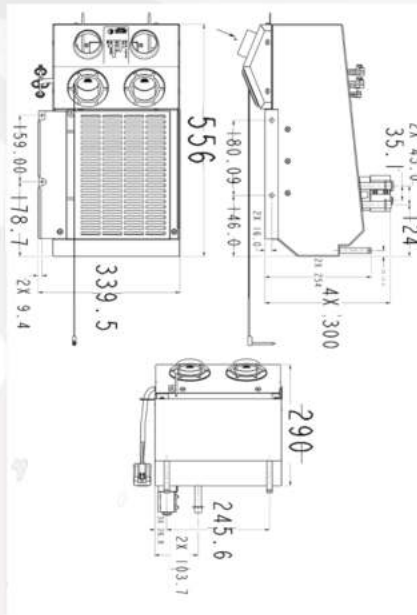
**Features**

- Adjustable mounting brackets for easier installation
- 2-Ton thermal expansion valve for improved AC performance
- Galvannealed steel drain pans to prevent rusting and maximize durability
- Durable ABS plastic cover to prevent scratches and fractures
- Fully adjustable louvers to direct air flow and maximize comfort
- Easy serviceable filters
- Fully insulated case to prevent case sweating
- An optional driver airflow duct with fully adjustable louver to maximize driver comfort
- Bergstrom engineered
- Refrigerant line routing and refrigerant charge determined via iterative testing to optimize system performance
- Low pressure switch, high pressure switch, and freeze protection strategically engineered to protect compressor life
- Electronic freeze protection (prevents the coils from freezing out) – FYI, no one really has this functionality. (You don’t want your coil to freeze up or else you will lose performance.)

**Suggested Applications**



**Line Drawing**



**Dash Unit Technical Specifications**

Model	Dash
Voltage	12V
Capacity	26,833 BTU/hr (7.9 kW)
Amps	19.3 A/h
Maximum air flow	323 CFM (549 m <sup>3</sup> /hr)
Dimensions (W x H x D)	13.37 in x 21.89 in x 11.42 in (339.5 mm x 556 mm x 290 mm)
Weight	68 lb (30.8 kg)
Mounting Position	Dash
ICC Dash with Air Package Part Number	<b>1003088131</b>

\*Actual system performance is dependent on installation, configuration and components used.

**Suggested Compressor: Sanden SD7 Enhanced or Seltec TM-21**



When placing an order please contact your sales representative to review your order to ensure the proper system has been identified for your vehicle application.

Availability of the products shown in this catalog is subject to change without notice by Bergstrom, Inc. For the most current product information please visit the Bergstrom Distributor website at <https://parts.shop.bergstrominc.com/>.

**Warranty**  
 • 3-year limited warranty

NAME <b>MIDSHIP EVAPORATOR UNIT</b>	VOLTS <b>12</b>	DESCRIPTION Bus System
--	--------------------	---------------------------



**Suggested Applications**

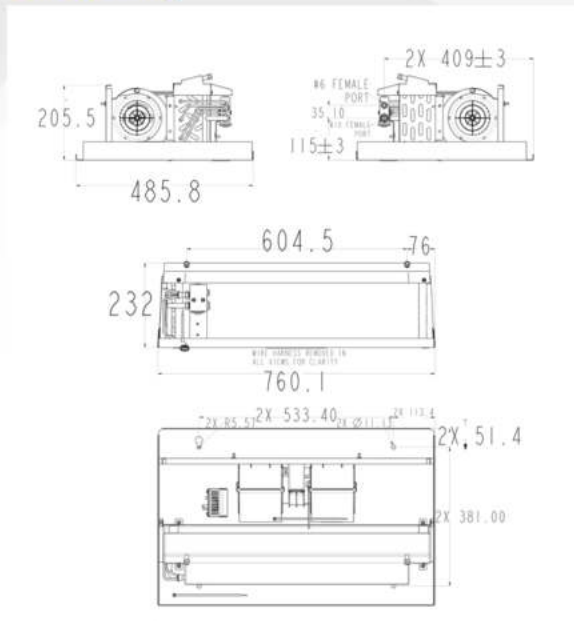


**Features**

- Adjustable mounting brackets for easier installation
- 2-Ton thermal expansion valve for improved AC performance
- Galvannealed steel drain pans to prevent rusting and maximize durability
- Durable ABS plastic cover to prevent scratches and fractures.
- Fully adjustable louvers to direct air flow and maximize comfort
- Easy serviceable filters
- Fully insulated case to prevent case sweating
- Bergstrom engineered
- Refrigerant line routing and refrigerant charge determined via iterative testing to optimize system performance
- Low pressure switch, high pressure switch, and freeze protection strategically engineered to protect compressor life
- Electronic freeze protection (prevents the coils from freezing out) – FYI, no one really has this functionality. (You don't want your coil to freeze up or else you will lose performance.)

Bus Systems

**Line Drawing**



**Midship Unit Technical Specifications**

Model	Midship
Voltage	12V
Capacity	35,000 BTU/hr (10,3 kW)
Amps	15 A/h
Maximum air flow	800 CFM (1,359 m <sup>3</sup> /hr)
Dimensions (W x H x D)	29.93 in x 9.13 in x 19.13 in (760.1 mm x 232 mm x 485.8 mm)
Weight	30 lb (13.6 kg)
Mounting Position	Headliner
Midship Cover Part Number	<b>1002382256</b>
Midship 1 Blower Cover Part Number (12 17/32" H)	<b>1002243215</b>
Midship 1 Blower Cover Part Number (12 1/2" H)	<b>1002243216</b>

\*Actual system performance is dependent on installation, configuration and components used.

**Suggested Compressor: Sanden SD7 Enhanced or Seltac TM-21**



When placing an order please contact your sales representative to review your order to ensure the proper system has been identified for your vehicle application.

Availability of the products shown in this catalog is subject to change without notice by Bergstrom, Inc. For the most current product information please visit the Bergstrom Distributor website at <https://parts.shop.bergstrominc.com/>.

**Warranty**

• 3-year limited warranty


**NAME**  
**DUAL FAN CEILING**  
**EVAPORATOR UNIT**
**VOLTS**  
**12**
**DESCRIPTION**  
**Bus System**

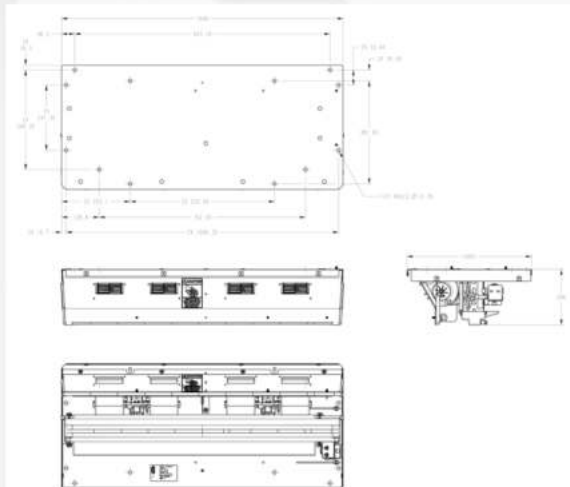

### Features

- Adjustable mounting brackets for easier installation
- 2-Ton thermal expansion valve for improved AC performance
- Galvannealed steel drain pans to prevent rusting and maximize durability
- Durable ABS plastic cover to prevent scratches and fractures
- Fully adjustable louvers to direct air flow and maximize comfort
- Easy serviceable filters
- Fully insulated case to prevent case sweating
- An optional driver airflow duct with fully adjustable louver to maximize driver comfort
- Bergstrom engineered
- Refrigerant line routing and refrigerant charge determined via iterative testing to optimize system performance
- Low pressure switch, high pressure switch, and freeze protection strategically engineered to protect compressor life
- Electronic freeze protection (prevents the coils from freezing out) – FYI, no one really has this functionality. (You don't want your coil to freeze up or else you will lose performance.)

### Suggested Applications



### Line Drawing



### Dash Unit Technical Specifications

Model	Dash
Voltage	12V
Capacity	60,000 BTU/hr (17,6 kW)
Amps	15 A/h
Maximum air flow	800 CFM (1,359 m <sup>3</sup> /hr)
Dimensions (W x H x D)	30.55 in. x 14.57 in. x 26.18 in. 776 mm x 370 mm x 665 mm
Weight	30 lb (13,6 kg)
Mounting Position	Headliner

\*Actual system performance is dependent on installation, configuration and components used.

**Suggested Compressor: Sanden SD7 Enhanced or Seltec TM-21**



When placing an order please contact your sales representative to review your order to ensure the proper system has been identified for your vehicle application.

Availability of the products shown in this catalog is subject to change without notice by Bergstrom, Inc. For the most current product information please visit the Bergstrom Distributor website at <https://parts.shop.bergstrominc.com/>.

#### Warranty

• 3-year limited warranty



NAME <b>2-FAN CONDENSER</b>	VOLTS <b>12</b>	DESCRIPTION Bus System
--------------------------------	--------------------	---------------------------



**Features**

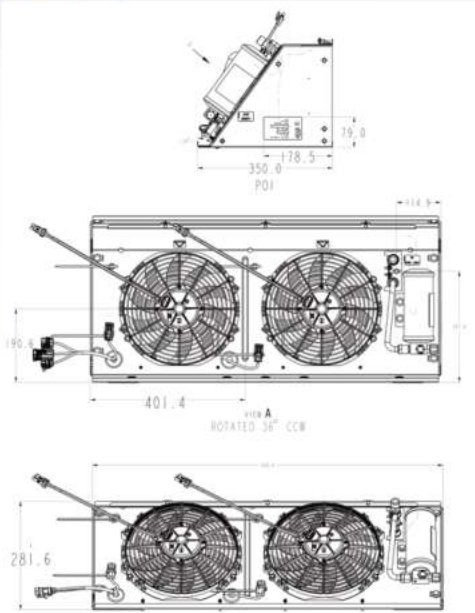
- Adjustable mounting brackets for easier installation
- 2-Ton thermal expansion valve for improved AC performance
- Galvanized steel drain pans to prevent rusting and maximize durability
- Durable ABS plastic cover to prevent scratches and fractures
- Fully adjustable louvers to direct air flow and maximize comfort
- Easy serviceable filters
- Fully insulated case to prevent case sweating
- An optional driver airflow duct with fully adjustable louver to maximize driver comfort
- Bergstrom engineered
- Refrigerant line routing and refrigerant charge determined via iterative testing to optimize system performance
- Low pressure switch, high pressure switch, and freeze protection strategically engineered to protect compressor life
- Electronic freeze protection (prevents the coils from freezing out) – FYI, no one really has this functionality. (You don't want your coil to freeze up or else you will lose performance.)

**Suggested Applications**



Bus Systems

**Line Drawing**



**2-Fan Condenser Unit Technical Specifications**

Model	2-Fan Condenser
Voltage	12V
Capacity	51,000 BTU/hr (14,9 kW)
Amps	18 A/h
Maximum air flow	1,050 CFM (1,783.9 m3/hr)
Dimensions (W x H x D)	35.77 in x 11.09 in x 13.78 in (908.6 mm x 281.6 mm x 350.0 mm)
Weight	50 lb (21.8 kg)
Mounting Position	Skirt Mount

\*Actual system performance is dependent on installation, configuration and components used.

**Suggested Compressor: Sanden SD7 Enhanced or Seltec TM-21**



When placing an order please contact your sales representative to review your order to ensure the proper system has been identified for your vehicle application.

Availability of the products shown in this catalog is subject to change without notice by Bergstrom, Inc. For the most current product information please visit the Bergstrom Distributor website at <https://parts.shop.bergstrominc.com/>.

**Warranty**  
 • 3-year limited warranty



NAME  
**3-FAN CONDENSER**

VOLTS  
**12**

DESCRIPTION  
Bus System



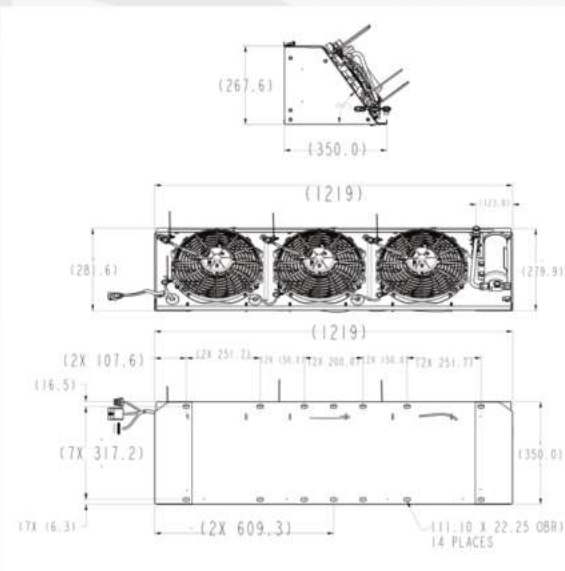
**Features**

- Adjustable mounting brackets for easier installation
- 2-Ton thermal expansion valve for improved AC performance
- Galvannealed steel drain pans to prevent rusting and maximize durability
- Durable ABS plastic cover to prevent scratches and fractures.
- Fully adjustable louvers to direct air flow and maximize comfort
- Easy serviceable filters
- Fully insulated case to prevent case sweating
- Bergstrom engineered
- Refrigerant line routing and refrigerant charge determined via iterative testing to optimize system performance
- Low pressure switch, high pressure switch, and freeze protection strategically engineered to protect compressor life
- Electronic freeze protection (prevents the coils from freezing out) – FYI, no one really has this functionality. (You don't want your coil to freeze up or else you will lose performance.)

**Suggested Applications**



**Line Drawing**



**3-Fan Condenser Unit Technical Specifications**

Model	3-Fan Condenser
Voltage	12V
Capacity	76,000 BTU/hr (22,3 kW)
Amps	26.0 A/h
Maximum air flow	1,570 CFM (2,667m <sup>3</sup> /hr)
Dimensions (W x H x D)	47.99 in x 11.09 in x 13.78 in (1219 mm x 281.6 mm x 350 mm)
Weight	67 lb (30.4 kg)
Mounting Position	Skirt Mount
Condenser Part Number	<b>1003008277</b> <b>1003008278</b>

\*Actual system performance is dependent on installation, configuration and components used.

**Suggested Compressor: Sanden SD7 Enhanced or Seltec TM-21**



When placing an order please contact your sales representative to review your order to ensure the proper system has been identified for your vehicle application.

Availability of the products shown in this catalog is subject to change without notice by Bergstrom, Inc. For the most current product information please visit the Bergstrom Distributor website at <https://parts.shop.bergstrominc.com/>.

**Warranty**

• 3-year limited warranty

	<b>NAME</b> <b>BUS SERVICE PARTS</b>	<b>VOLTS</b>	<b>DESCRIPTION</b> Bus System
--	---	--------------	----------------------------------

**Part No: 530794**



Aluminum Tape

**Part No: 550557**



Tube Fitting

**Part No: 560046**



5/8" Gates Blue Strip Hose

**Part No: 560169**



1" Gates Blue Strip Hose

**Part No: 575750**



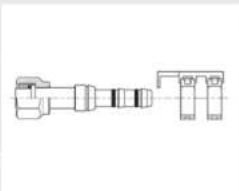
1/2" Drain Hose

**Part No: 630063**



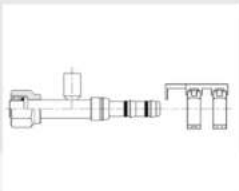
Insulation Cap

**Part No: 1000021585**



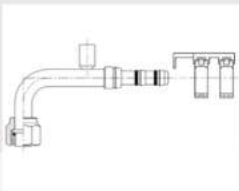
Straight Female No. 8 - No. 10 O-Ring Fitting with Clamp Assembly

**Part No: 1000021925**



Straight Female No. 8 - No. 10 O-Ring Fitting with Switch or Service Port and Clamp Assembly

**Part No: 1000022508**



90° Female No. 8 - No. 10 O-Ring Fitting with Switch or Service Port and Clamp Assembly

**Part No: 1000022610**



45° Female No. 8 - No. 10 O-Ring Fitting with Clamp Assembly

**Part No: 1000022616**



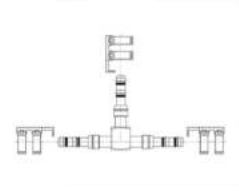
45° Female No. 10 - No. 12 O-Ring Fitting with Clamp Assembly

**Part No: 1000023984**



Straight Splicer with 13mm Service Port and Clamp Assembly No. 12 Fitting

**Part No: 1000024116**



3-Way T-Splicer No. 12 Fitting with Clamp Assembly

**Part No: 1000036118**



TXV Clamp Plate

**Part No: 1000174254**



White Mega Fuse, 175A

Bus Systems

NAME		VOLTS	DESCRIPTION
<span style="font-size: 24px; font-weight: bold; vertical-align: middle;">BUS SERVICE PARTS</span>			Bus Systems

**Part No: 1000174302**



Hose Guard Grommet, 2.8in

**Part No: 1000902271**



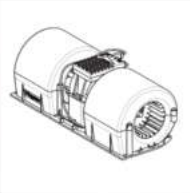
Expansion Valve with Solenoid

**Part No: 1000925120**



2 1/4" Hose Clamp

**Part No: 1001009235**



24V Blower Assembly

**Part No: 1001268625**



1-Speed Rear Fan DPDT Switch

**Part No: 1001269115**



1-Speed Front Fan DPDT Switch

**Part No: 1001269129**



3-Speed Rear Fan SPTT Switch

**Part No: 1001269136**



3-Speed Front Fan SPTT Switch

**Part No: 1001269143**



3-Speed Midship Fan SPTT Switch

**Part No: 1001269150**



3-Speed Dash Fan SPTT Switch

**Part No: 1001344307**



Panel Duct

**Part No: 1001344423**



Center Panel Duct

**Part No: 1001345204**



Trim Panel

**Part No: 1001356228**



Valeo Vertical 3/4" x 7/8" Male Inverted O-Ring Cylinder Head Fitting

**Part No: 1001360137**



Hose Floor Cover


NAME	BUS SERVICE PARTS	VOLTS	DESCRIPTION
			Bus Systems

**Part No: 1001370182**



No. 12 Splice Fitting with Port

**Part No: 1001370413**



Foil Insulation

**Part No: 1001384829**



Drain Check Hose Assembly

**Part No: 1001384875**



Pan Head Screw, #10-16 x 3/4

**Part No: 1001385394**



1/2" Drain Elbow Fitting

**Part No: 1001385729**



1/2" Drain Tee Fitting

**Part No: 1001385828**



1/2" Drain Splice Fitting

**Part No: 1001386291**



Tape Insulation

**Part No: 1001388232**



Acorn Black Nut, M6

**Part No: 1001396392**



3-Speed Midship Fan DPTT Switch

**Part No: 1001396393**



1-Speed Front Fan DPST Switch

**Part No: 1001396394**



3-Speed Front Fan DPTT Switch

**Part No: 1001396395**



1-Speed Rear Fan DPST Switch

**Part No: 1001396396**



3-Speed Rear Fan DPTT Switch

**Part No: 1001396399**



3-Speed Dash Fan DPTT Switch

Bus Systems



Part No: 1001397759



Low Pressure Switch

Part No: 1001402193



1/2" Hose Clamp

Part No: 1001402674



Bus Refrigerant Sticker

Part No: 1001404191



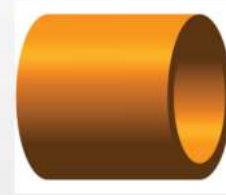
25.4 mm Tee Brass Fitting

Part No: 1001406901



Bus Warranty Document

Part No: 1001407416



Sleeve Space for M10

Part No: 1001408847



Philip Pan Head Screw, M6-1.0 x 20

Part No: 1001410556



Water Valve and Bracket

Part No: 1001411187



Drain Hose Cover

Part No: 1001412708



LP Switch Harness

Part No: 1001420498



MIDI Fuse, 30A

Part No: 1001420499



MIDI Fuse, 50A

Part No: 1001420500



MIDI Fuse, 80A

Part No: 1001421323



Power Distribution and Fuse Holder

Part No: 1001426166



1-Speed Rear and Midship Fan DPST Switch



Part No: 1001444334



Filter Grille Weldment

Part No: 1001452271



Mega SN-Series Fuse Holder

Part No: 1001452286



Power Distribution Module

Part No: 1001497245



IC Corp Rear Bulkhead Cover

Part No: 1001509595



Rectangle Louver

Part No: 1001549546



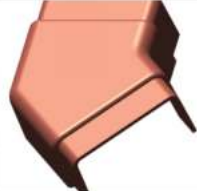
Nylon Snap Bushing

Part No: 1001574134



IC Corp Panel Duct

Part No: 1001574340



IC Corp Center Panel Duct

Part No: 1001574350



IC Corp Drain Hose Cover

Part No: 1001579532



IC Corp Rear Plastic Boot Panel

Part No: 1001579546



IC Corp Closeout Panel

Part No: 1001590271



1-Speed Dash Fan DPDT Switch

Part No: 1001595686



Electronic Freeze Switch

Part No: 1001608733



Trim Panel Retainer

Part No: 1001660308



Fan Warning Decal

Bus Systems

NAME	VOLTS	DESCRIPTION
<b>BUS SERVICE PARTS</b>		Bus Systems

**Part No: 1001793977**



IC Corp Front Bulkhead Cover with Driver Duct

**Part No: 1001844394**



45° Male O-Ring No. 6 - No. 8 Fitting with Neoprene O-Ring

**Part No: 1001845014**



45° Male O-Ring No. 12 Fitting with Neoprene O-Ring

**Part No: 1002081323**



3/4" Wire Loom

**Part No: 1002086599**



Seltec/Valeo Style Compressor

**Part No: 1002124900**



No. 10 Splice Fitting with Clamps

**Part No: 1002206104**



Hinged Screw Cover Cap

**Part No: 1002274327**



Pipe Lap Seal Insulation

**Part No: 1002279857**



Bulkhead Control Panel, 5-Relay

**Part No: 1002308804**



White Rooftop Cover

**Part No: 1002346630**



Winter White Rooftop Cover

**Part No: 1002549432**



Freeze Switch Jumper Wire Harness

**Part No: 1002555730**



HVAC - Umbilical Freeze Switch Kit

**Part No: 1002555731**



HVAC - Condenser Jumper Kit

**Part No: 1002755105**



Condenser Wire Harness



	NAME <b>BUS SERVICE PARTS</b>	VOLTS	DESCRIPTION Bus Systems
--	----------------------------------	-------	----------------------------

**Part No: 1002780424**



Dash Heat Valve Relocation Kit

**Part No: 1003054341**



Front Bulkhead Bracket

**Part No: 1003059074**



Rear Bulkhead Weldment Assembly Bracket, RH

**Part No: 1003059080**



Rear Bulkhead Weldment Assembly Bracket, LH

**Part No: 1003065966**



Rear Bulkhead Bracket

**Part No: 1003066537**



FRont Bulkhead Bracket

**Part No: 1003066545**



Rear Bulkhead Lower Bracket

**Part No: B290279**



Hose Clamp

**Part No: B290306**



Hose Clip

**Part No: B290312**



Hose Clip

**Part No: B290342**



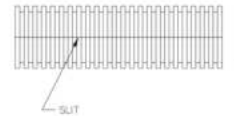
Hose Clamp

**Part No: B300613**



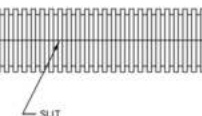
Edge Guard, Bulk

**Part No: B300637**



7/8" Hose Guard

**Part No: B300638**



1" Hose Guard

**Part No: B300642**



7/16" Wire Loom

Bus Systems

NAME <b>BUS SERVICE PARTS</b>	VOLTS	DESCRIPTION Bus Systems
----------------------------------	-------	----------------------------

**Part No: B300648**



Bulk Wire Loom, .25" I.D.



# Solar Energy Systems

36 Cell Solar Panel	524
48 Cell Solar Panel	525
64 Cell Solar Panel	526
72 Cell Solar Panel	527
144 Cell Solar Panel	530
Lift Gate Kits	531
Electrical Inverter Kits	533

Solar Energy Systems



When placing an order please contact your sales representative to review your order to ensure the proper system has been identified for your vehicle application.

All Solar systems have a 5-year warranty.

Availability of the products shown in this reference guide is subject to change without notice by Bergstrom, Inc. For the most current product information please visit the Bergstrom Distributor website at <https://shop.bergstrominc.com/>.



NAME

**36 CELL SOLAR PANEL**

DESCRIPTION

Solar Energy Systems



**36 Cell Technical Specifications**

<b>Part No:</b>	<b>1002766559</b>
<b>Description</b>	85W 5 x 7 Half Cell Panel Solar Module with Optimized 15 amp Charge Controller and Fuse
<b>Dimensions (L x W x T)</b>	35 in x 32 in x 45/64 in (889 mm x 812.8 mm x 17.8 mm)
<b>Notes</b>	35 half cell (5 x 7), 85 watt

4-6 weeks lead time, smaller quantities may be in stock



<b>Part No:</b>	<b>1002759932</b>
<b>Description</b>	165W 4 x 9 Cell Panel Solar Module with Optimized 15 amp Charge Controller and Fuse
<b>Dimensions (L x W x T)</b>	28 in x 62 in x 45/64 in (711.2 mm x 1574.8 mm x 17.8 mm)
<b>Notes</b>	36 cell (4 x 9), 165 watt

4-6 weeks lead time, smaller quantities may be in stock

**Features**

- 36 series connected, high efficiency, Merlin solar cells optimize panel performance
- Merlin technology yields higher energy & increased durability
- Low weight, non-penetrating mounting solutions take advantage of the lightweight module characteristics
- Superior low-sun angle and low light performance provide excellent energy yield
- Bypass diodes allow for maximum performance under shade conditions
- Weather resistant package, sealed junction box and protective back sheet provide a long life, reliable and durable package
- Modules are built and tested to UL standard 1703, IEC 61215 & IEC61730

**Suggested Applications**





NAME

**48 CELL SOLAR PANEL**

DESCRIPTION

Solar Energy Systems



**48 Cell Technical Specifications**

Part No:	<b>1002766560</b>
Description	3 x 80W 2 x 8 Cell Panel Solar Module Kit with Optimized 30 amp Charge Controller and Fuse
Dimensions (L x W xT)	15 in x 60 in x 45/64 in (381 mm x 1524 mm x 17.8 mm)
Notes	16 cell (2 x 8) per panel, 3 x 80 watt

4-6 weeks lead time, smaller quantities may be in stock

Solar Energy Systems

**Features**

- 48 series connected, high efficiency, Merlin solar cells optimize panel performance
- Merlin technology yields higher energy & increased durability
- Low weight, non-penetrating mounting solutions take advantage of the lightweight module characteristics
- Superior low-sun angle and low light performance provide excellent energy yield
- Bypass diodes allow for maximum performance under shade conditions
- Weather resistant package, sealed junction box and protective back sheet provide a long life, reliable and durable package
- Modules are built and tested to UL standard 1703, IEC 61215 & IEC61730



When placing an order please contact your sales representative to review your order to ensure the proper system has been identified for your vehicle application.

Availability of the products shown in this catalog is subject to change without notice by Bergstrom, Inc. For the most current product information please visit the Bergstrom Distributor website at <https://parts.shop.bergstrominc.com/>.

**Warranty**

• 5-year limited warranty

**Suggested Applications**



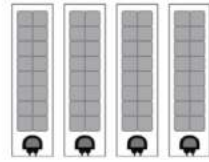


NAME

**64 CELL SOLAR PANEL**

DESCRIPTION

Solar Energy Systems



**64 Cell Technical Specifications**

<b>Part No:</b>	<b>1002766561</b>
<b>Description</b>	320W (80W 2 x 8 Cell Panel) Solar Module with Optimized 30 amp Charge Controller and Fuse
<b>Dimensions (L x W x T)</b>	15 in x 60 in x 45/64 in (381 mm x 1524 mm x 17.8 mm)
<b>Notes</b>	16 cell (2 x 8) per panel, 4 x 80 watt

4-6 weeks lead time, smaller quantities may be in stock

**Features**

- 48 series connected, high efficiency, Merlin solar cells optimize panel performance
- Merlin technology yields higher energy & increased durability
- Low weight, non-penetrating mounting solutions take advantage of the lightweight module characteristics
- Superior low-sun angle and low light performance provide excellent energy yield
- Bypass diodes allow for maximum performance under shade conditions
- Weather resistant package, sealed junction box and protective back sheet provide a long life, reliable and durable package
- Modules are built and tested to UL standard 1703, IEC 61215 & IEC61730

**Suggested Applications**





NAME

**72 CELL SOLAR PANEL**

DESCRIPTION

Solar Energy Systems



**72 Cell Technical Specifications**

<b>Part No:</b>	<b>1002766562</b>
<b>Description</b>	330W 6 x 12 Cell Panel Solar Module with Optimized 30 amp Charge Controller and Fuse
<b>Dimensions (L x W x T)</b>	78 in x 43 in x 45/64 in (1981.2 mm x 1092.2 mm x 17.8 mm)
<b>Notes</b>	72 cell (6 x 12), 330 watt

4-6 weeks lead time, smaller quantities may be in stock



<b>Part No:</b>	<b>1002766563</b>
<b>Description</b>	330W (2 x 165W 4 x 9 Cell Panel) Solar Module with Optimized 30 amp Charge Controller and Fuse
<b>Dimensions (L x W x T)</b>	28 in x 62 in x 45/64 in (711.2 mm x 1574.8 mm x 17.8 mm)
<b>Notes</b>	36 cell (4 x 9) per panel, 2 x 165 watt

4-6 weeks lead time, smaller quantities may be in stock

Solar Energy Systems

**Features**

- 72 series connected, high efficiency, Merlin solar cells optimize panel performance
- Merlin technology yields higher energy & increased durability
- Low weight, non-penetrating mounting solutions take advantage of the lightweight module characteristics
- Superior low-sun angle and low light performance provide excellent energy yield
- Bypass diodes allow for maximum performance under shade conditions
- Weather resistant package, sealed junction box and protective back sheet provide a long life, reliable and durable package
- Modules are built and tested to UL standard 1703, IEC 61215 & IEC61730

**Suggested Applications**



When placing an order please contact your sales representative to review your order to ensure the proper system has been identified for your vehicle application.

Availability of the products shown in this catalog is subject to change without notice by Bergstrom, Inc. For the most current product information please visit the Bergstrom Distributor website at <https://parts.shop.bergstrominc.com/>.

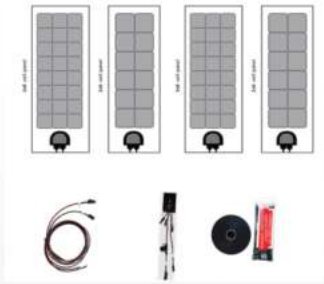
**Warranty**

• 5-year limited warranty



**NAME**  
**72 CELL SOLAR PANEL**

**DESCRIPTION**  
Solar Energy Systems



**72 Cell Technical Specifications**

<b>Part No:</b>	<b>1002766565</b>
<b>Description</b>	3360W (2 x 60W 2 x 6 Cell Panel & 2 x 120W 3 x 8 Cell Panel) Solar Module with Optimized 30 amp Charge Controller and Fuse
<b>Dimensions (L x W xT)</b>	22 in x 60 in x 45/64 in & 15 in x 40 in x 45/64 in (558.8 mm x 1524 mm x 17.8 mm & 381 mm x 1016 mm x 17.8 mm)
<b>Notes</b>	12 cell (2 x 6) per panel, 2 x 60 watt & 24 cell (3 x 8) per panel, 2 x 120W

4-6 weeks lead time, smaller quantities may be in stock

**Features**

- 72 series connected, high efficiency, Merlin solar cells optimize panel performance
- Merlin technology yields higher energy & increased durability
- Low weight, non-penetrating mounting solutions take advantage of the lightweight module characteristics
- Superior low-sun angle and low light performance provide excellent energy yield
- Bypass diodes allow for maximum performance under shade conditions
- Weather resistant package, sealed junction box and protective back sheet provide a long life, reliable and durable package
- Modules are built and tested to UL standard 1703, IEC 61215 & IEC61730

**Suggested Applications**







NAME

**96 CELL SOLAR PANEL**

DESCRIPTION

Solar Energy Systems



### 96 Cell Technical Specifications

Part No:	<b>1002766566</b>
Description	440W (4 x 110W 2 x 12 Cell Panels) Solar Module Kit with Optimized 30 amp Charge Controller and Fuse
Voltage	12V
Dimensions (L x W x T)	15 in x 80 in x 45/64 in (381 mm x 2032 mm x 178 mm)
Notes	24 cell (2 x 12) per panel, 4 x 440 watt

4-6 weeks lead time, smaller quantities may be in stock

Solar Energy Systems

### Features

- 96 series connected, high efficiency, Merlin solar cells optimize panel performance
- Merlin technology yields higher energy & increased durability
- Low weight, non-penetrating mounting solutions take advantage of the lightweight module characteristics
- Superior low-sun angle and low light performance provide excellent energy yield
- Bypass diodes allow for maximum performance under shade conditions
- Weather resistant package, sealed junction box and protective back sheet provide a long life, reliable and durable package
- Modules are built and tested to UL standard 1703, IEC 61215 & IEC61730

### Suggested Applications



When placing an order please contact your sales representative to review your order to ensure the proper system has been identified for your vehicle application.

Availability of the products shown in this catalog is subject to change without notice by Bergstrom, Inc. For the most current product information please visit the Bergstrom Distributor website at <https://parts.shop.bergstrominc.com/>.

#### Warranty

- 5-year limited warranty



NAME  
**144 CELL SOLAR  
PANEL**

DESCRIPTION  
**Solar Energy Systems**

### 144 Cell Technical Specifications

Part No:	<b>1002513539</b>
Description	6600W (3 x 220W 4 x 12 Cell Panels) Solar Module Kit with Optimized Charge Controller
Dimensions (L x W x T)	27 in x 80 in x 45/64 in (685.8 mm x 2032 mm x 17.8 mm)
Notes	48 cell (4 x 12) per panel, 3 x 220 watt

4-6 weeks lead time, smaller quantities may be in stock



### Features

- 72 series connected, high efficiency, Merlin solar cells optimize panel performance
- Merlin technology yields higher energy & increased durability
- Low weight, non-penetrating mounting solutions take advantage of the lightweight module characteristics
- Superior low-sun angle and low light performance provide excellent energy yield
- Bypass diodes allow for maximum performance under shade conditions
- Weather resistant package, sealed junction box and protective back sheet provide a long life, reliable and durable package
- Modules are built and tested to UL standard 1703, IEC 61215 & IEC61730

### Suggested Applications



NAME  
**LIFT GATE KITS**

DESCRIPTION  
Solar Energy Systems

**Lift Gate Technical Specifications**



<b>Part No:</b>	<b>1002839530</b>
<b>Description</b>	105W panel and a Charge Controller, 8AWG Battery Cable, 12AWG Home Run Cable
<b>Voltage</b>	12V
<b>Dimensions (L x W x T)</b>	14.8 in x 73.4 in x 45/64 in (376 mm x 1871 mm x 17.8 mm)
<b>Notes</b>	44 half cell (4 x 11) per panel, 105 watt

4-6 weeks lead time, smaller quantities may be in stock



<b>Part No:</b>	<b>1002839531</b>
<b>Description</b>	170W panel and a Charge Controller, 8AWG Battery Cable, 12AWG Home Run Cable
<b>Dimensions (L x W x T)</b>	27 in x 61.3 in x 45/64 in (690 mm x 1556 mm x 17.8 mm)
<b>Notes</b>	36 cell (4 x 9) per panel, 170 watt

4-6 weeks lead time, smaller quantities may be in stock

Solar Energy Systems

**Features**

- High efficiency, Merlin solar cells optimize panel performance
- Merlin technology yields higher energy & increased durability
- Low weight, non-penetrating mounting solutions take advantage of the lightweight module characteristics
- Superior low-sun angle and low light performance provide excellent energy yield
- Bypass diodes allow for maximum performance under shade conditions
- Weather resistant package, sealed junction box and protective back sheet provide a long life, reliable and durable package
- Modules are built and tested to UL standard 1703, IEC 61215 & IEC61730

**Suggested Applications**



When placing an order please contact your sales representative to review your order to ensure the proper system has been identified for your vehicle application.

Availability of the products shown in this catalog is subject to change without notice by Bergstrom, Inc. For the most current product information please visit the Bergstrom Distributor website at <https://parts.shop.bergstrominc.com/>.

**Warranty**

• 5-year limited warranty



**LIFT GATE KITS**

DESCRIPTION  
Solar Energy Systems



**Lift Gate Technical Specifications**

<b>Part No:</b>	<b>1002839532</b>
<b>Description</b>	230W panel and a Charge Controller, 8AWG Battery Cable, 12AWG Home Run Cable
<b>Dimensions (L x W x T)</b>	26.9 in x 79.8 in x 45/64 in (683 mm x 2029 mm x 17.8 mm)
<b>Notes</b>	48 cell (4 x 12) per panel, 230 watt

4-6 weeks lead time, smaller quantities may be in stock



<b>Part No:</b>	<b>1002839533</b>
<b>Description</b>	340W panel and a Charge Controller, 8AWG Battery Cable, 12AWG Home Run Cable
<b>Dimensions (L x W x T)</b>	43.7 in x 78.4 in x 45/64 in (1109 mm x 1992 mm x 17.8 mm)
<b>Notes</b>	72 cell (6 x 12), 340 watt

4-6 weeks lead time, smaller quantities may be in stock

**Features**

- High efficiency, Merlin solar cells optimize panel performance
- Merlin technology yields higher energy & increased durability
- Low weight, non-penetrating mounting solutions take advantage of the lightweight module characteristics
- Superior low-sun angle and low light performance provide excellent energy yield
- Bypass diodes allow for maximum performance under shade conditions
- Weather resistant package, sealed junction box and protective back sheet provide a long life, reliable and durable package
- Modules are built and tested to UL standard 1703, IEC 61215 & IEC61730

**Suggested Applications**





**ELECTRICAL INVERTER KITS**

DESCRIPTION  
Solar Energy Systems

**Electrical Inverter Kit Technical Specifications**

**Part No:** 1003249997

**Description:** Electrical - 1500 with Inverter Kit

4-6 weeks lead time, smaller quantities may be in stock

**Part No:** 1003249996

**Description:** Electrical - 2000 with Inverter Kit

4-6 weeks lead time, smaller quantities may be in stock

**Part No:** 1003249995

**Description:** Electrical - 2500 with Inverter Kit

4-6 weeks lead time, smaller quantities may be in stock

KIT Part Details										
Part #	Part Name	Quantity	Unit Price	Kit Price	Kit Weight	Kit Volume	Kit Length	Kit Width	Kit Height	Kit Volume
1003249997	Electrical - 1500 with Inverter Kit	1	1,200.00	1,200.00	15.00	1.50	15.00	15.00	15.00	15.00

KIT Battery Charge/Status										
Part #	Part Name	Quantity	Unit Price	Kit Price	Kit Weight	Kit Volume	Kit Length	Kit Width	Kit Height	Kit Volume
1003249997	Electrical - 1500 with Inverter Kit	1	1,200.00	1,200.00	15.00	1.50	15.00	15.00	15.00	15.00

KIT Inverter Charge/Status										
Part #	Part Name	Quantity	Unit Price	Kit Price	Kit Weight	Kit Volume	Kit Length	Kit Width	Kit Height	Kit Volume
1003249997	Electrical - 1500 with Inverter Kit	1	1,200.00	1,200.00	15.00	1.50	15.00	15.00	15.00	15.00

KIT Kit Details										
Part #	Part Name	Quantity	Unit Price	Kit Price	Kit Weight	Kit Volume	Kit Length	Kit Width	Kit Height	Kit Volume
1003249997	Electrical - 1500 with Inverter Kit	1	1,200.00	1,200.00	15.00	1.50	15.00	15.00	15.00	15.00

KIT Part Details										
Part #	Part Name	Quantity	Unit Price	Kit Price	Kit Weight	Kit Volume	Kit Length	Kit Width	Kit Height	Kit Volume
1003249996	Electrical - 2000 with Inverter Kit	1	1,200.00	1,200.00	15.00	1.50	15.00	15.00	15.00	15.00

KIT Battery Charge/Status										
Part #	Part Name	Quantity	Unit Price	Kit Price	Kit Weight	Kit Volume	Kit Length	Kit Width	Kit Height	Kit Volume
1003249996	Electrical - 2000 with Inverter Kit	1	1,200.00	1,200.00	15.00	1.50	15.00	15.00	15.00	15.00

KIT Inverter Charge/Status										
Part #	Part Name	Quantity	Unit Price	Kit Price	Kit Weight	Kit Volume	Kit Length	Kit Width	Kit Height	Kit Volume
1003249996	Electrical - 2000 with Inverter Kit	1	1,200.00	1,200.00	15.00	1.50	15.00	15.00	15.00	15.00

KIT Kit Details										
Part #	Part Name	Quantity	Unit Price	Kit Price	Kit Weight	Kit Volume	Kit Length	Kit Width	Kit Height	Kit Volume
1003249996	Electrical - 2000 with Inverter Kit	1	1,200.00	1,200.00	15.00	1.50	15.00	15.00	15.00	15.00

KIT Part Details										
Part #	Part Name	Quantity	Unit Price	Kit Price	Kit Weight	Kit Volume	Kit Length	Kit Width	Kit Height	Kit Volume
1003249995	Electrical - 2500 with Inverter Kit	1	1,200.00	1,200.00	15.00	1.50	15.00	15.00	15.00	15.00

KIT Battery Charge/Status										
Part #	Part Name	Quantity	Unit Price	Kit Price	Kit Weight	Kit Volume	Kit Length	Kit Width	Kit Height	Kit Volume
1003249995	Electrical - 2500 with Inverter Kit	1	1,200.00	1,200.00	15.00	1.50	15.00	15.00	15.00	15.00

KIT Inverter Charge/Status										
Part #	Part Name	Quantity	Unit Price	Kit Price	Kit Weight	Kit Volume	Kit Length	Kit Width	Kit Height	Kit Volume
1003249995	Electrical - 2500 with Inverter Kit	1	1,200.00	1,200.00	15.00	1.50	15.00	15.00	15.00	15.00

KIT Kit Details										
Part #	Part Name	Quantity	Unit Price	Kit Price	Kit Weight	Kit Volume	Kit Length	Kit Width	Kit Height	Kit Volume
1003249995	Electrical - 2500 with Inverter Kit	1	1,200.00	1,200.00	15.00	1.50	15.00	15.00	15.00	15.00

Solar Energy Systems



When placing an order please contact your sales representative to review your order to ensure the proper system has been identified for your vehicle application.

Availability of the products shown in this catalog is subject to change without notice by Bergstrom, Inc. For the most current product information please visit the Bergstrom Distributor website at <https://parts.shop.bergstrominc.com/>.

**Warranty**  
• 5-year limited warranty





# UVC Air Filter Systems

UVC Air Filter Underseat System	536
UVC Air Filter Service Parts	537

UVC Air Filter Systems



When placing an order please contact your sales representative to review your order to ensure the proper system has been identified for your vehicle application.

Availability of the products shown in this reference guide is subject to change without notice by Bergstrom, Inc. For the most current product information please visit the Bergstrom Distributor website at <https://shop.bergstrominc.com/>.

**NAME**  
**UVC AIR FILTER UNDERSEAT SYSTEM**

**DESCRIPTION**  
 UVC Air Filter Systems



**Features**

- Long life (10,000 hours - approx. 5 years at 40 hours a week at 52 weeks each year.
- Anit-vibration: no fragile tubes.
- Does not give off any ozone gasses.
- Environmentally friendly without toxic mercury or mercury compliance concerns.
- Instant on, no warm up time.
- Thermal pullback to help protect high ambient temperature (max 65°C).
- Indicator light.

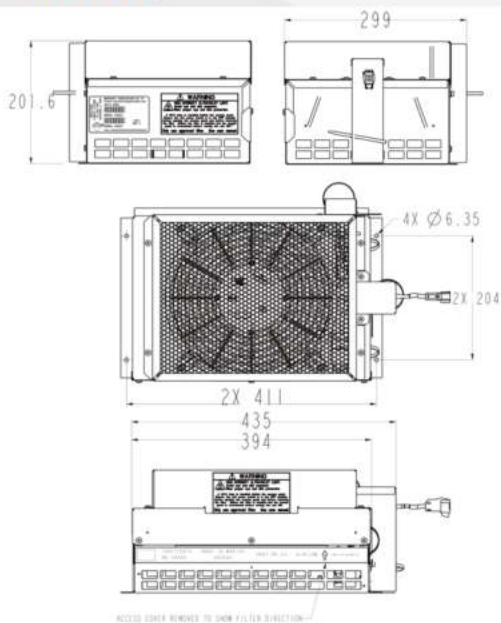
**Benifits**

- Neutralizes pathogeons in the air on the first pass through the system.
- Continuous filtration recirculates clean air and helps prevent settling on surfaces.

**Suggested Applications**



**Line Drawing**



**Underseat Technical Specifications**

Model	Dash
Voltage	12V
Amps	7 A/h
Maximum air flow	250 CFM (424.8 m³/hr)
Dimensions (W x H x D)	15.51 in. x 11.77 in. x 7.94 in. 394 mm x 299 mm x 201.6 mm
Weight	13.7 lb (6,2 kg)
Mounting Position	Underseat
Part Number	<b>1003088137</b>



	<p>NAME <b>UVC AIR FILTER SERVICE PARTS</b></p>	<p>VOLTS</p>	<p>DESCRIPTION <b>UVC Air Filter System</b></p>
--	---	--------------	---

**Part No: 1002775910**



UVC Air Filter Replacement

**Part No: 1003091375**



UVC Air Filter Installation Kit, IC Bus

**Part No: 1003097759**



UVC Air Filter Installation Kit, Blue Bird and Thomas Bus

UVC Air Filter Systems



When placing an order please contact your sales representative to review your order to ensure the proper system has been identified for your vehicle application.

Availability of the products shown in this catalog is subject to change without notice by Bergstrom, Inc. For the most current product information please visit the Bergstrom Distributor website at <https://parts.shop.bergstrominc.com/>.

**Warranty**  
• 3-year limited warranty





# RV Systems

RV Combo Heater/ac System - front	540
RV Combo Heater/AC System - Jayco	541
RV Combo Heater/ac System - Thor	542
RV Service Parts	543

RV Systems



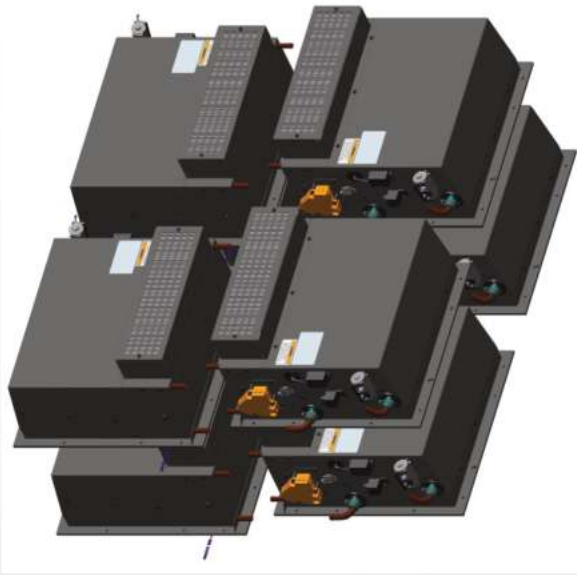
When placing an order please contact your sales representative to review your order to ensure the proper system has been identified for your vehicle application.

Availability of the products shown in this reference guide is subject to change without notice by Bergstrom, Inc. For the most current product information please visit the Bergstrom Distributor website at <https://shop.bergstrominc.com/>.

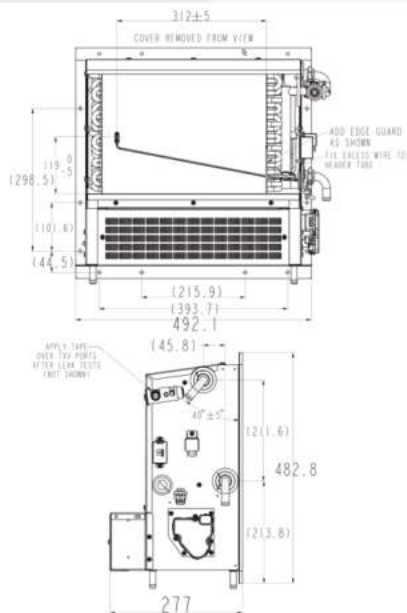


**NAME**  
**RV COMBO HEATER/  
 AC SYSTEM - FRONT**

**DESCRIPTION**  
 RV Systems



**Line Drawing**



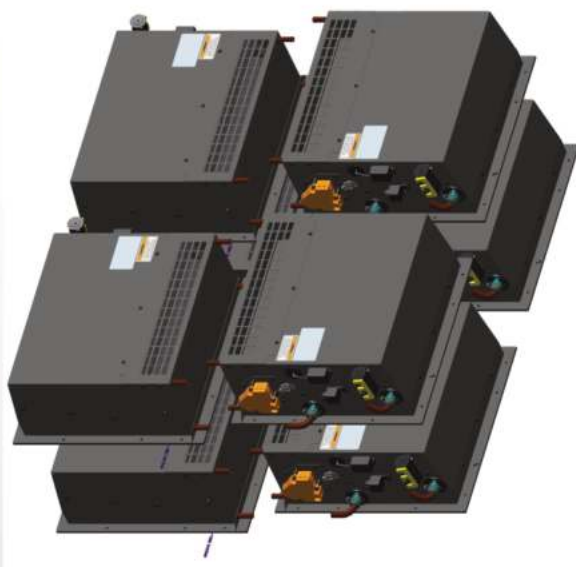
**Combo Heater/AC - Front Specifications**

Model	Combo Heater/AC - Front
Voltage	12V
Dimensions (L x W x H)	19.37 in. x 10.91 in. x 19.01 in. 492.1 mm x 277 mm x 482.8 mm
Part Number	<b>1002978831</b>



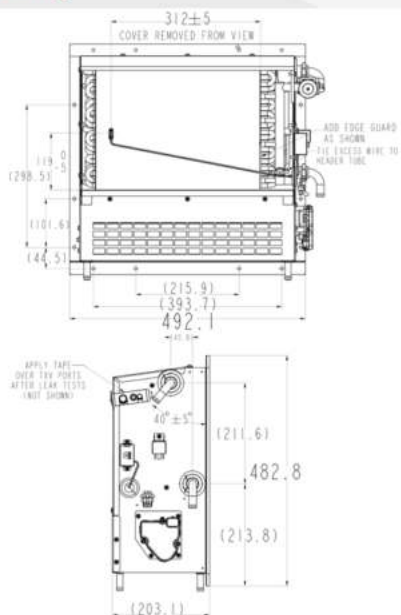
**NAME**  
**RV COMBO HEATER/  
 AC SYSTEM - JAYCO**

**DESCRIPTION**  
 RV Systems



RV Systems

**Line Drawing**



**Combo Heater/AC - Jayco Specifications**

Model	Combo Heater/AC - Jayco
Voltage	12V
Dimensions (L x W x H)	19.37 in. x 8 in. x 19 in. 492.1 mm x 203.1 mm x 482.8 mm
Part Number	1003042201



When placing an order please contact your sales representative to review your order to ensure the proper system has been identified for your vehicle application.

Availability of the products shown in this catalog is subject to change without notice by Bergstrom, Inc. For the most current product information please visit the Bergstrom Distributor website at <https://parts.shop.bergstrominc.com/>.

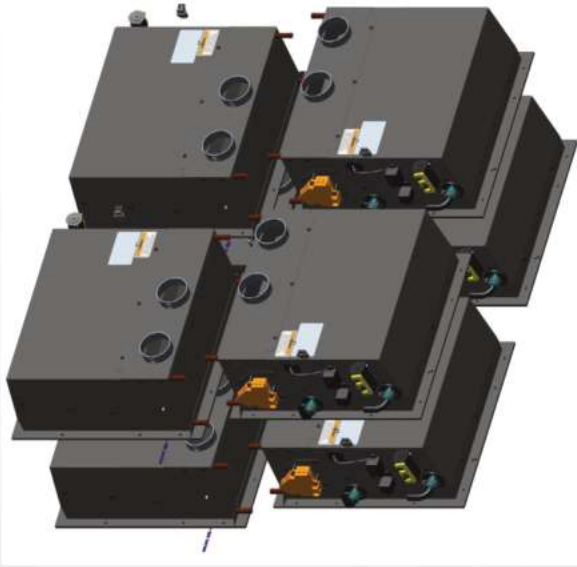
**Warranty**

- 3-year limited warranty

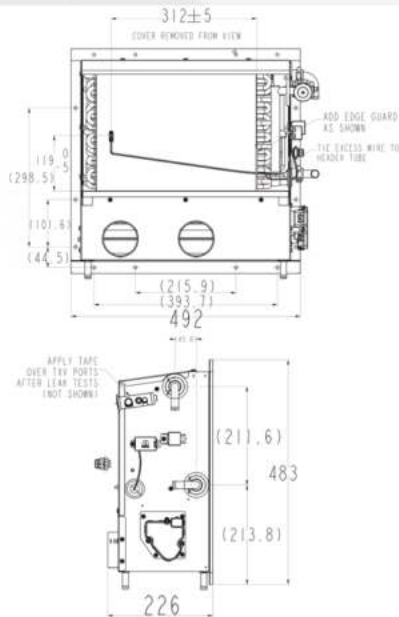


**NAME**  
**RV COMBO HEATER/  
 AC SYSTEM - THOR**

**DESCRIPTION**  
 RV Systems



**Line Drawing**



**Combo Heater/AC - Thor Specifications**

Model	Combo Heater/AC - Thor
Voltage	12V
Dimensions (L x W x H)	21.02 in. x 4.73 in. x 17.28 in. 534 mm x 120.2 mm x 439 mm
Part Number	<b>1003042954</b>



**RV SERVICE PARTS**

DESCRIPTION  
RV System

**Part No: 177-6694**



Expansion Valve Mounting Plate

**Part No: 228-9044**



Block Pad Mount Expansion Valve

**Part No: 540047**



Bushing Adaptor

**Part No: 580052**



90 Degree Tube Fitting

**Part No: 1000205222M**



Evaporator Coil

**Part No: 1000207116**



O-Ring, 5/8"

**Part No: 1000207784**



O-Ring, 1/2"

**Part No: 1000237524M**



Heater Coil

**Part No: 1000788813**



TXV Plate Clamp

**Part No: 1001165320**



Thermostat Switch, 12V

**Part No: 1002825944**



Air Filter Cover

**Part No: 1002825947**



Blower Resistor

**Part No: 1002831763**



Pleated Air Filter

**Part No: 1002852474**



RV Front Micro Channel Condenser Coil

**Part No: 1002852532**



Sheet Metal Support Bracket

RV Systems

NAME	RV SERVICE PARTS	VOLTS	DESCRIPTION
			RV Systems

**Part No: 1002852843**



RV Front Axial Condenser Fan

**Part No: 1002852967**



Condenser Mounting Weldment Assembly

**Part No: 1002857123**



PAG 100-H Synthetic Lubricant, HFO-1234yf 4oz.

**Part No: 1002857435**



Refrigerant Suction Line Hose Assembly, Hose No. 14

**Part No: 1002860337**



Recirculation Air Filter

**Part No: 1002861534**



Plastic Return Air Grill

**Part No: 1002861543**



Plastic Y Connector

**Part No: 1002861959**




Plastic Round HOse Adaptor 1140

**Part No: 1002861991**




Plastic Round HOse Adaptor 1141

**Part No: 1002868531**




Refrigerant Liquid Line Hose Assembly, Hose No. 6

**Part No: 1002868532**



Refrigerant Liquid Line Hose Assembly, Hose No. 6

**Part No: 1002868533**



Refrigeration Discharge Line Hose Assembly, Hose No. 10

**Part No: 1002906584**



20/30 amp Relay, 12V

**Part No: 1002945877**



Single Zone Wire Harness

**Part No: 1002974690**



Button Plug





**RV SERVICE PARTS**

DESCRIPTION  
RV System

**Part No: 1002978832**



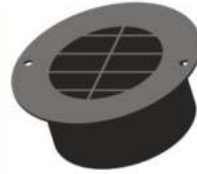
Mode Box Pressurizer Assembly

**Part No: 1002978833**



RV Front Condenser Assembly (8 in box)

**Part No: 1002979027**



Plastic Round Louver

**Part No: 1002988642**



Nylon Spacer

**Part No: 1002988645**



Refrigerant Hose Assembly, 48"

**Part No: 1002988657**



Refrigerant Hose Assembly, 72"

**Part No: 1003008096**



Air Hose, 2.5" ID

**Part No: 1003008097**



Air Hose, 3" ID

**Part No: 1003008324**



Permanent Magnet Motor with Flange, 12V

**Part No: 1003019830**



Louver Adapter

**Part No: 1003026646**



Inlet Cover

**Part No: 1003028193**



Louver Assembly

**Part No: 1003042949**



Inlet Cover

**Part No: 1003045413**



Louver, 4"

**Part No: 1003045414**



Hose Adapter, 2 1/2"

RV Systems

NAME	VOLTS	DESCRIPTION
 <b>RV SERVICE PARTS</b>		RV Systems

**Part No: 1003053578**




Refrigerant E-Series Suction Line Hose Assembly, Hose No. 14

**Part No: 1003053579**



Refrigerant E-Series Discharge Line Hose Assembly, Hose No. 8

**Part No: 1003053580**



Refrigerant E-Series Liquid Line Hose Assembly, Hose No. 8

**Part No: 1003065486**



RV Plastic Injection Mold Grill

**Part No: 1003066541**



Plastic Hose Adapter, 2 1/2"

**Part No: 1003067086**




Plastic Defrost Plenum

**Part No: 1003067127**



Plastic Defrost Grill

**Part No: 1003073568**



Refrigerant Suction Line Hose Assembly, Hose NO. 14

**Part No: 1003078402**



Y Connector and Gasket Assembly

**Part No: 1003088871**



JAYCO HVAC Kit (18 in box)

**Part No: 1003128116**



RV Condenser Assembly (8 in box)

**Part No: 1003223051**




Refrigerant Suction Line Diesel Pusher Hose Assembly

**Part No: 1003223052**




Refrigerant Liquid Line Evaporator to Dryer Hose Assembly

**Part No: 1003223053**



Refrigerant Liquid Line Condenser to Dryer Hose Assembly

**Part No: 1003223054**



Refrigerant Liquid Line Hose Assembly, M18 Dryer



*Air Conditioning & Heating  
Replacement Parts*

# REFERENCE

# 5

# PARTNUMBERCROSS

## Part Number Cross Reference

<b>Part # - Superceded to:</b>	<b>548</b>	<b>Kenworth</b>	<b>582</b>
<b>Airpro</b>	<b>552</b>	<b>Kysor</b>	<b>583</b>
<b>Airsource - MEI</b>	<b>552</b>	<b>Mack</b>	<b>598</b>
<b>Autocar</b>	<b>557</b>	<b>Modine</b>	<b>599</b>
<b>Behr Hella</b>	<b>557</b>	<b>Motorcraft</b>	<b>599</b>
<b>Behr of America</b>	<b>558</b>	<b>Motor Products</b>	<b>599</b>
<b>Blue bird</b>	<b>558</b>	<b>Murray</b>	<b>600</b>
<b>Carrier</b>	<b>559</b>	<b>Ogura</b>	<b>600</b>
<b>Caterpillar</b>	<b>559</b>	<b>Omega</b>	<b>600</b>
<b>Chevy/GMC</b>	<b>559</b>	<b>Oshkosh</b>	<b>604</b>
<b>Climate Control INC.</b>	<b>559</b>	<b>Parker</b>	<b>604</b>
<b>Climatech</b>	<b>559</b>	<b>Peterbilt</b>	<b>605</b>
<b>DCM</b>	<b>564</b>	<b>Pitts</b>	<b>605</b>
<b>Eaton</b>	<b>564</b>	<b>Que</b>	<b>605</b>
<b>Euclid</b>	<b>564</b>	<b>Red Dot Aftermarket</b>	<b>605</b>
<b>Evans</b>	<b>565</b>	<b>Red Dot Factory</b>	<b>609</b>
<b>Everco</b>	<b>565</b>	<b>Sanden</b>	<b>613</b>
<b>Everco HD</b>	<b>566</b>	<b>Seltec</b>	<b>614</b>
<b>Fasco</b>	<b>566</b>	<b>Siemens</b>	<b>614</b>
<b>Fleetrite</b>	<b>566</b>	<b>Thomas Built Bus</b>	<b>614</b>
<b>Ford</b>	<b>571</b>	<b>Transair</b>	<b>615</b>
<b>Four Seasons</b>	<b>572</b>	<b>TRP</b>	<b>615</b>
<b>Freightliner Alliance</b>	<b>573</b>	<b>Truck Air</b>	<b>618</b>
<b>Freightliner OE</b>	<b>577</b>	<b>UAC</b>	<b>622</b>
<b>Gillig</b>	<b>579</b>	<b>Uptime Parts</b>	<b>623</b>
<b>IC Corp</b>	<b>580</b>	<b>Valeo</b>	<b>623</b>
<b>ICE</b>	<b>580</b>	<b>Volvo</b>	<b>623</b>
<b>International</b>	<b>580</b>	<b>Warner</b>	<b>626</b>
		<b>Western Star</b>	<b>626</b>

Call: 800.499.6849 for Technical Assistance

547

Availability of the products shown in this reference guide is subject to change without notice by Bergstrom, Inc.  
For the most current product information please visit the Bergstrom Distributor website at <https://shop.bergstrominc.com/>.

5

PART NUMBER CROSS

## Part # - Superceded to:

PART # - SUPERCEDED TO:		PART # - SUPERCEDED TO:		PART # - SUPERCEDED TO:	
Previous Part Number	New Bergstrom Number	Previous Part Number	New Bergstrom Number	Previous Part Number	New Bergstrom Number
013359	1001443376	220300	B220300	526463	1000532111
108327	108612	221181	B221181	526489	1000145387
108332	869223	221711	B222166	526491	526482
108428	108428M	223139	1000345640	529906	525901
108436	108483M	223140	1000925735	530277	1000046148
108437	108482M	223142	652541	530356	1000860818
108482	108482M	243074	1000876272	530617	1000841164
108500	1000635554	244082	1000875789	530804	1000875777
151328	151328M	274344	1000132208	530813	1000532147
160005	1000699302	274444	1000356768	530814	1000532206
160034	1000617180	360811	550253	530815	1000532211
160049	1000699304	402044	1000223277	530816	1000532215
160061	1000699305	402188	1000139299	530846	1000046149
160085	160198	402242	1001479521	530946	1000531021
160089	1000699312	402250	1001479504	530948	1000531390
160097	1000617101	402529	540059	530949	1000531455
160101	1000617101	402752	1001478804	530951	1000531458
160105	1000699320	402814	1001452029	530952	1000531902
160123	1000625091	402915	1000139242	530954	1000531951
160136	1000699318	404330	540209	530955	1000532111
160138	1000624642	404338	1000250288	530957	1000532147
160147	1000699317	405056	550284	530958	1000532206
160148	1000699306	405057	550394	530959	1000532211
160153	1000625364	407437	1000201343	530961	1000532215
160199	1000039661	407469	1000530615	540021	1001443384
173209	1000346059	407478	1000530681	540027	1001443777
173210	1000346874	407480	1000530647	540039	B173153
173232	1000346164	407485	1000530630	540044	1001443774
173235	869595	407487	1000530645	540057	1000293538
202220	1000132208	500135	E525076	540058	B404292
203070	203090	510034	B260816	540061	540127C
203085	205840	510048	B260680	540075	1001478801
203097	890063	510049	B260640	540078	540078C
203166	203255	510115	563500	540082	1000348350
203172	B275140	511400	1000943151	540087	1001478801
203173	B275141	525457	530757	540106	B402496
203174	203249	525676	1000531021	540107	540107C
203178	203249	525678	1000531390	540109	540094
203195	B275141	525681	1000531455	540111	540111C
203239	1000142451	525682	1000531458	540152	1001478794
203247	B275241	525683	1000531902	540153	1001479521
203293	203156	525691	1000223285	540157	1000373395
203341	1000255724	525692	1000223285	540174	540293
203344	1000356768	525936	1000531951	540233	540062
203346	1000169966	525985	525985C	540234	1001451908
203347	890099	525995	1000042346	540239	1001451908
203357	756737	526047	1001256654	540245	526024C
203369	1000321333	526064	1000004842	540252	1001478797
203374	1000170295	526348	525899	540264	1000299874
203389	203142	526405	1000331105	540274	013359
203393	1000132642	526434	526461	540446	1000308676
203397	1000044188	526436	526435	540452	1001450396
203425	1000132197	526444	1000139585	549707	1000293541

**Part # - Superceded to:**

**5**

**PART NUMBER CROSS**

PART # - SUPERCEDED TO:		PART # - SUPERCEDED TO:		PART # - SUPERCEDED TO:	
Previous Part Number	New Bergstrom Number	Previous Part Number	New Bergstrom Number	Previous Part Number	New Bergstrom Number
549708	1000293542	868192	1001487642	1000039641	1000883432
560145	1002080211	868242	1001487644	1000039645	1001249691
560146	1002080684	868293	1001487643	1000039647	1001249691
560147	1002080687	868414	1000451925	1000039663	1000699320
560148	1002080699	868442	870118-S	1000039695	1001450425
560226	1001260070	868505	1000406312	1000039696	1001450363
560227	1002300971	868514	1000409989	1000039742	1000145382
560228	1002300976	868521	1001181161	1000043495	1000135092
560252	1002290824	868708	1000346836	1000048831	1001551461
576270	1001489790	868784	1001487645	1000051716	1000611575
582940	1000300919	869062	1001487646	1000056505	1000139472
589500	1001443391	869162	1000235880	1000058658	1000378282
640059	1002003336	869188	1000373395	1000067349	1000250287
650205	1002044722	869247	1001487647	1000100467	1001884257
650254	650254-S	869261	1000712039	1000123882	1000168713
650412	1000593043	869339	1001443803	1000132237	1000431925
650453	650627	869482	1000513101	1000133568	1000635554
650564	650117	869594	1000373392	1000134482	1000841699
650595	B404122	869808	1000348343	1000136418	1000136418M
650596	B404121	869948	1002921593	1000145299	1001458299
650601	1000250288	870118	870118-S	1000146165	1001616296
650608	650086	870331	870331-S	1000159324	1000841164
650625	1000593040	870419	1001487648	1000164286	1000555432
650626	650790	870444	1001487640	1000168707	1000427320
650632	B404144	871211	1001487649	1000168708	1000431925
650634	650633	871211	1001883505	1000182073	1000321333
650643	B221005	871288	871288-S	1000192486	1002921593
650665	650731	890039	1000224265	1000193383	1001487641
650694	1000593044	1717016	1000619405	1000195061	1000293121
650697	1000198478	1814003	1000617672	1000197321	1001489683
650711	1000593041	1999015	1001479516	1000197327	1001439657
650719	B404123	2299101	1000250290	1000198369	1000346774
650890	650254-S	2660033	1000022610	1000206407	1000593045
650964	B221503	4475047	1000044640	1000206424	1000593042
651026	650944	8202334	519703	1000206510	1000206510
651185	1000755681	100120076	1002300976	1000207167	1000593047
651235	650179	100346876	1002895726	1000213247	1001534189
651257	1000611575	1000004691	1000631209	1000213248	1000222438
651259	1000593043	1000005980	1000141608	1000213249	1001443769
651261	1000593044	1000007614	1000184211	1000213255	540018
651271	1000593045	1000011728	1001932834	1000213299	540266
651273	1000593047	1000022467	1000021516	1000214702	1000293121
651291	1000593048	1000025396	1000197772	1000221653	1002895726
651313	1001401792	1000025693	1001639549	1000224398	1001826308
651322	1001401792	1000025694	1001639551	1000225307	1001016645
651580	B221670	1000025695	1001639552	1000226915	1000812369
652578	1000198469	1000025696	1001639553	1000226961	1000812426
740147	1002949575	1000028709	1000259980	1000228585	1000227147
756610	756610C	1000028710	1000259981	1000230506	1000493450
863040	1001487642	1000028772	1001487640	1000230787	1001330466
863050	1001487643	1000036696	1000699298	1000230789	1001330451
866860	1000346064	1000038623	1000063838	1000234563	1001016645
867901	1000346073	1000038953	1000171472	1000236685	1000416160



800.499.6849 • shop.bergstrominc.com

5

PART NUMBER CROSS

## Part # - Superceded to:

PART # - SUPERCEDED TO:		PART # - SUPERCEDED TO:		PART # - SUPERCEDED TO:	
Previous Part Number	New Bergstrom Number	Previous Part Number	New Bergstrom Number	Previous Part Number	New Bergstrom Number
1000236954	1000555432	1000524645	1000872711	540127C	1001450631
1000242407	1000860818	1000558630	1001487655	540237C	1001452318
1000250289	1002044722	1000570119	1001826308	540300C	1001452030
1000259980	1001452027	1000580122	1001029579	540322C	1001450396
1000259981	1001452028	1000612674	1001443794	540433C	1001450408
1000259984	1001452021	1000680925	1000947181	540456C	1001452332
1000265543	1000416160	1000681978	1000948225	756728C	1000202059
1000277442	1001478811	1000713234	1000872650	756743C	1000202056
1000278262	1000712039	1000812369	1001450661	756744C	1000202057
1000278269	1002921593	1000880644	1001429553	756745C	1000202058
1000293538	1001443771	1000881046	1001053396	868521-S	1001181161
1000293540	1001443774	1000881780	1002090588	B172147	1000346073
1000295041	1001306141	1000960589	1001330470	B173048	1000488420
1000296731	1001487640	1000962905	1002287239	B173093	1000348325
1000298973	1001450645	1001013625	1001429553	B173096	1000346064
1000299873	1001443777	1001020908	1002942477	B173112	1000373641
1000299874	1001443787	1001026303	1001826308	B173119	1000373395
1000300919	1001443791	1001049888	1002942477	B173133	1000373395
1000303406	1000207216	1001054992	1002921593	B173144	1000348350
1000305344	1002044722	1001070398	1002089977	B173145	1000347338
1000305687	1000626834	1001178614	1002493457-S	B173146	1000347338
1000308676	1001443793	1001188180	1001345354	B173156	1000373961
1000311715	1002044722	1001260070	1001260070	B173165	1000399625
1000319900	1000571136	1001260075	1002300971	B203773	1002106854
1000327204	1001590157	1001264221	1002292110	B203841	1002106852
1000331231	1001450427	1001267266	1002893213	B203845	1002106849
1000336571	1001487641	1001330147	1001826308	B220635	650657
1000342468	1001826308	1001400139	1001410931	B221030	B222013
1000342544	1001029579	1001449647	1001404629	B221755	1000927678
1000348693	1000948098	1001450426	1001860902	B222375	650179
1000354983	1000235880	1001564143	1002290824	B222591	1000948088
1000360348	1001487642	1001564303	1002287262	B242119	1000875793
1000360349	1001487644	1001590157	1001342458	B243028	1000925201
1000364261	1000626834	1001592507	1002493785	B243029	1000875779
1000364263	1001345260	1002709075	1003008277	B243057	1000875801
1000364265	1000624642	1213070000	1000724685	B243074	1000876272
1000365530	1000369918	10002336795	1002966740	B243131	1000875788
1000368102	1001487643	160007000M	1000734305	B265381	1001220529
1000368103	1001487645	203046C	1001266966	B265530	1001142371
1000368104	1001487646	205780S	205780	B274281	1000182193
1000368105	1001487647	521-C028	1001449683	B275211	B275266
1000368108	1001487648	525761C	1001451954	B354122	570140
1000368109	1001487649	525985C	1001451959	B360786	585520
1000382431	1000947181	526333C	1001450636	B360815	E525076
1000382694	1000841699	540071C	1001450357	B380041	573260
1000385968	1000947181	540072C	1001450393	B402527	1001452040
1000386342	1001826308	540073C	1001450386	B402533	1002106141
1000386862	1001029579	540077C	1001450363	B402779	1001429706
1000420274	1001826308	540078C	1001451454	B402815	1002089977
1000473781	1001439657	540091C	1001450297	B402838	525723
1000505040	1000948225	540096C	1001451771	B402843	1000223277
1000515005	1001494889	540102C	1001451952	B402843	1001256654
1000518711	1000872650	540103C	1001451776	B402872	540072C

550



800.499.6849 • shop.bergstrominc.com

## Part # - Superseded to:

This listing shows parts that are similar in physical interchangeability and function. Cross reference lists should not be used as application guides. Please refer to the proper listing in the applications section for specific make and model recommendations.

PART # - SUPERCEDED TO:	
Previous Part Number	New Bergstrom Number
B402915	1000139242
B403276	1002300977
B403277	1002301587
B403278	1002301589
B404081	1000948098
B404133	650649
B404161	1000948101
B404193	650593
B404240	650511
B404242	650117
B404264	589500
B404273	540217
B404274	1000948102
B404291	540035
B405024	1001356228
B405430	1002106849
B405431	1002106852
B405433	1002106854
B405666	550182
B405940	550388
B407199	580099
B407400	526426
B409054	550414
B411285	1000153941
B411366	B411271
B411369	1001616296

PART # - SUPERCEDED TO:	
Previous Part Number	New Bergstrom Number
B411496	1000409989
B411496	1000472099
B411520	1000431722
B417122	B407367
B417266	1000373392
B514185	1000365536
B515400	515400
B516499	1000365536
BSP00001CONHAR	1001404667
BSP00001CONPAN	1001157329
BSP00001DRAINKIT	1000988616
BSP00001PANELKIT	1001004175
BSP00002CONHAR	1001397464
BSP00002CONPAN	1001165354
BSP00002DRAINKIT	1000988618
BSP00002PANELKIT	1001004181
BSP00003MOUNTKIT	1001013646
BSP00003PANELKIT	1001015619
BSP00004MOUNTKIT	1001015620
BSP00004PANELKIT	1001161239
BSP00005COND12	1001590157
BSP00005CONHAR	1001381981
BSP00005CONPAN	1001229640
BSP00005MOUNTKIT	1001015622
BSP00005PANELKIT	1001004144
BSP00006CONHAR	1001404710

PART # - SUPERCEDED TO:	
Previous Part Number	New Bergstrom Number
BSP00006CONPAN	1001229584
BSP00006CONTROL	1001166439
BSP00006MOUNTKIT	1001013603
BSP00006PANELKIT	1001161278
BSP00007CONPAN	1001159300
BSP00008CONPAN	1001327197
BSP00013Heat12	1000813400
BSP00013Heat24	1000814235
BSP00014HVAC12	1000813036
BSP00014HVAC24	1000813038
BSP0001THERM12V-E	1000541645
BSP00025AC12	1000812940
BSP00025AC24	1000814236
BSP00026AC12	1000813037
E540004	B404292
F37-6000C	1001452327
F37-6001	1000259983
F37-6002	1000259984
KA810-12	1000812940
KA810-24	1000814236
KA840-12	1000813037
KC750-12	1001590157
KH810-12	1000813400
KH810-24	1000814235
KK840-12	1000813036
KK840-24	1000813038

PART NUMBER CROSS



800.499.6849 • shop.bergstrominc.com

**5**

**PART NUMBER CROSS**

**Airsource - MEI**

This listing shows parts that are similar in physical interchangeability and function. Cross reference lists should not be used as application guides. Please refer to the proper listing in the applications section for specific make and model recommendations.

AIRPRO	
Airpro Number	Bergstrom Number
275102	<b>B275102</b>
20-10068	<b>525693</b>
20-4516	<b>525774</b>
20-4627	<b>525723</b>
20-4647	<b>525693</b>
20-4666	<b>526495</b>
20-9663	<b>1000870952</b>
220-211	<b>1000335581</b>
25-502409	<b>650487</b>
31-3002-MOI	<b>1000622970</b>
31-3003	<b>1002106141</b>
50-3020	<b>650878</b>
51-5623	<b>650870</b>
51-6003	<b>651154</b>
51-6004	<b>650954</b>
53-2011	<b>651459</b>
53-2047	<b>651069</b>
71R6090	<b>650594</b>
71R6220	<b>651332</b>
71R7650	<b>650627</b>
80-3212	<b>B312000</b>
80-3312	<b>B315000</b>
95-6916	<b>530477</b>
RD-73R6381	<b>510035</b>

AIRSOURCE - MEI	
Airsource Number	Bergstrom Number
0011	<b>570120</b>
0011	<b>580123</b>
0012	<b>580113</b>
0013	<b>564700</b>
0013	<b>580124</b>
0015	<b>572770</b>
0017	<b>580114</b>
0110	<b>580089</b>
0112	<b>580091</b>
0112	<b>580092</b>
0124	<b>1002508371</b>
0126	<b>1000039205</b>
0127	<b>1000039326</b>
0128	<b>1000039333</b>
0130	<b>1000039445</b>
0131	<b>1000039471</b>
0136	<b>1002487273</b>
0137	<b>1002487275</b>
0138	<b>1000417503</b>
0139	<b>1000417507</b>
0140	<b>1000039492</b>
0141	<b>1000039483</b>
0142	<b>1002508370</b>
0199	<b>525674</b>

AIRSOURCE - MEI	
Airsource Number	Bergstrom Number
1020	<b>B221005</b>
1028	<b>B222013</b>
1044	<b>650644</b>
1050	<b>650438</b>
1055	<b>B221503</b>
1056	<b>652090</b>
1060	<b>650645</b>
1080	<b>650607</b>
1081	<b>650606</b>
1082	<b>650871</b>
1104	<b>570500</b>
1106	<b>B220891</b>
1108	<b>534100</b>
1118	<b>650622</b>
1144	<b>650465</b>
1150	<b>650657</b>
1150	<b>B222975</b>
1151	<b>650657</b>
1155	<b>B220300</b>
1155	<b>B221181</b>
1160	<b>B220743</b>
1165	<b>650086</b>
1167	<b>650088</b>
1200	<b>650477</b>
1214	<b>651980</b>
1220	<b>650441</b>
1221	<b>650177</b>
1223	<b>1000206429</b>
1223	<b>1001520651</b>
1224	<b>650475</b>
1227	<b>651203</b>
1229	<b>650823</b>
1230	<b>650790</b>
1230	<b>B220990</b>
1233	<b>650179</b>
1238	<b>651013</b>
1241	<b>650471</b>
1242	<b>652100</b>
1243	<b>651186</b>
1250	<b>652420</b>
1251	<b>B222166</b>
1252	<b>650731</b>
1252	<b>651459</b>
1266	<b>651011</b>
1267	<b>1000925735</b>
1271	<b>B380076</b>
1272	<b>573260</b>
1273	<b>B380061</b>
1275	<b>B380032</b>
1276	<b>B380088</b>
1281	<b>B380053</b>
1286	<b>525026</b>
1288	<b>552500</b>
1293	<b>B222973</b>

AIRSOURCE - MEI	
Airsource Number	Bergstrom Number
1310	<b>1000335581</b>
1315	<b>650511</b>
1318	<b>B404075</b>
1327	<b>650149</b>
1327	<b>B404019</b>
1328	<b>650149</b>
1331	<b>650476</b>
1331	<b>650878</b>
1333	<b>1000021516</b>
1333	<b>650195</b>
1333	<b>1000340317</b>
1336	<b>B404028</b>
1340	<b>525335</b>
1340	<b>589490</b>
1342	<b>1001884257</b>
1342	<b>650163</b>
1343	<b>650117</b>
1347	<b>1000039701</b>
1348	<b>650649</b>
1359	<b>1000039702</b>
1373	<b>1000250288</b>
1374	<b>1000250287</b>
1375	<b>1001513275</b>
1400	<b>651184</b>
1416	<b>650661</b>
1423	<b>B404093</b>
1426	<b>650629</b>
1430	<b>B404097</b>
1434	<b>B404220</b>
1439	<b>651323</b>
1440	<b>B404277</b>
1441	<b>B404279</b>
1442	<b>B404283</b>
1443	<b>B404284</b>
1445	<b>1000948102</b>
1446	<b>B404276</b>
1450	<b>1000948101</b>
1450	<b>B404144</b>
1454	<b>650944</b>
1468	<b>B404122</b>
1470	<b>650436</b>
1472	<b>1000198478</b>
1473	<b>651187</b>
1474	<b>B404121</b>
1476	<b>B404123</b>
1477	<b>650203</b>
1482	<b>650594</b>
1486	<b>650593</b>
1491	<b>1000948098</b>
1493	<b>1002044722</b>
1499	<b>651332</b>
1510	<b>650448</b>
1512	<b>650869</b>
1513	<b>650870</b>





# Airsource - MEI

5

PART NUMBER CROSS

This listing shows parts that are similar in physical interchangeability and function. Cross reference lists should not be used as application guides. Please refer to the proper listing in the applications section for specific make and model recommendations.

AIRSOURCE - MEI		AIRSOURCE - MEI		AIRSOURCE - MEI	
Airsource Number	Bergstrom Number	Airsource Number	Bergstrom Number	Airsource Number	Bergstrom Number
1514	1000345640	1652	540266	2378	1000593045
1515	1000246795	1653	540268	2379	1000206510
1519	1000198469	1654	540018	2380	1000593047
1520	1000477653	1655	650199	2382	1000039630
1521	1000555432	1655	650254-S	2383	1000593044
1558	650668	1656	540267	2384	1000593040
1560	650633	1662	540364	2385	1000755681
1565	650627	1664	1001445635	2389	1000477176
1582	1001401792	1667	1000293541	2398	1000406312
1583	650882	1667	1000378282	2399	870084
1600	1001443791	1668	1000293542	2401	540310
1600	1000300919	1672	1000477644	2403	540309
1601	1001449683	1672	1000477674	2407	1000593048
1602	1001443384	1674	551131	2426	540308
1602	1001465094	1678	1001448066	2428	540085
1602	1001465631	1684	1001276615	2430	869187
1602	540293	1688	1001443769	2455	869281
1604	589500	1690	1000227147	2456	540294
1606	1001443384	1691	1000352807	2532	525615
1606	1001465094	1692	1000355817	2536	525614
1606	1001465631	1694	1001398381	2537	1000875789
1606	1001468090	1705	B170145	2601	B405429
1607	1001468089	1706	B360157	2610	550972
1608	540035	1707	B360448	2611	869193
1609	1001443774	1708	B360289	2622	525984
1611	1001443771	1728	808810	2637	B330379
1611	1000293538	1729	588060	2650	B330155
1612	1001443803	1731	585520	2655	B330369
1614	1001443376	1733	530006	3003	B275265
1614	013359	1737	550404	3012	B275266
1615	1000039683	1748	B360224	3034	203132
1618	1000039685	1811	1000555333	3044	1000142451
1618	540383	2010	650954	3044	890050
1619	540454	2010	651154	3054	B274284
1620	1001443777	2011	591540	3070	203255
1620	1001443780	2017	591510	3102	1001266966
1621	1000021106	2018	589910	3130	203168
1622	1000122061	2104	869619	3130	B275165
1622	1000207213	2105	869621	3131	B275165
1622	1000477612	2105	B173131	3145	1001582686
1625	1001465619	2106	869310	3152	1001587278
1625	1001489790	2214	1000348350	3182	203061
1625	B404292	2223	B173090	3182	205780
1626	1001443807	2238	B173089	3183	203235
1632	1000039681	2239	540023	3231	203090
1634	1001404629	2240	1000347338	3231	B275181
1639	1001443787	2242	540024	3236	B275256
1639	1000299874	2256	1000712039	3238	203212
1642	1001445648	2355	1000712039	3240	B275202
1644	1001443793	2370	1000593043	3242	B275156
1644	1000308676	2375	869595	3248	203268
1648	1001443802	2376	869856	3251	203356
1650	525712	2377	1000593042	3267	203284
1651	540265	2377	890071	3322	203335



800.499.6849 • shop.bergstrominc.com

## 5

## PART NUMBER CROSS

## Airsource - MEI

This listing shows parts that are similar in physical interchangeability and function. Cross reference lists should not be used as application guides. Please refer to the proper listing in the applications section for specific make and model recommendations.

AIRSOURCE - MEI		AIRSOURCE - MEI		AIRSOURCE - MEI	
Airsource Number	Bergstrom Number	Airsource Number	Bergstrom Number	Airsource Number	Bergstrom Number
3322	205853	3782	B275232	5285	1000164653
3341	203249	3785	203092	5287	1000165210
3341	B275140	3806	540700	5287	526372
3342	B275141	3808	508300	5288	1000969524
3368	B275130	3810	B265600	5288	526367
3373	B275241	3811	587380	5290	526395
3385	203179	3812	572980	5290	1000164828
3385	B275102	3853	869350	5291	526396
3389	B275152	3856	869852	5291	1000164831
3393	203336	3862	1000202059	5295	526378
3402	203133	3907	869158	5300	1001256639
3454	B275240	3914	1000039644	5305	1001256654
3458	1000255724	3915	1000427320	5305	1001322640
3458	203020	3916	1000954752	5312	1001256651
3459	203066	3921	1000171472	5313	1001322225
3466	201930	3922	203213	5323	526482
3468	1000132197	3924	868790	5328	525989
3468	1000132208	3925	203156	5329	525993
3468	1000182193	3931	1000356768	5330	525992
3468	202270	3933	203211	5331	1000042346
3470	203067	3936	868013	5332	526506
3470	B275190	3937	203076	5333	526435
3471	1000044188	3940	1000477193	5334	526461
3471	203088	3941	1000477197	5339	1000039652
3473	1000046148	3942	890063	5349	526066
3475	1000169966	3944	890067	5361	526397
3475	202520	3945	203139	5362	1000052427
3479	1001487645	3946	203142	5362	1000139472
3502	205840	3946	203364	5363	526441
3530	500170	3952	203212	5366	1000052431
3552	1000132642	3955	1001276674	5367	526497
3552	201520	3956	203115	5380	525989
3552	203020	3964	869701	5383	1000139553
3560	1002479301	3965	203113	5385	1002026901
3562	1002478731	3967	203368	5385	526488
3602	203342	3968	890099	5387	1001932834
3605	B265605	3972	203361	5387	1000145387
3606	575080	4326	550367	5391	1001255095
3622	B260816	4388	550966	5393	1000451085
3631	B260640	4397	550938	5393	526445
3650	529800	4478	550414	5395	1001249691
3670	510046	4815	580125	5396	1000039646
3675	510035	4817	580210	5397	1000600468
3679	510026	4846	550342	5398	1000872650
3685	510014	5031	650487	5400	1000141284
3691	510026	5032	650547	5400	1000872619
3715	B260680	5128	1000139299	5402	1000141363
3741	510027	5144	1000139242	5403	1000322061
3761	203186	5201	540389	5404	1000381584
3762	869445	5202	540388	5404	1000872633
3763	203186	5256	525742	5405	1001400136
3772	589540	5282	526374	5406	1002396857
3774	563500	5282	1000165249	5406	1000141423
3775	510061	5285	526368	5409	1001250650

# Airsource - MEI

5

PART NUMBER CROSS

This listing shows parts that are similar in physical interchangeability and function. Cross reference lists should not be used as application guides. Please refer to the proper listing in the applications section for specific make and model recommendations.

AIRSOURCE - MEI		AIRSOURCE - MEI		AIRSOURCE - MEI	
Airsource Number	Bergstrom Number	Airsource Number	Bergstrom Number	Airsource Number	Bergstrom Number
5512	540209	6222	1000699318	7129	B402496
5518	540217	6228	1000699306	7130	540107C
5519	540225	6229	1000699305	7132	1001451454
5520	540226	6275	1000699320	7132	540078C
5533	550252	6283	1000617180	7133	1001450357
5533	550253	6288	160198	7134	1001452318
5534	550252	6289	1000625364	7135	1001450297
5553	580552	6297	1000039661	7141	540111C
5554	580108	6319	1001188179	7143	1002614241
5555	550394	6320	1001345354	7145	1001478811
5557	550284	6331	1000699298	7145	1002447375
5559	550388	6345	1001345260	7152	540104
5560	550386	6358	1000305593	7154	B402565
5563	540373	6360	1000305690	7155	1001451908
5574	B360874	6371	1000626834	7156	540059
5575	551112	6372	1001493206	7159	1001452029
5578	580106	6395	1001345364	7160	1001450363
5579	550399	6565	151100	7161	1001478794
5580	550401	6581	151356	7164	1001479504
5587	550393	6601	151328M	7166	1001451776
5588	550392	6602	151321M	7168	1001450386
5633	B416113	6609	151346	7169	1001450393
5702	525698	6632	108291	7169	540072C
5705	526437	6633	151338	7174	1001452030
5707	525997	6665	869224	7174	526024C
5707	526495	6679	1000213241	7175	540094
5710	1000537625	6679	1000213242	7193	1001451952
5711	525917	6683	1000477479	7197	1001450408
5724	B402827	6684	1000475399	7197	540433C
5725	526051	6689	1001489683	7198	1001450396
5726	1000139585	6696	1000431925	7229	1002106141
5727	525723	6836	110640M	7230	1001450631
5727	526498	6840	108240	7230	540127C
5735	525899	6877	108245	7232	1001452040
5748	1000870952	6886	108263M	7233	1001453097
5752	B402842	6891	108250	7243	1001479516
5763	525858	6896	110470	7385	526110
5764	525693	6897	108289M	7387	1000007893
5770	526487	6936	1000039688	7387	1001451771
5771	1000165306	6942	1000039686	7388	540060
5771	526357	6946	869223	7389	540062
5775	525774	6948	108409	7391	1001453456
5791	525968	6960	1000477648	7393	1000259983
5805	525979	6964	1000207046M	7393	1001452327
5811	525856	6965	108612	7395	1001429706
5877	525858	6966	1000168713	7397	1001452021
5880	1001384786	6967	1001275789	7397	1000259984
5880	526408	7118	1001478801	7398	1001452027
6055	1000699302	7118	B402562	7398	1000259980
6066	1000699317	7122	1000554489	7399	1001452028
6127	1000699304	7123	1000622970	7399	1000259981
6191	1000699312	7125	1001478804	7400	1001452358
6202	1000625091	7126	1001479521	7408	1001451959
6220	1000617101	7129	1001452033	7408	525985C



800.499.6849 • shop.bergstrominc.com

**5**

**PART NUMBER CROSS**

**Airsource - MEI**

This listing shows parts that are similar in physical interchangeability and function. Cross reference lists should not be used as application guides. Please refer to the proper listing in the applications section for specific make and model recommendations.

AIRSOURCE - MEI	
Airsource Number	Bergstrom Number
7409	1001451954
7411	1002460531
7412	1001053396
7413	1002090588
7415	1001450636
7415	526333C
7416	1000477649
7417	1001450645
7421	1001450661
7421	1000812369
7422	1000812426
7480	1002089977
7502	1001452332
7541	1001264912
7542	1001452361
7549	1001264936
7549	1001452336
7555	1001453765
7559	1001450425
7559	1000039695
7560	1001453429
7562	B402618
7585	1001860902
7585	1000298975
7586	1001450427
7954	1000201343
7955	1000841699
7956	1001272970
7957	534510
7958	525460
7963	B407387
7965	1000206466
7965	1000207216
7972	525838
7973	525784
7975	1000039637
7977	526407
7979	1000883432
7983	1000220149
7986	525403
7987	525543
7988	530633
7989	525249
7990	520217
7994	B407176
7996	525507
7997	1000841164
7998	1000331105
8206	1000531458
8207	1000531455
8208	1000531902
8248	B11373
8256	530477
8506	550307

AIRSOURCE - MEI	
Airsource Number	Bergstrom Number
8508	550308
8510	550309
8512	550310
8520	B311000
8521	B312000
8523	B315000
8530	B360312
8531	B360208
8532	B173070
8570	1002080687
8572	1002080699
8576	1002080211
8578	1002080684
8606	1002300977
8608	1002301587
8610	1002301589
8615	1001260070
8616	1002300971
8617	1002300976
8617	1001260076
8734	530674
8781	580099
8805	525860
8807	1000531951
8914	550508
8915	550403
8916	551354
8919	550402
8925	550397
8926	550398
8927	550385
8931	530612
8974	1002431328
8989	869893
8990	570140
8993	1002431343
8995	1002430992
9954	525459
13901	1000624505
16100	1000617672
16101	1000463486
16106	1000534258
51416	1001410931
54018	1001321603
54028	1000449225
54046	1001322595
54083	1000141434
54093	1001321790
54099	1001321949
54148	1001889690
54384	1000873181
54405	1001202145
54510	1000223285
54546	1000004842

AIRSOURCE - MEI	
Airsource Number	Bergstrom Number
54577	1001889661
54577	1001889674
54667	526495
54720	1001202155
54762	525901
54803	1002411890
58112	1001374173
10-3010	B330308
0134B	600121
1224P	1000283836
1243A	1001272236
1250B	651150
1273A	B380060
1283A	890077
1291A	650459
1352A	1001272224
19-1001	591520
3568MP	1001216759
3571MP	1001216705
3571MP	1002479122
4120EZ	530384
4121EZ	530385
4122EZ	530386
4123EZ	530387
4124EZ	530380
4125EZ	530381
4126EZ	530382
4127EZ	530383
4301EZ	550704
4331EZ	550703
4350S	550992
4351S	550993
4380EZ	550771
4381EZ	550774
4381S	B409015
4389EZ	550769
4389S	B409013
4390EZ	550772
4391EZ	550773
4391S	B409014
4392EZ	550775
4393EZ	550783
4395EZ	550784
4395S	B409094
4398EZ	550776
4399EZ	550778
4400S	B409041
4401EZ	550781
4402EZ	550663
4402S	B409022
4403EZ	550665
4403S	B409023
4404EZ	550667
4405EZ	550669



This listing shows parts that are similar in physical interchangeability and function. Cross reference lists should not be used as application guides. Please refer to the proper listing in the applications section for specific make and model recommendations.

**AIRSOURCE - MEI**

Airsource Number	Bergstrom Number
4405S	<b>B409025</b>
4406EZ	<b>550676</b>
4407EZ	<b>550678</b>
4407S	<b>B409009</b>
4408EZ	<b>550681</b>
4409EZ	<b>550683</b>
4410EZ	<b>550684</b>
4410S	<b>B409000</b>
4411S	<b>B409001</b>
4412EZ	<b>550688</b>
4413EZ	<b>550691</b>
4413S	<b>B409003</b>
4414S	<b>B409091</b>
4415EZ	<b>550777</b>
4417EZ	<b>550677</b>
4418EZ	<b>550679</b>
4419EZ	<b>550682</b>
4423EZ	<b>550779</b>
4425S	<b>B409047</b>
4428EZ	<b>550664</b>
4429EZ	<b>550666</b>
4429S	<b>B409027</b>
4430EZ	<b>550668</b>
4430S	<b>B409028</b>
4431S	<b>B409077</b>
4435EZ	<b>550685</b>
4436EZ	<b>550687</b>
4437EZ	<b>550689</b>
4438S	<b>B409076</b>
4441S	<b>B409087</b>
4445EZ	<b>551213</b>
4446EZ	<b>551267</b>
4449EZ	<b>551201</b>
4457S	<b>B409045</b>
4458S	<b>B409046</b>
4467EZ	<b>550733</b>
4468EZ	<b>550734</b>
4470S	<b>B409086</b>
4472S	<b>B409097</b>
4474EZ	<b>550715</b>
4475EZ	<b>550716</b>
4476EZ	<b>550717</b>
4478EZ	<b>550727</b>
4479EZ	<b>550728</b>
4479S	<b>B409055</b>
4480EZ	<b>550729</b>
4481EZ	<b>550731</b>
4481S	<b>B409057</b>
4486EZ	<b>550738</b>
4492S	<b>550979</b>
4494EZ	<b>551178</b>
4495EZ	<b>550724</b>
4496EZ	<b>550725</b>
4497EZ	<b>550726</b>

**AIRSOURCE - MEI**

Airsource Number	Bergstrom Number
4502EZ	<b>550671</b>
4503EZ	<b>550672</b>
4504EZ	<b>550673</b>
4505EZ	<b>550674</b>
4510EZ	<b>550692</b>
4511EZ	<b>550693</b>
4511S	<b>B409016</b>
4512EZ	<b>550695</b>
4512S	<b>B409017</b>
4513EZ	<b>550696</b>
4517EZ	<b>550675</b>
4534EZ	<b>550786</b>
4535EZ	<b>550787</b>
4536EZ	<b>550788</b>
4537EZ	<b>550789</b>
4538EZ	<b>550791</b>
4539EZ	<b>550792</b>
4540EZ	<b>550793</b>
4541EZ	<b>550736</b>
4542EZ	<b>550737</b>
4543EZ	<b>550697</b>
4550EZ	<b>550694</b>
4578EZ	<b>550718</b>
4579EZ	<b>550719</b>
4580EZ	<b>550722</b>
4581EZ	<b>550723</b>
4582EZ	<b>550721</b>
4670EZ	<b>551167</b>
4672EZ	<b>551168</b>
4674EZ	<b>551171</b>
4676EZ	<b>551172</b>
4909S	<b>1001338301</b>
4910S	<b>1001338564</b>
5285E	<b>1001202157</b>
5333S	<b>1000145382</b>
5362S	<b>1000194450</b>
5365S	<b>1000141300</b>
5366S	<b>1000141380</b>
5385S	<b>1000872711</b>
5387S	<b>1000873174</b>
5405AG	<b>1001410935</b>
5405G	<b>1001410921</b>
5592A	<b>1001356228</b>
5707S	<b>1000163318</b>
5752A	<b>1000223277</b>
5752A	<b>1001249654</b>
5880B	<b>1001202129</b>
5880BD	<b>1001202121</b>
6245A	<b>1000624642</b>
6245A	<b>1001275785</b>
7493F	<b>526112</b>
7493G	<b>526112</b>
7956M	<b>1001272970</b>
8040135P	<b>650419</b>

**AIRSOURCE - MEI**

Airsource Number	Bergstrom Number
8040136P	<b>650418</b>
8040178P	<b>650479</b>
8670A	<b>1002290824</b>
8676A	<b>1002287239</b>
8678A	<b>1002287262</b>
8760EZ	<b>530388</b>

**AUTOCAR**

Autocar Number	Bergstrom Number
300515	<b>B300515</b>
404279	<b>B404279</b>
3131923	<b>1000346064</b>
3134241	<b>650179</b>
A8013271	<b>B275165</b>
A8013292	<b>B360400</b>
AUT176432	<b>B275152</b>
AUT3916157	<b>1000202059</b>
S6103916657	<b>1000300919</b>
UCB02910033432	<b>540059</b>
UCB02910033439	<b>B173142</b>
UCB05960393102	<b>B173148</b>
UCB10909763	<b>B173090</b>
UCB10910436941	<b>B360769</b>
UCB27529913	<b>B275141</b>
UCB28930359	<b>B360715</b>
UCB28930362	<b>B509185</b>

**BEHR HELLA**

Behr Hella Number	Bergstrom Number
351029181	<b>651013</b>
351029781	<b>651186</b>
351034121	<b>203268</b>
351034171	<b>203356</b>
351034181	<b>890067</b>
351034211	<b>868790</b>
351034221	<b>869701</b>
351034251	<b>203368</b>
351044321	<b>1001276674</b>
351044621	<b>1000954752</b>
351080341	<b>651184</b>
351080391	<b>1000039701</b>
351080441	<b>1000477653</b>
351186591	<b>1001272970</b>
351192461	<b>1000477649</b>
351209551	<b>551131</b>
351234441	<b>1000477612</b>
351234451	<b>1000477644</b>
351234591	<b>1001276615</b>
351239781	<b>1000039681</b>



800.499.6849 • shop.bergstrominc.com

**5**

**PART NUMBER CROSS**

**Blue bird**

This listing shows parts that are similar in physical interchangeability and function. Cross reference lists should not be used as application guides. Please refer to the proper listing in the applications section for specific make and model recommendations.

BEHR HELLA	
Behr Hella Number	Bergstrom Number
351279261	1000841164
351279271	1000883432
351279301	1000331105
351279321	526407
351285021	540383
351285031	540454
351285041	1000021106
351313581	1000039686
351313661	1000039688
351318231	1000039661
351318251	1000699304
351318261	1000699305
351318271	1000699312
351318291	1000699317
351318511	1000624642
351319141	1000477193
351319151	1000477197
351319651	1001275785
351321621	1000555432
351329751	869856
351329771	869595
351331071	1000475399
351332331	890099
351332391	1001272236
351333111	108409
351333121	1000477648
351333141	1001275789
351336151	1000122061
351336231	1000477674
351336271	1000477479
351341031	1000477176
351344061	1001272224
87430B	B222973

BEHR OF AMERICA	
Behr of America Number	Bergstrom Number
632005.00	650179
13419850	1000122061
98950200	1000122061
2BB19957	1000699306
3101011TC	1000699304
3101211TC	1000699305
3101311TC	1000699312
A1722	1000477674
BHT73002	1000039661
BOA 91592	1001272236
BOA 91619	1000039701
BOA 93675	1000039688
BOA 96398	1000477644
BOAA1722	1000477644
BOAA4297	1001272224

BEHR OF AMERICA	
Behr of America Number	Bergstrom Number
BOA A4931	1000122061
BOA D8587	203368
BOA M9104001	1000039686
BOA N9535001	1000039681
BOA P7577001	1000477479
BOA-80-101-00-229	869856
BOA-80-101-00-359	869595
BOA-80-136-00-039	B173131
BOA-80-305-00-939	551131
BOA-80-305-00-949	540364
BOA-80-319-00-189	1000841164
BOA-80-321-00-049	1001443794
BOA-80-321-00-209	1001443376
BOA-80-321-00-259	1000039683
BOA-80-321-00-269	540383
BOA-80-414-00-179	203268
BOA-80-415-00-769	203356
BOA-80-415-00-789	890067
BOA-80-415-00-879	890099
BOA-80-612-02-109	651186
BOA-80-908-00-259	650471
BOA-80-908-00-329	651184
BOA-80-926-00-059	650657
BOA-80-926-00-059	890072
BOA-80-926-00-079	650823
BOA-80-926-00-219	651013
BOA-80-941-00-063	B404144
BOA-80-945-00-079	650731
BOA-80-946-00-079	650195
BOA-80-946-00-109	650511
BOA-85-440-50-009	868790
BOA-85-462-50-009	869701
BOA-85-471-77-009	108409
E0995	1000021106
E8617	1000477193
E8904	1000477176
E8905	1000477653
HA2106	1000883432
HA4965	540454
HE3650	1000331105
HR0442001	1000475399
I91595	526407
L5977	1000555432
M7930-100	1000624642
N6528001	1000477649
N8154001	1000477612
R1058001	1000477644
R1066001	1000477648
S2817001	1000477197
U2100001	1000954752
U2117001	1001275789
V5778001	1001276615

BLUE BIRD	
Blue Bird Number	Bergstrom Number
00012387	B380099
00015303	B404145
0015318	1001443791
0015318	540035
0015318	1000300919
00016333	B222987
00017537	1000948102
00017538	B404279
00031148	869703
00031531	B380102
00033722	589540
00035861	205840
00035862	525222
00035863	525776
00035868	650179
00035881	108336
00035882	525801
00035883	1000046148
00035908	526426
00035911	B330393
00035914	B280406
00037786	B360934
00037788	B222975
00038850	869485
00056086	108428M
00063495	890071
0063509	1001443384
00063509	540293
00063511	650163
00063516	B22166
00064092	526354
00070762	108482M
00070764	108483M
00070770	526403
00070771	526404
00084864	540059
00090180	E525076
00090190	589490
00090191	1000593042
00090192	652420
00090194	B360924
00090194	1002598077
00090195	519703
00090196	B173070
00090197	650254-S
00091765	570140
00104121	203088
00114540	203020
00116944	871288-S
0159723	1000132642
0228072	1000255724
0228080	203342
0651844	B173153
0666719	756698



This listing shows parts that are similar in physical interchangeability and function. Cross reference lists should not be used as application guides. Please refer to the proper listing in the applications section for specific make and model recommendations.

BLUE BIRD	
Blue Bird Number	Bergstrom Number
0864579	<b>B200308</b>
01251065	<b>560235</b>
01438126	<b>510119</b>
01438480	<b>1000169966</b>
01525856	<b>B380053</b>
1567288	<b>B260031</b>
01799024	<b>B280406</b>
01915438	<b>530747</b>
02004307	<b>572980</b>
02130656	<b>1000356768</b>
04316238	<b>B275140</b>
04316246	<b>B275190</b>
04316295	<b>B220990</b>
04316329	<b>B509185</b>
04316519	<b>B311000</b>
04316543	<b>B260570</b>
04316717	<b>B312000</b>
04316741	<b>B360585</b>
04316774	<b>B203819</b>
04316790	<b>B290247</b>
04320925	<b>650657</b>
04759765	<b>586970</b>
08303091	<b>B360833</b>
08303158	<b>B380096</b>
08303182	<b>1001616296</b>
08303232	<b>B380007</b>
08304602	<b>B260171</b>
08304610	<b>B275152</b>
08304636	<b>B260170</b>
08307266	<b>B300242</b>
08307365	<b>B360867</b>
10006651	<b>1000136032</b>
10006937	<b>1000135581</b>
10006939	<b>1000136418M</b>
10006941	<b>1000137119</b>
10013870	<b>1000321333</b>
10016426	<b>1000033591</b>
10020349	<b>525458</b>
10020990	<b>530757</b>
10024862	<b>1000264808</b>
10024863	<b>1000283926</b>
10025116	<b>525459</b>
10026722	<b>1000235880</b>
10030325	<b>572980</b>
10033362	<b>1001487645</b>
10034148	<b>1001487646</b>
10035131	<b>1001487644</b>
10038245	<b>1000431722</b>
100013871	<b>1002486423</b>
04-00202	<b>1001452361</b>
28-51601	<b>B380088</b>
575080BB	<b>575080</b>

CARRIER	
Carrier Number	Bergstrom Number
212012	<b>1001452359</b>
10-00286-01	<b>651150</b>
10-00286-03	<b>651150</b>
101-301	<b>540104</b>
113-033	<b>B380088</b>
14-00288-00	<b>1001264912</b>
18-00093-09	<b>525979</b>
18-00093-13	<b>526368</b>
18-10123-04	<b>526408</b>
18-10123-08	<b>1001384786</b>
18-10123-09	<b>1001202129</b>
201-305	<b>650657</b>
201-804	<b>B222166</b>
221-711	<b>B222166</b>
54-00577-00	<b>1001582686</b>
54-00577-01	<b>1001582686</b>
54-00577-02	<b>1001587278</b>
54-00618-00	<b>1002477045</b>
54-00621-00	<b>1001582686</b>
54-00621-02	<b>1001587278</b>
65-00193-00	<b>1001452358</b>
65-62004	<b>1001453083</b>
AC301-901	<b>B360208</b>
AC401-110	<b>1002477045</b>
ADK304	<b>1001452336</b>

CATERPILLAR	
Caterpillar Number	Bergstrom Number
3E-1906	<b>1001255095</b>
3E-3535	<b>1002447375</b>

CHEVY/GMC	
Chevy/GMC Number	Bergstrom Number
303196	<b>205780</b>
1618951	<b>651459</b>
1626239	<b>651459</b>
2098912	<b>651459</b>
3028652	<b>205780</b>
3031336	<b>B404144</b>
3031409	<b>B404144</b>
3031995	<b>205780</b>
3033879	<b>525712</b>
3033919	<b>525712</b>
3034845	<b>205780</b>
3041336	<b>B404144</b>
3041409	<b>B404144</b>
3041596	<b>B404144</b>
3096068	<b>540268</b>

CHEVY/GMC	
Chevy/GMC Number	Bergstrom Number
4961626	<b>205780</b>
15038500	<b>1000537625</b>
15956082	<b>526437</b>
19189419	<b>651069</b>
22020945	<b>203156</b>
22029905	<b>203156</b>
22048572	<b>203156</b>
25520198	<b>651459</b>
25530733	<b>651069</b>
52466358	<b>650661</b>
52474373	<b>1000039471</b>
52477087	<b>1000039445</b>
88892742	<b>1000537625</b>

CLIMATE CONTROL INC.	
Climate Control, Inc. Number	Bergstrom Number
022-21936	<b>550424</b>
022-25103	<b>550394</b>
022-25104	<b>550398</b>
024-21590	<b>1000139242</b>
024-21942	<b>650487</b>
024-25247	<b>1000139299</b>
024-25412	<b>650547</b>
ET210L-25150	<b>525742</b>
QP4285	<b>1000873174</b>
QP4286	<b>1000872711</b>
QP4326	<b>1000381584</b>
QP4326	<b>1000872633</b>
QP4347	<b>1000141284</b>
QP4347	<b>1000872619</b>
QP4384	<b>1000873181</b>
QP4475	<b>525992</b>
QP4672	<b>1000870952</b>
QP4802S	<b>1000872650</b>

CLIMATECH	
Climatech Number	Bergstrom Number
4305	<b>1000202059</b>
4475	<b>510026</b>
4491	<b>510027</b>
4883	<b>508300</b>
275166	<b>1000841164</b>
275256	<b>1000103887</b>
360867	<b>203156</b>
404161	<b>203090</b>
404270	<b>890063</b>
404274	<b>203235</b>



5

PART NUMBER CROSS

# Climatech

This listing shows parts that are similar in physical interchangeability and function. Cross reference lists should not be used as application guides. Please refer to the proper listing in the applications section for specific make and model recommendations.

CLIMATECH		CLIMATECH		CLIMATECH	
Climatech Number	Bergstrom Number	Climatech Number	Bergstrom Number	Climatech Number	Bergstrom Number
404279	203249	1000346164BSM	1000352807	275241KYS	1000883432
407294	203299	1000346874BSM	1000365536	280354BSM	1000331105
514100	550242	1000348325BSM	1000371883	290247BSM	203168
525968	B260640	1000348343BSM	1000373395	3475069BSM	1000255724
650622	650731	1000348350BSM	1000373961	3S011458	1000234569
650656	651011	1000348812BSM	1000390653	3X011018	540127C
651580	550404	1000352807BSM	1000400456	3X011171	1000236701
870118	557110	1000355817BSM	1000426128	4314S	529800
1000012572	1000021997	1000365536BSM	1000431722	4420SAN	510014
1000201343	1000230792	1000373395BSM	1000439603	4434SAN	500170
1000381584	538700	1000373961BSM	1000451925	4482SAN	B260090
1000007617BSM	1000007617	1000390653BSM	1000463486	4485SAN	572980
1000007618BSM	1000007618	1000426128BSM	1001494889	4493SAN	756698
1000021997BSM	1000042067	1000431722BSM	1000530645	4516SAN	B260680
1000044640BSM	1000174286	1000439603BSM	1000533723	4618SAN	575080
1000046148BSM	1000183201	1000451925BSM	1000534258	4643SAN	510035
1000046149BSM	1000184211	1000463486BSM	1000555333	4652SAN	756610C
1000049325BSM	1000192444	1000493450BSM	1000564554	4666SAN	B260816
1000122061BSM	1000207213	1000515005BSM	B407161	4672SAN	B300242
1000134018BSM	1000211175	1000530645BSM	1000579313	4739SAN	756360C
1000146165BSM	454634	1000533723BSM	1000749149	4822SAN	507700
1000163931BSM	1000214467	1000534258BSM	1001551461	4864SAN	575030
1000168452BSM	1000214510	1000555333BSM	1000860818	4866-6340	B208413
1000174251BSM	1000230085	1000564554BSM	1000925194	4890SAN	756600
1000174286BSM	1000230381	1000611575BSM	1001276274	4893SAN	B265600
1000174302BSM	B402533	1000619405BSM	540060	4895SAN	756720C
1000183201BSM	1000230491	1000624505BSM	1001439657	500105BSM	550309
1000184211BSM	1000230502	1000860729BSM	454587	500198BSM	B315000
1000207213BSM	1000236388	1000860818BSM	151385	518930BSM	550993
1000207781BSM	1000236697	1001202121BSM	444700	520513BSM	540062
1000211175BSM	B275102	1001264912BSM	B275166	525222BSM	540373
1000224619BSM	1000247777	1001275456BSM	B275232	525588BSM	551146
1000227147BSM	1000255856	1001275466BSM	540111C	531019BSM	572770
1000230085BSM	1000258346	1001276274BSM	B275241	540057BSM	540102C
1000230502BSM	1000258348	1001401792BSM	B280354	560101BSM	650642
1000230729BSM	1000258379	1001439657BSM	B290227	55013317	B404279
1000230792BSM	1001203448	1001443378BSM	B417262	55013817	1000235954
1000233458BSM	1001203449	1001443575BSM	B360401	55013997	1000236036
1000234569BSM	1001203446	1001447917BSM	B360867	55014010	1000236644
1000235371BSM	1000259751	1001461145BSM	454635	5X010083	1000236731
1000235954BSM	1000270409	1001487640BSM	1000948102	5X012834	1001275398
1000236036BSM	1000270699	108293BSM	514100	600115BSM	650870
1000236773BSM	B402496	108347BSM	1001478794	600187BSM	650633
1000247777BSM	1000278423	108433BSM	525222	600283BSM	650448
1000247778BSM	1000278426	151338BSM	560246	622290BSM	650649
1000255856BSM	1002493785	170145BSM	552500	630001BSM	650149
1000259751BSM	1000309203	173090BSM	660430	630049BSM	650878
1000270409BSM	1000309829	18-04345	1000236773	650436BSM	1000039701
1000285448BSM	1001479521	1975003BSM	890050	650446BSM	1000285448
1000295771BSM	1000342540	1E4582	110180	650465BSM	1000220144
1000309203BSM	1000346064	203090BSM	630049	650697BSM	1000230739
1000309205BSM	1000346164	203235BSM	1000198469	651225BSM	1000299874
1000309829BSM	1000346874	203819KYS	B416759	651264BSM	540383
1000346064BSM	1000348812	275232KYS	1000039640	651383BSM	1000021106





This listing shows parts that are similar in physical interchangeability and function. Cross reference lists should not be used as application guides. Please refer to the proper listing in the applications section for specific make and model recommendations.

CLIMATECH		CLIMATECH		CLIMATECH	
Climatech Number	Bergstrom Number	Climatech Number	Bergstrom Number	Climatech Number	Bergstrom Number
652541BSM	540018	B290012	526407	BB1460	585150
652542BSM	540265	B300222BSM	B274284	BC1000	651069
652578BSM	1000230729	B300642BSM	540072C	BC1020	650645
660706BSM	540268	B316000BSM	203213	BD1035	1000925735
660707BSM	540267	B330155BSM	201320	BD1055	650117
670136BSM	540372	B360224BSM	871218	BD1075	540175
670137BSM	540371	B360312BSM	B402562	BD1080	651186
868649BSM	B402565	B360924BSM	202520	BD1105	650823
870331BSM	B380032	B360924BSM	540122C	BD1290	1000170295
890077BSM	B380076	B404028BSM	203113	BD1335	B404089
AA1040	B400189	B417227BSM	203234	BD1340	650203
AA1045	B360924	B944184	203342	BD1405	1000044188
AA1055	B404028	BA1000	B360782	BD1420	868013
AA1145	203132	BA1005	1000039683	BD1430	530637
AA1150	B275141	BA1040	577830	BD1490	1000041921
AA1300	869701	BA1060	650476	BD1490	1001452031
AA1305	1000342648	BA1065	B380061	BD1530	B404019
AB2135	B220300	BA1080	1000039685	BD1555	1000171688
AB2780	650438	BA1100	540235	BD1560	1000173480
AB3200	580094	BA1145	B360157	BE1000	651459
AB3235	869893	BA1180	586970	BE1035	651071
AB3400	869437	BA1205	1000039702	BSM869367	525615
AB3405	869859	BA1215	B404292	CA1000	650644
AB3420	F45-1001	BA1240	650690	CA1005	591540
AB3455	B201320	BA1325	B170195	CA1020	589910
AB3460	B404097	BA1410	650668	CA1035	B404075
AB3465	580112	BA1415	651150	CA1040	540317
AB3470	580123	BA1435	570500	CA1070	650790
AB3475	589640	BA1440	650511	CA1075	1001443376
AB3480	580087	BA1455	E525095	CA1095	589490
AB3525	650627	BA1495	B220743	CA1105	650179
AC1065	650606	BA1520	540454	CA1170	1001443384
AC1070	651237	BA1605	1001443391	CA1195	650254-S
AC1110	650419	BA1620	1000348343	CB1005	1000293540
AC1115	650471	BA1635	650195	CB1080	591520
AC1180	650479	BA1645	013359	CB1115	525712
AC1185	651184	BA1650	540131	CB1315	540035
AC1190	B220268	BA1660	651203	CB1320	1000039681
AC1195	650086	BA3075	651238	CB1330	1000699320
AC1200	650445	BA3210	650441	CB1340	540173
AC1210	650947	BB1000	868790	CD1000	1000021516
AC1215	1000345640	BB1005	652420	DB1000	B404122
AC1220	651021	BB1105	203088	DB1010	650869
AC1315	589740	BB1110	540059	DB1015	650593
AC1320	1000875777	BB1120	203067	EA1020	203284
AC1340	454642	BB1145	525335	EA1075	B354135
AC1350	1000044640	BB1375	B220893	EA1090	B360223
AC1355	1000046148	BB1386	1000348310	EA1315	580091
AC1360	1000046149	BB1390	1000283361	EA1415	B290247
AC1365	1000049325	BB1405	650477	EA1415	203356
AC1370	1000122061	BB1410	651013	EA1450	203368
AC1375	1000129493	BB1415	203066	EA1455	B203603
AC1380	1000133405	BB1420	1000132208	EA1465	B290012
B173148BSM	B416998	BB1455	572440	EA1470	1000023045



800.499.6849 • shop.bergstrominc.com

561

5

PART NUMBER CROSS

# Climatech

This listing shows parts that are similar in physical interchangeability and function. Cross reference lists should not be used as application guides. Please refer to the proper listing in the applications section for specific make and model recommendations.

CLIMATECH	
Climatech Number	Bergstrom Number
EA1475	1001616296
EA1485	1000149542
EA1490	1000163931
EC1010	551153
EC1015	580088
EC1020	1002487275
EC1025	1000039205
EC1030	1000039333
EC1035	1000039326
EC1080	B173148
F37-1022-100	B203819
F37-1022-200	454641
F37-1023	1001478804
F37-6002	1000207046
F37-6002	1000222438
F37-6010	205853
F37-6011	1000213241
F37-6011	203061
F37-6012	1000309205
F37-6016	540104
F45-1001	1000169966
F45-1002	203255
F69-6003-141	B260030
F90-6000	1000338797
F90-6001	1000341855
FA1000	551156
FA1010	551147
FA1050	160041
FA10555	1000220149
FA1075	B170145
FC1000	1000250288
FD1000	1002044722
FD1015	B275165
FD1025	203076
FD1030	530374
FD1045	869193
FD1055	651016
FD1070	890099
FD1075	203179
FD1100	540107C
FD1130	B407131
FE1000	540078C
FR1000	203233
GA1020	205620
GA1190	B275140
GB1060	540700
GB1235	650646
GB1240	B404123
GB1245	1000259984
GB1250	650629
GB1370	1000259981
GD1020	550493
GD1150	551144
GD1160	551155

CLIMATECH	
Climatech Number	Bergstrom Number
GD1170	151339
GD1190	B402618
GD1195	1000201343
GE1000	B208104
GE1145	1000348325
GE1155	570120
HA1010	651264
HA1025	530505
HA1050	652518
HA1060	650622
HA1070	650465
HA1125	525784
HA1155	525543
HA1195	652542
HA1575	1000213522
HA1585	651251
HA1595	1000207216
HA1600	1000593042
HA1605	610102
HA1640	530631
HA1705	B380060
HA1710	651383
HA1770	1001181161
HA1805	600115
HA1825	525048
HA1830	1000259980
HA1835	650436
HA1850	1000174251
HA1855	1000227147
HA1870	1001452028
HA1950	1000207781
HA1960	600283
HA1965	604204
HA1970	630001
HA1990	B380095
HA2005	660706
HA2070	660778
HA2155	525026
HA2160	660724
HA2170	651106
HA2185	652544
HA2205	1000295771
HA2210	670137
HA2230	1000224619
HA2340	660707
HA2365	756718C
HA2370	1000875801
HA2385	870236
HA2400	890067
HB1010	530506
HB1070	652541
HB1085	650656
HB1105	1000039634
HB1115	B221670

CLIMATECH	
Climatech Number	Bergstrom Number
HB1135	670136
HB1155	660827
HB1570	890077
HB1589	1000236777
HB1625	550308
HB1670	600187
HB1750	870118-S
HC1050	650661
HC1070	B300222
HC1080	B416963
HC1185	808810
HC1270	588060
HC1280	B300448
HC1310	525209
HC1325	550312
HC1335	520217
HC1350	500108
HC1385	525615
HC1395	B416965
HC1405	B409093
HC1420	869048
HC1430	550414
HC1470	580098
HC1475	550335
HC1490	B416964
HC1580	B312000
HC1590	650871
HC1595	651332
HC1600	B404144
HC1625	550322
HD1020	1000233458
HD1085	1000841644
HD1090	540364
HD1150	1001053396
HD1240	1001452021
HD1245	1002090588
HE1010	550307
HE1120	203268
HF1530	585520
HG1025	203211
HG1060	B314000
JA1045	B275266
JA1070	B360480
JA1085	580115
JA1090	580093
JA1130	203020
JA1135	B275252
JA1165	203364
JA1170	1000948101
JA1240	580119
JA1325	203186
JA1885	203212
JA1960	203336
JA2005	B401080



This listing shows parts that are similar in physical interchangeability and function. Cross reference lists should not be used as application guides. Please refer to the proper listing in the applications section for specific make and model recommendations.

CLIMATECH		CLIMATECH		CLIMATECH	
Climatech Number	Bergstrom Number	Climatech Number	Bergstrom Number	Climatech Number	Bergstrom Number
JA2015	580118	MA1685	1000493450	SR2000027	870331-S
JA2055	580121	MA1695	B380053	SR2000030	551149
JA2140	B400074	MA1705	1001275465	SR2000031	651292
JA2235	B380064	MA1730	1000134018	SR2000033	870059
JA2240	203134	MB0200-01S	1001275466	SR2000036	1000320709
JA2245	1000012572	MC1055	531019	SR2000040	1000198478
JA2255	B275202	MC1345	454725	SR2000041	650995
JB1030	564700	MC1350	454724	SR2000045	589540
JC1080	1000206325	MC1365	500169	SR2000046	540266
JC1085	580117	MC1390	454873	SR2000049	551151
JC1200	205840	MC1605	1000624303	SR2000050	1000348350
JC2145	B300442	MC1610	500105	SR2000051	560101
JC2155	B300441	MC1675	F45-1002	SR2000057	551154
JC2190	203335	MC1680	518930	SR2000059	580114
K142-537-1	540105	MC1685	525588	SR2000064	B411465
KA1095	650475	MC1690	1000168452	SR2000065	B404121
KA1490	650177	MC1695	1000169770	SR2000066	650594
LA1010	B220746	MD1015	203133	SR2000067	B221005
LC2100	1001451952	MD1085	203176	SR2000072	1000315710
LE1085	756020C	NA1030	1000293538	SR2000073	B173090
LE1145	510047	NA1040	1000206466	SR2000078	500198
LE1290	B265605	NA1090	540300C	SR2000080	1000355817
LE1620	510046	NA1290	1001489683	TG1025	202270
LE1625	571040	NA1495	1000293541	UB1120	550997
LE1690	515400	NA1501-02S	1000247778	UB1230	550996
LE1695	510061	P93CAA3100-01S	1000235371	UB1380	550453
LE4418	587380	P93CAA3100-01S	B407294	UC1300	580125
LE4603	510104	PA1275	1001461145	UC1325	580124
LE4815	510041	PA1280	1000206510	UC1390	580113
LF0122	510103	PA1565	1001487640	UE1100	650607
LF1005	869464	PA1570	1001756154	UE1205	580552
LF1055	B410965	PB1265	108294	UE1210	551152
LM1020	525047	PB1275	1001443378	UE1215	530636
LM1030	580210	PB1310	108347	UE1220	530635
LM1135	1000611575	PB1315	108293	UE1225	551161
LM11450	1000579951	PB1505	1001276276	UE1230	530638
LM1180	1000624505	PB1530	108433	VA1075	551145
MA0200-01S	540121	PB1610	1001447917	VG1085	650418
MA1025	526078	PB1650	1000134338	VH1020	B407351
MA1060	525614	RD5-8785-2	B221104	VH1050	1000948056
MA1065	1000925204	SR20000037	1001264912	VH1055	B417227
MA1140	1000039445	SR2000007	B275256	VH1065	B512388
MA1150	650459	SR20000071	1001275456	VH1080	B936213
MA1280	1000293542	SR2000009	622290	VH1085	B944184
MA1350	580089	SR2000010	1000213961	VH1090	B360224
MA1355	580092	SR2000013	540299C	VH1095	B221503
MA1465	580116	SR2000014	203236	VH1115	652090
MA1485	1000259983	SR2000015	869445	VH1120	B220891
MA1500	1000039483	SR2000016	510038	VH1125	650088
MA1505	1000039471	SR2000017	573260	VH1130	890072
MA1535	1000039492	SR2000018	651225	VH1140	652100
MA1595	530504	SR2000020	1000193499	VH1145	B221504
MA1610	1000875779	SR2000025	1000250290	VH1150	B330155
MA1670	589790	SR2000026	151338	VH1155	B316000



800.499.6849 • shop.bergstrominc.com

563

## 5

## PART NUMBER CROSS

## Euclid

This listing shows parts that are similar in physical interchangeability and function. Cross reference lists should not be used as application guides. Please refer to the proper listing in the applications section for specific make and model recommendations.

CLIMATECH	
Climatech Number	Bergstrom Number
VH1160	551148
VH1165	650616
VH1180	651187
VH1200	B221181
VH1305	650954
VH1310	201520
Z9784001	1001401792

DCM	
DCM Number	Bergstrom Number
1874	B360208
1875	B360312
1969-W-N	B360400
2323-A	B360917
2323-B	B360867
D-001-428	1000255724
D-001-441	1000046148
D-001-441	203020
D-001-441LL	203088
D001-483	1000132197
D-001-483	202270
D-001-490	1000356768
D-001-521	1000169966
D-001-582	202520
D-001-632	203336
D-001-680-24	B275266
D-001-969	1001582686
D-001-969-02	1001587278
D-001C-449BB	1000132642
R-2042-A	589540
TA00300012	1001342517
TA0150003	1000220907
TA1153002	1002477045

EATON	
Eaton Number	Bergstrom Number
329-418	540035
329-447	589500
712-035	540060
712-244	540062
712-245	1001479521
712-264	540062
712-578	540059
712-821	B402565
735-203	B404097
826-062	B404292
9533N478	589490
9533N512	650476

EUCLID	
Euclid Number	Bergstrom Number
E-801177	525723
E-801314	525917
E-801512	525742
E-802543	650487
E-802561	650547
E-803002	203132
E-803008	201520
E-803012	203335
E-803014	201520
E-803016	B274284
E-803025	203133
E-803027	202270
E-803028	203179
E-803029	B275152
E-803031	B275140
E-803034	B275266
E-803043	203212
E-803045	B275141
E-803057	203156
E-803061	203186
E-803089	203211
E-803101	1001266966
E-803102	203156
E-803117	203284
E-803122	868790
E-803127	205780
E-803128	868013
E-803129	203113
E-803129	890063
E-803465	869352
E-803469	1000202059
E-803469	869852
E-803809	B265600
E-803816	B260031
E-803820	589540
E-803824	529800
E-804003	540104
E-804019	B402496
E-804020	540107C
E-804021	540094
E-804023	540094
E-804025	540121
E-804026	540078C
E-804039	1001478794
E-804054	540072C
E-804066	540060
E-804084	540059
E-804092	540111C
E-804098	540062
E-804100	B402565
E-804101	1001479521
E-804103	651013
E-804132	1002106141
E-804136	540127C

EUCLID	
Euclid Number	Bergstrom Number
E-804142	1000622970
E-804152	B402496
E-804154	540062
E-805016	B404292
E-805026	1001443384
E-805027	589500
E-805047	525712
E-805048	540268
E-805049	540265
E-805050	540018
E-805051	540266
E-806002	869281
E-806005	540085
E-806006	869187
E-806011	540294
E-806012	540085
E-806016	540023
E-806028	869619
E-806030	B173090
E-806040	B173142
E-807000	650195
E-807001	525335
E-807003	589490
E-807004	B404089
E-807006	650649
E-807008	B404028
E-807011	589490
E-807016	650476
E-807017	B404019
E-807018	650149
E-807019	B404075
E-807034	650511
E-807035	650117
E-807038	650878
E-807100	650438
E-807103	B220743
E-807104	650607
E-807105	650606
E-807106	650657
E-807109	652090
E-807111	650644
E-807116	650645
E-807120	B221503
E-807121	650871
E-807123	B221181
E-807124	B220891
E-807129	650086
E-807200	650869
E-807200M-10	650870
E-807201	650448
E-807251	650627
E-807252	650633
E-807303	B404122
E-807326	B404144

This listing shows parts that are similar in physical interchangeability and function. Cross reference lists should not be used as application guides. Please refer to the proper listing in the applications section for specific make and model recommendations.

EUCLID	
Euclid Number	Bergstrom Number
E-807330	<b>1000948098</b>
E-807331	<b>B404122</b>
E-807335	<b>B404121</b>
E-807347	<b>B404097</b>
E-807349	<b>B404144</b>
E-807350	<b>B404123</b>
E-807351	<b>650629</b>
E-807355	<b>1000250288</b>
E-807356	<b>650944</b>
E-807509	<b>650731</b>
E-807517	<b>651150</b>
E-807533	<b>651150</b>
E-807601	<b>651203</b>
E-807602	<b>650823</b>
E-807603	<b>650177</b>
E-807604	<b>650177</b>
E-807607	<b>650179</b>
E-807608	<b>650790</b>
E-807609	<b>650441</b>
E-807610	<b>650179</b>
E-807984	<b>B380032</b>
E-807984	<b>B380076</b>
E-808036-10	<b>540209</b>
E-808041-10	<b>540217</b>
E-808051	<b>550393</b>
E-808110-8	<b>550993</b>
E-808220-6	<b>B409013</b>
E-808222-10	<b>B409041</b>
E-808230-12	<b>B409025</b>
E-808232-12	<b>B409003</b>
E-808232-6	<b>B409000</b>
E-808238-10	<b>B409017</b>
E-808238-8	<b>B409016</b>
E-808445-10	<b>540226</b>
E-808445-8	<b>540225</b>
E-808630-8-10	<b>B409027</b>
E-808913	<b>580108</b>
E-808919	<b>550253</b>
E-808920	<b>550252</b>
E-808921	<b>580106</b>
E-808922	<b>550403</b>
E-808923	<b>550397</b>
E-808924	<b>550398</b>
E-808925	<b>550393</b>
E-808925	<b>550401</b>
E-808926	<b>551112</b>
E-808931	<b>550394</b>
E-808932	<b>550284</b>
E-808935	<b>550386</b>
E-808941	<b>550508</b>
E-808952	<b>550392</b>
E-808990	<b>550307</b>
E-808991	<b>550308</b>
E-808992	<b>550309</b>

EUCLID	
Euclid Number	Bergstrom Number
E-808993	<b>550310</b>
E-809073	<b>570120</b>
E-809142	<b>B330369</b>
E-809150	<b>B330155</b>
E-809151	<b>869193</b>
E-809510	<b>B405429</b>
E-809652	<b>580123</b>
E-809653	<b>570120</b>
E-809654	<b>580113</b>
E-809655	<b>580124</b>
E-809656	<b>564700</b>
E-809657	<b>580125</b>
E-809658	<b>572770</b>
E-809659	<b>580210</b>
E-809660	<b>580114</b>
E-809662	<b>580089</b>
E-809663	<b>580091</b>
E-809689	<b>580092</b>
E-811104	<b>151356</b>
E-812033	<b>108240</b>
E-812034	<b>108245</b>
E-813001	<b>570140</b>
E-813070	<b>525860</b>
E-814034	<b>530477</b>
E-819150	<b>1000699302</b>

EVANS	
Evans Number	Bergstrom Number
AM80800	<b>B220743</b>
AM80805	<b>1000948098</b>
AM80806	<b>650633</b>
AM81000	<b>B404019</b>
AM81003	<b>650649</b>
AM81005	<b>525335</b>
AM81011	<b>650878</b>
AM81800	<b>B404097</b>
AM82204	<b>540104</b>
AM82209	<b>B402565</b>
AM82212	<b>540059</b>
AM82214	<b>540111C</b>
AM82216	<b>540107C</b>
AM83502	<b>B265600</b>
AM84031	<b>B260680</b>
AM84415	<b>570120</b>
AM84416	<b>580124</b>
AM84417	<b>580125</b>
AM84418	<b>580210</b>
AM84478	<b>550993</b>
AM86011	<b>B311000</b>
AM86012	<b>B312000</b>
AM86014	<b>B314000</b>

EVANS	
Evans Number	Bergstrom Number
AM86015	<b>B315000</b>
AM86021	<b>B320000</b>
AM86397	<b>202270</b>
AM86502	<b>203132</b>
AM86507	<b>203133</b>
AM86551	<b>203156</b>
AM86553	<b>201520</b>
AM86558	<b>B274284</b>
AM89803	<b>B404292</b>
HC22498	<b>869619</b>
HV033015	<b>1000875777</b>
HV30615	<b>B260640</b>
HV31147	<b>B402496</b>
HV32890	<b>1001478804</b>
HV33061	<b>650476</b>
HV33208	<b>203186</b>
HV86524	<b>203335</b>
RV011245	<b>1001453433</b>

EVERCO	
Everco Number	Bergstrom Number
900302	<b>203132</b>
900309	<b>201520</b>
900314	<b>203335</b>
900318	<b>B275266</b>
900335	<b>203179</b>
900350	<b>205780</b>
900354	<b>203212</b>
900513	<b>B265600</b>
900516	<b>B260680</b>
904346	<b>650487</b>
909230	<b>B404292</b>
909405	<b>589500</b>
909600	<b>525712</b>
913001	<b>B320000</b>
914514	<b>869281</b>
914546	<b>540294</b>
914626	<b>869619</b>
914628	<b>B173090</b>
920003	<b>540104</b>
920005	<b>540059</b>
920021	<b>540062</b>
920050	<b>B402565</b>
920053	<b>B402496</b>
920060	<b>540107C</b>
920073	<b>540121</b>
920074	<b>540111C</b>
921332	<b>550993</b>
923030	<b>651150</b>
923406	<b>570120</b>
923408	<b>580124</b>



800.499.6849 • shop.bergstrominc.com

5

PART NUMBER CROSS

## Fleetrite

This listing shows parts that are similar in physical interchangeability and function. Cross reference lists should not be used as application guides. Please refer to the proper listing in the applications section for specific make and model recommendations.

EVERCO	
Everco Number	Bergstrom Number
923410	580125
923412	580210
925450	650954
925512	B220743
925515	B221005
925516	650645
925530	650438
925560	650441
925602	525335
925610	B404089
925614	650649
925620	B404028
925625	650476
925628	650878
925634	B404019
925640	B404075
925700	1000948098
925712	B404097
925716	650633
925717	650627
925727	B404144
925728	B404123
929602	570140
929770	530477
980100	203156
980200	529800
983352	B311000
983355	B312000
983357	B314000
983359	B315000

EVERCO HD	
Everco HD Number	Bergstrom Number
901246	B404144
901261	B404028
901273	650149
901409	650878
901630	651459
932200	540268
932202	525712
932204	540265
932205	540018
935031	869619
935032	869621
936197	B402496
936514	526110
936520	526112
937167	201520
937179	203132
937408	205780
937408	B275152

EVERCO HD	
Everco HD Number	Bergstrom Number
937711	203156
961102	525742
980900	B416113
995076	551112

FASCO	
Fasco Number	Bergstrom Number
2807-406-007	202270
2807-406-048	B274284
2807-406-072	1000182193
2807-406-103	202520
2807-406-112R	1000169966
2807-508-047	201930
2807-513-074	201520
2807-513-083	203020
2807-513-107	203342
2807-513-117	203088
2807-513-163	1000255724
2809-540-002 (PSS)	203132
2809-540-036	1000039644
2809-540-039	B275140
2809-540-058	203133
2809-540-061	890050
2809-540-065	203067
2809-540-066	203066
2809-541-009	205780
2809-541-024 (BERG)	203132
2809-541-024 (BERG)	203132
2809-541-056	B275190
2809-541-094	203115
2809-541-139	203213
2809-541-145	203168
2809-541-154	203061
2809-541-168	203253
2809-541-171	203255
2809-541-226	203139
2809-550-059	B275256
2809-550-094R	203364
2809-550-113	203361
2809-551-003	205853
2809-551-020	203090
2809-551-021R	203080
2809-551-039	203134
2809-551-041	203234
2809-551-048	203235
2809-552-005	203072
2809-841-008	203212
2809-841-029 (BEHR)	868790
2819-530-016	203179
2819-540-038N	B275141
2819-540-045N	B275241

FASCO	
Fasco Number	Bergstrom Number
2819-540-049N	B275240
2819-540-052	203211
2819-540-054N	B275102
2819-550-029N	B275152
2819-550-039	B275254
2829-550-008	203142
2829-551-002	203412
2898-072-004	B411465
2898-072-020	1000046148
2898-072-021	1000046149
2898-091-014	869445
2898-091-018	869701
2898-091-024	868013
2898-091-027	890099
2898-091-028	890067
2898-092-007	B411271
2898-092-016	1000153941
2898-092-017	B411343
2898-192-002N	B411330
2899-006-090M	756737

FLEETRITE	
Fleetrite Number	Bergstrom Number
407234	B407234
FLT4347Q	1000141284
FLT4347Q	1000872619
FLTBM1699291	890063
FLTBM1699947	510027
FLTBM1699949	203113
FLTBM2602570	1000427320
FLTBM3542611	890099
FLTBM3674285	1000477197
FLTC26430IN	1000841164
ZGG1001275456	1001275456
ZGG1001275466	1001275466
ZGG1001276271	1001276271
ZGG1001276274	1001276274
ZGG1001443378	1001443378
ZGG1001447917	1001447917
ZGG11028	203335
ZGG11029	B260680
ZGG11048	650649
ZGG11066	540059
ZGG11069	650448
ZGG11077	540308
ZGG11081	540309
ZGG11082	540310
ZGG11135	540035
ZGG11246	540265
ZGG11249	540121
ZGG11270	203212

This listing shows parts that are similar in physical interchangeability and function. Cross reference lists should not be used as application guides. Please refer to the proper listing in the applications section for specific make and model recommendations.

FLEETRITE		FLEETRITE		FLEETRITE	
Fleetrite Number	Bergstrom Number	Fleetrite Number	Bergstrom Number	Fleetrite Number	Bergstrom Number
ZGG11370	525984	ZGG16344	869310	ZGG19185S	B409015
ZGG11514	580106	ZGG16405	B404220	ZGG19192S	B409086
ZGG11532	651980	ZGG16407	B260030	ZGG19194S	B409097
ZGG11574	B173131	ZGG16411	B260640	ZGG19216	869437
ZGG11599	B220743	ZGG16449	540094	ZGG19227	650869
ZGG11601	650645	ZGG16450	540062	ZGG19230	868790
ZGG11604	B220891	ZGG16520	651150	ZGG19232	1000699304
ZGG11620	B260570	ZGG16523	650438	ZGG19240	650657
ZGG11633	B265600	ZGG16596	650644	ZGG19242	1000925735
ZGG11635	201520	ZGG16601	650441	ZGG19243	650944
ZGG11642	203168	ZGG16643	650954	ZGG19244	1000699312
ZGG11752S	550992	ZGG16662	650117	ZGG19246	151356
ZGG11821	540104	ZGG16665	650790	ZGG19263	510035
ZGG11844	B404028	ZGG16684	651154	ZGG19280	650627
ZGG11845	B404292	ZGG16884	B311000	ZGG19311	650487
ZGG11929	B404019	ZGG16888	B314000	ZGG19340	1000356768
ZGG12034	525674	ZGG16971	550307	ZGG19343	203020
ZGG12111	650086	ZGG16972	550308	ZGG19348	203061
ZGG12249	B404097	ZGG16973	550309	ZGG19350	203211
ZGG12569	203179	ZGG16974	550310	ZGG19355	550401
ZGG12631	B404075	ZGG18421	540209	ZGG19409	525712
ZGG12886	B275102	ZGG18425	540217	ZGG19413	540268
ZGG13290	651203	ZGG19036	580123	ZGG19453	526112
ZGG13372	525048	ZGG19037	580124	ZGG19460	869893
ZGG13437	B402565	ZGG19038	580125	ZGG19502	570120
ZGG13448	1002106141	ZGG19039	580210	ZGG19506	564700
ZGG13468	869193	ZGG19042	525698	ZGG19510	572770
ZGG13469	550972	ZGG19045	550367	ZGG19514	580114
ZGG13472	B330379	ZGG19062	525917	ZGG19521	580089
ZGG13474	540294	ZGG19064	550403	ZGG19524	580113
ZGG13477	B405429	ZGG19065	550253	ZGG19525	580092
ZGG13486	B222013	ZGG19066	550252	ZGG19529	580091
ZGG13501	203090	ZGG19074	650088	ZGG19540	550397
ZGG13653	B380100	ZGG19077S	B409013	ZGG19541	550398
ZGG13706S	550979	ZGG19079S	B409014	ZGG19810	530635
ZGG13837	580108	ZGG19086S	B409094	ZGG19811	530636
ZGG14090	B221005	ZGG19087S	B409041	ZGG19813	530638
ZGG14263	520217	ZGG19089S	B409022	ZGG19845	650547
ZGG14462	869619	ZGG19090S	B409023	ZGG19860	B275181
ZGG14525	869281	ZGG19092S	B409025	ZGG19907Y	B380061
ZGG14700	589500	ZGG19094S	B409009	ZGG701001	203020
ZGG14811	203336	ZGG19097S	B409000	ZGG701002	203253
ZGG14854	B404144	ZGG19098S	B409001	ZGG701003	203076
ZGG14862	530637	ZGG19100S	B409003	ZGG701004	203080
ZGG15704	1000530681	ZGG19101S	B409028	ZGG701006	203115
ZGG16061	1000531951	ZGG19125S	B409016	ZGG701013	203213
ZGG16218	650594	ZGG19126S	B409017	ZGG701016	868013
ZGG16242	540266	ZGG19138	540072C	ZGG701017	890050
ZGG16244	540018	ZGG19147	1001478794	ZGG701018	1000142451
ZGG16292	650731	ZGG19158	550342	ZGG701019	203255
ZGG16314	510046	ZGG19176S	B409077	ZGG701024	890067
ZGG16335	B221181	ZGG19177S	B409027	ZGG701025	869701
ZGG16336	652100	ZGG19182S	B409076	ZGG701026	203268
ZGG16342	B173089	ZGG19184S	B409091	ZGG701043	203284



800.499.6849 • shop.bergstrominc.com

567

**5**

**PART NUMBER CROSS**

**Fleetrite**

This listing shows parts that are similar in physical interchangeability and function. Cross reference lists should not be used as application guides. Please refer to the proper listing in the applications section for specific make and model recommendations.

FLEETRITE	
Fleetrite Number	Bergstrom Number
ZGG701063	203234
ZGG701064	1000255724
ZGG701065	203342
ZGG701069	1000169966
ZGG701071	205853
ZGG701078	B275165
ZGG701083	203356
ZGG701085	869445
ZGG701087	1000132208
ZGG701088	203364
ZGG701089	B275190
ZGG701091	203142
ZGG701092	203139
ZGG701093	203368
ZGG701095	B274284
ZGG701097	B275202
ZGG701098	B275256
ZGG701100	B275240
ZGG701107	1000039644
ZGG701108	1000046149
ZGG701109	203361
ZGG701113	519714
ZGG701116	1000321333
ZGG701117	1000182193
ZGG701120	1000132197
ZGG701122	1000033591
ZGG701123	1000222438
ZGG702000	510026
ZGG702005	510061
ZGG702008	B260816
ZGG702012	510014
ZGG702015	B360917
ZGG702019	507700
ZGG702020	B260720
ZGG702021	B360867
ZGG702022	529800
ZGG703001	587380
ZGG703002	540700
ZGG703003	572980
ZGG703006	869352
ZGG703007	1000202059
ZGG703010	869852
ZGG703011	B265605
ZGG703013	1000202057
ZGG703015	756698
ZGG703016	510119
ZGG703017	756735C
ZGG703019	869350
ZGG703021	1000202056
ZGG704068	1000139242
ZGG704073	1000139299
ZGG705003	525856
ZGG705007	525693
ZGG705011	525989

FLEETRITE	
Fleetrite Number	Bergstrom Number
ZGG705014	525992
ZGG705015	525993
ZGG705016	525997
ZGG705031	525952
ZGG705044	525968
ZGG705054	525979
ZGG705063	526051
ZGG705133	526357
ZGG705138	526367
ZGG705139	526368
ZGG705142	526372
ZGG705144	526374
ZGG705148	526378
ZGG705163	525899
ZGG705168	B402827
ZGG705177	B402842
ZGG705179	525901
ZGG705180	526396
ZGG705181	526395
ZGG705182	526397
ZGG705183	526408
ZGG705196	525723
ZGG705232	526435
ZGG705236	526437
ZGG705239	526441
ZGG705249	526482
ZGG705254	526461
ZGG705255	526487
ZGG705256	526488
ZGG705265	526495
ZGG705268	526497
ZGG705269	526498
ZGG705276	526506
ZGG705286	1000039646
ZGG705289	1000039652
ZGG705291	1000042346
ZGG705293	1000052427
ZGG705294	1000052431
ZGG705314	1000139472
ZGG705321	1000139553
ZGG705322	1002026901
ZGG705323	1001932834
ZGG705325	1000139585
ZGG705352	1000141300
ZGG705353	1000141380
ZGG705355	1000141363
ZGG705356	1002396857
ZGG705356	1000141423
ZGG705357	1000141434
ZGG705360	1000322061
ZGG705366	1000145387
ZGG705367	1000145382
ZGG705369	1000163318
ZGG705371	1000164653

FLEETRITE	
Fleetrite Number	Bergstrom Number
ZGG705372	1000164828
ZGG705373	1000164831
ZGG705388	1000165210
ZGG705389	1000165249
ZGG705397	1000165306
ZGG705405	1000194450
ZGG705409	1000223277
ZGG705411	1000223285
ZGG705422	1000381584
ZGG705423	1000449225
ZGG705451	1000600468
ZGG705460	1000873181
ZGG706028	540225
ZGG706029	540226
ZGG706031	550424
ZGG706036	580099
ZGG706042	540388
ZGG706043	540389
ZGG707000	1000699302
ZGG707013	1000699305
ZGG707032	1000625091
ZGG707034	1000617101
ZGG707066	1000699317
ZGG707067	1000699306
ZGG707087	1000625364
ZGG707094	1000699320
ZGG707097	1000699318
ZGG707099	1000624642
ZGG707126	1000699298
ZGG707146	1000039661
ZGG707162	1000626834
ZGG707166	1000305593
ZGG707168	1000305690
ZGG707175	1001345260
ZGG708000	108291
ZGG708004	151100
ZGG708008	151321M
ZGG708010	151328M
ZGG708072	151396
ZGG708081	151338
ZGG708084	869224
ZGG708089	1000213241
ZGG708090	1000213242
ZGG708092	1001489683
ZGG708094	1000475399
ZGG709001	1000299874
ZGG709002	1001443376
ZGG709006	540267
ZGG709016	540383
ZGG709024	540454
ZGG709025	1000308676
ZGG709026	1000021106
ZGG709027	1000039681
ZGG709029	1000039683





This listing shows parts that are similar in physical interchangeability and function. Cross reference lists should not be used as application guides. Please refer to the proper listing in the applications section for specific make and model recommendations.

FLEETRITE		FLEETRITE		FLEETRITE	
Fleetrite Number	Bergstrom Number	Fleetrite Number	Bergstrom Number	Fleetrite Number	Bergstrom Number
ZGG709030	1000039685	ZGG712073	1000259984	ZGG718013	550394
ZGG709033	540293	ZGG712074	1000259980	ZGG718014	550284
ZGG709034	1000122061	ZGG712075	1001860902	ZGG718017	550508
ZGG709035	1000300919	ZGG712084	1000281228	ZGG718021	540373
ZGG709040	1000477674	ZGG713005	651011	ZGG718022	B360874
ZGG709041	1000617672	ZGG713009	651069	ZGG718023	551112
ZGG709042	1000293541	ZGG713010	651459	ZGG718024	551354
ZGG709043	1000293542	ZGG714003	651013	ZGG719004	550385
ZGG710007	108263M	ZGG714012	650668	ZGG719005	550402
ZGG710009	108289M	ZGG714015	1000283836	ZGG720002	525460
ZGG710032	110470	ZGG715000	591520	ZGG720003	525406
ZGG710033	110640M	ZGG715001	650622	ZGG720004	525458
ZGG710071	108274	ZGG715006	652090	ZGG720005	525459
ZGG710073	108250	ZGG715007	B221503	ZGG720006	525313
ZGG710081	869223	ZGG715011	570500	ZGG720007	525600
ZGG710082	108612	ZGG715026	650471	ZGG720011	525784
ZGG710084	1000039686	ZGG715036	650882	ZGG720012	1000331105
ZGG710085	1000039688	ZGG716000	525335	ZGG720014	526407
ZGG710090	108293	ZGG716001	589490	ZGG720015	B407234
ZGG710093	108482M	ZGG716002	650163	ZGG720018	1000039637
ZGG710094	108483M	ZGG716013	1000039701	ZGG720021	1000883432
ZGG710097	B280406	ZGG716014	1000039702	ZGG720022	525507
ZGG710101	1000207046M	ZGG716015	651264	ZGG720023	526431
ZGG710102	108442M	ZGG716016	1001884257	ZGG720024	1000012572
ZGG710104	1000206325M	ZGG716017	B404145	ZGG720026	534510
ZGG711003	650629	ZGG717002	1000593043	ZGG720027	1000201343
ZGG711005	650661	ZGG717029	869595	ZGG720028	525838
ZGG711009	650870	ZGG717034	869621	ZGG720029	525776
ZGG711012	1000345640	ZGG717046	869856	ZGG720030	525836
ZGG711013	651332	ZGG717057	1000039630	ZGG720032	525636
ZGG711014	651021	ZGG717061	1000593047	ZGG720033	526354
ZGG711031	1000948102	ZGG717063	1000593045	ZGG720034	525801
ZGG711032	B404279	ZGG717066	1000206510	ZGG720035	526403
ZGG711034	651323	ZGG717067	1000346874	ZGG720038	584210
ZGG711075	1000198478	ZGG717068	1000347338	ZGG720039	526426
ZGG711077	1000198469	ZGG717070	1000451925	ZGG720040	526404
ZGG711079	650436	ZGG717072	1000348350	ZGG720041	1000220149
ZGG711082	1000250290	ZGG717073	1002921593	ZGG720043	1000206466
ZGG711084	1000246795	ZGG717074	1000346073	ZGG720044	526477
ZGG711086	1000335581	ZGG717075	1000346836	ZGG720045	526427
ZGG712002	525985C	ZGG717076	1000488420	ZGG720048	1000207216
ZGG712005	526024C	ZGG717077	1000348325	ZGG722072	550938
ZGG712008	1001478804	ZGG717078	1000416160	ZGG722073	550966
ZGG712037	526110	ZGG717079	1000346064	ZGG722084	551153
ZGG712050	B402618	ZGG717080	1000346164	ZGG722089	550414
ZGG712058	1001451952	ZGG717081	1000373395	ZGG722090	B409055
ZGG712059	1002089977	ZGG717082	1000431722	ZGG722091	B409056
ZGG712060	540433C	ZGG717083	1000406312	ZGG722092	B409057
ZGG712061	1001479521	ZGG717084	1000293121	ZGG722093	1002080211
ZGG712062	B402562	ZGG717085	1000715576	ZGG722093	1002287239
ZGG712064	1000039695	ZGG718001	550393	ZGG722094	1002080684
ZGG712066	1000007893	ZGG718002	550392	ZGG722095	1002080687
ZGG712068	1000259983	ZGG718011	550386	ZGG722095	1002290824
ZGG712071	1000259981	ZGG718012	550388	ZGG722096	1002080699



800.499.6849 • shop.bergstrominc.com

569

**5**

**PART NUMBER CROSS**

**Fleetrite**

This listing shows parts that are similar in physical interchangeability and function. Cross reference lists should not be used as application guides. Please refer to the proper listing in the applications section for specific make and model recommendations.

FLEETRITE		FLEETRITE		FLEETRITE	
Fleetrite Number	Bergstrom Number	Fleetrite Number	Bergstrom Number	Fleetrite Number	Bergstrom Number
ZGG722096	1002292110	ZGG722182	550793	ZGG722350	1000021905
ZGG722096	1002287262	ZGG722183	550736	ZGG722351	1000021925
ZGG722097	530380	ZGG722184	550737	ZGG722352	1000021964
ZGG722098	530381	ZGG722235	550663	ZGG722353	1000021997
ZGG722099	530382	ZGG722236	550665	ZGG722354	1000022005
ZGG722100	530383	ZGG722237	550667	ZGG722355	1000022068
ZGG722101	530384	ZGG722238	550669	ZGG722356	1000022073
ZGG722102	530385	ZGG722240	550664	ZGG722357	1000022089
ZGG722103	530386	ZGG722241	550666	ZGG722358	1000022105
ZGG722104	530387	ZGG722242	550668	ZGG722360	1000022164
ZGG722105	530388	ZGG722254	550676	ZGG722361	1000022508
ZGG722109	551167	ZGG722255	550678	ZGG722362	1000022514
ZGG722111	551168	ZGG722256	550681	ZGG722363	1000022519
ZGG722112	551171	ZGG722257	550683	ZGG722366	1000022604
ZGG722113	551172	ZGG722259	550677	ZGG722367	1000022607
ZGG722120	550727	ZGG722260	550679	ZGG722368	1000022610
ZGG722121	550728	ZGG722261	550682	ZGG722369	1000022612
ZGG722122	550729	ZGG722263	550684	ZGG722370	1000022616
ZGG722123	550731	ZGG722265	550688	ZGG722371	1000022623
ZGG722128	550738	ZGG722266	550691	ZGG722372	1000022648
ZGG722131	550733	ZGG722268	550685	ZGG722373	1000022704
ZGG722132	550734	ZGG722269	550687	ZGG722374	1000022746
ZGG722134	550718	ZGG722270	550689	ZGG722376	1000022764
ZGG722135	550719	ZGG722280	550699	ZGG722378	1000022805
ZGG722136	550721	ZGG722281	550701	ZGG722379	1000022807
ZGG722139	550722	ZGG722282	550702	ZGG722380	1000022809
ZGG722140	550723	ZGG722283	550703	ZGG722382	1000022813
ZGG722141	550724	ZGG722284	550704	ZGG722383	1000022815
ZGG722142	550725	ZGG722285	550671	ZGG722384	1000022824
ZGG722143	550726	ZGG722286	550672	ZGG722386	1000022873
ZGG722144	551178	ZGG722287	550673	ZGG722387	1000022945
ZGG722147	550769	ZGG722288	550675	ZGG722388	1000022947
ZGG722148	550772	ZGG722290	550674	ZGG722399	1000023603
ZGG722149	550773	ZGG722293	551272	ZGG722400	1000023624
ZGG722150	550775	ZGG722304	551259	ZGG722401	1000023644
ZGG722151	550771	ZGG722313	550692	ZGG722402	1000023646
ZGG722152	550774	ZGG722314	550693	ZGG722403	1000023930
ZGG722154	550783	ZGG722315	550695	ZGG722404	1000023934
ZGG722156	550784	ZGG722316	550697	ZGG722405	1000023951
ZGG722157	551183	ZGG722317	550694	ZGG722406	1000023967
ZGG722158	550776	ZGG722318	550696	ZGG722407	1000023984
ZGG722159	550778	ZGG722326	551201	ZGG722409	1000024025
ZGG722162	550777	ZGG722328	551213	ZGG722411	1000024116
ZGG722163	550779	ZGG722329	551267	ZGG722414	1000024174
ZGG722164	550781	ZGG722339	1000021465	ZGG722415	1000024184
ZGG722172	550715	ZGG722340	1000021519	ZGG722416	1000024213
ZGG722173	550716	ZGG722341	1000021544	ZGG722417	1000025085
ZGG722174	550717	ZGG722342	1000021564	ZGG722418	1000025095
ZGG722176	550786	ZGG722343	1000021571	ZGG722420	1000025138
ZGG722177	550787	ZGG722344	1000021585	ZGG722421	1000025384
ZGG722178	550788	ZGG722345	1000021587	ZGG722422	1000025389
ZGG722179	550789	ZGG722346	1000021649	ZGG722423	1000025392
ZGG722180	550791	ZGG722347	1000021684	ZGG722424	1000197772
ZGG722181	550792	ZGG722348	1000021705	ZGG723001	580552



This listing shows parts that are similar in physical interchangeability and function. Cross reference lists should not be used as application guides. Please refer to the proper listing in the applications section for specific make and model recommendations.

FLEETRITE	
Fleetrite Number	Bergstrom Number
ZGG723007	1002487273
ZGG723010	1000039205
ZGG723011	1000039326
ZGG723012	1000039333
ZGG723013	1000039445
ZGG723014	1000039471
ZGG723015	1000039483
ZGG723016	1000039492
ZGG723022	1000233458
ZGG723023	1000241452
ZGG724004	1002300977
ZGG724005	1002301587
ZGG724006	1002301589
ZGG725004	1000530647
ZGG726000	589740
ZGG726002	525026
ZGG726007	552500
ZGG726008	650459
ZGG726013	525812
ZGG726015	B380060
ZGG726016	890077
ZGG726017	869703
ZGG726018	B380096
ZGG726021	B380102
ZGG727002	550404
ZGG727003	588060
ZGG727004	808810
ZGG727005	585520
ZGG727010	530006
ZGG727024	589910
ZGG727025	591540
ZGG727026	591510
ZGG727027	869048
ZGG727029	B360715
ZGG727031	530747
ZGG727032	E525076
ZGG727033	B360833
ZGG727035	B170145
ZGG728006	530409
ZGG728041	530472
ZGG728055	530609
ZGG728058	530612
ZGG728077	530743
ZGG730002	650254-S
ZGG731000	525614
ZGG731002	525615
ZGG733052	B416964
ZGG733103	B416998
ZGG733484	1002823344
ZGG733489	B416617
ZGG733540	B417261
ZGG733541	B417262
ZGG734005	1001487643
ZGG734006	1001487645

FLEETRITE	
Fleetrite Number	Bergstrom Number
ZGG734007	1001487646
ZGG734008	1001487647
ZGG734010	1001494889
ZGG738000	B173070
ZGG738006	630049
ZGG738011	B417227
ZGG739001	500105
ZGG739002	F45-1002
ZGG739004	B360924
ZGG739004	1002598077
ZGG739005	F45-1001
ZGG739018	B316000
ZGG739028	870331-S
ZGG739075	651225
ZGG739091	651383
ZGG739101	660706
ZGG739102	660707
ZGG739106	500198
ZGG739130	B300652
ZGG739133	B300642
ZGG739143	1000007617
ZGG739144	1000007618
ZGG739154	1000049325
ZGG739156	531019
ZGG739160	652542
ZGG739185	1000174286
ZGG739193	1000174251
ZGG739194	B222987
ZGG739196	B360312
ZGG739198	B223109
ZGG739207	1000168452
ZGG739208	1000230502
ZGG739209	1000230729
ZGG739210	1000230085
ZGG739219	B300222
ZGG739227	1000183201
ZGG739232	1000234569
ZGG739246	1000295771
ZGG739247	1000309205
ZGG739248	1000309203
ZGG739253	670137
ZGG739265	1000174302
ZGG739266	1000224619
ZGG739267	1000235371
ZGG739269	1000236036
ZGG739271	1000247777
ZGG739272	1000247778
ZGG739282	1000493450
ZGG739287	670136
ZGG741001	1000365536
ZGGB416912	B416912
ZGGR1L340	530477
ZGGR725003	1000530645
ZGGR725009	1000530615

FLEETRITE	
Fleetrite Number	Bergstrom Number
ZGGR725012	1000530630
ZGGR725021	B11373
ZGGR725024	1000531021
ZGGR725026	1000531390
ZGGR725027	1000531455
ZGGR725028	1000531458
ZGGR725029	1000531902
ZGGR725032	1000532111
ZGGR725033	1000532147
ZGGR725034	1000532206
ZGGR725035	1000532211
ZGGR725036	1000532215
ZGH51199	B416113
ZGH54002	B416965
ZGH733232	B417167
ZNI733498	1000163931
ZNI733504	1000230792
ZNI733509	1000236773
ZNI733513	1000255856
ZNI733514	1000259751
ZNI733515	1000270409
ZNI733518	1000285448
ZNI739217	1000184211
ZNI740074	1000320709

FORD	
Ford Number	Bergstrom Number
4C4H-19C808-AA	526112
4C4Z-19E889-AB	1002487273
4C4Z-19E889LA	1000417507
B8T-18504-B	B265600
C3AZ-19805-B	205780
C3UZ-18495-A	869619
C3UZ-18495-A	869621
C4AZ-19805-A	205780
C4TZ-18495-A	540308
C4VZ-18527-A	202270
C5AZ-18495-B	869619
C6OZ-19618-A	650878
C7AZ-19618-A	B404075
C7AZ-19805-B	203335
C7TZ-18527-D	201520
C8SZ-18A435	B312000
C8TZ-19618-A	B404019
C8ZZ-19805-B	205780
C9AZ-19805-B	205780
DOHZ-19618-A	B404019
D1HZ-18495-B	540309
D3DZ-19681-A	650476
D3HZ-19959-A	B402496
D3HZ-9A675-A	B314000



800.499.6849 • shop.bergstrominc.com

5

PART NUMBER CROSS

# Four Seasons

This listing shows parts that are similar in physical interchangeability and function. Cross reference lists should not be used as application guides. Please refer to the proper listing in the applications section for specific make and model recommendations.

FORD	
Ford Number	Bergstrom Number
D3NN-19618-A	650649
D3TZ-19926-B	B315000
D9HZ-18527-A	203132
E0TZ-19805-B	203133
E1FZ-19D990-A	540265
E3TZ-18504-A	529800
E4HZ-19703-F	1000165306
E69Z-19D990-A	525712
E69Z-19D990-A	540018
E8TZ-19D990-A	540266
E8UZ-19D990-A	540266
E9HZ-19805-A	205853
E9HZ-19A706	651013
EOVY-19D990-A	540265
F2DZ-19D990-A	540266
F2UZ-19805-A	203284
F39Z-19D990-A	540267
F3XY-19D990-A	540265
F4HT-19D629-CA	1000165306
F4HT-19D629-CA	526357
F4HZ-19C836-A	526110
F54Z-19D990-AB	540018
F6HS-19D629-BA	526482
F6HZ-19C836-A	526112
FDA-18495A	540308
XC4H-19E647-AA	526112

FOUR SEASONS	
Four Seasons Number	Bergstrom Number
20903	650823
20907	650823
34303	540104
35541	B275140
35557	B275140
58700	526498
68159	526498
68162	525901
158583	525901
11408	550993
14306	550414
14730	540209
158505	1000872650
158552	526397
158555	526497
158567	1000537625
158586	1001202145
158594	1001374173
158599	1000141434
168503	1000873181
20901	650477
20904	650177

FOUR SEASONS	
Four Seasons Number	Bergstrom Number
20906	650790
24506	570120
24508	580124
24510	580125
24512	580210
24528	580089
24542	580091
24606	580123
24610	572770
24612	580114
28001	525784
28002	1000039637
28004	526407
28005	1000883432
28009	525507
28011	1000331105
28012	1000841699
28015	525403
33049	526112
33068	526110
33276	B402562
33319	B402496
33323	540107C
33462	1001478794
33479	540072C
33528	1001453456
33537	540078C
33737	1001453765
33743	1001452358
33992	1001264912
33997	540433C
34333 (MEI)	540104
35386	205780
35402	203284
35434 (KYS 275141)	B275141
35501	203335
35502	203211
35506	B274284
35523	201520
35523	203088
35528	B260680
35540	203168
35543	203179
35546	203134
35554	203156
35557	203249
35577	203132
35601	510035
35671	203186
35702	650657
35703	890072
35715	650649
35716	650438

FOUR SEASONS	
Four Seasons Number	Bergstrom Number
35751	B404144
35758	B404097
35795	651459
35845	B404028
35846	B404075
35847	B404019
35888	650441
35898	650448
35928	651069
36659	650661
37327	1000246795
38621	540265
38623	525712
38635	540018
38638	540268
38639	540266
38686	1000477612
38879	589500
38880	1001465094
39163	1000039685
47931	650487
55016	550307
55018	550308
55020	550309
55044	B311000
55046	B312000
55050	B315000
58591	1000223285
58596	1001932834
58596	1000145387
58649	525774
58666	1000223277
58666	1001249654
58666	B402842
58700	525723
58701	525693
58702	525997
58702	526495
58705	525989
58708	525992
58768	1001255095
58768	1001256651
58770	526441
58779	1000139553
58781	1001322225
58782	526482
58785	526066
58786	1000145382
58786	526435
58792	1001256654
58793	526487
58794	1000139585
58796	1000042346



# Freightliner Alliance

5

PART NUMBER CROSS

This listing shows parts that are similar in physical interchangeability and function. Cross reference lists should not be used as application guides. Please refer to the proper listing in the applications section for specific make and model recommendations.

## FOUR SEASONS

Four Seasons Number	Bergstrom Number
58797	526461
59010	570140
59100	580099
59622	580106
59933	551112
65125	B416113
68157	526367
68158	526368
68158	1000164653
68159	525698
68160	1000165210
68160	526372
68161	526374
68161	1000165249
68163	526378
68164	525899
68170	526051
68170	526395
68170	1000164828
68171	526396
68171	1000164831
68576	1000165306
68576	526357
68578	1000870952
74627	869621
74628	869619
75019	1001582686
75021	1001587278
75827	203368
78551	1001256639
78567	526506
78595	1000139472
78597	526437
84706	869281
84744	525984
98596	1000052431
98597	1000039652
98598	1000004842

## FREIGHTLINER ALLIANCE

Freightliner Alliance Number	Bergstrom Number
308011	1000300919
308097	540293
308141	1000293538
308191	589500
308301	013359
311031	B290304
318190	650944
319000	540060
319015	1001860902

## FREIGHTLINER ALLIANCE

Freightliner Alliance Number	Bergstrom Number
319069	525985C
319072	525985C
319154	540078C
319159	526333C
319160	540127C
319190	540078C
319194	B402496
319370	540127C
319514	540060
319614	540072C
319615	540072C
319744	540433C
319745	540433C
319755	1000039695
319910	540107C
ABP N83 304654	525993
304873, 304343	1000870952
319314, 319315	1001451952
ABP N 83 319674	1001450396
ABP N83 301001	203132
ABP N83 301004	203255
ABP N83 301018	868790
ABP N83 301023	203115
ABP N83 301023	203249
ABP N83 301023	B275140
ABP N83 301024	1001266966
ABP N83 301024	890063
ABP N83 301025	1001266966
ABP N83 301025	890063
ABP N83 301033	B275166
ABP N83 301042	B275152
ABP N83 301051	201520
ABP N83 301065	203113
ABP N83 301072	203061
ABP N83 301073	203142
ABP N83 301075	203156
ABP N83 301081	203186
ABP N83 301135	203284
ABP N83 301147	203268
ABP N83 301161	1000132208
ABP N83 301161	202270
ABP N83 301167	1001216759
ABP N83 301172	203179
ABP N83 301172	B275156
ABP N83 301192	203212
ABP N83 301222	205840
ABP N83 301261	203076
ABP N83 301269	1000593047
ABP N83 301271	B275141
ABP N83 301274	203356
ABP N83 301303	203368
ABP N83 301304	890099
ABP N83 301305	203361

## FREIGHTLINER ALLIANCE

Freightliner Alliance Number	Bergstrom Number
ABP N83 301307	868790
ABP N83 301311	B275266
ABP N83 301317	890067
ABP N83 301321	B275240
ABP N83 301322	203335
ABP N83 301322	205853
ABP N83 301331	203213
ABP N83 301331	B275241
ABP N83 301362	203090
ABP N83 301370	B275202
ABP N83 301382	203132
ABP N83 301391	B274284
ABP N83 301411	203211
ABP N83 301459	1000039630
ABP N83 301461	1000142451
ABP N83 301461	890050
ABP N83 301601	1000132208
ABP N83 301631	202520
ABP N83 301741	203168
ABP N83 301761	203133
ABP N83 301771	1000039644
ABP N83 301871	203020
ABP N83 301877	203249
ABP N83 301877	B275140
ABP N83 301881	203088
ABP N83 301891	869701
ABP N83 301911	203067
ABP N83 301921	203066
ABP N83 301957	1001216759
ABP N83 301971	868013
ABP N83 301981	890050
ABP N83 301987	869445
ABP N83 302011	510026
ABP N83 302032	B260680
ABP N83 302042	589540
ABP N83 302061	510027
ABP N83 302061	510046
ABP N83 302081	529800
ABP N83 302101	B260640
ABP N83 302111	B260720
ABP N83 302112	563500
ABP N83 302161	510035
ABP N83 302211	507700
ABP N83 302221	515400
ABP N83 302222	589540
ABP N83 302261	510061
ABP N83 302291	510027
ABP N83 303051	650487
ABP N83 303123	1000139299
ABP N83 303431	650547
ABP N83 304003	526435
ABP N83 304004	526368
ABP N83 304004	1000164653



800.499.6849 • shop.bergstrominc.com

## 5

## PART NUMBER CROSS

## Freightliner Alliance

This listing shows parts that are similar in physical interchangeability and function. Cross reference lists should not be used as application guides. Please refer to the proper listing in the applications section for specific make and model recommendations.

## FREIGHTLINER ALLIANCE

Freightliner Alliance Number	Bergstrom Number
ABP N83 304014	526374
ABP N83 304014	1000165249
ABP N83 304019	525856
ABP N83 304025	525917
ABP N83 304034	526378
ABP N83 304035	525952
ABP N83 304045	B402827
ABP N83 304061	525742
ABP N83 304064	526395
ABP N83 304064	1000164828
ABP N83 304074	526396
ABP N83 304074	1000164831
ABP N83 304083	525989
ABP N83 304093	525993
ABP N83 304094	526367
ABP N83 304095	1000139585
ABP N83 304102	1000223285
ABP N83 304103	525992
ABP N83 304105	B402842
ABP N83 304122	1000223277
ABP N83 304125	525723
ABP N83 304129	525968
ABP N83 304142	525774
ABP N83 304142	525899
ABP N83 304158	1001321949
ABP N83 304158	1001410921
ABP N83 304158	1001400136
ABP N83 304163	1000052427
ABP N83 304163	1000139472
ABP N83 304173	526441
ABP N83 304199	1000141363
ABP N83 304241	1000039652
ABP N83 304249	525858
ABP N83 304263	525997
ABP N83 304263	526495
ABP N83 304283	525693
ABP N83 304303	526051
ABP N83 304313	526051
ABP N83 304324	1000141300
ABP N83 304363	525693
ABP N83 304394	526497
ABP N83 304403	526066
ABP N83 304404	525899
ABP N83 304437	1000872650
ABP N83 304454	526482
ABP N83 304461	525742
ABP N83 304474	1000165306
ABP N83 304474	526357
ABP N83 304481	1000052431
ABP N83 304534	1000139553
ABP N83 304543	526435
ABP N83 304543S	1000145382
ABP N83 304553S	1000600468

## FREIGHTLINER ALLIANCE

Freightliner Alliance Number	Bergstrom Number
ABP N83 304573	526461
ABP N83 304582	1000165210
ABP N83 304582	526372
ABP N83 304584	526498
ABP N83 304604	1002089977
ABP N83 304614	526506
ABP N83 304624	1001932834
ABP N83 304634	1002026901
ABP N83 304634	526488
ABP N83 304664	526506
ABP N83 304669Q	1000004842
ABP N83 304672	526437
ABP N83 304753	526482
ABP N83 304764	1000194450
ABP N83 304773	526487
ABP N83 304793	1000042346
ABP N83 304904	1000139472
ABP N83 304912	525901
ABP N83 304914	1001410935
ABP N83 304915	1001321949
ABP N83 304915	1001410921
ABP N83 304915	1001400136
ABP N83 304916	1001410931
ABP N83 304922	525698
ABP N83 304973	525997
ABP N83 304973	526495
ABP N83 304993	1000141380
ABP N83 305000	580108
ABP N83 305015	B416113
ABP N83 305075	580106
ABP N83 305300	540209
ABP N83 305335	540217
ABP N83 305370	540225
ABP N83 305375	540226
ABP N83 305420	550424
ABP N83 305455	540388
ABP N83 305465	540389
ABP N83 306022	1000624642
ABP N83 306031	1000039661
ABP N83 306032	1000626834
ABP N83 306033	1001345260
ABP N83 306170	1000699312
ABP N83 306195	1000699317
ABP N83 306275	1000699305
ABP N83 306280	1000699304
ABP N83 306328	160198
ABP N83 306337	1001493206
ABP N83 306902	1000699298
ABP N83 306905	1000625364
ABP N83 306920	1000699302
ABP N83 307110	151356
ABP N83 307291	151346
ABP N83 307300	151328M

## FREIGHTLINER ALLIANCE

Freightliner Alliance Number	Bergstrom Number
ABP N83 307375	151100
ABP N83 307400	151346
ABP N83 307410	108291
ABP N83 307445	151321M
ABP N83 308014	1000477644
ABP N83 308014	1000477674
ABP N83 308017	540018
ABP N83 308027	540266
ABP N83 308037	540268
ABP N83 308047	540267
ABP N83 308049	525712
ABP N83 308067	540265
ABP N83 308069	650254-S
ABP N83 308077	540364
ABP N83 308085	B404292
ABP N83 308097	1001404629
ABP N83 308101	540035
ABP N83 308107	540454
ABP N83 308117	1000021106
ABP N83 308231	1000039683
ABP N83 308241	540383
ABP N83 308301	1001443376
ABP N83 308361	1000039683
ABP N83 308361	1000039685
ABP N83 309006	572980
ABP N83 309013	756020C
ABP N83 309041	756600
ABP N83 309111	869352
ABP N83 309141	869350
ABP N83 309151	575080
ABP N83 309151	B265605
ABP N83 309181	756610C
ABP N83 309191	540700
ABP N83 309201	508300
ABP N83 309211	500170
ABP N83 309251	587380
ABP N83 310010	B409017
ABP N83 310031	B330245
ABP N83 310061	550972
ABP N83 310061	B330155
ABP N83 310071	869193
ABP N83 310071	B330308
ABP N83 310188	B409009
ABP N83 310190	B409094
ABP N83 310198	B409023
ABP N83 310200	B409014
ABP N83 310210	B409041
ABP N83 310226	B409000
ABP N83 310278	B409001
ABP N83 310300C	550674
ABP N83 310320C	550737
ABP N83 310340C	551201
ABP N83 310356C	551259

# Freightliner Alliance

5

PART NUMBER CROSS

This listing shows parts that are similar in physical interchangeability and function. Cross reference lists should not be used as application guides. Please refer to the proper listing in the applications section for specific make and model recommendations.

FREIGHTLINER ALLIANCE		FREIGHTLINER ALLIANCE		FREIGHTLINER ALLIANCE	
Freightliner Alliance Number	Bergstrom Number	Freightliner Alliance Number	Bergstrom Number	Freightliner Alliance Number	Bergstrom Number
ABP N83 310406	1002106849	ABP N83 310976	530384	ABP N83 312125	525674
ABP N83 310406	B405430	ABP N83 310978	530385	ABP N83 312310	572770
ABP N83 310410	B405434	ABP N83 310979	550399	ABP N83 312342	580114
ABP N83 310420	B409015	ABP N83 310980	550401	ABP N83 312346	570120
ABP N83 310440	B409028	ABP N83 311021	B290214	ABP N83 312346	580123
ABP N83 310500	B409003	ABP N83 311220C	550725	ABP N83 312348	564700
ABP N83 310700C	550695	ABP N83 311256	550414	ABP N83 312348	580124
ABP N83 310701C	550696	ABP N83 311260	540209	ABP N83 312361	1000039483
ABP N83 310701C	550697	ABP N83 311286	550992	ABP N83 312366	1000039445
ABP N83 310706C	550727	ABP N83 311288	550993	ABP N83 312368	1000039471
ABP N83 310708C	550728	ABP N83 311434	550966	ABP N83 312372	1000039492
ABP N83 310711C	550729	ABP N83 311436	550309	ABP N83 313100	550308
ABP N83 310712	550731	ABP N83 311572	B409025	ABP N83 313100	550309
ABP N83 310716C	550718	ABP N83 311591	B409097	ABP N83 313102	550310
ABP N83 310718C	550719	ABP N83 311706	550414	ABP N83 313106	550307
ABP N83 310726C	550769	ABP N83 311748	B409091	ABP N83 313118	550307
ABP N83 310728C	550772	ABP N83 311758	B409055	ABP N83 313118	550308
ABP N83 310731C	550721	ABP N83 311762	B409057	ABP N83 313300	B320000
ABP N83 310732C	550775	ABP N83 311796	B409013	ABP N83 313305	1000039688
ABP N83 310736C	550771	ABP N83 311806	B409022	ABP N83 313401	1002080687
ABP N83 310738C	550694	ABP N83 311907C	551168	ABP N83 313401	1002290824
ABP N83 310741C	550773	ABP N83 311908	B409027	ABP N83 313402	1002080699
ABP N83 310748C	550693	ABP N83 311926C	551167	ABP N83 313402	1002292110
ABP N83 310751C	550774	ABP N83 311931C	551171	ABP N83 313402	1002287262
ABP N83 310762C	550669	ABP N83 311932C	550726	ABP N83 313406	1002080211
ABP N83 310766C	550663	ABP N83 311936C	551178	ABP N83 313406	1002287239
ABP N83 310768C	550665	ABP N83 311938C	550724	ABP N83 313408	1002080684
ABP N83 310771C	550667	ABP N83 311941C	551267	ABP N83 313558	B311000
ABP N83 310772C	550683	ABP N83 311948C	551213	ABP N83 313559	B312000
ABP N83 310776C	550664	ABP N83 311951C	550673	ABP N83 313560	B315000
ABP N83 310778C	550666	ABP N83 311952C	551172	ABP N83 313905	B314000
ABP N83 310781C	550668	ABP N83 311956C	550671	ABP N83 314003	550508
ABP N83 310782C	550691	ABP N83 311956C	550692	ABP N83 314004	550397
ABP N83 310784C	550682	ABP N83 311958C	550672	ABP N83 314090	550253
ABP N83 310786C	550676	ABP N83 311961C	550734	ABP N83 314091	550252
ABP N83 310788C	550678	ABP N83 311962C	550738	ABP N83 314091	550253
ABP N83 310791C	550681	ABP N83 311968C	550733	ABP N83 314091	550393
ABP N83 310796C	550684	ABP N83 311971C	550784	ABP N83 314091	B360874
ABP N83 310801C	550688	ABP N83 311976C	550783	ABP N83 314101	550252
ABP N83 310806C	550685	ABP N83 311978C	550786	ABP N83 314101	550392
ABP N83 310808C	550687	ABP N83 311980	B409056	ABP N83 314145	550398
ABP N83 310811C	550689	ABP N83 311998C	550792	ABP N83 314146	550398
ABP N83 310816C	550777	ABP N83 312000	580092	ABP N83 314147	550385
ABP N83 310818C	550778	ABP N83 312008	580089	ABP N83 314180	551112
ABP N83 310821C	550781	ABP N83 312010	572770	ABP N83 314190	550393
ABP N83 310826C	550776	ABP N83 312010	580125	ABP N83 314201	551112
ABP N83 310828C	550779	ABP N83 312022	580091	ABP N83 314202	B360874
ABP N83 310961	530382	ABP N83 312032	580114	ABP N83 314470	550388
ABP N83 310962	530383	ABP N83 312032	580210	ABP N83 314485	550394
ABP N83 310966	530380	ABP N83 312046	580113	ABP N83 314505	550386
ABP N83 310968	530381	ABP N83 312060	1000039326	ABP N83 314515	550284
ABP N83 310971	530386	ABP N83 312076	1000039205	ABP N83 315305	108240
ABP N83 310972	530387	ABP N83 312092	1000039333	ABP N83 315310	108245



800.499.6849 • shop.bergstrominc.com

575

5

PART NUMBER CROSS

### Freightliner Alliance

This listing shows parts that are similar in physical interchangeability and function. Cross reference lists should not be used as application guides. Please refer to the proper listing in the applications section for specific make and model recommendations.

#### FREIGHTLINER ALLIANCE

Freightliner Alliance Number	Bergstrom Number
ABP N83 315315	108263M
ABP N83 315380	110470
ABP N83 315385	110640M
ABP N83 315430	108289M
ABP N83 315455	108250
ABP N83 316035	573260
ABP N83 316035	B380061
ABP N83 316050	B380076
ABP N83 316065	589740
ABP N83 316080	525026
ABP N83 316105	552500
ABP N83 316130	650459
ABP N83 316140	B380032
ABP N83 317001	550404
ABP N83 317022	B170145
ABP N83 317024	B360754
ABP N83 317025	B360448
ABP N83 317031	808810
ABP N83 317032	588060
ABP N83 317033	586970
ABP N83 317034	530006
ABP N83 317042	B360761
ABP N83 317120	585520
ABP N83 317550	869048
ABP N83 317580	E525076
ABP N83 318014	B404097
ABP N83 318030	650593
ABP N83 318034	1000948101
ABP N83 318050	650594
ABP N83 318063	591540
ABP N83 318064	B404144
ABP N83 318070	1000948098
ABP N83 318073	589910
ABP N83 318084	650629
ABP N83 318089	650448
ABP N83 318094	650203
ABP N83 318094	B404123
ABP N83 318104	B404123
ABP N83 318108	1000250288
ABP N83 318110	B404122
ABP N83 318120	B404121
ABP N83 318143	591510
ABP N83 318149	650633
ABP N83 318170	651323
ABP N83 318179	650870
ABP N83 318179	651181
ABP N83 318180	651332
ABP N83 318209	1000345640
ABP N83 318229	650869
ABP N83 318718	650419
ABP N83 318748	650418
ABP N83 319014	B402565
ABP N83 319020	1001478804

#### FREIGHTLINER ALLIANCE

Freightliner Alliance Number	Bergstrom Number
ABP N83 319044	1002106141
ABP N83 319047	540121
ABP N83 319048	540121
ABP N83 319110	540111C
ABP N83 319119	526110
ABP N83 319134	1001452332
ABP N83 319144	540062
ABP N83 319174	540094
ABP N83 319210	1001479521
ABP N83 319230	1000622970
ABP N83 319259	526112
ABP N83 319260	540104
ABP N83 319270	1001479521
ABP N83 319309	526112
ABP N83 319330	540062
ABP N83 319394	526024C
ABP N83 319510	1001450393
ABP N83 319514	540059
ABP N83 319530	540104
ABP N83 319554	1001429706
ABP N83 319634	1001453765
ABP N83 319635	1001453765
ABP N83 319690	1001478794
ABP N83 319744	1001450408
ABP N83 319949	1000477649
ABP N83 320110	550403
ABP N83 320140	651150
ABP N83 320140	652420
ABP N83 320220	652100
ABP N83 320250	1000925735
ABP N83 320280	B222166
ABP N83 320290	650731
ABP N83 321060	650441
ABP N83 321060	650790
ABP N83 321110	650823
ABP N83 321130	650475
ABP N83 321200	650177
ABP N83 321200	650477
ABP N83 321210	651013
ABP N83 321300	650179
ABP N83 321300	650477
ABP N83 322000	652090
ABP N83 322000	B221503
ABP N83 322005	650438
ABP N83 322030	B221005
ABP N83 322055	650645
ABP N83 322067	650607
ABP N83 322067	650871
ABP N83 322073	650954
ABP N83 322073	651154
ABP N83 322105	B220743
ABP N83 322150	650657
ABP N83 322190	890072

#### FREIGHTLINER ALLIANCE

Freightliner Alliance Number	Bergstrom Number
ABP N83 322205	B220891
ABP N83 322303	650627
ABP N83 322320	570500
ABP N83 322340	650644
ABP N83 322420	650661
ABP N83 322435	650471
ABP N83 322435	652100
ABP N83 322450	650606
ABP N83 322480	B221181
ABP N83 322550	650088
ABP N83 322560	534100
ABP N83 322620	650086
ABP N83 323000	650511
ABP N83 323014	650149
ABP N83 323014	B404019
ABP N83 323024	650149
ABP N83 323040	650476
ABP N83 323040	650878
ABP N83 323050	650163
ABP N83 323058	B404028
ABP N83 323060	589490
ABP N83 323063	650657
ABP N83 323065	650195
ABP N83 323065	651187
ABP N83 323074	650117
ABP N83 323088	B404075
ABP N83 323100	1000021516
ABP N83 323100	1000340317
ABP N83 323108	650649
ABP N83 323148	B220300
ABP N83 323228	525335
ABP N83 324010	869310
ABP N83 324020	869281
ABP N83 324025	540294
ABP N83 324140	540023
ABP N83 324215	869619
ABP N83 324245	540024
ABP N83 324255	540085
ABP N83 324305	1000348350
ABP N83 324346	869595
ABP N83 324430	1000347338
ABP N83 325021	570140
ABP N83 325060	550385
ABP N83 325149	580099
ABP N83 325159	550402
ABP N83 325175	540373
ABP N83 325195	550367
ABP N83 326022	530477
ABP N83 326055	B11373
ABP N83 327354	525614
ABP N83 327355	1000875789
ABP N83 327367	525615
ABP N83 327380	525403





# Freightliner OE

**5**  
PART NUMBER CROSS

This listing shows parts that are similar in physical interchangeability and function. Cross reference lists should not be used as application guides. Please refer to the proper listing in the applications section for specific make and model recommendations.

FREIGHTLINER ALLIANCE	
Freightliner Alliance Number	Bergstrom Number
ABP N83 327915	550342
ABP N83 327981	530388
ABP N83 328020	1000593043
ABP N83 328125	525460
ABP N83 328135	525784
ABP N83 328175	1000331105
ABP N83 328194	525460
ABP N83 328195	525636
ABP N83 328204	526426
ABP N83 328205	525459
ABP N83 328213	584210
ABP N83 328214	525313
ABP N83 328225	525507
ABP N83 328241	B407387
ABP N83 328265	525249
ABP N83 328275	530633
ABP N83 328295	525543
ABP N83 328305	525249
ABP N83 328325	520217
ABP N83 328375	1000039637
ABP N83 328475	525313
ABP N83 328505	525600
ABP N83 610408	1002106852
ABP N83 610408	B405431
ABP N83 610460	B409100
BSM 360113	B360113
BSM1000049325	1000049325
BSM531019	531019
BSM600187	600187
BSM652542	652542
BSMB300652	B300652
RDHRD4 7131 0	1001188179

FREIGHTLINER OE	
Freightliner OE Number	Bergstrom Number
207012	580210
207068	B404097
208995	203132
275152	205780
308071	1001443384
081685502	756703
02-7010174	B404019
06-15104-000	651203
085108-00	B404097
22-23640-000	650476
22-25921-002	525856
22-25921-003	525856
22-39302-001	1000699312
22-41170-000	525742
22-42084-002	1000699305

FREIGHTLINER OE	
Freightliner OE Number	Bergstrom Number
22-43941-000	1000699306
22-47693-000	525992
22-47694-000	525993
22-58414-000	1000039652
22-62199-000	526477
22-65770-001	1001410935
22-65771-000	1001410921
22-65771-001	1001321949
22-65771-001	1001410921
22-65771-001	1001400136
22-65772-001	1001410931
22-68425	1000039471
22-68426	1000039492
22-68427	1000039492
22-71865-000	1001487648
22-71966-000	1000390653
23-11276-100	651011
23-13201-000	1000039445
23-13203-000	1000039483
2809-820-016	203268
65-00193-00	525460
680 833 00 64	1000347338
680-545-00-05	1000925735
680-830-03-70	1000699304
9533N178	B404028
A06-11454-001	B221005
A06-44004-002	1001465094
A06-94496-000	1000927737
A22-011111-01	651150
A22-14225-0	540104
A22-14425-03	B402565
A22-15817-A	650649
A22-21403-001	203133
A22-23640-0	589490
A22-23640-000	525335
A22-24885-001	1000699317
A22-28796-000	1001450357
A22-30930-0	650944
A22-36474	650869
A22-37199-000	1001450297
A22-43249-000	650870
A22-43374-000	1000870952
A22-45194-001	651332
A22-45432-001	1001468090
A22-51296-000	1000345640
A22-62390-000	1001345354
A22-66824-000	1000626834
A22-69800-000	1001860902
A22-72250-000	1001345260
A22-72252-000	1001188179
A22-72392-000	1001450425
A22-72392-000	1000039695
A22-72460-000	1001345260

FREIGHTLINER OE	
Freightliner OE Number	Bergstrom Number
A22-75338-000	1001429553
A4965	540454
ABP N10G 36000006	1000039637
ABP N83 301014	203066
ABP N83 301022	203179
ABP N83 301065	203113
ABP N83 302042	589540
ABP N83 302081	529800
ABP N83 318000	1000250288
ABP N83 319164	540094
ABP N83 319208	540111C
ABP N83 319224	540059
ABP N83 319370	540127C
ABP N83 319614	1001450393
ABP N83 319624	1001450386
ABP N83 319674	1001450396
ABP N83 319734	1001450363
ABP N83 319744	1001450408
ABP N83 321010	650177
ABP N83 323018	B220300
ABP N83 323030	650163
ABP N83 324140	540023
BER 525222	525222
BOA 91619	1000039701
BOA 93674	1000021106
BOA 93675	1000039688
BOA D8587	203368
BOA M9104001	1000039686
BOA N9535001	1000039681
BOA-632-001-00	650823
BOA-80-321-00-049	1001443794
BOA-80-321-00-049	1000299874
BOA-80-321-00-259	1000039683
BOA-80-415-00-789	890067
BOA-80-946-00-109	650511
BOAA4965	540454
BSM 1000004716	1000004716
BSM 1000007617	1000007617
BSM 1000007618	1000007618
BSM 1000021997	1000021997
BSM 1000033591	1000033591
BSM 1000038693	1002823344
BSM 1000044188	1000044188
BSM 1000044640	1000044640
BSM 1000046148	1000046148
BSM 1000046149	1000046149
BSM 1000133568	1000369918
BSM 1000146165	1001616296
BSM 1000163931	1000163931
BSM 1000168452	1000168452
BSM 1000174251	1000174251
BSM 1000174286	1000174286
BSM 1000174302	1000174302



800.499.6849 • shop.bergstrominc.com

5

PART NUMBER CROSS

## Freightliner OE

This listing shows parts that are similar in physical interchangeability and function. Cross reference lists should not be used as application guides. Please refer to the proper listing in the applications section for specific make and model recommendations.

FREIGHTLINER OE		FREIGHTLINER OE		FREIGHTLINER OE	
Freightliner OE Number	Bergstrom Number	Freightliner OE Number	Bergstrom Number	Freightliner OE Number	Bergstrom Number
BSM 1000183201	1000183201	BSM 1000948225	1000948225	BSM 404279	B404279
BSM 1000184211	1000184211	BSM 1001275456	1001275456	BSM 444700	444700
BSM 1000186314	1000186314	BSM 1001275466	1001275466	BSM 500088	500088
BSM 1000202058	1000202058	BSM 1001276271	1001276271	BSM 500170	500170
BSM 1000206325	1000206325M	BSM 1001276274	1001276274	BSM 507700	507700
BSM 1000224619	1000224619	BSM 1001330147	1001826308	BSM 510014	510014
BSM 1000230085	1000230085	BSM 1001330451	1001330451	BSM 515400	515400
BSM 1000230326	1000230326	BSM 1001330466	1001330466	BSM 519703	519703
BSM 1000230502	1000230502	BSM 1001443378	1001443378	BSM 525048	525048
BSM 1000230729	1000230729	BSM 1001447917	1001447917	BSM 525406	525406
BSM 1000230792	1000230792	BSM 1001487644	1001487644	BSM 525458	525458
BSM 1000234569	1000234569	BSM 1001592577	1001592577	BSM 525600	525600
BSM 1000235371	1000235371	BSM 1001756154	1001756154	BSM 525801	525801
BSM 1000235880	1000235880	BSM 108250	108250	BSM 525812	525812
BSM 1000236036	1000236036	BSM 108274	108274	BSM 525823	525823
BSM 1000236773	1000236773	BSM 108275	108275	BSM 525836	525836
BSM 1000247777	1000247777	BSM 108336	108336	BSM 526427	526427
BSM 1000247778	1000247778	BSM 108433	108433	BSM 526431	526431
BSM 1000255856	1000255856	BSM 108442	108442M	BSM 530006	530006
BSM 1000259751	1000259751	BSM 202270	202270	BSM 530851	530851
BSM 1000270409	1000270409	BSM 202520	202520	BSM 540900	540900
BSM 1000285448	1000285448	BSM 203088	203088	BSM 560101	560101
BSM 1000295771	1000295771	BSM 203090	203090	BSM 560126	560126
BSM 1000300919	1000300919	BSM 203234	203234	BSM 560127	560127
BSM 1000309203	1000309203	BSM 203235	203235	BSM 560235	560235
BSM 1000309205	1000309205	BSM 203374	1000170295	BSM 573260	573260
BSM 1000311715	1002044722	BSM 203412	203412	BSM 575080	575080
BSM 1000338843	1000338843	BSM 301051	201520	BSM 581520	581520
BSM 1000345678	1000345678	BSM 301075	203156	BSM 585520	585520
BSM 1000346059	1000346059	BSM 301082	203134	BSM 586970	586970
BSM 1000346064	1000346064	BSM 301222	205840	BSM 587380	587380
BSM 1000346164	1000346164	BSM 301252	205853	BSM 600187	600187
BSM 1000346774	1000346774	BSM 301601	1000132208	BSM 622290	622290
BSM 1000346874	1000346874	BSM 301661	203067	BSM 650625	1000593040
BSM 1000348325	1000348325	BSM 302161	510035	BSM 650656	650656
BSM 1000348350	1000348350	BSM 302181	510027	BSM 651225	651225
BSM 1000356768	1000356768	BSM 308101	540035	BSM 651383	651383
BSM 1000360348	1001487642	BSM 308379	650254-S	BSM 651462	651462
BSM 1000368102	1001487643	BSM 309231	572980	BSM 652420	652420
BSM 1000368103	1001487645	BSM 312002	580124	BSM 652541	652541
BSM 1000368105	1001487647	BSM 312040	572770	BSM 660320	660320
BSM 1000373392	1000373392	BSM 318063	591540	BSM 660762	660762
BSM 1000373395	1000373395	BSM 318100	650594	BSM 670136	670136
BSM 1000409989	1000409989	BSM 318164	650203	BSM 670137	670137
BSM 1000426128	1000426128	BSM 319154	540078C	BSM 756020	756020C
BSM 1000431722	1000431722	BSM 319284	1001478804	BSM 756610	756610C
BSM 1000493450	1000493450	BSM 321000	650179	BSM 756720	756720C
BSM 1000532111	1000532111	BSM 323100	1000021516	BSM 808810	808810
BSM 1000611575	1000611575	BSM 323100	1000340317	BSM 868790	868790
BSM 1000631209	1000631209	BSM 325030	550398	BSM 869158	869158
BSM 1000694282	1000694282	BSM 327380	525403	BSM 880014	880014
BSM 1000860729	1001551461	BSM 328020	1000593043	BSM 890072	890072
BSM 1000947181	1000947181	BSM 360312	B360312	BSM 890077	890077

578



800.499.6849 • shop.bergstrominc.com

This listing shows parts that are similar in physical interchangeability and function. Cross reference lists should not be used as application guides. Please refer to the proper listing in the applications section for specific make and model recommendations.

FREIGHTLINER OE		FREIGHTLINER OE		FREIGHTLINER OE	
Freightliner OE Number	Bergstrom Number	Freightliner OE Number	Bergstrom Number	Freightliner OE Number	Bergstrom Number
BSM E525082	<b>E525082</b>	KYS 380053	<b>B380053</b>	RDH RD5 8772 0	<b>B203845</b>
BSM F45-1001	<b>F45-1001</b>	KYS 380060	<b>B380060</b>	RDH RD5 8774 0	<b>B203846</b>
BSM F45-1002	<b>F45-1002</b>	KYS 402496	<b>B402496</b>	RDH RD5 8936 0	<b>1000293538</b>
BSM303123	<b>1000139299</b>	KYS 402533	<b>1002106141</b>	RDH RD5 9556 0	<b>525985C</b>
BSM319510	<b>540072C</b>	KYS 402566	<b>540060</b>	RDH RD5 9987 0	<b>525674</b>
BSM500105	<b>500105</b>	KYS 404122	<b>B404122</b>	RDH RD5 9989 0	<b>550367</b>
BSM500198	<b>500198</b>	KYS 404145	<b>B404145</b>	SKI 4548	<b>1000141434</b>
BSM630049	<b>630049</b>	KYS 404270	<b>B404270</b>	SKI 4808	<b>1000600468</b>
BSM651291	<b>1000593048</b>	KYS 404271	<b>B404271</b>	SKI4307	<b>1000322061</b>
BSM660706	<b>660706</b>	KYS 404292	<b>B404292</b>	SKI4314S	<b>1001249691</b>
BSM660707	<b>660707</b>	KYS 405666	<b>550182</b>	SKI4417S	<b>1000145382</b>
BSM868649	<b>868649</b>	KYS 407234	<b>B407234</b>	SKI4543S	<b>1000039646</b>
BSM870331	<b>870331-S</b>	KYS 407294	<b>B407294</b>	SKI4776	<b>1000042346</b>
BSMB300642	<b>B300642</b>	KYS 411343	<b>B411343</b>	SKI4802S	<b>1000872650</b>
BSMB316000	<b>B316000</b>	KYS 417084	<b>B417084</b>	SKI4818	<b>526435</b>
BSMB360924	<b>B360924</b>	KYS 570140	<b>570140</b>	SKI4819	<b>526461</b>
BSMB360924	<b>1002598077</b>	KYS B411271	<b>B411271</b>	TBB 103290	<b>756735C</b>
CYP 721	<b>550404</b>	MOD 1E6068	<b>1000039661</b>	TBB 125882	<b>1000202057</b>
FSC 1749-1907	<b>651021</b>	N10G-91595	<b>526407</b>	TBB 129547	<b>1000202056</b>
III8040135	<b>650419</b>	N31-01403-000	<b>B260816</b>	TBB 150627	<b>1000081604</b>
III8040136	<b>650418</b>	OTC 2EK268	<b>B380087</b>	TBB 66000672	<b>518930</b>
INM 2G754A	<b>650657</b>	PH63856	<b>550397</b>	TBB 66005071	<b>530757</b>
KYS 170145	<b>B170145</b>	POT VF4 15F11	<b>650731</b>	VCC 32000022	<b>1000039630</b>
KYS 173070	<b>B173070</b>	RDH RD5 10333 0	<b>1001443376</b>	VCC 83000036	<b>1000039702</b>
KYS 173089	<b>B173089</b>	RDH RD5 10387 0	<b>203284</b>	VCC 88000030	<b>1000039685</b>
KYS 173090	<b>B173090</b>	RDH RD5 10395 0	<b>868013</b>	VCC T1000044L	<b>1001404629</b>
KYS 220990	<b>B220990</b>	RDH RD5 10397 0	<b>650547</b>	VCC T1000921S	<b>1000331105</b>
KYS 221503	<b>B221503</b>	RDH RD5 10548 0	<b>551168</b>	VCC T1001428N	<b>1001445648</b>
KYS 221670	<b>B221670</b>	RDH RD5 10555 0	<b>550783</b>		
KYS 243029	<b>1000875779</b>	RDH RD5 10556 0	<b>550784</b>		
KYS 260570	<b>B260570</b>	RDH RD5 10559 0	<b>551201</b>		
KYS 260640	<b>B260640</b>	RDH RD5 10564 0	<b>550673</b>		
KYS 260680	<b>B260680</b>	RDH RD5 10565 0	<b>550674</b>		
KYS 265330	<b>B265330</b>	RDH RD5 10566 0	<b>550672</b>		
KYS 265600	<b>B265600</b>	RDH RD5 10567 0	<b>551259</b>		
KYS 275102	<b>B275102</b>	RDH RD5 10570 0	<b>551178</b>		
KYS 275140	<b>B275140</b>	RDH RD5 10571 0	<b>550724</b>		
KYS 275141	<b>B275141</b>	RDH RD5 10572 0	<b>550725</b>		
KYS 275152	<b>B275152</b>	RDH RD5 10573 0	<b>550726</b>		
KYS 275165	<b>B275165</b>	RDH RD5 10574 0	<b>550789</b>		
KYS 275181	<b>B275181</b>	RDH RD5 10575 0	<b>550786</b>		
KYS 275254	<b>B275254</b>	RDH RD5 10576 0	<b>550792</b>		
KYS 275256	<b>B275256</b>	RDH RD5 10577 0	<b>550737</b>		
KYS 275265	<b>B275265</b>	RDH RD5 10579 0	<b>550733</b>		
KYS 275266	<b>B275266</b>	RDH RD5 10580 0	<b>550734</b>		
KYS 280354	<b>B280354</b>	RDH RD5 10593 0	<b>525784</b>		
KYS 300242	<b>B300242</b>	RDH RD5 10738 0	<b>526066</b>		
KYS 311000	<b>B311000</b>	RDH RD5 10775 0	<b>525543</b>		
KYS 312000	<b>B312000</b>	RDH RD5 4233 24	<b>B275202</b>		
KYS 354011	<b>B354011</b>	RDH RD5 6949 0	<b>B409094</b>		
KYS 360400	<b>B360400</b>	RDH RD5 7732 0	<b>550342</b>		
KYS 360880	<b>B360880</b>	RDH RD5 7805 0	<b>B409013</b>		
KYS 380032	<b>B380032</b>	RDH RD5 8490 0	<b>652100</b>		

GILLIG	
Gillig Number	Bergstrom Number
1099018	<b>205840</b>
51-00123-001	<b>756702</b>
51-10855-001	<b>756703</b>
51-10855-003	<b>756713</b>
51-25030-000	<b>650086</b>
53-25035-000	<b>586970</b>
53-29300-000	<b>1001487644</b>
82-00148-000	<b>563500</b>
82-06324-001	<b>203020</b>
82-06326-000	<b>201930</b>
82-06354-000	<b>552500</b>
82-06356-000	<b>572980</b>
82-08780-005	<b>444700</b>
82-08780-022	<b>588060</b>
82-09631-004	<b>584210</b>
82-09632-006	<b>518930</b>
82-10582-005	<b>525048</b>
82-13172-000	<b>581520</b>
82-13441-000	<b>575080</b>
82-13713-001	<b>650179</b>



800.499.6849 • shop.bergstrominc.com

5

PART NUMBER CROSS

## International

This listing shows parts that are similar in physical interchangeability and function. Cross reference lists should not be used as application guides. Please refer to the proper listing in the applications section for specific make and model recommendations.

GILLIG	
Gillig Number	Bergstrom Number
82-18553-001	525222
82-19329-002	622290
82-23399-000	203088
82-29801-000	525458

IC CORP	
IC Corp Number	Bergstrom Number
92711600	1000132642
93107300	530851
426827001	1000715576
426827001	B173153
426829002	B222975
430164001	B360585
433093001	756737
437122023	1000153941
437528001	B407367
438964005	B203819
441086001	500091
441355006	1000875788
442129012	B275140
442129021	B312000
446637001	525828
448253001	780017
449428011	108349M
450037004	B220990
450037008	B260171
450037019	B260170
450038001	B380053
450038002	B380087
450096021	B275181
450139001	1000132208
452046004	1000875793
452046009	1001616296
452046010	B411343
1696836C1	650179
2210999C1	756720C
2211903C1	B407365
2211904C1	B407364
2217914C1	B944184
2217916C1	B360754
2219715C1	550557
2230237C91	1000208584
2230239C91	1000208583
2230256C91	1000222667
2238251C1	1000369918
2503277C1	203066
2503743C91	1000224265
2507219C1	E525082
2507220C1	525893
2507222C1	530293
2507223C1	530300

IC CORP	
IC Corp Number	Bergstrom Number
2507231C1	563500
2507242C1	869158
2509051C1	652420
2509225C1	108347
2509228C1	525864
2511225C1	1000264808
2512552C91	1000635554
2513048C1	1000328470M
2515529C1	1000875788
2585989C1	108433
2585992C1	526398
2586986C1	1000170295
2587218C1	530748
2587219C1	530749
2588423C1	1000875777
2589562C1	108274
2589571C1	108275
2594604C92	1000220907
2595285C2	1000206429
2598644C1	1000046148
2598648C1	1000044188
2607897C91	519703
2607910C1	1000255753
2607912C1	1000257387
3722143C94	1000713079
3791189C1	1000220935
3864119C1	1000194015
3957323C91	1001487641
3957534C91	1001487640
488831C1	B275141
ZGG16411	B260640
ZGG701064	1000255724
ZGG701087	1000132208
ZGG701108	1000046149
ZGG703003	572980
ZGG717078	1000416160
ZGG720004	525458
ZGG720005	525459

ICE	
ICE Number	Bergstrom Number
2521121	525856
2521132	525858
2521152	525917
2521153	525952
2521164	B402827
2521180	525968
2521206	525979
2521496	526397
2521562	526408
2521657	1001202129

INTERNATIONAL	
International Number	Bergstrom Number
360783	B360783
404277	B404277
411271	B411271
92711600	1000132642
93107300	530851
426827001	B173153
427484029	B380007
430164001	B360585
437122021	B354011
437122023	1000153941
437528001	B407367
438659006	B360113
438964005	B203819
438964011	B290247
438964015	B290012
441086001	500091
442129012	B275140
446637001	525828
448253001	780017
449428011	108349M
450037004	B220990
450037008	B260171
450037011	B300242
450038001	B380053
450038002	B380087
450038003	B360274
450096021	B275181
452046004	1000875793
452046010	B411343
1000611575	1000611575
1000623977	1000623977
1001330451	1001330451
1001330466	1001330466
1103545C1	515400
1120544C1	508300
1432840H91	203208
1651427C1	534100
1655566C1	B275152
1655568C1	B380032
1655573C1	581520
1661273C1	650203
1661420C1	650657
1664248C1	650195
1664769C92	650951
1676648C1	203133
1676651C1	540060
1676654C1	525860
1676658C1	650633
1676662C1	530835
1676663C1	540111C
1676665C1	589500
1676801C1	550993
1691469C2	1001443780

This listing shows parts that are similar in physical interchangeability and function. Cross reference lists should not be used as application guides. Please refer to the proper listing in the applications section for specific make and model recommendations.

INTERNATIONAL		INTERNATIONAL		INTERNATIONAL	
International Number	Bergstrom Number	International Number	Bergstrom Number	International Number	Bergstrom Number
1691469-C2	1001443777	2503268C1	205840	2595889C1	756737
1691705C91	203134	2503269C1	500170	2598644C1	1000046148
1691707C1	B260640	2503270C1	575080	2598648C1	1000044188
1691710C91	B402496	2503272C1	756600	2602545C91	1000063838
1691720C91	203186	2503273C1	756610C	2602547C91	1000135092
1691721C91	203132	2503275C1	202520	2602570C92	1000427320
1691722C91	650476	2503277C1	203066	2602571C92	1000431925
1691725C92	525858	2503278C1	203067	2602575C91	1000168713
1691726C91	650878	2503279C1	203088	2606226C91	1001616296
1691728C1	589540	2503727C1	650475	2607881C1	1000021516
1691729C91	650511	2503742C1	650656	2607881C1	1000340317
1691730C91	650731	2503743C91	1000224265	2607897C91	519703
1691732C1	650823	2503783C91	1001443802	2607910C1	1000255753
1691733C91	205780	2506417C1	630051	2607912C1	1000257387
1691738C91	540078C	2506656C1	1000841164	2611208C91	1002044722
1693117C1	1001450631	2507210C1	444700	2613243C91	1000477644
1693117C1	540127C	2507215C1	518930	2613243C91	1000477674
1693969C1	580124	2507219C1	E525082	2614390C1	1000250288
1693970C1	572770	2507220C1	525893	2614947C91	1001487642
1696831C1	890071	2507222C1	530293	306132C1	B360849
1696834C1	525403	2507223C1	530300	3504377C1	1000617180
1696836C1	650179	2507231C1	563500	3524465C1	1000593040
1696846C2	1001443774	2507239C1	622290	3529263C1	748040
1696846C3	1001443802	2507242C1	869158	3542577C2	1001450636
1696854C1	525413	2507247C1	B290215	3542577C2	526333C
1696859C1	600121	2507540C1	550399	3542604C3	108409
1699291C1	890063	2509051C1	652420	3542606-C1	1000755681
1699309C1	650419	2509225C1	108347	3542611C2	890099
1699310C1	650418	2509228C1	525864	3543727C1	1002487273
1699947C1	510027	2511225C1	1000264808	3543728C1	1002487275
1699948C1	868649	2512331C1	1000122061	3543881C1	1000417503
1699949C1	203113	2512552C91	1000635554	3543882C1	1000417507
1699950C1	151346	2513048C1	1000328470M	3546241C1	651187
1699956C1	525543	2513992C91	1000426128	3548043C1	651184
175254C1	540104	2513993C91	1000761785	3548044C1	540364
2000821C2	1001450631	2514386C1	1001266966	3551405C1	526066
2210999C1	756720C	2515529C1	1000875788	3562102C1	651186
2211903C1	B407365	2516874C91	1001487641	3582435C1	1000451085
2211904C1	B407364	2519877C1	551131	3582435C1	526445
2217914C1	B944184	2585989C1	108433	3599581C2	1000477193
2219715C1	550557	2585992C1	526398	3599589C1	1000477644
2230237C91	1000208584	2586812C91	160198	3599598C1	1000477648
2230239C91	1000208583	2586986C1	1000170295	3599601C1	1000477653
2230256C91	1000222667	2587218C1	530748	3599602C1	1000477176
2238251C1	1000369918	2587219C1	530749	3611894C92	1000141284
244550R91	B220300	2588423C1	1000875777	3611894C92	1000872619
2500918C1	650477	2589567C1	530757	3626414C1	1000555432
2500920C1	525222	2589569C1	660757	3628699C1	1000004842
2501235C1	560101	2589571C1	108275	3660853C2	1000477612
2501257C1	650479	2591836C91	1001493206	3660864C1	564700
2501794C92	1001443803	2594604C92	1000220907	3666273C1	1000477649
2502459C91	525742	2595285C2	1000206429	3670132C1	1000477479
2503207C1	1000593044	2595285C2	1001520651	3670134C1	1001450645



800.499.6849 • shop.bergstrominc.com

**5**

**PART NUMBER CROSS**

**Kenworth**

This listing shows parts that are similar in physical interchangeability and function. Cross reference lists should not be used as application guides. Please refer to the proper listing in the applications section for specific make and model recommendations.

INTERNATIONAL	
International Number	Bergstrom Number
3674285C1	1000477197
367972C92	540085
3685785C1	520513
3685792C1	559506
3685793C1	570140
3685800C1	1000593042
3685801C1	652541
3685805C1	1000004716
3688223C1	1000171472
3688227C1	1000044640
3688242C2	1000378282
369512C92	869187
3711180C1	586970
3722143C94	1000713079
3791189C1	1000220935
3808548C1	1001202155
3817773C1	1001321603
3839141C1	1000841699
3839142C1	600187
3839315C1	1000250287
3839326C1	1000103887
3857948C3	1000227147
3864119C1	1000194015
3941876C91	1001443376
3941876C91	013359
3957534C92	1001487640
3986041C1	1000338843
405970C91	B170145
411876C1	202270
434297C1	650607
442182C1	B404121
442183C1	B404123
4507329R1	756020C
454613C1	540107C
469455C1	203156
469475C1	1001443777
472253C1	650606
474030C2	108245
474072C4	540024
476029C1	B404122
480836C1	530633
480869C1	650593
481813C1	525249
488831C1	B275141
488832C1	203249
498144C1	520217
498574C2	540023
501087C3	650871
501099C91	108240
506552C1	650177
581691C1	650149
6102498C93	1001450661
6102498C93	1000812369

INTERNATIONAL	
International Number	Bergstrom Number
6102500C93	1000812426
6118795C2	1000624505
944045C1	514100
B265330	B265330
F69-1013	1001889661
F69-1013	1001889674
IROB14401	530674
ZGG709039	1000293538

KENWORTH	
Kenworth Number	Bergstrom Number
5638	B404292
70421	B404019
275102	203179
404145	589490
404145	650476
570140	570140
589540	589540
591510	591510
591540	591540
651261	1000593044
870076	1000346874
1000390653	1000390653
1000038693BSM	1002823344
1000163931BSM	1000163931
1000230792BSM	1000230792
1000259751BSM	1000259751
1000270409BSM	1000270409
1000285448BSM	1000285448
1000463488BSM	1001465663
1000534258BSM	1001465662
1001275456BSM	1001275456
1001275466BSM	1001275466
1001276271BSM	1001276271
1001276274BSM	1001276274
1001330451BSM	1001330451
1001330466BSM	1001330466
1001443378BSM	1001443378
1001447917BSM	1001447917
1001756154BSM	1001756154
108293BSM	108293
151338BSM	151338
18-04291	526497
2030-12	201520
203139BSM	203139
203142BSM	203142
20578P	205780
221503KB	650438
52980P	529800
540057BSM	1001443771
540057BSM	1000293538

KENWORTH	
Kenworth Number	Bergstrom Number
563500BSM	563500
58949P	650476
5X012834	1000593042
650163BSM	650163
650417BSM	1000021516
650417BSM	1000340317
650436BSM	650436
650459BSM	650459
650465BSM	650465
650471BSM	650471
650475BSM	650475
650697BSM	1000198478
652420BSM	652420
652578BSM	1000198469
868521-S	1001181161
EA1005	1000534258
F31-6063	1001451959
F37-1003	1000007893
F37-1019	1002460531
F37-1022-100	1001053396
F37-1022-200	1002090588
F37-1023	1002972032
F37-6000C	1001452327
F37-6002	1001452021
F37-6002	1000259984
F37-6009	1001452028
F37-6010	1001452027
F37-6010	1000259980
F37-6011	1001452028
F37-6011	1000259981
F37-6012	1000259983
F37-6016	1002972033
F45-1001	F45-1001
F45-1002	F45-1002
F69-6001-114	526495
F69-6001-121	1000052431
F69-6003-112	1002396857
F69-6003-112	1000141423
F69-6003-114	1000163318
F69-6003-122	1000052427
F69-6003-141	1000873181
GD1135	1000007893
GD1135	1001451771
K122-125	1000625091
K122-49	1000617101
K142-537-1	1002949575
K251-521	1001451454
K251-521	540078C
K251-571	1001451771
K256-566	1001452318
K301-162	651150
K301-239	650633
K301-370-1	1000246795
K318-103	525997



This listing shows parts that are similar in physical interchangeability and function. Cross reference lists should not be used as application guides. Please refer to the proper listing in the applications section for specific make and model recommendations.

KENWORTH	
Kenworth Number	Bergstrom Number
K332-62-2	<b>650487</b>
RO337001	<b>1000305690</b>
W2073001	<b>1001398381</b>
Z9206001	<b>1001345364</b>
Z9784001	<b>1000617672</b>

KYSOR	
Kysor Number	Bergstrom Number
011162	<b>530477</b>
011373	<b>B11373</b>
108332	<b>869223</b>
170145	<b>B170145</b>
170445	<b>869350</b>
170447	<b>869352</b>
170449	<b>869852</b>
170450	<b>756020C</b>
170453	<b>756600</b>
170455	<b>756610C</b>
170457	<b>756720C</b>
173070	<b>B173070</b>
173089	<b>B173089</b>
173090	<b>B173090</b>
173131	<b>B173131</b>
173140	<b>B173140</b>
173142	<b>B173142</b>
173148	<b>B173148</b>
173153	<b>B173153</b>
173180	<b>869619</b>
173181	<b>869621</b>
173184	<b>540309</b>
173185	<b>540308</b>
173191	<b>540310</b>
173200	<b>869595</b>
173203	<b>540023</b>
173204	<b>540024</b>
173222	<b>869310</b>
173224	<b>540085</b>
173225	<b>869187</b>
173227	<b>869281</b>
173228	<b>540294</b>
173239	<b>869856</b>
200308	<b>B200308</b>
202208	<b>B202208</b>
202303	<b>B202303</b>
203773	<b>1002106854</b>
203819	<b>B203819</b>
203841	<b>1002106852</b>
203845	<b>1002106849</b>
203845	<b>B203845</b>
203846	<b>B203846</b>
208155	<b>580106</b>

KYSOR	
Kysor Number	Bergstrom Number
220635	<b>650657</b>
220743	<b>B220743</b>
220856	<b>651980</b>
220891	<b>B220891</b>
220990	<b>B220990</b>
221005	<b>B221005</b>
221181	<b>B221181</b>
221189	<b>650645</b>
221503	<b>B221503</b>
221568	<b>651150</b>
221670	<b>B221670</b>
221841	<b>B221841</b>
222013	<b>B222013</b>
222166	<b>B222166</b>
222647	<b>B222647</b>
222973	<b>B222973</b>
222975	<b>B222975</b>
222987	<b>B222987</b>
223084	<b>B223084</b>
223109	<b>B223109</b>
223118	<b>650870</b>
223125	<b>651069</b>
223138	<b>650471</b>
223141	<b>651011</b>
223143	<b>651013</b>
223144	<b>650823</b>
223145	<b>591520</b>
223151	<b>651332</b>
223152	<b>651021</b>
223167	<b>650731</b>
223168	<b>652420</b>
223169	<b>650177</b>
223170	<b>650179</b>
223171	<b>650441</b>
223172	<b>650475</b>
223173	<b>650477</b>
223176	<b>651203</b>
223177	<b>650438</b>
223178	<b>650606</b>
223179	<b>650607</b>
223182	<b>650871</b>
223184	<b>652090</b>
223189	<b>650954</b>
223190	<b>534100</b>
223191	<b>570500</b>
223192	<b>650088</b>
223193	<b>650622</b>
223196	<b>650086</b>
223197	<b>890072</b>
223203	<b>652100</b>
223233	<b>650823</b>
243051	<b>525615</b>
244077	<b>525413</b>
244081	<b>525614</b>

KYSOR	
Kysor Number	Bergstrom Number
260030	<b>B260030</b>
260031	<b>B260031</b>
260170	<b>B260170</b>
260171	<b>B260171</b>
260570	<b>B260570</b>
260640	<b>B260640</b>
260680	<b>B260680</b>
260720	<b>B260720</b>
260770	<b>B260770</b>
260800	<b>529800</b>
260816	<b>B260816</b>
260821	<b>510026</b>
260822	<b>510027</b>
260825	<b>510035</b>
260830	<b>510046</b>
260833	<b>510061</b>
260835	<b>589540</b>
260841	<b>510014</b>
260844	<b>563500</b>
265330	<b>B265330</b>
265600	<b>B265600</b>
265605	<b>B265605</b>
265620	<b>B265620</b>
265621	<b>508300</b>
265622	<b>500170</b>
265623	<b>587380</b>
265624	<b>540700</b>
265625	<b>572980</b>
265627	<b>575080</b>
274243	<b>203156</b>
274270	<b>203133</b>
274284	<b>B274284</b>
274318	<b>203134</b>
274319	<b>203090</b>
274330	<b>868790</b>
274331	<b>890063</b>
274332	<b>203113</b>
274333	<b>203080</b>
274334	<b>890050</b>
274336	<b>203255</b>
274337	<b>868013</b>
274344	<b>1000132208</b>
274345	<b>203067</b>
274346	<b>203088</b>
274348	<b>203213</b>
274349	<b>203076</b>
274363	<b>203284</b>
274379	<b>890067</b>
274380	<b>869701</b>
274381	<b>203268</b>
274385	<b>202520</b>
274386	<b>203020</b>
274387	<b>203061</b>
274388	<b>203066</b>



5

PART NUMBER CROSS

## Kysor

This listing shows parts that are similar in physical interchangeability and function. Cross reference lists should not be used as application guides. Please refer to the proper listing in the applications section for specific make and model recommendations.

KYSOR		KYSOR		KYSOR	
Kysor Number	Bergstrom Number	Kysor Number	Bergstrom Number	Kysor Number	Bergstrom Number
274389	205840	300222	B300222	360811	550253
274390	203115	300242	B300242	360812	550252
274396	203186	300441	580125	360833	B360833
274400	203211	300442	580124	360849	B360849
274404	203249	300515	B300515	360850	B360850
274418	203335	300571	B300571	360867	B360867
274419	203336	300684	580089	360874	B360874
274421	650951	300685	580091	360875	551112
274428	205853	300686	580092	360880	B360880
274431	203234	300689	580113	360917	B360917
274433	203342	300690	580114	360934	B360924
274450	203356	300697	580123	360934	B360934
274451	202270	300698	564700	360953	550404
275102	203179	300699	572770	360954	748040
275102	B275102	300705	580552	360960	586970
275130	B275130	311000	B311000	360961	500105
275140	B275140	312000	B312000	360962	588060
275141	B275141	314000	B314000	360963	808810
275152	B275152	315000	B315000	360964	585520
275154	205780	316000	B316000	360969	530006
275156	B275156	320000	B320000	360973	869048
275158	B275158	330155	B330155	360979	500088
275165	B275165	330245	B330245	380007	B380007
275166	B275166	330308	B330308	380032	B380032
275181	B275181	330369	B330369	380053	B380053
275190	B275190	330379	B330379	380060	B380060
275202	B275202	330393	B330393	380061	B380061
275232	B275232	342550	B342550	380076	B380076
275240	B275240	354122	570140	380087	B380087
275241	B275241	360104	B360104	380088	B380088
275254	B275254	360113	B360113	380091	B380091
275256	B275256	360151	B360151	380096	B380096
275258	B275258	360157	B360157	380099	B380099
275265	B275265	360208	B360208	380100	B380100
275266	B275266	360224	B360224	380102	B380102
280354	B280354	360274	B360274	380108	589740
280406	B280406	360289	B360289	380110	525026
280443	108245	360312	B360312	380115	552500
280444	108240	360348	B360348	380116	650459
280456	108263M	360400	B360400	380117	525588
280458	108289M	360448	B360448	400174	B400174
280471	110470	360450	B360450	400220	151346
280472	110640M	360478	B360478	400225	151356
280482	108274	360561	B360561	400227	108291
280483	108275	360584	B360584	400231	151100
280484	108250	360585	B360585	400235	151321M
290012	B290012	360593	B360593	400237	151328M
290065	B290065	360649	B360649	401143	1000699304
290214	B290214	360692	B360692	402035	526110
290215	B290215	360715	B360715	402037	526112
290247	B290247	360754	B360754	402056	1000870952
290279	B290279	360761	B360761	402060	525989
290303	B290303	360769	B360769	402061	525993
290304	B290304	360783	B360783	402062	525992

584



800.499.6849 • shop.bergstrominc.com



This listing shows parts that are similar in physical interchangeability and function. Cross reference lists should not be used as application guides. Please refer to the proper listing in the applications section for specific make and model recommendations.

KYSOR		KYSOR		KYSOR	
Kysor Number	Bergstrom Number	Kysor Number	Bergstrom Number	Kysor Number	Bergstrom Number
402067	526066	403992	1002287262	404414	650418
402069	525698	403993	1002080687	404415	650448
402184	650547	403993	1002290824	404416	540383
402213	525858	403994	1002080699	404417	650594
402236	525979	403994	1002292110	404422	650627
402245	540078C	404019	B404019	404428	650869
402252	540107C	404028	B404028	404434	589490
402265	526024C	404075	B404075	404437	650163
402274	525901	404082	650649	404438	650195
402284	525899	404089	B404089	404449	1001443376
402286	525774	404093	B404093	404449	013359
402293	526357	404097	B404097	404453	540388
402297	526367	404121	B404121	404454	540389
402298	526368	404122	B404122	405043	550386
402301	526372	404123	B404123	405044	550284
402303	526374	404133	650649	405067	540373
402307	526378	404144	B404144	405429	B405429
402324	526396	404145	650476	405430	1002106849
402325	526397	404145	B404145	405430	B405430
402352	540104	404153	525712	405431	1002106852
402496	B402496	404154	540265	405431	B405431
402529	540059	404161	1000948101	405433	1002106854
402533	1002106141	404172	650633	405433	B405433
402562	B402562	404193	650593	405434	B405434
402565	B402565	404240	650511	405475	550403
402566	540060	404243	650878	405576	B405576
402618	B402618	404264	589500	405662	530635
402679	540094	404270	B404270	405663	530636
402754	540121	404271	B404271	405664	530637
402779	1001429706	404273	540217	405665	530638
402783	525856	404274	1000948102	405666	550182
402815	1002089977	404276	B404276	405937	550394
402818	525917	404277	B404277	405940	550388
402827	B402827	404278	B404278	407162	B407162
402838	525723	404279	B404279	407176	B407176
402842	B402842	404283	B404283	407199	580099
402863	525952	404284	B404284	407234	B407234
402872	540072C	404285	B404285	407240	520217
402874	540127C	404292	B404292	407294	B407294
402876	525997	404296	540293	407359	B407359
402879	540062	404308	B404308	407364	B407364
402882	525985C	404330	540209	407365	B407365
402887	525742	404337	540018	407367	B407367
402927	650487	404338	1000250288	407371	B407371
402969	525968	404339	650629	407372	B407372
403276	1002300977	404345	540266	407387	B407387
403276	550307	404347	540035	407397	530472
403277	1002301587	404348	540268	407400	526426
403277	550308	404363	650661	407407	530380
403278	1002301589	404382	650203	407408	530381
403278	550309	404396	550424	407409	530382
403991	1002080211	404405	540225	407410	530383
403991	1002287239	404406	540226	407411	530384
403992	1002080684	404411	540267	407412	530385



## 5

## PART NUMBER CROSS

## Kysor

This listing shows parts that are similar in physical interchangeability and function. Cross reference lists should not be used as application guides. Please refer to the proper listing in the applications section for specific make and model recommendations.

KYSOR		KYSOR		KYSOR	
Kysor Number	Bergstrom Number	Kysor Number	Bergstrom Number	Kysor Number	Bergstrom Number
407413	530386	409037	B409037	409176	550704
407414	530387	409039	B409039	409186	550715
407415	530388	409041	B409041	409187	550716
407418	530633	409045	B409045	409188	550717
407419	525249	409046	B409046	409189	550718
407420	525403	409047	B409047	409190	550719
407421	525543	409054	550414	409191	550721
407424	525838	409055	B409055	409192	550722
407425	525636	409056	B409056	409193	550723
407428	525460	409057	B409057	409194	550724
407430	525406	409076	B409076	409195	550725
407433	525784	409077	B409077	409196	550726
407434	525458	409087	B409087	409197	550727
407435	525459	409091	B409091	409198	550728
407439	520097	409094	B409094	409199	550729
407447	582790	409097	B409097	409200	550731
407448	525313	409100	B409100	409202	550733
407450	540900	409110	550992	409203	550734
407453	584210	409111	550993	409205	550736
407456	525600	409139	550663	409206	550737
407459	550393	409140	550664	409207	550738
407460	550392	409141	550665	409236	550771
407461	550399	409142	550666	409237	550772
407464	550401	409143	550667	409238	550773
407494	525860	409144	550668	409239	550774
407520	530409	409145	550669	409240	550775
407535	525674	409146	550671	409241	550776
407536	550367	409147	550672	409242	550777
407539	869437	409148	550673	409243	550778
407540	550508	409149	550674	409244	550779
407541	550385	409150	550675	409245	550781
407542	550402	409151	550676	409247	550783
407543	550397	409152	550677	409248	550784
407544	550398	409153	550678	409250	550786
407564	650254-S	409154	550679	409251	550787
407565	550342	409155	550681	409252	550788
407574	530609	409156	550682	409253	550789
407577	530612	409157	550683	409254	550791
407595	530674	409158	550684	409255	550792
407596	869893	409159	550685	409256	550793
409000	B409000	409161	550687	409257	550938
409001	B409001	409162	550688	409258	550966
409003	B409003	409163	550689	409302	551153
409009	B409009	409164	550691	411193	B411193
409013	B409013	409165	550692	411271	B411271
409014	B409014	409166	550693	411285	1000153941
409015	B409015	409167	550694	411330	B411330
409016	B409016	409168	550695	411343	B411343
409017	B409017	409169	550696	411465	B411465
409022	B409022	409170	550697	416113	B416113
409023	B409023	409172	550699	416617	B416617
409025	B409025	409173	550701	416912	B416912
409027	B409027	409174	550702	416964	B416964
409028	B409028	409175	550703	416965	B416965

This listing shows parts that are similar in physical interchangeability and function. Cross reference lists should not be used as application guides. Please refer to the proper listing in the applications section for specific make and model recommendations.

KYSOR		KYSOR		KYSOR	
Kysor Number	Bergstrom Number	Kysor Number	Bergstrom Number	Kysor Number	Bergstrom Number
416998	<b>B416998</b>	1075025	<b>B411271</b>	1099069	<b>203364</b>
417084	<b>B417084</b>	1075031	<b>202270</b>	1099071	<b>1001487645</b>
417167	<b>B417167</b>	1075033	<b>B275158</b>	1099075	<b>203092</b>
417227	<b>B417227</b>	1075034	<b>B275241</b>	1099077	<b>1000046148</b>
417261	<b>B417261</b>	1075035	<b>B275190</b>	1099078	<b>201930</b>
417262	<b>B417262</b>	1075036	<b>B275181</b>	1099080	<b>1000132208</b>
509923	<b>B509923</b>	1075038	<b>1000132197</b>	1099081	<b>203072</b>
944184	<b>B944184</b>	1075043	<b>1000304978</b>	1099084	<b>1001616296</b>
1010007	<b>203156</b>	1075044	<b>519714</b>	1099085	<b>1000321333</b>
1011003	<b>203284</b>	1075047	<b>1000304980</b>	1099087	<b>B275130</b>
1011015	<b>203335</b>	1075048	<b>519715</b>	1099090	<b>1000046149</b>
1012006	<b>890067</b>	1075049	<b>1000348812</b>	1099092	<b>203139</b>
1012009	<b>203211</b>	1075050	<b>1000348813</b>	1099093	<b>1001487647</b>
1012010	<b>203268</b>	1075051	<b>B275102</b>	1099094	<b>203142</b>
1012015	<b>1000356768</b>	1075059	<b>1001363523</b>	1099095	<b>1000153941</b>
1012016	<b>203368</b>	1099002	<b>205780</b>	1099097	<b>519703</b>
1013004	<b>890063</b>	1099003	<b>203156</b>	1099098	<b>B944184</b>
1013005	<b>203113</b>	1099004	<b>B275152</b>	1099099	<b>1001487640</b>
1013007	<b>1000170295</b>	1099006	<b>201520</b>	1099100	<b>1001487649</b>
1013008	<b>890099</b>	1099007	<b>203132</b>	1099100	<b>1001883505</b>
1013009	<b>1000044188</b>	1099009	<b>203249</b>	1099100	<b>1002332305</b>
1013011	<b>1000427320</b>	1099011	<b>B275141</b>	1099101	<b>1001612436</b>
1013012	<b>1000477193</b>	1099012	<b>203249</b>	1099102	<b>1001487648</b>
1013013	<b>1000477197</b>	1099013	<b>203168</b>	1099104	<b>203253</b>
1013015	<b>1001266966</b>	1099014	<b>1001266966</b>	1099113	<b>203208</b>
1014003	<b>203076</b>	1099015	<b>203179</b>	1099115	<b>1001487646</b>
1014005	<b>203115</b>	1099016	<b>203249</b>	1099116	<b>869158</b>
1014006	<b>203235</b>	1099018	<b>205840</b>	1099118	<b>1000321333</b>
1015003	<b>203255</b>	1099020	<b>203080</b>	1099119	<b>1000033591</b>
1015006	<b>203255</b>	1099021	<b>203212</b>	1099120	<b>1000220907</b>
1015007	<b>869445</b>	1099022	<b>203133</b>	1099121	<b>1000222667</b>
1015009	<b>1001276674</b>	1099023	<b>203213</b>	1099122	<b>1000141608</b>
1017001	<b>203186</b>	1099024	<b>B275140</b>	1099123	<b>1001487641</b>
1017003	<b>203134</b>	1099025	<b>205853</b>	1099124	<b>1000132197</b>
1017004	<b>890050</b>	1099026	<b>203090</b>	1099126	<b>B275232</b>
1017005	<b>1000142451</b>	1099032	<b>202520</b>	1099128	<b>203412</b>
1017006	<b>203361</b>	1099033	<b>203020</b>	1099131	<b>B411330</b>
1017007	<b>1000222438</b>	1099034	<b>203066</b>	1099132	<b>B411465</b>
1018002	<b>868013</b>	1099040	<b>1000132642</b>	1099135	<b>1000426128</b>
1018006	<b>203356</b>	1099047	<b>203061</b>	1099137	<b>1000223680</b>
1018009	<b>1000954752</b>	1099048	<b>203336</b>	1099137	<b>1000235880</b>
1019001	<b>1000039644</b>	1099049	<b>B275156</b>	1099139	<b>1001429553</b>
1075005	<b>1000182193</b>	1099050	<b>203067</b>	1099146	<b>1000694282</b>
1075006	<b>B274284</b>	1099051	<b>203088</b>	1099147	<b>B275254</b>
1075009	<b>B275165</b>	1099053	<b>203234</b>	1099152	<b>1001216705</b>
1075010	<b>B275166</b>	1099054	<b>1000255724</b>	1099153	<b>1001216759</b>
1075011	<b>B275202</b>	1099055	<b>203342</b>	1099156	<b>1001342517</b>
1075013	<b>B275240</b>	1099057	<b>1000356768</b>	1099157	<b>1001429553</b>
1075014	<b>B275256</b>	1099059	<b>1000169966</b>	1099159	<b>1001582686</b>
1075015	<b>B275258</b>	1099063	<b>868790</b>	1099160	<b>1001587278</b>
1075016	<b>B275265</b>	1099064	<b>869701</b>	1099161	<b>1001616296</b>
1075017	<b>B275266</b>	1099066	<b>1001487642</b>	1099163	<b>1001044338</b>
1075020	<b>B411343</b>	1099067	<b>1001487644</b>	1099169	<b>1002477045</b>
1075023	<b>B411193</b>	1099068	<b>1001487643</b>	1099170	<b>1002478731</b>



800.499.6849 • shop.bergstrominc.com

587

5

PART NUMBER CROSS

# Kysor

This listing shows parts that are similar in physical interchangeability and function. Cross reference lists should not be used as application guides. Please refer to the proper listing in the applications section for specific make and model recommendations.

KYSOR		KYSOR		KYSOR	
Kysor Number	Bergstrom Number	Kysor Number	Bergstrom Number	Kysor Number	Bergstrom Number
1099172	1002479122	1275003	B265600	1401128	525901
1099173	1002479301	1275004	B265620	1401130	1000042346
1099300	1001487649	1275005	575080	1401133	526066
1099302	1001487641	1299001	1000202059	1401135	525698
1099303	1001487640	1299002	869350	1401140	525774
1099304	1001487642	1299004	869352	1401200	526367
1099305	1001487643	1299006	869852	1401201	526368
1099306	1001487644	1299007	756020C	1401204	526372
1099307	1001487645	1299010	756600	1401206	526374
1099308	1001487646	1299011	1001220529	1401210	526378
1099309	1001487647	1299012	1001142371	1401225	526395
1099310	1001487648	1299013	508300	1401226	526396
1099311	1001494889	1299014	500170	1401325	540388
1099314	1001487655	1299015	587380	1401326	540389
1099316	1001487641	1299016	540700	1401330	526051
1099317	1001487640	1299017	572980	1401336	1000223277
1099318	1001487649	1299018	1000943151	1401336	1001256654
1099319	1001494889	1299019	B265605	1401338	526435
1099321	1001494889	1299021	756610C	1401339	526461
1099322	1001487648	1299023	756720C	1401342	526441
1099323	1001487655	1299025	1000202057	1401345	1000139585
1099325	1001487642	1299026	756702	1401346	526435
1099326	1001487644	1299027	756698	1401347	526437
1099327	1001487643	1299028	510119	1401349	1000004842
1099328	1001487645	1299029	756737	1401355	526482
1099329	1001487646	1299030	1000202056	1401360	526461
1099330	1001487647	1299031	1000202058	1401361	526487
1112001	B260816	1299032	756735C	1401362	526488
1113003	510027	1299034	1000208583	1401363	1000145387
1113004	1000063838	1299035	1000208584	1401364	526482
1115003	510035	1299036	1000081604	1401371	526495
1117002	B260640	1299037	581520	1401374	526497
1117003	510061	1299039	756713	1401375	526498
1118001	510026	1299041	756703	1401382	526506
1175003	B360867	1299046	1000326620	1401389	526445
1199003	510046	1299047	1001142371	1401393	1001249691
1199004	B260680	1299048	1001220529	1401394	1001249691
1199006	563500	1313002	650547	1401395	1000145382
1199007	589540	1380001	1000139242	1401396	1000039646
1199008	529800	1380006	1000139299	1401397	1000039652
1199009	B260680	1399003	1000139242	1401399	1000042346
1199012	B260030	1399005	650487	1401404	1000052427
1199013	B260031	1399009	1000139299	1401405	1000052431
1199020	B260720	1401102	1000223285	1401408	1000449225
1199022	B260770	1401103	1000223285	1401413	1000141300
1199023	B260816	1401106	526357	1401414	1000141380
1199024	515400	1401108	525723	1401416	1000141363
1199028	B260170	1401113	B402842	1401417	1000141423
1199029	B260171	1401115	525693	1401418	1000141434
1199037	B360917	1401117	525997	1401422	1000141284
1199038	510014	1401122	525989	1401426	1000004842
1199042	B260570	1401123	525899	1401427	1000145387
1199043	507700	1401125	525993	1401428	1000145382
1275001	B265330	1401126	525992	1401432	1000163318



This listing shows parts that are similar in physical interchangeability and function. Cross reference lists should not be used as application guides. Please refer to the proper listing in the applications section for specific make and model recommendations.

KYSOR		KYSOR		KYSOR	
Kysor Number	Bergstrom Number	Kysor Number	Bergstrom Number	Kysor Number	Bergstrom Number
1401435	1000194450	1408031	540217	1512027	1001345260
1401437	1000381584	1408040	550424	1512029	1001345354
1401439	1000872711	1408051	540225	1512032	1001188179
1401440	1000537625	1408052	540226	1513001	1000617180
1401448	1000164653	1409002	580106	1513014	160198
1401449	1000872650	1409003	580108	1513028	160198
1401455	1001249654	1409004	550253	1513036	1001493206
1401460	1001249691	1409005	550252	1514017	1000625091
1401461	1001250650	1409006	B360874	1514026	1001345364
1401465	1001202145	1409007	551112	1515002	1000699302
1401467	1001255095	1409011	550393	1515006	1000625364
1401468	1001256639	1409012	550392	1515018	1000699298
1401469	1001256651	1409013	550399	1515022	1001275785
1401471	1001256654	1409016	550401	1517008	1000617101
1401478	1001202155	1410002	1000139472	1517012	1000699320
1401481	1001202157	1410009	1000139553	1517019	1000305593
1401497	1001321603	1410013	1000139585	1517021	1000305690
1401499	1001321790	1410030	1000969524	1518008	1000699318
1401501	1001321949	1410031	1000164653	1518010	1000624642
1401508	1001322225	1410032	1000164828	1599011	1000699304
1401510	1001322640	1410033	1000164831	1613007	151346
1401520	1001322595	1410048	1000165210	1613009	1000431925
1401523	1001374173	1410049	1000165249	1613011	1000477479
1401525	1001384786	1410057	1000165306	1614004	151328M
1401531	1001889661	1410062	1000223277	1614005	151100
1401532	1001889690	1410064	1000223285	1614006	151321M
1401533	1001889700	1410074	1000322061	1614010	1000533723M
1401537	1002411890	1410075	1000449225	1615010	151396
1402002	525742	1410088	1000451085	1615011	869224
1402024	1001932834	1410101	1000600468	1615012	1000475399
1402032	1000139472	1410106	1001889674	1617006	108291
1402038	1000870952	1410110	1002362530	1617010	1001489683
1402044	1000872619	1411018	1002396857	1617011	1000235954
1402045	1000872633	1412002	1000969524	1617012	1001534189
1402046	1000872650	1412008	1000872619	1617013	1000213241
1402047	1000872711	1412009	1000872633	1617014	1000213242
1402049	1000873174	1412010	1000872650	1617016	1001439657
1402050	1000873181	1412011	1000872711	1617017	1001439657
1403001	525856	1412013	1000873174	1617018	1001534189
1403015	525858	1412014	1000873181	1630001	151459
1403100	525917	1440002	1001400136	1675019	B400174
1403101	525952	1440003	1001410931	1699002	151356
1403111	B402827	1441001	1001410921	1699005	151338
1403125	525968	1441002	1001410931	1712007	1000039686
1403141	525979	1441003	1001410935	1712008	1000039688
1403145	526408	1512001	1000699312	1713001	108245
1403168	1001202121	1512003	1000699305	1713004	108240
1403169	1001202129	1512004	1000699317	1713006	1000369918
1406006	526397	1512005	1000699306	1713007	108409
1407008	B416113	1512008	1000039661	1713009	108612
1407042	1001356228	1512015	1000039661	1713010	1000168713
1408025	540209	1512016	1000699320	1713012	1000477648
1408028	B404270	1512025	1000626834	1714005	110640M
1408029	B404271	1512026	1001345260	1714006	110470



**5**

**PART NUMBER CROSS**

**Kysor**

This listing shows parts that are similar in physical interchangeability and function. Cross reference lists should not be used as application guides. Please refer to the proper listing in the applications section for specific make and model recommendations.

KYSOR	
Kysor Number	Bergstrom Number
1714007	108263M
1715008	869223
1717005	108289M
1717012	1000207046M
1717015	1000206325M
1717016	1000619405
1718009	1001275789
1775003	B280354
1799012	108274
1799013	108275
1799014	108250
1799023	108293
1799024	B280406
1799026	108347
1799027	108349M
1799028	108433
1799029	108442M
1799031	108482M
1799032	108483M
1799040	108336
1799041	108428M
1799066	1000635554
1810002	540268
1810003	525712
1811001	540265
1812004	650254-S
1812005	540383
1812006	540454
1812007	1000021106
1812008	1000039681
1812010	1000039683
1812011	1000039685
1812013	1001404629
1812014	1001445648
1812015	1001404629
1812016	1001465094
1812019	1001468089
1812020	1001468090
1813003	1001443777
1813008	540364
1813010	1000378282
1813011	013359
1813012	1000227147
1813012	1000236036
1813013	1000477612
1813014	1000477644
1813015	1000378282
1813016	1001443774
1813017	1001443777
1813018	1001443802
1813019	1001443803
1814001	1001489790
1814002	1000308676
1814003	1000617672

KYSOR	
Kysor Number	Bergstrom Number
1814004	1001398381
1814005	1000534258
1814006	1001443391
1814007	1001443793
1814008	1001465662
1815001	1001448066
1817001	540035
1817002	1000299874
1817003	1000293541
1817004	1000293542
1817005	1000207213
1817006	1001443769
1817007	1000355817
1817008	1000352807
1817009	1000463486
1817010	1001443769
1817011	1001443787
1817017	1001465663
1818001	1001443794
1818002	013359
1818006	1000122061
1818007	1000477674
1818008	1001276615
1818009	1001465631
1875002	540035
1875003	B404292
1875004	1001443791
1899002	540266
1899003	540018
1899005	1001443384
1899009	B404292
1899010	589500
1899020	650254-S
1899021	540267
1899028	540293
1899030	1000293538
1899032	530851
1899035	1001443791
1899035	1000300919
1899036	1001443777
1899037	B404292
1899038	650199
1899041	1001443376
1899042	1001443384
1899044	1001443771
1899045	1001443780
1899046	1001443791
1899047	1001443794
1899048	1001443807
1899049	1001443809
1899050	1001443810
1899053	1001445635
1899055	1001448060
1899058	1001449683

KYSOR	
Kysor Number	Bergstrom Number
1899060	1000211175
1899061	1001449683
1899063	1001465619
1911013	526112
1912001	1001450297
1912002	1001450357
1912005	1001450363
1912007	1001450386
1912008	540072C
1912010	1001450396
1912011	540433C
1912012	1001450396
1912013	1000039695
1912014	1001450363
1912015	1000298975
1912019	1001450427
1912020	1001450297
1912021	1001450357
1912022	1001450363
1912023	1001450386
1912024	1001450393
1912025	1001450396
1912026	1001450408
1912027	1001450425
1912028	1001860902
1912029	1001450427
1912030	1001860902
1913001	540107C
1913004	540127C
1913007	526333C
1913009	1000812369
1913011	1000812426
1913012	1000477649
1913014	1001450631
1913015	1001450636
1913016	1001450645
1913017	1001450661
1914002	540078C
1914003	1001451771
1914005	1000007893
1914006	1000259983
1914010	1001053396
1914011	1002090588
1914013	1001451454
1914014	1001451771
1914015	1001452021
1914016	1001452318
1915001	1001451776
1915002	1001429706
1915004	1001479504
1915005	1001451908
1915008	1001451776
1915009	1001451908
1915010	1001451952



This listing shows parts that are similar in physical interchangeability and function. Cross reference lists should not be used as application guides. Please refer to the proper listing in the applications section for specific make and model recommendations.

KYSOR		KYSOR		KYSOR	
Kysor Number	Bergstrom Number	Kysor Number	Bergstrom Number	Kysor Number	Bergstrom Number
1917001	1001478794	1999244	1001453083	2099016	B220990
1917004	525985C	1999246	1001453097	2099019	1000264808
1917005	1001452021	1999252	1001453427	2099021	B223084
1917005	1000259984	1999253	1001453429	2099022	1000283926
1917006	1000259980	1999254	1001453433	2099026	1001551461
1917007	1000259981	1999256	1001453455	2099027	1000067312
1917008	1001451959	1999257	1001453456	2099028	1001401792
1917009	1001452027	1999261	1001453765	2099029	1000927678
1917010	1001452028	1999269	1001478811	2099030	1002505417
1918001	540121	1999271	1001520903	2112001	B221005
1918005	526024C	1999274	1002106141	2112005	650471
1918008	1001452029	1999277	1002460531	2112010	650944
1918009	1001452030	1999278	1002447375	2113001	650607
1919002	1001478797	1999279	1002614241	2113002	650606
1975001	B402496	2010009	651459	2113003	650871
1975002	1001452040	2010009	651459	2113005	1002003336
1975003	B402618	2011001	651069	2113006	1000755681
1975004	B402562	2012001	1000925735	2113007	1000593040
1975007	1001452033	2012003	651011	2113009	1001272224
1975008	1001452040	2012004	652541	2113010	1000039630
1999003	1001452318	2012005	651203	2113011	1000555432
1999004	526110	2012006	650823	2113015	1000477176
1999005	1001478801	2012007	651013	2114001	B221503
1999007	B402565	2012010	650823	2114002	652090
1999008	1001478801	2013003	650177	2114003	652100
1999009	540059	2013004	650477	2114004	591520
1999010	540060	2013005	651186	2114007	650465
1999011	540062	2013006	1000624505	2115003	1000593044
1999012	540094	2013007	1000624505	2115004	650882
1999015	1001479516	2014001	1001401792	2117001	B220891
1999016	1001479521	2015003	650668	2117004	650622
1999029	540104	2017001	650475	2117005	1000593043
1999037	1001478804	2017002	1000206429	2117006	1000593045
1999040	1002089977	2017003	1000283836	2117007	1000207781
1999046	1001452327	2017004	1001520651	2118001	650086
1999202	B514043-S	2018004	650179	2118002	650088
1999203	540111C	2018006	1001272236	2118004	1000593042
1999204	1000622970	2075001	B221670	2118005	1001272224
1999212	1000281228	2075005	1000303265	2175003	B220743
1999213	540241	2075006	1000303268	2175006	B416912
1999215	1000310183	2075007	1000303295	2190003	1001287300
1999220	1000554489	2075008	1000303297	2191001	1001268625
1999221	1000622970	2090001	1001287118	2191004	1001269115
1999223	1001264912	2099002	650731	2191006	1001269123
1999224	1001264936	2099003	651150	2191008	1001269136
1999225	1001451954	2099004	650179	2191014	1001396393
1999228	1001452327	2099005	650441	2191015	1001396394
1999229	1001452332	2099006	650790	2191016	1001396395
1999230	1001452336	2099008	1000927678	2191017	1001396396
1999231	1001452347	2099009	B222166	2191031	1002003336
1999234	1001452358	2099012	B222973	2199002	B220300
1999235	1001452359	2099013	652420	2199005	650657
1999236	1001452361	2099014	650179	2199006	650645
1999241	1001452409	2099015	650153	2199007	650644



## 5

## PART NUMBER CROSS

## Kysor

This listing shows parts that are similar in physical interchangeability and function. Cross reference lists should not be used as application guides. Please refer to the proper listing in the applications section for specific make and model recommendations.

KYSOR		KYSOR		KYSOR	
Kysor Number	Bergstrom Number	Kysor Number	Bergstrom Number	Kysor Number	Bergstrom Number
2199008	650438	2275003	B404279	2412005	869595
2199010	B221181	2275005	1000948098	2412006	1000373395
2199012	650951	2275009	1000948098	2412009	1000373392
2199019	650954	2275012	1000948101	2412011	869595
2199021	534100	2299001	B404144	2412015	1000348350
2199022	570500	2299003	650633	2413003	540024
2199026	B222975	2299004	650633	2413004	540023
2199027	890072	2299005	B404097	2413005	869187
2199031	651980	2299008	650627	2413006	540085
2199033	B221841	2299010	650629	2414001	1000346874
2199061	651154	2299013	B404122	2414002	1000346059
2199063	660320	2299017	B404276	2414003	1000712039
2199064	530748	2299018	B404277	2414005	1000451925
2199065	530749	2299019	B404283	2414006	1000406312
2199066	1000593047	2299020	B404284	2414007	870084
2199067	1000593048	2299022	B404093	2414008	1000346874
2199069	890071	2299024	B404220	2414009	1000712039
2199072	1000593041	2299033	650448	2414010	1002921593
2199076	660762	2299035	650419	2414011	1000712039
2199085	B222647	2299037	650479	2414012	1002942477
2199086	1000948088	2299101	1000250290	2417003	1000206510
2199091	650263	2299102	B404285	2418001	869856
2199102	651181	2299105	650713	2475001	1000488420
2199104	B222013	2299106	B404278	2475002	B173089
2199105	1000426134	2310013	650117	2475005	B173131
2199106	652584	2312001	650511	2475006	B173148
2210001	650661	2312002	1000039701	2499003	1000346064
2212001	650869	2312003	1000039702	2499006	B173090
2212002	650870	2313001	650149	2499007	1000348325
2212003	650944	2313002	650195	2499008	1000346064
2212004	1000345640	2313003	1000021516	2499011	1000373641
2212005	651332	2313004	1000477653	2499016	B173140
2212006	651021	2314002	1001884257	2499017	B173142
2213001	B404123	2318001	650117	2499018	1000347338
2213002	B404121	2318002	525335	2499021	B173153
2213003	650594	2375001	B404075	2499022	1000373961
2213006	650203	2399003	650476	2499024	1000399625
2213007	1000250288	2399004	B404028	2499030	1000346073
2213008	1002044722	2399005	650878	2499031	869310
2213009	650418	2399006	589490	2499043	540310
2213010	650593	2399009	650163	2499045	540294
2213013	651187	2399010	B404019	2499050	550972
2213014	651184	2399015	B404308	2499052	869193
2213016	1002044722	2399018	B404089	2499053	525984
2213017	1000250287	2399019	650649	2499071	1000346164
2214002	1000198478	2399023	651264	2499074	1000409989
2214003	1000198469	2399026	B404145	2499076	1002921593
2214004	650436	2411001	540309	2499077	1000235880
2214006	1000246795	2411003	869281	2499080	1000431722
2217001	651323	2411004	869621	2499083	1000346836
2217003	1000335581	2411005	869619	2499084	1000293121
2217004	1001513275	2411007	540308	2499087	1000235880
2275001	1000948102	2412002	1000373395	2499088	1000346774
2275002	1000948101	2412003	1000348350	2499089	1000416160



This listing shows parts that are similar in physical interchangeability and function. Cross reference lists should not be used as application guides. Please refer to the proper listing in the applications section for specific make and model recommendations.

KYSOR		KYSOR		KYSOR	
Kysor Number	Bergstrom Number	Kysor Number	Bergstrom Number	Kysor Number	Bergstrom Number
2499093	<b>B330393</b>	2599032	<b>B380096</b>	2610003-DS	<b>1002301589</b>
2499094	<b>1000346073</b>	2599034	<b>B380100</b>	2610004	<b>550310</b>
2499095	<b>1000409989</b>	2599036	<b>589740</b>	2610006	<b>550342</b>
2499095	<b>1000472099</b>	2599038	<b>525026</b>	2610010	<b>530635</b>
2499097	<b>1000373961</b>	2599043	<b>552500</b>	2610011	<b>530636</b>
2499098	<b>1000347338</b>	2599044	<b>650459</b>	2610012	<b>530637</b>
2499101	<b>1000451925</b>	2599045	<b>1000875801</b>	2610013	<b>530638</b>
2499102	<b>1000472099</b>	2599047	<b>525823</b>	2610777	<b>550414</b>
2499104	<b>871288-S</b>	2599049	<b>525812</b>	2610778	<b>B409055</b>
2499107	<b>1000346073</b>	2599050	<b>890077</b>	2610779	<b>B409056</b>
2499108	<b>1000346064</b>	2599051	<b>E525082</b>	2610780	<b>B409057</b>
2499111	<b>1000373395</b>	2599052	<b>530293</b>	2611192	<b>B409094</b>
2499112	<b>1000399625</b>	2599053	<b>530300</b>	2611193	<b>B409041</b>
2499113	<b>1000373392</b>	2599057	<b>1000875777</b>	2611201	<b>B409013</b>
2499114	<b>1000409989</b>	2599058	<b>B380102</b>	2611203	<b>B409014</b>
2499116	<b>1000488420</b>	2599059	<b>1000875793</b>	2611205	<b>550966</b>
2499117	<b>1000346836</b>	2599068	<b>1000255753</b>	2611206	<b>B409091</b>
2499118	<b>1000406312</b>	2599070	<b>525048</b>	2611208	<b>B409015</b>
2499119	<b>1000373641</b>	2599071	<b>1000875789</b>	2611295	<b>550938</b>
2499120	<b>1000346059</b>	2599075	<b>1000875788</b>	2611301	<b>B409086</b>
2499121	<b>1000348325</b>	2599087	<b>1000925201</b>	2611303	<b>B409097</b>
2499125	<b>1000416160</b>	2599090	<b>1000224265</b>	2611506	<b>B409047</b>
2499126	<b>1000293121</b>	2599090	<b>1000235880</b>	2611591	<b>551153</b>
2499127	<b>1000346164</b>	2599091	<b>1000876272</b>	2612101	<b>550992</b>
2499128	<b>1000348343</b>	2600006	<b>1001260070</b>	2612102	<b>550993</b>
2499130	<b>1000431722</b>	2600007	<b>1002300971</b>	2612201	<b>B409022</b>
2499131	<b>1000513101</b>	2600008	<b>1002300976</b>	2612202	<b>B409023</b>
2499134	<b>1000346774</b>	2600008	<b>1001260076</b>	2612204	<b>B409025</b>
2499137	<b>1000715576</b>	2600010	<b>1002287262</b>	2612208	<b>B409027</b>
2499146	<b>1000220935</b>	2600011	<b>1002290824</b>	2612209	<b>B409028</b>
2499147	<b>1000235880</b>	2600012	<b>1002292110</b>	2612210	<b>B409077</b>
2499151	<b>869485</b>	2600013	<b>B320000</b>	2612252	<b>B409009</b>
2499156	<b>1000347338</b>	2600020	<b>1001639549</b>	2612257	<b>B409100</b>
2499156	<b>1002895726</b>	2600021	<b>1001639551</b>	2612291	<b>B409000</b>
2514001	<b>1000860818</b>	2600022	<b>1001639552</b>	2612292	<b>B409001</b>
2514002	<b>1000860818</b>	2600023	<b>1001639553</b>	2612294	<b>B409003</b>
2514003	<b>1000860818</b>	2600025	<b>560126</b>	2612299	<b>B409076</b>
2575002	<b>B380007</b>	2600026	<b>560127</b>	2612508	<b>B409087</b>
2575003	<b>B380032</b>	2600028	<b>B300515</b>	2612515	<b>B409046</b>
2575004	<b>573260</b>	2600032	<b>1001564223</b>	2612516	<b>B409045</b>
2575005	<b>B380060</b>	2600039	<b>1001639549</b>	2612590	<b>B409039</b>
2575006	<b>B380061</b>	2600040	<b>1001639551</b>	2612592	<b>B409016</b>
2575008	<b>B380076</b>	2600041	<b>1001639552</b>	2612593	<b>B409017</b>
2575009	<b>B380087</b>	2600042	<b>1001639553</b>	2614011	<b>B409037</b>
2575011	<b>B380099</b>	2600043	<b>1002287239</b>	2614016	<b>1001338290</b>
2575024	<b>525588</b>	2600045	<b>1001260070</b>	2614017	<b>1001338301</b>
2599009	<b>1000875779</b>	2600046	<b>1002300971</b>	2614018	<b>1001338564</b>
2599015	<b>525615</b>	2600047	<b>1002300976</b>	2614019	<b>1001338581</b>
2599016	<b>525413</b>	2600047	<b>1001260076</b>	2614065	<b>1001579692</b>
2599020	<b>525614</b>	2610001	<b>550307</b>	2614109	<b>1001580069</b>
2599021	<b>1000875789</b>	2610001-DS	<b>1002300977</b>	2614110	<b>1001580070</b>
2599025	<b>B380053</b>	2610002	<b>550308</b>	2614113	<b>1001580073</b>
2599029	<b>B380088</b>	2610002-DS	<b>1002301587</b>	2614129	<b>1001580089</b>
2599030	<b>B380091</b>	2610003	<b>550309</b>	2614131	<b>552-C043</b>



## 5

## PART NUMBER CROSS

## Kysor

This listing shows parts that are similar in physical interchangeability and function. Cross reference lists should not be used as application guides. Please refer to the proper listing in the applications section for specific make and model recommendations.

KYSOR		KYSOR		KYSOR	
Kysor Number	Bergstrom Number	Kysor Number	Bergstrom Number	Kysor Number	Bergstrom Number
2614134	1001580093	2630909	550725	2632494	550704
2614137	1001580096	2630910	550726	2632501	550671
2614145	1001580103	2630911	551178	2632502	550672
2614148	1001580106	2631201	550769	2632503	550673
2614150	1001580108	2631201	550769	2632504	550675
2614151	1001580109	2631202	550772	2632506	550674
2614153	1001580111	2631203	550773	2632509	551272
2614159	1001580116	2631204	550775	2632559	551259
2614160	1001580117	2631206	550771	2632591	550692
2614161	552-C053	2631207	550774	2632592	550693
2614162	1000349946	2631251	550783	2632593	550695
2614164	1001580119	2631256	550784	2632594	550697
2614165	1001580120	2631258	551183	2632596	550694
2614168	1001580123	2631291	550776	2632597	550696
2614177	1001580131	2631292	550778	2633803	551201
2614179	1001580133	2631296	550777	2633892	551213
2614186	1001580140	2631297	550779	2633893	551267
2614189	1001580143	2631298	550781	2633909	1001562293
2614230	1001580182	2631391	550715	2640701	B330155
2614237	1001580190	2631392	550716	2640702	B330308
2614238	1001580196	2631393	550717	2640703	B330369
2614240	1001580200	2631502	550786	2640772	B330379
2614243	1001594399	2631503	550787	2640774	B405429
2622707	550979	2631506	550788	2640792	B330245
2630001	1002080211	2631507	550789	2650001	550182
2630002	1002080684	2631591	550791	2650002	550215
2630003	1002080687	2631592	550792	2650003	550216
2630004	1002080699	2631593	550793	2650005	550051
2630005	530380	2631596	550736	2650007	550159
2630006	530381	2631597	550737	2650013	B405576
2630007	530382	2632201	550663	2660000	1000025384
2630008	530383	2632202	550665	2660001	1000025389
2630009	530384	2632203	550667	2660002	1000025392
2630010	530385	2632204	550669	2660003	1000197772
2630011	530386	2632206	550664	2660004	1000021465
2630012	530387	2632207	550666	2660005	1000021519
2630013	530388	2632208	550668	2660006	1000021544
2630017	551167	2632251	550676	2660007	1000021564
2630019	551168	2632252	550678	2660008	1000021571
2630020	551171	2632253	550681	2660010	1000021587
2630021	551172	2632254	550683	2660011	1000021649
2630701	550727	2632256	550677	2660012	1000021684
2630702	550728	2632257	550679	2660013	1000021705
2630703	550729	2632258	550682	2660015	1000021905
2630704	550731	2632291	550684	2660017	1000021964
2630721	550738	2632293	550688	2660018	1000021997
2630792	550733	2632294	550691	2660019	1000022005
2630793	550734	2632296	550685	2660020	1000022068
2630901	550718	2632297	550687	2660021	1000022073
2630902	550719	2632298	550689	2660022	1000022089
2630903	550721	2632402	550699	2660023	1000022105
2630906	550722	2632403	550701	2660025	1000022164
2630907	550723	2632406	550702	2660027	1000022514
2630908	550724	2632493	550703	2660028	1000022519

This listing shows parts that are similar in physical interchangeability and function. Cross reference lists should not be used as application guides. Please refer to the proper listing in the applications section for specific make and model recommendations.

KYSOR		KYSOR		KYSOR	
Kysor Number	Bergstrom Number	Kysor Number	Bergstrom Number	Kysor Number	Bergstrom Number
2660031	100022604	2670020	1001457863	2799040	B360312
2660032	100022607	2670021	1001457868	2799042	B360450
2660033	100022610	2670022	1001457869	2799046	1002106849
2660034	100022612	2670023	1001458217	2799046	B405430
2660036	100022623	2670024	1001458219	2799047	1002106849
2660037	100022648	2670025	1001458220	2799047	B203845
2660038	100022704	2670026	1001458226	2799048	1002106852
2660039	100022746	2670027	1001458233	2799048	B405431
2660041	100022764	2670028	1001458249	2799049	1002106852
2660043	100022805	2670029	1001458250	2799050	B405434
2660044	100022807	2670030	1001458251	2799051	B203846
2660045	100022809	2670031	1001458255	2799052	1002106854
2660047	100022813	2670032	1001458257	2799052	B405433
2660048	100022815	2670033	1001458258	2799053	1002106854
2660049	100022824	2670034	1001458259	2799054	B290065
2660051	100022873	2670035	1001458260	2799055	B290247
2660052	100022945	2670036	1001458283	2799056	B360113
2660053	100022947	2670037	1001458288	2799076	B290214
2660064	100023603	2670038	1001458290	2799077	B290304
2660065	100023624	2670039	1001458292	2799081	B290303
2660066	100023644	2670040	1001458293	2799084	B311000
2660067	100023646	2670041	1001458294	2799085	B312000
2660068	100023930	2670042	1001458299	2799086	B314000
2660069	100023934	2670043	1001458301	2799087	B315000
2660070	100023951	2670044	1001458303	2799088	B316000
2660071	100023967	2670045	1001458305	2799092	B360849
2660072	100023984	2670046	1001458308	2799102	580099
2660074	100024025	2670047	1001458310	2799105	580553
2660079	100024174	2670048	1001458311	2799107	869893
2660080	100024184	2670049	1001458313	2799108	869437
2660081	100024213	2670050	1001458314	2799115	580123
2660082	100025085	2670052	1001458323	2799116	580124
2660083	100025095	2670053	1001458324	2799117	580125
2660085	100025138	2670054	1001458325	2799118	580210
2660086	1001326527	2670055	1001561385	2799201	550367
2660089	1001842799	2670056	1001561396	2799202	525674
2660090	1001844355	2712001	1000039205	2799208	580565
2660093	1001851262	2712002	1000039326	2799211	1000417503
2660094	1001851271	2712003	1000039333	2799212	1000417507
2670001	1001457683	2712004	1000039445	2799219	1000233458
2670002	1001457686	2712005	1000039471	2799219	1000236773
2670003	1001457688	2712006	1000039483	2799220	1000241452
2670008	1001457850	2712007	1000039492	2799225	1001562220
2670009	1001457851	2712008	1002508370	2799226	1001562233
2670010	1001457852	2799015	570120	2799227	1001562240
2670011	1001457853	2799016	564700	2799228	1001562246
2670012	1001457854	2799017	572770	2799229	1001562250
2670013	1001457855	2799018	580114	2799235	1002508371
2670014	1001457856	2799019	580113	2799236	1002430992
2670015	1001457857	2799021	580089	2799237	1002431328
2670016	1001457859	2799022	580092	2799238	1002431343
2670017	1001457860	2799023	580091	2799239	1002106849
2670018	1001457861	2799037	B173070	2799240	1002106852
2670019	1001457862	2799039	B360208	2799242	1002106854



**5**

**PART NUMBER CROSS**

**Kysor**

This listing shows parts that are similar in physical interchangeability and function. Cross reference lists should not be used as application guides. Please refer to the proper listing in the applications section for specific make and model recommendations.

KYSOR		KYSOR		KYSOR	
Kysor Number	Bergstrom Number	Kysor Number	Bergstrom Number	Kysor Number	Bergstrom Number
2799248	1002487273	3099058	1000530647	3199036	520097
2799249	1002487275	3099059	1000530681	3199044	582790
2899001	550386	3099061	1000531021	3199045	525313
2899003	550284	3099063	1000531390	3199047	540900
2899004	550394	3099064	1000531455	3199050	584210
2899005	550388	3099065	1000531458	3199053	525600
2899018	550284	3099066	1000531902	3199064	525836
2899019	550394	3099067	1000531951	3199065	526354
2899026	540373	3099068	1000532111	3199066	525893
2899027	580552	3099069	1000532147	3199067	526431
2899028	550403	3099070	1000532206	3199068	525776
2899029	550508	3099071	1000532211	3199071	525801
2899030	550385	3099072	1000532215	3199072	525828
2899031	550402	3112007	1000331105	3199073	525864
2899032	550397	3112009	526407	3199074	526398
2899033	550398	3112012	1000039637	3199076	526477
2899107	551354	3112013	1001306141	3199078	526403
2999006	530472	3112014	1001306141	3199079	526404
2999015	530835	3113001	525249	3199080	1000137119
2999019	525860	3113003	520217	3199081	1000186314
2999021	530409	3113004	525543	3199082	526427
2999061	530609	3113005	530633	3199084	1000004716
2999064	530612	3113006	1000841164	3199085	1000841699
2999075	530674	3113007	B407367	3199086	1000103887
2999091	530743	3113008	B407365	3199091	525777
3099003	1000530615	3113009	B407364	3199092	1000257387
3099005	1000531902	3114001	525507	3212002	550404
3099005	1000531902	3114002	1000012572	3213003	748040
3099007	B11373	3114003	534510	3213005	B360151
3099014	1000531951	3115001	1001272970	3275002	B170145
3099015	1000530681	3117001	1000220149	3275003	B360157
3099016	1000530647	3117002	1000206466	3275005	B360224
3099021	1000530630	3117003	1000207216	3275006	B360289
3099023	1000530645	3117004	1000735599	3275007	B360400
3099035	1000532147	3118003	1000883432	3275008	B360448
3099036	1000532206	3175002	B407176	3275009	B360761
3099037	1000532215	3175004	B407372	3275010	B360783
3099038	1000532211	3175014	1000371990	3275011	B360850
3099040	1000532111	3199003	B407162	3275012	B360880
3099041	1000531021	3199005	B407234	3275014	500105
3099043	1000531390	3199007	B407294	3299005	B360104
3099044	1000531455	3199010	B407359	3299006	B360348
3099045	1000531458	3199014	B407371	3299007	B360478
3099046	1000531902	3199016	B407387	3299008	B360561
3099046	1000531902	3199018	526426	3299013	B360584
3099048	1000531951	3199020	525403	3299014	B360593
3099049	1000532111	3199021	525838	3299015	B360649
3099050	1000532147	3199022	525636	3299016	B360715
3099051	1000532206	3199025	525460	3299018	B360754
3099052	1000532211	3199027	525406	3299019	B360769
3099053	1000532215	3199030	525784	3299021	585520
3099055	1000530615	3199031	525458	3299023	E525076
3099056	1000530630	3199032	525459	3299024	B360833
3099057	1000530645	3199034	1000201343	3299030	586970

This listing shows parts that are similar in physical interchangeability and function. Cross reference lists should not be used as application guides. Please refer to the proper listing in the applications section for specific make and model recommendations.

KYSOR		KYSOR		KYSOR	
Kysor Number	Bergstrom Number	Kysor Number	Bergstrom Number	Kysor Number	Bergstrom Number
3299031	<b>588060</b>	3620001	<b>1001330451</b>	4099191	<b>B223109</b>
3299032	<b>808810</b>	3620002	<b>1001330466</b>	4099194	<b>1000390653</b>
3299033	<b>585520</b>	3620004	<b>1001826308</b>	4099197	<b>1000295771</b>
3299037	<b>530006</b>	3620005	<b>1001826308</b>	4099198	<b>1000309205</b>
3299042	<b>500088</b>	3620006	<b>1001826308</b>	4099199	<b>1000309203</b>
3299043	<b>869048</b>	3620007	<b>1001826308</b>	4099201	<b>670137</b>
3299047	<b>589910</b>	3620008	<b>1001330451</b>	4099202	<b>1001029579</b>
3299048	<b>591540</b>	3620009	<b>1001330466</b>	4099204	<b>1001029579</b>
3299049	<b>591510</b>	3620010	<b>1001826308</b>	4099206	<b>670136</b>
3299050	<b>530747</b>	3630002	<b>1001447917</b>	4399001	<b>525222</b>
3299052	<b>500091</b>	3630004	<b>1001443378</b>	4399002	<b>530159</b>
3299062	<b>B360585</b>	3699025	<b>1000163931</b>	4399004	<b>530757</b>
3299064	<b>1000370193</b>	3699031	<b>1000255856</b>	4399005	<b>589790</b>
3314001	<b>1002949575</b>	3699032	<b>1000259751</b>	4399007	<b>1000213522</b>
3399026	<b>780017</b>	3699033	<b>1000270409</b>	4399010	<b>1000365536</b>
3399036	<b>1000194015</b>	3699041	<b>1001330470</b>	4399025	<b>B509185</b>
3399048	<b>1000136032</b>	3699044	<b>1001756154</b>	4399032	<b>870118-S</b>
3399086	<b>1000713079</b>	3699045	<b>1001697266</b>	4399037	<b>1000365536</b>
3418001	<b>1001932834</b>	3699046	<b>1002893213</b>	4399038	<b>1000365536</b>
3418002	<b>1002026901</b>	3699059	<b>1002186970</b>	4399045	<b>591530</b>
3475004	<b>B416964</b>	3699060	<b>1002187206</b>	4399053	<b>520152</b>
3475005	<b>B416965</b>	3899005	<b>869703</b>	4399054	<b>520155</b>
3475035	<b>B416617</b>	3899007	<b>880014</b>	4399055	<b>520154</b>
3475056	<b>B416998</b>	3899014	<b>B360924</b>	4399058	<b>518930</b>
3475059	<b>B417084</b>	3899014	<b>B360934</b>	4399060	<b>B300242</b>
3475064	<b>B417167</b>	3899017	<b>1000135581</b>	4399063	<b>B351900</b>
3475068	<b>B417261</b>	3899027	<b>1000761785</b>	4399068	<b>570140</b>
3475069	<b>B417262</b>	4099002	<b>F45-1002</b>	4399072	<b>B352700</b>
3475098	<b>1001685792</b>	4099004	<b>B360924</b>	4399078	<b>630001</b>
3499010	<b>B417227</b>	4099005	<b>F45-1001</b>	4399084	<b>B360274</b>
3499029	<b>1001404667</b>	4099028	<b>870331-S</b>	4399087	<b>B203819</b>
3499030	<b>1001397464</b>	4099075	<b>651225</b>	4399091	<b>622290</b>
3499033	<b>1001381981</b>	4099080	<b>868649</b>	4399092	<b>B290012</b>
3499034	<b>1001404710</b>	4099082	<b>560101</b>	4399096	<b>B200307</b>
3499042	<b>1001157329</b>	4099086	<b>1000611575</b>	4399101	<b>B200308</b>
3499043	<b>1001165354</b>	4099091	<b>651383</b>	4399102	<b>B200309</b>
3499045	<b>1001229640</b>	4099100	<b>660706</b>	4399103	<b>B200115</b>
3499046	<b>1001229584</b>	4099101	<b>660707</b>	4399105	<b>B354011</b>
3499047	<b>1001159300</b>	4099106	<b>500198</b>	4399109	<b>514100</b>
3499048	<b>1001004175</b>	4099115	<b>1000184211</b>	4399112	<b>B202208</b>
3499049	<b>1001166439</b>	4099116	<b>1000007617</b>	4399120	<b>B342550</b>
3499050	<b>1000988616</b>	4099117	<b>1000007618</b>	4399125	<b>620280</b>
3499051	<b>1000988618</b>	4099126	<b>560235</b>	4399126	<b>600115</b>
3499052	<b>1001004181</b>	4099133	<b>630049</b>	4399131	<b>551131</b>
3499054	<b>1001013646</b>	4099146	<b>531019</b>	4399132	<b>1000555333</b>
3499055	<b>1001015619</b>	4099147	<b>600187</b>	4399133	<b>1000230326</b>
3499057	<b>1001015620</b>	4099150	<b>652541</b>	4399134	<b>660757</b>
3499058	<b>1001161239</b>	4099151	<b>652542</b>	4399135	<b>600121</b>
3499059	<b>1001015622</b>	4099160	<b>1000049325</b>	4399139	<b>1000623977</b>
3499060	<b>1001004144</b>	4099163	<b>B300652</b>	4399140	<b>630051</b>
3499061	<b>1001013603</b>	4099177	<b>1000134018</b>	4399143	<b>1001181161</b>
3499062	<b>1001161278</b>	4099180	<b>1000174286</b>	4399144	<b>B509923</b>
3499067	<b>1001327197</b>	4099188	<b>1000174251</b>	4399145	<b>B290215</b>
3499071	<b>1000541645</b>	4099189	<b>B222987</b>	4399146	<b>1000948088</b>



**5**

**PART NUMBER CROSS**

**Mack**

This listing shows parts that are similar in physical interchangeability and function. Cross reference lists should not be used as application guides. Please refer to the proper listing in the applications section for specific make and model recommendations.

KYSOR	
Kysor Number	Bergstrom Number
4399147	<b>444700</b>
4399149	<b>650656</b>
4399158	<b>B300648</b>
4399167	<b>600157</b>
4399173	<b>1002206590</b>
4420001	<b>1000230792</b>
4420009	<b>1000285448</b>
4430001	<b>1001276274</b>
4430006	<b>1001276271</b>
4430007	<b>1001275456</b>
4430008	<b>1001275466</b>
4475003	<b>1000168452</b>
4475004	<b>1000230502</b>
4475005	<b>1000230729</b>
4475006	<b>1000230085</b>
4475010	<b>1000493450</b>
4475013	<b>1000184211</b>
4475015	<b>B300222</b>
4475023	<b>1000183201</b>
4475028	<b>1000234569</b>
4475035	<b>1000555432</b>
4475036	<b>1001016645</b>
4475039	<b>1001826308</b>
4475040	<b>1001826308</b>
4475043	<b>520453</b>
4475044	<b>600283</b>
4475046	<b>651462</b>
4475047	<b>1000044640</b>
4475052	<b>1000224619</b>
4475052	<b>1000235880</b>
4475053	<b>1000235371</b>
4475053	<b>1000241452</b>
4475054	<b>1000235954</b>
4475055	<b>1000236036</b>
4475057	<b>1000247777</b>
4475058	<b>1000247778</b>
4475059	<b>1000247779</b>
4475061	<b>B202303</b>
4475063	<b>B300571</b>
4475064	<b>B360692</b>
4475066	<b>1000493450</b>
4475069	<b>1001016645</b>
4475070	<b>1001016645</b>
4480002	<b>520513</b>
4480003	<b>520832</b>
4480004	<b>559506</b>
4480017	<b>1000063838</b>
4480022	<b>1000135092</b>
4480027	<b>1000149435</b>
4480050	<b>1000571136</b>
4480057	<b>1000338843</b>
4480060	<b>1000345678</b>
4480071	<b>1000571136</b>
4480081	<b>1000631209</b>

KYSOR	
Kysor Number	Bergstrom Number
4480083	<b>1000641929</b>
4480091	<b>1000830137</b>
4480099	<b>1000947181</b>
4480101	<b>1000948225</b>
4499087	<b>1000611575</b>
4499091	<b>1000564554</b>
4499092	<b>1000439603</b>
4499095	<b>1000390653</b>
4499100	<b>1000168631</b>
4499101	<b>1000185196</b>
4499102	<b>1000186017</b>
4499103	<b>1000214538</b>
4499109	<b>1000309829</b>
4499115	<b>1001592577</b>
4499126	<b>1000927737</b>
4499131	<b>1002493430</b>
4499143	<b>1000694101</b>
4499147	<b>1001029579</b>
4810001	<b>1002379748</b>
4810002	<b>1002386000</b>
4810003	<b>1002364849</b>

MACK	
Mack Number	Bergstrom Number
15536494	<b>B221670</b>
15536497	<b>580124</b>
15536500	<b>570120</b>
15536502	<b>580125</b>
85142450	<b>1000346064</b>
85142450	<b>1000346064</b>
85142451	<b>1000348310</b>
1MR2404M	<b>650627</b>
1MR3571	<b>650419</b>
1MX41281	<b>650487</b>
206RD51M	<b>1000039652</b>
206RD53M	<b>1000381584</b>
210RD39303	<b>B402565</b>
210RD411M	<b>1000699302</b>
210RD413M	<b>525693</b>
210RD418	<b>1000625364</b>
210RD428	<b>1000699298</b>
221RD312	<b>1001479504</b>
221RD32	<b>1001478804</b>
221RD32	<b>1001479521</b>
221RD32	<b>B402496</b>
221RD327	<b>1001451908</b>
221RD328	<b>1001451908</b>
221RD335	<b>1001451776</b>
2MR2014	<b>651150</b>
3230-224765	<b>203133</b>
3543-H9631	<b>1001276674</b>

MACK	
Mack Number	Bergstrom Number
3543-H9638	<b>1001272970</b>
3543-R0442001	<b>1000475399</b>
3543-T4935001	<b>1001448066</b>
4379-RD310615	<b>529800</b>
4379-RD473060P	<b>1001345260</b>
4379-RD5146450P	<b>1001321949</b>
4379-RD5146450P	<b>1001410921</b>
4379-RD5146450P	<b>1001400136</b>
4379-RD536470	<b>650441</b>
4379-RD5453124	<b>650476</b>
4379-RD546400	<b>650448</b>
4379-RD546941	<b>650438</b>
4379-RD551210	<b>203212</b>
4379-RD554350	<b>203211</b>
4379-RD556010	<b>510046</b>
4379-RD566510	<b>510035</b>
4379-RD575230	<b>550253</b>
4379-RD575240	<b>550252</b>
4379-RD582030	<b>203213</b>
4379-RD587852	<b>1001216759</b>
4379-RD591000	<b>203255</b>
7787-1000038693	<b>1002823344</b>
7787-1000132208	<b>1000132208</b>
7787-1000163931	<b>1000163931</b>
7787-1000183201	<b>1000183201</b>
7787-1000230792	<b>1000230792</b>
7787-1000259751	<b>1000259751</b>
7787-1000270409	<b>1000270409</b>
7787-1000285448	<b>1000285448</b>
7787-1000300919	<b>1000300919</b>
7787-1000303268	<b>1000303268</b>
7787-1000303297	<b>1000303297</b>
7787-1000310183	<b>1000310183</b>
7787-1000348812	<b>1000348812</b>
7787-1000348813	<b>1000348813</b>
7787-1000365536	<b>1000365536</b>
7787-1000368105	<b>1001487647</b>
7787-1000493450	<b>1000493450</b>
7787-1000611575	<b>1000611575</b>
7787-1001016645	<b>1001016645</b>
7787-1001275456	<b>1001275456</b>
7787-1001276271	<b>1001276271</b>
7787-1001276274	<b>1001276274</b>
7787-1001330147	<b>1001826308</b>
7787-1001330451	<b>1001330451</b>
7787-1001330466	<b>1001330466</b>
7787-1001443378	<b>1001443378</b>
7787-1001447917	<b>1001447917</b>
7787-1001592577	<b>1001592577</b>
7787-1001756154	<b>1001756154</b>
7787-202520	<b>202520</b>
7787-519714	<b>519714</b>
7787-525048	<b>525048</b>
7787-525588	<b>525588</b>

## Motor Products

5

PART NUMBER CROSS

This listing shows parts that are similar in physical interchangeability and function. Cross reference lists should not be used as application guides. Please refer to the proper listing in the applications section for specific make and model recommendations.

MACK		MACK		MODINE	
Mack Number	Bergstrom Number	Mack Number	Bergstrom Number	Modine Number	Bergstrom Number
7787-525784	525784	7787-B275165	B275165	1E4582	1000699320
7787-525812	525812	7787-B360157	B360157	1E6068	1000039661
7787-530006	530006	7787-B360157	B360157	1S1430920000	160198
7787-540021	1001443384	7787-B360400	B360400	1W11568	1000617180
7787-540293	540293	7787-B360400	B360400	1X0000760000	510061
7787-550159	550159	7787-B360480	B360480	3S011589	1000222438
7787-564700	580124	7787-B380032	B380032	3W2243080000	1000206325M
7787-580125	580125	7787-B380032	B380032	3W2243090000	1000207046M
7787-591530	591530	7787-B400074	B400074	3X010018	1000213242
7787-600187	600187	7787-B401102	B401102	3X0111710000	1000213241
7787-630051	630051	7787-B404028	B404028	5X000140	540018
7787-650086	650086	7787-B404028	B404028	5X0100070000	1000220149
7787-650163	650163	7787-B404220	B404220	5X0100839983	1000213522
7787-650656	650656	7787-B404220	B404220	5X0103430000	1000299874
7787-650657	650657	7787-B513988	B513988	5X010735	1000142451
7787-650668	650668	793-25150	525742	5X0121639983	203361
7787-650882	650882	7979-170145	B170145	5X0126200000	1000593047
7787-650983	1000925735	7979-170145	B170145	5X0133010000	1000220935
7787-651259	1000593043	7979-220268	B220268	5X0133170000	1001489683
7787-651261	1000593044	7979-220990	B220990	5x0135420000	1000206429
7787-651383	651383	7979-220990	B220990	5X0135420000	1001520651
7787-652100	652100	7979-260570	B260570	5X0137220000	1000220907
7787-652100	652100	7979-260570	B260570	5X0138170000	1000206466
7787-652541	652541	7979-275102	203179	5X0139970000	1000206510
7787-652541	652541	7979-275102	203179	5X0140070000	1000207213
7787-660827	660827	7979-275130	B275130	5X0140080000	1000211175
7787-756360C	756360C	7979-275130	B275130	5X0140560000	1000207781
7787-869048	869048	7979-275152	B275152	5X0141010000	1000207216
7787-869048	869048	7979-275152	B275152		
7787-869223	869223	7979-360223	B360223		
7787-869223	869223	7979-360448	B360448		
7787-869224	869224	7979-360448	B360448		
7787-869224	869224	7979-380076	B380076		
7787-869445	869445	7979-380076	B380076		
7787-869445	869445	7979-400052	B400052		
7787-880011	1000149542	7979-401024	B401024		
7787-890063	890063	7979-402352	540104		
7787-890063	890063	7979-402352	540104		
7787-890071	890071	7979-404279	B404279		
7787-890071	890071	7979-404279	B404279		
7787-890077	890077	7979-B404075	B404075		
7787-890077	890077	7979-B404075	B404075		
7787-B173090	B173090	7979-B404274	1000948102		
7787-B173090	B173090	7979-B404274	1000948102		
7787-B220001	B220001	7979-B409017	B409017		
7787-B221104	B221104	7979-B409017	B409017		
7787-B221107	B221107	7979-B409049	B409049		
7787-B265330	B265330	BSM1000041921	1000041921		
7787-B265330	B265330	BSM1000042067	1000042067		
7787-B265600	B265600	BSM1000342540	1000342540		
7787-B265600	B265600	HV30644	869619		
7787-B275140	B275140	HV30644	869619		
7787-B275140	B275140	IMX246	650496		
7787-B275165	B275165	IMXA1279	650485		

MOTORCRAFT	
Motorcraft Number	Bergstrom Number
YF2159	526110
YF-2236	526112
YG346	540018
YL-2231	650869

MOTOR PRODUCTS	
Motor Products Number	Bergstrom Number
PF23058Q	203179
PF23058QA	B275102
PF23058RA	B275202
PF24088Q	B275130
PF24122R	B275232
PF24128Q	B275165
PF24128R	B275265
PF24171Q	203066
PF24172Q	203067
PF24194Q	B275190
PF26054Q	B275156
PF26055Q	B275158



800.499.6849 • shop.bergstrominc.com

599

**5**

**PART NUMBER CROSS**

**Omega**

This listing shows parts that are similar in physical interchangeability and function. Cross reference lists should not be used as application guides. Please refer to the proper listing in the applications section for specific make and model recommendations.

MOTOR PRODUCTS	
Motor Products Number	Bergstrom Number
PF26055R	B275258
PF2638R	B275254
PF27057Q	203142
PF28102Q	205840
PH24011Q	205780
PH24012Q	203115
PH24030Q	203139
PH26013Q	203072
PH26022Q	203255
PH27005Q	203080
PH27006Q	203090
PJ24011Q	1000039644
PJ24058R	203208
PJ26098R	B275258
PJ26112Q	B275158
PM27005Q	203080
PM27006Q	203090
PM27008Q	205853
WW22052R	B275266
WW22071Q	202270
WW22072Q	202520
WW24100Q	201930
WW24100R	201930
WW24120Q	203020
WW26060Q	203088
WW29050Q	203335

MURRAY	
Murray Number	Bergstrom Number
204002	550993
207006	570120
207010	580125
207012	580210
207068	B404097
207073	1000948098
207419	890072
207421	B220743
207500	650649
207513	650476
207524	B404019
207530	B404075
208301	540104
208316	540059
208385	540111C
208480	540107C
208902	203156
208905	203335
208995	203132
209011	B275266
209101	529800
277814	869619

MURRAY	
Murray Number	Bergstrom Number
277939	B315000
277942	B311000
277943	B312000
277944	B314000
936130	540078C

OGURA	
Ogura Number	Bergstrom Number
220417	B221005
501939	1000139242
502409	650487
515528	650547
522584	1000139299
MAE-6AR	1000139242
MAE-MG01	1000139299

OMEGA	
Omega Number	Bergstrom Number
20-04018	1001321603
20-04039	1000052427
20-04039	1000139472
20-04039-AM	1000052427
20-04039-AM	1000139472
20-04039-S	1000139472
20-04040	1000052431
20-04040-AM	1000052431
20-04042	1000141300
20-04042-S	1000141300
20-04042-S	1000141300
20-04075	1000145382
20-04077	1000141300
20-04078	1000141363
20-04079	1000194450
20-04080	1000141380
20-04081	1000141423
20-04082	1000039646
20-04083	1000141434
20-04084	1000600468
20-04090	1000163318
20-04117	1000872711
20-04271	1001249654
20-04307	1000322061
20-04314	1001249691
20-04314-AM	1001249691
20-04326	1000381584
20-04326	1000872633
20-04347	1000141284
20-04347	1000872619
20-04347-AM	1000141284

OMEGA	
Omega Number	Bergstrom Number
20-04384	1000873181
20-04398	1000141423
20-04398, 20-04081	1002396857
20-04405	1001202145
20-04418	1000451085
20-04418	526445
20-04418-AM	526445
20-04465	1001250650
20-04473	526461
20-04479	1001256651
20-04479-AM	1001256651
20-04484	526441
20-04485	526435
20-04485-AM	526435
20-04485-S	526435
20-04488	525989
20-04490	1000139553
20-04493	1002026901
20-04493	526488
20-04493-AM	1002026901
20-04493-AM	526488
20-04493-S	1002026901
20-04493-S	526488
20-04494	1001932834
20-04494	1000145387
20-04494-AM	1001932834
20-04603	1000165306
20-04603	526357
20-04608	1001256654
20-04609	1001256639
20-04609-AM	1001256639
20-04618	526437
20-04618-AM	1000145382
20-04618-AM	526437
20-04659	526506
20-04667	1000163318
20-04667	525997
20-04667	526495
20-04672	1000870952
20-04694	525989
20-04705-Q	526397
20-04718	526482
20-04726	1001322225
20-04726-AM	1001322225
20-04739	526497
20-04752	525993
20-04756	525992
20-04776	1000042346
20-04796	1000537625
20-04802-AM	1000872650
20-04803	1002411890
20-04815	1000004842
20-04815-AM	1000004842
20-04815-S	1000004842





This listing shows parts that are similar in physical interchangeability and function. Cross reference lists should not be used as application guides. Please refer to the proper listing in the applications section for specific make and model recommendations.

OMEGA		OMEGA		OMEGA	
Omega Number	Bergstrom Number	Omega Number	Bergstrom Number	Omega Number	Bergstrom Number
20-04818	526435	20-47245	1001202129	26-13040	203156
20-04822	526066	20-47245-HP	1001202129	26-13056	205780
20-04883	1000039652	21-10207	540388	26-13056	B275156
20-04883-AM	1000039652	21-10207-AM	540388	26-13092	203284
20-07804	526487	21-10208	540389	26-13115	201520
20-09970	525901	21-10208-AM	540389	26-13115	B275130
20-09973	525899	21-24804	550367	26-13118	B275152
20-09977	1000223285	22-11023	1000139242	26-13118	B275181
20-09978	525989	22-11023-AM	1000139242	26-13190	203132
20-10068	525693	22-11096	650487	26-13251	1000132642
20-10069	526051	22-11289	1000139299	26-13251	1000255724
20-10071	525723	22-11289-AM	1000139299	26-13251	203342
20-10071-AM	525723	22-20209	650547	26-13260	203249
20-10077	1000139585	22-22496	1001400136	26-13260	B275140
20-10081	525774	22-22496-AM	1001410921	26-13265	203335
20-10089	525997	22-22529-AM	1001410931	26-13277	203179
20-10097	B402842	22-22530-AM	1001410935	26-13290	203356
20-10097-AM	B402842	24-14678	1000699320	26-13290-AM	203356
20-10151	525698	24-30278	1000699312	26-13306	203168
20-10183	1000223277	24-30295	1000699304	26-13350	203186
20-10186	1000223285	24-30296	1000699317	26-13351	203061
20-10186-AM	1000223285	24-30474	1000617180	26-13352	B275165
20-10206	525856	24-30505	1000699302	26-13355	890067
20-10235	525952	24-30525	1000699306	26-13475	1000142451
20-10246	525917	24-30528	1000625364	26-13475	203361
20-10298	525858	24-30535	1000699305	26-13481	1000169966
20-10330	525742	24-30536	160198	26-13481	202270
20-10359	526397	24-33650	1001345260	26-13481	202520
20-11288	1001202121	24-33651	1000626834	26-13485	1000046149
20-14093	1001321790	24-33651	1001188179	26-13927	1000477193
20-14419	1000969524	24-33655	1000305593	26-14500-D	203336
20-14419	526367	24-33656	1000305690	26-14508	203212
20-14420	1000449225	24-33659	1001345354	26-14532	B274284
20-14420	526368	24-33696	1001345364	26-14535	B275240
20-14420	1000164653	24-50288	1000699318	26-14535	B275241
20-14434	526395	24-50318	1000039661	26-14556	B275140
20-14434	1000164828	24-50521	1001493206	26-14557	B275141
20-14435	526396	24-50529	1000699298	26-14564	B275266
20-14435	1000164831	24-51200	1000624642	26-14574	203133
20-14604	1001255095	24-51200	1001275785	26-14583	890050
20-14604-AM	1001255095	24-54028	1000625091	26-14606	890099
20-14779	526498	25-10030	869350	26-14609	1001582686
20-14862	1000165210	25-11112	1002477045	26-14635	1000477197
20-14862	526372	25-14545-S	1002478731	26-14636	1001587278
20-14864	526374	25-14854-S	1002479122	26-14637	203088
20-14864	1000165249	25-14863-T	1002479301	26-14638	203066
20-14868	526378	25-14898	1001216759	26-14642	203020
20-18112	1001374173	26-10007	868013	26-19948	1000427320
20-22496-AM	1001321949	26-10007	868790	26-19970	869701
20-45057	B402827	26-10010	203368	26-19983	519703
20-46011	525968	26-10017	1001276674	26-19984	1001612436
20-46234	525979	26-12445	651186	26-19989	1001616296
20-46234-AM	525979	26-13001	1001266966	26-19998	203268
20-47244	526408	26-13040	1001266966	26-R0612	203139



800.499.6849 • shop.bergstrominc.com

601

**5**

**PART NUMBER CROSS**

**Omega**

This listing shows parts that are similar in physical interchangeability and function. Cross reference lists should not be used as application guides. Please refer to the proper listing in the applications section for specific make and model recommendations.

OMEGA	
Omega Number	Bergstrom Number
26-R4322	203090
26-R4322	203134
26-R4322	205840
27-19516	1000213241
27-19516	1000213242
27-19517	151328M
27-33862-AM	1000475399
27-33871-AM	1000477479
27-33929	151346
27-52660	1000477648
27-52662	1000039688
27-52663	1000039686
27-52665	108409
27-52669	1001275789
27-56948	1000207046M
27-59007	108245
28-71702	B360312
28-71704-M	B360208
29-11005	591520
29-11815	B221005
29-12908	B220300
29-12918	652090
29-21901	650657
29-21902	B221503
29-21905	890072
29-21914	B220743
29-21915	650438
29-30002	B404097
29-30033	B404093
29-30066	650661
29-30135	1000250288
29-30140	B404284
29-30143	651332
29-30162	650606
29-30621	1001513275
29-30706	650869
29-30730	650870
29-30734	650633
29-33137	651323
29-33148	650607
29-35700	650086
29-40004	650199
29-40004	650254-S
29-40004-F	650199
29-40004-F	650254-S
29-40006	650199
29-40006	650254-S
29-R0010	B221005
29-R0200	650645
30-10406	1000925735
30-13300	652420
30-13311	650731
30-13317	651150
30-13319-P	B222166

OMEGA	
Omega Number	Bergstrom Number
30-13412	650731
30-13412	651069
30-13412	651459
30-13420	B222973
31-10716	1000299874
31-10810-AM	1001478801
31-10902-AM	1001443794
31-10908	B404292
31-10931-AM	1001465619
31-10941-AM	1001443809
31-10951-AM	1001443780
31-10960-AM	1001489790
31-10971-AM	1001443777
31-12127-AM	1001443787
31-30901	540293
31-30901-AM	1000300919
31-30901-P-AM	1001449683
31-30901-P-AM	540035
31-30901-P-AM	1000300919
31-30912-AM	1001443391
31-30912-AM	589500
31-30918-AM	1001443376
31-30918-AM	013359
31-30927	540293
31-30927-AM	1001443384
31-30927-AM	1001465094
31-30937-AM	1001443810
31-30940-AM	1001468090
31-30954-AM	1001443774
31-30956-AM	1001468089
31-30998-AM	1001443807
31-31009-AM	1001443802
31-31010-AM	1001443803
31-31018-AM	1000039683
31-31019	540383
31-31019-AM	540383
31-31020-AM	1000039685
31-31021-AM	1000021106
31-31025	1001445635
31-31026-AM	1000293542
31-31026-AM	1001443771
31-31026-AM	1000293538
31-31043	1001448060
31-31047-AM	540454
31-31061-AM	1001465631
31-31214	1001443793
31-31214	1000308676
31-31234	1000122061
31-31234	1000207213
31-31234	1000477612
31-31243	1001445648
31-31257	1000477644
31-31257	1000477674
31-31261	1001448066

OMEGA	
Omega Number	Bergstrom Number
31-31269	1000039681
31-31269-AM	1000039681
31-31334	1001404629
31-31335	1001443769
31-31345	1001276615
31-31350	1001398381
31-31354	1000617672
31-31369	1000227147
31-31377	1001276615
31-31391	1001465662
31-31399	1000352807
31-50001	525712
31-50002	540265
31-50003	540018
31-50004	540267
31-50005	540266
31-50006	540268
31-50008	540364
31-60004-AM	869619
31-60005	869281
31-60009	540294
31-60034	540024
31-60048	869621
31-60103	1000477176
31-60151	869595
31-9056-AM	540035
32-10901	650649
32-10902	B404028
32-10903	B404075
32-20901	650476
32-20912	650195
32-20913	525335
32-20913	650511
32-30914	B404089
32-30915	650149
33-20004	651980
33-31917	650179
33-31920	B221670
33-31921	650790
33-31921	B220990
33-31923	650823
33-31950	650177
33-31951	650441
33-31952	1000206429
33-31952	1001520651
33-31982	651203
33-31999	651013
35-10045-3Q	540217
35-11102	550993
35-12024-3	540225
35-12025-3HF	550424
35-12032-3	540209
35-12037-3	540226
35-16362-S	550284



This listing shows parts that are similar in physical interchangeability and function. Cross reference lists should not be used as application guides. Please refer to the proper listing in the applications section for specific make and model recommendations.

OMEGA		OMEGA		OMEGA	
Omega Number	Bergstrom Number	Omega Number	Bergstrom Number	Omega Number	Bergstrom Number
35-50003	550388	37-13477-AM	1001452040	37-19003-AM	1000281228
35-50004	550386	37-13478	1001453456	37-19797	1001450636
35-B1304	B409025	37-13478-AM	1001453456	37-19797	526333C
35-B1306	B409027	37-13486	1001478794	37-19837	1001451908
35-B1312	B409009	37-13498	540060	37-19885	1001053396
35-B1322-3	B409016	37-13511	540059	37-19888	1001450427
35-B1323-3	B409017	37-13522	540062	37-19890	1001450661
35-B1324	B409003	37-13539	1000007893	37-19890	1000812369
35-B1401	B409013	37-13539-AM	1001451771	37-19894	1000812426
35-B1423	B409041	37-13541-AM	1001453427	37-19895	1001860902
35-B6101	550414	37-13556-AM	1001478804	37-19895	1000298975
35-EZ1302-3	550672	37-13558-AM	1001452030	37-19903	540072C
35-EZ6209	551171	37-13559-AM	1001452029	37-23408	526110
35-H1909	869193	37-13572-AM	1001451776	37-23438	526112
35-R1404-STL	B409015	37-13575-AM	1001450363	37-23505	1001451954
35-S1301	B409022	37-13576-AM	1001450393	37-23539-AM	1001451959
35-S1302	B409023	37-13576-AM	540072C	37-23539-AM	525985C
35-S1321	B409000	37-13595	540078C	37-R1756	540059
35-S1322	B409001	37-13595-AM	1001451454	40-02503-B25	580124
35-S1403	B409014	37-13596-AM	1001450386	40-10241	580106
35-S1803	B409097	37-13607-AM	1001479504	40-10257	580108
35-S6102	B409055	37-13611-AM	1001450357	40-10263	550253
35-S6103	B409056	37-13646-AM	1001452332	40-10264	550252
35-S6104	B409057	37-13650-AM	1000622970	40-52723	530381
35-S6602	1001338301	37-13651	1001452409	41-50038	1000531458
35-S6603	1001338564	37-13711-AM	1001453455	41-90374	550397
37-00193-AM	1001452358	37-13720-AM	1001450425	41-90377	550403
37-00194-AM	1001453083	37-13720-AM	1000039695	41-90382	550508
37-10802-K	540104	37-13736-AM	540121	41-90382	551354
37-10839-AM	1001453429	37-13740-AM	1001478797	41-91046	525860
37-10852	1002089977	37-13933	540107C	73-R0962	203213
37-10858-AM	1001453097	37-13954	540127C	98-01100	1000331105
37-10860-1	1001264936	37-13954-AM	1001450631	98-01101	1000841164
37-10862-AM	540094	37-13954-AM	540127C	98-01103	525507
37-10863-AM	1001429706	37-13988-AM	1001452318	98-01107	1000883432
37-10868	1001452361	37-13991	540433C	98-01109	1000220149
37-10870	1001452359	37-13991-AM	1001450408	98-10001	520217
37-10871	1001264912	37-13991-AM	540433C	98-10002	525249
37-10871-AM	1001264912	37-13994-AM	1001450396	98-10006	525828
37-10872-AM	1000554489	37-13995	1000259983	DISCONTINUED	650117
37-10872-AM	1001479521	37-13995-AM	1000259983	E95-4081	650871
37-10886	1001452336	37-13995-AM	1001452327	MT0056	580099
37-10934	1001452028	37-13998-AM	1001478811	MT0064	550403
37-10934	1000259981	37-13998-AM	1002447375	MT0223	651150
37-10935	1001452027	37-13998-AM	1002614241	MT0475	651150
37-10935	1000259980	37-14002-AM	1001453765	MT0532	651150
37-13239	540111C	37-14006-AM	1001453433	MT1253	890072
37-13445-AM	1001450297	37-14009	1000477649	MT1363	650477
37-13457	1001451952	37-14011	1000812369	MT18500	1000593045
37-13457-AM	1001451952	37-14012	1001450645	MT18504	1000593044
37-13459-AM	B402562	37-14329-AM	1001452021	MT1907	651332
37-13464-AM	1001479516	37-14329-AM	1000259984	MT1924	650871
37-13469	B402496	37-18035	1001452347		
37-13469-AM	1001452033	37-19003	1000281228		



800.499.6849 • shop.bergstrominc.com

603

**5**

**PART NUMBER CROSS**

**Parker**

This listing shows parts that are similar in physical interchangeability and function. Cross reference lists should not be used as application guides. Please refer to the proper listing in the applications section for specific make and model recommendations.

OSHKOSH	
Oshkosh Number	Bergstrom Number
1394420	<b>540059</b>
1564660	<b>B360312</b>
1639460	<b>B290247</b>
1969290	<b>B170145</b>
2081590	<b>B404279</b>
2081600	<b>B404277</b>
2158020	<b>B360561</b>
2203050	<b>1002106849</b>
2203050	<b>B405430</b>
2275730	<b>B360715</b>
2656617	<b>B315000</b>
3418328	<b>B411271</b>
3874054	<b>1000007893</b>
3997867	<b>B404278</b>
90005143	<b>B311000</b>
17BH1	<b>1000132208</b>
1KA9	<b>B404292</b>
2AL247	<b>B404097</b>
2AL267	<b>B265600</b>
2AL396	<b>B360400</b>
2AL414	<b>B260680</b>
2AL415	<b>B300242</b>
2AL419	<b>B360208</b>
2AL714	<b>B260170</b>
2AL732	<b>B221670</b>
2AL738	<b>540035</b>
2BV318	<b>B275152</b>
2CC446	<b>B380032</b>
2CC447	<b>650657</b>
2CC451	<b>B380053</b>
2CC455	<b>B509923</b>
2CC498	<b>B300222</b>
2CC499	<b>B404145</b>
2CC503	<b>B275254</b>
2CP777	<b>B220990</b>
2CS677	<b>B265605</b>
2EH269	<b>B203819</b>
2EK268	<b>B380087</b>
2ET361	<b>B275140</b>
2FF883	<b>B509185</b>
2HK452	<b>B200308</b>
2HP932	<b>B360274</b>
2HP937	<b>622290</b>
2HS40	<b>B411193</b>
2HS870	<b>B380076</b>
2HS872	<b>B222647</b>
2HS876	<b>B360783</b>
2HS877	<b>585520</b>
2MB166	<b>B312000</b>
3MB402	<b>B260171</b>
545SH40	<b>B354011</b>
545SH57	<b>B275130</b>
5HA907	<b>E525076</b>
5HR434	<b>B275190</b>

OSHKOSH	
Oshkosh Number	Bergstrom Number
630KH191	<b>B404019</b>
630KH207	<b>B280354</b>
6HA344	<b>203115</b>
6HA709	<b>B380100</b>
6HA715	<b>E525082</b>
6HA719	<b>B222975</b>
6HA744	<b>650163</b>
6HA745	<b>1000593044</b>
6HA746	<b>652420</b>
6HA757	<b>1001616296</b>
6HA763	<b>1000593042</b>
9HS162	<b>B275158</b>
9HS163	<b>B275258</b>
9HS163	<b>B275258</b>

PARKER	
Parker Number	Bergstrom Number
204377	<b>1000309829</b>
031131-02	<b>1001489790</b>
031134-03	<b>1001443794</b>
031134-114	<b>B404292</b>
031134-120	<b>1001443777</b>
031134-129	<b>1001443780</b>
031134-137	<b>1001465619</b>
031134-138	<b>B404292</b>
031134-156	<b>1001443809</b>
031134-25	<b>1001443787</b>
031134-25	<b>1000299874</b>
040138-123	<b>1001449683</b>
040138-129M	<b>1001468089</b>
040138-132	<b>1001443391</b>
040138-138	<b>589500</b>
040138-142	<b>1001468090</b>
040138-144	<b>1001443807</b>
040138-152	<b>1001443384</b>
040138-152M	<b>540293</b>
040138-401	<b>1000039683</b>
040138-402	<b>540383</b>
040138-403	<b>1000039685</b>
040138-404A	<b>1000021106</b>
080660-00	<b>550182</b>
085108-00	<b>B404097</b>
085189-00	<b>B402618</b>
085274-00	<b>B402562</b>
085743-00	<b>1001453433</b>
088037-00	<b>1001478804</b>
088048-00	<b>540107C</b>
088056-02	<b>540094</b>
088115-00	<b>B402496</b>
088116-00	<b>540121</b>
088133-00	<b>540078C</b>

PARKER	
Parker Number	Bergstrom Number
088209-03	<b>1001453456</b>
088248-02	<b>540111C</b>
088250-01	<b>1001478794</b>
088271-00	<b>1001429706</b>
088273-00	<b>1002089977</b>
088360-00	<b>540059</b>
088378-00	<b>540127C</b>
088411-00	<b>1001452332</b>
088415-00	<b>540241</b>
088423-01	<b>1001479521</b>
088436-01	<b>1001453765</b>
088489-00	<b>1002106141</b>
088535-00	<b>540072C</b>
088539-00	<b>540433C</b>
088599-01	<b>1001452358</b>
089248-00	<b>526110</b>
249099-10	<b>540104</b>
329-403	<b>1001465094</b>
329-404	<b>1001443791</b>
329-413	<b>1001465631</b>
329-447	<b>1001443391</b>
329-491	<b>1001443793</b>
329-491	<b>1000308676</b>
329-495	<b>1001449683</b>
329-497C	<b>540035</b>
329-499	<b>1001468089</b>
700075-S	<b>525985C</b>
829-093	<b>1000039685</b>
829-099	<b>540383</b>
829-101	<b>1000021106</b>
929-493	<b>1001443376</b>
929-496	<b>1001443810</b>
929-503B	<b>1001443803</b>
929-505A	<b>1001443771</b>
929-506A	<b>1001443774</b>
929-507B	<b>1001443802</b>
B71093A-73184	<b>650199</b>
PH336450	<b>1000039445</b>
PH556450	<b>1000039471</b>
PH668450	<b>1000039483</b>
PH720450	<b>1000039492</b>
V405P-6-6	<b>540309</b>
V405P-6-8	<b>540310</b>
VSSV404P-10-8	<b>869187</b>
VSSV404P-12-8	<b>540085</b>
WSG164FO	<b>1001452361</b>
WSG-164MOI	<b>1001264912</b>
WSG-304MOI	<b>1001264936</b>

# Red Dot Aftermarket

5

PART NUMBER CROSS

This listing shows parts that are similar in physical interchangeability and function. Cross reference lists should not be used as application guides. Please refer to the proper listing in the applications section for specific make and model recommendations.

PETERBILT	
Peterbilt Number	Bergstrom Number
525838	525838
1000390653	1000390653
1000038693BSM	1002823344
1000163931BSM	1000163931
1000230792BSM	1000230792
1000259751BSM	1000259751
1000270409BSM	1000270409
1000285448BSM	1000285448
1000463486BSM	1001465663
1000534258BSM	1001465662
1001275456BSM	1001275456
1001275466BSM	1001275466
1001276271BSM	1001276271
1001276274BSM	1001276274
1001330451BSM	1001330451
1001330466BSM	1001330466
1001443378BSM	1001443378
1001447917BSM	1001447917
1001756154BSM	1001756154
18-01800	540111C
18-02345	1001478804
18-02346	540094
18-03285	650629
18-03537	756702
18-03619	1001478794
18-03835	651323
18-03837	1001451954
18-04171	1001451959
18-04171	525985C
18-04178	526397
18-04275?	1000300919
18-04291	526497
18-04345	1000220149
18-04373	526441
18-05050	1000198478
1E4582	1000699320
3S011172	1000213242
3S011458	1000206325M
3S011516	1001443769
3S011589	1000222438
3X010983	203361
3X011018	1000207046M
3X011171	1000213241
540057BSM	1001443771
5S013317	1001489683
5S013817	1000206466
5S013997	1000206510
5S014010	1000207216
5X010061	540266
5X010083	1000213522
5X012834	1000593042
5Z014007	1000207213
650459BSM	650459
CCH33P1	650622

PETERBILT	
Peterbilt Number	Bergstrom Number
F37-6000C	1001452327
F37-6002	1001452021
F37-6002	1000259984
F37-6008	1001452027
F37-6009	1001452028
F37-6010	1000259980
F37-6011	1001452028
F37-6011	1000259981
F37-6012	1000259983
F45-1001	F45-1001
F45-1002	F45-1002
F69-1015-141	1001889690
F69-1018	1001889690
F69-6001-121	1000052431
F69-6001-122	1000139472
F69-6003-111	1000141300
F69-6003-112	1002396857
F69-6003-112	1000141423
F69-6003-114	1000163318
F69-6003-121	1000141380
F69-6003-122	1000052427
F69-6003-122	1000194450
F69-6003-141	1000873181
F69-6003-151	1000141363
F90-6000	1000293541
F90-6001	1000293542
P27-6142	1001513275
P93CAA0200-01S	1000593047
P93CAA0300-01S	890050
P93CAA0301-01S	1000142451
P93CAA3100-01S	1000206429
P93CAA3100-01S	1001520651
P93CAB0200-01S	1000593045
P93CAB0400-01S	510061
P93CAB2500	525712
P93CAB2500-01S	540018
P93CAC3900-02S	1001443787
P93CAC3900-02S	1000299874
R0337001	1000305690
R0440001	1000305593

PITTS	
Pitts Number	Bergstrom Number
7931	650487
14190	650487
14262	650487
14196-3	650547

QUE	
Que Number	Bergstrom Number
QP15-1152	525917
QP15-1153	525952
QP16-1180	525968
QP16-1206	525979
QP21-1562	526408
QP21-1657	1001202129
QP4326	1000381584
QP4326	1000872633
QP4347	1000141284
QP4347	1000872619
QP4384	1000873181
QP4475	525992
QP4672	1000870952
QP4802S	1000872650
QP7H15-4420	526368
QP7H15-4420	1000164653
QP7H15-4424	1000139472
QP7H15-4493	1002026901
QP7H15-4626	1000139585

RED DOT AFTERMARKET	
Red Dot Aftermarket Number	Bergstrom Number
70R2011S	B409056
70R2012S	B409057
70R2016	550414
70R2016S	550414
70R2018S	B409055
70R4001S	550979
70R4006	550966
70R4206	550992
70R4208	550993
70R4301S	B409014
70R4306S	B409013
70R4391S	B409041
70R4398S	B409094
70R4402S	B409025
70R4406S	B409022
70R4408S	B409023
70R4448S	B409009
70R4492S	B409003
70R4496S	B409000
70R4498S	B409001
70R4501S	B409097
70R4506S	B409086
70R4601S	B409028
70R4608S	B409027
70R4646S	B409100
70R4701S	B409015
70R4706S	B409091
70R5005	550367
70R5020	525674



800.499.6849 • shop.bergstrominc.com

5

PART NUMBER CROSS

## Red Dot Aftermarket

This listing shows parts that are similar in physical interchangeability and function. Cross reference lists should not be used as application guides. Please refer to the proper listing in the applications section for specific make and model recommendations.

RED DOT AFTERMARKET		RED DOT AFTERMARKET		RED DOT AFTERMARKET	
Red Dot Aftermarket Number	Bergstrom Number	Red Dot Aftermarket Number	Bergstrom Number	Red Dot Aftermarket Number	Bergstrom Number
70R5022	1000039205	70R8098	550693	70R8711	550774
70R5024	1000039326	70R8198	550694	70R8716	550771
70R5026	1000039333	70R8201	550673	70R8761	550696
70R5031	1000039445	70R8208	550672	70R8781	550781
70R5032	1000039471	70R8211	550729	70R8786	550777
70R5033	1000039483	70R8212	550731	70R8788	550779
70R5034	1000039492	70R8216	550727	70R8791	550689
70R5042	580091	70R8218	550728	70R8796	550685
70R5051	572770	70R8221	550703	70R8798	550687
70R5051	580125	70R8226	550671	70R8801	530382
70R5052	580114	70R82511	550682	70R8802	530383
70R5052	580210	70R8261	550721	70R8806	530380
70R5056	570120	70R8271	550722	70R8808	530381
70R5056	580123	70R8272	550723	70R8821	530386
70R5058	564700	70R8276	550718	70R8822	530387
70R5110	550403	70R8278	550719	70R8826	530384
70R5115	550508	70R8288	550738	70R8828	530385
70R5120	550397	70R8291	550734	70R8881	551201
70R5125	550398	70R8298	550733	70R8996	551259
70R5550	B290214	70R8301	550773	70R9402S	1001580096
70R5600	B290304	70R8302	550775	70R9406S	1001580089
70R5770	B290065	70R8306	550769	70R9408S	552-C043
70R6491S	B409017	70R8308	550772	70R9491S	1001580119
70R6501	B405434	70R8341	550784	70R9496S	1001580116
70R6501	B203846	70R8346	550783	70R9498S	552-C053
70R6506	1002106849	70R8398	550792	71R0010	B221005
70R6506	B405430	70R8506	570120	71R0200	650645
70R6506	B203845	70R8506	580123	71R0400	650644
70R6508	1002106852	70R8508	564700	71R0400	B222013
70R6508	B405431	70R8510	572770	71R0450	650438
70R6598S	B409016	70R8511	551172	71R0460	652090
70R7006	550309	70R8512	580114	71R0460	B221503
70R7100	550972	70R8551	551171	71R0480	650607
70R7100	B330155	70R8556	551167	71R0480	650871
70R7110	525984	70R8558	551168	71R0500	570500
70R7110	B330369	70R8598	550737	71R0600	B220891
70R7150	B330245	70R8601	550667	71R0840	650088
70R7200	869193	70R8602	550669	71R1150	890072
70R7200	B330308	70R8606	550663	71R1160	650657
70R7310	1000039688	70R8608	550665	71R1165	650657
70R7310	B330379	70R8621	550674	71R1200	B220743
70R7310	B405429	70R8641	550681	71R1210	B220300
70R8006	550776	70R8642	550683	71R1450	650441
70R8008	550778	70R8646	550676	71R1450	650790
70R8061	550725	70R8648	550678	71R1455	650823
70R8062	550726	70R8681	550789	71R1457	650179
70R8066	551178	70R8688	550786	71R1460	650177
70R8068	550724	70R8691	550688	71R1460	650477
70R8071	551267	70R8692	550691	71R1467	1000283836
70R8088	551213	70R8696	550684	71R1470	651186
70R8091	550695	70R8701	550668	71R1475	1000555432
70R8092	550697	70R8706	550664	71R1477	1000624505
70R8096	550692	70R8708	550666	71R1610	650471

606



800.499.6849 • shop.bergstrominc.com

## Red Dot Aftermarket

5

PART NUMBER CROSS

This listing shows parts that are similar in physical interchangeability and function. Cross reference lists should not be used as application guides. Please refer to the proper listing in the applications section for specific make and model recommendations.

RED DOT AFTERMARKET		RED DOT AFTERMARKET		RED DOT AFTERMARKET	
Red Dot Aftermarket Number	Bergstrom Number	Red Dot Aftermarket Number	Bergstrom Number	Red Dot Aftermarket Number	Bergstrom Number
71R1620	652100	71R7550	650633	72R6520	1000373641
71R1702	651150	71R7650	650627	72R8250	525614
71R1702	651459	71R8090	1000299874	72R8270	1000875789
71R1702	652420	71R8100	1001465619	72R8280	525615
71R1722	650731	71R8100	B404292	72R9020	B173070
71R2100	B404075	71R8300	1000300919	72R9040	B360312
71R2200	525335	71R8301	1001443791	73R0012	203066
71R2250	B404028	71R8321	1001443384	73R0022	1000132197
71R2300	650649	71R8380	1001404629	73R0022	1000132208
71R2605	650117	71R8380	540293	73R0022	202270
71R2700	650149	71R8400	589500	73R0042	890050
71R2700	B404019	71R8410	540035	73R0054	B274284
71R2800	650149	71R8430	1000293538	73R0142	203088
71R3100	589490	71R8440	1001443376	73R0212	B275166
71R3100	650163	71R8440	013359	73R0232	203249
71R3100	650878	71R8451	1000039683	73R0232	B275140
71R3150	650511	71R8453	540383	73R0322	203211
71R3160	650163	71R8455	540454	73R0402	203133
71R3200	650476	71R8457	1000021106	73R0404	B275241
71R3300	1000021516	71R8465	1000477644	73R0412	869445
71R3300	650195	71R8467	1001443794	73R0422	203132
71R3300	1000340317	71R8477	1000039681	73R0454	B275240
71R3573	890071	71R8500	525712	73R0462	203255
71R3575	1000593047	71R8501	540268	73R0502	203168
71R3577	1000039630	71R8503	540265	73R0552	201520
71R3591	1000593042	71R8504	540266	73R0552	203020
71R4040	B380076	71R8505	540018	73R0572	203156
71R4050	573260	71R8506	540267	73R0612	203139
71R4050	B380061	71R8507	540364	73R0642	203067
71R4060	B380032	71R8507	551131	73R0642	B275190
71R6020	650203	71R8991	600121	73R0652	203249
71R6020	B404123	71R9002	650199	73R0652	B275140
71R6030	1000948101	71R9002	650254-S	73R0702	B275141
71R6030	B404144	72R0070	591510	73R0912	203076
71R6040	650629	72R0200	651154	73R0962	203213
71R6050	B404097	72R0210	650954	73R1002	1000039644
71R6060	B404123	72R0210	651154	73R2102	1001266966
71R6070	650593	72R2105	B360761	73R2102	890063
71R6090	650594	72R2120	869048	73R2142	203284
71R6100	1000948098	72R2140	B360754	73R3002	868790
71R6180	651323	72R2350	585520	73R3022	869701
71R6183	1000250288	72R2550	B360448	73R3032	868013
71R6210	651332	72R2600	B360478	73R3042	868790
71R6220	650944	72R3110	B170145	73R3062	890067
71R6230	B404121	72R3135	E525076	73R3082	203113
71R6260	651187	72R5040	869619	73R3102	869445
71R6270	1000250287	72R5050	869621	73R3112	1000477197
71R6400	650419	72R5060	869310	73R3122	203368
71R6405	650418	72R5500	869281	73R3132	890099
71R7050	650448	72R5600	540294	73R3142	1000142451
71R7073	1000246795	72R5610	540085	73R3142	203361
71R7075	650869	72R6500	869595	73R4062	203179
71R7077	650870	72R6510	1000347338	73R4062	B275102



800.499.6849 • shop.bergstrominc.com

607

5

PART NUMBER CROSS

## Red Dot Aftermarket

This listing shows parts that are similar in physical interchangeability and function. Cross reference lists should not be used as application guides. Please refer to the proper listing in the applications section for specific make and model recommendations.

### RED DOT AFTERMARKET

Red Dot Aftermarket Number	Bergstrom Number
73R4062	B275156
73R4102	203336
73R4162	B275152
73R4182	203061
73R4252	203212
73R4322	205853
73R4422	205840
73R4504	B275202
73R4532	203090
73R5562	203268
73R6230	529800
73R6251	B260720
73R6253	510027
73R6370	510046
73R6381	510035
73R6383	510061
73R7000	B260680
73R7130	589540
73R7201	B360917
73R8080	575080
73R8080	B265605
73R8100	B265600
73R8230	572980
73R8592	1001216759
73R8612	1002478731
73R9054	869852
73R9062	869350
73R9064	756020C
73R9092	869352
74R027	1001429706
74R0455	1001453429
74R0460	1001452332
74R0462	1001452332
74R0470	1001478811
74R0470	1002447375
74R0475	1001452358
74R0480	1001264912
74R0490	1001452361
74R0606	540104
74R0906	1001478801
74R1106	1002089977
74R1427	526024C
74R1706	540060
74R1756	540059
74R1756	540060
74R1806	540062
74R1826	540062
74R2001	1000259983
74R2006	1001452028
74R2006	1000259981
74R2016	1000259984
74R2016	1000259980
74R2106	B402565

### RED DOT AFTERMARKET

Red Dot Aftermarket Number	Bergstrom Number
74R2306	540078C
74R2537	1001479521
74R2546	1000622970
74R2556	1001478804
74R2556	B402496
74R2586	1002106141
74R2590	1001453765
74R2616	1001478794
74R2676	1001451952
74R2677	540121
74R2688	1002614241
74R2706	540111C
74R3060	1001451952
74R3077	1001451776
74R3107	1001452029
74R3120	540433C
74R3126	1001450408
74R3129	1001450396
74R3136	1001451952
74R3306	540094
74R3327	540072C
74R3328	1001450393
74R3328	540072C
74R3346	1001479504
74R3357	1000007893
74R3450	540107C
74R3455	540127C
74R3456	1001450631
74R3476	540127C
74R4028	1001860902
74R4116	1001453097
74R4210	1000039695
74R4215	1001450425
74R4218	1001450427
74R5060	1001451954
74R5061	1001451954
74R5062	1001451959
74R5062	525985C
74R5088	1001450661
74R5090	1000812426
74R5093	526110
74R5095	526112
74R5097	1001450636
74R5097	526333C
74R5405	1001450645
75R0302	650487
75R0402	650487
75R0402	650547
75R0682	1000139299
75R1202	1000139242
75R1342	650547
75R5530	1002487273
75R55540	580108

### RED DOT AFTERMARKET

Red Dot Aftermarket Number	Bergstrom Number
75R5555	550399
75R5556	550401
75R5560	550252
75R5560	550253
75R5560	550393
75R5565	B360874
75R5570	550252
75R5570	550392
75R5575	551112
75R5618	580106
75R5681	540209
75R5731	540217
75R5761	540226
75R5768	540225
75R5819	550388
75R5824	550394
75R5827	550284
75R5829	550386
75R5833	580552
75R5834	540373
75R6000	B416113
75R7290	525742
75R81172	526482
75R81192	1000165306
75R81192	526357
75R81232	526461
75R81252	526487
75R81282	1000042346
75R81302	526435
75R81362	1002026901
75R81362	526488
75R81372	1001932834
75R81372	1000145387
75R81392	526482
75R81502	525997
75R81502	526495
75R81512	1000870952
75R81562	526497
75R81572	526498
75R81592	526506
75R81622	1000039652
75R81632	1000052431
75R81682	526506
75R81762	1000139553
75R82312	1000145382
75R83132	526437
75R8374	525774
75R8382	1000223285
75R8384	1000223277
75R8384	1001249654
75R84112	1001256639
75R84182	525989
75R84192	525993





# Red Dot Factory

5

PART NUMBER CROSS

This listing shows parts that are similar in physical interchangeability and function. Cross reference lists should not be used as application guides. Please refer to the proper listing in the applications section for specific make and model recommendations.

### RED DOT AFTERMARKET

Red Dot Aftermarket Number	Bergstrom Number
75R84212	525992
75R8422	525723
75R8424	B402842
75R84252	526435
75R84292	1000052427
75R84292	1000139472
75R84312	526441
75R8432	1000139585
75R8442	525698
75R84472	525997
75R84472	526495
75R84492	525693
75R8454	525899
75R84552	526051
75R84582	1000870952
75R84592	1001256654
75R84594	1001322225
75R84622	526066
75R8464	525901
75R8512	525856
75R8515	1001356228
75R8522	525858
75R8532	525858
75R8562Q	525979
75R85734	B402827
75R8612Q	525917
75R86322A	1001202129
75R8634	B402827
75R8712Q	525968
75R8752	526397
75R89302	526368
75R89302	1000164653
75R89305	540388
75R89310	540389
75R89334	1000165210
75R89334	526372
75R89352	526374
75R89352	1000165249
75R89372	526378
75R89422	526395
75R89422	1000164828
75R89424	526396
75R89424	1000164831
75R89462	526367
75R89492	1000141380
75R89502	1000141300
75R89522	1000194450
75R89532	1000141363
75R89622	1000039646
75R89632	1000600468
75R89652	1002396857
75R89652	1000141423
75R89662	1000163318

### RED DOT AFTERMARKET

Red Dot Aftermarket Number	Bergstrom Number
75R89752	1000451085
75R89762	1001202155
75R89782Q	525979
75R89852Q	1001249691
75R90572	1002411890
75R9072	1001410935
75R9082	1001321949
75R9082	1001410921
75R9082	1001400136
76R2160	110640M
76R6020	108409
76R6150	151356
76R6960	151328M
77R0355	160198
77R0585	1000624642
77R1277	1000626834
77R1277	1001188179
77R1279	1001345260
77R6957	1000625091
77R6978	1000039661
77R6982	1000305593
77R7708	1000699302
77R7714	1000625364
77R7715	1000699298
77R7717	1000699298
77R8310	1000305690
78R0100	B320000
78R0200	B311000
78R0250	B312000
78R0300	B314000
78R0350	B315000
78R0451	550308
78R0451	550309
78R0451SP	1002301589
78R0452	550310
78R0456	550307
78R0456SP	1002300977
78R0458	550307
78R0458	550308
78R0458SP	1002301587
78R5235	525784
78R5236	525460
78R5242	1000883432
78R5254	526426
78R5256	525313
78R5257	525459
78R5302	525249
78R5304	530633
78R5306	520217
78R5308	525543
78R5308	525838
78R5360	B407387
78R5420	525507

### RED DOT AFTERMARKET

Red Dot Aftermarket Number	Bergstrom Number
78R5430	1000039637
78R5435	1000841164
78R5440	1000841699
78R5455	1000206466
78R5460	1000220149
78R8451	1002080687
78R8451SP	1002290824
78R8452	1002080699
78R8452SP	1002292110
78R8452SP	1002300976
78R8452SP	1001260076
78R8456	1002080211
78R8456SP	1002287239
78R8458	1002080684
78R8458SP	1002287262
78R9461SP	1002300971
78R9468SP	1001260070
79R1255	530674
79R1525	550342
79R1650	550402
79R4400	530835
79R4400	570140
79R4580	1000531458
79R4580	B11373
79R4587	1000531455
79R4650	1000530681
79R4655	1000531951
79R4700	530477
79R8920	530388
79R8945	550385

### RED DOT FACTORY

Red Dot Factory Number	Bergstrom Number
RD-1-0795-0P	1000039688
RD-1-0795-0P	B330379
RD-1-0795-0P	B405429
RD-12110-0P	1002300971
RD1-2382-0	110640M
RD2-1402-0	151356
RD-2-2502-0P	151328M
RD3-10538-0	203090
RD-3106-12	201520
RD-3106-12P	203020
RD3133-4-24	B274284
RD-3133-9P	B265600
RD3-8657-0	1000039644
RD-3-8989-0P	869048
RD-4123-2P	650645
RD-4125-36	B404028
RD-4125-48P	650649



800.499.6849 • shop.bergstrominc.com

## 5

## PART NUMBER CROSS

## Red Dot Factory

This listing shows parts that are similar in physical interchangeability and function. Cross reference lists should not be used as application guides. Please refer to the proper listing in the applications section for specific make and model recommendations.

RED DOT FACTORY		RED DOT FACTORY		RED DOT FACTORY	
Red Dot Factory Number	Bergstrom Number	Red Dot Factory Number	Bergstrom Number	Red Dot Factory Number	Bergstrom Number
RD-4130-1	B330155	RD-5-10207-0P	1000531951	RD5-10512-1	550667
RD-4130-1P	550972	RD-5-10236-0P	E525076	RD5-10513-1	550668
RD-4151-1P	570500	RD-5-10259-0P	1001256639	RD5-10515-1	550669
RD-4151-4	B220891	RD-5-10260-0P	1001322225	RD5-10516-1	550676
RD-4156-108	B315000	RD-5-10264-0P	525989	RD5-10517-1	550678
RD-4160-1	B402565	RD5-10265-0	525993	RD5-10518-1	550681
RD-4180-0	573260	RD5-10266-0	525992	RD5-10519-1	550683
RD-4180-36	525614	RD5-10268-0	526435	RD5-10520-1	550684
RD-4181-0P	B380061	RD5-10273-0	1000052427	RD5-10521-1	550685
RD-4188-0P	650199	RD-5-10273-0P	1000139472	RD5-10523-1	550687
RD-4188-0P	650254-S	RD5-10274-0	526441	RD5-10524-1	550688
RD-4191-0	B404097	RD5-10284-0	526437	RD5-10525-1	550689
RD-4226-0	650149	RD5-10285-0	525997	RD5-10527-1	550691
RD-4226-0	B404019	RD5-10285-0	526495	RD5-10528-1	550695
RD-4257-0P	869621	RD-5-10287-0P	525693	RD5-10529-1	550696
RD-4366-0	B330245	RD5-10292-0	526051	RD5-10530-1P	550697
RD4427-24	589490	RD-5-10296-0P	1000870952	RD5-10531-1	550769
RD-4427-24	650163	RD-5-10322-0P	B402827	RD5-10532-1	550771
RD-4427-24	650878	RD5-10333-0	1001443376	RD5-10533-1	550772
RD-4-47280-0P	160198	RD5-10333-0	013359	RD5-10534-1	550773
RD4-5764-0	1000699302	RD-5-10336-0P	890050	RD5-10535-1	550774
RD-4-5767-0P	1000625364	RD5-10337-0	869445	RD5-10536-1	550775
RD4-6343-0	1000624642	RD5-10341-0	650179	RD5-10537-1	550776
RD-4-6414-0P	1000699298	RD-5-10344-0P	1000373641	RD5-10538-1	550777
RD4-6415-0	1000699298	RD5-10346-0	589540	RD5-10539-1	550778
RD-4-6527-0P	1000039661	RD-5-10365-0P	1000139299	RD5-10540-1	550779
RD-4-7017-0P	1000305593	RD5-10379-0	203066	RD5-10541-1	550781
RD-4-7131-0P	1000626834	RD-5-10387-0P	203284	RD5-10547-1	551167
RD-4-7131-0P	1001188179	RD-5-10390-0P	B275166	RD5-10548-1	551168
RD-4-7306-0P	1001345260	RD-5-10392-0P	203249	RD5-10549-1	551171
RD-4-7353-0P	1000305690	RD-5-10392-0P	B275140	RD5-10550-1	551172
RD5-0071-0	650644	RD5-10393-0	869701	RD5-10555-1	550783
RD-5-0071-0P	B222013	RD5-10395-0	868013	RD5-10556-1	550784
RD5-10011-0	540266	RD-5-10397-0P	650547	RD5-10559-1	551201
RD-5-10012-0P	540268	RD-5-10435-0P	510061	RD5-10561-1	551213
RD-5-10013-0P	540267	RD-5-10478-0P	585520	RD5-10562-1	551267
RD-5-10068-0P	205853	RD5-10489-0	868790	RD5-10564-1	550673
RD-5-10069-1P	203249	RD-5-10490-4P	869352	RD5-10565-1	550674
RD-5-10069-1P	B275140	RD5-10496-0P	526397	RD5-10566-1	550672
RD-5-10070-1P	203088	RD5-10504-0P	1002287239	RD5-10567-1	551259
RD5-10072-1	B275190	RD5-10504-600	1002080211	RD5-10570-1	551178
RD-5-10072-1P	203067	RD5-10505-0P	1002287262	RD5-10571-1	550724
RD5-10075-0	525313	RD5-10505-600	1002080684	RD5-10572-1	550725
RD-5-10077-0P	525460	RD5-10506-0P	1002290824	RD5-10573-1	550726
RD-5-10079-0P	526426	RD5-10506-600	1002080687	RD5-10574-1	550789
RD-5-10081-0P	525459	RD5-10507-0P	1002292110	RD5-10575-1	550786
RD-5-10156-0P	650117	RD-5-10507-0P	1002300976	RD5-10576-1	550792
RD-5-10167-0P	1000250288	RD-5-10507-0P	1001260076	RD5-10577-1	550737
RD-5-10198-0M	1000039333	RD5-10507-600	1002080699	RD5-10579-1	550733
RD-5-10199-0M	1000039326	RD5-10508-1	550663	RD5-10580-1	550734
RD-5-10200-0M	1000039205	RD5-10509-1	550664	RD5-10589-0	540433C
RD-5-10201-0P	526110	RD5-10510-1	550665	RD-5-10589-1P	1001450408
RD-5-10206-0P	1000530681	RD5-10511-1	550666	RD5-10590-0	652100

# Red Dot Factory

**5**  
PART NUMBER CROSS

This listing shows parts that are similar in physical interchangeability and function. Cross reference lists should not be used as application guides. Please refer to the proper listing in the applications section for specific make and model recommendations.

RED DOT FACTORY		RED DOT FACTORY		RED DOT FACTORY	
Red Dot Factory Number	Bergstrom Number	Red Dot Factory Number	Bergstrom Number	Red Dot Factory Number	Bergstrom Number
RD-5-10591	1002614241	RD5-10944-0	540072C	RD-5-12108-0P	1001260070
RD5-10593-0	525784	RD5-11006-0	526367	RD-5-12240-0P	1001580089
RD5-10699-1	550727	RD-5-11015-0M	570120	RD-5-12246-0P	552-C053
RD5-10700-1	550728	RD-5-11015-0M	580123	RD5-12330-0	1000039652
RD5-10701-1	550729	RD-5-11016-0M	564700	RD-5-12332-0P	1000052431
RD5-10702-1	550731	RD5-11017-0	572770	RD5-12354-0	1000883432
RD5-10704-1	550722	RD5-11018-0	580114	RD-5-12450-1P	1000039630
RD5-10705-1	550723	RD-5-11028-0P	1001429706	RD-5-12485-1P	550671
RD5-10706-1	550718	RD5-11031-0	525335	RD5-12488-0	1000625091
RD5-10707-1	550719	RD-5-11113-0P	530674	RD5-12520-0	540383
RD5-10708-1	550721	RD-5-11169-0P	650870	RD5-12521-0	540454
RD5-10709-0	530380	RD5-11188-0	540072C	RD-5-12522-0P	1000021106
RD5-10710-0	530381	RD-5-11188-0P	1001450393	RD-5-12550-0P	1000141380
RD5-10711-0	530382	RD-5-11220-0P	1001256654	RD5-12551-0	869445
RD5-10712-0	530383	RD5-11239-0	526482	RD5-12623-0	526333C
RD5-10713-0	530384	RD-5-11240-0P	1001255095	RD-5-12623-0P	1001450636
RD5-10714-0	530385	RD5-11241-0	1000165306	RD-5-12674-0P	550385
RD5-10715-0	530386	RD5-11241-0	526357	RD-5-12757-0P	540127C
RD5-10716-0	530387	RD5-11244-0	526461	RD-5-12757-1P	1001450631
RD5-10717-0	530388	RD5-11245-0	526487	RD-5-12904-2P	1001202129
RD-5-10719-1P	550692	RD5-11249-0	1000042346	RD-5-12936-0P	1000841164
RD5-10720-1	550693	RD5-11251-0	526435	RD-5-13062-0P	1000145382
RD5-10721-1	550694	RD5-11256-0	1002026901	RD-5-13067-0P	203368
RD-5-10725-0P	525899	RD5-11256-0	526488	RD-5-13068-0P	890099
RD5-10734-0	1000299874	RD-5-11257-0P	1001932834	RD-5-13069-0P	1000142451
RD5-10738-0	526066	RD-5-11257-0P	1000145387	RD-5-13069-0P	203361
RD-5-10745-0P	525507	RD5-11259-0	526482	RD-5-13207-0P	1000141300
RD5-10753-0	510027	RD5-11326-0	526495	RD-5-13209-0P	1000194450
RD5-10757-0	540364	RD-5-11326-0P	525997	RD-5-13210-0P	1000141363
RD-5-10757-0P	551131	RD-5-11328-0P	1000870952	RD-5-13216-0P	1000039695
RD5-10773-0	520217	RD5-11334-0	526497	RD-5-13216-1P	1001450425
RD-5-10774-0P	525249	RD5-11336-0P	526498	RD-5-13221-0P	1000531455
RD5-10775-0	525543	RD5-11338-0	526506	RD-5-13233-0P	1000246795
RD-5-10775-0P	525838	RD5-11343-0	1001384786	RD-5-13239-0P	650668
RD-5-10776-0P	530633	RD5-11346-0	526506	RD-5-14045-0P	1001450645
RD5-10777-0	1001478794	RD-5-11356-0P	1000139553	RD-5-14073-0P	203156
RD5-10880-0	540388	RD5-11387-1	550682	RD-5-14076-0M	1002487273
RD5-10881-0	540389	RD5-11466-0	868790	RD-5-14094-0P	1001453429
RD5-10885-0	526368	RD5-11489-0	890067	RD-5-14601-0P	1000555432
RD-5-10885-0P	1000164653	RD-5-11522-0P	1001450396	RD-5-14604-0P	651187
RD5-10888-0	526372	RD-5-11526-0	203113	RD-5-14612-0P	1000477197
RD-5-10888-0P	1000165210	RD5-11527-0	1000039445	RD-5-14618-0P	1000477644
RD5-10890-0	526374	RD5-11528-0	1000039471	RD-5-14619-0P	1001443794
RD-5-10890-0P	1000165249	RD5-11529-0	1000039483	RD-5-14622-0P	108409
RD5-10893-0	526378	RD5-11530-0	1000039492	RD-5-14638-0P	1000259981
RD5-10899-0	526395	RD-5-11531-0P	1001452029	RD-5-14638-0P	1001452028
RD-5-10899-0P	1000164828	RD-5-11531-0P	526024C	RD-5-14639-0P	1000259984
RD5-10900-0	526396	RD-5-11546-0P	526112	RD-5-14639-0P	1000259980
RD-5-10900-0P	1000164831	RD5-11573-1	550703	RD-5-14644-0P	1001410935
RD-5-10927-0P	1001451954	RD5-11836-0	1000039637	RD-5-14645-0P	1001321949
RD5-10935-0P	B360917	RD5-11838-1	550738	RD-5-14645-0P	1001410921
RD-5-10939-0P	1000039683	RD-5-11841-0P	1000331105	RD-5-14645-0P	1001400136
RD-5-10943-0M	580091	RD-5-11921-0P	1001443807	RD-5-14648-0P	1001860902



800.499.6849 • shop.bergstrominc.com

**5**

**PART NUMBER CROSS**

# Red Dot Factory

This listing shows parts that are similar in physical interchangeability and function. Cross reference lists should not be used as application guides. Please refer to the proper listing in the applications section for specific make and model recommendations.

RED DOT FACTORY	
Red Dot Factory Number	Bergstrom Number
RD-5-14652-0P	1000039646
RD-5-14653-0P	1000600468
RD-5-14655-0P	1002396857
RD-5-14655-0P	1000141423
RD-5-14656-0P	1000163318
RD-5-14685-0P	1001452358
RD-5-14686-0P	1001264912
RD-5-14688-0P	1001452361
RD-5-14689-0P	1000451085
RD5-14693-0P	1000206466
RD-5-14694-0P	1000220149
RD-5-14696-0P	1001202155
RD-5-15282-0P	1000841699
RD-5-15287-0P	1001450661
RD-5-15295-0P	1000039681
RD-5-15500-0P	1000624505
Rd-5-15501-0P	1000250287
RD-5-15505-0P	1000593042
RD-5-15523-0P	525979
RD-5-15572-1P	1001249691
RD-5-15689-1P	1001450427
RD-5-15697-0P	1000812426
RD-5-16515-0P	1002411890
RD5-3593-0	540059
RD5-3593-0	540060
RD5-3593-1	540060
RD5-3646-0	890072
RD5-3647-0	650441
RD5-3647-0	650790
RD-5-3653-0P	B360312
RD5-3690-0	203168
RD-5-3693-1P	580106
RD5-3702-0	B360478
RD5-3728-0	570120
RD5-3728-0	580123
RD5-3729-0	564700
RD5-3730-0	572770
RD-5-3730-0M	580125
RD5-3748-0	B221005
RD-5-3751-24P	B275240
RD-5-3758-0P	B360448
RD-5-3779-0P	650657
RD-5-3780-0P	203336
RD-5-3800-1P	B260720
RD5-3824-1	B404292
RD-5-3827-0P	651154
RD5-3827-1	650954
RD-5-3827-1P	651154
RD5-3843-0	B402496
RD-5-3843-0P	1001478804
RD5-3876-1	B330308
RD-5-3876-1P	869193
RD5-3930-108	B314000

RED DOT FACTORY	
Red Dot Factory Number	Bergstrom Number
RD-5-3940-0M	580108
RD-5-4035-10M	B290214
RD-5-4035-16M	B290304
RD5-4058-360	570140
RD-5-4058-360P	530835
RD5-4187-0	B320000
RD5-4233-24	B275202
RD5-4400-0	B290065
RD5-4408-0	651150
RD5-4408-0	651459
RD5-4408-0	652420
RD-5-4531-24P	650476
RD-5-4575-24P	869852
RD5-4583-0	650633
RD5-4625-0	650627
RD5-4640-0	650448
RD5-4694-1	650438
RD-5-4727-0P	1002106141
RD5-4827-24	B275241
RD5-4833-0	B404144
RD-5-4833-0P	1000948101
RD5-4834-0	540094
RD-5-4908-0P	B220743
RD5-4909-0	B404075
RD5-4912-0	1000948098
RD5-4917-0	650149
RD5-4919-0	525712
RD5-4923-0	869619
RD5-4927-0	B275141
RD-5-4937-0P	1001266966
RD-5-4937-0P	890063
RD5-4948-0	540104
RD5-4955-0	540111C
RD5-4959-0	540107C
RD-5-4966-0P	650487
RD-5-4972-1P	1000139242
RD-5-5006-0P	1002300977
RD5-5006-600	550307
RD-5-5008-0P	1002301587
RD5-5008-600	550307
RD5-5008-600	550308
RD-5-5010-0P	1002301589
RD5-5010-600	550308
RD5-5010-600	550309
RD5-5012-600	550310
RD5-5031-0	B416113
RD-5-5049-1P	205840
RD5-5119-0	869310
RD5-5121-0	203212
RD5-5122-108	B311000
RD5-5123-108	B312000
RD5-5190-0	B275152
RD5-5192-0	869281

RED DOT FACTORY	
Red Dot Factory Number	Bergstrom Number
RD5-5193-0	540294
RD5-5194-0	B220300
RD-5-5223-0P	B170145
RD5-5263-0	529800
RD5-5512-0	203076
RD-5-5525-0P	525984
RD-5-5525-0P	B330369
RD-5-5538-0P	591510
RD-5-5552-0P	B360754
RD5-5571-0	540062
RD5-5601-0	510046
RD5-5614-0	203179
RD-5-5614-0P	B275102
RD-5-5614-0P	B275156
RD5-5656-0	B260680
RD-5-5796-0P	869350
RD-5-5796-24	756020C
RD5-5859-0	530477
RD5-5873-0	650593
RD5-5876-0	525856
RD5-5877-0	B404123
RD-5-5901-0P	B173070
RD-5-5909-0P	1000132197
RD-5-5909-0P	1000132208
RD-5-5909-0P	202270
RD5-5928-0	B380076
RD-5-6076-0P	1001453097
RD-5-6220-0P	B360761
RD5-6320-0	1000593047
RD5-6395-0	650629
RD-5-6396-0P	650594
RD5-6397-0	B404123
RD-5-6397-0P	650203
RD5-6429-0	650511
RD5-6450-0	650823
RD5-6504-1	540078C
RD5-6526-0	203132
RD-5-6526-1P	203133
RD5-6531-0	203211
RD5-6651-1	510035
RD5-6691-0	550403
RD-5-6780-0P	540035
RD-5-6801-0P	203061
RD-5-6802-0P	1000875789
RD5-6803-0	525615
RD5-6804-0	652090
RD5-6804-0	B221503
RD5-6838-0	B409022
RD5-6840-0	B409001
RD-5-68605-1P	1001478811
RD-5-68605-1P	1002447375
RD5-6868-0	1000300919
RD-5-6868-0P	1001443791



This listing shows parts that are similar in physical interchangeability and function. Cross reference lists should not be used as application guides. Please refer to the proper listing in the applications section for specific make and model recommendations.

RED DOT FACTORY	
Red Dot Factory Number	Bergstrom Number
RD5-6945-0	<b>B409000</b>
RD5-6947-0	<b>B409023</b>
RD5-6948-0	<b>B409009</b>
RD-5-6949-0P	<b>B409094</b>
RD5-6951-0	<b>B409014</b>
RD5-6955-0	<b>B409041</b>
RD-5-6979-0P	<b>B409015</b>
RD-5-7015-0P	<b>1001443384</b>
RD-5-7023-0P	<b>525858</b>
RD-5-7061-1P	<b>1001479521</b>
RD5-7062-1	<b>540062</b>
RD-5-7064-0P	<b>1001452332</b>
RD-5-7064-1P	<b>1001452332</b>
RD-5-7088-0P	<b>1000223285</b>
RD-5-7089-0P	<b>1000223277</b>
RD-5-7089-0P	<b>1001249654</b>
RD5-7091-0	<b>525774</b>
RD5-7103-0	<b>1000531458</b>
RD-5-7103-0P	<b>B11373</b>
RD5-7120-0	<b>525723</b>
RD5-7123-0	<b>B265605</b>
RD-5-7123-0P	<b>575080</b>
RD5-7124-0	<b>B402842</b>
RD5-7145-0	<b>525917</b>
RD-5-7155-0P	<b>589500</b>
RD-5-7165-0P	<b>B402827</b>
RD-5-7225-0P	<b>B409016</b>
RD5-7231-0	<b>B409017</b>
RD5-7236-0	<b>550309</b>
RD-5-7272-0P	<b>1000622970</b>
RD5-7373-0	<b>525698</b>
RD-5-7392-0P	<b>550992</b>
RD5-7410-0	<b>550414</b>
RD5-7417-0	<b>550993</b>
RD-5-7457-0P	<b>550979</b>
RD-5-7495-0P	<b>B409028</b>
RD5-7517-0P	<b>1001451952</b>
RD-5-7522-0P	<b>1000139585</b>
RD-5-7523-0M	<b>550252</b>
RD-5-7523-0M	<b>550253</b>
RD-5-7523-0M	<b>550393</b>
RD-5-7523-0M	<b>550399</b>
RD-5-7524-0M	<b>550252</b>
RD-5-7524-0M	<b>550392</b>
RD-5-7524-0M	<b>550401</b>
RD-5-7559-0P	<b>1002089977</b>
RD-5-7563-0P	<b>540127C</b>
RD-5-7629-0P	<b>B409086</b>
RD5-7661-0	<b>B409097</b>
RD5-7688-0	<b>540225</b>
RD5-7690-0	<b>540226</b>
RD5-7732-0	<b>550342</b>
RD-5-7733-0P	<b>B409003</b>

RED DOT FACTORY	
Red Dot Factory Number	Bergstrom Number
RD-5-7740-0P	<b>B409025</b>
RD5-7805-0	<b>B409013</b>
RD5-7967-0	<b>540209</b>
RD-5-8075-0P	<b>B380032</b>
RD-5-8076-0P	<b>B407387</b>
RD5-8203-0	<b>203213</b>
RD5-8220-0	<b>651323</b>
RD-5-8240-0P	<b>1001479504</b>
RD5-8256-0	<b>650871</b>
RD-5-8256-0P	<b>650607</b>
RD5-8257-0	<b>650195</b>
RD-5-8257-0P	<b>1000021516</b>
RD-5-8257-0P	<b>1000340317</b>
RD-5-8265-0P	<b>B409056</b>
RD-5-8266-0P	<b>B409057</b>
RD5-8267-0	<b>550414</b>
RD-5-8268-0P	<b>B409055</b>
RD-5-8275-0P	<b>B409091</b>
RD-5-8284-0P	<b>B409027</b>
RD-5-8285-0P	<b>B409100</b>
RD5-8287-0	<b>651332</b>
RD5-8288-0	<b>650944</b>
RD-5-8289-0P	<b>B404121</b>
RD-5-8292-0M	<b>551112</b>
RD-5-8293-0M	<b>B360874</b>
RD5-8330-0	<b>540085</b>
RD5-8374-0	<b>563500</b>
RD-5-8405-0P	<b>550966</b>
RD5-8433-0	<b>650869</b>
RD-5-8490-0P	<b>650471</b>
RD-5-8627-5P	<b>1002478731</b>
RD5-8638-0P	<b>525742</b>
RD5-8772-0	<b>B203845</b>
RD-5-8772-0P	<b>1002106849</b>
RD-5-8772-0P	<b>B405430</b>
RD5-8773-0	<b>1002106852</b>
RD5-8773-0	<b>B405431</b>
RD5-8774-0	<b>B405434</b>
RD5-8774-0	<b>B203846</b>
RD-5-8785-2P	<b>1001216759</b>
RD-5-8791-0P	<b>890071</b>
RD5-8850-0	<b>550388</b>
RD-5-8899-0P	<b>552-C043</b>
RD-5-8904-0P	<b>1001580116</b>
RD-5-8906-0P	<b>1001580119</b>
RD-5-8922-0P	<b>203139</b>
RD-5-8935-0P	<b>1000347338</b>
RD5-8936-0	<b>1000293538</b>
RD5-8938-0	<b>650163</b>
RD-5-8939-0P	<b>1001580096</b>
RD-5-8944-0P	<b>525858</b>
RD5-8948-0	<b>203268</b>
RD5-8949-0	<b>869595</b>

RED DOT FACTORY	
Red Dot Factory Number	Bergstrom Number
RD-5-8967-0P	<b>650088</b>
RD5-9061-0	<b>580114</b>
RD5-9061-0	<b>580210</b>
RD5-9084-0	<b>550508</b>
RD5-9100-0	<b>203255</b>
RD-5-9102-0P	<b>203168</b>
RD-5-9155-0P	<b>1001356228</b>
RD-5-9218-0M	<b>580552</b>
RD-5-9219-0M	<b>540373</b>
RD-5-9419-1P	<b>1001453765</b>
RD5-9458-0	<b>525901</b>
RD-5-9513-0P	<b>1001404629</b>
RD-5-9513-0P	<b>540293</b>
RD5-9515-0P	<b>1001451952</b>
RD-5-9515-1P	<b>540121</b>
RD-5-9556-1P	<b>1001451959</b>
RD-5-9557-0	<b>650263</b>
RD5-9564-0	<b>540018</b>
RD-5-9566-0P	<b>525985C</b>
RD-5-9609-11P	<b>525968</b>
RD-5-9655-0P	<b>650487</b>
RD-5-9665-0P	<b>650547</b>
RD-5-9807-0P	<b>540265</b>
RD-5-9808-0P	<b>550402</b>
RD5-9809-0	<b>550397</b>
RD5-9810-0	<b>550398</b>
RD5-9815-0	<b>550394</b>
RD5-9817-0	<b>550284</b>
RD5-9818-0	<b>550386</b>
RD-5-9833-0P	<b>650657</b>
RD-5-9915-0P	<b>650731</b>
RD-5-9916-0P	<b>650177</b>
RD-5-9916-0P	<b>650477</b>
RD-5-9956-0P	<b>540217</b>
RD5-9987-0	<b>525674</b>
RD-5-9989-0P	<b>550367</b>
RD-5-9990-0P	<b>650419</b>
RD-5-9991-0P	<b>650418</b>

SANDEN	
Sanden Number	Bergstrom Number
4010	<b>526437</b>
4097	<b>1001410935</b>
4108	<b>1001410935</b>
4148	<b>1001889690</b>
4286	<b>1000872711</b>
4506	<b>1000223277</b>
4507	<b>1000223277</b>
4510	<b>1000223285</b>
4516	<b>525774</b>



800.499.6849 • shop.bergstrominc.com

**5**

**PART NUMBER CROSS**

**Thomas Built Bus**

This listing shows parts that are similar in physical interchangeability and function. Cross reference lists should not be used as application guides. Please refer to the proper listing in the applications section for specific make and model recommendations.

SANDEN	
Sanden Number	Bergstrom Number
4577	1001889661
4577	1001889674
4618	526437
4720	1002362530
6664	1000223285
6665	1000223277
6672	525774
4018	1001321603
4028	1000449225
4039	1000052427
4040	1000052431
4075	1000145382
4077	1000141300
4078	1000141363
4079	1000194450
4080	1000141380
4081	1002396857
4081	1000141423
4082	1000039646
4083	1000141434
4084	1000600468
4090	1000163318
4093	1001321790
4098	1001410931
4099	1001321949
4099	1001410921
4099	1001400136
4117U	1000872711
4121	1001322595
4271	1001249654
4285	1000873174
4305	526482
4307	1000322061
4314	1001249691
4326	1000381584
4326	1000872633
4334	1001250650
4347	1000141284
4347	1000872619
4362	1000537625
4384	1000873181
4405	1001202145
4418	1000451085
4418	526445
4419	1000969524
4419	526367
4420	526368
4420	1000164653
4424	1000139472
4434	526395
4434	1000164828
4435	526396
4435	1000164831
4468	1001255095

SANDEN	
Sanden Number	Bergstrom Number
4469	1000165306
4469	526357
4473	526461
4474	526487
4475	525992
4478	1001256639
4479	1001256651
4482	1000042346
4484	526441
4485	526435
4487	1001322225
4488	525989
4490	1000139553
4491	525993
4493	1002026901
4493	526488
4494	1001932834
4494	1000145387
4546	1000004842
4596	1001322640
4608	1001256654
4626	1000139585
4627	525723
4643	526051
4652	B402842
4664	525693
4666	525997
4667	526495
4672	1000870952
4705	526397
4720	1001202155
4739	526497
4745	525899
4762	525901
4779	526498
4800	1001202157
4802	1000872650
4803	1002411890
4822	526066
4855	1001384786
4862	1000165210
4862	526372
4864	526374
4864	1000165249
4865-6340	540388
4866-6340	540389
4868	526378
4883	1000039652
4895	526506
7803-1996	B11373
7819	525698
8112	1001374173

SELTEC	
Seltec Number	Bergstrom Number
488-25011	525856
488-25077	525858
488-45011	525917
488-45015	525952
488-45057	B402827
488-46011	525968
488-46234	525979
488-47244	526408
488-47245	1001202129
488-47245	1001202129

SIEMENS	
Siemens Number	Bergstrom Number
PM 381	203212
PM102	203156
PM126	1001266966
PM267	203284
PM3306	203213
PM3341	868790
PM3345	890067
PM341X	203249
PM367	B275266
PM373	B275241
PM-373	B275240
PM385	203179
PM763	203186

THOMAS BUILT BUS	
Thomas Number	Bergstrom Number
081685502	756703
22-71865-000	1001487648
2601-8378	572980
2602-0369	756610C
2602-4374	563500
2603-1374	529800
2603-4369	202520
2604-4367	1000132208
2605-1367	515400
2605-1368	756600
2605-5365	575080
2605-7365	507700
2606-2365	201520
2609-3370	540900
4602-0082	525636
5200-3268	756720C
6500-0439	203020
6600-0092	552500
6600-0225	582790
6600-0291	584210



This listing shows parts that are similar in physical interchangeability and function. Cross reference lists should not be used as application guides. Please refer to the proper listing in the applications section for specific make and model recommendations.

THOMAS BUILT BUS	
Thomas Number	Bergstrom Number
6600-0305	<b>1000943151</b>
6600-0405	<b>586970</b>
6600-0514	<b>585520</b>
6600-0672	<b>518930</b>
6600-0910	<b>588060</b>
6600-4667	<b>880014</b>
6600-5071	<b>530757</b>
6600-5077	<b>660762</b>
8566-0007	<b>205780</b>
8566-0009	<b>205840</b>
8566-0049	<b>650790</b>
8566-0050	<b>589540</b>
8566-0102	<b>203061</b>
8566-0125	<b>650179</b>
8566-0129	<b>108250</b>
8566-0130	<b>202270</b>
8566-0135	<b>587380</b>
8566-0203	<b>530006</b>
8566-0226	<b>203066</b>
8566-0227	<b>203067</b>
8566-0233	<b>510014</b>
8566-0237	<b>525313</b>
8566-0377	<b>108275</b>
8566-0378	<b>203088</b>
8566-0380	<b>525459</b>
8566-0382	<b>572980</b>
8566-0384	<b>108274</b>
8566-0385	<b>525458</b>
8566-0439	<b>525460</b>
8566-0447	<b>205853</b>
8566-3378	<b>444700</b>
BSM 1000033591	<b>1000033591</b>
BSM 1000046149	<b>1000046149</b>
BSM 1000133568	<b>1000369918</b>
BSM 1000186314	<b>1000186314</b>
BSM 1000202058	<b>1000202058</b>
BSM 1000230606	<b>1000235880</b>
BSM 1000235880	<b>1000235880</b>
BSM 1000346164	<b>1000346164</b>
BSM 1000346774	<b>1000346774</b>
BSM 1000365530	<b>1000369918</b>
BSM 1000426128	<b>1000426128</b>
BSM 1000694282	<b>1000694282</b>
BSM 1000834227	<b>1001401792</b>
BSM 1001429553	<b>1001429553</b>
BSM 1001487644	<b>1001487644</b>
BSM 108250	<b>108250</b>
BSM 108274	<b>108274</b>
BSM 108275	<b>108275</b>
BSM 108336	<b>108336</b>
BSM 108442	<b>108442M</b>
BSM 202520	<b>202520</b>
BSM 203234	<b>203234</b>
BSM 203412	<b>203412</b>

THOMAS BUILT BUS	
Thomas Number	Bergstrom Number
BSM 301252	<b>205853</b>
BSM 301601	<b>1000132208</b>
BSM 500088	<b>500088</b>
BSM 507700	<b>507700</b>
BSM 515400	<b>515400</b>
BSM 525048	<b>525048</b>
BSM 525406	<b>525406</b>
BSM 525600	<b>525600</b>
BSM 525823	<b>525823</b>
BSM 525836	<b>525836</b>
BSM 526427	<b>526427</b>
BSM 526431	<b>526431</b>
BSM 540900	<b>540900</b>
BSM 586970	<b>586970</b>
BSM 652541	<b>652541</b>
BSM 808810	<b>808810</b>
BSM 880014	<b>880014</b>
KYS 173090	<b>B173090</b>
KYS 275254	<b>B275254</b>
KYS 275266	<b>B275266</b>
KYS B411271	<b>B411271</b>
TBB 103290	<b>756735C</b>
TBB 125868	<b>1000202058</b>
TBB 125882	<b>1000202057</b>
TBB 129547	<b>1000202056</b>
TBB 150627	<b>1000081604</b>
TBB 181122	<b>1001487642</b>
TBB 184618	<b>1001487655</b>
TBB 150627	<b>1000081604</b>
TBB 181122	<b>1001487642</b>
TBB 184618	<b>1001487655</b>

TRANSAIR	
TransAir Number	Bergstrom Number
113006	<b>650657</b>
113033	<b>B380088</b>
210035	<b>589500</b>
512226	<b>526368</b>
512226	<b>1000164653</b>
77T41413-30	<b>1000617101</b>

TRP	
TRP Number	Bergstrom Number
1000139585BSM	<b>871288-S</b>
AA13000	<b>1000593042</b>
AA13050	<b>540023</b>
AB34000	<b>530747</b>
AB34050	<b>B360754</b>
AB34550	<b>500108</b>

TRP	
TRP Number	Bergstrom Number
AB34600	<b>201520</b>
AB34650	<b>B380095</b>
AB34700	<b>525026</b>
AB34750	<b>B380032</b>
AB34800	<b>525048</b>
AB35250	<b>203361</b>
AC10650	<b>203132</b>
AC11100	<b>203156</b>
AC11800	<b>202270</b>
AC11850	<b>871218</b>
AC11900	<b>203133</b>
AC11950	<b>B275141</b>
AC12000	<b>203115</b>
AC12100	<b>1000321333</b>
AC12150	<b>201320</b>
AC12200	<b>203235</b>
AC13150	<b>756330</b>
AC13200	<b>756020C</b>
AC13500	<b>530374</b>
AC13550	<b>540373</b>
AC13600	<b>580552</b>
AC13650	<b>530637</b>
AC13700	<b>530638</b>
AC13750	<b>530635</b>
AC13800	<b>530636</b>
B2900120	<b>540433C</b>
BA10550	<b>540078C</b>
BA10600	<b>203088</b>
BA10650	<b>B507920</b>
BA10750	<b>B402562</b>
BA10800	<b>538700</b>
BA10900	<b>540060</b>
BA11000	<b>B280383</b>
BA11800	<b>B402565</b>
BA12050	<b>203234</b>
BA12400	<b>1000033591</b>
BA13250	<b>540062</b>
BA13900	<b>205780</b>
BA14100	<b>B411465</b>
BA14150	<b>1000222667</b>
BA14550	<b>203061</b>
BA14950	<b>869725</b>
BA15200	<b>508300</b>
BA16050	<b>B260171</b>
BA16200	<b>869893</b>
BA16350	<b>1000342648</b>
BA16450	<b>B265600</b>
BA16500	<b>563500</b>
BA16600	<b>1000356768</b>
BA30750	<b>203233</b>
BA41450	<b>1000532211</b>
BA42790	<b>530300</b>
BB10000	<b>1000531458</b>
BB11200	<b>1000532147</b>



800.499.6849 • shop.bergstrominc.com

5

PART NUMBER CROSS

TRP

This listing shows parts that are similar in physical interchangeability and function. Cross reference lists should not be used as application guides. Please refer to the proper listing in the applications section for specific make and model recommendations.

TRP	
TRP Number	Bergstrom Number
BB11450	203268
BB13750	203212
BB13900	580093
BB14050	869445
BB14100	203368
BB14150	530953
BB14550	203080
BB14600	205853
BC10000	B275190
BD10350	B275102
BD10550	203249
BD10750	203364
BD10800	203255
BD11050	1000255724
BD13350	890063
BD13400	203020
BD13550	551149
BD14300	1000021106
BD14900	B416965
BD14900	B280390
BD15300	890067
BD15550	551148
BD15600	551153
BD97030	1000202056
BE08510	650459
BE10000	519703
CA09900	540059
CA10000	1000182193
CA10040	B275252
CA10200	205840
CA10350	203299
CA10400	540700
CA10700	1000132642
CA10710	580118
CA10750	589540
CA10950	203284
CA11050	203342
CA11700	B260170
CA11775	580117
CA11950	203134
CB10050	B360480
CB10800	203336
CB13150	B360867
CB13200	510103
CB13300	651021
CB13350	B260030
CB13400	510119
CB21660	1001452031
CD10000	869701
DB10000	1000132208
DB10050	868790
DB10100	203067
DB10150	1000170295
DC10000	203066

TRP	
TRP Number	Bergstrom Number
EA10200	B330393
EA10660	B223101
EA10660	1000593048
EA10750	651187
EA10900	651184
EA10900	540309
EA13150	B416998
EA14000	580088
EA14150	650616
EA14150	890071
EA14400	540308
EA14500	650445
EA14500	869187
EA14550	869048
EA14650	E525076
EA14700	B416964
EA14750	551151
EA14850	551155
EA14900	551146
EA15000	540085
EA16000	540306
EC10150	525812
EC10200	B360833
EC10250	577830
EC10300	586970
EC10350	B170195
EC10800	585520
FA10000	540266
FA10100	540268
FA10500	650871
FA10555	651332
FA10750	651016
FC10000	1000044188
FD00070	650484
FD00960	650502
FD00990	650487
FD01020	650547
FD10000	203113
FD10150	650485
FD10250	526333C
FD10300	540383
FD10450	1000299874
FD10550	203176
FD10700	650496
FD11000	B280406
FD11300	203168
FD11350	203262
FD12400	B250223
FE10000	B280388
FF10250	529800
FR10000	540024
FR11000	526078
FR11110	580113
FR11120	525615

TRP	
TRP Number	Bergstrom Number
GA10200	530743
GB07460	540094
GB07470	B380060
GB07540	525985C
GB08330	526103
GB10600	B173153
GB12350	526407
GB12400	890099
GB12500	203076
GB13700	587380
GB50760	1000593043
GD10200	1001443787
GD11350	580098
GD11350	650479
GD11500	540364
GD11600	540018
GD11800	1000211175
GD11900	650947
GD4100	650607
GD5600	650606
GE10000	1000345640
GE11450	580094
GE11550	B380096
HA09070	580091
HA0983	591540
HA10100	652420
HA10500	651069
HA10600	651013
HA10700	650477
HA11250	540104
HA11550	540238
HA11950	651071
HA12600	650668
HA13330	580121
HA13500	652541
HA15250	651150
HA15300	650177
HA15750	650644
HA15850	650731
HA15950	530851
HA16000	B220990
HA16050	651203
HA16400	540121
HA17050	869464
HA18050	650441
HA18300	572980
HA18350	651186
HA18500	551144
HA18550	580112
HA18700	575080
HA19500	551154
HA19600	650823
HA19650	650179
HA19700	1000283836





This listing shows parts that are similar in physical interchangeability and function. Cross reference lists should not be used as application guides. Please refer to the proper listing in the applications section for specific make and model recommendations.

TRP		TRP		TRP	
TRP Number	Bergstrom Number	TRP Number	Bergstrom Number	TRP Number	Bergstrom Number
HA19900	1000208583	HD10200	580114	MA13550	660430
HA20050	651011	HD10850	507700	MA14300	1000039492
HA20700	B220893	HD10900	510026	MA14400	444700
HA21550	1000208584	HD11500	510027	MA14650	1000201343
HA21600	650995	HD12400	515400	MA14850	510061
HA21700	756610C	HD12450	510035	MA15000	550404
HA21850	1000925735	HD20560	564700	MA15050	B360782
HA21930	580123	HD20570	572770	MA15350	588060
HA22050	580116	HD67370	500170	MA15950	756720C
HA22100	591520	HD735C0	510014	MA16100	756600
HA22200	869437	HD85830	580089	MA16700	1000202057
HA22300	580087	HD85840	580092	MA16950	756737
HA23400	B222166	HE10100	B404292	MA17050	B290012
HA23650	591510	HF15300	540072C	MA17150	650657
HA23700	756360C	HG10250	1000039695	MA17200	1000039471
HA23850	572440	JA10053	1000250288	MA17700	B222987
HA24000	B173070	JA10450	1000139266	MA29870	B402496
HA26670	580115	JA10700	651291	MA31530	1002089977
HA35910	550493	JA10850	B416759	MA88-S0	756735C
HA51900	540299C	JA10900	534510	MC04060	1001451952
HA97030	1001443376	JA11300	1000531004	MC10050	1000021516
HB10100	540102C	JA11350	1000593044	MC10550	525335
HB10500	585150	JA11650	1000593040	MC11350	650869
HB10700	651459	JA11700	B404145	MC13450	650594
HB10850	1000264808	JA13250	869058	MC13500	650593
HB11350	650254-S	JA18850	540310	MC13650	660829
HB15700	591530	JA19600	869856	MC13900	B404122
HB16100	650475	JA20150	B360157	MC16050	650870
HB16250	540175	JA20550	1000213961	MC16100	650633
HB16700	650790	JA22350	650419	MC16750	1000202059
HB17500	589910	JA22400	869621	MC16800	650511
HC01190	1000293540	JA22550	869595	MC16850	1000100467
HC01700	540122C	JA22650	650661	MC16900	551152
HC01710	540107C	JA22750	B220268	MC16950	551147
HC08670	526110	JB10300	B380061	MC56360	540267
HC10050	203211	JC10850	525838	MC64180	580125
HC10500	868013	JC12000	1000755681	MC83360	650149
HC10650	540127C	JC21450	1000925204	MC83470	110640
HC10700	520217	JC21550	530504	MC83490	650878
HC10800	1000300919	JC21900	870084	MC84280	650476
HC11850	B402533	KA10950	1000169966	MC84330	650117
HC12700	1001479521	KA14900	203356	MC84420	589490
HC12800	B380102	LF4377	869172	MD10150	1001860902
HC13950	1001443391	LM11350	869859	NA10300	650195
HC14050	589500	LM11700	1000039333	NA10400	1000039702
HC14300	1000119844	LM11800	1000039445	NA10900	B280399
HC14700	1001468089	MA03000	589740	NA11500	651238
HC14750	1000207213	MA03930	1000298973	NA12900	1000039701
HC14900	1001443384	MA07480	525047	NA12950	650649
HC15800	540173	MA07490	552500	NA14950	756698
HC15900	203213	MA10250	B300242	PA01250	650088
HC15950	203139	MA11500	B260640	PA12750	B220891
HC16000	B275165	MA12580	1000039483	PA12800	869703
HC16250	540035	MA13500	660320	PA15650	B220746



800.499.6849 • shop.bergstrominc.com

617

**5**

**PART NUMBER CROSS**

**Truck Air**

This listing shows parts that are similar in physical interchangeability and function. Cross reference lists should not be used as application guides. Please refer to the proper listing in the applications section for specific make and model recommendations.

TRP	
TRP Number	Bergstrom Number
PA15700	B221504
PA37001	580119
PA62272	650418
PA79105	B220743
PB12650	650438
PB12750	B221503
PB13150	B221181
PB13300	B221005
PB13400	890072
PB15050	B300448
PB15300	650627
PB16100	652100
PB16500	551161
RD10601	B404279
RD10640	650203
RD10651	B404097
RD10801	B404123
SR2000064	651184
TG10250	525761C
UB10800	1000812426
UB11200	540317
UB12300	013359
UB13800	540293
UC13000	557110
UC13250	B380053
UC13900	573260
UE11000	B275140
UE12050	540454
UE12100	540265
UE12150	1000039685
UE12200	1000039683
UE12250	1000308676
UE12300	1000039681
UE42100	202520
UE57760	540371
UE58010	B250205
UE58280	B250233
UE58360	525614
UE58640	1000875801
UE58930	1000875779
UE63540	651106
UE63980	589790
UE64030	B380087
UE64040	B380092
UE64260	B380099
UE71190	589640
UE73640	530748
UE73650	530749
UE73670	B173089
VA10750	1000875777
VA11650	1000039205
VA11700	1000039326
VG10850	203236
VH10200	530506

TRP	
TRP Number	Bergstrom Number
VH10500	525784
VH10550	525543
VH10650	530631
VH10800	1000039634
VH10900	530505
VH10950	525507
VH11150	1000039640
VH11200	1000883432
VH11250	1000841699
VH11300	1000841164
VH11400	1001181161
VH11450	1000331105
VH11500	1001451771
VH11550	1000007893
VH11600	540372
VH11650	205620
VH11800	203142
VH12000	530310
VH13050	1000220907
VH13100	526112

TRUCK AIR	
Truck Air Number	Bergstrom Number
01-2002	B275241
01-2005	B275266
10-2007	1000373641
10-2010	B173090
01-2012	203179
10-2013	1000348350
01-2014	205780
01-2016	203186
11-2016	B404121
11-2017	B404122
11-2018	650203
11-2018	B404123
11-2019	B404097
01-2021	203168
01-2025	B275156
11-2028	B404144
01-2033	B275165
11-2033	650438
11-2035	B221181
11-2039	652090
11-2039	B221503
11-2058	B404279
11-2060	B404283
11-2061	B404284
11-2062	1000948102
11-2062	B404277
11-2063	B404276
11-2601	B221005

TRUCK AIR	
Truck Air Number	Bergstrom Number
11-2602	570500
01-2603	B274284
11-2604	B220891
01-2605	B275130
01-2607	B275202
01-2608	203134
01-2608	203335
01-2609	203211
01-2610	203132
11-2610	650644
11-2610	B222013
11-2611	890072
260420	203255
11-2613	650441
01-2615	203213
07-2616	540062
11-2622	1000948101
11-2624	650633
05-2627	151356
11-2627	650627
11-2630	650448
11-2656	651323
11-2662	650419
11-2663	650418
10-3000	869619
11-3002	651150
11-3002	652420
11-3004	B222166
10-3005	B330155
10-3006	869310
01-3008	201520
10-3009	525984
10-3010	869193
10-3010	B330308
01-3011	203133
10-3012	B330369
11-3012	1000948098
11-3016	652100
01-3032	203212
11-3040	B222973
01-3043	1000356768
01-3044	203090
10-3050	869281
11-3050	650657
03-3051	B416113
01-3052	1000202059
11-3052	B220743
11-3053	B220300
10-3055	540294
11-3056	650645
01-3065	203067
10-3070	540308
11-3075	650649
11-3076	B404028



## Truck Air

5

PART NUMBER CROSS

This listing shows parts that are similar in physical interchangeability and function. Cross reference lists should not be used as application guides. Please refer to the proper listing in the applications section for specific make and model recommendations.

TRUCK AIR		TRUCK AIR		TRUCK AIR	
Truck Air Number	Bergstrom Number	Truck Air Number	Bergstrom Number	Truck Air Number	Bergstrom Number
11-3078	B404089	03-3729	1001255095	01-1004	203142
01-3084	1000046148	03-3736	525968	01-1006	203115
11-3084	650878	03-3793	1001384786	01-1205	869445
10-3085	869187	03-3793	526408	01-1206	1001276674
11-3085	B404075	03-3813	1001202155	01-1401	1000142451
01-3087	1001582686	01-4007	202270	01-1401	890050
10-3090	540085	01-4011	203088	01-1405	203361
11-3091	B404019	09-4200	B311000	01-1603	868013
11-3093	650149	09-4250	B312000	01-1610	1000039644
11-3094	650476	09-4300	B314000	01-1611	203356
03-3185	525979	09-4350	B315000	01-1614	1000954752
09-3206	530635	09-5062	B320000	01-4007A	1000132197
09-3208	530636	09-5066	550307	01-4009A	1000169966
01-3210	B275232	09-5068	550308	02-0806	650547
09-3210	530637	09-5070	550309	03-0410	1000165306
09-3212	530638	09-5072	550310	03-0410	526357
01-3226	203092	03-6511	540389	03-0421	526487
09-3330	B360312	03-6512	540388	03-0433	1000042346
09-3331	B360208	03-6536	1001356228	03-0434	526482
09-3332	B173070	09-7006	1002080211	03-0604	525993
02-3402	1000139242	09-7006	1002287239	03-0605	525992
03-3405	1000223285	09-7008	1002080684	03-0608	526506
03-3416	1000139585	09-7010	1002080687	03-0609	526435
02-3418	1000139299	09-7010	1002290824	03-0609S	1000145382
03-3418	525997	09-7012	1002080699	03-0610	526461
03-3419	526051	09-7012	1002292110	03-0615	1001249691
02-3426	650487	09-7012	1002287262	03-0616	1000039646
03-3444	525899	08-8400	550284	03-0617	1000141434
03-3468	1000870952	08-8402	550394	03-0618	1000872650
03-3470	525693	08-8437	580552	03-0620	1000600468
03-3480	525698	08-8438	540373	03-0621	1000322061
08-3482	540209	08-8490	550386	03-0627	1001321949
03-3486	525774	08-8491	550388	03-0627	1001410921
03-3489	B402842	01-0200	203156	03-0627	1001400136
08-3489	540225	01-0201	1001266966	03-0632G	1001410935
03-3490	525723	01-0409	203284	03-0633	1001410931
03-3490	526498	01-0604	868790	03-0801	1000004842
08-3490	540226	01-0608	203268	03-0803	526066
08-3494	540217	01-0609	890067	03-0804	1000451085
03-3501	1000449225	01-0610	869701	03-0804	526445
03-3515	1001374173	01-0613	203368	03-0805	1000141284
03-3636	525917	01-0810	203156	03-0805	1000872619
03-3642	525952	01-0811	B275140	03-1002	1000141363
03-3644	B402827	01-0812	B275141	03-1013	1001889661
03-3645	525858	01-0814	1001266966	03-1200	1000039652
03-3704	526378	01-0816	203113	03-1201	1000381584
03-3708	526374	01-0818	890063	03-1201	1000872633
03-3708	1000165249	01-0819	890099	03-1400	526397
03-3709	526395	01-0820	1000477193	03-1401	1000052427
03-3709	1000164828	01-0821	1000477197	03-1401	1000139472
03-3712	1000165210	01-1000	205840	03-1401S	1000194450
03-3712	526372	01-1001	203080	03-1402	526497
03-3719	526396	01-1002	203076	03-1403	526441
03-3719	1000164831	01-1003	203139	03-1404S	1000141300



800.499.6849 • shop.bergstrominc.com

619

**5**

**PART NUMBER CROSS**

**Truck Air**

This listing shows parts that are similar in physical interchangeability and function. Cross reference lists should not be used as application guides. Please refer to the proper listing in the applications section for specific make and model recommendations.

TRUCK AIR	
Truck Air Number	Bergstrom Number
03-1405	1000052431
03-1405S	1000141380
03-1406	1000873181
03-1407	1002396857
03-1407	1000141423
03-1600	1000139553
03-1605	1001932834
03-1605	1000145387
03-1608	1002026901
03-1608	526488
03-1611	525989
03-1844	526437
03-1848	1000537625
03-3002E	525742
03-3418S	1000163318
03-3489A	1000223277
03-3489A	1001249654
03-3536F	525856
03-3702T	526367
03-3708T	526368
03-3708T	1000164653
03-3718A	525901
03-3718W	526495
03-3793B	1001202129
04-0413	1000617101
04-0603	1000699317
04-0608	1000699305
04-0610	1000699306
04-0613	1000039661
04-0619	1001188179
04-0620	1001345354
04-0621	1001345260
04-0623	1000626834
04-0828	1000617180
04-0829	160198
04-0838	1001493206
04-1009	1000625091
04-1205	1000699302
04-1214	1000625364
04-1422	1000305593
04-1611	1000699318
04-1616	1000624642
04-1616A	1001275785
05-0807	151346
05-0810	1000477479
05-0811	1000431925
05-1008	151328M
05-1203	1000475399
05-1403	1000213241
05-1403	1000213242
05-1408	1001489683
06-3568M	1001216759
07-0437F	526112
07-0437G	526112

TRUCK AIR	
Truck Air Number	Bergstrom Number
07-0443A	526110
07-0600A	540111C
07-0601A	540060
07-0602A	B402562
07-0603A	1001478804
07-0604A	1001450357
07-0606A	1001450297
07-0608A	1001450363
07-0610A	1001450393
07-0610A	540072C
07-0610G	1001450393
07-0614A	1001450408
07-0614A	540433C
07-0614G	1001450408
07-0618A	1001860902
07-0619A	1001450425
07-0619A	1000039695
07-0622A	1001450427
07-0801A	1001450631
07-0801A	540107C
07-0804A	540127C
07-0815A	1001450636
07-0815A	526333C
07-0816A	1000477649
07-0817A	1001450645
07-0818A	1001450661
07-0818A	1000812369
07-0819A	1000812426
07-1002A	540094
07-1003A	540078C
07-1005A	1000007893
07-1005A	1001451771
07-1005G	1001451771
07-1007A	1000259983
07-1008A	1001452021
07-1008A	1000259984
07-1009A	1001452027
07-1009A	1000259980
07-1010A	1001452028
07-1010A	1000259981
07-1013A	1002090588
07-1204A	1001451952
07-1205A	1001451776
07-1205G	1001451776
07-1401	1001478794
07-1409A	1001451959
07-1409A	525985C
07-1602A	540121
07-1603A	526024C
07-2003A	B402496
07-2005A	1002106141
07-2011A	B402618
07-2603A	B402565
07-2604A	540059

TRUCK AIR	
Truck Air Number	Bergstrom Number
07-2619A	1001479521
07-2620A	1001453765
07-2621A	1000622970
07-3006A	540104
07-3054A	1001452332
07-3063A	1001264912
07-3064A	1001452361
07-5019A	1002089977
07-5043A	1001429706
07-5067A	1001452358
07-5080A	1000554489
08-3000BS	550414
08-3001BS	B409055
08-3002BS	B409056
08-3003BS	B409057
08-3012B	550979
08-3492H	550424
08-4061B	550992
08-4062B	550993
08-5021BS	550966
08-5053BS	B409097
08-5061BS	B409013
08-5063BS	B409014
08-5093BS	B409047
08-5921BS	550938
08-5962BS	B409094
08-5963BS	B409041
08-6061BS	B409022
08-6062BS	B409023
08-6074BS	B409028
08-6462BS	B409009
08-6932BS	B409016
08-6933BS	B409017
08-6961BS	B409000
08-6962BS	B409001
08-6964BS	B409003
08-6976BS	B409076
09-5066SP	1002300977
09-5068SP	1002301587
09-5070SP	1002301589
10-0432	540309
10-0611	869595
10-0612	1000347338
10-0616	1000039630
10-0811	1000477648
10-0820	540024
10-1005	108263M
10-1032	1000593043
10-1042	1000593042
10-1214	869223
10-1409	1000207046M
10-1430	1000593044
10-1430	1000593045
10-1432	1000593047



# Truck Air

5

PART NUMBER CROSS

This listing shows parts that are similar in physical interchangeability and function. Cross reference lists should not be used as application guides. Please refer to the proper listing in the applications section for specific make and model recommendations.

TRUCK AIR		TRUCK AIR		TRUCK AIR	
Truck Air Number	Bergstrom Number	Truck Air Number	Bergstrom Number	Truck Air Number	Bergstrom Number
10-1436	1000593048	12-0410	540265	16-4108	580124
10-1438	1000406312	12-0415	540018	16-4109	580089
10-1614	1001275789	12-0416	540266	16-4110	580125
11-0216	B404093	12-0418	540267	16-4111	580092
11-0220	650661	12-0616A	1000039683	16-4112	580210
11-0226	650790	12-0616A	540383	16-4113	580091
11-0601	1000925735	12-0617A	1000039685	16-4122	580113
11-0602	651011	12-0620A	540454	16-4142	550367
11-0611	650944	12-0621A	1000021106	16-4206	570120
11-0612	651203	12-0627A	1001404629	16-4206	580123
11-0613	650823	12-0628A	1001445648	16-4208	564700
11-0616	650869	12-0805	540364	16-4210	572770
11-0617	651332	12-1400A	1000299874	16-4212	580114
11-0620	650511	12-1401A	1001443769	16-4248	1002487275
11-0624	650870	12-1603A	1000122061	16-4249	1002487273
11-0626	651013	12-1603A	1000477612	16-4252	1000417503
11-0633	650471	12-1607A	1001448066	16-4253	1000417507
11-0640	1000345640	12-1608A	1001276615	16-4257B	600121
11-0649	1000039701	12-2012A	1001443791	16-4263	1000039205
11-0650	1000039702	12-2012A	1000300919	16-4264	1000039326
11-0800	650607	12-2014A	1001443807	16-4265	1000039333
11-0802	650606	12-2612A	540293	16-4266	1000039445
11-0804	650177	12-3016A	650199	16-4267	1000039471
11-0813	650593	12-3016A	650254-S	16-4271	1000039483
11-0814	650871	12-3017A	B404292	16-4272	1000039492
11-0817	650594	12-3022A	540035	16-4299	525674
11-0819	1002044722	12-3023A	589500	17-3082	530477
11-0834	651184	12-3027A	1001443376	17-3410	1000531458
11-0835	651186	12-3027A	013359	17-3422	B11373
11-0836	651187	12-3028A	1000293538	18-0600	B260816
11-0843	1000250288	12-3036A	1001445635	18-0632	1000331105
11-0860	650195	15-3231	550342	18-0633	526407
11-1001	1000198478	15-3242	530388	18-0636	1000039637
11-1004	650475	16-3007	570140	18-0645	525460
11-1050	650163	16-3037	580099	18-0805	510027
11-1405	650629	16-3045	580106	18-0821	520217
11-1408	1000206429	16-3049	550508	18-0822	525249
11-1408	1001520651	16-3071	525860	18-0823	525403
11-1409	1000335581	16-3143	550403	18-0824	525543
11-1416	650622	16-3145	550253	18-0825	1000841164
11-1417	650465	16-3146	550252	18-0827	530633
11-1420	1001513275	16-3147	551354	18-0828	1000841699
11-1601	650086	16-3148	550398	18-1000	563500
11-1603	650117	16-3149	550397	18-1004	589540
11-1605	589490	16-3153	550393	18-1032	534510
11-1608	650477	16-3157	550392	18-1230	525784
11-1611	650088	16-3158	580108	18-1231	1001272970
11-1613	525335	16-3434	550385	18-1231M	1001272970
11-1639	1001272236	16-3443	B360874	18-1421	525507
11-1641	1001272224	16-3444	551112	18-1423	1000220149
11-1650	650731	16-3445	550399	18-1424	525838
11-1650	651459	16-3446	550401	18-1425	1000206466
12-0211	525712	16-4090	530674	18-1426	1000201343
12-0220	540268	16-4093	869893	18-1613	1000883432



800.499.6849 • shop.bergstrominc.com

**5**

**PART NUMBER CROSS**

**UAC**

This listing shows parts that are similar in physical interchangeability and function. Cross reference lists should not be used as application guides. Please refer to the proper listing in the applications section for specific make and model recommendations.

TRUCK AIR	
Truck Air Number	Bergstrom Number
18-2003	<b>B260640</b>
18-2010	<b>B265600</b>
18-2063	<b>B407176</b>
18-2070	<b>B380032</b>
18-2072	<b>B380061</b>
18-2073	<b>B380053</b>
18-2200	<b>B260680</b>
18-2260	<b>B380088</b>
18-2603	<b>529800</b>
18-2617	<b>510046</b>
18-2618	<b>510035</b>
18-2624	<b>510061</b>
18-2660	<b>573260</b>
18-2662	<b>B380076</b>
18-2666	<b>650459</b>
18-3036	<b>525614</b>
18-3116	<b>B407387</b>
19-2600	<b>650954</b>
20-17411-AM	<b>1002460531</b>
18-0635	<b>530631</b>
18-0636	<b>1000039637</b>
18-0645	<b>525460</b>
18-0805	<b>510027</b>
18-0821	<b>520217</b>
18-0822	<b>525249</b>
18-0823	<b>525403</b>
18-0824	<b>525543</b>
18-0825	<b>1000841164</b>
18-0827	<b>530633</b>
18-0828	<b>1000841699</b>
18-1000	<b>563500</b>
18-1004	<b>589540</b>
18-1032	<b>534510</b>
18-1230	<b>525784</b>
18-1231	<b>1001272970</b>
18-1231M	<b>1001272970</b>
18-1421	<b>525507</b>
18-1423	<b>1000220149</b>
18-1424	<b>525838</b>
18-1425	<b>1000206466</b>
18-1426	<b>1000201343</b>
18-1613	<b>1000883432</b>
18-2003	<b>B260640</b>
18-2010	<b>B265600</b>
18-2063	<b>B407176</b>
18-2070	<b>B380032</b>
18-2072	<b>B380061</b>
18-2073	<b>B380053</b>
18-2200	<b>B260680</b>
18-2260	<b>B380088</b>
18-2603	<b>529800</b>
18-2617	<b>510046</b>
18-2618	<b>510035</b>
18-2624	<b>510061</b>

TRUCK AIR	
Truck Air Number	Bergstrom Number
18-2660	<b>573260</b>
18-2662	<b>B380076</b>
18-2666	<b>650459</b>
18-3036	<b>525614</b>
18-3116	<b>B407387</b>
19-2600	<b>650954</b>
20-17411-AM	<b>1002460531</b>

UAC	
UAC Number	Bergstrom Number
BM 0105	<b>203156</b>
BM 0105EC	<b>203156</b>
BM 0267	<b>203284</b>
BM 0267C	<b>203284</b>
BM 0321	<b>201520</b>
BM 0321	<b>203088</b>
BM 0350	<b>203211</b>
BM 0354	<b>202270</b>
BM 0356	<b>B274284</b>
BM 0357	<b>203132</b>
BM 0368	<b>203168</b>
BM 0370	<b>B275140</b>
BM 0385	<b>203179</b>
BM 0389	<b>203134</b>
BM 0393	<b>203335</b>
BM 0775	<b>203186</b>
BM 3304	<b>B275141</b>
BM 3510	<b>205780</b>
BM 3510C	<b>205780</b>
BW 0900	<b>B260680</b>
BW 2097	<b>B260680</b>
BW0031	<b>B260031</b>
CL 1136	<b>650487</b>
CO 4028C	<b>1000449225</b>
CO 4075C	<b>1000145382</b>
CO 4084C	<b>1000600468</b>
CO 4307C	<b>1000322061</b>
CO 4326AP	<b>1000381584</b>
CO 4326AP	<b>1000872633</b>
CO 4418C	<b>1000451085</b>
CO 4418C	<b>526445</b>
CO 4420C	<b>1000164653</b>
CO 4433C	<b>526441</b>
CO 4434C	<b>1000164828</b>
CO 4435C	<b>1000164831</b>
CO 4469C	<b>1000165306</b>
CO 4475C	<b>525992</b>
CO 4494C	<b>1001932834</b>
CO 4506C	<b>1000223277</b>
CO 4510C	<b>1000223285</b>
CO 4667C	<b>526495</b>

UAC	
UAC Number	Bergstrom Number
CO 4672C	<b>1000870952</b>
CO 4862C	<b>1000165210</b>
CO 4864C	<b>1000165249</b>
CO 4896C	<b>526498</b>
CO4424C	<b>1000139472</b>
CO4469C	<b>526357</b>
CO4485C	<b>526435</b>
CO4488C	<b>525989</b>
CO4490C	<b>1000139553</b>
CO4493C	<b>1002026901</b>
CO4493C	<b>526488</b>
CO4618C	<b>526437</b>
CO4626C	<b>1000139585</b>
CO4647C	<b>525693</b>
CO4739	<b>526497</b>
CO4762	<b>525901</b>
CO4776C	<b>1000042346</b>
CO4781	<b>526506</b>
CO4822C	<b>526066</b>
CO4883C	<b>1000039652</b>
EX 1000C	<b>540018</b>
EX 3000	<b>540266</b>
EX 3000C	<b>540266</b>
EX 5151	<b>525712</b>
EX 5151C	<b>525712</b>
EX 529497C	<b>1001404629</b>
EX 5296	<b>540265</b>
EX 5296C	<b>540265</b>
EX 5378	<b>540268</b>
EX 5378C	<b>540268</b>
EX 9447C	<b>589500</b>
FT 1102C	<b>550993</b>
FT 2038C	<b>540209</b>
FT 6101AC	<b>550414</b>
HV 1006C	<b>869281</b>
HV 2211C	<b>869621</b>
OR 0011-10	<b>570120</b>
OR 0080G-10	<b>580089</b>
OR 1011G-10	<b>580123</b>
OR 1013G-10	<b>580124</b>
OR 1015G-10	<b>572770</b>
OR 1015G-10	<b>580125</b>
OR 1017G-10	<b>580114</b>
OR 1017G-1000	<b>580210</b>
OR 1113G-10	<b>580091</b>
RD 10065C	<b>1001452358</b>
RD 10095C	<b>1001264912</b>
RD 10160C	<b>526112</b>
RD 10999C	<b>1000477649</b>
RD 2159C	<b>526110</b>
RD 7125C	<b>B402496</b>
RD 7130C	<b>540107C</b>
RD 9901C	<b>540078C</b>
RE 4124	<b>651459</b>



This listing shows parts that are similar in physical interchangeability and function. Cross reference lists should not be used as application guides. Please refer to the proper listing in the applications section for specific make and model recommendations.

UAC		VOLVO		VOLVO	
UAC Number	Bergstrom Number	Volvo Number	Bergstrom Number	Volvo Number	Bergstrom Number
RE 4137C	<b>651069</b>	37351	<b>B407176</b>	176348	<b>108250</b>
SW 1094	<b>650649</b>	63385	<b>B221670</b>	176353	<b>525698</b>
SW 1122C	<b>B404144</b>	96331	<b>B404279</b>	176355	<b>1001478804</b>
SW 1122GE	<b>B404144</b>	176100	<b>201520</b>	176357	<b>540104</b>
SW 2000	<b>B220300</b>	176101	<b>203080</b>	176367	<b>540217</b>
SW 2400C	<b>890072</b>	176102	<b>203134</b>	176372	<b>550508</b>
SW 2450	<b>650438</b>	176113	<b>203168</b>	176373	<b>540225</b>
SW 2650	<b>650441</b>	176114	<b>B275140</b>	176381	<b>540209</b>
SW 2962C	<b>650661</b>	176118	<b>203179</b>	176388	<b>540226</b>
SW 5203C	<b>B404097</b>	176118	<b>B275102</b>	176433	<b>1000132208</b>
SW 6490C	<b>B404075</b>	176123	<b>203186</b>	176435	<b>203088</b>
SW 6561	<b>B404028</b>	176130	<b>203211</b>	176436	<b>203061</b>
		176131	<b>203212</b>	176437	<b>203066</b>
		176132	<b>203213</b>	176438	<b>203067</b>
		176139	<b>205840</b>	176442	<b>202520</b>
		176140	<b>868790</b>	176443	<b>202270</b>
		176143	<b>510035</b>	176447	<b>515400</b>
		176149	<b>510046</b>	176448	<b>507700</b>
		176151	<b>B260680</b>	176475	<b>525026</b>
		176152	<b>B260640</b>	176478	<b>589740</b>
		176158	<b>1000699302</b>	176482	<b>585520</b>
		176159	<b>108291</b>	176483	<b>588060</b>
		176160	<b>151100</b>	176484	<b>586970</b>
		176167	<b>151356</b>	176485	<b>550404</b>
		176186	<b>540035</b>	176486	<b>530006</b>
		176194	<b>108245</b>	176489	<b>808810</b>
		176196	<b>108289M</b>	176491	<b>572980</b>
		176215	<b>110470</b>	176492	<b>500170</b>
		176217	<b>650593</b>	176494	<b>587380</b>
		176218	<b>650594</b>	176495	<b>575080</b>
		176219	<b>B404122</b>	176497	<b>508300</b>
		176220	<b>B404121</b>	176499	<b>756610C</b>
		176225	<b>650627</b>	176500	<b>756600</b>
		176226	<b>650629</b>	176501	<b>540700</b>
		176227	<b>B404144</b>	176533	<b>1000875789</b>
		176229	<b>B404123</b>	176534	<b>525614</b>
		176245	<b>1001478794</b>	176535	<b>525615</b>
		176252	<b>652420</b>	176562	<b>552500</b>
		176253	<b>650475</b>	176564	<b>510061</b>
		176256	<b>B220990</b>	176566	<b>525674</b>
		176259	<b>650606</b>	176568	<b>B404292</b>
		176260	<b>650607</b>	176569	<b>651150</b>
		176266	<b>B221005</b>	176570	<b>540107C</b>
		176277	<b>540024</b>	176573	<b>B220300</b>
		176278	<b>540085</b>	176575	<b>540062</b>
		176279	<b>1000593043</b>	205185	<b>1000182193</b>
		176286	<b>650254-S</b>	1090171	<b>650823</b>
		176292	<b>570500</b>	1092319	<b>868013</b>
		176299	<b>534100</b>	1093287	<b>650153</b>
		176303	<b>589910</b>	1110156	<b>650645</b>
		176304	<b>591540</b>	1110785	<b>650649</b>
		176305	<b>591510</b>	1117232	<b>B404019</b>
		176311	<b>1001479521</b>	1117985	<b>525856</b>
		176340	<b>151321M</b>	1118400	<b>550051</b>

UPTIME PARTS	
Uptime Parts Number	Bergstrom Number
203113	<b>203113</b>
300515	<b>B300515</b>
3133727	<b>650657</b>
3134241	<b>650179</b>
A8013271	<b>B275165</b>
AUT176432	<b>B275152</b>
AUTA8013292	<b>B360400</b>
UCB02910033432	<b>540059</b>
UCB02910033439	<b>B173142</b>
UCB05960393102	<b>B173148</b>
UCB10909763	<b>B173090</b>
UCB10910436941	<b>B360769</b>
UCB28930359	<b>B360715</b>
UCB28930362	<b>B509185</b>

VALEO	
Valeo Number	Bergstrom Number
1210340	<b>1000624642</b>
10325011	<b>525856</b>
10325077	<b>525858</b>
10355011	<b>525917</b>
10355015	<b>525952</b>
10355057	<b>B402827</b>
10356011	<b>525968</b>
10356234	<b>525979</b>
10357244	<b>526408</b>
10367248	<b>1001202121</b>
10367260	<b>1001202129</b>
212-15420Y	<b>1001356228</b>
T1009876J	<b>651225</b>
T1009880K	<b>1000004716</b>
VCC T1001838L	<b>1001445648</b>



800.499.6849 • shop.bergstrominc.com

5

PART NUMBER CROSS

## Volvo

This listing shows parts that are similar in physical interchangeability and function. Cross reference lists should not be used as application guides. Please refer to the proper listing in the applications section for specific make and model recommendations.

VOLVO		VOLVO		VOLVO	
Volvo Number	Bergstrom Number	Volvo Number	Bergstrom Number	Volvo Number	Bergstrom Number
1118408	589490	3949250	108240	3949491	580091
1118416	650117	3949262	203132	3949554	580099
1118417	589540	3949263	203133	3949560	580106
1118419	525048	3949265	890050	3949562	580108
1118422	650086	3949271	525712	3949569	550385
1118424	650088	3949274	529800	3949570	550386
1118425	652100	3949275	540023	3949572	550388
3093404	203115	3949278	540072C	3949575	550394
3093406	B260816	3949279	540094	3949577	550399
3093407	540018	3949280	540127C	3949578	550401
3093410	591520	3949282	650149	3949579	550402
3093411	650644	3949283	650177	3949580	550253
3093419	650869	3949284	650195	3949581	550252
3093421	650870	3949285	1000250288	3949582	550397
3093422	650878	3949287	650418	3949583	550398
3093425	890063	3949288	650419	3949586	550284
3093562	1000299874	3949289	650438	3949589	550403
3093574	540265	3949290	650441	3949850	525742
3093576	540268	3949291	650476	3949886	869701
3093577	540267	3949296	650547	8022509	1000699318
3093578	540266	3949297	650731	8082268	1000139553
3093838	525588	3949298	650661	8164872	525723
3102744	890072	3949306	108263M	8164872	526498
3105089	B275141	3949307	151328M	8177090	525693
3130684	650179	3949308	203076	20370291	526498
3133727	650657	3949309	B404097	20435801	1000883432
3915962	525335	3949311	650163	20443814	1001272224
3916157	1000202059	3949313	650487	20443826	1001272236
3916180	525693	3949314	650790	20443850	1000122061
3916657	1000300919	3949315	652090	20461065	1000624642
3918217	650871	3949320	550393	20721587	1000381584
3918231	869619	3949321	550392	20721587	1000872633
3918587	570140	3949322	550307	21349570	1000872711
3918641	622290	3949323	550308	21349573	1000873174
3918760	550159	3949324	550309	21814392	1001275785
3934718	1001452030	3949325	550310	22529916	1000390653
3945305	600115	3949382	550342	84701226	652541
3945679	525858	3949389	203113	84756249	1001592577
3946673	1001443376	3949390	563500	85100262	530380
3946673	013359	3949391	510027	85100263	530381
3946686	203356	3949395	151346	85100264	530382
3946692	869856	3949396	589500	85100265	530383
3947421	510026	3949397	1001443384	85100271	530384
3947425	550215	3949397	1001465094	85100272	530385
3947426	550216	3949399	110640M	85100273	530386
3947428	580124	3949462	550367	85100274	530387
3947429	570120	3949480	580123	85100275	530388
3947430	580125	3949481	580113	85100278	1002080211
3949130	540078C	3949483	564700	85100278	1002287239
3949132	540111C	3949485	572770	85100279	1002080684
3949133	650477	3949486	580210	85100279	1002287262
3949134	650511	3949487	580114	85100280	1002080687
3949135	1000021516	3949489	580089	85100280	1002290824
3949135	1000340317	3949490	580092	85100281	1002080699

624



800.499.6849 • shop.bergstrominc.com



This listing shows parts that are similar in physical interchangeability and function. Cross reference lists should not be used as application guides. Please refer to the proper listing in the applications section for specific make and model recommendations.

VOLVO		VOLVO		VOLVO	
Volvo Number	Bergstrom Number	Volvo Number	Bergstrom Number	Volvo Number	Bergstrom Number
85100281	<b>1002292110</b>	85100435	<b>550736</b>	85104197	<b>1000477674</b>
85100282	<b>550663</b>	85100436	<b>550737</b>	85104200	<b>1000477648</b>
85100283	<b>550664</b>	85100437	<b>550738</b>	85104207	<b>203368</b>
85100284	<b>550665</b>	85100465	<b>550769</b>	85104531	<b>526506</b>
85100285	<b>550666</b>	85100466	<b>550771</b>	85104616	<b>B409017</b>
85100286	<b>550667</b>	85100467	<b>550772</b>	85119605	<b>1000039652</b>
85100287	<b>550668</b>	85100480	<b>550773</b>	85120276	<b>1000954752</b>
85100288	<b>550669</b>	85100481	<b>550774</b>	85120277	<b>1001275789</b>
85100289	<b>550671</b>	85100482	<b>550775</b>	85120286	<b>1000555432</b>
85100290	<b>550672</b>	85100483	<b>550776</b>	85120289	<b>1001276615</b>
85100291	<b>550673</b>	85100484	<b>550777</b>	85123215	<b>1002026901</b>
85100292	<b>550674</b>	85100485	<b>550778</b>	85123215	<b>1000145387</b>
85100293	<b>550675</b>	85100486	<b>550779</b>	85126010	<b>1001932834</b>
85100294	<b>550676</b>	85100487	<b>550781</b>	85126010	<b>526488</b>
85100295	<b>550677</b>	85100489	<b>550783</b>	85128713	<b>1001276674</b>
85100296	<b>550678</b>	85100490	<b>550784</b>	85142037	<b>1000346059</b>
85100297	<b>550679</b>	85100492	<b>550786</b>	85142170	<b>203090</b>
85100298	<b>550681</b>	85100494	<b>550787</b>	85142408	<b>1000346874</b>
85100299	<b>550682</b>	85100495	<b>550788</b>	85144400	<b>540293</b>
85100300	<b>550683</b>	85100496	<b>550789</b>	85145555	<b>1000373395</b>
85100301	<b>550684</b>	85100497	<b>550791</b>	02-7077922	<b>B402565</b>
85100302	<b>550685</b>	85100498	<b>550792</b>	60009-5023	<b>B275152</b>
85100304	<b>550687</b>	85100500	<b>550793</b>	60012-5009	<b>B173070</b>
85100305	<b>550688</b>	85100527	<b>525858</b>	60018-5003	<b>B220891</b>
85100306	<b>550689</b>	85100539	<b>525917</b>	60018-5007	<b>B220743</b>
85100307	<b>550691</b>	85100559	<b>525968</b>	60018-5015	<b>B221181</b>
85100308	<b>550692</b>	85100866	<b>525997</b>	60040-5008	<b>B509185</b>
85100309	<b>550693</b>	85100867	<b>1000870952</b>	60058-5002	<b>1001443794</b>
85100310	<b>550694</b>	85100872	<b>525989</b>	60306-5002	<b>573260</b>
85100311	<b>550695</b>	85100998	<b>B221503</b>	60306-5004	<b>B380060</b>
85100312	<b>550696</b>	85101000	<b>525985C</b>	60306-5005	<b>B380087</b>
85100313	<b>550697</b>	85101003	<b>756020C</b>	60501-5001	<b>B265600</b>
85100315	<b>550699</b>	85101005	<b>525313</b>	61510-0001	<b>540059</b>
85100317	<b>550701</b>	85101009	<b>525459</b>	61510-0006	<b>540121</b>
85100318	<b>550702</b>	85101010	<b>525458</b>	61510-0008	<b>1001452029</b>
85100319	<b>550703</b>	85101011	<b>525460</b>	61510-006	<b>1002614241</b>
85100320	<b>550704</b>	85101012	<b>525406</b>	61510-5003	<b>B402496</b>
85100330	<b>550715</b>	85101015	<b>203020</b>	61510-5005	<b>540060</b>
85100331	<b>550716</b>	85101018	<b>203234</b>	61522-0006	<b>650448</b>
85100332	<b>550717</b>	85101019	<b>510014</b>	61522-0007	<b>650633</b>
85100333	<b>550718</b>	85101024	<b>108274</b>	61522-0019	<b>B404220</b>
85100334	<b>550719</b>	85101025	<b>108275</b>	615506-3406	<b>1002614241</b>
85100335	<b>550721</b>	85101275	<b>203255</b>	72404-0200	<b>650954</b>
85100336	<b>550722</b>	85103394	<b>890067</b>	7787-B380076	<b>B380076</b>
85100337	<b>550723</b>	85103396	<b>203268</b>	B170145	<b>B170145</b>
85100338	<b>550724</b>	85103428	<b>650471</b>	BSM B300652	<b>B300652</b>
85100339	<b>550725</b>	85103429	<b>1000345640</b>	BSM F45-1001	<b>F45-1001</b>
85100340	<b>550726</b>	85103430	<b>1000925735</b>	BSM F45-1002	<b>F45-1002</b>
85100341	<b>550727</b>	85103431	<b>651011</b>	BSM1000007617	<b>1000007617</b>
85100342	<b>550728</b>	85103433	<b>651013</b>	BSM1000007618	<b>1000007618</b>
85100343	<b>550729</b>	85103438	<b>651332</b>	BSM1000021997	<b>1000021997</b>
85100430	<b>550731</b>	85103439	<b>651021</b>	BSM1000038693	<b>1002823344</b>
85100432	<b>550733</b>	85103443	<b>869595</b>	BSM1000044640	<b>1000044640</b>
85100433	<b>550734</b>	85104197	<b>1000477644</b>	BSM1000049325	<b>1000049325</b>



800.499.6849 • shop.bergstrominc.com

## 5

## PART NUMBER CROSS

## Western Star

This listing shows parts that are similar in physical interchangeability and function. Cross reference lists should not be used as application guides. Please refer to the proper listing in the applications section for specific make and model recommendations.

VOLVO		VOLVO		VOLVO	
Volvo Number	Bergstrom Number	Volvo Number	Bergstrom Number	Volvo Number	Bergstrom Number
BSM1000163931	1000163931	BSM525600	525600	BSMB300642	B300642
BSM1000168452	1000168452	BSM525812	525812	BSMB316000	B316000
BSM1000174251	1000174251	BSM531019	531019	BSMB360157	B360157
BSM1000174286	1000174286	BSM560101	560101	BSMB360312	B360312
BSM1000174302	1000174302	BSM600187	600187	BSMB360400	B360400
BSM1000183201	1000183201	BSM601013	203284	BSMB360924	B360924
BSM1000184211	1000184211	BSM601025	203156	BSMB360924	1002598077
BSM1000224619	1000224619	BSM601043	203249	BSMB404028	B404028
BSM1000230085	1000230085	BSM606077	525952	BSMB416912	B416912
BSM1000230502	1000230502	BSM606098	525979	G2055845	B380032
BSM1000230729	1000230729	BSM606105	B402827	RDHRD473060P	1001345260
BSM1000230792	1000230792	BSM606109	526357	RDHRD5146450P	1001321949
BSM1000234569	1000234569	BSM610033	526110	RDHRD5146450P	1001410921
BSM1000235371	1000235371	BSM610035	526112	RDHRD5146450P	1001400136
BSM1000236036	1000236036	BSM611023	1000699305	RDHRD587852	1001216759
BSM1000236773	1000236773	BSM611024	1000699304	V1091069	B173131
BSM1000247777	1000247777	BSM615007	869621	V1507407	540104
BSM1000247778	1000247778	BSM615018	869187		
BSM1000255856	1000255856	BSM615024	540308		
BSM1000259751	1000259751	BSM615025	540309		
BSM1000270409	1000270409	BSM615026	540310		
BSM1000285448	1000285448	BSM615031	B173089		
BSM1000295771	1000295771	BSM617004	651069		
BSM1000303268	1000303268	BSM617006	651459		
BSM1000303297	1000303297	BSM618000	651203		
BSM1000309203	1000309203	BSM622012	650944		
BSM1000309205	1000309205	BSM623009	869193		
BSM1000310183	1000310183	BSM625005	748040		
BSM1000348812	1000348812	BSM626001	B416998		
BSM1000348813	1000348813	BSM626005	525249		
BSM1000365536	1000365536	BSM626006	530633		
BSM1000493450	1000493450	BSM626007	520217		
BSM1000531455	1000531455	BSM626008	525543		
BSM1000611575	1000611575	BSM627005	1000531458		
BSM1001016645	1001016645	BSM628007	530472		
BSM1001275456	1001275456	BSM628022	525860		
BSM1001275466	1001275466	BSM628034	530409		
BSM1001276271	1001276271	BSM628060	530609		
BSM1001276274	1001276274	BSM628063	530612		
BSM1001330147	1001826308	BSM629004	B416964		
BSM1001330451	1001330451	BSM629005	B416965		
BSM1001330466	1001330466	BSM630049	630049		
BSM1001443378	1001443378	BSM651225	651225		
BSM1001447917	1001447917	BSM651291	1000593048		
BSM1001756154	1001756154	BSM651383	651383		
BSM203090	203090	BSM652542	652542		
BSM205853/ 3949266	205853	BSM660706	660706		
BSM275165	B275165	BSM660707	660707		
BSM300242	B300242	BSM670136	670136		
BSM380061	B380061	BSM670137	670137		
BSM411271	B411271	BSM868649	868649		
BSM500105	500105	BSM870331	870331-S		
BSM500198	500198	BSMB265330	B265330		
BSM519714	519714	BSMB275152	B275152		

WARNER	
Warner Number	Bergstrom Number
1411-36	650487
am	1000259984

WESTERN STAR	
Western Star Number	Bergstrom Number
02-7010501	1000534258
02-7086617	1000534258
02-7104445	540104
60004-4403	151356
60009-3405	203213
60009-5003	203132
60009-5003	203133
60009-5009	203132
60010-4401	529800
60012-5001	510046
60018-5003	B220891
60032-5001	650441
60306-5002	573260
60501-5002	B265600
61018-5002	650878
61018-5005	B404028
61506-3402	540121
72403-3402	650954
A22-69800-000	1001860902
BSM 1000038693	1002823344
BSM 1000163931	1000163931
BSM 1000230792	1000230792
BSM 1000259751	1000259751

# Western Star

5

PART NUMBER CROSS

This listing shows parts that are similar in physical interchangeability and function. Cross reference lists should not be used as application guides. Please refer to the proper listing in the applications section for specific make and model recommendations.

WESTERN STAR	
Western Star Number	Bergstrom Number
BSM 1000270409	<b>1000270409</b>
BSM 1000285448	<b>1000285448</b>
BSM 1001275456	<b>1001275456</b>
BSM 1001275466	<b>1001275466</b>
BSM 1001276271	<b>1001276271</b>
BSM 1001276274	<b>1001276274</b>
BSM 1001330451	<b>1001330451</b>
BSM 1001330466	<b>1001330466</b>

WESTERN STAR	
Western Star Number	Bergstrom Number
BSM 1001443378	<b>1001443378</b>
BSM 1001447917	<b>1001447917</b>
BSM 1001756154	<b>1001756154</b>
RD4126-1	<b>1000534258</b>
VF4-15F11-S01	<b>650731</b>
WST 173089	<b>B173089</b>
WST220990	<b>650790</b>
WST273140	<b>201520</b>

WESTERN STAR	
Western Star Number	Bergstrom Number
WST380061	<b>B380061</b>
WST402818	<b>525917</b>
WST402872	<b>540072C</b>
WST402874	<b>540127C</b>
WST404075	<b>B404075</b>
WST404081	<b>1000948098</b>
WST409027	<b>B409027</b>



800.499.6849 • [shop.bergstrominc.com](http://shop.bergstrominc.com)

627





*Air Conditioning & Heating  
Replacement Parts*

# REFERENCE

# 5

PARTNUMBERINDEX

## Part Number Index

Bergstrom Part Number	Page Number	Bergstrom Part Number	Page Number	Bergstrom Part Number	Page Number
552-C043	318	160152	2, 50, 227, 229	203368	7, 8, 81, 82, 100, 104
552-C053	318	160161	226, 229	203412	100, 104, 393
10640	38	160198	4, 21, 22, 228, 229	205780	111, 113, 393
013359	192, 194	201520	4, 33, 81, 98, 101, 393	205840	32, 111, 113, 382, 389, 393
108240	24, 25, 244, 245	201930	98, 101	205853	63, 82, 111, 113, 393
108245	24, 25, 244, 245	202270	100, 101, 393	444700	389, 395
108250	244, 245, 394, 464	202520	100, 101, 393	500088	376
108259	244, 245, 394	203020	98, 101, 382, 389, 393	500091	376, 387
108263M	38, 39, 244, 245	203061	81, 111, 112, 393	500105	376
108269	24, 25, 244, 245	203066	98, 101, 386, 393	500170	139
108274	244, 246, 394	203067	99, 102, 393	500198	418
108275	244, 246, 394	203072	111, 112	507700	126, 394
108289M	72, 244, 246	203076	32, 33, 98, 102	508300	139
108291	69, 238, 239	203080	111, 112	510011	126
108293	244, 246	203088	98, 102, 382, 389, 393	510014	128, 129, 394
108294	38, 244, 246	203090	33, 34, 35, 59, 63, 81, 111, 112	510026	82, 126
108331	245, 246, 383	203092	99, 102	510027	20, 21, 126, 127
108336	244, 246, 383, 394	203113	19, 20, 101, 102	510035	49, 50, 126, 127
108345	244, 246	203115	33, 98, 102	510046	50, 64, 65, 66, 88, 89, 126, 127
108347	244	203132	33, 34, 48, 49, 81, 100, 102	510061	64, 65, 66, 126, 127
108349M	244, 246	203133	7, 8, 48, 49, 60, 61, 62, 63, 64, 87, 88, 99, 102	510119	139, 383
108409	24, 25, 244, 246	203134	33, 111, 112	514100	418
108428M	245, 246, 383	203139	33, 62, 63, 98, 102	515400	126, 127, 394
108433	245, 247	203142	62, 63, 100, 103	518930	389, 395
108442M	244, 247, 394	203156	19, 20, 81, 100, 103	519703	115, 116, 382, 386, 432, 447, 448
108482M	245, 247, 383	203168	19, 63, 99, 103	519714	115, 116, 443, 446, 447
108483M	245, 247	203179	32, 33, 48, 63, 81, 111, 112	519715	115, 116
108612	24, 25, 244, 247	203186	100, 103	520097	363, 365
110470	244, 247	203208	99, 103	520152	418
110640	38, 39	203211	8, 99, 103	520154	418
110640M	38, 39, 244, 247	203212	48, 63, 111, 112	520155	418
150108	238, 239	203213	99, 103	520217	19, 363, 365
151100	36, 71, 238, 239	203234	100, 103, 393	520453	357
151290	238, 239	203235	33, 34, 111, 112	520513	357
151321M	36, 37, 238, 239	203249	19, 59, 60, 61, 62, 63, 81, 87, 99, 103	520832	418
151326	83, 238, 239	203253	111, 112	525026	218
151328M	36, 238, 239	203255	48, 49, 81, 99, 104	525047	218
151336	83, 238, 239	203268	7, 8, 115, 116	525048	218, 391, 395
151338	36, 70, 71, 238, 239	203284	99, 104	525222	384, 389
151339	36, 70, 71, 238, 239	203284	111, 113	525249	362, 365
151346	22, 238, 239	203335	4, 81, 111, 113	525313	364, 365, 393
151356	10, 69, 70, 71, 90, 238, 239	203336	100, 104, 382	525335	285
151396	51, 52, 238, 240	203342	81, 115, 116	525403	19, 362, 365
151457	10, 238, 240	203356	33, 34, 59, 60, 61, 62, 63, 64, 99, 104	525406	362, 365, 393, 464
151459	238, 240	203361	100, 104	525413	218
160017	226, 228	203364	4, 6, 227, 229	525458	363, 365, 382, 386, 389, 393
160041	22, 228				
160144	4, 227, 228				
160146	4, 6, 227, 229				

Call: 800.499.6849 for Technical Assistance

629

## 5

## PART NUMBER INDEX

Bergstrom Part Number	Page Number	Bergstrom Part Number	Page Number	Bergstrom Part Number	Page Number
525459	364, 365, 382, 386, 393	529800	21, 34, 35, 49, 50, 64, 82,	540310	206, 214, 392
525460	7, 362, 365, 393		88, 89, 126, 127, 394	540364	23, 24, 202
525507	32, 59, 363, 366	530006	377, 395	540373	354
525543	19, 362, 366	530159	418	540383	10, 11, 192, 194, 389
525588	219	530293	218, 387	540388	174, 175
525600	363, 366, 393	530300	218, 387	540389	174, 175
525614	218	530380	296	540433C	252, 257
525615	218	530381	296	540454	10, 11, 192, 194
525636	364, 366, 393	530382	296	540700	139, 140
525674	336, 339	530383	296	540900	363, 368, 393
525693	146, 152, 155	530384	296	550051	342
525698	154, 155	530385	296	550159	342
525712	2, 5, 202, 389	530386	296	550182	342, 390
525723	146, 152, 155	530387	296	550215	342
525742	182	530388	296	550216	342
525774	146, 147, 154, 155	530409	348	550252	189
525776	364, 366, 382	530472	348	550253	189, 339
525777	362, 366	530477	350, 351	550284	354
525784	48, 362, 366	530609	348	550307	314, 329
525801	363, 366, 382	530612	348	550308	314, 329
525812	219	530631	7, 362, 368	550309	314, 329
525823	219, 395	530633	19, 363, 368	550310	314, 329
525828	363, 366, 386	530635	334	550342	313
525836	363, 367, 393	530636	334	550367	336, 339
525838	32, 59, 363, 367	530637	334	550385	358
525856	177, 179, 383	530638	334	550386	354
525858	177, 179	530674	348	550387	354
525860	348	530743	266	550388	354
525864	363, 367, 386	530747	377, 383	550392	189
525893	364, 367, 386	530748	218, 387	550393	189
525899	146, 153, 155	530749	218, 387	550394	354
525901	146, 153, 155	530757	384, 395	550397	339, 358
525917	177, 179	530794	515	550398	339, 358
525952	177, 178, 179	530835	348	550399	189, 339
525968	177, 178, 179	530851	192, 194, 387	550401	189, 339
525979	177, 178, 179	531019	418	550402	358
525984	214	534100	273	550403	336, 339, 358
525985C	255, 266	534510	32, 363, 368	550404	376
525989	146, 151, 156	540018	4, 6, 71, 72, 202, 389	550414	322
525992	146, 151, 156	540023	31, 206, 207	550423	186, 188
525993	146, 151, 156	540024	31, 206, 207	550424	186, 188
525997	146, 152, 156	540035	192, 194, 383, 390	550508	358
526024C	53, 54, 253, 256	540059	53, 54, 72, 77, 84, 253, 256,	550557	515
526051	146, 152, 156		384, 391	550663	299
526066	146, 153, 156	540060	252, 256	550664	299
526110	4, 255, 266, 391	540062	72, 77, 252, 256	550665	299
526112	4, 6, 255, 266	540072C	252, 256	550666	299
526333C	255, 266	540078C	252, 256	550667	299
526354	362, 367, 382	540085	31, 206, 213, 392	550668	299
526357	146, 150, 156	540094	253, 256, 391	550669	299
526367	146, 150, 156	540104	84, 254, 266, 391	550671	316
526368	146, 150, 156	540107C	252, 256	550672	299
526372	146, 154, 157	540111C	73, 74, 75, 76, 253, 256,	550673	299
526374	146, 154, 157		391	550674	299
526378	146, 154, 157	540121	91, 92, 253, 257, 391	550675	299
526395	146, 150, 157	540127C	252, 257	550676	300
526396	146, 150, 157	540198	186, 187	550677	300
526397	146, 153, 157	540206	186, 187	550678	300
526398	364, 367, 386	540207	186, 187	550679	300
526403	364, 367, 382	540208	186, 187	550681	300
526404	362, 367, 382	540209	186, 187	550682	300
526407	7, 362, 367	540211	186, 188	550683	300
526408	177, 178, 179	540214	186, 188	550684	300
526426	364, 368, 382	540215	186, 188	550685	300
526427	363, 368, 393	540216	186, 188	550687	300
526431	363, 368, 393	540217	186, 188	550688	300
526435	146, 151, 157	540225	186, 188	550689	300
526437	146, 148, 152, 157	540226	186, 188	550691	300
526441	146, 151, 157	540227	186, 188	550692	301
526445	146, 150, 158	540228	186, 188	550693	301
526461	146, 150, 158	540241	253, 257, 391	550694	301
526477	362, 368	540265	4, 6, 202, 389	550695	301
526482	146, 149, 158	540266	4, 71, 72, 202, 389	550696	301
526487	146, 151, 158	540267	202	550697	301
526488	146, 151, 158	540268	2, 202	550699	300
526495	146, 153, 158	540293	192, 194	550701	300
526497	146, 153, 158	540294	206, 213	550702	300
526498	146, 153, 154, 158	540308	206, 213	550703	301
526506	154, 158, 159	540309	206, 214, 392	550704	301

Bergstrom Part Number	Page Number	Bergstrom Part Number	Page Number	Bergstrom Part Number	Page Number
550715	304	572980	139, 140, 383, 387, 389, 394, 395	650479	29, 283
550716	304			650487	21, 142
550717	304	573260	219	650511	17, 31, 285
550718	304	575080	139, 140, 383, 389, 394, 395	650547	21, 142
550719	304			650593	28, 29, 281
550721	304	575750	515	650594	28, 29, 79, 278
550722	304	580089	334, 335, 336, 337	650606	27, 28, 275
550723	304	580091	334, 335, 336, 337	650607	27, 28, 275
550724	304	580092	334, 335, 337	650622	44, 273
550725	304	580099	336, 356	650627	41, 42, 43, 79, 85, 92, 276
550726	304	580106	189, 336	650629	78, 281
550727	304	580108	189, 336	650633	276
550728	304	580113	334, 335, 337	650644	85, 274
550729	304	580114	334, 335, 337, 338, 339	650645	56, 274
550731	304	580123	334, 335, 337	650649	17, 31, 57, 79, 285
550733	305	580124	334, 335, 336, 337	650656	419
550734	305	580125	334, 335, 336, 337	650657	14, 15, 78, 273, 384, 392, 442, 443, 446, 448
550736	303	580210	334, 335, 336, 337		
550737	303	580552	354	650661	3, 284
550738	305	580553	27, 334, 335, 338	650668	55, 292
550769	302	580565	27, 334, 335, 337, 338	650713	281
550771	302	581520	139, 140, 389	650731	2, 13, 26, 39, 77, 84, 92, 290
550772	302	582790	364, 368, 393		
550773	302	584210	364, 369, 389, 393	650790	4, 55, 77, 84, 85, 292, 395, 446
550774	302	585520	376, 395		
550775	302	586970	377, 383, 384, 395	650823	14, 84, 292
550776	303	587380	139, 140, 394, 464	650869	15, 16, 277
550777	303	588060	376, 391, 395	650870	15, 16, 277
550778	303	589490	79, 285, 384	650871	27, 28, 275
550779	303	589500	192, 194	650878	31, 44, 45, 46, 57, 58, 79, 285
550781	303	589540	34, 64, 66, 82, 128, 129, 382, 394	650882	56, 274
550783	302			650944	278
550784	302	589640	334, 335	650951	215
550786	302	589740	219	650954	275
550787	302	589790	418	651011	2, 13, 290
550788	302	589910	17, 272	651013	14, 292
550789	302	591510	46, 272	651021	283
550791	303	591520	272	651069	290
550792	303	591530	418	651150	2, 13, 26, 39, 55, 77, 92, 290
550793	303	591540	272		
550938	320	600115	418	651154	275
550966	320	600121	24, 356	651181	288, 388
550972	214	600157	355	651184	30, 287
550979	315	600187	418	651186	26, 27, 292
550980	315	600283	356	651187	28, 29, 30, 78, 287
550992	315	620280	418	651203	14, 292
550993	315	622290	389	651225	419
551112	189, 339	630001	418	651264	285
551131	23, 201	630049	419	651272	215
551153	321	630051	419	651273	32, 87, 215, 217
551167	298	630063	515	651323	41, 42, 43, 78, 278
551168	298	630084	130	651332	15, 16, 92, 284
551171	298	650086	85, 273, 392	651383	419
551172	298	650088	86, 273	651459	26, 77, 290
551178	304	650117	86, 284	651462	341
551183	303	650149	31, 284	651980	40, 288, 395
551201	298	650153	291	652090	275
551213	298	650163	44, 45, 46, 79, 285, 384	652100	272
551259	301	650177	26, 27, 291	652420	2, 77, 290, 384, 388
551267	298	650179	26, 39, 77, 84, 85, 291, 384, 388, 392, 395	652541	13, 26, 290, 395
551272	299			652542	419
551354	339, 358	650195	285	652584	289
552500	219, 391, 395	650199	11, 55, 192, 194, 390	660320	359
559506	418	650203	29, 278	660706	359
560046	515	650254-S	83, 192, 194, 383, 390	660707	359
560101	340	650263	356	660757	419
560126	344	650418	30, 283	660762	359, 394
560127	344	650419	15, 16, 280	660776	359
560169	515	650436	278	670136	357
560235	344, 383	650438	28, 39, 40, 56, 77, 78, 274	670137	357
563500	34, 35, 64, 65, 66, 128, 129, 386, 389, 394	650441	3, 14, 26, 27, 39, 55, 77, 85, 92, 291	748040	376
				756020C	132, 133
564700	334, 335, 337, 338, 339	650448	56, 57, 85, 277	756110	136
570120	334, 335, 336, 337, 338, 339	650459	219	756360C	132, 133
		650465	40, 41, 42, 45, 78, 273	756600	133, 394
570140	355, 384	650471	272	756610C	133, 134, 394
570500	44, 273	650475	26, 27, 39, 77, 291	756698	132, 134, 383
572770	334, 335, 337, 338, 339	650476	86, 285	756702	132, 134, 389
		650477	26, 27, 291		

PART NUMBER INDEX 5



800.499.6849 • shop.bergstrominc.com

5

PART NUMBER INDEX

Bergstrom Part Number	Page Number	Bergstrom Part Number	Page Number	Bergstrom Part Number	Page Number
756703	132, 134, 389, 395	1000022607	307	1000052431	146, 148, 159
756713	133, 134, 389	1000022610	515	1000063838	419
756720C	132, 134, 394, 395	1000022612	307	1000067312	292, 437, 439, 461
756735C	133, 134, 395	1000022616	515	1000071226	207
756737	133, 134, 387	1000022623	307	1000071226	206
780017	387, 466	1000022648	308	1000081604	133, 135, 395
808810	378, 395	1000022704	308	1000103887	362, 369
868013	82, 100, 104	1000022746	308	1000122061	23, 24, 52, 71, 72, 83, 192, 195
868649	419	1000022764	308	1000132197	100, 106, 382, 464
868790	6, 7, 8, 81, 99, 104	1000022805	309	1000132208	101, 106, 386, 393
869048	376	1000022807	309	1000132642	87, 88, 100, 106, 382, 386
869158	98, 105, 386	1000022809	309	1000134018	294
869187	31, 206, 214, 392	1000022813	309	1000135092	221
869193	214	1000022815	309	1000135581	222, 384
869223	53, 244, 247	1000022824	309	1000136032	466
869224	51, 238, 240	1000022873	308	1000136418M	244, 247
869281	31, 206, 214	1000022945	308	1000137119	364, 369, 382
869310	46, 206, 213	1000022947	308	1000139242	8, 21, 35, 50, 66, 82, 89, 143, 399, 400, 402
869350	132, 134	1000023603	310	1000139299	143
869352	132, 135	1000023624	310	1000139472	146, 148, 150, 153, 164
869437	337, 339	1000023644	310	1000139553	146, 151, 153, 164
869445	48, 49, 99, 105	1000023646	310	1000139585	146, 152, 153, 164
869485	206, 214, 385	1000023930	310	1000141284	146, 149, 159
869595	18, 206, 211	1000023934	310	1000141300	146, 148, 149, 159
869619	94, 206, 207	1000023951	310	1000141363	146, 148, 149, 159, 160
869621	31, 206, 207	1000023967	310	1000141380	146, 148, 149, 160
869701	7, 8, 81, 99, 105	1000023984	515	1000141423	146, 148, 150, 160
869703	221, 383	1000024025	310	1000141434	146, 148, 152, 160
869852	132, 135	1000024116	515	1000141608	100, 106
869856	86, 206, 211	1000024174	311	1000142451	81, 99, 106
869893	337, 339	1000024184	311	1000145382	146, 148, 160
870084	46, 47, 80, 206, 207	1000024213	311	1000145387	146, 151, 160
870118-S	419	1000025085	311	1000149435	419
870331-S	419	1000025095	311	1000153941	115, 117, 386
871288-S	206, 214, 384	1000025138	311	1000161287	68, 228, 230
880014	222, 395	1000025384	313	1000163318	146, 148, 150, 160
890050	59, 60, 61, 62, 63, 64, 81, 87, 88, 99, 105	1000025389	313	1000163931	416
890063	19, 20, 99, 105	1000025392	313	1000164653	146, 150, 164, 174
890067	7, 99, 105	1000033591	115, 116, 382, 393	1000164828	146, 147, 150, 152, 154, 155, 174
890071	59, 216, 384	1000036118	515	1000165210	146, 153, 154, 165, 174
890072	15, 56, 77, 274	1000036148	2, 5, 226, 229	1000165249	146, 147, 152, 153, 154, 155, 165, 174
890077	219	1000036207	50, 51, 227, 230	1000165306	146, 150, 152, 165
890099	19, 20, 99, 105	1000036217	9, 226, 229	1000168452	420
100124856	466	1000036222	8, 228, 229	1000168631	420
100140026	238	1000036526	50, 227, 229	1000168713	24, 25, 244, 247
1000004716	363, 369	1000036679	67, 68, 69, 228, 230	1000169966	100, 106, 382
1000004842	159	1000036698	6, 227, 230	1000170160	466
1000007617	419	1000036702	4, 226, 229	1000170295	98, 106, 386
1000007618	419	1000039205	14, 335, 338	1000171472	98, 106
1000007893	252, 257	1000039326	335, 338	1000174251	420
1000012572	362, 369	1000039333	335, 338	1000174254	515
1000014287	287	1000039445	335, 338, 339, 390	1000174286	420
1000021106	11, 192, 195, 389, 390	1000039471	14, 92, 335, 338, 339, 390	1000174302	516
1000021465	306	1000039483	14, 335, 338, 339, 390	1000182193	101, 106, 464, 465
1000021516	30, 31, 286	1000039492	14, 92, 335, 338, 339, 391	1000183201	362, 369, 411, 413
1000021519	306	1000039630	6, 216, 217	1000184211	420
1000021544	306	1000039637	6, 7, 362, 369	1000185196	420
1000021564	306	1000039644	59, 60, 61, 62, 63, 64, 87, 88, 99, 105	1000186017	420
1000021571	306	1000039646	146, 148, 152, 159	1000186314	362, 369, 393
1000021585	515	1000039652	146, 154, 159	1000194015	387, 466
1000021587	306	1000039661	6, 9, 227, 230	1000194450	146, 148, 149, 160
1000021649	306	1000039665	9, 227, 230	1000197772	313
1000021684	306	1000039669	10, 238, 240	1000198469	41, 42, 43, 79, 278
1000021705	306	1000039681	11, 192, 195	1000198478	41, 42, 43, 78, 278
1000021905	306	1000039683	10, 11, 192, 195, 390	1000201343	59, 364, 369
1000021925	515	1000039685	10, 192, 195, 390	1000202056	132, 135, 395
1000021964	306	1000039686	12, 244, 247	1000202057	132, 135, 395
1000021997	307	1000039688	12, 244, 247	1000202058	132, 135, 395
1000022005	307	1000039695	254, 257	1000202059	132, 135
1000022068	307	1000039701	15, 16, 30, 294	1000206325M	244, 248
1000022073	307	1000039702	17, 294	1000206429	77, 292, 388
1000022089	307	1000042346	146, 151, 159	1000206466	32, 59, 363, 370
1000022105	307	1000044188	99, 105, 386	1000206510	217
1000022164	307	1000044640	340		
1000022508	515	1000046148	115, 117, 382, 386		
1000022514	307	1000046149	115, 117, 386, 393		
1000022519	307	1000049325	419		
1000022604	307	1000052427	146, 148, 159		





Bergstrom Part Number	Page Number	Bergstrom Part Number	Page Number	Bergstrom Part Number	Page Number
1000207046M	244, 248	1000303295	293	1000477193	20, 100, 107
1000207213	192, 195	1000303297	293, 431, 432, 442, 443,	1000477197	20, 100, 108
1000207216	362, 370		446, 447	1000477479	22, 238, 240
1000207781	221	1000304978	115, 117	1000477612	192, 196
1000208583	133, 135, 387	1000304980	115, 117	1000477644	24, 83, 192, 196
1000208584	133, 135, 387	1000305585	35, 67, 68, 69, 227, 230	1000477648	25, 72, 244, 248
1000211175	192, 195	1000305593	35, 67, 68, 69, 226, 230	1000477649	25, 26, 255, 266
1000213241	36, 69, 70, 71, 238, 240	1000305603	35, 36, 67, 227, 231	1000477653	30, 294
1000213242	36, 238, 240	1000305617	67, 68, 69, 228, 231	1000477674	83, 192, 197
1000213522	420	1000305619	21, 22, 226, 231	1000488420	46, 206, 209, 447
1000214538	420	1000305690	68, 226, 231	1000493450	360
1000216951	245, 248	1000308676	193, 196	1000513101	206, 212
1000220144	244, 248	1000309203	287	1000530615	350, 352
1000220149	59, 362, 370	1000309205	357	1000530630	350, 351
1000220907	115, 117, 386	1000309829	391	1000530645	350, 351
1000220935	206, 211, 388	1000310183	253, 258	1000530647	350, 351
1000222438	33, 34, 100, 107	1000320113	226, 231	1000530681	350
1000222667	115, 117, 386	1000321333	98, 107, 382	1000531021	350, 352
1000223277	146, 151, 154, 165	1000322061	149, 165	1000531390	350, 352
1000223285	146, 151, 154, 165	1000322061	146	1000531455	350, 351
1000223680	99, 107	1000326620	132, 136	1000531458	350, 351
1000224260	222, 388	1000328470M	245, 248	1000531902	350, 351
1000224265	219, 387	1000331105	7, 362, 370	1000531951	350
1000224619	420	1000335550	431, 432	1000532111	350
1000227147	23, 24, 193, 195	1000335581	41, 42, 43, 78, 282	1000532147	350, 352
1000229979	359	1000338843	359	1000532206	350, 352
1000230085	420	1000340317	272	1000532211	350, 352
1000230326	420	1000345640	15, 16, 92, 277	1000532215	350, 352
1000230502	359	1000345678	421	1000533723M	238, 240
1000230729	359	1000346059	46, 47, 206, 207	1000534258	38, 90, 91, 192, 197
1000230792	420	1000346064	46, 80, 206, 207	1000537625	146, 149, 153, 160, 161
1000233458	334, 335	1000346073	206, 207	1000541645	287, 437, 439
1000234569	294, 411, 413	1000346164	206, 208, 395	1000554489	53, 253, 258
1000235371	420	1000346774	206, 211, 395	1000555333	421
1000235880	206, 211, 384, 395	1000346836	206, 211	1000555432	26, 27, 289
1000235954	289	1000346874	46, 47, 80, 206, 208	1000564554	421
1000236036	420	1000347338	18, 208	1000571136	421
1000236697	421	1000347338	206	1000593040	31, 46, 47, 216, 217
1000236701	421	1000348325	46, 80, 206, 208	1000593041	216, 217, 437, 439
1000236731	421	1000348343	206, 208	1000593042	32, 59, 216, 217, 384
1000236773	421	1000348350	18, 206, 208	1000593043	32, 59, 216, 217
1000236777	421	1000348812	99, 107	1000593044	31, 59, 216, 217
1000241452	355	1000348813	99, 107	1000593045	32, 216, 217
1000246481	281	1000349946	319	1000593047	217
1000246795	41, 42, 43, 277	1000352807	71, 72, 192, 196	1000593048	32, 59, 217
1000247777	357	1000355817	71, 72, 192, 196	1000600468	146, 148, 165
1000247778	357	1000356768	98, 107, 382	1000611575	290, 411, 413
1000247779	287	1000365536	431	1000617101	67, 68, 69, 226, 231, 389
1000250287	30, 281	1000369918	244, 248, 394	1000617152	9, 226, 231
1000250288	28, 29, 30, 278	1000370193	376	1000617180	22, 227, 231
1000250290	41, 42, 43, 78, 281	1000371990	363, 370	1000617199	82, 226, 231
1000255724	32, 99, 107, 382, 386	1000373392	206, 208	1000617204	21, 22, 228, 232
1000255753	218, 387	1000373395	18, 31, 206, 208	1000617672	193, 197
1000255856	421	1000373641	46, 206, 208	1000619405	244, 248
1000257387	364, 370, 386	1000373961	206, 209	1000622970	253, 258, 391
1000259338	335	1000378282	37, 192, 196	1000623977	421
1000259751	421	1000381584	146, 149, 160	1000624015	67, 69, 226, 232
1000259980	253, 257	1000390653	421	1000624329	67, 68, 69, 228, 232
1000259981	253, 257	1000399625	206, 209	1000624505	28, 289
1000259983	252, 257	1000406312	47, 206, 211	1000624642	50, 51, 82, 226, 232
1000259984	253, 258	1000409989	206, 209	1000625091	35, 36, 227, 232
1000264808	292, 384, 388	1000416160	209, 388	1000625142	21, 228, 232
1000270409	416	1000416160	206	1000625201	21, 22, 228, 232
1000279367	50, 51, 226, 230	1000417503	27, 338, 339, 355	1000625337	21, 22, 227, 232
1000281228	255, 264	1000417507	27, 338, 339, 355	1000625364	51, 227, 232
1000283836	39, 292	1000426128	98, 107, 393	1000626391	50, 51, 227, 233
1000283926	292, 384	1000426134	359	1000626822	89, 227, 233
1000285448	421	1000427320	19, 20, 115, 117	1000626828	35, 36, 227, 233
1000293121	46, 206, 211	1000431722	206, 211, 384	1000626834	6, 8, 9, 89, 227, 233
1000293541	24, 37, 71, 192, 195	1000431925	22, 23, 238, 240	1000631209	422
1000293542	37, 71, 72, 192, 196	1000439603	421	1000634446	206, 209, 396
1000295771	359	1000449225	146, 148, 165	1000635554	244, 248
1000298975	12, 13, 254, 258	1000451085	146, 150, 165	1000641228	132, 136
1000299598	24, 25, 244, 248	1000451925	206, 212	1000641929	422
1000299874	193, 201	1000462200M	238, 240	1000694101	356
1000300919	193, 196	1000463486	192, 196	1000694282	100, 108, 393
1000303265	292	1000472099	206, 212	1000699298	50, 51, 227, 233
1000303268	293, 432, 442, 443, 447,	1000475399	51, 52, 238, 240	1000699299	21, 22, 227, 233
	448	1000477176	31, 216, 217	1000699300	51, 227, 233



800.499.6849 • shop.bergstrominc.com

633

## 5

## PART NUMBER INDEX

Bergstrom Part Number	Page Number	Bergstrom Part Number	Page Number	Bergstrom Part Number	Page Number
1000699302	50, 226, 233	1001047800	192, 197	1001344423	516
1000699304	9, 227, 233	1001053396	252, 258	1001345204	516
1000699305	9, 227, 234	1001142371	139, 140	1001345260	9, 227, 235
1000699306	9, 227, 234	1001157329	222, 437, 441	1001345354	9, 227, 235
1000699309	21, 22, 228, 234	1001159300	222, 439	1001345364	35, 36, 227, 235
1000699312	9, 227, 234	1001161239	437, 439	1001346384	364, 371
1000699317	9, 226, 234	1001161278	441, 461	1001356228	516
1000699318	82, 226, 234	1001165354	222, 437, 441	1001360137	516
1000699320	67, 68, 69, 228, 234	1001181161	422	1001363523	115, 118
1000712039	46, 206, 209	1001188179	8, 9, 227, 234	1001369275	363, 371
1000713079	387, 466	1001202121	177, 178, 179	1001370182	517
1000715576	206, 209, 388	1001202129	177, 178, 179	1001370413	517
1000723375	182	1001202145	146, 150, 161	1001374173	147, 155, 162
1000724685	378	1001202155	146, 153, 161	1001384786	154, 162, 163
1000734305	115, 117	1001202157	146, 153, 161	1001384829	517
1000735599	363, 370	1001203448	431	1001384875	517
1000755681	31, 217	1001216611	435	1001385394	517
1000761785	359	1001216705	120	1001385729	517
1000812369	255, 266	1001216759	120	1001385828	517
1000812426	26, 255, 267	1001220529	139, 140	1001386291	517
1000812940	441	1001229584	223, 461	1001388232	517
1000813036	439	1001229640	223, 461	1001396392	517
1000813037	437	1001240076-S	422	1001396393	517
1000813038	439	1001249654	146, 149, 161	1001396394	517
1000813400	461	1001249691	146, 149, 161	1001396395	517
1000814235	461	1001250650	146, 149, 161	1001396396	517
1000814236	441	1001255095	146, 150, 152, 161	1001396399	517
1000830137	422	1001256639	146, 151, 161	1001397464	437, 439, 441
1000841164	19, 363, 370	1001256651	151, 161, 162	1001397759	518
1000841699	19, 363, 370	1001256654	146, 151, 152, 162	1001398381	192, 197
1000860818	218	1001260067	314, 329	1001400136	176
1000870952	146, 150, 166, 174	1001260070	314	1001400264	241
1000872619	146, 149, 166	1001260075	314, 329	1001400265	197
1000872633	146, 149, 166	1001260076	314, 329	1001401792	39, 289, 395
1000872650	146, 148, 153, 166	1001264912	254, 264, 391	1001402193	518
1000872711	146, 147, 148, 149, 155, 166	1001264936	255, 264, 391	1001402674	518
		1001266966	19, 20, 98, 108	1001404191	518
1000873174	146, 149, 166	1001268625	516	1001404629	10, 193, 197
1000873181	146, 150, 166	1001269115	516	1001404667	437, 439, 441
1000875777	218, 387	1001269123	288	1001404882	437, 439, 441
1000875779	218, 394	1001269129	516	1001406901	518
1000875788	218, 387	1001269136	516	1001407416	518
1000875789	218	1001269143	516	1001408847	518
1000875793	218, 387	1001269150	516	1001410556	518
1000875801	218	1001272224	6, 81, 217	1001410921	176
1000876272	218	1001272236	85, 293	1001410931	176
1000883432	7, 81, 363, 371	1001272970	48, 81, 362, 371	1001410935	176
1000902271	516	1001275398	422	1001411187	518
1000913789	422	1001275456	422	1001412708	518
1000921339	422	1001275466	422	1001420498	518
1000925120	516	1001275785	50, 51, 226, 234	1001420499	518
1000925201	218	1001275789	83, 244, 248	1001420500	518
1000925735	13, 27, 290	1001276271	422	1001421323	518
1000927678	360	1001276274	423	1001426166	518
1000927737	360	1001276615	83, 192, 197	1001429553	100, 108, 393
1000943151	139, 140, 394	1001276674	48, 49, 98, 108	1001429706	255, 264, 391
1000947181	422	1001284911	120	1001439657	238, 241
1000948088	422	1001287118	291	1001443376	83, 192, 197, 390
1000948096	213	1001287300	288	1001443378	413
1000948098	278	1001306141	363, 371	1001443384	10, 11, 52, 71, 90, 91, 193, 198, 383, 390
1000948101	3, 16, 28, 279, 431	1001321603	146, 148, 162		
1000948102	279, 384	1001321790	146, 148, 162	1001443391	37, 38, 192, 198, 390
1000948225	422	1001321949	146, 148, 162	1001443769	72, 193, 198
1000954752	81, 115, 118	1001322225	146, 151, 162	1001443771	38, 71, 72, 193, 198, 390
1000969524	146, 150, 166	1001322595	146, 149, 162	1001443774	23, 71, 72, 193, 198, 390
1000988616	341, 437, 439, 441, 461	1001322640	146, 152, 162	1001443777	23, 24, 52, 193, 200, 390
1000988618	341, 437, 439, 441, 461	1001326527	310	1001443780	193, 200, 390
1001004144	441, 461	1001327197	223, 439	1001443787	71, 72, 193, 201, 390
1001004175	437, 439	1001330451	411	1001443791	10, 11, 23, 37, 38, 72, 90, 91, 193, 198, 383, 390, 431, 432, 442, 443, 446, 447, 448
1001004181	437, 439	1001330466	411		
1001009235	516	1001330470	423		
1001013603	441, 461	1001338290	323	1001443793	37, 38, 192, 198, 390
1001013646	437, 439	1001338301	323	1001443794	11, 12, 24, 193, 201, 390
1001015619	441, 461	1001338564	323	1001443802	71, 72, 192, 198, 390
1001015620	441, 461	1001338581	323	1001443803	23, 24, 192, 198, 390
1001015622	437, 439	1001342458	457	1001443807	193, 199, 390
1001016645	411, 413	1001342463	457	1001443809	193, 200, 390
1001029579	422	1001342517	115, 118	1001443810	192, 199, 390
1001044338	115, 118	1001344307	516		

Bergstrom Part Number	Page Number	Bergstrom Part Number	Page Number	Bergstrom Part Number	Page Number
1001444332	508	1001458233	331	1001574340	519
1001444334	519	1001458249	331	1001574350	519
1001444351	364, 371	1001458250	332	1001579532	519
10014455635	193, 199	1001458251	331	1001579546	519
1001445648	10, 193, 199	1001458255	332	1001579692	319
1001447917	413	1001458257	332	1001580069	322
1001447961	509	1001458258	332	1001580070	322
1001448060	193, 199	1001458259	332	1001580073	322
1001448066	52, 192, 199	1001458260	332	1001580089	318
1001449683	193, 199, 390	1001458283	332	1001580093	318
1001450297	12, 13, 72, 73, 74, 75, 76, 7 7, 252, 258	1001458288	332	1001580096	318
		1001458290	332	1001580103	318
1001450357	252, 258	1001458292	333	1001580106	318
1001450363	12, 13, 252, 258, 391	1001458293	332	1001580108	318
1001450386	12, 13, 26, 254, 264	1001458294	333	1001580109	318
1001450393	12, 13, 252, 259	1001458299	333	1001580111	318
1001450396	12, 13, 252, 259	1001458301	333	1001580116	318
1001450408	12, 13, 252, 259	1001458303	333	1001580117	319
1001450425	12, 13, 254, 259	1001458305	333	1001580119	318
1001450427	12, 254, 259	1001458308	333	1001580120	319
1001450631	25, 26, 252, 259	1001458310	333	1001580123	318
1001450636	25, 26, 255, 267	1001458311	333	1001580131	321
1001450645	255, 267	1001458313	333	1001580133	321
1001450661	25, 26, 255, 267	1001458314	333	1001580140	321
1001451454	39, 73, 74, 75, 76, 252, 259	1001458323	333	1001580143	321
1001451771	39, 252, 259	1001458324	333	1001580182	322
1001451776	53, 54, 253, 259	1001458325	333	1001580190	323
1001451908	53, 72, 77, 92, 252, 260	1001465094	192, 199, 390	1001580196	323
1001451952	53, 54, 91, 92, 253, 260	1001465619	193, 201, 390	1001580200	323
1001451954	73, 74, 75, 76, 77, 255, 267	1001465631	192, 199, 390	1001580201	318
1001451959	39, 73, 74, 75, 76, 255, 267	1001465662	192, 200	1001582686	100, 108
1001452021	39, 73, 252, 260	1001465663	192, 200	1001587278	100, 108
1001452027	39, 73, 74, 75, 76, 253, 260	1001468089	192, 200, 390	1001590157	457
1001452028	39, 73, 74, 75, 76, 253, 260	1001468090	192, 200, 390	1001590271	519
1001452029	53, 54, 84, 253, 260	1001478794	73, 74, 75, 76, 253, 262, 391	1001592577	423
1001452030	84, 253, 260			1001594399	321
1001452033	253, 260	1001478797	253, 262, 391	1001595686	519
1001452040	254, 260, 432	1001478801	2, 53, 54, 84, 252, 262	1001608733	519
1001452271	519	1001478804	76, 253, 262, 391	1001612436	116, 118
1001452286	519	1001478811	254, 264	1001616296	116, 118, 382, 386
1001452318	2, 39, 72, 77, 252, 261	1001479323M	245, 248	1001639549	314, 329
1001452327	39, 75, 76, 253, 261	1001479504	53, 54, 253, 262	1001639551	314, 329
1001452332	254, 264, 391	1001479516	255, 265	1001639552	314, 329
1001452336	255, 264	1001479521	53, 54, 253, 262, 391	1001639553	314, 329
1001452347	255, 267	1001487640	122, 386	1001660308	519
1001452358	253, 261, 391	1001487641	122, 386	1001685792	448
1001452359	255, 265	1001487642	122, 382, 394	1001697266	423
1001452361	254, 265, 384, 391	1001487643	122, 123, 394	1001745142	120, 121
1001452409	255, 267	1001487644	122, 123, 382, 389, 394	1001756154	416
1001453083	254, 261, 391	1001487645	122, 123, 382	1001780189	423
1001453097	255, 265	1001487646	122, 123, 382	1001792107	508
1001453427	254, 261	1001487647	122, 123, 387	1001793977	520
1001453429	254, 265	1001487648	122, 123, 386, 387	1001819763	179, 423
1001453433	252, 261, 391	1001487649	122, 123, 386	1001826308	411
1001453455	252, 261	1001487655	122, 123, 394	1001842799	308
1001453456	254, 261, 391	1001489683	70, 71, 238, 241	1001844355	308
1001453765	253, 261, 391	1001489790	193, 201, 390	1001844394	520
1001457683	330	1001493206	227, 235	1001845014	520
1001457686	330	1001494889	122, 123	1001851262	309
1001457688	330	1001497245	519	1001851271	309
1001457850	330	1001509595	519	1001860902	13, 91, 92, 254, 262
1001457851	330	1001513275	78, 79, 282	1001876252	115, 118
1001457852	330	1001520651	293	1001883505	122, 124
1001457853	330	1001520903	255, 265	1001884257	44, 45, 46, 286
1001457854	330	1001534189	69, 70, 71, 238, 241	1001889661	146, 152, 163
1001457855	330	1001548259	122, 124	1001889674	146, 152, 166
1001457856	330	1001549546	519	1001889690	146, 149, 163
1001457857	330	1001551461	289	1001889700	148, 163
1001457859	331	1001561385	330	1001932834	146, 151, 153, 154, 167
1001457860	331	1001561396	331	1002003336	31, 46, 47, 217
1001457861	331	1001562220	296	1002026901	146, 151, 153, 154, 167
1001457862	331	1001562233	296	1002044722	28, 29, 282
1001457863	331	1001562240	296	1002080211	297, 344
1001457868	331	1001562246	296	1002080684	297
1001457869	331	1001562250	296	1002080687	297
1001458217	331	1001562293	298	1002080699	297
1001458219	331	1001564223	297	1002081323	290
1001458220	331	1001565070	179	1002086599	520
1001458226	331	1001574134	519	1002089977	252, 262, 391

**5**  
PART NUMBER INDEX



800.499.6849 • shop.bergstrominc.com

5

PART NUMBER INDEX

Bergstrom Part Number	Page Number	Bergstrom Part Number	Page Number	Bergstrom Part Number	Page Number
1002090588	39, 252, 262	1002766565	528	B221670	293, 447
1002104479	226, 235	1002766566	529	B221841	289
1002106141	253, 263, 391	1002775910	537	B222013	27, 56, 78, 276
1002106849	340	1002780424	521	B222166	77, 92, 291, 384, 457
1002106852	340	1002823344	417	B222647	289
1002106854	340	1002825403	355	B222973	291
1002124900	520	1002825404	222	B222975	14, 15, 28, 92, 274, 384, 388
1002186970	423	1002839006	424		
1002187206	423	1002839530	531	B222987	287, 384
1002192042	360	1002839531	531	B223084	293
1002206104	520	1002839532	532	B223109	424
1002206590	355	1002839533	532	B260030	126, 127
1002236489	413	1002862005	212	B260031	126, 127, 382
1002243215	511	1002865667	223	B260170	128, 129, 382, 386, 447
1002243216	511	1002893213	413	B260171	128, 129, 382, 386
1002274327	520	1002895726	212, 439	B260570	128, 129, 382
1002279857	520	1002895726	206	B260640	64, 65, 66, 126, 127, 386
1002287239	297	1002912231	185	B260680	4, 34, 49, 66, 82, 128, 129
1002287262	297	1002921593	47, 206, 212	B260720	82, 126, 128
1002290824	297	1002942476	212	B260770	126, 128
1002292110	297	1002942477	206, 212	B260816	126, 128
1002300971	314, 329	1002949575	466	B265330	139, 140
1002300976	314, 329	1002966740	429	B265600	139, 140, 458
1002300977	314, 329	1002972032	254, 263	B265605	139, 140
1002301587	314, 329	1002972033	254, 263	B265620	139, 140, 464, 465
1002301589	72, 314	1002976941	429	B274284	101, 108, 464
1002308804	520	1002978752	466	B275102	111, 113
1002332305	122, 124	1002978831	540	B275130	99, 108
1002333250	115, 118	1002979466	466	B275140	98, 109, 382, 386
1002346630	520	1002995292	466	B275141	19, 63, 98, 109, 386
1002362530	146, 153, 167	1002998206	467	B275152	111, 113, 382
1002364849	423	1002998376	467	B275156	111, 113
1002379748	423	1002998772	467	B275158	111, 113, 393
1002382256	511	1003008277	455, 514	B275165	32, 99, 109, 458
1002386000	423	1003008278	514	B275166	98, 109
1002396857	146, 148, 150, 167	1003020546	132, 136	B275181	111, 114, 386
1002411890	146, 153, 163	1003025544	467	B275190	99, 109, 382
1002416180	415	1003042201	541	B275202	32, 111, 114
1002430992	338, 339	1003042954	542	B275232	100, 109
1002431328	338, 339	1003046444	467	B275240	33, 98, 109
1002431343	339	1003054341	521	B275241	98, 109
1002442276	222	1003059074	521	B275254	111, 114, 393
1002447375	254, 264	1003059080	521	B275256	111, 114
1002460531	254, 263	1003065486	546	B275258	111, 114
1002477045	120, 121	1003065966	521	B275265	99, 109, 458
1002478731	120, 121	1003066537	521	B275266	98, 110, 393
1002479122	120, 121	1003066545	521	B280354	249
1002479301	120, 121	1003088131	510	B280354	244
1002486423	466	1003088137	536	B280360	244, 249
1002487273	334, 335, 339	1003091375	537	B280383	245, 249, 383
1002487275	334, 335, 339	1003097759	537	B280406	244, 249, 383
1002493430	423	1003249995	533	B290012	424
1002493457-S	423	1003249996	533	B290065	343
1002493785	423	1003249997	533	B290214	343
1002494501	466	B11373	350, 351	B290215	424
1002505417	293	B170145	378	B290247	343, 383
1002508370	335, 338, 339	B173070	340, 383	B290279	521
1002508371	334, 335, 338	B173089	206, 209, 432	B290303	343
1002509897	268	B173090	206, 210, 395	B290304	343
1002513539	530	B173131	206, 210, 446	B290306	521
1002549432	520	B173140	206, 210	B290312	521
1002555730	520	B173142	206, 210	B290342	521
1002555731	520	B173148	206, 210	B300014	340
1002598077	376	B173153	206, 210, 384, 385	B300222	357
1002614241	254, 263	B200115	424	B300242	384
1002631356	415	B200307	424	B300515	341
1002631357	423	B200308	384	B300571	424
1002637500	508, 509	B202208	424	B300613	521
1002660847	451	B202303	356	B300637	521
1002712150	120, 121	B203819	384, 388	B300638	521
1002719050	453	B203845	340	B300642	521
1002755105	520	B203846	340	B300648	522
1002759932	524	B220300	92, 274	B300652	360
1002766559	524	B220743	274, 431	B311000	343, 383
1002766560	525	B220891	44, 86, 273	B312000	343, 383, 387
1002766561	526	B220990	293, 384, 388, 446, 447	B314000	343
1002766562	527	B221005	275	B315000	343
1002766563	527	B221181	27, 28, 56, 78, 275	B316000	343
		B221503	39, 40, 275	B320000	344



Bergstrom Part Number	Page Number	Bergstrom Part Number	Page Number	Bergstrom Part Number	Page Number
B330155	215	B402562	3, 252, 263, 391	B409037	321
B330245	215	B402565	39, 53, 54, 84, 92, 252, 263	B409039	317
B330308	215	B402618	254, 265, 391	B409041	320
B330369	215	B402827	177, 178, 179	B409045	317
B330379	215	B402842	146, 152, 163	B409046	317
B330393	206, 210, 384	B404019	44, 45, 93, 284	B409047	320
B342550	424	B404028	30, 93, 286, 431, 432, 446, 447, 448	B409055	322
B351900	424			B409056	322
B352700	424	B404075	31, 286, 442, 443	B409057	322
B354011	424	B404089	57, 286	B409076	317
B360104	378	B404093	3, 282	B409077	316
B360113	345	B404097	15, 16, 41, 43, 56, 79, 282, 392	B409086	319
B360151	378, 387			B409087	316
B360157	378	B404121	28, 29, 279	B409091	320
B360208	340	B404122	16, 30, 279	B409094	320
B360224	378	B404123	28, 29, 79, 282	B409097	319
B360274	424	B404144	16, 28, 29, 282	B409100	316
B360289	376	B404145	286, 384	B411193	116, 118
B360312	341	B404220	282	B411271	115, 119, 393
B360348	376	B404270	186, 188	B411330	115, 119
B360400	377	B404271	186, 188	B411343	115, 119, 386
B360448	378	B404276	279	B411465	116, 119, 393
B360450	340	B404277	279	B416113	185, 402
B360478	378	B404278	279	B416371	185, 402
B360561	377	B404279	282, 384	B416551	355
B360584	378	B404283	279	B416617	288, 464, 465
B360585	378, 383, 387	B404284	56, 57, 279	B416912	360, 402
B360593	378	B404285	280	B416964	345, 431, 432
B360649	379	B404292	37, 52, 71, 72, 83, 91, 193, 201, 390	B416965	345, 431, 432
B360692	424			B416998	362, 373, 432
B360715	379	B404308	286	B417084	288
B360754	377, 387	B405429	215	B417167	288, 402
B360761	377	B405430	340	B417227	206, 213
B360769	377	B405431	340	B417261	442
B360783	379	B405433	340	B417262	446, 447
B360833	379, 383	B405434	340	B509185	384
B360849	345	B405576	342	B509923	218
B360850	377	B407162	363, 371, 446, 447	B510563-S	268
B360867	128, 129, 382	B407176	364, 371, 443	B514043-S	268
B360874	189, 339	B407234	363, 371	B517964	364, 373
B360880	379, 446	B407294	362, 372	B936213	463
B360917	128, 129, 394	B407340	364, 372	B944184	116, 119, 386
B360924	377, 384	B407358	364, 372, 382	BES2400	483, 488
B360934	223, 384	B407359	362, 372	BES2600LH	490
B380007	220, 383	B407364	362, 372, 386	BES3000	492
B380032	220	B407365	364, 372, 386	E525076	379, 383
B380053	220, 383, 387	B407367	363, 372, 386	E525082	221, 387
B380060	220	B407368	364, 372	E650012-900	287
B380061	220	B407371	362, 372	F45-1001	424
B380076	220	B407372	363, 373, 447	F45-1002	425
B380087	220, 387	B407387	363, 373	FVF120	471, 472
B380088	220, 383, 391	B409000	316	FVV50	471, 474
B380091	220	B409001	316	FVV60	471
B380096	221, 383	B409003	316	FVV150	471, 478
B380099	221, 383	B409009	316	FVW100	471, 480
B380100	221	B409013	320	MPV5	483, 484
B380102	221, 383	B409014	320	MPV9	483, 486
B400074	238, 241, 431	B409015	320	TBV6	495, 496
B400165	238, 241	B409016	317	TCR6	495, 498
B400174	238, 241	B409017	317	TDR5	495, 500
B400189	238, 241	B409022	315	TPR6	495, 502
B401036	82, 226, 235	B409023	315	TPW5	495, 504
B401080	226, 235, 432, 458	B409025	315		
B401102	226, 235, 431	B409027	315		
B402496	253, 263	B409028	315		

**5**  
PART NUMBER INDEX



800.499.6849 • shop.bergstrominc.com



**Bergstrom Parts - Aftermarket Warranty Policy**  
**Express Limited Warranty for Units and Replacement Parts**

Bergstrom Parts, warrants its HVAC replacement parts installed in on-highway vehicles against any defects in material and / or workmanship for a period of one year from the date of original installation or 100,000 miles, whichever comes first. Bergstrom Parts warrants its HVAC replacement parts installed in off-road vehicles against any defects in material and / or workmanship for a period of one year from date of original installation or 1,500 hours, whichever comes first. In the event that a defect is discovered during the warranty period, Bergstrom Parts agrees that, at its option, it will repair, replace or credit the defective product, when returned, transportation prepaid to Bergstrom Parts. Any product repaired or replaced under this warranty will be warranted only for the remainder of the original product's warranty period. The Bergstrom Parts warranty does not apply to normal maintenance items, consumable products or components such as, but not limited to belts, hoses, compressor shaft seals, gaskets, clutch and compressor bearings, valves, receiver dryers, chemicals, oils, bulbs and filters.

**WARRANTY LIMITATIONS**

The above warranty does not apply to any complete Bergstrom proprietary unit or component which, after shipment by Bergstrom: shall have been repaired or altered outside of Bergstrom's factory in any way so as, in Bergstrom's judgment, to adversely affect its operation; shall have been subject to misuse, negligence, accident or damage; shall have been installed contrary to recommended installation practice in any way or shall have been used in conjunction with other Bergstrom system components, so as, in Bergstrom's judgment, to adversely affect its operation. It is common for installers to use components from several different manufacturers. If these component substitutions result in the failure of Bergstrom Systems, Units or other Parts, the Bergstrom Part will not be covered. Alteration, substitution of components and/or parts, or improper installation shall make null or void any warranty, express or implied. The Bergstrom Parts warranty is the sole property of the original owner-user-consumer and is not transferable. A transfer of ownership shall terminate / void any remaining warranty. Problems arising from improper installation are the responsibility of the installer and are not covered by the Bergstrom warranty. Bergstrom reserves the right to make change or improvements in design or product, without thereby obligating itself to install the same operation upon its products previously manufactured. No representative of Bergstrom, except an authorized officer, not any Bergstrom distributor or dealer, has authority to change or extend the warranty in any manner whatsoever.

**WARRANTY DISCLAIMER**

The warranties printed above are the only warranties applicable to the order or the goods. All other warranties, express or implied, including but not limited to the implied warranties of merchantability and fitness for a particular purpose, are disclaimed.

**LIMITATION OF LIABILITY**

Bergstrom parts shall not be liable, whether in contract, in tort, under any warranty, in negligence, or otherwise, for incidental, consequential or special damages, including without limitation costs of removal or shipment, damage to vehicles, contents or product cargo, expenses for towing, rentals or expenses incurred from the failure of any unit or parts thereof to operate properly, labor, refrigerant or loss of profits involved in the replacement of a failed part, injury or damage to trucks, contents, or persons by reason of installation of any Bergstrom product or its mechanical failures or otherwise, including any tort liability for negligent design nor manufacture of this product. Under no circumstances shall Bergstrom parts' liability or buyer's remedy for damages against Bergstrom parts exceed the amount of the purchase price of goods sold for which or relating to which claim is made. In the event that Bergstrom parts' warranty, if any, or any other obligation of Bergstrom parts applicable to the goods fails of its essential purpose, buyer's exclusive remedy shall be limited to return of or credit for so much of the purchase price as is applicable to the goods which are nonconforming or defective, provided such goods are returned to Bergstrom parts. The price stated for the goods is based upon and in consideration for limiting Bergstrom parts' liability. No action arising out of the order or pertaining to the goods may be brought by buyer more than fifteen (15) months after the date of shipment of the goods by Bergstrom parts to buyer. Buyer's remedies as provided herein are its sole and exclusive remedies.

**LIMITATION OF REMEDIES**

Some states within the United States do not allow the disclaimer of implied warranties and if this is true in your state the above limitation may not apply to you. This warranty gives you specific rights, and you may have other rights that vary from state to state.

Please refer to the Bergstrom website for complete warranty details and claim information, <https://warranty.bergstrominc.com/>



**Bergstrom Warranty**

Welcome to the Bergstrom Warranty website

<p><b>Account Registration</b></p> <p>To submit a warranty claim for your product you must first have an account for your location. Click the link below to fill out the registration form.</p> <p align="center"><a href="#">Registration</a></p>
--

<p><b>Submit Warranty Claim</b></p> <p>Account Number <input type="text"/></p> <p>Password <input type="password"/></p> <p align="center"><input type="button" value="Continue"/></p> <p align="center">Login problems? <a href="#">Email Support</a></p>
---

<p><b>Product Warranty Registration</b></p> <p><a href="#">Bus Aftermarket A/C System Warranty Registration Form</a></p>
--

# GLOBAL LEADER IN THERMAL MANAGEMENT



Distributed by:

©2023 Bergstrom, Inc.  
Part # BAFT-C-FULL-23R3-EN-B



**THIRD EDITION**

Bergstrom, Inc. | 2390 Blackhawk Rd. | Rockford, IL 61109  
[shop.bergstrominc.com](http://shop.bergstrominc.com)