

NEW PRODUCTS

29 NEW PRODUCTS

MAY 1ST, 2023



SHARE YOUR PHOTOS ON
FACEBOOK OR
INSTAGRAM USING **@MAXXIMA**

PANOR CORP/MAXXIMA

125 Cabot Court, Hauppauge, NY 11788 USA

Tel: 631.434.1200 | 1.866.MAXXIMA

Fax: 631.434.1457

info@maxxima.com | www.maxxima.com



NEW

M84427-SERIES 3" X 6" LED INTERIOR LIGHT



M84427-B



M84427-SW



M84427-PIR



M84427-B	3" x 6" Rectangular Dome Light 650 Lumens
M84427-SW	3" x 6" Rectangular Dome Light 650 Lumens - On/Off Switch
M84427-PIR	3" x 6" Rectangular Dome Light 650 Lumens - PIR Sensor

SPECIFICATIONS

Lumens	650
Voltage	12/24VDC
Amp Draw	0.6A 12V / 0.3A 24V
Dimensions	5.8" W x 2.8" H x 0.5" D
Mounting	2 Hole Surface, 2.7" C to C
Connector	2 Leads Blunt Cut, 9"
LEDs	14

FEATURES

- Available in 3 configurations including:
 - Illuminated Touch Switch (-SW)
 - PIR Motion Sensor (-PIR)
- Refrigeration / Moisture Safe
- Polycarbonate Frosted Lens & Housing
- 5 Year Warranty

NEW

M09400WCL-D LED INTERIOR LIGHT, METRI-PACK CONNECTOR



M09400WCL-D	1 1/4" Round White Courtesy Light, Metri-Pack Connector
--------------------	---

SPECIFICATIONS

Lumens	50
Voltage	12.8VDC
Amp Draw	40mA
Dimensions	1.25" Diam. x 1.0" H
Mounting	Grommet, 1-3/8" Hole
Connector	2 Jacketed Leads, Metri-Pack M150, 7"
LEDs	6

FEATURES

- 1-1/4 White Low Intensity Light
- 50 Lumens
- Metri-Pack M150 Connector
- 5 Year Warranty

NEW MINI-LIGHTBARS

AVAILABLE JUNE 2023



M20487YCL Mag Mount



M20488YCL Permanent Mount

- M20487YCL** Warning Minibar, Amber Clear Lens, Mag Mount
- M20487YWCL** Warning Minibar, Amber/White Clear Lens, Mag Mount
- M20488YCL** Warning Minibar, Amber Clear Lens, Permanent Mount

SPECIFICATIONS

Voltage	12/24VDC
Amp Draw	4.0A 12V / 2.0A 24V
Dimensions	15.4"L x 8.5"W x 2.2" H
Mounting	
- M20487	Mag Mount
- M20488	4 Hole Surface
Connector	
- M20487	Cig. Plug, 15 ft.
- M20488	3 Wire Blunt Cut, 15"
LEDs	80
Legal Heading	W3-1
SAE	J845 Class 1A, CA 13

FEATURES

- 13 Selectable Flash Patterns
- SAE Class 1 & CA 13 Compliant
- Polycarbonate Lens & Aluminum Housing
- Low Profile Design
- Retail Packaging
- 5 Year Warranty

UPGRADED LED WORK LIGHTS

IMPROVED

NOW 20 - 30% BRIGHTER

MWL-19-B and MWL-26-B



MWL-19-B		MWL-26-B		FEATURES
Round 15 LED Work Light 800 Lm 12/24VDC		Rectangular 15 LED Work Light 900 Lm 12/24VDC		
Lumens	800	Lumens	900	<ul style="list-style-type: none"> • Increased to 800 Lumens (MWL-19-B) and 900 Lumens (MWL-26-B) • Low Amp Draw • Polycarbonate Lens & Housing • Thin Profile • Stainless Steel Bracket & Bolt • Retail Packaging • 5 Year Warranty
Voltage	12/24VDC	Voltage	12/24VDC	
Amp Draw	0.7A 12V / 0.4A 24V	Amp Draw	0.7A 12V / 0.4A 24V	
Dimensions	4.8" Diam. x 1.5" D	Dimensions	5.9"W x 3.7"H x 1.2"D	
Mounting	M8 Stainless Steel Bolt	Mounting	M8 Stainless Steel Bolt	
Connector	2 Leads Blunt Cut, 11"	Connector	2 Leads Blunt Cut, 11"	
LEDs	15	LEDs	15	
<i>MWL-19-B replaces MWL-19-A</i>		<i>MWL-26-B replaces MWL-26-A</i>		

NOW 20 - 30% BRIGHTER

MWL-38-A and MWL-39-A



MWL-38-A		MWL-39-A		FEATURES
Round 15 LED Work Light 1,200 Lm 12/24VDC		Rectangular 15 LED Work Light 900 Lm 12/24VDC		
Lumens	1,200	Lumens	1,300	<ul style="list-style-type: none"> • Increased to 1,200 Lumens (MWL-38-A) and 1,300 Lumens (MWL-39-A) • Low Amp Draw • Polycarbonate Lens & Housing • Thin Profile • Stainless Steel Bracket & Bolt • Retail Packaging • 5 Year Warranty
Voltage	12/24VDC	Voltage	12/24VDC	
Amp Draw	1.2A 12V / 0.6A 24V	Amp Draw	1.3A 12V / 0.7A 24V	
Dimensions	4.8" Diam. x 1.5" D	Dimensions	5.9"W x 3.7"H x 1.2"D	
Mounting	M8 Stainless Steel Bolt	Mounting	M8 Stainless Steel Bolt	
Connector	2 Leads Blunt Cut, 11"	Connector	2 Leads Blunt Cut, 11"	
LEDs	15	LEDs	15	
<i>MWL-38-A replaces MWL-38</i>		<i>MWL-39-A replaces MWL-39</i>		

NEW

MWL-52 90-DEGREE LED WORK LIGHT

The MWL-52 is a surface mount exterior work light designed to attach to a flat surface and illuminate the area directly above, below or to the side of the light.



It features a high output 2,500 Lumen beam and a coated black housing. This light features an aluminum housing and polycarbonate lens and is backed by a 5-year warranty.



90-Degree Off-Axis Lighting



Side View



Includes Mounting Gasket



Includes Optional Stand-Off Bracket



MWL-52 11" x 2" Work Light 90-Degree Surface Mount 2,500 Lumen		
SPECIFICATIONS		FEATURES
Lumens	2,500	• 90-Degree Lighting
Voltage	12/24VDC	• 2,500 Lumens
Amp Draw	2.4A 12V / 1.2 24V	• 12/24VDC Dual Voltage
Dimensions	10.7"W x 1.6"H x 1.8"D	• Includes Gasket and Stand-Off Bracket
Mounting	2 Hole Surface, 10" Center to Center	• Polycarbonate Lens & Aluminum Housing
Connector	2 Leads Blunt Cut, 11"	• Retail Packaging
LEDs	8	• 5 Year Warranty

NEW

INTRODUCING THE NEWLY REDESIGNED "MODEL 20"

The New MWL-20-A is now even more compact and upgraded to 1,450 Lumens. It comes with a standard U-Bracket as well as an extended bracket that allows more flexibility in mounting options and locations.



Extended Bracket
on a horizontal surface



Extended Bracket
on a vertical surface

MWL-20-A Mini Square LED Work Light 1,450 Lm 12/24VDC

SPECIFICATIONS

Lumens	1,450
Voltage	12/24VDC
Amp Draw	1.3A 12V / 0.7 24V
Dimensions	3.0"W x 2.8"H x 2.3"D
Mounting	M10 Stainless Steel Bolt
Connector	2 Leads Blunt Cut, 15"
LEDs	4

FEATURES

- Compact Size
- 1,450 Lumens
- 12/24VDC Dual Voltage
- Includes Standard Bracket & Extended Bracket
- Polycarbonate Lens & Aluminum Housing
- Retail Packaging
- 5 Year Warranty

MWL-20-A replaces MWL-20

NEW

INTRODUCING THE NEWLY REDESIGNED "MODEL 36"

The New MWL-36-A is now more compact and brighter with an impressive 4,200 Lumens flood beam pattern. This light features an integrated on-off switch, and the hardwired pigtail comes terminated with a Deutsch-style DT04 connector.



MWL-36-A Round 9 LED Work Light w/ Switch 4,200 Lm 12/24VDC Deutsch Connector

SPECIFICATIONS

Lumens	4,200
Voltage	12/24VDC
Amp Draw	3.6A 12V / 1.8 24V
Dimensions	4.6" Diam. x 3.2"D (Light Only) 4.6" W x 9.4" H x 3.2" Overall
Mounting	4 Hole Surface, 3.7" x 0.85" C to C
Connector	Hardwired 11" Pigtail with DT04 Plug
LEDs	9

FEATURES

- Adjustable Work Light
- 4,200 Lumens
- 12/24VDC Dual Voltage
- Integrated On-Off Switch
- Polycarbonate Lens & Aluminum Housing
- Retail Packaging
- 5 Year Warranty

MWL-36-A replaces MWL-36

INTERIOR DOME LIGHTS

NEW INTRODUCING THE NEWLY REDESIGNED "M84415-B"

Now 2,100 Lumens, the M84415-B interior dome light / cargo light is well suited for refrigerated trailers and is refrigeration / moisture safe. It is a high output light with a frosted lens for even light distribution. Its multiple mounting holes and slots allow it to replace several popular brands.



Side View

M84415-B Flush Mount Interior Light, 2,100 Lumens

SPECIFICATIONS

Lumens	2,100
Voltage	12.8VDC
Amp Draw	1.9A
Dimensions	18.2" L x 5.3" W x 1.2" D
Mounting	4 Hole Flush Mount
Connector	2 Leads Blunt Cut, 12"
LEDs	30

FEATURES

- High Output LED Dome or Cargo Light
- 2,100 Lumens
- Refrigeration / Moisture Safe
- Universal Bolt Holes Replace Several Popular Brands
- Frosted Lens
- Polycarbonate Lens & Housing
- 5 Year Warranty

Replaces M84415-A

NEW INTRODUCING THE NEWLY REDESIGNED "M84444-A"

Now 1,700 Lumens, the M84444-A interior dome light / cargo light with PIR Motion Sensor is well suited for refrigerated trailers and is refrigeration / moisture safe. It is a high output light with a frosted lens for even light distribution. Its multiple mounting holes and slots allow it to replace several popular brands.



Side View

AVAILABLE JUNE 2023

M84444-A 18" Flush Mount Interior Light 1,700 Lumens - PIR Sensor

SPECIFICATIONS

Lumens	1,700
Voltage	12.8VDC
Amp Draw	1.5A
Dimensions	18.2" L x 5.3" W x 1.2" D
Mounting	4 Hole Flush Mount
Connector	2 Leads Blunt Cut, 12"
LEDs	48

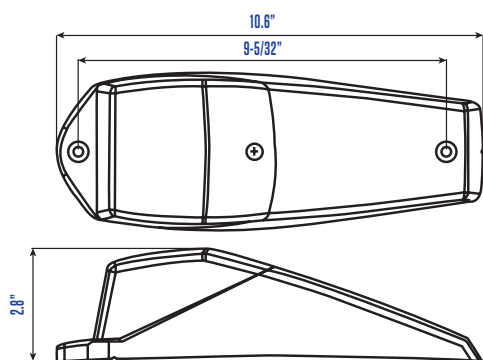
FEATURES

- 1,700 Lumens Dome or Cargo Light
- PIR Motion Sensor – 3 min. Timer
- Refrigeration / Moisture Safe
- Universal Bolt Holes Replace Several Popular Brands
- Frosted Lens
- Polycarbonate Lens & Housing
- 5 Year Warranty

Replaces M84444

NEW

M17011Y CHROME AMBER CAB MARKER



M17011Y Chrome Cab Marker Amber

SPECIFICATIONS

LEDs	17
Voltage	12.8VDC
Amp Draw	140mA
Dimensions	10.6" L x 3.9" W x 2.8"
Mounting	2 Hole Surface, 9-5/32" C to C
Connector	2 Leads Blunt Cut
Legal Heading	P2 P3 PC2
DOT/SAE	J592, J2042

FEATURES

- Chrome Cab Marker
- Popular Pete & KW Style
- Acrylic Lens & Chrome ABS Housing
- Includes Gasket, Mounting Screws, O'Ring Seals
- 5 Year Warranty

M17011Y replaces M27011Y

IMPROVED

M11300WCL-A 2-1/2" ROUND WHITE COURTESY LIGHT



M11300WCL-A 2-1/2" Round Interior Courtesy Light

M11300WCL-AX 2-1/2" Round Interior Courtesy Light - Bulk Pack

SPECIFICATIONS

Lumens	90
Voltage	12.8VDC
Amp Draw	80mA
Dimensions	2.5" Diam. x 0.7" Depth
Mounting	Grommet
Connector	PL-10
LEDs	13

FEATURES

- Upgraded to 90 Lumens
- Fits Standard 2-1/2" Grommet
- Interior or Exterior Mount
- Polycarbonate Lens & Housing
- Available in Retail or Bulk Pack
- 10 Year Warranty

Replaces M11300WCL

NEW

M42213 A-SERIES 5" X 3" RECTANGULAR S/T/T AND BACK-UP



M42213R-A
Red S/T/T

M42213-A
White Back-Up



M42213-A Rectangular White Back Up - 10 LED

M42213R-A Rectangular Red STT - 10 LED

SPECIFICATIONS

LEDs	10	
Voltage	12.8VDC	
Amp Draw	- M42213-A	170mA
	- M42213R-A	250mA / 20mA
Dimensions	5.3" W x 3.4" H x 1.3" D	
Mounting	Rectangle Grommet	
Connector	PL-3	
Legal Heading	- M42213-A	R
	- M42213R-A	16 S2 T2 P2
DOT/SAE	- M42213-A	J593
	- M42213R-A	J592, J2040, J2261

FEATURES

- DOT FMVSS108 Compliant Horizontal or Vertical
- Grommet Mount (M49700 Sold Separately)
- Integrated PL-3 3 Pin Connector
- Acrylic Lens & Polycarbonate Housing
- 5 Year Warranty

M42213-A replaces M42213
M42213R-A replaces M42213R

NEW

M42214 5" X 3" RECTANGULAR BACK-UP AND REFLECTOR



M42214 Rectangle Back-Up Light & Red Reflex Reflector

SPECIFICATIONS

LEDs	20	
Voltage	12.8VDC	
Amp Draw	0.5A	
Dimensions	5.3" W x 3.4" H x 1.8" D	
Mounting	Rectangle Grommet	
Connector	PL-3	
Legal Heading	A R	
DOT/SAE	J593, J594	

FEATURES

- Combination Back-Up and Reflex Reflector
- DOT Class A Reflex Reflector & Back-Up
- Grommet Mount (M49700)
- Sealed Moisture Proof Electronics
- Acrylic Lens & ABS Housing
- 5 Year Warranty

LED STOP/TURN/TAIL & BACK-UP

IMPROVED

M63346R-SERIES 6" OVAL STOP/TURN/TAIL



M63346RDF DRYFIT HOUSING



M63339Y

M63339Y	6" Oval Amber Park/Front/Rear Turn, 9 LED
M63339YDF	6" Oval Amber Park/Front/Rear Turn, DryFit, 9 LED
M63339YCL	6" Oval Amber Clear Lens Park/Front/Rear Turn, 9 LED
M63339YCLDF	6" Oval Amber Clear Lens Park/Front/Rear Turn, Dry Fit 9 LED
M63346R	6" Oval Red Stop/Turn/Tail, Lightning Series, 6 LED
M63346R-X	6" Oval Red Stop/Turn/Tail, Lightning Series, 6 LED - Bulk Pack
M63346RDF	6" Oval Red Stop/Turn/Tail, Lightning Series, 6 LED, DryFit
M63346RDF-X	6" Oval Red Stop/Turn/Tail, Lightning Series, 6 LED, DryFit - Bulk Pack

SPECIFICATIONS	M63346R-SERIES	M63339Y-SERIES
LEDs	6	9
Voltage	12.8VDC	12.8VDC
Amp Draw	130 mA / 10mA	180 mA / 10mA
Dimensions	6.4" W x 2.2" H x 1.7" D	6.4" W x 2.2" H x 1.7" D
Mounting	Oval Grommet	Oval Grommet
Connector	PL-3 (M63346R) DryFit (M63346RDF)	PL-3 (M63339Y/YCL) DryFit (M63339YDF/YCLDF)
Legal Heading	I6 S2 T2	I6 P
DOT/SAE	J2040, J2261	J222, J2261

FEATURES

- 6" Oval Stop/Turn/Tail and 6" Oval Park/Front/Rear Turn
- Available with PL-3 or DryFit Connector
- Available in Retail or Bulk Pack (-X)
- Patented Lightning Optics (# 8,009,364 and 8,717,679 B2)
- Polycarbonate Lens & Housing
- 5 Year Warranty

IMPROVED

M633224 A-Series 6" OVAL BACK-UP



M63324-A	6" Oval Back-Up Lightning A-Series PL-3
M63324-AX	6" Oval Back-Up Lightning A-Series PL-3 - Bulk Pack
M63324-ADF	6" Oval Back-Up Lightning A-Series DryFit
M63324-ADFX	6" Oval Back-Up Lightning A-Series DryFit - Bulk Pack

SPECIFICATIONS	
LEDs	18
Voltage	12.8VDC
Amp Draw	0.5A
Dimensions	6.4" W x 2.0" H x 1.8" D
Mounting	Grommet
Connector	PL-3 or DryFit
Legal Heading	R
DOT/SAE	J593

FEATURES

- DOT FMVSS108 Compliant for 1-Lamp and 2-Lamp Simultaneously
- Available with PL-3 or DryFit Connector
- Available in Retail or Bulk Pack (-X)
- Patented Lightning Optics (# 8,009,364 and 8,717,679 B2)
- Polycarbonate Lens & Housing
- 5 Year Warranty

LED STOP/TURN/TAIL & AMBER TURN & CLEARANCE MARKERS

NEW

M42206RDF-X 2" X 4" RECTANGULAR S/T/T WITH DryFit



M42206RDF Rectangular Red Surface Mount STT w/ DryFit Connector - Bulk Pack

SPECIFICATIONS

LEDs	14
Voltage	12.8VDC
Amp Draw	230 mA 10mA
Dimensions	4.6" W x 2.5"H x 0.4" D
Mounting	2 Hole Surface, 3-7/8" C to C
Connector	DryFit
Legal Heading	I S T
DOT/SAE	J585, J1395, J1398

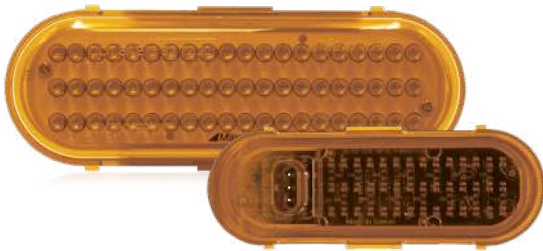
FEATURES

- Our popular M42206R Now Available with DryFit Connector
- Available in Bulk Pack Only (-X)
- Polycarbonate Lens & Housing
- 5 Year Warranty

NEW

M63100YDF AMBER TURN WITH DryFit

AVAILABLE JUNE 2023



M63100YDF 6" Oval Amber Park/Front/Rear Turn - DryFit

SPECIFICATIONS

LEDs	60
Voltage	12.8VDC
Amp Draw	0.7 A
Dimensions	6.4" W x 2.2"H x 1.7" D
Mounting	Oval Grommet
Connector	DryFit
Legal Heading	I6 P P2 P3
DOT/SAE	J592, J222, J2042, J2261

FEATURES

- Now Available with DryFit Connector
- Polycarbonate Lens & Housing
- 5 Year Warranty

NEW

M20342R-JX / M20342Y-JX CLEARANCE MARKERS



M20342R-JX Red P2 P3 PC2 C/M, Jacketed Twin .180 Bullets - Bulk Pack

M20342Y-JX Amber P2 P3 PC2 C/M, Jacketed Twin .180 Bullets - Bulk Pack

SPECIFICATIONS

LEDs	7
Voltage	12.8VDC
Amp Draw	100 mA
Dimensions	4.0" W x 0.6"H x 0.7" D
Mounting	2 Hole Surface, 3" C to C
Connector	2 Leads, .180 Bullets, 6"
Legal Heading	P2 P3 PC2
DOT/SAE	J592, J2042

FEATURES

- Screw Caps & Mounting Tape Included
- Polycarbonate Lens & Housing
- Available in Bulk Pack Only (-X)
- 5 Year Warranty

M20342Y-JX replaces M20342Y-X

M20342R-JX replaces M20342R-X



PANOR CORP/ MAXXIMA

125 CABOT COURT, HAUPPAUGE, NY 11788 USA
TEL: 631.434.1200 | 1.866.MAXXIMAFAX: 631.434.1457
INFO@MAXXIMA.COM | WWW.MAXXIMA.COM

DISTRIBUTED BY:
