

Dayton parts®

www.daytonparts.com

AIR DISC BRAKE COMPONENTS

PROVEN PERFORMANCE
MILE AFTER MILE



Table of Contents - Air Disc Brakes

| | | | |
|------------------------------------|--------------|--------------------------------------|--------------|
| Schematics | 2-17 | Air Disc Components | 22-24 |
| Bendix ADB22X | 2-3 | Adjuster Caps | 22 |
| Hendickson MAXX22T | 4-5 | Carrier Bolt Kits | 22 |
| Meritor EX225 H2 | 6-7 | Carrier Brackets | 23 |
| Rockwell ADB 1560 | 8-9 | Chamber Hardware | 23 |
| Wabco | 10-17 | Disc Pad Shields | 23 |
| PAN17 | 10-11 | Guide Pin Kits | 23 |
| PAN19 | 12-13 | Pressure Plate Kits | 23 |
| PAN22 | 14-15 | Rotor Bolt Kits | 23 |
| MAXXUS | 16-17 | Rotor Shields | 24 |
| Air Disc Pads | 18-19 | Tappet Kits | 24 |
| Air Disc Rotors | 19-20 | Wear Indicators | 24 |
| Air Disc Calipers | 20-21 | Air Disc Tools | 24 |
| Air Disc Chambers | 22 | | |

Abbreviations and Symbols

| | | | | | |
|----------------------|------------------|------------------------|---------------------------|-------------------------|-------------------------|
| <i>Dia</i> | <i>diameter</i> | <i>Thick</i> | <i>thickness</i> | <i>OD</i> | <i>outside diameter</i> |
| <i>No</i> | <i>number</i> | <i>Min</i> | <i>minimum</i> | <i>ID</i> | <i>inside diameter</i> |
| <i>GR</i> | <i>grade</i> | <i>mm</i> | <i>millimeter</i> | <i>SP</i> | <i>special order</i> |
| <i>Req</i> | <i>required</i> | <i>LH</i> | <i>left hand</i> | <i>w/</i> | <i>with</i> |
| <i>Std</i> | <i>standard</i> | <i>RH</i> | <i>right hand</i> | <i>" or "</i> | <i>inches</i> |
| <i>K</i> | <i>thousands</i> | <i>OE</i> | <i>original equipment</i> | <i>◆</i> | <i>not available</i> |

The names and reference numbers of manufacturers and suppliers, other than **Dayton Parts, LLC**, used in this catalog are shown only to assist our customers in identifying replacement parts. Under no circumstances does **Dayton Parts, LLC** imply that the parts are of these OE manufacturers. Although care has been taken to ensure the accuracy of the data contained in this publication, **Dayton Parts, LLC** does not assume any liability for errors or omissions.

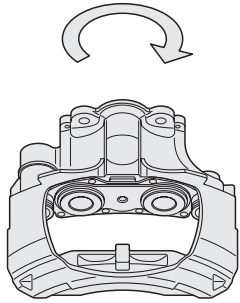


© Copyright 2019, Dayton Parts, LLC, all rights reserved. No part of this publication covered by the copyrights hereon may be reproduced or copied in any form or by any means whatsoever without the expressed prior written permission of Dayton Parts, LLC.

ADB Bendix - Steer, Drive & Trailer
ADB22X Series

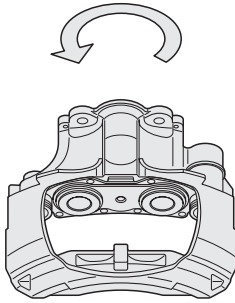
Air Disc Brakes

Air Disc Brakes



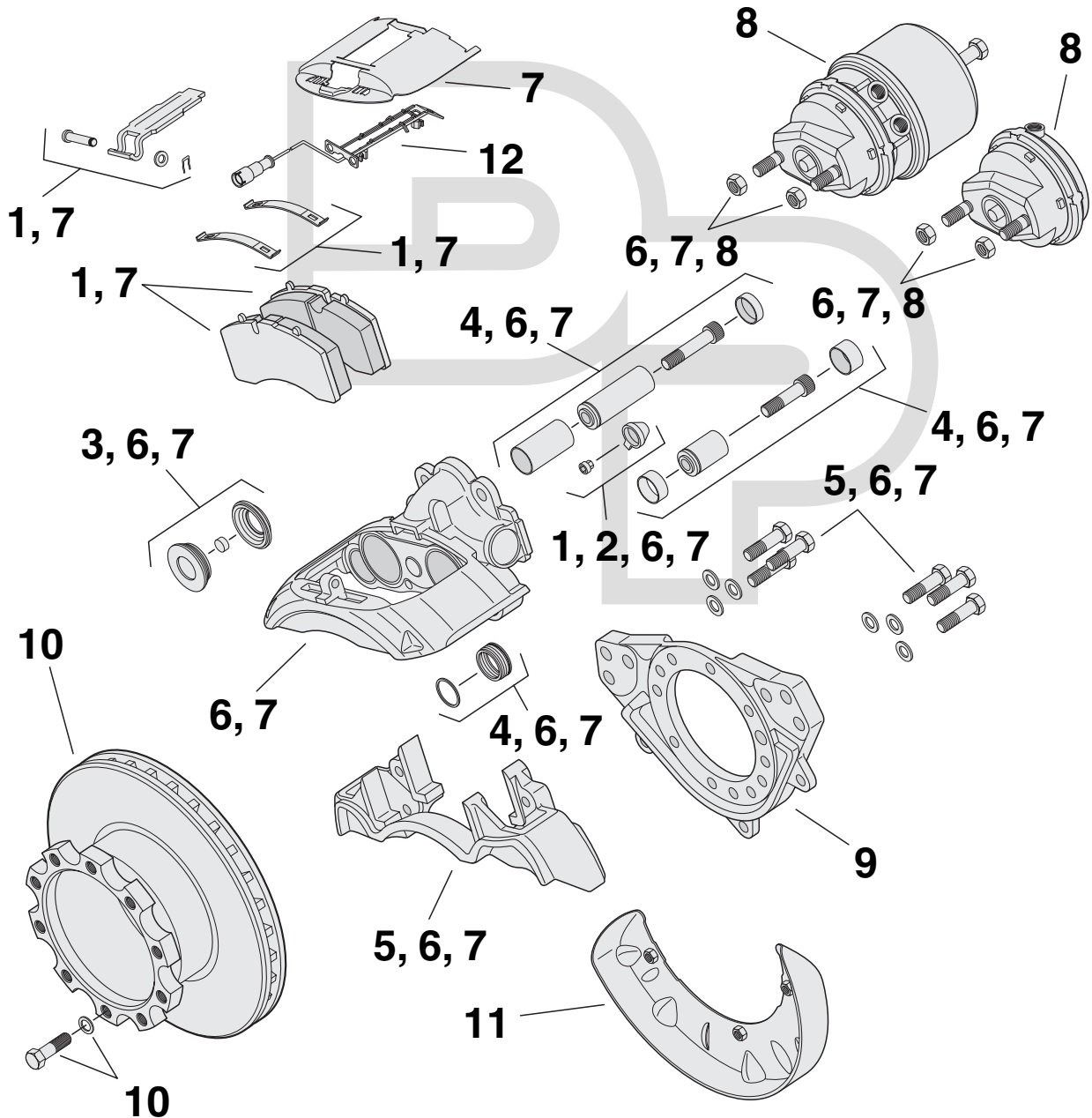
Caliper A

RH Wheel Rotation



Caliper B

LH Wheel Rotation



Air Disc Brakes

ADB Bendix - Steer, Drive & Trailer ADB22X Series

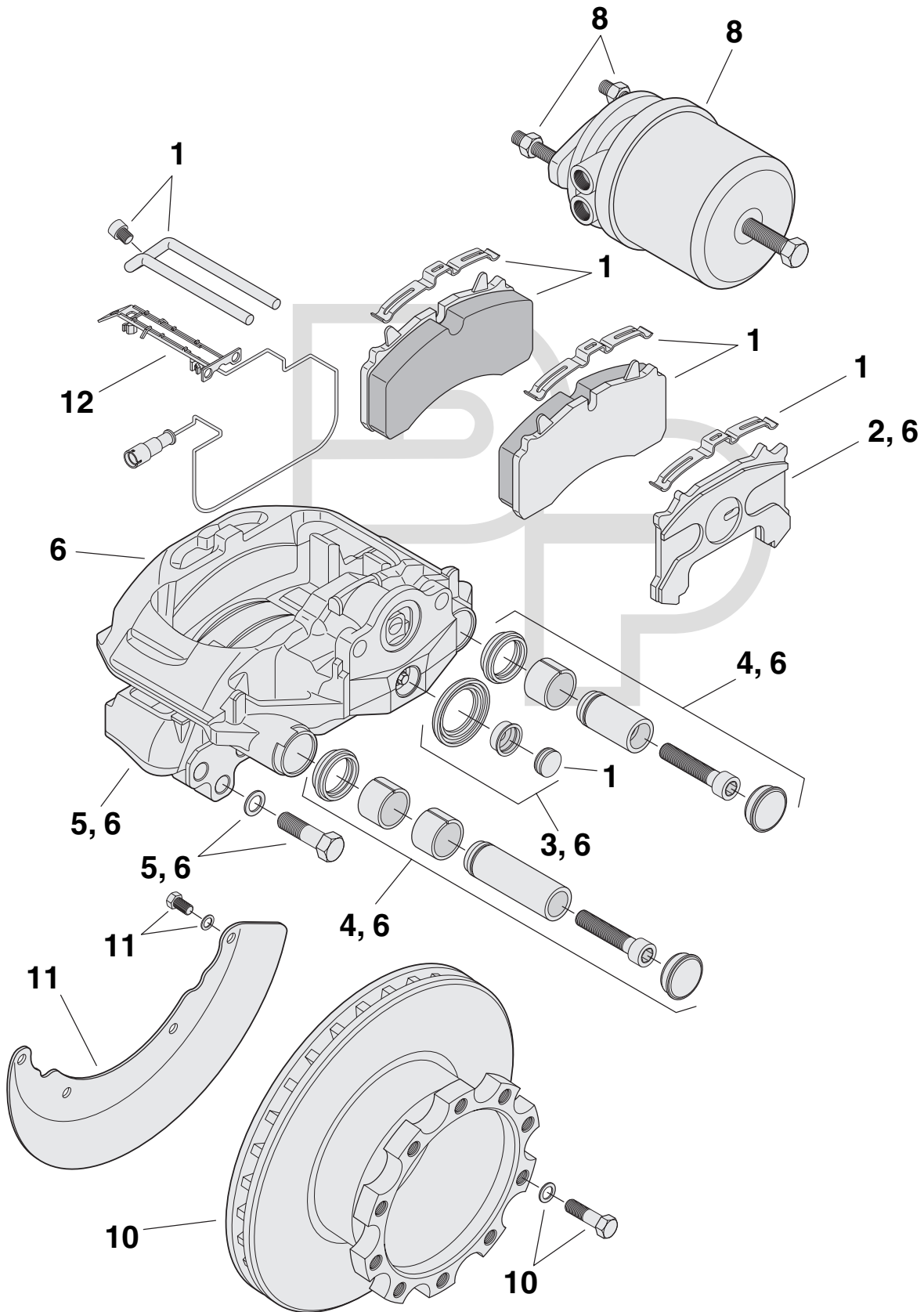
Air Disc Brakes

| Key No. | Part Number | Description | No. Req. | Comments |
|---------|--------------|-----------------------------|----------|--|
| 1 | 23AD1369 | Disc pads - axle set | 1 | Up to 23.0k, Dayton Parts brand, pad hardware included |
| | 29AD1369 | Disc pads - axle set | 1 | Up to 28.8k, Dayton Parts brand, pad hardware included |
| | 26CV1369 | Disc pads - axle set | 1 | Up to 28.8k, Dayton Parts brand, pad hardware included |
| | 26CV1369W | Disc pads - wheel set | 2 | Up to 28.8k, Dayton Parts brand, pad hardware included |
| | DSHP1369 | Disc pads - axle set | 1 | Up to 23.0k, Marathon brand, pad hardware included |
| | DSTP1369 | Disc pads - axle set | 1 | Up to 28.6k, Marathon brand, pad hardware included |
| 2 | 704-001 | Shear adapter & cover | 2 | Included w/disc pad sets |
| 3 | 704-002 | Tappet, boot & seal kit | 2 | (2) Tappets w/boots, tappet bushings & inner seals |
| 4 | 704-004 | Guide pin kit | 2 | Guide pins, boots, bushings, bolts, retainer rings & caps |
| 5 | 704-111 | Carrier bracket kit | 2 | Axial mount w/bolt kit - tractor |
| | 704-112 | Carrier bracket kit | 2 | Vertical mount w/bolt kit - tractor |
| | 704-113 | Carrier bracket kit | 2 | Axial mount w/bolt kit - trailer |
| | 704-110 | Carrier bolt kit | 2 | Axial mount - (6) M20 x 2.5 x 60mm Gr 10.9 w/hard flat washer |
| | 704-120 | Carrier bolt kit | 2 | Vertical mount - (6) M16 x 2.0 x 110mm Gr 10.9 w/o washer |
| 6 | 711-13N1XXXN | Caliper assy - new unloaded | 1 | Axial mount trailer - RH |
| | 711-13N2XXXN | Caliper assy - new unloaded | 1 | Axial mount trailer - LH |
| | 711-21N1XXXN | Caliper assy - new unloaded | 1 | Axial mount tractor - RH |
| | 711-21N2XXXN | Caliper assy - new unloaded | 1 | Axial mount tractor - LH |
| | 711-22N1XXXN | Caliper assy - new unloaded | 1 | Vertical mount tractor - RH |
| | 711-22N2XXXN | Caliper assy - new unloaded | 1 | Vertical mount tractor - LH |
| 7 | 711-13N1C26N | Caliper assy - new loaded | 1 | Axial mount trailer - RH w/26CV pads |
| | 711-13N2C26N | Caliper assy - new loaded | 1 | Axial mount trailer - LH w/26CV pads |
| | 711-21N1C26N | Caliper assy - new loaded | 1 | Axial mount tractor - RH w/26CV pads |
| | 711-21N2C26N | Caliper assy - new loaded | 1 | Axial mount tractor - LH w/26CV pads |
| | 711-22N1C26N | Caliper assy - new loaded | 1 | Vertical mount tractor - RH w/26CV pads |
| | 711-22N2C26N | Caliper assy - new loaded | 1 | Vertical mount tractor - LH w/26CV pads |
| | 02-550 | Disc pad shield | 2 | Included w/loaded calipers |
| 8 | 20SBD | Air chamber - Dayton Parts | 2 | 20 Service, 2.50" stroke, steer |
| | 1824PBD | Air chamber - Dayton Parts | 2 | 1824 Piston, 2.50" stroke, tractor/trailer |
| | 2024PBD | Air chamber - Dayton Parts | 2 | 2024 Piston, 2.50" stroke, tractor/trailer |
| | 1824CBD | Air chamber - Dayton Parts | 2 | 1824 Combo, 2.25" stroke, trailer only |
| | 2024CBD | Air chamber - Dayton Parts | 2 | 2024 Combo, 2.50" stroke, trailer only |
| | 704-105 | Air chamber lock nut | 4 | M16 x 1.5 nylon lock nut |
| 9 | ◆ | Anchor plate | 2 | Not available |
| 10 | 125701 | Rotor, Flat | 2 | 430mm OD w/flange lock nuts - Con-Met hub, bolt-on ABS ring |
| | 125804 | Rotor, Flat | 2 | 430mm OD w/bolt kit - Con-Met hub, spline rotor replacement, requires light press to install |
| | 125803 | Rotor, U-shaped | 2 | 430mm OD w/bolt kit - 138.2mm overall height |
| | 125802 | Rotor, U-shaped | 2 | 430mm OD w/bolt kit - 150.1mm overall height |
| 11 | 02-551 | Rotor shield | 2 | Drive axle w/mounting hardware |
| | 02-552 | Rotor shield | 2 | Trailer axle w/mounting hardware |
| 12 | ◆ | ABS Sensor | 2 | Refer to Dayton Parts ABS literature |

ADB Hendrickson - Trailer
MAXX22T series

Air Disc Brakes

Air Disc Brakes



Air Disc Brakes

ADB - Hendrickson - Trailer MAXX22T series

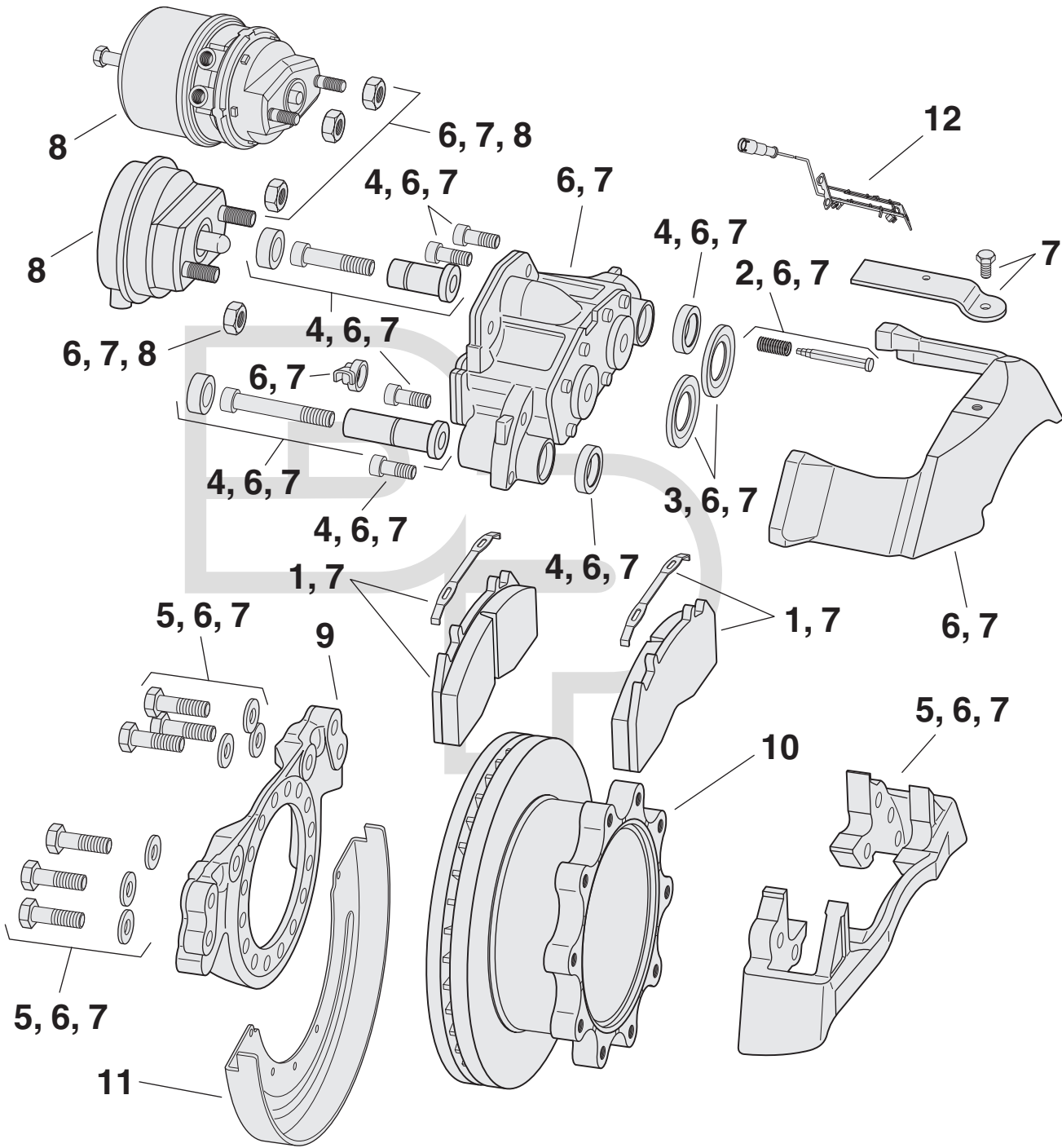
Air Disc Brakes

| Key No. | Part Number | Description | No. Req. | Comments |
|---------|---------------|------------------------------|----------|---|
| 1 | 29AD1777H | Disc pads - axle set | 1 | Up to 28.8k, Dayton Parts brand, pad hardware included |
| | 26CV1777H | Disc pads - axle set | 1 | Up to 28.8k, Dayton Parts brand, pad hardware included |
| | 640-222-927-2 | Disc pads - axle set | 1 | Up to 23.0k, Wabco OE, pad hardware included |
| 2 | 640-225-926-2 | Pressure plate kit | 1 | (1) Pair of pressure plates, same as PAN22 |
| 3 | 640-175-920-2 | Tappet seal kit | 2 | Tappet seal, adjuster boot & cap - same as PAN22 |
| 4 | 640-222-928-2 | Guide pin kit | 2 | Guide pins, boots, bushings, bolts & caps - MAXX22T only |
| 5 | ◆ | Carrier bracket kit | 2 | Not available seperately |
| | 704-130 | Carrier bolt kit | 2 | Axial mount - (6) M18 x 2.5 x 55mm Gr 10.9 w/hard flat washer |
| 6 | S-35303-7 | Caliper & carrier assy - new | 1 | Axial mount w/pressure plate unloaded - LH |
| | S-35303-8 | Caliper & carrier assy - new | 1 | Axial mount w/pressure plate unloaded - RH |
| 7 | ◆ | Disc pad shield | 2 | Not available at this time (not shown) |
| 8 | 1824CWDL | Air chamber - Dayton Parts | 2 | 1824 Combo, 2.50" stroke, ports clocked 45 deg left |
| | 1824CWDR | Air chamber - Dayton Parts | 2 | 1824 Combo, 2.50" stroke, ports clocked 45 deg right |
| | 2024CWDL | Air chamber - Dayton Parts | 2 | 2024 Combo, 2.50" stroke, ports clocked 45 deg left |
| | 2024CWDR | Air chamber - Dayton Parts | 2 | 2024 Combo, 2.50" stroke, ports clocked 45 deg right |
| | S-38721-L | Air chamber - Wabco OE | 2 | 1824 Internal valve, 2.50" stroke, ports clocked 45 deg left |
| | S-38721-R | Air chamber - Wabco OE | 2 | 1824 Internal valve, 2.50" stroke, ports clocked 45 deg right |
| | S-38723-L | Air chamber - Wabco OE | 2 | 2024 Internal valve, 2.50" stroke, ports clocked 45 deg left |
| | S-38723-R | Air chamber - Wabco OE | 2 | 2024 Internal valve, 2.50" stroke, ports clocked 45 deg right |
| 9 | 704-105 | Air chamber lock nut | 4 | M16 x 1.5 Nylon lock nut |
| | ◆ | Anchor plate | 2 | Not available (not shown) |
| 10 | 125500 | Rotor, U-Shaped | 2 | 415mm OD w/bolt kit - 150.1mm overall height |
| | 704-131 | Rotor bolt kit | 2 | (10) M16 x 2.0 x 45mm Gr 10.9 w/hard flat washer |
| 11 | S-35720-4415 | Rotor shield | 2 | 5.75" LDA trailer axle w/mounting hardware |
| 12 | ◆ | ABS sensor | 2 | Refer to Dayton Parts ABS literarure |

ADB Meritor - Steer & Drive
EX225 H2 series

Air Disc Brakes

Air Disc Brakes



Air Disc Brakes

ADB Meritor - Steer & Drive EX225 H2 series

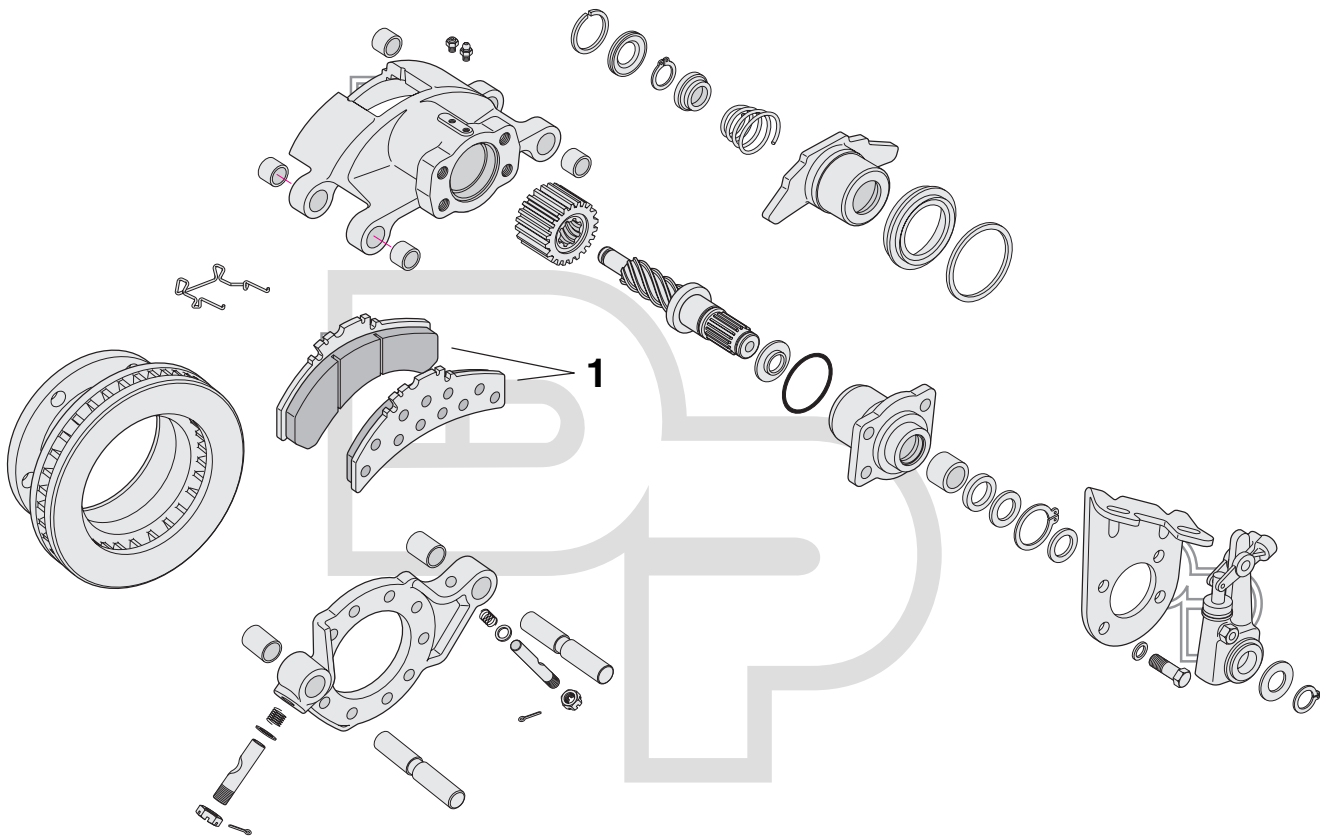
Air Disc Brakes

| Key No. | Part Number | Description | No. Req. | Comments |
|---------|---------------------|-----------------------------|----------|---|
| 1 | 23AD1311 | Disc pads - axle set | 1 | Up to 23.0k, Dayton Parts brand, pad springs included |
| | 29AD1311 | Disc pads - axle set | 1 | Up to 28.8k, Dayton Parts brand, pad springs included |
| | 26CV1311 | Disc pads - axle set | 1 | Up to 28.8k, Dayton Parts brand, pad springs included |
| | 26CV1311W | Disc pads - wheel set | 2 | Up to 28.8k, Dayton Parts brand, pad springs included |
| | DSHP1311 | Disc pads - axle set | 1 | Up to 23.0k, Marathon brand, pad springs included |
| | DSTP1311 | Disc pads - axle set | 1 | Up to 28.6k, Marathon brand, pad springs included |
| 2 | 704-051 | Pad wear indicator kit | 2 | Plastic indicator w/spring |
| 3 | 704-050 | Tappet boot kit | 2 | Tappet boots only |
| 4 | 704-055 | Guide pin kit | 2 | Guide pins, boots, bushings, bolts & caps |
| 5 | 704-125 | Carrier bolt kit | 2 | Axial mount - (6) M20 x 1.5 x 60mm Gr 10.9 w/hard flat washer - FF/FG & R |
| | 704-126 | Carrier bolt kit | 2 | Axial mount - (6) M20 x 1.5 x 55mm Gr 10.9 w/hard flat washer - FH/FL |
| | 704-135 | Carrier bracket kit | 2 | Axial mount w/bolt kit - FF/FG & R |
| | 704-136 | Carrier bracket kit | 2 | Axial mount w/bolt kit - FH/FL |
| 6 | 761-11N1XXXN | Caliper assy - new unloaded | 1 | Axial mount tractor - RH |
| | 761-11N2XXXN | Caliper assy - new unloaded | 1 | Axial mount tractor - LH |
| | 704-052 | Caliper adjuster cap | 2 | Cover w/attached retainer ring |
| 7 | 761-11N1C26N | Caliper assy - new loaded | 1 | Axial mount tractor - RH w/26CV pads |
| | 761-11N2C26N | Caliper assy - new loaded | 1 | Axial mount tractor - LH w/26CV pads |
| 8 | 20SBD | Air chamber - Dayton Parts | 2 | 20 Service, 2.50" stroke, steer |
| | 1824PBD | Air chamber - Dayton Parts | 2 | 1824 Piston, 2.50" stroke, tractor |
| | 2024PBD | Air chamber - Dayton Parts | 2 | 2024 Piston, 2.50" stroke, tractor |
| | 704-105 | Air chamber lock nut | 4 | M16 x 1.5 Nylon lock nut |
| 9 | ◆ | Anchor plate | 2 | Not available |
| 10 | 125600 | Rotor, U-shaped | 2 | 434mm OD, 143.3mm overall height |
| 11 | ◆ | Rotor shield | 2 | Not available at this time |
| 12 | ◆ | ABS sensor | 2 | Refer to Dayton Parts ABS literature |

ADB Rockwell - Steer
ADB 1560 series

Air Disc Brakes

Air Disc Brakes



Air Disc Brakes

ADB Rockwell - Steer ADB 1560 series

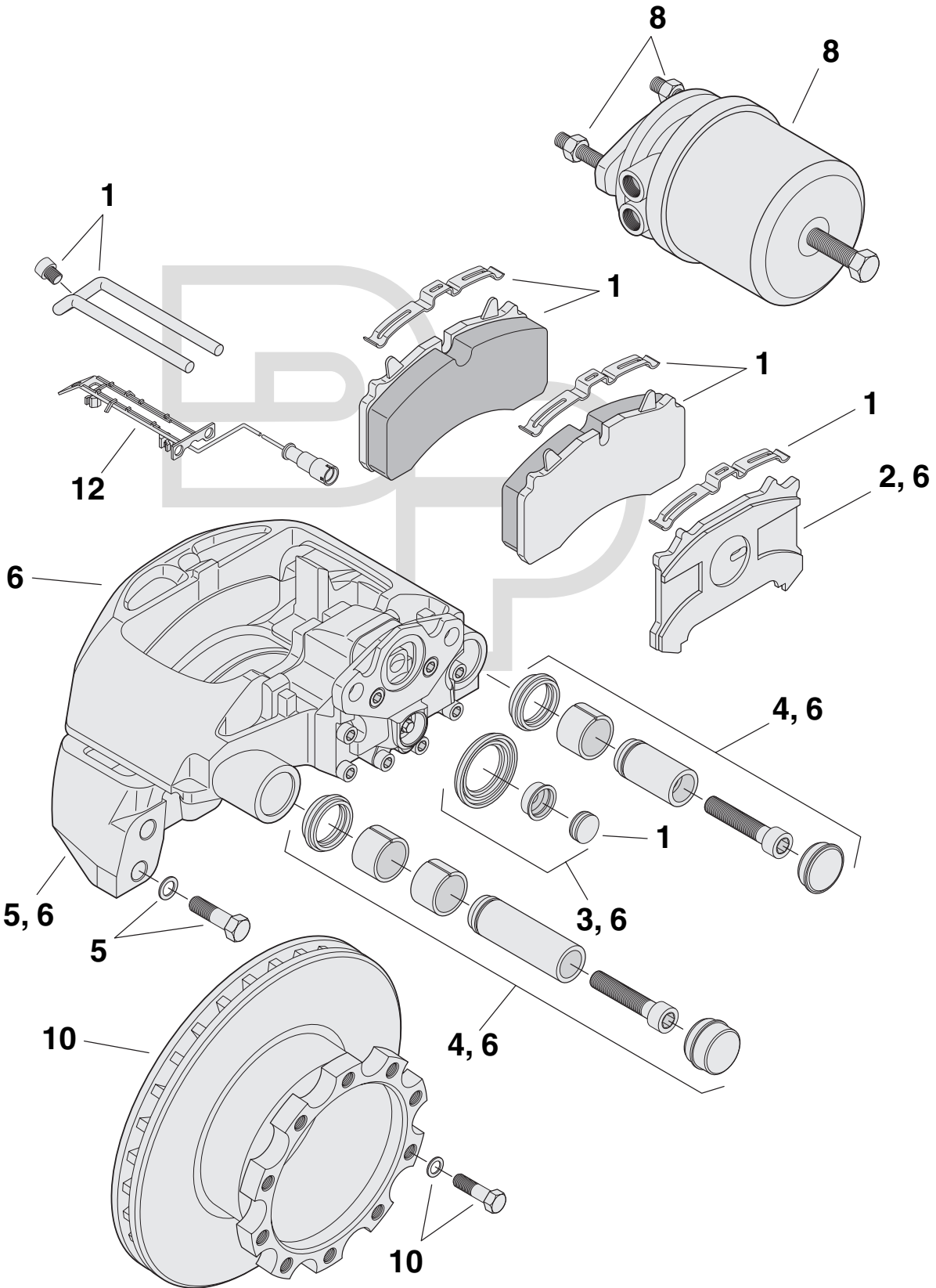
Air Disc Brakes

| Key No. | Part Number | Description | No. Req. | Comments |
|---------|-------------|----------------------|----------|---|
| 1 | D268-MP | Disc pads - axle set | 1 | Up to 26.0k, Marathon brand, no pad hardware included |

**ADB Wabco - Trailer
PAN17 series**

Air Disc Brakes

Air Disc Brakes



Air Disc Brakes

ADB Wabco - Trailer PAN17 series

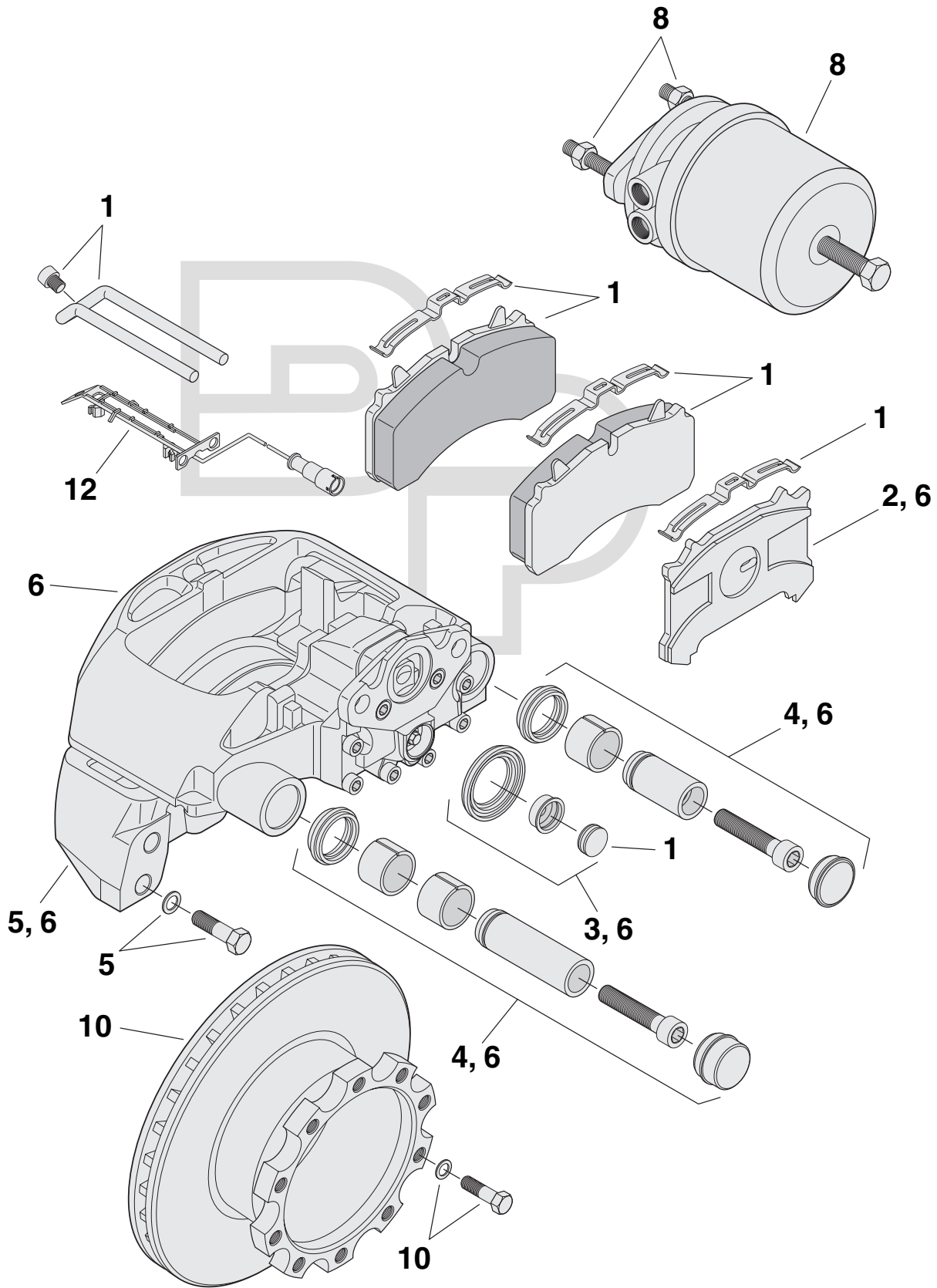
Air Disc Brakes

| Key No. | Part Number | Description | No. Req. | Comments |
|---------|----------------------|-----------------------------|----------|--|
| 1 | 23AD1518 | Disc pads - axle set | 1 | Up to 23.0k, Dayton Parts brand, pad hardware included |
| | 29AD1518 | Disc pads - axle set | 1 | Up to 28.8k, Dayton Parts brand, pad hardware included |
| | 26CV1518 | Disc pads - axle set | 1 | Up to 28.8k, Dayton Parts brand, pad hardware included |
| | DSHP1518 | Disc pads - axle set | 1 | Up to 23.0k, Marathon brand, pad hardware included |
| | 12-999-806 | Disc pads - axle set | 1 | Up to 23.0k, Wabco OE, pad hardware included |
| 2 | 640-175-940-2 | Pressure plate kit | 1 | (1) Pair of pressure plates |
| 3 | 640-175-920-2 | Tappet boot & seal kit | 2 | All PAN series |
| 4 | 12-999-699VT | Guide pin kit | 2 | Guide pins, boots, bushings, bolts & caps |
| 5 | ◆ | Carrier bracket | 2 | Not available separately |
| | ◆ | Carrier bolt kit | 2 | Varies by application |
| 6 | 40-175-072 | Caliper assy - new unloaded | 1 | Axial mount w/pressure plate - LH |
| | 40-175-073 | Caliper assy - new unloaded | 1 | Axial mount w/pressure plate - RH |
| 7 | ◆ | Disc pad shield | 2 | Not available at this time (not shown) |
| 8 | 1824CWDL | Air chamber - Dayton Parts | 2 | 1824 Combo, 2.50" stroke, ports clocked 45 deg left |
| | 1824CWDR | Air chamber - Dayton Parts | 2 | 1824 Combo, 2.50" stroke, ports clocked 45 deg right |
| | 2024CWDL | Air chamber - Dayton Parts | 2 | 2024 Combo, 2.50" stroke, ports clocked 45 deg left |
| | 2024CWDR | Air chamber - Dayton Parts | 2 | 2024 Combo, 2.50" stroke, ports clocked 45 deg right |
| | S-38721-L | Air chamber - Wabco OE | 2 | 1824 Internal valve, 2.50" stroke, ports clocked 45 deg left |
| | S-38721-R | Air chamber - Wabco OE | 2 | 1824 Internal valve, 2.50" stroke, ports clocked 45 deg right |
| | S-38723-L | Air chamber - Wabco OE | 2 | 2024 Internal valve, 2.50" stroke, ports clocked 45 deg left |
| | S-38723-R | Air chamber - Wabco OE | 2 | 2024 Internal valve, 2.50" stroke, ports clocked 45 deg right |
| | 704-105 | Air chamber lock nut | 4 | M16 x 1.5 Nylon lock nut |
| 9 | ◆ | Anchor plate | 2 | Not available (not shown) |
| 10 | 125707 | Rotor, U-Shaped | 2 | 325mm OD w/bolt kit, 150.8mm overall height - Hendrickson axle |
| | 125704 | Rotor, U-Shaped | 2 | 325mm OD w/bolt kit, 148.5mm overall height - IMT axle |
| 11 | ◆ | Rotor shield | 2 | Not available at this time (not shown) |
| 12 | ◆ | ABS sensor | 2 | Refer to Dayton Parts ABS literature |

**ADB Wabco - Trailer
PAN19 series**

Air Disc Brakes

Air Disc Brakes



Air Disc Brakes

ADB Wabco - Trailer PAN19 series

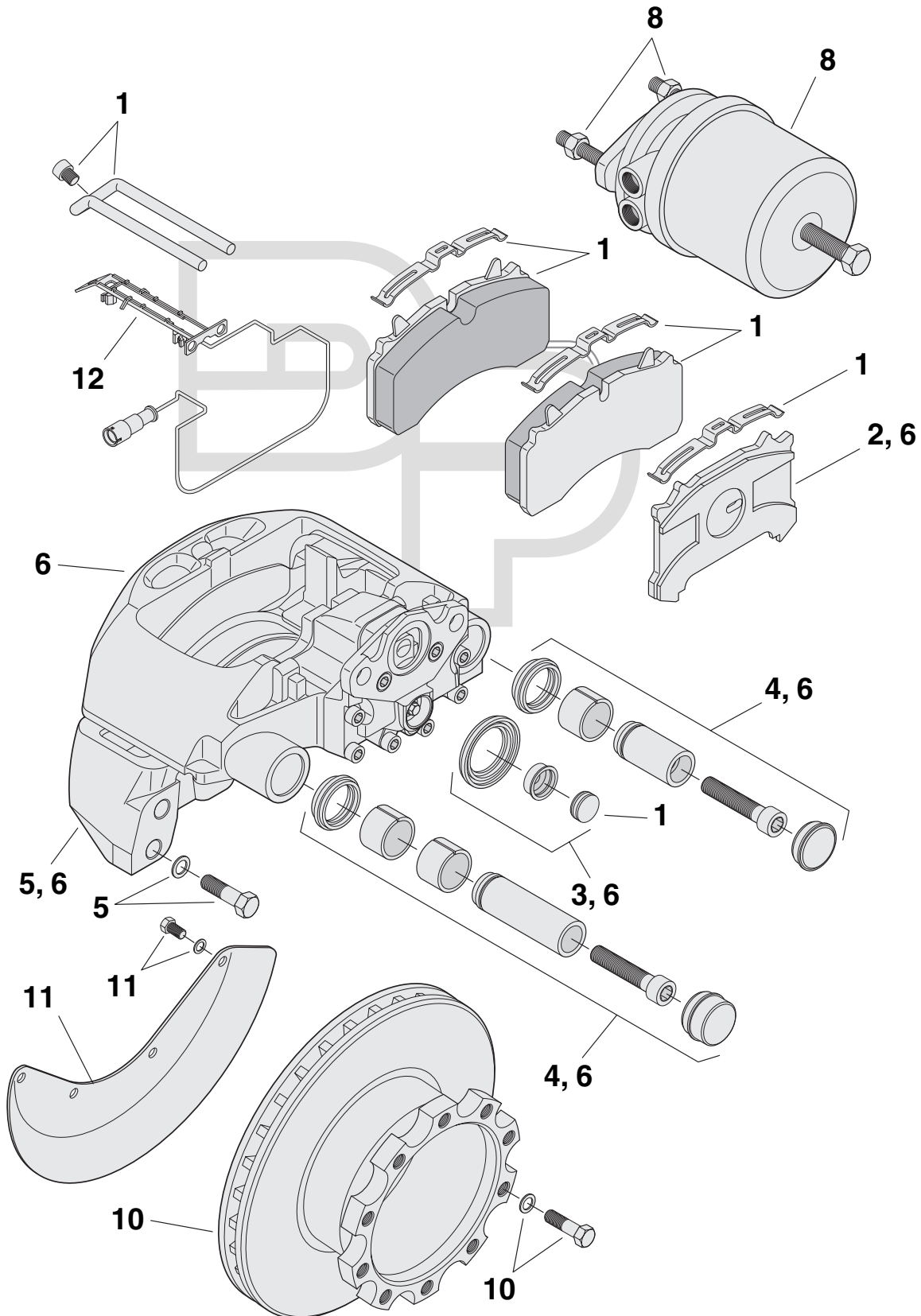
Air Disc Brakes

| Key No. | Part Number | Description | No. Req. | Comments |
|---------|----------------------|-----------------------------|----------|--|
| 1 | 23AD1438 | Disc pads - axle set | 1 | Up to 23.0k, Dayton Parts brand, pad hardware included |
| | 29AD1438 | Disc pads - axle set | 1 | Up to 28.8k, Dayton Parts brand, pad hardware included |
| | 26CV1438 | Disc pads - axle set | 1 | Up to 28.8k, Dayton Parts brand, pad hardware included |
| | 12-999-737VT | Disc pads - axle set | 1 | Up to 23.0k, Wabco OE, pad hardware included |
| 2 | 640-195-936-2 | Pressure plate kit | 1 | (1) Pair of pressure plates |
| 3 | 640-175-920-2 | Tappet boot & seal kit | 2 | All PAN series |
| 4 | 640-225-921-2 | Guide pin kit | 2 | Guide pins, boots, bushings, bolts & caps |
| 5 | ◆ | Carrier bracket | 2 | Not available separately |
| | ◆ | Carrier bolt kit | 2 | Varies by application |
| 6 | 40-195-037 | Caliper assy - new unloaded | 1 | Axial mount w/pressure plate - LH |
| | 40-195-038 | Caliper assy - new unloaded | 1 | Axial mount w/pressure plate - RH |
| 7 | ◆ | Disc pad shield | 2 | Not available at this time (not shown) |
| 8 | 1824CWDL | Air chamber - Dayton Parts | 2 | 1824 Combo, 2.50" stroke, ports clocked 45 deg left |
| | 1824CWDR | Air chamber - Dayton Parts | 2 | 1824 Combo, 2.50" stroke, ports clocked 45 deg right |
| | 2024CWDL | Air chamber - Dayton Parts | 2 | 2024 Combo, 2.50" stroke, ports clocked 45 deg left |
| | 2024CWDR | Air chamber - Dayton Parts | 2 | 2024 Combo, 2.50" stroke, ports clocked 45 deg right |
| | S-38721-L | Air chamber - Wabco OE | 2 | 1824 Internal valve, 2.50" stroke, ports clocked 45 deg left |
| | S-38721-R | Air chamber - Wabco OE | 2 | 1824 Internal valve, 2.50" stroke, ports clocked 45 deg right |
| | S-38723-L | Air chamber - Wabco OE | 2 | 2024 Internal valve, 2.50" stroke, ports clocked 45 deg left |
| | S-38723-R | Air chamber - Wabco OE | 2 | 2024 Internal valve, 2.50" stroke, ports clocked 45 deg right |
| | 704-105 | Air chamber lock nut | 4 | M16 x 1.5 Nylon lock nut |
| 9 | ◆ | Anchor plate | 2 | Not available (not shown) |
| 10 | 125706 | Rotor, U-Shaped | 2 | 375mm OD w/bolt kit, 150.1mm overall height - Hendrickson axle |
| | 125702 | Rotor, U-Shaped | 2 | 377mm OD w/bolt kit, 150.1mm overall height - IMT axle |
| 11 | ◆ | Rotor shield | 2 | Not available at this time (not shown) |
| 12 | ◆ | ABS sensor | 2 | Refer to Dayton Parts ABS literature |

**ADB Wabco - Trailer
PAN22 series**

Air Disc Brakes

Air Disc Brakes



Air Disc Brakes

ADB Wabco - Trailer PAN22 series

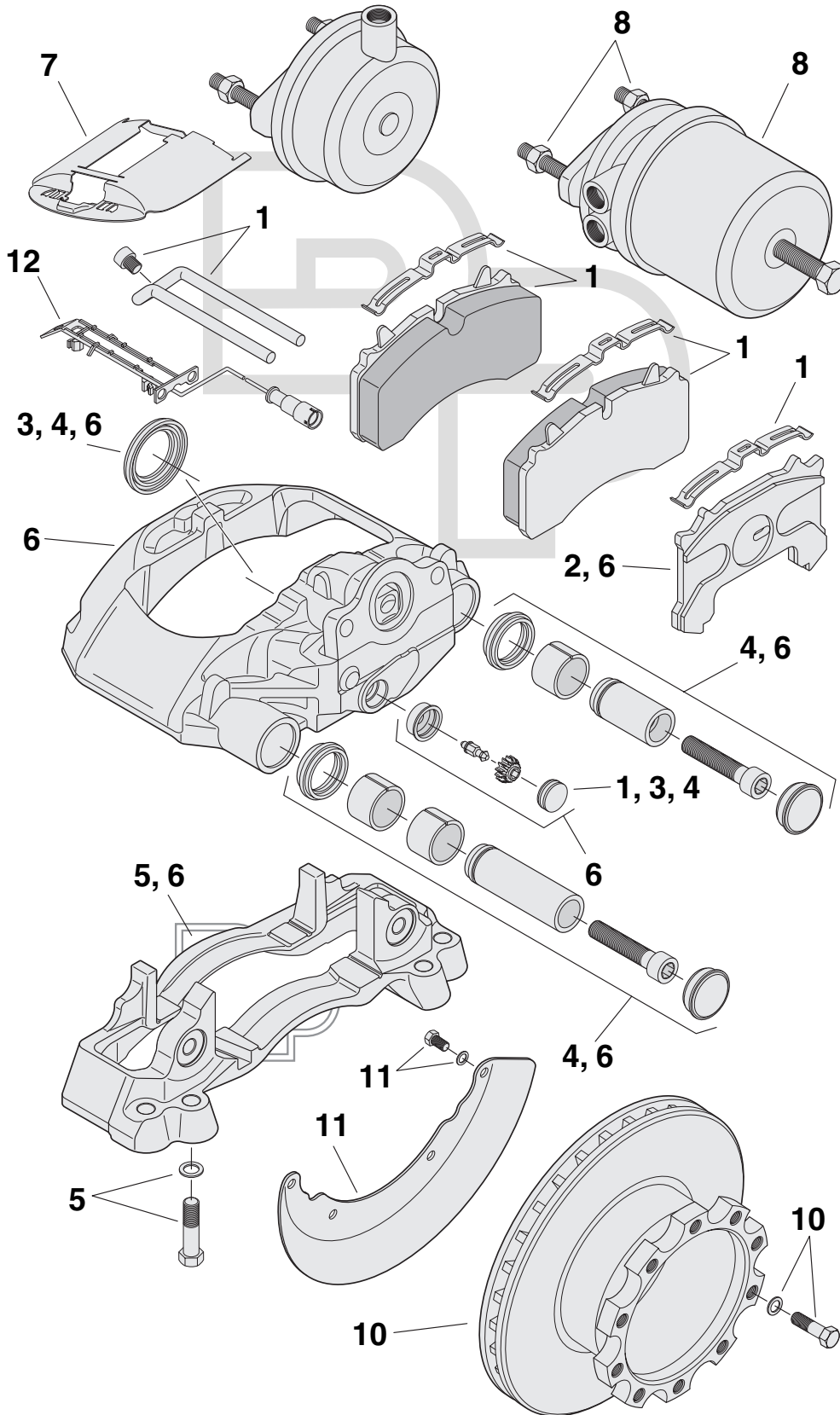
Air Disc Brakes

| Key No. | Part Number | Description | No. Req. | Comments |
|---------|---------------|-----------------------------|----------|--|
| 1 | 23AD1777 | Disc pads - axle set | 1 | Up to 23.0k, Dayton Parts brand, pad hardware included |
| | 29AD1777 | Disc pads - axle set | 1 | Up to 28.8k, Dayton Parts brand, pad hardware included |
| | 26CV1777 | Disc pads - axle set | 1 | Up to 28.8k, Dayton Parts brand, pad hardware included |
| | DSHP1777 | Disc pads - axle set | 1 | Up to 23.0k, Marathon brand, pad hardware included |
| | DSTP1777 | Disc pads - axle set | 1 | Up to 28.6k, Marathon brand, pad hardware included |
| | 640-225-922-2 | Disc pads - axle set | 1 | Up to 28.8k, Wabco OE, pad hardware included |
| 2 | 640-225-926-2 | Pressure plate kit | 1 | (1) Pair of pressure plates |
| 3 | 640-175-920-2 | Tappet boot & seal kit | 2 | All PAN series |
| 4 | 640-225-921-2 | Guide pin kit | 2 | Guide pins, boots, bushings, bolts & caps |
| | 640-225-930-2 | Guide pin cap kit | 2 | Guide pin caps only |
| 5 | ◆ | Carrier bracket | 2 | Not available separately |
| | 704-110 | Carrier bolt kit | 2 | (6) M20 x 2.5 x 60mm Gr 10.9 w/hard flat washer - Hendrickson axle |
| | 704-140 | Carrier bolt kit | 2 | (1) M16 x 1.5 x 55mm shoulder bolt & (5) M16 x 1.5 x 55mm flange bolts - IMT & Ridewell axle |
| 6 | 640-225-080-0 | Caliper assy - new unloaded | 1 | Axial mount w/pressure plate - LH, Hendrickson axle |
| | 640-225-081-0 | Caliper assy - new unloaded | 1 | Axial mount w/pressure plate - RH, Hendrickson axle |
| | 40-225-015 | Caliper assy - new unloaded | 1 | Axial mount w/pressure plate - LH, IMT & Ridewell axle |
| | 40-225-016 | Caliper assy - new unloaded | 1 | Axial mount w/pressure plate - RH, IMT & Ridewell axle |
| 7 | ◆ | Disc pad shield | 2 | Not available at this time (not shown) |
| 8 | 1824CWDL | Air chamber - Dayton Parts | 2 | 1824 Combo, 2.50" stroke, ports clocked 45 deg left |
| | 1824CWDR | Air chamber - Dayton Parts | 2 | 1824 Combo, 2.50" stroke, ports clocked 45 deg right |
| | 2024CWDL | Air chamber - Dayton Parts | 2 | 2024 Combo, 2.50" stroke, ports clocked 45 deg left |
| | 2024CWDR | Air chamber - Dayton Parts | 2 | 2024 Combo, 2.50" stroke, ports clocked 45 deg right |
| | S-38721-L | Air chamber - Wabco OE | 2 | 1824 Internal valve, 2.50" stroke, ports clocked 45 deg left |
| | S-38721-R | Air chamber - Wabco OE | 2 | 1824 Internal valve, 2.50" stroke, ports clocked 45 deg right |
| | S-38723-L | Air chamber - Wabco OE | 2 | 2024 Internal valve, 2.50" stroke, ports clocked 45 deg left |
| | S-38723-R | Air chamber - Wabco OE | 2 | 2024 Internal valve, 2.50" stroke, ports clocked 45 deg right |
| | 704-105 | Air chamber lock nut | 4 | M16 x 1.5 Nylon lock nut |
| 9 | ◆ | Anchor plate | 2 | Not available (not shown) |
| 10 | 125701 | Rotor, Flat | 2 | 430mm OD w/flange lock nuts - Con-Met hub, bolt-on ABS ring |
| | 125703 | Rotor, U-Shaped | 2 | 430mm OD w/bolt kit, bolt-on ABS ring - Hendrickson axle |
| | 125700 | Rotor, U-Shaped | 2 | 430mm OD w/bolt kit, cast-in ABS teeth - IMT axle |
| | 125705 | Rotor, U-Shaped | 2 | 430mm OD w/bolt kit, cast-in ABS teeth - Ridewell axle |
| | 704-131 | Rotor bolt kit | 2 | (10) M16 x 2.0 x 45mm Gr 10.9 w/hard flat washer - 125703 rotor |
| | 704-141 | Rotor bolt kit | 2 | (10) M16 x 2.0 x 35mm Gr 10.9 -125705 rotor |
| 11 | S-36224-4430 | Rotor shield | 2 | Hendrickson 5.75" LDA trailer axle w/mounting hardware |
| 12 | ◆ | ABS sensor | 2 | Refer to Dayton Parts ABS literature |

ADB Wabco - Steer & Drive
MAXXUS series

Air Disc Brakes

Air Disc Brakes



Air Disc Brakes

ADB Wabco - Steer & Drive MAXXUS series

Air Disc Brakes

| Key No. | Part Number | Description | No. Req. | Comments |
|---------|---------------|-----------------------------|----------|---|
| 1 | 26CV9342 | Disc pads - axle set | 1 | Up to 28.8k, Dayton Parts brand, pad hardware included |
| | 29AD9342 | Disc pads - axle set | 1 | Up to 28.8k, Dayton Parts brand, pad hardware included |
| | 640-322-934-2 | Disc pads - axle set | 1 | Up to 26.0k, Wabco OE, pad hardware included |
| 2 | 640-322-935-2 | Pressure plate kit | 1 | (1) Pair of pressure plates |
| 3 | 640-322-932-2 | Tappet boot & seal kit | 2 | MAXXUS only |
| 4 | 640-322-938-2 | Guide pin kit | 2 | Guide pins, boots, bushings, bolts & caps |
| 5 | ◆ | Carrier bracket | 2 | Not available separately |
| | ◆ | Carrier bolt kit | 2 | Varies by application |
| 6 | 640-322-065-0 | Caliper assy - new unloaded | 1 | Vertical mount w/pressure plate - LH |
| | 640-322-066-0 | Caliper assy - new unloaded | 1 | Vertical mount w/pressure plate - RH |
| | 640-322-927-2 | Adjuster resetting kit | 2 | Adjuster resetting kit only |
| 7 | 640-322-661-4 | Disc pad shield | 2 | MAXXUS only |
| 8 | 1824CWDL | Air chamber - Dayton Parts | 2 | 1824 Combo, 2.50" stroke, ports clocked 45 deg left |
| | 1824CWDR | Air chamber - Dayton Parts | 2 | 1824 Combo, 2.50" stroke, ports clocked 45 deg right |
| | 2024CWDL | Air chamber - Dayton Parts | 2 | 2024 Combo, 2.50" stroke, ports clocked 45 deg left |
| | 2024CWDR | Air chamber - Dayton Parts | 2 | 2024 Combo, 2.50" stroke, ports clocked 45 deg right |
| | S-38721-L | Air chamber - Wabco OE | 2 | 1824 Internal valve, 2.50" stroke, ports clocked 45 deg left |
| | S-38721-R | Air chamber - Wabco OE | 2 | 1824 Internal valve, 2.50" stroke, ports clocked 45 deg right |
| | S-38723-L | Air chamber - Wabco OE | 2 | 2024 Internal valve, 2.50" stroke, ports clocked 45 deg left |
| | S-38723-R | Air chamber - Wabco OE | 2 | 2024 Internal valve, 2.50" stroke, ports clocked 45 deg right |
| | 704-105 | Air chamber lock nut | 4 | M16 x 1.5 Nylon lock nut |
| 9 | ◆ | Anchor plate | 2 | Not available (not shown) |
| 10 | 125710 | Rotor, U-Shaped | 2 | 430mm OD w/bolt kit |
| 11 | 640-322-660-2 | Rotor shield | 2 | MAXXUS only |
| 12 | ◆ | ABS sensor | 2 | Refer to Dayton Parts ABS literature |

Air Disc Pads

Air Disc Brakes

Air Disc Brakes

Air Disc Pads

Bendix

ADB22X

| Disc Pad Set | Backing Plate No. | Backing Plate Length | Backing Plate Width | Friction Brand | Friction Material Rating | Hardware | Pad Set Does | Notes |
|--------------|-------------------|----------------------|---------------------|----------------|--------------------------|----------|--------------|----------------------------|
| 23AD1369 | D1369 | 8.30 | 3.65 | Dayton Parts | Up to 23.0k | Included | 1 Axle | Copper-free Copper-free |
| 29AD1369 | D1369 | 8.30 | 3.65 | Dayton Parts | Up to 28.8k | Included | 1 Axle | |
| 26CV1369 | D1369 | 8.30 | 3.65 | Dayton Parts | Up to 28.8k | Included | 1 Axle | |
| 26CV1369W | D1369 | 8.30 | 3.65 | Dayton Parts | Up to 28.8k | Included | 1 Wheel | |
| DSHP1369 | D1369 | 8.30 | 3.65 | Marathon | Up to 23.0k | Included | 1 Axle | |
| DSTP1369 | D1369 | 8.30 | 3.65 | Marathon | Up to 28.6k | Included | 1 Axle | |

Hendrickson

MAXX22T

| Disc Pad Set | Backing Plate No. | Backing Plate Length | Backing Plate Width | Friction Brand | Friction Material Rating | Hardware | Pad Set Does | Notes |
|---------------|-------------------|----------------------|---------------------|----------------|--------------------------|----------|--------------|-------------|
| 29AD1777H | D1777 | 8.28 | 3.49 | Dayton Parts | Up to 28.8k | Included | 1 Axle | Copper-free |
| 26CV1777H | D1777 | 8.28 | 3.49 | Dayton Parts | Up to 28.8k | Included | 1 Axle | |
| 640-222-927-2 | D1777 | 8.28 | 3.49 | Wabco OE | Up to 23.0k | Included | 1 Axle | |

Meritor

EX225 H2

| Disc Pad Set | Backing Plate No. | Backing Plate Length | Backing Plate Width | Friction Brand | Friction Material Rating | Hardware | Pad Set Does | Notes |
|--------------|-------------------|----------------------|---------------------|----------------|--------------------------|--------------|--------------|----------------------------|
| 23AD1311 | D1311 | 9.82 | 3.90 | Dayton Parts | Up to 23.0k | Springs only | 1 Axle | Copper-free Copper-free |
| 29AD1311 | D1311 | 9.82 | 3.90 | Dayton Parts | Up to 28.8k | Springs only | 1 Axle | |
| 26CV1311 | D1311 | 9.82 | 3.90 | Dayton Parts | Up to 28.8k | Springs only | 1 Axle | |
| 26CV1311W | D1311 | 9.82 | 3.90 | Dayton Parts | Up to 28.8k | Springs only | 1 Wheel | |
| DSHP1311 | D1311 | 9.82 | 3.90 | Marathon | Up to 23.0k | Springs only | 1 Axle | |
| DSTP1311 | D1311 | 9.82 | 3.90 | Marathon | Up to 28.6k | Springs only | 1 Axle | |

Rockwell

ADB1560

| Disc Pad Set | Backing Plate No. | Backing Plate Length | Backing Plate Width | Friction Brand | Friction Material Rating | Hardware | Pad Set Does | Notes |
|--------------|-------------------|----------------------|---------------------|----------------|--------------------------|--------------|--------------|--|
| D268-MP | D268 | 11.65 | 4.78 | Marathon | Up to 26.0k | Not included | 1 Axle | Inner pad dimensions. Outer pad: 11.65 x 5.25 |

Wabco

PAN17

| Disc Pad Set | Backing Plate No. | Backing Plate Length | Backing Plate Width | Friction Brand | Friction Material Rating | Hardware | Pad Set Does | Notes |
|--------------|-------------------|----------------------|---------------------|----------------|--------------------------|----------|--------------|-------------|
| 23AD1518 | D1518 | 6.91 | 3.14 | Dayton Parts | Up to 23.0k | Included | 1 Axle | Copper-free |
| 29AD1518 | D1518 | 6.91 | 3.14 | Dayton Parts | Up to 28.8k | Included | 1 Axle | |
| 26CV1518 | D1518 | 6.91 | 3.14 | Dayton Parts | Up to 28.8k | Included | 1 Axle | |
| DSHP1518 | D1518 | 6.91 | 3.14 | Marathon | Up to 23.0k | Included | 1 Axle | |
| 12-999-806 | D1518 | 6.91 | 3.14 | Wabco OE | Up to 23.0k | Included | 1 Axle | |

Air Disc Brakes

Air Disc Pads / Rotors

Air Disc Pads

Wabco PAN19

| Disc Pad Set | Backing Plate No. | Backing Plate Length | Backing Plate Width | Friction Brand | Friction Material Rating | Hardware | Pad Set Does | Notes |
|--------------|-------------------|----------------------|---------------------|----------------|--------------------------|----------|--------------|-------------|
| 23AD1438 | D1438 | 8.28 | 3.10 | Dayton Parts | Up to 23.0k | Included | 1 Axle | Copper-free |
| 29AD1438 | D1438 | 8.28 | 3.10 | Dayton Parts | Up to 28.8k | Included | 1 Axle | |
| 26CV1438 | D1438 | 8.28 | 3.10 | Dayton Parts | Up to 28.8k | Included | 1 Axle | |
| 12-999-737VT | D1438 | 8.28 | 3.10 | Wabco OE | Up to 23.0k | Included | 1 Axle | |

Wabco PAN22

| Disc Pad Set | Backing Plate No. | Backing Plate Length | Backing Plate Width | Friction Brand | Friction Material Rating | Hardware | Pad Set Does | Notes |
|---------------|-------------------|----------------------|---------------------|----------------|--------------------------|----------|--------------|-------------|
| 23AD1777 | D1777 | 8.28 | 3.49 | Dayton Parts | Up to 23.0k | Included | 1 Axle | Copper-free |
| 29AD1777 | D1777 | 8.28 | 3.49 | Dayton Parts | Up to 28.8k | Included | 1 Axle | |
| 26CV1777 | D1777 | 8.28 | 3.49 | Dayton Parts | Up to 28.8k | Included | 1 Axle | |
| DSHP1777 | D1777 | 8.28 | 3.49 | Marathon | Up to 23.0k | Included | 1 Axle | |
| DSTP1777 | D1777 | 8.28 | 3.49 | Marathon | Up to 28.6k | Included | 1 Axle | |
| 640-225-922-2 | D1777 | 8.28 | 3.49 | Wabco OE | Up to 28.8k | Included | 1 Axle | |

Wabco MAXXUS

| Disc Pad Set | Backing Plate No. | Backing Plate Length | Backing Plate Width | Friction Brand | Friction Material Rating | Hardware | Pad Set Does | Notes |
|---------------|-------------------|----------------------|---------------------|----------------|--------------------------|----------|--------------|-------------|
| 29AD9342 | D2061 | 8.28 | 3.49 | Dayton Parts | Up to 28.8k | Included | 1 Axle | Copper-free |
| 26CV9342 | D2061 | 8.28 | 3.49 | Dayton Parts | Up to 28.8k | Included | 1 Axle | |
| 640-322-934-2 | D2061 | 8.28 | 3.49 | Wabco OE | Up to 26.0k | Included | 1 Axle | |

Air Disc Rotors

Bendix Flat

| Rotor No. | Dia. Metric | Dia. Std. | Thick. Metric | Thick. Std. | Min. Thick. Metric | Min. Thick. Std. | Overall Height Metric | Overall Height Std. | Pilot Metric | Pilot Std. | Bolt Circle Metric | Bolt Circle Std. | Mounting Holes | Hole Size | Weight LBS. |
|-----------|-------------|-----------|---------------|-------------|--------------------|------------------|-----------------------|---------------------|--------------|------------|--------------------|------------------|----------------|-----------|-------------|
| 125804 | 430.00 | 16.93 | 45.00 | 1.77 | 37.00 | 1.46 | 45.00 | 1.77 | — | — | 230.00 | 9.06 | 10 | M8x1.25 | 66.50 |

Bendix U-Shape

| Rotor No. | Dia. Metric | Dia. Std. | Thick. Metric | Thick. Std. | Min. Thick. Metric | Min. Thick. Std. | Overall Height Metric | Overall Height Std. | Pilot Metric | Pilot Std. | Bolt Circle Metric | Bolt Circle Std. | Mounting Holes | Hole Size | Weight LBS. |
|-----------|-------------|-----------|---------------|-------------|--------------------|------------------|-----------------------|---------------------|--------------|------------|--------------------|------------------|----------------|-----------|-------------|
| 125803 | 430.00 | 16.93 | 45.00 | 1.77 | 37.00 | 1.46 | 138.20 | 5.44 | 220.00 | 8.66 | 249.50 | 9.82 | 10 | 5/8-11 | 80.10 |
| 125802 | 430.00 | 16.93 | 45.00 | 1.77 | 37.00 | 1.46 | 150.10 | 5.91 | 220.00 | 8.66 | 249.50 | 9.82 | 10 | 5/8-11 | 82.30 |

Con-Met Flat

| Rotor No. | Dia. Metric | Dia. Std. | Thick. Metric | Thick. Std. | Min. Thick. Metric | Min. Thick. Std. | Overall Height Metric | Overall Height Std. | Pilot Metric | Pilot Std. | Bolt Circle Metric | Bolt Circle Std. | Mounting Holes | Hole Size | Weight LBS. |
|-----------|-------------|-----------|---------------|-------------|--------------------|------------------|-----------------------|---------------------|--------------|------------|--------------------|------------------|----------------|-----------|-------------|
| 125701 | 430.00 | 16.93 | 45.00 | 1.77 | 37.00 | 1.46 | 53.00 | 2.09 | — | — | 199.50 | 7.85 | 10 | 5/8"-18 | 69.50 |

Air Disc Rotors / Calipers

Air Disc Brakes

Air Disc Brakes

Air Disc Rotors

Con-Met

U-Shape

| Rotor No. | Dia. Metric | Dia. Std. | Thick. Metric | Thick. Std. | Min. Thick. Metric | Min. Thick. Std. | Overall Height Metric | Overall Height Std. | Pilot Metric | Pilot Std. | Bolt Circle Metric | Bolt Circle Std. | Mounting Holes | Hole Size | Weight LBS. |
|-----------|-------------|-----------|---------------|-------------|--------------------|------------------|-----------------------|---------------------|--------------|------------|--------------------|------------------|----------------|-----------|-------------|
| 125710 | 430.00 | 16.93 | 45.00 | 1.77 | 37.00 | 1.46 | 159.50 | 6.28 | | | 285.80 | 11.25 | 10 | M16 x 1.5 | 88.50 |

Hendrickson

U-Shape

| Rotor No. | Dia. Metric | Dia. Std. | Thick. Metric | Thick. Std. | Min. Thick. Metric | Min. Thick. Std. | Overall Height Metric | Overall Height Std. | Pilot Metric | Pilot Std. | Bolt Circle Metric | Bolt Circle Std. | Mounting Holes | Hole Size | Weight LBS. |
|-----------|-------------|-----------|---------------|-------------|--------------------|------------------|-----------------------|---------------------|--------------|------------|--------------------|------------------|----------------|-----------|-------------|
| 125707 | 325.00 | 12.80 | 34.00 | 1.34 | 28.00 | 1.10 | 150.80 | 5.94 | 219.80 | 8.65 | 249.50 | 9.82 | 8 | M16 x 2.0 | 55.00 |
| 125706 | 375.00 | 14.76 | 45.00 | 1.77 | 37.00 | 1.46 | 150.10 | 5.91 | 220.00 | 8.66 | 249.50 | 9.82 | 10 | M16 x 2.0 | 68.00 |
| 125500 | 415.00 | 16.34 | 45.00 | 1.77 | 37.00 | 1.46 | 150.10 | 5.91 | 220.00 | 8.66 | 249.50 | 9.82 | 10 | M16 x 2.0 | 70.40 |
| 125703 | 430.00 | 16.93 | 45.00 | 1.77 | 37.00 | 1.46 | 150.10 | 5.91 | 220.00 | 8.66 | 249.50 | 9.82 | 10 | M16 x 2.0 | 84.00 |

IMT

U-Shape

| Rotor No. | Dia. Metric | Dia. Std. | Thick. Metric | Thick. Std. | Min. Thick. Metric | Min. Thick. Std. | Overall Height Metric | Overall Height Std. | Pilot Metric | Pilot Std. | Bolt Circle Metric | Bolt Circle Std. | Mounting Holes | Hole Size | Weight LBS. |
|-----------|-------------|-----------|---------------|-------------|--------------------|------------------|-----------------------|---------------------|--------------|------------|--------------------|------------------|----------------|-----------|-------------|
| 125704 | 325.00 | 12.80 | 34.00 | 1.34 | 28.00 | 1.10 | 148.50 | 5.85 | 173.00 | 6.81 | 196.00 | 7.72 | 8 | M14 x 2.0 | 47.50 |
| 125702 | 377.00 | 14.84 | 45.00 | 1.77 | 37.00 | 1.46 | 150.10 | 5.91 | 220.00 | 8.66 | 249.50 | 9.82 | 10 | M16 x 2.0 | 60.70 |
| 125700 | 430.00 | 16.93 | 45.00 | 1.77 | 37.00 | 1.46 | 150.10 | 5.91 | 220.00 | 8.66 | 249.50 | 9.82 | 10 | M16 x 2.0 | 83.60 |

Meritor

U-Shape

| Rotor No. | Dia. Metric | Dia. Std. | Thick. Metric | Thick. Std. | Min. Thick. Metric | Min. Thick. Std. | Overall Height Metric | Overall Height Std. | Pilot Metric | Pilot Std. | Bolt Circle Metric | Bolt Circle Std. | Mounting Holes | Hole Size | Weight LBS. |
|-----------|-------------|-----------|---------------|-------------|--------------------|------------------|-----------------------|---------------------|--------------|------------|--------------------|------------------|----------------|-----------|-------------|
| 125600 | 434.00 | 17.09 | 45.00 | 1.77 | 37.00 | 1.46 | 143.30 | 5.64 | 215.90 | 8.50 | 266.70 | 10.50 | 10 | 5/8"-18 | 88.00 |

Ridewell

U-Shape

| Rotor No. | Dia. Metric | Dia. Std. | Thick. Metric | Thick. Std. | Min. Thick. Metric | Min. Thick. Std. | Overall Height Metric | Overall Height Std. | Pilot Metric | Pilot Std. | Bolt Circle Metric | Bolt Circle Std. | Mounting Holes | Hole Size | Weight LBS. |
|-----------|-------------|-----------|---------------|-------------|--------------------|------------------|-----------------------|---------------------|--------------|------------|--------------------|------------------|----------------|-----------|-------------|
| 125705 | 430.00 | 16.93 | 45.00 | 1.77 | 37.00 | 1.46 | 150.10 | 5.91 | 219.80 | 8.65 | 249.50 | 9.82 | 10 | M16 x 2.0 | 82.70 |

Air Disc Calipers

Bendix

ADB22X

| Caliper No. | Tappets | Air Chamber Angle | Carrier Mount | ABS | Wheel Rotation | Loaded | Disc Pad | Disc Pad Brand | Friction Rating | New / Reman |
|--------------|---------|-------------------|---------------|-----|----------------|--------|----------|----------------|-----------------|-------------|
| 711-13N1C26N | 2 | 0 Degrees | Axial | No | Right | Yes | 1369 | Dayton Parts | Up to 28.8k | New |
| 711-13N2C26N | 2 | 0 Degrees | Axial | No | Left | Yes | 1369 | Dayton Parts | Up to 28.8k | New |
| 711-13N1XXXN | 2 | 0 Degrees | Axial | No | Right | No | 1369 | — | — | New |
| 711-13N2XXXN | 2 | 0 Degrees | Axial | No | Left | No | 1369 | — | — | New |
| 711-21N1C26N | 2 | 12 Degrees | Axial | No | Right | Yes | 1369 | Dayton Parts | Up to 28.8k | New |
| 711-21N2C26N | 2 | 12 Degrees | Axial | No | Left | Yes | 1369 | Dayton Parts | Up to 28.8k | New |
| 711-21N1XXXN | 2 | 12 Degrees | Axial | No | Right | No | 1369 | — | — | New |
| 711-21N2XXXN | 2 | 12 Degrees | Axial | No | Left | No | 1369 | — | — | New |
| 711-22N1C26N | 2 | 12 Degrees | Vertical | No | Right | Yes | 1369 | Dayton Parts | Up to 28.8k | New |
| 711-22N2C26N | 2 | 12 Degrees | Vertical | No | Left | Yes | 1369 | Dayton Parts | Up to 28.8k | New |
| 711-22N1XXXN | 2 | 12 Degrees | Vertical | No | Right | No | 1369 | — | — | New |
| 711-22N2XXXN | 2 | 12 Degrees | Vertical | No | Left | No | 1369 | — | — | New |

Air Disc Brakes

Air Disc Calipers

Air Disc Calipers

Hendrickson

MAXX22T

| Caliper No. | Tappets | Air Chamber Angle | Carrier Mount | ABS | Wheel Rotation | Loaded | Disc Pad | Disc Pad Brand | Friction Rating | New / Reman |
|-------------|---------|-------------------|---------------|-----|----------------|--------|----------|----------------|-----------------|-------------|
| S-35303-7 | 1 | 0 Degrees | Axial | No | Left | No | 1777H | — | — | New |
| S-35303-8 | 1 | 0 Degrees | Axial | No | Right | No | 1777H | — | — | New |

Meritor

EX225 H2

| Caliper No. | Tappets | Air Chamber Angle | Carrier Mount | ABS | Wheel Rotation | Loaded | Disc Pad | Disc Pad Brand | Friction Rating | New / Reman |
|--------------|---------|-------------------|---------------|-----|----------------|--------|----------|----------------|-----------------|-------------|
| 761-11N1C26N | 2 | 0 Degrees | Axial | No | Right | Yes | 1311 | Dayton Parts | Up to 28.8k | New |
| 761-11N2C26N | 2 | 0 Degrees | Axial | No | Left | Yes | 1311 | Dayton Parts | Up to 28.8k | New |
| 761-11N1XXXN | 2 | 0 Degrees | Axial | No | Right | No | 1311 | — | — | New |
| 761-11N2XXXN | 2 | 0 Degrees | Axial | No | Left | No | 1311 | — | — | New |

Wabco

PAN17

| Caliper No. | Tappets | Air Chamber Angle | Carrier Mount | ABS | Wheel Rotation | Loaded | Disc Pad | Disc Pad Brand | Friction Rating | New / Reman |
|-------------|---------|-------------------|---------------|-----|----------------|--------|----------|----------------|-----------------|-------------|
| 40-175-072 | 1 | 0 Degrees | Axial | No | Left | No | 1518 | — | — | New |
| 40-175-073 | 1 | 0 Degrees | Axial | No | Right | No | 1518 | — | — | New |

Wabco

PAN19

| Caliper No. | Tappets | Air Chamber Angle | Carrier Mount | ABS | Wheel Rotation | Loaded | Disc Pad | Disc Pad Brand | Friction Rating | New / Reman |
|-------------|---------|-------------------|---------------|-----|----------------|--------|----------|----------------|-----------------|-------------|
| 40-195-037 | 1 | 0 Degrees | Axial | No | Left | No | 1438 | — | — | New |
| 40-195-038 | 1 | 0 Degrees | Axial | No | Right | No | 1438 | — | — | New |

Wabco

PAN22

| Caliper No. | Tappets | Air Chamber Angle | Carrier Mount | ABS | Wheel Rotation | Loaded | Disc Pad | Disc Pad Brand | Friction Rating | New / Reman |
|---------------|---------|-------------------|---------------|-----|----------------|--------|----------|----------------|-----------------|-------------|
| 40-225-015 | 1 | 0 Degrees | Axial | No | Left | No | 1777 | — | — | New |
| 40-225-016 | 1 | 0 Degrees | Axial | No | Right | No | 1777 | — | — | New |
| 640-225-080-0 | 1 | 0 Degrees | Axial | No | Left | No | 1777 | — | — | New |
| 640-225-081-0 | 1 | 0 Degrees | Axial | No | Right | No | 1777 | — | — | New |

Wabco

MAXXUS

| Caliper No. | Tappets | Air Chamber Angle | Carrier Mount | ABS | Wheel Rotation | Loaded | Disc Pad | Disc Pad Brand | Friction Rating | New / Reman |
|---------------|---------|-------------------|---------------|-----|----------------|--------|----------|----------------|-----------------|-------------|
| 640-322-065-0 | 1 | 0 Degrees | Vertical | No | Left | No | 9342 | — | — | New |
| 640-322-066-0 | 1 | 0 Degrees | Vertical | No | Right | No | 9342 | — | — | New |

Air Disc Chambers / Air Disc Components

Air Disc Brakes

Air Disc Brakes

Air Disc Chambers

Dayton Parts Brand

| Chamber No. | Brake System | Chamber Design | Service Brake Size | Parking Brake Size | Pushrod Stroke | Inlet Port Clocking |
|-------------|--------------|-----------------------|--------------------|--------------------|----------------|---------------------|
| 1824CBD | Bendix | Double diaphragm | 18 | 24 | 2.25 | 0 Deg |
| 1824PBD | | Piston/Internal valve | 18 | 24 | 2.50 | 0 Deg |
| 20SBD | | Service chamber | 20 | — | 2.50 | 0 Deg |
| 2024CBD | | Double diaphragm | 20 | 24 | 2.50 | 0 Deg |
| 2024PBD | | Piston/Internal valve | 20 | 24 | 2.50 | 0 Deg |
| 1824CWDL | Wabco | Double diaphragm | 18 | 24 | 2.50 | 45 Deg left |
| 1824CWDR | | Double diaphragm | 18 | 24 | 2.50 | 45 Deg right |
| 2024CWDL | | Double diaphragm | 20 | 24 | 2.50 | 45 Deg left |
| 2024CWDR | | Double diaphragm | 20 | 24 | 2.50 | 45 Deg right |

Wabco OE Brand

| Chamber No. | Brake System | Chamber Design | Service Brake Size | Parking Brake Size | Pushrod Stroke | Inlet Port Clocking |
|-------------|--------------|-----------------------|--------------------|--------------------|----------------|---------------------|
| S-38721-L | Wabco | Piston/Internal valve | 18 | 24 | 2.50 | 45 Deg left |
| S-38721-R | Wabco | Piston/Internal valve | 18 | 24 | 2.50 | 45 Deg right |
| S-38723-L | Wabco | Piston/Internal valve | 20 | 24 | 2.50 | 45 Deg left |
| S-38723-R | Wabco | Piston/Internal valve | 20 | 24 | 2.50 | 45 Deg right |

Air Disc Components

Adjuster Caps

| | Part No. | Brake System | Brake Series | Part Descr. | Contents | Number Per |
|--------------|---------------|--------------|--------------|------------------------|----------------------------------|------------|
| Dayton Parts | 704-001 | Bendix | ADB22X | Adjuster cap | Adjuster cap & shear adapter | 2 |
| Wabco OE | 640-322-927-2 | Wabco | MAXXUS | Adjuster resetting kit | Adjuster bolt & cap, MAXXUS only | 2 |
| Dayton Parts | 704-052 | Meritor | EX225 | Adjuster cap | Plasic cap w/retainer | 2 |

Carrier Bolt Kits

| | Part No. | Brake System | Brake Series | Part Descr. | Contents | Number Per |
|--------------|----------|--------------|--------------|---------------------------|---|------------|
| Dayton Parts | 704-110 | Bendix | ADB22X | Carrier mounting bolt kit | Axial mount, M20 x 2.5 x 60mm Gr 10.9 w/hard flat washer | 2 |
| | 704-120 | Bendix | ADB22X | Carrier mounting bolt kit | Veritcal mount, M16 x 2.0 x 110mm Gr 10.9 no washer | 2 |
| | 704-130 | Hendrickson | MAXX22T | Carrier mounting bolt kit | Axial mount, M18 x 2.5 x 55mm Gr 10.9 w/hard flat washer | 2 |
| | 704-125 | Meritor | EX225 | Carrier mounting bolt kit | Axial mount, M20 x 1.5 x 60mm Gr 10.9 w/hard flat washer, FF/FG, R axles | 2 |
| | 704-126 | Meritor | EX225 | Carrier mounting bolt kit | Axial mount, M20 x 1.5 x 55mm Gr 10.9 w/hard flat washer, FH/FL axles | 2 |
| | 704-140 | Ridewell | PAN22 | Carrier mounting bolt kit | Axial mount, M16 x 1.5 x 55mm Gr 10.9, (1) shoulder bolt & (5) flange bolts | 2 |

Air Disc Brakes

Air Disc Components

Carrier Brackets

| | Part No. | Brake System | Brake Series | Part Descr. | Contents | Number Per |
|--------------|----------|--------------|--------------|---------------------|---|------------|
| Dayton Parts | 704-111 | Bendix | ADB22X | Carrier bracket kit | Steer/Drive axial carrier w/mounting bolt kit | 2 |
| | 704-112 | Bendix | ADB22X | Carrier bracket kit | Steer/Drive vertical carrier w/mounting bolt kit | 2 |
| | 704-113 | Bendix | ADB22X | Carrier bracket kit | Trailer axial carrier w/mounting bolt kit | 2 |
| | 704-135 | Meritor | EX225 | Carrier bracket kit | Steer/Drive axial carrier w/mounting bolt kit, FF/FG, R axles | 2 |
| | 704-136 | Meritor | EX225 | Carrier bracket kit | Steer/Drive axial carrier w/mounting bolt kit, FH/FL axles | 2 |

Chamber Hardware

| | Part No. | Brake System | Brake Series | Part Descr. | Contents | Number Per |
|--------------|----------|--------------|--------------|----------------------|--------------------------|------------|
| Dayton Parts | 704-105 | All | All | Air chamber lock nut | M16 x 1.5 Nylon lock nut | 4 |

Disc Pad Shields

| | Part No. | Brake System | Brake Series | Part Descr. | Contents | Number Per |
|--------------|---------------|--------------|--------------|-----------------|--------------------------|------------|
| Dayton Parts | 02-550 | Bendix | ADB22X | Disc pad shield | Shield only, no hardware | 2 |
| Wabco OE | 640-322-661-4 | Wabco | MAXXUS | Disc pad shield | Shield only, no hardware | 2 |

Guide Pin Kits

| | Part No. | Brake System | Brake Series | Part Descr. | Contents | Number Per |
|--------------|---------------|--------------|--------------|-------------------|---|------------|
| Dayton Parts | 704-003 | Bendix | ADB22X | Guide pin cap kit | Guide pin caps only | 2 |
| | 704-004 | Bendix | ADB22X | Guide pin kit | Guide pins, boots, retainer rings, bushings, bolts & caps | 2 |
| | 704-055 | Meritor | EX225 | Guide pin kit | Guide pins, boots, bushings, bolts & caps | 2 |
| Wabco OE | 640-222-928-2 | Hendrickson | MAXX22T | Guide pin kit | Guide pins, boots, bushings, bolts & caps, MAXX22T only | 2 |
| | 12-999-699VT | Wabco | PAN17 | Guide pin kit | Guide pins, boots, bushings, bolts & caps | 2 |
| | 640-225-921-2 | Wabco | PAN19, PAN22 | Guide pin kit | Guide pins, boots, bushings, bolts & caps | 2 |
| | 640-225-930-2 | Wabco | PAN22 | Guide pin cap kit | Guide pin caps only | 2 |
| | 640-322-938-2 | Wabco | MAXXUS | Guide pin kit | Guide pins, boots, bushings, bolts & caps | 2 |

Pressure Plate Kits

| | Part No. | Brake System | Brake Series | Part Descr. | Contents | Number Per |
|----------|---------------|--------------------|----------------|--------------------|---------------------------------------|------------|
| Wabco OE | 640-175-940-2 | Wabco | PAN17 | Pressure plate kit | (1) Pair of pressure plates - LH & RH | 1 |
| | 640-195-936-2 | Wabco | PAN19 | Pressure plate kit | (1) Pair of pressure plates - LH & RH | 1 |
| | 640-225-926-2 | Hendrickson, Wabco | MAXX22T, PAN22 | Pressure plate kit | (1) Pair of pressure plates - LH & RH | 1 |
| | 640-322-935-2 | Wabco | MAXXUS | Pressure plate kit | (1) Pair of pressure plates - LH & RH | 1 |

Rotor Bolt Kits

| | Part No. | Brake System | Brake Series | Part Descr. | Contents | Number Per |
|--------------|----------|--------------|--------------|----------------|--------------------------------|------------|
| Dayton Parts | 704-131 | Hendrickson | PAN22 | Rotor bolt kit | M16 x 2.0 x 45mm Gr 10.9 bolts | 2 |
| | 704-141 | Ridewell | PAN22 | Rotor bolt kit | M16 x 2.0 x 35mm Gr 10.9 bolts | 2 |

Air Disc Components / Air Disc Tools

Air Disc Brakes

Air Disc Brakes

Rotor Shields

| | Part No. | Brake System | Brake Series | Part Descr. | Contents | Number Per |
|--------------|---------------|--------------|--------------|--------------|--|------------|
| Dayton Parts | 02-551 | Bendix | ADB22X | Rotor shield | Drive axle, includes mounting hardware | 2 |
| | 02-552 | Bendix | ADB22X | Rotor shield | Trailer axle, includes mounting hardware | 2 |
| Hendrickson | S-35720-4415 | Hendrickson | MAXX22T | Rotor shield | 5.75" LDA trailer axle, includes mounting hardware | 2 |
| Wabco OE | 640-322-660-2 | Wabco | MAXXUS | Rotor shield | MAXXUS only | 2 |

Tappet Kits

| | Part No. | Brake System | Brake Series | Part Descr. | Contents | Number Per |
|--------------|---------------|--------------------|-------------------------|------------------------|--|------------|
| Dayton Parts | 704-002 | Bendix | ADB22X | Tappet & boot kit | (2) Tappets w/boots, tappet bushings & inner seals | 2 |
| | 704-050 | Meritor | EX225 | Tappet boot kit | Tappet boots only | 2 |
| Wabco OE | 640-175-920-2 | Hendrickson, Wabco | MAXX22T, All PAN series | Tappet seal kit | Tappet seal, adjuster boot & cap | 2 |
| | 640-322-932-2 | Wabco | MAXXUS | Tappet boot & seal kit | MAXXUS only | 2 |

Wear Indicators

| | Part No. | Brake System | Brake Series | Part Descr. | Contents | Number Per |
|--------------|----------|--------------|--------------|------------------------|----------------------------|------------|
| Dayton Parts | 704-051 | Meritor | EX225 | Pad wear indicator kit | Plastic indicator w/spring | 2 |

Air Disc Tools

| Tool Kit No. | Tool Kit Desc. | Brake System | Brake Series |
|---------------|---------------------|--------------------|-------------------------|
| 11-8000 | Complete tool kit | Bendix | ADB22X |
| 640-175-947-2 | Wrench & socket Kit | Hendrickson, Wabco | MAXX22T, PAN22 |
| 640-322-522-2 | Bushing tool kit | Hendrickson, Wabco | MAXX22T, MAXXUS |
| 640-195-522-2 | Basic tool Kit | Wabco | All PAN series & MAXXUS |
| 640-175-521-2 | Bushing tool kit | Wabco | PAN17 |
| 640-195-521-2 | Bushing tool kit | Wabco | PAN19, PAN22 |

Numerical Listing

Numerical Listing

| Part Number | Page |
|--------------|-----------------------|
| 02-550 | 3, 23 |
| 02-551 | 3, 24 |
| 02-552 | 3, 24 |
| 11-8000 | 24 |
| 12-999-699VT | 11, 23 |
| 12-999-737VT | 13, 19 |
| 12-999-806 | 11, 18 |
| 125500 | 5, 20 |
| 125600 | 7, 20 |
| 125700 | 15, 20 |
| 125701 | 3, 15, 19 |
| 125702 | 13, 20 |
| 125703 | 15, 20 |
| 125704 | 11, 20 |
| 125705 | 15, 20 |
| 125706 | 13, 20 |
| 125707 | 11, 20 |
| 125710 | 17, 20 |
| 125802 | 3, 19 |
| 125803 | 3, 19 |
| 125804 | 3, 19 |
| 1824CBD | 3, 22, 22 |
| 1824CWDL | 5, 11, 13, 15, 17, 22 |
| 1824CWDR | 5, 11, 13, 15, 17, 22 |
| 1824PBD | 3, 7, 22 |
| 2024CBD | 3, 22, 22 |
| 2024CWDL | 5, 11, 13, 15, 17, 22 |
| 2024CWDR | 5, 11, 13, 15, 17, 22 |
| 2024PBD | 3, 7, 22 |
| 20SBD | 3, 7 |
| 23AD1311 | 7, 18 |
| 23AD1369 | 3, 18 |
| 23AD1438 | 13, 19 |
| 23AD1518 | 11, 18 |
| 23AD1777 | 15, 19 |
| 26CV1311 | 7, 18 |
| 26CV1311W | 7, 18 |
| 26CV1369 | 3, 18 |
| 26CV1369W | 3, 18 |
| 26CV1438 | 13, 19 |
| 26CV1518 | 11, 18 |
| 26CV1777 | 15, 19 |
| 26CV1777H | 5, 18 |
| 26CV9342 | 17, 19 |
| 29AD1311 | 7, 18 |
| 29AD1369 | 3, 18 |
| 29AD1438 | 13, 19 |
| 29AD1518 | 11, 18 |

| Part Number | Page |
|---------------|-----------------------------|
| 29AD1777 | 15, 19 |
| 29AD1777H | 5, 18 |
| 29AD9342 | 17, 19 |
| 40-175-072 | 11, 21 |
| 40-175-073 | 11, 21 |
| 40-195-037 | 13, 21 |
| 40-195-038 | 13, 21 |
| 40-225-015 | 15, 21 |
| 40-225-016 | 15, 21 |
| 640-175-521-2 | 24 |
| 640-175-920-2 | 5, 11, 13, 15, 24 |
| 640-175-940-2 | 11, 23 |
| 640-175-947-2 | 24 |
| 640-195-521-2 | 24 |
| 640-195-522-2 | 24 |
| 640-195-936-2 | 13, 23 |
| 640-222-927-2 | 5, 18 |
| 640-222-928-2 | 5, 23 |
| 640-225-080-0 | 15, 21 |
| 640-225-081-0 | 15, 21 |
| 640-225-921-2 | 13, 15, 23 |
| 640-225-922-2 | 15, 19 |
| 640-225-926-2 | 5, 23 |
| 640-225-930-2 | 23 |
| 640-225-930-2 | 15 |
| 640-322-065-0 | 17, 21 |
| 640-322-066-0 | 17, 21 |
| 640-322-522-2 | 24 |
| 640-322-660-2 | 17, 24 |
| 640-322-661-4 | 17, 23 |
| 640-322-927-2 | 17, 22 |
| 640-322-932-2 | 24 |
| 640-322-934-2 | 17, 19 |
| 640-322-935-2 | 17, 23 |
| 640-322-938-2 | 17, 23 |
| 704-001 | 3, 22 |
| 704-002 | 3, 24 |
| 704-003 | 23 |
| 704-004 | 3, 23 |
| 704-050 | 7, 24 |
| 704-051 | 7, 24 |
| 704-052 | 7, 22 |
| 704-055 | 7, 23 |
| 704-105 | 3, 5, 7, 11, 13, 15, 17, 23 |
| 704-110 | 3, 15, 22 |
| 704-111 | 3, 23 |
| 704-112 | 3, 23 |
| 704-113 | 3, 23 |

| Part Number | Page |
|--------------|-----------------------|
| 704-120 | 3, 22 |
| 704-125 | 7, 22 |
| 704-126 | 7, 22 |
| 704-130 | 5, 22 |
| 704-131 | 5, 15, 23 |
| 704-135 | 7, 23 |
| 704-136 | 7, 23 |
| 704-140 | 15, 22 |
| 704-141 | 15, 23 |
| 711-13N1C26N | 3, 20 |
| 711-13N1XXXN | 3, 20 |
| 711-13N2C26N | 3, 20 |
| 711-13N2XXXN | 3, 20 |
| 711-21N1C26N | 3, 20 |
| 711-21N1XXXN | 3, 20 |
| 711-21N2C26N | 3, 20 |
| 711-21N2XXXN | 3, 20 |
| 711-22N1C26N | 3, 20 |
| 711-22N1XXXN | 3, 20 |
| 711-22N2C26N | 3, 20 |
| 711-22N2XXXN | 3, 20 |
| 761-11N1C26N | 7, 21 |
| 761-11N1XXXN | 7, 21 |
| 761-11N2C26N | 7, 21 |
| 761-11N2XXXN | 7, 21 |
| D268-MIP | 9, 18 |
| DSHP1311 | 7, 18 |
| DSHP1369 | 3, 18 |
| DSHP1518 | 11, 18 |
| DSHP1777 | 15, 19 |
| DSTP1311 | 7, 18 |
| DSTP1369 | 3, 18 |
| DSTP1777 | 15, 19 |
| S-35303-7 | 5, 21 |
| S-35303-8 | 5, 21 |
| S-35720-4415 | 5, 24 |
| S-36224-4430 | 15 |
| S-38721-L | 5, 11, 13, 15, 17, 22 |
| S-38721-R | 5, 11, 13, 15, 17, 22 |
| S-38723-L | 5, 11, 13, 15, 17, 22 |
| S-38723-R | 5, 11, 13, 15, 17, 22 |

Numerical Listing

Numerical Listing

| Part Number | Page |
|--------------|-----------------------|
| 02-550 | 3, 23 |
| 02-551 | 3, 24 |
| 02-552 | 3, 24 |
| 11-8000 | 24 |
| 12-999-699VT | 11, 23 |
| 12-999-737VT | 13, 19 |
| 12-999-806 | 11, 18 |
| 125500 | 5, 20 |
| 125600 | 7, 20 |
| 125700 | 15, 20 |
| 125701 | 3, 15, 19 |
| 125702 | 13, 20 |
| 125703 | 15, 20 |
| 125704 | 11, 20 |
| 125705 | 15, 20 |
| 125706 | 13, 20 |
| 125707 | 11, 20 |
| 125710 | 17, 20 |
| 125802 | 3, 19 |
| 125803 | 3, 19 |
| 125804 | 3, 19 |
| 1824CBD | 3, 22 |
| 1824CWDL | 5, 11, 13, 15, 17, 22 |
| 1824CWDR | 5, 11, 13, 15, 17, 22 |
| 1824PBD | 3, 7, 22 |
| 2024CBD | 3, 22 |
| 2024CWDL | 5, 11, 13, 15, 17, 22 |
| 2024CWDR | 5, 11, 13, 15, 17, 22 |
| 2024PBD | 3, 7, 22 |
| 20SBD | 3, 7, 22 |
| 23AD1311 | 7, 18 |
| 23AD1369 | 3, 18 |
| 23AD1438 | 13, 19 |
| 23AD1518 | 11, 18 |
| 23AD1777 | 15, 19 |
| 26CV1311 | 7, 18 |
| 26CV1311W | 7, 18 |
| 26CV1369 | 3, 18 |
| 26CV1369W | 3, 18 |
| 26CV1438 | 13, 19 |
| 26CV1518 | 11, 18 |
| 26CV1777 | 15, 19 |
| 26CV1777H | 5, 18 |
| 26CV9342 | 17, 19 |
| 29AD1311 | 7, 18 |
| 29AD1369 | 3, 18 |
| 29AD1438 | 13, 19 |
| 29AD1518 | 11, 18 |

| Part Number | Page |
|---------------|-----------------------------|
| 29AD1777 | 15, 19 |
| 29AD1777H | 5, 18 |
| 29AD9342 | 17, 19 |
| 40-175-072 | 11, 21 |
| 40-175-073 | 11, 21 |
| 40-195-037 | 13, 21 |
| 40-195-038 | 13, 21 |
| 40-225-015 | 15, 21 |
| 40-225-016 | 15, 21 |
| 640-175-521-2 | 24 |
| 640-175-920-2 | 5, 11, 13, 15, 24 |
| 640-175-940-2 | 11, 23 |
| 640-175-947-2 | 24 |
| 640-195-521-2 | 24 |
| 640-195-522-2 | 24 |
| 640-195-936-2 | 13, 23 |
| 640-222-927-2 | 5, 18 |
| 640-222-928-2 | 5, 23 |
| 640-225-080-0 | 15, 21 |
| 640-225-081-0 | 15, 21 |
| 640-225-921-2 | 13, 15, 23 |
| 640-225-922-2 | 15, 19 |
| 640-225-926-2 | 5, 15, 23 |
| 640-225-930-2 | 15, 23 |
| 640-225-938-2 | 23 |
| 640-322-065-0 | 17, 21 |
| 640-322-066-0 | 17, 21 |
| 640-322-522-2 | 24 |
| 640-322-660-2 | 17, 24 |
| 640-322-661-4 | 17, 23 |
| 640-322-927-2 | 17, 22 |
| 640-322-932-2 | 17, 24 |
| 640-322-934-2 | 17, 19 |
| 640-322-935-2 | 17, 23 |
| 640-322-938-2 | 17, 23 |
| 704-001 | 3, 22 |
| 704-002 | 3, 24 |
| 704-003 | 23 |
| 704-004 | 3, 23 |
| 704-050 | 7, 24 |
| 704-051 | 7, 24 |
| 704-052 | 7, 22 |
| 704-055 | 7, 23 |
| 704-105 | 3, 5, 7, 11, 13, 15, 17, 23 |
| 704-110 | 3, 15, 22 |
| 704-111 | 3, 23 |
| 704-112 | 3, 23 |
| 704-113 | 3, 23 |

| Part Number | Page |
|--------------|-----------------------|
| 704-120 | 3, 22 |
| 704-125 | 7, 22 |
| 704-126 | 7, 22 |
| 704-130 | 5, 22 |
| 704-131 | 5, 15, 23 |
| 704-135 | 7, 23 |
| 704-136 | 7, 23 |
| 704-140 | 15, 22 |
| 704-141 | 15, 23 |
| 711-13N1C26N | 3, 20 |
| 711-13N1XXXN | 3, 20 |
| 711-13N2C26N | 3, 20 |
| 711-13N2XXXN | 3, 20 |
| 711-21N1C26N | 3, 20 |
| 711-21N1XXXN | 3, 20 |
| 711-21N2C26N | 3, 20 |
| 711-21N2XXXN | 3, 20 |
| 711-22N1C26N | 3, 20 |
| 711-22N1XXXN | 3, 20 |
| 711-22N2C26N | 3, 20 |
| 711-22N2XXXN | 3, 20 |
| 761-11N1C26N | 7, 21 |
| 761-11N1XXXN | 7, 21 |
| 761-11N2C26N | 7, 21 |
| 761-11N2XXXN | 7, 21 |
| D268-MIP | 9, 18 |
| DSHP1311 | 7, 18 |
| DSHP1369 | 3, 18 |
| DSHP1518 | 11, 18 |
| DSHP1777 | 15, 19 |
| DSTP1311 | 7, 18 |
| DSTP1369 | 3, 18 |
| DSTP1777 | 15, 19 |
| S-35303-7 | 5, 21 |
| S-35303-8 | 5, 21 |
| S-35720-4415 | 5, 24 |
| S-36224-4430 | 15 |
| S-38721-L | 5, 11, 13, 15, 17, 22 |
| S-38721-R | 5, 11, 13, 15, 17, 22 |
| S-38723-L | 5, 11, 13, 15, 17, 22 |
| S-38723-R | 5, 11, 13, 15, 17, 22 |

AIR DISC BRAKE COMPONENTS

Dayton
parts[®] Dayton Parts, LLC

www.daytonparts.com

PUB-232-2019 / April 2019

Call Centers:

490 Railroad Avenue
Shiremanstown, PA 17011
800-233-0899

12390 184th Street
Edmonton, AB T5V 0A5
800-661-9861

Distribution Centers:

Shiremanstown, PA
Las Vegas, NV
Lewisville, TX
Edmonton, AB
Mississauga, ON
Montreal, QC



**PROVEN PERFORMANCE
MILE AFTER MILE**

