

# Dayton parts®

[www.daytonparts.com](http://www.daytonparts.com)

## AIR BRAKE COMPONENTS MASTER CATALOG



The names and reference numbers of manufacturers and suppliers, other than Dayton Parts, LLC, used in this catalog are shown only to assist our customers in identifying parts. Under no circumstances does Dayton Parts, LLC imply that the parts are of these OE manufacturers. Although care has been taken to ensure the accuracy of the data contained in this publication, Dayton Parts, LLC does not assume any liability for errors or omissions.

© Copyright 2018, Dayton Parts, LLC, all rights reserved. No part of this publication covered by the copyrights hereon may be reproduced or copied in any form or by any means whatsoever without the expressed prior written permission of Dayton Parts, LLC.

Reference [www.daytonparts.com](http://www.daytonparts.com) for continuing updates

### Table of Contents - Air Brake Components

<b>Schematics</b> . . . . .	<b>5-155</b>	<b>Camshaft by Length</b> . . . . .	<b>232-237</b>	<b>Slack Adjusters</b> . . . . .	<b>333-340</b>
<i>(listed by drum size and OEM)</i>				Manual Slack Adjusters . . . . .	333-335
12 1/4" Cam Brakes . . . . .	5-17	<b>Camshaft Head Types</b> . . . . .	<b>238-239</b>	Bendix Auto Slacks . . . . .	335
325mm Cam Brakes . . . . .	18	<i>(Group Numbers)</i>		Crewson Auto Slacks . . . . .	336
15" Cam Brakes . . . . .	19-35	<b>Camshafts</b> . . . . .	<b>240-279</b>	Gunitite Auto Slacks . . . . .	337
16 1/2" Cam Brakes . . . . .	36-149	12 1/4" Cam Brake . . . . .	240-246	Haldex Auto Slacks . . . . .	337-338
420mm Cam Brakes . . . . .	150	15" Cam Brakes . . . . .	247-253	Meritor Auto Slacks . . . . .	338
18" Cam Brakes . . . . .	151-153	16 1/2" Cam Brakes . . . . .	254-274	Clevis Assembly . . . . .	339
20" Cam Brakes . . . . .	154	18" Cam Brakes . . . . .	275-278	Clevis Pins . . . . .	339-340
				Hardware Kit . . . . .	340
				Slack Arm Bushing . . . . .	340
<b>Brake Shoes</b> . . . . .	<b>156-170</b>	<b>Camshaft Kits</b> . . . . .	<b>280-315</b>	<b>Air Chambers</b>	
12 1/4" Shoes . . . . .	156-158	12 1/4" Cam Brakes . . . . .	280-286	<b>and Components</b> . . . . .	<b>341-344</b>
325mm Shoes . . . . .	158	325mm Cam Brakes . . . . .	287		
15" Shoes . . . . .	158-160	15" Cam Brakes . . . . .	288-295	<b>Brake Drum Identification</b> . . . . .	<b>345</b>
16 1/2" Shoes . . . . .	161-165	16 1/2" Cam Brakes . . . . .	296-309		
420mm Shoes . . . . .	165	420mm Cam Brakes . . . . .	310	<b>Air Hose, Fittings</b>	
New Lined Shoes . . . . .	166-170	18" Cam Brakes . . . . .	311-313	<b>and Components</b> . . . . .	<b>346-355</b>
		20" Cam Brakes . . . . .	314		
<b>Brake Kits</b> . . . . .	<b>171-207</b>	<b>Camshaft Components</b> . . . . .	<b>316-332</b>	<b>Numerical Listing</b> . . . . .	<b>356-365</b>
12 1/4" Brake Kits . . . . .	171-178				
325mm Brake Kits . . . . .	179				
15" Brake Kits . . . . .	180-188				
16 1/2" Brake Kits . . . . .	189-202				
420mm Brake Kits . . . . .	203				
18" Brake Kits . . . . .	204-206				
20" Brake Kits . . . . .	207				
<b>New Lined Shoe Material</b> . . . . .	<b>208</b>				
<b>Brake Kit Grades</b> . . . . .	<b>209</b>				
<b>Brake Shoe Components</b> . . . . .	<b>210-231</b>				

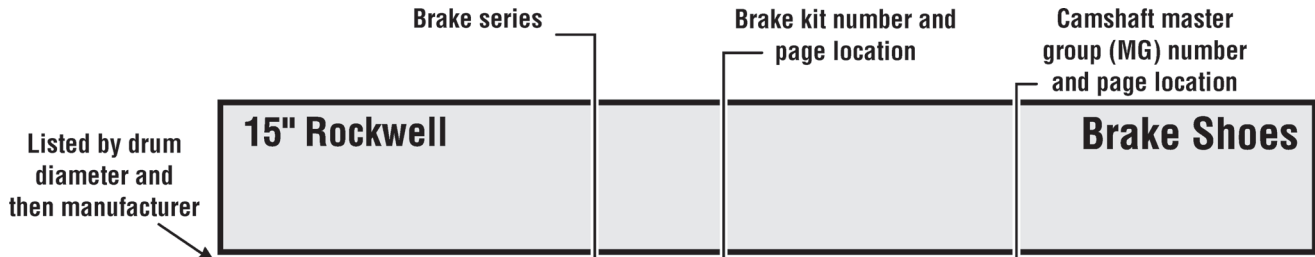
### Abbreviations and Symbols

DIA . . . . .	diameter	K . . . . .	thousands	SP . . . . .	special order
Ft . . . . .	feet	LH . . . . .	left hand	w/. . . . .	with
HD . . . . .	heavy duty	MG . . . . .	master group	° . . . . .	degrees
ID . . . . .	inside diameter	No . . . . .	number	# . . . . .	number
In/Lb . . . . .	inch pounds	OD . . . . .	outside diameter	" or " . . . . .	inches
Incl . . . . .	includes	RH . . . . .	right hand	◆ . . . . .	Not serviced by Dayton Parts



## How to use this catalog - Brake Shoe Section

Catalog User Instructions



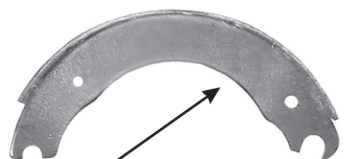
**15" Rockwell**

Listed by drum diameter and then manufacturer

**Brake Shoes**

Notes and Comments

Part No.	FMSI No.	Rivet Size	OEM Number	Brake Kit (page no.)	Camshaft Master Group (page no.)	Remarks
1308Q 4"	1308TT	10-7	A-3222-F-1982	08-111100 1 1/4" roller (186)	MG21 1 1/4" spider journal, 1 1/4"-24 spline	MG21 cams no longer available



Picture of shoe showing web shape

Shoe part number and width

FMSI lining number

OEM number

**Q-Plus series**

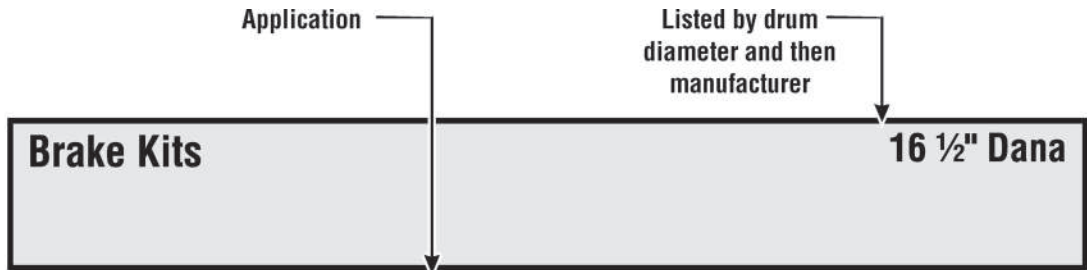
Part No.	FMSI No.	Rivet Size	OEM Number	Brake Kit (page no.)	Camshaft Master Group (page no.)	Remarks
4702QP 4"	4702	10-9	A-3222-M-2223	08-116000 1 1/4" roller (187)	MG26 1 1/2" spider journal, 1 1/2"-28 spline (252)	1st design shoe (web# A-3222-B-2108) no longer available, replace w/4702QP shoes both wheel ends per axle
4703QP	4703	10-9	A-3222-D-2110	08-116000 1 1/4" roller (187)	MG26 1 1/2" spider journal, 1 1/2"-28 spline (252)	LX/MX 500, MG29 cams no longer available, replace w/MG26 cams both wheel ends per axle, use 08-131810 cam kit
4704QP 6"	4704	10-9	A-3222-E-2111	08-116000 1 1/4" roller (187)	MG26 1 1/2" spider journal, 1 1/2"-28 spline (252)	Steer or Drive
4710QP 8 3/8"	4710	10-9	A-3222-A-2159	08-116000 1 1/4" roller (187)	MG26 1 1/2" spider journal, 1 1/2"-28 spline (252)	Drive
					MG90 1 1/2" spider journal, 1 1/2"-28 spline (253)	Trailer, QP shoe not interchangeable w/IMT shoe



Part No.	FMSI No.	Rivet Size	OEM Number	Brake Kit (page no.)	Camshaft Master Group (page no.)	Remarks
1308T 4"	1308TT	10-7	A-3222-F-1072	08-110700 1 1/4" roller (188)	MG20 1 1/4" spider journal, 1 1/4"-10 spline	MG20 cams no longer available, cannot convert 1308T shoes to 1308Q shoes



## How to use this catalog - Kit Sections



### Trailer axle - FC series (08-108800 Shown)

**Base Kit Contents**

- 01-369 Standard Return Spring
- 01-320 Spring Clip
- 01-370 Retainer Spring
- 01-434 Anchor Pin
- 02-219 Anchor Pin Bushing
- 01-200 1 1/4" Roller
- 01-313 Roller Retainer

**ADDITIONAL COMPONENT OPTIONS**

- 01-379 Heavy Duty Return Spring
- 01-322 Severe Service Return Spring
- 01-234 1 1/4" Knurled Roller

**Additional component options**

**Camshaft(s) master group (MG) number and page location**

**MASTER GROUP 57**  
1 1/2" Spider Journal,  
1 1/2"- 10 Spline

1.38"

**MASTER GROUP 58**  
1 1/2" Spider Journal,  
1 1/2"- 28 Spline

1.38"

**Base kit number (first in list)**

**Kit Options** \*Kits include the components shown with the following exceptions by Part Number.

Kit Number	Return Spring	Roller	Kit Number	Return Spring	Roller
08-108800	01-369	01-200	08-108834	01-379	01-234
08-108804	01-369	01-234	08-108860	01-322	01-200
08-108830	01-379	01-200	08-108864	01-322	01-234

**Optional kits**

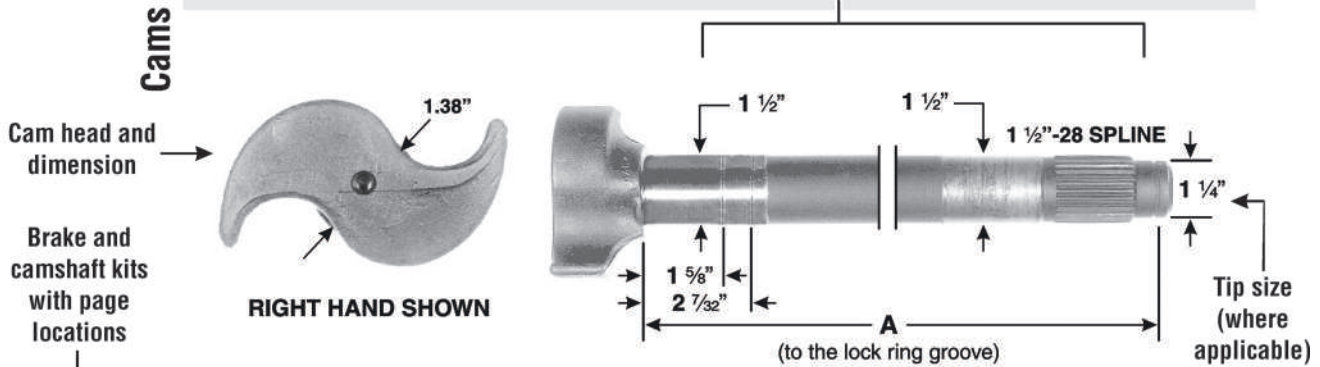
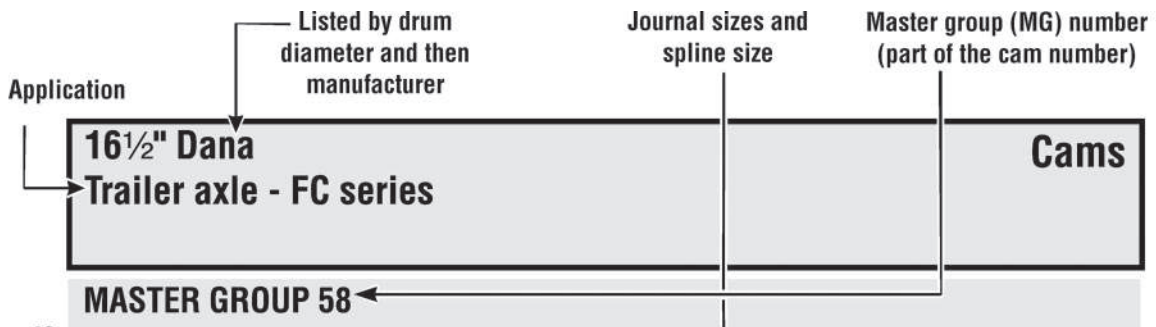
#### Shoes

Shoe Part No.	Shoe Size	Remarks	Refer to Page
4515Q	7"		161

**Brake shoes available**

## How to use this catalog - Camshaft Section

Catalog User Instructions



Brake and camshaft kits with page locations

Type of Kit	Axle Kit	Wheel Kit	Comments	Page
Brake	—	08-108830	1 1/4" roller - heavy duty return spring - OE Equivalent	189
	—	4515030	1 1/4" roller - heavy duty return spring - Cost-Plus	—
Camshaft	08-132110	08-132160	Sintered metal spider bushing w/03-208 support bushing - 4 bolt retainer plate	296

### Cam Lengths Available

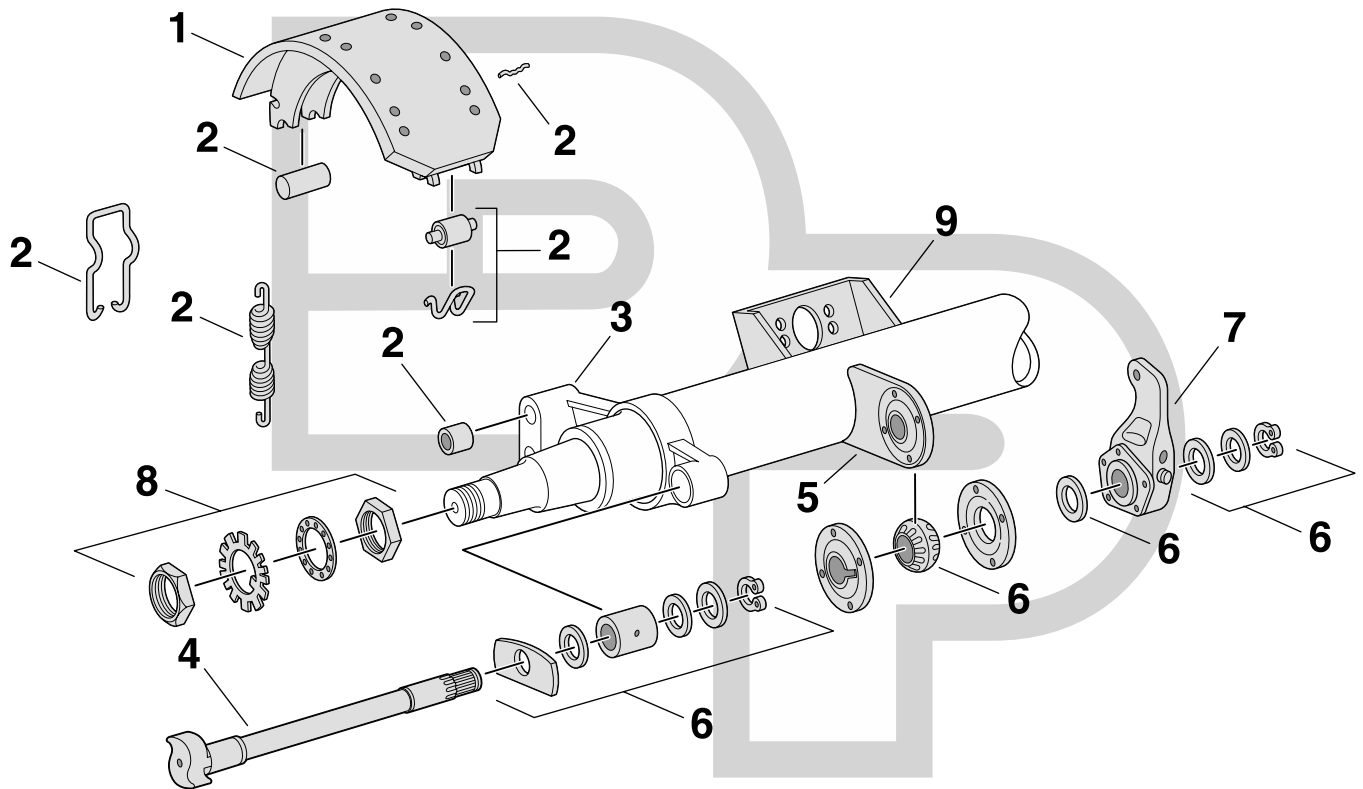
Length (A)	DP Part Number	Right Hand/Left Hand Rotation	OEM Part Number
20%	04-582041	Right	M16WK105-17
	04-582042	Left	M16WK104-17
22%	04-582271	Right	M16WK105-23
	04-582272	Left	M16WK104-23
23 1/2	04-582351	Right	M16WK105-25
	04-582352	Left	M16WK104-25

Length from under the head to the outside of the lock ring groove

OEM reference number

04- Camshaft  
58 Master group number  
235 Length rounded up to the nearest 1/8"

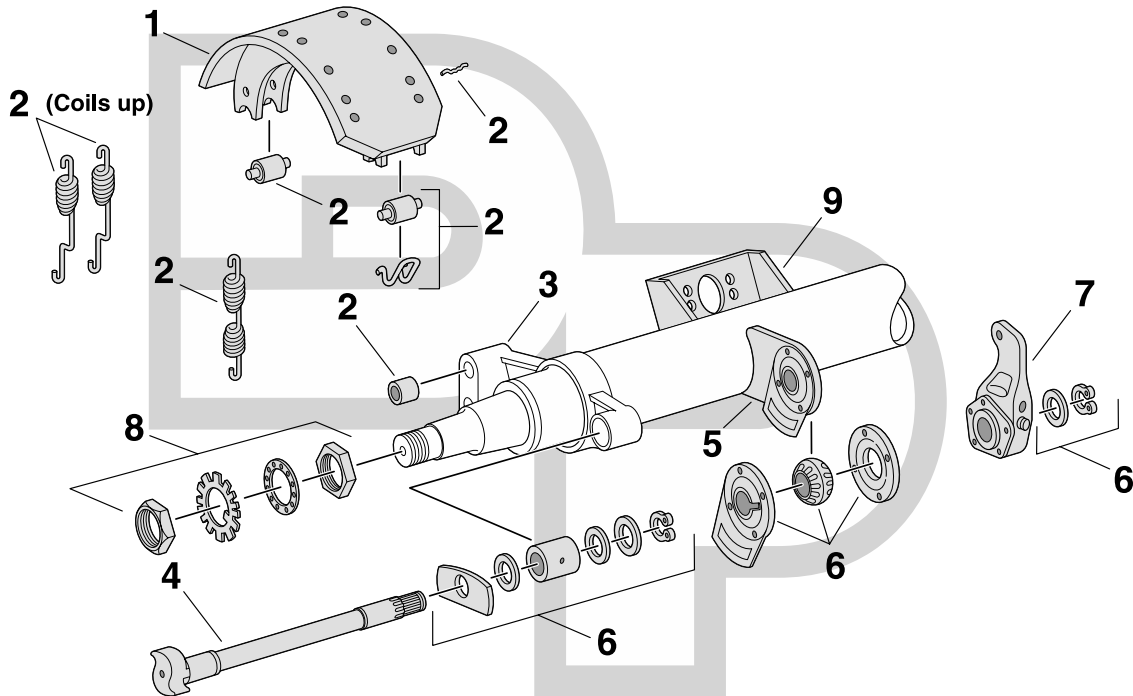
Left hand / Right hand (part of the cam number)



Key No.	Part Number	Description	No. Req.	Comments
1	4536FC 23M4536FC SB23M4536FCU 4692FC 20M4692FC SB20M4692FCU 21P4692FC SB21P4692FCU 23M4692FC SB23M4692FCU 23P4692FC SB23P4692FCU	5 1/2" Unlined brake shoe 5 1/2" New lined shoe New lined shoebox 7 1/2" Unlined brake shoe 7 1/2" New lined shoe New lined shoebox 7 1/2" New lined shoe New lined shoebox 7 1/2" New lined shoe New lined shoebox 7 1/2" New lined shoe New lined shoebox 7 1/2" New lined shoe New lined shoebox	4 4 2 4 4 2 4 2 4 2 4 2	4536E brake block - 4536FC shoe available lined only 23k medium grade, Marathon FLOE (2) 23M4536FC shoes & (1) 08-105700 kit 4692 brake block - 4692FC shoe available lined only 20k medium grade, Marathon UB (2) 20M4692FC shoes & (1) 08-105700 kit 21k premium grade, Marathon HS20 (2) 21P4692FC shoes & (1) 08-105700 kit 23k medium grade, Marathon FLOE (2) 23M4692FC shoes & (1) 08-105700 kit 23k premium grade, Marathon HS (2) 23P4591FC shoes & (1) 08-105700 kit
2	08-105700	OE Equivalent brake kit	2	1 1/2" roller - standard return spring - 1" anchor pin holes
3	◆	Spider	2	Weld on spider not available
4	Chart Chart	Camshaft Camshaft	2 2	1 1/2" spider journal, 1 1/2"-10 spline, see cam section 12 1/4" Dana MG63 1 1/2" spider journal, 1 1/2"-28 spline, see cam section 12 1/4" Dana MG64
5	03-115	Camshaft support bracket	2	Spherical support w/03-208 support bushing - 4 bolt retainer plate
6	08-132300 08-132310	Camshaft kit Camshaft kit	1 1	Nylon spider bushing w/03-208 support bushing - 4 bolt retainer plate Sintered metal spider bushing w/03-208 support bushing - 4 bolt retainer plate
7	05-250 05-251 05-552	Manual slack Manual slack Automatic slack	2 2 2	1 1/2"-10 spline, 6" curved arm - MG63 cam 1 1/2"-28 spline, 6" curved arm - MG64 cam 1 1/2"-28 spline, 6" recessed arm - Crewson replacement - MG64 cam
8	—	Axle nut assembly	2	See 213 catalog
9	Chart	Air chamber bracket	2	See air chamber bracket section



Schematics

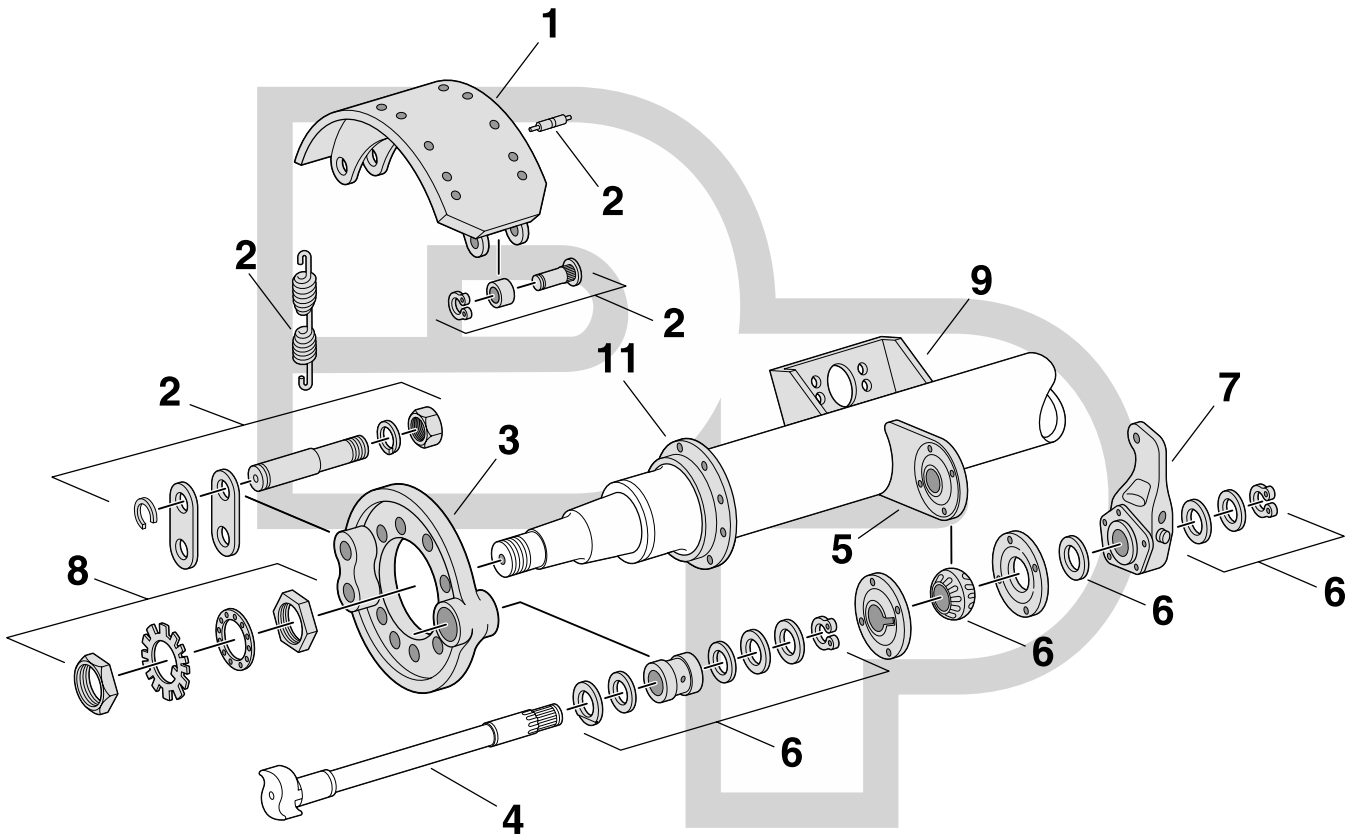


Key No.	Part Number	Description	No. Req.	Comments
1	4661FC	5" Unlined brake shoe	4	4661E brake block - 4661FC shoe available lined only
	23P4661FC	5" New lined shoe	4	23k premium grade, Marathon HS
	SB23P4661FC	New lined shoebox	2	(2) 23P4661FC shoes & (1) 08-104900 kit
	4536FC	5 1/2" Unlined brake shoe	4	4536E brake block - 4536FC shoe available lined only
	23M4536FC	5 1/2" New lined shoe	4	23k medium grade, Marathon FLOE
	SB23M4536FC	New lined shoebox	2	(2) 23M4536FC shoes & (1) 08-104900 kit
	4692FC	7 1/2" Unlined brake shoe	4	4692 brake block - 4692FC shoe available lined only
	20M4692FC	7 1/2" New lined shoe	4	20k medium grade, Marathon UB
	SB20M4692FC	New lined shoebox	2	(2) 20M4692FC shoes & (1) 08-104900 kit
	21P4692FC	7 1/2" New lined shoe	4	21k premium grade, Marathon HS20
	SB21P4692FC	New lined shoebox	2	(2) 21P4692FC shoes & (1) 08-104900 kit
	23M4692FC	7 1/2" New lined shoe	4	23k medium grade, Marathon FLOE
	SB23M4692FC	New lined shoebox	2	(2) 23M4692FC shoes & (1) 08-104900 kit
	23P4692FC	7 1/2" New lined shoe	4	23k premium grade, Marathon HS
SB23P4692FC	New lined shoebox	2	(2) 23P4692FC shoes & (1) 08-104900 kit	
2	08-104900	OE Equivalent brake kit	2	1 1/2" roller - standard return spring - 1 1/4" anchor pin holes
3	◆	Spider	2	Weld on spider not available
4	◆	Camshaft	2	1 5/8" spider journal, 1 1/2"-10 spline, MG53 cams not avail., replace w/MG54 cams & 28 spline slacks both wheel ends per axle
	Chart	Camshaft	2	1 5/8" spider journal, 1 1/2"-28 spline, see cam section 12 1/4" Dana MG54
5	03-1151	Camshaft support bracket	1	Spherical bracket w/03-2081 RH support bushing assy - May 98 & after
	03-1152	Camshaft support bracket	1	Spherical bracket w/03-2082 LH support bushing assy - May 98 & after
6	08-132900	Camshaft kit	1	Sintered metal spider bushing w/03-208 support bushing - Aug 95 to May 98
	08-132903	Camshaft kit	1	Sintered metal spider bushing w/03-2081 & 03-2082 support bushings, axle kit - May 98 & after
7	05-250	Manual slack	2	1 1/2"-10 spline, 6" curved arm - MG53 cam
	05-251	Manual slack	2	1 1/2"-28 spline, 6" curved arm - MG54 cam
	05-552	Automatic slack	2	1 1/2"-28 spline, 6" recessed arm - Crewson replacement - MG54 cam
8	—	Axle nut assembly	2	See 213 catalog
9	Chart	Air chamber bracket	2	See air chamber bracket section

# Trailer axle - FT series bolt-on spider

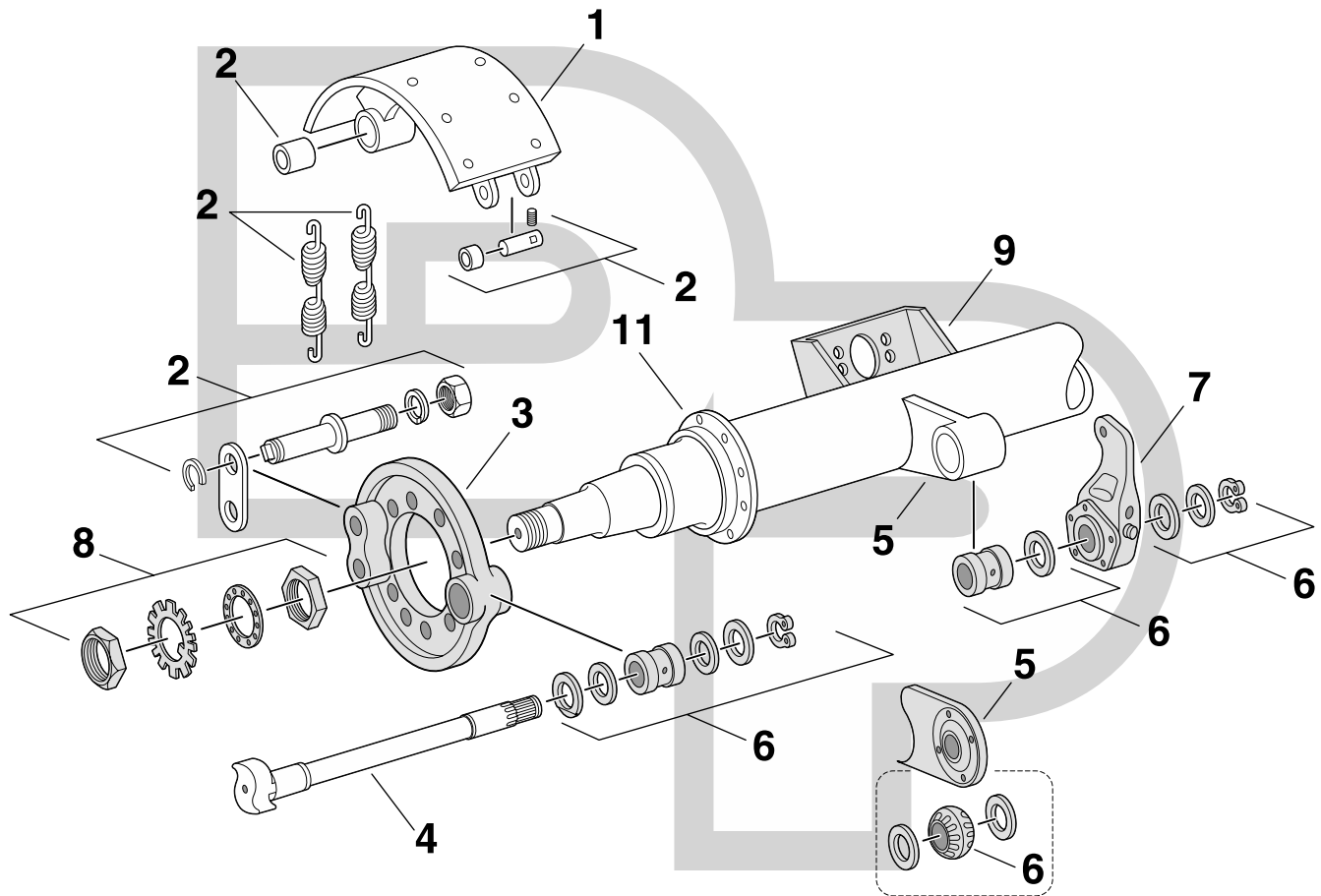
# 12 1/4" Dana

Schematics



Key No.	Part Number	Description	No. Req.	Comments
1	4536FT 23M4536FT SB23M4536FTCR 4591FT 20M4591FT SB20M4591FTCR 21P4591FT SB21P4591FTCR 23M4591FT SB23M4591FTCR	5 1/2" Unlined brake shoe 5 1/2" New lined shoe New lined shoebox 7 1/2" Unlined brake shoe 7 1/2" New lined shoe New lined shoebox 7 1/2" New lined shoe New lined shoebox 7 1/2" New lined shoe New lined shoebox 7 1/2" New lined shoe New lined shoebox	4 4 2 4 4 2 4 2 4 2 4 2	4536B brake block - 4536FT shoe available lined only 23k medium grade, Marathon FLOE (2) 23M4536FT shoes & (1) 08-107500 kit 4591 brake block - 4591FT shoe available lined only 20k medium grade, Marathon UB (2) 20M4591FT shoes & (1) 08-107500 kit 21k premium grade, Marathon HS20 (2) 21P4591FT shoes & (1) 08-107500 kit 23k medium grade, Marathon FLOE (2) 23M4591FT shoes & (1) 08-107500 kit
2	08-107500	OE Equivalent brake kit	2	1 1/2" roller - standard return spring
3	02-125	Spider	2	8 hole - 5" round axle
4	◆ Chart	Camshaft Camshaft	2 2	1 1/2" spider journal, 1 1/2"-10 spline - MG61 cams no longer available, replace w/MG63 cams both wheel ends per axle 1 1/2" spider journal, 1 1/2"-10 spline, see cam section 12 1/4" Dana MG63
5	03-115	Camshaft support bracket	2	Spherical support w/03-208 support bushing - 4 bolt retainer plate
6	08-132300 08-132310	Camshaft kit Camshaft kit	1 1	Nylon spider bushing w/03-208 support bushing - 4 bolt retainer plate Sintered metal spider bushing w/03-208 support bushing - 4 bolt retainer plate
7	05-250	Manual slack	2	1 1/2"-10 spline, 6" curved arm
8	—	Axle nut assembly	2	See 213 catalog
9	Chart	Air chamber bracket	2	See air chamber bracket section
11	◆	Axle flange	2	Not available

Schematics



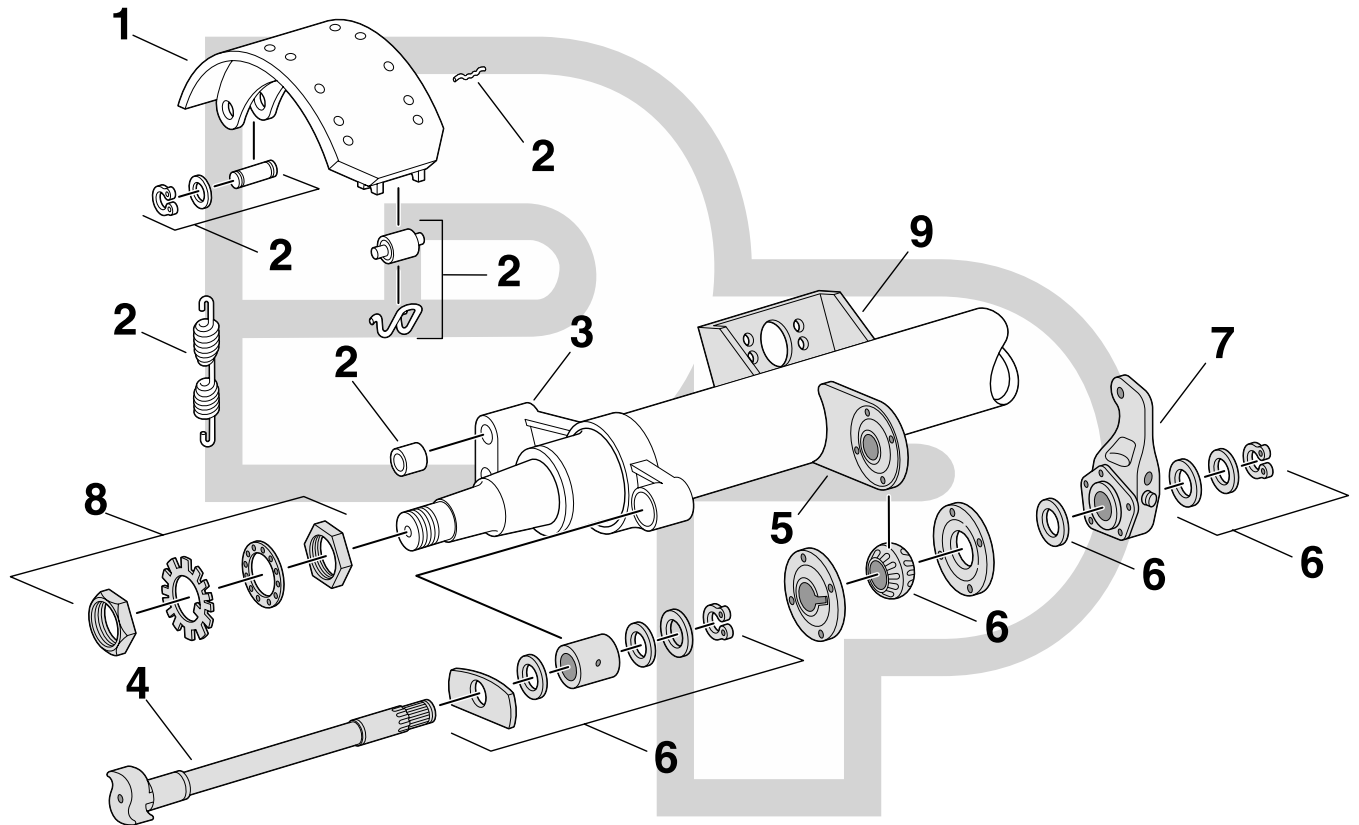
Key No.	Part Number	Description	No. Req.	Comments
1	◆	5 1/2" Unlined brake shoe	4	4544 brake block - FT cast shoe no longer available, replace w/4536FT shoes & kits w/MG63 cams both wheel ends per axle
	<b>23M4536FT</b>	5 1/2" New lined shoe	4	23k medium grade, Marathon FLOE
	<b>SB23M4536FTCR</b>	New lined shoebox	2	(2) 23M4536FT shoes & (1) 08-107500 kit
	◆	7 1/2" Unlined brake shoe	4	4607 brake block - FT cast shoe no longer available, replace w/4591FT shoes & kits w/MG63 cams both wheel ends per axle
	<b>20M4591FT</b>	7 1/2" New lined shoe	4	20k medium grade, Marathon UB
	<b>SB20M4591FTCR</b>	New lined shoebox	2	(2) 20M4591FT shoes & (1) 08-107500 kit
	<b>21P4591FT</b>	7 1/2" New lined shoe	4	21k premium grade, Marathon HS20
	<b>SB21P4591FTCR</b>	New lined shoebox	2	(2) 21P4591FT shoes & (1) 08-107500 kit
	<b>23M4591FT</b>	7 1/2" New lined shoe	4	23k medium grade, Marathon FLOE
	<b>SB23M4591FTCR</b>	New lined shoebox	2	(2) 23M4591FT shoes & (1) 08-107500 kit
2	<b>08-107500</b>	OE Equivalent brake kit	2	1 1/2" roller - standard return spring - FT shoe
3	<b>02-125</b>	Spider	2	8 hole - 5" round axle
4	◆	Camshaft	2	1 1/2" spider journal, 1 1/2"-10 spline - MG61 cams no longer available, replace w/MG63 cams both wheel ends per axle
	<b>Chart</b>	Camshaft	2	1 1/2" spider journal, 1 1/2"-10 spline, see cam section 12 1/4" Dana MG63
5	◆	Camshaft support bracket	2	Rigid support no longer available, replace w/03-115
	<b>03-115</b>	Camshaft support bracket	2	Spherical support w/03-208 support bushing - 4 bolt retainer plate
6	<b>08-134100</b>	Camshaft kit	1	Nylatron spider bushing w/rigid support bracket
	<b>08-132300</b>	Camshaft kit	1	Nylon spider bushing w/03-208 support bushing - 4 bolt retainer plate
	<b>08-132310</b>	Camshaft kit	1	Sintered metal spider bushing w/03-208 support bushing - 4 bolt retainer plate
7	<b>05-250</b>	Manual slack	2	1 1/2"-10 spline, 6" curved arm
8	—	Axle nut assembly	2	See 213 catalog
9	<b>Chart</b>	Air chamber bracket	2	See air chamber bracket section
11	◆	Axle flange	2	Not available



# Trailer axle - FT series open roller end shoe

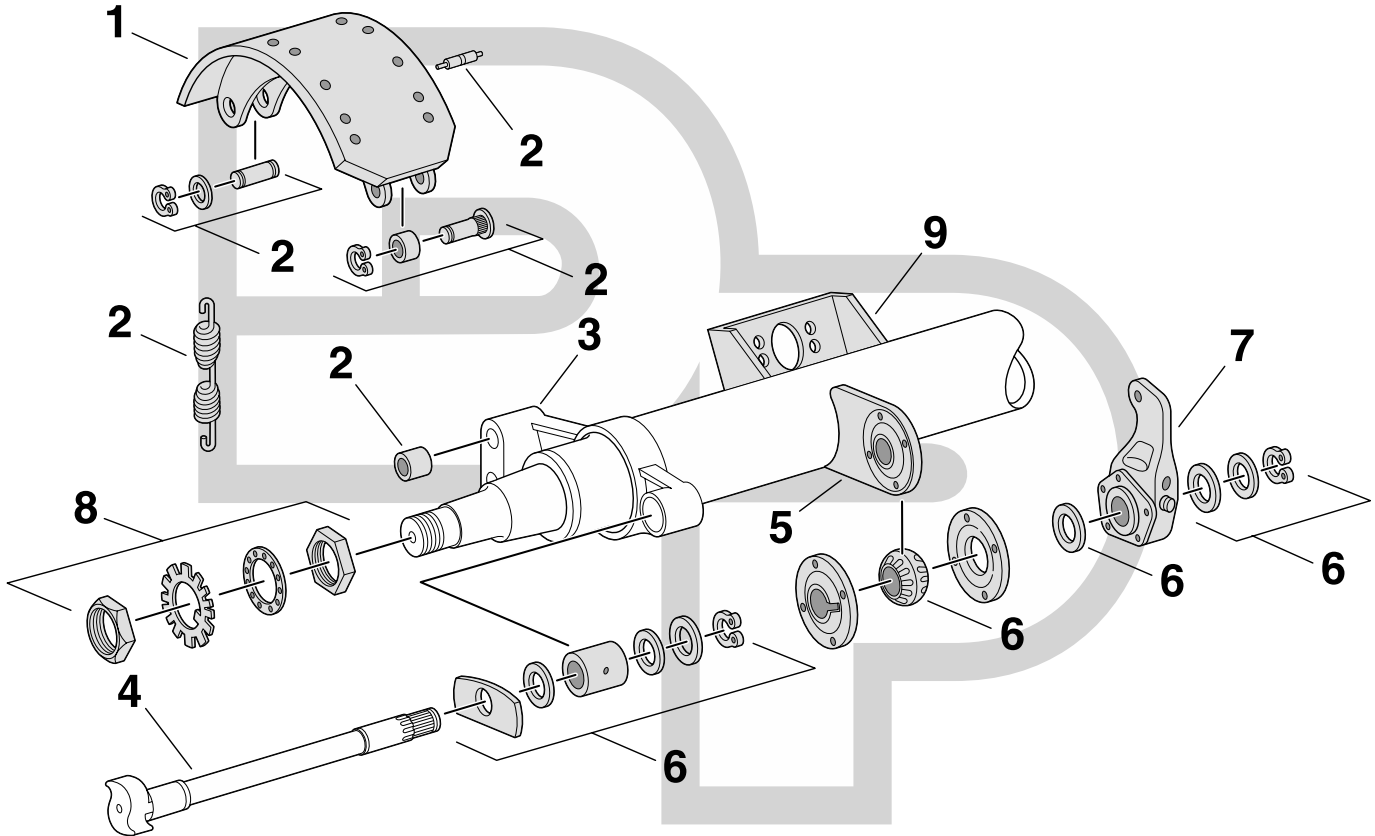
## 12 1/4" Dana

Schematics

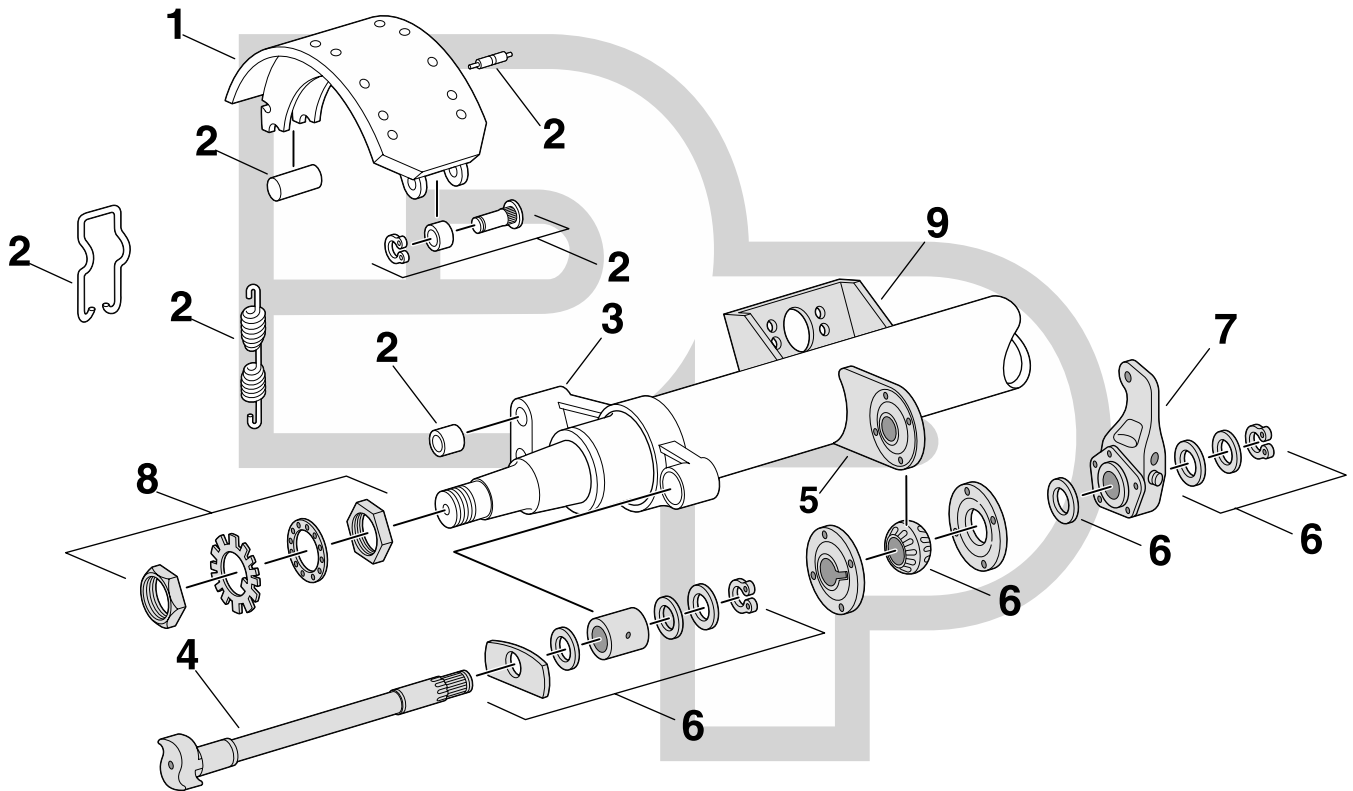


Key No.	Part Number	Description	No. Req.	Comments
1	◆	5 1/2" Unlined brake shoe	4	4536B brake block - FT open roller end shoe no longer available, replace w/4536FC shoes & kits both wheel ends per axle
	<b>23M4536FC</b>	5 1/2" New lined shoe	4	23k medium grade, Marathon FLOE
	<b>SB23M4536FCU</b>	New lined shoebox	2	(2) 23M4536FC shoes & (1) 08-105700 kit
	◆	7 1/2" Unlined brake shoe	4	4692 brake block - FT open roller end shoe no longer available, replace w/4692FC shoes & kits both wheel ends per axle
	<b>20M4692FC</b>	7 1/2" New lined shoe	4	20k medium grade, Marathon UB
	<b>SB20M4692FCU</b>	New lined shoebox	2	(2) 20M4692FC shoes & (1) 08-105700 kit
	<b>21P4692FC</b>	7 1/2" New lined shoe	4	21k premium grade, Marathon HS20
	<b>SB21P4692FCU</b>	New lined shoebox	2	(2) 21P4692FC shoes & (1) 08-105700 kit
	<b>23M4692FC</b>	7 1/2" New lined shoe	4	23k medium grade, Marathon FLOE
	<b>SB23M4692FCU</b>	New lined shoebox	2	(2) 23M4692FC shoes & (1) 08-105700 kit
<b>23P4692FC</b>	7 1/2" New lined shoe	4	23k premium grade, Marathon HS	
<b>SB23P4692FCU</b>	New lined shoebox	2	(2) 23P4591FT shoes & (1) 08-105700 kit	
2	<b>08-105700</b>	OE Equivalent brake kit	2	1 1/2" roller - standard return spring - 1" anchor pin holes - FC shoe
3	◆	Spider	2	Weld on spider not available
4	<b>Chart</b>	Camshaft	2	1 1/2" spider journal, 1 1/2"-10 spline, see cam section 12 1/4" Dana MG63
	<b>Chart</b>	Camshaft	2	1 1/2" spider journal, 1 1/2"-28 spline, see cam section 12 1/4" Dana MG64
5	<b>03-115</b>	Camshaft support bracket	2	Spherical support w/03-208 support bushing - 4 bolt retainer plate
6	<b>08-132300</b>	Camshaft kit	1	Nylon spider bushing w/03-208 support bushing - 4 bolt retainer plate
	<b>08-132310</b>	Camshaft kit	1	Sintered metal spider bushing w/03-208 support bushing - 4 bolt retainer plate
7	<b>05-250</b>	Manual slack	2	1 1/2"-10 spline, 6" curved arm - MG63 cam
	<b>05-251</b>	Manual slack	2	1 1/2"-28 spline, 6" curved arm - MG64 cam
	<b>05-552</b>	Automatic slack	2	1 1/2"-28 spline, 6" recessed arm - Crewson replacement - MG64 cam
8	—	Axle nut assembly	2	See 213 catalog
9	<b>Chart</b>	Air chamber bracket	2	See air chamber bracket section

## Schematics



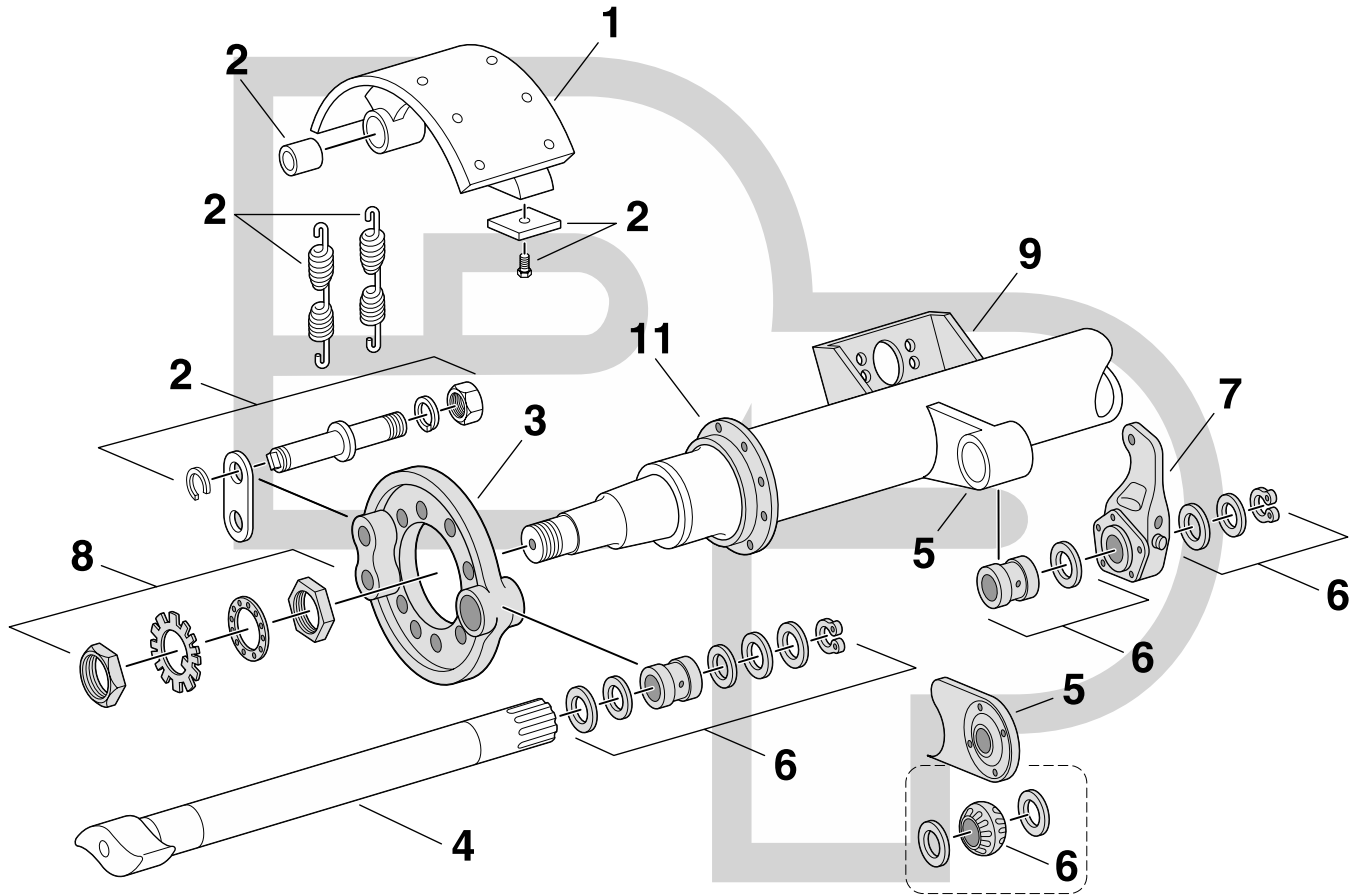
Key No.	Part Number	Description	No. Req.	Comments
1	4536FT 23M4536FT SB23M4536FT 4591FT 20M4591FT SB20M4591FT 21P4591FT SB21P4591FT 23M4591FT SB23M4591FT	5 1/2" Unlined brake shoe 5 1/2" New lined shoe New lined shoebox 7 1/2" Unlined brake shoe 7 1/2" New lined shoe New lined shoebox 7 1/2" New lined shoe New lined shoebox 7 1/2" New lined shoe New lined shoebox	4 4 2 4 4 2 4 2 4 2	4536B brake block - 4536FT shoe available lined only 23k medium grade, Marathon FLOE (2) 23M4536FT shoes & (1) 08-107400 kit 4591 brake block - 4591FT shoe available lined only 20k medium grade, Marathon UB (2) 20M4591FT shoes & (1) 08-107400 kit 21k premium grade, Marathon HS20 (2) 21P4591FT shoes & (1) 08-107400 kit 23k medium grade, Marathon FLOE (2) 23M4591FT shoes & (1) 08-107400 kit
2	08-107400	OE Equivalent brake kit	2	1 1/2" roller - standard return spring
3	◆	Spider	2	Weld on spider not available
4	◆ Chart	Camshaft Camshaft	2 2	1 1/2" spider journal, 1 1/2"-10 spline - MG61 cams no longer available, replace w/MG63 cams both wheel ends per axle 1 1/2" spider journal, 1 1/2"-10 spline, see cam section 12 1/4" Dana MG63
5	03-115	Camshaft support bracket	2	Spherical support w/03-208 support bushing - 4 bolt retainer plate
6	08-132300 08-132310	Camshaft kit Camshaft kit	1 1	Nylon spider bushing w/03-208 support bushing - 4 bolt retainer plate Sintered metal spider bushing w/03-208 support bushing - 4 bolt retainer plate
7	05-250	Manual slack	2	1 1/2"-10 spline, 6" curved arm - MG63 cam
8	—	Axle nut assembly	2	See 213 catalog
9	Chart	Air chamber bracket	2	See air chamber bracket section



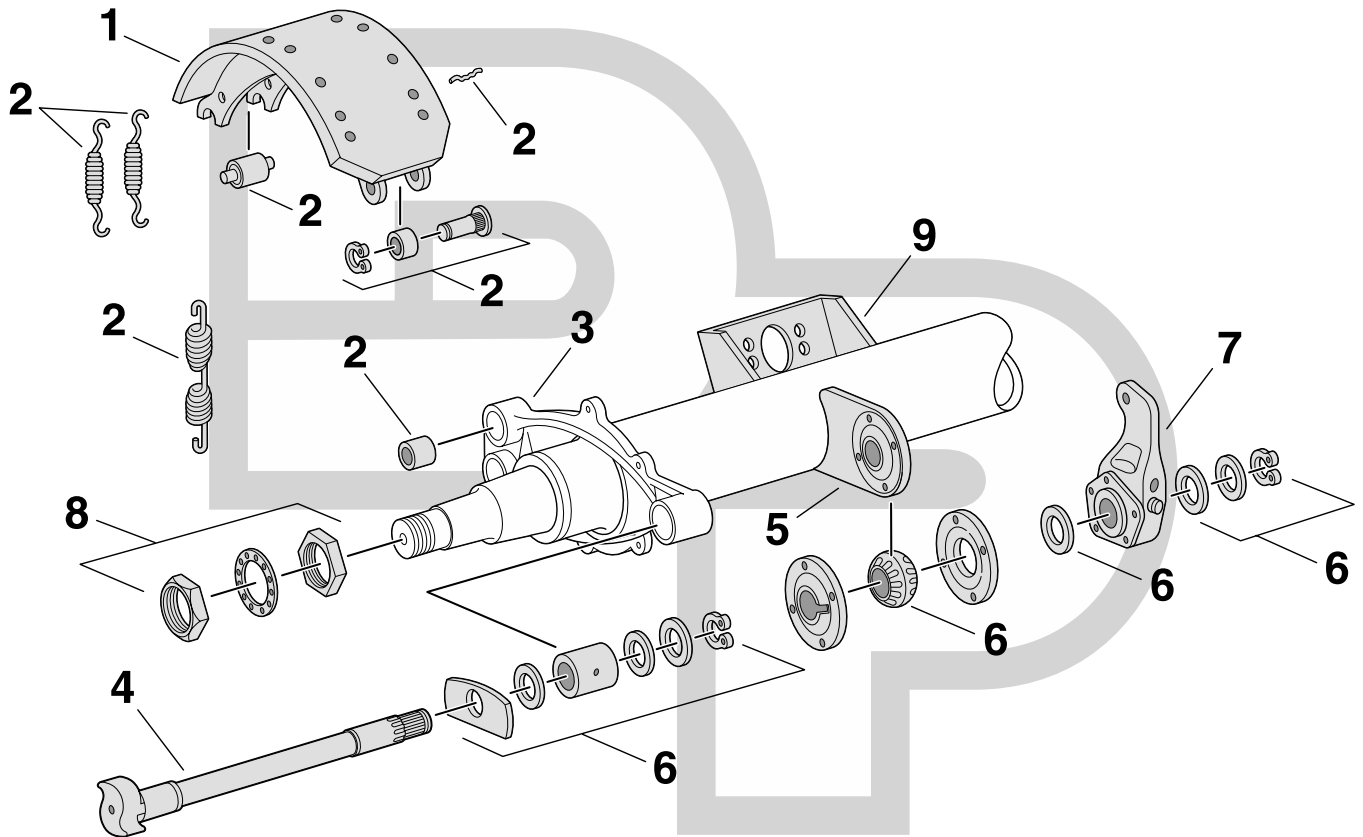
Key No.	Part Number	Description	No. Req.	Comments
1	◆	5 1/2" Unlined brake shoe	4	4536C brake block - U-Brake shoe no longer available, replace w/4536FC shoes & kits both wheel ends per axle
	<b>23M4536FC</b>	5 1/2" New lined shoe	4	23k medium grade, Marathon FLOE
	<b>SB23M4536FCU</b>	New lined shoebox	2	(2) 23M4536FC shoes & (1) 08-105700 kit
	◆	7 1/2" Unlined brake shoe	4	4692 brake block - U-Brake shoe no longer available, replace w/4692FC shoe & kits both wheel ends per axle
	<b>20M4692FC</b>	7 1/2" New lined shoe	4	20k medium grade, Marathon UB
	<b>SB20M4692FCU</b>	New lined shoebox	2	(2) 20M4692FC shoes & (1) 08-105700 kit
	<b>21P4692FC</b>	7 1/2" New lined shoe	4	21k premium grade, Marathon HS20
	<b>SB21P4692FCU</b>	New lined shoebox	2	(2) 21P4692FC shoes & (1) 08-105700 kit
	<b>23M4692FC</b>	7 1/2" New lined shoe	4	23k medium grade, Marathon FLOE
	<b>SB23M4692FCU</b>	New lined shoebox	2	(2) 23M4692FC shoes & (1) 08-105700 kit
	<b>23P4692FC</b>	7 1/2" New lined shoe	4	23k premium grade, Marathon HS
	<b>SB23P4692FCU</b>	New lined shoebox	2	(2) 23P4591FT shoes & (1) 08-105700 kit
2	<b>08-105700</b>	OE Equivalent brake kit	2	1 1/2" roller standard return spring - 1" anchor pin holes - FC shoe
3	◆	Spider	2	Weld on spider not available
4	<b>Chart</b>	Camshaft	2	1 1/2" spider journal, 1 1/2"-10 spline, see cam section 12 1/4" Dana MG63
	<b>Chart</b>	Camshaft	2	1 1/2" spider journal, 1 1/2"-28 spline, see cam section 12 1/4" Dana MG64
5	<b>03-115</b>	Camshaft support bracket	2	Spherical support w/03-208 support bushing - 4 bolt retainer plate
6	<b>08-132300</b>	Camshaft kit	1	Nylon spider bushing w/03-208 support bushing - 4 bolt retainer plate
	<b>08-132310</b>	Camshaft kit	1	Sintered metal spider bushing w/03-208 support bushing - 4 bolt retainer plate
7	<b>05-250</b>	Manual slack	2	1 1/2"-10 spline, 6" curved arm - MG63 cam
	<b>05-251</b>	Manual slack	2	1 1/2"-28 spline, 6" curved arm - MG64 cam
	<b>05-552</b>	Automatic slack	2	1 1/2"-28 spline, 6" recessed arm - Crewson replacement - MG64 cam
8	—	Axle nut assembly	2	See 213 catalog
9	<b>Chart</b>	Air chamber bracket	2	See air chamber bracket section



Schematics



Key No.	Part Number	Description	No. Req.	Comments
1	◆ 23M4536FT SB23M4536FTCR ◆ 20M4591FT SB20M4591FTCR 21P4591FT SB21P4591FTCR 23M4591FT SB23M4591FTCR	5 1/2" Unlined brake shoe 5 1/2" New lined shoe New lined shoebox 7 1/2" Unlined brake shoe 7 1/2" New lined shoe New lined shoebox 7 1/2" New lined shoe New lined shoebox 7 1/2" New lined shoe New lined shoebox 7 1/2" New lined shoe New lined shoebox	4 4 4 4 4 2 4 4 2 4 4 2	4544 brake block - Wear pad shoe no longer available, replace w/4536FT shoe & MG63 cams both wheel ends per axle 23k medium grade, Marathon FLOE (2) 23M4536FT shoes & (1) 08-107500 kit 4607 brake block - Wear pad shoe no longer available, replace w/4591FT shoes & MG63 cams both wheel ends per axle 20k medium grade, Marathon UB (2) 20M4591FT shoes & (1) 08-107500 kit 21k premium grade, Marathon HS20 (2) 21P4591FT shoes & (1) 08-107500 kit 23k medium grade, Marathon FLOE (2) 23M4591FT shoes & (1) 08-107500 kit
2	◆ 08-107500	OE Equivalent brake kit OE Equivalent brake kit	2 2	Wear pad kit no longer available 1 1/2" roller - standard return spring - FT shoe
3	02-125	Spider	2	8 hole - 5" round axle
4	◆ Chart	Camshaft Camshaft	2 2	1 1/2" spider journal, 1 1/2"-10 spline - MG65 cams no longer available, replace w/MG63 cams both wheel ends per axle 1 1/2" spider journal, 1 1/2"-10 spline, see cam section 12 1/4" Dana MG63
5	◆ 03-115	Camshaft support bracket Camshaft support bracket	2 2	Rigid support no longer available, replace w/03-115 Spherical support w/03-208 support bushing - 4 bolt retainer plate
6	◆ 08-134100	Camshaft kit Camshaft kit	1 1	Rigid support - flat head cam kit no longer available, replace w/08-134100 Nylatron spider bushing w/rigid support bracket - MG63 cam
7	05-250	Manual slack	2	1 1/2"-10 spline, 6" curved arm
8	—	Axle nut assembly	2	See 213 catalog
9	Chart	Air chamber bracket	2	See air chamber bracket section
11	◆	Axle flange	2	Not available

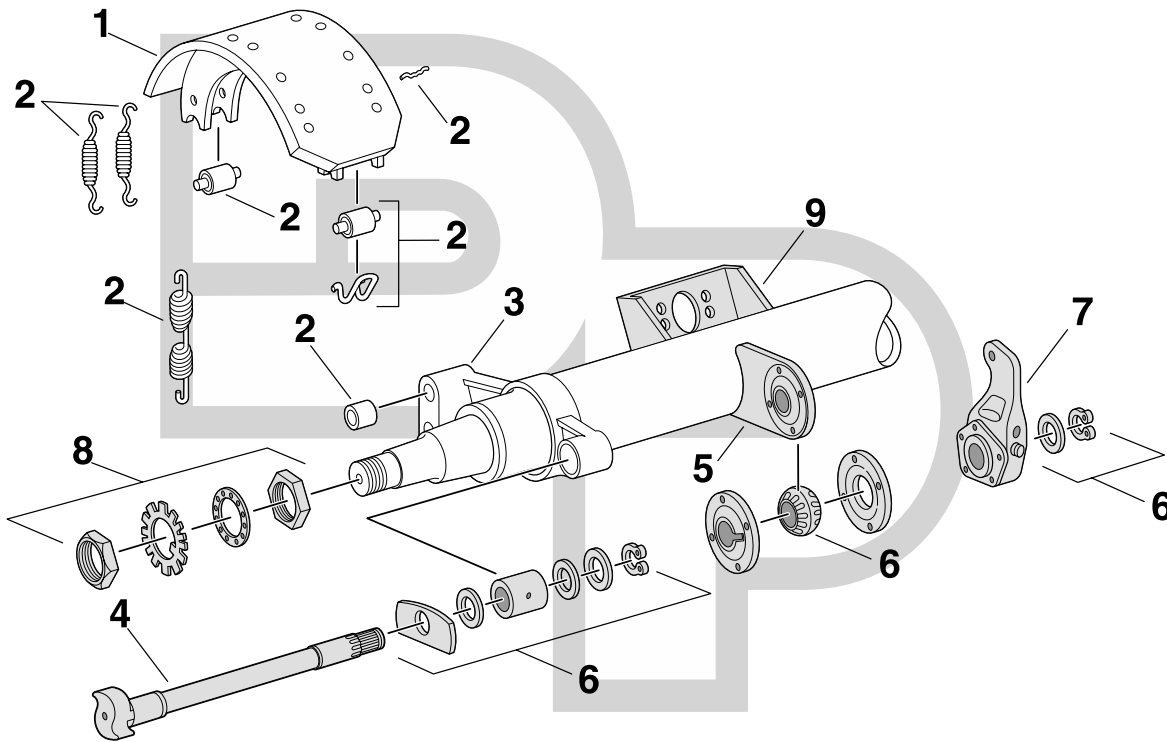


Key No.	Part Number	Description	No. Req.	Comments
1	4700PQ	4" Unlined brake shoe	4	4700 brake block - 4700PQ shoe available lined only
	23M4700PQ	4" New lined shoe	4	23k medium grade, Marathon FLOE
	SB23M4700PQ	New lined shoebox	2	(2) 23M4700PQ shoes & (1) 08-104700 kit
	4661PQ	5" Unlined brake shoe	4	4661C brake block - 4661PQ shoe available lined only
	23P4661PQ	5" New lined shoe	4	23k premium grade, Marathon HS
	SB23P4661PQ	New lined shoebox	2	(2) 23P4661PQ shoes & (1) 08-104700 kit
	4591PQ	7 1/2" Unlined brake shoe	4	4591 brake block - PQ shoe available lined only
	20M4591PQ	7 1/2" New lined shoe	4	20k medium grade, Marathon UB
	SB20M4591PQ	New lined shoebox	2	(2) 20M4591PQ shoes & (1) 08-104700 kit
	21P4591PQ	7 1/2" New lined shoe	4	21k premium grade, Marathon HS20
	SB21P4591PQ	New lined shoebox	2	(2) 21P4591PQ shoes & (1) 08-104700 kit
	23M4591PQ	7 1/2" New lined shoe	4	23k medium grade, Marathon FLOE
	SB23M4591PQ	New lined shoebox	2	(2) 23M4591PQ shoes & (1) 08-104700 kit
	23P4591PQ	7 1/2" New lined shoe	4	23k premium grade, Marathon HS
SB23P4591PQ	New lined shoebox	2	(2) 23P4591PQ shoes & (1) 08-104700 kit	
2	08-104700	OE Equivalent brake kit	2	1 1/2" roller - standard return spring
3	◆	Spider	2	Weld on spider not available
4	Chart	Camshaft	2	1 1/2" spider journal, 1 1/2"-28 spline, see cam section 12 1/4" Dexter MG67
5	03-115	Camshaft support bracket	2	Spherical support w/03-208 support bushing - 4 bolt retainer plate
6	08-132300	Camshaft kit	1	Nylon spider bushing w/03-208 support bushing - 4 bolt retainer plate
	08-132310	Camshaft kit	1	Sintered metal spider bushing w/03-208 support bushing - 4 bolt retainer plate
7	05-251	Manual slack	2	1 1/2"-28 spline, 6" curved arm
	05-552	Automatic slack	2	1 1/2"-28 spline, 6" recessed arm - Crewson replacement
8	—	Axle nut assembly	2	See 213 catalog
9	Chart	Air chamber bracket	2	See air chamber bracket section

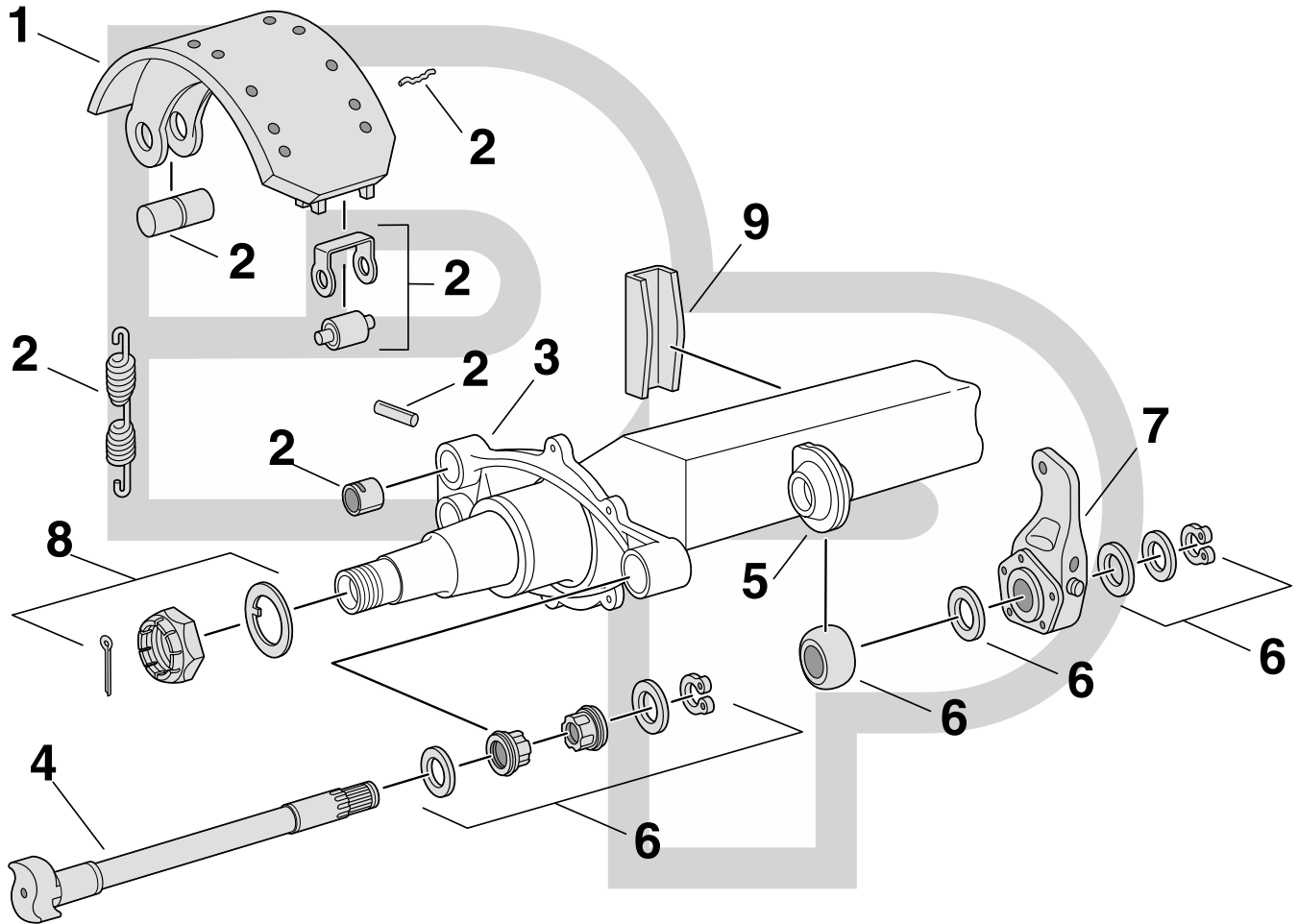
# 12 1/4" Dexter

# Trailer axle - QM series

Schematics

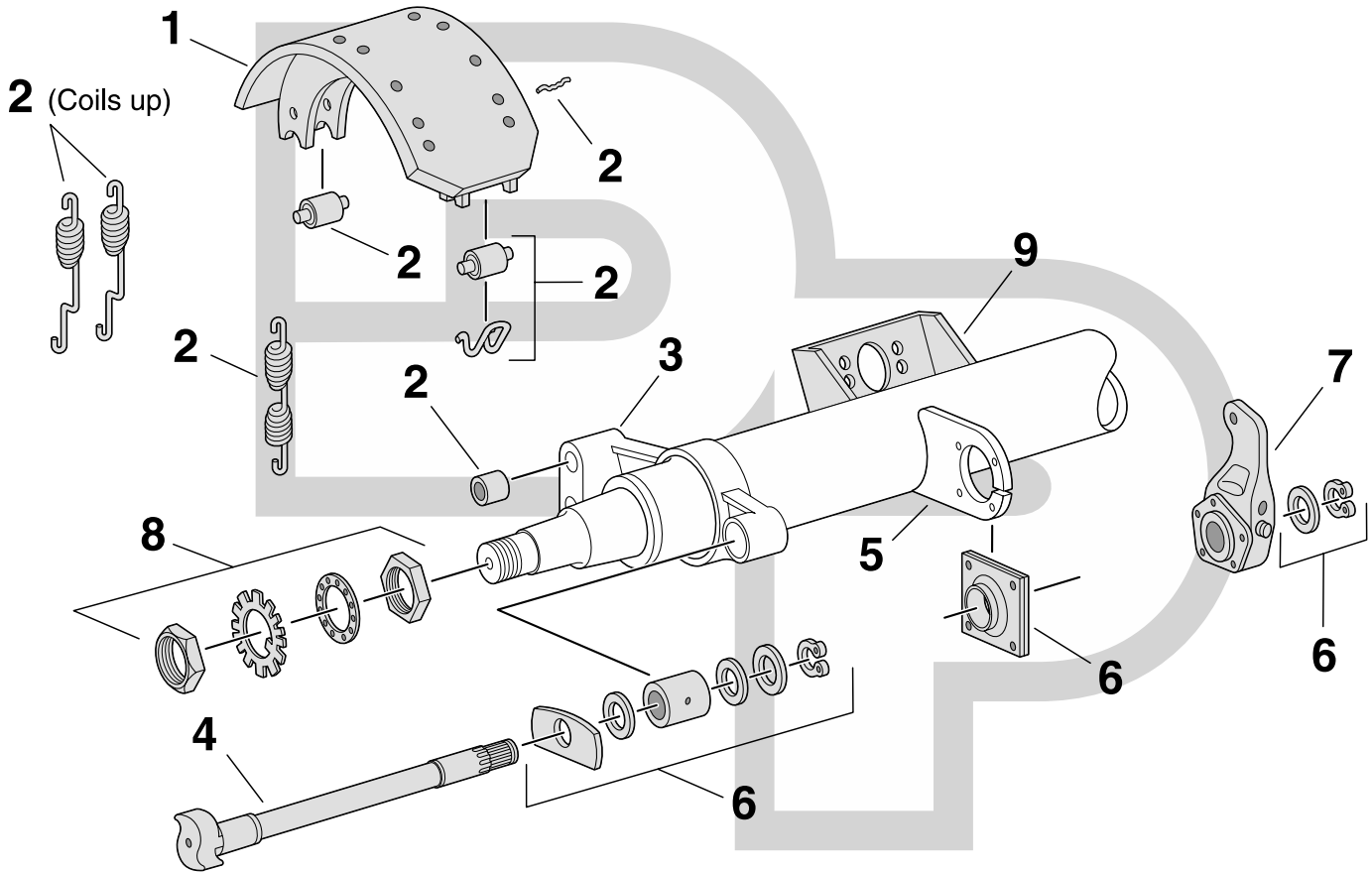


Key No.	Part Number	Description	No. Req.	Comments
1	◆	4" Unlined brake shoe	4	4700 brake block - QM shoe no longer available, replace w/4700PQ shoes & kits both wheel ends per axle
	23M4700PQ	4" New lined shoe	4	23k medium grade, Marathon FLOE
	SB23M4700PQ	New lined shoebox	2	(2) 23M4700PQ shoes & (1) 08-104700 kit
	◆	5" Unlined brake shoe	4	4661C brake block - QM shoe no longer available, replace w/4661PQ shoe & kits both wheel ends per axle
	23P4661PQ	5" New lined shoe	4	23k premium grade, Marathon HS
	SB23P4661PQ	New lined shoebox	2	(2) 23P4661PQ shoes & (1) 08-104700 kit
	◆	5 1/2" Unlined brake shoe	4	4536B brake block - QM shoe no longer available, replace w/4661PQ shoe & kits both wheel ends per axle
	23P4661PQ	5" New lined shoe	4	23k premium grade, Marathon HS
	SB23P4661PQ	New lined shoebox	2	(2) 23P4661PQ shoes & (1) 08-104700 kit
	◆	7 1/2" Unlined brake shoe	4	4591 brake block - QM shoe no longer available, replace w/4591PQ shoe & kits both wheel ends per axle
	20M4591PQ	7 1/2" New lined shoe	4	20k medium grade, Marathon UB
	SB20M4591PQ	New lined shoebox	2	(2) 20M4591PQ shoes & (1) 08-104700 kit
	21P4591PQ	7 1/2" New lined shoe	4	21k premium grade, Marathon HS20
	SB21P4591PQ	New lined shoebox	2	(2) 21P4591PQ shoes & (1) 08-104700 kit
	23M4591PQ	7 1/2" New lined shoe	4	23k medium grade, Marathon FLOE
	SB23M4591PQ	New lined shoebox	2	(2) 23M4591PQ shoes & (1) 08-104700 kit
	23P4591PQ	7 1/2" New lined shoe	4	23k premium grade, Marathon HS
	SB23P4591PQ	New lined shoebox	2	(2) 23P4591PQ shoes & (1) 08-104700 kit
2	08-104700	OE Equivalent brake kit	2	1 1/2" roller - standard return spring - PQ shoe
3	◆	Spider	2	Weld on spider not available
4	Chart	Camshaft	2	1 1/2" spider journal, 1 1/2"-28 spline, see cam section 12 1/4" Dexter MG67
5	03-115	Camshaft support bracket	2	Spherical support w/03-208 support bushing - 4 bolt retainer plate
6	08-132300	Camshaft kit	1	Nylon spider bushing w/03-208 support bushing - 4 bolt retainer plate
	08-132310	Camshaft kit	1	Sintered metal spider bushing w/03-208 support bushing - 4 bolt retainer plate
7	05-251	Manual slack	2	1 1/2"-28 spline, 6" curved arm
	05-552	Automatic slack	2	1 1/2"-28 spline, 6" recessed arm - Crewson replacement
8	—	Axle nut assembly	2	See 213 catalog
9	Chart	Air chamber bracket	2	See air chamber bracket section



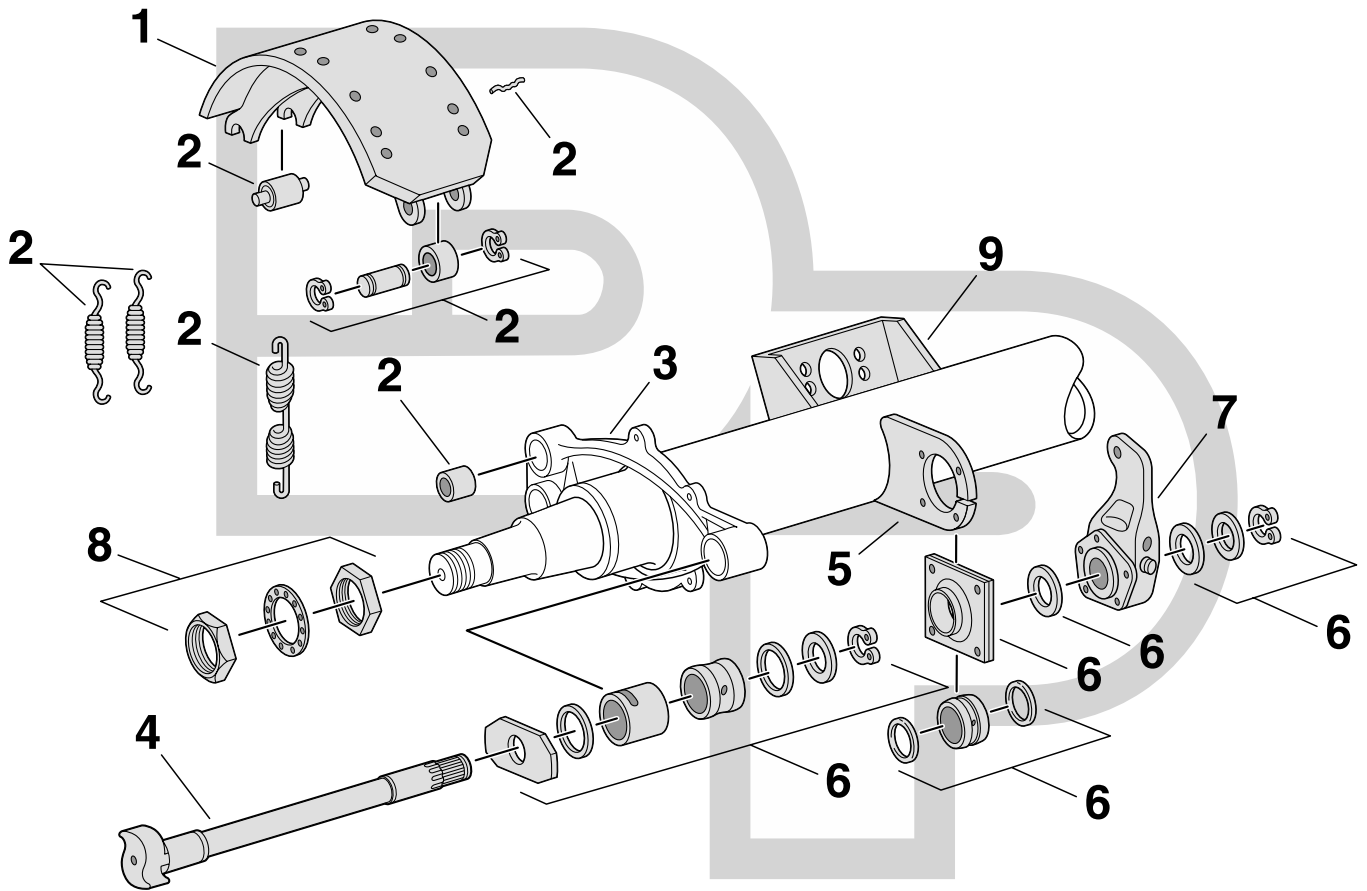
Key No.	Part Number	Description	No. Req.	Comments
1	4649F	8" Unlined brake shoe	4	4649 brake block - 4649F shoe available lined only
	23P4649F	8" New lined shoe	4	23k premium grade, Marathon HS
	SB23P4649F	New lined shoebox	2	(2) 23P4649F shoes & (1) 08-107700 kit
2	08-107700	OE Equivalent brake kit	2	1" roller - standard return spring
3	◆	Spider	2	Weld on spider not available
4	Chart	Camshaft	2	1 5/8" spider journal, 1 5/8"-37 spline, see cam section 12 1/4" Fruehauf MG83
5	◆	Camshaft support bracket	2	Original twist-in design no longer available, replace w/03-271A
	03-271A	Camshaft support bracket	2	Late style bracket w/03-207 support bushing
6	08-133110	Camshaft kit	1	Sintered metal spider bushing w/03-207 support bushing
7	05-241	Manual slack	2	1 5/8"-37 spline, 5 1/2" straight arm
	05-565	Automatic slack	2	1 5/8"-37 spline, 5 1/2" straight arm - Crewson replacement
	05-240	Manual slack	2	1 5/8"-37 spline, 6" straight arm
	05-564	Automatic slack	2	1 5/8"-37 spline, 6" straight arm - Crewson replacement
8	—	Axle nut assembly	2	See 213 catalog
9	Chart	Air chamber bracket	2	See air chamber bracket section

Schematics



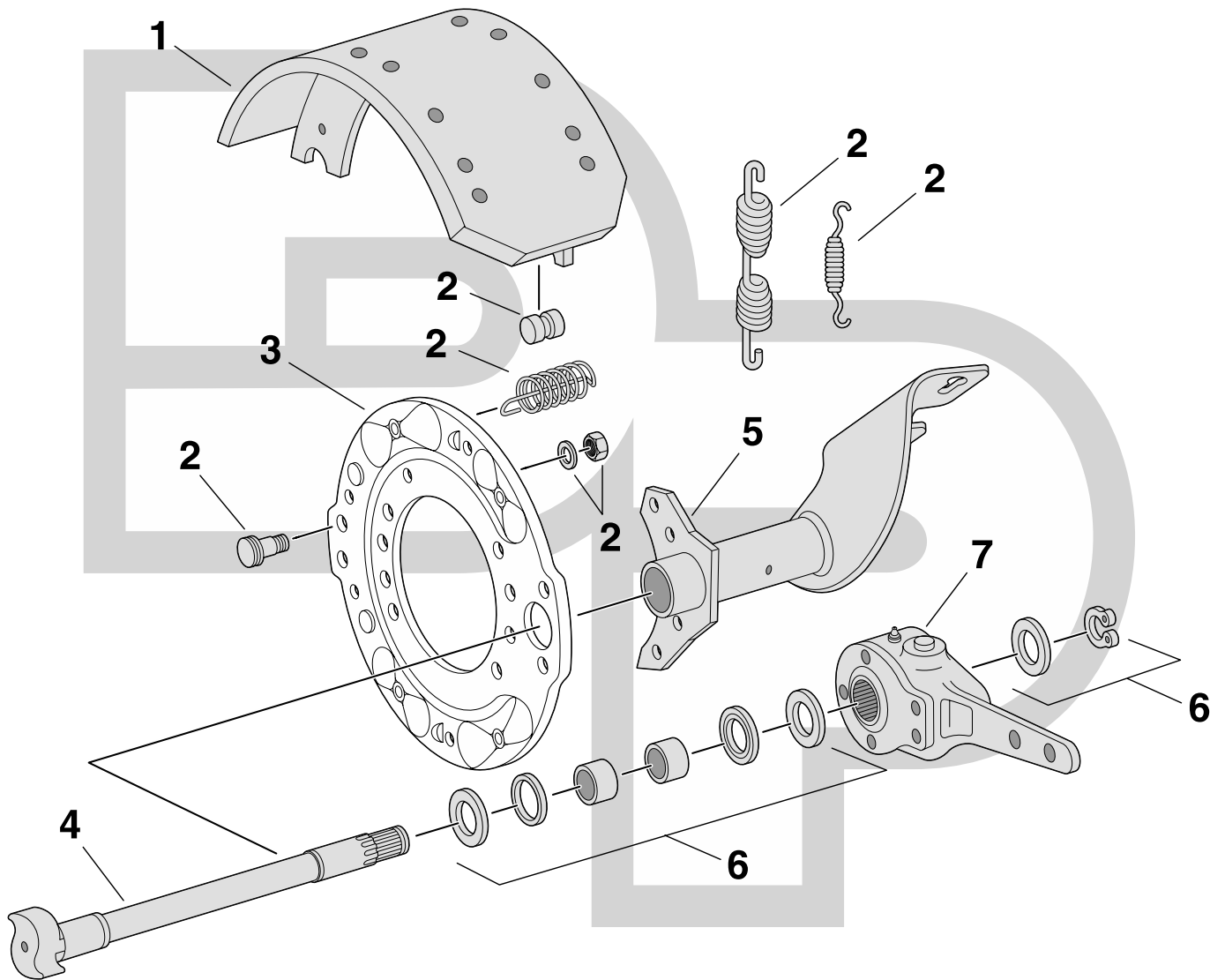
Key No.	Part Number	Description	No. Req.	Comments
1	4692HXS SB20M4692HXS	7 1/2" New lined shoe New lined shoebox	4 2	4692 brake block - 4692HXS shoe available in shoebox only (2) 20M4692HXS shoes & (1) 08-105900 kit
2	08-105900	OE Equivalent brake kit	2	1 1/2" roller - standard return spring
3	◆	Spider	2	Not available
4	Chart	Camshaft	2	1 5/8" spider journal, 1 1/2"-28 spline, see camshaft section 12 1/4 Hendrickson MG52
5	◆	Camshaft support bracket	2	Not available
6	08-130403	Camshaft kit	1	Sintered metal spider bushing w/03-2151 & 03-2152 support bushings
7	05-552	Automatic slack	2	1 1/2"-28 spline, 6" recessed arm - Crewson replacement
8	—	Axle nut assembly	2	See 213 catalog
9	Chart	Air chamber bracket	2	See air chamber bracket section



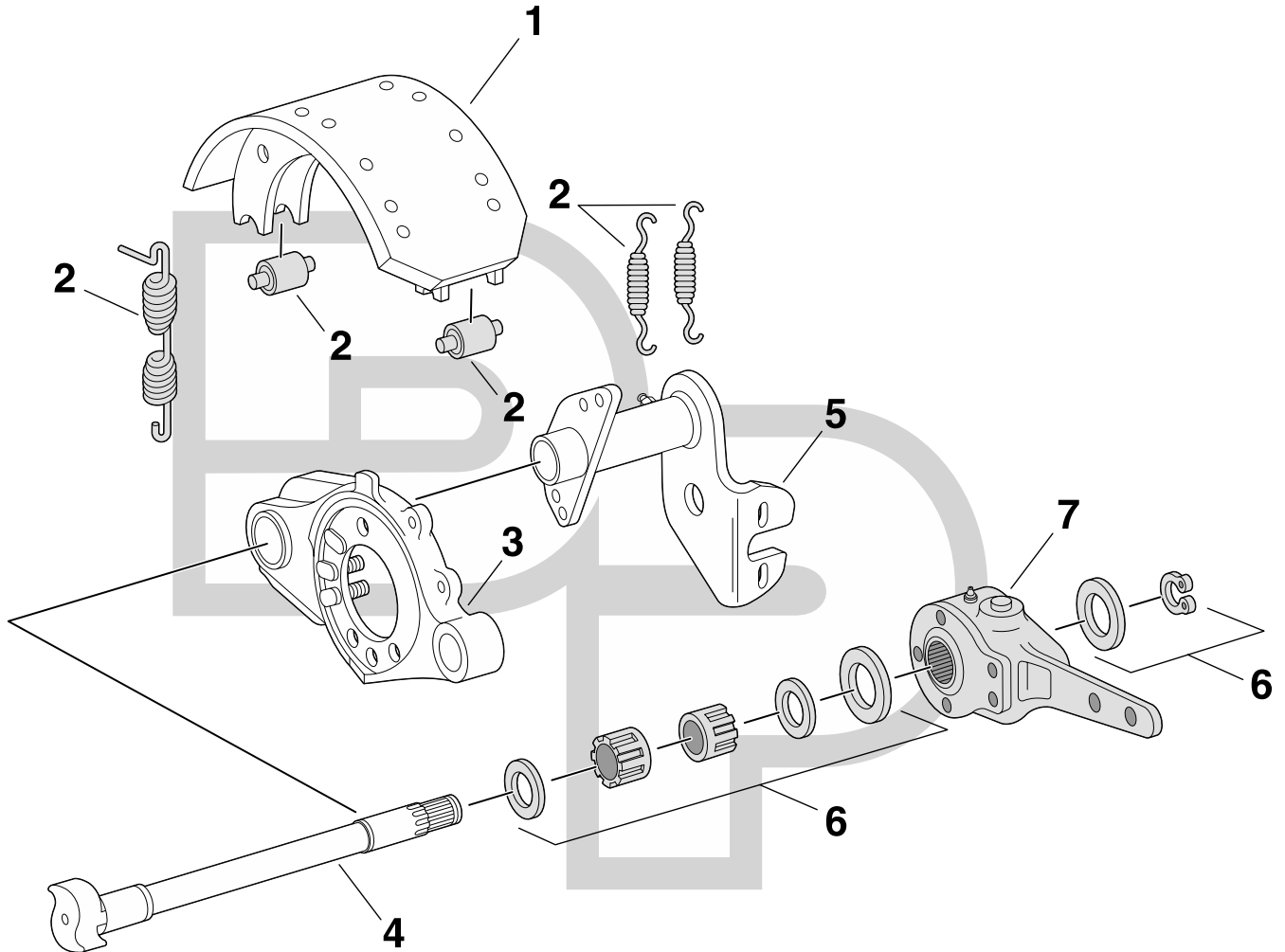


Key No.	Part Number	Description	No. Req.	Comments
1	4670Q 21P4670Q SB21P4670Q 23P4670Q SB23P4670Q	7 1/2" Unlined brake shoe 7 1/2" New lined shoe New lined shoebox 7 1/2" New lined shoe New lined shoebox	4 4 2 4 2	4670 brake block - Q shoe available lined only 21k premium grade, Marathon HS20 (2) 21P4670Q shoes & (1) 08-109300 kit 23k premium grade, Marathon HS (2) 23P4670Q shoes & (1) 08-109300 kit
2	08-109300	OE Equivalent brake kit	2	1 1/2" roller - standard return spring
3	◆	Spider	2	Not available
4	Chart	Camshaft	2	1 5/8" spider journal, 1 1/2"-28 spline, see cam section 12 1/4" Rockwell MG95
5	03-130 03-132	Camshaft support bracket Camshaft support bracket	2 2	03-209 support bushing - zerk screws into bushing 03-2091 support bushing - zerk screws into retainer plate
6	08-130601 08-130605 08-130621 08-130625	Camshaft kit Camshaft kit Camshaft kit Camshaft kit	1 1 1 1	Fiberfil spider bushing w/03-209 support bushing - zerk screws into bushing Fiberfil spider bushing w/03-2091 support bushing - zerk screws into retainer plate Sintered metal spider bushing w/03-209 support bushing - zerk screws into bushing Sintered metal spider bushing w/03-2091 support bushing - zerk screws into retainer plate
7	05-251 05-552	Manual slack Automatic slack	2 2	1 1/2"-28 spline, 6" curved arm 1 1/2"-28 spline, 6" recessed arm - Crewson replacement
8	—	Axle nut assembly	2	See 213 catalog
9	Chart	Air chamber bracket	2	See air chamber bracket section

## Schematics

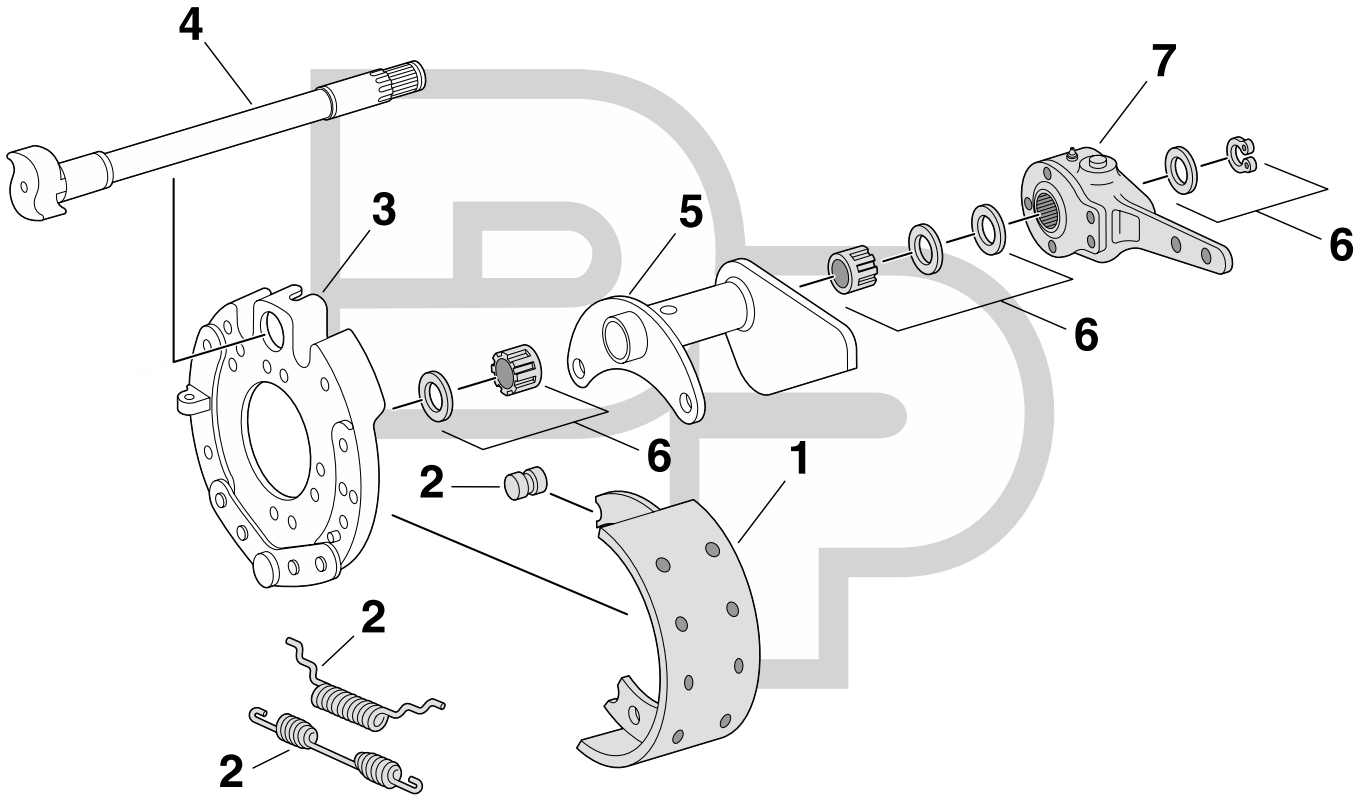


Key No.	Part Number	Description	No. Req.	Comments
1	6042SL	4" New lined shoe	4	6042SL shoe available lined only
	20M6042SL	4" New lined shoe	4	OE friction material
	SB20M6042SL	New lined shoebox	2	(2) 20M6042SL shoes & (1) 08-105600 kit
2	08-105600	OE Equivalent brake kit	2	1 1/4" roller - standard return spring
3	◆	Backing plate	2	Not available
4	SP	Camshaft	2	Special order part
5	SP	Camshaft support tube	2	Special order part
6	08-136500	Camshaft kit	2	Nylon spider bushing
7	SP	Slack adjuster	2	Special order part



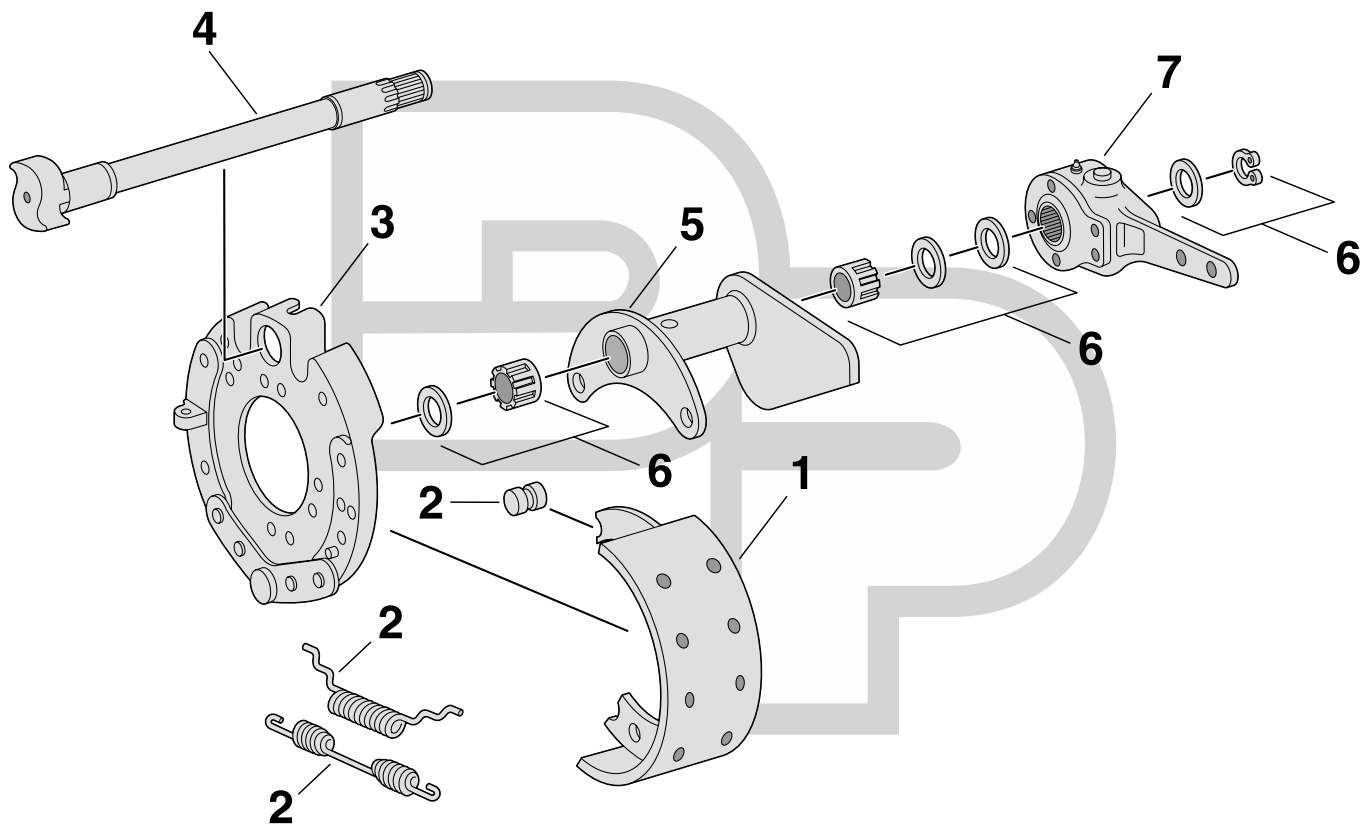
Key No.	Part Number	Description	No. Req.	Comments
1	◆	4" Unlined brake shoe	4	4693 brake lining - HA shoe no longer available
2	08-116600	OE Equivalent brake kit	2	1 1/2" roller - standard return spring
3	◆	Spider	2	Not available
4	◆	Camshaft	2	1 1/2" spider journal, 1 1/2"-10 spline - cams not available
5	◆	Camshaft support tube	2	Not available
6	08-138100	Camshaft kit	1	Nylatron bushings
7	05-201	Manual slack	2	1 1/2"-10 spline, 5 1/2" straight arm
	05-461	Automatic slack	2	1 1/2"-10 spline, 5 1/2" straight arm - Bendix replacement
	05-561	Automatic slack	2	1 1/2"-10 spline, 5 1/2" straight arm - Crewson replacement
	05-761	Automatic slack	2	1 1/2"-10 spline, 5 1/2" straight arm - Gunite replacement
	05-361	Automatic slack	2	1 1/2"-10 spline, 5 1/2" straight arm - Meritor replacement
8	—	Axle nut assembly	2	See 213 catalog, Not Shown

Schematics



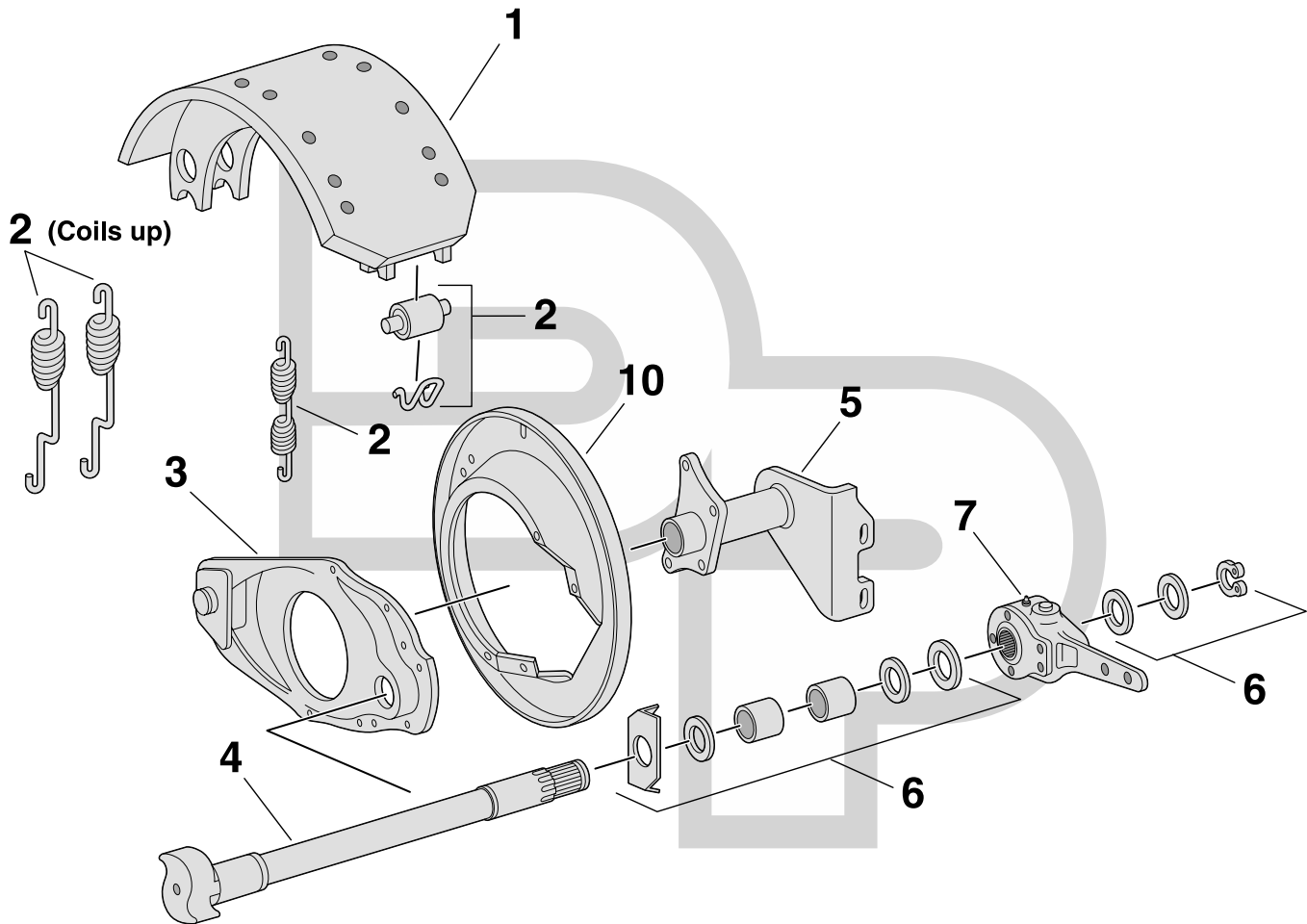
Key No.	Part Number	Description	No. Req.	Comments
1	1308E 20E1308E SB20E1308E 20M1308E SB20M1308E 21P1308E SB21P1308E 23M1308E SB23M1308E	4" Unlined brake shoe 4" New lined shoe New lined shoebox 4" New lined shoe New lined shoebox 4" New lined shoe New lined shoebox 4" New lined shoe New lined shoebox 4" New lined shoe New lined shoebox	4 4 2 4 2 4 2 4 2 4 2	1308TT brake lining - 1308E shoe available lined only 20k economy grade, Marathon MV20 (2) 20E1308E shoes & (1) 1308E00 kit 20k medium grade, Marathon UB (2) 20M1308E shoes & (1) 1308E00 kit 21k premium grade, Marathon HS20 (2) 21P1308E shoes & (1) 1308E00 kit 23k medium grade, Marathon FLOE (2) 23M1308E shoes & (1) 1308E00 kit
2	08-111300 1308E00	OE Equivalent brake kit Cost-Plus brake kit	2 2	1 1/4" roller - standard return spring 1 1/4" roller - standard return spring
3	◆	Spider	2	Not available
4	Chart	Camshaft	2	1 1/4" spider journal, 1 1/4"-10 spline, MG15 cams no longer available, replace w/MG16 cams both wheel ends per axle
5	◆	Camshaft support tube	2	Not available
6	08-137500	Camshaft kit	1	Nylatron bushings
7	05-232 05-233 05-214 05-570 05-770 05-370	Manual slack Manual slack Manual slack Automatic slack Automatic slack Automatic slack	2 2 2 2 2 2	1 1/4"-10 spline, 5 1/2" offset arm - 5/8" RH 1 1/4"-10 spline, 5 1/2" offset arm - 5/8" LH 1 1/4"-10 spline, 5 1/2" straight arm 1 1/4"-10 spline, 5 1/2" straight arm - Crewson replacement 1 1/4"-10 spline, 5 1/2" straight arm - Gunite replacement 1 1/4"-10 spline, 5 1/2" straight arm - Meritor replacement
8	—	Axle nut assembly	2	See 213 catalog, Not Shown





Key No.	Part Number	Description	No. Req.	Comments
1	1443ES	4" Unlined brake shoe	4	1443TT brake lining - 1443ES shoe available lined only
	20E1443ES	4" New lined shoe	4	20k economy grade, Marathon MV20
	SB20E1443ES	New lined shoebox	2	(2) 20E1443ES shoes & (1) 1308E00 kit
	20M1443ES	4" New lined shoe	4	20k medium grade, Marathon UB
	SB20M1443ES	New lined shoebox	2	(2) 20M1443ES shoes & (1) 1308E00 kit
	21P1443ES	4" New lined shoe	4	21k premium grade, Marathon HS20
	SB21P1443ES	New lined shoebox	2	(2) 21P1443ES shoes & (1) 1308E00 kit
	23M1443ES	4" New lined shoe	4	23k medium grade, Marathon FLOE
	SB23M1443ES	New lined shoebox	2	(2) 23M1443ES shoes & (1) 1308E00 kit
	23DS1443ES	4" New lined shoe	4	23k standard grade, Dayton Parts DS23
	SB23DS1443ES	New lined shoebox	2	(2) 23DS1443ES shoes & (1) 1308E00 kit
	23DP1443ES	4" New lined shoe	4	23k premium grade, Dayton Parts DP23
	SB23DP1443ES	New lined shoebox	2	(2) 23DP1443ES shoes & (1) 1308E00 kit
2	08-111300	OE Equivalent brake kit	2	1 1/4" roller - standard return spring
	1308E00	Cost-Plus brake kit	2	1 1/4" roller - standard return spring
3	SP	Spider	2	Special order part
4	Chart	Camshaft	2	1 1/4" spider journal, 1 1/4"-10 spline, see cam section 15" Eaton MG16
5	SP	Camshaft support tube	2	Special order part
6	08-137500	Camshaft kit	1	Nylatron bushings
7	05-232	Manual slack	2	1 1/4"-10 spline, 5 1/2" offset arm - 5/8" RH
	05-233	Manual slack	2	1 1/4"-10 spline, 5 1/2" offset arm - 5/8" LH
	05-214	Manual slack	2	1 1/4"-10 spline, 5 1/2" straight arm
	05-570	Automatic slack	2	1 1/4"-10 spline, 5 1/2" straight arm - Crewson replacement
	05-770	Automatic slack	2	1 1/4"-10 spline, 5 1/2" straight arm - Gunite replacement
	05-370	Automatic slack	2	1 1/4"-10 spline, 5 1/2" straight arm - Meritor replacement
8	—	Axle nut assembly	2	See 213 catalog, Not Shown

## Schematics

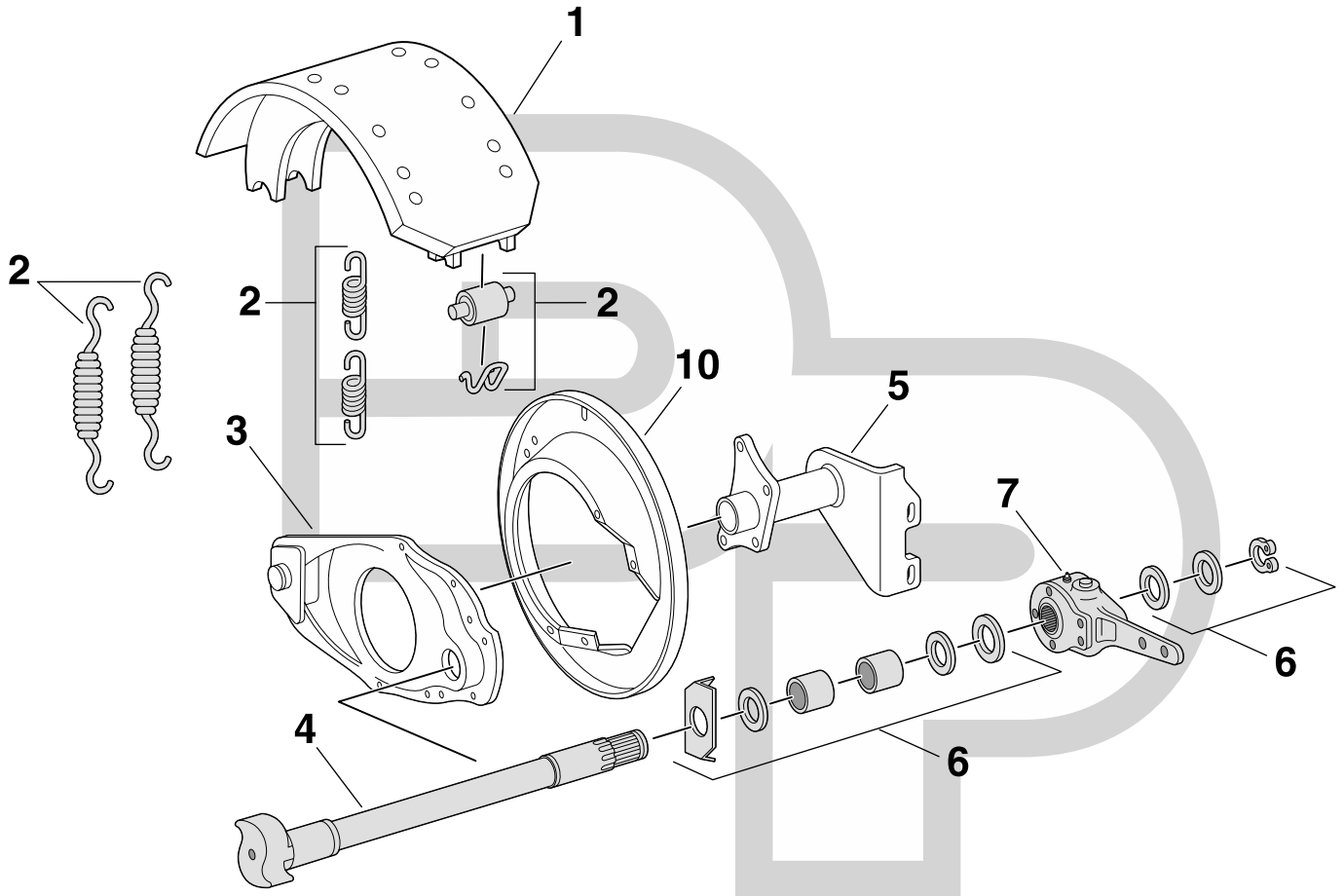


Key No.	Part Number	Description	No. Req.	Comments
1	4729E2	4" Unlined brake shoe	4	4729 brake block - 4729E2 shoe available lined only
	21P4729E2	4" New lined shoe	4	21k premium grade, Marathon HS20
	SB21P4729E2	New lined shoebox	2	(2) 21P4729E2 shoes & (1) 470902 kit
	23M4729E2	4" New lined shoe	4	23k medium grade, Marathon FLOE
	SB23M4729E2	New lined shoebox	2	(2) 23M4729E2 shoes & (1) 470902 kit
2	08-114700	OE Equivalent brake kit	2	1 1/4" roller - standard return spring
	472902	Cost-Plus brake kit	2	1 1/4" roller - standard return spring
3	SP	Spider	2	Special order part
4	SP	Camshaft	2	1 1/2" spider journal, 1 1/2"-10 spline, special order part
5	SP	Camshaft support tube	2	Special order part
6	08-135101	Camshaft kit	1	Nylatron spider bushing
	08-135111	Camshaft kit	1	Sintered metal spider bushing
7	05-214	Manual slack	2	1 1/4"-10 spline, 5 1/2" straight arm
	05-570	Automatic slack	2	1 1/4"-10 spline, 5 1/2" straight arm - Crewson replacement
	05-770	Automatic slack	2	1 1/4"-10 spline, 5 1/2" straight arm - Gunite replacement
	05-370	Automatic slack	2	1 1/4"-10 spline, 5 1/2" straight arm - Meritor replacement
8	—	Axle nut assembly	2	See 213 catalog, Not Shown
10	SP	Dust shield	2	Special order part

# Steer axle - ES-II series reduced envelope

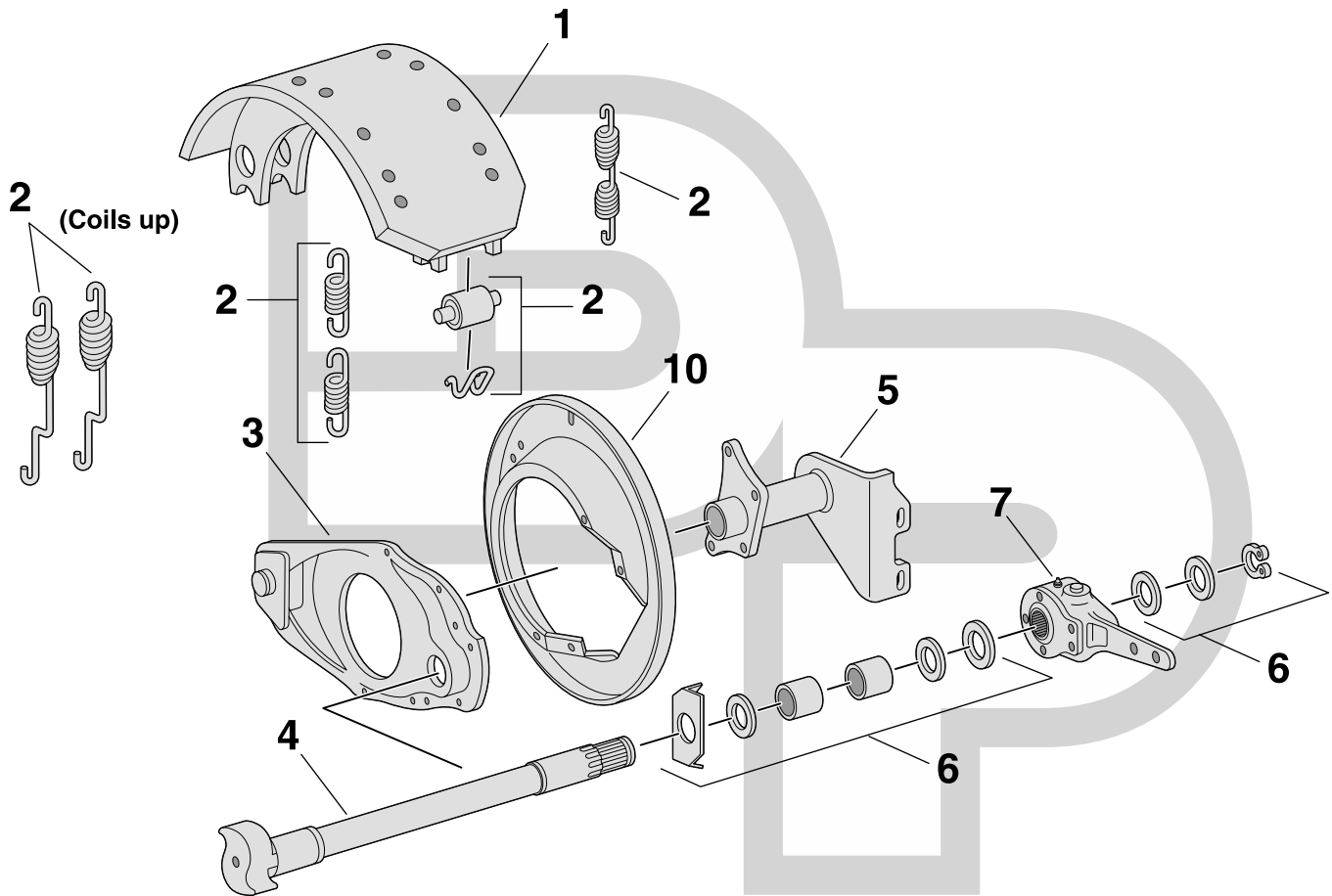
# 15" Eaton

Schematics



Key No.	Part Number	Description	No. Req.	Comments
1	◆	6" Unlined brake shoe	4	4716 brake block - ES-II shoe no longer available
2	08-104400	OE Equivalentent brake kit	2	1 1/4" roller - (2) 01-340 return springs hook onto pins on the brake spider
3	◆	Spider	2	Not available
4	Chart	Camshaft	2	1 1/2" spider journal, 1 1/2"-10 spline, see cam section 15" Eaton MG39
5	◆	Camshaft support tube	2	Not available
6	08-135101	Camshaft kit	1	Nylatron spider bushing
	08-135111	Camshaft kit	1	Sintered metal spider bushing
7	05-461	Automatic slack	2	1 1/2"-10 spline, 5 1/2" straight arm - Bendix replacement
	05-561	Automatic slack	2	1 1/2"-10 spline, 5 1/2" straight arm - Crewson replacement
	05-761	Automatic slack	2	1 1/2"-10 spline, 5 1/2" straight arm - Gunite replacement
	05-361	Automatic slack	2	1 1/2"-10 spline, 5 1/2" straight arm - Meritor replacement
8	—	Axle nut assembly	2	See 213 catalog, Not Shown
10	◆	Dust shield	2	Not available

## Schematics



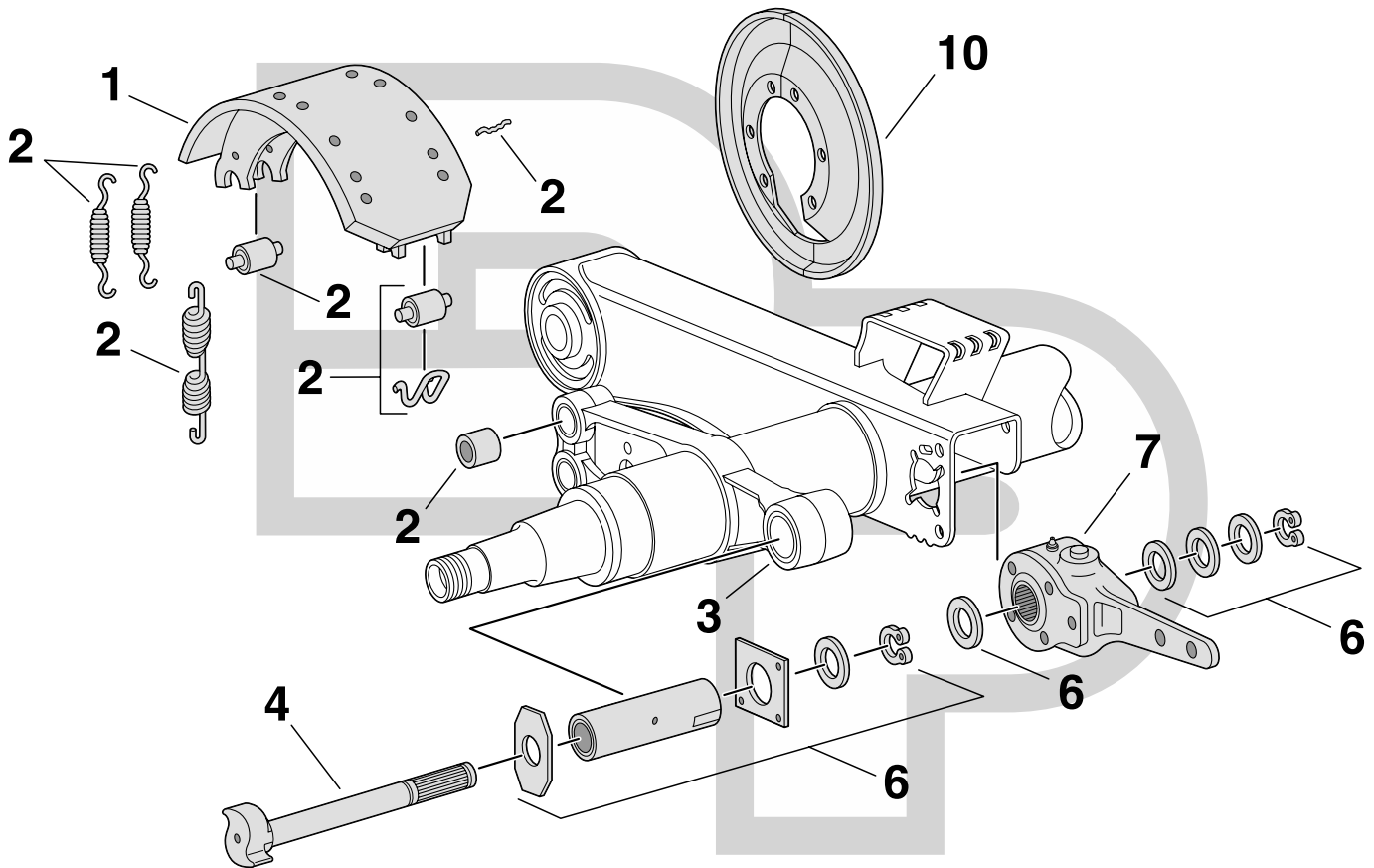
Key No.	Part Number	Description	No. Req.	Comments
1	4717E2	8 5/8" Unlined brake shoe	4	4717 brake block - 4717E2 shoe available lined only
	23M4717E2	8 5/8" New lined shoe	4	23k medium grade, Marathon FLOE
	SB23M4717E2	New lined shoebox	2	(2) 23M4717E2 shoes & (1) 08-104430 kit
2	08-104430	OE Equivalent brake kit	2	1 1/4" roller - (1) 01-347 return spring
3	SP	Spider	2	Special order part
4	Chart	Camshaft	2	1 1/2" spider journal, 1 1/2"-10 spline, see cam section 15" Eaton MG39
5	SP	Camshaft support tube	2	Special order part
6	08-135101	Camshaft kit	1	Nylatron spider bushing
	08-135111	Camshaft kit	1	Sintered metal spider bushing
7	05-461	Automatic slack	2	1 1/2"-10 spline, 5 1/2" straight arm - Bendix replacement
	05-561	Automatic slack	2	1 1/2"-10 spline, 5 1/2" straight arm - Crewson replacement
	05-761	Automatic slack	2	1 1/2"-10 spline, 5 1/2" straight arm - Gunitite replacement
	05-361	Automatic slack	2	1 1/2"-10 spline, 5 1/2" straight arm - Meritor replacement
8	—	Axle nut assembly	2	See 213 catalog, Not Shown
10	SP	Dust shield	2	Special order part



# Trailer axle - HXS series Intraax axle

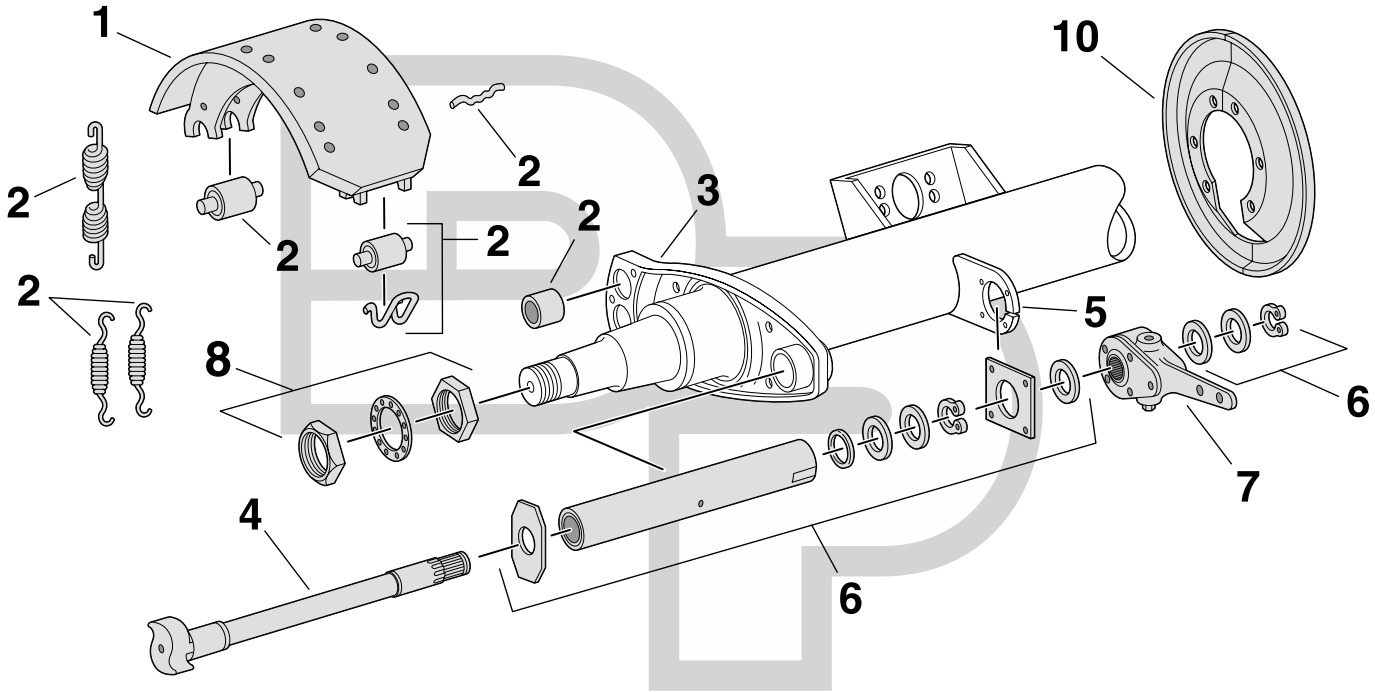
# 15" Hendrickson

Schematics

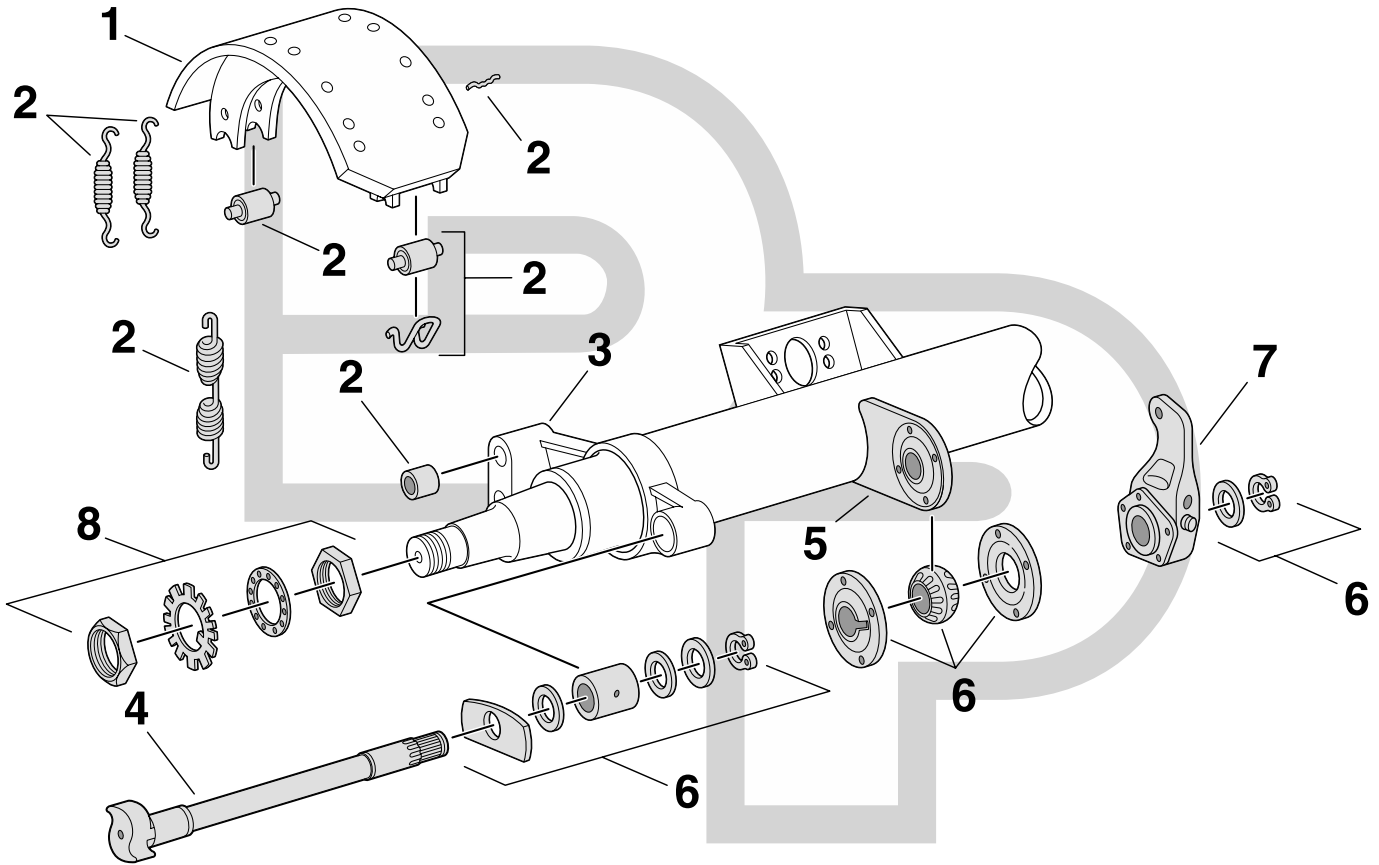


Key No.	Part Number	Description	No. Req.	Comments
1	4710QP	8 5/8" Unlined brake shoe	4	4710 brake block - 4710QP shoe available lined only
	21P4710QP	8 5/8" New lined shoe	4	21k premium grade, Marathon HS20
	SB21P4710QP	New lined shoebox	2	(2) 21P4710QP shoes & (1) 4702Q00 kit
	23M4710QP	8 5/8" New lined shoe	4	23k medium grade, Marathon FLOE
	SB23M4710QP	New lined shoebox	2	(2) 23M4710QP shoes & (1) 4702Q00 kit
	23DS4710QP	8 5/8" New lined shoe	4	23k standard grade, Dayton Parts DS23
	SB23DS4710QP	New lined shoebox	2	(2) 23DS4710QP shoes & (1) 4702Q00 kit
	23DP4710QP	8 5/8" New lined shoe	4	23k premium grade, Dayton Parts DP23
	SB23DP4710QP	New lined shoebox	2	(2) 23DP4710QP shoes & (1) 4702Q00 kit
2	08-116000	OE Equivalent brake kit	2	1 1/4" roller - standard return spring
	4702Q00	Cost-Plus brake kit	2	1 1/4" roller - standard return spring
3	◆	Spider	2	Weld on spider not available
4	Chart	Camshaft	2	1 1/2" Spider journal, 1 1/2"-28 spline, see cam section 15" Hendrickson MG25
5	◆	Camshaft support bracket	2	Suspension air beam used for cam support bracket
6	03-1450	Cam tube	2	Nylon bushings, wheel kit only
7	05-463	Automatic slack	2	1 1/2"-28 spline, 5 1/2" straight arm - Bendix replacement
	05-563	Automatic slack	2	1 1/2"-28 spline, 5 1/2" straight arm - Crewson replacement
	05-763	Automatic slack	2	1 1/2"-28 spline, 5 1/2" straight arm - Gunite replacement
	05-363	Automatic slack	2	1 1/2"-28 spline, 5 1/2" straight arm - Meritor replacement
	05-462	Automatic slack	2	1 1/2"-28 spline, 6" straight arm - Bendix replacement
	05-562	Automatic slack	2	1 1/2"-28 spline, 6" straight arm - Crewson replacement
	05-762	Automatic slack	2	1 1/2"-28 spline, 6" straight arm - Gunite replacement
	05-662	Automatic slack	2	1 1/2"-28 spline, 6" straight arm - Haldex replacement
	05-362	Automatic slack	2	1 1/2"-28 spline, 6" straight arm - Meritor replacement
	8	—	Axle nut assembly	2
10	02-522	Dust Shield	2	5" axle - clamps to axle tube

## Schematics

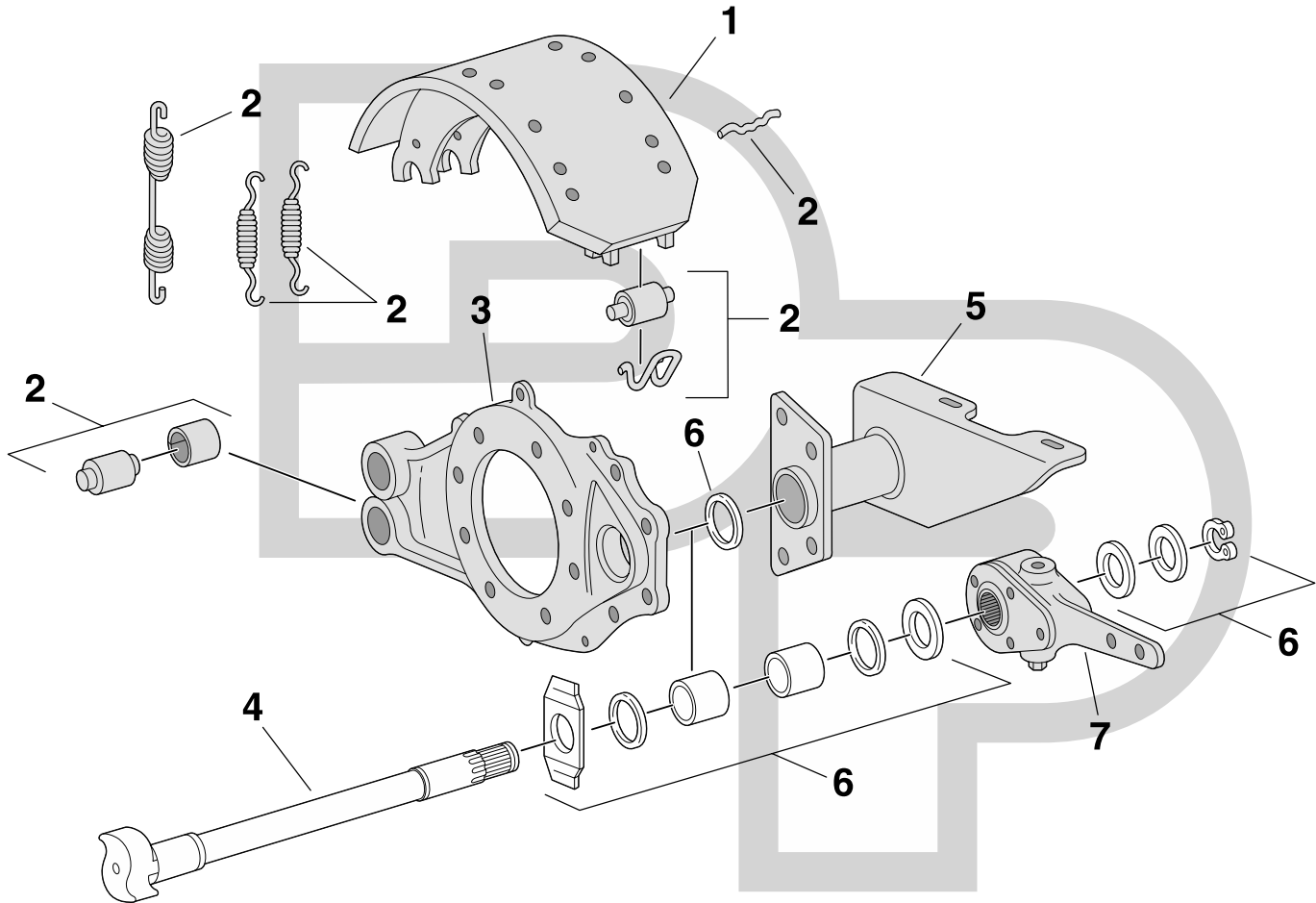


Key No.	Part Number	Description	No. Req.	Comments
1	4710QP	8 5/8" Unlined brake shoe	4	4710 brake block - 4710QP shoe available lined only
	21P4710QP	8 5/8" New lined shoe	4	21k premium grade, Marathon HS20
	SB21P4710QP	New lined shoebox	2	(2) 21P4710QP shoes & (1) 4702Q00 kit
	23M4710QP	8 5/8" New lined shoe	4	23k medium grade, Marathon FLOE
	SB23M4710QP	New lined shoebox	2	(2) 23M4710QP shoes & (1) 4702Q00 kit
	23DS4710QP	8 5/8" New lined shoe	4	23k standard grade, Dayton Parts DS23
	SB23DS4710QP	New lined shoebox	2	(2) 23DS4710QP shoes & (1) 4702Q00 kit
	23DP4710QP	8 5/8" New lined shoe	4	23k premium grade, Dayton Parts DP23
	SB23DP4710QP	New lined shoebox	2	(2) 23DP4710QP shoes & (1) 4702Q00 kit
2	08-116000	OE Equivalent brake kit	2	1 1/4" roller - standard return spring
	4702Q00	Cost-Plus brake kit	2	1 1/4" roller - standard return spring
3	◆	Spider	2	Weld on spider not available
4	Chart	Camshaft	2	1 1/2" Spider journal, 1 1/2"-28 spline, see cam section 15" Hendrickson MG76
5	◆	Camshaft support bracket	2	Not available
6	S-35322-9	Cam tube	2	23 1/2" 28 spline cam
7	05-463	Automatic slack	2	1 1/2"-28 spline, 5 1/2" straight arm - Bendix replacement
	05-563	Automatic slack	2	1 1/2"-28 spline, 5 1/2" straight arm - Crewson replacement
	05-763	Automatic slack	2	1 1/2"-28 spline, 5 1/2" straight arm - Gunite replacement
	05-363	Automatic slack	2	1 1/2"-28 spline, 5 1/2" straight arm - Meritor replacement
	05-462	Automatic slack	2	1 1/2"-28 spline, 6" straight arm - Bendix replacement
	05-562	Automatic slack	2	1 1/2"-28 spline, 6" straight arm - Crewson replacement
	05-762	Automatic slack	2	1 1/2"-28 spline, 6" straight arm - Gunite replacement
	05-662	Automatic slack	2	1 1/2"-28 spline, 6" straight arm - Haldex replacement
	05-362	Automatic slack	2	1 1/2"-28 spline, 6" straight arm - Meritor replacement
8	—	Axle nut assembly	2	See 213 catalog
10	02-522	Dust Shield	2	5" axle - clamps to axle tube



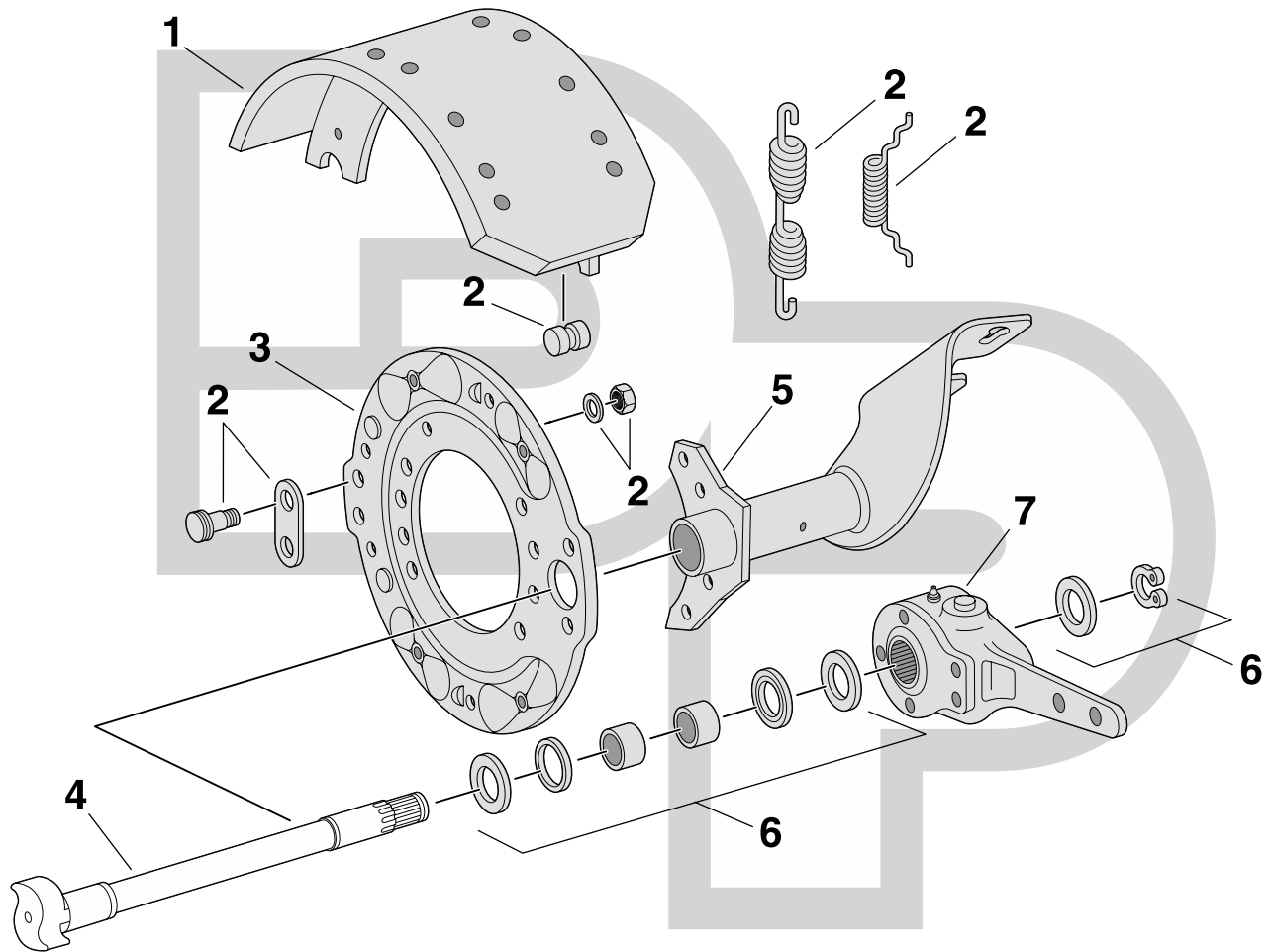
Key No.	Part Number	Description	No. Req.	Comments
1	◆	8 5/8" Unlined brake shoe	4	4710 brake block - IMT shoe not available, not interchangeable w/QP shoe
2	08-116000	OE Equivalent brake kit	2	1 1/4" roller - standard return spring
	4702Q00	Cost-Plus brake kit	2	1 1/4" roller - standard return spring
3	◆	Spider	2	Not available
4	Chart	Camshaft	2	1 5/8" spider journal, 1 1/2"-28 spline, see cam section 15" Ingersoll MG77
5	◆	Camshaft support bracket	2	Not available
	03-208	Camshaft support bushing	2	Nylatron support bushing
	03-119	Support bushing retainer plate	2	4 Bolt retainer plate
6	08-132100	Camshaft kit	1	Nylon spider bushing w/03-208 support bushing - 4 bolt retainer plate
	08-132110	Camshaft kit	1	Sintered metal spider bushing w/03-208 support bushing - 4 bolt retainer plate
7	05-462	Automatic slack	2	1 1/2"-28 spline, 6" straight arm - Bendix replacement
	05-562	Automatic slack	2	1 1/2"-28 spline, 6" straight arm - Crewson replacement
	05-762	Automatic slack	2	1 1/2"-28 spline, 6" straight arm - Gunite replacement
	05-662	Automatic slack	2	1 1/2"-28 spline, 6" straight arm - Haldex replacement
	05-362	Automatic slack	2	1 1/2"-28 spline, 6" straight arm - Meritor replacement
8	—	Axle nut assembly	2	See 213 catalog

## Schematics

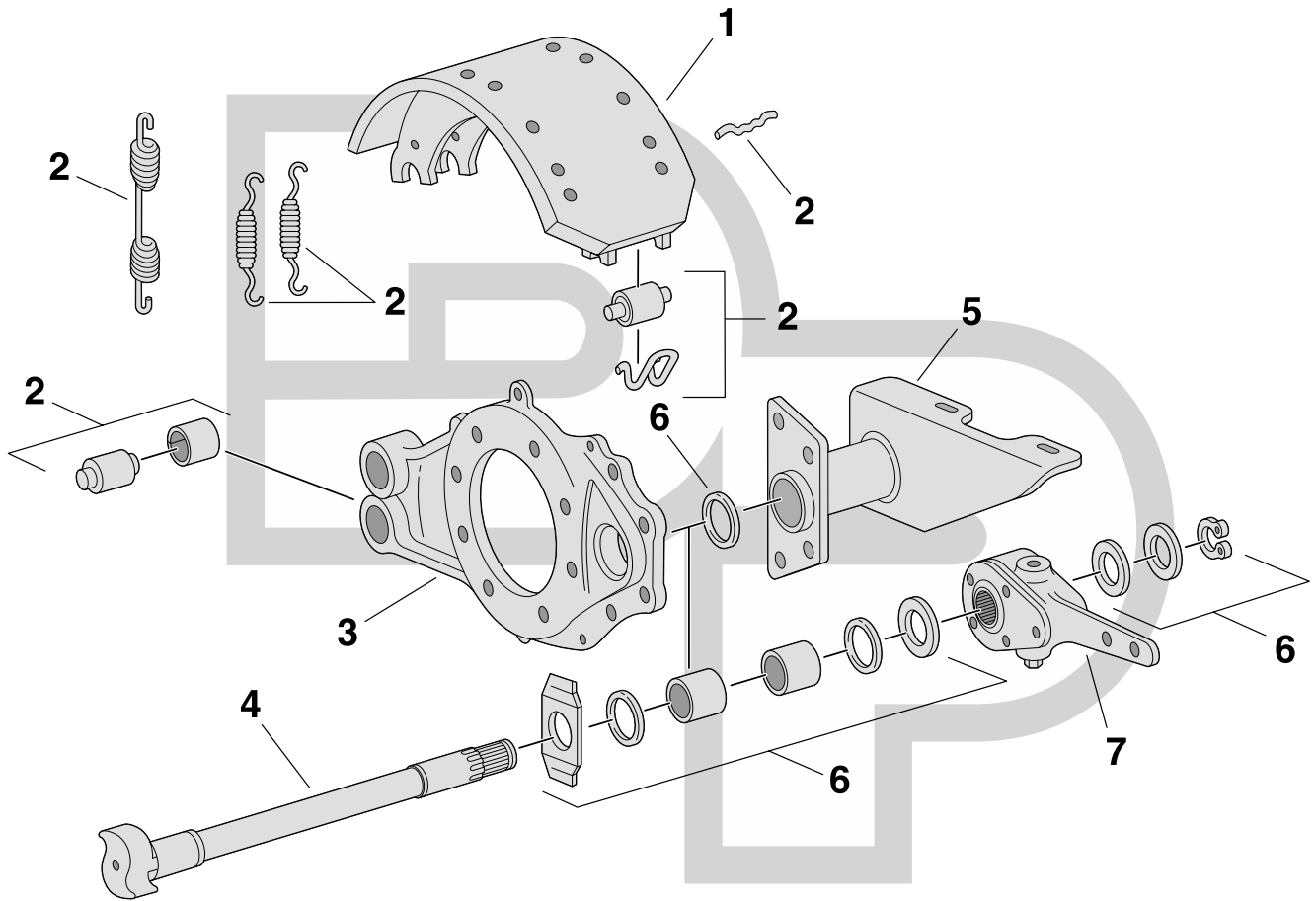


Key No.	Part Number	Description	No. Req.	Comments
1	4703QP 23M4703QP SB23M4703QP	5" Unlined brake shoe 5" New lined shoe New lined shoebox	4 4 2	4703 brake block - 4703QP shoe available lined only 23k medium grade, Marathon FLOE (2) 23M4703QP shoes & (1) 4702Q00 kit
2	08-116000 4702Q00	OE Equivalent brake kit Cost-Plus brake kit	2 2	1 1/4" roller - standard return spring 1 1/4" roller - standard return spring
3	SP	Spider	2	Special order part
4	Chart	Camshaft	2	1 5/8" spider journal, 1 1/2"-28 spline, MG29 no longer available, replace w/MG26 cams both wheel ends per axle
5	SP	Camshaft support tube	2	Special order part
6	08-131810	Camshaft kit	1	Sintered metal spider bushing - MG26 cam
7	05-463 05-563 05-763 05-363	Automatic slack Automatic slack Automatic slack Automatic slack	2 2 2 2	1 1/2"-28 spline, 5 1/2" straight arm - Bendix replacement 1 1/2"-28 spline, 5 1/2" straight arm - Crewson replacement 1 1/2"-28 spline, 5 1/2" straight arm - Gunitite replacement 1 1/2"-28 spline, 5 1/2" straight arm - Meritor replacement
8	—	Axle nut assembly	2	See 213 catalog, Not Shown





Key No.	Part Number	Description	No. Req.	Comments
1	<b>1308Q</b>	4" Unlined brake shoe	4	1308TT brake lining - 1308Q shoe available lined only
	<b>20M1308Q</b>	4" New lined shoe	4	20k medium grade, Marathon UB
	<b>SB20M1308Q</b>	New lined shoebox	2	(2) 20M1308Q shoes & (1) 1308Q00 kit
	<b>SB20M1308QLP</b>	New lined shoebox	2	(2) 20M1308Q shoes & (1) 1308Q02 kit
	<b>21P1308Q</b>	4" New lined shoe	4	21k premium grade, Marathon HS20
	<b>SB21P1308Q</b>	New lined shoebox	2	(2) 21P1308Q shoes & (1) 1308Q00 kit
	<b>SB21P1308QLP</b>	New lined shoebox	2	(2) 21P1308Q shoes & (1) 1308Q02 kit
	<b>23M1308Q</b>	4" New lined shoe	4	23k medium grade, Marathon FLOE
	<b>SB23M1308Q</b>	New lined shoebox	2	(2) 23M1308Q shoes & (1) 1308Q00 kit
<b>SB23M1308QLP</b>	New lined shoebox	2	(2) 23M1308Q shoes & (1) 1308Q02 kit	
2	<b>08-111100</b>	OE Equivalent brake kit	2	1 1/4" roller - standard return spring
	<b>08-111102</b>	OE Equivalent brake kit	2	1 1/4" roller - less anchor pins & back nuts
	<b>1308Q00</b>	Cost-Plus brake kit	2	1 1/4" roller - standard return spring
	<b>1308Q02</b>	Cost-Plus brake kit	2	1 1/4" roller - less anchor pins & back nuts
3	<b>SP</b>	Backing plate	2	Special order part
4	◆	Camshaft	2	1 1/4" spider journal, 1 1/4"-24 spline, MG21 cams no longer available
5	<b>SP</b>	Camshaft support tube	2	Special order part
6	<b>08-136100</b>	Camshaft kit	1	Nylatron bushings
7	<b>05-254</b>	Manual slack	2	1 1/4"-24 spline, 5 1/2" straight arm
	<b>05-572</b>	Automatic slack	2	1 1/4"-24 spline, 5 1/2" straight arm - Crewson replacement
	<b>05-772</b>	Automatic slack	2	1 1/4"-24 spline, 5 1/2" straight arm - Gunite replacement
	<b>05-372</b>	Automatic slack	2	1 1/4"-24 spline, 5 1/2" straight arm - Meritor replacement
8	—	Axle nut assembly	2	See 213 catalog

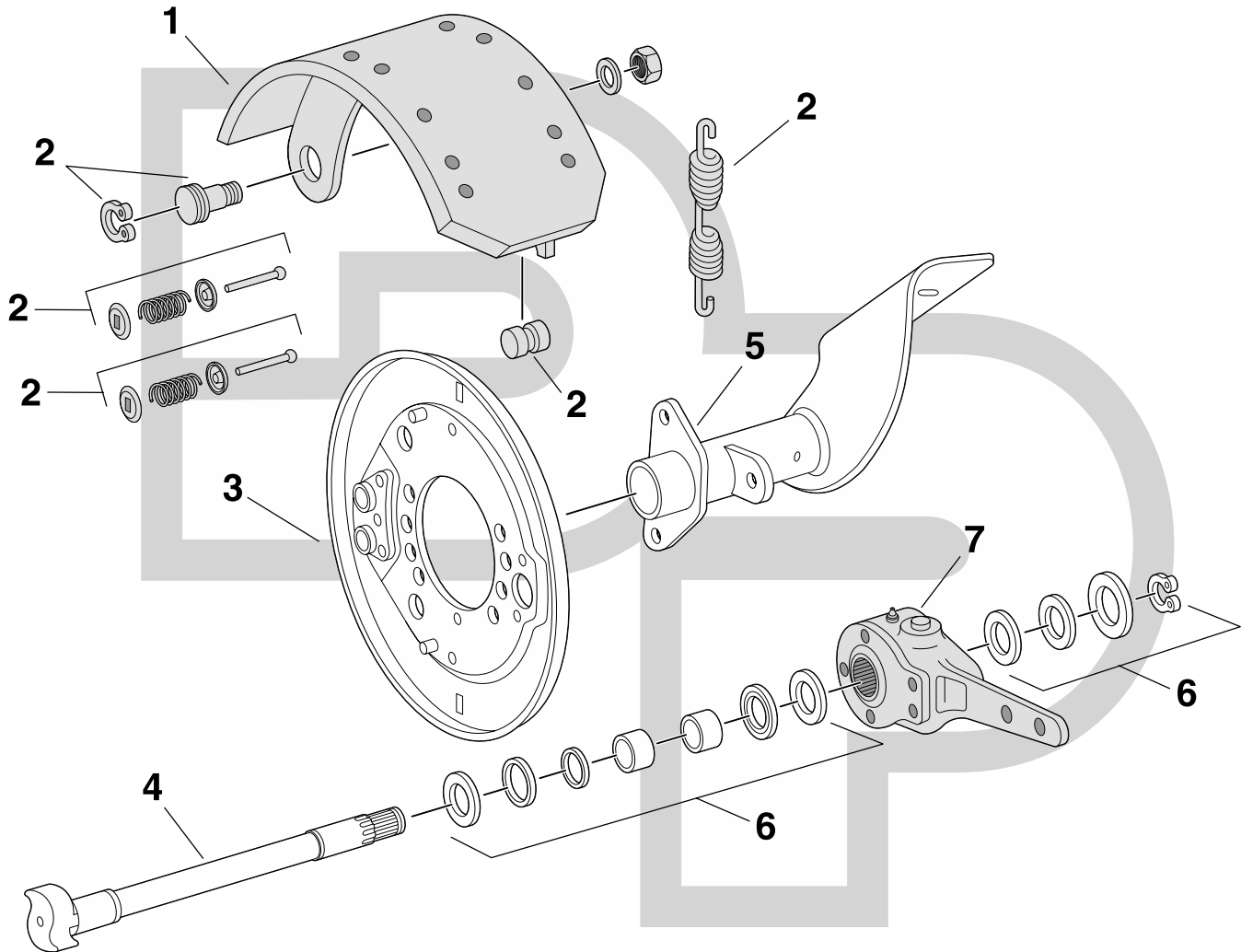


Key No.	Part Number	Description	No. Req.	Comments
1	4702QP	4" Unlined brake shoe	4	4702 brake block - 4702QP shoe available lined only
	20E4702QP	4" New lined shoe	4	20k economy grade, Marathon MV20
	SB20E4702QP	New lined shoebox	2	(2) 20E4702QP shoes & (1) 4702Q00 kit
	20M4702QP	4" New lined shoe	4	20k medium grade, Marathon UB
	SB20M4702QP	New lined shoebox	2	(2) 20M4702QP shoes & (1) 4702Q00 kit
	21P4702QP	4" New lined shoe	4	21k premium grade, Marathon HS20
	SB21P4702QP	New lined shoebox	2	(2) 21P4702QP shoes & (1) 4702Q00 kit
	23M4702QP	4" New lined shoe	4	23k medium grade, Marathon FLOE
	SB23M4702QP	New lined shoebox	2	(2) 23M4702QP shoes & (1) 4702Q00 kit
	23DS4702QP	4" New lined shoe	4	23k standard grade, Dayton Parts DS23
	SB23DS4702QP	New lined shoebox	2	(2) 23DS4702QP shoes & (1) 4702Q00 kit
	23DP4702QP	4" New lined shoe	4	23k premium grade, Dayton Parts DP23
	SB23DP4702QP	New lined shoebox	2	(2) 23DP4702QP shoes & (1) 4702Q00 kit
	4703QP	5" Unlined brake shoe	4	4703 brake block - 4703QP shoe available lined only
	23M4703QP	5" New lined shoe	4	23k medium grade, Marathon FLOE
	SB23M4703QP	New lined shoebox	2	(2) 23M4703QP shoes & (1) 4702Q00 kit
4704QP	6" Unlined brake shoe	4	4704 brake block - 4704QP shoe available lined only	
23P4704QP	6" New lined shoe	4	23k premium grade, Marathon HS	
SB23P4704QP	New lined shoebox	2	(2) 23P4704QP shoes & (1) 4702Q00 kit	
2	08-116000	OE Equivalent brake kit	2	1 1/4" roller - standard return spring
	4702Q00	Cost-Plus brake kit	2	1 1/4" roller - standard return spring
3	SP	Spider	2	Special order part
4	Chart	Camshaft	2	1 1/2" spider journal, 1 1/2"-28 spline, see cam section 15" Rockwell MG26
5	SP	Camshaft support tube	2	Special order part
6	08-131800	Camshaft kit	1	Nylatron spider bushing
	08-131810	Camshaft kit	1	Sintered metal spider bushing
7	05-237	Manual slack	2	1 1/2"-28 spline, 5 1/2" straight arm
	05-463	Automatic slack	2	1 1/2"-28 spline, 5 1/2" straight arm - Bendix replacement
	05-563	Automatic slack	2	1 1/2"-28 spline, 5 1/2" straight arm - Crewson replacement
	05-763	Automatic slack	2	1 1/2"-28 spline, 5 1/2" straight arm - Gunite replacement
	05-363	Automatic slack	2	1 1/2"-28 spline, 5 1/2" straight arm - Meritor replacement
8	—	Axle nut assembly	2	See 213 catalog

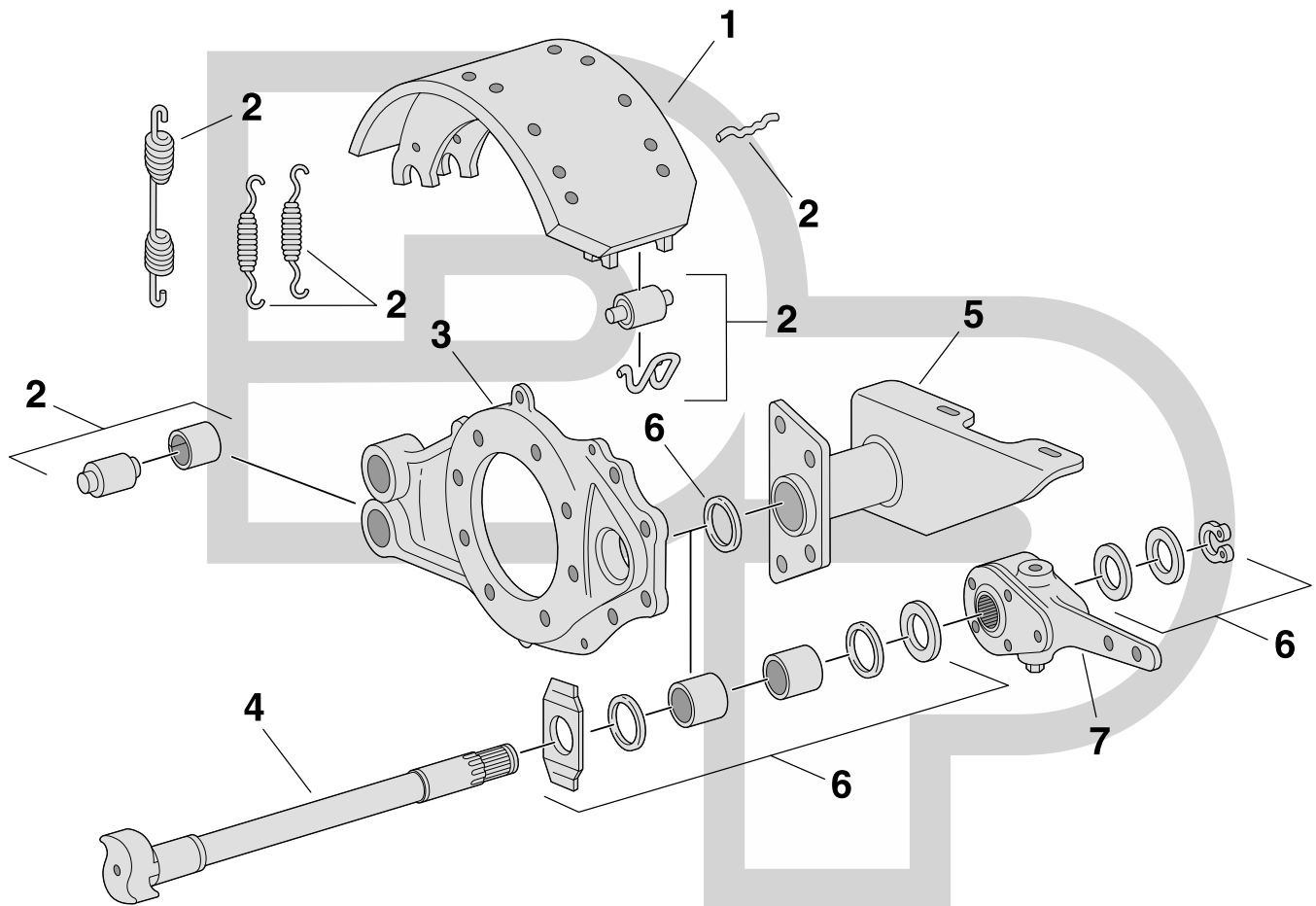
# 15" Rockwell

# Steer axle - T series 1 1/4" camshaft

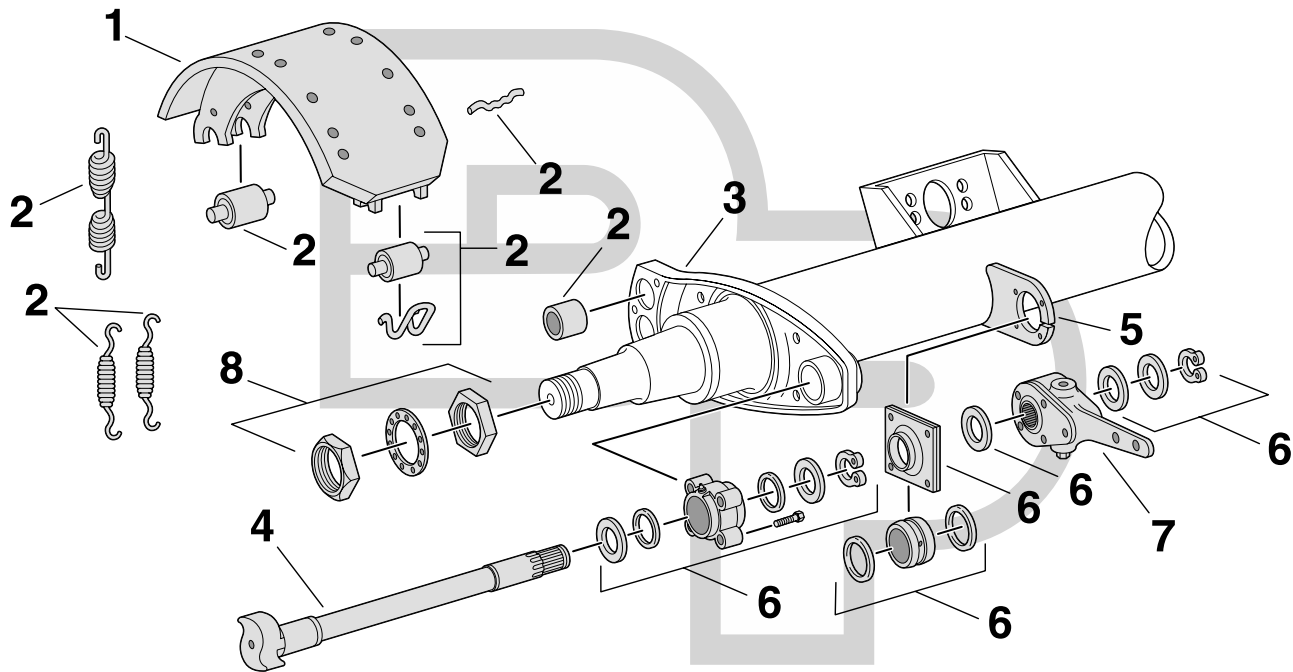
Schematics



Key No.	Part Number	Description	No. Req.	Comments
1	1308T	4" Unlined brake shoe	4	1308 brake lining - 1308T shoe available lined only, cannot replace T shoes w/Q shoes
	21P1308T	4" New lined shoe	4	21k premium grade, Marathon HS20
	SB21P1308T	New lined shoebox	2	(2) 21P1308T shoes & (1) 1308T00 kit
	SB21P1308TLP	New lined shoebox	2	(2) 21P1308T shoes & (1) 1308T02 kit
2	08-110700	OE Equivalent brake kit	2	1 1/4" roller - standard return spring
	08-110702	OE Equivalent brake kit	2	1 1/4" roller - less anchor pins & back nuts
	1308T00	Cost-Plus brake kit	2	1 1/4" roller - standard return spring
	1308T02	Cost-Plus brake kit	2	1 1/4" roller - less anchor pins & back nuts
3	◆	Backing plate	2	Not available
4	◆	Camshaft	2	1 1/4" spider journal, 1 1/4"-10 spline, MG20 no longer available
5	◆	Camshaft support tube	2	Not available
6	◆	Camshaft kit	1	Delrin bushings, camshaft kit
7	05-232	Manual slack	2	1 1/4"-10 spline, 5 1/2" offset arm - 5/8" RH
	05-233	Manual slack	2	1 1/4"-10 spline, 5 1/2" offset arm - 5/8" LH
	05-214	Manual slack	2	1 1/4"-10 spline, 5 1/2" straight arm
	05-570	Automatic slack	2	1 1/4"-10 spline, 5 1/2" straight arm - Crewson replacement
	05-770	Automatic slack	2	1 1/4"-10 spline, 5 1/2" straight arm - Gunite replacement
	05-370	Automatic slack	2	1 1/4"-10 spline, 5 1/2" straight arm - Meritor replacement
8	—	Axle nut assembly	2	See 213 catalog, Not Shown

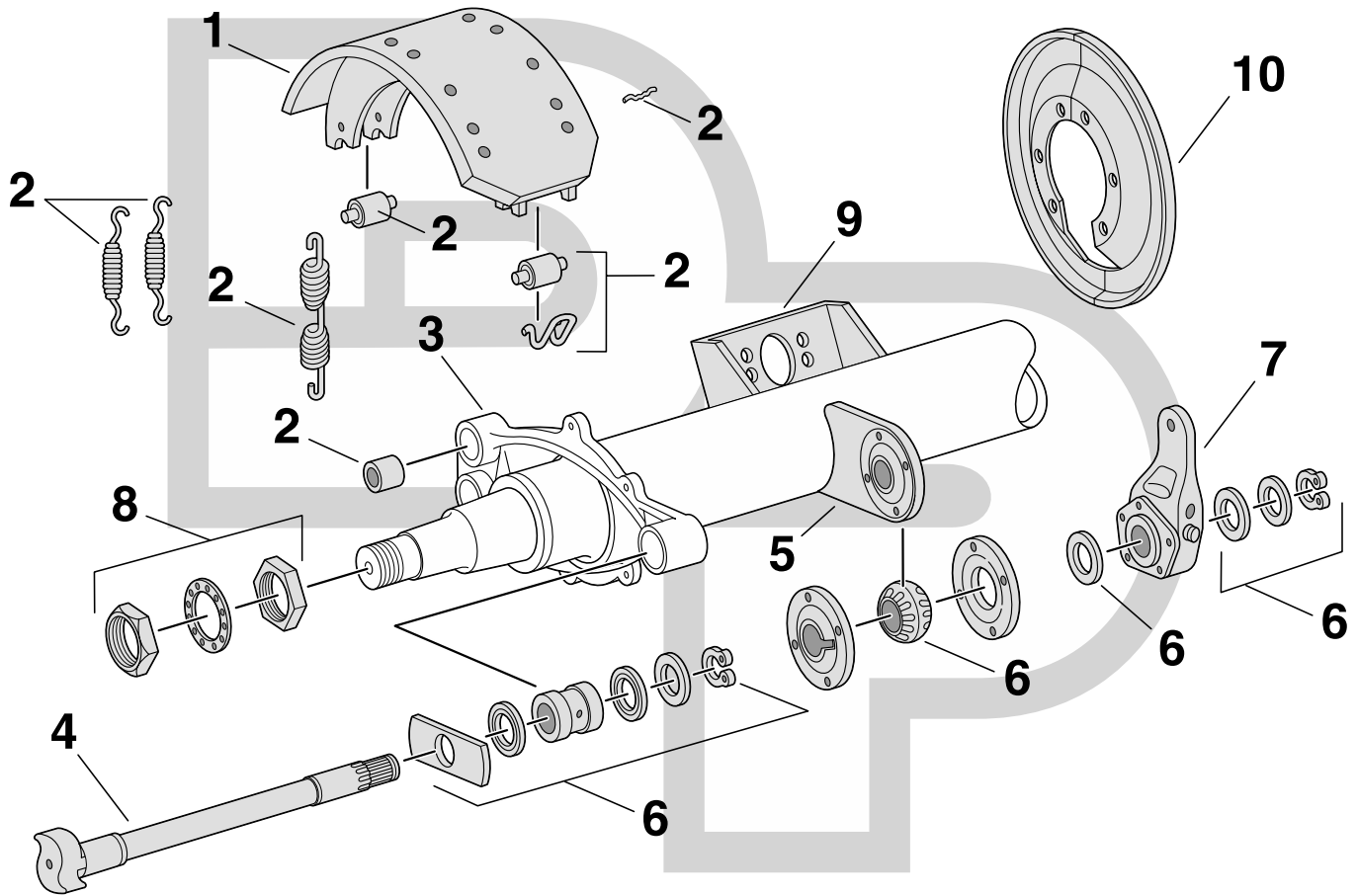


Key No.	Part Number	Description	No. Req.	Comments
1	<b>4710QP</b>	8 5/8" Unlined brake shoe	4	4710 brake block - 4710QP shoe available lined only
	<b>21P4710QP</b>	8 5/8" New lined shoe	4	21k premium grade, Marathon HS20
	<b>SB21P4710QP</b>	New lined shoebox	2	(2) 21P4710QP shoes & (1) 4702Q00 kit
	<b>23M4710QP</b>	8 5/8" New lined shoe	4	23k medium grade, Marathon FLOE
	<b>SB23M4710QP</b>	New lined shoebox	2	(2) 23M4710QP shoes & (1) 4702Q00 kit
	<b>23DS4710QP</b>	8 5/8" New lined shoe	4	23k standard grade, Dayton Parts DS23
	<b>SB23DS4710QP</b>	New lined shoebox	2	(2) 23DS4710QP shoes & (1) 4702Q00 kit
	<b>23DP4710QP</b>	8 5/8" New lined shoe	4	23k premium grade, Dayton Parts DP23
	<b>SB23DP4710QP</b>	New lined shoebox	2	(2) 23DP4710QP shoes & (1) 4702Q00 kit
2	<b>08-116000</b>	OE Equivalent brake kit	2	1 1/4" roller - standard return spring
	<b>4702Q00</b>	Cost-Plus brake kit	2	1 1/4" roller - standard return spring
3	<b>SP</b>	Spider	2	Special order part
4	<b>Chart</b>	Camshaft	2	1 1/2" spider journal, 1 1/2"-28 spline, see cam section 15" Rockwell MG26
5	<b>SP</b>	Camshaft support tube	2	Special order part
6	<b>08-131800</b>	Camshaft kit	1	Nylatron spider bushing
	<b>08-131810</b>	Camshaft kit	1	Sintered metal spider bushing
7	<b>05-237</b>	Manual slack	2	1 1/2"-28 spline, 5 1/2" straight arm
	<b>05-463</b>	Automatic slack	2	1 1/2"-28 spline, 5 1/2" straight arm - Bendix replacement
	<b>05-563</b>	Automatic slack	2	1 1/2"-28 spline, 5 1/2" straight arm - Crewson replacement
	<b>05-763</b>	Automatic slack	2	1 1/2"-28 spline, 5 1/2" straight arm - Gunite replacement
	<b>05-363</b>	Automatic slack	2	1 1/2"-28 spline, 5 1/2" straight arm - Meritor replacement
8	—	Axle nut assembly	2	See 213 catalog, Not Shown

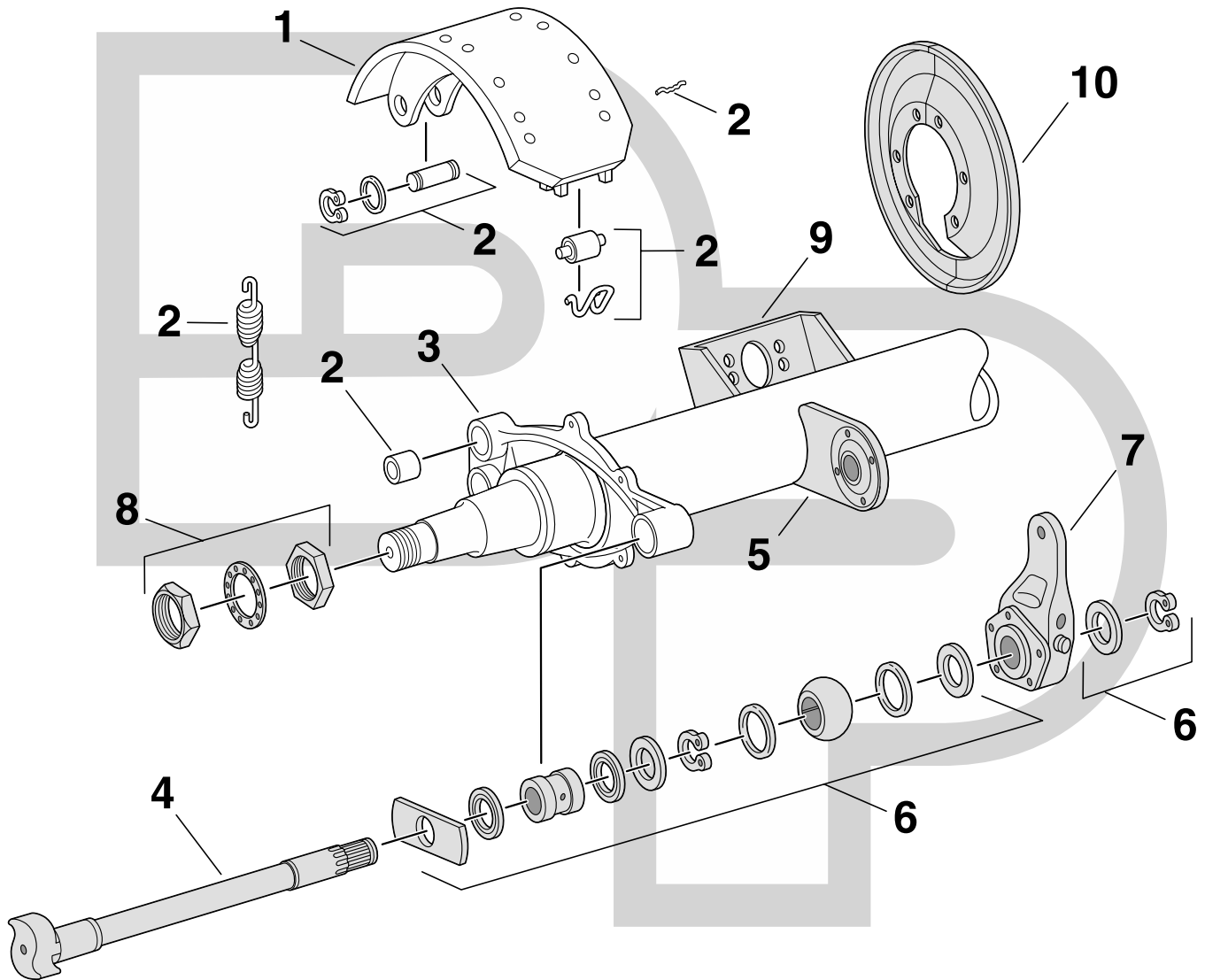




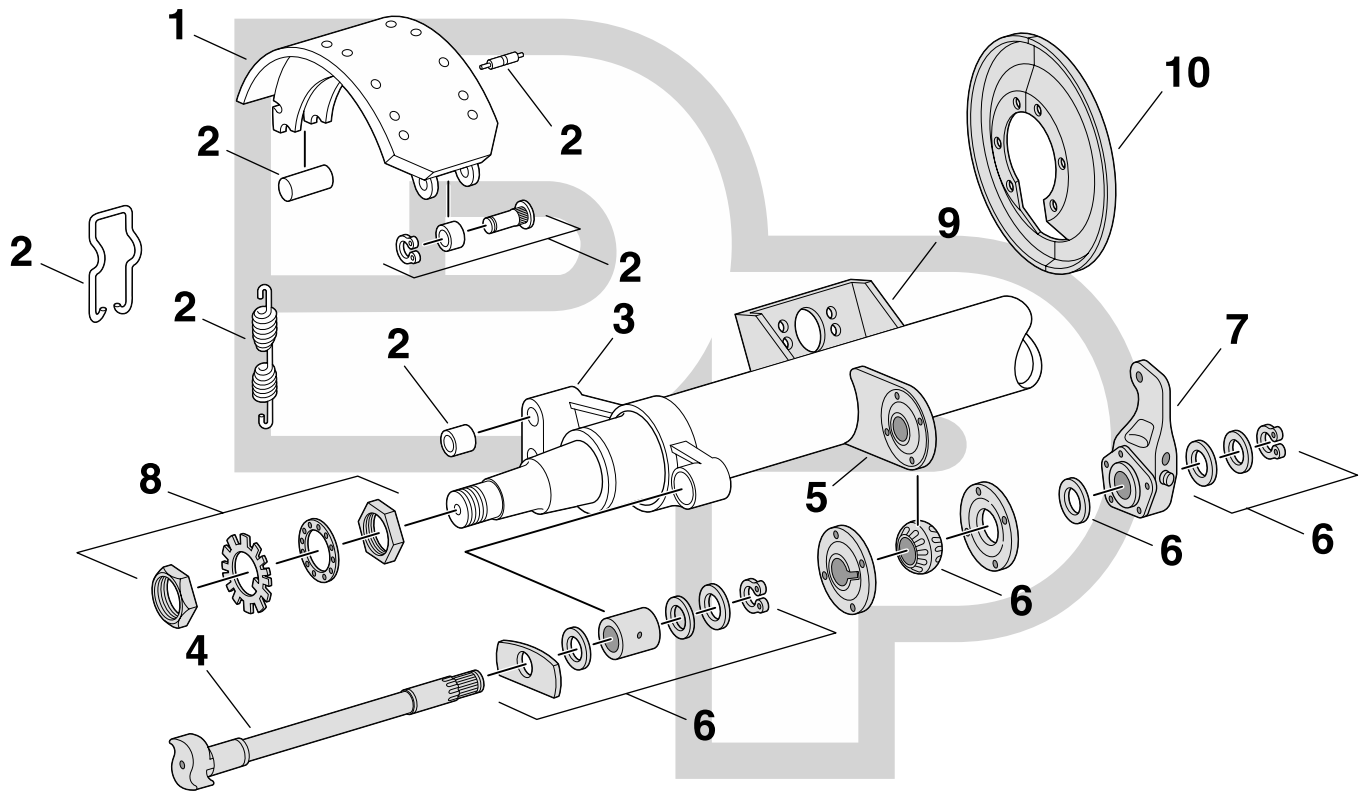
Key No.	Part Number	Description	No. Req.	Comments
1	<b>4710QP</b>	8 5/8" Unlined brake shoe	4	4710 brake block - 4710QP shoe available lined only
	<b>21P4710QP</b>	8 5/8" New lined shoe	4	21k premium grade, Marathon HS20
	<b>SB21P4710QP</b>	New lined shoebox	2	(2) 21P4710QP shoes & (1) 4702Q00 kit
	<b>23M4710QP</b>	8 5/8" New lined shoe	4	23k medium grade, Marathon FLOE
	<b>SB23M4710QP</b>	New lined shoebox	2	(2) 23M4710QP shoes & (1) 4702Q00 kit
	<b>23DS4710QP</b>	8 5/8" New lined shoe	4	23k standard grade, Dayton Parts DS23
	<b>SB23DS4710QP</b>	New lined shoebox	2	(2) 23DS4710QP shoes & (1) 4702Q00 kit
	<b>23DP4710QP</b> <b>SB23DP4710QP</b>	8 5/8" New lined shoe New lined shoebox	4 2	23k premium grade, Dayton Parts DP23 (2) 23DP4710QP shoes & (1) 4702Q00 kit
2	<b>08-116000</b>	OE Equivalent brake kit	2	1 1/4" roller - standard return spring
	<b>4702Q00</b>	Cost-Plus brake kit	2	1 1/4" roller - standard return spring
3	◆	Spider	2	Weld-on spider not available
4	<b>Chart</b>	Camshaft	2	1 5/8" spider journal, 1 1/2"-28 spline, see cam section 15" Rockwell MG90
5	<b>03-130</b>	Camshaft support bracket	2	03-209 support bushing - zerk screws into the bushing
	<b>03-132</b>	Camshaft support bracket	2	03-2091 support bushing - zerk screws into the retainer plate
6	<b>08-130611</b>	Camshaft kit	1	Sintered metal 4 bolt boss w/03-209 support bushing - zerk screws into bushing
	<b>08-130615</b>	Camshaft kit	1	Sintered metal 4 bolt boss w/03-2091 support bushing - zerk screws into retainer plate
7	<b>05-462</b>	Automatic slack	2	1 1/2"-28 spline, 6" straight arm - Bendix replacement
	<b>05-562</b>	Automatic slack	2	1 1/2"-28 spline, 6" straight arm - Crewson replacement
	<b>05-762</b>	Automatic slack	2	1 1/2"-28 spline, 6" straight arm - Gunitite replacement
	<b>05-662</b>	Automatic slack	2	1 1/2"-28 spline, 6" straight arm - Haldex replacement
	<b>05-362</b>	Automatic slack	2	1 1/2"-28 spline, 6" straight arm - Meritor replacement
8	—	Axle nut assembly	2	See 213 catalog



Key No.	Part Number	Description	No. Req.	Comments	
1	4515Q	7" Unlined brake shoe	4	4515E brake block - 4515Q shoe available lined only	
	20E4515Q	7" New lined shoe	4	20k economy grade, Marathon MV20	
	SB20E4515Q	New lined shoebox	2	(2) 20E4515Q shoes & (1) 4515Q30 kit	
	20M4515Q	7" New lined shoe	4	20k medium grade, Marathon UB	
	SB20M4515Q	New lined shoebox	2	(2) 20M4515Q shoes & (1) 4515Q30 kit	
	21P4515Q	7" New lined shoe	4	21k premium grade, Marathon HS20	
	SB21P4515Q	New lined shoebox	2	(2) 21P4515Q shoes & (1) 4515Q30 kit	
	23E4515Q	7" New lined shoe	4	23k economy grade, Marathon MV23	
	SB23E4515Q	New lined shoebox	2	(2) 23E4515Q shoes & (1) 4515Q30 kit	
	23F4515Q	7" New lined shoe	4	23k fleet grade, Marathon FS23	
	SB23F4515Q	New lined shoebox	2	(2) 23F4515Q shoes & (1) 4515Q30 kit	
	23M4515Q	7" New lined shoe	4	23k medium grade, Marathon FLOE	
	SB23M4515Q	New lined shoebox	2	(2) 23M4515Q shoes & (1) 4515Q30 kit	
	23P4515Q	7" New lined shoe	4	23k premium grade, Marathon HS	
	SB23P4515Q	New lined shoebox	2	(2) 23P4515Q shoes & (1) 4515Q30 kit	
	2	08-108830	OE Equivalent brake kit	2	1 1/4" roller - heavy duty return spring
		4515Q30	Cost-Plus brake kit	2	1 1/4" roller - heavy duty return spring
◆		Spider	2	Weld on spider not available	
4		Chart	2	1 1/2" spider journal, 1 1/2"-28 spline, see cam section 16 1/2" Dana MG58	
5		◆	Camshaft support bracket	2	Spherical support w/3 bolt retainer plate no longer available, replace w/03-114
		03-114	Camshaft support bracket	2	Spherical support w/03-208 support bushing - 4 bolt retainer plate
6		08-132110	Camshaft kit	1	Sintered metal spider bushing w/03-208 support bushing - 4 bolt retainer plate
7		05-238	Manual slack	2	1 1/2"-28 spline, 6" straight arm
		05-262	Manual slack - HD	2	1 1/2"-28 spline, 6" straight arm
		05-462	Automatic slack	2	1 1/2"-28 spline, 6" straight arm - Bendix replacement
	05-562	Automatic slack	2	1 1/2"-28 spline, 6" straight arm - Crewson replacement	
	05-762	Automatic slack	2	1 1/2"-28 spline, 6" straight arm - Gunite replacement	
	05-662	Automatic slack	2	1 1/2"-28 spline, 6" straight arm - Haldex replacement	
	05-362	Automatic slack	2	1 1/2"-28 spline, 6" straight arm - Meritor replacement	
8	—	Axle nut assembly	2	See 213 catalog	
9	Chart	Air chamber bracket	2	See air chamber bracket section	
10	02-507HD	Dust shield	2	Bolts to the spider	

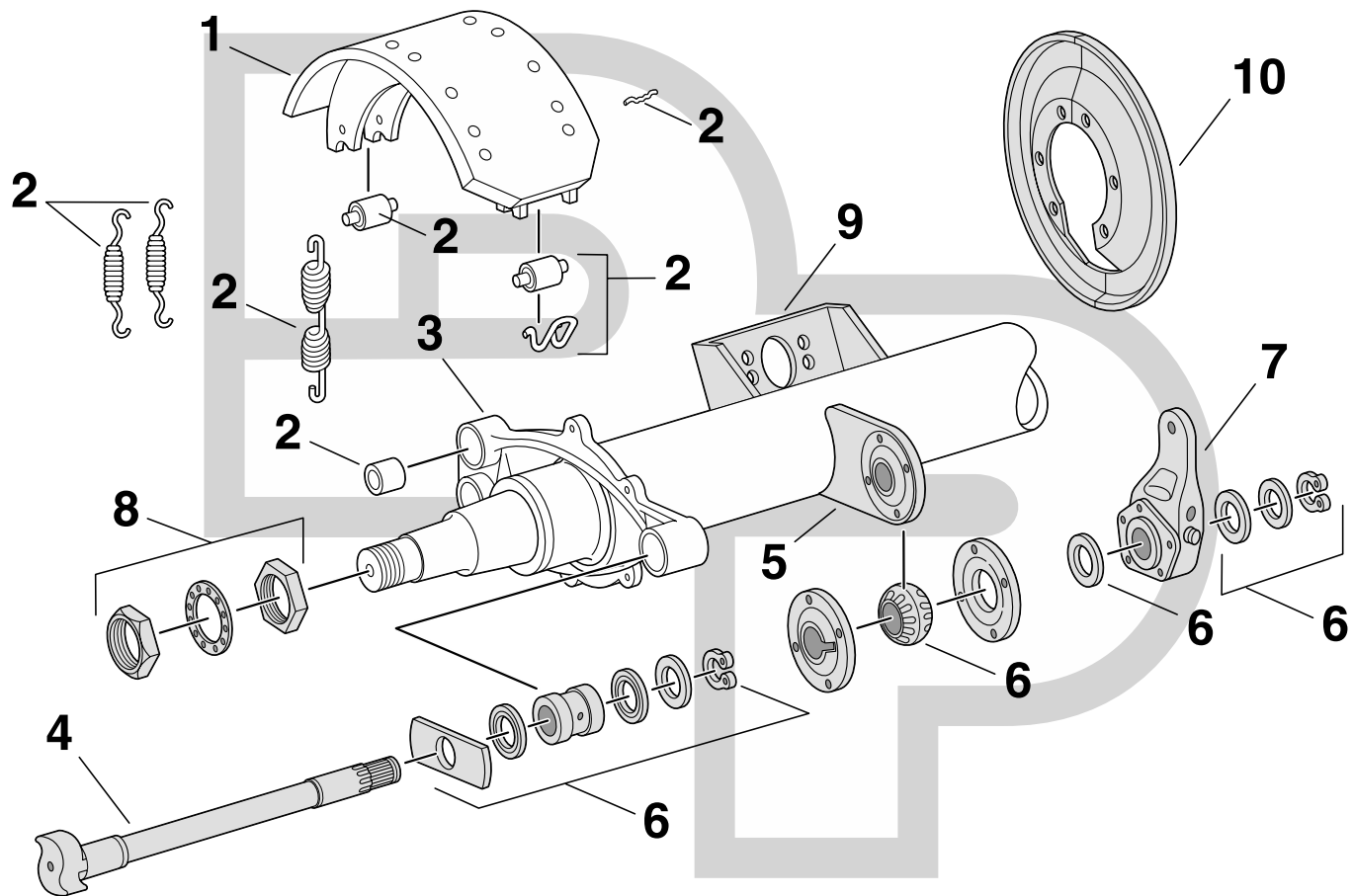


Key No.	Part Number	Description	No. Req.	Comments
1	◆	7" Unlined brake shoe	4	4515E brake block - FT shoe no longer available, replace w/4515Q shoes & kits both wheel ends per axle
	<b>20E4515Q</b>	7" New lined shoe	4	20k economy grade, Marathon MV20
	<b>SB20E4515Q</b>	New lined shoebox	2	(2) 20E4515Q shoes & (1) 4515Q30 kit
	<b>20M4515Q</b>	7" New lined shoe	4	20k medium grade, Marathon UB
	<b>SB20M4515Q</b>	New lined shoebox	2	(2) 20M4515Q shoes & (1) 4515Q30 kit
	<b>21P4515Q</b>	7" New lined shoe	4	21k premium grade, Marathon HS20
	<b>SB21P4515Q</b>	New lined shoebox	2	(2) 21P4515Q shoes & (1) 4515Q30 kit
	<b>23E4515Q</b>	7" New lined shoe	4	23k economy grade, Marathon MV23
	<b>SB23E4515Q</b>	New lined shoebox	2	(2) 23E4515Q shoes & (1) 4515Q30 kit
	<b>23F4515Q</b>	7" New lined shoe	4	23k fleet grade, Marathon FS23
	<b>SB23F4515Q</b>	New lined shoebox	2	(2) 23F4515Q shoes & (1) 4515Q30 kit
	<b>23M4515Q</b>	7" New lined shoe	4	23k medium grade, Marathon FLOE
	<b>SB23M4515Q</b>	New lined shoebox	2	(2) 23M4515Q shoes & (1) 4515Q30 kit
	<b>23P4515Q</b>	7" New lined shoe	4	23k premium grade, Marathon HS
	<b>SB23P4515Q</b>	New lined shoebox	2	(2) 23P4515Q shoes & (1) 4515Q30 kit
	<b>23DS4515Q</b>	7" New lined shoe	4	23k standard grade, Dayton Parts DS23
	<b>SB23DS4515Q</b>	New lined shoebox	2	(2) 23DS4515Q shoes & (1) 4515Q30 kit
	<b>23DP4515Q</b>	7" New lined shoe	4	23k premium grade, Dayton Parts DP23
	<b>SB23DP4515Q</b>	New lined shoebox	2	(2) 23DP4515Q shoes & (1) 4515Q30 kit
2	<b>08-108830</b>	OE Equivalent brake kit	2	1 1/4" roller - heavy duty return spring - Q shoe
	<b>4515Q30</b>	Cost-Plus brake kit	2	1 1/4" roller - heavy duty return spring - Q shoe
3	◆	Spider	2	Weld on spider not available
4	<b>Chart</b>	Camshaft	2	1 1/2" spider journal, 1 1/2"-10 spline, see cam section 16 1/2" Dana MG57
5	◆	Camshaft support bracket	2	Spherical support w/3 bolt retainer plate no longer available, replace w/03-114
	<b>03-114</b>	Camshaft support bracket	2	Spherical support w/03-208 support bushing - 4 bolt retainer plate
6	<b>08-132100</b>	Camshaft kit	1	Nylon spider bushing w/03-208 support bushing - 4 bolt retainer plate
	<b>08-132110</b>	Camshaft kit	1	Sintered metal spider bushing w/03-208 support bushing - 4 bolt retainer plate
7	<b>05-203</b>	Manual slack	2	1 1/2"-10 spline, 6" straight arm
	<b>05-260</b>	Manual slack - HD	2	1 1/2"-10 spline, 6" straight arm
	<b>05-460</b>	Automatic slack	2	1 1/2"-10 spline, 6" straight arm - Bendix replacement
	<b>05-560</b>	Automatic slack	2	1 1/2"-10 spline, 6" straight arm - Crewson replacement
	<b>05-760</b>	Automatic slack	2	1 1/2"-10 spline, 6" straight arm - Gunite replacement
	<b>05-660</b>	Automatic slack	2	1 1/2"-10 spline, 6" straight arm - Haldex replacement
	<b>05-360</b>	Automatic slack	2	1 1/2"-10 spline, 6" straight arm - Meritor replacement
8	—	Axle nut assembly	2	See 213 catalog
9	<b>Chart</b>	Air chamber bracket	2	See air chamber bracket section
10	<b>02-507HD</b>	Dust shield	2	Bolts to the spider

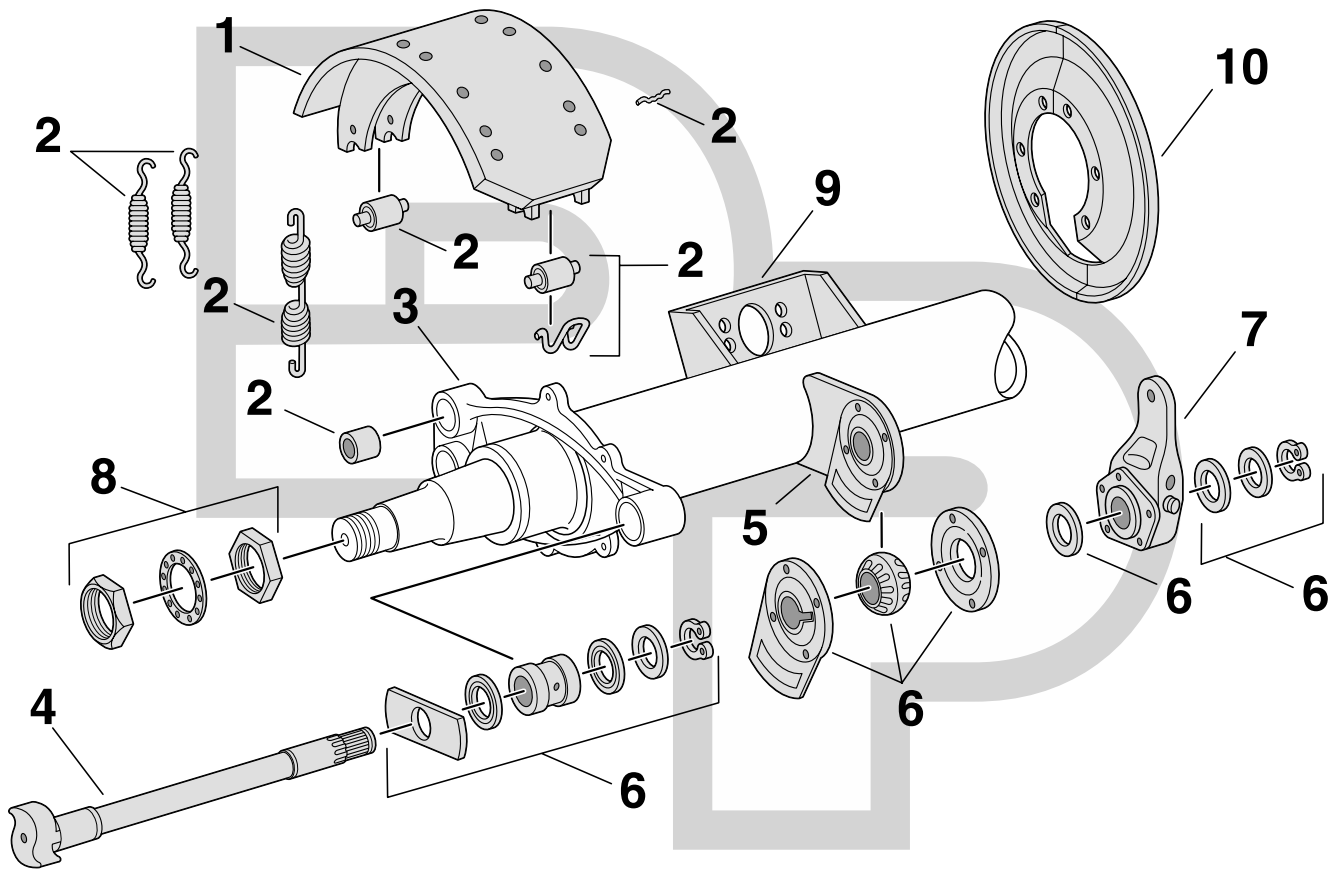




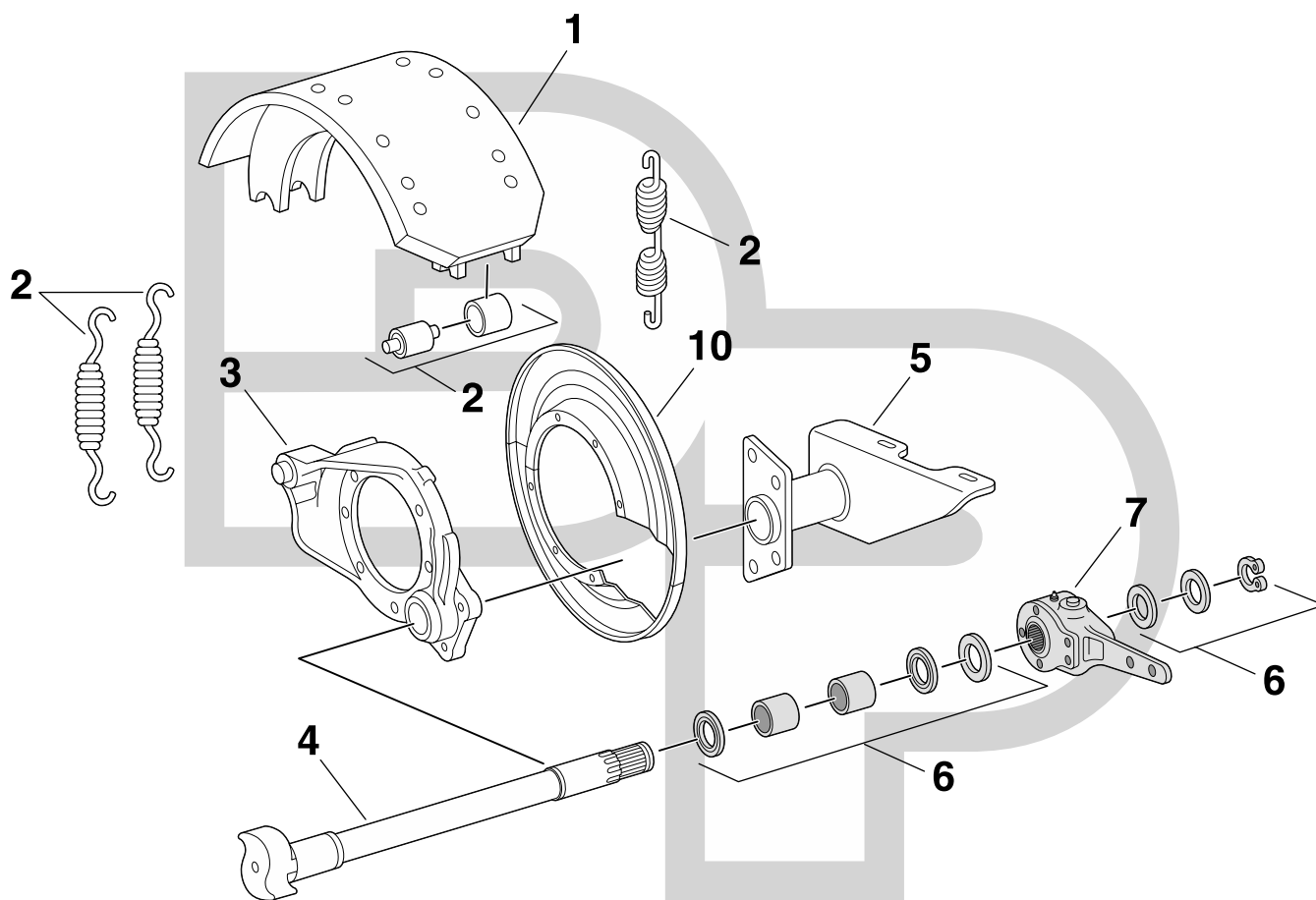
Key No.	Part Number	Description	No. Req.	Comments
1	◆	7" Unlined brake shoe	4	4515 brake block - U-Brake shoe no longer available, replace w/4515Q shoes & kits both wheel ends per axle
	20E4515Q	7" New lined shoe	4	20k economy grade, Marathon MV20
	SB20E4515Q	New lined shoebox	2	(2) 20E4515Q shoes & (1) 4515Q30 kit
	20M4515Q	7" New lined shoe	4	20k medium grade, Marathon UB
	SB20M4515Q	New lined shoebox	2	(2) 20M4515Q shoes & (1) 4515Q30 kit
	21P4515Q	7" New lined shoe	4	21k premium grade, Marathon HS20
	SB21P4515Q	New lined shoebox	2	(2) 21P4515Q shoes & (1) 4515Q30 kit
	23E4515Q	7" New lined shoe	4	23k economy grade, Marathon MV23
	SB23E4515Q	New lined shoebox	2	(2) 23E4515Q shoes & (1) 4515Q30 kit
	23F4515Q	7" New lined shoe	4	23k fleet grade, Marathon FS23
	SB23F4515Q	New lined shoebox	2	(2) 23F4515Q shoes & (1) 4515Q30 kit
	23M4515Q	7" New lined shoe	4	23k medium grade, Marathon FLOE
	SB23M4515Q	New lined shoebox	2	(2) 23M4515Q shoes & (1) 4515Q30 kit
	23P4515Q	7" New lined shoe	4	23k premium grade, Marathon HS
	SB23P4515Q	New lined shoebox	2	(2) 23P4515Q shoes & (1) 4515Q30 kit
	23DS4515Q	7" New lined shoe	4	23k standard grade, Dayton Parts DS23
	SB23DS4515Q	New lined shoebox	2	(2) 23DS4515Q shoes & (1) 4515Q30 kit
	23DP4515Q	7" New lined shoe	4	23k premium grade, Dayton Parts DP23
	SB23DP4515Q	New lined shoebox	2	(2) 23DP4515Q shoes & (1) 4515Q30 kit
2	08-108830	OE Equivalent brake kit	2	1 1/4" roller - heavy duty return spring - Q shoe
	4515Q30	Cost-Plus brake kit	2	1 1/4" roller - heavy duty return spring - Q shoe
3	◆	Spider	2	Weld on spider not available
4	Chart	Camshaft	2	1 1/2" spider journal, 1 1/2"-28 spline, see cam section 16 1/2" Dana MG58
5	03-114	Camshaft support bracket	2	Spherical support w/03-208 support bushing - 4 bolt retainer plate
6	08-132110	Camshaft kit	1	Sintered metal spider bushing w/03-208 support bushing - 4 bolt retainer plate
7	05-238	Manual slack	2	1 1/2"-28 spline, 6" straight arm
	05-262	Manual slack - HD	2	1 1/2"-28 spline, 6" straight arm
	05-462	Automatic slack	2	1 1/2"-28 spline, 6" straight arm - Bendix replacement
	05-562	Automatic slack	2	1 1/2"-28 spline, 6" straight arm - Crewson replacement
	05-762	Automatic slack	2	1 1/2"-28 spline, 6" straight arm - Gunite replacement
	05-662	Automatic slack	2	1 1/2"-28 spline, 6" straight arm - Haldex replacement
	05-362	Automatic slack	2	1 1/2"-28 spline, 6" straight arm - Meritor replacement
8	—	Axle nut assembly	2	See 213 catalog
9	Chart	Air chamber bracket	2	See air chamber bracket section
10	02-507HD	Dust shield	2	Bolts to the spider



Key No.	Part Number	Description	No. Req.	Comments
1	◆	7" Unlined brake shoe	4	4701 brake block on a 4515Q shoe - 4701 block no longer available, replace w/4707QP shoes & kits both wheel ends per axle
	20E4707QP	7" New lined shoe	4	20k economy grade, Marathon MV20
	SB20E4707QP	New lined shoebox	2	(2) 20E4707QP shoes & (1) 4515Q30 kit
	20M4707QP	7" New lined shoe	4	20k medium grade, Marathon UB
	SB20M4707QP	New lined shoebox	2	(2) 20M4707QP shoes & (1) 4515Q30 kit
	21P4707QP	7" New lined shoe	4	21k premium grade, Marathon HS20
	SB21P4707QP	New lined shoebox	2	(2) 21P4707QP shoes & (1) 4515Q30 kit
	23E4707QP	7" New lined shoe	4	23k economy grade, Marathon MV23
	SB23E4707QP	New lined shoebox	2	(2) 23E4707QP shoes & (1) 4515Q30 kit
	23F4707QP	7" New lined shoe	4	23k fleet grade, Marathon FS23
	SB23F4707QP	New lined shoebox	2	(2) 23F4707QP shoes & (1) 4515Q30 kit
	23M4707QP	7" New lined shoe	4	23k medium grade, Marathon FLOE
	SB23M4707QP	New lined shoebox	2	(2) 23M4707QP shoes & (1) 4515Q30 kit
	23P4707QP	7" New lined shoe	4	23k premium grade, Marathon HS
	SB23P4707QP	New lined shoebox	2	(2) 23P4707QP shoes & (1) 4515Q30 kit
	23S4707QP	7" New lined shoe	4	23k semi-met combo, Marathon MBC
	SB23S4707QP	New lined shoebox	2	(2) 23S4707QP shoes & (1) 4515Q30 kit
	21CV4707QP	7" New lined shoe	4	21k commercial vehicle grade, Dayton Parts CV21
	SB21CV4707QP	New lined shoebox	2	(2) 21CV4707QP shoes & (1) 4515Q30 kit
	23CV4707QP	7" New lined shoe	4	23k commercial vehicle grade, Dayton Parts CV23
	SB23CV4707QP	New lined shoebox	2	(2) 23CV4707QP shoes & (1) 4515Q30 kit
	23DS4707QP	7" New lined shoe	4	23k standard grade, Dayton Parts DS23
	SB23DS4707QP	New lined shoebox	2	(2) 23DS4707QP shoes & (1) 4515Q30 kit
	23DP4707QP	7" New lined shoe	4	23k premium grade, Dayton Parts DP23
	SB23DP4707QP	New lined shoebox	2	(2) 23DP4707QP shoes & (1) 4515Q30 kit
2	08-108830	OE Equivalent brake kit	2	1 1/4" roller - heavy duty return spring - QP shoe
	4515Q30	Cost-Plus brake kit	2	1 1/4" roller - heavy duty return spring - QP shoe
3	◆	Spider	2	Weld on spider not available
4	Chart	Camshaft	2	1 1/2" spider journal, 1 1/2"-10 spline, see cam section 16 1/2" Dana MG59
	Chart	Camshaft	2	1 1/2" spider journal, 1 1/2"-28 spline, see cam section 16 1/2" Dana MG60
5	03-114	Camshaft support bracket	2	Spherical support w/03-208 support bushing - 4 bolt retainer plate
6	08-132110	Camshaft kit	1	Sintered metal spider bushing w/03-208 support bushing - 4 bolt retainer plate
7	05-203	Manual slack	2	1 1/2"-10 spline, 6" straight arm - MG59 cam
	05-260	Manual slack - HD	2	1 1/2"-10 spline, 6" straight arm - MG59 cam
	05-460	Automatic slack	2	1 1/2"-10 spline, 6" straight arm - Bendix replacement - MG59 cam
	05-560	Automatic slack	2	1 1/2"-10 spline, 6" straight arm - Crewson replacement - MG59 cam
	05-760	Automatic slack	2	1 1/2"-10 spline, 6" straight arm - Gunitite replacement - MG59 cam
	05-660	Automatic slack	2	1 1/2"-10 spline, 6" straight arm - Haldex replacement - MG59 cam
	05-360	Automatic slack	2	1 1/2"-10 spline, 6" straight arm - Meritor replacement - MG59 cam
	05-238	Manual slack	2	1 1/2"-28 spline, 6" straight arm - MG60 cam
	05-262	Manual slack - HD	2	1 1/2"-28 spline, 6" straight arm - MG60 cam
	05-462	Automatic slack	2	1 1/2"-28 spline, 6" straight arm - Bendix replacement - MG60 cam
	05-562	Automatic slack	2	1 1/2"-28 spline, 6" straight arm - Crewson replacement - MG60 cam
	05-762	Automatic slack	2	1 1/2"-28 spline, 6" straight arm - Gunitite replacement - MG60 cam
	05-662	Automatic slack	2	1 1/2"-28 spline, 6" straight arm - Haldex replacement - MG60 cam
	05-362	Automatic slack	2	1 1/2"-28 spline, 6" straight arm - Meritor replacement - MG60 cam
8	—	Axle nut assembly	2	See 213 catalog
9	Chart	Air chamber bracket	2	See air chamber bracket section
10	02-507HD	Dust shield	2	Bolts to the spider



Key No.	Part Number	Description	No. Req.	Comments	
1	4707QP	7" Unlined brake shoe	4	4707 brake block - 4707QP shoe available lined only	
	20E4707QP	7" New lined shoe	4	20k economy grade, Marathon MV20	
	SB20E4707QP	New lined shoebox	2	(2) 20E4707QP shoes & (1) 4515Q30 kit	
	20M4707QP	7" New lined shoe	4	20k medium grade, Marathon UB	
	SB20M4707QP	New lined shoebox	2	(2) 20M4707QP shoes & (1) 4515Q30 kit	
	21P4707QP	7" New lined shoe	4	21k premium grade, Marathon HS20	
	SB21P4707QP	New lined shoebox	2	(2) 21P4707QP shoes & (1) 4515Q30 kit	
	23E4707QP	7" New lined shoe	4	23k economy grade, Marathon MV23	
	SB23E4707QP	New lined shoebox	2	(2) 23E4707QP shoes & (1) 4515Q30 kit	
	23F4707QP	7" New lined shoe	4	23k fleet grade, Marathon FS23	
	SB23F4707QP	New lined shoebox	2	(2) 23F4707QP shoes & (1) 4515Q30 kit	
	23M4707QP	7" New lined shoe	4	23k medium grade, Marathon FLOE	
	SB23M4707QP	New lined shoebox	2	(2) 23M4707QP shoes & (1) 4515Q30 kit	
	23P4707QP	7" New lined shoe	4	23k premium grade, Marathon HS	
	SB23P4707QP	New lined shoebox	2	(2) 23P4707QP shoes & (1) 4515Q30 kit	
	23S4707QP	7" New lined shoe	4	23k semi-met combo, Marathon MBC	
	SB23S4707QP	New lined shoebox	2	(2) 23S4707QP shoes & (1) 4515Q30 kit	
	21CV4707QP	7" New lined shoe	4	21k commercial vehicle grade, Dayton Parts CV21	
	SB21CV4707QP	New lined shoebox	2	(2) 21CV4707QP shoes & (1) 4515Q30 kit	
	2	08-108830	OE Equivalent brake kit	2	1 1/4" roller - heavy duty return spring
4515Q30		Cost-Plus brake kit	2	1 1/4" roller - heavy duty return spring	
◆		Spider	2	Weld on spider not available	
4		Chart	Camshaft	2	1 5/8" spider journal, 1 1/2"-10 spline, see cam section 16 1/2" Dana MG55
		Chart	Camshaft	2	1 5/8" spider journal, 1 1/2"-28 spline, see cam section 16 1/2" Dana MG56
5		03-114	Camshaft support bracket	2	Spherical support w/03-208 support bushing - 4 bolt retainer plate
		03-1141	Camshaft support bracket	1	Spherical support w/03-2081 RH support bushing assy - May 98 & after
		03-1142	Camshaft support bracket	1	Spherical support w/03-2082 LH support bushing assy - May 98 & after
6		08-132800	Camshaft kit	1	Sintered metal spider bushing w/03-208 support bushing - Aug 95 to May 98
		08-132801	Camshaft kit	1	Sintered metal spider bushing w/03-2081 support bushings - May 98 & after
	08-132802	Camshaft kit	1	Sintered metal spider bushing w/03-2082 support bushings - May 98 & after	
	08-132803	Camshaft kit	1	Sintered metal spider bushing w/03-2081 & 03-2082 support bushings - May 98 & after	
7	05-460	Automatic slack	2	1 1/2"-10 spline, 6" straight arm - Bendix replacement - MG55 cam	
	05-560	Automatic slack	2	1 1/2"-10 spline, 6" straight arm - Crewson replacement - MG55 cam	
	05-760	Automatic slack	2	1 1/2"-10 spline, 6" straight arm - Gunitite replacement - MG55 cam	
	05-660	Automatic slack	2	1 1/2"-10 spline, 6" straight arm - Haldex replacement - MG55 cam	
	05-360	Automatic slack	2	1 1/2"-10 spline, 6" straight arm - Meritor replacement - MG55 cam	
	05-462	Automatic slack	2	1 1/2"-28 spline, 6" straight arm - Bendix replacement - MG56 cam	
	05-562	Automatic slack	2	1 1/2"-28 spline, 6" straight arm - Crewson replacement - MG56 cam	
	05-762	Automatic slack	2	1 1/2"-28 spline, 6" straight arm - Gunitite replacement - MG56 cam	
8	05-662	Automatic slack	2	1 1/2"-28 spline, 6" straight arm - Haldex replacement - MG56 cam	
	05-362	Automatic slack	2	1 1/2"-28 spline, 6" straight arm - Meritor replacement - MG56 cam	
8	—	Axle nut assembly	2	See 213 catalog	
9	Chart	Air chamber bracket	2	See air chamber bracket section	
10	02-507HD	Dust shield	2	Bolts to the spider	



Note: On high mount shoes, the return spring pin does not line up with the hole in the opposite web.

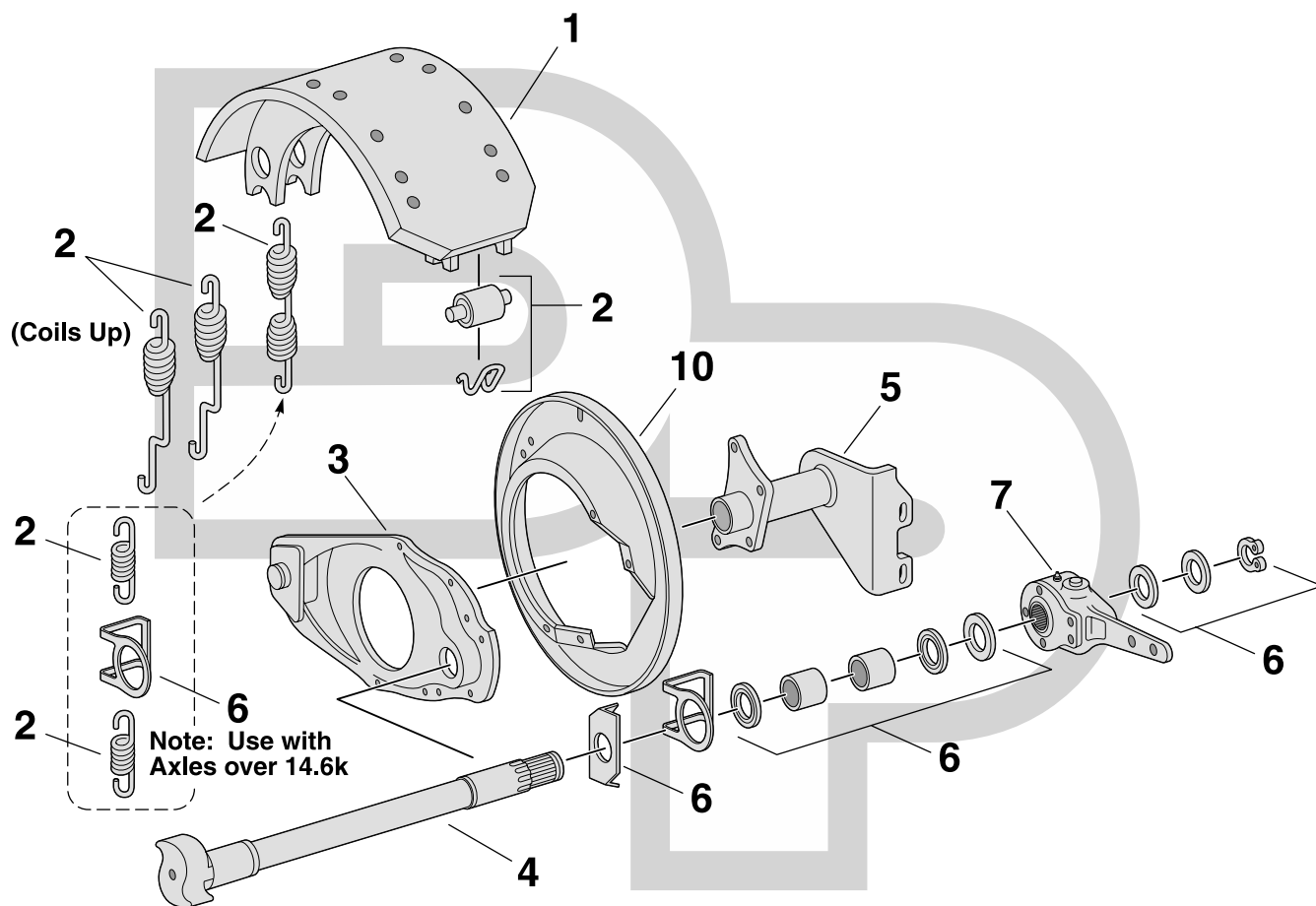


# Steer axle - EB series high mount shoe

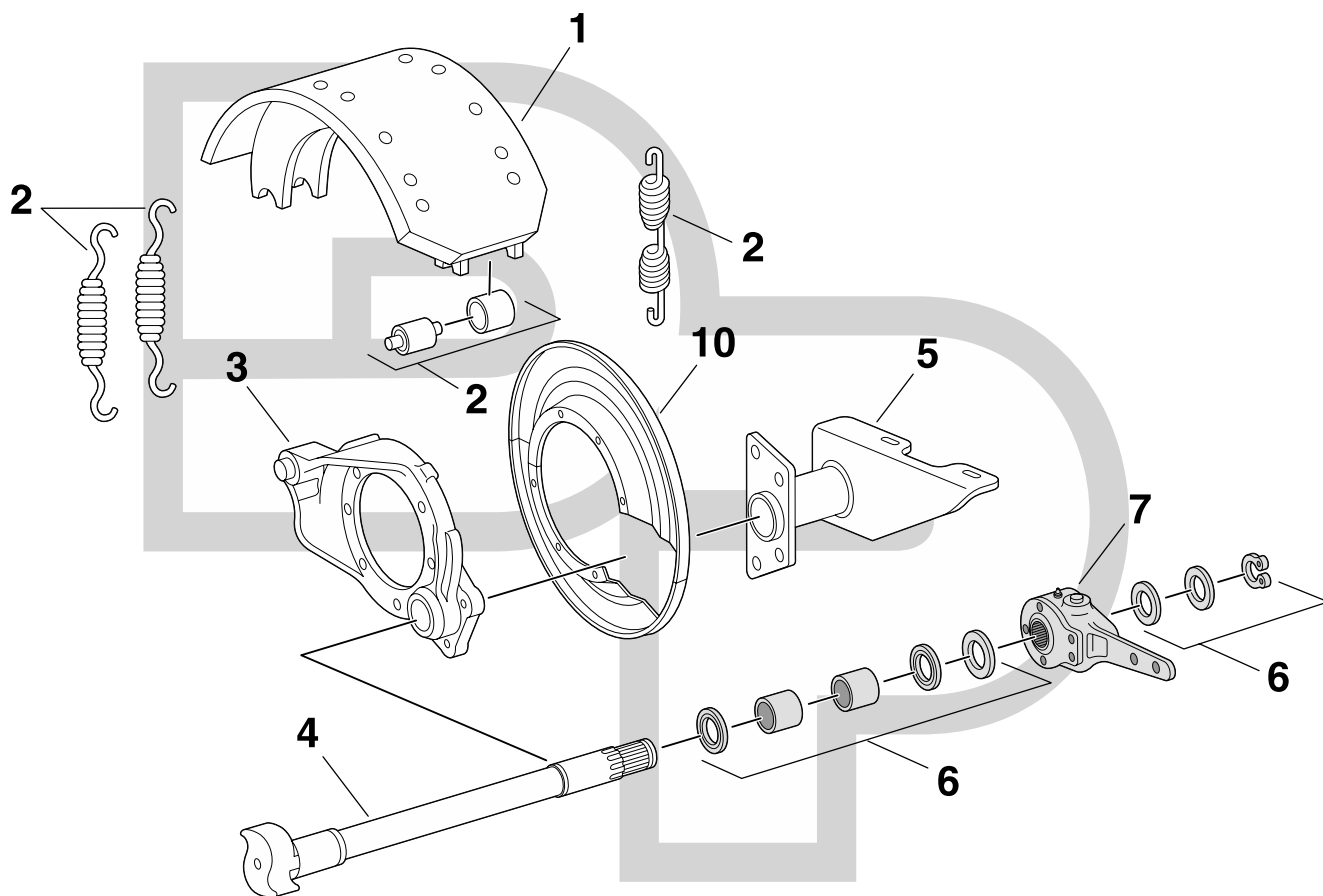
# 16 1/2" Eaton

Schematics

Key No.	Part Number	Description	No. Req.	Comments
1	◆	5" Unlined brake shoe	4	4223A brake block - EB high mount shoe no longer available, replace w/4719E2 shoes & kits w/MG39 cams both wheel ends per axle
	21P4719E2	5" New lined shoe	4	21k premium grade, Marathon HS20
	SB21P4719E2S	New lined shoebox	2	(2) 21P4719E2 shoes & (1) 470920 kit
	23M4719E2	5" New lined shoe	4	23k medium grade, Marathon FLOE
	SB23M4719E2S	New lined shoebox	2	(2) 23M4719E2 shoes & (1) 470920 kit
	21CV4719E2	5" New lined shoe	4	21k commercial vehicle grade, Dayton Parts CV21
	SB21CV4719E2S	New lined shoebox	2	(2) 21CV4719E2 shoes & (1) 470920 kit
	23CV4719E2	5" New lined shoe	4	23k commercial vehicle grade, Dayton Parts CV23
	SB23CV4719E2S	New lined shoebox	2	(2) 23CV4719E2 shoes & (1) 470920 kit
	23DS4719E2	5" New lined shoe	4	23k standard grade, Dayton Parts DS23
	SB23DS4719E2S	New lined shoebox	2	(2) 23DS4719E2 shoes & (1) 470920 kit
	23DP4719E2	5" New lined shoe	4	23k premium grade, Dayton Parts DP23
	SB23DP4719E2S	New lined shoebox	2	(2) 23DP4719E2 shoes & (1) 470920 kit
	◆	6" Unlined brake shoe	4	4317 brake block - EB high mount shoe no longer available, replace w/4725E2 shoes & kits w/MG39 cams both wheel ends per axle
	21P4725E2	6" New lined shoe	4	21k premium grade, Marathon HS20
	SB21P4725E2S	New lined shoebox	2	(2) 21P4725E2 shoes & (1) 470920 kit
	23M4725E2	6" New lined shoe	4	23k medium grade, Marathon FLOE
	SB23M4725E2S	New lined shoebox	2	(2) 23M4725E2 shoes & (1) 470920 kit
	21CV4725E2	6" New lined shoe	4	21k commercial vehicle grade, Dayton Parts CV21
	SB21CV4725E2S	New lined shoebox	2	(2) 21CV4725E2 shoes & (1) 470920 kit
	23CV4725E2	6" New lined shoe	4	23k commercial vehicle grade, Dayton Parts CV23
	SB23CV4725E2S	New lined shoebox	2	(2) 23CV4725E2 shoes & (1) 470920 kit
	23DS4725E2	6" New lined shoe	4	23k standard grade, Dayton Parts DS23
	SB23DS4725E2S	New lined shoebox	2	(2) 23DS4725E2 shoes & (1) 470920 kit
	23DP4725E2	6" New lined shoe	4	23k premium grade, Dayton Parts DP23
	SB23DP4725E2S	New lined shoebox	2	(2) 23DP4725E2 shoes & (1) 470920 kit
2	08-114920	OE Equivalent brake kit	2	1 1/4" roller - (2) 01-340 return springs, use w/02-362 return spring collar - E2 shoe
	470920	Cost-Plus brake kit	2	1 1/4" roller - (2) 01-340 return springs, use w/02-362 return spring collar - E2 shoe
3	◆	Spider	2	Not available
4	Chart	Camshaft	2	1 1/2" spider journal, 1 1/2"-10 spline - MG37 cams no longer available, replace w/MG39 cams both wheel ends per axle
5	◆	Camshaft support tube	2	Not available
6	02-362	Return spring collar	1	Use in place of the cam head washer w/(2) 01-340 return springs
	08-135101	Camshaft kit	1	Nylatron spider bushing - MG39 cam
	08-135111	Camshaft kit	1	Sintered metal spider bushing - MG39 cam
7	05-226	Manual slack	2	1 1/2"-10 spline, 5 1/2" offset arm - 5/8" RH
	05-227	Manual slack	2	1 1/2"-10 spline, 5 1/2" offset arm - 5/8" LH
	05-201	Manual slack	2	1 1/2"-10 spline, 5 1/2" straight arm
	05-461	Automatic slack	2	1 1/2"-10 spline, 5 1/2" straight arm - Bendix replacement
	05-561	Automatic slack	2	1 1/2"-10 spline, 5 1/2" straight arm - Crewson replacement
	05-761	Automatic slack	2	1 1/2"-10 spline, 5 1/2" straight arm - Gunite replacement
	05-361	Automatic slack	2	1 1/2"-10 spline, 5 1/2" straight arm - Meritor replacement
8	—	Axle nut assembly	2	See 213 catalog, Not Shown
10	◆	Dust shield	2	Not available



Key No.	Part Number	Description	No. Req.	Comments	
1	4719E2	5" Unlined brake shoe	4	4719 brake block - 4719E2 shoe available lined only	
	21P4719E2	5" New lined shoe	4	21k premium grade, Marathon HS20	
	SB21P4719E2	New lined shoebox	2	(2) 21P4719E2 shoes & (1) 470902 kit	
	SB21P4719E2S	New lined shoebox	2	(2) 21P4719E2 shoes & (1) 470920 kit - axles over 14.6k	
	23M4719E2	5" New lined shoe	4	23k medium grade, Marathon FLOE	
	SB23M4719E2	New lined shoebox	2	(2) 23M4719E2 shoes & (1) 470902 kit	
	SB23M4719E2S	New lined shoebox	2	(2) 23M4719E2 shoes & (1) 470920 kit - axles over 14.6k	
	21CV4719E2	5" New lined shoe	4	21k commercial vehicle grade, Dayton Parts CV21	
	SB21CV4719E2	New lined shoebox	2	(2) 21CV4719E2 shoes & (1) 470902 kit	
	SB21CV4719E2S	New lined shoebox	2	(2) 21CV4719E2 shoes & (1) 470920 kit - axles over 14.6k	
	23CV4719E2	5" New lined shoe	4	23k commercial vehicle grade, Dayton Parts CV23	
	SB23CV4719E2	New lined shoebox	2	(2) 23CV4719E2 shoes & (1) 470902 kit	
	SB23CV4719E2S	New lined shoebox	2	(2) 23CV4719E2 shoes & (1) 470920 kit - axles over 14.6k	
	23DS4719E2	5" New lined shoe	4	23k standard grade, Dayton Parts DS23	
	SB23DS4719E2	New lined shoebox	2	(2) 23DS4719E2 shoes & (1) 470902 kit	
	SB23DS4719E2S	New lined shoebox	2	(2) 23DS4719E2 shoes & (1) 470920 kit - axles over 14.6k	
	23DP4719E2	5" New lined shoe	4	23k premium grade, Dayton Parts DP23	
	SB23DP4719E2	New lined shoebox	2	(2) 23DP4719E2 shoes & (1) 470902 kit	
	SB23DP4719E2S	New lined shoebox	2	(2) 23DP4719E2 shoes & (1) 470920 kit - axles over 14.6k	
	4725E2	6" Unlined brake shoe	4	4725 brake block - 4725E2 shoe available lined only	
	21P4725E2	6" New lined shoe	4	21k premium grade, Marathon HS20	
	SB21P4725E2	New lined shoebox	2	(2) 21P4725E2 shoes & (1) 470902 kit	
	SB21P4725E2S	New lined shoebox	2	(2) 21P4725E2 shoes & (1) 470920 kit - axles over 14.6k	
	23M4725E2	6" New lined shoe	4	23k medium grade, Marathon FLOE	
	SB23M4725E2	New lined shoebox	2	(2) 23M4725E2 shoes & (1) 470902 kit	
	SB23M4725E2S	New lined shoebox	2	(2) 23M4725E2 shoes & (1) 470920 kit - axles over 14.6k	
	21CV4725E2	6" New lined shoe	4	21k commercial vehicle grade, Dayton Parts CV21	
	SB21CV4725E2	New lined shoebox	2	(2) 21CV4725E2 shoes & (1) 470902 kit	
	SB21CV4725E2S	New lined shoebox	2	(2) 21CV4725E2 shoes & (1) 470920 kit - axles over 14.6k	
	23CV4725E2	6" New lined shoe	4	23k commercial vehicle grade, Dayton Parts CV23	
	SB23CV4725E2	New lined shoebox	2	(2) 23CV4725E2 shoes & (1) 470902 kit	
	SB23CV4725E2S	New lined shoebox	2	(2) 23CV4725E2 shoes & (1) 470920 kit - axles over 14.6k	
	23DS4725E2	6" New lined shoe	4	23k standard grade, Dayton Parts DS23	
	SB23DS4725E2	New lined shoebox	2	(2) 23DS4725E2 shoes & (1) 470902 kit	
	SB23DS4725E2S	New lined shoebox	2	(2) 23DS4725E2 shoes & (1) 470920 kit - axles over 14.6k	
	23DP4725E2	6" New lined shoe	4	23k premium grade, Dayton Parts DP23	
	SB23DP4725E2	New lined shoebox	2	(2) 23DP4725E2 shoes & (1) 470902 kit	
	SB23DP4725E2S	New lined shoebox	2	(2) 23DP4725E2 shoes & (1) 470920 kit - axles over 14.6k	
	2	08-114900	OE Equivalent brake kit	2	1 1/4" roller - 01-3864 return spring
		08-114920	OE Equivalent brake kit	2	1 1/4" roller - (2) 01-340 return springs, use w/02-362 return spring collar
470902		Cost-Plus brake kit	2	1 1/4" roller - 01-3864 return spring	
470920		Cost-Plus brake kit	2	1 1/4" roller - (2) 01-340 return springs, use w/02-362 return spring collar	
3	SP	Spider	2	Special order parts	
4	Chart	Camshaft	2	1 1/2" spider journal, 1 1/2"-10 spline, see cam section 16 1/2" Eaton MG39	
5	SP	Camshaft support tube	2	Special order part	
6	02-362	Return spring collar	1	Use in place of the cam head washer w/(2) 01-340 return springs - axles over 14.6k	
	08-135101	Camshaft kit	1	Nylatron spider bushing	
	08-135111	Camshaft kit	1	Sintered metal spider bushing	
7	05-461	Automatic slack	2	1 1/2"-10 spline, 5 1/2" straight arm - Bendix replacement	
	05-561	Automatic slack	2	1 1/2"-10 spline, 5 1/2" straight arm - Crewson replacement	
	05-761	Automatic slack	2	1 1/2"-10 spline, 5 1/2" straight arm - Gunitite replacement	
	05-361	Automatic slack	2	1 1/2"-10 spline, 5 1/2" straight arm - Meritor replacement	
8	—	Axle nut assembly	2	See 213 catalog, Not Shown	
9	02-362	Return spring collar	2	Bracket goes under cam head in place of cam head washer	
10	SP	Dust shield	2	Special order part	



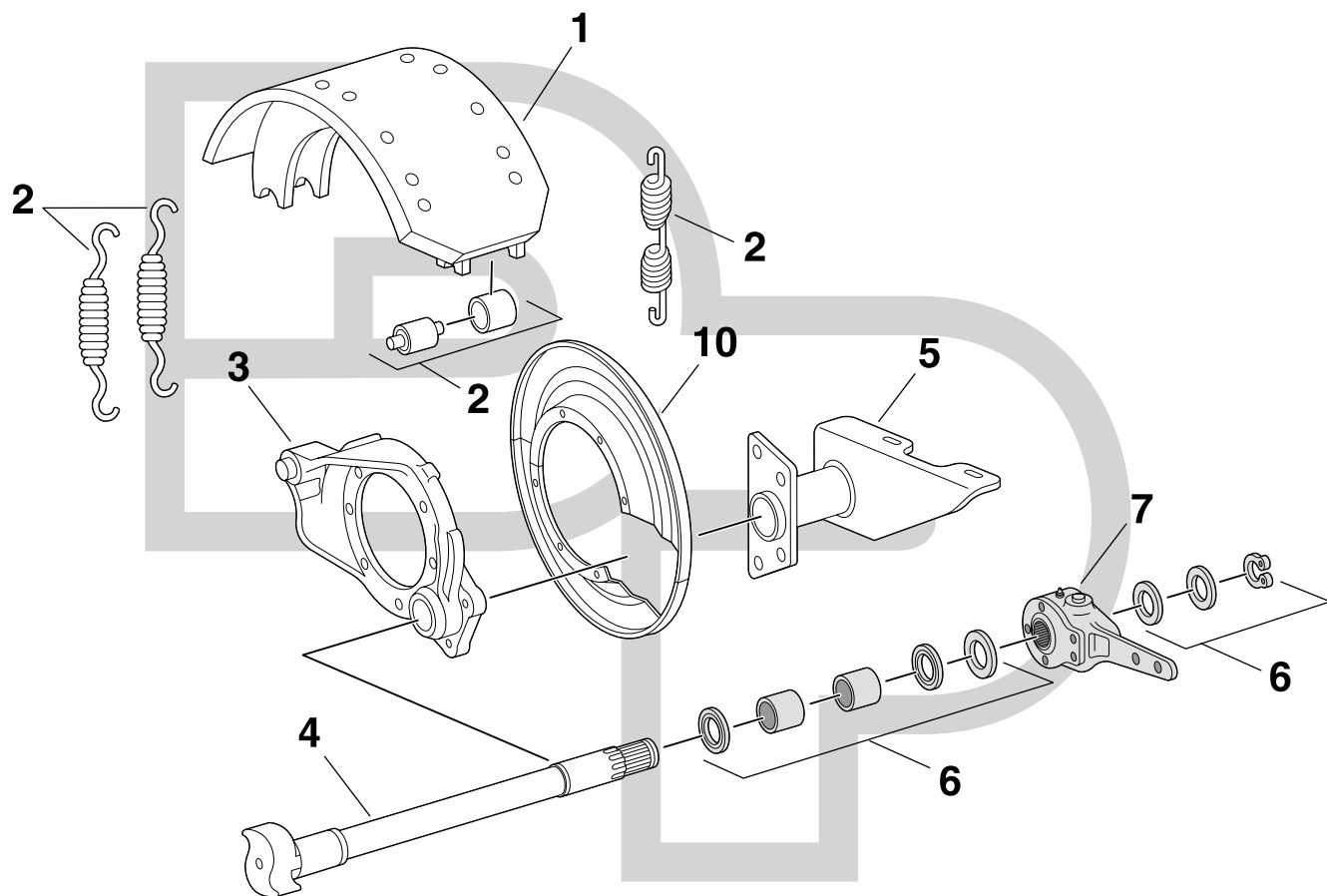
# Drive axle - EB series low mount shoe

# 16 1/2" Eaton

Schematics

Key No.	Part Number	Description	No. Req.	Comments
1	◆	6" Unlined brake shoe	4	4317G brake block - EB shoe no longer available, replace w/4725E2 shoes & kits w/MG39 cams both wheel ends per axle
	21P4725E2	6" New lined shoe	4	21k premium grade, Marathon HS20
	SB21P4725E2	New lined shoebox	2	(2) 21P4725E2 shoes & (1) 470902 kit
	23M4725E2	6" New lined shoe	4	23k medium grade, Marathon FLOE
	SB23M4725E2	New lined shoebox	2	(2) 23M4725E2 shoes & (1) 470902 kit
	21CV4725E2	6" New lined shoe	4	21k commercial vehicle grade, Dayton Parts CV21
	SB21CV4725E2	New lined shoebox	2	(2) 21CV4725E2 shoes & (1) 470902 kit
	23CV4725E2	6" New lined shoe	4	23k commercial vehicle grade, Dayton Parts CV23
	SB23CV4725E2	New lined shoebox	2	(2) 23CV4725E2 shoes & (1) 470902 kit
	23DS4725E2	6" New lined shoe	4	23k standard grade, Dayton Parts DS23
	SB23DS4725E2	New lined shoebox	2	(2) 23DS4725E2 shoes & (1) 470902 kit
	23DP4725E2	6" New lined shoe	4	23k premium grade, Dayton Parts DP23
	SB23DP4725E2	New lined shoebox	2	(2) 23DP4725E2 shoes & (1) 470902 kit
	◆	7" Unlined brake shoe	4	4311J brake block - EB shoe no longer available, replace w/4709E2 shoes & kits w/MG39 cams both wheel ends per axle
	21P4709E2	7" New lined shoe	4	21k premium grade, Marathon HS20
	SB21P4709E2	New lined shoebox	2	(2) 21P4709E2 shoes & (1) 470902 kit
	23E4709E2	7" New lined shoe	4	23k economy grade, Marathon MV23
	SB23E4709E2	New lined shoebox	2	(2) 23E4709E2 shoes & (1) 470902 kit
	23M4709E2	7" New lined shoe	4	23k medium grade, Marathon FLOE
	SB23M4709E2	New lined shoebox	2	(2) 23M4709E2 shoes & (1) 470902 kit
	23P4709E2	7" New lined shoe	4	23k premium grade, Marathon HS
	SB23P4709E2	New lined shoebox	2	(2) 23P4709E2 shoes & (1) 470902 kit
	23S4709E2	7" New lined shoe	4	23k semi-met combo, Marathon MBC
	SB23S4709E2	New lined shoebox	2	(2) 23S4709E2 shoes & (1) 470902 kit
	21CV4709E2	7" New lined shoe	4	21k commercial vehicle grade, Dayton Parts CV21
	SB21CV4709E2	New lined shoebox	2	(2) 21CV4709E2 shoes & (1) 470902 kit
	23CV4709E2	7" New lined shoe	4	23k commercial vehicle grade, Dayton Parts CV23
	SB23CV4709E2	New lined shoebox	2	(2) 23CV4709E2 shoes & (1) 470902 kit
	23DS4709E2	7" New lined shoe	4	23k standard grade, Dayton Parts DS23
	SB23DS4709E2	New lined shoebox	2	(2) 23DS4709E2 shoes & (1) 470902 kit
	23DP4709E2	7" New lined shoe	4	23k premium grade, Dayton Parts DP23
	SB23DP4709E2	New lined shoebox	2	(2) 23DP4709E2 shoes & (1) 470902 kit
	◆	8 5/8" Unlined brake shoe	4	4674 brake block - EB shoe no longer available, replace w/4726E2 shoes & kits w/MG39 cams both wheel ends per axle
	21P4726E2	8 5/8" New lined shoe	4	21k premium grade, Marathon HS20
	SB21P4726E2	New lined shoebox	2	(2) 21P4726E2 shoes & (1) 470902 kit
	23M4726E2	8 5/8" New lined shoe	4	23k medium grade, Marathon FLOE
	SB23M4726E2	New lined shoebox	2	(2) 23M4726E2 shoes & (1) 470902 kit
	21CV4726E2	8 5/8" New lined shoe	4	21k commercial vehicle grade, Dayton Parts CV21
	SB21CV4726E2	New lined shoebox	2	(2) 21CV4726E2 shoes & (1) 470902 kit
	23CV4726E2	8 5/8" New lined shoe	4	23k commercial vehicle grade, Dayton Parts CV23
	SB23CV4726E2	New lined shoebox	2	(2) 23CV4726E2 shoes & (1) 470902 kit
	23DS4726E2	8 5/8" New lined shoe	4	23k standard grade, Dayton Parts DS23
	SB23DS4726E2	New lined shoebox	2	(2) 23DS4726E2 shoes & (1) 470902 kit
	23DP4726E2	8 5/8" New lined shoe	4	23k premium grade, Dayton Parts DP23
	SB23DP4726E2	New lined shoebox	2	(2) 23DP4726E2 shoes & (1) 470902 kit

\*Continued on page 53



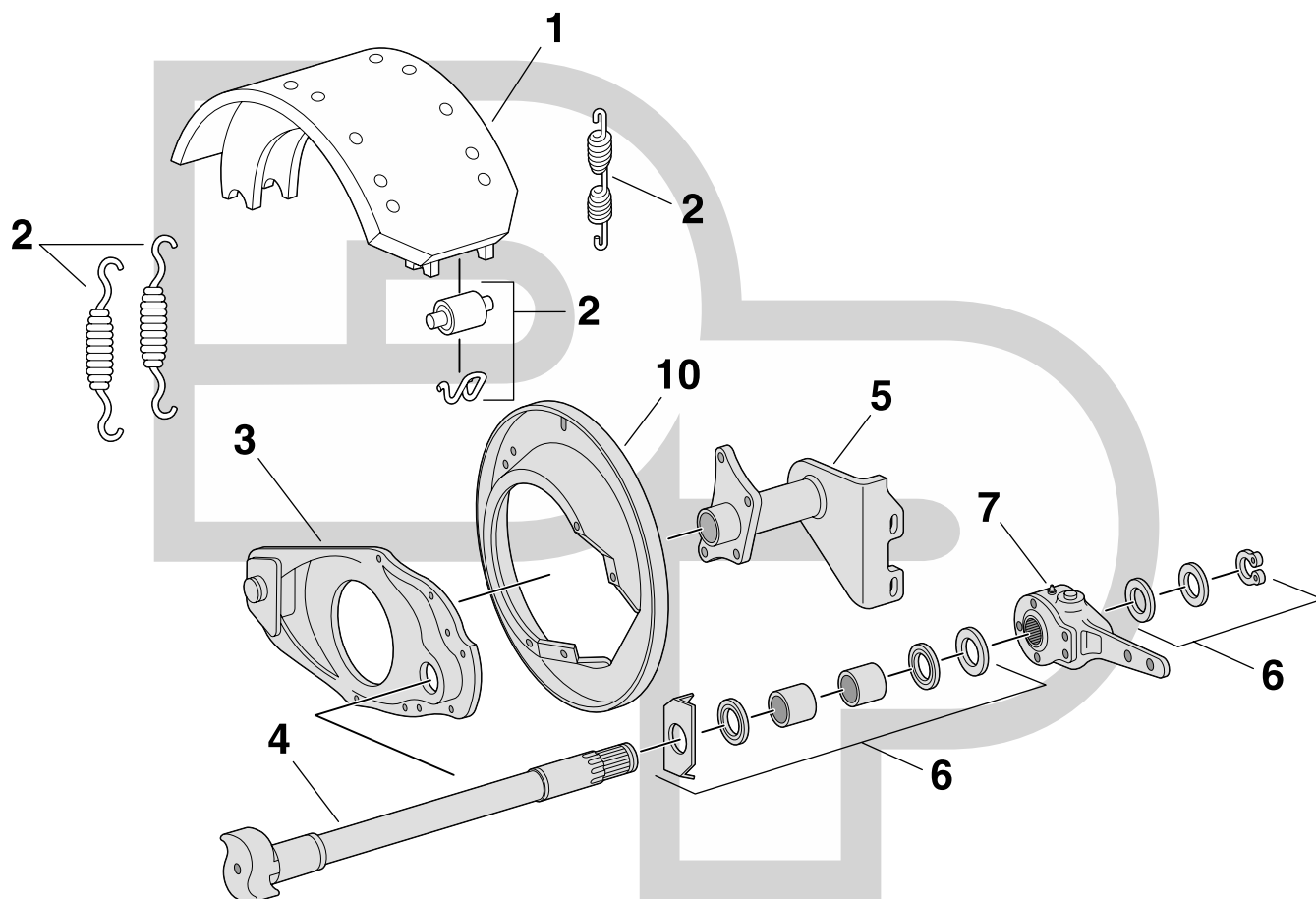


# Drive axle - EB series low mount shoe - continued

# 16 1/2" Eaton

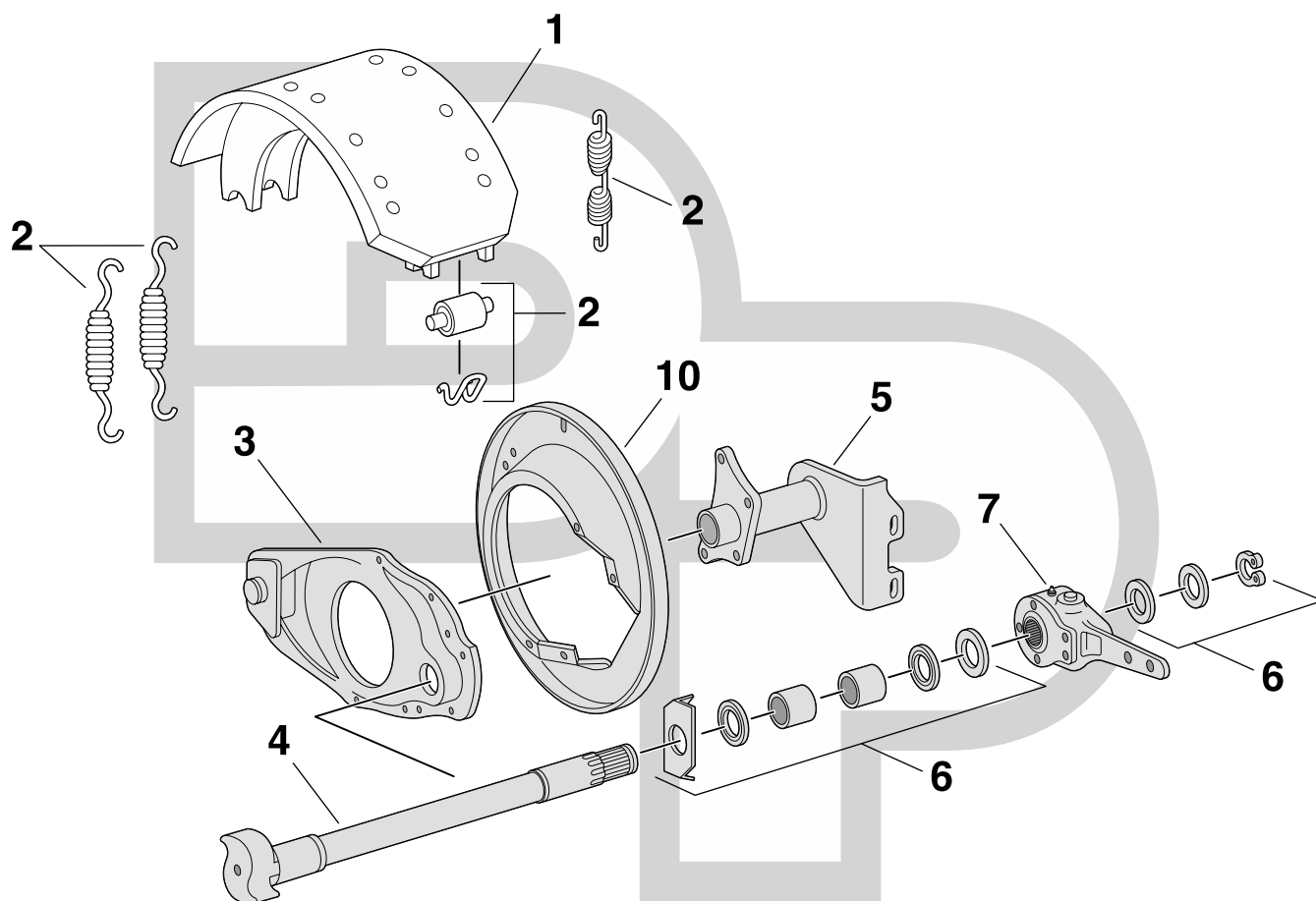
Schematics

Key No.	Part Number	Description	No. Req.	Comments
2	08-114900	OE Equivalent brake kit	2	1 1/4" roller - E2 shoe
	470902	Cost-Plus brake kit	2	1 1/4" roller - E2 shoe
3	◆	Spider	2	Not available
4	Chart	Camshaft	2	1 1/2" spider journal, 1 1/2"-10 spline - MG37 cams no longer available, replace w/MG39 cams both wheel ends per axle
5	◆	Camshaft support tube	2	Not available
6	08-135101	Camshaft kit	1	Nylatron spider bushing - MG39 cam
	08-135111	Camshaft kit	1	Sintered metal spider bushing - MG39 cam
7	05-226	Manual slack	2	1 1/2"-10 spline, 5 1/2" offset arm - 5/8" RH
	05-227	Manual slack	2	1 1/2"-10 spline, 5 1/2" offset arm - 5/8" LH
	05-201	Manual slack	2	1 1/2"-10 spline, 5 1/2" straight arm
	05-261	Manual slack - HD	2	1 1/2"-10 spline, 5 1/2" straight arm
	05-461	Automatic slack	2	1 1/2"-10 spline, 5 1/2" straight arm - Bendix replacement
	05-561	Automatic slack	2	1 1/2"-10 spline, 5 1/2" straight arm - Crewson replacement
	05-761	Automatic slack	2	1 1/2"-10 spline, 5 1/2" straight arm - Gunitite replacement
05-361	Automatic slack	2	1 1/2"-10 spline, 5 1/2" straight arm - Meritor replacement	
8	—	Axle nut assembly	2	See 213 catalog, Not Shown
10	◆	Dust shield	2	Not available



Key No.	Part Number	Description	No. Req.	Comments
1	◆	6" Unlined brake shoe	4	4725 brake block - ES shoe no longer available, replace w/4725E2 shoes & kits both wheel ends per axle
	21P4725E2	6" New lined shoe	4	21k premium grade, Marathon HS20
	SB21P4725E2	New lined shoebox	2	(2) 21P4725E2 shoes & (1) 470902 kit
	23M4725E2	6" New lined shoe	4	23k medium grade, Marathon FLOE
	SB23M4725E2	New lined shoebox	2	(2) 23M4725E2 shoes & (1) 470902 kit
	21CV4725E2	6" New lined shoe	4	21k commercial vehicle grade, Dayton Parts CV21
	SB21CV4725E2	New lined shoebox	2	(2) 21CV4725E2 shoes & (1) 470902 kit
	23CV4725E2	6" New lined shoe	4	23k commercial vehicle grade, Dayton Parts CV23
	SB23CV4725E2	New lined shoebox	2	(2) 23CV4725E2 shoes & (1) 470902 kit
	23DS4725E2	6" New lined shoe	4	23k standard grade, Dayton Parts DS23
	SB23DS4725E2	New lined shoebox	2	(2) 23DS4725E2 shoes & (1) 470902 kit
	23DP4725E2	6" New lined shoe	4	23k premium grade, Dayton Parts DP23
	SB23DP4725E2	New lined shoebox	2	(2) 23DP4725E2 shoes & (1) 470902 kit
	◆	7" Unlined brake shoe	4	4709 brake block - ES shoe no longer available, replace w/4709E2 shoes & kits both wheel ends per axle
	21P4709E2	7" New lined shoe	4	21k premium grade, Marathon HS20
	SB21P4709E2	New lined shoebox	2	(2) 21P4709E2 shoes & (1) 470902 kit
	23E4709E2	7" New lined shoe	4	23k economy grade, Marathon MV23
	SB23E4709E2	New lined shoebox	2	(2) 23E4709E2 shoes & (1) 470902 kit
	23M4709E2	7" New lined shoe	4	23k medium grade, Marathon FLOE
	SB23M4709E2	New lined shoebox	2	(2) 23M4709E2 shoes & (1) 470902 kit
	23P4709E2	7" New lined shoe	4	23k premium grade, Marathon HS
	SB23P4709E2	New lined shoebox	2	(2) 23P4709E2 shoes & (1) 470902 kit
	23S4709E2	7" New lined shoe	4	23k semi-met combo, Marathon MBC
	SB23S4709E2	New lined shoebox	2	(2) 23S4709E2 shoes & (1) 470902 kit
	21CV4709E2	7" New lined shoe	4	21k commercial vehicle grade, Dayton Parts CV21
	SB21CV4709E2	New lined shoebox	2	(2) 21CV4709E2 shoes & (1) 470902 kit
	23CV4709E2	7" New lined shoe	4	23k commercial vehicle grade, Dayton Parts CV23
	SB23CV4709E2	New lined shoebox	2	(2) 23CV4709E2 shoes & (1) 470902 kit
	23DS4709E2	7" New lined shoe	4	23k standard grade, Dayton Parts DS23
	SB23DS4709E2	New lined shoebox	2	(2) 23DS4709E2 shoes & (1) 470902 kit
	23DP4709E2	7" New lined shoe	4	23k premium grade, Dayton Parts DP23
	SB23DP4709E2	New lined shoebox	2	(2) 23DP4709E2 shoes & (1) 470902 kit
	◆	8 5/8" Unlined brake shoe	4	4726 brake block - ES shoe no longer available, replace w/4726E2 shoes & kits both wheel ends per axle
	21P4726E2	8 5/8" New lined shoe	4	21k premium grade, Marathon HS20
	SB21P4726E2	New lined shoebox	2	(2) 21P4726E2 shoes & (1) 470902 kit
	23M4726E2	8 5/8" New lined shoe	4	23k medium grade, Marathon FLOE
	SB23M4726E2	New lined shoebox	2	(2) 23M4726E2 shoes & (1) 470902 kit
	21CV4726E2	8 5/8" New lined shoe	4	21k commercial vehicle grade, Dayton Parts CV21
	SB21CV4726E2	New lined shoebox	2	(2) 21CV4726E2 shoes & (1) 470902 kit
	23CV4726E2	8 5/8" New lined shoe	4	23k commercial vehicle grade, Dayton Parts CV23
	SB23CV4726E2	New lined shoebox	2	(2) 23CV4726E2 shoes & (1) 470902 kit
	23DS4726E2	8 5/8" New lined shoe	4	23k standard grade, Dayton Parts DS23
	SB23DS4726E2	New lined shoebox	2	(2) 23DS4726E2 shoes & (1) 470902 kit
	23DP4726E2	8 5/8" New lined shoe	4	23k premium grade, Dayton Parts DP23
	SB23DP4726E2	New lined shoebox	2	(2) 23DP4726E2 shoes & (1) 470902 kit

\*Continued on page 57

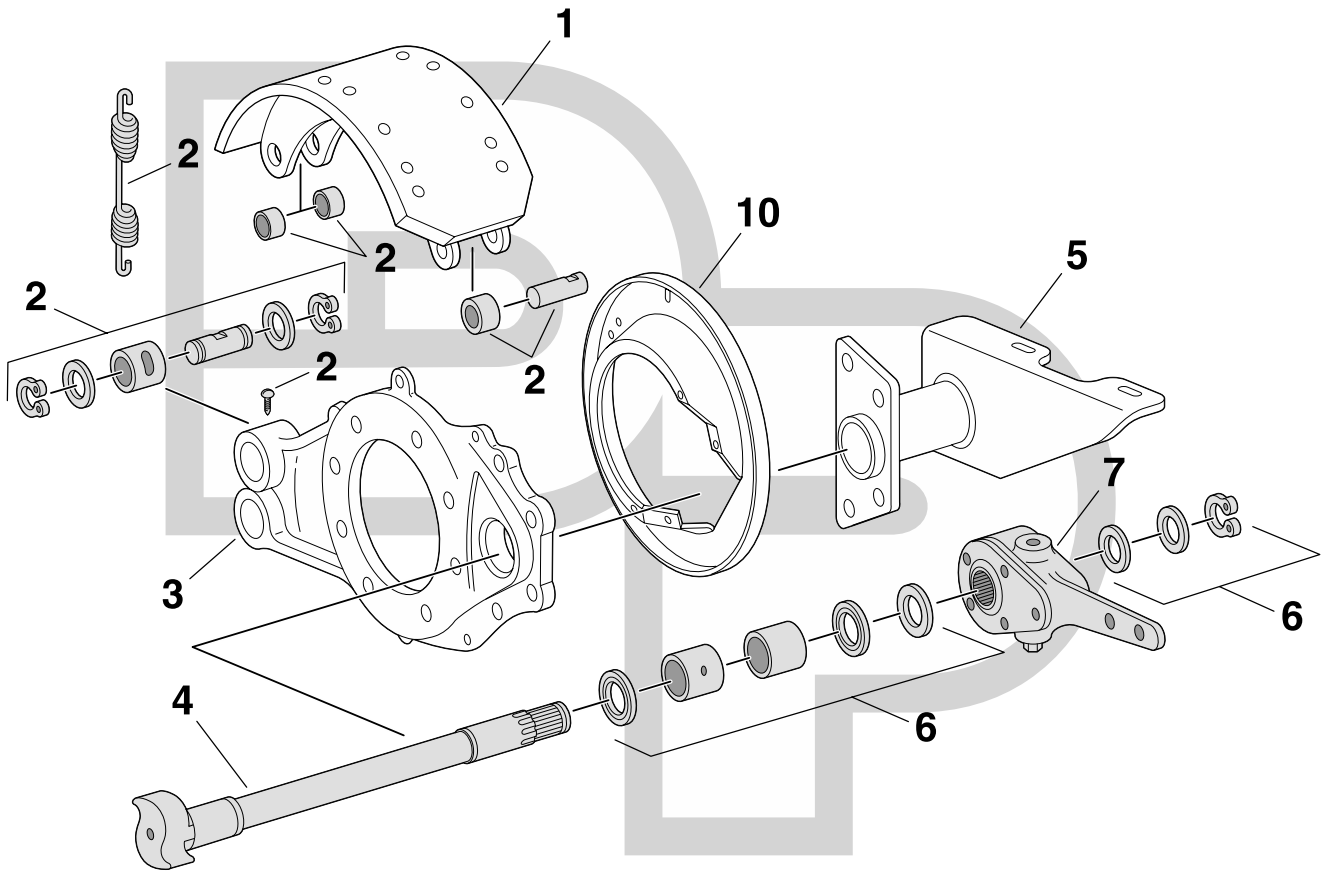


# Drive axle - ES series continued

# 16 1/2" Eaton

Schematics

Key No.	Part Number	Description	No. Req.	Comments
2	08-114900	OE Equivalent brake kit	2	1 1/4" roller - standard return spring - E2 shoe
	470902	Cost-Plus brake kit	2	1 1/4" roller - standard return spring - E2 shoe
3	SP	Spider	2	Special order part
4	Chart	Camshaft	2	1 1/2" spider journal, 1 1/2"-10 spline, see cam section 16 1/2" Eaton MG39
5	SP	Camshaft support tube	2	Special order part
6	08-135101	Camshaft kit	1	Nylatron spider bushing
	08-135111	Camshaft kit	1	Sintered metal spider bushing
7	05-226	Manual slack	2	1 1/2"-10 spline, 5 1/2" offset arm - 5/8" RH
	05-227	Manual slack	2	1 1/2"-10 spline, 5 1/2" offset arm - 5/8" LH
	05-201	Manual slack	2	1 1/2"-10 spline, 5 1/2" straight arm
	05-261	Manual slack - HD	2	1 1/2"-10 spline, 5 1/2" straight arm
	05-461	Automatic slack	2	1 1/2"-10 spline, 5 1/2" straight arm - Bendix replacement
	05-561	Automatic slack	2	1 1/2"-10 spline, 5 1/2" straight arm - Crewson replacement
	05-761	Automatic slack	2	1 1/2"-10 spline, 5 1/2" straight arm - Gunite replacement
	05-361	Automatic slack	2	1 1/2"-10 spline, 5 1/2" straight arm - Meritor replacement
8	—	Axle nut assembly	2	See 213 catalog, Not Shown
10	SP	Dust shield	2	Special order part



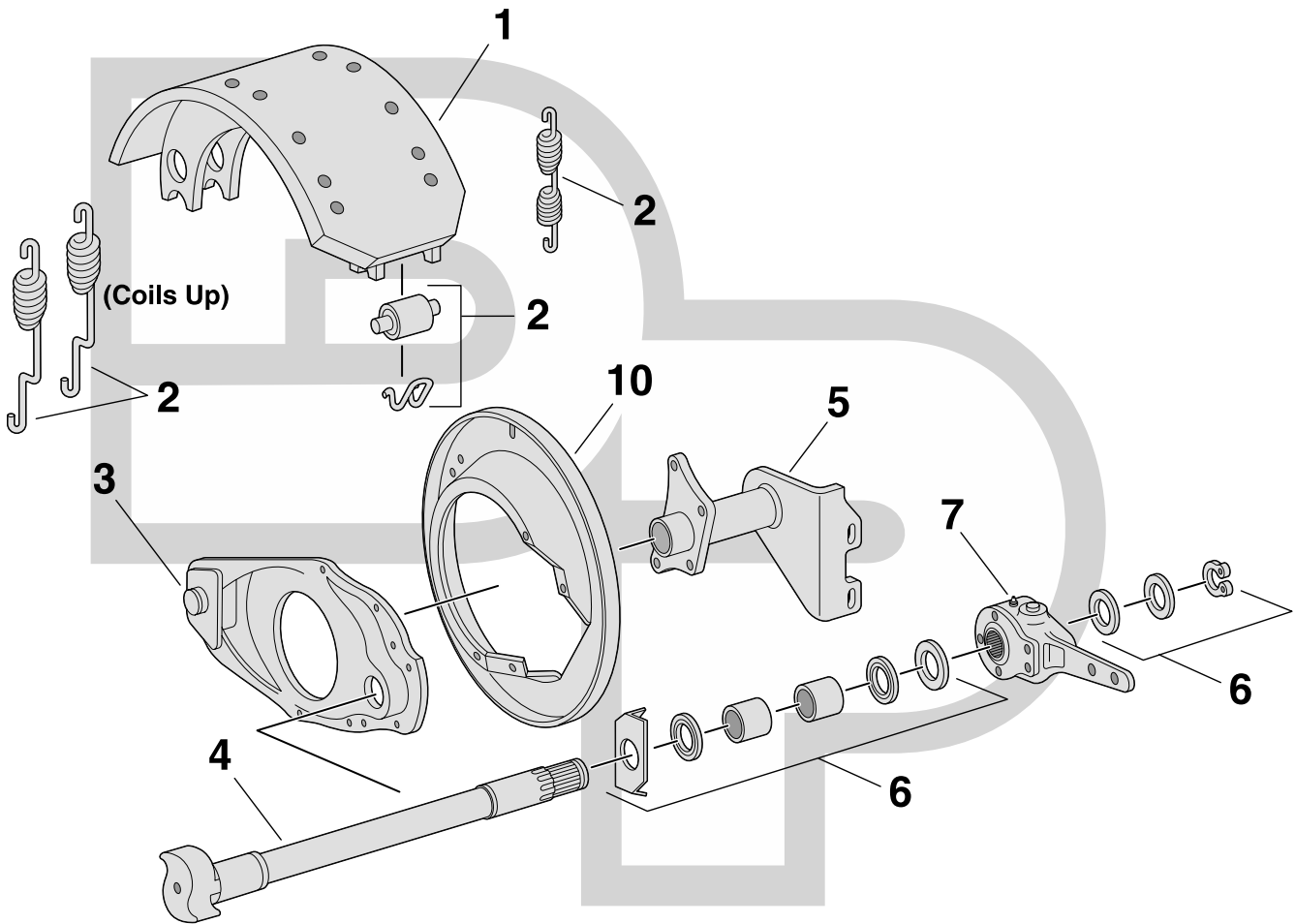
# Drive axle - ES series cast shoe

# 16 1/2" Eaton

Schematics

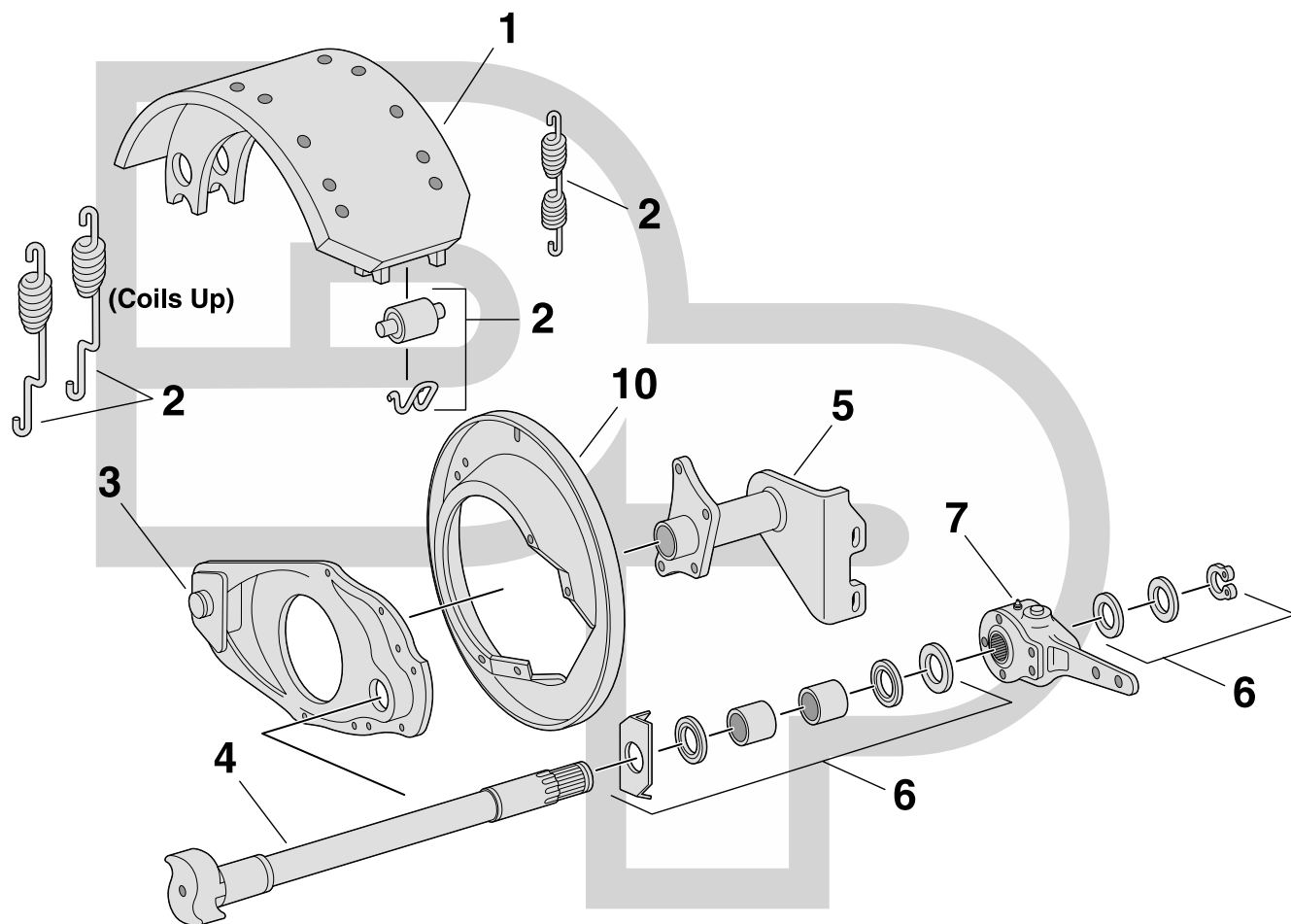
Key No.	Part Number	Description	No. Req.	Comments
1	◆	7" Unlined brake shoe	4	4708 brake block - ES cast shoe no longer available
2	<b>08-115700</b>	OE Equivalent brake kit	2	1 1/4" roller - standard return spring
	<b>08-115703</b>	OE Equivalent brake kit	2	1 1/4" roller - less rollers, roller pins & lock pins
3	◆	Spider	2	Not available
4	<b>Chart</b>	Camshaft	2	1 1/2" spider journal, 1 1/2"-10 spline, see cam section 16 1/2" Eaton MG39
5	◆	Camshaft support tube	2	Not available
6	<b>08-135111</b>	Camshaft kit	1	Sintered metal spider bushing
7	<b>05-226</b>	Manual slack	2	1 1/2"-10 spline, 5 1/2" offset arm - 5/8" RH
	<b>05-227</b>	Manual slack	2	1 1/2"-10 spline, 5 1/2" offset arm - 5/8" LH
	<b>05-201</b>	Manual slack	2	1 1/2"-10 spline, 5 1/2" straight arm
	<b>05-261</b>	Manual slack - HD	2	1 1/2"-10 spline, 5 1/2" straight arm
	<b>05-461</b>	Automatic slack	2	1 1/2"-10 spline, 5 1/2" straight arm - Bendix replacement
	<b>05-561</b>	Automatic slack	2	1 1/2"-10 spline, 5 1/2" straight arm - Crewson replacement
	<b>05-761</b>	Automatic slack	2	1 1/2"-10 spline, 5 1/2" straight arm - Gunite replacement
	<b>05-361</b>	Automatic slack	2	1 1/2"-10 spline, 5 1/2" straight arm - Meritor replacement
8	—	Axle nut assembly	2	See 213 catalog, Not Shown
10	◆	Dust shield	2	Not available





Key No.	Part Number	Description	No. Req.	Comments
1	4725E2	6" Unlined brake shoe	4	4725 brake block - 4725E2 shoe available lined only
	21P4725E2	6" New lined shoe	4	21k premium grade, Marathon HS20
	SB21P4725E2	New lined shoebox	2	(2) 21P4725E2 shoes & (1) 470902 kit
	23M4725E2	6" New lined shoe	4	23k medium grade, Marathon FLOE
	SB23M4725E2	New lined shoebox	2	(2) 23M4725E2 shoes & (1) 470902 kit
	21CV4725E2	6" New lined shoe	4	21k commercial vehicle grade, Dayton Parts CV21
	SB21CV4725E2	New lined shoebox	2	(2) 21CV4725E2 shoes & (1) 470902 kit
	23CV4725E2	6" New lined shoe	4	23k commercial vehicle grade, Dayton Parts CV23
	SB23CV4725E2	New lined shoebox	2	(2) 23CV4725E2 shoes & (1) 470902 kit
	23DS4725E2	6" New lined shoe	4	23k standard grade, Dayton Parts DS23
	SB23DS4725E2	New lined shoebox	2	(2) 23DS4725E2 shoes & (1) 470902 kit
	23DP4725E2	6" New lined shoe	4	23k premium grade, Dayton Parts DP23
	SB23DP4725E2	New lined shoebox	2	(2) 23DP4725E2 shoes & (1) 470902 kit
	4709E2	7" Unlined brake shoe	4	4709 brake block - 4709E2 shoe available lined only
	21P4709E2	7" New lined shoe	4	21k premium grade, Marathon HS20
	SB21P4709E2	New lined shoebox	2	(2) 21P4709E2 shoes & (1) 470902 kit
	23E4709E2	7" New lined shoe	4	23k economy grade, Marathon MV23
	SB23E4709E2	New lined shoebox	2	(2) 23E4709E2 shoes & (1) 470902 kit
	23M4709E2	7" New lined shoe	4	23k medium grade, Marathon FLOE
	SB23M4709E2	New lined shoebox	2	(2) 23M4709E2 shoes & (1) 470902 kit
	23P4709E2	7" New lined shoe	4	23k premium grade, Marathon HS
	SB23P4709E2	New lined shoebox	2	(2) 23P4709E2 shoes & (1) 470902 kit
	23S4709E2	7" New lined shoe	4	23k semi-met combo, Marathon MBC
	SB23S4709E2	New lined shoebox	2	(2) 23S4709E2 shoes & (1) 470902 kit
	21CV4709E2	7" New lined shoe	4	21k commercial vehicle grade, Dayton Parts CV21
	SB21CV4709E2	New lined shoebox	2	(2) 21CV4709E2 shoes & (1) 470902 kit
	23CV4709E2	7" New lined shoe	4	23k commercial vehicle grade, Dayton Parts CV23
	SB23CV4709E2	New lined shoebox	2	(2) 23CV4709E2 shoes & (1) 470902 kit
	23DS4709E2	7" New lined shoe	4	23k standard grade, Dayton Parts DS23
	SB23DS4709E2	New lined shoebox	2	(2) 23DS4709E2 shoes & (1) 470902 kit
	23DP4709E2	7" New lined shoe	4	23k premium grade, Dayton Parts DP23
	SB23DP4709E2	New lined shoebox	2	(2) 23DP4709E2 shoes & (1) 470902 kit
	4726E2	8 5/8" Unlined brake shoe	4	4726 brake block - 4726E2 shoe available lined only
	21P4726E2	8 5/8" New lined shoe	4	21k premium grade, Marathon HS20
	SB21P4726E2	New lined shoebox	2	(2) 21P4726E2 shoes & (1) 470902 kit
	23M4726E2	8 5/8" New lined shoe	4	23k medium grade, Marathon FLOE
	SB23M4726E2	New lined shoebox	2	(2) 23M4726E2 shoes & (1) 470902 kit
	21CV4726E2	8 5/8" New lined shoe	4	21k commercial vehicle grade, Dayton Parts CV21
	SB21CV4726E2	New lined shoebox	2	(2) 21CV4726E2 shoes & (1) 470902 kit
	23CV4726E2	8 5/8" New lined shoe	4	23k commercial vehicle grade, Dayton Parts CV23
	SB23CV4726E2	New lined shoebox	2	(2) 23CV4726E2 shoes & (1) 470902 kit
	23DS4726E2	8 5/8" New lined shoe	4	23k standard grade, Dayton Parts DS23
	SB23DS4726E2	New lined shoebox	2	(2) 23DS4726E2 shoes & (1) 470902 kit
	23DP4726E2	8 5/8" New lined shoe	4	23k premium grade, Dayton Parts DP23
	SB23DP4726E2	New lined shoebox	2	(2) 23DP4726E2 shoes & (1) 470902 kit

\*Continued on page 63

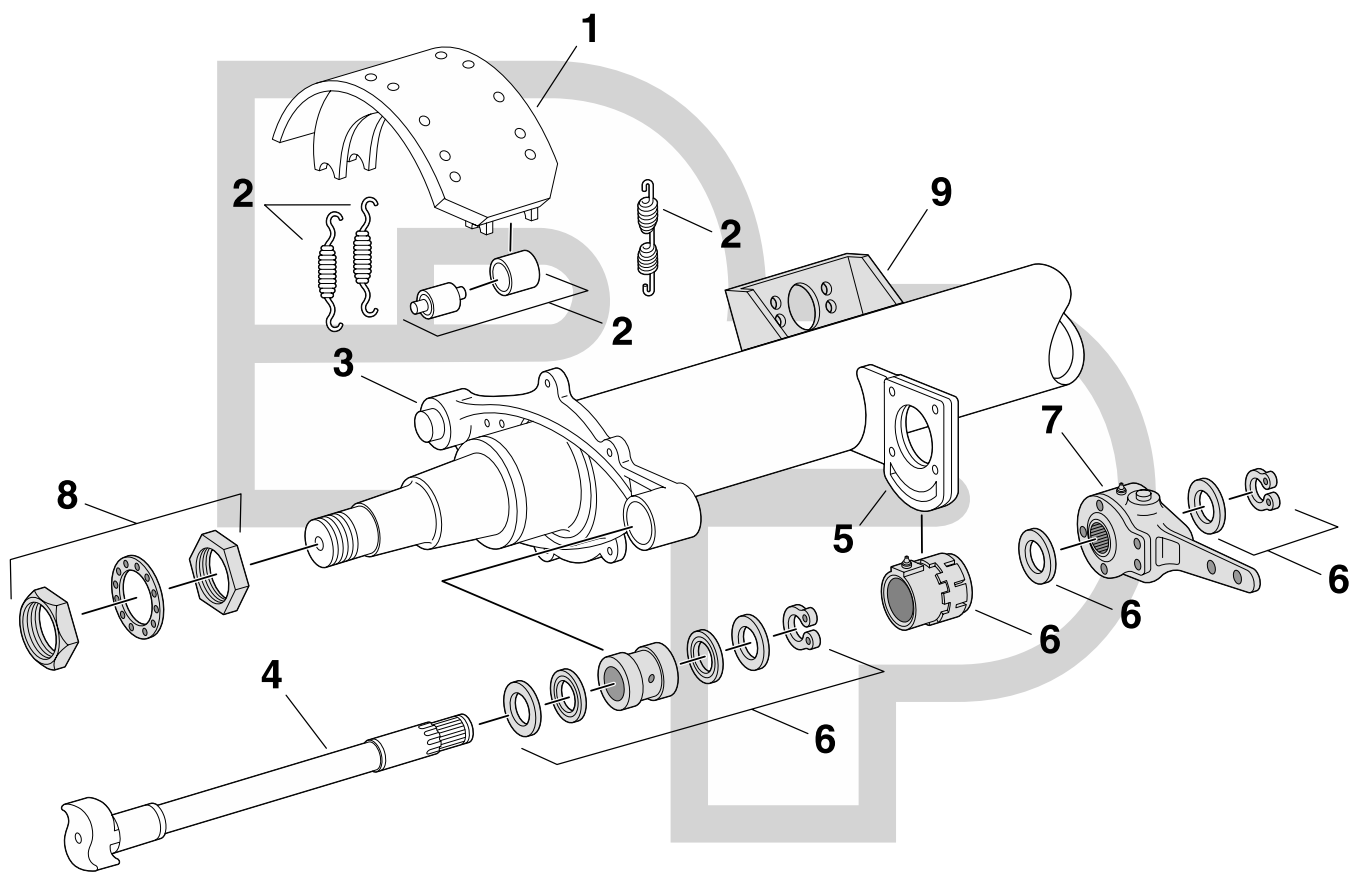


# Drive axle - ES-II series continued

# 16 1/2" Eaton

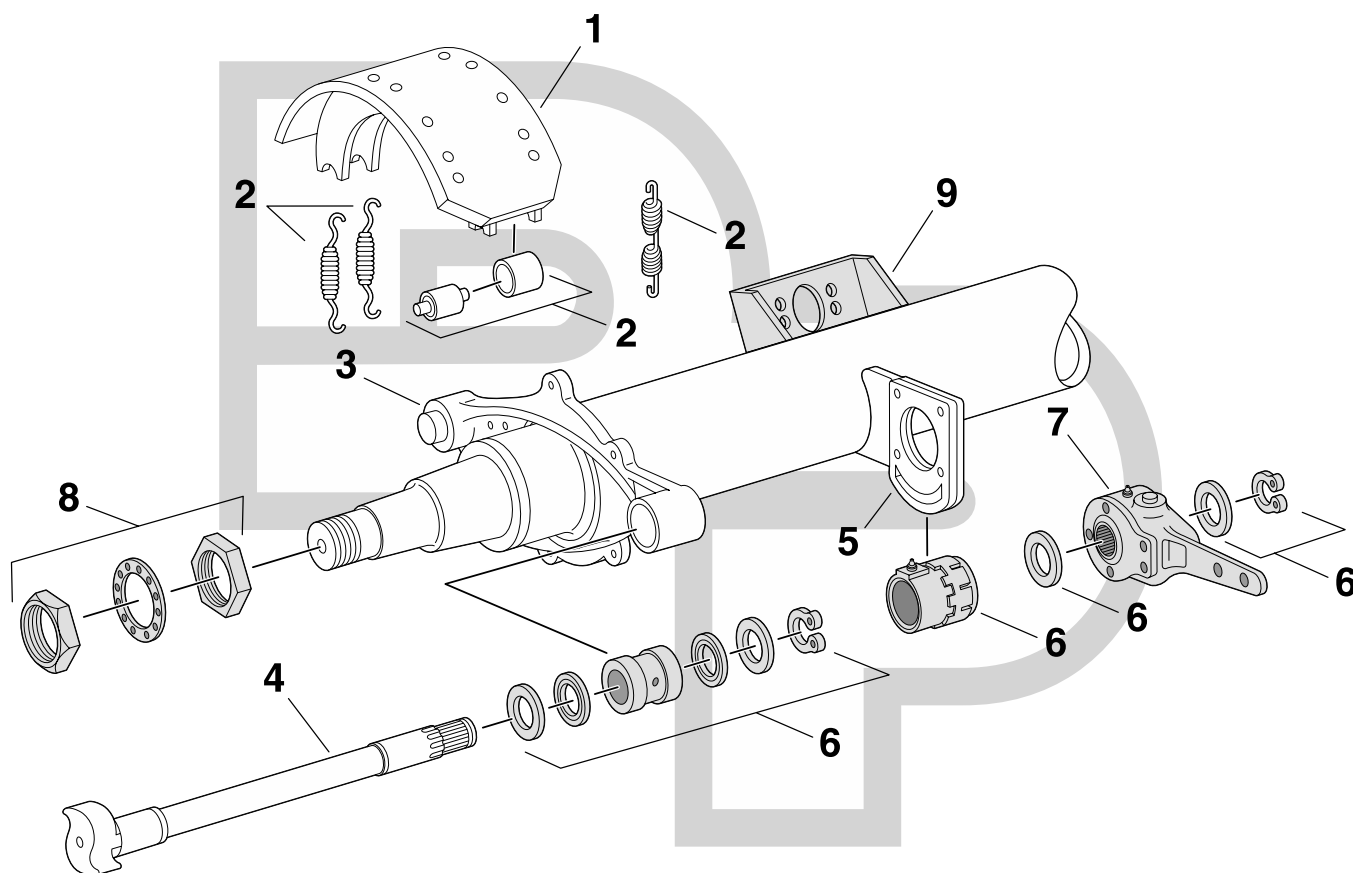
Schematics

Key No.	Part Number	Description	No. Req.	Comments
2	08-114900	OE Equivalent brake kit	2	1 1/4" roller - standard return spring
	470902	Cost-Plus brake kit	2	1 1/4" roller - standard return spring
3	SP	Spider	2	Special order part
4	Chart	Camshaft	2	1 1/2" spider journal, 1 1/2"-10 spline, see cam section 16 1/2" Eaton MG39
5	SP	Camshaft support tube	2	Special order part
6	08-135101	Camshaft kit	1	Nylatron spider bushing
	08-135111	Camshaft kit	1	Sintered metal spider bushing
7	05-461	Automatic slack	2	1 1/2"-10 spline, 5 1/2" straight arm - Bendix replacement
	05-561	Automatic slack	2	1 1/2"-10 spline, 5 1/2" straight arm - Crewson replacement
	05-761	Automatic slack	2	1 1/2"-10 spline, 5 1/2" straight arm - Gunite replacement
	05-361	Automatic slack	2	1 1/2"-10 spline, 5 1/2" straight arm - Meritor replacement
8	—	Axle nut assembly	2	See 213 catalog, Not Shown
10	SP	Dust shield	2	Special order part



Key No.	Part Number	Description	No. Req.	Comments
1	◆	7" Unlined brake shoe	4	4311J brake block - EB shoe no longer available, replace w/4709E2 shoes & kits w/MG74 cams & 28 spline slacks both wheel ends per axle
	20E4709E2	7" New lined shoe	4	20k economy grade, Marathon MV20
	SB20E4709E2	New lined shoebox	2	(2) 20E4709E2 shoes & (1) 470902 kit
	20M4709E2	7" New lined shoe	4	20k medium grade, Marathon UB
	SB20M4709E2	New lined shoebox	2	(2) 20M4709E2 shoes & (1) 470902 kit
	21P4709E2	7" New lined shoe	4	21k premium grade, Marathon HS20
	SB21P4709E2	New lined shoebox	2	(2) 21P4709E2 shoes & (1) 470902 kit
	23E4709E2	7" New lined shoe	4	23k economy grade, Marathon MV23
	SB23E4709E2	New lined shoebox	2	(2) 23E4709E2 shoes & (1) 470902 kit
	23M4709E2	7" New lined shoe	4	23k medium grade, Marathon FLOE
	SB23M4709E2	New lined shoebox	2	(2) 23M4709E2 shoes & (1) 470902 kit
	23P4709E2	7" New lined shoe	4	23k premium grade, Marathon HS
	SB23P4709E2	New lined shoebox	2	(2) 23P4709E2 shoes & (1) 470902 kit
	23S4709E2	7" New lined shoe	4	23k semi-met combo, Marathon MBC
	SB23S4709E2	New lined shoebox	2	(2) 23S4709E2 shoes & (1) 470902 kit
	21CV4709E2	7" New lined shoe	4	21k commercial vehicle grade, Dayton Parts CV21
	SB21CV4709E2	New lined shoebox	2	(2) 21CV4709E2 shoes & (1) 470902 kit
	23CV4709E2	7" New lined shoe	4	23k commercial vehicle grade, Dayton Parts CV23
	SB23CV4709E2	New lined shoebox	2	(2) 23CV4709E2 shoes & (1) 470902 kit
	23DS4709E2	7" New lined shoe	4	23k standard grade, Dayton Parts DS23
	SB23DS4709E2	New lined shoebox	2	(2) 23DS4709E2 shoes & (1) 470902 kit
	23DP4709E2	7" New lined shoe	4	23k premium grade, Dayton Parts DP23
	SB23DP4709E2	New lined shoebox	2	(2) 23DP4709E2 shoes & (1) 470902 kit
	◆	8 5/8" Unlined brake shoe	4	4674 brake block - EB shoe no longer available, replace w/4726E2 shoes & kits w/MG74 cams & 28 spline slacks both wheel ends per axle
	21P4726E2	8 5/8" New lined shoe	4	21k premium grade, Marathon HS20
	SB21P4726E2	New lined shoebox	2	(2) 21P4726E2 shoes & (1) 470902 kit
	23M4726E2	8 5/8" New lined shoe	4	23k medium grade, Marathon FLOE
	SB23M4726E2	New lined shoebox	2	(2) 23M4726E2 shoes & (1) 470902 kit
	21CV4726E2	8 5/8" New lined shoe	4	21k commercial vehicle grade, Dayton Parts CV21
	SB21CV4726E2	New lined shoebox	2	(2) 21CV4726E2 shoes & (1) 470902 kit
	23CV4726E2	8 5/8" New lined shoe	4	23k commercial vehicle grade, Dayton Parts CV23
	SB23CV4726E2	New lined shoebox	2	(2) 23CV4726E2 shoes & (1) 470902 kit
	23DS4726E2	8 5/8" New lined shoe	4	23k standard grade, Dayton Parts DS23
	SB23DS4726E2	New lined shoebox	2	(2) 23DS4726E2 shoes & (1) 470902 kit
	23DP4726E2	8 5/8" New lined shoe	4	23k premium grade, Dayton Parts DP23
	SB23DP4726E2	New lined shoebox	2	(2) 23DP4726E2 shoes & (1) 470902 kit

\*Continued on page 67



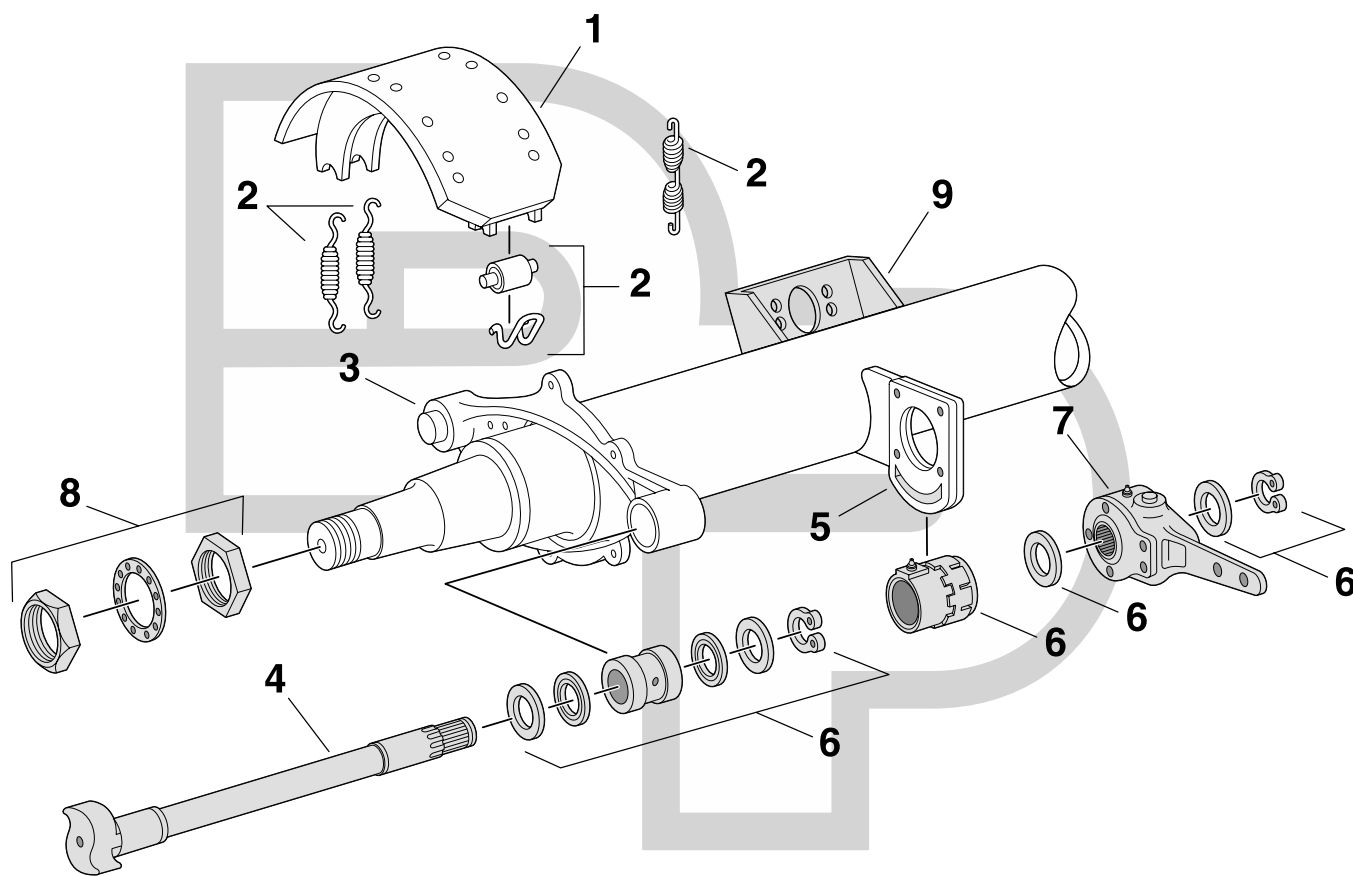


# Trailer axle - EB series continued

# 16 1/2" Eaton

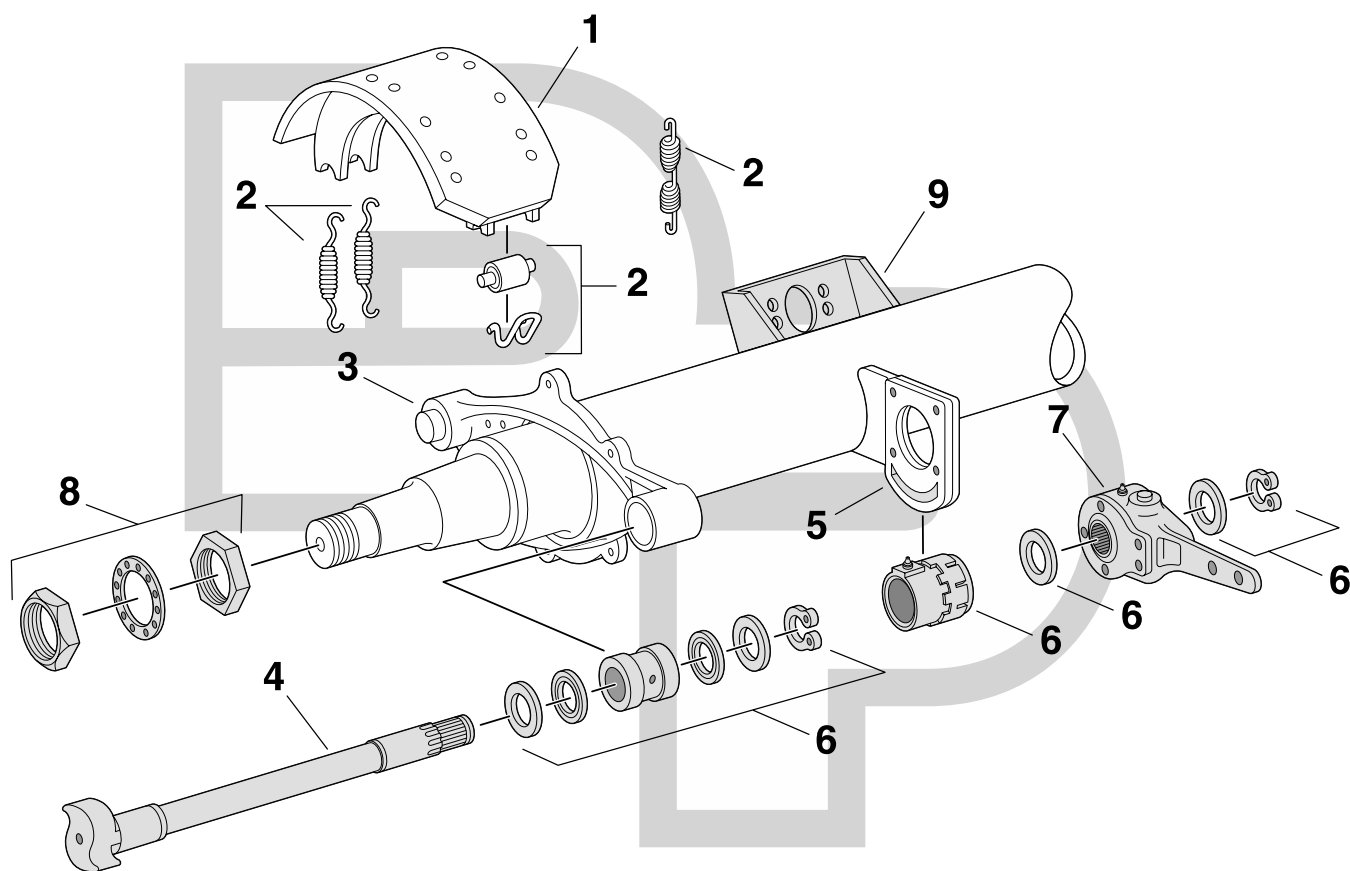
Schematics

Key No.	Part Number	Description	No. Req.	Comments
2	<b>08-114900</b>	OE Equivalent brake kit	2	1 1/4" roller - E2 shoe
	<b>470902</b>	Cost-Plus brake kit	2	1 1/4" roller - E2 shoe
3	◆	Spider	2	Not available
4	◆	Camshaft	2	1 5/8" spider journal, 1 1/2"-10 spline - MG71 cams no longer available, replace w/MG74 cams & 28 spline slacks both wheel ends per axle
	<b>Chart</b>	Camshaft	2	1 5/8" spider journal, 1 1/2"-28 spline, see cam section 16 1/2" Eaton MG74
5	◆	Camshaft support bracket	2	Eaton support bracket no longer available, replace w/03-1171 RH
	◆	Camshaft support bracket	2	Eaton support bracket no longer available, replace w/03-1172 LH
6	<b>08-136400</b>	Camshaft kit	1	Nylatron spider bushing w/03-214 support bushing
	<b>08-136406</b>	Camshaft kit	1	Nylatron spider bushing w/03-2151 & 03-2152 support bushings
7	<b>05-238</b>	Manual slack	2	1 1/2"-28 spline, 6" straight arm - MG74 cam
	<b>05-262</b>	Manual slack - HD	2	1 1/2"-28 spline, 6" straight arm - MG74 cam
	<b>05-462</b>	Automatic slack	2	1 1/2"-28 spline, 6" straight arm - Bendix replacement - MG74 cam
	<b>05-562</b>	Automatic slack	2	1 1/2"-28 spline, 6" straight arm - Crewson replacement - MG74 cam
	<b>05-762</b>	Automatic slack	2	1 1/2"-28 spline, 6" straight arm - Gunite replacement - MG74 cam
	<b>05-662</b>	Automatic slack	2	1 1/2"-28 spline, 6" straight arm - Haldex replacement - MG74 cam
	<b>05-362</b>	Automatic slack	2	1 1/2"-28 spline, 6" straight arm - Meritor replacement - MG74 cam
8	—	Axle nut assembly	2	See 213 catalog
9	<b>Chart</b>	Air chamber bracket	2	See air chamber bracket section
10	◆	Dust shield	2	Not available



Key No.	Part Number	Description	No. Req.	Comments
1	◆	7" Unlined brake shoe	4	4709 brake block - ES shoe no longer available, replace w/4709E2 shoes & kits both wheel ends per axle
	20E4709E2	7" New lined shoe	4	20k economy grade, Marathon MV20
	SB20E4709E2	New lined shoebox	2	(2) 20E4709E2 shoes & (1) 470902 kit
	20M4709E2	7" New lined shoe	4	20k medium grade, Marathon UB
	SB20M4709E2	New lined shoebox	2	(2) 20M4709E2 shoes & (1) 470902 kit
	21P4709E2	7" New lined shoe	4	21k premium grade, Marathon HS20
	SB21P4709E2	New lined shoebox	2	(2) 21P4709E2 shoes & (1) 470902 kit
	23E4709E2	7" New lined shoe	4	23k economy grade, Marathon MV23
	SB23E4709E2	New lined shoebox	2	(2) 23E4709E2 shoes & (1) 470902 kit
	23M4709E2	7" New lined shoe	4	23k medium grade, Marathon FLOE
	SB23M4709E2	New lined shoebox	2	(2) 23M4709E2 shoes & (1) 470902 kit
	23P4709E2	7" New lined shoe	4	23k premium grade, Marathon HS
	SB23P4709E2	New lined shoebox	2	(2) 23P4709E2 shoes & (1) 470902 kit
	23S4709E2	7" New lined shoe	4	23k semi-met combo, Marathon MBC
	SB23S4709E2	New lined shoebox	2	(2) 23S4709E2 shoes & (1) 470902 kit
	21CV4709E2	7" New lined shoe	4	21k commercial vehicle grade, Dayton Parts CV21
	SB21CV4709E2	New lined shoebox	2	(2) 21CV4709E2 shoes & (1) 470902 kit
	23CV4709E2	7" New lined shoe	4	23k commercial vehicle grade, Dayton Parts CV23
	SB23CV4709E2	New lined shoebox	2	(2) 23CV4709E2 shoes & (1) 470902 kit
	23DS4709E2	7" New lined shoe	4	23k standard grade, Dayton Parts DS23
	SB23DS4709E2	New lined shoebox	2	(2) 23DS4709E2 shoes & (1) 470902 kit
	23DP4709E2	7" New lined shoe	4	23k premium grade, Dayton Parts DP23
	SB23DP4709E2	New lined shoebox	2	(2) 23DP4709E2 shoes & (1) 470902 kit
	◆	8 5/8" Unlined brake shoe	4	4726 brake block - ES shoe no longer available, replace w/4726E2 shoes & kits both wheel ends per axle
	21P4726E2	8 5/8" New lined shoe	4	21k premium grade, Marathon HS20
	SB21P4726E2	New lined shoebox	2	(2) 21P4726E2 shoes & (1) 470902 kit
	23M4726E2	8 5/8" New lined shoe	4	23k medium grade, Marathon FLOE
	SB23M4726E2	New lined shoebox	2	(2) 23M4726E2 shoes & (1) 470902 kit
	21CV4726E2	8 5/8" New lined shoe	4	21k commercial vehicle grade, Dayton Parts CV21
	SB21CV4726E2	New lined shoebox	2	(2) 21CV4726E2 shoes & (1) 470902 kit
	23CV4726E2	8 5/8" New lined shoe	4	23k commercial vehicle grade, Dayton Parts CV23
	SB23CV4726E2	New lined shoebox	2	(2) 23CV4726E2 shoes & (1) 470902 kit
	23DS4726E2	8 5/8" New lined shoe	4	23k standard grade, Dayton Parts DS23
	SB23DS4726E2	New lined shoebox	2	(2) 23DS4726E2 shoes & (1) 470902 kit
	23DP4726E2	8 5/8" New lined shoe	4	23k premium grade, Dayton Parts DP23
	SB23DP4726E2	New lined shoebox	2	(2) 23DP4726E2 shoes & (1) 470902 kit

\*Continued on page 71



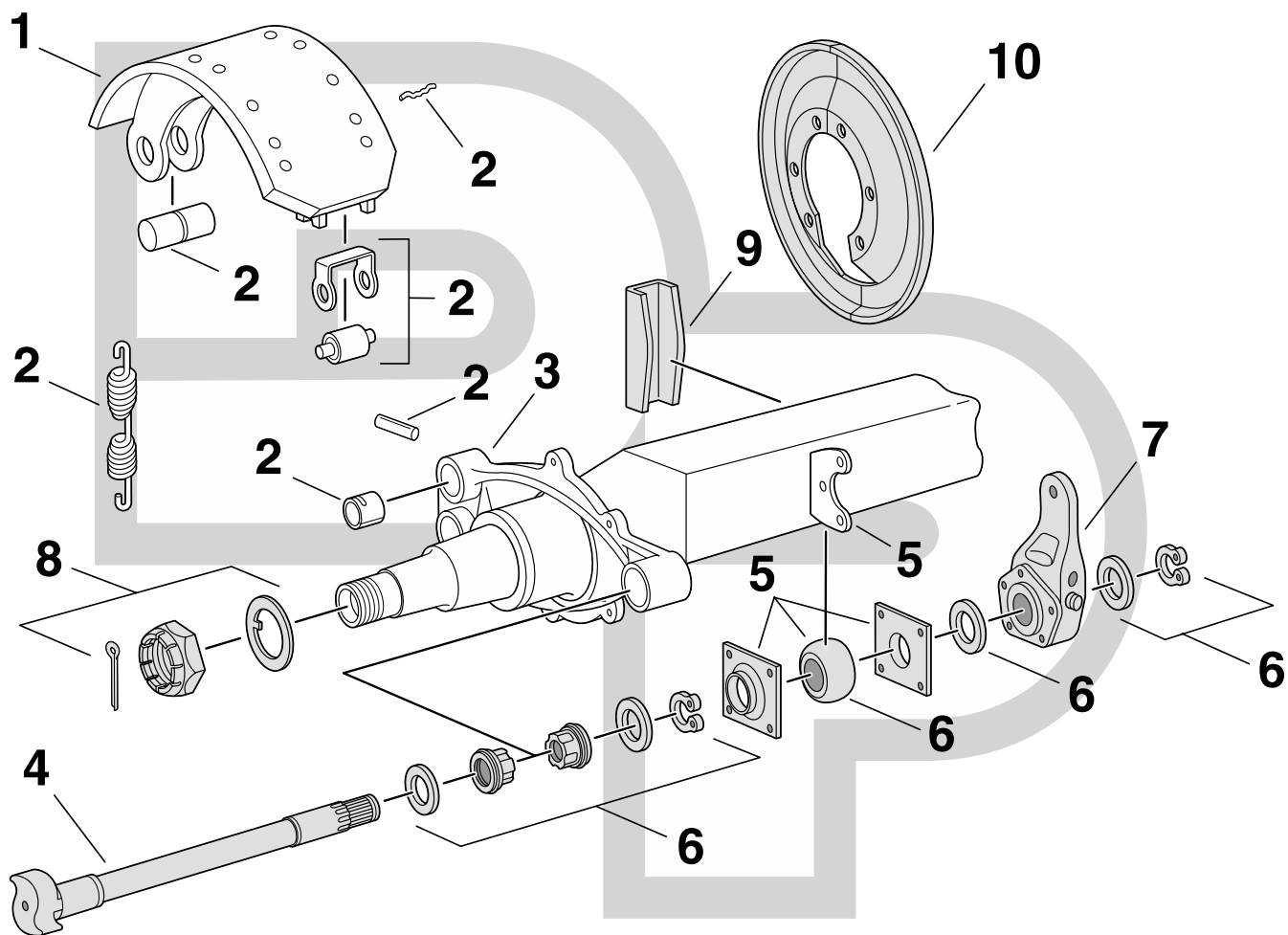
# Trailer axle - ES series continued

# 16 1/2" Eaton

Schematics

Key No.	Part Number	Description	No. Req.	Comments
2	<b>08-114900</b>	OE Equivalent brake kit	2	1 1/4" roller - E2 shoe
	<b>470902</b>	Cost-Plus brake kit	2	1 1/4" roller - E2 shoe
3	◆	Spider	2	Not available
4	◆	Camshaft	2	1 5/8" spider journal, 1 1/2"-10 spline - MG73 cams no longer available, replace w/MG74 cams & 28 spline slacks both wheel ends per axle
	<b>Chart</b>	Camshaft	2	1 5/8" spider journal, 1 1/2"-28 spline, see cam section 16 1/2" Eaton MG74
5	◆	Camshaft support bracket	2	Eaton support bracket no longer available, replace w/03-1171 RH
	◆	Camshaft support bracket	2	Eaton support bracket no longer available, replace w/03-1172 LH
6	<b>08-136400</b>	Camshaft kit	1	Nylatron spider bushing w/03-214 support bushing
	<b>08-136406</b>	Camshaft kit	1	Nylatron spider bushing w/03-2151 & 03-2152 support bushings
7	<b>05-238</b>	Manual slack	2	1 1/2"-28 spline, 6" straight arm - MG74 cam
	<b>05-262</b>	Manual slack - HD	2	1 1/2"-28 spline, 6" straight arm - MG74 cam
	<b>05-462</b>	Automatic slack	2	1 1/2"-28 spline, 6" straight arm - Bendix replacement - MG74 cam
	<b>05-562</b>	Automatic slack	2	1 1/2"-28 spline, 6" straight arm - Crewson replacement - MG74 cam
	<b>05-762</b>	Automatic slack	2	1 1/2"-28 spline, 6" straight arm - Gunite replacement - MG74 cam
	<b>05-662</b>	Automatic slack	2	1 1/2"-28 spline, 6" straight arm - Haldex replacement - MG74 cam
	<b>05-362</b>	Automatic slack	2	1 1/2"-28 spline, 6" straight arm - Meritor replacement - MG74 cam
8	—	Axle nut assembly	2	See 213 catalog
9	<b>Chart</b>	Air chamber bracket	2	See air chamber bracket section
10	◆	Dust shield	2	Not available

Schematics



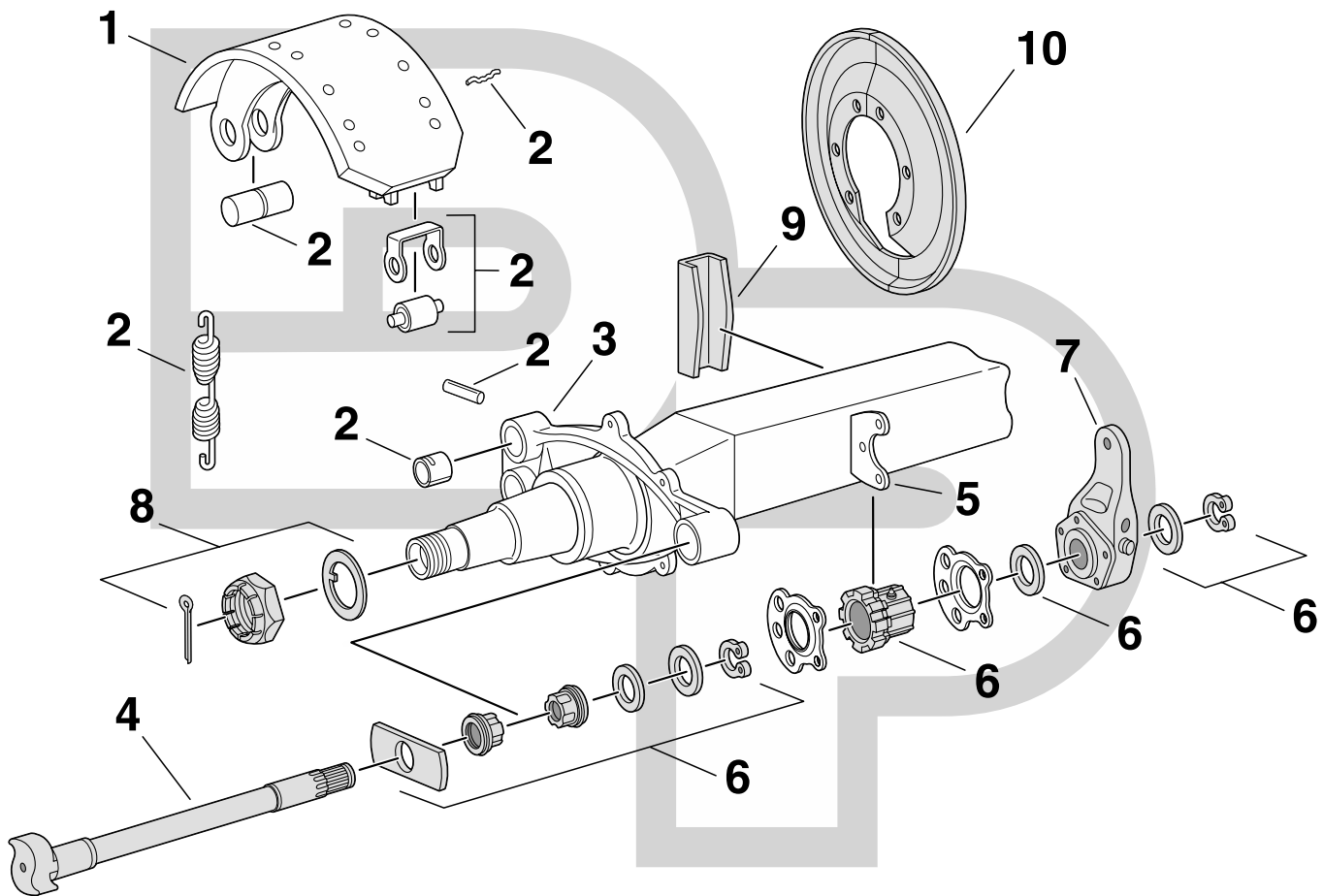
# Trailer axle - F series Propar axle

# 16 1/2" Fruehauf

Schematics

Key No.	Part Number	Description	No. Req.	Comments
1	◆	7" Unlined brake shoe	4	4515 brake block - F shoe no longer available, replace w/4515X shoes & kits both wheel ends per axle
	20E4515X	7" New lined shoe	4	20k economy grade, Marathon MV20
	SB20E4515X	New lined shoebox	2	(2) 20E4515Q shoes & (1) 4515X31 kit
	20M4515X	7" New lined shoe	4	20k medium grade, Marathon UB
	SB20M4515X	New lined shoebox	2	(2) 20M4515X shoes & (1) 4515X31 kit
	21P4515X	7" New lined shoe	4	21k premium grade, Marathon HS20
	SB21P4515X	New lined shoebox	2	(2) 21P4515X shoes & (1) 4515X31 kit
	23E4515X	7" New lined shoe	4	23k economy grade, Marathon MV23
	SB23E4515X	New lined shoebox	2	(2) 23E4515X shoes & (1) 4515X31 kit
	23M4515X	7" New lined shoe	4	23k medium grade, Marathon FLOE
	SB23M4515X	New lined shoebox	2	(2) 23M4515X shoes & (1) 4515X31 kit
	23P4515X	7" New lined shoe	4	23k premium grade, Marathon HS
	SB23P4515X	New lined shoebox	2	(2) 23P4515X shoes & (1) 4515X31 kit
	23S4515X	7" New lined shoe	4	23k semi-met combo, Marathon MBC
SB23S4515X	New lined shoebox	2	(2) 23S4515X shoes & (1) 4515X31 kit	
2	08-109130	OE Equivalent brake kit	2	1 1/4" roller - heavy duty return spring - X shoe
	4515X31	Cost-Plus brake kit	2	1 1/4" roller - heavy duty return spring - X shoe
3	◆	Spider	2	Not available
4	Chart	Camshaft	2	1 5/8" spider journal, 1 5/8"-37 spline, see cam section 16 1/2" Fruehauf MG81
5	◆	Camshaft support bracket	2	Early style support bracket no longer available, replace w/03-270A
	03-270A	Camshaft support bracket	2	Late style bracket w/03-207 support bushing
6	02-2201HD	Camshaft kit	2	Sintered metal spider bushing kit - replaces 02-220 nylon bushings
	08-133110	Camshaft kit	1	Sintered metal spider bushing w/03-207 support bushing
7	05-241	Manual slack	2	1 5/8"-37 spline, 5 1/2" straight arm
	05-565	Automatic slack	2	1 5/8"-37 spline, 5 1/2" straight arm - Crewson replacement
	05-240	Manual slack	2	1 5/8"-37 spline, 6" straight arm
	05-564	Automatic slack	2	1 5/8"-37 spline, 6" straight arm - Crewson replacement
	05-764	Automatic slack	2	1 5/8"-37 spline, 6" straight arm - Gunite replacement
	05-664	Automatic slack	2	1 5/8"-37 spline, 6" straight arm - Haldex replacement
8	—	Axle nut assembly	2	See 213 catalog
9	Chart	Air chamber bracket	2	See air chamber bracket section
10	02-507HD	Dust shield	2	Bolts to the spider



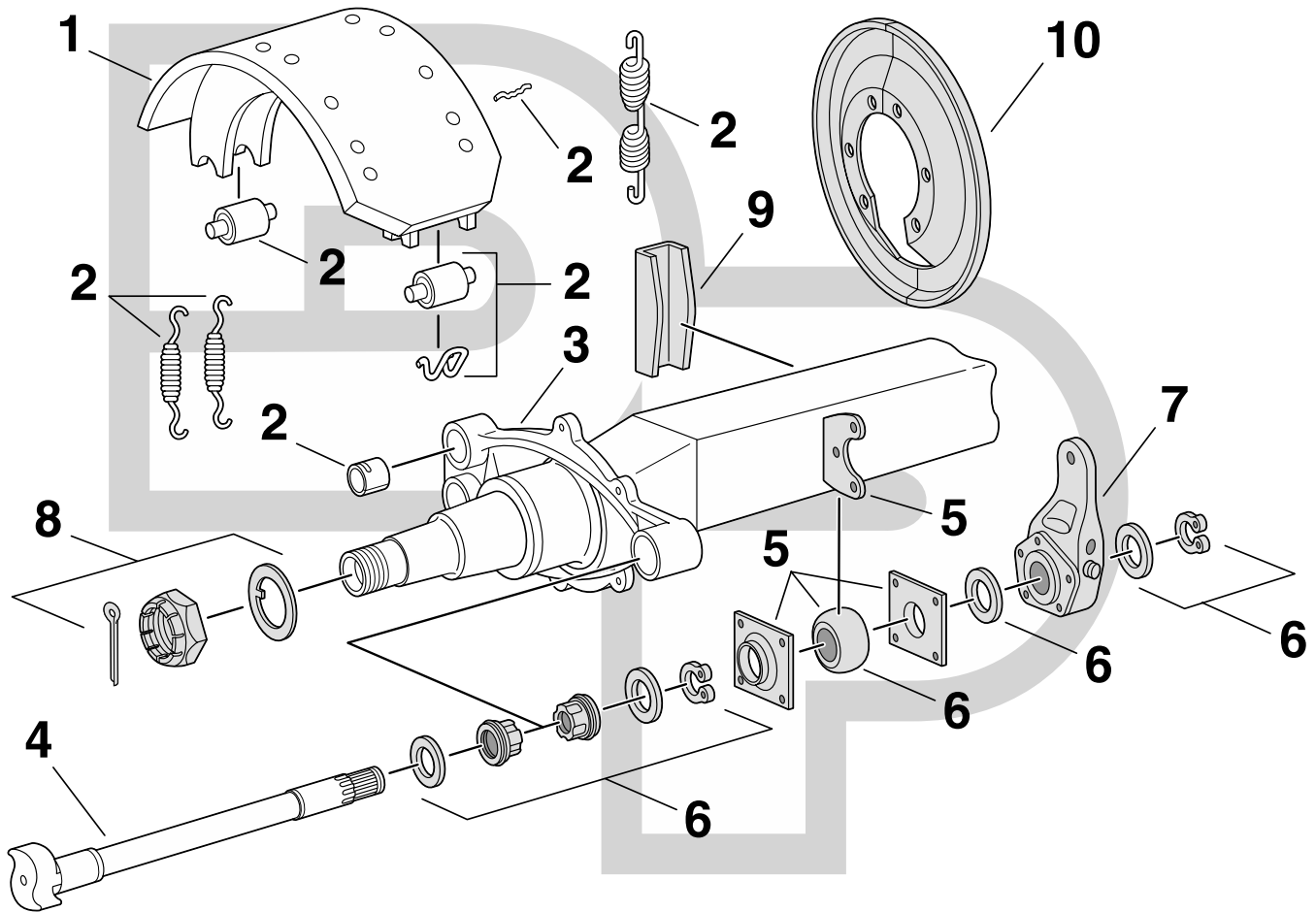


# Trailer axle - F series TKF axle

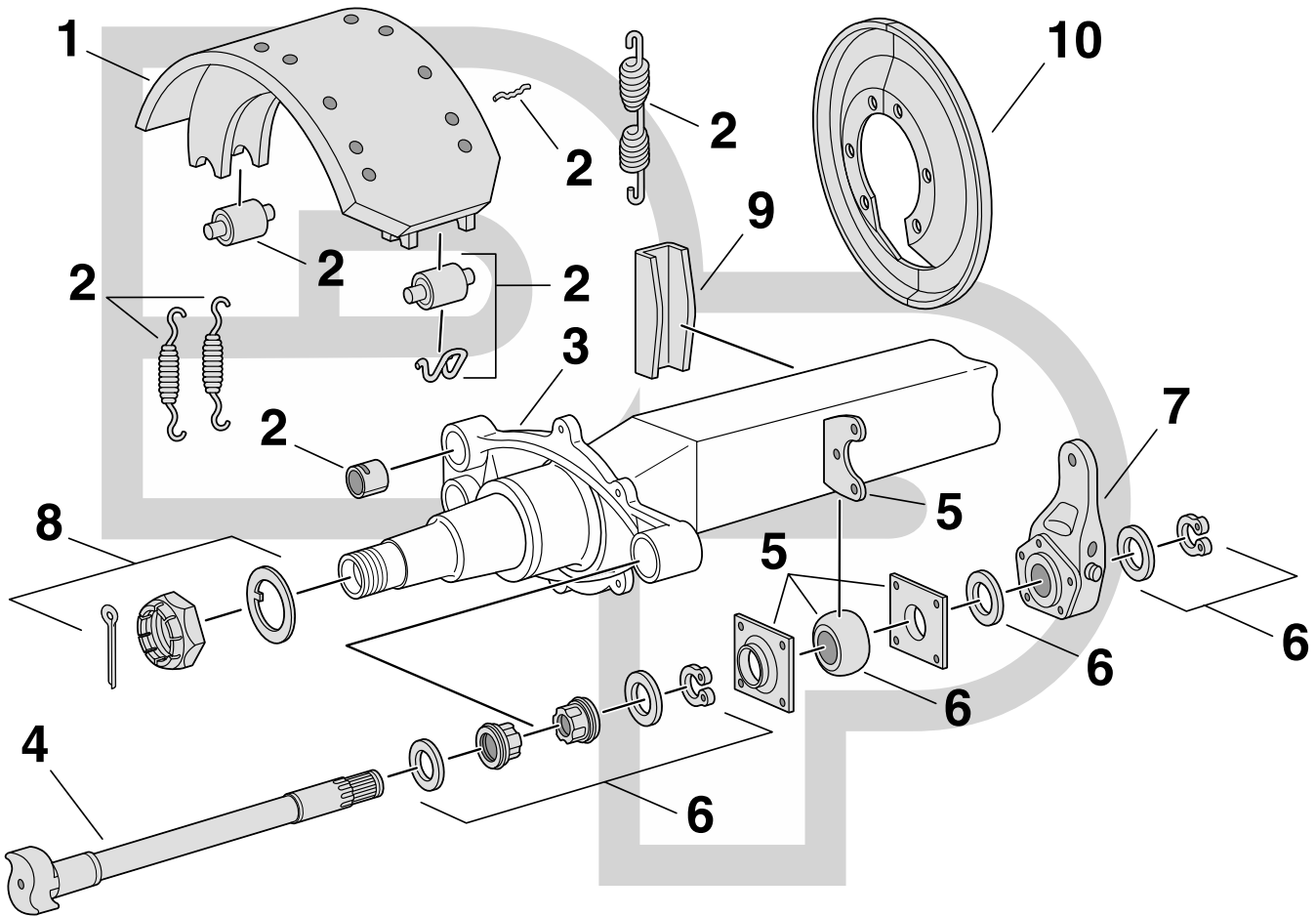
# 16 1/2" Fruehauf

Schematics

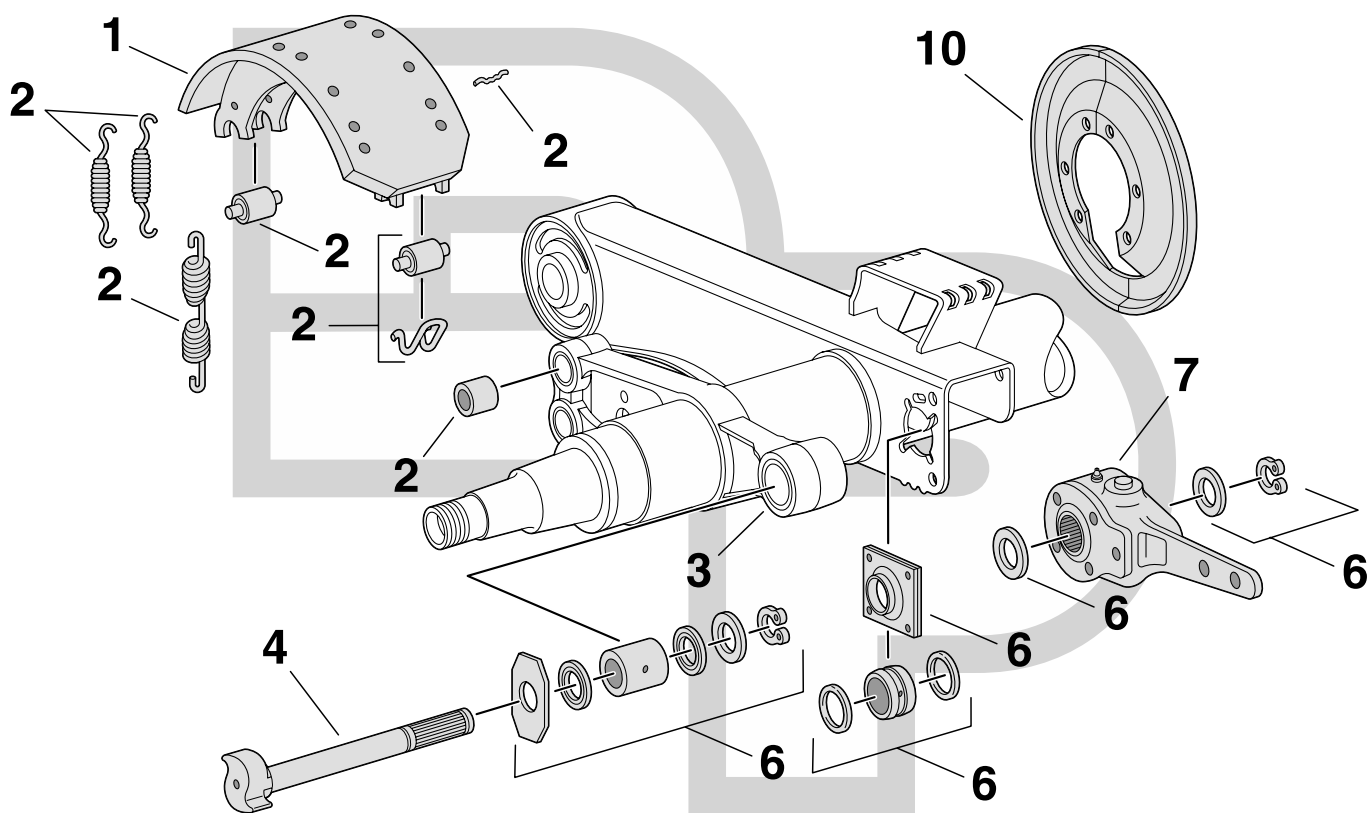
Key No.	Part Number	Description	No. Req.	Comments
1	◆	7" Unlined brake shoe	4	4515 brake block - F shoe no longer available, replace w/4515X shoes & kits both wheel ends per axle
	20E4515X	7" New lined shoe	4	20k economy grade, Marathon MV20
	SB20E4515X	New lined shoebox	2	(2) 20E4515Q shoes & (1) 4515X31 kit
	20M4515X	7" New lined shoe	4	20k medium grade, Marathon UB
	SB20M4515X	New lined shoebox	2	(2) 20M4515X shoes & (1) 4515X31 kit
	21P4515X	7" New lined shoe	4	21k premium grade, Marathon HS20
	SB21P4515X	New lined shoebox	2	(2) 21P4515X shoes & (1) 4515X31 kit
	23E4515X	7" New lined shoe	4	23k economy grade, Marathon MV23
	SB23E4515X	New lined shoebox	2	(2) 23E4515X shoes & (1) 4515X31 kit
	23M4515X	7" New lined shoe	4	23k medium grade, Marathon FLOE
	SB23M4515X	New lined shoebox	2	(2) 23M4515X shoes & (1) 4515X31 kit
	23P4515X	7" New lined shoe	4	23k premium grade, Marathon HS
	SB23P4515X	New lined shoebox	2	(2) 23P4515X shoes & (1) 4515X31 kit
	23S4515X	7" New lined shoe	4	23k semi-met combo, Marathon MBC
	SB23S4515X	New lined shoebox	2	(2) 23S4515X shoes & (1) 4515X31 kit
2	08-109130	OE Equivalent brake kit	2	1 1/4" roller - heavy duty return spring - X shoe
	4515X31	Cost-Plus brake kit	2	1 1/4" roller - heavy duty return spring - X shoe
3	◆	Spider	2	Not available
4	Chart	Camshaft	2	1 1/2" spider journal, 1 1/2"-10 spline, see cam section 16 1/2" Fruehauf MG57
5	◆	Camshaft support bracket	2	No longer available, replace w/03-270A
	03-270A	Camshaft support bracket	2	Late style bracket w/03-207 support bushing
6	08-130122	Camshaft kit	1	Nylon spider bushing w/03-200 support bushing
7	05-203	Manual slack	2	1 1/2"-10 spline, 6" straight arm
	05-260	Manual slack - HD	2	1 1/2"-10 spline, 6" straight arm
	05-460	Automatic slack	2	1 1/2"-10 spline, 6" straight arm - Bendix replacement
	05-560	Automatic slack	2	1 1/2"-10 spline, 6" straight arm - Crewson replacement
	05-760	Automatic slack	2	1 1/2"-10 spline, 6" straight arm - Gunitite replacement
	05-660	Automatic slack	2	1 1/2"-10 spline, 6" straight arm - Haldex replacement
	05-360	Automatic slack	2	1 1/2"-10 spline, 6" straight arm - Meritor replacement
8	—	Axle nut assembly	2	See 213 catalog
9	Chart	Air chamber bracket	2	See air chamber bracket section
10	02-507HD	Dust shield	2	Bolts to the spider



Key No.	Part Number	Description	No. Req.	Comments
1	◆	7" Unlined brake shoe	4	4515E brake block - FQ shoe no longer available, replace w/4515X shoes & kits both wheel ends per axle
	20E4515X	7" New lined shoe	4	20k economy grade, Marathon MV20
	SB20E4515X	New lined shoebox	2	(2) 20E4515Q shoes & (1) 4515X31 kit
	20M4515X	7" New lined shoe	4	20k medium grade, Marathon UB
	SB20M4515X	New lined shoebox	2	(2) 20M4515X shoes & (1) 4515X31 kit
	21P4515X	7" New lined shoe	4	21k premium grade, Marathon HS20
	SB21P4515X	New lined shoebox	2	(2) 21P4515X shoes & (1) 4515X31 kit
	23E4515X	7" New lined shoe	4	23k economy grade, Marathon MV23
	SB23E4515X	New lined shoebox	2	(2) 23E4515X shoes & (1) 4515X31 kit
	23M4515X	7" New lined shoe	4	23k medium grade, Marathon FLOE
	SB23M4515X	New lined shoebox	2	(2) 23M4515X shoes & (1) 4515X31 kit
	23P4515X	7" New lined shoe	4	23k premium grade, Marathon HS
	SB23P4515X	New lined shoebox	2	(2) 23P4515X shoes & (1) 4515X31 kit
	23S4515X	7" New lined shoe	4	23k semi-met combo, Marathon MBC
SB23S4515X	New lined shoebox	2	(2) 23S4515X shoes & (1) 4515X31 kit	
2	08-109130	OE Equivalent brake kit	2	1 1/4" roller - heavy duty return spring - X shoe
	4515X31	Cost-Plus brake kit	2	1 1/4" roller - heavy duty return spring - X shoe
3	◆	Spider	2	Not available
4	◆	Camshaft	2	1 5/8" spider journal, 1 1/2"-10 spline, MG82 cams no longer available, replace w/MG81 cams & 37 spline slacks both wheel ends per axle
	Chart	Camshaft	2	1 5/8" spider journal, 1 5/8"-37 spline, see cam section 16 1/2" Fruehauf MG81
5	03-270A	Camshaft support bracket	2	Late style bracket w/03-207 support bushing
6	02-2201HD	Camshaft kit	2	Sintered metal spider bushing kit - replaces 02-220 nylon bushings
	08-133110	Camshaft kit	1	Sintered metal spider bushing w/03-207 support bushing - MG81 cam
7	05-241	Manual slack	2	1 5/8"-37 spline, 5 1/2" straight arm - MG81 cam
	05-565	Automatic slack	2	1 5/8"-37 spline, 5 1/2" straight arm - Crewson replacement - MG81 cam
	05-240	Manual slack	2	1 5/8"-37 spline, 6" straight arm - MG81 cam
	05-564	Automatic slack	2	1 5/8"-37 spline, 6" straight arm - Crewson replacement - MG81 cam
	05-764	Automatic slack	2	1 5/8"-37 spline, 6" straight arm - Gunitex replacement - MG81 cam
	05-664	Automatic slack	2	1 5/8"-37 spline, 6" straight arm - Haldex replacement - MG81 cam
8	—	Axle nut assembly	2	See 213 catalog
9	Chart	Air chamber bracket	2	See air chamber bracket section
10	02-507HD	Dust shield	2	Bolts to the spider



Key No.	Part Number	Description	No. Req.	Comments
1	<b>4515X</b>	7" Unlined brake shoe	4	4515E brake block - 4515X shoe available lined only
	<b>20E4515X</b>	7" New lined shoe	4	20k economy grade, Marathon MV20
	<b>SB20E4515X</b>	New lined shoebox	2	(2) 20E4515Q shoes & (1) 4515X31 kit
	<b>20M4515X</b>	7" New lined shoe	4	20k medium grade, Marathon UB
	<b>SB20M4515X</b>	New lined shoebox	2	(2) 20M4515X shoes & (1) 4515X31 kit
	<b>21P4515X</b>	7" New lined shoe	4	21k premium grade, Marathon HS20
	<b>SB21P4515X</b>	New lined shoebox	2	(2) 21P4515X shoes & (1) 4515X31 kit
	<b>23E4515X</b>	7" New lined shoe	4	23k economy grade, Marathon MV23
	<b>SB23E4515X</b>	New lined shoebox	2	(2) 23E4515X shoes & (1) 4515X31 kit
	<b>23M4515X</b>	7" New lined shoe	4	23k medium grade, Marathon FLOE
	<b>SB23M4515X</b>	New lined shoebox	2	(2) 23M4515X shoes & (1) 4515X31 kit
	<b>23P4515X</b>	7" New lined shoe	4	23k premium grade, Marathon HS
	<b>SB23P4515X</b>	New lined shoebox	2	(2) 23P4515X shoes & (1) 4515X31 kit
	<b>23S4515X</b>	7" New lined shoe	4	23k semi-met combo, Marathon MBC
	<b>SB23S4515X</b>	New lined shoebox	2	(2) 23S4515X shoes & (1) 4515X31 kit
	<b>4551XL</b>	8 5/8" Unlined brake shoe	2	4551B brake block - 4551XL LH offset shoe available lined only
	<b>23P4551XL</b>	8 5/8" New lined shoe	2	23k premium grade, Marathon HS - Offset shoe - LH
	<b>4551XR</b>	8 5/8" Unlined brake shoe	2	4551B brake block - 4551XR RH offset shoe available lined only
	<b>23P4551XR</b>	8 5/8" New lined shoe	2	23k premium grade, Marathon HS - Offset shoe - RH
	<b>SB23P4551X</b>	New lined shoebox	2	(1) 23P4551XL shoe, (1) 23P4551XR shoe & (1) 4515X31 kit
2	<b>08-109130</b>	OE Equivalent brake kit	2	1 1/4" roller - heavy duty return spring
	<b>4515X31</b>	Cost-Plus brake kit	2	1 1/4" roller - heavy duty return spring
3	◆	Spider	2	Weld on spider not available
4	<b>Chart</b>	Camshaft	2	1 5/8" spider journal, 1 5/8"-37 spline, see cam section 16 1/2" Fruehauf MG81
5	<b>03-270A</b>	Camshaft support bracket	2	Late style bracket w/03-207 support bushing
6	<b>02-2201HD</b>	Camshaft kit	2	Sintered metal spider bushing kit - replaces 02-220 nylon bushings
	<b>08-133110</b>	Camshaft kit	1	Sintered metal spider bushing w/03-207 support bushing
7	<b>05-241</b>	Manual slack	2	1 5/8"-37 spline, 5 1/2" straight arm
	<b>05-565</b>	Automatic slack	2	1 5/8"-37 spline, 5 1/2" straight arm - Crewson replacement
	<b>05-240</b>	Manual slack	2	1 5/8"-37 spline, 6" straight arm
	<b>05-564</b>	Automatic slack	2	1 5/8"-37 spline, 6" straight arm - Crewson replacement
	<b>05-764</b>	Automatic slack	2	1 5/8"-37 spline, 6" straight arm - Gunitite replacement
	<b>05-664</b>	Automatic slack	2	1 5/8"-37 spline, 6" straight arm - Haldex replacement
8	—	Axle nut assembly	2	See 213 catalog
9	<b>Chart</b>	Air chamber bracket	2	See air chamber bracket section
10	<b>02-507HD</b>	Dust shield	2	Bolts to the spider





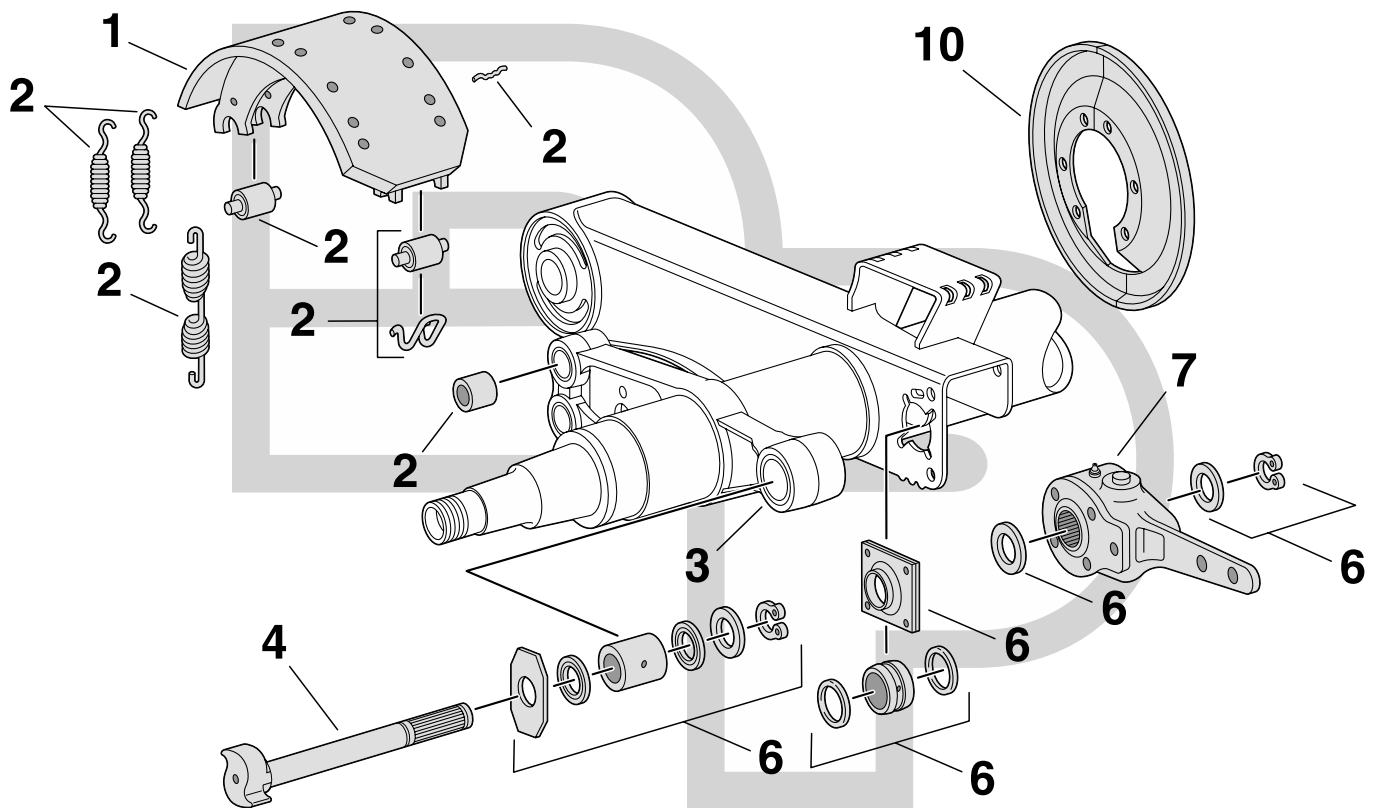
# Trailer axle - HXS series Intraax axle

# 16 1/2" Hendrickson

Schematics

Key No.	Part Number	Description	No. Req.	Comments
1	4707QP	7" Unlined brake shoe	4	4707 brake block - 4707QP shoe available lined only
	20E4707QP	7" New lined shoe	4	20k economy grade, Marathon MV20
	SB20E4707QP	New lined shoebox	2	(2) 20E4707QP shoes & (1) 4515Q30 kit
	20M4707QP	7" New lined shoe	4	20k medium grade, Marathon UB
	SB20M4707QP	New lined shoebox	2	(2) 20M4707QP shoes & (1) 4515Q30 kit
	21P4707QP	7" New lined shoe	4	21k premium grade, Marathon HS20
	SB21P4707QP	New lined shoebox	2	(2) 21P4707QP shoes & (1) 4515Q30 kit
	23E4707QP	7" New lined shoe	4	23k economy grade, Marathon MV23
	SB23E4707QP	New lined shoebox	2	(2) 23E4707QP shoes & (1) 4515Q30 kit
	23F4707QP	7" New lined shoe	4	23k fleet grade, Marathon FS23
	SB23F4707QP	New lined shoebox	2	(2) 23F4707QP shoes & (1) 4515Q30 kit
	23M4707QP	7" New lined shoe	4	23k medium grade, Marathon FLOE
	SB23M4707QP	New lined shoebox	2	(2) 23M4707QP shoes & (1) 4515Q30 kit
	23P4707QP	7" New lined shoe	4	23k premium grade, Marathon HS
	SB23P4707QP	New lined shoebox	2	(2) 23P4707QP shoes & (1) 4515Q30 kit
	23S4707QP	7" New lined shoe	4	23k semi-met combo, Marathon MBC
	SB23S4707QP	New lined shoebox	2	(2) 23S4707QP shoes & (1) 4515Q30 kit
	21CV4707QP	7" New lined shoe	4	21k commercial vehicle grade, Dayton Parts CV21
	SB21CV4707QP	New lined shoebox	2	(2) 21CV4707QP shoes & (1) 4515Q30 kit
	23CV4707QP	7" New lined shoe	4	23k commercial vehicle grade, Dayton Parts CV23
	SB23CV4707QP	New lined shoebox	2	(2) 23CV4707QP shoes & (1) 4515Q30 kit
	23DS4707QP	7" New lined shoe	4	23k standard grade, Dayton Parts DS23
	SB23DS4707QP	New lined shoebox	2	(2) 23DS4707QP shoes & (1) 4515Q30 kit
	23DP4707QP	7" New lined shoe	4	23k premium grade, Dayton Parts DP23
	SB23DP4707QP	New lined shoebox	2	(2) 23DP4707QP shoes & (1) 4515Q30 kit
	4711QP	8 5/8" Unlined brake shoe	4	4711 brake block - 4711QP shoe available lined only
	21P4711QP	8 5/8" New lined shoe	4	21k premium grade, Marathon HS20
	SB21P4711QP	New lined shoebox	2	(2) 21P4711QP shoes & (1) 4515Q30 kit
	23M4711QP	8 5/8" New lined shoe	4	23k medium grade, Marathon FLOE
	SB23M4711QP	New lined shoebox	2	(2) 23M4711QP shoes & (1) 4515Q30 kit
	21CV4711QP	8 5/8" New lined shoe	4	21k commercial vehicle grade, Dayton Parts CV21
	SB21CV4711QP	New lined shoebox	2	(2) 21CV4711QP shoes & (1) 4515Q30 kit
	23CV4711QP	8 5/8" New lined shoe	4	23k commercial vehicle grade, Dayton Parts CV23
	SB23CV4711QP	New lined shoebox	2	(2) 23CV4711QP shoes & (1) 4515Q30 kit
	23DS4711QP	8 5/8" New lined shoe	4	23k standard grade, Dayton Parts DS23
	SB23DS4711QP	New lined shoebox	2	(2) 23DS4711QP shoes & (1) 4515Q30 kit
	23DP4711QP	8 5/8" New lined shoe	4	23k premium grade, Dayton Parts DP23
	SB23DP4711QP	New lined shoebox	2	(2) 23DP4711QP shoes & (1) 4515Q30 kit

\*Continued on page 83

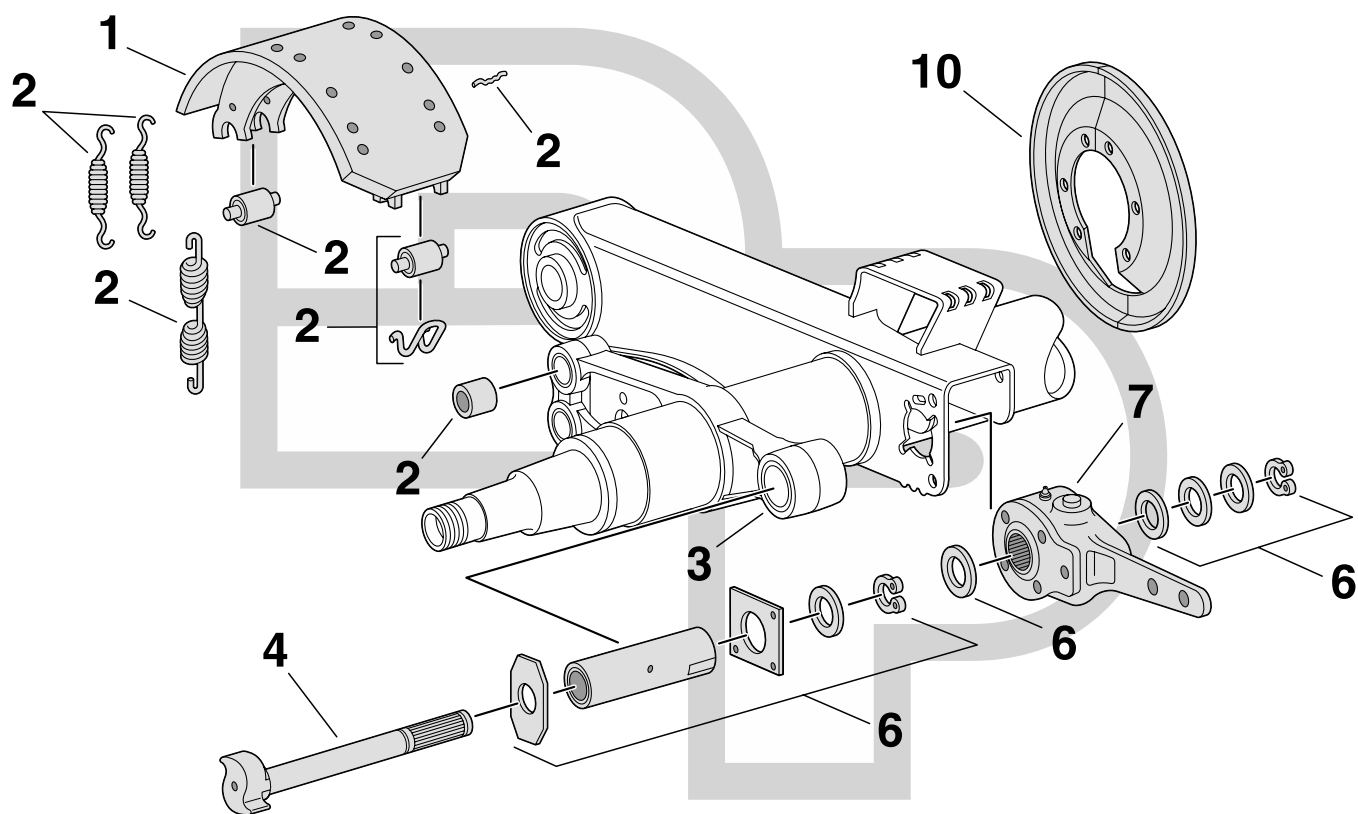


# Trailer axle - HXS series Intraax axle - continued

# 16 1/2" Hendrickson

Schematics

Key No.	Part Number	Description	No. Req.	Comments
2	<b>08-108830</b>	OE Equivalent brake kit	2	1 1/4" roller - heavy duty return spring
	<b>4515Q30</b>	Cost-Plus brake kit	2	1 1/4" roller - heavy duty return spring
3	◆	Spider	2	Weld on spider not available
4	<b>Chart</b>	Camshaft	2	1 1/2" spider journal, 1 1/2"-10 spline, see cam section 16 1/2" Hendrickson MG85
	<b>Chart</b>	Camshaft	2	1 1/2" spider journal, 1 1/2"-28 spline, see cam section 16 1/2" Hendrickson MG87
5	—	Camshaft support bracket	2	Suspension air beam used for cam support bracket
6	<b>08-130310</b>	Camshaft kit	1	2" OD Sintered metal spider bushing from 11/97 w/support bushings & o-rings
	<b>08-130311</b>	Camshaft kit	1	2" OD Sintered metal spider bushing from 11/97 w/03-2091 support bushing - zerk screws into retainer plate
7	<b>05-201</b>	Manual slack	2	1 1/2"-10 spline, 5 1/2" straight arm - MG85 cam
	<b>05-261</b>	Manual slack - HD	2	1 1/2"-10 spline, 5 1/2" straight arm - MG85 cam
	<b>05-461</b>	Automatic slack	2	1 1/2"-10 spline, 5 1/2" straight arm - Bendix replacement - MG85 cam
	<b>05-561</b>	Automatic slack	2	1 1/2"-10 spline, 5 1/2" straight arm - Crewson replacement - MG85 cam
	<b>05-761</b>	Automatic slack	2	1 1/2"-10 spline, 5 1/2" straight arm - Gunitite replacement - MG85 cam
	<b>05-361</b>	Automatic slack	2	1 1/2"-10 spline, 5 1/2" straight arm - Meritor replacement - MG85 cam
	<b>05-203</b>	Manual slack	2	1 1/2"-10 spline, 6" straight arm - MG85 cam
	<b>05-260</b>	Manual slack - HD	2	1 1/2"-10 spline, 6" straight arm - MG85 cam
	<b>05-460</b>	Automatic slack	2	1 1/2"-10 spline, 6" straight arm - Bendix replacement - MG85 cam
	<b>05-560</b>	Automatic slack	2	1 1/2"-10 spline, 6" straight arm - Crewson replacement - MG85 cam
	<b>05-760</b>	Automatic slack	2	1 1/2"-10 spline, 6" straight arm - Gunitite replacement - MG85 cam
	<b>05-660</b>	Automatic slack	2	1 1/2"-10 spline, 6" straight arm - Haldex replacement - MG85 cam
	<b>05-360</b>	Automatic slack	2	1 1/2"-10 spline, 6" straight arm - Meritor replacement - MG85 cam
	<b>05-237</b>	Manual slack	2	1 1/2"-28 spline, 5 1/2" straight arm - MG87 cam
	<b>05-263</b>	Manual slack - HD	2	1 1/2"-28 spline, 5 1/2" straight arm - MG87 cam
	<b>05-463</b>	Automatic slack	2	1 1/2"-28 spline, 5 1/2" straight arm - Bendix replacement - MG87 cam
	<b>05-563</b>	Automatic slack	2	1 1/2"-28 spline, 5 1/2" straight arm - Crewson replacement - MG87 cam
	<b>05-763</b>	Automatic slack	2	1 1/2"-28 spline, 5 1/2" straight arm - Gunitite replacement - MG87 cam
	<b>05-363</b>	Automatic slack	2	1 1/2"-28 spline, 5 1/2" straight arm - Meritor replacement - MG87 cam
	<b>05-238</b>	Manual slack	2	1 1/2"-28 spline, 6" straight arm - MG87 cam
	<b>05-262</b>	Manual slack - HD	2	1 1/2"-28 spline, 6" straight arm - MG87 cam
	<b>05-462</b>	Automatic slack	2	1 1/2"-28 spline, 6" straight arm - Bendix replacement - MG87 cam
	<b>05-562</b>	Automatic slack	2	1 1/2"-28 spline, 6" straight arm - Crewson replacement - MG87 cam
	<b>05-762</b>	Automatic slack	2	1 1/2"-28 spline, 6" straight arm - Gunitite replacement - MG87 cam
	<b>05-662</b>	Automatic slack	2	1 1/2"-28 spline, 6" straight arm - Haldex replacement - MG87 cam
	<b>05-362</b>	Automatic slack	2	1 1/2"-28 spline, 6" straight arm - Meritor replacement - MG87 cam
8	—	Axle nut assembly	2	See 213 catalog, Not Shown
10	<b>02-520</b>	Dust shield	2	5" axle - clamps to axle tube



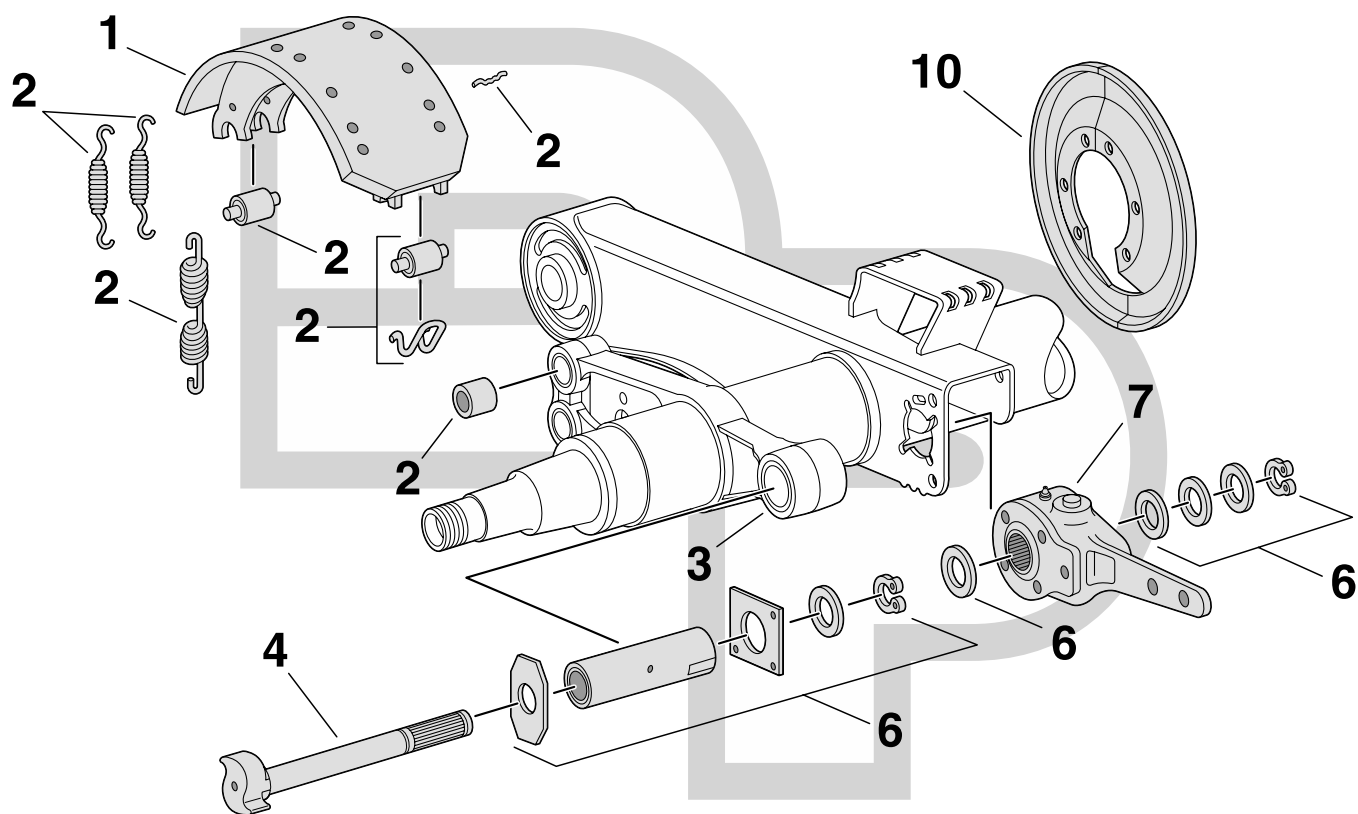
# Trailer axle - HXS series Intraax axle - cam tube

# 16 1/2" Hendrickson

Schematics

Key No.	Part Number	Description	No. Req.	Comments
1	4707QP	7" Unlined brake shoe	4	4707 brake block - 4707QP shoe available lined only
	20E4707QP	7" New lined shoe	4	20k economy grade, Marathon MV20
	SB20E4707QP	New lined shoebox	2	(2) 20E4707QP shoes & (1) 4515Q30 kit
	20M4707QP	7" New lined shoe	4	20k medium grade, Marathon UB
	SB20M4707QP	New lined shoebox	2	(2) 20M4707QP shoes & (1) 4515Q30 kit
	21P4707QP	7" New lined shoe	4	21k premium grade, Marathon HS20
	SB21P4707QP	New lined shoebox	2	(2) 21P4707QP shoes & (1) 4515Q30 kit
	23E4707QP	7" New lined shoe	4	23k economy grade, Marathon MV23
	SB23E4707QP	New lined shoebox	2	(2) 23E4707QP shoes & (1) 4515Q30 kit
	23F4707QP	7" New lined shoe	4	23k fleet grade, Marathon FS23
	SB23F4707QP	New lined shoebox	2	(2) 23F4707QP shoes & (1) 4515Q30 kit
	23M4707QP	7" New lined shoe	4	23k medium grade, Marathon FLOE
	SB23M4707QP	New lined shoebox	2	(2) 23M4707QP shoes & (1) 4515Q30 kit
	23P4707QP	7" New lined shoe	4	23k premium grade, Marathon HS
	SB23P4707QP	New lined shoebox	2	(2) 23P4707QP shoes & (1) 4515Q30 kit
	23S4707QP	7" New lined shoe	4	23k semi-met combo, Marathon MBC
	SB23S4707QP	New lined shoebox	2	(2) 23S4707QP shoes & (1) 4515Q30 kit
	21CV4707QP	7" New lined shoe	4	21k commercial vehicle grade, Dayton Parts CV21
	SB21CV4707QP	New lined shoebox	2	(2) 21CV4707QP shoes & (1) 4515Q30 kit
	23CV4707QP	7" New lined shoe	4	23k commercial vehicle grade, Dayton Parts CV23
	SB23CV4707QP	New lined shoebox	2	(2) 23CV4707QP shoes & (1) 4515Q30 kit
	23DS4707QP	7" New lined shoe	4	23k standard grade, Dayton Parts DS23
	SB23DS4707QP	New lined shoebox	2	(2) 23DS4707QP shoes & (1) 4515Q30 kit
	23DP4707QP	7" New lined shoe	4	23k premium grade, Dayton Parts DP23
	SB23DP4707QP	New lined shoebox	2	(2) 23DP4707QP shoes & (1) 4515Q30 kit
	4711QP	8 5/8" Unlined brake shoe	4	4711 brake block - 4711QP shoe available lined only
	21P4711QP	8 5/8" New lined shoe	4	21k premium grade, Marathon HS20
	SB21P4711QP	New lined shoebox	2	(2) 21P4711QP shoes & (1) 4515Q30 kit
	23M4711QP	8 5/8" New lined shoe	4	23k medium grade, Marathon FLOE
	SB23M4711QP	New lined shoebox	2	(2) 23M4711QP shoes & (1) 4515Q30 kit
	21CV4711QP	8 5/8" New lined shoe	4	21k commercial vehicle grade, Dayton Parts CV21
	SB21CV4711QP	New lined shoebox	2	(2) 21CV4711QP shoes & (1) 4515Q30 kit
	23CV4711QP	8 5/8" New lined shoe	4	23k commercial vehicle grade, Dayton Parts CV23
	SB23CV4711QP	New lined shoebox	2	(2) 23CV4711QP shoes & (1) 4515Q30 kit
	23DS4711QP	8 5/8" New lined shoe	4	23k standard grade, Dayton Parts DS23
	SB23DS4711QP	New lined shoebox	2	(2) 23DS4711QP shoes & (1) 4515Q30 kit
	23DP4711QP	8 5/8" New lined shoe	4	23k premium grade, Dayton Parts DP23
	SB23DP4711QP	New lined shoebox	2	(2) 23DP4711QP shoes & (1) 4515Q30 kit

\*Continued on page 87



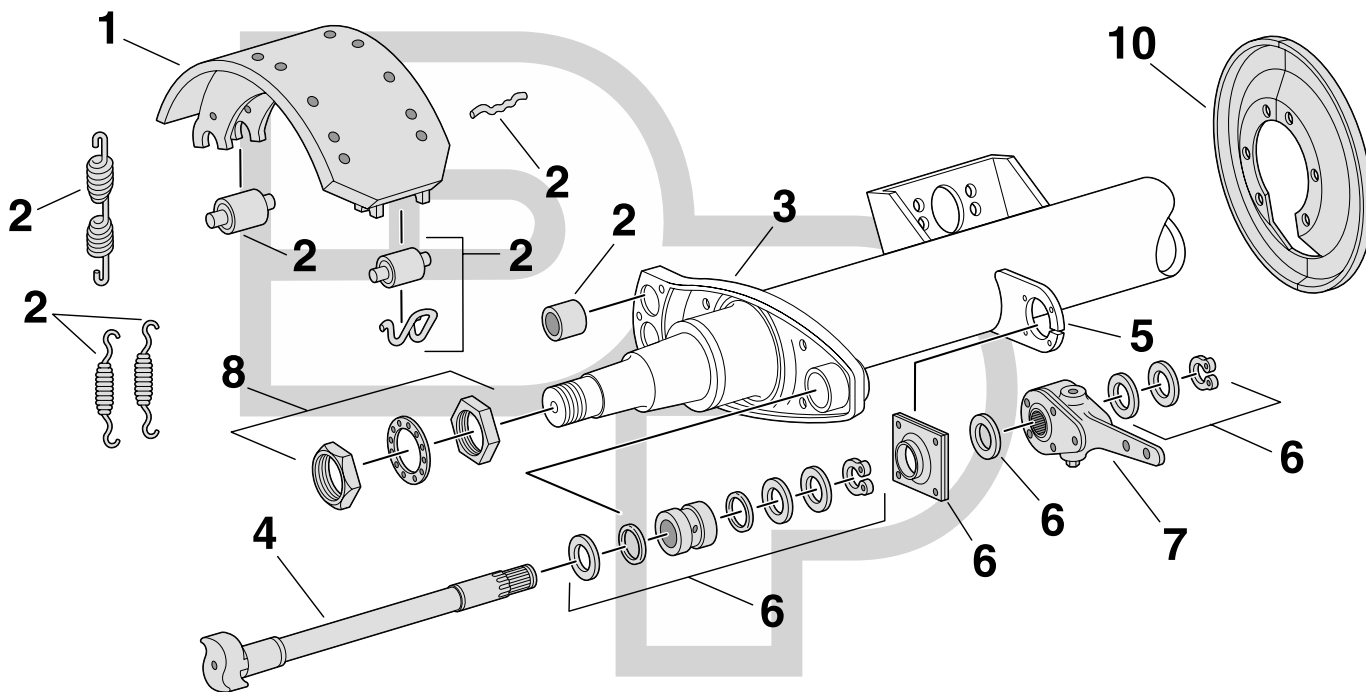
# Trailer axle - HXS series Intraax axle - cam tube - continued

# 16 1/2" Hendrickson

Schematics

Key No.	Part Number	Description	No. Req.	Comments
2	<b>08-108830</b>	OE Equivalent brake kit	2	1 1/4" roller - heavy duty return spring
	<b>4515Q30</b>	Cost-Plus brake kit	2	1 1/4" roller - heavy duty return spring
3	◆	Spider	2	Weld on spider not available
4	<b>Chart</b>	Camshaft	2	1 1/2" spider journal, 1 1/2"-10 spline, see cam section 16 1/2" Hendrickson MG85
	<b>Chart</b>	Camshaft	2	1 1/2" spider journal, 1 1/2"-28 spline, see cam section 16 1/2" Hendrickson MG87
5	—	Camshaft support bracket	2	Suspension air beam used for cam support bracket
6	<b>03-1451HD</b>	Camshaft tube kit	2	Sintered metal bushings, wheel kit only
7	<b>05-201</b>	Manual slack	2	1 1/2"-10 spline, 5 1/2" straight arm - MG85 cam
	<b>05-261</b>	Manual slack - HD	2	1 1/2"-10 spline, 5 1/2" straight arm - MG85 cam
	<b>05-461</b>	Automatic slack	2	1 1/2"-10 spline, 5 1/2" straight arm - Bendix replacement - MG85 cam
	<b>05-561</b>	Automatic slack	2	1 1/2"-10 spline, 5 1/2" straight arm - Crewson replacement - MG85 cam
	<b>05-761</b>	Automatic slack	2	1 1/2"-10 spline, 5 1/2" straight arm - Gunite replacement - MG85 cam
	<b>05-361</b>	Automatic slack	2	1 1/2"-10 spline, 5 1/2" straight arm - Meritor replacement - MG85 cam
	<b>05-203</b>	Manual slack	2	1 1/2"-10 spline, 6" straight arm - MG85 cam
	<b>05-260</b>	Manual slack - HD	2	1 1/2"-10 spline, 6" straight arm - MG85 cam
	<b>05-460</b>	Automatic slack	2	1 1/2"-10 spline, 6" straight arm - Bendix replacement - MG85 cam
	<b>05-560</b>	Automatic slack	2	1 1/2"-10 spline, 6" straight arm - Crewson replacement - MG85 cam
	<b>05-760</b>	Automatic slack	2	1 1/2"-10 spline, 6" straight arm - Gunite replacement - MG85 cam
	<b>05-660</b>	Automatic slack	2	1 1/2"-10 spline, 6" straight arm - Haldex replacement - MG85 cam
	<b>05-360</b>	Automatic slack	2	1 1/2"-10 spline, 6" straight arm - Meritor replacement - MG85 cam
	<b>05-237</b>	Manual slack	2	1 1/2"-28 spline, 5 1/2" straight arm - MG87 cam
	<b>05-263</b>	Manual slack - HD	2	1 1/2"-28 spline, 5 1/2" straight arm - MG87 cam
	<b>05-463</b>	Automatic slack	2	1 1/2"-28 spline, 5 1/2" straight arm - Bendix replacement - MG87 cam
	<b>05-563</b>	Automatic slack	2	1 1/2"-28 spline, 5 1/2" straight arm - Crewson replacement - MG87 cam
	<b>05-763</b>	Automatic slack	2	1 1/2"-28 spline, 5 1/2" straight arm - Gunite replacement - MG87 cam
	<b>05-363</b>	Automatic slack	2	1 1/2"-28 spline, 5 1/2" straight arm - Meritor replacement - MG87 cam
	<b>05-238</b>	Manual slack	2	1 1/2"-28 spline, 6" straight arm - MG87 cam
	<b>05-262</b>	Manual slack - HD	2	1 1/2"-28 spline, 6" straight arm - MG87 cam
	<b>05-462</b>	Automatic slack	2	1 1/2"-28 spline, 6" straight arm - Bendix replacement - MG87 cam
	<b>05-562</b>	Automatic slack	2	1 1/2"-28 spline, 6" straight arm - Crewson replacement - MG87 cam
	<b>05-762</b>	Automatic slack	2	1 1/2"-28 spline, 6" straight arm - Gunite replacement - MG87 cam
	<b>05-662</b>	Automatic slack	2	1 1/2"-28 spline, 6" straight arm - Haldex replacement - MG87 cam
	<b>05-362</b>	Automatic slack	2	1 1/2"-28 spline, 6" straight arm - Meritor replacement - MG87 cam
	8	—	Axle nut assembly	2
10	<b>02-520</b>	Dust shield	2	5" axle - clamps to axle tube
	<b>02-521</b>	Dust shield	2	5.75" axle - clamps to axle tube





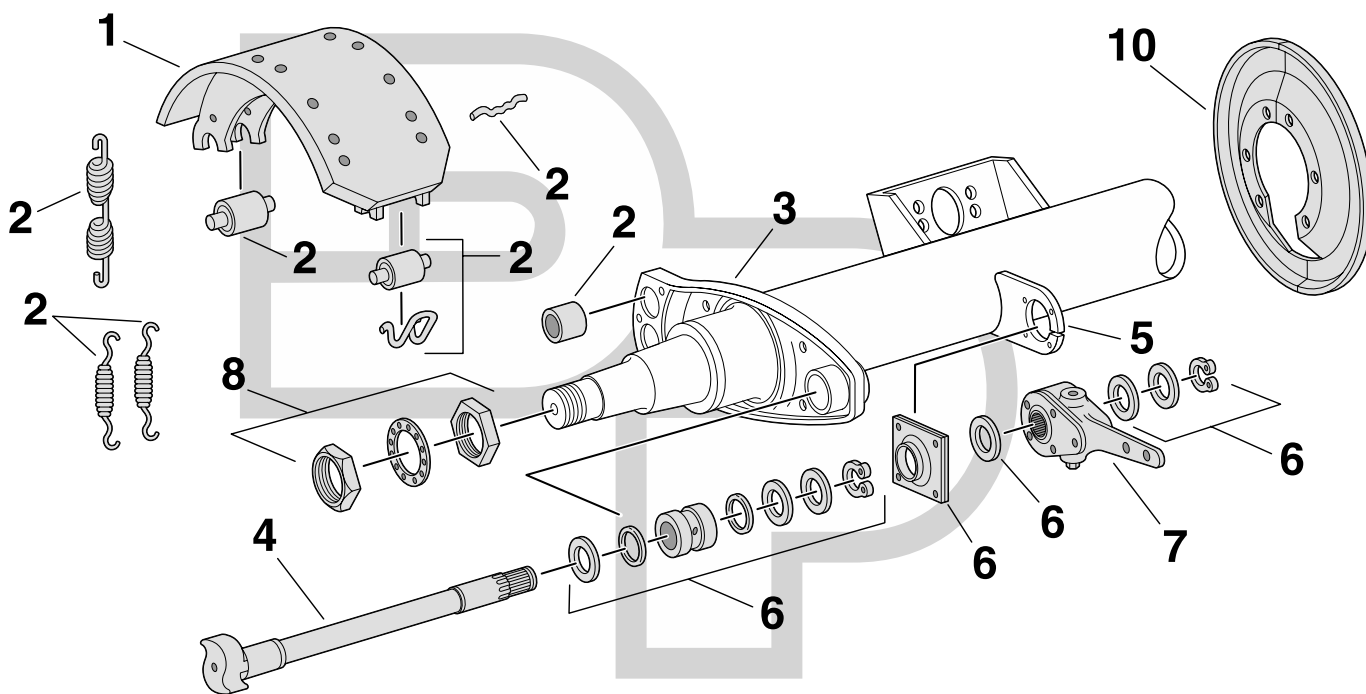
# Trailer axle - HXS series TRLAXLE axle

# 16 1/2" Hendrickson

Schematics

Key No.	Part Number	Description	No. Req.	Comments
1	4707QP	7" Unlined brake shoe	4	4707 brake block - 4707QP shoe available lined only
	20E4707QP	7" New lined shoe	4	20k economy grade, Marathon MV20
	SB20E4707QP	New lined shoebox	2	(2) 20E4707QP shoes & (1) 4515Q30 kit
	20M4707QP	7" New lined shoe	4	20k medium grade, Marathon UB
	SB20M4707QP	New lined shoebox	2	(2) 20M4707QP shoes & (1) 4515Q30 kit
	21P4707QP	7" New lined shoe	4	21k premium grade, Marathon HS20
	SB21P4707QP	New lined shoebox	2	(2) 21P4707QP shoes & (1) 4515Q30 kit
	23E4707QP	7" New lined shoe	4	23k economy grade, Marathon MV23
	SB23E4707QP	New lined shoebox	2	(2) 23E4707QP shoes & (1) 4515Q30 kit
	23F4707QP	7" New lined shoe	4	23k fleet grade, Marathon FS23
	SB23F4707QP	New lined shoebox	2	(2) 23F4707QP shoes & (1) 4515Q30 kit
	23M4707QP	7" New lined shoe	4	23k medium grade, Marathon FLOE
	SB23M4707QP	New lined shoebox	2	(2) 23M4707QP shoes & (1) 4515Q30 kit
	23P4707QP	7" New lined shoe	4	23k premium grade, Marathon HS
	SB23P4707QP	New lined shoebox	2	(2) 23P4707QP shoes & (1) 4515Q30 kit
	23S4707QP	7" New lined shoe	4	23k semi-met combo, Marathon MBC
	SB23S4707QP	New lined shoebox	2	(2) 23S4707QP shoes & (1) 4515Q30 kit
	21CV4707QP	7" New lined shoe	4	21k commercial vehicle grade, Dayton Parts CV21
	SB21CV4707QP	New lined shoebox	2	(2) 21CV4707QP shoes & (1) 4515Q30 kit
	23CV4707QP	7" New lined shoe	4	23k commercial vehicle grade, Dayton Parts CV23
	SB23CV4707QP	New lined shoebox	2	(2) 23CV4707QP shoes & (1) 4515Q30 kit
	23DS4707QP	7" New lined shoe	4	23k standard grade, Dayton Parts DS23
	SB23DS4707QP	New lined shoebox	2	(2) 23DS4707QP shoes & (1) 4515Q30 kit
	23DP4707QP	7" New lined shoe	4	23k premium grade, Dayton Parts DP23
	SB23DP4707QP	New lined shoebox	2	(2) 23DP4707QP shoes & (1) 4515Q30 kit
	4711QP	8 5/8" Unlined brake shoe	4	4711 brake block - 4711QP shoe available lined only
	21P4711QP	8 5/8" New lined shoe	4	21k premium grade, Marathon HS20
	SB21P4711QP	New lined shoebox	2	(2) 21P4711QP shoes & (1) 4515Q30 kit
	23M4711QP	8 5/8" New lined shoe	4	23k medium grade, Marathon FLOE
	SB23M4711QP	New lined shoebox	2	(2) 23M4711QP shoes & (1) 4515Q30 kit
	21CV4711QP	8 5/8" New lined shoe	4	21k commercial vehicle grade, Dayton Parts CV21
	SB21CV4711QP	New lined shoebox	2	(2) 21CV4711QP shoes & (1) 4515Q30 kit
	23CV4711QP	8 5/8" New lined shoe	4	23k commercial vehicle grade, Dayton Parts CV23
	SB23CV4711QP	New lined shoebox	2	(2) 23CV4711QP shoes & (1) 4515Q30 kit
	23DS4711QP	8 5/8" New lined shoe	4	23k standard grade, Dayton Parts DS23
	SB23DS4711QP	New lined shoebox	2	(2) 23DS4711QP shoes & (1) 4515Q30 kit
	23DP4711QP	8 5/8" New lined shoe	4	23k premium grade, Dayton Parts DP23
	SB23DP4711QP	New lined shoebox	2	(2) 23DP4711QP shoes & (1) 4515Q30 kit

\*Continued on page 91

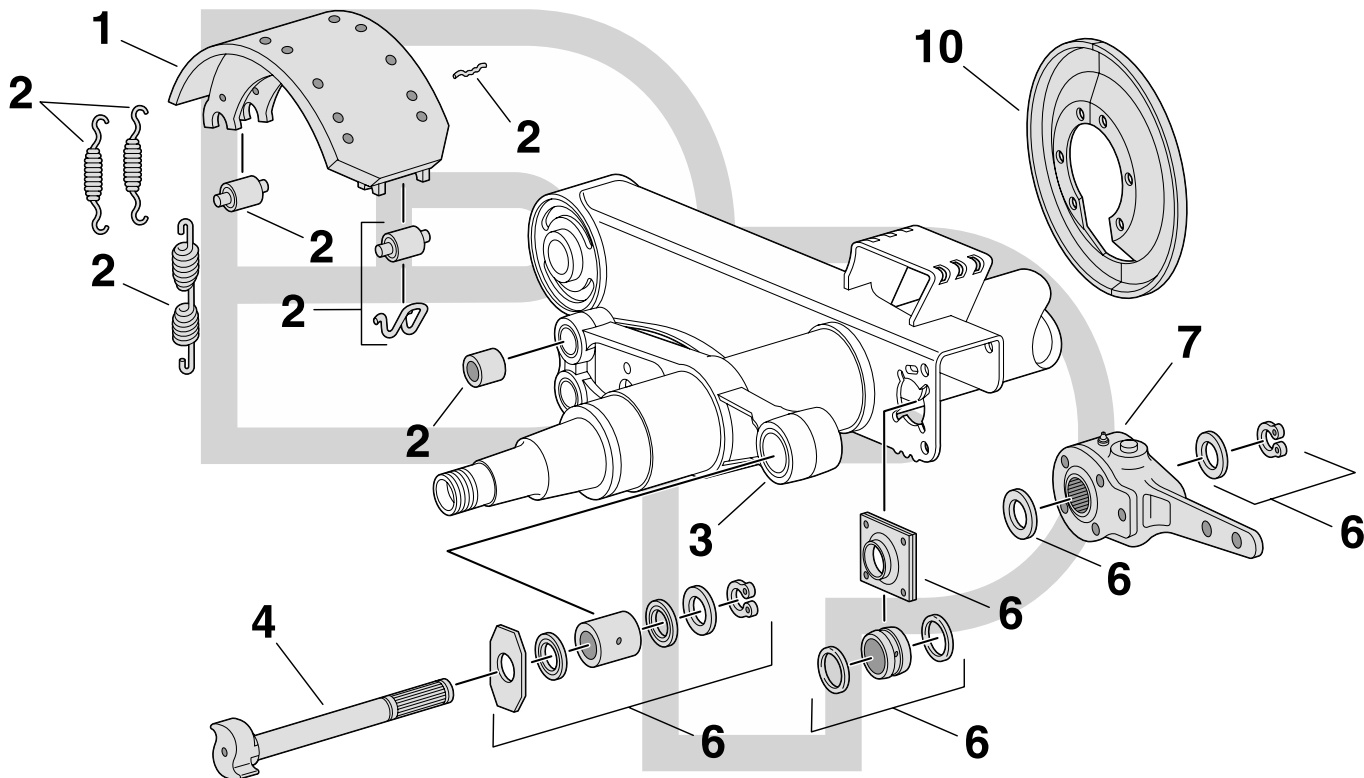


# Trailer axle - HXS series TRLAXLE axle - continued

# 16 1/2" Hendrickson

Schematics

Key No.	Part Number	Description	No. Req.	Comments
2	<b>08-108830</b>	OE Equivalent brake kit	2	1 1/4" roller - heavy duty return spring
	<b>4515Q30</b>	Cost-Plus brake kit	2	1 1/4" roller - heavy duty return spring
3	◆	Spider	2	Weld on spider not available
4	<b>Chart</b>	Camshaft	2	1 5/8" spider journal, 1 1/2"-10 spline, see cam section 16 1/2" Hendrickson MG55
	<b>Chart</b>	Camshaft	2	1 5/8" spider journal, 1 1/2"-28 spline, see cam section 16 1/2" Hendrickson MG56
5	—	Camshaft support bracket	2	Support bracket not available
6	<b>08-130403</b>	Camshaft kit	2	Sintered metal spider bushing w/03-2151 & 03-2152 support bushings
7	<b>05-201</b>	Manual slack	2	1 1/2"-10 spline, 5 1/2" straight arm - MG55 cam
	<b>05-261</b>	Manual slack - HD	2	1 1/2"-10 spline, 5 1/2" straight arm - MG55 cam
	<b>05-461</b>	Automatic slack	2	1 1/2"-10 spline, 5 1/2" straight arm - Bendix replacement - MG55 cam
	<b>05-561</b>	Automatic slack	2	1 1/2"-10 spline, 5 1/2" straight arm - Crewson replacement - MG55 cam
	<b>05-761</b>	Automatic slack	2	1 1/2"-10 spline, 5 1/2" straight arm - Gunitite replacement - MG55 cam
	<b>05-361</b>	Automatic slack	2	1 1/2"-10 spline, 5 1/2" straight arm - Meritor replacement - MG55 cam
	<b>05-203</b>	Manual slack	2	1 1/2"-10 spline, 6" straight arm - MG55 cam
	<b>05-260</b>	Manual slack - HD	2	1 1/2"-10 spline, 6" straight arm - MG55 cam
	<b>05-460</b>	Automatic slack	2	1 1/2"-10 spline, 6" straight arm - Bendix replacement - MG55 cam
	<b>05-560</b>	Automatic slack	2	1 1/2"-10 spline, 6" straight arm - Crewson replacement - MG55 cam
	<b>05-760</b>	Automatic slack	2	1 1/2"-10 spline, 6" straight arm - Gunitite replacement - MG55 cam
	<b>05-660</b>	Automatic slack	2	1 1/2"-10 spline, 6" straight arm - Haldex replacement - MG55 cam
	<b>05-360</b>	Automatic slack	2	1 1/2"-10 spline, 6" straight arm - Meritor replacement - MG55 cam
	<b>05-237</b>	Manual slack	2	1 1/2"-28 spline, 5 1/2" straight arm - MG56 cam
	<b>05-263</b>	Manual slack - HD	2	1 1/2"-28 spline, 5 1/2" straight arm - MG56 cam
	<b>05-463</b>	Automatic slack	2	1 1/2"-28 spline, 5 1/2" straight arm - Bendix replacement - MG56 cam
	<b>05-563</b>	Automatic slack	2	1 1/2"-28 spline, 5 1/2" straight arm - Crewson replacement - MG56 cam
	<b>05-763</b>	Automatic slack	2	1 1/2"-28 spline, 5 1/2" straight arm - Gunitite replacement - MG56 cam
	<b>05-363</b>	Automatic slack	2	1 1/2"-28 spline, 5 1/2" straight arm - Meritor replacement - MG56 cam
	<b>05-238</b>	Manual slack	2	1 1/2"-28 spline, 6" straight arm - MG56 cam
	<b>05-262</b>	Manual slack - HD	2	1 1/2"-28 spline, 6" straight arm - MG56 cam
	<b>05-462</b>	Automatic slack	2	1 1/2"-28 spline, 6" straight arm - Bendix replacement - MG56 cam
	<b>05-562</b>	Automatic slack	2	1 1/2"-28 spline, 6" straight arm - Crewson replacement - MG56 cam
	<b>05-762</b>	Automatic slack	2	1 1/2"-28 spline, 6" straight arm - Gunitite replacement - MG56 cam
	<b>05-662</b>	Automatic slack	2	1 1/2"-28 spline, 6" straight arm - Haldex replacement - MG56 cam
	<b>05-362</b>	Automatic slack	2	1 1/2"-28 spline, 6" straight arm - Meritor replacement - MG56 cam
8	—	Axle nut assembly	2	See 213 catalog
10	<b>02-520</b>	Dust shield	2	5" axle - clamps to axle tube
	<b>02-521</b>	Dust shield	2	5.75" axle - clamps to axle tube

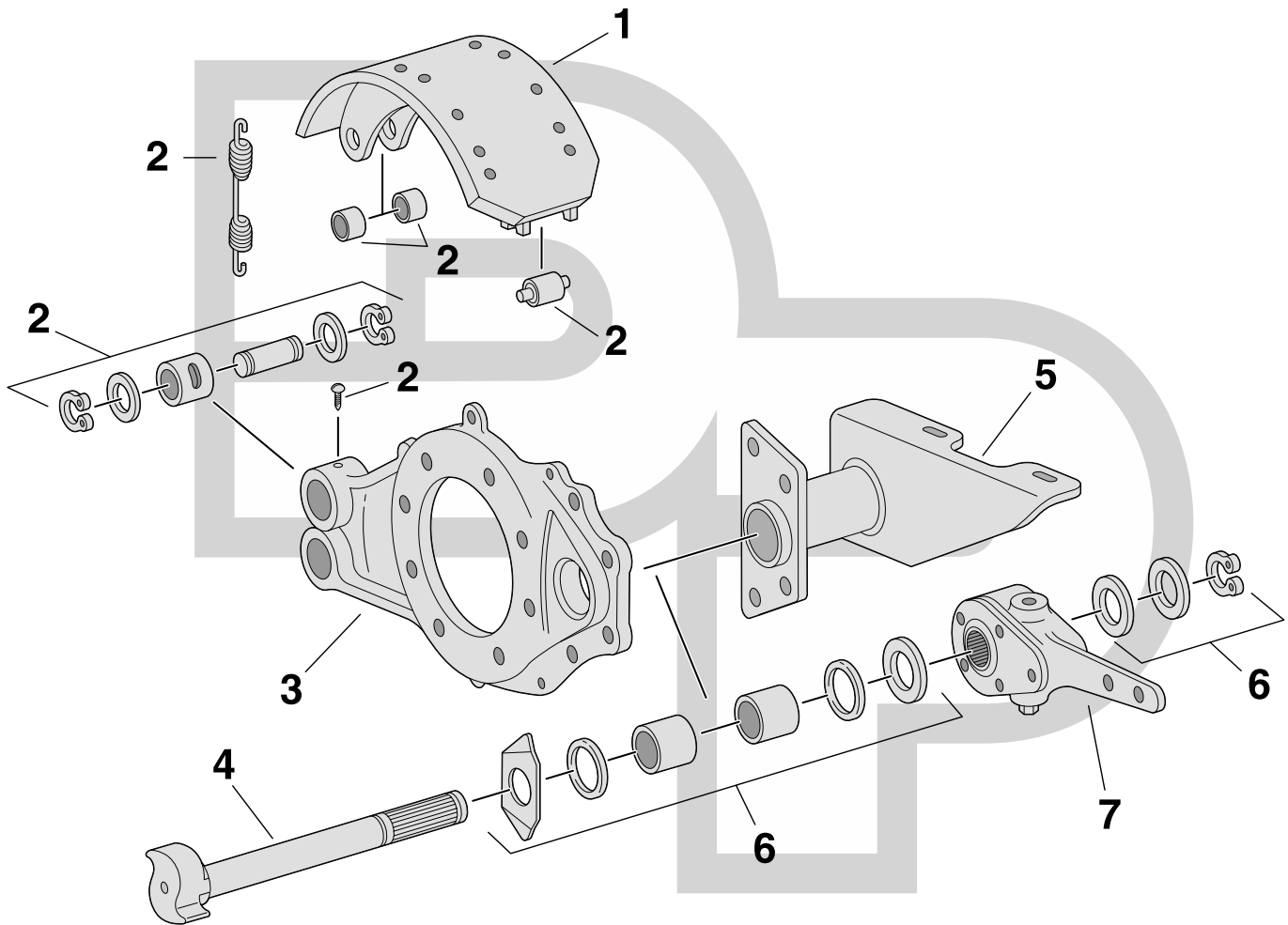


# Trailer axle - Standard series Intraax axle

# 16 1/2" Hendrickson

Schematics

Key No.	Part Number	Description	No. Req.	Comments
1	4515Q	7" Unlined brake shoe	4	4515E brake block - 4515Q shoe available lined only
	20E4515Q	7" New lined shoe	4	20k economy grade, Marathon MV20
	SB20E4515Q	New lined shoebox	2	(2) 20E4515Q shoes & (1) 4515Q30 kit
	20M4515Q	7" New lined shoe	4	20k medium grade, Marathon UB
	SB20M4515Q	New lined shoebox	2	(2) 20M4515Q shoes & (1) 4515Q30 kit
	21P4515Q	7" New lined shoe	4	21k premium grade, Marathon HS20
	SB21P4515Q	New lined shoebox	2	(2) 21P4515Q shoes & (1) 4515Q30 kit
	23E4515Q	7" New lined shoe	4	23k economy grade, Marathon MV23
	SB23E4515Q	New lined shoebox	2	(2) 23E4515Q shoes & (1) 4515Q30 kit
	23F4515Q	7" New lined shoe	4	23k fleet grade, Marathon FS23
	SB23F4515Q	New lined shoebox	2	(2) 23F4515Q shoes & (1) 4515Q30 kit
	23M4515Q	7" New lined shoe	4	23k medium grade, Marathon FLOE
	SB23M4515Q	New lined shoebox	2	(2) 23M4515Q shoes & (1) 4515Q30 kit
	23P4515Q	7" New lined shoe	4	23k premium grade, Marathon HS
	SB23P4515Q	New lined shoebox	2	(2) 23P4515Q shoes & (1) 4515Q30 kit
	23DS4515Q	7" New lined shoe	4	23k standard grade, Dayton Parts DS23
	SB23DS4515Q	New lined shoebox	2	(2) 23DS4515Q shoes & (1) 4515Q30 kit
	23DP4515Q	7" New lined shoe	4	23k premium grade, Dayton Parts DP23
SB23DP4515Q	New lined shoebox	2	(2) 23DP4515Q shoes & (1) 4515Q30 kit	
2	08-108830	OE Equivalent brake kit	2	1 1/4" roller - heavy duty return spring
	4515Q30	Cost-Plus brake kit	2	1 1/4" roller - heavy duty return spring
3	◆	Spider	2	Weld on spider not available
4	Chart	Camshaft	2	1 1/2" spider journal, 1 1/2"-28 spline, see cam section 16 1/2" Hendrickson MG86
5	—	Camshaft support bracket	2	Suspension air beam used for cam support bracket
6	08-130300	Camshaft kit	1	1 7/8" OD Sintered metal spider bushing to 11/97 w/support bushings & o-rings
	08-130301	Camshaft kit	1	1 7/8" OD Sintered metal spider bushing to 11/97 w/03-2091 support bushing - zerk screws into retainer plate
7	05-237	Manual slack	2	1 1/2"-28 spline, 5 1/2" straight arm
	05-263	Manual slack - HD	2	1 1/2"-28 spline, 5 1/2" straight arm
	05-463	Automatic slack	2	1 1/2"-28 spline, 5 1/2" straight arm - Bendix replacement
	05-563	Automatic slack	2	1 1/2"-28 spline, 5 1/2" straight arm - Crewson replacement
	05-763	Automatic slack	2	1 1/2"-28 spline, 5 1/2" straight arm - Gunite replacement
	05-363	Automatic slack	2	1 1/2"-28 spline, 5 1/2" straight arm - Meritor replacement
	05-238	Manual slack	2	1 1/2"-28 spline, 6" straight arm
	05-262	Manual slack - HD	2	1 1/2"-28 spline, 6" straight arm
	05-462	Automatic slack	2	1 1/2"-28 spline, 6" straight arm - Bendix replacement
	05-562	Automatic slack	2	1 1/2"-28 spline, 6" straight arm - Crewson replacement
	05-762	Automatic slack	2	1 1/2"-28 spline, 6" straight arm - Gunite replacement
	05-662	Automatic slack	2	1 1/2"-28 spline, 6" straight arm - Haldex replacement
05-362	Automatic slack	2	1 1/2"-28 spline, 6" straight arm - Meritor replacement	
8	—	Axle nut assembly	2	See 213 catalog, Not Shown
10	02-520	Dust shield	2	5" axle - clamps to axle tube



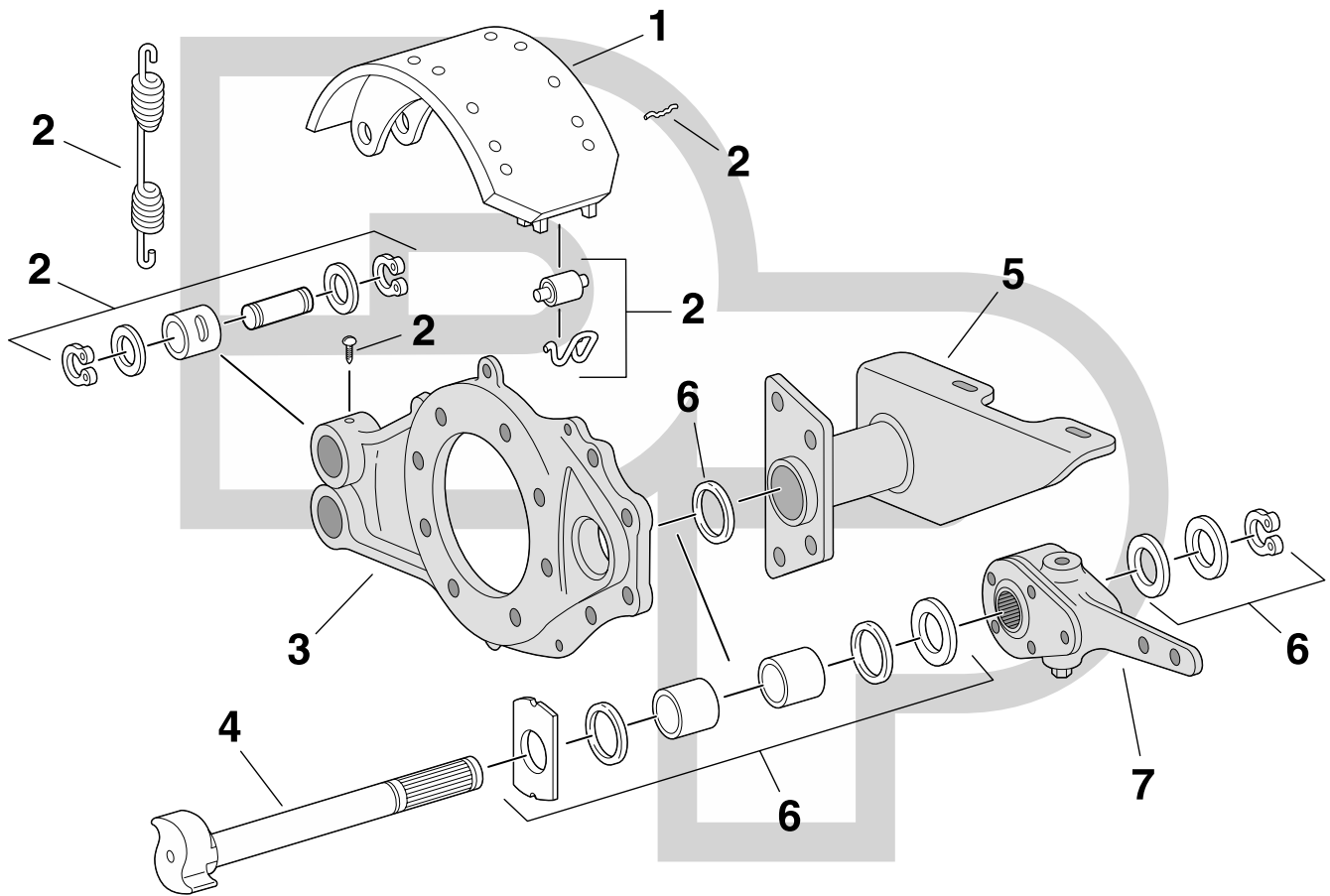


# Steer axle - Cast-Plus series

# 16 1/2" Rockwell

Schematics

Key No.	Part Number	Description	No. Req.	Comments
1	<b>4715CP</b>	6" Unlined brake shoe	4	4715A brake block - 4715CP shoe available lined only
	<b>26T4715CP</b>	6" New lined shoe	4	26k transit grade, Marathon KVT
	<b>4715AD-KVT</b>	Marathon KVT	1	26k transit grade, Marathon KVT - standard (1) box lines (4) shoes
	<b>01-617</b>	Brake block bolt assy	96	1/4"-28 x 1" brass plated bolts w/keps lock nuts (100/box)
2	<b>08-126130</b>	OE Equivalent brake kit	2	1 1/4" roller - 01-3751 return spring
3	<b>SP</b>	Spider	2	Special order part
4	<b>Chart</b>	Camshaft	2	1 1/2" spider journal, 1 1/2"-28 spline, see cam section 16 1/2" Rockwell MG48
5	<b>SP</b>	Camshaft support tube	2	Special order part
6	<b>08-131810</b>	Camshaft kit	1	Sintered metal spider bushing
7	<b>05-463</b>	Automatic slack	2	1 1/2"-28 spline, 5 1/2" straight arm - Bendix replacement
	<b>05-563</b>	Automatic slack	2	1 1/2"-28 spline, 5 1/2" straight arm - Crewson replacement
	<b>05-763</b>	Automatic slack	2	1 1/2"-28 spline, 5 1/2" straight arm - Gunite replacement
	<b>05-363</b>	Automatic slack	2	1 1/2"-28 spline, 5 1/2" straight arm - Meritor replacement
8	—	Axle nut assembly	2	See 213 catalog, Not Shown

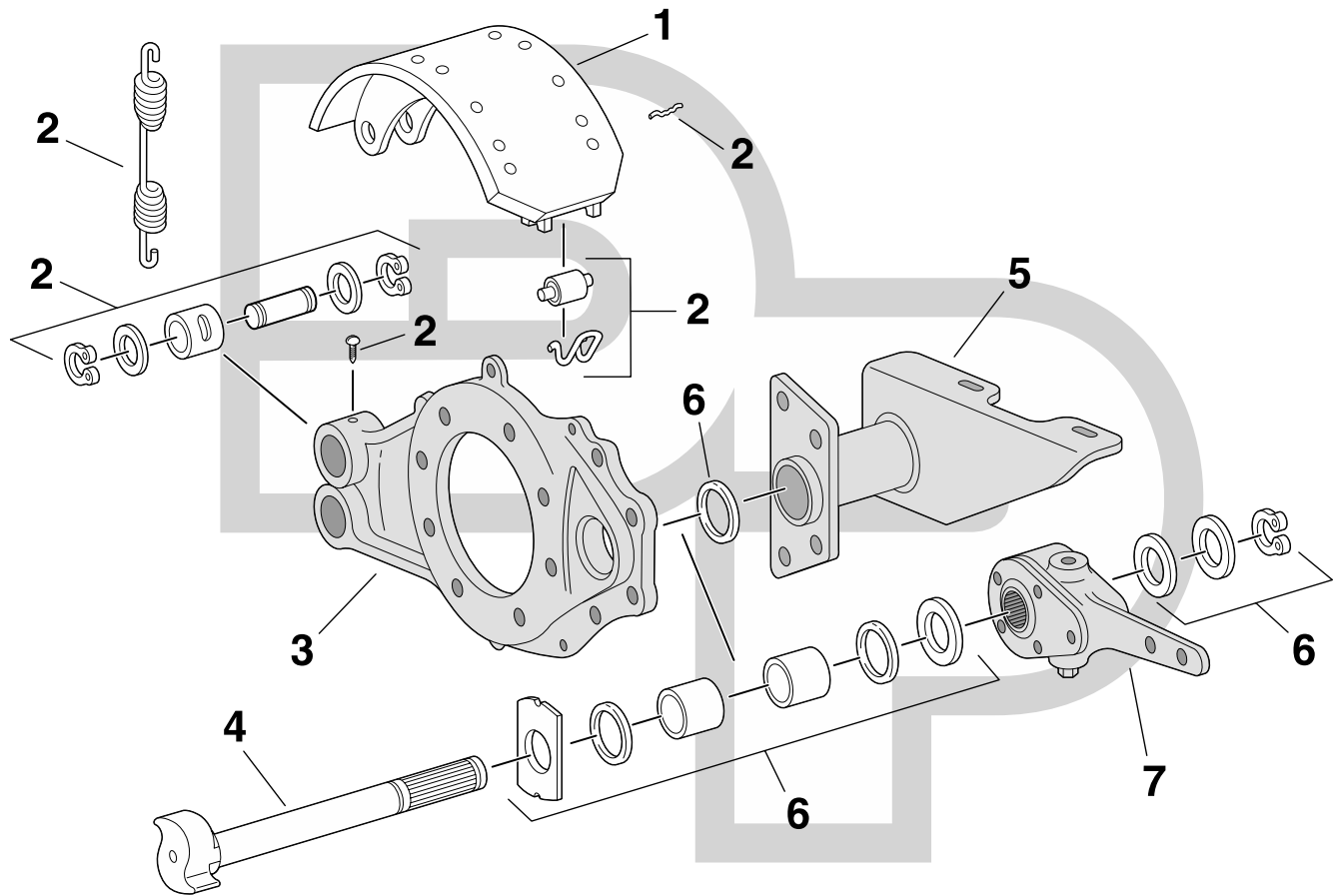


# Steer axle - P series

# 16 1/2" Rockwell

Schematics

Key No.	Part Number	Description	No. Req.	Comments
1	◆	5" Unlined brake shoe	4	4524B brake block - P shoe no longer available, replace w/4720QP shoe & kits w/MG48 cams & 28 spline slacks both wheel ends per axle
	20M4720QP	5" New lined shoe	4	20k medium grade, Marathon UB
	SB20M4720QPS	New lined shoebox	2	(2) 20M4720QP shoes & (1) 4524MQ30 kit
	21P4720QP	5" New lined shoe	4	21k premium grade, Marathon HS20
	SB21P4720QPS	New lined shoebox	2	(2) 21P4720QP shoes & (1) 4524MQ30 kit
	23M4720QP	5" New lined shoe	4	23k medium grade, Marathon FLOE
	SB23M4720QPS	New lined shoebox	2	(2) 23M4720QP shoes & (1) 4524MQ30 kit
	26T4720QP	5" New lined shoe	4	26k transit grade, Marathon KVT
	SB26T4720QPS	New lined shoebox	2	(2) 26T4720QP shoes & (1) 4524MQ30 kit
	21CV4720QP	5" New lined shoe	4	21k commercial vehicle grade, Dayton Parts CV21
	SB21CV4720QPS	New lined shoebox	2	(2) 21CV4720QP shoes & (1) 4524MQ30 kit
	23CV4720QP	5" New lined shoe	4	23k commercial vehicle grade, Dayton Parts CV23
	SB23CV4720QPS	New lined shoebox	2	(2) 23CV4720QP shoes & (1) 4524MQ30 kit
	23DS4720QP	5" New lined shoe	4	23k standard grade, Dayton Parts DS23
	SB23DS4720QPS	New lined shoebox	2	(2) 23DS4720QP shoes & (1) 4524MQ30 kit
	23DP4720QP	5" New lined shoe	4	23k premium grade, Dayton Parts DP23
	SB23DP4720QPS	New lined shoebox	2	(2) 23DP4720QP shoes & (1) 4524MQ30 kit
	◆	6" Unlined brake shoe	4	4514G brake block - P shoe no longer available, replace w/4715QP shoes & kits w/MG48 cams & 28 spline slacks both wheel ends per axle
	20M4715QP	6" New lined shoe	4	20k medium grade, Marathon UB
	SB20M4715QPS	New lined shoebox	2	(2) 20M4715QP shoes & (1) 4524MQ30 kit
	21P4715QP	6" New lined shoe	4	21k premium grade, Marathon HS20
	SB21P4715QPS	New lined shoebox	2	(2) 21P4715QP shoes & (1) 4524MQ30 kit
	23M4715QP	6" New lined shoe	4	23k medium grade, Marathon FLOE
	SB23M4715QPS	New lined shoebox	2	(2) 23M4715QP shoes & (1) 4524MQ30 kit
	26T4715QP	6" New lined shoe	4	26k transit grade, Marathon KVT
	SB26T4715QPS	New lined shoebox	2	(2) 23M4715QP shoes & (1) 4524MQ30 kit
	21CV4715QP	6" New lined shoe	4	21k commercial vehicle grade, Dayton Parts CV21
	SB21CV4715QPS	New lined shoebox	2	(2) 21CV4715QP shoes & (1) 4524MQ30 kit
	23CV4715QP	6" New lined shoe	4	23k commercial vehicle grade, Dayton Parts CV23
	SB23CV4715QPS	New lined shoebox	2	(2) 23CV4715QP shoes & (1) 4524MQ30 kit
	23DS4715QP	6" New lined shoe	4	23k standard grade, Dayton Parts DS23
	SB23DS4715QPS	New lined shoebox	2	(2) 23DS4715QP shoes & (1) 4524MQ30 kit
	23DP4715QP	6" New lined shoe	4	23k premium grade, Dayton Parts DP23
	SB23DP4715QPS	New lined shoebox	2	(2) 23DP4715QP shoes & (1) 4524MQ30 kit
2	08-111630	OE Equivalent brake kit	2	1 1/4" roller - 01-3751 return spring - QP shoe
	4524MQ30	Cost-Plus brake kit	2	1 1/4" roller - 01-3751 return spring - QP shoe
3	SP	Spider	2	Special order part
4	Chart	Camshaft	2	1 1/2" spider journal, 1 1/2"-10 spline - MG45 cams no longer available, replace w/MG48 cams & 28 spline slacks both wheel ends per axle
5	SP	Camshaft support tube	2	Special order part
6	08-131800	Camshaft kit	1	Nylatron spider bushing - MG48 cam
	08-131810	Camshaft kit	1	Sintered metal spider bushing - MG48 cam
7	05-237	Manual slack	2	1 1/2"-28 spline, 5 1/2" straight arm - MG48 cam
	05-263	Manual slack - HD	2	1 1/2"-28 spline, 5 1/2" straight arm - MG48 cam
	05-463	Automatic slack	2	1 1/2"-28 spline, 5 1/2" straight arm - Bendix replacement - MG48 cam
	05-563	Automatic slack	2	1 1/2"-28 spline, 5 1/2" straight arm - Crewson replacement - MG48 cam
	05-763	Automatic slack	2	1 1/2"-28 spline, 5 1/2" straight arm - Gunite replacement - MG48 cam
	05-363	Automatic slack	2	1 1/2"-28 spline, 5 1/2" straight arm - Meritor replacement - MG48 cam
8	—	Axle nut assembly	2	See 213 catalog, Not Shown

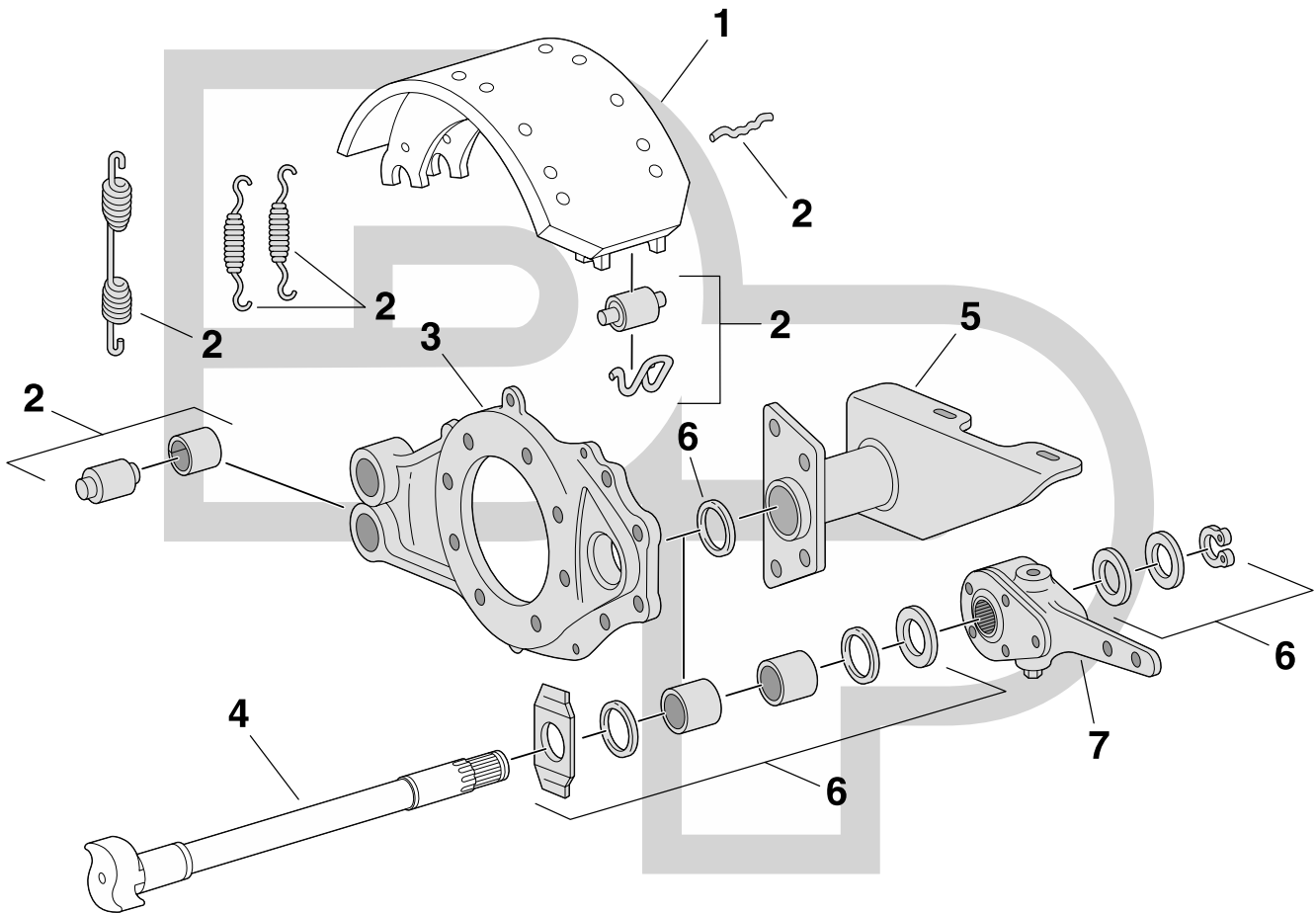


# Steer axle - P series Mack

# 16 1/2" Rockwell

Schematics

Key No.	Part Number	Description	No. Req.	Comments
1	◆	5" Unlined brake shoe	4	4524B brake block - Mack P shoe no longer available, replace w/4720QP shoe & kits w/MG48 cams & 28 spline slacks both wheel ends per axle
	20M4720QP	5" New lined shoe	4	20k medium grade, Marathon UB
	SB20M4720QPS	New lined shoebox	2	(2) 20M4720QP shoes & (1) 4524MQ30 kit
	21P4720QP	5" New lined shoe	4	21k premium grade, Marathon HS20
	SB21P4720QPS	New lined shoebox	2	(2) 21P4720QP shoes & (1) 4524MQ30 kit
	23M4720QP	5" New lined shoe	4	23k medium grade, Marathon FLOE
	SB23M4720QPS	New lined shoebox	2	(2) 23M4720QP shoes & (1) 4524MQ30 kit
	26T4720QP	5" New lined shoe	4	26k transit grade, Marathon KVT
	SB26T4720QPS	New lined shoebox	2	(2) 26T4720QP shoes & (1) 4524MQ30 kit
	21CV4720QP	5" New lined shoe	4	21k commercial vehicle grade, Dayton Parts CV21
	SB21CV4720QPS	New lined shoebox	2	(2) 21CV4720QP shoes & (1) 4524MQ30 kit
	23CV4720QP	5" New lined shoe	4	23k commercial vehicle grade, Dayton Parts CV23
	SB23CV4720QPS	New lined shoebox	2	(2) 23CV4720QP shoes & (1) 4524MQ30 kit
	23DS4720QP	5" New lined shoe	4	23k standard grade, Dayton Parts DS23
	SB23DS4720QPS	New lined shoebox	2	(2) 23DS4720QP shoes & (1) 4524MQ30 kit
	23DP4720QP	5" New lined shoe	4	23k premium grade, Dayton Parts DP23
	SB23DP4720QPS	New lined shoebox	2	(2) 23DP4720QP shoes & (1) 4524MQ30 kit
	◆	6" Unlined brake shoe	4	4514G brake block - Mack P shoe no longer available, replace w/4715QP shoes & kits w/MG48 cams & 28 spline slacks both wheel ends per axle
	20M4715QP	6" New lined shoe	4	20k medium grade, Marathon UB
	SB20M4715QPS	New lined shoebox	2	(2) 20M4715QP shoes & (1) 4524MQ30 kit
	21P4715QP	6" New lined shoe	4	21k premium grade, Marathon HS20
	SB21P4715QPS	New lined shoebox	2	(2) 21P4715QP shoes & (1) 4524MQ30 kit
	23M4715QP	6" New lined shoe	4	23k medium grade, Marathon FLOE
	SB23M4715QPS	New lined shoebox	2	(2) 23M4715QP shoes & (1) 4524MQ30 kit
	26T4715QP	6" New lined shoe	4	26k transit grade, Marathon KVT
	SB26T4715QPS	New lined shoebox	2	(2) 23M4715QP shoes & (1) 4524MQ30 kit
	21CV4715QP	6" New lined shoe	4	21k commercial vehicle grade, Dayton Parts CV21
	SB21CV4715QPS	New lined shoebox	2	(2) 21CV4715QP shoes & (1) 4524MQ30 kit
	23CV4715QP	6" New lined shoe	4	23k commercial vehicle grade, Dayton Parts CV23
	SB23CV4715QPS	New lined shoebox	2	(2) 23CV4715QP shoes & (1) 4524MQ30 kit
	23DS4715QP	6" New lined shoe	4	23k standard grade, Dayton Parts DS23
	SB23DS4715QPS	New lined shoebox	2	(2) 23DS4715QP shoes & (1) 4524MQ30 kit
23DP4715QP	6" New lined shoe	4	23k premium grade, Dayton Parts DP23	
SB23DP4715QPS	New lined shoebox	2	(2) 23DP4715QP shoes & (1) 4524MQ30 kit	
2	08-111630	OE Equivalent brake kit	2	1 1/4" roller - 01-3751 return spring - QP shoe
	4524MQ30	Cost-Plus brake kit	2	1 1/4" roller - 01-3751 return spring - QP shoe
3	SP	Spider	2	Special order part
4	Chart	Camshaft	2	1 1/2" spider journal, 1 1/2"-10 spline - MG27 cams no longer available, replace w/MG48 cams & 28 spline slacks both wheel ends per axle
5	SP	Camshaft support tube	2	Special order part
6	08-131800	Camshaft kit	1	Nylatron spider bushing - MG48 cam
	08-131810	Camshaft kit	1	Sintered metal spider bushing - MG48 cam
7	05-237	Manual slack	2	1 1/2"-28 spline, 5 1/2" straight arm - MG48 cam
	05-263	Manual slack - HD	2	1 1/2"-28 spline, 5 1/2" straight arm - MG48 cam
	05-463	Automatic slack	2	1 1/2"-28 spline, 5 1/2" straight arm - Bendix replacement - MG48 cam
	05-563	Automatic slack	2	1 1/2"-28 spline, 5 1/2" straight arm - Crewson replacement - MG48 cam
	05-763	Automatic slack	2	1 1/2"-28 spline, 5 1/2" straight arm - Gunitite replacement - MG48 cam
	05-363	Automatic slack	2	1 1/2"-28 spline, 5 1/2" straight arm - Meritor replacement - MG48 cam
8	—	Axle nut assembly	2	See 213 catalog, Not Shown



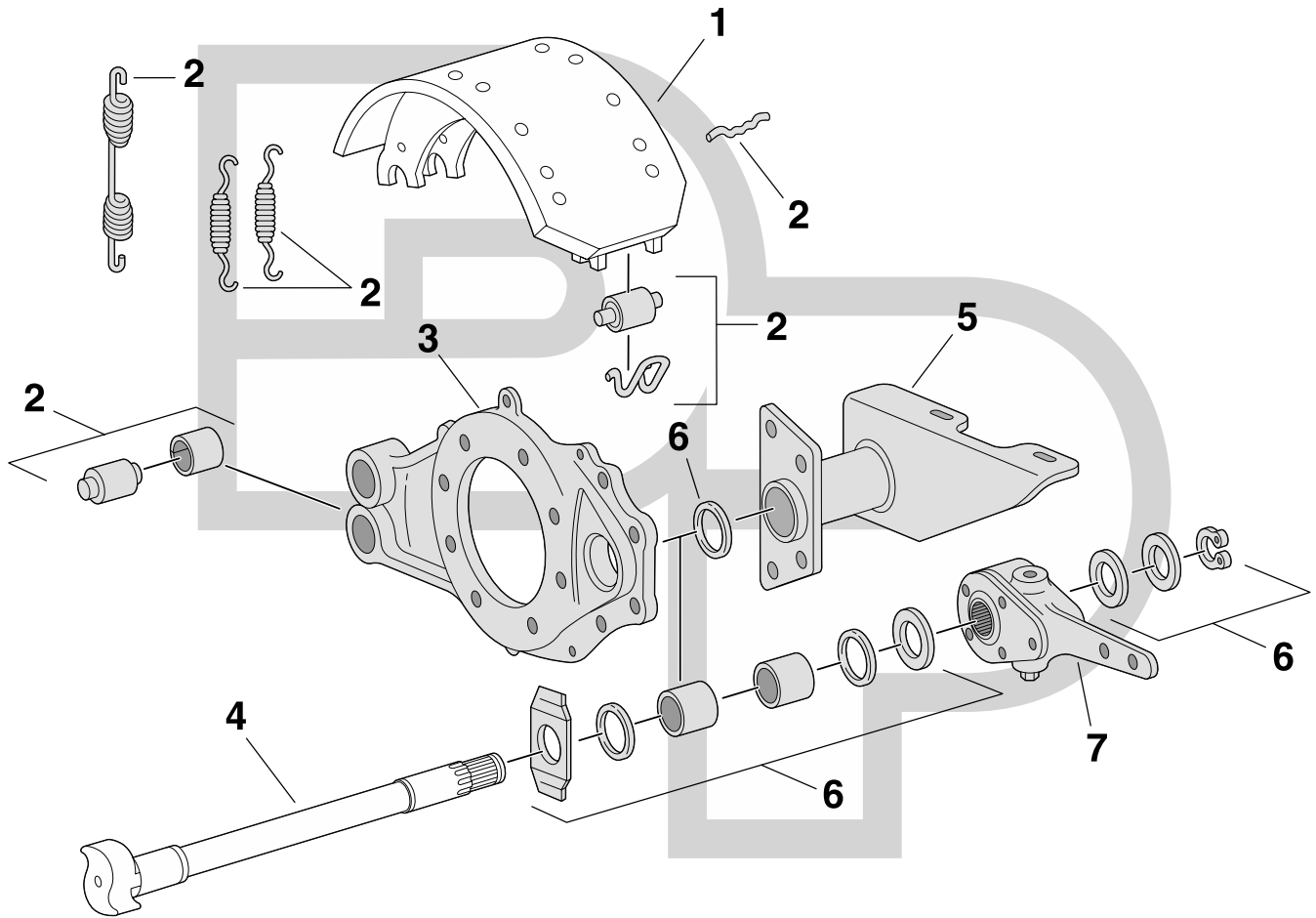
# Steer axle - Q series

# 16 1/2" Rockwell

Schematics

Key No.	Part Number	Description	No. Req.	Comments
1	◆	5" Unlined brake shoe	4	4524B brake block - Q shoe no longer available, replace w/4720QP shoes & kits w/MG48 cams both wheel ends per axle
	20M4720QP	5" New lined shoe	4	20k medium grade, Marathon UB
	SB20M4720QPS	New lined shoebox	2	(2) 20M4720QP shoes & (1) 4524MQ30 kit
	21P4720QP	5" New lined shoe	4	21k premium grade, Marathon HS20
	SB21P4720QPS	New lined shoebox	2	(2) 21P4720QP shoes & (1) 4524MQ30 kit
	23M4720QP	5" New lined shoe	4	23k medium grade, Marathon FLOE
	SB23M4720QPS	New lined shoebox	2	(2) 23M4720QP shoes & (1) 4524MQ30 kit
	26T4720QP	5" New lined shoe	4	26k transit grade, Marathon KVT
	SB26T4720QPS	New lined shoebox	2	(2) 26T4720QP shoes & (1) 4524MQ30 kit
	21CV4720QP	5" New lined shoe	4	21k commercial vehicle grade, Dayton Parts CV21
	SB21CV4720QPS	New lined shoebox	2	(2) 21CV4720QP shoes & (1) 4524MQ30 kit
	23CV4720QP	5" New lined shoe	4	23k commercial vehicle grade, Dayton Parts CV23
	SB23CV4720QPS	New lined shoebox	2	(2) 23CV4720QP shoes & (1) 4524MQ30 kit
	23DS4720QP	5" New lined shoe	4	23k standard grade, Dayton Parts DS23
	SB23DS4720QPS	New lined shoebox	2	(2) 23DS4720QP shoes & (1) 4524MQ30 kit
	23DP4720QP	5" New lined shoe	4	23k premium grade, Dayton Parts DP23
	SB23DP4720QPS	New lined shoebox	2	(2) 23DP4720QP shoes & (1) 4524MQ30 kit
	◆	6" Unlined brake shoe	4	4514G brake block - Q shoe available lined only, replace w/4715QP shoe & kits w/MG48 cams both wheel ends per axle
	20M4715QP	6" New lined shoe	4	20k medium grade, Marathon UB
	SB20M4715QPS	New lined shoebox	2	(2) 20M4715QP shoes & (1) 4524MQ30 kit
	21P4715QP	6" New lined shoe	4	21k premium grade, Marathon HS20
	SB21P4715QPS	New lined shoebox	2	(2) 21P4715QP shoes & (1) 4524MQ30 kit
	23M4715QP	6" New lined shoe	4	23k medium grade, Marathon FLOE
	SB23M4715QPS	New lined shoebox	2	(2) 23M4715QP shoes & (1) 4524MQ30 kit
	26T4715QP	6" New lined shoe	4	26k transit grade, Marathon KVT
	SB26T4715QPS	New lined shoebox	2	(2) 26T4715QP shoes & (1) 4524MQ30 kit
	21CV4715QP	6" New lined shoe	4	21k commercial vehicle grade, Dayton Parts CV21
	SB21CV4715QPS	New lined shoebox	2	(2) 21CV4715QP shoes & (1) 4524MQ30 kit
	23CV4715QP	6" New lined shoe	4	23k commercial vehicle grade, Dayton Parts CV23
	SB23CV4715QPS	New lined shoebox	2	(2) 23CV4715QP shoes & (1) 4524MQ30 kit
	23DS4715QP	6" New lined shoe	4	23k standard grade, Dayton Parts DS23
	SB23DS4715QPS	New lined shoebox	2	(2) 23DS4715QP shoes & (1) 4524MQ30 kit
	23DP4715QP	6" New lined shoe	4	23k premium grade, Dayton Parts DP23
SB23DP4715QPS	New lined shoebox	2	(2) 23DP4715QP shoes & (1) 4524MQ30 kit	
2	08-111630	OE Equivalent brake kit	2	1 1/4" roller - 01-3751 return spring - QP shoe
	4524MQ30	Cost-Plus brake kit	2	1 1/4" roller - 01-3751 return spring - QP shoe
3	SP	Spider	2	Special order part
4	Chart	Camshaft	2	1 1/2" spider journal, 1 1/2"-28 spline - MG46 cams no longer available, replace w/MG48 cams both wheel ends per axle
5	SP	Camshaft support tube	2	Special order part
6	08-131800	Camshaft kit	1	Nylatron spider bushing
	08-131810	Camshaft kit	1	Sintered metal spider bushing
7	05-237	Manual slack	2	1 1/2"-28 spline, 5 1/2" straight arm
	05-263	Manual slack - HD	2	1 1/2"-28 spline, 5 1/2" straight arm
	05-463	Automatic slack	2	1 1/2"-28 spline, 5 1/2" straight arm - Bendix replacement
	05-563	Automatic slack	2	1 1/2"-28 spline, 5 1/2" straight arm - Crewson replacement
	05-763	Automatic slack	2	1 1/2"-28 spline, 5 1/2" straight arm - Gunitite replacement
	05-363	Automatic slack	2	1 1/2"-28 spline, 5 1/2" straight arm - Meritor replacement
8	—	Axle nut assembly	2	See 213 catalog, Not Shown



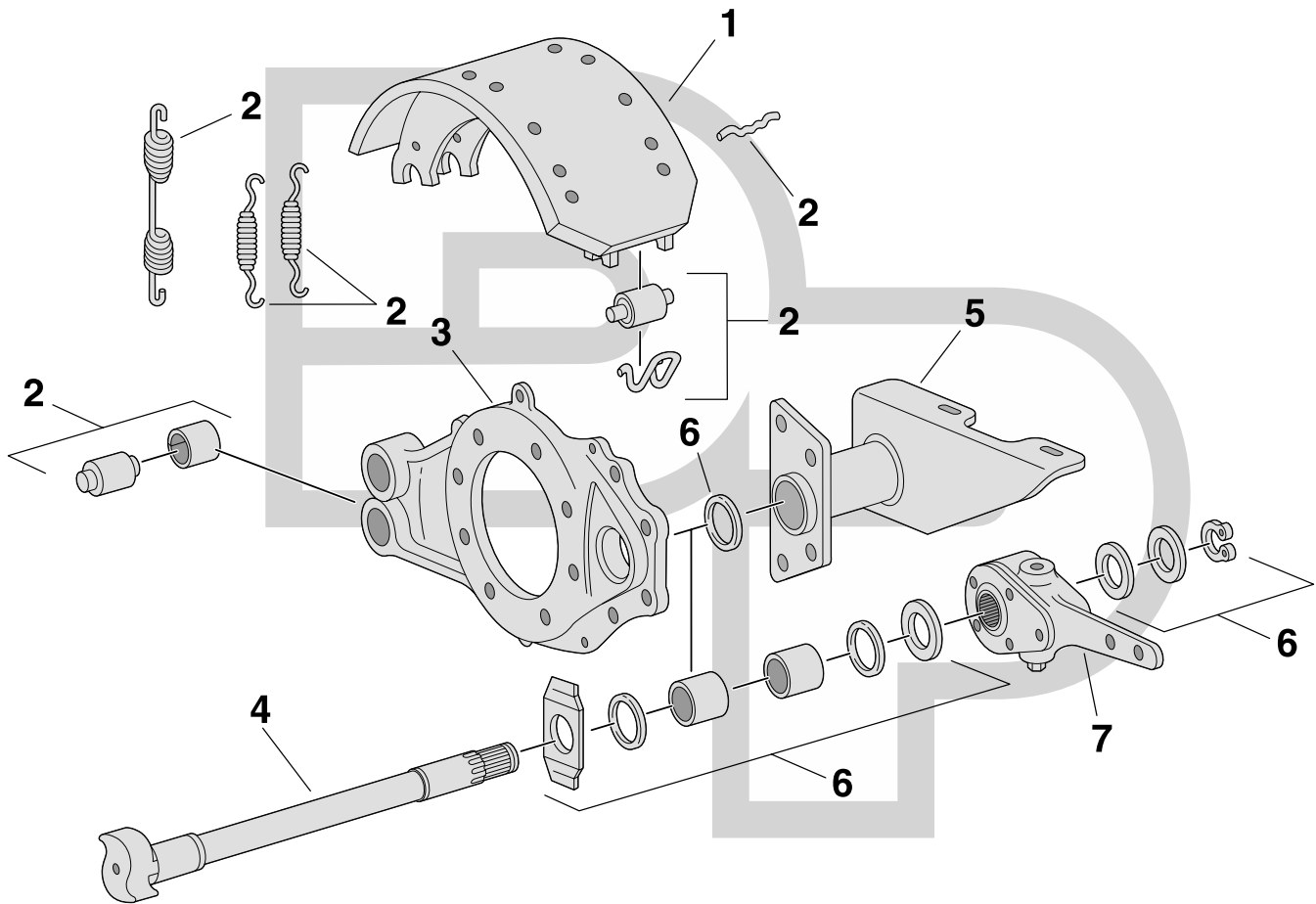


# Steer axle - Q series Mack

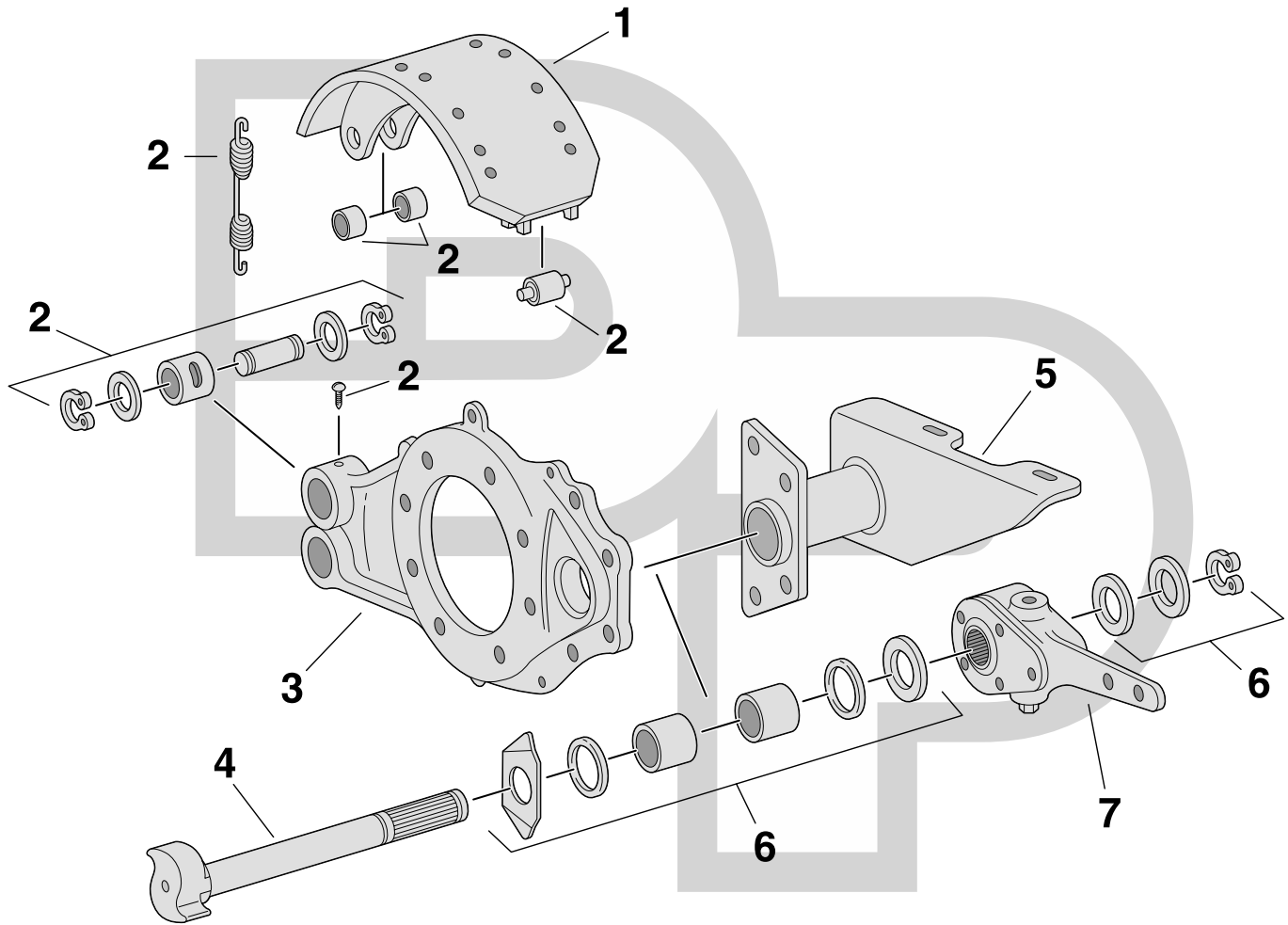
# 16 1/2" Rockwell

Schematics

Key No.	Part Number	Description	No. Req.	Comments
1	◆	5" Unlined brake shoe	4	4524B brake block - Q shoe (web# 3222-U-1347) no longer available, replace w/4720QP shoes & kits w/MG48 cams both wheel ends per axle
	20M4720QP	5" New lined shoe	4	20k medium grade, Marathon UB
	SB20M4720QPS	New lined shoebox	2	(2) 20M4720QP shoes & (1) 4524MQ30 kit
	21P4720QP	5" New lined shoe	4	21k premium grade, Marathon HS20
	SB21P4720QPS	New lined shoebox	2	(2) 21P4720QP shoes & (1) 4524MQ30 kit
	23M4720QP	5" New lined shoe	4	23k medium grade, Marathon FLOE
	SB23M4720QPS	New lined shoebox	2	(2) 23M4720QP shoes & (1) 4524MQ30 kit
	26T4720QP	5" New lined shoe	4	26k transit grade, Marathon KVT
	SB26T4720QPS	New lined shoebox	2	(2) 26T4720QP shoes & (1) 4524MQ30 kit
	21CV4720QP	5" New lined shoe	4	21k commercial vehicle grade, Dayton Parts CV21
	SB21CV4720QPS	New lined shoebox	2	(2) 21CV4720QP shoes & (1) 4524MQ30 kit
	23CV4720QP	5" New lined shoe	4	23k commercial vehicle grade, Dayton Parts CV23
	SB23CV4720QPS	New lined shoebox	2	(2) 23CV4720QP shoes & (1) 4524MQ30 kit
	23DS4720QP	5" New lined shoe	4	23k standard grade, Dayton Parts DS23
	SB23DS4720QPS	New lined shoebox	2	(2) 23DS4720QP shoes & (1) 4524MQ30 kit
	23DP4720QP	5" New lined shoe	4	23k premium grade, Dayton Parts DP23
	SB23DP4720QPS	New lined shoebox	2	(2) 23DP4720QP shoes & (1) 4524MQ30 kit
	◆	6" Unlined brake shoe	4	4514G brake block - Q shoe (web# 3222-U-1347) no longer available, replace w/4715QP shoes & kits w/MG48 cams both wheel ends per axle
	20M4715QP	6" New lined shoe	4	20k medium grade, Marathon UB
	SB20M4715QPS	New lined shoebox	2	(2) 20M4715QP shoes & (1) 4524MQ30 kit
	21P4715QP	6" New lined shoe	4	21k premium grade, Marathon HS20
	SB21P4715QPS	New lined shoebox	2	(2) 21P4715QP shoes & (1) 4524MQ30 kit
	23M4715QP	6" New lined shoe	4	23k medium grade, Marathon FLOE
	SB23M4715QPS	New lined shoebox	2	(2) 23M4715QP shoes & (1) 4524MQ30 kit
	26T4715QP	6" New lined shoe	4	26k transit grade, Marathon KVT
	SB26T4715QPS	New lined shoebox	2	(2) 26T4715QP shoes & (1) 4524MQ30 kit
	21CV4715QP	6" New lined shoe	4	21k commercial vehicle grade, Dayton Parts CV21
	SB21CV4715QPS	New lined shoebox	2	(2) 21CV4715QP shoes & (1) 4524MQ30 kit
	23CV4715QP	6" New lined shoe	4	23k commercial vehicle grade, Dayton Parts CV23
	SB23CV4715QPS	New lined shoebox	2	(2) 23CV4715QP shoes & (1) 4524MQ30 kit
	23DS4715QP	6" New lined shoe	4	23k standard grade, Dayton Parts DS23
	SB23DS4715QPS	New lined shoebox	2	(2) 23DS4715QP shoes & (1) 4524MQ30 kit
	23DP4715QP	6" New lined shoe	4	23k premium grade, Dayton Parts DP23
	SB23DP4715QPS	New lined shoebox	2	(2) 23DP4715QP shoes & (1) 4524MQ30 kit
2	08-111630	OE Equivalent brake kit	2	1 1/4" roller - 01-3751 return spring - QP shoe
	4524MQ30	Cost-Plus brake kit	2	1 1/4" roller - 01-3751 return spring - QP shoe
3	SP	Spider	2	Special order part
4	Chart	Camshaft	2	1 1/2" spider journal, 1 1/2"-28 spline - MG28 cams no longer available, replace w/MG48 cams both wheel ends per axle
5	SP	Camshaft support tube	2	Special order part
6	08-131800	Camshaft kit	1	Nylatron spider bushing
	08-131810	Camshaft kit	1	Sintered metal spider bushing
7	05-237	Manual slack	2	1 1/2"-28 spline, 5 1/2" straight arm
	05-263	Manual slack - HD	2	1 1/2"-28 spline, 5 1/2" straight arm
	05-463	Automatic slack	2	1 1/2"-28 spline, 5 1/2" straight arm - Bendix replacement
	05-563	Automatic slack	2	1 1/2"-28 spline, 5 1/2" straight arm - Crewson replacement
	05-763	Automatic slack	2	1 1/2"-28 spline, 5 1/2" straight arm - Gunite replacement
	05-363	Automatic slack	2	1 1/2"-28 spline, 5 1/2" straight arm - Meritor replacement
8	—	Axle nut assembly	2	See 213 catalog, Not Shown



Key No.	Part Number	Description	No. Req.	Comments
1	4720QP	5" Unlined brake shoe	4	4720 brake block - 4720QP shoe available lined only
	20M4720QP	5" New lined shoe	4	20k medium grade, Marathon UB
	SB20M4720QPS	New lined shoebox	2	(2) 20M4720QP shoes & (1) 4524MQ30 kit
	21P4720QP	5" New lined shoe	4	21k premium grade, Marathon HS20
	SB21P4720QPS	New lined shoebox	2	(2) 21P4720QP shoes & (1) 4524MQ30 kit
	23M4720QP	5" New lined shoe	4	23k medium grade, Marathon FLOE
	SB23M4720QPS	New lined shoebox	2	(2) 23M4720QP shoes & (1) 4524MQ30 kit
	26T4720QP	5" New lined shoe	4	26k transit grade, Marathon KVT
	SB26T4720QPS	New lined shoebox	2	(2) 26T4720QP shoes & (1) 4524MQ30 kit
	21CV4720QP	5" New lined shoe	4	21k commercial vehicle grade, Dayton Parts CV21
	SB21CV4720QPS	New lined shoebox	2	(2) 21CV4720QP shoes & (1) 4524MQ30 kit
	23CV4720QP	5" New lined shoe	4	23k commercial vehicle grade, Dayton Parts CV23
	SB23CV4720QPS	New lined shoebox	2	(2) 23CV4720QP shoes & (1) 4524MQ30 kit
	23DS4720QP	5" New lined shoe	4	23k standard grade, Dayton Parts DS23
	SB23DS4720QPS	New lined shoebox	2	(2) 23DS4720QP shoes & (1) 4524MQ30 kit
	23DP4720QP	5" New lined shoe	4	23k premium grade, Dayton Parts DP23
	SB23DP4720QPS	New lined shoebox	2	(2) 23DP4720QP shoes & (1) 4524MQ30 kit
	4715QP	6" Unlined brake shoe	4	4715 brake block - 4715QP shoe available lined only
	20M4715QP	6" New lined shoe	4	20k medium grade, Marathon UB
	SB20M4715QPS	New lined shoebox	2	(2) 20M4715QP shoes & (1) 4524MQ30 kit
	21P4715QP	6" New lined shoe	4	21k premium grade, Marathon HS20
	SB21P4715QPS	New lined shoebox	2	(2) 21P4715QP shoes & (1) 4524MQ30 kit
	23M4715QP	6" New lined shoe	4	23k medium grade, Marathon FLOE
	SB23M4715QPS	New lined shoebox	2	(2) 23M4715QP shoes & (1) 4524MQ30 kit
	26T4715QP	6" New lined shoe	4	26k transit grade, Marathon KVT
	SB26T4715QPS	New lined shoebox	2	(2) 26T4715QP shoes & (1) 4524MQ30 kit
	21CV4715QP	6" New lined shoe	4	21k commercial vehicle grade, Dayton Parts CV21
	SB21CV4715QPS	New lined shoebox	2	(2) 21CV4715QP shoes & (1) 4524MQ30 kit
	23CV4715QP	6" New lined shoe	4	23k commercial vehicle grade, Dayton Parts CV23
	SB23CV4715QPS	New lined shoebox	2	(2) 23CV4715QP shoes & (1) 4524MQ30 kit
	23DS4715QP	6" New lined shoe	4	23k standard grade, Dayton Parts DS23
	SB23DS4715QPS	New lined shoebox	2	(2) 23DS4715QP shoes & (1) 4524MQ30 kit
	23DP4715QP	6" New lined shoe	4	23k premium grade, Dayton Parts DP23
SB23DP4715QPS	New lined shoebox	2	(2) 23DP4715QP shoes & (1) 4524MQ30 kit	
2	08-111630	OE Equivalent brake kit	2	1 1/4" roller - 01-3751 return spring
	4524MQ30	Cost-Plus brake kit	2	1 1/4" roller - 01-3751 return spring
3	SP	Spider	2	Special order part
4	Chart	Camshaft	2	1 1/2" spider journal, 1 1/2"-28 spline, see cam section 16 1/2" Rockwell MG48
5	SP	Camshaft support tube	2	Special order part
6	08-131800	Camshaft kit	1	Nylatron spider bushing
	08-131810	Camshaft kit	1	Sintered metal spider bushing
7	05-237	Manual slack	2	1 1/2"-28 spline, 5 1/2" straight arm
	05-263	Manual slack - HD	2	1 1/2"-28 spline, 5 1/2" straight arm
	05-463	Automatic slack	2	1 1/2"-28 spline, 5 1/2" straight arm - Bendix replacement
	05-563	Automatic slack	2	1 1/2"-28 spline, 5 1/2" straight arm - Crewson replacement
	05-763	Automatic slack	2	1 1/2"-28 spline, 5 1/2" straight arm - Gunite replacement
	05-363	Automatic slack	2	1 1/2"-28 spline, 5 1/2" straight arm - Meritor replacement
8	—	Axle nut assembly	2	See 213 catalog, Not Shown

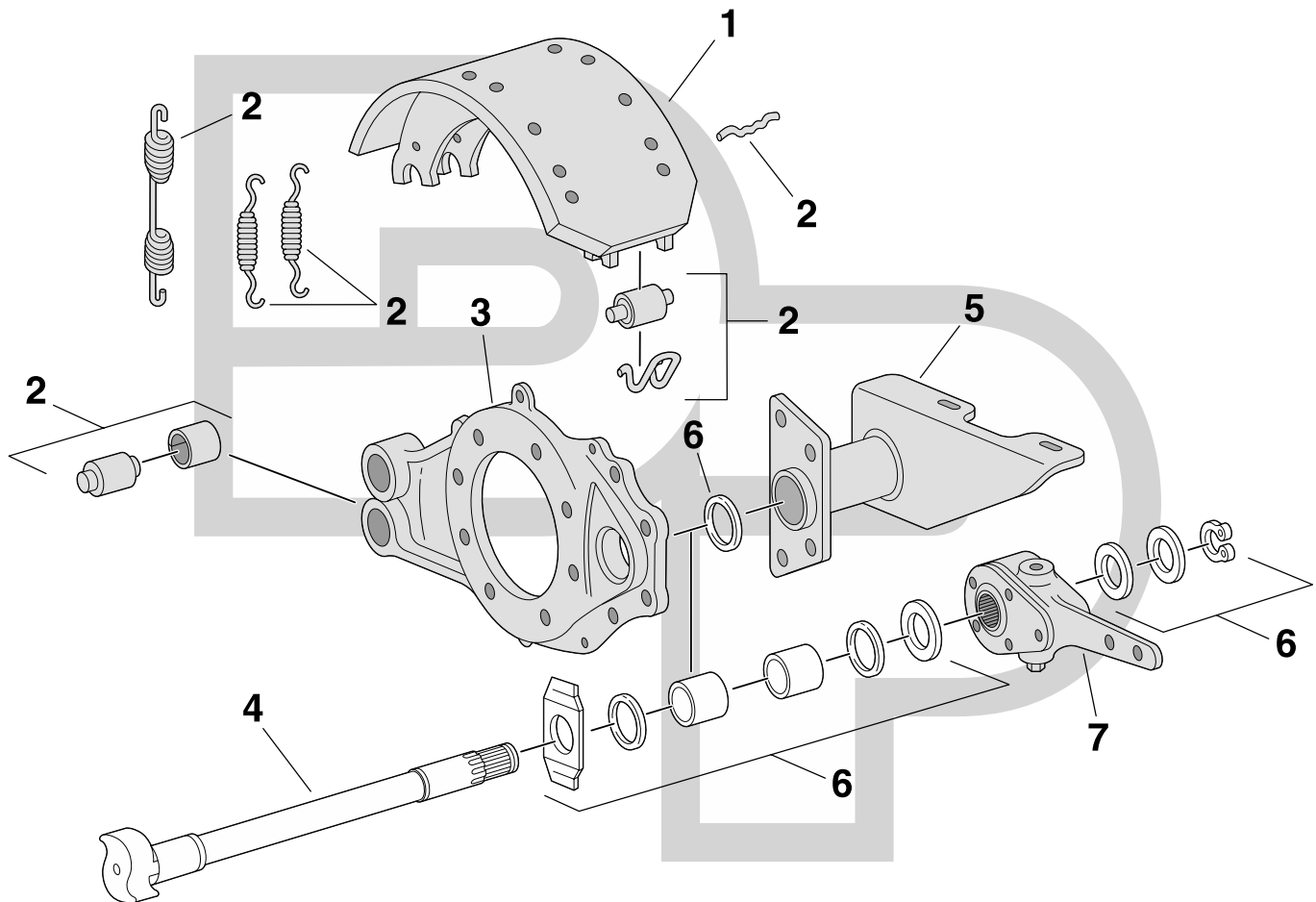


# Drive axle - Cast-Plus series

# 16 1/2" Rockwell

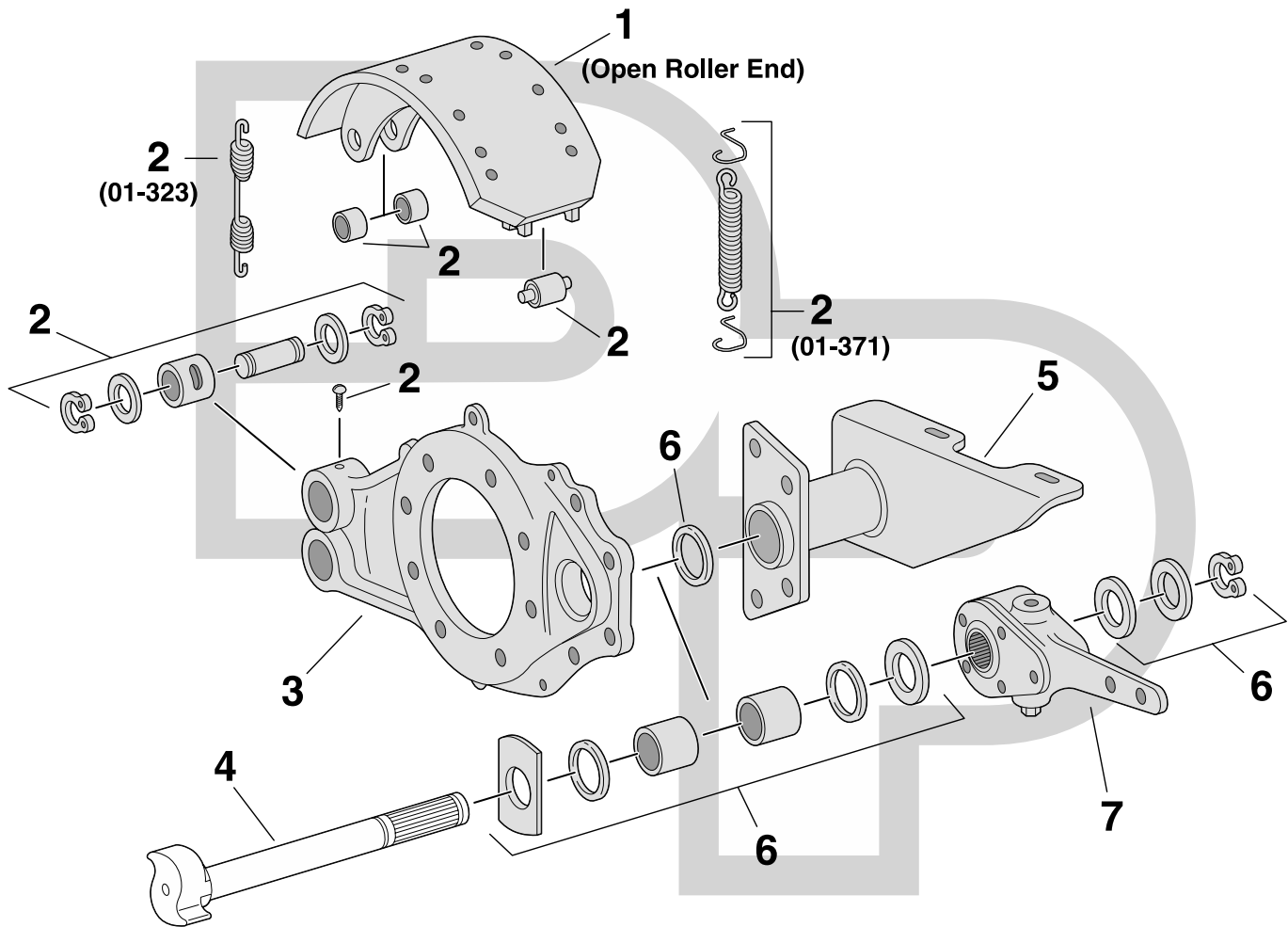
Schematics

Key No.	Part Number	Description	No. Req.	Comments
1	<b>4728CP</b>	8 5/8" Unlined brake shoe	4	4728 brake block - 4728CP shoe available lined only
	<b>26T4728CP</b>	8 5/8" New lined shoe	4	26k transit grade, Marathon KVT
	<b>4728D-KVT</b>	Marathon KVT	1	26k transit grade, Marathon KVT - standard (1) box lines (4) shoes
	<b>01-617</b>	Brake block bolt assy	128	1/4"-28 x 1" brass plated bolts w/keys lock nuts (100/box)
2	<b>08-126130</b>	OE Equivalent brake kit	2	1 1/4" roller - 01-3751 return spring
3	<b>SP</b>	Spider	2	Special order part
4	<b>Chart</b>	Camshaft	2	1 1/2" spider journal, 1 1/2"-28 spline, see cam section 16 1/2" Rockwell MG48
5	<b>SP</b>	Camshaft support tube	2	Special order part
6	<b>08-131810</b>	Camshaft kit	1	Sintered metal spider bushing
7	<b>05-237</b>	Manual slack	2	1 1/2"-28 spline, 5 1/2" straight arm
	<b>05-263</b>	Manual slack - HD	2	1 1/2"-28 spline, 5 1/2" straight arm
	<b>05-463</b>	Automatic slack	2	1 1/2"-28 spline, 5 1/2" straight arm - Bendix replacement
	<b>05-563</b>	Automatic slack	2	1 1/2"-28 spline, 5 1/2" straight arm - Crewson replacement
	<b>05-763</b>	Automatic slack	2	1 1/2"-28 spline, 5 1/2" straight arm - Gunite replacement
	<b>05-363</b>	Automatic slack	2	1 1/2"-28 spline, 5 1/2" straight arm - Meritor replacement
8	—	Axle nut assembly	2	See 213 catalog, Not Shown



Key No.	Part Number	Description	No. Req.	Comments
1	<b>4718QP</b>	8" Unlined brake shoe	4	4718 brake block - 4718QP shoe available lined only
	<b>21P4718QP</b>	8" New lined shoe	4	21k premium grade, Marathon HS20
	<b>SB21P4718QP</b>	New lined shoebox	2	(2) 21P4718QP shoes & (1) 4515Q30 kit
	<b>23M4718QP</b>	8" New lined shoe	4	23k medium grade, Marathon FLOE
	<b>SB23M4718QP</b>	New lined shoebox	2	(2) 23M4718QP shoes & (1) 4515Q30 kit
2	<b>08-108830</b>	OE Equivalent brake kit	2	1 1/4" roller - heavy duty return spring
	<b>4515Q30</b>	Cost-Plus brake kit	2	1 1/4" roller - heavy duty return spring
3	<b>SP</b>	Spider	2	Special order part
4	<b>Chart</b>	Camshaft	2	1 5/8" spider journal, 1 1/2"-28 spline, MG49 cams no longer available, replace w/MG48 cams both wheel ends per axle
5	<b>SP</b>	Camshaft support tube	2	Special order part
6	<b>08-131810</b>	Camshaft kit	1	Sintered metal spider bushing - MG48 cam
7	<b>05-237</b>	Manual slack	2	1 1/2"-28 spline, 5 1/2" straight arm
	<b>05-263</b>	Manual slack - HD	2	1 1/2"-28 spline, 5 1/2" straight arm
	<b>05-463</b>	Automatic slack	2	1 1/2"-28 spline, 5 1/2" straight arm - Bendix replacement
	<b>05-563</b>	Automatic slack	2	1 1/2"-28 spline, 5 1/2" straight arm - Crewson replacement
	<b>05-763</b>	Automatic slack	2	1 1/2"-28 spline, 5 1/2" straight arm - Gunite replacement
8	<b>05-363</b>	Automatic slack	2	1 1/2"-28 spline, 5 1/2" straight arm - Meritor replacement
	—	Axle nut assembly	2	See 213 catalog, Not Shown



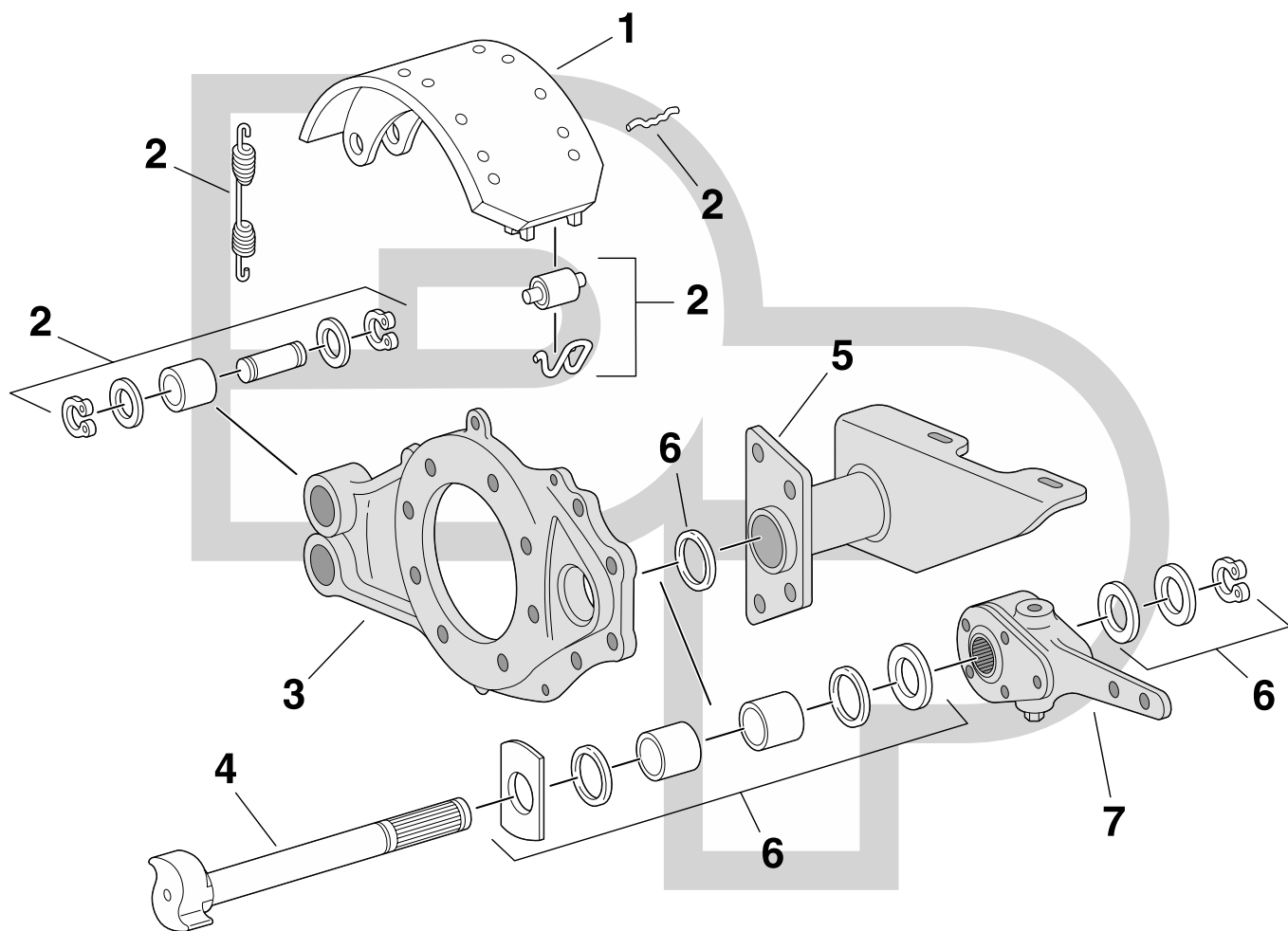


# Drive axle - P series cast shoe

# 16 1/2" Rockwell

Schematics

Key No.	Part Number	Description	No. Req.	Comments
1	<b>4515PC</b>	7" Unlined brake shoe	4	4515E brake block - 4515PC shoe available lined only
	<b>23SM4515PC</b>	7" New lined shoe	4	23k semi-met combo, Marathon MBC
	<b>SB23SM4515PC</b>	New lined shoebox	2	(2) 23SM4515PC shoes & (1) 08-109830 kit
	<b>26T4515PC</b>	7" New lined shoe	4	26k transit grade, Marathon KVT
	<b>SB26T4515PC</b>	7" New lined shoebox	2	(2) 26T4515PC shoes & (1) 08-109830 kit
	<b>4515ED-MBS</b>	Marathon MBS	1	23k semi-met combo, Marathon MBC, (1) box lines (4) shoes
	<b>4515ED-KVT</b>	Marathon KVT	1	26k transit grade, Marathon KVT - standard (1) box lines (4) shoes
	<b>01-617</b>	Brake block bolt assy	128	1/4"-28 x 1" brass plated bolts w/keps lock nuts (100/box)
2	<b>08-109800</b>	OE Equivalent brake kit	2	1 5/8" roller - 01-323 return spring
	<b>08-109830</b>	OE Equivalent brake kit	2	1 5/8" roller - 01-371 return spring
3	<b>SP</b>	Spider	2	Special order part
4	<b>Chart</b>	Camshaft	2	1 1/2" spider journal, 1 1/2"-10 spline - MG45 cams no longer available, replace w/MG48 cams & 28 spline slacks both wheel ends per axle
5	<b>SP</b>	Camshaft support tube	2	Special order part
6	<b>08-131810</b>	Camshaft kit	1	Sintered metal spider bushing - MG48 cam
7	<b>05-237</b>	Manual slack	2	1 1/2"-28 spline, 5 1/2" straight arm - MG48 cam
	<b>05-263</b>	Manual slack - HD	2	1 1/2"-28 spline, 5 1/2" straight arm - MG48 cam
	<b>05-463</b>	Automatic slack	2	1 1/2"-28 spline, 5 1/2" straight arm - Bendix replacement - MG48 cam
	<b>05-563</b>	Automatic slack	2	1 1/2"-28 spline, 5 1/2" straight arm - Crewson replacement - MG48 cam
	<b>05-763</b>	Automatic slack	2	1 1/2"-28 spline, 5 1/2" straight arm - Gunitite replacement - MG48 cam
	<b>05-363</b>	Automatic slack	2	1 1/2"-28 spline, 5 1/2" straight arm - Meritor replacement - MG48 cam
8	—	Axle nut assembly	2	See 213 catalog, Not Shown



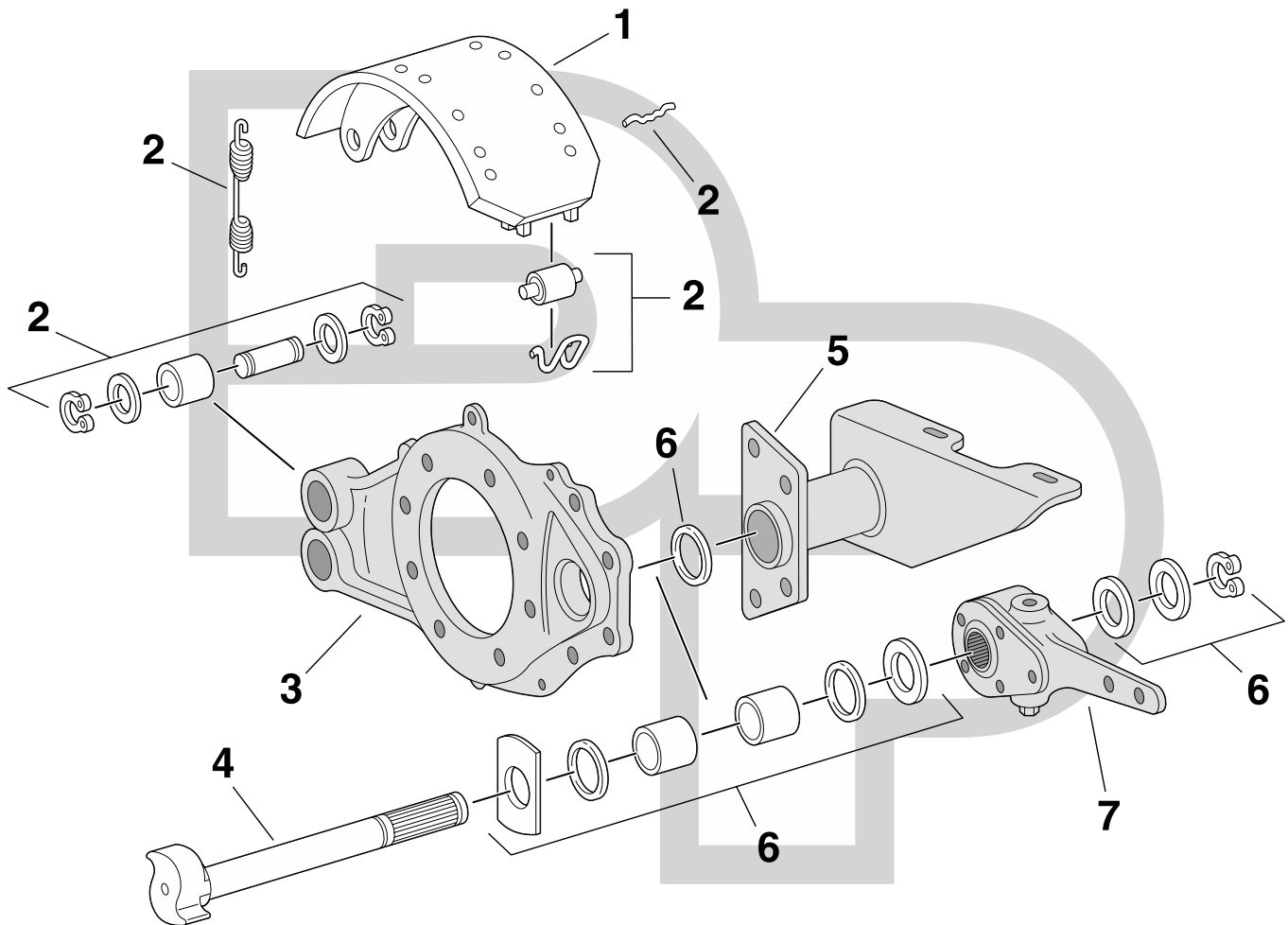
# Drive axle - P series floating anchor pin

# 16 1/2" Rockwell

Schematics

Key No.	Part Number	Description	No. Req.	Comments
1	◆	7" Unlined brake shoe	4	4515E brake block - P shoe no longer available, replace w/4707QP shoes & kits w/MG48 cams & 28 spline slacks both wheel ends per axle
	21P4707QP	7" New lined shoe	4	21k premium grade, Marathon HS20
	SB21P4707QP	New lined shoebox	2	(2) 21P4707QP shoes & (1) 4515Q30 kit
	23E4707QP	7" New lined shoe	4	23k economy grade, Marathon MV23
	SB23E4707QP	New lined shoebox	2	(2) 23E4707QP shoes & (1) 4515Q30 kit
	23F4707QP	7" New lined shoe	4	23k fleet grade, Marathon FS23
	SB23F4707QP	New lined shoebox	2	(2) 23F4707QP shoes & (1) 4515Q30 kit
	23M4707QP	7" New lined shoe	4	23k medium grade, Marathon FLOE
	SB23M4707QP	New lined shoebox	2	(2) 23M4707QP shoes & (1) 4515Q30 kit
	23P4707QP	7" New lined shoe	4	23k premium grade, Marathon HS
	SB23P4707QP	New lined shoebox	2	(2) 23P4707QP shoes & (1) 4515Q30 kit
	23S4707QP	7" New lined shoe	4	23k semi-met combo, Marathon MBC
	SB23S4707QP	New lined shoebox	2	(2) 23S4707QP shoes & (1) 4515Q30 kit
	25P4707QP	7" New lined shoe	4	25k premium grade, Marathon TS
	SB25P4707QP	New lined shoebox	2	(2) 25P4707QP shoes & (1) 4515Q30 kit
	26T4707QP	7" New lined shoe	4	26k transit grade, Marathon KVT
	SB26T4707QP	New lined shoebox	2	(2) 26T4707QP shoes & (1) 4515Q30
	21CV4707QP	7" New lined shoe	4	21k commercial vehicle grade, Dayton Parts CV21
	SB21CV4707QP	New lined shoebox	2	(2) 21CV4707QP shoes & (1) 4515Q30 kit
	23CV4707QP	7" New lined shoe	4	23k commercial vehicle grade, Dayton Parts CV23
	SB23CV4707QP	New lined shoebox	2	(2) 23CV4707QP shoes & (1) 4515Q30 kit
	23DS4707QP	7" New lined shoe	4	23k standard grade, Dayton Parts DS23
	SB23DS4707QP	New lined shoebox	2	(2) 23DS4707QP shoes & (1) 4515Q30 kit
	23DP4707QP	7" New lined shoe	4	23k premium grade, Dayton Parts DP23
	SB23DP4707QP	New lined shoebox	2	(2) 23DP4707QP shoes & (1) 4515Q30 kit
	◆	8 5/8" Unlined brake shoe	4	4551E brake block - P shoe no longer available, repalce w/4711QP shoes & kits w/MG48 cam & 28 spline slacks both wheel ends per axle
	21P4711QP	8 5/8" New lined shoe	4	21k premium grade, Marathon HS20
	SB21P4711QP	New lined shoebox	2	(2) 21P4711QP shoes & (1) 4515Q30 kit
	23M4711QP	8 5/8" New lined shoe	4	23k medium grade, Marathon FLOE
	SB23M4711QP	New lined shoebox	2	(2) 23M4711QP shoes & (1) 4515Q30 kit
	23P4711QP	8 5/8" New lined shoe	4	23k premium grade, Marathon HS
	SB23P4711QP	New lined shoebox	2	(2) 23P4711QP shoes & (1) 4515Q30 kit
	21CV4711QP	8 5/8" New lined shoe	4	21k commercial vehicle grade, Dayton Parts CV21
	SB21CV4711QP	New lined shoebox	2	(2) 21CV4711QP shoes & (1) 4515Q30 kit
	23CV4711QP	8 5/8" New lined shoe	4	23k commercial vehicle grade, Dayton Parts CV23
	SB23CV4711QP	New lined shoebox	2	(2) 23CV4711QP shoes & (1) 4515Q30 kit
	23DS4711QP	8 5/8" New lined shoe	4	23k standard grade, Dayton Parts DS23
	SB23DS4711QP	New lined shoebox	2	(2) 23DS4711QP shoes & (1) 4515Q30 kit
	23DP4711QP	8 5/8" New lined shoe	4	23k premium grade, Dayton Parts DP23
	SB23DP4711QP	New lined shoebox	2	(2) 23DP4711QP shoes & (1) 4515Q30 kit

\*Continued on page 115

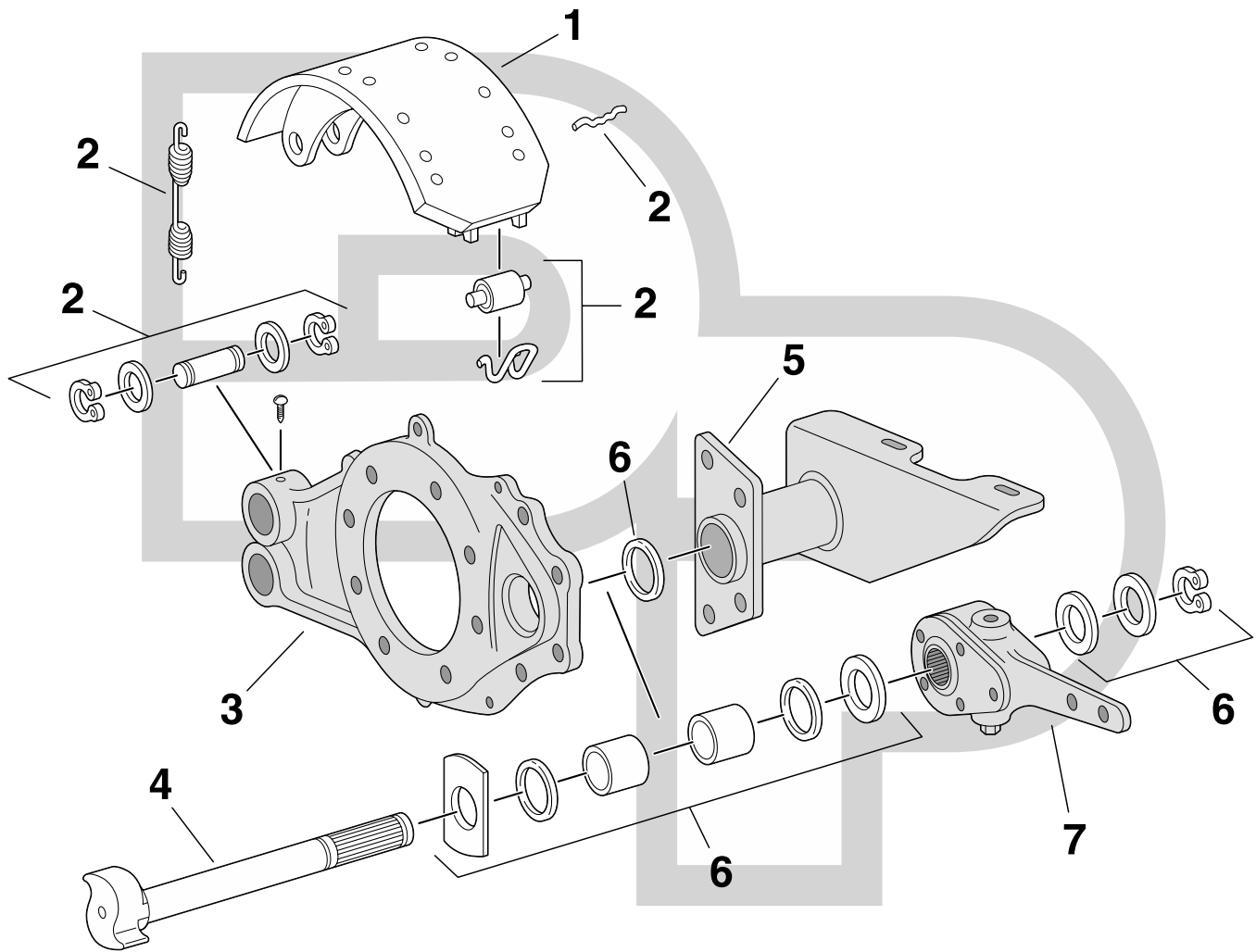


# Drive axle - P series floating anchor pin - continued

# 16 1/2" Rockwell

Schematics

Key No.	Part Number	Description	No. Req.	Comments
2	<b>08-108830</b>	OE Equivalent brake kit	2	1 1/4" roller - heavy duty return spring - QP shoe
	<b>4515Q30</b>	Cost-Plus brake kit	2	1 1/4" roller - heavy duty return spring - QP shoe
3	<b>SP</b>	Spider	2	Special order part
4	<b>Chart</b>	Camshaft	2	1 1/2" spider journal, 1 1/2"-10 spline - MG45 cams no longer available, replace w/MG48 cams & 28 spline slacks both wheel ends per axle
5	<b>SP</b>	Camshaft support tube	2	Special order part
6	<b>08-131800</b>	Camshaft kit	1	Nylatron spider bushing - MG48 cam
	<b>08-131810</b>	Camshaft kit	1	Sintered metal spider bushing - MG48 cam
7	<b>05-237</b>	Manual slack	2	1 1/2"-28 spline, 5 1/2" straight arm - MG48 cam
	<b>05-263</b>	Manual slack - HD	2	1 1/2"-28 spline, 5 1/2" straight arm - MG48 cam
	<b>05-463</b>	Automatic slack	2	1 1/2"-28 spline, 5 1/2" straight arm - Bendix replacement - MG48 cam
	<b>05-563</b>	Automatic slack	2	1 1/2"-28 spline, 5 1/2" straight arm - Crewson replacement - MG48 cam
	<b>05-763</b>	Automatic slack	2	1 1/2"-28 spline, 5 1/2" straight arm - Gunitite replacement - MG48 cam
	<b>05-363</b>	Automatic slack	2	1 1/2"-28 spline, 5 1/2" straight arm - Meritor replacement - MG48 cam
8	—	Axle nut assembly	2	See 213 catalog, Not Shown



# Drive axle - P series locked anchor pin

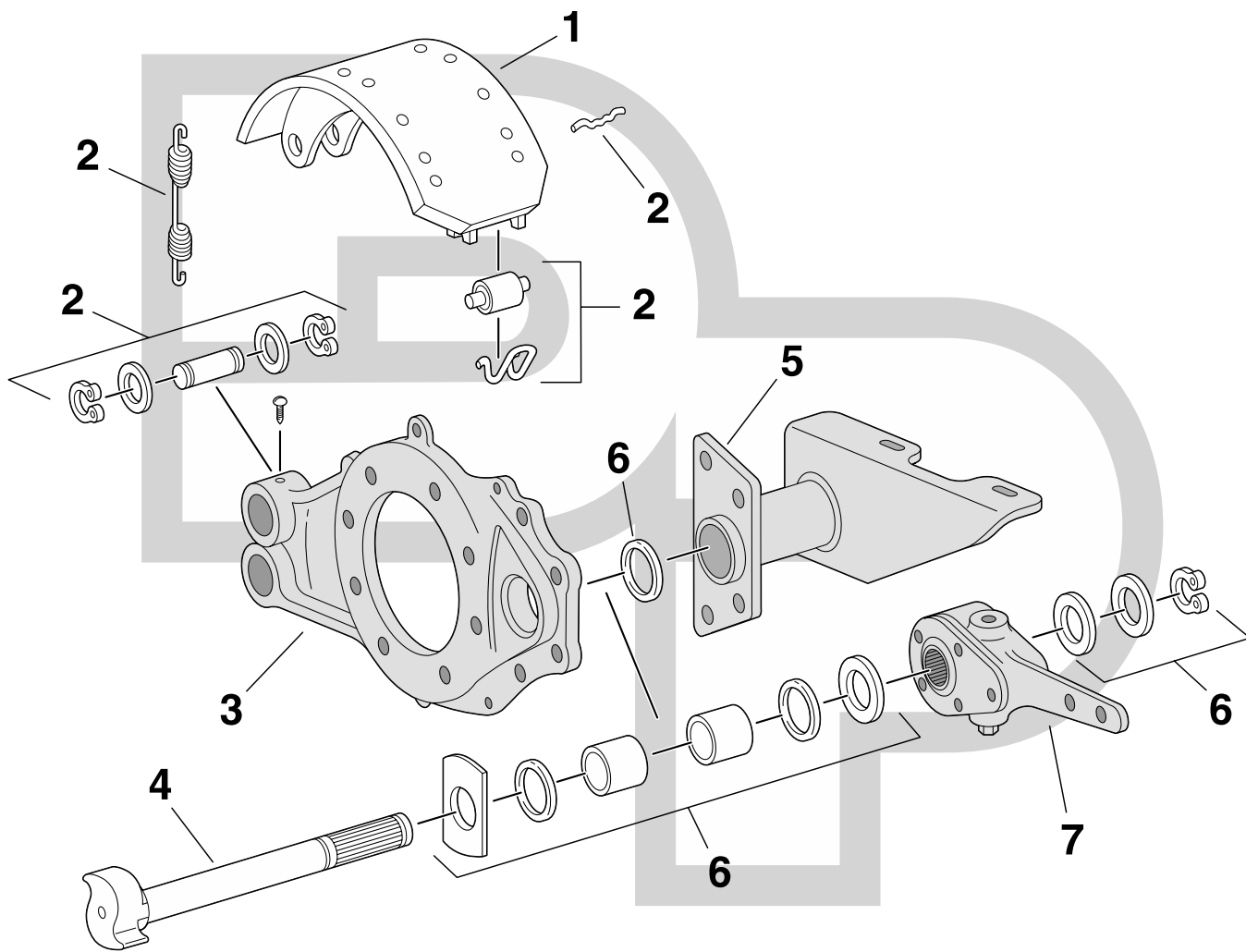
# 16 1/2" Rockwell

Schematics

Key No.	Part Number	Description	No. Req.	Comments
1	◆	7" Unlined brake shoe	4	4515E brake block - P shoe no longer available, replace w/4707QP shoes & kits w/MG48 cams & 28 spline slacks both wheel ends per axle
	21P4707QP	7" New lined shoe	4	21k premium grade, Marathon HS20
	SB21P4707QP	New lined shoebox	2	(2) 21P4707QP shoes & (1) 4515Q30 kit
	23E4707QP	7" New lined shoe	4	23k economy grade, Marathon MV23
	SB23E4707QP	New lined shoebox	2	(2) 23E4707QP shoes & (1) 4515Q30 kit
	23F4707QP	7" New lined shoe	4	23k fleet grade, Marathon FS23
	SB23F4707QP	New lined shoebox	2	(2) 23F4707QP shoes & (1) 4515Q30 kit
	23M4707QP	7" New lined shoe	4	23k medium grade, Marathon FLOE
	SB23M4707QP	New lined shoebox	2	(2) 23M4707QP shoes & (1) 4515Q30 kit
	23P4707QP	7" New lined shoe	4	23k premium grade, Marathon HS
	SB23P4707QP	New lined shoebox	2	(2) 23P4707QP shoes & (1) 4515Q30 kit
	23S4707QP	7" New lined shoe	4	23k semi-met combo, Marathon MBC
	SB23S4707QP	New lined shoebox	2	(2) 23S4707QP shoes & (1) 4515Q30 kit
	25P4707QP	7" New lined shoe	4	25k premium grade, Marathon TS
	SB25P4707QP	New lined shoebox	2	(2) 25P4707QP shoes & (1) 4515Q30 kit
	26T4707QP	7" New lined shoe	4	26k transit grade, Marathon KVT
	SB26T4707QP	New lined shoebox	2	(2) 26T4707QP shoes & (1) 4515Q30
	21CV4707QP	7" New lined shoe	4	21k commercial vehicle grade, Dayton Parts CV21
	SB21CV4707QP	New lined shoebox	2	(2) 21CV4707QP shoes & (1) 4515Q30 kit
	23CV4707QP	7" New lined shoe	4	23k commercial vehicle grade, Dayton Parts CV23
	SB23CV4707QP	New lined shoebox	2	(2) 23CV4707QP shoes & (1) 4515Q30 kit
	23DS4707QP	7" New lined shoe	4	23k standard grade, Dayton Parts DS23
	SB23DS4707QP	New lined shoebox	2	(2) 23DS4707QP shoes & (1) 4515Q30 kit
	23DP4707QP	7" New lined shoe	4	23k premium grade, Dayton Parts DP23
	SB23DP4707QP	New lined shoebox	2	(2) 23DP4707QP shoes & (1) 4515Q30 kit
	◆	8 5/8" Unlined brake shoe	4	4551E brake block - P shoe no longer available, replace w/4711QP shoes & kits w/MG48 cam & 28 spline slacks both wheel ends per axle
	21P4711QP	8 5/8" New lined shoe	4	21k premium grade, Marathon HS20
	SB21P4711QP	New lined shoebox	2	(2) 21P4711QP shoes & (1) 4515Q30 kit
	23M4711QP	8 5/8" New lined shoe	4	23k medium grade, Marathon FLOE
	SB23M4711QP	New lined shoebox	2	(2) 23M4711QP shoes & (1) 4515Q30 kit
	23P4711QP	8 5/8" New lined shoe	4	23k premium grade, Marathon HS
	SB23P4711QP	New lined shoebox	2	(2) 23P4711QP shoes & (1) 4515Q30 kit
	21CV4711QP	8 5/8" New lined shoe	4	21k commercial vehicle grade, Dayton Parts CV21
	SB21CV4711QP	New lined shoebox	2	(2) 21CV4711QP shoes & (1) 4515Q30 kit
	23CV4711QP	8 5/8" New lined shoe	4	23k commercial vehicle grade, Dayton Parts CV23
	SB23CV4711QP	New lined shoebox	2	(2) 23CV4711QP shoes & (1) 4515Q30 kit
	23DS4711QP	8 5/8" New lined shoe	4	23k standard grade, Dayton Parts DS23
	SB23DS4711QP	New lined shoebox	2	(2) 23DS4711QP shoes & (1) 4515Q30 kit
	23DP4711QP	8 5/8" New lined shoe	4	23k premium grade, Dayton Parts DP23
	SB23DP4711QP	New lined shoebox	2	(2) 23DP4711QP shoes & (1) 4515Q30 kit

\*Continued on page 119



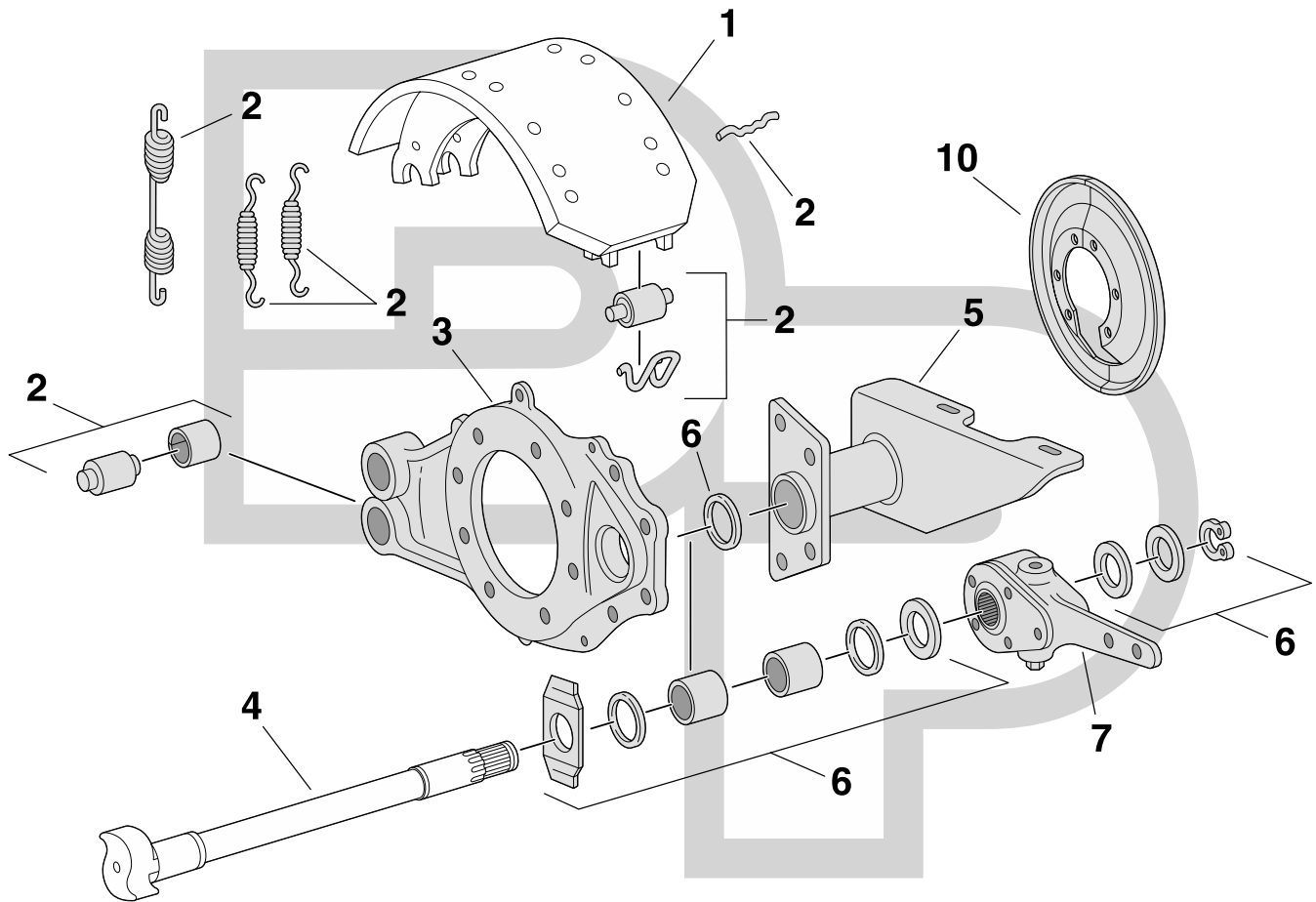


# Drive axle - P series locked anchor pin - continued

# 16 1/2" Rockwell

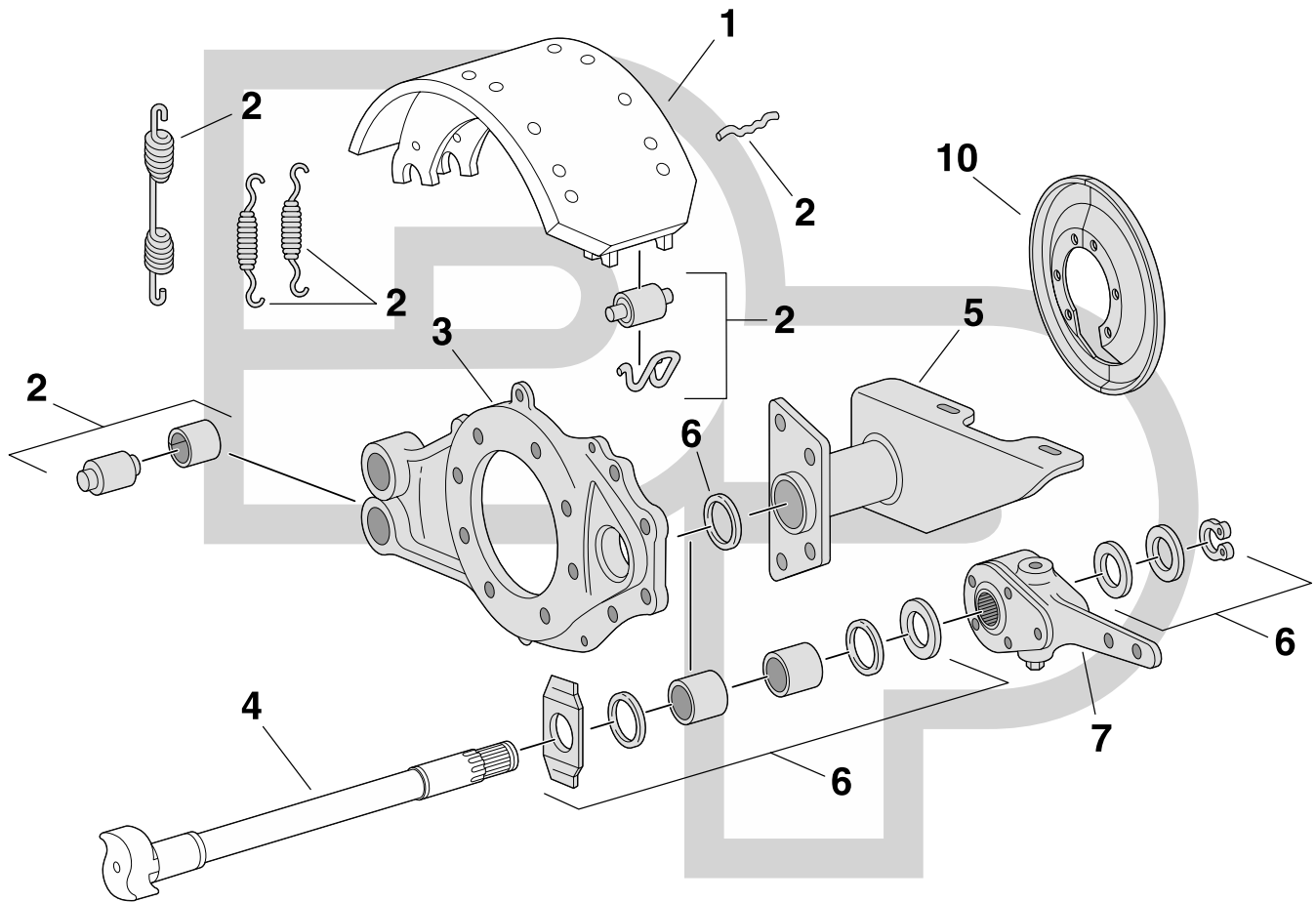
Schematics

Key No.	Part Number	Description	No. Req.	Comments
2	<b>08-108830</b>	OE Equivalent brake kit	2	1 1/4" roller - heavy duty return spring - QP shoe
	<b>4515Q30</b>	Cost-Plus brake kit	2	1 1/4" roller - heavy duty return spring - QP shoe
3	<b>SP</b>	Spider	2	Special order part
4	<b>Chart</b>	Camshaft	2	1 1/2" spider journal, 1 1/2"-10 spline - MG45 cams no longer available, replace w/MG48 cams & 28 spline slacks both wheel ends per axle
5	<b>SP</b>	Camshaft support tube	2	Special order part
6	<b>08-131800</b>	Camshaft kit	1	Nylatron spider bushing - MG48 cam
	<b>08-131810</b>	Camshaft kit	1	Sintered metal spider bushing - MG48 cam
7	<b>05-237</b>	Manual slack	2	1 1/2"-28 spline, 5 1/2" straight arm - MG48 cam
	<b>05-263</b>	Manual slack - HD	2	1 1/2"-28 spline, 5 1/2" straight arm - MG48 cam
	<b>05-463</b>	Automatic slack	2	1 1/2"-28 spline, 5 1/2" straight arm - Bendix replacement - MG48 cam
	<b>05-563</b>	Automatic slack	2	1 1/2"-28 spline, 5 1/2" straight arm - Crewson replacement - MG48 cam
	<b>05-763</b>	Automatic slack	2	1 1/2"-28 spline, 5 1/2" straight arm - Gunitite replacement - MG48 cam
	<b>05-363</b>	Automatic slack	2	1 1/2"-28 spline, 5 1/2" straight arm - Meritor replacement - MG48 cam
8	—	Axle nut assembly	2	See 213 catalog, Not Shown



Key No.	Part Number	Description	No. Req.	Comments
1	◆	7" Unlined brake shoe	4	4515E brake block - Q shoe no longer available, replace w/4707QP shoes & kits w/MG48 cams both wheel ends per axle
	21P4707QP	7" New lined shoe	4	21k premium grade, Marathon HS20
	SB21P4707QP	New lined shoebox	2	(2) 21P4707QP shoes & (1) 4515Q30 kit
	23E4707QP	7" New lined shoe	4	23k economy grade, Marathon MV23
	SB23E4707QP	New lined shoebox	2	(2) 23E4707QP shoes & (1) 4515Q30 kit
	23F4707QP	7" New lined shoe	4	23k fleet grade, Marathon FS23
	SB23F4707QP	New lined shoebox	2	(2) 23F4707QP shoes & (1) 4515Q30 kit
	23M4707QP	7" New lined shoe	4	23k medium grade, Marathon FLOE
	SB23M4707QP	New lined shoebox	2	(2) 23M4707QP shoes & (1) 4515Q30 kit
	23P4707QP	7" New lined shoe	4	23k premium grade, Marathon HS
	SB23P4707QP	New lined shoebox	2	(2) 23P4707QP shoes & (1) 4515Q30 kit
	23S4707QP	7" New lined shoe	4	23k semi-met combo, Marathon MBC
	SB23S4707QP	New lined shoebox	2	(2) 23S4707QP shoes & (1) 4515Q30 kit
	25P4707QP	7" New lined shoe	4	25k premium grade, Marathon TS
	SB25P4707QP	New lined shoebox	2	(2) 25P4707QP shoes & (1) 4515Q30 kit
	26T4707QP	7" New lined shoe	4	26k transit grade, Marathon KVT
	SB26T4707QP	New lined shoebox	2	(2) 26T4707QP shoes & (1) 4515Q30
	21CV4707QP	7" New lined shoe	4	21k commercial vehicle grade, Dayton Parts CV21
	SB21CV4707QP	New lined shoebox	2	(2) 21CV4707QP shoes & (1) 4515Q30 kit
	23CV4707QP	7" New lined shoe	4	23k commercial vehicle grade, Dayton Parts CV23
	SB23CV4707QP	New lined shoebox	2	(2) 23CV4707QP shoes & (1) 4515Q30 kit
	23DS4707QP	7" New lined shoe	4	23k standard grade, Dayton Parts DS23
	SB23DS4707QP	New lined shoebox	2	(2) 23DS4707QP shoes & (1) 4515Q30 kit
	23DP4707QP	7" New lined shoe	4	23k premium grade, Dayton Parts DP23
	SB23DP4707QP	New lined shoebox	2	(2) 23DP4707QP shoes & (1) 4515Q30 kit
	◆	8" Unlined brake shoe	4	4644B brake block - Q shoe no longer available, replace w/4718QP shoes & kits w/MG48 cams both wheel ends per axle
	21P4718QP	8" New lined shoe	4	21k premium grade, Marathon HS20
	SB21P4718QP	New lined shoebox	2	(2) 21P4718QP shoes & (1) 4515Q30 kit
	23M4718QP	8" New lined shoe	4	23k medium grade, Marathon FLOE
	SB23M4718QP	New lined shoebox	2	(2) 23M4718QP shoes & (1) 4515Q30 kit
	◆	8 5/8" Unlined brake shoe	4	4551B brake block - Q shoe no longer available, replace w/4711QP shoes & kits w/MG48 cams both wheel ends per axle
	21P4711QP	8 5/8" New lined shoe	4	21k premium grade, Marathon HS20
	SB21P4711QP	New lined shoebox	2	(2) 21P4711QP shoes & (1) 4515Q30 kit
	23M4711QP	8 5/8" New lined shoe	4	23k medium grade, Marathon FLOE
	SB23M4711QP	New lined shoebox	2	(2) 23M4711QP shoes & (1) 4515Q30 kit
	23P4711QP	8 5/8" New lined shoe	4	23k premium grade, Marathon HS
	SB23P4711QP	New lined shoebox	2	(2) 23P4711QP shoes & (1) 4515Q30 kit
	21CV4711QP	8 5/8" New lined shoe	4	21k commercial vehicle grade, Dayton Parts CV21
	SB21CV4711QP	New lined shoebox	2	(2) 21CV4711QP shoes & (1) 4515Q30 kit
	23CV4711QP	8 5/8" New lined shoe	4	23k commercial vehicle grade, Dayton Parts CV23
	SB23CV4711QP	New lined shoebox	2	(2) 23CV4711QP shoes & (1) 4515Q30 kit
	23DS4711QP	8 5/8" New lined shoe	4	23k standard grade, Dayton Parts DS23
	SB23DS4711QP	New lined shoebox	2	(2) 23DS4711QP shoes & (1) 4515Q30 kit
	23DP4711QP	8 5/8" New lined shoe	4	23k premium grade, Dayton Parts DP23
	SB23DP4711QP	New lined shoebox	2	(2) 23DP4711QP shoes & (1) 4515Q30 kit

\*Continued on page 123

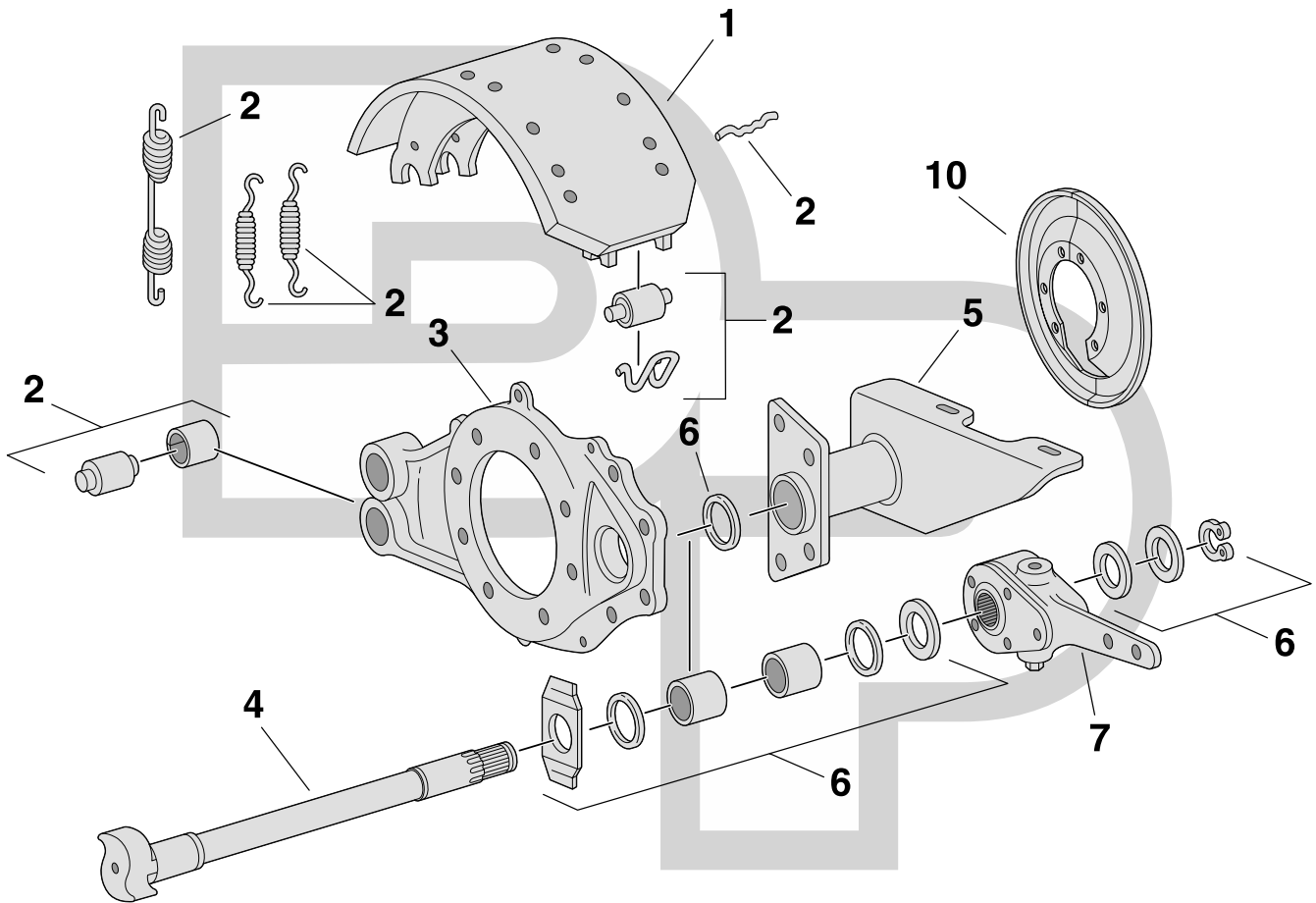


# Drive axle - Q series continued

# 16 1/2" Rockwell

Schematics

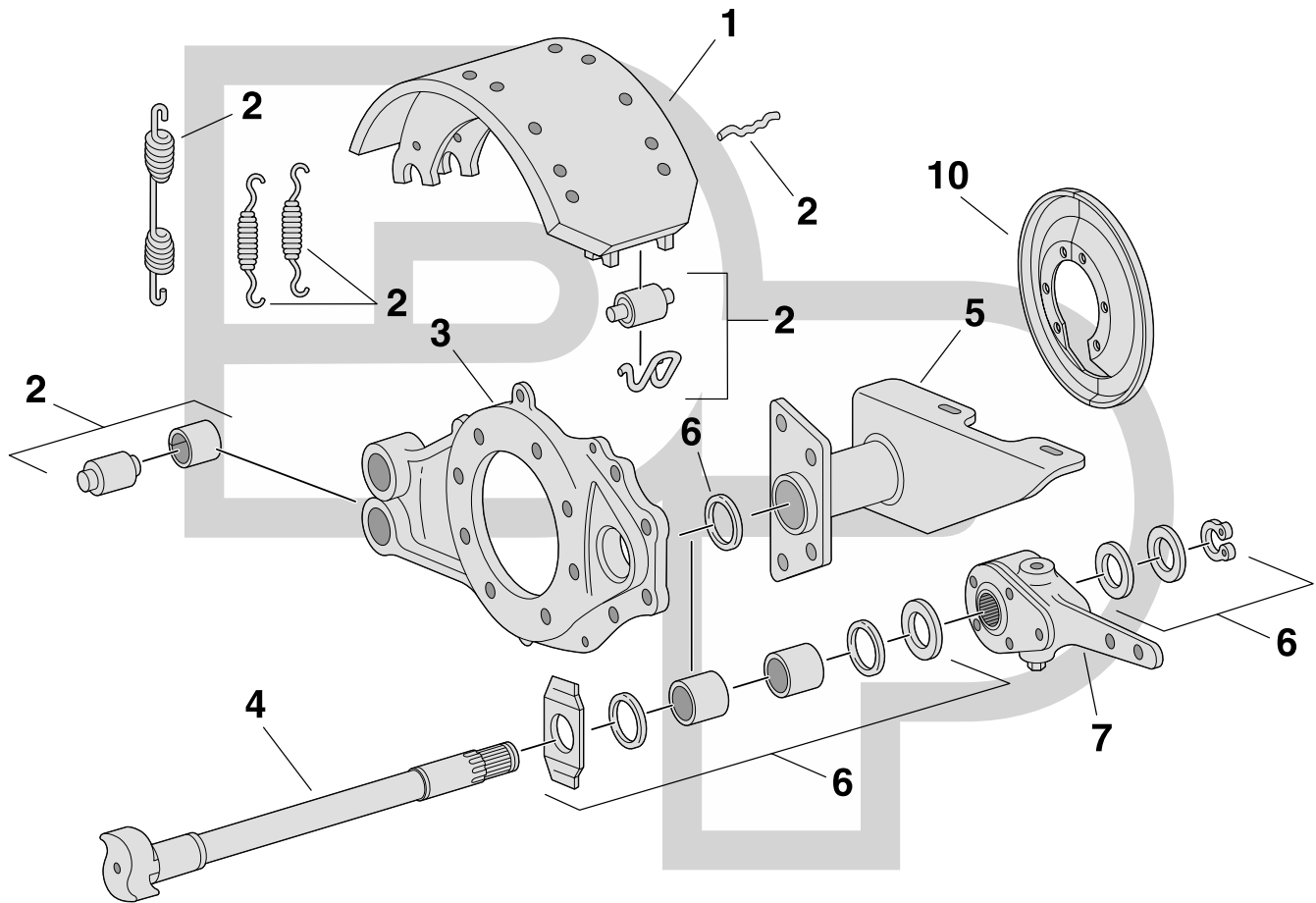
Key No.	Part Number	Description	No. Req.	Comments
2	<b>08-108830</b>	OE Equivalent brake kit	2	1 1/4" roller - heavy duty return spring
	<b>4515Q30</b>	Cost-Plus brake kit	2	1 1/4" roller - heavy duty return spring
3	<b>SP</b>	Spider	2	Special order part
4	<b>Chart</b>	Camshaft	2	1 1/2" spider journal, 1 1/2"-28 spline - MG46 cams no longer available, replace w/MG48 cams both wheel ends per axle
5	<b>SP</b>	Camshaft support tube	2	Special order part
6	<b>08-131800</b>	Camshaft kit	1	Nylatron spider bushing
	<b>08-131810</b>	Camshaft kit	1	Sintered metal spider bushing
7	<b>05-237</b>	Manual slack	2	1 1/2"-28 spline, 5 1/2" straight arm
	<b>05-263</b>	Manual slack - HD	2	1 1/2"-28 spline, 5 1/2" straight arm
	<b>05-463</b>	Automatic slack	2	1 1/2"-28 spline, 5 1/2" straight arm - Bendix replacement
	<b>05-563</b>	Automatic slack	2	1 1/2"-28 spline, 5 1/2" straight arm - Crewson replacement
	<b>05-763</b>	Automatic slack	2	1 1/2"-28 spline, 5 1/2" straight arm - Gunite replacement
	<b>05-363</b>	Automatic slack	2	1 1/2"-28 spline, 5 1/2" straight arm - Meritor replacement
8	—	Axle nut assembly	2	See 213 catalog, Not Shown
10	<b>02-517</b>	Dust shield	2	Bolts to the spider



Key No.	Part Number	Description	No. Req.	Comments
1	4715QP	6" Unlined brake shoe	4	4715 brake block - 4715QP shoe available lined only
	21P4715QP	6" New lined shoe	4	21k premium grade, Marathon HS20
	SB21P4715QP	New lined shoebox	2	(2) 21P4715QP shoes & (1) 4515Q30 kit
	23M4715QP	6" New lined shoe	4	23k medium grade, Marathon FLOE
	SB23M4715QP	New lined shoebox	2	(2) 23M4715QP shoes & (1) 4515Q30 kit
	26T4715QP	6" New lined shoe	4	26k transit grade, Marathon KVT
	SB26T4715QP	New lined shoebox	2	(2) 26T4715QP shoes & (1) 4515Q30 kit
	21CV4715QP	6" New lined shoe	4	21k commercial vehicle grade, Dayton Parts CV21
	SB21CV4715QP	New lined shoebox	2	(2) 21CV4715QP shoes & (1) 4515Q30 kit
	23CV4715QP	6" New lined shoe	4	23k commercial vehicle grade, Dayton Parts CV23
	SB23CV4715QP	New lined shoebox	2	(2) 23CV4715QP shoes & (1) 4515Q30 kit
	23DS4715QP	6" New lined shoe	4	23k standard grade, Dayton Parts DS23
	SB23DS4715QP	New lined shoebox	2	(2) 23DS4715QP shoes & (1) 4515Q30 kit
	23DP4715QP	6" New lined shoe	4	23k premium grade, Dayton Parts DP23
	SB23DP4715QP	New lined shoebox	2	(2) 23DP4715QP shoes & (1) 4515Q30 kit
	4707QP	7" Unlined brake shoe	4	4707 brake block - 4707QP shoe available lined only
	21P4707QP	7" New lined shoe	4	21k premium grade, Marathon HS20
	SB21P4707QP	New lined shoebox	2	(2) 21P4707QP shoes & (1) 4515Q30 kit
	23E4707QP	7" New lined shoe	4	23k economy grade, Marathon MV23
	SB23E4707QP	New lined shoebox	2	(2) 23E4707QP shoes & (1) 4515Q30 kit
	23F4707QP	7" New lined shoe	4	23k fleet grade, Marathon FS23
	SB23F4707QP	New lined shoebox	2	(2) 23F4707QP shoes & (1) 4515Q30 kit
	23M4707QP	7" New lined shoe	4	23k medium grade, Marathon FLOE
	SB23M4707QP	New lined shoebox	2	(2) 23M4707QP shoes & (1) 4515Q30 kit
	23P4707QP	7" New lined shoe	4	23k premium grade, Marathon HS
	SB23P4707QP	New lined shoebox	2	(2) 23P4707QP shoes & (1) 4515Q30 kit
	23S4707QP	7" New lined shoe	4	23k semi-met combo, Marathon MBC
	SB23S4707QP	New lined shoebox	2	(2) 23S4707QP shoes & (1) 4515Q30 kit
	25P4707QP	7" New lined shoe	4	25k premium grade, Marathon TS
	SB25P4707QP	New lined shoebox	2	(2) 25P4707QP shoes & (1) 4515Q30 kit
	26T4707QP	7" New lined shoe	4	26k transit grade, Marathon KVT
	SB26T4707QP	New lined shoebox	2	(2) 26T4707QP shoes & (1) 4515Q30
	21CV4707QP	7" New lined shoe	4	21k commercial vehicle grade, Dayton Parts CV21
	SB21CV4707QP	New lined shoebox	2	(2) 21CV4707QP shoes & (1) 4515Q30 kit
	23CV4707QP	7" New lined shoe	4	23k commercial vehicle grade, Dayton Parts CV23
	SB23CV4707QP	New lined shoebox	2	(2) 23CV4707QP shoes & (1) 4515Q30 kit
	23DS4707QP	7" New lined shoe	4	23k standard grade, Dayton Parts DS23
	SB23DS4707QP	New lined shoebox	2	(2) 23DS4707QP shoes & (1) 4515Q30 kit
	23DP4707QP	7" New lined shoe	4	23k premium grade, Dayton Parts DP23
	SB23DP4707QP	New lined shoebox	2	(2) 23DP4707QP shoes & (1) 4515Q30 kit
	4718QP	8" Unlined brake shoe	4	4718 brake block - 4718QP shoe available lined only
	21P4718QP	8" New lined shoe	4	21k premium grade, Marathon HS20
	SB21P4718QP	New lined shoebox	2	(2) 21P4718QP shoes & (1) 4515Q30 kit
	23M4718QP	8" New lined shoe	4	23k medium grade, Marathon FLOE
	SB23M4718QP	New lined shoebox	2	(2) 23M4718QP shoes & (1) 4515Q30 kit
	4711QP	8 5/8" Unlined brake shoe	4	4711 brake block - 4711QP shoe available lined only
	21P4711QP	8 5/8" New lined shoe	4	21k premium grade, Marathon HS20
	SB21P4711QP	New lined shoebox	2	(2) 21P4711QP shoes & (1) 4515Q30 kit

\*Continued on page 127



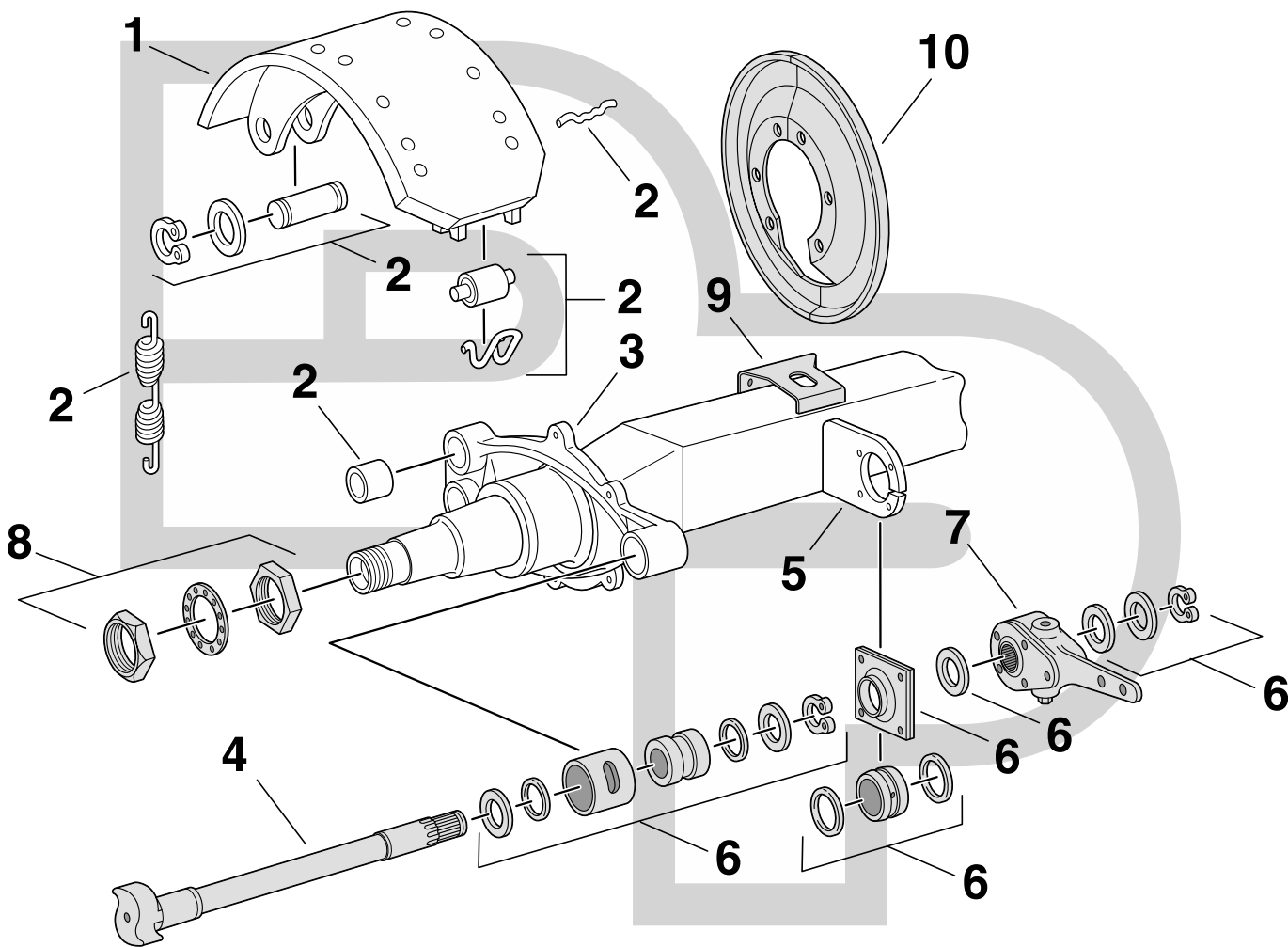


# Drive axle - Q-Plus series continued

# 16 1/2" Rockwell

Schematics

Key No.	Part Number	Description	No. Req.	Comments
1	<b>23M4711QP</b>	8 5/8" New lined shoe	4	23k medium grade, Marathon FLOE
	<b>SB23M4711QP</b>	New lined shoebox	2	(2) 23M4711QP shoes & (1) 4515Q30 kit
	<b>23P4711QP</b>	8 5/8" New lined shoe	4	23k premium grade, Marathon HS
	<b>SB23P4711QP</b>	New lined shoebox	2	(2) 23P4711QP shoes & (1) 4515Q30 kit
	<b>21CV4711QP</b>	8 5/8" New lined shoe	4	21k commercial vehicle grade, Dayton Parts CV21
	<b>SB21CV4711QP</b>	New lined shoebox	2	(2) 21CV4711QP shoes & (1) 4515Q30 kit
	<b>23CV4711QP</b>	8 5/8" New lined shoe	4	23k commercial vehicle grade, Dayton Parts CV23
	<b>SB23CV4711QP</b>	New lined shoebox	2	(2) 23CV4711QP shoes & (1) 4515Q30 kit
	<b>23DS4711QP</b>	8 5/8" New lined shoe	4	23k standard grade, Dayton Parts DS23
	<b>SB23DS4711QP</b>	New lined shoebox	2	(2) 23DS4711QP shoes & (1) 4515Q30 kit
	<b>23DP4711QP</b>	8 5/8" New lined shoe	4	23k premium grade, Dayton Parts DP23
	<b>SB23DP4711QP</b>	New lined shoebox	2	(2) 23DP4711QP shoes & (1) 4515Q30 kit
2	<b>08-108830</b>	OE Equivalent brake kit	2	1 1/4" roller - heavy duty return spring
	<b>4515Q30</b>	Cost-Plus brake kit	2	1 1/4" roller - heavy duty return spring
3	<b>SP</b>	Spider	2	Special order part
4	<b>Chart</b>	Camshaft	2	1 1/2" spider journal, 1 1/2"-28 spline, see cam section 16 1/2" Rockwell MG48
5	<b>SP</b>	Camshaft support tube	2	Special order part
6	<b>08-131800</b>	Camshaft kit	1	Nylatron spider bushing
	<b>08-131810</b>	Camshaft kit	1	Sintered metal spider bushing
7	<b>05-237</b>	Manual slack	2	1 1/2"-28 spline, 5 1/2" straight arm
	<b>05-263</b>	Manual slack - HD	2	1 1/2"-28 spline, 5 1/2" straight arm
	<b>05-463</b>	Automatic slack	2	1 1/2"-28 spline, 5 1/2" straight arm - Bendix replacement
	<b>05-563</b>	Automatic slack	2	1 1/2"-28 spline, 5 1/2" straight arm - Crewson replacement
	<b>05-763</b>	Automatic slack	2	1 1/2"-28 spline, 5 1/2" straight arm - Gunite replacement
	<b>05-363</b>	Automatic slack	2	1 1/2"-28 spline, 5 1/2" straight arm - Meritor replacement
8	—	Axle nut assembly	2	See 213 catalog, Not Shown
10	<b>02-517</b>	Dust shield	2	Bolts to the spider

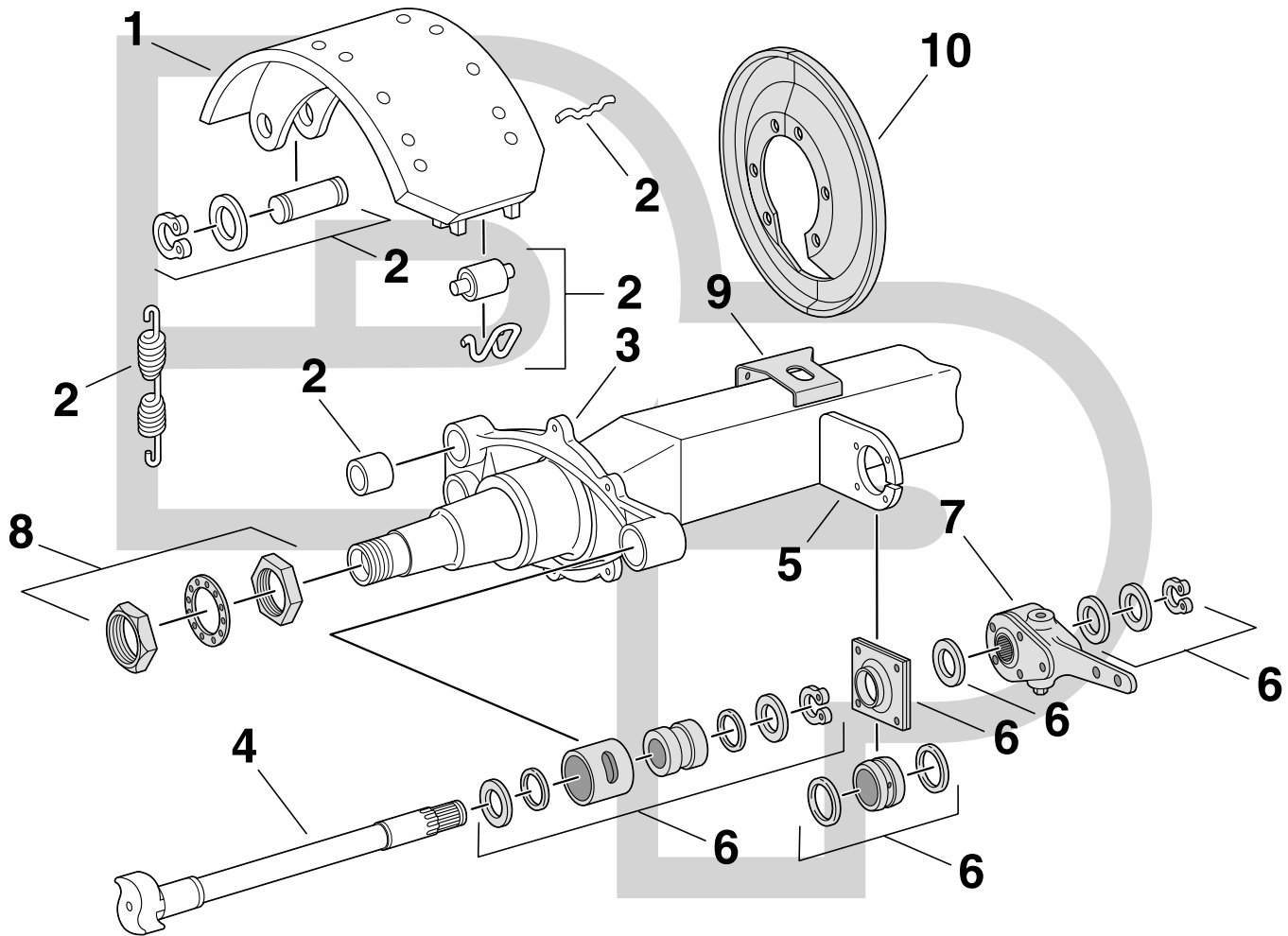


# Trailer R axle - P series (1969-74)

# 16 1/2" Rockwell

Schematics

Key No.	Part Number	Description	No. Req.	Comments
1	◆	7" Unlined brake shoe	4	4515E brake block - P shoe no longer available, replace w/4515Q shoes & kits both wheel ends per axle
	20E4515Q	7" New lined shoe	4	20k economy grade, Marathon MV20
	SB20E4515Q	New lined shoebox	2	(2) 20E4515Q shoes & (1) 4515Q30 kit
	20M4515Q	7" New lined shoe	4	20k medium grade, Marathon UB
	SB20M4515Q	New lined shoebox	2	(2) 20M4515Q shoes & (1) 4515Q30 kit
	21P4515Q	7" New lined shoe	4	21k premium grade, Marathon HS20
	SB21P4515Q	New lined shoebox	2	(2) 21P4515Q shoes & (1) 4515Q30 kit
	23E4515Q	7" New lined shoe	4	23k economy grade, Marathon MV23
	SB23E4515Q	New lined shoebox	2	(2) 23E4515Q shoes & (1) 4515Q30 kit
	23F4515Q	7" New lined shoe	4	23k fleet grade, Marathon FS23
	SB23F4515Q	New lined shoebox	2	(2) 23F4515Q shoes & (1) 4515Q30 kit
	23M4515Q	7" New lined shoe	4	23k medium grade, Marathon FLOE
	SB23M4515Q	New lined shoebox	2	(2) 23M4515Q shoes & (1) 4515Q30 kit
	23P4515Q	7" New lined shoe	4	23k premium grade, Marathon HS
	SB23P4515Q	New lined shoebox	2	(2) 23P4515Q shoes & (1) 4515Q30 kit
	23DS4515Q	7" New lined shoe	4	23k standard grade, Dayton Parts DS23
	SB23DS4515Q	New lined shoebox	2	(2) 23DS4515Q shoes & (1) 4515Q30 kit
	23DP4515Q	7" New lined shoe	4	23k premium grade, Dayton Parts DP23
	SB23DP4515Q	New lined shoebox	2	(2) 23DP4515Q shoes & (1) 4515Q30 kit
2	08-108830	OE Equivalent brake kit	2	1 1/4" roller - heavy duty return spring - Q shoe
	4515Q30	Cost-Plus brake kit	2	1 1/4" roller - heavy duty return spring - Q shoe
3	◆	Spider	2	Not available
4	Chart	Camshaft	2	1 1/2" spider journal, 1 1/2"-10 spline, see cam section 16 1/2" Rockwell MG57
5	◆	Camshaft support bracket	2	No longer available
6	08-130100	Camshaft kit	1	Nylon spider bushing w/support bushings & o-rings
	08-130101	Camshaft kit	1	Nylon spider bushing w/03-209 support bushing - zerk screws into bushing
	08-130105	Camshaft kit	1	Nylon spider bushing w/03-2091 support bushing - zerk screws into retainer plate
7	05-203	Manual slack	2	1 1/2"-10 spline, 6" straight arm
	05-260	Manual slack - HD	2	1 1/2"-10 spline, 6" straight arm
	05-460	Automatic slack	2	1 1/2"-10 spline, 6" straight arm - Bendix replacement
	05-560	Automatic slack	2	1 1/2"-10 spline, 6" straight arm - Crewson replacement
	05-760	Automatic slack	2	1 1/2"-10 spline, 6" straight arm - Gunite replacement
	05-660	Automatic slack	2	1 1/2"-10 spline, 6" straight arm - Haldex replacement
	05-360	Automatic slack	2	1 1/2"-10 spline, 6" straight arm - Meritor replacement
8	—	Axle nut assembly	2	See 213 catalog
9	Chart	Air chamber bracket	2	See air chamber bracket section
10	02-507HD	Dust shield	2	Bolts to the spider

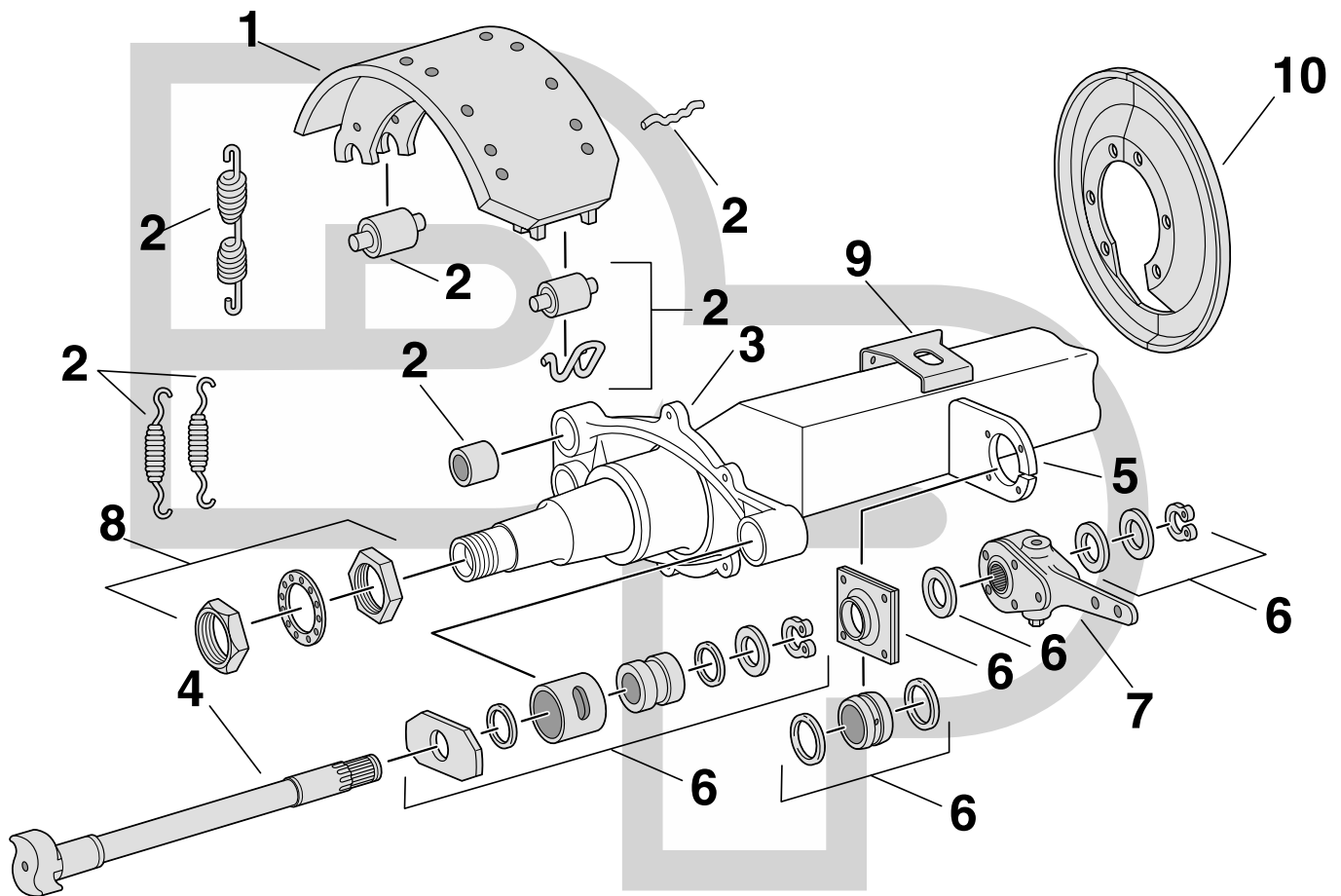


# Trailer R axle - P series (1975-82)

# 16 1/2" Rockwell

Schematics

Key No.	Part Number	Description	No. Req.	Comments
1	◆	7" Unlined brake shoe	4	4515E brake block - P shoe no longer available, replace w/4515Q shoes & kits both wheel ends per axle
	20E4515Q	7" New lined shoe	4	20k economy grade, Marathon MV20
	SB20E4515Q	New lined shoebox	2	(2) 20E4515Q shoes & (1) 4515Q30 kit
	20M4515Q	7" New lined shoe	4	20k medium grade, Marathon UB
	SB20M4515Q	New lined shoebox	2	(2) 20M4515Q shoes & (1) 4515Q30 kit
	21P4515Q	7" New lined shoe	4	21k premium grade, Marathon HS20
	SB21P4515Q	New lined shoebox	2	(2) 21P4515Q shoes & (1) 4515Q30 kit
	23E4515Q	7" New lined shoe	4	23k economy grade, Marathon MV23
	SB23E4515Q	New lined shoebox	2	(2) 23E4515Q shoes & (1) 4515Q30 kit
	23F4515Q	7" New lined shoe	4	23k fleet grade, Marathon FS23
	SB23F4515Q	New lined shoebox	2	(2) 23F4515Q shoes & (1) 4515Q30 kit
	23M4515Q	7" New lined shoe	4	23k medium grade, Marathon FLOE
	SB23M4515Q	New lined shoebox	2	(2) 23M4515Q shoes & (1) 4515Q30 kit
	23P4515Q	7" New lined shoe	4	23k premium grade, Marathon HS
	SB23P4515Q	New lined shoebox	2	(2) 23P4515Q shoes & (1) 4515Q30 kit
	23DS4515Q	7" New lined shoe	4	23k standard grade, Dayton Parts DS23
	SB23DS4515Q	New lined shoebox	2	(2) 23DS4515Q shoes & (1) 4515Q30 kit
	23DP4515Q	7" New lined shoe	4	23k premium grade, Dayton Parts DP23
	SB23DP4515Q	New lined shoebox	2	(2) 23DP4515Q shoes & (1) 4515Q30 kit
	◆	8 5/8" Unlined brake shoe	4	4551E brake block - P shoe no longer available, replace w/4551Q shoes & kits both wheel ends per axle
23P4551Q	8 5/8" New lined shoe	4	23k premium grade, Marathon HS	
SB23P4551Q	New lined shoebox	2	(2) 23P4551Q shoes & (1) 4515Q30 kit	
2	08-108830	OE Equivalent brake kit	2	1 1/4" roller - heavy duty return spring - Q shoe
	4515Q30	Cost-Plus brake kit	2	1 1/4" roller - heavy duty return spring - Q shoe
3	◆	Spider	2	Not available
4	Chart	Camshaft	2	1 5/8" spider journal, 1 1/2"-10 spline - MG88 cams no longer available, replace w/MG89 cams & 28 spline slacks both wheel ends per axle
5	◆	Camshaft support bracket	2	No longer available
6	08-130600	Camshaft kit	1	Fiberfil spider bushing w/support bushings & o-rings
	08-130601	Camshaft kit	1	Fiberfil spider bushing w/03-209 support bushing - zerk screws into bushing
	08-130605	Camshaft kit	1	Fiberfil spider bushing w/03-2091 support bushing - zerk screws into retainer plate
7	05-238	Manual slack	2	1 1/2"-28 spline, 6" straight arm - MG89 cam
	05-262	Manual slack - HD	2	1 1/2"-28 spline, 6" straight arm - MG89 cam
	05-462	Automatic slack	2	1 1/2"-28 spline, 6" straight arm - Bendix replacement - MG89 cam
	05-562	Automatic slack	2	1 1/2"-28 spline, 6" straight arm - Crewson replacement - MG89 cam
	05-762	Automatic slack	2	1 1/2"-28 spline, 6" straight arm - Gunite replacement - MG89 cam
	05-662	Automatic slack	2	1 1/2"-28 spline, 6" straight arm - Haldex replacement - MG89 cam
05-362	Automatic slack	2	1 1/2"-28 spline, 6" straight arm - Meritor replacement - MG89 cam	
8	—	Axle nut assembly	2	See 213 catalog
9	Chart	Air chamber bracket	2	See air chamber bracket section
10	02-507HD	Dust shield	2	Bolts to the spider



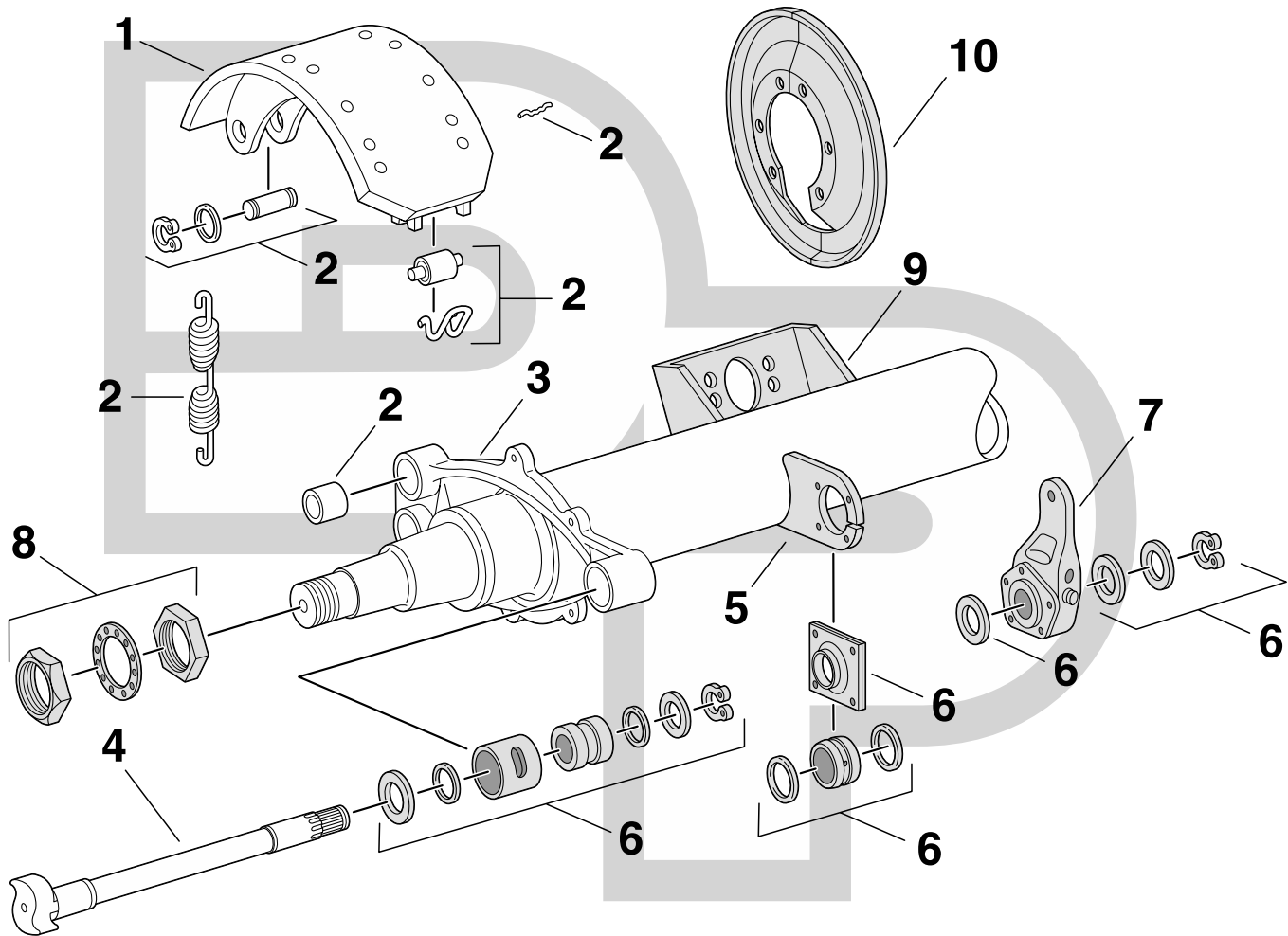
# Trailer R axle - Q series (1983-85)

# 16 1/2" Rockwell

Schematics

Key No.	Part Number	Description	No. Req.	Comments
1	4515Q	7" Unlined brake shoe	4	4515E brake block - 4515Q shoe available lined only
	20E4515Q	7" New lined shoe	4	20k economy grade, Marathon MV20
	SB20E4515Q	New lined shoebox	2	(2) 20E4515Q shoes & (1) 4515Q30 kit
	20M4515Q	7" New lined shoe	4	20k medium grade, Marathon UB
	SB20M4515Q	New lined shoebox	2	(2) 20M4515Q shoes & (1) 4515Q30 kit
	21P4515Q	7" New lined shoe	4	21k premium grade, Marathon HS20
	SB21P4515Q	New lined shoebox	2	(2) 21P4515Q shoes & (1) 4515Q30 kit
	23E4515Q	7" New lined shoe	4	23k economy grade, Marathon MV23
	SB23E4515Q	New lined shoebox	2	(2) 23E4515Q shoes & (1) 4515Q30 kit
	23F4515Q	7" New lined shoe	4	23k fleet grade, Marathon FS23
	SB23F4515Q	New lined shoebox	2	(2) 23F4515Q shoes & (1) 4515Q30 kit
	23M4515Q	7" New lined shoe	4	23k medium grade, Marathon FLOE
	SB23M4515Q	New lined shoebox	2	(2) 23M4515Q shoes & (1) 4515Q30 kit
	23P4515Q	7" New lined shoe	4	23k premium grade, Marathon HS
	SB23P4515Q	New lined shoebox	2	(2) 23P4515Q shoes & (1) 4515Q30 kit
	23DS4515Q	7" New lined shoe	4	23k standard grade, Dayton Parts DS23
	SB23DS4515Q	New lined shoebox	2	(2) 23DS4515Q shoes & (1) 4515Q30 kit
	23DP4515Q	7" New lined shoe	4	23k premium grade, Dayton Parts DP23
	SB23DP4515Q	New lined shoebox	2	(2) 23DP4515Q shoes & (1) 4515Q30 kit
	4551Q	8 5/8" Unlined brake shoe	4	4551B brake block - 4551Q shoe available lined only
23P4551Q	8 5/8" New lined shoe	4	23k premium grade, Marathon HS	
SB23P4551Q	New lined shoebox	2	(2) 23P4551Q shoes & (1) 4515Q30 kit	
2	08-108830	OE Equivalent brake kit	2	1 1/4" roller - heavy duty return spring
	4515Q30	Cost-Plus brake kit	2	1 1/4" roller - heavy duty return spring
3	◆	Spider	2	Not available
4	Chart	Camshaft	2	1 5/8" spider journal, 1 1/2"-28 spline, see cam section 16 1/2" Rockwell MG89
5	◆	Camshaft support bracket	2	No longer available
6	08-130620	Camshaft kit	1	Sintered metal spider bushing w/support bushings & o-rings
	08-130621	Camshaft kit	1	Sintered metal spider bushing w/03-209 support bushing - zerk screws into bushing
	08-130625	Camshaft kit	1	Sintered metal spider bushing w/03-2091 support bushing - zerk screws into retainer plate
7	05-238	Manual slack	2	1 1/2"-28 spline, 6" straight arm
	05-262	Manual slack - HD	2	1 1/2"-28 spline, 6" straight arm
	05-462	Automatic slack	2	1 1/2"-28 spline, 6" straight arm - Bendix replacement
	05-562	Automatic slack	2	1 1/2"-28 spline, 6" straight arm - Crewson replacement
	05-762	Automatic slack	2	1 1/2"-28 spline, 6" straight arm - Gunitite replacement
	05-662	Automatic slack	2	1 1/2"-28 spline, 6" straight arm - Haldex replacement
05-362	Automatic slack	2	1 1/2"-28 spline, 6" straight arm - Meritor replacement	
8	—	Axle nut assembly	2	See 213 catalog
9	Chart	Air chamber bracket	2	See air chamber bracket section
10	02-507HD	Dust shield	2	Bolts to the spider



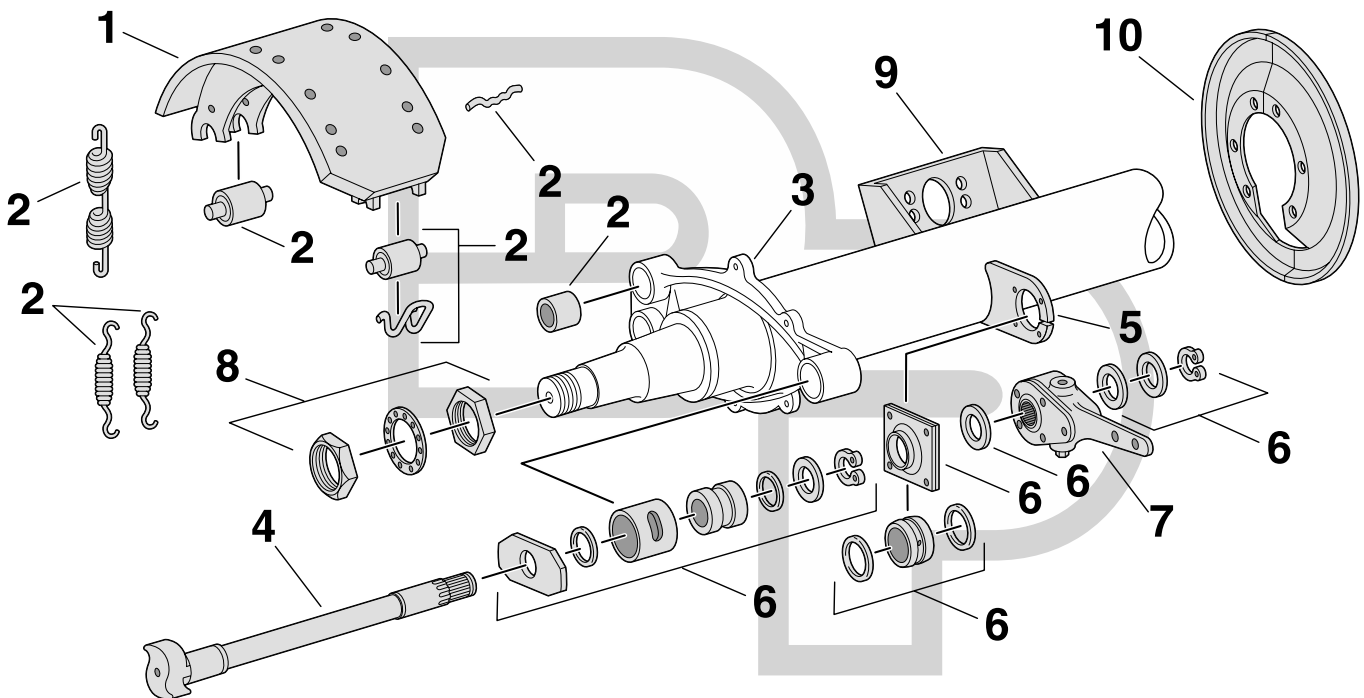


# Trailer T axle - P series (1975-82)

# 16 1/2" Rockwell

Schematics

Key No.	Part Number	Description	No. Req.	Comments
1	◆	7" Unlined brake shoe	4	4515E brake block - P shoe no longer available, replace w/4515Q shoes & kits w/MG89 cams both wheel ends per axle
	20E4515Q	7" New lined shoe	4	20k economy grade, Marathon MV20
	SB20E4515Q	New lined shoebox	2	(2) 20E4515Q shoes & (1) 4515Q30 kit
	20M4515Q	7" New lined shoe	4	20k medium grade, Marathon UB
	SB20M4515Q	New lined shoebox	2	(2) 20M4515Q shoes & (1) 4515Q30 kit
	21P4515Q	7" New lined shoe	4	21k premium grade, Marathon HS20
	SB21P4515Q	New lined shoebox	2	(2) 21P4515Q shoes & (1) 4515Q30 kit
	23E4515Q	7" New lined shoe	4	23k economy grade, Marathon MV23
	SB23E4515Q	New lined shoebox	2	(2) 23E4515Q shoes & (1) 4515Q30 kit
	23F4515Q	7" New lined shoe	4	23k fleet grade, Marathon FS23
	SB23F4515Q	New lined shoebox	2	(2) 23F4515Q shoes & (1) 4515Q30 kit
	23M4515Q	7" New lined shoe	4	23k medium grade, Marathon FLOE
	SB23M4515Q	New lined shoebox	2	(2) 23M4515Q shoes & (1) 4515Q30 kit
	23P4515Q	7" New lined shoe	4	23k premium grade, Marathon HS
	SB23P4515Q	New lined shoebox	2	(2) 23P4515Q shoes & (1) 4515Q30 kit
	23DS4515Q	7" New lined shoe	4	23k standard grade, Dayton Parts DS23
	SB23DS4515Q	New lined shoebox	2	(2) 23DS4515Q shoes & (1) 4515Q30 kit
	23DP4515Q	7" New lined shoe	4	23k premium grade, Dayton Parts DP23
	SB23DP4515Q	New lined shoebox	2	(2) 23DP4515Q shoes & (1) 4515Q30 kit
	◆	8 5/8" Unlined brake shoe	4	4551E brake block - P shoe no longer available, replace w/4551Q shoes & kits w/MG89 cams & 28 spline slacks both wheel ends per axle
23P4551Q	8 5/8" New lined shoe	4	23k premium grade, Marathon HS	
SB23P4551Q	New lined shoebox	2	(2) 23P4551Q shoes & (1) 4515Q30 kit	
2	08-108830	OE Equivalent brake kit	2	1 1/4" roller - heavy duty return spring - Q shoe
	4515Q30	Cost-Plus brake kit	2	1 1/4" roller - heavy duty return spring - Q shoe
3	◆	Spider	2	Not available
4	◆	Camshaft	2	1 5/8" spider journal, 1 1/2"-10 spline - MG88 cams no longer available, replace w/MG89 cams & 28 spline slacks both wheel ends per axle
5	03-130	Camshaft support bracket	2	03-209 support bushing - zerk screws into bushing
	03-132	Camshaft support bracket	2	03-2091 support bushing - zerk screws into retainer plate
6	08-130600	Camshaft kit	1	Fiberfil spider bushing w/support bushings & o-rings
	08-130601	Camshaft kit	1	Fiberfil spider bushing w/03-209 support bushing - zerk screws into bushing
	08-130605	Camshaft kit	1	Fiberfil spider bushing w/03-2091 support bushing - zerk screws into retainer plate
7	05-238	Manual slack	2	1 1/2"-28 spline, 6" straight arm - MG89 cam
	05-262	Manual slack - HD	2	1 1/2"-28 spline, 6" straight arm - MG89 cam
	05-462	Automatic slack	2	1 1/2"-28 spline, 6" straight arm - Bendix replacement - MG89 cam
	05-562	Automatic slack	2	1 1/2"-28 spline, 6" straight arm - Crewson replacement - MG89 cam
	05-762	Automatic slack	2	1 1/2"-28 spline, 6" straight arm - Gunite replacement - MG89 cam
	05-662	Automatic slack	2	1 1/2"-28 spline, 6" straight arm - Haldex replacement - MG89 cam
	05-362	Automatic slack	2	1 1/2"-28 spline, 6" straight arm - Meritor replacement - MG89 cam
8	—	Axle nut assembly	2	See 213 catalog
9	Chart	Air chamber bracket	2	See air chamber bracket section
10	02-507HD	Dust shield	2	Bolts to the spider

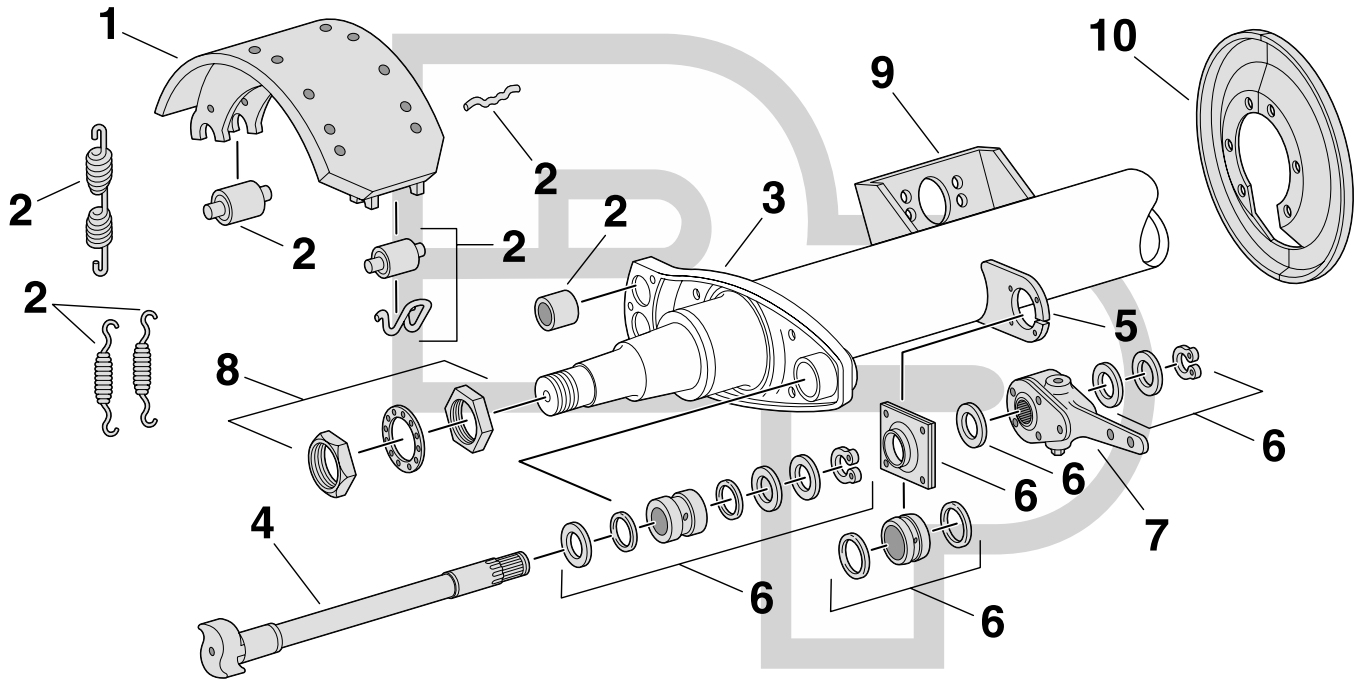


# Trailer T axle - Q series (1983-85)

# 16 1/2" Rockwell

Schematics

Key No.	Part Number	Description	No. Req.	Comments
1	4515Q	7" Unlined brake shoe	4	4515E brake block - 4515Q shoe available lined only
	20E4515Q	7" New lined shoe	4	20k economy grade, Marathon MV20
	SB20E4515Q	New lined shoebox	2	(2) 20E4515Q shoes & (1) 4515Q30 kit
	20M4515Q	7" New lined shoe	4	20k medium grade, Marathon UB
	SB20M4515Q	New lined shoebox	2	(2) 20M4515Q shoes & (1) 4515Q30 kit
	21P4515Q	7" New lined shoe	4	21k premium grade, Marathon HS20
	SB21P4515Q	New lined shoebox	2	(2) 21P4515Q shoes & (1) 4515Q30 kit
	23E4515Q	7" New lined shoe	4	23k economy grade, Marathon MV23
	SB23E4515Q	New lined shoebox	2	(2) 23E4515Q shoes & (1) 4515Q30 kit
	23F4515Q	7" New lined shoe	4	23k fleet grade, Marathon FS23
	SB23F4515Q	New lined shoebox	2	(2) 23F4515Q shoes & (1) 4515Q30 kit
	23M4515Q	7" New lined shoe	4	23k medium grade, Marathon FLOE
	SB23M4515Q	New lined shoebox	2	(2) 23M4515Q shoes & (1) 4515Q30 kit
	23P4515Q	7" New lined shoe	4	23k premium grade, Marathon HS
	SB23P4515Q	New lined shoebox	2	(2) 23P4515Q shoes & (1) 4515Q30 kit
	23DS4515Q	7" New lined shoe	4	23k standard grade, Dayton Parts DS23
	SB23DS4515Q	New lined shoebox	2	(2) 23DS4515Q shoes & (1) 4515Q30 kit
	23DP4515Q	7" New lined shoe	4	23k premium grade, Dayton Parts DP23
	SB23DP4515Q	New lined shoebox	2	(2) 23DP4515Q shoes & (1) 4515Q30 kit
	1	4551Q	8 5/8" Unlined brake shoe	4
23P4551Q		8 5/8" New lined shoe	4	23k premium grade, Marathon HS
SB23P4551Q		New lined shoebox	2	(2) 23P4551Q shoes & (1) 4515Q30 kit
2	08-108830	OE Equivalent brake kit	2	1 1/4" roller - heavy duty return spring
	4515Q30	Cost-Plus brake kit	2	1 1/4" roller - heavy duty return spring
3	◆	Spider	2	Not available
4	Chart	Camshaft	2	1 5/8" spider journal, 1 1/2"-28 spline, see cam section 16 1/2" Rockwell MG89
5	03-130	Camshaft support bracket	2	03-209 support bushing - zerk screws into bushing
	03-132	Camshaft support bracket	2	03-2091 support bushing - zerk screws into retainer plate
6	08-130620	Camshaft kit	1	Sintered metal spider bushing w/support bushings & o-rings
	08-130621	Camshaft kit	1	Sintered metal spider bushing w/03-209 support bushing - zerk screws into bushing
	08-130625	Camshaft kit	1	Sintered metal spider bushing w/03-2091 support bushing - zerk screws into retainer plate
7	05-238	Manual slack	2	1 1/2"-28 spline, 6" straight arm
	05-262	Manual slack - HD	2	1 1/2"-28 spline, 6" straight arm
	05-462	Automatic slack	2	1 1/2"-28 spline, 6" straight arm - Bendix replacement
	05-562	Automatic slack	2	1 1/2"-28 spline, 6" straight arm - Crewson replacement
	05-762	Automatic slack	2	1 1/2"-28 spline, 6" straight arm - Gunite replacement
	05-662	Automatic slack	2	1 1/2"-28 spline, 6" straight arm - Haldex replacement
	05-362	Automatic slack	2	1 1/2"-28 spline, 6" straight arm - Meritor replacement
8	—	Axle nut assembly	2	See 213 catalog
9	Chart	Air chamber bracket	2	See air chamber bracket section
10	02-507HD	Dust shield	2	Bolts to the spider

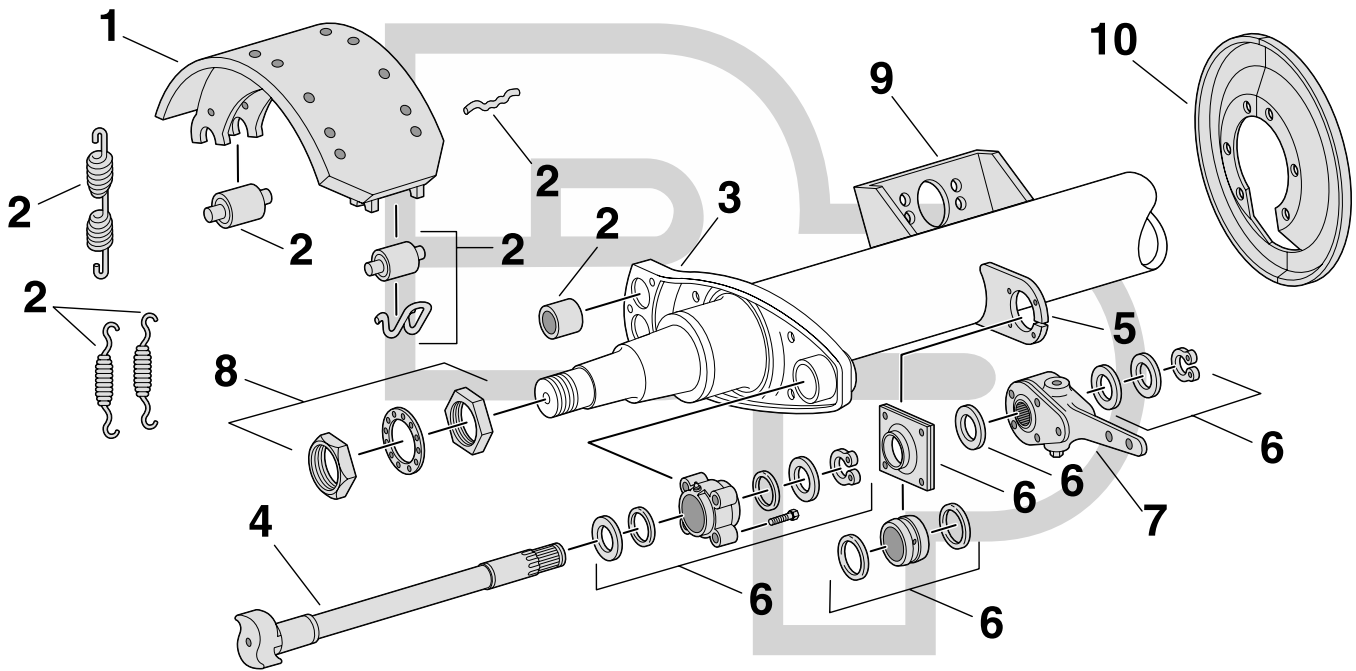


# Trailer T axle - Q series (1985-87)

# 16 1/2" Rockwell

Schematics

Key No.	Part Number	Description	No. Req.	Comments
1	4515Q	7" Unlined brake shoe	4	4515E brake block - 4515Q shoe available lined only
	20E4515Q	7" New lined shoe	4	20k economy grade, Marathon MV20
	SB20E4515Q	New lined shoebox	2	(2) 20E4515Q shoes & (1) 4515Q30 kit
	20M4515Q	7" New lined shoe	4	20k medium grade, Marathon UB
	SB20M4515Q	New lined shoebox	2	(2) 20M4515Q shoes & (1) 4515Q30 kit
	21P4515Q	7" New lined shoe	4	21k premium grade, Marathon HS20
	SB21P4515Q	New lined shoebox	2	(2) 21P4515Q shoes & (1) 4515Q30 kit
	23E4515Q	7" New lined shoe	4	23k economy grade, Marathon MV23
	SB23E4515Q	New lined shoebox	2	(2) 23E4515Q shoes & (1) 4515Q30 kit
	23F4515Q	7" New lined shoe	4	23k fleet grade, Marathon FS23
	SB23F4515Q	New lined shoebox	2	(2) 23F4515Q shoes & (1) 4515Q30 kit
	23M4515Q	7" New lined shoe	4	23k medium grade, Marathon FLOE
	SB23M4515Q	New lined shoebox	2	(2) 23M4515Q shoes & (1) 4515Q30 kit
	23P4515Q	7" New lined shoe	4	23k premium grade, Marathon HS
	SB23P4515Q	New lined shoebox	2	(2) 23P4515Q shoes & (1) 4515Q30 kit
	23DS4515Q	7" New lined shoe	4	23k standard grade, Dayton Parts DS23
	SB23DS4515Q	New lined shoebox	2	(2) 23DS4515Q shoes & (1) 4515Q30 kit
	23DP4515Q	7" New lined shoe	4	23k premium grade, Dayton Parts DP23
	SB23DP4515Q	New lined shoebox	2	(2) 23DP4515Q shoes & (1) 4515Q30 kit
	2	4551Q	8 5/8" Unlined brake shoe	4
23P4551Q		8 5/8" New lined shoe	4	23k premium grade, Marathon HS
SB23P4551Q		New lined shoebox	2	(2) 23P4551Q shoes & (1) 4515Q30 kit
08-108830		OE Equivalent brake kit	2	1 1/4" roller - heavy duty return spring
3	4515Q30	Cost-Plus brake kit	2	1 1/4" roller - heavy duty return spring
	◆	Spider	2	Not available
4	Chart	Camshaft	2	1 5/8" spider journal, 1 1/2"-28 spline, see cam section 16 1/2" Rockwell MG89
5	03-130	Camshaft support bracket	2	03-209 support bushing - zerk screws into bushing
	03-132	Camshaft support bracket	2	03-2091 support bushing - zerk screws into retainer plate
6	02-247	Weld-in boss	2	Use 02-2461 sintered metal spider bushing kit
	08-130620	Camshaft kit	1	Sintered metal spider bushing w/support bushings & o-rings
	08-130621	Camshaft kit	1	Sintered metal spider bushing w/03-209 support bushing - zerk screws into bushing
	08-130625	Camshaft kit	1	Sintered metal spider bushing w/03-2091 support bushing - zerk screws into retainer plate
7	05-238	Manual slack	2	1 1/2"-28 spline, 6" straight arm
	05-262	Manual slack - HD	2	1 1/2"-28 spline, 6" straight arm
	05-462	Automatic slack	2	1 1/2"-28 spline, 6" straight arm - Bendix replacement
	05-562	Automatic slack	2	1 1/2"-28 spline, 6" straight arm - Crewson replacement
	05-762	Automatic slack	2	1 1/2"-28 spline, 6" straight arm - Gunite replacement
	05-662	Automatic slack	2	1 1/2"-28 spline, 6" straight arm - Haldex replacement
	05-362	Automatic slack	2	1 1/2"-28 spline, 6" straight arm - Meritor replacement
8	—	Axle nut assembly	2	See 213 catalog
9	Chart	Air chamber bracket	2	See air chamber bracket section
10	02-515	Dust shield	2	Fabricated spider



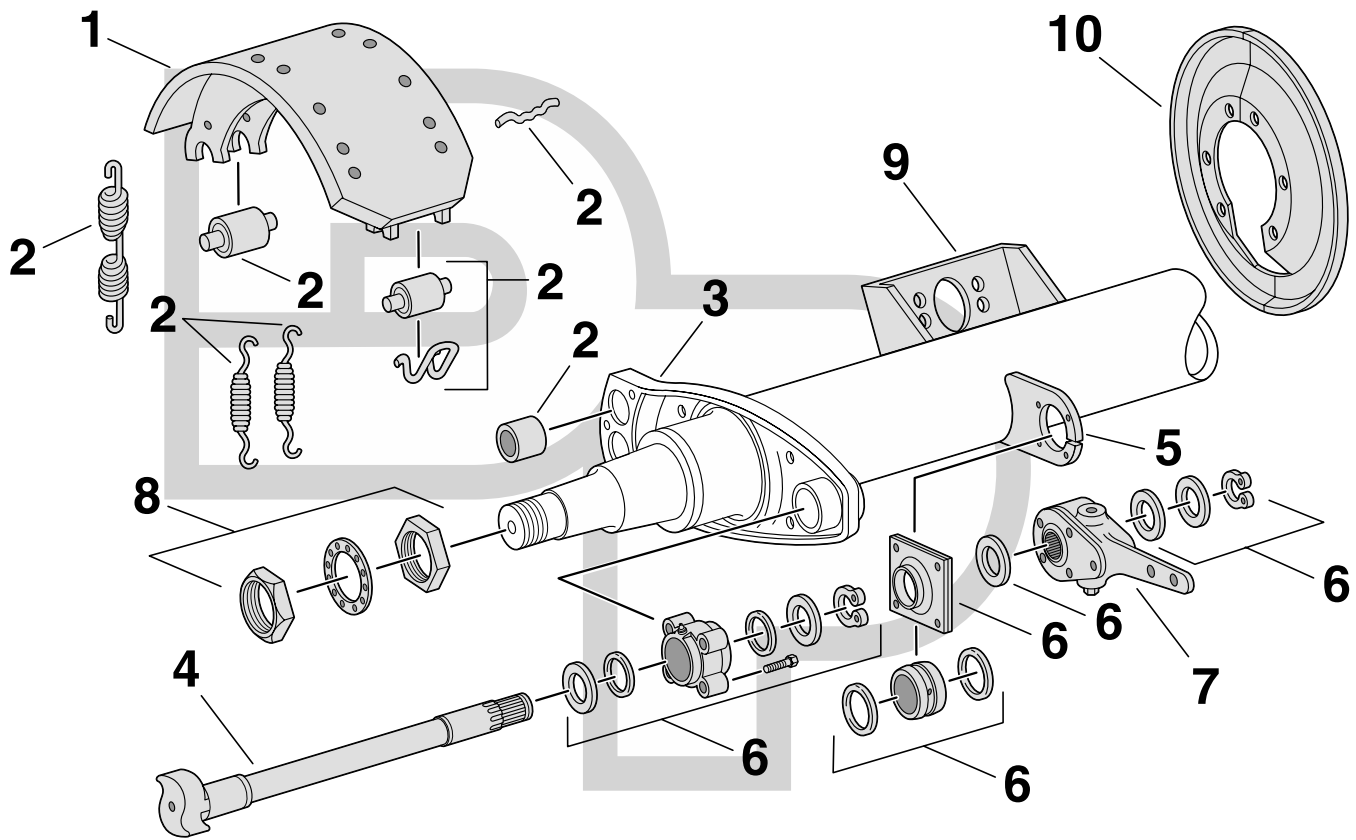
# Trailer T axle - Q series (1988-90)

# 16 1/2" Rockwell

Schematics

Key No.	Part Number	Description	No. Req.	Comments
1	4515Q	7" Unlined brake shoe	4	4515E brake block - 4515Q shoe available lined only
	20E4515Q	7" New lined shoe	4	20k economy grade, Marathon MV20
	SB20E4515Q	New lined shoebox	2	(2) 20E4515Q shoes & (1) 4515Q30 kit
	20M4515Q	7" New lined shoe	4	20k medium grade, Marathon UB
	SB20M4515Q	New lined shoebox	2	(2) 20M4515Q shoes & (1) 4515Q30 kit
	21P4515Q	7" New lined shoe	4	21k premium grade, Marathon HS20
	SB21P4515Q	New lined shoebox	2	(2) 21P4515Q shoes & (1) 4515Q30 kit
	23E4515Q	7" New lined shoe	4	23k economy grade, Marathon MV23
	SB23E4515Q	New lined shoebox	2	(2) 23E4515Q shoes & (1) 4515Q30 kit
	23F4515Q	7" New lined shoe	4	23k fleet grade, Marathon FS23
	SB23F4515Q	New lined shoebox	2	(2) 23F4515Q shoes & (1) 4515Q30 kit
	23M4515Q	7" New lined shoe	4	23k medium grade, Marathon FLOE
	SB23M4515Q	New lined shoebox	2	(2) 23M4515Q shoes & (1) 4515Q30 kit
	23P4515Q	7" New lined shoe	4	23k premium grade, Marathon HS
	SB23P4515Q	New lined shoebox	2	(2) 23P4515Q shoes & (1) 4515Q30 kit
	23DS4515Q	7" New lined shoe	4	23k standard grade, Dayton Parts DS23
	SB23DS4515Q	New lined shoebox	2	(2) 23DS4515Q shoes & (1) 4515Q30 kit
	23DP4515Q	7" New lined shoe	4	23k premium grade, Dayton Parts DP23
	SB23DP4515Q	New lined shoebox	2	(2) 23DP4515Q shoes & (1) 4515Q30 kit
	2	4551Q	8 5/8" Unlined brake shoe	4
23P4551Q		8 5/8" New lined shoe	4	23k premium grade, Marathon HS
SB23P4551Q		New lined shoebox	2	(2) 23P4551Q shoes & (1) 4515Q30 kit
08-108830		OE Equivalent brake kit	2	1 1/4" roller - heavy duty return spring
3	4515Q30	Cost-Plus brake kit	2	1 1/4" roller - heavy duty return spring
	◆	Spider	2	Not available
4	Chart	Camshaft	2	1 5/8" spider journal, 1 1/2"-28 spline - see cam section 16 1/2" Rockwell MG89
	03-130	Camshaft support bracket	2	03-209 support bushing - zerk screws into bushing
5	03-132	Camshaft support bracket	2	03-2091 support bushing - zerk screws into retainer plate
	02-2481	Spider boss kit	2	Sintered metal 4 bolt boss
	08-130610	Camshaft kit	1	Sintered metal 4 bolt boss w/support bushings & o-rings
	08-130611	Camshaft kit	1	Sintered metal 4 bolt boss w/03-209 support bushing - zerk screws into bushing
	08-130615	Camshaft kit	1	Sintered metal 4 bolt boss w/03-2091 support bushing - zerk screws into retainer plate
6	05-238	Manual slack	2	1 1/2"-28 spline, 6" straight arm
	05-262	Manual slack - HD	2	1 1/2"-28 spline, 6" straight arm
	05-462	Automatic slack	2	1 1/2"-28 spline, 6" straight arm - Bendix replacement
	05-562	Automatic slack	2	1 1/2"-28 spline, 6" straight arm - Crewson replacement
	05-762	Automatic slack	2	1 1/2"-28 spline, 6" straight arm - Gunite replacement
	05-662	Automatic slack	2	1 1/2"-28 spline, 6" straight arm - Haldex replacement
	05-362	Automatic slack	2	1 1/2"-28 spline, 6" straight arm - Meritor replacement
	8	—	Axle nut assembly	2
9	Chart	Air chamber bracket	2	See air chamber bracket section
	02-515	Dust shield	2	Fabricated spider





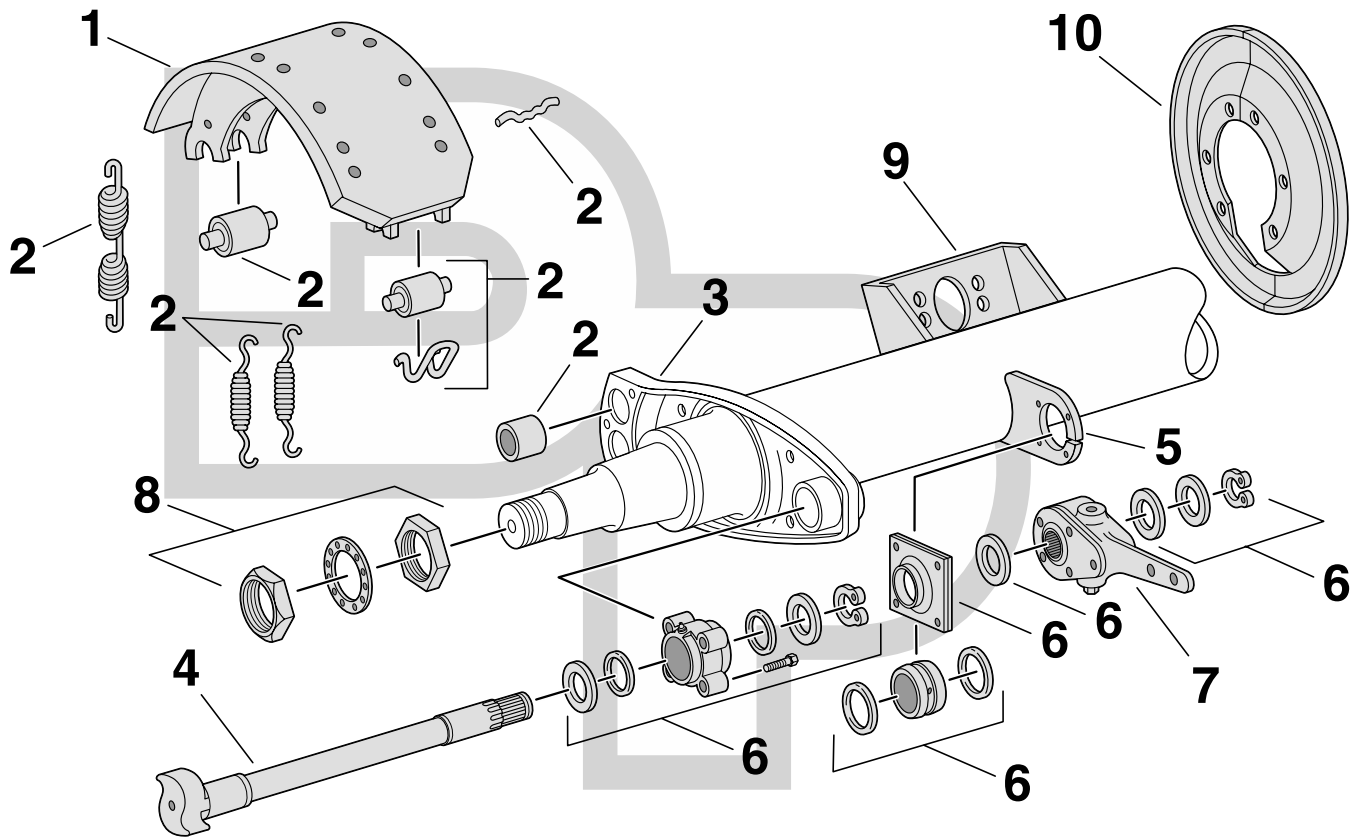
# Trailer T axle - Q-Plus series (1991-present)

# 16 1/2" Rockwell

Schematics

Key No.	Part Number	Description	No. Req.	Comments
1	4707QP	7" Unlined brake shoe	4	4707 brake block - 4707QP shoe available lined only
	20E4707QP	7" New lined shoe	4	20k economy grade, Marathon MV20
	SB20E4707QP	New lined shoebox	2	(2) 20E4707QP shoes & (1) 4515Q30 kit
	20M4707QP	7" New lined shoe	4	20k medium grade, Marathon UB
	SB20M4707QP	New lined shoebox	2	(2) 20M4707QP shoes & (1) 4515Q30 kit
	21P4707QP	7" New lined shoe	4	21k premium grade, Marathon HS20
	SB21P4707QP	New lined shoebox	2	(2) 21P4707QP shoes & (1) 4515Q30 kit
	23E4707QP	7" New lined shoe	4	23k economy grade, Marathon MV23
	SB23E4707QP	New lined shoebox	2	(2) 23E4707QP shoes & (1) 4515Q30 kit
	23F4707QP	7" New lined shoe	4	23k fleet grade, Marathon FS23
	SB23F4707QP	New lined shoebox	2	(2) 23F4707QP shoes & (1) 4515Q30 kit
	23M4707QP	7" New lined shoe	4	23k medium grade, Marathon FLOE
	SB23M4707QP	New lined shoebox	2	(2) 23M4707QP shoes & (1) 4515Q30 kit
	23P4707QP	7" New lined shoe	4	23k premium grade, Marathon HS
	SB23P4707QP	New lined shoebox	2	(2) 23P4707QP shoes & (1) 4515Q30 kit
	23S4707QP	7" New lined shoe	4	23k semi-met combo, Marathon MBC
	SB23S4707QP	New lined shoebox	2	(2) 23S4707QP shoes & (1) 4515Q30 kit
	21CV4707QP	7" New lined shoe	4	21k commercial vehicle grade, Dayton Parts CV21
	SB21CV4707QP	New lined shoebox	2	(2) 21CV4707QP shoes & (1) 4515Q30 kit
	23CV4707QP	7" New lined shoe	4	23k commercial vehicle grade, Dayton Parts CV23
	SB23CV4707QP	New lined shoebox	2	(2) 23CV4707QP shoes & (1) 4515Q30 kit
	23DS4707QP	7" New lined shoe	4	23k standard grade, Dayton Parts DS23
	SB23DS4707QP	New lined shoebox	2	(2) 23DS4707QP shoes & (1) 4515Q30 kit
	23DP4707QP	7" New lined shoe	4	23k premium grade, Dayton Parts DP23
	SB23DP4707QP	New lined shoebox	2	(2) 23DP4707QP shoes & (1) 4515Q30 kit
	4711QP	8 5/8" Unlined brake shoe	4	4711 brake block - 4711QP shoe available lined only
	21P4711QP	8 5/8" New lined shoe	4	21k premium grade, Marathon HS20
	SB21P4711QP	New lined shoebox	2	(2) 21P4711QP shoes & (1) 4515Q30 kit
	23M4711QP	8 5/8" New lined shoe	4	23k medium grade, Marathon FLOE
	SB23M4711QP	New lined shoebox	2	(2) 23M4711QP shoes & (1) 4515Q30 kit
	21CV4711QP	8 5/8" New lined shoe	4	21k commercial vehicle grade, Dayton Parts CV21
	SB21CV4711QP	New lined shoebox	2	(2) 21CV4711QP shoes & (1) 4515Q30 kit
	23CV4711QP	8 5/8" New lined shoe	4	23k commercial vehicle grade, Dayton Parts CV23
	SB23CV4711QP	New lined shoebox	2	(2) 23CV4711QP shoes & (1) 4515Q30 kit
	23DS4711QP	8 5/8" New lined shoe	4	23k standard grade, Dayton Parts DS23
	SB23DS4711QP	New lined shoebox	2	(2) 23DS4711QP shoes & (1) 4515Q30 kit
	23DP4711QP	8 5/8" New lined shoe	4	23k premium grade, Dayton Parts DP23
	SB23DP4711QP	New lined shoebox	2	(2) 23DP4711QP shoes & (1) 4515Q30 kit

\*Continued on page 145

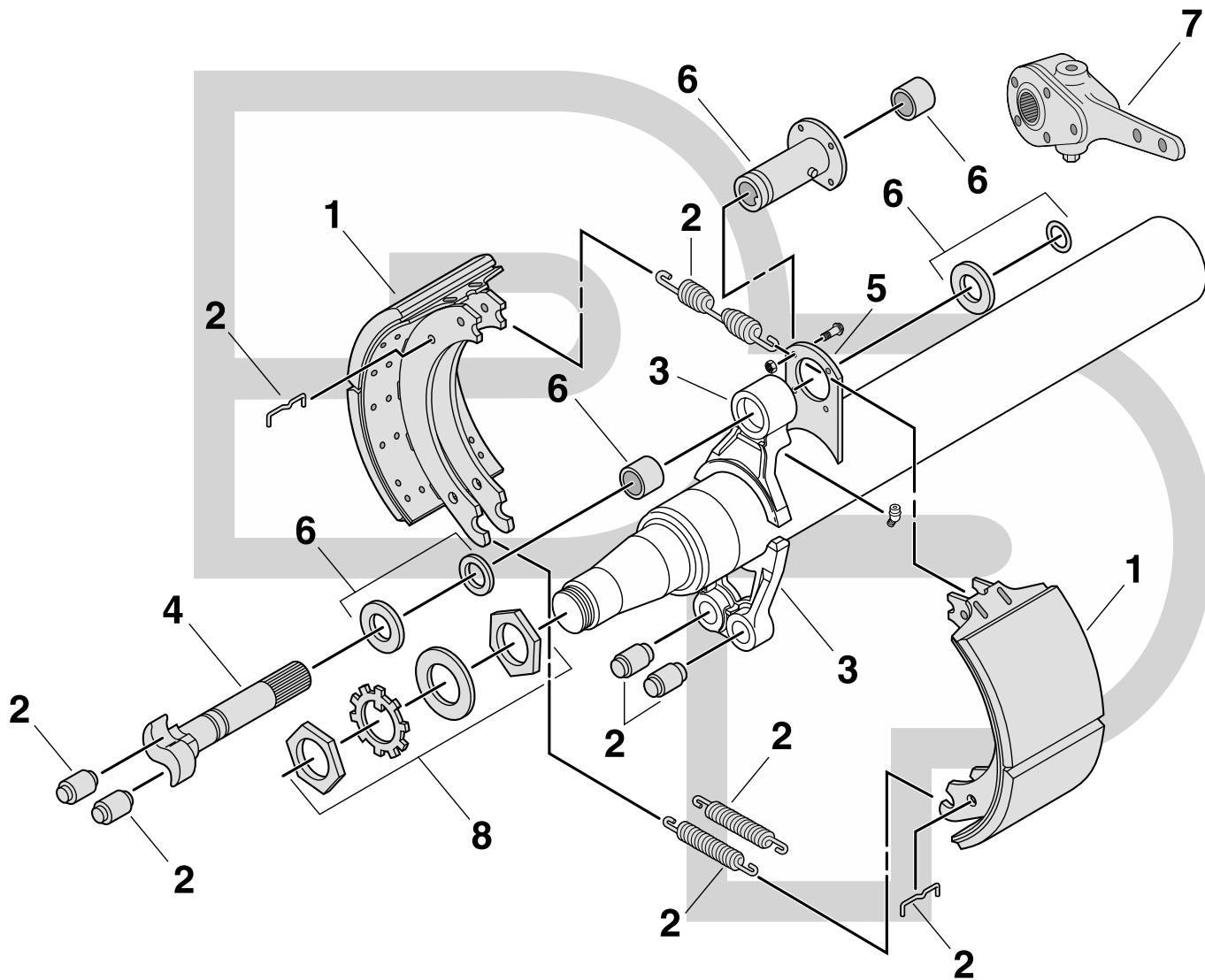


# Trailer T axle - Q-Plus series (1991-present) - continued

# 16 1/2" Rockwell

Schematics

Key No.	Part Number	Description	No. Req.	Comments
2	<b>08-108830</b> <b>4515Q30</b>	OE Equivalent brake kit Cost-Plus brake kit	2 2	1 1/4" roller - heavy duty return spring 1 1/4" roller - heavy duty return spring
3	◆	Spider	2	Not available
4	<b>Chart</b>	Camshaft	2	1 5/8" spider journal, 1 1/2"-28 spline, see cam section 16 1/2" Rockwell MG93
5	<b>03-130</b>	Camshaft support bracket	2	03-209 support bushing - zerk screws into bushing
	<b>03-132</b>	Camshaft support bracket	2	03-2091 support bushing - zerk screws into retainer plate
6	<b>02-2481</b>	Spider boss kit	2	Sintered metal 4 bolt boss
	<b>08-130610</b>	Camshaft kit	1	Sintered metal 4 bolt boss w/support bushings & o-rings
	<b>08-130611</b>	Camshaft kit	1	Sintered metal 4 bolt boss w/03-209 support bushing - zerk screws into bushing
	<b>08-130615</b>	Camshaft kit	1	Sintered metal 4 bolt boss w/03-2091 support bushing - zerk screws into retainer plate
7	<b>05-238</b>	Manual slack	2	1 1/2"-28 spline, 6" straight arm
	<b>05-262</b>	Manual slack - HD	2	1 1/2"-28 spline, 6" straight arm
	<b>05-462</b>	Automatic slack	2	1 1/2"-28 spline, 6" straight arm - Bendix replacement
	<b>05-562</b>	Automatic slack	2	1 1/2"-28 spline, 6" straight arm - Crewson replacement
	<b>05-762</b>	Automatic slack	2	1 1/2"-28 spline, 6" straight arm - Gunite replacement
	<b>05-662</b>	Automatic slack	2	1 1/2"-28 spline, 6" straight arm - Haldex replacement
	<b>05-362</b>	Automatic slack	2	1 1/2"-28 spline, 6" straight arm - Meritor replacement
8	—	Axle nut assembly	2	See 213 catalog
9	<b>Chart</b>	Air chamber bracket	2	See air chamber bracket section
10	<b>02-515</b>	Dust shield	2	Fabricated spider

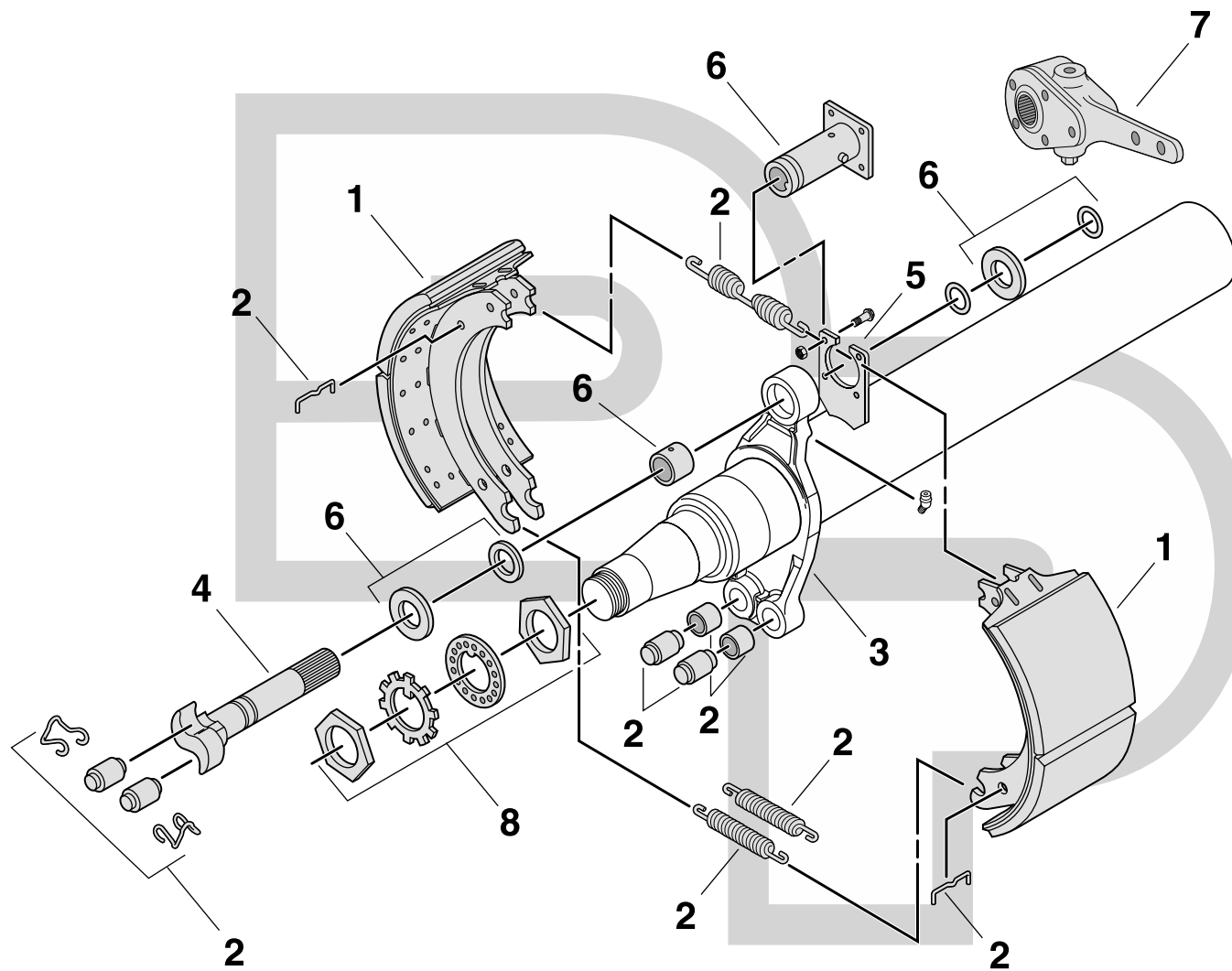


# Trailer axle - Integra series IMT axle

# 16 1/2" Watson

Schematics

Key No.	Part Number	Description	No. Req.	Comments
1	4707QP	7" Unlined brake shoe	4	4707 brake block - 4707QP shoe available lined only
	20E4707QP	7" New lined shoe	4	20k economy grade, Marathon MV20
	SB20E4707QP	New lined shoebox	2	(2) 20E4707QP shoes & (1) 4515Q30 kit
	20M4707QP	7" New lined shoe	4	20k medium grade, Marathon UB
	SB20M4707QP	New lined shoebox	2	(2) 20M4707QP shoes & (1) 4515Q30 kit
	21P4707QP	7" New lined shoe	4	21k premium grade, Marathon HS20
	SB21P4707QP	New lined shoebox	2	(2) 21P4707QP shoes & (1) 4515Q30 kit
	23E4707QP	7" New lined shoe	4	23k economy grade, Marathon MV23
	SB23E4707QP	New lined shoebox	2	(2) 23E4707QP shoes & (1) 4515Q30 kit
	23F4707QP	7" New lined shoe	4	23k fleet grade, Marathon FS23
	SB23F4707QP	New lined shoebox	2	(2) 23F4707QP shoes & (1) 4515Q30 kit
	23M4707QP	7" New lined shoe	4	23k medium grade, Marathon FLOE
	SB23M4707QP	New lined shoebox	2	(2) 23M4707QP shoes & (1) 4515Q30 kit
	23P4707QP	7" New lined shoe	4	23k premium grade, Marathon HS
	SB23P4707QP	New lined shoebox	2	(2) 23P4707QP shoes & (1) 4515Q30 kit
	23S4707QP	7" New lined shoe	4	23k semi-met combo, Marathon MBC
	SB23S4707QP	New lined shoebox	2	(2) 23S4707QP shoes & (1) 4515Q30 kit
	21CV4707QP	7" New lined shoe	4	21k commercial vehicle grade, Dayton Parts CV21
	SB21CV4707QP	New lined shoebox	2	(2) 21CV4707QP shoes & (1) 4515Q30 kit
	23CV4707QP	7" New lined shoe	4	23k commercial vehicle grade, Dayton Parts CV23
	SB23CV4707QP	New lined shoebox	2	(2) 23CV4707QP shoes & (1) 4515Q30 kit
	23DS4707QP	7" New lined shoe	4	23k standard grade, Dayton Parts DS23
	SB23DS4707QP	New lined shoebox	2	(2) 23DS4707QP shoes & (1) 4515Q30 kit
23DP4707QP	7" New lined shoe	4	23k premium grade, Dayton Parts DP23	
SB23DP4707QP	New lined shoebox	2	(2) 23DP4707QP shoes & (1) 4515Q30 kit	
2	08-108830	OE Equivalent brake kit	2	1 1/4" roller - heavy duty return spring
	4515Q30	Cost-Plus brake kit	2	1 1/4" roller - heavy duty return spring
3	◆	Spider	2	Not available
4	Chart	Camshaft	2	1 1/2" spider journal, 1 1/2"-28 spline, see cam section 16 1/2" Watson MG50
5	SP	Camshaft support bracket	2	Special order part
6	03-143	Camshaft tube kit	2	Cam tube w/D head plate, wheel kit only
7	05-237	Manual slack	2	1 1/2"-28 spline, 5 1/2" straight arm
	05-263	Manual slack - HD	2	1 1/2"-28 spline, 5 1/2" straight arm
	05-463	Automatic slack	2	1 1/2"-28 spline, 5 1/2" straight arm - Bendix replacement
	05-563	Automatic slack	2	1 1/2"-28 spline, 5 1/2" straight arm - Crewson replacement
	05-763	Automatic slack	2	1 1/2"-28 spline, 5 1/2" straight arm - Gunite replacement
	05-363	Automatic slack	2	1 1/2"-28 spline, 5 1/2" straight arm - Meritor replacement
	05-238	Manual slack	2	1 1/2"-28 spline, 6" straight arm
	05-262	Manual slack - HD	2	1 1/2"-28 spline, 6" straight arm
	05-462	Automatic slack	2	1 1/2"-28 spline, 6" straight arm - Bendix replacement
	05-562	Automatic slack	2	1 1/2"-28 spline, 6" straight arm - Crewson replacement
	05-762	Automatic slack	2	1 1/2"-28 spline, 6" straight arm - Gunite replacement
	05-662	Automatic slack	2	1 1/2"-28 spline, 6" straight arm - Haldex replacement
05-362	Automatic slack	2	1 1/2"-28 spline, 6" straight arm - Meritor replacement	
8	—	Axle nut assembly	2	See 213 catalog



# Trailer axle - Integra series WC axle

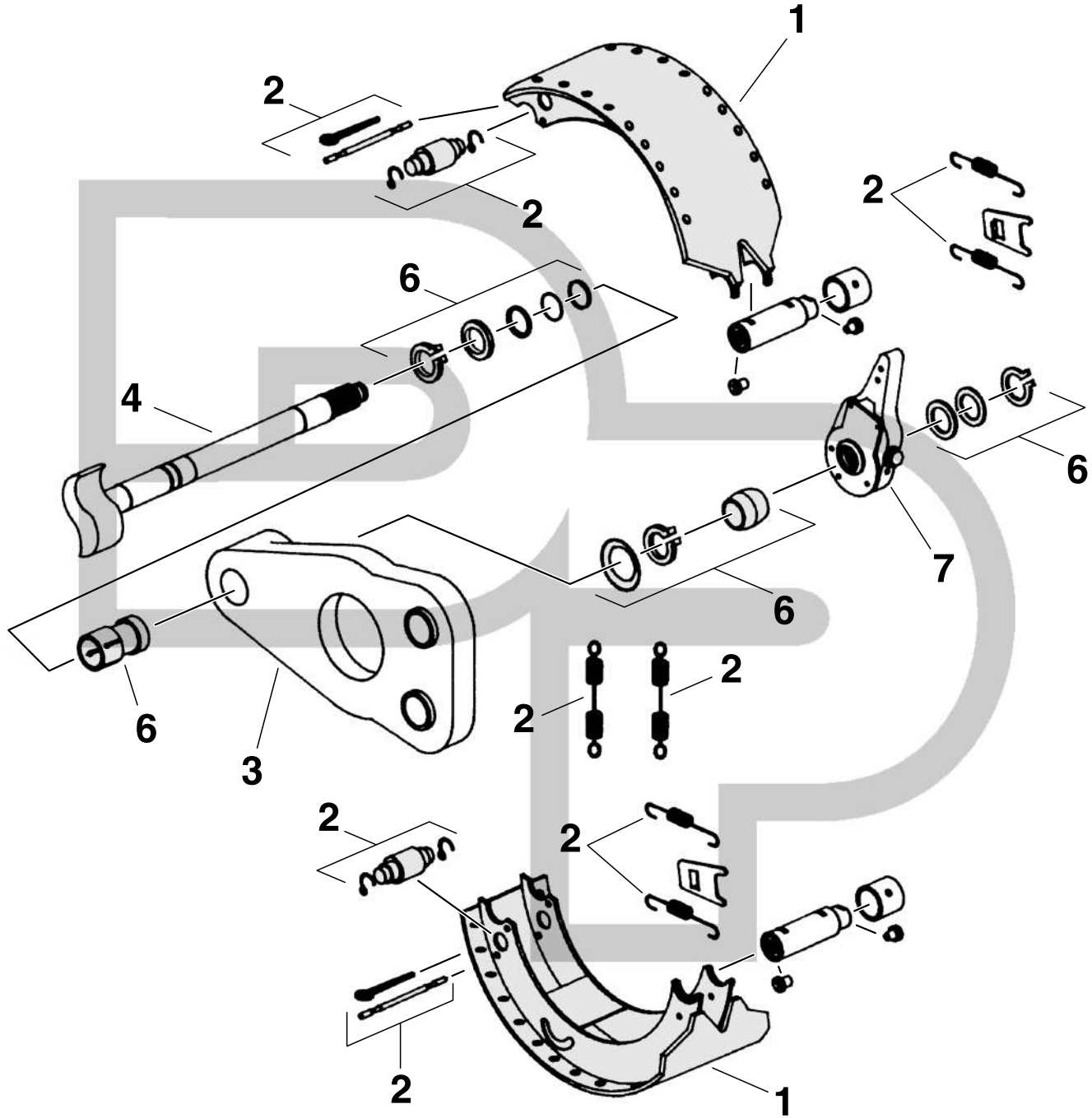
# 16 1/2" Watson

Schematics

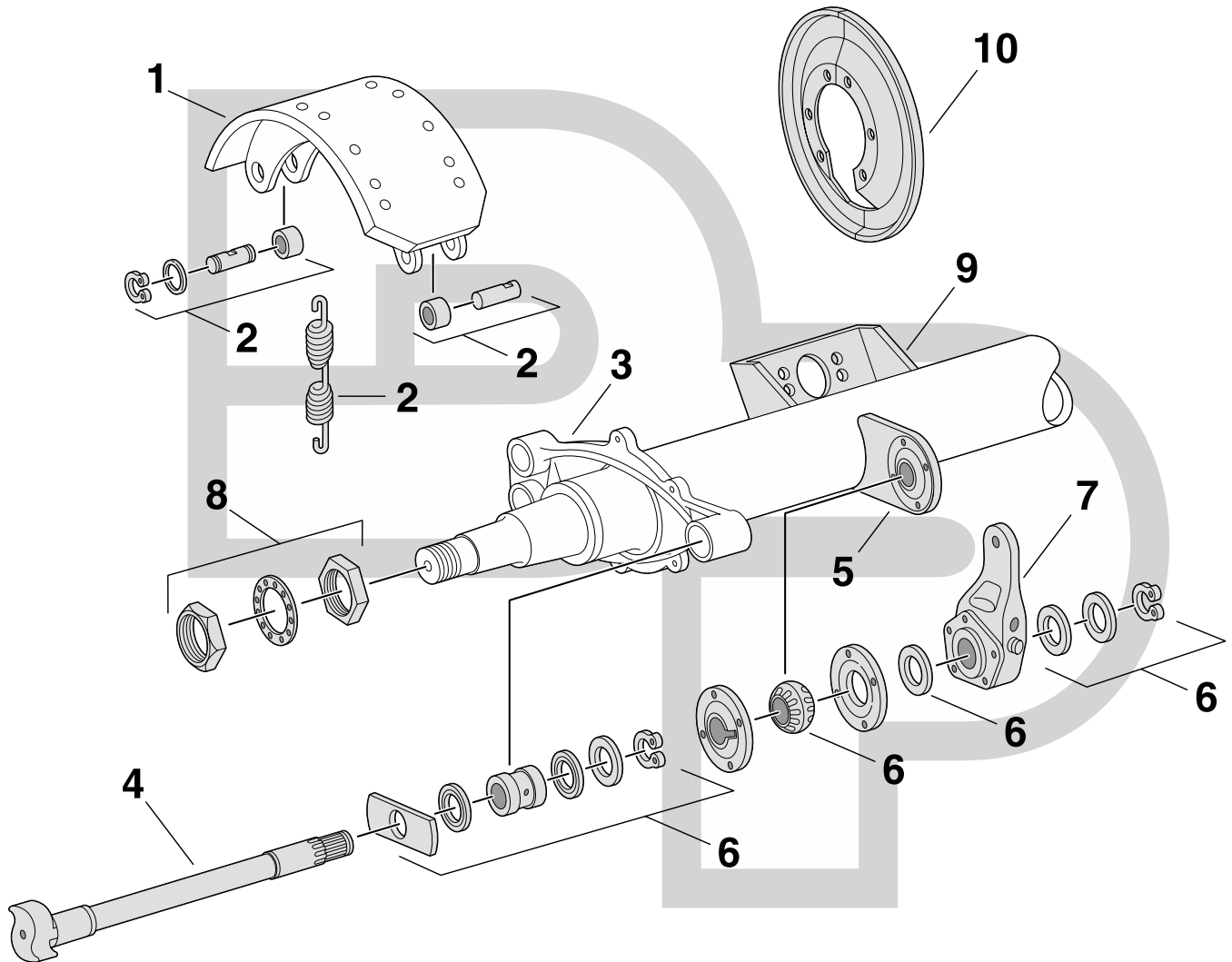
Key No.	Part Number	Description	No. Req.	Comments
1	4707QP	7" Unlined brake shoe	4	4707 brake block - 4707QP shoe available lined only
	20E4707QP	7" New lined shoe	4	20k economy grade, Marathon MV20
	SB20E4707QP	New lined shoebox	2	(2) 20E4707QP shoes & (1) 4515Q30 kit
	20M4707QP	7" New lined shoe	4	20k medium grade, Marathon UB
	SB20M4707QP	New lined shoebox	2	(2) 20M4707QP shoes & (1) 4515Q30 kit
	21P4707QP	7" New lined shoe	4	21k premium grade, Marathon HS20
	SB21P4707QP	New lined shoebox	2	(2) 21P4707QP shoes & (1) 4515Q30 kit
	23E4707QP	7" New lined shoe	4	23k economy grade, Marathon MV23
	SB23E4707QP	New lined shoebox	2	(2) 23E4707QP shoes & (1) 4515Q30 kit
	23F4707QP	7" New lined shoe	4	23k fleet grade, Marathon FS23
	SB23F4707QP	New lined shoebox	2	(2) 23F4707QP shoes & (1) 4515Q30 kit
	23M4707QP	7" New lined shoe	4	23k medium grade, Marathon FLOE
	SB23M4707QP	New lined shoebox	2	(2) 23M4707QP shoes & (1) 4515Q30 kit
	23P4707QP	7" New lined shoe	4	23k premium grade, Marathon HS
	SB23P4707QP	New lined shoebox	2	(2) 23P4707QP shoes & (1) 4515Q30 kit
	23S4707QP	7" New lined shoe	4	23k semi-met combo, Marathon MBC
	SB23S4707QP	New lined shoebox	2	(2) 23S4707QP shoes & (1) 4515Q30 kit
	21CV4707QP	7" New lined shoe	4	21k commercial vehicle grade, Dayton Parts CV21
	SB21CV4707QP	New lined shoebox	2	(2) 21CV4707QP shoes & (1) 4515Q30 kit
	23CV4707QP	7" New lined shoe	4	23k commercial vehicle grade, Dayton Parts CV23
	SB23CV4707QP	New lined shoebox	2	(2) 23CV4707QP shoes & (1) 4515Q30 kit
23DS4707QP	7" New lined shoe	4	23k standard grade, Dayton Parts DS23	
SB23DS4707QP	New lined shoebox	2	(2) 23DS4707QP shoes & (1) 4515Q30 kit	
23DP4707QP	7" New lined shoe	4	23k premium grade, Dayton Parts DP23	
SB23DP4707QP	New lined shoebox	2	(2) 23DP4707QP shoes & (1) 4515Q30 kit	
2	08-108830	OE Equivalent brake kit	2	1 1/4" roller - heavy duty return spring
	4515Q30	Cost-Plus brake kit	2	1 1/4" roller - heavy duty return spring
3	◆	Spider	2	Not available
4	Chart	Camshaft	2	1 1/2" spider journal, 1 1/2"-28 spline, see cam section 16 1/2" Watson MG50
5	SP	Camshaft support bracket	2	Special order part
6	03-144	Camshaft tube kit	2	Cam tube w/square head plate, wheel kit only
7	05-237	Manual slack	2	1 1/2"-28 spline, 5 1/2" straight arm
	05-263	Manual slack - HD	2	1 1/2"-28 spline, 5 1/2" straight arm
	05-463	Automatic slack	2	1 1/2"-28 spline, 5 1/2" straight arm - Bendix replacement
	05-563	Automatic slack	2	1 1/2"-28 spline, 5 1/2" straight arm - Crewson replacement
	05-763	Automatic slack	2	1 1/2"-28 spline, 5 1/2" straight arm - Gunite replacement
	05-363	Automatic slack	2	1 1/2"-28 spline, 5 1/2" straight arm - Meritor replacement
	05-238	Manual slack	2	1 1/2"-28 spline, 6" straight arm
	05-262	Manual slack - HD	2	1 1/2"-28 spline, 6" straight arm
	05-462	Automatic slack	2	1 1/2"-28 spline, 6" straight arm - Bendix replacement
	05-562	Automatic slack	2	1 1/2"-28 spline, 6" straight arm - Crewson replacement
	05-762	Automatic slack	2	1 1/2"-28 spline, 6" straight arm - Gunite replacement
	05-662	Automatic slack	2	1 1/2"-28 spline, 6" straight arm - Haldex replacement
	05-362	Automatic slack	2	1 1/2"-28 spline, 6" straight arm - Meritor replacement
8	—	Axle nut assembly	2	See 213 catalog



Schematics

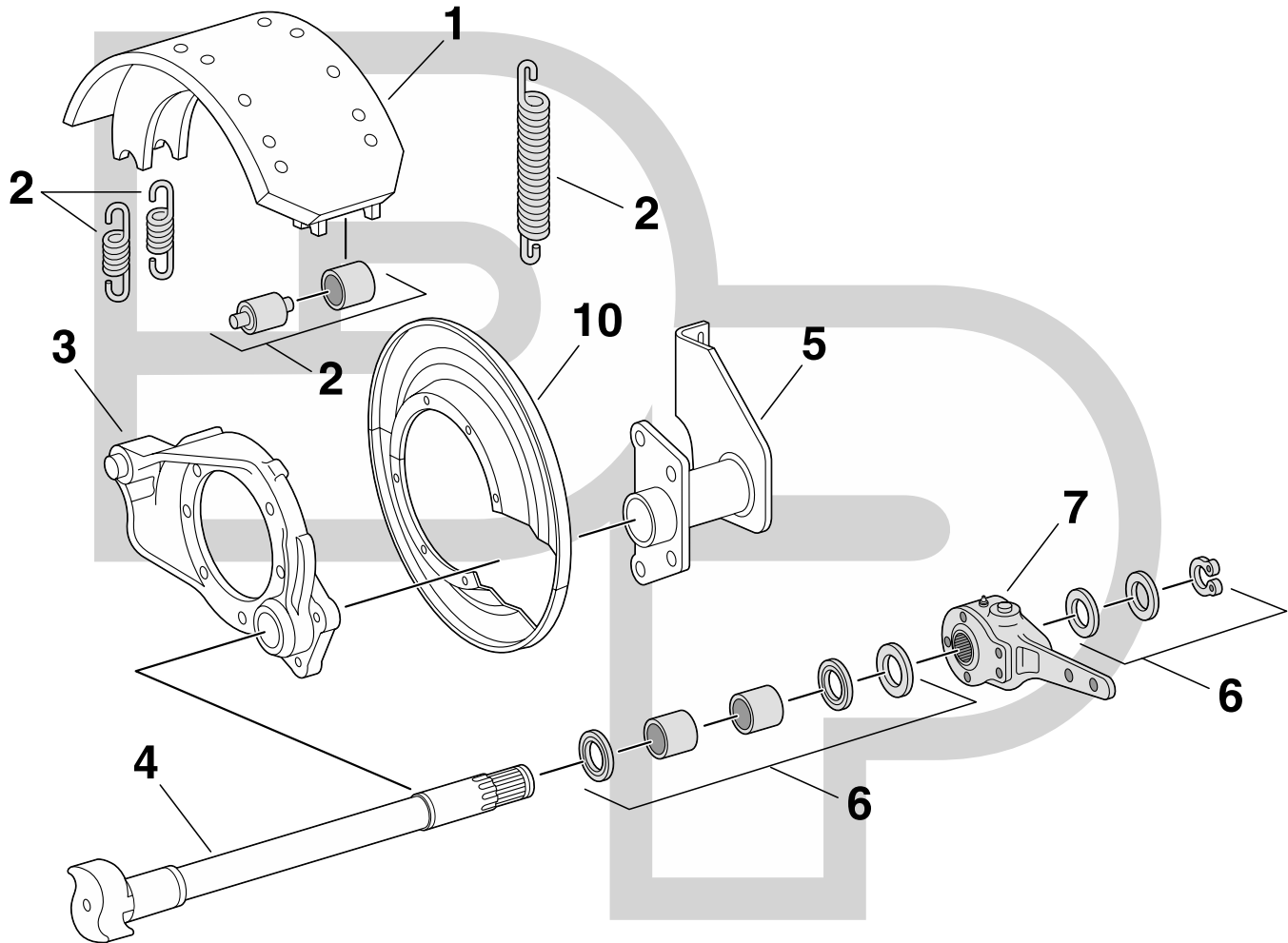


Key No.	Part Number	Description	No. Req.	Comments
1	1477BPW 23DP1477BPW SB23DP1477BPW	180mm Unlined brake shoe 180mm New lined shoe New lined shoebox	4 4 2	1477 brake block - 1477BPW shoe available lined only 23k premium grade, Dayton Parts DP23 (2) 23DP1477BPW shoes & (1) 08-115015 kit
2	08-115015	OE Equivalent brake kit	2	1 2½/32" rollers - no anchor pins or bushings
3	◆	Spider	2	Not available
4	◆	Camshaft	2	Not available
5	◆	Camshaft support bracket	2	Not available, Not Shown
6	08-138000	Camshaft kit	1	Bronze spider bushing, sintered metal support bushing w/retainer plates
7	◆	Auto slack	2	Not available
8	—	Axle nut assembly	2	Not available, Not Shown



Key No.	Part Number	Description	No. Req.	Comments
1	◆	7" Unlined brake shoe	4	4284 brake block - FT shoe no longer available
2	08-109560	OE Equivalent brake kit	2	1 1/2" roller - heavy duty return spring
3	◆	Spider	2	Weld on spider not available
4	Chart	Camshaft	2	1 1/2" spider journal, 1 1/2"-28 spline, see cam section 18" Dana MG58
5	03-114	Camshaft support bracket	2	Spherical support w/03-208 support bushing - 4 bolt retainer plate
6	08-132110	Camshaft kit	1	Sintered metal spider bushing w/03-208 support bushing - 4 bolt retainer plate
7	05-262	Manual slack - HD	2	1 1/2"-28 spline, 6" straight arm
	05-462	Automatic slack	2	1 1/2"-28 spline, 6" straight arm - Bendix replacement
	05-562	Automatic slack	2	1 1/2"-28 spline, 6" straight arm - Crewson replacement
	05-762	Automatic slack	2	1 1/2"-28 spline, 6" straight arm - Gunitite replacement
	05-662	Automatic slack	2	1 1/2"-28 spline, 6" straight arm - Haldex replacement
	05-362	Automatic slack	2	1 1/2"-28 spline, 6" straight arm - Meritor replacement
8	—	Axle nut assembly	2	See 213 catalog
9	Chart	Air chamber bracket	2	See air chamber bracket section
10	02-507HD	Dust shield	2	Bolts to the spider

## Schematics

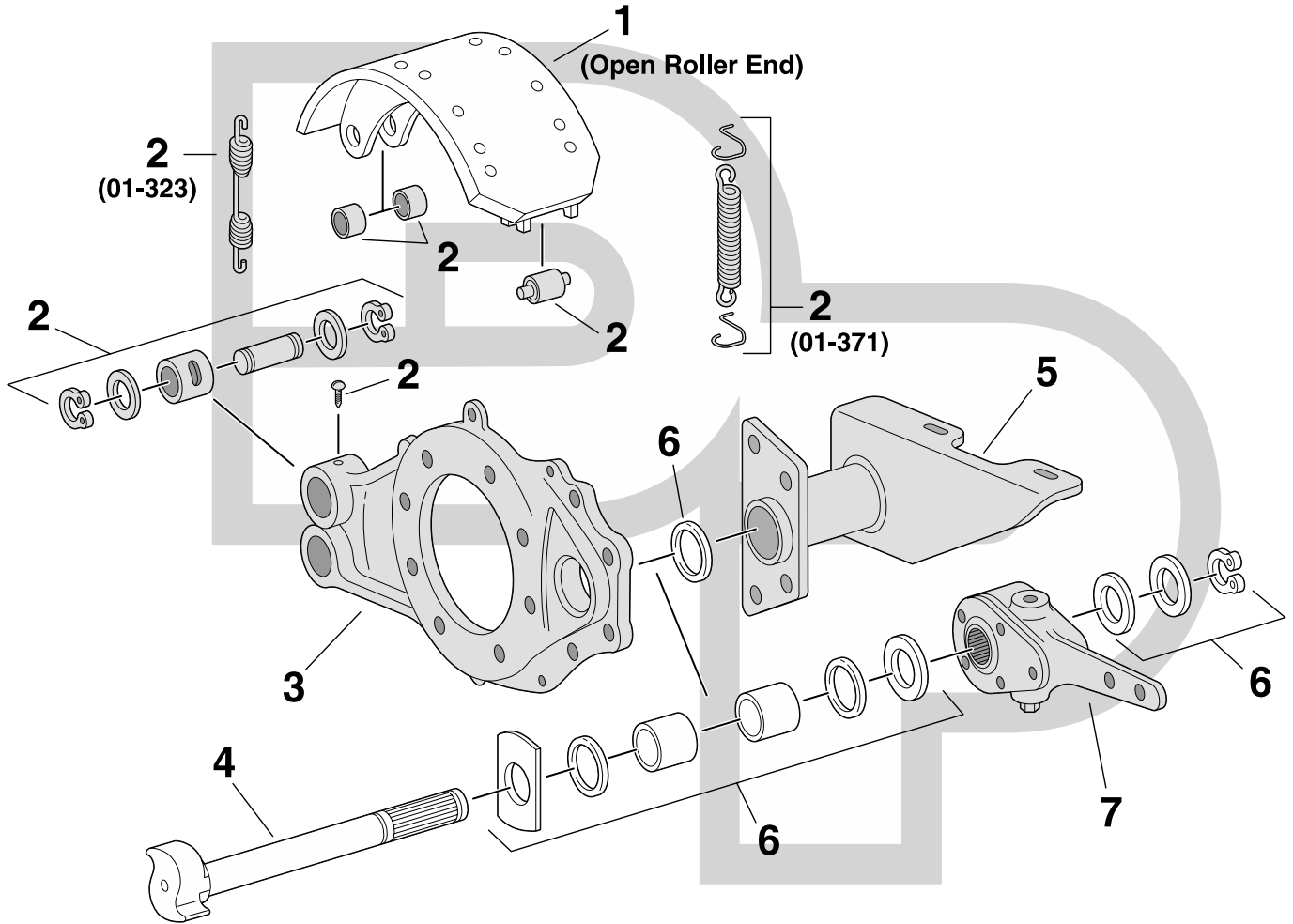


Key No.	Part Number	Description	No. Req.	Comments
1	◆	7" Unlined brake shoe	4	4527B brake block - EB cast shoe no longer available
2	08-109600	OE Equivalent brake kit	2	1 5/8" roller
3	◆	Spider	2	Not available
4	Chart	Camshaft	2	1 1/2" spider journal, 1 1/2"-10 spline - MG37 cams no longer available, replace w/MG39 cams both wheel ends per axle
5	◆	Camshaft support tube	2	Not available
6	08-135111	Camshaft kit	1	Sintered metal spider bushing - MG39 cam
7	05-261	Manual slack - HD	2	1 1/2"-10 spline, 5 1/2" straight arm
	05-461	Automatic slack	2	1 1/2"-10 spline, 5 1/2" straight arm - Bendix replacement
	05-561	Automatic slack	2	1 1/2"-10 spline, 5 1/2" straight arm - Crewson replacement
	05-761	Automatic slack	2	1 1/2"-10 spline, 5 1/2" straight arm - Gunite replacement
	05-361	Automatic slack	2	1 1/2"-10 spline, 5 1/2" straight arm - Meritor replacement
8	—	Axle nut assembly	2	See 213 catalog, Not Shown
10	◆	Dust shield	2	Not available

# Drive axle - P series cast shoe

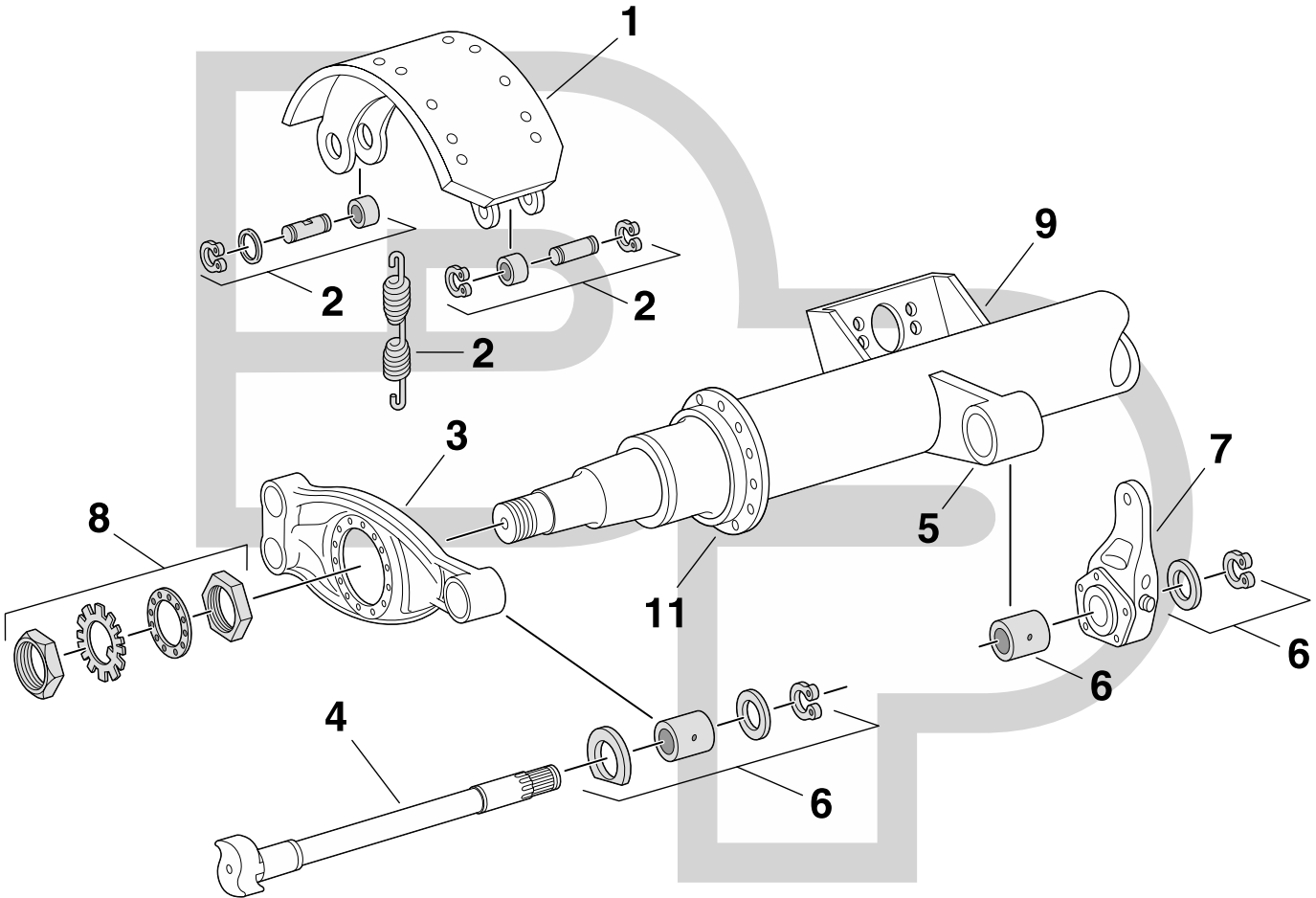
# 18" Rockwell

Schematics



Key No.	Part Number	Description	No. Req.	Comments
1	◆ 4471BD-MBS 01-617	7" Unlined brake shoe Marathon MBS Brake block bolt Assy	4 1 128	4471B brake block, P cast shoe no longer available 23k semi-metallic - (1) box lines (4) shoes 1/4"-28 x 1" brass plated bolts w/keps lock nuts (100/box)
2	08-109800 08-109830	OE Equivalent brake kit OE Equivalent brake kit	2 2	1 5/8" roller - 01-323 return spring - open roller end shoe 1 5/8" roller - 01-371 return spring - open roller end shoe
3	SP	Spider	2	Special order part
4	Chart	Camshaft	2	1 1/2" spider journal, 1 1/2"-10 spline - MG45 cams no longer available, replace w/MG48 cams & 28 spline slacks both wheel ends per axle
5	SP	Camshaft support tube	2	Special order part
6	08-131810	Camshaft kit	1	Sintered metal spider bushing - MG48 cam
7	05-263 05-463 05-563 05-763 05-363	Manual slack - HD Automatic slack Automatic slack Automatic slack Automatic slack	2 2 2 2 2	1 1/2"-28 spline, 5 1/2" straight arm - MG48 cam 1 1/2"-28 spline, 5 1/2" straight arm - Bendix replacement - MG48 cam 1 1/2"-28 spline, 5 1/2" straight arm - Crewson replacement - MG48 cam 1 1/2"-28 spline, 5 1/2" straight arm - Gunite replacement - MG48 cam 1 1/2"-28 spline, 5 1/2" straight arm - Meritor replacement - MG48 cam
8	—	Axle nut assembly	2	See 213 catalog, Not Shown

Schematics



Key No.	Part Number	Description	No. Req.	Comments
1	◆	8" Unlined brake shoe	4	4350A brake block - FT cast shoe no longer available
2	08-108600	OE Equivalent brake kit	2	1 3/4" roller - heavy duty return spring
3	◆	Spider	2	Not available
4	◆	Camshaft	2	1 3/4" spider journal, 1 3/4"-10 spline - MG68 cams no longer available
5	◆	Camshaft support bracket	2	Rigid support no longer available
6	08-132200	Camshaft kit	1	Bronze bushings
7	◆	Manual slack	2	Not available
8	—	Axle nut assembly	2	See 213 catalog
9	◆	Air chamber bracket	2	Not available
11	◆	Axle flange	2	Not available



# 12 1/4" Dana

# Brake Shoes

Brake Shoes

## 12 1/4" Dana



**FC series**

Part No.	FMSI No.	Rivet Size	OEM Number	Brake Kit (page no.)	Camshaft Master Group (page no.)	Remarks
4536FC 5 1/2"	4536E	20-8	M12WS172X	08-105700 1 1/2" roller (171)	MG63	1" anchor pin holes
					1 1/2" spider journal, 1 1/2"-10 spline (240)	
4692FC 7 1/2"	4692	10-8	M12WS149X	08-105700 1 1/2" roller (171)	MG64	1" anchor pin holes
					1 1/2" spider journal, 1 1/2"-28 spline (241)	
4692FC 7 1/2"	4692	10-8	M12WS149X	08-105700 1 1/2" roller (171)	MG63	1" anchor pin holes
					1 1/2" spider journal, 1 1/2"-10 spline (240)	
4692FC 7 1/2"	4692	10-8	M12WS149X	08-105700 1 1/2" roller (171)	MG64	1" anchor pin holes
					1 1/2" spider journal, 1 1/2"-28 spline (241)	



**FC-111 series**

Part No.	FMSI No.	Rivet Size	OEM Number	Brake Kit (page no.)	Camshaft Master Group (page no.)	Remarks
4661FC 5"	4661E	20-8	M12WS173X	08-104900 1 1/2" roller (172)	MG54	1 1/4" anchor pin holes - MG53 cams no longer available, replace w/MG54 cams both wheel ends per axle
4661FC 5"	4661E	20-8	M12WS173X	08-104900 1 1/2" roller (172)	1 5/8" spider journal, 1 1/2"-28 spline (242)	
4536FC 5 1/2"	4536E	20-8	M12WS172X	08-104900 1 1/2" roller (172)	MG54	1 1/4" anchor pin holes - MG53 cams no longer available, replace w/MG54 cams both wheel ends per axle
4536FC 5 1/2"	4536E	20-8	M12WS172X	08-104900 1 1/2" roller (172)	1 5/8" spider journal, 1 1/2"-28 spline (242)	
4692FC 7 1/2"	4692	10-8	M12WS166X	08-104900 1 1/2" roller (172)	MG54	1 1/4" anchor pin holes - MG53 cams no longer available, replace w/MG54 cams both wheel ends per axle
4692FC 7 1/2"	4692	10-8	M12WS166X	08-104900 1 1/2" roller (172)	1 5/8" spider journal, 1 1/2"-28 spline (242)	



**FT series - bolt-on spider**

Part No.	FMSI No.	Rivet Size	OEM Number	Brake Kit (page no.)	Camshaft Master Group (page no.)	Remarks
4536FT 5 1/2"	4536B	20-8	M12WS116, M12WS124, 201142	08-107500 1 1/2" roller, bolt-on spider (173)	MG63	MG61 cams no longer available, replace w/MG63 cams both wheel ends per axle
4536FT 5 1/2"	4536B	20-8	M12WS116, M12WS124, 201142	08-107500 1 1/2" roller, bolt-on spider (173)	1 1/2" spider journal, 1 1/2"-10 spline (240)	
4591FT 7 1/2"	4591	20-8	M12WS127X, 201140	08-107500 1 1/2" roller, bolt-on spider (173)	MG63	MG61 cams no longer available, replace w/MG63 cams both wheel ends per axle
4591FT 7 1/2"	4591	20-8	M12WS127X, 201140	08-107500 1 1/2" roller, bolt-on spider (173)	1 1/2" spider journal, 1 1/2"-10 spline (240)	

# Brake Shoes

# 12 1/4" Dana / Dexter / Freuhauf

Brake Shoes

## 12 1/4" Dana



**FT series - weld-on spider**

Part No.	FMSI No.	Rivet Size	OEM Number	Brake Kit (page no.)	Camshaft Master Group (page no.)	Remarks
4536FT 5 1/2"	4536B	20-8	M12WS116, M12WS124, 201142	08-107400 1 1/2" roller, weld-on spider (174)	MG63 1 1/2" spider journal, 1 1/2"-10 spline (240)	MG61 cams no longer available, replace w/MG63 cams both wheel ends per axle
					MG64 1 1/2" spider journal, 1 1/2"-28 spline (241)	
4591FT 7 1/2"	4591	20-8	M12WS127X, 201140	08-107400 1 1/2" roller, weld-on spider (174)	MG63 1 1/2" spider journal, 1 1/2"-10 spline (240)	MG61 cams no longer available, replace w/MG63 cams both wheel ends per axle
					MG64 1 1/2" spider journal, 1 1/2"-28 spline (241)	

## 12 1/4" Dexter



**PQ series**

Part No.	FMSI No.	Rivet Size	OEM Number	Brake Kit (page no.)	Camshaft Master Group (page no.)	Remarks
4700PQ 4"	4700	20-8	40-321	08-104700 1 1/2" roller (175)	MG67 1 1/2" spider journal, 1 1/2"-28 spline (243)	PQ shoe not interchangeable w/FC or Q shoe
4661PQ 5"	4661C	20-8	40-322	08-104700 1 1/2" roller (175)	MG67 1 1/2" spider journal, 1 1/2"-28 spline (243)	PQ shoe not interchangeable w/FC or Q shoe
4591PQ 7 1/2"	4591	20-8	40-320	08-104700 1 1/2" roller (175)	MG67 1 1/2" spider journal, 1 1/2"-28 spline (243)	PQ shoe not interchangeable w/FC or Q shoe

## 12 1/4" Fruehauf



**F series**

Part No.	FMSI No.	Rivet Size	OEM Number	Brake Kit (page no.)	Camshaft Master Group (page no.)	Remarks
4649F 8"	4649	20-8	ACD-2227-1	08-107700 1" roller (176)	MG83 1 5/8" spider journal, 1 5/8"-37 spline (244)	



**12 1/4" Hendrickson / Rockwell  
325mm Watson  
15" Eaton**

**Brake Shoes**

Brake Shoes

**12 1/4" Hendrickson**



**HXS series**

Part No.	FMSI No.	Rivet Size	OEM Number	Brake Kit (page no.)	Camshaft Master Group (page no.)	Remarks
4692HXS 7 1/2"	4692	10-8	S-31962-3	08-105900 1 1/2" roller (177)	MG52 1 5/8" spider journal, 1 1/2"-28 spline (245)	Not interchangeable w/4692FC shoe

**12 1/4" Rockwell**



**Q series**

Part No.	FMSI No.	Rivet Size	OEM Number	Brake Kit (page no.)	Camshaft Master Group (page no.)	Remarks
4670Q 7 1/2"	4670	10-9	A-3222-S-1527	08-109300 1 1/2" roller (178)	MG95 1 5/8" spider journal, 1 1/2"-28 spline (246)	Q shoe not interchangeable w/PQ or FC shoe

**325 mm Watson**



**SL/STL series**

Part No.	FMSI No.	Rivet Size	OEM Number	Brake Kit (page no.)	Camshaft Master Group (page no.)	Remarks
6042SL 4"	—	—	A3222-T-2126	08-105600 1 1/4" roller (179)	—	

**15" Eaton**



**EB series**

Part No.	FMSI No.	Rivet Size	OEM Number	Brake Kit (page no.)	Camshaft Master Group (page no.)	Remarks
1308E 4"	1308TT	10-7	1005840	08-111300 1 1/4" roller (181)	MG16 1 1/4" spider journal, 1 1/4"-10 spline (247)	MG15 cams no longer available, replace w/MG16 cams both wheel ends per axle

# Brake Shoes

# 15" Eaton / Hendrickson

Brake Shoes

## 15" Eaton



**ES series**

Part No.	FMSI No.	Rivet Size	OEM Number	Brake Kit (page no.)	Camshaft Master Group (page no.)	Remarks
1443ES 4"	1443TT	10-8	807685	08-111300 1 1/4" roller (181)	MG16 1 1/4" spider journal, 1 1/4"-10 spline (247)	1308E & 1443ES shoes use the same brake kit



**ES-II series**

Part No.	FMSI No.	Rivet Size	OEM Number	Brake Kit (page no.)	Camshaft Master Group (page no.)	Remarks
4729E2 4"	4729	10-9	974584	08-114700 1 1/4" roller (182)	—	Double web single anchor pin brake shoe



**ES-II series - reduced envelope**

Part No.	FMSI No.	Rivet Size	OEM Number	Brake Kit (page no.)	Camshaft Master Group (page no.)	Remarks
4717E2 8 5/8"	4717	10-9	819718	08-104400 1 1/4" roller (183)	MG39 1 1/2" spider journal, 1 1/2"-10 spline (248)	Steer (2) 01-340 return springs w/02-362 return spring collar in place of cam head washer
				08-104430 1 1/4" roller (183)	MG39 1 1/2" spider journal, 1 1/2"-10 spline (248)	Drive (1) 01-347 return spring

## 15" Hendrickson



**HXS series**

Part No.	FMSI No.	Rivet Size	OEM Number	Brake Kit (page no.)	Camshaft Master Group (page no.)	Remarks
4710QP 8 5/8"	4710	10-9	S-27808-1	08-116000 1 1/4" roller (184)	MG25 1 1/2" spider journal, 1 1/2"-28 spline (249)	INTRAAX axle, QP shoe not interchangeable w/IMT shoe
					MG76 1 1/2" spider journal, 1 1/2"-28 spline (250)	TRLAXLE axle, QP shoe not interchangeable w/IMT shoe

# 15" Rockwell

# Brake Shoes

Brake Shoes

## 15" Rockwell



**Q series**

Part No.	FMSI No.	Rivet Size	OEM Number	Brake Kit (page no.)	Camshaft Master Group (page no.)	Remarks
1308Q 4"	1308TT	10-7	A-3222-F-1982	08-111100 1 1/4" roller (186)	MG21 1 1/4" spider journal, 1 1/4"-24 spline	MG21 cams no longer available



**Q-Plus series**

Part No.	FMSI No.	Rivet Size	OEM Number	Brake Kit (page no.)	Camshaft Master Group (page no.)	Remarks
4702QP 4"	4702	10-9	A-3222-M-2223	08-116000 1 1/4" roller (187)	MG26 1 1/2" spider journal, 1 1/2"-28 spline (252)	1st design shoe (web# A-3222-B-2108) no longer available, replace w/4702QP shoes both wheel ends per axle
4703QP 5"	4703	10-9	A-3222-D-2110	08-116000 1 1/4" roller (187)	MG26 1 1/2" spider journal, 1 1/2"-28 spline (252)	LX/MX 500, MG29 cams no longer available, replace w/MG26 cams both wheel ends per axle, use 08-131810 cam kit
					MG26 1 5/8" spider journal, 1 1/2"-28 spline (252)	
4704QP 6"	4704	10-9	A-3222-E-2111	08-116000 1 1/4" roller (187)	MG26 1 1/2" spider journal, 1 1/2"-28 spline (252)	Steer or Drive
4710QP 8 5/8"	4710	10-9	A-3222-A-2159	08-116000 1 1/4" roller (187)	MG26 1 1/2" spider journal, 1 1/2"-28 spline (252)	Drive
					MG90 1 5/8" spider journal, 1 1/2"-28 spline (253)	Trailer, QP shoe not interchangeable w/IMT shoe



**T series**

Part No.	FMSI No.	Rivet Size	OEM Number	Brake Kit (page no.)	Camshaft Master Group (page no.)	Remarks
1308T 4"	1308TT	10-7	A-3222-F-1072	08-110700 1 1/4" roller (188)	MG20 1 1/4" spider journal, 1 1/4"-10 spline	MG20 cams no longer available, cannot convert 1308T shoes to 1308Q shoes

# Brake Shoes

16 1/2" Dana

Brake Shoes

## 16 1/2" Dana



**FC series**

Part No.	FMSI No.	Rivet Size	OEM Number	Brake Kit (page no.)	Camshaft Master Group (page no.)	Remarks
4515Q 7"	4515E	10-8	M16WS103X	08-108830 1 1/4" roller, HD return spring (189)	MG57 1 1/2" spider journal, 1 1/2"-10 spline (255)	
					MG58 1 1/2" spider journal, 1 1/2"-28 spline (254)	



**Xtra-Life II series**

Part No.	FMSI No.	Rivet Size	OEM Number	Brake Kit (page no.)	Camshaft Master Group (page no.)	Remarks
4707QP 7"	4707	10-9	4707R	08-108830 1 1/4" roller, HD return spring (189)	MG59 1 1/2" spider journal, 1 1/2"-10 spline (256)	Xtra-Life
					MG60 1 1/2" spider journal, 1 1/2"-28 spline (257)	Xtra-Life
					MG55 1 5/8" spider journal, 1 1/2"-10 spline (258)	Xtra-Life II
					MG56 1 5/8" spider journal, 1 1/2"-28 spline (259)	Xtra-Life II

# 16 1/2" Eaton / Fruehauf

# Brake Shoes

Brake Shoes

## 16 1/2" Eaton



### ES-II series

Part No.	FMSI No.	Rivet Size	OEM Number	Brake Kit (page no.)	Camshaft Master Group (page no.)	Remarks
4719E2 5"	4719	10-9	819705	08-114900 1 1/4" roller (192)	MG39 1 1/2" spider journal, 1 1/2"-10 spline (260)	
4725E2 6"	4725	10-9	819706	08-114900 1 1/4" roller (192)	MG39 1 1/2" spider journal, 1 1/2"-10 spline (260)	
4709E2 7"	4709	10-9	819707	08-114900 1 1/4" roller (192)	MG39 1 1/2" spider journal, 1 1/2"-10 spline (260)	Drive
					MG74 1 5/8" spider journal, 1 1/2"-28 spline (261)	Trailer
4726E2 8 5/8"	4726	10-9	819708	08-114900 1 1/4" roller (192)	MG39 1 1/2" spider journal, 1 1/2"-10 spline (260)	Drive
					MG74 1 5/8" spider journal, 1 1/2"-28 spline (261)	Trailer

## 16 1/2" Fruehauf



### XEM series

Part No.	FMSI No.	Rivet Size	OEM Number	Brake Kit (page no.)	Camshaft Master Group (page no.)	Remarks
4515X 7"	4515E	10-8	ACF-3379-1	08-109130 1 1/4" roller, HD return spring (193)	MG57 1 1/2" spider journal, 1 1/2"-10 spline (263)	TKF axle
					MG81 1 5/8" spider journal, 1 5/8"-37 spline (262)	Propar axle
4551XL 8 5/8"	4551E	10-8	ACF-3380-1	08-109130 1 1/4" roller, HD return spring (193)	MG81 1 5/8" spider journal, 1 5/8"-37 spline (262)	Offset shoe - LH, use (1) 4551XL & (1) 4551XR per wheel
4551XR 8 5/8"	4551E	10-8	ACF-3380-2	08-109130 1 1/4" roller, HD return spring (193)	MG81 1 5/8" spider journal, 1 5/8"-37 spline (262)	Offset shoe - RH, use (1) 4551XL & (1) 4551XR per wheel

# Brake Shoes

# 16 1/2" Hendrickson / Rockwell

Brake Shoes

## 16 1/2" Hendrickson



### HXS Series

Part No.	FMSI No.	Rivet Size	OEM Number	Brake Kit (page no.)	Camshaft Master Group (page no.)	Remarks
4707QP 7"	4707	10-9	—	08-108830 1 1/4" roller, HD return spring (194)	MG85 1 1/2" spider journal, 1 1/2"-10 spline (264)	Intraax
					MG87 1 1/2" spider journal, 1 1/2"-28 spline (265)	Intraax
					MG56 1 1/2" spider journal, 1 1/2"-28 spline (267)	TRLAXLE
4711QP 8 5/8"	4711	10-9	—	08-108830 1 1/4" roller, HD return spring (194)	MG85 1 1/2" spider journal, 1 1/2"-10 spline (264)	Intraax
					MG87 1 1/2" spider journal, 1 1/2"-28 spline (265)	Intraax
					MG56 1 1/2" spider journal, 1 1/2"-28 spline (267)	TRLAXLE



### Standard series

Part No.	FMSI No.	Rivet Size	OEM Number	Brake Kit (page no.)	Camshaft Master Group (page no.)	Remarks
4515Q 7"	4515E	10-8	—	08-108830 1 1/4" roller, HD return spring (194)	MG86 1 1/2" spider journal, 1 1/2"-28 spline (268)	Intraax

## 16 1/2" Rockwell



### Cast-Plus series

Part No.	FMSI No.	Rivet Size	OEM Number	Brake Kit (page no.)	Camshaft Master Group (page no.)	Remarks
4715CP 7"	4715A	10-10	A-3222-H-2296	08-126130 1 1/4" roller, 01-3751 return spring (195)	MG48 1 1/2" spider journal, 1 1/2"-28 spline (269)	Steer
4728CP 8 5/8"	4728	10-10	A-3222-F-2294	08-126130 1 1/4" roller, 01-3751 return spring (195)	MG48 1 1/2" spider journal, 1 1/2"-28 spline (269)	Drive

# 16 1/2" Rockwell

# Brake Shoes

Brake Shoes

## 16 1/2" Rockwell



**P series - cast shoe**

Part No.	FMSI No.	Rivet Size	OEM Number	Brake Kit (page no.)	Camshaft Master Group (page no.)	Remarks
4515PC 7"	4515E	10-10	A25-3222-D-1954 A40-3222-X-1584	08-109800 1 5/8" roller, 01-323 return spring (196)	MG48 1 1/2" spider journal, 1 1/2"-10 spline (269)	MG45 cams no longer available, replace w/MG48 cams & 28 spline slacks both wheel ends per axle
				08-109830 1 5/8" roller, 01-371 return spring (196)	MG48 1 1/2" spider journal, 1 1/2"-10 spline (269)	MG45 cams no longer available, replace w/MG48 cams & 28 spline slacks both wheel ends per axle



**Q series**

Part No.	FMSI No.	Rivet Size	OEM Number	Brake Kit (page no.)	Camshaft Master Group (page no.)	Remarks
4515Q 7"	4515E	10-8	A-3222-S-1293	08-108830 1 1/4" roller, HD return spring (198)	MG57 1 1/2" spider journal, 1 1/2"-10 spline (271)	Trailer R axle 1969-74
					MG89 1 5/8" spider journal, 1 1/2"-28 spline (272)	Trailer R axle 1975-85 & T axle 1975-90, MG88 cams no longer available, replace w/M89 cams & 28 spline slacks both wheel ends per axle
4551Q 8 5/8"	4551B	10-8	A-3222-T-1346	08-108830 1 1/4" roller, HD return spring (198)	MG89 1 5/8" spider journal, 1 1/2"-28 spline (272)	Trailer R axle 1975-85 & T axle 1975-90, MG88 cams no longer available, replace w/M89 cams & 28 spline slacks both wheel ends per axle



**Q-Plus series**

Part No.	FMSI No.	Rivet Size	OEM Number	Brake Kit (page no.)	Camshaft Master Group (page no.)	Remarks
4720QP 5"	4720	10-9	A-3222-Z-2288	08-111630 1 1/4" roller, 01-3751 return spring (197)	MG48 1 1/2" spider journal, 1 1/2"-28 spline (270)	Steer
4715QP 6"	4715	10-9	A-3222-P-2200	08-111630 1 1/4" roller, 01-3751 return spring (197)	MG48 1 1/2" spider journal, 1 1/2"-28 spline (270)	Steer

# Brake Shoes

16 1/2" Rockwell / Watson  
420mm BPW

Brake Shoes

## 16 1/2" Rockwell



### Q-Plus series

Part No.	FMSI No.	Rivet Size	OEM Number	Brake Kit (page no.)	Camshaft Master Group (page no.)	Remarks
4715QP 6"	4715	10-9	A-3222-P-2200	08-108830 1 1/4" roller, HD return spring (198)	MG48 1 1/2" spider journal, 1 1/2"-28 spline (270)	Drive
4707QP 7"	4707	10-9	A-3222-D-2006	08-108830 1 1/4" roller, HD return spring (198)	MG48 1 1/2" spider journal, 1 1/2"-28 spline (270) MG93 1 5/8" spider journal, 1 1/2"-28 spline (273)	Drive Trailer
4718QP 8"	4718	10-9	A-3222-J-2272	08-108830 1 1/4" roller, HD return spring (198)	MG48 1 1/2" spider journal, 1 1/2"-28 spline (270) MG48 1 5/8" spider journal, 1 1/2"-28 spline (270)	Drive LX/MX 500, MG49 cams no longer available, replace w/MG48 cams both wheel ends per axle, use 08-131810 cam kit
4711QP 8 5/8"	4711	10-9	A-3222-K-2169	08-108830 1 1/4" roller, HD return spring (198)	MG48 1 1/2" spider journal, 1 1/2"-28 spline (270) MG93 1 5/8" spider journal, 1 1/2"-28 spline (273)	Drive Trailer

## 16 1/2" Watson



### Integra series

Part No.	FMSI No.	Rivet Size	OEM Number	Brake Kit (page no.)	Camshaft Master Group (page no.)	Remarks
4707QP 7"	4707	10-9	601501	08-108830 1 1/4" roller, HD return spring (199)	MG50 1 1/2" spider journal, 1 1/2"-28 spline (274)	

## 420mm BPW



### R9000 series

Part No.	FMSI No.	Rivet Size	OEM Number	Brake Kit (page no.)	Camshaft Master Group (page no.)	Remarks
1477BPW 180mm	1477	8mm	—	08-115015 42mm roller (201)	—	



# New Lined Brake Shoes

## New Lined Brake Shoes

Application	Unlined Shoe	DP Shoe Part No.	Lining Rate	Lining Type	DP Boxed Shoe Set	Set Contains	
						Shoe	Kit
12.25" x 4" Dexter PQ	4700PQ	<b>23M4700PQ</b>	23k Medium	Marathon FLOE	<b>SB23M4700PQ</b>	(2) 23M4700PQ	(1) 08-104700
12.25" x 5" Dana FC	4661FC	<b>23P4661FC</b>	23k Premium	Marathon HS	<b>SB23P4661FC</b>	(2) 23P4661FC	(1) 08-104900
12.25" x 5" Dexter PQ	4661PQ	<b>23P4661PQ</b>	23k Premium	Marathon HS	<b>SB23P4661PQ</b>	(2) 23P4661PQ	(1) 08-104700
12.25" x 5.5" Dana FC-111	4536FC	<b>23M4536FC</b>	23k Medium	Marathon FLOE	<b>SB23M4536FC</b>	(2) 23M4536FC	(1) 08-104900
12.25" x 5.5" Dana FC-111 - 1" Anchor Pin Holes	4536FC	<b>23M4536FC</b>	23k Medium	Marathon FLOE	<b>SB23M4536FCU</b>	(2) 23M4536FC	(1) 08-105700
12.25" x 5.5" Dana FT	4536FT	<b>23M4536FT</b>	23k Medium	Marathon FLOE	<b>SB23M4536FT</b>	(2) 23M4536FT	(1) 08-107400
12.25" x 5.5" Dana FT, bolt-on spider	4536FT	<b>23M4536FT</b>	23k Medium	Marathon FLOE	<b>SB23M4536FTCR</b>	(2) 23M4536FT	(1) 08-107500
12.25" x 7.5" Dana FC-111 - 1 1/4" Anchor Pin Holes	4692FC	<b>20M4692FC</b>	20k Medium	Marathon UB	<b>SB20M4692FC</b>	(2) 20M4692FC	(1) 08-104900
12.25" x 7.5" Dana FC-111 - 1" Anchor Pin Holes	4692FC	<b>20M4692FC</b>	20k Medium	Marathon UB	<b>SB20M4692FCU</b>	(2) 20M4692FC	(1) 08-105700
12.25" x 7.5" Dana FC-111 - 1 1/4" Anchor Pin Holes	4692FC	<b>21P4692FC</b>	21k Premium	Marathon HS20	<b>SB21P4692FC</b>	(2) 21P4692FC	(1) 08-104900
12.25" x 7.5" Dana FC-111 - 1" Anchor Pin Holes	4692FC	<b>21P4692FC</b>	21k Premium	Marathon HS20	<b>SB21P4692FCU</b>	(2) 21P4692FC	(1) 08-105700
12.25" x 7.5" Dana FC-111 - 1 1/4" Anchor Pin Holes	4692FC	<b>23M4692FC</b>	23k Medium	Marathon FLOE	<b>SB23M4692FC</b>	(2) 23M4692FC	(1) 08-104900
12.25" x 7.5" Dana FC-111 - 1" Anchor Pin Holes	4692FC	<b>23M4692FC</b>	23k Medium	Marathon FLOE	<b>SB23M4692FCU</b>	(2) 23M4692FC	(1) 08-105700
12.25" x 7.5" Dana FC-111 - 1 1/4" Anchor Pin Holes	4692FC	<b>23P4692FC</b>	23k Premium	Marathon HS	<b>SB23P4692FC</b>	(2) 23P4692FC	(1) 08-104900
12.25" x 7.5" Dana FC-111 - 1" Anchor Pin Holes	4692FC	<b>23P4692FC</b>	23k Premium	Marathon HS	<b>SB23P4692FCU</b>	(2) 23P4692FC	(1) 08-105700
12.25" x 7.5" Dana FT	4591FT	<b>20M4591FT</b>	20k Medium	Marathon UB	<b>SB20M4591FT</b>	(2) 20M4591FT	(1) 08-107400
12.25" x 7.5" Dana FT, bolt-on spider	4591FT	<b>20M4591FT</b>	20k Medium	Marathon UB	<b>SB20M4591FTCR</b>	(2) 20M4591FT	(1) 08-107500
12.25" x 7.5" Dana FT	4591FT	<b>21P4591FT</b>	21k Premium	Marathon HS20	<b>SB21P4591FT</b>	(2) 21P4591FT	(1) 08-107400
12.25" x 7.5" Dana FT, bolt-on spider	4591FT	<b>21P4591FT</b>	21k Premium	Marathon HS20	<b>SB21P4591FTCR</b>	(2) 21P4591FT	(1) 08-107500
12.25" x 7.5" Dana FT	4591FT	<b>23M4591FT</b>	23k Medium	Marathon FLOE	<b>SB23M4591FT</b>	(2) 23M4591FT	(1) 08-107400
12.25" x 7.5" Dana FT, bolt-on spider	4591FT	<b>23M4591FT</b>	23k Medium	Marathon FLOE	<b>SB23M4591FTCR</b>	(2) 23M4591FT	(1) 08-107500
12.25" x 7.5" Dexter PQ	4591PQ	<b>20M4591PQ</b>	20k Medium	Marathon UB	<b>SB20M4591PQ</b>	(2) 20M4591PQ	(1) 08-104700
12.25" x 7.5" Dexter PQ - 1" Anchor Pin Holes	4591PQ	<b>20M4591PQ</b>	20k Medium	Marathon UB	<b>SB20M4591PQR</b>	(2) 20M4591PQ	(1) 08-104708
12.25" x 7.5" Dexter PQ	4591PQ	<b>21P4591PQ</b>	21k Premium	Marathon HS20	<b>SB21P4591PQ</b>	(2) 21P4591PQ	(1) 08-104700
12.25" x 7.5" Dexter PQ 1" Anchor Pin Holes	4591PQ	<b>21P4591PQ</b>	21k Premium	Marathon HS20	<b>SB21P4591PQR</b>	(2) 21P4591PQ	(1) 08-104708
12.25" x 7.5" Dexter PQ	4591PQ	<b>23M4591PQ</b>	23k Medium	Marathon FLOE	<b>SB23M4591PQ</b>	(2) 23M4591PQ	(1) 08-104700
12.25" x 7.5" Dexter PQ 1" Anchor Pin Holes	4591PQ	<b>23M4591PQ</b>	23k Medium	Marathon FLOE	<b>SB23M4591PQR</b>	(2) 23M4591PQ	(1) 08-104708
12.25" x 7.5" Dexter PQ	4591PQ	<b>23P4591PQ</b>	23k Premium	Marathon HS	<b>SB23P4591PQ</b>	(2) 23P4591PQ	(1) 08-104700
12.25" x 7.5" Dexter PQ 1" Anchor Pin Holes	4591PQ	<b>23P4591PQ</b>	23k Premium	Marathon HS	<b>SB23P4591PQR</b>	(2) 23P4591PQ	(1) 08-104708
12.25" x 7.5" Hendrickson HXS	4692HXS	—	20k Medium	Hendrickson OE	<b>SB20M4692HXS</b>	(2) 20M4692HXS	(1) 08-105900
12.25" x 7.5" Rockwell Q	4670Q	<b>21P4670Q</b>	21k Premium	Marathon HS20	<b>SB21P4670Q</b>	(2) 21P4670Q	(1) 08-109300
12.25" x 7.5" Rockwell Q	4670Q	<b>23P4670Q</b>	23k Premium	Marathon HS	<b>SB23P4670Q</b>	(2) 23P4670Q	(1) 08-109300
12.25" x 8" Fruehauf F	4649F	<b>23P4649F</b>	23k Premium	Marathon HS	<b>SB23P4649F</b>	(2) 23P4649F	(1) 08-107700
325mm x 100mm Watson SL/STL	6042SL	<b>20M6042SL</b>	20k Medium	Watson OE	<b>SB20M6042SL</b>	(2) 20M6042SL	(1) 08-105600
15" x 4" Eaton EB	1308E	<b>20E1308E</b>	20k Economy	Marathon MV20	<b>SB20E1308E</b>	(2) 20E1308E	(1) 1308E00
15" x 4" Eaton EB	1308E	<b>20M1308E</b>	20k Medium	Marathon UB	<b>SB20M1308E</b>	(2) 20M1308E	(1) 1308E00
15" x 4" Eaton EB	1308E	<b>21P1308E</b>	21k Premium	Marathon HS20	<b>SB21P1308E</b>	(2) 21P1308E	(1) 1308E00
15" x 4" Eaton EB	1308E	<b>23M1308E</b>	23k Medium	Marathon FLOE	<b>SB23M1308E</b>	(2) 23M1308E	(1) 1308E00

# New Lined Brake Shoes

New Lined Brake Shoes

Application	Unlined Shoe	DP Shoe Part No.	Lining Rate	Lining Type	DP Boxed Shoe Set	Set Contains	
						Shoe	Kit
15" x 4" Eaton ES	1443ES	<b>20E1443ES</b>	20k Economy	Marathon MV20	<b>SB20E1443ES</b>	(2) 20E1443ES	(1) 1308E00
15" x 4" Eaton ES	1443ES	<b>20M1443ES</b>	20k Medium	Marathon UB	<b>SB20M1443ES</b>	(2) 20M1443ES	(1) 1308E00
15" x 4" Eaton ES	1443ES	<b>21P1443ES</b>	21k Premium	Marathon HS20	<b>SB21P1443ES</b>	(2) 21P1443ES	(1) 1308E00
15" x 4" Eaton ES	1443ES	<b>23M1443ES</b>	23k Medium	Marathon FLOE	<b>SB23M1443ES</b>	(2) 23M1443ES	(1) 1308E00
15" x 4" Eaton ES	1443ES	<b>23DS1443ES</b>	23k Standard	Dayton Parts DS23	<b>SB23DS1443ES</b>	(2) 23DS1443ES	(1) 1308E00
15" x 4" Eaton ES	1443ES	<b>23DP1443ES</b>	23k Premium	Dayton Parts DP23	<b>SB23DP1443ES</b>	(2) 23DP1443ES	(1) 1308E00
15" x 4" Eaton ES-II	4729E2	<b>21P4729E2</b>	21k Premium	Marathon HS20	<b>SB21P4729E2</b>	(2) 21P4729E2	(1) 472902
15" x 4" Eaton ES-II	4729E2	<b>23M4729E2</b>	23k Medium	Marathon FLOE	<b>SB23M4729E2</b>	(2) 23M4729E2	(1) 472902
15" x 4" Rockwell Q	1308Q	<b>20M1308Q</b>	20k Medium	Marathon UB	<b>SB20M1308Q</b>	(2) 20M1308Q	(1) 1308Q00
15" x 4" Rockwell Q	1308Q	<b>20M1308Q</b>	20k Medium	Marathon UB	<b>SB20M1308QLP</b>	(2) 20M1308Q	(1) 1308Q02
15" x 4" Rockwell Q	1308Q	<b>21P1308Q</b>	21k Premium	Marathon HS20	<b>SB21P1308Q</b>	(2) 21P1308Q	(1) 1308Q00
15" x 4" Rockwell Q	1308Q	<b>21P1308Q</b>	21k Premium	Marathon HS20	<b>SB21P1308QLP</b>	(2) 21P1308Q	(1) 1308Q02
15" x 4" Rockwell Q	1308Q	<b>23M1308Q</b>	23k Medium	Marathon FLOE	<b>SB23M1308Q</b>	(2) 23M1308Q	(1) 1308Q00
15" x 4" Rockwell Q	1308Q	<b>23M1308Q</b>	23k Medium	Marathon FLOE	<b>SB23M1308QLP</b>	(2) 23M1308Q	(1) 1308Q02
15" x 4" Rockwell Q-Plus	4702QP	<b>20E4702QP</b>	20k Economy	Marathon MV20	<b>SB20E4702QP</b>	(2) 20E4702QP	(1) 4702Q00
15" x 4" Rockwell Q-Plus	4702QP	<b>20M4702QP</b>	20k Medium	Marathon UB	<b>SB20M4702QP</b>	(2) 20M4702QP	(1) 4702Q00
15" x 4" Rockwell Q-Plus	4702QP	<b>21P4702QP</b>	21k Premium	Marathon HS20	<b>SB21P4702QP</b>	(2) 21P4702QP	(1) 4702Q00
15" x 4" Rockwell Q-Plus	4702QP	<b>23M4702QP</b>	23k Medium	Marathon FLOE	<b>SB23M4702QP</b>	(2) 23M4702QP	(1) 4702Q00
15" x 4" Rockwell Q-Plus	4702QP	<b>23DS4702QP</b>	23k Standard	Dayton Parts DS23	<b>SB23DS4702QP</b>	(2) 23DS4702QP	(1) 4702Q00
15" x 4" Rockwell Q-Plus	4702QP	<b>23DP4702QP</b>	23k Premium	Dayton Parts DP23	<b>SB23DP4702QP</b>	(2) 23DP4702QP	(1) 4702Q00
15" x 4" Rockwell T	1308T	<b>21P1308T</b>	21k Premium	Marathon HS20	<b>SB21P1308T</b>	(2) 21P1308T	(1) 1308T00
15" x 4" Rockwell T	1308T	<b>21P1308T</b>	21k Premium	Marathon HS20	<b>SB21P1308TLP</b>	(2) 21P1308T	(1) 1308T02
15" x 5" Rockwell Q-Plus	4703QP	<b>23M4703QP</b>	23k Medium	Marathon FLOE	<b>SB23M4703QP</b>	(2) 23M4703QP	(1) 4702Q00
15" x 6" Rockwell Q-Plus	4704QP	<b>23P4704QP</b>	23k Premium	Marathon HS	<b>SB23P4704QP</b>	(2) 23P4704QP	(1) 4702Q00
15" x 8.62" Eaton ES-II - Reduced envelope	4717E2	<b>23M4717E2</b>	23k Medium	Marathon FLOE	<b>SB23M4717E2</b>	(2) 23M4717E2	(1) 08-104430
15" x 8.62" Rockwell Q-Plus	4710QP	<b>21P4710QP</b>	21k Premium	Marathon HS20	<b>SB21P4710QP</b>	(2) 21P4710QP	(1) 4702Q00
15" x 8.62" Rockwell Q-Plus	4710QP	<b>23M4710QP</b>	23k Medium	Marathon FLOE	<b>SB23M4710QP</b>	(2) 23M4710QP	(1) 4702Q00
15" x 8.62" Rockwell Q-Plus	4710QP	<b>23DS4710QP</b>	23k Standard	Dayton Parts DS23	<b>SB23DS4710QP</b>	(2) 23DS4710QP	(1) 4702Q00
15" x 8.62" Rockwell Q-Plus	4710QP	<b>23DP4710QP</b>	23k Premium	Dayton Parts DP23	<b>SB23DP4710QP</b>	(2) 23DP4710QP	(1) 4702Q00
16.5" x 5" Eaton ES-II	4719E2	<b>21P4719E2</b>	21k Premium	Marathon HS20	<b>SB21P4719E2</b>	(2) 21P4719E2	(1) 470902
16.5" x 5" Eaton ES-II - steer axles over 14.6k	4719E2	<b>21P4719E2</b>	21k Premium	Marathon HS20	<b>SB21P4719E2S</b>	(2) 21P4719E2	(1) 470920
16.5" x 5" Eaton ES-II	4719E2	<b>23M4719E2</b>	23k Medium	Marathon FLOE	<b>SB23M4719E2</b>	(2) 23M4719E2	(1) 470902
16.5" x 5" Eaton ES-II - steer axles over 14.6k	4719E2	<b>23M4719E2</b>	23k Medium	Marathon FLOE	<b>SB23M4719E2S</b>	(2) 23M4719E2	(1) 470920
16.5" x 5" Eaton ES-II	4719E2	<b>21CV4719E2</b>	21k Com Vehicle	Dayton Parts CV21	<b>SB21CV4719E2</b>	(2) 21CV4719E2	(1) 470902
16.5" x 5" Eaton ES-II - steer axles over 14.6k	4719E2	<b>21CV4719E2</b>	21k Com Vehicle	Dayton Parts CV21	<b>SB21CV4719E2S</b>	(2) 21CV4719E2	(1) 470920
16.5" x 5" Eaton ES-II	4719E2	<b>23CV4719E2</b>	23k Com Vehicle	Dayton Parts CV23	<b>SB23CV4719E2</b>	(2) 23CV4719E2	(1) 470902
16.5" x 5" Eaton ES-II - steer axles over 14.6k	4719E2	<b>23CV4719E2</b>	23k Com Vehicle	Dayton Parts CV23	<b>SB23CV4719E2S</b>	(2) 23CV4719E2	(1) 470920
16.5" x 5" Eaton ES-II	4719E2	<b>23DS4719E2</b>	23k Standard	Dayton Parts DS23	<b>SB23DS4719E2</b>	(2) 23DS4719E2	(1) 470902
16.5" x 5" Eaton ES-II - steer axles over 14.6k	4719E2	<b>23DS4719E2</b>	23k Standard	Dayton Parts DS23	<b>SB23DS4719E2S</b>	(2) 23DS4719E2	(1) 470920
16.5" x 5" Eaton ES-II	4719E2	<b>23DP4719E2</b>	23k Premium	Dayton Parts DP23	<b>SB23DP4719E2</b>	(2) 23DP4719E2	(1) 470902
16.5" x 5" Eaton ES-II - steer axles over 14.6k	4719E2	<b>23DP4719E2</b>	23k Premium	Dayton Parts DP23	<b>SB23DP4719E2S</b>	(2) 23DP4719E2	(1) 470920

# New Lined Brake Shoes

## New Lined Brake Shoes

Application	Unlined Shoe	DP Shoe Part No.	Lining Rate	Lining Type	DP Boxed Shoe Set	Set Contains	
						Shoe	Kit
16.5" x 5" Rockwell Q-Plus, steer axle	4720QP	<b>20M4720QP</b>	20k Medium	Marathon UB	<b>SB20M4720QPS</b>	(2) 20M4720QP	(1) 4524MQ30
16.5" x 5" Rockwell Q-Plus, steer axle	4720QP	<b>21P4720QP</b>	21k Premium	Marathon HS20	<b>SB21P4720QPS</b>	(2) 21P4720QP	(1) 4524MQ30
16.5" x 5" Rockwell Q-Plus, steer axle	4720QP	<b>23M4720QP</b>	23k Medium	Marathon FLOE	<b>SB23M4720QPS</b>	(2) 23M4720QP	(1) 4524MQ30
16.5" x 5" Rockwell Q-Plus, steer axle	4720QP	<b>26T4720QP</b>	26k Transit	Marathon KVT	<b>SB26T4720QPS</b>	(2) 26T4720QP	(1) 4524MQ30
16.5" x 5" Rockwell Q-Plus, steer axle	4720QP	<b>21CV4720QP</b>	21k Com Vehicle	Dayton Parts CV21	<b>SB21CV4720QPS</b>	(2) 21CV4720QP	(1) 4524MQ30
16.5" x 5" Rockwell Q-Plus, steer axle	4720QP	<b>23CV4720QP</b>	23k Com Vehicle	Dayton Parts CV23	<b>SB23CV4720QPS</b>	(2) 23CV4720QP	(1) 4524MQ30
16.5" x 5" Rockwell Q-Plus, steer axle	4720QP	<b>23DS4720QP</b>	23k Standard	Dayton Parts DS23	<b>SB23DS4720QPS</b>	(2) 23DS4720QP	(1) 4524MQ30
16.5" x 5" Rockwell Q-Plus, steer axle	4720QP	<b>23DP4720QP</b>	23k Premium	Dayton Parts DP23	<b>SB23DP4720QPS</b>	(2) 23DP4720QP	(1) 4524MQ30
16.5" x 6" Eaton ES-II	4725E2	<b>21P4725E2</b>	21k Premium	Marathon HS20	<b>SB21P4725E2</b>	(2) 21P4725E2	(1) 470902
16.5" x 6" Eaton ES-II - Steer axles over 14.6k	4725E2	<b>21P4725E2</b>	21k Premium	Marathon HS20	<b>SB21P4725E2S</b>	(2) 21P4725E2	(1) 470920
16.5" x 6" Eaton ES-II	4725E2	<b>23M4725E2</b>	23k Medium	Marathon FLOE	<b>SB23M4725E2</b>	(2) 23M4725E2	(1) 470902
16.5" x 6" Eaton ES-II - Steer axles over 14.6k	4725E2	<b>23M4725E2</b>	23k Medium	Marathon FLOE	<b>SB23M4725E2S</b>	(2) 23M4725E2	(1) 470920
16.5" x 6" Eaton ES-II	4725E2	<b>21CV4725E2</b>	21k Com Vehicle	Dayton Parts CV21	<b>SB21CV4725E2</b>	(2) 21CV4725E2	(1) 470902
16.5" x 6" Eaton ES-II - Steer axles over 14.6k	4725E2	<b>21CV4725E2</b>	21k Com Vehicle	Dayton Parts CV21	<b>SB21CV4725E2S</b>	(2) 21CV4725E2	(1) 470920
16.5" x 6" Eaton ES-II	4725E2	<b>23CV4725E2</b>	23k Com Vehicle	Dayton Parts CV23	<b>SB23CV4725E2</b>	(2) 23CV4725E2	(1) 470902
16.5" x 6" Eaton ES-II - Steer axles over 14.6k	4725E2	<b>23CV4725E2</b>	23k Com Vehicle	Dayton Parts CV23	<b>SB23CV4725E2S</b>	(2) 23CV4725E2	(1) 470920
16.5" x 6" Eaton ES-II	4725E2	<b>23DS4725E2</b>	23k Standard	Dayton Parts DS23	<b>SB23DS4725E2</b>	(2) 23DS4725E2	(1) 470902
16.5" x 6" Eaton ES-II - Steer axles over 14.6k	4725E2	<b>23DS4725E2</b>	23k Standard	Dayton Parts DS23	<b>SB23DS4725E2S</b>	(2) 23DS4725E2	(1) 470920
16.5" x 6" Eaton ES-II	4725E2	<b>23DP4725E2</b>	23k Premium	Dayton Parts DP23	<b>SB23DP4725E2</b>	(2) 23DP4725E2	(1) 470902
16.5" x 6" Eaton ES-II - Steer axles over 14.6k	4725E2	<b>23DP4725E2</b>	23k Premium	Dayton Parts DP23	<b>SB23DP4725E2S</b>	(2) 23DP4725E2	(1) 470920
16.5" x 6" Rockwell Cast-Plus - Standard block	4715CP	<b>26T4715CP</b>	26k Transit	Marathon KVT	<b>No shoebox</b>	—	—
16.5" x 6" Rockwell Q-Plus, steer axle	4715QP	<b>20M4715QP</b>	20k Medium	Marathon UB	<b>SB20M4715QPS</b>	(2) 20M4715QP	(1) 4524MQ30
16.5" x 6" Rockwell Q-Plus	4715QP	<b>21P4715QP</b>	21k Premium	Marathon HS20	<b>SB21P4715QP</b>	(2) 21P4715QP	(1) 4515Q30
16.5" x 6" Rockwell Q-Plus, steer axle	4715QP	<b>21P4715QP</b>	21k Premium	Marathon HS20	<b>SB21P4715QPS</b>	(2) 21P4715QP	(1) 4524MQ30
16.5" x 6" Rockwell Q-Plus	4715QP	<b>23M4715QP</b>	23k Medium	Marathon FLOE	<b>SB23M4715QP</b>	(2) 23M4715QP	(1) 4515Q30
16.5" x 6" Rockwell Q-Plus, steer axle	4715QP	<b>23M4715QP</b>	23k Medium	Marathon FLOE	<b>SB23M4715QPS</b>	(2) 23M4715QP	(1) 4524MQ30
16.5" x 6" Rockwell Q-Plus	4715QP	<b>26T4715QP</b>	26k Transit	Marathon KVT	<b>SB26T4715QP</b>	(2) 26T4715QP	(1) 4515Q30
16.5" x 6" Rockwell Q-Plus, steer axle	4715QP	<b>26T4715QP</b>	26k Transit	Marathon KVT	<b>SB26T4715QPS</b>	(2) 26T4715QP	(1) 4524MQ30
16.5" x 6" Rockwell Q-Plus	4715QP	<b>21CV4715QP</b>	21k Com Vehicle	Dayton Parts CV21	<b>SB21CV4715QP</b>	(2) 21CV4715QP	(1) 4515Q30
16.5" x 6" Rockwell Q-Plus, steer axle	4715QP	<b>21CV4715QP</b>	21k Com Vehicle	Dayton Parts CV21	<b>SB21CV4715QPS</b>	(2) 21CV4715QP	(1) 4524MQ30
16.5" x 6" Rockwell Q-Plus	4715QP	<b>23CV4715QP</b>	23k Com Vehicle	Dayton Parts CV23	<b>SB23CV4715QP</b>	(2) 23CV4715QP	(1) 4515Q30
16.5" x 6" Rockwell Q-Plus, steer axle	4715QP	<b>23CV4715QP</b>	23k Com Vehicle	Dayton Parts CV23	<b>SB23CV4715QPS</b>	(2) 23CV4715QP	(1) 4524MQ30
16.5" x 6" Rockwell Q-Plus	4715QP	<b>23DS4715QP</b>	23k Standard	Dayton Parts DS23	<b>SB23DS4715QP</b>	(2) 23DS4715QP	(1) 4515Q30
16.5" x 6" Rockwell Q-Plus, steer axle	4715QP	<b>23DS4715QP</b>	23k Standard	Dayton Parts DS23	<b>SB23DS4715QPS</b>	(2) 23DS4715QP	(1) 4524MQ30
16.5" x 6" Rockwell Q-Plus	4715QP	<b>23DP4715QP</b>	23k Premium	Dayton Parts DP23	<b>SB23DP4715QP</b>	(2) 23DP4715QP	(1) 4515Q30
16.5" x 6" Rockwell Q-Plus, steer axle	4715QP	<b>23DP4715QP</b>	23k Premium	Dayton Parts DP23	<b>SB23DP4715QPS</b>	(2) 23DP4715QP	(1) 4524MQ30

# New Lined Brake Shoes

New Lined Brake Shoes

Application	Unlined Shoe	DP Shoe Part No.	Lining Rate	Lining Type	DP Boxed Shoe Set	Set Contains	
						Shoe	Kit
16.5" x 7" Eaton ES-II	4709E2	<b>20E4709E2</b>	20k Economy	Marathon MV20	<b>SB20E4709E2</b>	(2) 20E4709E2	(1) 470902
16.5" x 7" Eaton ES-II	4709E2	<b>20M4709E2</b>	20k Medium	Marathon UB	<b>SB20M4709E2</b>	(2) 20M4709E2	(1) 470902
16.5" x 7" Eaton ES-II	4709E2	<b>21P4709E2</b>	21k Premium	Marathon HS20	<b>SB21P4709E2</b>	(2) 21P4709E2	(1) 470902
16.5" x 7" Eaton ES-II	4709E2	<b>23E4709E2</b>	23k Economy	Marathon MV23	<b>SB23E4709E2</b>	(2) 23E4709E2	(1) 470902
16.5" x 7" Eaton ES-II	4709E2	<b>23M4709E2</b>	23k Medium	Marathon FLOE	<b>SB23M4709E2</b>	(2) 23M4709E2	(1) 470902
16.5" x 7" Eaton ES-II	4709E2	<b>23P4709E2</b>	23k Premium	Marathon HS	<b>SB23P4709E2</b>	(2) 23P4709E2	(1) 470902
16.5" x 7" Eaton ES-II , steer axle	4709E2	<b>23P4709E2</b>	23k Premium	Marathon HS	<b>SB23P4709E2S</b>	(2) 23P4709E2	(1) 470920
16.5" x 7" Eaton ES-II	4709E2	<b>23S4709E2</b>	23k S/M Combo	Marathon MBC	<b>SB23S4709E2</b>	(2) 23S4709E2	(1) 470902
16.5" x 7" Eaton ES-II	4709E2	<b>21CV4709E2</b>	21k Com Vehicle	Dayton Parts CV21	<b>SB21CV4709E2</b>	(2) 21CV4709E2	(1) 470902
16.5" x 7" Eaton ES-II	4709E2	<b>23CV4709E2</b>	23k Com Vehicle	Dayton Parts CV23	<b>SB23CV4709E2</b>	(2) 23CV4709E2	(1) 470902
16.5" x 7" Eaton ES-II	4709E2	<b>23DS4709E2</b>	23k Standard	Dayton Parts DS23	<b>SB23DS4709E2</b>	(2) 23DS4709E2	(1) 470902
16.5" x 7" Eaton ES-II	4709E2	<b>23DP4709E2</b>	23k Premium	Dayton Parts DP23	<b>SB23DP4709E2</b>	(2) 23DP4709E2	(1) 470902
16.5" x 7" Fruehauf XEM3	4515X	<b>20E4515X</b>	20k Economy	Marathon MV20	<b>SB20E4515X</b>	(2) 20E4515X	(1) 4515X31
16.5" x 7" Fruehauf XEM3	4515X	<b>20M4515X</b>	20k Medium	Marathon UB	<b>SB20M4515X</b>	(2) 20M4515X	(1) 4515X31
16.5" x 7" Fruehauf XEM3	4515X	<b>21P4515X</b>	21k Premium	Marathon HS20	<b>SB21P4515X</b>	(2) 21P4515X	(1) 4515X31
16.5" x 7" Fruehauf XEM3	4515X	<b>23E4515X</b>	23k Economy	Marathon MV23	<b>SB23E4515X</b>	(2) 23E4515X	(1) 4515X31
16.5" x 7" Fruehauf XEM3	4515X	<b>23M4515X</b>	23k Medium	Marathon FLOE	<b>SB23M4515X</b>	(2) 23M4515X	(1) 4515X31
16.5" x 7" Fruehauf XEM3	4515X	<b>23P4515X</b>	23k Premium	Marathon HS	<b>SB23P4515X</b>	(2) 23P4515X	(1) 4515X31
16.5" x 7" Fruehauf XEM3	4515X	<b>23S4515X</b>	23k S/M Combo	Marathon MBC	<b>SB23S4515X</b>	(2) 23S4515X	(1) 4515X31
16.5" x 7" Rockwell P, cast shoe	4515PC	<b>23SM4515PC</b>	23k Semi-Met	Marathon MBS	<b>SB23SM4515PC</b>	(2) 23SM4515PC	(1) 08-109832
16.5" x 7" Rockwell P, cast shoe	4515PC	<b>26T4515PC</b>	26k Transit	Marathon KVT	<b>SB26T4515PC</b>	(2) 26T4515PC	(1) 08-109832
16.5" x 7" Rockwell Q	4515Q	<b>20E4515Q</b>	20k Economy	Marathon MV20	<b>SB20E4515Q</b>	(2) 20E4515Q	(1) 4515Q30
16.5" x 7" Rockwell Q	4515Q	<b>20M4515Q</b>	20k Medium	Marathon UB	<b>SB20M4515Q</b>	(2) 20M4515Q	(1) 4515Q30
16.5" x 7" Rockwell Q	4515Q	<b>21P4515Q</b>	21k Premium	Marathon HS20	<b>SB21P4515Q</b>	(2) 21P4515Q	(1) 4515Q30
16.5" x 7" Rockwell Q	4515Q	<b>23E4515Q</b>	23k Economy	Marathon MV23	<b>SB23E4515Q</b>	(2) 23E4515Q	(1) 4515Q30
16.5" x 7" Rockwell Q	4515Q	<b>23F4515Q</b>	23k Fleet	Marathon FS23	<b>SB23F4515Q</b>	(2) 23F4515Q	(1) 4515Q30
16.5" x 7" Rockwell Q	4515Q	<b>23M4515Q</b>	23k Medium	Marathon FLOE	<b>SB23M4515Q</b>	(2) 23M4515Q	(1) 4515Q30
16.5" x 7" Rockwell Q	4515Q	<b>23P4515Q</b>	23k Premium	Marathon HS	<b>SB23P4515Q</b>	(2) 23P4515Q	(1) 4515Q30
16.5" x 7" Rockwell Q	4515Q	<b>23S4515Q</b>	23k S/M Combo	Marathon MBC	<b>SB23S4515Q</b>	(2) 23S4515Q	(1) 4515Q30
16.5" x 7" Rockwell Q	4515Q	<b>23DS4515Q</b>	23k Standard	Dayton Parts DS23	<b>SB23DS4515Q</b>	(2) 23DS4515Q	(1) 4515Q30
16.5" x 7" Rockwell Q	4515Q	<b>23DP4515Q</b>	23k Premium	Dayton Parts DP23	<b>SB23DP4515Q</b>	(2) 23DP4515Q	(1) 4515Q30
16.5" x 7" Rockwell Q-Plus	4707QP	<b>20E4707QP</b>	20k Economy	Marathon MV20	<b>SB20E4707QP</b>	(2) 20E4707QP	(1) 4515Q30
16.5" x 7" Rockwell Q-Plus	4707QP	<b>20M4707QP</b>	20k Medium	Marathon UB	<b>SB20M4707QP</b>	(2) 20M4707QP	(1) 4515Q30
16.5" x 7" Rockwell Q-Plus	4707QP	<b>21P4707QP</b>	21k Premium	Marathon HS20	<b>SB21P4707QP</b>	(2) 21P4707QP	(1) 4515Q30
16.5" x 7" Rockwell Q-Plus	4707QP	<b>23E4707QP</b>	23k Economy	Marathon MV23	<b>SB23E4707QP</b>	(2) 23E4707QP	(1) 4515Q30
16.5" x 7" Rockwell Q-Plus	4707QP	<b>23F4707QP</b>	23k Fleet	Marathon FS23	<b>SB23F4707QP</b>	(2) 23F4707QP	(1) 4515Q30
16.5" x 7" Rockwell Q-Plus	4707QP	<b>23M4707QP</b>	23k Medium	Marathon FLOE	<b>SB23M4707QP</b>	(2) 23M4707QP	(1) 4515Q30
16.5" x 7" Rockwell Q-Plus	4707QP	<b>23P4707QP</b>	23k Premium	Marathon HS	<b>SB23P4707QP</b>	(2) 23P4707QP	(1) 4515Q30
16.5" x 7" Rockwell Q-Plus	4707QP	<b>23S4707QP</b>	23k S/M Combo	Marathon MBC	<b>SB23S4707QP</b>	(2) 23S4707QP	(1) 4515Q30
16.5" x 7" Rockwell Q-Plus	4707QP	<b>25P4707QP</b>	25k Premium	Marathon TS	<b>SB25P4707QP</b>	(2) 25P4707QP	(1) 4515Q30
16.5" x 7" Rockwell Q-Plus	4707QP	<b>26T4707QP</b>	26k Transit	Marathon KVT	<b>SB26T4707QP</b>	(2) 26T4707QP	(1) 4515Q30
16.5" x 7" Rockwell Q-Plus	4707QP	<b>21CV4707QP</b>	21k Com Vehicle	Dayton Parts CV21	<b>SB21CV4707QP</b>	(2) 21CV4707QP	(1) 4515Q30
16.5" x 7" Rockwell Q-Plus	4707QP	<b>23CV4707QP</b>	23k Com Vehicle	Dayton Parts CV23	<b>SB23CV4707QP</b>	(2) 23CV4707QP	(1) 4515Q30
16.5" x 7" Rockwell Q-Plus	4707QP	<b>23DS4707QP</b>	23k Standard	Dayton Parts DS23	<b>SB23DS4707QP</b>	(2) 23DS4707QP	(1) 4515Q30
16.5" x 7" Rockwell Q-Plus	4707QP	<b>23DP4707QP</b>	23k Premium	Dayton Parts DP23	<b>SB23DP4707QP</b>	(2) 23DP4707QP	(1) 4515Q30
16.5" x 8" Rockwell Q-Plus	4718QP	<b>21P4718QP</b>	21k Premium	Marathon HS20	<b>SB21P4718QP</b>	(2) 21P4718QP	(1) 4515Q30
16.5" x 8" Rockwell Q-Plus	4718QP	<b>23M4718QP</b>	23k Medium	Marathon FLOE	<b>SB23M4718QP</b>	(2) 23M4718QP	(1) 4515Q30

# New Lined Brake Shoes

## New Lined Brake Shoes

Application	Unlined Shoe	DP Shoe Part No.	Lining Rate	Lining Type	DP Boxed Shoe Set	Set Contains	
						Shoe	Kit
16.5" x 8.62" Eaton ES-II	4726E2	<b>21P4726E2</b>	21k Premium	Marathon HS20	<b>SB21P4726E2</b>	(2) 21P4726E2	(1) 470902
16.5" x 8.62" Eaton ES-II	4726E2	<b>23M4726E2</b>	23k Medium	Marathon FLOE	<b>SB23M4726E2</b>	(2) 23M4726E2	(1) 470902
16.5" x 8.62" Eaton ES-II	4726E2	<b>23P4726E2</b>	23k Premium	Marathon HS	<b>SB23P4726E2</b>	(2) 23P4726E2	(1) 470902
16.5" x 8.62" Eaton ES-II	4726E2	<b>21CV4726E2</b>	21k Com Vehicle	Dayton Parts CV21	<b>SB21CV4726E2</b>	(2) 21CV4726E2	(1) 470902
16.5" x 8.62" Eaton ES-II	4726E2	<b>23CV4726E2</b>	23k Com Vehicle	Dayton Parts CV23	<b>SB23CV4726E2</b>	(2) 23CV4726E2	(1) 470902
16.5" x 8.62" Eaton ES-II	4726E2	<b>23DS4726E2</b>	23k Standard	Dayton Parts DS23	<b>SB23DS4726E2</b>	(2) 23DS4726E2	(1) 470902
16.5" x 8.62" Eaton ES-II	4726E2	<b>23DP4726E2</b>	23k Premium	Dayton Parts DP23	<b>SB23DP4726E2</b>	(2) 23DP4726E2	(1) 470902
16.5" x 8.62" Fruehauf XEM3 - offset shoe - LH	4551XL	<b>23P4551XL</b>	23k Premium	Marathon HS	<b>SB23P4551X</b>	(1) Pair LH/RH	(1) 4515X31
16.5" x 8.62" Fruehauf XEM3 - offset shoe - RH	4551XR	<b>23P4551XR</b>	23k Premium	Marathon HS	—		
16.5" x 8.62" Rockwell Cast-Plus - standard block	4728CP	<b>26T4728CP</b>	26k Transit	Marathon KVT	<b>No shoebox</b>		
16.5" x 8.62" Rockwell Q	4551Q	<b>23P4551Q</b>	23k Premium	Marathon HS	<b>SB23P4551Q</b>	(2) 23P4551Q	(1) 4515Q30
16.5" x 8.62" Rockwell Q-Plus	4711QP	<b>21P4711QP</b>	21k Premium	Marathon HS20	<b>SB21P4711QP</b>	(2) 21P4711QP	(1) 4515Q30
16.5" x 8.62" Rockwell Q-Plus	4711QP	<b>23M4711QP</b>	23k Medium	Marathon FLOE	<b>SB23M4711QP</b>	(2) 23M4711QP	(1) 4515Q30
16.5" x 8.62" Rockwell Q-Plus	4711QP	<b>23P4711QP</b>	23k Premium	Marathon HS	<b>SB23P4711QP</b>	(2) 23P4711QP	(1) 4515Q30
16.5" x 8.62" Rockwell Q-Plus	4711QP	<b>21CV4711QP</b>	21k Com Vehicle	Dayton Parts CV21	<b>SB21CV4711QP</b>	(2) 21CV4711QP	(1) 4515Q30
16.5" x 8.62" Rockwell Q-Plus	4711QP	<b>23CV4711QP</b>	23k Com Vehicle	Dayton Parts CV23	<b>SB23CV4711QP</b>	(2) 23CV4711QP	(1) 4515Q30
16.5" x 8.62" Rockwell Q-Plus	4711QP	<b>23DS4711QP</b>	23k Standard	Dayton Parts DS23	<b>SB23DS4711QP</b>	(2) 23DS4711QP	(1) 4515Q30
16.5" x 8.62" Rockwell Q-Plus	4711QP	<b>23DP4711QP</b>	23k Premium	Dayton Parts DP23	<b>SB23DP4711QP</b>	(2) 23DP4711QP	(1) 4515Q30
420mm x 180mm BPW	1477BPW	<b>23DP1477BPW</b>	23k Premium	Dayton Parts DP23	<b>SB23DP1477BPW</b>	(2) 23DP1477BPW	(1) 08-115015



# Brake Kits

12 1/4" Dana

Brake Kits

## Trailer axle - FC series (08-105700 shown)



**01-330**  
Return Spring



**01-320**  
Spring Clip



**01-447**  
Anchor Pin



**01-305**  
Retainer Spring



**01-202**  
1 1/2" Roller



**01-300**  
Roller Retainer

### MASTER GROUP 63

1 1/2" Spider Journal,  
1 1/2"-10 Spline



### MASTER GROUP 64

1 1/2" Spider Journal,  
1 1/2"-28 Spline



**02-235**  
Anchor Pin Bushing

**Kit Options** \*Kits include the components shown with the following exceptions by Part Number.

Kit Number	Return Spring	Roller
08-105700	01-330	01-202

### Shoes

Shoe Part No.	Shoe Size	Remarks	Refer to Page
4536FC	5 1/2"	Shoe can be used for FC or FC-111 applications	156
4692FC	7 1/2"	Shoe can be used for FC or FC-111 applications	156

Trailer axle - FC-111 series (08-104900 Shown)

Brake Kits



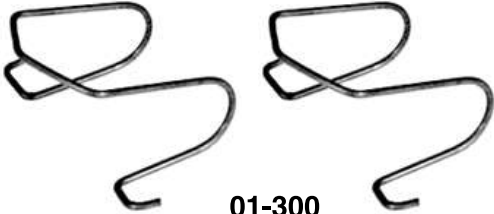
**01-330**  
Return Spring



**01-320**  
Spring Clip



**01-3482**  
Retainer Spring



**01-300**  
Roller Retainer



**01-202**  
1 1/2" Roller



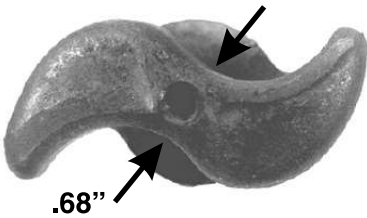
**02-221**  
Anchor  
Pin Bushing



**01-434**  
Anchor Pin

**MASTER GROUP 54**

1 5/8" Spider Journal,  
1 1/2"- 28 Spline



**ADDITIONAL COMPONENT OPTIONS**



**01-370**  
Retainer Spring

**Kit Options** \*Kits include the components shown with the following exceptions by Part Number.

Kit Number	Return Spring	Retainer Spring
08-104900	01-330	01-3482
08-104999	01-330	01-370

**Shoes**

Shoe Part No.	Shoe Size	Remarks	Refer to Page
4661FC	5"		156
4536FC	5 1/2"	Shoe can be used for FC or FC-111 applications	156
4692FC	7 1/2"	Shoe can be used for FC or FC-111 applications	156

# Brake Kits

12 1/4" Dana

Brake Kits

## Trailer axle - FT series - bolt-on spider (08-107500 Shown)



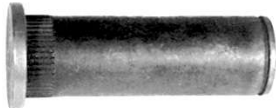
**01-330**  
Return Spring



**01-489**  
Anchor Pin Lock



**01-497**  
Anchor Pin Nuts & Washer



**01-263**  
Roller Pin



**01-223**  
1 1/2" Roller



**01-301**  
Roller Pin Lock



**01-488**  
Anchor Pin Plate



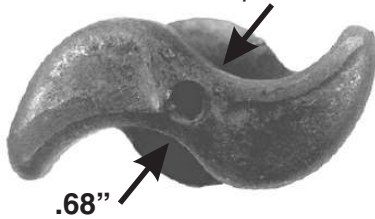
**01-318**  
Spring Clip



**01-413**  
Anchor Pin

### MASTER GROUP 63

1 1/2" Spider Journal,  
1 1/2"- 10 Spline



**Kit Options** \*Kits include the components shown with the following exceptions by Part Number.

Kit Number	Return Spring	Roller
08-107500	01-330	01-223

### Shoes

Shoe Part No.	Shoe Size	Remarks	Refer to Page
4536FT	5 1/2"		156
4591FT	7 1/2"		156



Trailer axle - FT series - weld-on spider (08-107400 Shown)

Brake Kits



01-330  
Return Spring



01-489  
Anchor Pin Lock



01-473  
Anchor Pin Washer



01-235  
Anchor Pin  
Bushing



01-223  
1 1/2" Roller



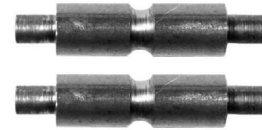
01-301  
Roller Pin Lock



01-417  
Anchor Pin



01-263  
Roller Pin



01-318  
Spring Clip

**MASTER GROUP 63**  
1 1/2" Spider Journal,  
1 1/2"- 10 Spline

.68"

**MASTER GROUP 64**  
1 1/2" Spider Journal,  
1 1/2"- 28 Spline

.68"

**Kit Options** \*Kits include the components shown with the following exceptions by Part Number.

Kit Number	Return Spring	Roller
08-107400	01-330	01-223

**Shoes**

Shoe Part No.	Shoe Size	Remarks	Refer to Page
4536FT	5 1/2"		157
4691FT	7 1/2"		157

# Brake Kits

12 1/4" Dexter

Brake Kits

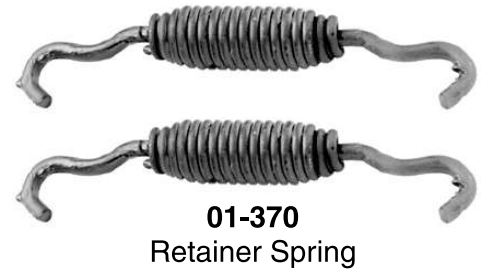
## Trailer axle - PQ series (08-104700 Shown)



**01-330**  
Return Spring



**01-320**  
Spring Clip



**01-370**  
Retainer Spring



**01-223**  
1 1/2" Roller



**01-301**  
Roller Pin Lock



**01-434**  
Anchor Pin



**02-219**  
Anchor Pin Bushing



**01-263**  
Roller Pin



### MASTER GROUP 67

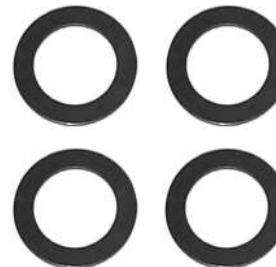
1 1/2" Spider Journal,  
1 1/2"- 28 Spline



### ADDITIONAL COMPONENT OPTIONS



**01-417**  
Anchor Pin



**01-473**  
Anchor Pin Washer



**01-489**  
Anchor Pin Lock

**Kit Options** \*Kits include the components shown with the following exceptions by Part Number.

Kit Number	Return Spring	Anchor Pin
08-104700	01-330	01-434, 1 1/4" anchor pin holes
08-104708	01-330	01-417, 1" anchor pin holes

### Shoes

Shoe Part No.	Shoe Size	Remarks	Refer to Page
4700PQ	4"		157
4661PQ	5"		157
4591PQ	7 1/2"		157

Trailer axle - F series (08-107700 Shown)

Brake Kits



**01-350**  
Return Spring



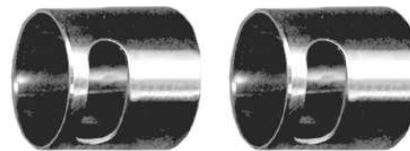
**01-320**  
Spring Clip



**01-491**  
Drive Pin



**01-400**  
Anchor Pin



**02-216**  
Anchor Pin Bushing

**MASTER GROUP 83**  
1 5/8" Spider Journal,  
1 5/8"- 37 Spline

.86"



**01-227**  
1" Roller



**01-310**  
Roller Retainer

**Kit Options** \*Kits include the components shown with the following exceptions by Part Number.

Kit Number	Return Spring	Roller
08-107700	01-350	01-227

**Shoes**

Shoe Part No.	Shoe Size	Remarks	Refer to Page
4649F	8"		157

# Brake Kits

12 1/4" Hendrickson

Brake Kits

Trailer axle - HXS series (08-105900 Shown)



### MASTER GROUP 52

1 5/8" Spider Journal,  
1 1/2" - 28 Spline



**Kit Options** \*Kits include the components shown with the following exceptions by Part Number.

Kit Number	Return Spring	Roller
08-105900		

### Shoes

Shoe Part No.	Shoe Size	Remarks	Refer to Page
4692HXS	7 1/2"	Not interchangeable w/Dana FC shoe	158

Brake Kits

Trailer axle - Q series (08-109300 Shown)



**01-378**  
Return Spring



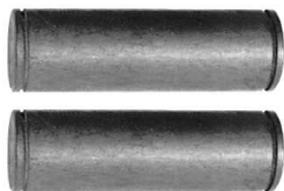
**01-370**  
Retainer Spring



**01-320**  
Spring Clip



**01-238**  
1 1/2"  
Roller



**01-271**  
Roller Pin



**01-434**  
Anchor Pin

**MASTER GROUP 95**  
1 5/8" Spider Journal,  
1 1/2"-28 Spline

.68"



**01-301**  
Roller Pin Lock



**02-219**  
Anchor Pin  
Bushing

**Kit Options** \*Kits include the components shown with the following exceptions by Part Number.

Kit Number	Return Spring	Roller
08-109300	01-378	01-223

**Shoes**

Shoe Part No.	Shoe Size	Remarks	Refer to Page
4670Q	7 1/2"	Not interchangeable w/Dexter PQ shoe	158

**Self-steer axle - SL/STL series (08-105600 Shown)**



**Kit Options** \*Kits include the components shown with the following exceptions by Part Number.

Kit Number	Return Spring	Roller
08-105600		

**Shoes**

Shoe Part No.	Shoe Size	Remarks	Refer to Page
6042SL	100mm (3.94")		158

Steer axle - HA series (08-116600 Shown)

Brake Kits



**01-384**  
Return Spring



**01-385**  
Retainer Spring



**01-202**  
1 1/2" Roller



**01-320**  
Spring Clip

**Kit Options** \*Kits include the components shown with the following exceptions by Part Number.

Kit Number	Return Spring	Roller
08-116600	01-384	01-202

**Shoes**

Shoe Part No.	Shoe Size	Remarks	Refer to Page
—	—		—



## Steer axle - EB & ES series (08-111300 Shown)



**01-358**  
Return Spring



**01-357**  
Retainer Spring

**MASTER GROUP 16**  
1 1/4" Spider Journal,  
1 1/4" - 10 Spline

**.99"**



**01-244**  
1 1/4" Roller

**Kit Options** \*Kits include the components shown with the following exceptions by Part Number.

Kit Number	Return Spring	Roller
08-111300	01-358	01-244

### Shoes

Shoe Part No.	Shoe Size	Remarks	Refer to Page
1308E	4"	EB Series	158
1443ES	4"	ES Series	159



Brake Kits

Steer axle - ES-II series (08-114700 Shown)



**01-375**  
Return Spring



**01-294**  
Roller Retainer



Install this end up →

**01-3481**  
Retainer Spring



**01-247**  
1 1/4" Roller

**Kit Options** \*Kits include the components shown with the following exceptions by Part Number.

Kit Number	Return Spring	Roller
08-114700	01-375	01-247

**Shoes**

Shoe Part No.	Shoe Size	Remarks	Refer to Page
4729E2	4"		159

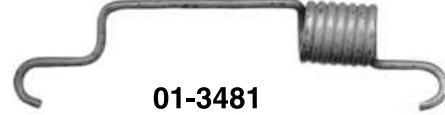
## Steer & Drive axle - ES-II series - reduced envelope (08-104400 Shown)



**01-340**  
Return Spring (Use with 6" shoe)



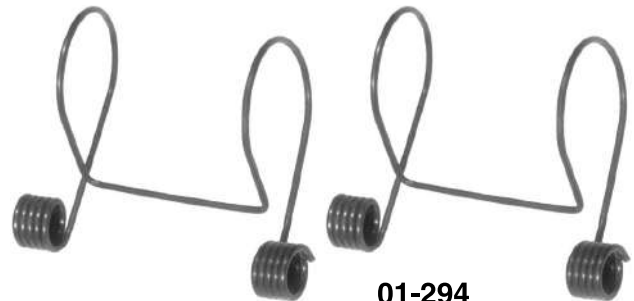
Install this end up →



**01-3481**  
Retainer Spring



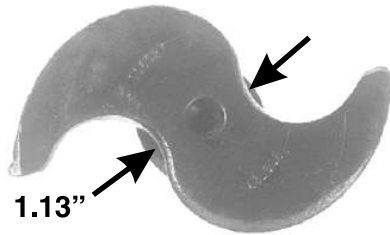
**01-247**  
1 1/4" Roller



**01-294**  
Roller Retainer

### MASTER GROUP 39

1 1/2" Spider Journal,  
1 1/2"- 10 Spline



1.13"

### ADDITIONAL COMPONENT OPTIONS



**01-347**  
Return Spring (Use with 8 5/8" shoe)

**Kit Options** \*Kits include the components shown with the following exceptions by Part Number.

Kit Number	Return Spring	Roller
08-104400	01-340	01-247
08-104430	01-347	01-247

### Shoes

Shoe Part No.	Shoe Size	Remarks	Refer to Page
4717E2	8 5/8"	08-104430 kit	159

## Trailer axle - HXS series (08-116000 Shown)

Brake Kits



**01-3696**  
Return Spring



**01-200**  
1 1/4" Roller



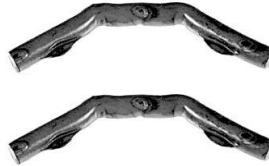
**01-370**  
Retainer Spring



**01-434**  
Anchor Pin



**02-219**  
Anchor Pin Bushing



**01-320**  
Spring Clip



**01-313**  
Roller Retainer

**MASTER GROUP 25**  
1 1/2" Spider Journal,  
1 1/2"- 28 Spline

**INTRAAX**

**MASTER GROUP 76**  
1 5/8" Spider Journal,  
1 1/2"- 28 Spline

**TRLAXLE**

**Kit Options** \*Kits include the components shown with the following exceptions by Part Number.

Kit Number	Return Spring	Roller
08-116000	01-3696	01-200

### Shoes

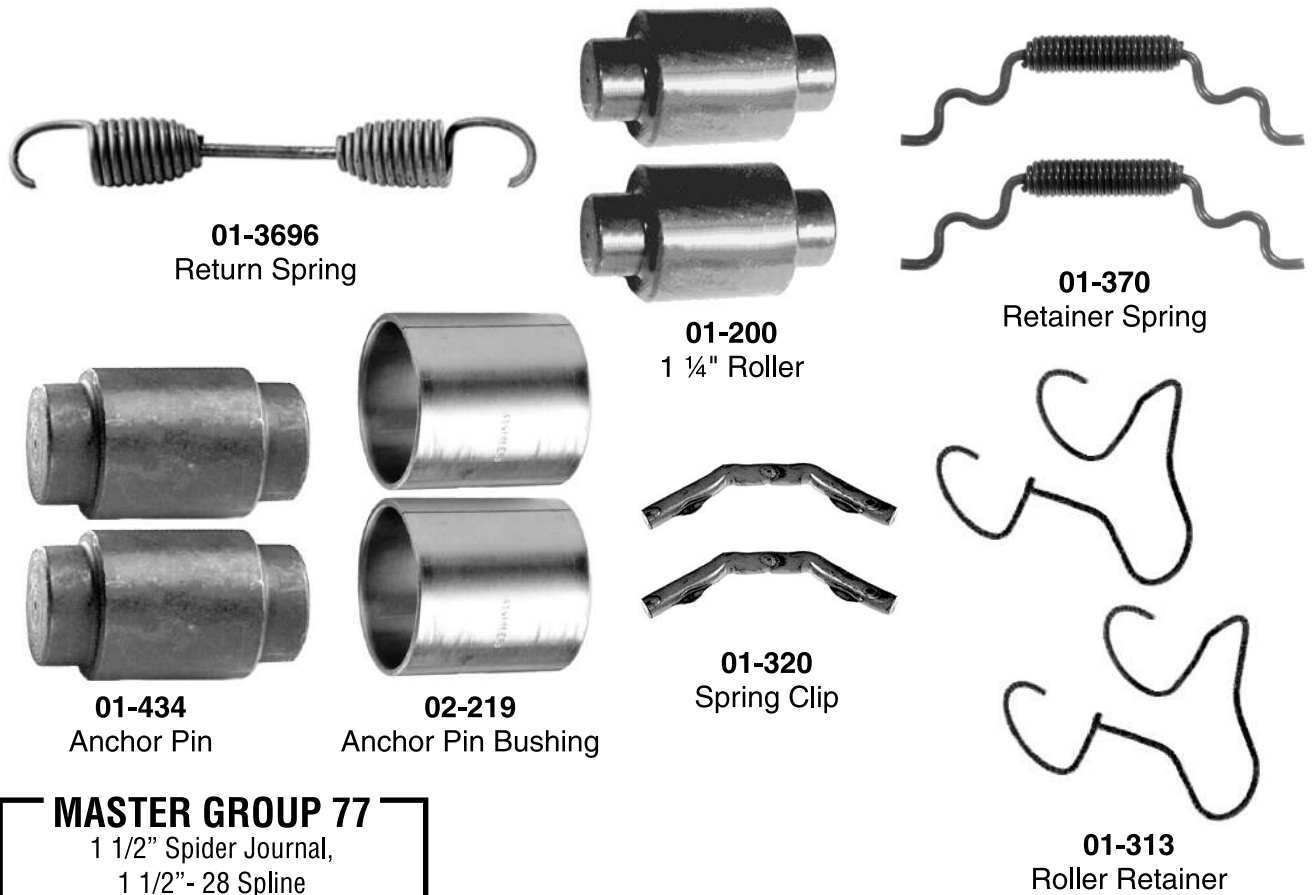
Shoe Part No.	Shoe Size	Remarks	Refer to Page
4710QP	8 5/8"	Not interchangeable w/ IMT shoe	159

# Brake Kits

15" Ingersoll

Brake Kits

## Trailer axle - Time series (08-116000 Shown)



**MASTER GROUP 77**  
1 1/2" Spider Journal,  
1 1/2" - 28 Spline

1"

**Kit Options** \*Kits include the components shown with the following exceptions by Part Number.

Kit Number	Return Spring	Roller
08-116000	01-3696	01-200

### Shoes

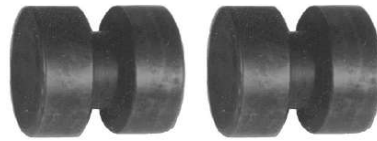
Shoe Part No.	Shoe Size	Remarks	Refer to Page
—	—		—

Steer axle - Q series (08-111100 Shown)

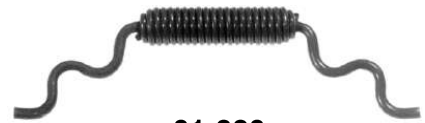
Brake Kits



**01-363**  
(1) Return Spring



**01-244**  
(2) 1 1/4" Roller



**01-380**  
(1) Retainer Spring



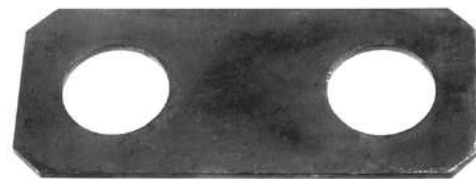
**01-451**  
(2) Anchor Pin



**01-477**  
(2) 3/4" Washer



**SLN-105**  
(2) 3/4"-16 Lock Nut



**01-478**  
(1) Anchor Pin Plate

**Kit Options** \*Kits include the components shown with the following exceptions by Part Number.

Kit Number	Return Spring	Anchor Pin
08-111100	01-363	01-451
08-111102	01-363	Less 01-451, 01-477, SLN-105

**Shoes**

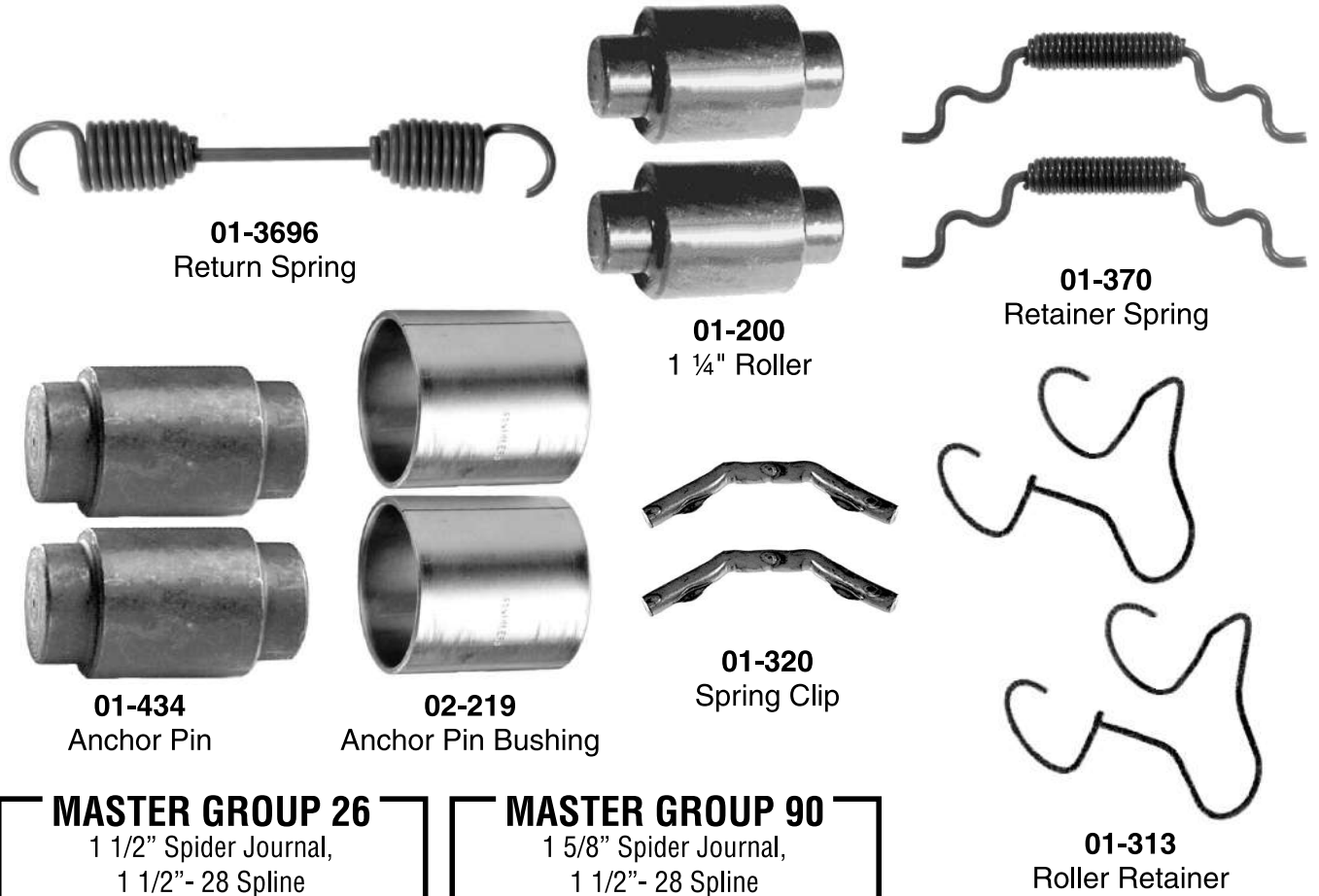
Shoe Part No.	Shoe Size	Remarks	Refer to Page
1308Q	4"		160

# Brake Kits

15" Rockwell

Brake Kits

## Steer, Drive, & Trailer axle - Q-Plus series (08-116000 Shown)



**MASTER GROUP 26**  
1 1/2" Spider Journal,  
1 1/2"- 28 Spline

1"  
**STEER & DRIVE**

**MASTER GROUP 90**  
1 5/8" Spider Journal,  
1 1/2"- 28 Spline

1"  
**TRAILER**

**Kit Options** \*Kits include the components shown with the following exceptions by Part Number.

Kit Number	Return Spring	Roller
08-116000	01-3696	01-200

### Shoes

Shoe Part No.	Shoe Size	Remarks	Refer to Page
4702QP	4"		160
4703QP	5"		160
4704QP	6"		160
4710QP	8 5/8"	Not interchangeable w/ IMT shoe	160

Steer axle - T series - 1 1/4" camshaft (08-110700 Shown)

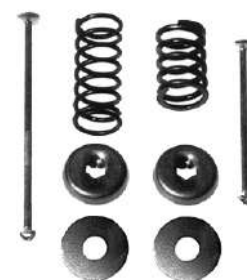
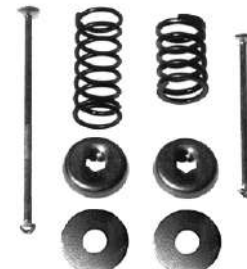
Brake Kits



**01-374**  
Return Spring



**01-244**  
1 1/4" Roller



**01-390**  
Hold Down Assembly



**01-437**  
Anchor Pin



**01-482**  
Anchor Pin Lock



**334-166**  
3/4" Washer



**SLN-105**  
3/4"-16 Lock Nut



**Kit Options** \*Kits include the components shown with the following exceptions by Part Number.

Kit Number	Return Spring	Anchor Pin
08-110700	01-374	01-437
08-110702	01-374	Less 01-437, 344-166, SLN-105

**Shoes**

Shoe Part No.	Shoe Size	Remarks	Refer to Page
1308T	4"	Cannot convert T series shoes to Q series	160



## Trailer axle - FC series (08-108800 Shown)



**01-369**  
Standard Return Spring



**01-320**  
Spring Clip



**01-370**  
Retainer Spring



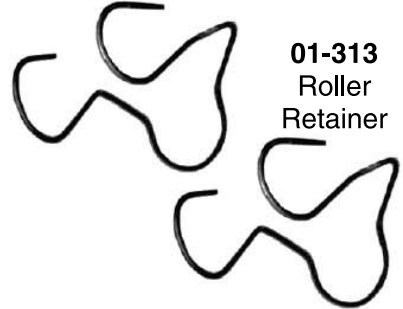
**01-434**  
Anchor Pin



**02-219**  
Anchor Pin Bushing



**01-200**  
1 1/4" Roller



**01-313**  
Roller Retainer

### ADDITIONAL COMPONENT OPTIONS



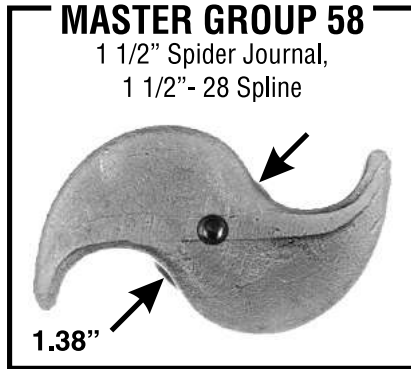
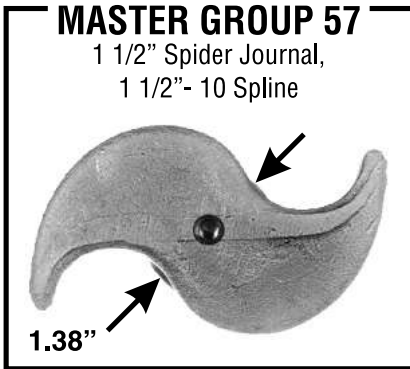
**01-379**  
Heavy Duty Return Spring



**01-322**  
Severe Service Return Spring



**01-234**  
1 1/4" Knurled Roller



**Kit Options** \*Kits include the components shown with the following exceptions by Part Number.

Kit Number	Return Spring	Roller	Kit Number	Return Spring	Roller
08-108800	01-369	01-200	08-108834	01-379	01-234
08-108804	01-369	01-234	08-108860	01-322	01-200
08-108830	01-379	01-200	08-108864	01-322	01-234

### Shoes

Shoe Part No.	Shoe Size	Remarks	Refer to Page
4515Q	7"		161



Trailer axle - Xtra-Life II series (08-108800 Shown)

Brake Kits



**01-369**  
Standard Return Spring



**01-320**  
Spring Clip



**01-370**  
Retainer Spring



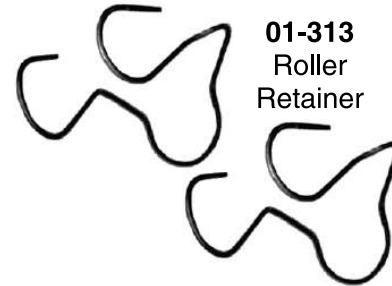
**01-434**  
Anchor Pin



**02-219**  
Anchor Pin Bushing



**01-200**  
1 1/4" Roller



**01-313**  
Roller Retainer

**MASTER GROUP 59**  
1 1/2" Spider Journal,  
1 1/2"- 10 Spline

1.10"

**MASTER GROUP 60**  
1 1/2" Spider Journal,  
1 1/2"- 28 Spline

1.10"

**MASTER GROUP 55**  
1 5/8" Spider Journal,  
1 1/2"- 10 Spline

1.13"

**MASTER GROUP 56**  
1 5/8" Spider Journal,  
1 1/2"- 28 Spline

1.13"

**ADDITIONAL COMPONENT OPTIONS**



**01-379**  
Heavy Duty Return Spring



**01-322**  
Severe Service Return Spring



**01-234**  
1 1/4" Knurled Roller

**Kit Options** \*Kits include the components shown with the following exceptions by Part Number.

Kit Number	Return Spring	Roller
08-108800	01-369	01-200
08-108804	01-369	01-234
08-108830	01-379	01-200

Kit Number	Return Spring	Roller
08-108834	01-379	01-234
08-108860	01-322	01-200
08-108864	01-322	01-234

**Shoes**

Shoe Part No.	Shoe Size	Remarks	Refer to Page
4707QP	7"		161

# Brake Kits

16 1/2" Eaton

Brake Kits

## Drive axle - ES series - cast shoe (08-115700 Shown)



**01-3863**  
Return Spring



**01-2056**  
1 1/4" Roller



**01-4903**  
Set Screw



**02-217**  
Anchor Pin Bushing



**01-303**  
Lock Pin



**01-2506**  
Roller Pin



**01-5002** Brake Shoe Bushing



**01-4244**  
Anchor Pin



**01-482**  
Anchor Pin Lock



**01-472**  
Anchor Pin Washer

**MASTER GROUP 39**  
1 1/2" Spider Journal,  
1 1/2"- 10 Spline

1.13"

### ADDITIONAL COMPONENT OPTION



**01-4245**  
Anchor Pin

**Kit Options** \*Kits include the components shown with the following exceptions by Part Number.

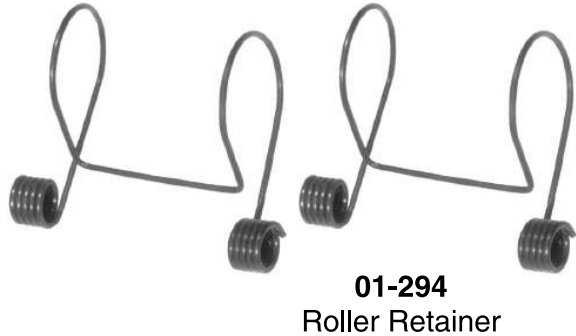
Kit Number	Return Spring	Anchor Pin
08-115700	01-3863	01-4244
08-115708	01-3863	01-4245
08-115703	01-3863	01-4244, Less 01-2056, 01-2506, 01-303, 01-5002

### Shoes

Shoe Part No.	Shoe Size	Remarks	Refer to Page
—	—		—

Steer, Drive, & Trailer axle - ES-II series (08-114900 Shown)

Brake Kits



**MASTER GROUP 39**  
1 1/2" Spider Journal,  
1 1/2"-10 Spline

1.13"  
STEER & DRIVE

**MASTER GROUP 74**  
1 5/8" Spider Journal,  
1 1/2"-28 Spline

1.13"  
TRAILER

**ADDITIONAL COMPONENT OPTION**

01-340  
Return Spring

**Kit Options** \*Kits include the components shown with the following exceptions by Part Number.

Kit Number	Return Spring	Roller
08-114900	01-3864	01-247
08-114920	01-340	01-247

**Shoes**

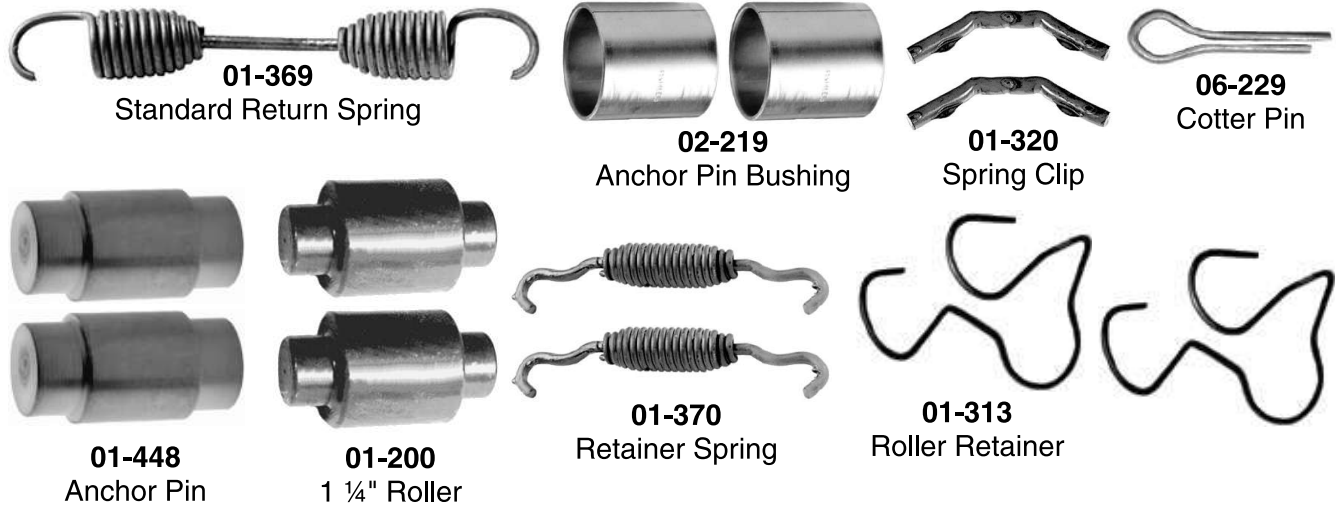
Shoe Part No.	Shoe Size	Remarks	Refer to Page
4719E2	5"		162
4725E2	6"		162
4709E2	7"		162
4726E2	8 5/8"		162

# Brake Kits

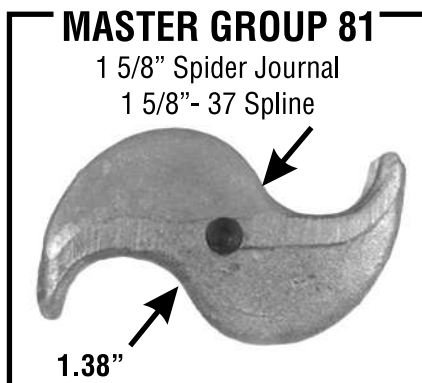
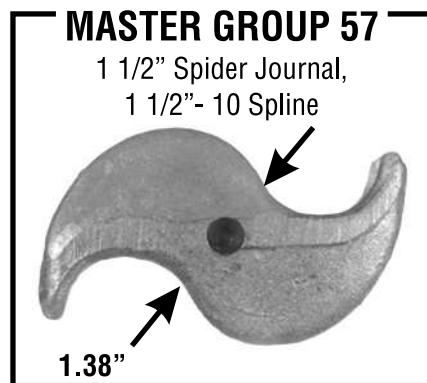
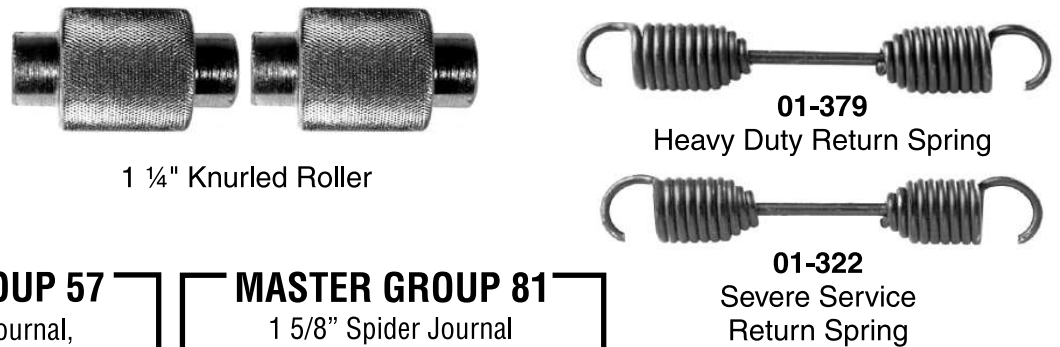
16 1/2" Fruehauf

Brake Kits

## Trailer axle - XEM-III series (08-109100 Shown)



### ADDITIONAL COMPONENT OPTIONS



**Kit Options** \*Kits include the components shown with the following exceptions by Part Number.

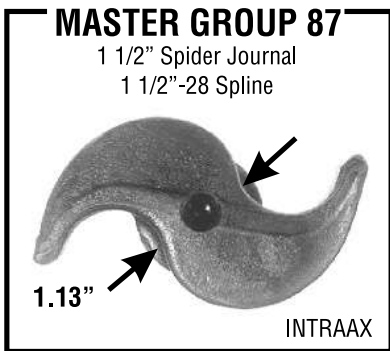
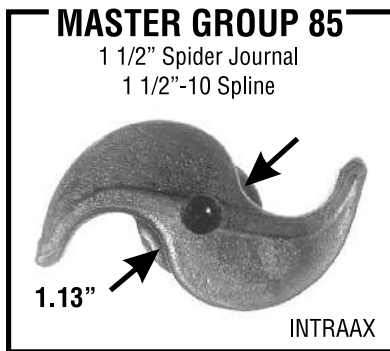
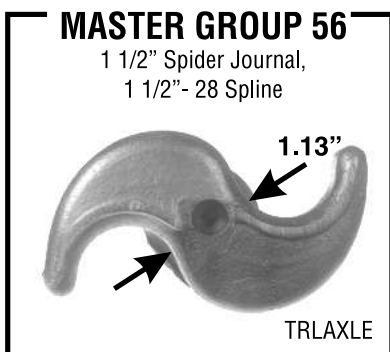
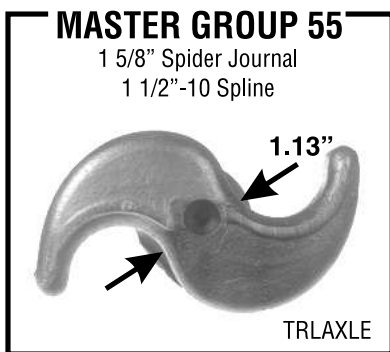
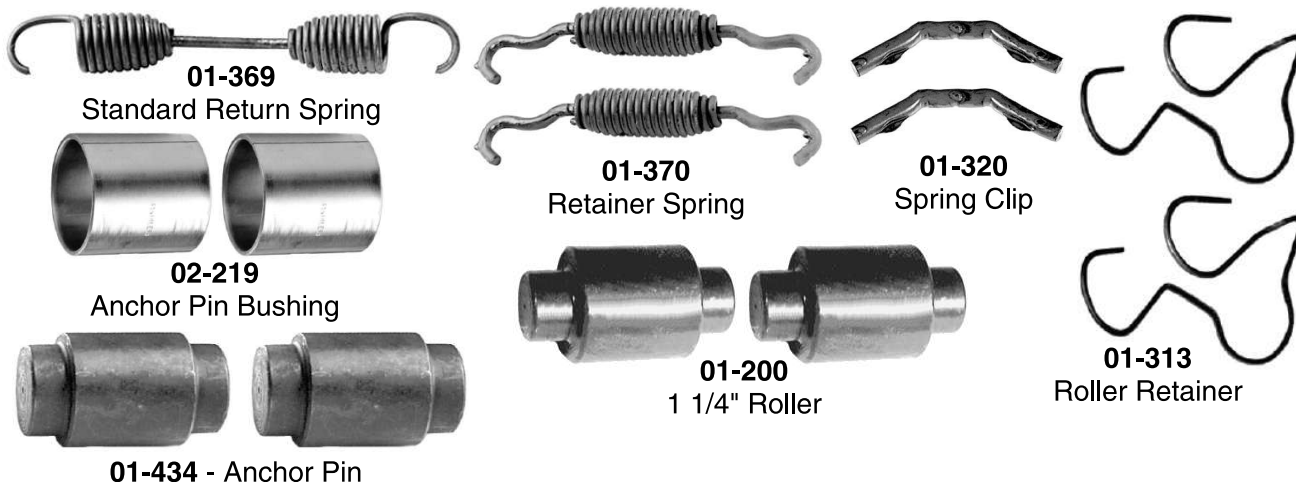
Kit Number	Return Spring	Roller	Kit Number	Return Spring	Roller
08-109100	01-369	01-200	08-109134	01-379	01-234
08-109104	01-369	01-234	08-109160	01-322	01-200
08-109130	01-379	01-200	08-109164	01-322	01-234

### Shoes

Shoe Part No.	Shoe Size	Remarks	Refer to Page
4515X	7"		162
4551XL	8 5/8"	Offset shoe - LH	162
4551XR	8 5/8"	Offset shoe - RH	162

Brake Kits

## Trailer axle - HXS series (08-108800 Shown)



### ADDITIONAL COMPONENT OPTIONS



**Kit Options** \*Kits include the components shown with the following exceptions by Part Number.

Kit Number	Return Spring	Roller	Kit Number	Return Spring	Roller
08-108800	01-369	01-200	08-108834	01-379	01-234
08-108804	01-369	01-234	08-108860	01-322	01-200
08-108830	01-379	01-200	08-108864	01-322	01-234

### Shoes

Shoe Part No.	Shoe Size	Remarks	Refer to Page
4707QP	7"	HXS Series	163
4711QP	8 5/8"	HXS Series	163



# Brake Kits

16 1/2" Hendrickson

Brake Kits

## Trailer axle - Standard series (08-108800 Shown)



**01-369**  
Standard Return Spring



**02-219**  
Anchor Pin Bushing



**01-434** - Anchor Pin



**01-370**  
Retainer Spring



**01-320**  
Spring Clip



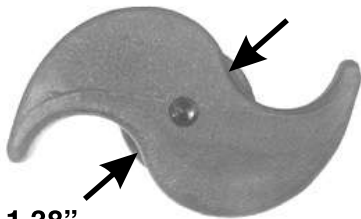
**01-313**  
Roller Retainer



**01-200**  
1 1/4" Roller

### MASTER GROUP 86

1 1/2" Spider Journal  
1 1/2"- 28 Spline



1.38"

INTRAAX

### ADDITIONAL COMPONENT OPTIONS



**01-379**  
Heavy Duty Return Spring



**01-322**  
Severe Service Return Spring



**01-234**  
1 1/4" Knurled Roller

**Kit Options** \*Kits include the components shown with the following exceptions by Part Number.

Kit Number	Return Spring	Roller	Kit Number	Return Spring	Roller
08-108800	01-369	01-200	08-108834	01-379	01-234
08-108804	01-369	01-234	08-108860	01-322	01-200
08-108830	01-379	01-200	08-108864	01-322	01-234

### Shoes

Shoe Part No.	Shoe Size	Remarks	Refer to Page
4515Q	7"		163

**Notes**

**Brake Kits**

**Brake Kits**

# Brake Kits

16 1/2" Rockwell

Brake Kits

## Steer & Drive axle - Cast-Plus series (08-126130 Shown)



**01-3751**  
Return Spring



**01-492**  
Anchor Pin Lock



**01-4908**  
Lock Bolt



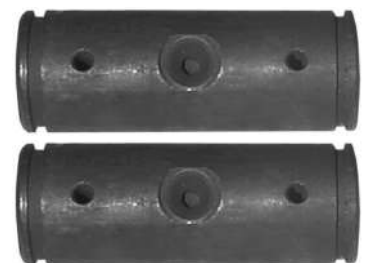
**01-2097**  
1 1/4" Roller



**01-472**  
Anchor Pin Washer



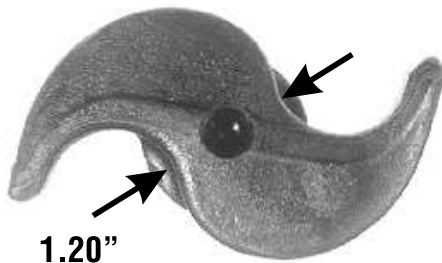
**02-217**  
Anchor Pin Bushing



**01-4245**  
Anchor Pin

### MASTER GROUP 48

1 1/2" Spider Journal,  
1 1/2"- 28 Spline



1.20"

**Kit Options** \*Kits include the components shown with the following exceptions by Part Number.

Kit Number	Return Spring	Roller
08-126130	01-3751	01-2097

### Shoes

Shoe Part No.	Shoe Size	Remarks	Refer to Page
4715CP	6"		163
4728CP	8 5/8"		163



Brake Kits

Drive axle - P series - cast shoe (08-109800 Shown)



01-323  
Return Spring



01-490  
Lock Bolt



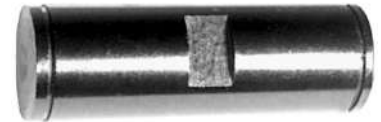
01-236  
1 5/8" Roller



02-217  
Anchor Pin Bushing



01-482 - Anchor Pin Lock



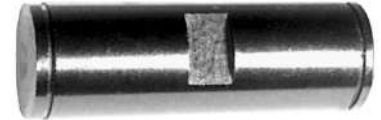
01-424  
Anchor Pin



01-509 - Brake Shoe Bushing

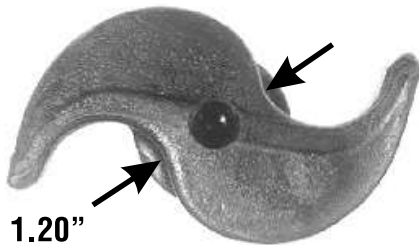


01-462 Anchor Pin Seal



**MASTER GROUP 48**

1 1/2" Spider Journal,  
1 1/2"- 28 Spline



**ADDITIONAL COMPONENT OPTIONS**



01-314  
Spring Clip



01-371  
Return Spring

**Kit Options** \*Kits include the components shown with the following exceptions by Part Number.

Kit Number	Return Spring	Roller
08-109800	01-323	01-236
08-109810	01-323	01-236, not inclu. 02-217

Kit Number	Return Spring	Roller
08-109830	01-371	01-236
08-109840	01-371	01-236, not inclu. 02-217

**Shoes**

Shoe Part No.	Shoe Size	Remarks	Refer to Page
4515PC	7"		164

# Brake Kits

16 1/2" Rockwell

Brake Kits

## Steer axle - Q-Plus series (08-111630 Shown)



**01-3751**  
Return Spring



**01-370**  
Retainer Spring



**01-320**  
Spring Clip



**01-313**  
Roller Retainer



**01-200**  
1 1/4" Roller



**02-219**  
Anchor Pin Bushing

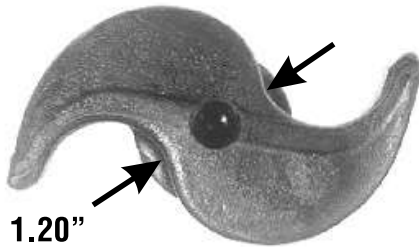


**01-434**  
Anchor Pin



### MASTER GROUP 48

1 1/2" Spider Journal,  
1 1/2"- 28 Spline



### ADDITIONAL COMPONENT OPTIONS



**01-234**  
1 1/4" Knurled Roller

**Kit Options** \*Kits include the components shown with the following exceptions by Part Number.

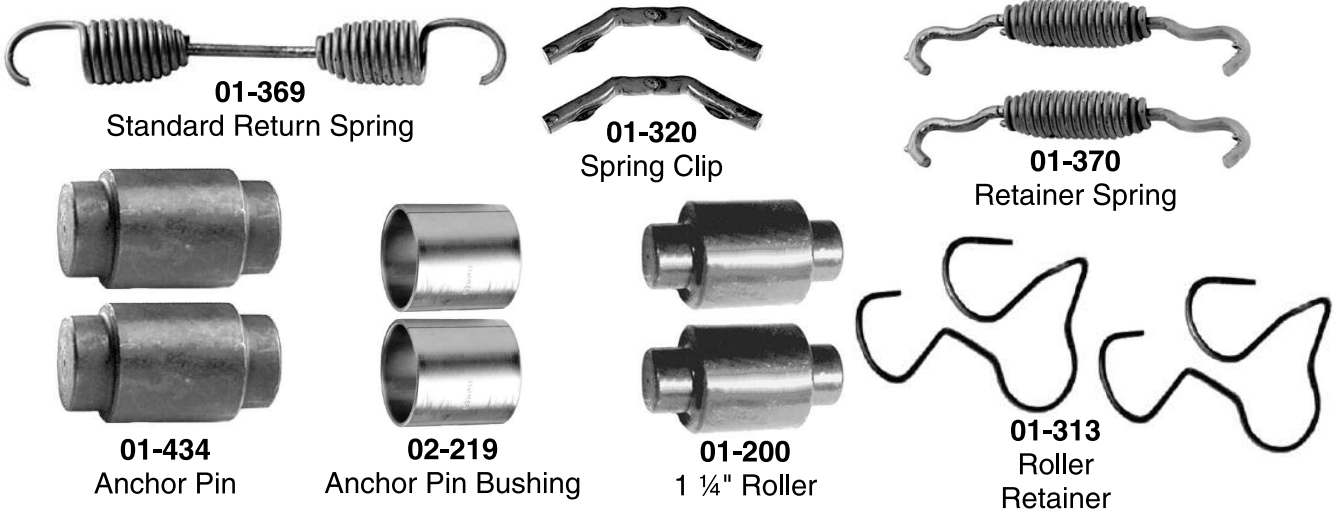
Kit Number	Return Spring	Roller
08-111630	01-3751	01-200
08-111635	01-3751	01-234

### Shoes

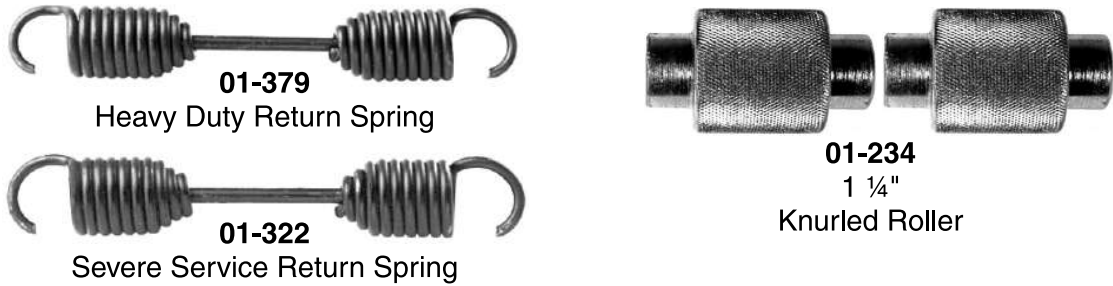
Shoe Part No.	Shoe Size	Remarks	Refer to Page
4720QP	5"		164
4715QP	6"		164

Brake Kits

Trailer axle - Q series (08-108800 Shown)



ADDITIONAL COMPONENT OPTIONS



**MASTER GROUP 57**  
 1 1/2" Spider Journal,  
 1 1/2"- 10 Spline

1.38"

**MASTER GROUP 89**  
 1 5/8" Spider Journal,  
 1 1/2"- 28 Spline

1.38"

**Kit Options** \*Kits include the components shown with the following exceptions by Part Number.

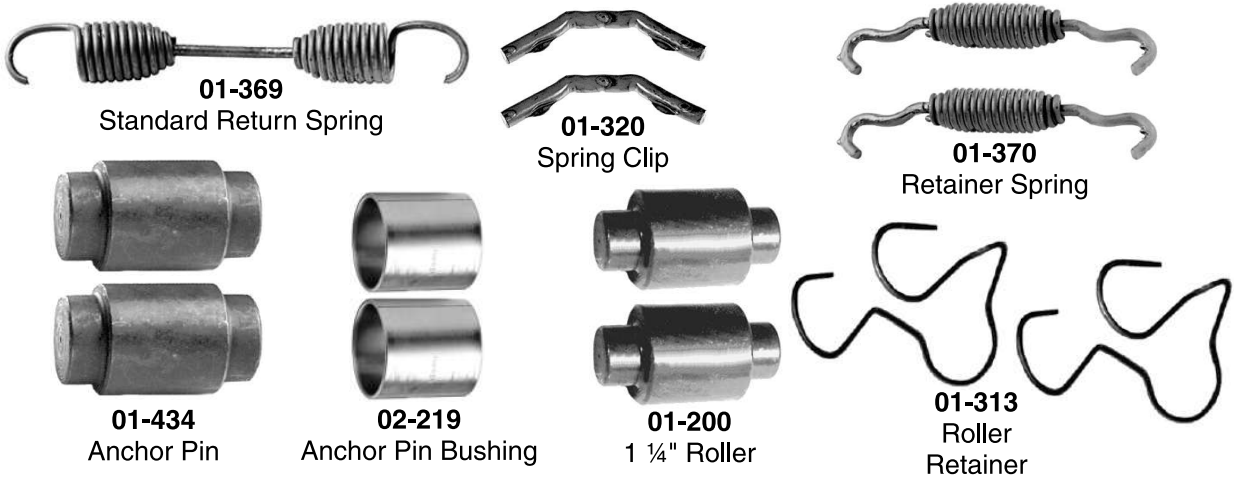
Kit Number	Return Spring	Roller
08-108800	01-369	01-200
08-108804	01-369	01-234
08-108830	01-379	01-200

Kit Number	Return Spring	Roller
08-108834	01-379	01-234
08-108860	01-322	01-200
08-108864	01-322	01-234

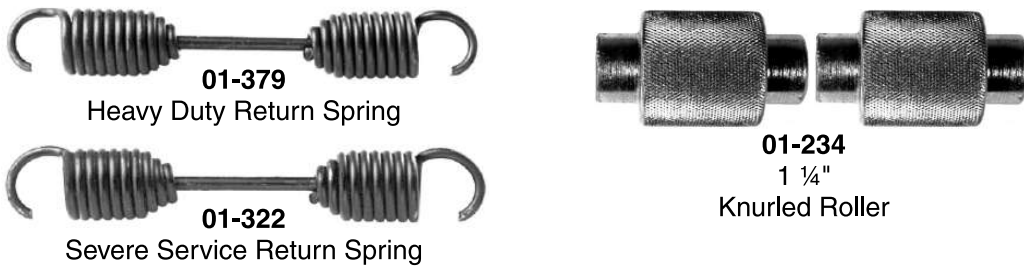
Shoes

Shoe Part No.	Shoe Size	Remarks	Refer to Page
4515Q	7"	Q Series	164
4551Q	8 5/8"	Q Series	164

## Steer, Drive, & Trailer axle - Q-Plus series



### ADDITIONAL COMPONENT OPTIONS



**Kit Options** \*Kits include the components shown with the following exceptions by Part Number.

Kit Number	Return Spring	Roller	Kit Number	Return Spring	Roller
08-108800	01-369	01-200	08-108834	01-379	01-234
08-108804	01-369	01-234	08-108860	01-322	01-200
08-108830	01-379	01-200	08-108864	01-322	01-234

### Shoes

Shoe Part No.	Shoe Size	Remarks	Refer to Page
4720QP	5"		164
4715QP	6"		164/165
4707QP	7"		165
4718QP	8"		165
4711QP	8 5/8"		165

Trailer axle - Integra series (08-108800 Shown)

Brake Kits



**01-369**  
Standard Return Spring



**01-320**  
Spring Clip



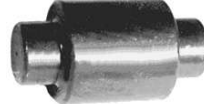
**01-370**  
Retainer Spring



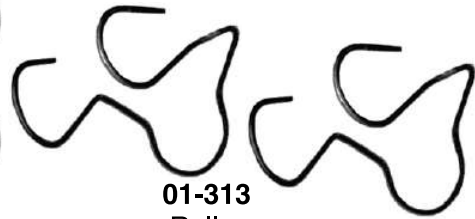
**01-434**  
Anchor Pin



**02-219**  
Anchor Pin Bushing



**01-200**  
1 1/4" Roller



**01-313**  
Roller Retainer

ADDITIONAL COMPONENT OPTIONS



**01-379**  
Heavy Duty Return Spring



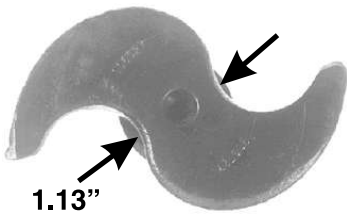
**01-234**  
1 1/4"  
Knurled Roller



**01-322**  
Severe Service Return Spring

MASTER GROUP 50

1 1/2" Spider Journal,  
1 1/2"- 28 Spline



Kit Options \*Kits include the components shown with the following exceptions by Part Number.

Kit Number	Return Spring	Roller
08-108800	01-369	01-200
08-108804	01-369	01-234
08-108830	01-379	01-200

Kit Number	Return Spring	Roller
08-108834	01-379	01-234
08-108860	01-322	01-200
08-108864	01-322	01-234

Shoes

Shoe Part No.	Shoe Size	Remarks	Refer to Page
4707QP	7"		165

# Brake Kits

420mm BPW

Brake Kits

## Trailer axle - R9000 series (08-115015 Shown)



**Kit Options** \*Kits include the components shown with the following exceptions by Part Number.

Kit Number	Return Spring	Roller
08-115015		

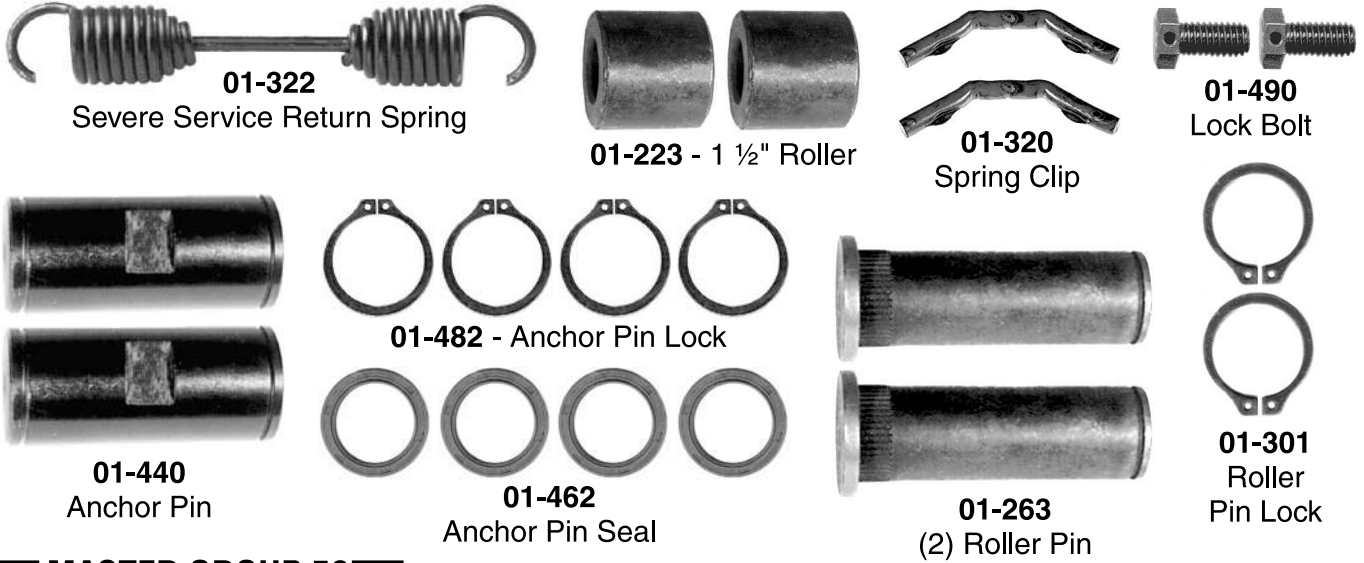
### Shoes

Shoe Part No.	Shoe Size	Remarks	Refer to Page
1477BPW	180mm		165



Brake Kits

Trailer axle - FT series (08-109560 Shown)



**MASTER GROUP 58**  
1 1/2" Spider Journal,  
1 1/2"- 28 Spline

1.38"

ADDITIONAL COMPONENT OPTION



**Kit Options** \*Kits include the components shown with the following exceptions by Part Number.

Kit Number	Return Spring	Roller
08-109560	01-322	01-223
08-109561	01-322	01-245

**Shoes**

Shoe Part No.	Shoe Size	Remarks	Refer to Page
—	—	Shoes not available	—

# Brake Kits

18" Eaton

Brake Kits

## Drive axle - EB series - cast shoe (08-109600 Shown)



**01-360**  
Return Spring



**01-361**  
Retainer Spring



**01-215**  
1 5/8" Roller



**01-264**  
Roller Pin

**MASTER GROUP 39**  
1 1/2" Spider Journal,  
1 1/2"- 10 Spline

1.13"

**Kit Options** \*Kits include the components shown with the following exceptions by Part Number.

Kit Number	Return Spring	Roller
08-109600	01-360	01-215

### Shoes

Shoe Part No.	Shoe Size	Remarks	Refer to Page
—	—	Shoes not available	—



Drive axle - P series - cast shoe (08-109800 Shown)

Brake Kits



**MASTER GROUP 48**  
1 1/2" Spider Journal,  
1 1/2"- 28 Spline

1.20"

ADDITIONAL COMPONENT OPTIONS



**Kit Options** \*Kits include the components shown with the following exceptions by Part Number.

Kit Number	Return Spring	Roller	Kit Number	Return Spring	Roller
08-109800	01-323	01-236	08-109830	01-371	01-236
08-109810	01-323	01-236, not inclu. 02-217	08-109840	01-371	01-236 not inclu. 02-217

Shoes

Shoe Part No.	Shoe Size	Remarks	Refer to Page
—	—	Shoes not available	—

## Trailer axle - FT series (08-108600 Shown)



**01-353**  
Return Spring



**Grease Zerk**



**01-230**  
1 5/8" Roller



**01-269**  
Roller Pin



**01-489**  
Anchor Pin Lock



**01-433**  
Anchor Pin



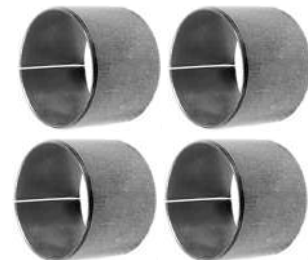
**04-310**  
Anchor Pin Lock



**02-312**  
Anchor Pin Seal



**01-490**  
Lock Bolt



**01-519**  
Brake Shoe Bushing

**Kit Options** \*Kits include the components shown with the following exceptions by Part Number.

Kit Number	Return Spring	Roller
08-108600	01-353	01-230

### Shoes

Shoe Part No.	Shoe Size	Remarks	Refer to Page
—	—	Shoes not available	—



## Dayton Parts CV23 New Lined Shoes

- OE grade steel
- Hardened roller openings
- Manufactured to OE specifications
- Meets 2025 “N” leaf specifications for  $\leq 0.5\%$  by weight copper content
- R90 compliant
- Passed FMVSS-121 test standards
- Edge code color RED

**CV23** – A 23k rated premium grade material for on or off-highway applications with moderate to severe braking cycles. Comparable to:

Abex 6098  
Marathon HS  
Stemco BRT

## Dayton Parts CV21 New Lined Shoes

- OE grade steel
- Hardened roller openings
- Manufactured to OE specifications
- Meets 2025 “N” leaf specifications for  $\leq 0.5\%$  by weight copper content
- R90 compliant
- Passed FMVSS-121 test standards
- Edge code color BLUE

**CV21** – A 21k rated premium grade material for on or off-highway applications with moderate to severe braking cycles. Comparable to:

Abex 6008-1  
Fras-Le AF550  
Haldex GR2015  
Marathon HS20  
Meritor MG1  
Stemco CXL

## Dayton Parts DP23 New Lined Shoes

- High grade steel
- Shoe tables are stitch and puddle welded
- Shoes made to aftermarket specifications
- Meets 2025 “N” leaf specifications for  $\leq 0.5\%$  by weight copper content
- Passed FMVSS-121 test standards
- Edge code color BROWN

**DP23** – A 23k rated premium grade material for on-highway applications with regular to moderate braking cycles. Comparable to:

Abex 685  
Fras-Le AF557  
Haldex GG2020  
Marathon FLOE  
Meritor MG2  
Stemco VHP

## Dayton Parts DS23 New Lined Shoes

- High grade steel
- Shoe tables are stitch and puddle welded
- Shoes made to aftermarket specifications
- Meets 2025 “N” leaf specifications for  $\leq 0.5\%$  by weight copper content
- Passed FMVSS-121 test standards
- Edge code color GREEN

**DS23** – A 23k rated standard grade material for on-highway applications with regular braking cycles. Comparable to:

Abex 6149  
Fras-Le 555  
Haldex GD2016  
Marathon FS23  
Meritor MA312  
Stemco SP23



Dayton Parts offers different grades of brake kits for the popular applications.

The difference in the specifications of the main components for each grade of brake kit are outlined below.

### OE Equivalent — Best

Induction hardened pins & rollers  
Shot peened music wire springs  
302 stainless steel bushings

### Cost-Plus — Better

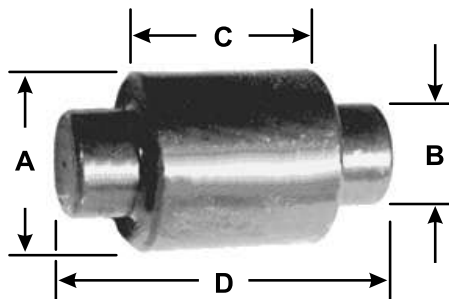
Induction hardened pins & rollers  
Oil tempered wire springs  
430 stainless steel bushings

### Economy — Good

Induction hardened pins & rollers  
Hard drawn wire springs  
1018 mild steel bushings

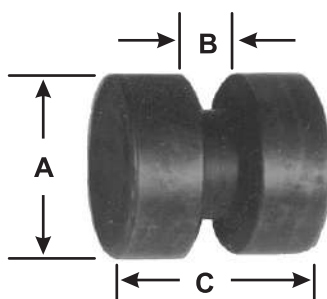
Application	OE Equivalent Kit Number	Cost-Plus Kit Number	Economy Kit Number
12.25" Dex PQ	08-104700	4591DX00	—
12.25" Dan FC-111	08-104900	4692FC00	—
15" Eat ES	08-111300	1308E00	1308EBG
15" Roc Q	08-111100	1308Q00	—
15" Roc Q - no pins	08-111102	1308Q02	—
15" Roc Q+	08-116000	4702Q00	4702QPBG
15" Roc T	08-110700	1308T00	—
15" Roc T - no pins	08-110702	1308T02	—
16.5" Eat EB	08-104200	431101	4311EBG
16.5" Eat ES2	08-114900	470902	4709E2BG
16.5" Eat ES2 - steer	08-114920	470920	—
16.5" Fru XEM	08-109130	4515X31	4515X3BG
16.5" Roc Q+	08-108830	4515Q30	4707QPBG
16.5" Roc Q+ - steer	08-111630	4524MQ30	—

## Rollers



### Type 1

Dim. A	Dim. B	Dim. C	Dim D.	Part No.	Finish	Application	Kit No.	Page
1.00	0.75	1.31	2.25	01-227	Phos & Oil	12 ¼ Fru F	08-1077xx	176
1.25	0.75	0.96	2.33	01-2097	Phos & Oil	16 ½ Roc Cast-Plus	08-1261xx	197
1.25	0.75	1.31	2.25	01-200	Phos & Oil	15 Hen HXS	08-1160xx	184
						15 Ing Time	08-1160xx	185
						15 Roc Q-Plus	08-1160xx	187
						16 ½ Dan FC	08-1088xx	189
						16 ½ Dan Xtra-Life II	08-1088xx	190
						16 ½ Fru XEM-III	08-1091xx	193
						16 ½ Hen HXS	08-1088xx	194
						16 ½ Hen Standard	08-1088xx	195
						16 ½ Roc Q	08-1088xx	200
						16 ½ Roc Q-Plus	08-1088xx	199
						16 ½ Roc Q-Plus - steer	08-1116xx	201
16 ½ Wat Integra	08-1088xx	202						
1.25	0.75	1.31	2.25	01-234	Zinc Clear	01-200 knurled version	—	
1.25	0.81	1.25	2.15	01-247	Zinc Yellow	15 Eat ES-II - reduced envelope	08-1044xx	183
						15 Eat ES-II	08-1147xx	182
						16 ½ Eat ES-II	08-1149xx	192
1.37	0.75	1.31	2.25	01-201	Phos & Oil	01-200 - ½ oversize	—	
1.50	0.75	1.31	2.25	01-202	Phos & Oil	12 ¼ Dan FC	08-1057xx	171
						12 ¼ Dan FC-111	08-1049xx	172
						15 Dan HA	08-1166xx	180
1.62	0.75	0.93	2.21	01-236	Phos & Oil	16 ½ Roc P - cast shoe	08-1098xx	198
						18 Roc P - cast shoe	08-1098xx	206

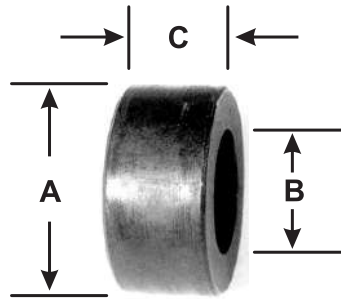


### Type 2

Dim. A	Dim. B	Dim. C	Dim D.	Part No.	Finish	Application	Kit No.	Page
1.25	0.37	1.31	—	01-244	Phos & Oil	15 Eat EB	08-1113xx	181
						15 Eat ES	08-1113xx	181
						15 Roc Q	08-1111xx	186
						15 Roc T	08-1107xx	188

# Brake Shoe Components

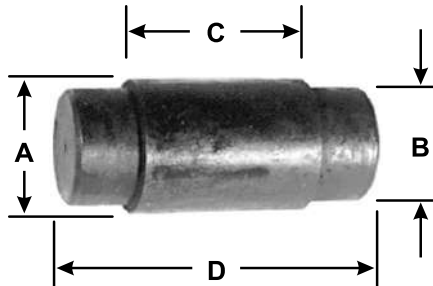
# Brake Rollers and Pins



### Type 3

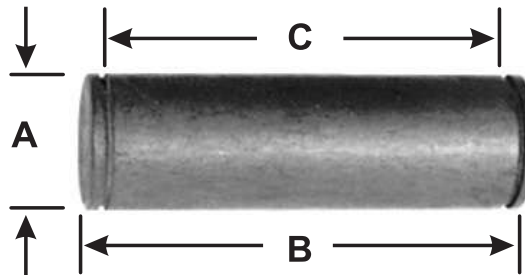
Dim. A	Dim. B	Dim. C	Dim D.	Part No.	Finish	Application	Kit No.	Page
1.25	0.75	1.12	—	<b>01-2056</b>	Phos & Oil	16 ½ Eat ES cast shoe	08-1157xx	191
1.25	0.75	1.37	—	<b>01-245</b>	Phos & Oil	18 Dan FT	08-1095xx	204
1.50	0.75	1.37	—	<b>01-223</b>	Phos & Oil	12 ¼ Dan FT - bolt-on spider 12 ¼ Dan FT - weld-on spider 12 ¼ Dex PQ 12 ¼ Roc Q 18 Dan FT	08-1075xx 08-1074xx 08-1047xx 08-1093xx 08-1095xx	173 174 175 178 204
1.62	0.93	1.25	—	<b>01-215</b>	Phos & Oil	18 Eat EB	08-1096xx	205
1.75	1.00	0.93	—	<b>01-230</b>	Phos & Oil	20 Dan FT - cast shoe	08-1086xx	207

### Roller Pins



### Type 1

Dim. A	Dim. B	Dim. C	Dim D.	Part No.	Finish	Application	Kit No.	Page
0.93	0.81	1.25	2.15	<b>01-264</b>	Phos & Oil	18 Eat EB	08-1096xx	205



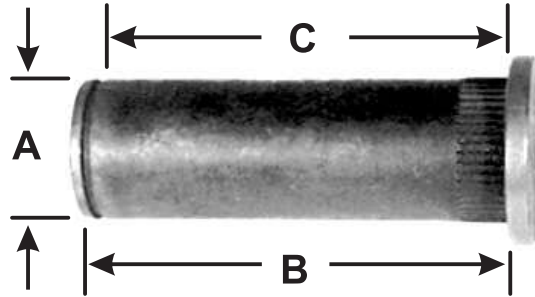
### Type 2

Dim. A	Dim. B	Dim. C	Dim D.	Part No.	Finish	Application	Kit No.	Page
0.75	2.62	2.18	—	<b>01-271</b>	Phos & Oil	12 ¼ Roc Q	08-1093xx	178
1.00	2.81	2.53	—	<b>01-269</b>	Phos & Oil	20 Dan FT	08-1086xx	207

# Roller Pins

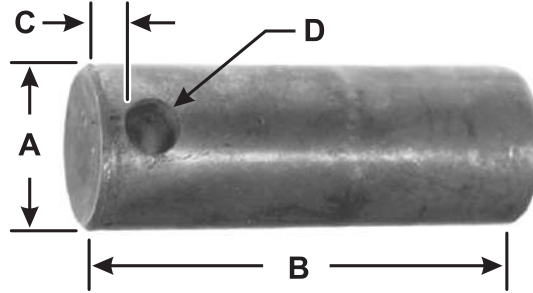
# Brake Shoe Components

Brake Shoe Components



Type 3

Dim. A	Dim. B	Dim. C	Dim D.	Part No.	Finish	Application	Kit No.	Page
0.75	2.31	2.21	—	<b>01-263</b>	Phos & Oil	12 ¼ Dan FT - bolt-on spider 12 ¼ Dan FT - weld-on spider 12 ¼ Dex PQ 18 Dan FT	08-1075xx 08-1074xx 08-1047xx 08-1095xx	173 174 175 204



Type 4

Dim. A	Dim. B	Dim. C	Dim D.	Part No.	Finish	Application	Kit No.	Page
0.75	2.06	0.06	0.25	<b>01-2506</b>	Phos & Oil	16 ½ Eat ES - cast shoe	08-1157xx	191

## Roller Retainers



### Type 1

Part No.	Application	Kit No.	Page
01-300	12 ¼ Dan FC	08-1057xx	171
	12 ¼ Dan FC-111	08-1049xx	172



### Type 2

Part No.	Application	Kit No.	Page
01-313	15 Hen HXS	08-1160xx	184
	15 Ing Time	08-1160xx	185
	15 Roc Q-Plus	08-1160xx	187
	16 ½ Dan FC	08-1088xx	189
	16 ½ Dan Xtra-Life II	08-1088xx	190
	16 ½ Fru XEM-III	08-1091xx	193
	16 ½ Hen HXS	08-1088xx	194
	16 ½ Hen Standard	08-1088xx	195
	16 ½ Roc Q	08-1088xx	200
	16 ½ Roc Q-Plus	08-1088xx	199
	16 ½ Roc Q-Plus - steer	08-1116xx	201
	16 ½ Wat Integra	08-1088xx	202



### Type 3

Part No.	Application	Kit No.	Page
01-294	15 Eat ES-II	08-1147xx	182
	15 Eat ES-II - reduced envelope	08-1044xx	183
	16 ½ Eat ES-II	08-1149xx	192



### Type 4

Part No.	Application	Kit No.	Page
01-310	12 ¼ Fru F	08-1077xx	176



# Roller Drive Pins Roller Pin Locks

# Brake Shoe Components

Brake Shoe Components

## Roller Drive Pins



### Type 1

Part No.	Application	Kit No.	Page
01-303	16 1/2 Eat ES - cast shoe	08-1157xx	191

## Roller Pin Locks



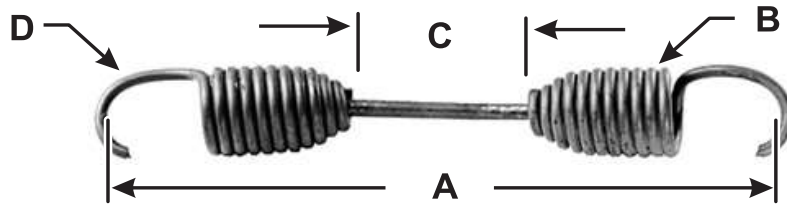
### Type 1

Part No.	Application	Kit No.	Page
01-301	12 1/4 Dan FT - bolt-on spider	08-1075xx	173
	12 1/4 Dan FT - weld-on spider	08-1074xx	174
	12 1/4 Dex PQ	08-1047xx	175
	12 1/4 Roc Q	08-1093xx	178
	18 Dan FT	08-1095xx	204
01-489	20 Dan FT	08-1086xx	207

# Brake Shoe Components

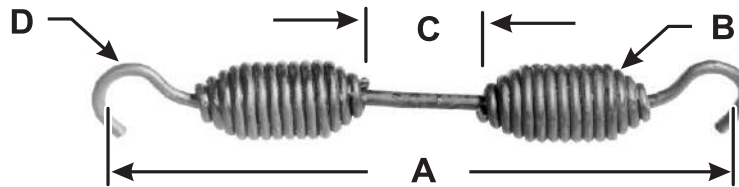
# Return Springs

## Return Springs



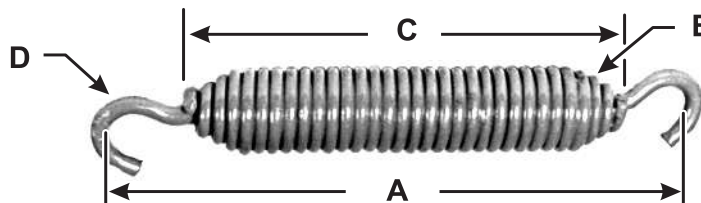
### Type 1

Dim. A	Dim. B	Dim. C	Dim D.	Part No.	Finish	Application	Kit No.	Page						
6.62	1.00	1.15	0.165	<b>01-330</b>	Blue	12 ¼ Dan FC	08-1057xx	171						
						12 ¼ Dan FC-111	08-1049xx	172						
						12 ¼ Dan FT - bolt-on spider	08-1075xx	173						
						12 ¼ Dan FT - weld-on spider	08-1074xx	174						
						12 ¼ Dex PQ	08-1047xx	175						
6.62	1.25	1.00	0.207	<b>01-3863</b>	Orange	16 ½ Eat ES - cast shoe	08-1157xx	191						
6.81	1.12	1.75	0.148	<b>01-378</b>	Blue	12 ¼ Roc Q	08-1093xx	178						
7.06	1.06	1.75	0.15	<b>01-350</b>	Black	12 ¼ Fru F	08-1077xx	176						
7.12	1.25	0.87	0.225	<b>01-353</b>	Blue	20 Dan FT	08-1086xx	207						
7.21	0.84	0.68	0.127	<b>01-358</b>	Black	15 Eat EB	08-1113xx	181						
						15 Eat ES	08-1113xx	181						
7.37	0.87	1.00	0.125	<b>01-374</b>	Green	15 Roc T	08-1107xx	188						
7.68	0.81	1.00	0.147	<b>01-363</b>	Black	15 Roc Q	08-1111xx	186						
8.00	1.25	2.31	0.192	<b>01-322</b>	Black	16 ½ Dan FC	08-1088xx	189						
						16 ½ Dan Xtra-Life II	08-1088xx	190						
						16 ½ Fru XEM-III	08-1091xx	193						
						16 ½ Hen HXS	08-1088xx	194						
						16 ½ Hen Standard	08-1088xx	195						
						16 ½ Roc Q	08-1088xx	200						
						16 ½ Roc Q-Plus	08-1088xx	201						
						16 ½ Wat Integra	08-1088xx	202						
						18 Dan FT	08-1095xx	204						
						8.25	1.12	2.75	0.162	<b>01-3696</b>	Gray	15 Hen HXS	08-1160xx	184
												15 Ing Time	08-1160xx	185
15 Roc Q-Plus	08-1160xx	187												
8.37	1.12	2.25	0.162	<b>01-369</b>	Orange	16 ½ Dan FC	08-1088xx	189						
						16 ½ Dan Xtra-Life II	08-1088xx	190						
						16 ½ Fru XEM-III	08-1091xx	193						
						16 ½ Hen HXS	08-1088xx	194						
						16 ½ Hen Standard	08-1088xx	195						
						16 ½ Roc Q	08-1088xx	200						
						16 ½ Roc Q-Plus	08-1088xx	201						
						16 ½ Wat Integra	08-1088xx	202						
8.37	1.25	2.25	0.192	<b>01-379</b>	Brown	16 ½ Dan FC	08-1088xx	189						
						16 ½ Dan Xtra-Life II	08-1088xx	190						
						16 ½ Fru XEM-III	08-1091xx	193						
						16 ½ Hen HXS	08-1088xx	194						
						16 ½ Hen Standard	08-1088xx	195						
						16 ½ Roc Q	08-1088xx	200						
						16 ½ Roc Q-Plus	08-1088xx	201						
						16 ½ Wat Integra	08-1088xx	202						
9.12	1.12	3.00	0.162	<b>01-375</b>	Brown	15 Eat ES-II	08-1147xx	182						
10.12	1.12	2.87	0.192	<b>01-347</b>	White	15 Eat ES-II - reduced envelope	08-1044xx	183						
10.84	1.12	3.75	0.192	<b>01-3864</b>	Gray	16 ½ Eat ES-II	08-1149xx	192						



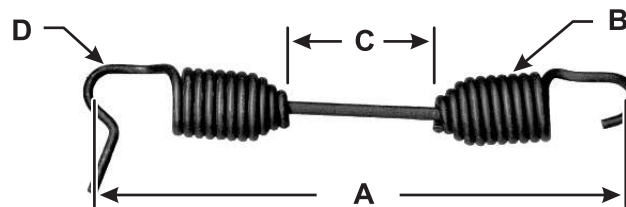
**Type 2**

Dim. A	Dim. B	Dim. C	Dim D.	Part No.	Finish	Application	Kit No.	Page
8.93	1.12	1.43	0.162	01-323	Black	16 1/2 Roc P - cast shoe 18 Roc P - cast shoe	08-1098xx 08-1098xx	198 206



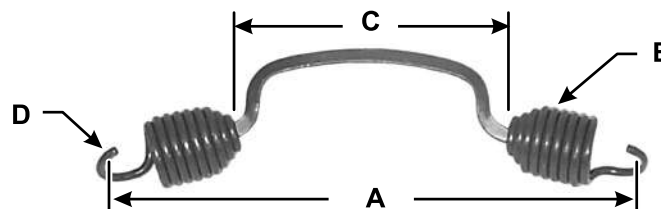
**Type 3**

Dim. A	Dim. B	Dim. C	Dim D.	Part No.	Finish	Application	Kit No.	Page
6.00	0.75	4.00	0.142	01-371	Green	16 1/2 Roc P - cast shoe 18 Roc P - cast shoe	08-1098xx 08-1098xx	198 206
11.37	1.25	8.50	0.225	01-360	Green	18 Eat EB	08-1096xx	205



**Type 4**

Dim. A	Dim. B	Dim. C	Dim D.	Part No.	Finish	Application	Kit No.	Page
8.31	1.12	2.37	0.162	01-384	Blue	15 Dan HA	08-1166xx	180



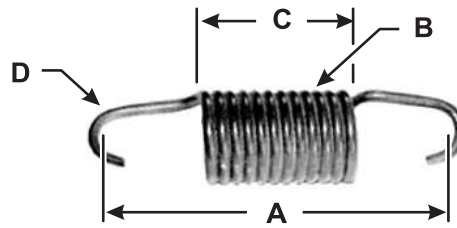
**Type 5**

Dim. A	Dim. B	Dim. C	Dim D.	Part No.	Finish	Application	Kit No.	Page
9.00	1.12	4.37	0.162	01-3751	Green	16 1/2 Roc Cast-Plus 16 1/2 Roc Q-Plus - steer	08-1261xx 08-1116xx	197 199

# Brake Shoe Components

# Return Springs Retainer Springs

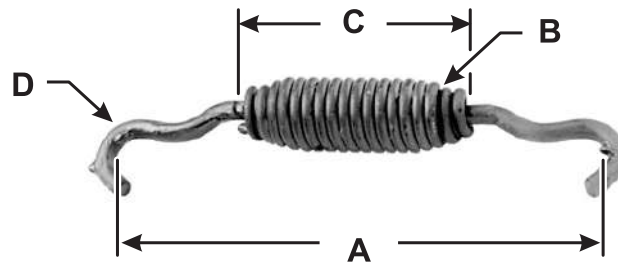
## Return Springs - continued



### Type 6

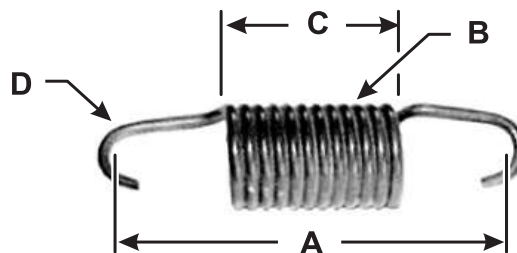
Dim. A	Dim. B	Dim. C	Dim. D	Part No.	Finish	Application	Kit No.	Page
3.50	1.15	2.00	0.185	<b>01-340</b>	Red	15 Eat ES-II 16 ½ Eat ES-II	08-1044xx 08-1149xx	182 192

## Retainer Springs



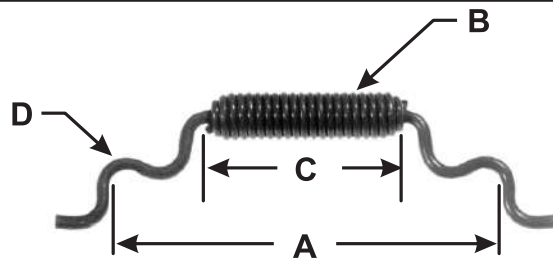
### Type 1

Dim. A	Dim. B	Dim. C	Dim. D	Part No.	Finish	Application	Kit No.	Page
5.25	0.68	2.37	0.211	<b>01-385</b>	Blue	15 Dan HA	08-1166xx	180
5.50	0.75	2.37	0.211	<b>01-370</b>	Orange	12 ¼ Dan FC-111 12 ¼ Dex PQ 12 ¼ Roc Q 15 Hen HXS 15 Ing Time 15 Roc Q-Plus 16 ½ Dan FC 16 ½ Dan Xtra-Life II 16 ½ Fru XEM-III 16 ½ Hen HXS 16 ½ Hen Standard 16 ½ Roc Q 16 ½ Roc Q-Plus 16 ½ Roc Q-Plus - steer 16 ½ Wat Integra	08-1049xx 08-1047xx 08-1093xx 08-1160xx 08-1160xx 08-1160xx 08-1088xx 08-1088xx 08-1091xx 08-1088xx 08-1088xx 08-1088xx 08-1116xx 08-1088xx	172 175 178 184 185 187 189 190 193 194 195 200 201 200 202



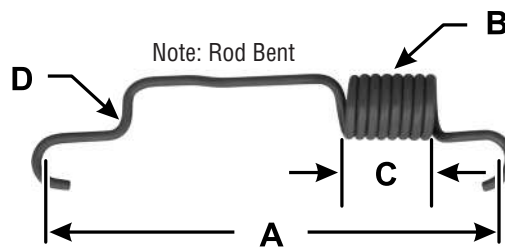
### Type 2

Dim. A	Dim. B	Dim. C	Dim. D	Part No.	Finish	Application	Kit No.	Page
4.68	1.12	2.25	0.162	<b>01-361</b>	Green	18 Eat EB - cast shoe	08-1096 xx	205



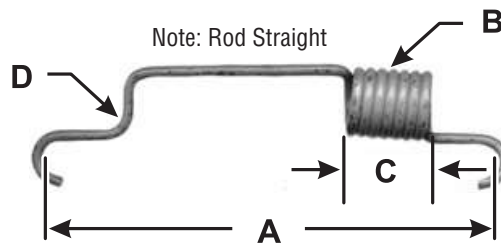
**Type 3**

Dim. A	Dim. B	Dim. C	Dim D.	Part No.	Finish	Application	Kit No.	Page
3.84	0.62	1.75	0.1	01-357	Black	15 Eat EB 15 Eat ES	08-1113xx	181
5.28	0.62	2.71	0.109	01-380	Blue	15 Roc Q	08-1111xx	186



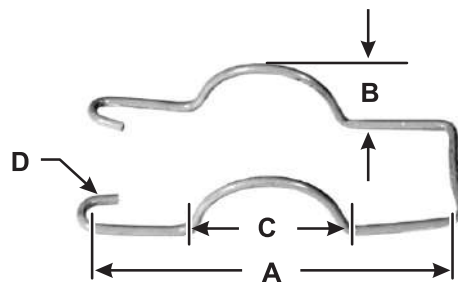
**Type 4**

Dim. A	Dim. B	Dim. C	Dim D.	Part No.	Finish	Application	Kit No.	Page
5.50	0.81	1.12	0.13	01-3482	Brown	12 ¼ Dan FC-111	08-1049xx	172



**Type 5**

Dim. A	Dim. B	Dim. C	Dim D.	Part No.	Finish	Application	Kit No.	Page
5.25	0.81	1.06	0.13	01-3481	Brown	15 Eat ES-II 15 Eat ES-II - reduced envelope 16 ½ Eat ES-II	08-1044xx 08-1147xx 08-1149xx	182 183 192



**Type 6**

Dim. A	Dim. B	Dim. C	Dim D.	Part No.	Finish	Application	Kit No.	Page
4.56	1.62	1.87	0.177	01-305	White	12 ¼ Dan FC	08-1057xx	171

## Return Spring Clips



### Type 1

Part No.	Size (Diameter x Length)	Application	Kit No.	Page
01-318	0.43 x 2.12	12 ¼ Dan FT - bolt-on spider	08-1075xx	173
		12 ¼ Dan FT - weld-on spider	08-1074xx	174



### Type 2

Part No.	Size (Diameter x Length)	Application	Kit No.	Page
01-320	0.25 x 2.75	12 ¼ Dan FC	08-1057xx	171
		12 ¼ Dan FC-111	08-1049xx	172
		12 ¼ Dex PQ	08-1047xx	175
		12 ¼ Fru F	08-1077xx	176
		12 ¼ Roc Q	08-1093xx	178
		15 Dan HA	08-1166xx	180
		15 Hen HXS	08-1160xx	184
		15 Ing Time	08-1160xx	185
		15 Roc Q-Plus	08-1160xx	187
		16 ½ Dan FC	08-1088xx	189
		16 ½ Dan Xtra-Life II	08-1088xx	190
		16 ½ Fru XEM-III	08-1091xx	193
		16 ½ Hen HXS	08-1088xx	194
		16 ½ Hen Standard	08-1088xx	195
		16 ½ Roc Q	08-1088xx	200
		16 ½ Roc Q-Plus	08-1088xx	201
		16 ½ Roc Q-Plus - steer	08-1116xx	199
		16 ½ Wat Integra	08-1088xx	202
		18 Dan FT	08-1095xx	204



### Type 3

Part No.	Size (Diameter x Length)	Application	Kit No.	Page
01-314	0.25 x 2.12	16 ½ Roc P - cast shoe	08-1098xx	198
		18 Roc P - cast shoe	08-1098xx	206

# Hold Down Assembly Anchor Pins

# Brake Shoe Components

## Hold Down Assembly

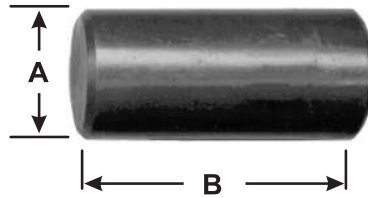


### Type 1

Part No.	Application	Kit No.	Page
01-390	15 Roc T	08-1107xx	188

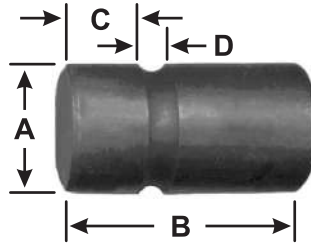
Brake Shoe Components

## Anchor Pins



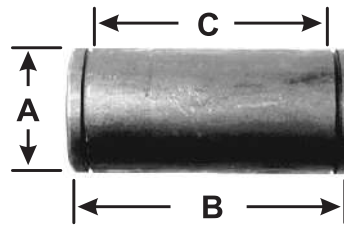
### Type 1

Dim. A	Dim. B	Dim. C	Dim. D	Part No.	Finish	Application	Kit No.	Page
1.00	2.25	-	-	01-447	Phos & Oil	12 1/4 Dan FC	08-1057xx	171



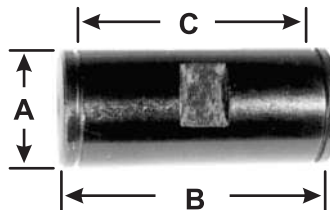
### Type 2

Dim. A	Dim. B	Dim. C	Dim. D	Part No.	Finish	Application	Kit No.	Page
1.25	2.46	0.75	0.15	01-400	Phos & Oil	12 1/4 Fru F	08-1077xx	176



### Type 3

Dim. A	Dim. B	Dim. C	Dim. D	Part No.	Finish	Application	Kit No.	Page
1.00	2.75	2.28	—	01-417	Phos & Oil	12 1/4 Dan FT - weld-on spider	08-1074xx	174
						12 1/4 Dex PQ	08-1047xx	175

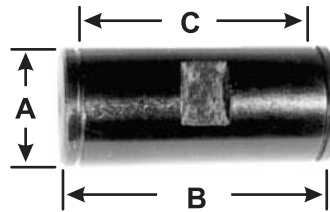


### Type 4

Dim. A	Dim. B	Dim. C	Dim. D	Part No.	Finish	Application	Kit No.	Page
1.25	2.87	2.43	—	01-440	Phos & Oil	18 Dan Ft	08-1095xx	204

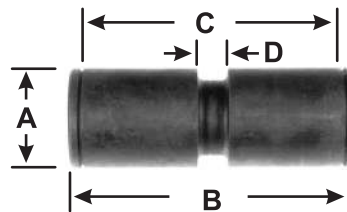
# Brake Shoe Components

# Anchor Pins



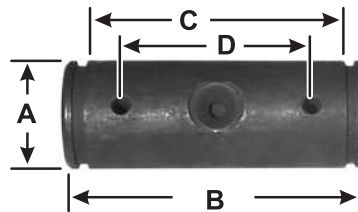
**Type 4 - continued**

Dim. A	Dim. B	Dim. C	Dim. D	Part No.	Finish	Application	Kit No.	Page
1.25	3.75	3.31	—	01-424	Phos & Oil	16 ½ Roc P - cast shoe 18 Roc P - cast shoe	08-1098xx 08-1098xx	198 206
1.50	4.87	4.31	—	01-433	Phos & Oil	20 Dan FT	08-1086xx	207



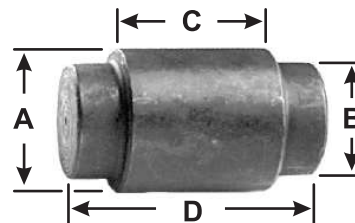
**Type 5**

Dim. A	Dim. B	Dim. C	Dim. D	Part No.	Finish	Application	Kit No.	Page
1.25	3.56	3.21	0.37	01-4244	Phos & Oil	16 ½ Eat ES - cast shoe	08-1157xx	191



**Type 6**

Dim. A	Dim. B	Dim. C	Dim. D	Part No.	Finish	Application	Kit No.	Page
1.25	3.67	3.18	2.24	01-4245	Phos & Oil	16 ½ Roc Cast-Plus	08-1261xx	197



**Type 7**

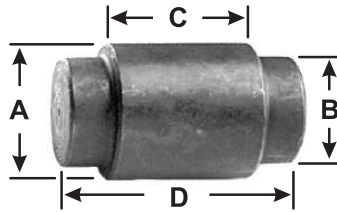
Dim. A	Dim. B	Dim. C	Dim. D	Part No.	Finish	Application	Kit No.	Page
1.25	1.00	1.37	2.21	01-434	Phos & Oil	12 ¼ Dan FC-111 12 ¼ Dex PQ 12 ¼ Roc Q 15 Hen HXS 15 Ing Time 15 Roc Q-Plus 16 ½ Dan FC 16 ½ Dan Xtra-Life II 16 ½ Hen HXS 16 ½ Hen Standard 16 ½ Roc Q-Plus - steer 16 ½ Roc Q-Plus	08-1049xx 08-1047xx 08-1093xx 08-1160xx 08-1160xx 08-1160xx 08-1088xx 08-1088xx 08-1088xx 08-1088xx 08-1116xx 08-1088xx	172 175 178 184 185 186 189 190 194 195 199 201



# Anchor Pins

# Brake Shoe Components

Brake Shoe Components



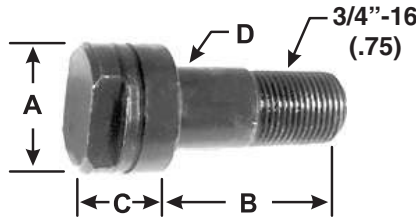
**Type 7 - continued**

Dim. A	Dim. B	Dim. C	Dim. D	Part No.	Finish	Application	Kit No.	Page
1.25	1.06	1.28	2.34	01-448	Phos & Oil	16 1/2 Fru XEM-III	08-1091xx	193
				01-434	Phos & Oil	16 1/2 Roc Q	08-1088xx	200
						16 1/2 Wat Integra	08-1088xx	202



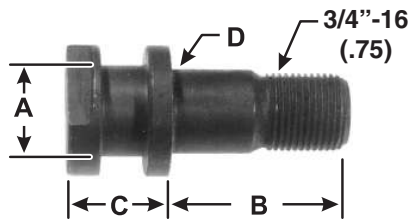
**Type 8**

Dim. A	Dim. B	Dim. C	Dim. D	Part No.	Finish	Application	Kit No.	Page
1.00	3.18	2.81	0.81	01-413	Phos & Oil	12 1/4 Dan FT - bolt-on spider	08-1075xx	173



**Type 9**

Dim. A	Dim. B	Dim. C	Dim. D	Part No.	Finish	Application	Kit No.	Page
1.25	1.90	0.84	0.81	01-437	Phos & Oil	15 Roc T	08-1107xx	188



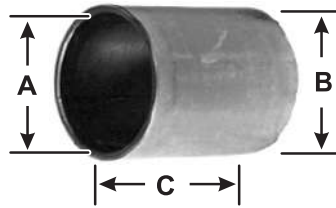
**Type 10**

Dim. A	Dim. B	Dim. C	Dim. D	Part No.	Finish	Application	Kit No.	Page
0.87	1.75	0.96	0.81	01-451	Phos & Oil	15 Roc Q	08-1111xx	186

# Brake Shoe Components

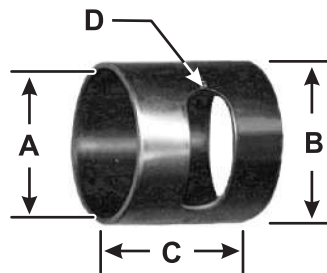
# Anchor Pin Bushings

## Anchor Pin Bushings



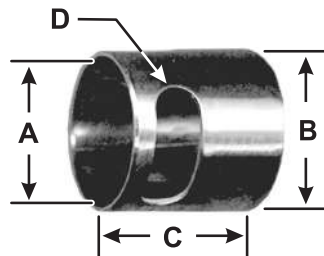
### Type 1

Dim. A	Dim. B	Dim. C	Dim. D	Part No.	Finish	Application	Kit No.	Page
1.00	1.12	1.43	—	02-235	Stainless Steel	12 ¼ Dan FC	08-1057xx	171
						12 ¼ Dan FT - weld-on spider	08-1074xx	174
						12 ¼ Dex PQ	08-1047xx	175
1.25	1.37	1.46	—	02-221	Stainless Steel	12 ¼ Dan FC-111	08-1049xx	172
1.25	1.37	1.46	—	02-219	Stainless Steel	12 ¼ Dex PQ	08-1047xx	175
						12 ¼ Roc Q	08-1093xx	178
						15 Hen HXS	08-1160xx	184
						15 Ing Time	08-1160xx	185
						15 Roc Q-Plus	08-1160xx	187
						16 ½ Dan FC	08-1088xx	189
						16 ½ Dan Xtra-Life II	08-1088xx	190
						16 ½ Fru XEM-III	08-1091xx	193
						16 ½ Hen HXS	08-1088xx	194
						16 ½ Hen Standard	08-1088xx	195
						16 ½ Roc Q	08-1088xx	200
						16 ½ Roc Q-Plus	08-1088xx	201
						16 ½ Roc Q-Plus - steer	08-1116xx	199
						16 ½ Wat Integra	08-1088xx	202



### Type 2

Dim. A	Dim. B	Dim. C	Dim. D	Part No.	Finish	Application	Kit No.	Page
1.25	1.37	1.46	0.43	02-217	Stainless Steel	16 ½ Eat ES - cast shoe	08-1157xx	191
						16 ½ Roc Cast-Plus	08-1261xx	197
						16 ½ Roc P Cast	08-1098xx	198
						18 Roc P Cast	08-1098xx	206



### Type 3

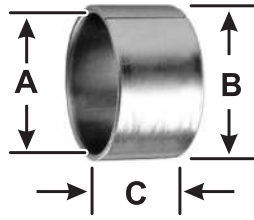
Dim. A	Dim. B	Dim. C	Dim. D	Part No.	Finish	Application	Kit No.	Page
1.25	1.37	1.46	0.43	02-216	Stainless Steel	12 ¼ Fru F	08-1077xx	176

# Brake Shoe Bushings Anchor Pin Seals

# Brake Shoe Components

Brake Shoe Components

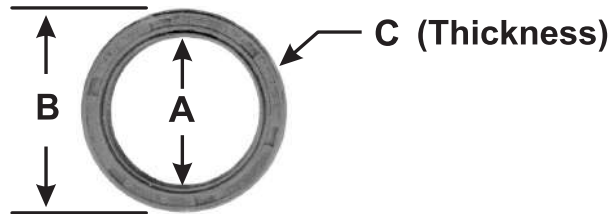
## Brake Shoe Bushings



### Type 1

Dim. A	Dim. B	Dim. C	Dim. D	Part No.	Finish	Application	Kit No.	Page
1.25	1.37	0.68	—	<b>01-509</b>	Stainless Steel	16 ½ Roc P - cast shoe	08-1098xx	198
						18 Roc P Cast	08-1098xx	206
1.25	1.40	0.75	—	<b>01-5002</b>	Stainless Steel	16 ½ Eat ES - cast shoe	08-1157xx	191
1.50	1.62	1.18	—	<b>01-519</b>	Stainless Steel	20 Dan FT	08-1086xx	207

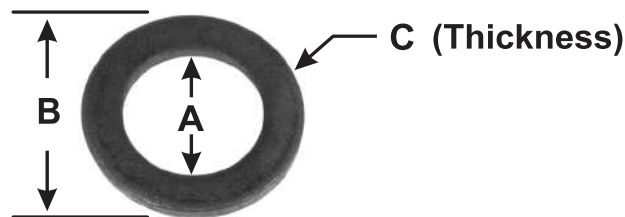
## Anchor Pin Seals



### Type 1

Dim. A	Dim. B	Dim. C	Dim. D	Part No.	Finish	Application	Kit No.	Page
1.25	1.68	0.15	—	<b>01-462</b>	Neoprene	16 ½ Roc P - cast shoe	08-1098xx	198
						18 Dan FT	08-1095xx	204
						18 Roc P - cast shoe	08-1098xx	206
1.50	1.87	0.18	—	<b>02-312</b>	Neoprene	20 Dan FT	08-1086xx	207

## Anchor Pin Washers

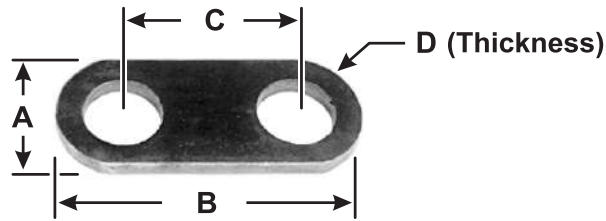


Dim. A	Dim. B	Dim. C	Dim. D	Part No.	Finish	Application	Kit No.	Page
0.78	1.25	0.12	—	<b>01-477</b>	Zinc Clear	15 Roc Q	08-1111xx	186
0.78	1.37	0.12	—	<b>334-166</b>	Phos & Oil	15 Roc T	08-1107xx	188
1.00	1.50	0.03	—	<b>01-473</b>	Zinc Clear	12 ¼ Dan FT - weld-on spider	08-1074xx	174
						12 ¼ Dex PQ	08-1047xx	175
1.25	1.87	0.06	—	<b>01-472</b>	Zinc Clear	16 ½ Eat ES - cast shoe	08-1157xx	191
						16 ½ Roc Cast-Plus	08-1261xx	197

# Brake Shoe Components

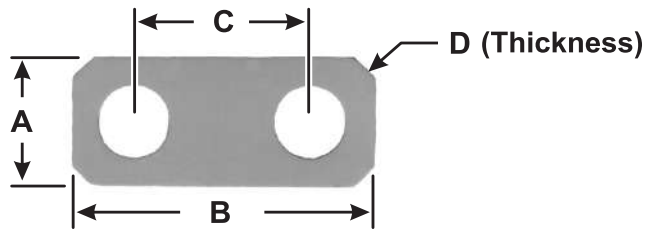
# Anchor Pin Plates

## Anchor Pin Plates



### Type 1

Dim. A	Dim. B	Dim. C	Dim. D	Part No.	Finish	Application	Kit No.	Page
1.56	3.50	1.93	1.00	<b>01-488</b>	Plain Steel	12 ¼ Dan FT - bolt-on spider	08-1075xx	173



### Type 2

Dim. A	Dim. B	Dim. C	Dim. D	Part No.	Finish	Application	Kit No.	Page
1.75	4.00	2.31	0.93	<b>01-478</b>	Plain Steel	15 Roc Q	08-1111xx	186

Dayton  
parts 225

# Anchor Pin Locks

## Anchor Pin Drive Pins

## Anchor Pin Set Screws

# Brake Shoe Components

Brake Shoe Components

### Anchor Pin Locks



#### Type 1

Part No.	Size (Diameter)	Application	Kit No.	Page
01-489	1.00	12 ¼ Dan FT - bolt-on spider	08-1075xx	173
		12 ¼ Dan FT - weld-on spider	08-1074xx	174
		12 ¼ Dex PQ	08-1047xx	175
01-482	1.25	15 Roc T	08-1107xx	188
		16 ½ Eat ES - cast shoe	08-1157xx	191
		16 ½ Roc P - cast shoe	08-1098xx	198
		18 Dan FT	08-1095xx	204
		18 Roc P - cast shoe	08-1098xx	206
01-492	1.25	16 ½ Eat ES - cast shoe	08-1157xx	191
		16 ½ Roc Cast-Plus	08-1261xx	197

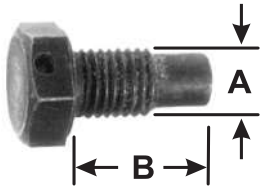
### Anchor Pin Drive Pins



#### Type 1

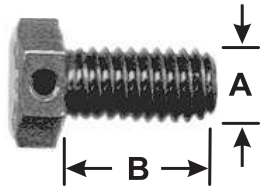
Part No.	Dim. A	Dim. B	Application	Kit No.	Page
01-491	0.31	1.75	12 ¼ Fru F	08-1077xx	176

### Anchor Pin Set Screws



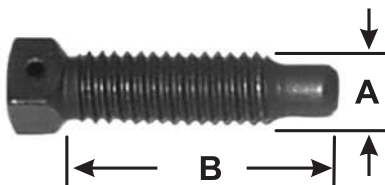
#### Type 1

Part No.	Dim. A	Dim. B	Application	Kit No.	Page
01-4903	0.31	0.65	16 ½ Eat ES - cast shoe	08-1157xx	191



#### Type 2

Part No.	Dim. A	Dim. B	Application	Kit No.	Page
01-490	0.37	0.75	16 ½ Roc P - cast shoe	08-1098xx	198
			18 Dan FT	08-1095xx	204
			18 Roc P - cast shoe	08-1098xx	206
			20 Dan FT	08-1086xx	207



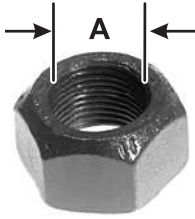
#### Type 3

Part No.	Dim. A	Dim. B	Application	Kit No.	Page
01-4908	0.37	1.21	16 ½ Roc Cast-Plus	08-1261xx	197

# Brake Shoe Components

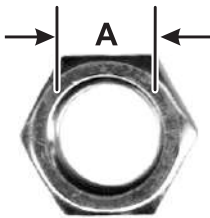
# Anchor Pin Nuts / Return Spring Collar Brake Block Bolts / Brass Plated Steel Rivets

## Anchor Pin Nuts



### Type 1

Part No.	Diameter A	Application	Kit No.	Page
SLN-105	0.75	15 Roc Q	08-1111xx	186
		15 Roc T	08-1107xx	188



### Type 2

Part No.	Diameter A	Application	Kit No.	Page
01-497	0.75	12 ¼ Dan FT - bolt-on spider	08-1075xx	173

## Return Spring Collar



Part No.	Application	Kit No.	Page
02-362	16 ½ Eat ES-II	08-1149xx	192

## Brake Block Bolts

### Type 1 - Brass w/Keps Lock Nuts

Part No.	Thread	Length
01-617	¼ - 28	1
01-620	⅜ - 16	1
01-614	⅜ - 16	1¼
01-613	⅜ - 16	1½

### Type 2 - Brass plated Steel w/Lock Washers

Part No.	Thread	Length
01-609	¼ - 28	1
01-611	⅜ - 16	1¼

## Brass Plated Steel Rivets

Diameter	Length	Part No.	Descriptions
10	7	10-7SQ	1000 per box
10	8	10-8SQ	1000 per box
10	9	10-9SQ	1000 per box
10	10	10-10SQ	1000 per box
20	9	20-9SQ	1000 per box

# Trailer Axle Spiders Trailer Axle Spider Flanges Mounting Bolts

# Brake Shoe Components

Brake Shoe Components

## Trailer Axle Spiders



### Type 1

Application	Pilot	Bolt Circle	Hole Size	Finish	Part No.	OEM No.
12 ¼ Brakes	5.62	6.62	0.53	Painted	<b>02-125</b>	200999-002



### Type 2

Application	Pilot	Bolt Circle	Hole Size	Finish	Part No.	OEM No.
16 ½ Brakes	5.62	6.62	0.53	Painted	<b>02-132</b>	200999-010
Kit w/02-132, 02-400 and (16) 02-474 bolt assy	5.62	6.62	0.53	Painted	<b>02-1321</b>	200999-010

## Trailer Axle Spider Flanges



### Type 2

Application	Pilot	Bolt Circle	Hole Size	Finish	Part No.	OEM No.
16 ½ Brakes	5.62	6.62	0.53	Plain Steel	<b>02-400</b>	102102-002

## Mounting Bolts



Description	Thread	Length	Part No.
Dust shield mounting bolt	0.31	0.87	<b>02-473</b>



Description	Thread	Length	Part No.
Brake spider mounting bolt	0.5	2	<b>02-474</b>

# Brake Shoe Components

# Trailer Axle Dust Shields

## Trailer Axle Dust Shields



### Type 1

Application	Height	Pilot	Hole Size	Part No.	OEM No.
16 ½ Brakes Cast Spider	2.81	7.81	0.37	02-507HD	A1-3236-A-1249



### Type 2

Application	Height	Pilot	Hole Size	Part No.	OEM No.
16 ½ Brakes Fabricated Meritor Spider	2.37	5.75	0.37	02-515	Kit-8055



### Type 3

Application	Height	Pilot	Hole Size	Part No.	OEM No.
15 Brakes Intraax - 15" Brakes, 5" Axle	2.63	5.00	—	02-522	S-28500-1550
16 ½ Brakes Intraax - 16.5" Brakes, 5" Axle	2.63	5.00	—	02-520	S-28500-1650
16 ½ Brakes Intraax - 16.5" Brakes, 5.75" LDA Axle	2.63	5.75	—	02-521	S-28500-1657



### Type 4

Application	Height	Pilot	Hole Size	Part No.	OEM No.
16 ½ Brakes 02-520 Band Clamp	—	—	—	02-520-1	—
16 ½ Brakes 02-521 Band Clamp	—	—	—	02-521-1	—



### Type 5

Application	Height	Pilot	Hole Size	Part No.	OEM No.
16 ½ Brakes 02-507HD Dust Plug	—	—	1	02-540	1250-R-1214



### Type 6

Application	Height	Pilot	Hole Size	Part No.	OEM No.
16 ½ Brakes 02-520 3pc Grommet Pac	—	—	—	02-520-2	—
16 ½ Brakes 02-521 3pc Grommet Pac	—	—	—	02-521-2	—



# Drive Axle Spiders Drive Axle Dust Shields

# Brake Shoe Components

Brake Shoe Components

## Drive Axle Spiders



### Type 1

Application	Pilot	Bolt Circle	Hole Size	Part No.	OEM No.
Rockwell Drive Axle	6.75	8.25	0.65	<b>02-041</b>	A-3211-J-3780

## Drive Axle Dust Shields



Application	Height	Pilot	Hole Size	Part No.	OEM No.
Rockwell Drive Axle - P & Q series	1.50	10.12	0.43	<b>02-517</b>	A1-3236-Q-2123

# Brake Shoe Components

Notes

Brake Shoe Components

# Cam Identification by Length

Cam Identification by Length

Cam Length	Spider Journal	Spider Grov 1	Spider Grov 2	Support Journal	End Spline	Nose Dia.	Head Width	Head Type	Part Number	Left/Right	OEM Number
7 3/8	1.50	1.62	2.22	1.50	10	1.46	1.10	110	04-590741	Right	M16WKR10-075
7 3/8	1.50	1.62	2.22	1.50	10	1.46	1.10	110	04-590742	Left	M16WKL10-075
7 3/8	1.50	1.62	2.22	1.50	10	1.46	1.38	138	04-570741	Right	M16WK103-71
7 3/8	1.50	1.62	2.22	1.50	10	1.46	1.38	138	04-570742	Left	M16WK102-71
7 11/16	1.50	1.81	—	1.50	28	1.25	1.20	120	04-480771	Right	2210-K-7395
7 11/16	1.50	1.81	—	1.50	28	1.25	1.20	120	04-480772	Left	2210-L-7396
8 1/16	1.50	1.81	—	1.50	28	1.25	1.20	120	04-480821	Right	2210-X-7408
8 1/16	1.50	1.81	—	1.50	28	1.25	1.20	120	04-480822	Left	2210-Y-7409
8 7/16	1.50	1.81	—	1.50	28	1.25	1.00	100	04-260851	Right	2210-J-7420
8 7/16	1.50	1.81	—	1.50	28	1.25	1.00	100	04-260852	Left	2210-H-7418
8 7/16	1.50	1.81	—	1.50	28	1.25	1.20	120	04-480842	Left	2210-L-7422
8 7/16	1.50	1.81	—	1.50	28	1.25	1.20	120	04-480841	Right	2210-K-7421
8 9/16	1.50	1.81	—	1.50	28	1.25	1.20	120	04-480861	Right	2210-P-7426
8 9/16	1.50	1.81	—	1.50	28	1.25	1.20	120	04-480862	Left	2210-Q-7427
8 11/16	1.50	1.57	—	1.50	10	1.13	1.13	113	04-390861	Right	808709
8 11/16	1.50	1.57	—	1.50	10	1.13	1.13	113	04-390862	Left	808708
8 3/4	1.50	1.81	—	1.50	28	1.25	1.00	100	04-260871	Right	2210-R-7428
8 3/4	1.50	1.81	—	1.50	28	1.25	1.00	100	04-260872	Left	2210-S-7429
8 13/16	1.50	2.22	6.37	1.50	28	1.25	1.13	113	04-500871	Right	3304-0626R, 202127-090RH
8 13/16	1.50	2.22	6.37	1.50	28	1.25	1.13	113	04-500872	Left	3304-0626L, 202127-090LH
9 1/16	1.50	1.81	—	1.50	28	1.25	1.20	120	04-480921	Right	2210-F-7442
9 1/16	1.50	1.81	—	1.50	28	1.25	1.20	120	04-480922	Left	2210-G-7443
9 3/16	1.25	1.87	—	1.25	10	1.21	0.99	099	04-160931	Right	813481
9 3/16	1.25	1.87	—	1.25	10	1.21	0.99	099	04-160932	Left	813480
9 5/16	1.50	1.81	—	1.50	28	1.25	1.00	100	04-260931	Right	2210-J-6976
9 5/16	1.50	1.81	—	1.50	28	1.25	1.00	100	04-260932	Left	2210-H-6978
9 1/2	1.50	1.81	—	1.50	28	1.25	1.00	100	04-260951	Right	2210-R-7454
9 1/2	1.50	1.81	—	1.50	28	1.25	1.00	100	04-260952	Left	2210-S-7455
9 1/2	1.50	1.81	—	1.50	28	1.25	1.20	120	04-480951	Right	2210-T-7456
9 1/2	1.50	1.81	—	1.50	28	1.25	1.20	120	04-480952	Left	2210-U-7457
10 5/16	1.50	1.81	—	1.50	28	1.25	1.20	120	04-481031	Right	2210-V-7484, 2210-C-6607
10 5/16	1.50	1.81	—	1.50	28	1.25	1.20	120	04-481032	Left	2210-W-7485, 2210-D-6608
10 7/16	1.50	1.81	—	1.50	10	1.13	1.13	113	04-391051	Right	808073
10 7/16	1.50	1.81	—	1.50	10	1.13	1.13	113	04-391052	Left	808072
10 1/2	1.50	1.81	—	1.50	28	1.25	1.20	120	04-481041	Right	2210-D-7492, 2210-P-6958
10 1/2	1.50	1.81	—	1.50	28	1.25	1.20	120	04-481042	Left	2210-E-7493, 2210-Q-6959
10 5/8	1.50	1.81	—	1.50	10	1.13	1.13	113	04-391061	Right	807859
10 5/8	1.50	1.81	—	1.50	10	1.13	1.13	113	04-391062	Left	807858
10 5/8	1.50	1.81	—	1.50	28	1.25	1.20	120	04-481051	Right	2210-K-7499, 2210-R-6960
10 5/8	1.50	1.81	—	1.50	28	1.25	1.20	120	04-481052	Left	2210-L-7500, 2210-S-6961
10 13/16	1.50	1.81	—	1.50	10	1.13	1.13	113	04-391071	Right	810457
10 13/16	1.50	1.81	—	1.50	10	1.13	1.13	113	04-391072	Left	810456
10 7/8	1.50	2.54	8.69	1.50	28	1.25	1.00	100	04-251101	Right	S-25024-1R
10 7/8	1.50	2.54	8.69	1.50	28	1.25	1.00	100	04-251102	Left	S-25024-1L
10 15/16	1.25	1.87	—	1.25	10	1.21	0.99	099	04-161111	Right	813485
10 15/16	1.25	1.87	—	1.25	10	1.21	0.99	099	04-161112	Left	813484
11	1.50	1.81	—	1.50	28	1.25	1.20	120	04-481111	Right	2210-Z-7514
11	1.50	1.81	—	1.50	28	1.25	1.20	120	04-481112	Left	2210-A-7515
11 1/16	1.50	2.31	8.69	1.50	10	1.25	1.13	113	04-851121	Right	S-23857-1R
11 1/16	1.50	2.31	8.69	1.50	10	1.25	1.13	113	04-851122	Left	S-23857-1L

# Cam Identification by Length

Cam Length	Spider Journal	Spider Grov 1	Spider Grov 2	Support Journal	End Spline	Nose Dia.	Head Width	Head Type	Part Number	Left/Right	OEM Number
11 1/16	1.50	2.31	8.69	1.50	28	1.25	1.13	113	04-871121	Right	S-23347-1R, S-24636-1R
11 1/16	1.50	2.31	8.69	1.50	28	1.25	1.13	113	04-871122	Left	S-23347-1L, S-24636-1L
11 1/8	1.50	1.81	—	1.50	28	1.25	1.20	120	04-481121	Right	2210-H-7522, 2210-Z-7098
11 1/8	1.50	1.81	—	1.50	28	1.25	1.20	120	04-481122	Left	2210-J-7524, 2210-A-7099
11 1/8	1.50	2.31	—	1.50	28	1.25	1.38	138	04-861121	Right	S-20806-1R
11 1/8	1.50	2.31	—	1.50	28	1.25	1.38	138	04-861122	Left	S-20806-1L
11 1/4	1.50	1.81	—	1.50	10	1.13	1.13	113	04-391121	Right	808295
11 1/4	1.50	1.81	—	1.50	10	1.13	1.13	113	04-391122	Left	808294
11 9/16	1.50	1.81	—	1.50	28	1.25	1.20	120	04-481151	Right	2210-V-7536, 2210-Z-6942
11 9/16	1.50	1.81	—	1.50	28	1.25	1.20	120	04-481152	Left	2210-W-7537, 2210-A-6943
11 5/8	1.50	1.81	—	1.50	10	1.13	1.13	113	04-391161	Right	806527
11 5/8	1.50	1.81	—	1.50	10	1.13	1.13	113	04-391162	Left	806526
11 3/4	1.50	1.81	—	1.50	28	1.25	1.20	120	04-481171	Right	2210-B-7542
11 3/4	1.50	1.81	—	1.50	28	1.25	1.20	120	04-481172	Left	2210-C-7543
12	1.50	1.81	—	1.50	28	1.25	1.20	120	04-481211	Right	2210-K-7551
12	1.50	1.81	—	1.50	28	1.25	1.20	120	04-481212	Left	2210-L-7552
12 1/2	1.50	1.81	—	1.50	28	1.25	1.20	120	04-481251	Right	2210-B-7568
12 1/2	1.50	1.81	—	1.50	28	1.25	1.20	120	04-481252	Left	2210-C-7569
12 9/16	1.50	1.81	—	1.50	10	1.13	1.13	113	04-391251	Right	808291
12 9/16	1.50	1.81	—	1.50	10	1.13	1.13	113	04-391252	Left	808290
12 7/8	1.50	1.81	—	1.50	28	1.25	1.20	120	04-481301	Right	2210-P-7582
12 7/8	1.50	1.81	—	1.50	28	1.25	1.20	120	04-481302	Left	2210-Q-7583
13	1.50	1.81	—	1.50	28	1.25	1.20	120	04-481311	Right	2210-T-7586
13	1.50	1.81	—	1.50	28	1.25	1.20	120	04-481312	Left	2210-U-7587
13 1/4	1.50	1.81	—	1.50	28	1.25	1.20	120	04-481331	Right	2210-B-7594, 2210-Z-6994
13 1/4	1.50	1.81	—	1.50	28	1.25	1.20	120	04-481332	Left	2210-C-7595, 2210-A-6995
13 1/2	1.50	1.81	—	1.50	10	1.13	1.13	113	04-391351	Right	808069
13 1/2	1.50	1.81	—	1.50	10	1.13	1.13	113	04-391352	Left	808068
13 1/2	1.50	1.81	—	1.50	28	1.25	1.20	120	04-481351	Right	2210-K-7837, 2210-T-6962
13 1/2	1.50	1.81	—	1.50	28	1.25	1.20	120	04-481352	Left	2210-L-7838, 2210-U-6963
14 1/8	1.50	1.81	—	1.50	28	1.25	1.20	120	04-481421	Right	2210-H-7626, 2210-P-6984
14 1/8	1.50	1.81	—	1.50	28	1.25	1.20	120	04-481422	Left	2210-J-7628, 2210-Q-6985
14 3/8	1.50	1.81	—	1.50	10	1.13	1.13	113	04-391441	Right	807863
14 3/8	1.50	1.81	—	1.50	10	1.13	1.13	113	04-391442	Left	807862
14 5/8	1.50	1.81	—	1.50	28	1.25	1.20	120	04-481461	Right	2210-Z-7644
14 5/8	1.50	1.81	—	1.50	28	1.25	1.20	120	04-481462	Left	2210-A-7645
14 11/16	1.50	1.81	—	1.50	10	1.13	1.13	113	04-391461	Right	809831
14 11/16	1.50	1.81	—	1.50	10	1.13	1.13	113	04-391462	Left	809830
14 13/16	1.50	1.81	—	1.50	28	1.25	1.20	120	04-481471	Right	2210-H-7652, 2210-M-7189
14 13/16	1.50	1.81	—	1.50	28	1.25	1.20	120	04-481472	Left	2210-J-7654, 2210-N-7190
15 1/8	1.50	1.81	—	1.50	10	1.13	1.13	113	04-391521	Right	808065
15 1/8	1.50	1.81	—	1.50	10	1.13	1.13	113	04-391522	Left	808064
15 1/4	1.50	1.81	—	1.50	28	1.25	1.20	120	04-481531	Right	2210-Z-7670, 2210-X-7070
15 1/4	1.50	1.81	—	1.50	28	1.25	1.20	120	04-481532	Left	2210-A-7671, 2210-Y-7071
15 5/8	1.50	1.81	—	1.50	28	1.25	1.20	120	04-481561	Right	2210-M-7683
15 5/8	1.50	1.81	—	1.50	28	1.25	1.20	120	04-481562	Left	2210-N-7684
15 3/4	1.50	1.81	—	1.50	28	1.25	1.20	120	04-481571	Right	2210-R-7688
15 3/4	1.50	1.81	—	1.50	28	1.25	1.20	120	04-481572	Left	2210-S-7689
15 13/16	1.50	1.81	—	1.50	10	1.13	1.13	113	04-391571	Right	811669
15 13/16	1.50	1.81	—	1.50	10	1.13	1.13	113	04-391572	Left	811668

Cam Identification by Length

# Cam Identification by Length

## Cam Identification by Length

Cam Length	Spider Journal	Spider Grov 1	Spider Grov 2	Support Journal	End Spline	Nose Dia.	Head Width	Head Type	Part Number	Left/Right	OEM Number
15 7/8	1.50	1.81	—	1.50	28	1.25	1.20	120	04-481601	Right	2210-V-7692
15 7/8	1.50	1.81	—	1.50	28	1.25	1.20	120	04-481602	Left	2210-W-7693
16 1/8	1.62	2.16	—	1.59	37	1.50	1.38	138	04-811621	Right	APA-0420-2
16 1/8	1.62	2.16	—	1.59	37	1.50	1.38	138	04-811622	Left	APA-0420-1
17 5/16	1.62	1.70	1.99	1.50	28	1.25	1.20	120	04-931731	Right	2210-B-6866
17 5/16	1.62	1.70	1.99	1.50	28	1.25	1.20	120	04-931732	Left	2210-C-6867
17 5/16	1.62	1.70	1.99	1.50	28	1.25	1.38	138	04-891731	Right	2210-L-4328
17 5/16	1.62	1.70	1.99	1.50	28	1.25	1.38	138	04-891732	Left	2210-M-4329
17 3/8	1.50	1.62	2.22	1.50	10	1.46	1.10	110	04-591741	Right	M16WKR10-175
17 3/8	1.50	1.62	2.22	1.50	10	1.46	1.10	110	04-591742	Left	M16WKL10-175
17 3/8	1.50	1.62	2.22	1.50	28	1.25	1.10	110	04-601741	Right	M16WKR20-175
17 3/8	1.50	1.62	2.22	1.50	28	1.25	1.10	110	04-601742	Left	M16WKL20-175
17 3/8	1.62	2.24	—	1.50	28	1.25	1.13	113	04-561741	Right	M16WKR25-175
17 3/8	1.62	2.24	—	1.50	28	1.25	1.13	113	04-561742	Left	M16WKL25-175
18 3/8	1.50	1.62	2.22	1.50	10	1.46	1.38	138	04-571841	Right	M16WK103-12, M16WK111-3
18 3/8	1.50	1.62	2.22	1.50	10	1.46	1.38	138	04-571842	Left	M16WK102-12, M16WK110-3
18 3/8	1.50	1.62	2.22	1.50	10	1.46	1.38	138	04-571861	Right	M16WK103-13, M16WK111-4
18 3/8	1.50	1.62	2.22	1.50	10	1.46	1.38	138	04-571862	Left	M16WK102-13, M16WK110-4
19 1/2	1.62	2.16	—	1.50	28	1.25	1.13	113	04-741941	Right	810539
19 1/2	1.62	2.16	—	1.50	28	1.25	1.13	113	04-741942	Left	810538
20 3/8	1.62	2.24	18.06	1.50	28	1.25	0.68	068	04-522041	Right	S-31110-34R
20 3/8	1.62	2.24	18.06	1.50	28	1.25	0.68	068	04-522042	Left	S-31110-34L
20 3/8	1.50	1.62	2.22	1.50	10	1.46	1.10	110	04-592041	Right	M16WKR10-205
20 3/8	1.50	1.62	2.22	1.50	10	1.46	1.10	110	04-592042	Left	M16WKL10-205
20 3/8	1.50	1.62	2.22	1.50	28	1.25	1.10	110	04-602041	Right	M16WKR20-205
20 3/8	1.50	1.62	2.22	1.50	28	1.25	1.10	110	04-602042	Left	M16WKL20-205
20 3/8	1.62	2.24	—	1.50	28	1.25	1.13	113	04-562041	Right	M16WKR25-205
20 3/8	1.62	2.24	—	1.50	28	1.25	1.13	113	04-562042	Left	M16WKL25-205
20 3/8	1.62	1.70	1.99	1.50	28	1.25	1.20	120	04-932041	Right	2210-F-6870
20 3/8	1.62	1.70	1.99	1.50	28	1.25	1.20	120	04-932042	Left	2210-G-6871
20 3/8	1.50	1.62	2.22	1.50	10	1.46	1.38	138	04-572041	Right	M16WK103-17, M16WK111-5
20 3/8	1.50	1.62	2.22	1.50	10	1.46	1.38	138	04-572042	Left	M16WK102-17, M16WK110-5
20 3/8	1.50	1.62	2.22	1.50	28	1.25	1.38	138	04-582041	Right	M16WK105-17
20 3/8	1.50	1.62	2.22	1.50	28	1.25	1.38	138	04-582042	Left	M16WK104-17
20 3/8	1.62	1.70	1.99	1.50	28	1.25	1.38	138	04-892041	Right	2210-Q-4333
20 3/8	1.62	1.70	1.99	1.50	28	1.25	1.38	138	04-892042	Left	2210-R-4334
21 1/8	1.50	2.22	—	1.50	28	1.25	0.68	068	04-672121	Right	034-189-00
21 1/8	1.50	2.22	—	1.50	28	1.25	0.68	068	04-672122	Left	034-188-00
21 1/8	1.62	2.16	—	1.59	37	1.50	0.86	086	04-832121	Right	ACD-2193-5
21 1/8	1.62	2.16	—	1.59	37	1.50	0.86	086	04-832122	Left	ACD-2193-6
21 1/8	1.50	1.62	2.22	1.50	10	1.46	1.38	138	04-572111	Right	M16WK103-19, M16WK111-6
21 1/8	1.50	1.62	2.22	1.50	10	1.46	1.38	138	04-572112	Left	M16WK102-19, M16WK110-6
21 1/8	1.62	2.16	—	1.59	37	1.50	1.38	138	04-812121	Right	APA-0420-4
21 1/8	1.62	2.16	—	1.59	37	1.50	1.38	138	04-812122	Left	APA-0420-3
21 1/4	1.50	2.22	2.66	1.50	10	1.46	0.68	068	04-632131	Right	M12WKR10-214
21 1/4	1.50	2.22	2.66	1.50	10	1.46	0.68	068	04-632132	Left	M12WKL10-214
21 1/4	1.50	2.22	2.66	1.50	28	1.25	0.68	068	04-642131	Right	M12WKR20-214
21 1/4	1.50	2.22	2.66	1.50	28	1.25	0.68	068	04-642132	Left	M12WKL20-214
21 1/4	1.62	2.22	—	1.50	28	1.25	0.68	068	04-542131	Right	M12WKR25-214
21 1/4	1.62	2.22	—	1.50	28	1.25	0.68	068	04-542132	Left	M12WKL25-214

# Cam Identification by Length

Cam Identification by Length

Cam Length	Spider Journal	Spider Grov 1	Spider Grov 2	Support Journal	End Spline	Nose Dia.	Head Width	Head Type	Part Number	Left/Right	OEM Number
21 3/8	1.50	1.62	2.22	1.50	28	1.25	1.10	110	04-602141	Right	M16WKR20-215
21 3/8	1.50	1.62	2.22	1.50	28	1.25	1.10	110	04-602142	Left	M16WKL20-215
21 3/8	1.62	2.24	—	1.50	28	1.25	1.13	113	04-562141	Right	M16WKR25-215
21 3/8	1.62	2.24	—	1.50	28	1.25	1.13	113	04-562142	Left	M16WKL25-215
22	1.50	2.22	2.66	1.50	28	1.25	0.68	068	04-642211	Right	M12WKR20-222
22	1.50	2.22	2.66	1.50	28	1.25	0.68	068	04-642212	Left	M12WKL20-222
22	1.62	2.22	—	1.50	28	1.25	0.68	068	04-542211	Right	M12WKR25-222
22	1.62	2.22	—	1.50	28	1.25	0.68	068	04-542212	Left	M12WKL25-222
22 5/16	1.50	2.22	—	1.50	28	1.25	0.68	068	04-672231	Right	034-189-03
22 5/16	1.50	2.22	—	1.50	28	1.25	0.68	068	04-672232	Left	034-188-03
22 3/8	1.50	2.22	2.66	1.50	10	1.46	0.68	068	04-632231	Right	M12WKR10-225
22 3/8	1.50	2.22	2.66	1.50	10	1.46	0.68	068	04-632232	Left	M12WKL10-225
22 3/8	1.50	1.62	2.22	1.50	28	1.25	1.10	110	04-602241	Right	M16WKR20-225
22 3/8	1.50	1.62	2.22	1.50	28	1.25	1.10	110	04-602242	Left	M16WKL20-225
22 3/8	1.62	2.24	—	1.50	28	1.25	1.13	113	04-562241	Right	M16WKR25-225
22 3/8	1.62	2.24	—	1.50	28	1.25	1.13	113	04-562242	Left	M16WKL25-225
22 3/8	1.50	1.62	2.22	1.50	10	1.46	1.38	138	04-572241	Right	M16WK103-76, M16WK111-8
22 3/8	1.50	1.62	2.22	1.50	10	1.46	1.38	138	04-572242	Left	M16WK102-76, M16WK110-8
22 7/8	1.50	1.62	2.22	1.50	10	1.46	1.10	110	04-592301	Right	M16WKR10-231
22 7/8	1.50	1.62	2.22	1.50	10	1.46	1.10	110	04-592302	Left	M16WKL10-231
22 7/8	1.50	1.62	2.22	1.50	28	1.25	1.10	110	04-602301	Right	M16WKR20-231
22 7/8	1.50	1.62	2.22	1.50	28	1.25	1.10	110	04-602302	Left	M16WKL20-231
22 7/8	1.62	2.24	—	1.50	28	1.25	1.13	113	04-562301	Right	M16WKR25-231
22 7/8	1.62	2.24	—	1.50	28	1.25	1.13	113	04-562302	Left	M16WKL25-231
22 7/8	1.50	1.62	2.22	1.50	28	1.25	1.38	138	04-582271	Right	M16WK105-23
22 7/8	1.50	1.62	2.22	1.50	28	1.25	1.38	138	04-582272	Left	M16WK104-23
23 1/8	1.50	2.22	2.66	1.50	10	1.46	0.68	068	04-632321	Right	M12WKR10-233
23 1/8	1.50	2.22	2.66	1.50	10	1.46	0.68	068	04-632322	Left	M12WKL10-233
23 1/8	1.50	2.22	2.66	1.50	28	1.25	0.68	068	04-642321	Right	M12WKR20-233
23 1/8	1.50	2.22	2.66	1.50	28	1.25	0.68	068	04-642322	Left	M12WKL20-233
23 1/8	1.62	2.22	—	1.50	28	1.25	0.68	068	04-542321	Right	M12WKR25-233
23 1/8	1.62	2.22	—	1.50	28	1.25	0.68	068	04-542322	Left	M12WKL25-233
23 1/4	1.62	1.70	—	1.50	28	1.25	0.68	068	04-952331	Right	2210-F-6168, 2210-G-5961
23 1/4	1.62	1.70	—	1.50	28	1.25	0.68	068	04-952332	Left	2210-E-6167, 2210-F-5960
23 3/8	1.50	2.22	—	1.50	28	1.25	0.68	068	04-672341	Right	034-189-05
23 3/8	1.50	2.22	—	1.50	28	1.25	0.68	068	04-672342	Left	034-188-05
23 3/8	1.62	1.99	—	1.50	28	1.25	1.00	100	04-902342	Left	2210-B-7958
23 3/8	1.62	1.99	—	1.50	28	1.25	1.00	100	04-902341	Right	2210-C-7959

# Cam Identification by Length

## Cam Identification by Length

Cam Length	Spider Journal	Spider Grov 1	Spider Grov 2	Support Journal	End Spline	Nose Dia.	Head Width	Head Type	Part Number	Left/Right	OEM Number
23 1/2	1.62	2.24	21.19	1.50	28	1.25	0.68	068	04-522351	Right	S-31110-16R
23 1/2	1.62	2.24	21.19	1.50	28	1.25	0.68	068	04-522352	Left	S-31110-16L
23 1/2	1.50	2.22	—	1.50	28	1.25	1.00	100	04-772351	Right	202132-236RH
23 1/2	1.50	2.22	—	1.50	28	1.25	1.00	100	04-772352	Left	202132-236LH
23 1/2	1.62	2.24	21.37	1.50	28	1.25	1.00	100	04-762351	Right	S-31902-1R
23 1/2	1.62	2.24	21.37	1.50	28	1.25	1.00	100	04-762352	Left	S-31902-1L
23 1/2	1.50	1.62	2.22	1.50	10	1.46	1.10	110	04-592351	Right	M16WKR10-236
23 1/2	1.50	1.62	2.22	1.50	10	1.46	1.10	110	04-592352	Left	M16WKL10-236
23 1/2	1.50	1.62	2.22	1.50	28	1.25	1.10	110	04-602351	Right	M16WKR20-236
23 1/2	1.50	1.62	2.22	1.50	28	1.25	1.10	110	04-602352	Left	M16WKL20-236
23 1/2	1.62	2.24	—	1.50	10	1.46	1.13	113	04-552351	Right	M16WKR15-236
23 1/2	1.62	2.24	—	1.50	10	1.46	1.13	113	04-552352	Left	M16WKL15-236
23 1/2	1.62	2.24	—	1.50	28	1.25	1.13	113	04-562351	Right	M16WKR25-236
23 1/2	1.62	2.24	—	1.50	28	1.25	1.13	113	04-562352	Left	M16WKL25-236
23 1/2	1.50	1.62	2.22	1.50	10	1.46	1.38	138	04-572351	Right	M16WK103-25, M16WK111-9
23 1/2	1.50	1.62	2.22	1.50	10	1.46	1.38	138	04-572352	Left	M16WK102-25, M16WK110-9
23 1/2	1.50	1.62	2.22	1.50	28	1.25	1.38	138	04-582351	Right	M16WK105-25
23 1/2	1.50	1.62	2.22	1.50	28	1.25	1.38	138	04-582352	Left	M16WK104-25
23 3/4	1.62	2.16	—	1.50	28	1.25	1.13	113	04-742361	Right	810026
23 3/4	1.62	2.16	—	1.50	28	1.25	1.13	113	04-742362	Left	810025
23 7/8	1.50	2.22	2.66	1.50	10	1.46	0.68	068	04-632401	Right	M12WKR10-241
23 7/8	1.50	2.22	2.66	1.50	10	1.46	0.68	068	04-632402	Left	M12WKL10-241
23 7/8	1.50	1.62	2.22	1.50	28	1.25	1.10	110	04-602401	Right	M16WKR20-241
23 7/8	1.50	1.62	2.22	1.50	28	1.25	1.10	110	04-602402	Left	M16WKL20-241
23 7/8	1.62	2.16	—	1.59	37	1.50	1.38	138	04-812401	Right	APA-0420-6
23 7/8	1.62	2.16	—	1.59	37	1.50	1.38	138	04-812402	Left	APA-0420-5
24	1.50	1.62	2.22	1.50	10	1.46	1.10	110	04-592411	Right	M16WKR10-242
24	1.50	1.62	2.22	1.50	10	1.46	1.10	110	04-592412	Left	M16WKL10-242
24	1.62	2.24	—	1.50	28	1.25	1.13	113	04-562411	Right	M16WKR25-242
24	1.62	2.24	—	1.50	28	1.25	1.13	113	04-562412	Left	M16WKL25-242
24 1/16	1.50	1.62	2.22	1.50	28	1.25	1.10	110	04-602411	Right	M16WKR20-242
24 1/16	1.50	1.62	2.22	1.50	28	1.25	1.10	110	04-602412	Left	M16WKL20-242
24 1/16	1.62	1.70	1.99	1.50	28	1.25	1.20	120	04-932421	Right	2210-D-6868
24 1/16	1.62	1.70	1.99	1.50	28	1.25	1.20	120	04-932422	Left	2210-E-6869
24 1/16	1.62	1.70	1.99	1.50	28	1.25	1.38	138	04-892421	Right	2210-N-4330
24 1/16	1.62	1.70	1.99	1.50	28	1.25	1.38	138	04-892422	Left	2210-P-4332
24 3/8	1.50	1.62	2.22	1.50	10	1.46	1.38	138	04-572441	Right	M16WK103-83, M16WK111-12
24 3/8	1.50	1.62	2.22	1.50	10	1.46	1.38	138	04-572442	Left	M16WK102-83, M16WK110-12
25	1.62	2.24	—	1.50	28	1.25	1.13	113	04-562511	Right	M16WKR25-252
25	1.62	2.24	—	1.50	28	1.25	1.13	113	04-562512	Left	M16WKL25-252
25 7/8	1.50	1.62	2.22	1.50	28	1.25	1.10	110	04-602601	Right	M16WKR20-261
25 7/8	1.50	1.62	2.22	1.50	28	1.25	1.10	110	04-602602	Left	M16WKL20-261
26 1/4	1.62	2.24	23.94	1.50	28	1.25	0.68	068	04-522631	Right	S-31110-41R
26 1/4	1.62	2.24	23.94	1.50	28	1.25	0.68	068	04-522632	Left	S-31110-41L
26 1/4	1.50	1.62	2.22	1.50	10	1.46	1.10	110	04-592631	Right	M16WKR10-264
26 1/4	1.50	1.62	2.22	1.50	10	1.46	1.10	110	04-592632	Left	M16WKL10-264
26 1/4	1.62	2.24	—	1.50	28	1.25	1.13	113	04-562631	Right	M16WKR25-264
26 1/4	1.62	2.24	—	1.50	28	1.25	1.13	113	04-562632	Left	M16WKL25-264

# Cam Identification by Length

Cam Identification by Length

Cam Length	Spider Journal	Spider Grov 1	Spider Grov 2	Support Journal	End Spline	Nose Dia.	Head Width	Head Type	Part Number	Left/Right	OEM Number
26 1/2	1.50	2.22	—	1.50	28	1.25	0.68	068	<b>04-672651</b>	Right	034-189-09
26 1/2	1.50	2.22	—	1.50	28	1.25	0.68	068	<b>04-672652</b>	Left	034-188-09
26 1/2	1.50	1.62	2.22	1.50	28	1.25	1.10	110	<b>04-602651</b>	Right	M16WKR20-266
26 1/2	1.50	1.62	2.22	1.50	28	1.25	1.10	110	<b>04-602652</b>	Left	M16WKL20-266
26 1/2	1.50	1.62	2.22	1.50	10	1.46	1.10	110	<b>04-592651</b>	Right	M16WKR10-266
26 1/2	1.50	1.62	2.22	1.50	10	1.46	1.10	110	<b>04-592652</b>	Left	M16WKL10-266
26 1/2	1.50	1.62	2.22	1.50	10	1.46	1.38	138	<b>04-572651</b>	Right	17-592
26 1/2	1.50	1.62	2.22	1.50	10	1.46	1.38	138	<b>04-572652</b>	Left	17-593
26 7/8	1.50	1.62	2.22	1.50	28	1.25	1.10	110	<b>04-602701</b>	Right	M16WKR20-271
26 7/8	1.50	1.62	2.22	1.50	28	1.25	1.10	110	<b>04-602702</b>	Left	M16WKL20-271
26 7/8	1.62	2.24	—	1.50	28	1.25	1.13	113	<b>04-562701</b>	Right	M16WKR25-271
26 7/8	1.62	2.24	—	1.50	28	1.25	1.13	113	<b>04-562702</b>	Left	M16WKL25-271
29	1.50	1.62	2.22	1.50	28	1.25	1.10	110	<b>04-602911</b>	Right	M16WKR20-292
29	1.50	1.62	2.22	1.50	28	1.25	1.10	110	<b>04-602912</b>	Left	M16WKL20-292

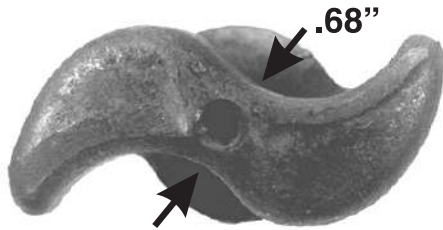


# Identification

# Cam Heads

Cam Heads

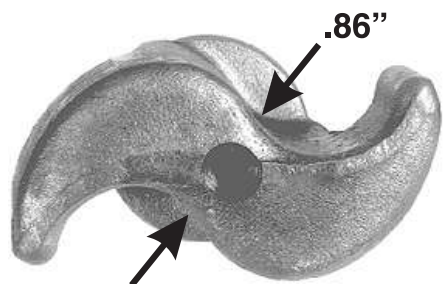
### Type 068



Right Hand Shown

Master Group	Application	Spline	Page
MG63	12 ¼ Dan FC & FT	1 ½ -10	240
MG64	12 ¼ Dan FC & FT	1 ½ -28	241
MG54	12 ¼ Dan FC-111	1 ½ -28	242
MG67	12 ¼ Dex PQ	1 ½ -28	243
MG52	12 ¼" Hen HXS - TRLAXLE	1 ½ -28	245
MG95	12 ¼ Roc Q	1 ½ -28	246

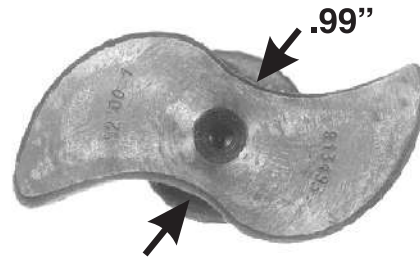
### Type 086



Right Hand Shown

Master Group	Application	Spline	Page
MG83	12 ¼ Fru F	1 ⅝ -37	244

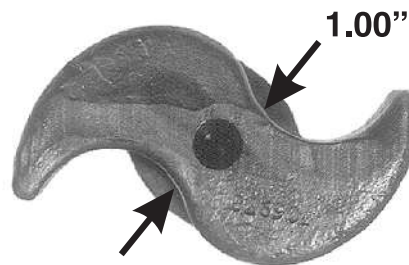
### Type 099



Right Hand Shown

Master Group	Application	Spline	Page
MG16	15 Eat ES	1 ¼ -10	247

### Type 100



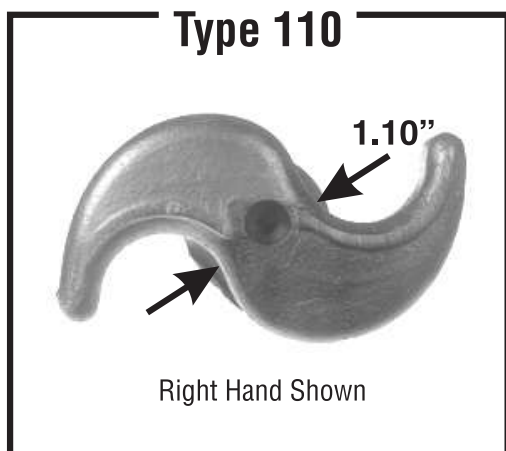
Right Hand Shown

Master Group	Application	Spline	Page
MG25	15 Hen HXS - Intraax	1 ½ -28	249
MG76	15 Hen HXS - TRLAXLE	1 ½ -28	250
MG77	15 Ing Time	1 ½ -28	251
MG26	15 Roc Q-Plus - steer & drive	1 ½ -28	252
MG90	15 Roc Q-Plus - trailer	1 ½ -28	253

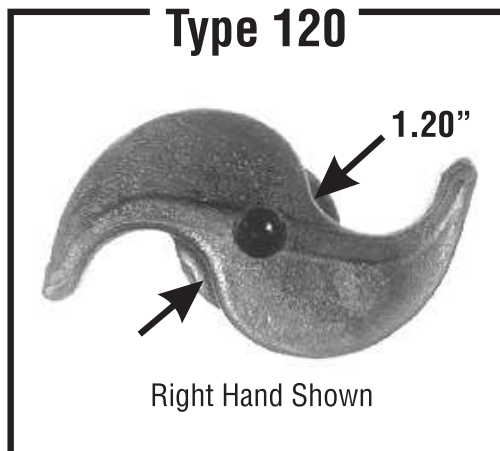
# Cam Heads

# Identification

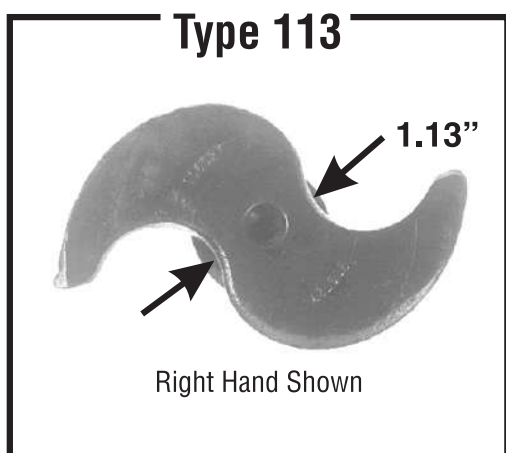
Cam Heads



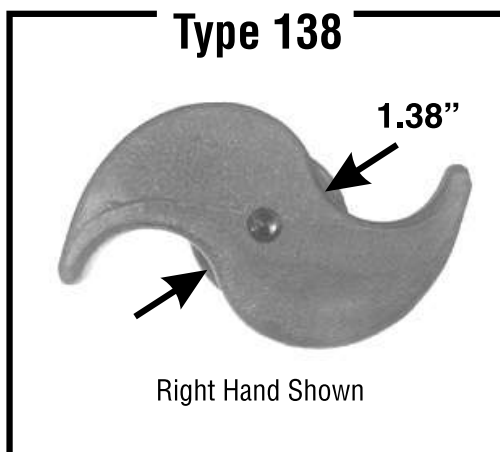
Master Group	Application	Spline	Page
MG59	16 ½ Dan Xtra-Life	1 ½ -10	256
MG60	16 ½ Dan Xtra-Life	1 ½ -28	257



Master Group	Application	Spline	Page
MG48	16 ½ Roc Q-Plus - steer & drive	1 ½ -28	269-270
MG93	16 ½ Roc Q-Plus - trailer	1 ½ -28	273
MG48	18 Roc P	1 ½ -28	277



Master Group	Application	Spline	Page
MG39	15 Eat ES-II	1 ½ -10	248
MG55	16 ½ Dan Xtra-Life II	1 ½ -10	258
MG56	16 ½ Dan Xtra-Life II	1 ½ -28	259
MG55	16 ½ Hen HXS	1 ½ -10	266
MG56	16 ½ Hen HXS	1 ½ -28	267
MG39	16 ½ Eat ES-II	1 ½ -10	260
MG74	16 ½ Eat ES 501	1 ½ -28	261
MG85	16 ½ Hen HXS - Intraax	1 ½ -10	264
MG87	16 ½ Hen HXS - Intraax	1 ½ -28	265
MG50	16 ½ Wat Integra	1 ½ -28	274
MG39	18 Eat EB	1 ½ -10	276



Master Group	Application	Spline	Page
MG58	16 ½ Dan FC	1 ½ -28	254
MG57	16 ½ Dan FT	1 ½ -10	255
MG81	16 ½ Fru F & XEM	1 ⅝ -37	262
MG57	16 ½ Fru TKF	1 ½ -10	263
MG86	16 ½ Hen Standard	1 ½ -28	268
MG57	16 ½ Roc P (1969-74)	1 ½ -10	271
MG89	16 ½ Roc Q	1 ½ -28	272
MG58	18 Dan FT	1 ½ -28	275

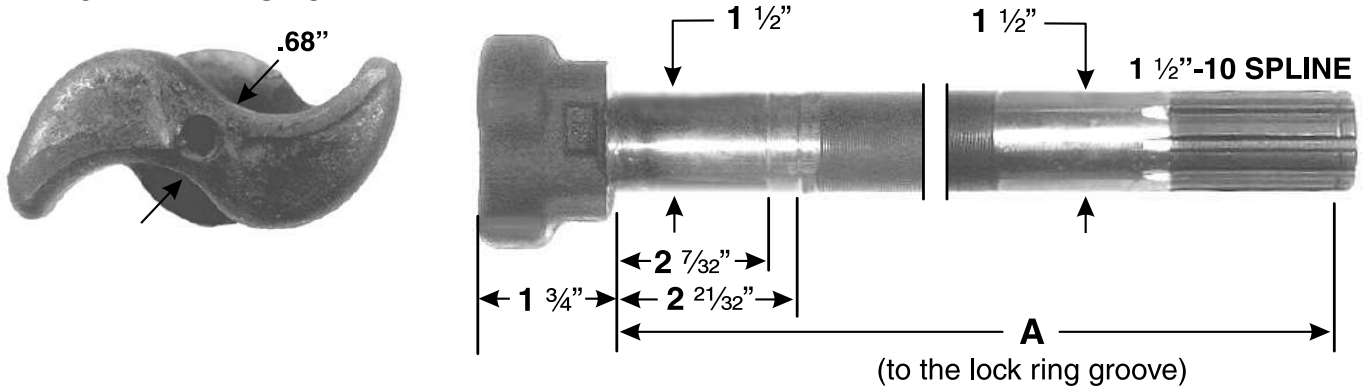
# 12 1/4" Dana Trailer axle - FC & FT series

Cams

## MASTER GROUP 63

Cams

RIGHT HAND SHOWN



Type of Kit	Axle Kit	Wheel Kit	Comments	Page
Brake	—	08-105700	1 1/2" roller FC series - 1" anchor pin holes	171
	—	08-107400	1 1/2" roller FT series - weld-on spider	174
	—	08-107500	1 1/2" roller FT series - bolt-on spider	173
Camshaft	08-132300	08-132350	Nylon spider bushing w/03-208 support bushing - 4 bolt retainer plate	280
	08-132310	08-132360	Sintered metal spider bushing w/03-208 support bushing - 4 bolt retainer plate	280
	08-134100	08-134150	Nylatron spider bushing w/rigid support bracket	282

### Cam Lengths Available

Length (A)	DP Part Number	Right Hand/Left Hand Rotation	OEM Part Number
21 1/4	04-632131	Right	M12WKR10-214
	04-632132	Left	M12WKL10-214
22 3/8	04-632231	Right	M12WKR10-225
	04-632232	Left	M12WKL10-225
23 1/8	04-632321	Right	M12WKR10-233
	04-632322	Left	M12WKL10-233
23 7/8	04-632401	Right	M12WKR10-241
	04-632402	Left	M12WKL10-241

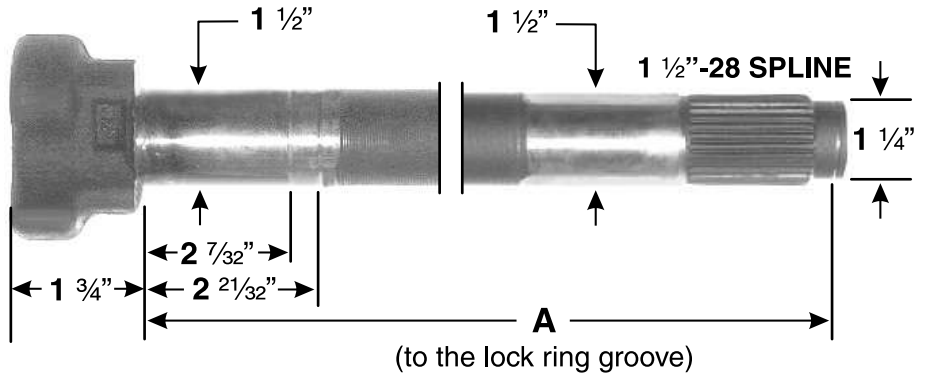
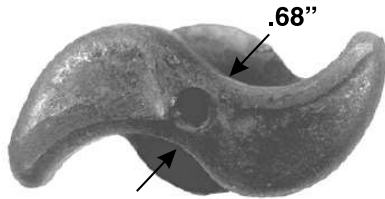
# Cams

## 12 1/4" Dana Trailer axle - FC & FT series

### MASTER GROUP 64

Cams

RIGHT HAND SHOWN



Type of Kit	Axle Kit	Wheel Kit	Comments	Page
Brake	—	08-105700	1 1/2" rollers FC series - 1" anchor pin holes	171
Camshaft	08-132300	08-132350	Nylon spider bushing w/03-208 support bushing - 4 bolt retainer plate	280
	08-132310	08-132360	Sintered metal spider bushing w/03-208 support bushing - 4 bolt retainer plate	280

### Cam Lengths Available

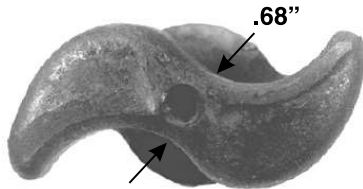
Length (A)	DP Part Number	Right Hand/Left Hand Rotation	OEM Part Number
21 1/4	04-642131	Right	M12WKR20-214
	04-642132	Left	M12WKL20-214
22	04-642211	Right	M12WKR20-222
	04-642212	Left	M12WKL20-222
23 1/8	04-642321	Right	M12WKR20-233
	04-642322	Left	M12WKL20-233

# 12 1/4" Dana Trailer axle - FC-111 series

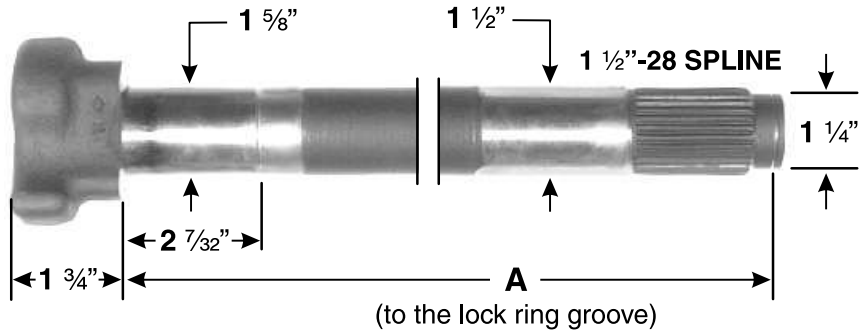
Cams

## MASTER GROUP 54

Cams



RIGHT HAND SHOWN



Type of Kit	Axle Kit	Wheel Kit	Comments	Page
Brake	—	08-104900	1 1/2" roller - standard return spring - 1 1/4" anchor pin holes	172
Camshaft	08-132900	08-132950	Sintered metal spider bushing w/03-208 support bushing - Aug 95 to May 98	281
	08-132903	—	Sintered metal spider bushing w/03-2081 & 03-2082 support bushings, axle kit - May 98 & after	281

### Cam Lengths Available

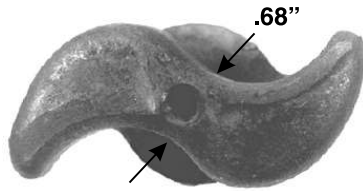
Length (A)	DP Part Number	Right Hand/Left Hand Rotation	OEM Part Number
21 1/4	04-542131	Right	M12WKR25-214
	04-542132	Left	M12WKL25-214
22	04-542211	Right	M12WKR25-222
	04-542212	Left	M12WKL25-222
23 1/8	04-542321	Right	M12WKR25-233
	04-542322	Left	M12WKL25-233

# Cams

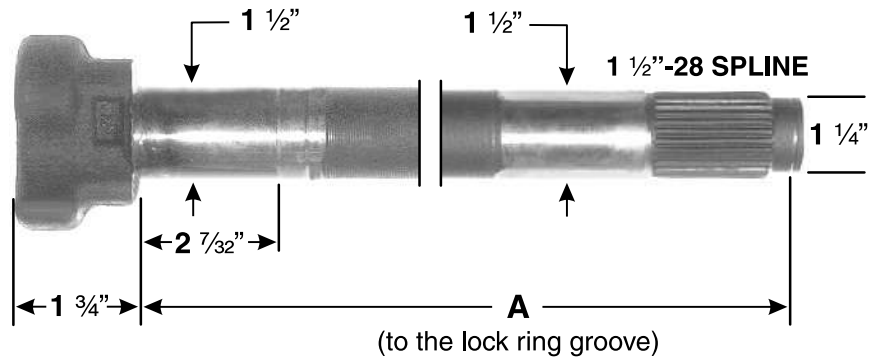
## 12 1/4" Dexter Trailer axle - PQ & QM series

### MASTER GROUP 67

Cams



RIGHT HAND SHOWN



Type of Kit	Axle Kit	Wheel Kit	Comments	Page
Brake	—	08-104700	1 1/2" roller - standard return spring - PQ shoe	175
Camshaft	08-132300	08-132350	Nylon spider bushing w/03-208 support bushing - 4 bolt retainer plate	283
	08-132310	08-132360	Sintered metal spider bushing w/03-208 support bushing - 4 bolt retainer plate	283

### Cam Lengths Available

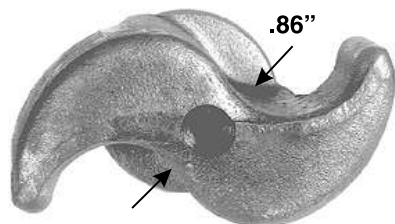
Length (A)	DP Part Number	Right Hand/Left Hand Rotation	OEM Part Number
21 1/8	04-672121	Right	034-189-00
	04-672122	Left	034-188-00
22 5/16	04-672231	Right	034-189-03
	04-672232	Left	034-188-03
23 3/8	04-672341	Right	034-189-05
	04-672342	Left	034-188-05
26 1/2	04-672651	Right	034-189-09
	04-672652	Left	034-188-09

# 12 1/4" Fruehauf Trailer axle - F series

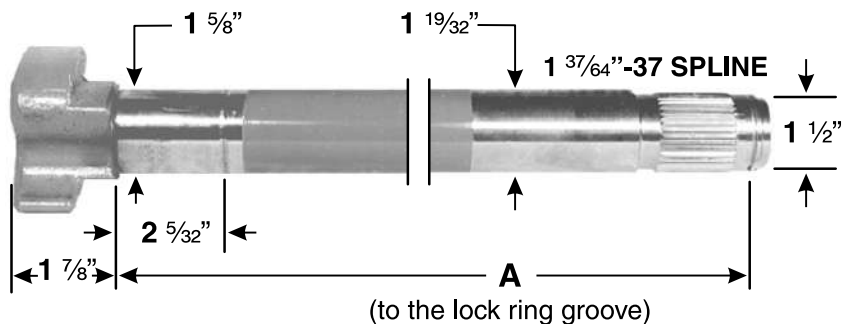
Cams

## MASTER GROUP 83

Cams



RIGHT HAND SHOWN



Type of Kit	Axle Kit	Wheel Kit	Comments	Page
Brake	—	08-107700	1" roller - standard return spring	176
Camshaft	08-133110	08-133160	Sintered metal spider bushing w/03-207 support bushing	284

### Cam Lengths Available

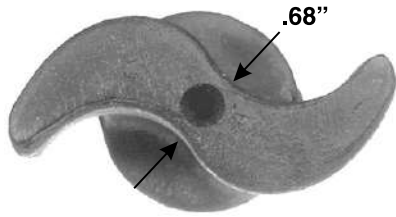
Length (A)	DP Part Number	Right Hand/Left Hand Rotation	OEM Part Number
21 1/8	04-832121	Right	ACD-2193-5
	04-832122	Left	ACD-2193-6

# Cams

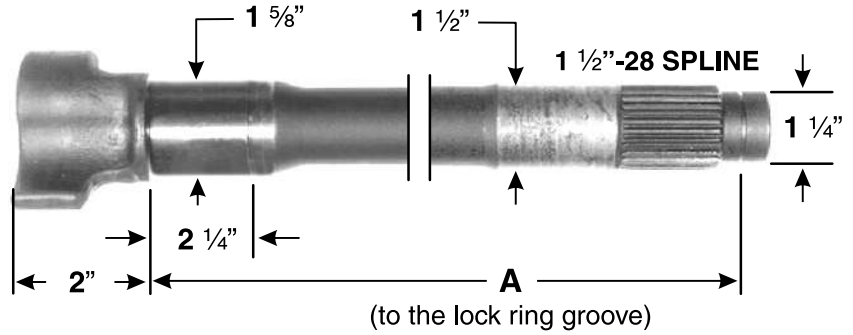
## 12 1/4" Hendrickson Trailer axle - HXS series - TRLAXLE

### MASTER GROUP 52

Cams



RIGHT HAND SHOWN



Type of Kit	Axle Kit	Wheel Kit	Comments	Page
Brake	—	08-105900	1 1/2" roller - standard return spring	177
Camshaft	08-130403	—	Sintered metal spider bushing w/03-2151 & 03-2152 support bushings - zerk screws into retainer plate	285

### Cam Lengths Available

Length (A)	DP Part Number	Right Hand/Left Hand Rotation	OEM Part Number
20 3/8	04-522041	Right	S-31110-34R
	04-522042	Left	S-31110-34L
23 1/2	04-522351	Right	S-31110-16R
	04-522352	Left	S-31110-16L
26 1/4	04-522631	Right	S-31110-41R
	04-522632	Left	S-31110-41L

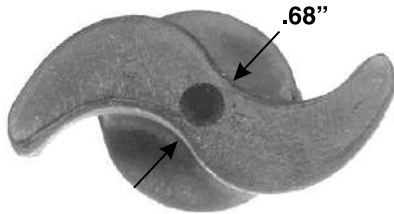


# 12 1/4" Rockwell Trailer axle - Q series

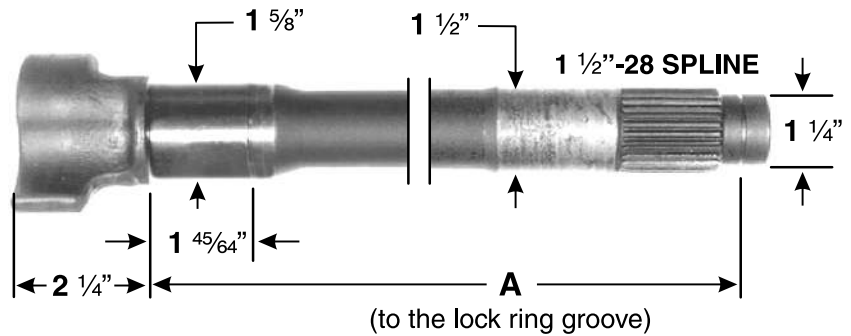
Cams

## MASTER GROUP 95

Cams



RIGHT HAND SHOWN



Type of Kit	Axle Kit	Wheel Kit	Comments	Page
Brake	—	08-109300	1 1/2" roller - standard return spring	178
Camshaft	08-130601	08-130651	Fiberfil spider bushing w/03-209 support bushing - zerk screws into bushing	286
	08-130605	08-130655	Fiberfil spider bushing w/03-2091 support bushing - zerk screws into retainer plate	286
	08-130621	08-130671	Sintered metal spider bushing w/03-209 support bushing - zerk screws into bushing	286
	08-130625	08-130675	Sintered metal spider bushing w/03-2091 support bushing - zerk screws into retainer plate	286

### Cam Lengths Available

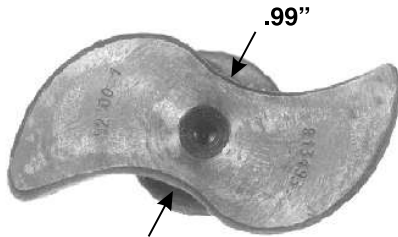
Length (A)	DP Part Number	Right Hand/Left Hand Rotation	OEM Part Number
23 1/4	04-952331	Right	2210-F-6168, 2210-G-5961
	04-952332	Left	2210-E-6167, 2210-F-5960

# Cams

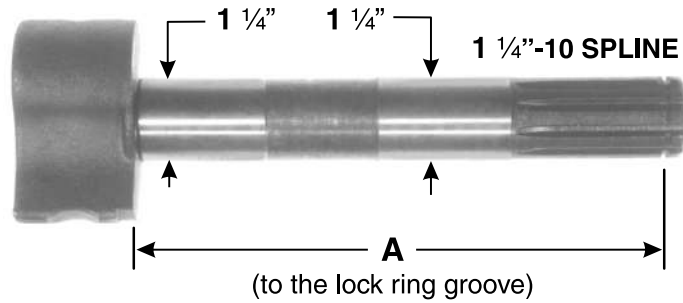
# 15" Eaton Steer axle - ES series

## MASTER GROUP 16

Cams



**RIGHT HAND SHOWN**



**NOTE: ES cams will work with EB or ES brake shoes.**

Type of Kit	Axle Kit	Wheel Kit	Comments	Page
Brake	—	<b>08-111300</b>	1 1/4" roller - standard return spring - OE Equivalent	181
Brake	—	<b>1308E00</b>	1 1/4" roller - standard return spring - Cost-Plus	—
Camshaft	<b>08-137500</b>	<b>08-137550</b>	Nylatron bushings	289

### Cam Lengths Available

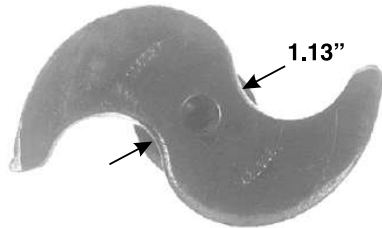
Length (A)	DP Part Number	Right Hand/Left Hand Rotation	OEM Part Number
9 3/16	<b>04-160931</b>	Right	813481
	<b>04-160932</b>	Left	813480
10 15/16	<b>04-161111</b>	Right	813485
	<b>04-161112</b>	Left	813484

# 15" Eaton Steer & Drive axle - ES-II series reduced envelope

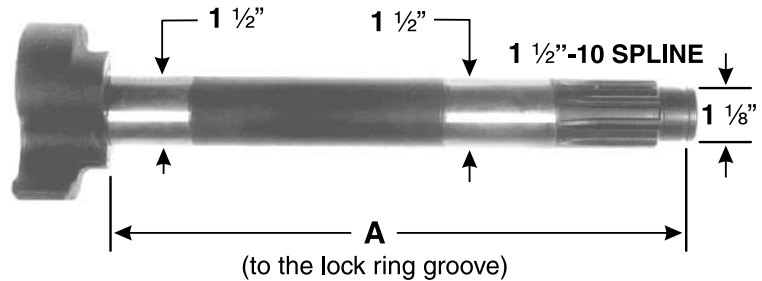
## Cams

Cams

### MASTER GROUP 39



RIGHT HAND SHOWN



NOTE: ES cams will work with EB, ES or ES-II brake shoes.

Type of Kit	Axle Kit	Wheel Kit	Comments	Page
Brake	—	08-104400	1 1/4" roller - (2) 01-340 return springs hook onto pins on the brake spider	183
	—	08-104430	1 1/4" roller - (1) 01-347 return spring	183
Camshaft	08-135101	08-135151	Nylatron spider bushing	290
	08-135111	08-135161	Sintered metal spider bushing	290

### Cam Lengths Available

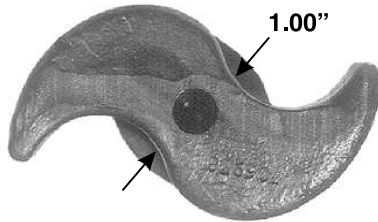
Length (A)	DP Part Number	Right Hand/Left Hand Rotation	OEM Part Number
8 11/16	04-390861	Right	808709
	04-390862	Left	808708
10 7/16	04-391051	Right	808073
	04-391052	Left	808072
10 5/8	04-391061	Right	807859
	04-391062	Left	807858
10 13/16	04-391071	Right	810457
	04-391072	Left	810456
11 1/4	04-391121	Right	808295
	04-391122	Left	808294
11 5/8	04-391161	Right	806527
	04-391162	Left	806526
12 9/16	04-391251	Right	808291
	04-391252	Left	808290
13 1/2	04-391351	Right	808069
	04-391352	Left	808068
14 3/8	04-391441	Right	807863
	04-391442	Left	807862
14 11/16	04-391461	Right	809831
	04-391462	Left	809830
15 1/8	04-391521	Right	808065
	04-391522	Left	808064
15 13/16	04-391571	Right	811669
	04-391572	Left	811668

# Cams

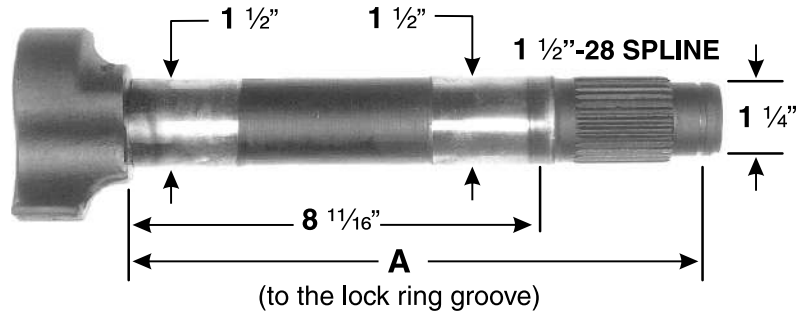
# 15" Hendrickson Trailer axle - HXS series - Intraax

## MASTER GROUP 25

Cams



**RIGHT HAND SHOWN**



Type of Kit	Axle Kit	Wheel Kit	Comments	Page
Brake	—	<b>08-116000</b>	1 1/4" roller - standard return spring - OE Equivalent	184
	—	<b>4702Q00</b>	1 1/4" roller - standard return spring - Cost-Plus	—
Cam tube	—	<b>03-1450</b>	Nylon bushings, wheel kit only	291

### Cam Lengths Available

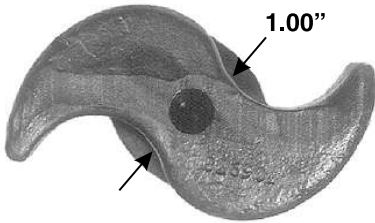
Length (A)	DP Part Number	Right Hand/Left Hand Rotation	OEM Part Number
10 7/8	<b>04-251101</b>	Right	S-25024-1R
	<b>04-251102</b>	Left	S-25024-1L

# 15" Hendrickson Trailer axle - HXS series - TRLAXLE

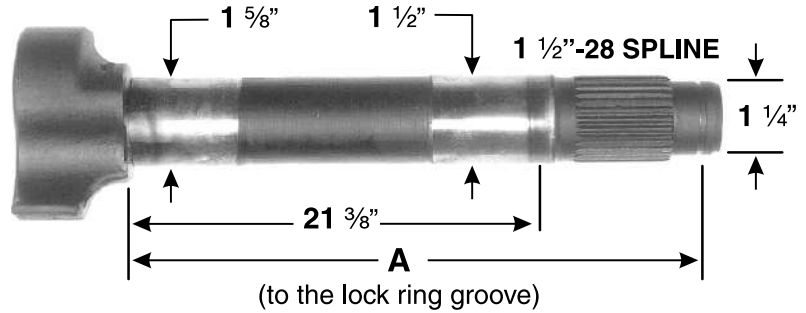
Cams

## MASTER GROUP 76

Cams



RIGHT HAND SHOWN



Type of Kit	Axle Kit	Wheel Kit	Comments	Page
Brake	—	<b>08-116000</b>	1 1/4" roller - standard return spring - OE Equivalent	184
	—	<b>4702Q00</b>	1 1/4" roller - standard return spring - Cost-Plus	—
Cam tube	—	<b>S-35322-9</b>	Cam tube only	—

### Cam Lengths Available

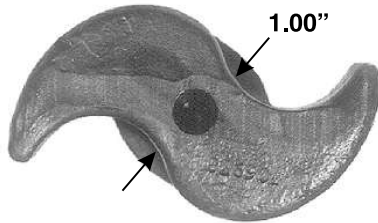
Length (A)	DP Part Number	Right Hand/Left Hand Rotation	OEM Part Number
23 1/2	<b>04-762351</b>	Right	S-31902-1R
	<b>04-762352</b>	Left	S-31902-1L

# Cams

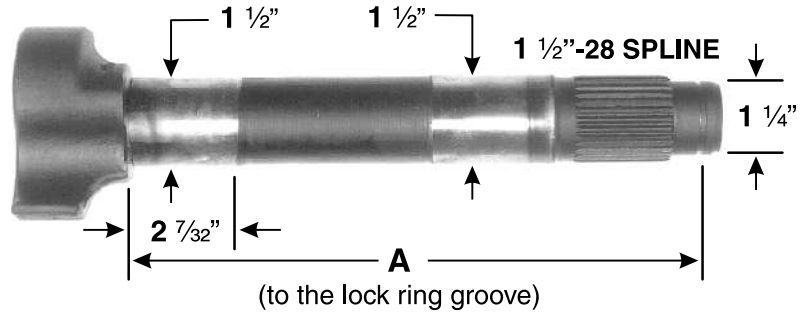
# 15" Ingersoll Trailer axle - Time series

## MASTER GROUP 77

Cams



**RIGHT HAND SHOWN**



Type of Kit	Axle Kit	Wheel Kit	Comments	Page
Brake	—	<b>08-116000</b>	1 1/4" roller - standard return spring - OE Equivalent	185
	—	<b>4702000</b>	1 1/4" roller - standard return spring - Cost-Plus	—
Camshaft	<b>08-132100</b>	<b>08-132150</b>	Nylon spider bushing w/03-208 support bushing - 4 bolt retainer plate	292
	<b>08-132110</b>	<b>08-132160</b>	Sintered metal spider bushing w/03-208 support bushing - 4 bolt retainer plate	292

### Cam Lengths Available

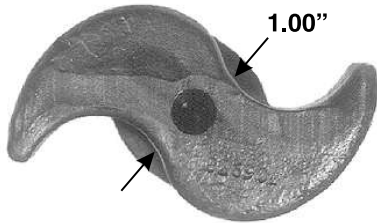
Length (A)	DP Part Number	Right Hand/Left Hand Rotation	OEM Part Number
23 1/2	<b>04-772351</b>	Right	202132-236RH
	<b>04-772352</b>	Left	202132-236LH

# 15" Rockwell Steer & Drive axle - Q-Plus series

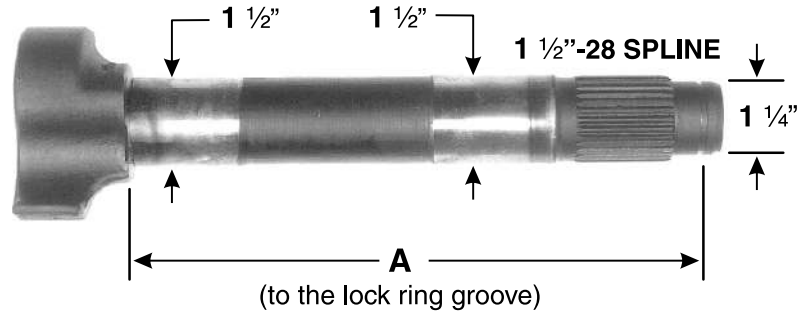
Cams

## MASTER GROUP 26

Cams



RIGHT HAND SHOWN



Type of Kit	Axle Kit	Wheel Kit	Comments	Page
Brake	—	08-116000	1 1/4" roller - standard return spring - OE Equivalent	187
	—	4702Q00	1 1/4" roller - standard return spring - Cost-Plus	—
Camshaft	08-131800	08-131850	Nylatron spider bushing	294
	08-131810	08-131860	Sintered metal spider bushing	294

### Cam Lengths Available

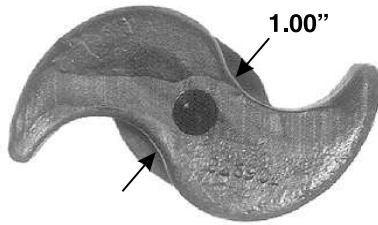
Length (A)	DP Part Number	Right Hand/Left Hand Rotation	OEM Part Number
8 7/16	04-260851	Right	2210-J-7420
	04-260852	Left	2210-H-7418
8 3/4	04-260871	Right	2210-R-7428
	04-260872	Left	2210-S-7429
9 5/16	04-260931	Right	2210-J-6976
	04-260932	Left	2210-H-6978
9 1/2	04-260951	Right	2210-R-7454
	04-260952	Left	2210-S-7455

# Cams

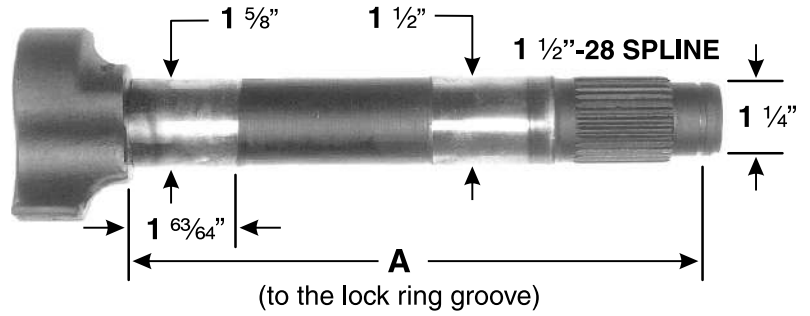
# 15" Rockwell Trailer axle - Q-Plus series

## MASTER GROUP 90

Cams



**RIGHT HAND SHOWN**



Type of Kit	Axle Kit	Wheel Kit	Comments	Page
Brake	—	<b>08-116000</b>	1 1/4" roller - standard return spring - OE Equivalent	187
	—	<b>4702Q00</b>	1 1/4" roller - standard return spring - Cost-Plus	—
Camshaft	<b>08-130615</b>	<b>08-130665</b>	Sintered metal 4 bolt boss w/03-2091 support bushing - zerk screws into retainer plate	295
	<b>08-130611</b>	<b>08-130661</b>	Sintered metal 4 bolt boss w/03-209 support bushing - zerk screws into bushing	295

### Cam Lengths Available

Length (A)	DP Part Number	Right Hand/Left Hand Rotation	OEM Part Number
23 3/8	<b>04-902341</b>	Right	2210-C-7959
	<b>04-902342</b>	Left	2210-B-7958

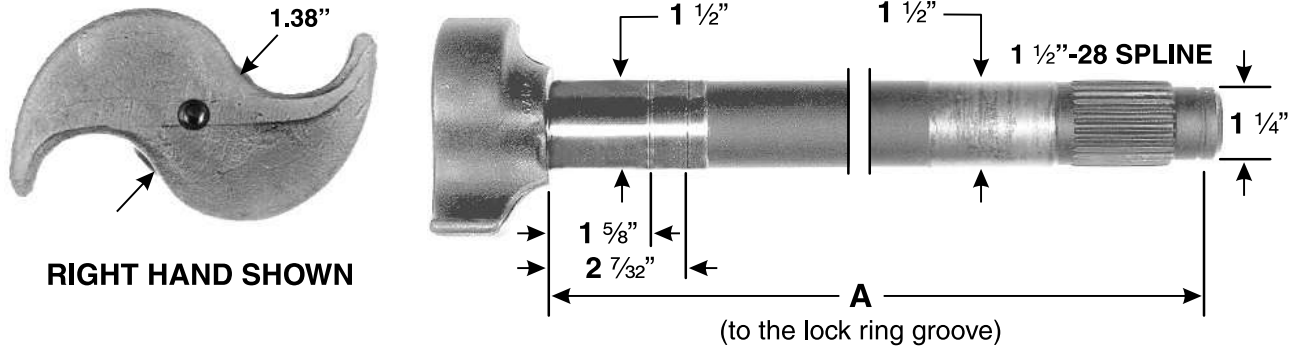


# 16 1/2" Dana Trailer axle - FC series

# Cams

## MASTER GROUP 58

Cams



Type of Kit	Axle Kit	Wheel Kit	Comments	Page
Brake	—	08-108830	1 1/4" roller - heavy duty return spring - OE Equivalent	189
	—	4515Q30	1 1/4" roller - heavy duty return spring - Cost-Plus	—
Camshaft	08-132110	08-132160	Sintered metal spider bushing w/03-208 support bushing - 4 bolt retainer plate	296

### Cam Lengths Available

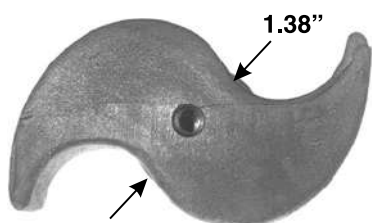
Length (A)	DP Part Number	Right Hand/Left Hand Rotation	OEM Part Number
20 3/8"	04-582041	Right	M16WK105-17
	04-582042	Left	M16WK104-17
22 7/8"	04-582271	Right	M16WK105-23
	04-582272	Left	M16WK104-23
23 1/2"	04-582351	Right	M16WK105-25
	04-582352	Left	M16WK104-25

# Cams

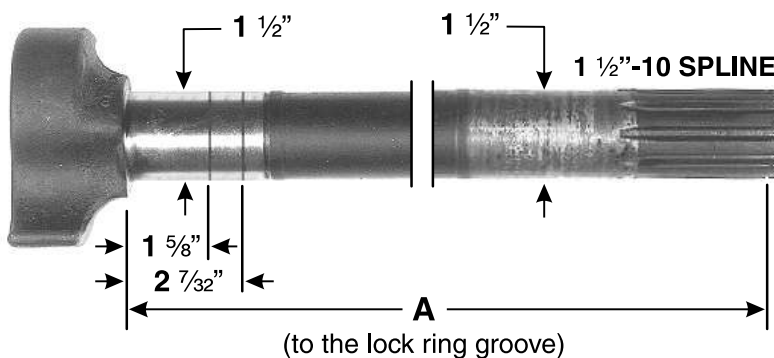
# 16 1/2" Dana Trailer axle - FT series

## MASTER GROUP 57

Cams



RIGHT HAND SHOWN



Type of Kit	Axle Kit	Wheel Kit	Comments	Page
Brake	—	08-108830	1 1/4" roller - heavy duty return spring - OE Equivalent - Q shoe	189
	—	4515Q30	1 1/4" roller - heavy duty return spring - Cost-Plus - Q shoe	—
Camshaft	08-132100	08-132150	Nylon spider bushing w/03-208 support bushing - 4 bolt retainer plate	296
	08-132110	08-132160	Sintered metal spider bushing w/03-208 support bushing - 4 bolt retainer plate	296

### Cam Lengths Available

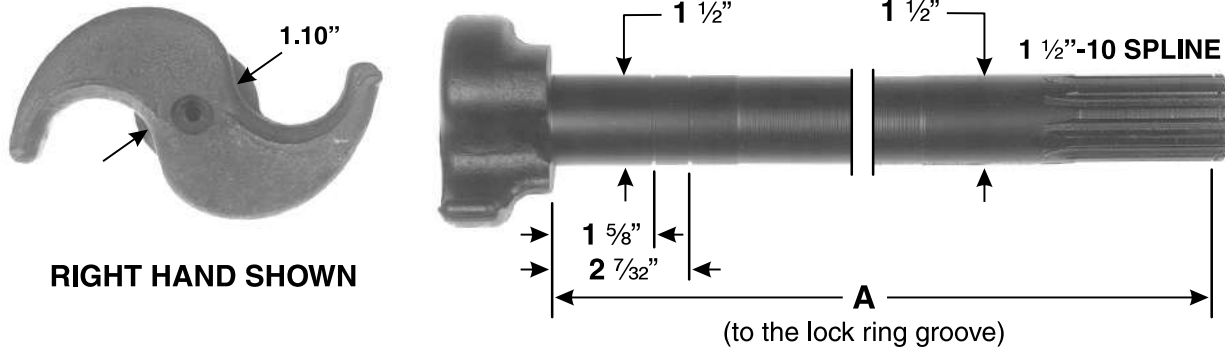
Length (A)	DP Part Number	Right Hand/Left Hand Rotation	OEM Part Number
7 3/8	04-570741	Right	M16WK103-71
	04-570742	Left	M16WK102-71
18 3/8	04-571841	Right	M16WK103-12, M16WK111-3
	04-571842	Left	M16WK102-12, M16WK110-3
18 5/8	04-571861	Right	M16WK103-13, M16WK111-4
	04-571862	Left	M16WK102-13, M16WK110-4
20 3/8	04-572041	Right	M16WK103-17, M16WK111-5
	04-572042	Left	M16WK102-17, M16WK110-5
21 1/8	04-572111	Right	M16WK103-19, M16WK111-6
	04-572112	Left	M16WK102-19, M16WK110-6
22 3/8	04-572241	Right	M16WK103-76, M16WK111-8
	04-572242	Left	M16WK102-76, M16WK110-8
23 1/2	04-572351	Right	M16WK103-25, M16WK111-9
	04-572352	Left	M16WK102-25, M16WK110-9
24 3/8	04-572441	Right	M16WK103-83, M16WK111-12
	04-572442	Left	M16WK102-83, M16WK110-12
26 1/2	04-572651	Right	17-592
	04-572652	Left	17-593

# 16 1/2" Dana Trailer axle - Xtra-Life series

Cams

## MASTER GROUP 59

Cams



RIGHT HAND SHOWN

Type of Kit	Axle Kit	Wheel Kit	Comments	Page
Brake	—	08-108830	1 1/4" roller - heavy duty return spring - OE Equivalent	190
	—	4515Q30	1 1/4" roller - heavy duty return spring - Cost-Plus	—
Camshaft	08-132110	08-132160	Sintered metal spider bushing w/03-208 support bushing - 4 bolt retainer plate	296

### Cam Lengths Available

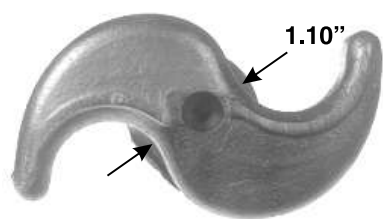
Length (A)	DP Part Number	Right Hand/Left Hand Rotation	OEM Part Number
7 3/8	04-590741	Right	M16WKR10-075
	04-590742	Left	M16WKL10-075
17 3/8	04-591741	Right	M16WKR10-175
	04-591742	Left	M16WKL10-175
20 3/8	04-592041	Right	M16WKR10-205
	04-592042	Left	M16WKL10-205
22 7/8	04-592301	Right	M16WKR10-231
	04-592302	Left	M16WKL10-231
23 1/2	04-592351	Right	M16WKR10-236
	04-592352	Left	M16WKL10-236
24	04-592411	Right	M16WKR10-242
	04-592412	Left	M16WKL10-242
26 1/4	04-592631	Right	M16WKR10-264
	04-592632	Left	M16WKL10-264
26 1/2	04-592651	Right	M16WKR10-266
	04-592652	Left	M16WKL10-266

# Cams

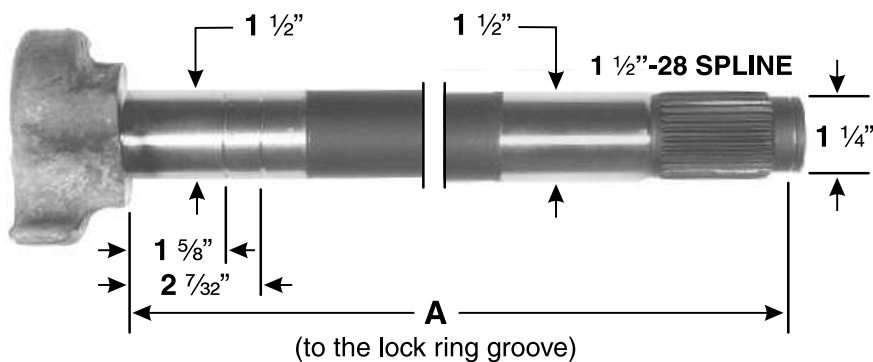
# 16 1/2" Dana Trailer axle - Xtra-Life series

## MASTER GROUP 60

Cams



RIGHT HAND SHOWN



Type of Kit	Axle Kit	Wheel Kit	Comments	Page
Brake	—	08-108830	1 1/4" roller - heavy duty return spring - OE Equivalent	190
	—	4515Q30	1 1/4" roller - heavy duty return spring - Cost-Plus	—
Camshaft	08-132110	08-132160	Sintered metal spider bushing w/03-208 support bushing - 4 bolt retainer plate	296

### Cam Lengths Available

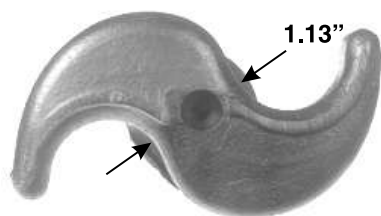
Length (A)	DP Part Number	Right Hand/Left Hand Rotation	OEM Part Number
17 3/8	04-601741	Right	M16WKR20-175
	04-601742	Left	M16WKL20-175
20 3/8	04-602041	Right	M16WKR20-205
	04-602042	Left	M16WKL20-205
21 3/8	04-602141	Right	M16WKR20-215
	04-602142	Left	M16WKL20-215
22 3/8	04-602241	Right	M16WKR20-225
	04-602242	Left	M16WKL20-225
22 7/8	04-602301	Right	M16WKR20-231
	04-602302	Left	M16WKL20-231
23 1/2	04-602351	Right	M16WKR20-236
	04-602352	Left	M16WKL20-236
23 7/8	04-602401	Right	M16WKR20-241
	04-602402	Left	M16WKL20-241
24 1/16	04-602411	Right	M16WKR20-242
	04-602412	Left	M16WKL20-242
25 7/8	04-602601	Right	M16WKR20-261
	04-602602	Left	M16WKL20-261
26 1/2	04-602651	Right	M16WKR20-266
	04-602652	Left	M16WKL20-266
26 7/8	04-602701	Right	M16WKR20-271
	04-602702	Left	M16WKL20-271
29	04-602911	Right	M16WKR20-292
	04-602912	Left	M16WKL20-292

# 16 1/2" Dana Trailer axle - Xtra-Life II series

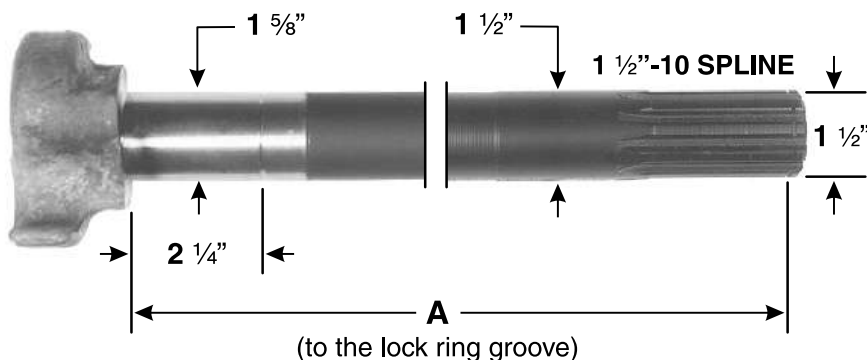
# Cams

## MASTER GROUP 55

Cams



RIGHT HAND SHOWN



Type of Kit	Axle Kit	Wheel Kit	Comments	Page
Brake	—	08-108830	1 1/4" roller - heavy duty return spring - OE Equivalent	190
	—	4515Q30	1 1/4" roller - heavy duty return spring - Cost-Plus	—
Camshaft	08-132800	08-132850	Sintered metal spider bushing w/03-208 support bushing - Aug 95 to May 98	297
	08-132803	—	Sintered metal spider bushing w/03-2081 & 03-2082 support bushings, axle kit - May 98 & after	297
	—	08-132801	Sintered metal spider bushing w/03-2081 support bushings, wheel kit - May 98 & after	297
	—	08-132802	Sintered metal spider bushing w/03-2082 support bushings, wheel kit - May 98 & after	297

### Cam Lengths Available

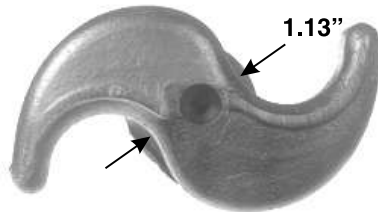
Length (A)	DP Part Number	Right Hand/Left Hand Rotation	OEM Part Number
23 1/2	04-552351	Right	M16WKR15-236
	04-552352	Left	M16WKL15-236

# Cams

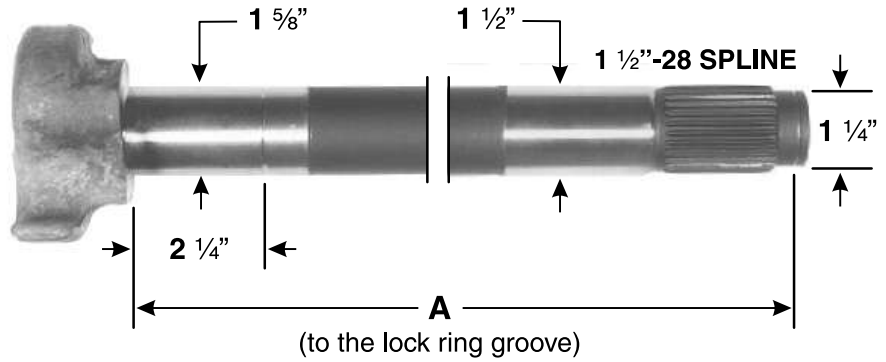
# 16 1/2" Dana Trailer axle - Xtra-Life II series

## MASTER GROUP 56

Cams



**RIGHT HAND SHOWN**



Type of Kit	Axle Kit	Wheel Kit	Comments	Page
Brake	—	<b>08-108830</b>	1 1/4" roller - heavy duty return spring - OE Equivalent	190
	—	<b>4515Q30</b>	1 1/4" roller - heavy duty return spring - Cost-Plus	—
Camshaft	<b>08-132800</b>	<b>08-132850</b>	Sintered metal spider bushing w/03-208 support bushing - Aug 95 to May 98	297
	<b>08-132803</b>	—	Sintered metal spider bushing w/03-2081 & 03-2082 support bushings, axle kit - May 98 & after	297
	—	<b>08-132801</b>	Sintered metal spider bushing w/03-2081 support bushings, wheel kit - May 98 & after	297
	—	<b>08-132802</b>	Sintered metal spider bushing w/03-2082 support bushings, wheel kit - May 98 & after	297

### Cam Lengths Available

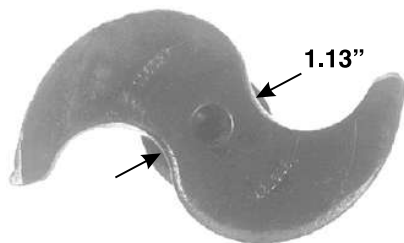
Length (A)	DP Part Number	Right Hand/Left Hand Rotation	OEM Part Number
17 3/8	<b>04-561741</b>	Right	M16WKR25-175
	<b>04-561742</b>	Left	M16WKL25-175
20 3/8	<b>04-562041</b>	Right	M16WKR25-205
	<b>04-562042</b>	Left	M16WKL25-205
21 3/8	<b>04-562141</b>	Right	M16WKR25-215
	<b>04-562142</b>	Left	M16WKL25-215
22 3/8	<b>04-562241</b>	Right	M16WKR25-225
	<b>04-562242</b>	Left	M16WKL25-225
22 7/8	<b>04-562301</b>	Right	M16WKR25-231
	<b>04-562302</b>	Left	M16WKL25-231
23 1/2	<b>04-562351</b>	Right	M16WKR25-236
	<b>04-562352</b>	Left	M16WKL25-236
24	<b>04-562411</b>	Right	M16WKR25-242
	<b>04-562412</b>	Left	M16WKL25-242
25	<b>04-562511</b>	Right	M16WKR25-252
	<b>04-562512</b>	Left	M16WKL25-252
26 1/4	<b>04-562631</b>	Right	M16WKR25-264
	<b>04-562632</b>	Left	M16WKL25-264
26 7/8	<b>04-562701</b>	Right	M16WKR25-271
	<b>04-562702</b>	Left	M16WKL25-271

# 16 1/2" Eaton Steer & Drive axle - ES-II series

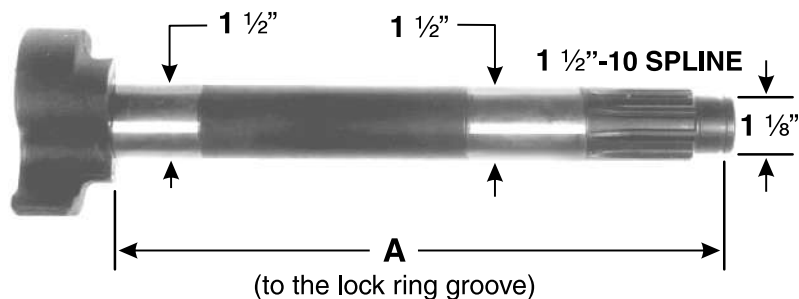
# Cams

## MASTER GROUP 39

Cams



RIGHT HAND SHOWN



**NOTE:** ES cams will work with EB, ES or ES-II brake shoes.

Type of Kit	Axle Kit	Wheel Kit	Comments	Page
Brake	—	08-114900	1 1/4" roller - 01-3864 return spring - OE Equivalent	192
Brake	—	08-114920	1 1/4" roller - (2) 01-340 return springs, use w/02-362 return spring collar - OE Equivalent	192
Brake	—	470902	1 1/4" roller - 01-3864 return spring - Cost-Plus	—
Brake	—	470920	1 1/4" roller - (2) 01-340 return springs, use w/02-362 return spring collar - Cost-Plus	—
Brake	—	08-115700	1 1/4" roller - Cast shoe	191
Camshaft	08-135101	08-135151	Nylatron spider bushing	298
Camshaft	08-135111	08-135161	Sintered metal spider bushing	298

### Cam Lengths Available

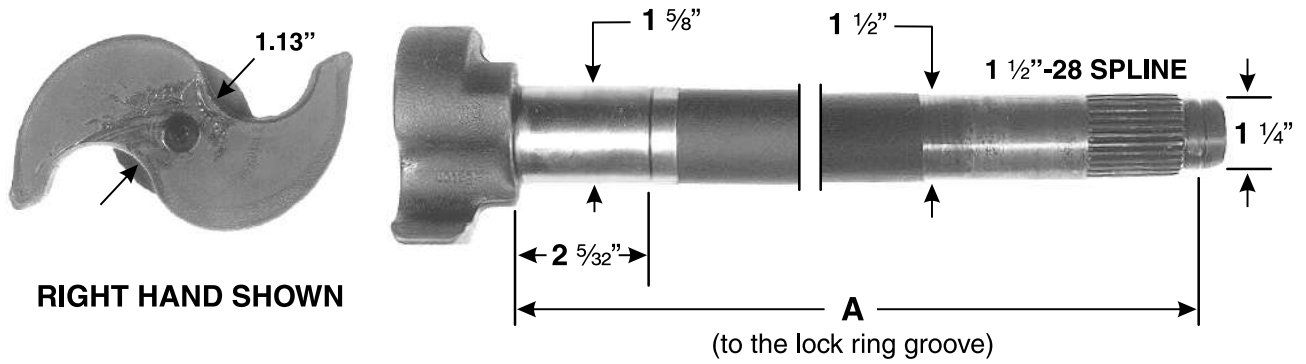
Length (A)	DP Part Number	Right Hand/Left Hand Rotation	OEM Part Number
8 1/16	04-390861	Right	808709
	04-390862	Left	808708
10 7/16	04-391051	Right	808073
	04-391052	Left	808072
10 5/8	04-391061	Right	807859
	04-391062	Left	807858
10 13/16	04-391071	Right	810457
	04-391072	Left	810456
11 1/4	04-391121	Right	808295
	04-391122	Left	808294
11 5/8	04-391161	Right	806527
	04-391162	Left	806526
12 9/16	04-391251	Right	808291
	04-391252	Left	808290
13 1/2	04-391351	Right	808069
	04-391352	Left	808068
14 3/8	04-391441	Right	807863
	04-391442	Left	807862
14 11/16	04-391461	Right	809831
	04-391462	Left	809830
15 1/8	04-391521	Right	808065
	04-391522	Left	808064
15 13/16	04-391571	Right	811669
	04-391572	Left	811668

# Cams

# 16 1/2" Eaton Trailer axle - ES series

## MASTER GROUP 74

Cams



**NOTE: ES cams will work with EB, ES or ES-II brake shoes.**

Type of Kit	Axle Kit	Wheel Kit	Comments	Page
Brake	—	<b>08-114900</b>	1 1/4" roller - OE Equivalent - E2 shoe	192
	—	<b>470902</b>	1 1/4" roller - Cost-Plus - E2 shoe	—
Camshaft	<b>08-136400</b>	<b>08-136450</b>	Nylatron spider bushing w/03-214 support bushing	299

### Cam Lengths Available

Length (A)	DP Part Number	Right Hand/Left Hand Rotation	OEM Part Number
19 1/2	<b>04-741941</b>	Right	810539
	<b>04-741942</b>	Left	810538
23 3/4	<b>04-742361</b>	Right	810026
	<b>04-742362</b>	Left	810025

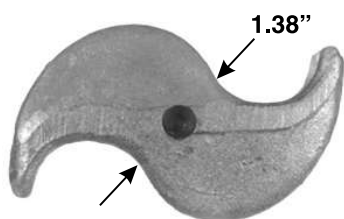


# 16 1/2" Fruehauf Trailer axle - F & XEM series - Propar axle

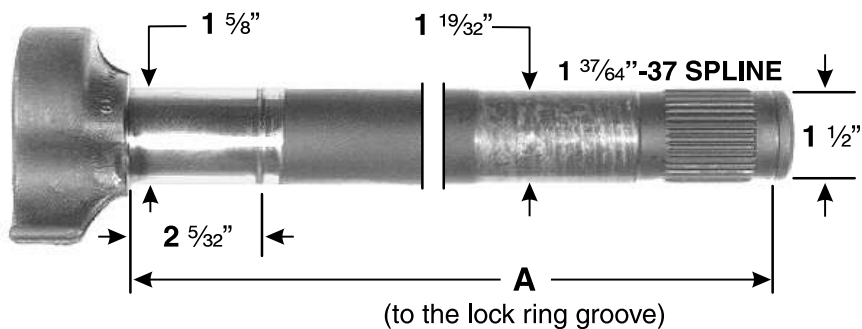
Cams

## MASTER GROUP 81

Cams



RIGHT HAND SHOWN



Type of Kit	Axle Kit	Wheel Kit	Comments	Page
Brake	—	08-109130	1 1/4" roller - heavy duty return spring - OE Equivalent - X shoe	193
	—	4515X31	1 1/4" roller - heavy duty return spring - Cost-Plus - X shoe	—
Camshaft	08-133110	08-133160	Sintered metal spider bushing w/03-207 support bushing	301
	08-133111	08-133161	Sintered metal spider bushing w/03-206 support bushing	301

### Cam Lengths Available

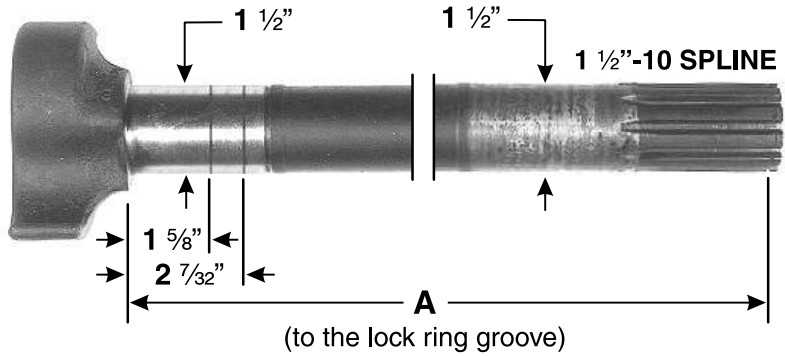
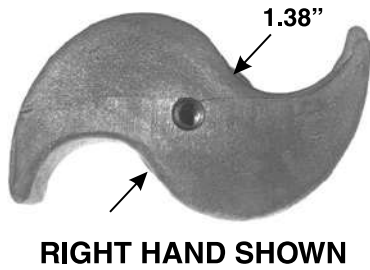
Length (A)	DP Part Number	Right Hand/Left Hand Rotation	OEM Part Number
16 1/8	04-811621	Right	APA-0420-2
	04-811622	Left	APA-0420-1
21 1/8	04-812121	Right	APA-0420-4
	04-812122	Left	APA-0420-3
23 7/8	04-812401	Right	APA-0420-6
	04-812402	Left	APA-0420-5

# Cams

## 16 1/2" Fruehauf Trailer axle - F series - TFK axle

### MASTER GROUP 57

Cams



Type of Kit	Axle Kit	Wheel Kit	Comments	Page
Brake	—	08-109130	1 1/4" roller - heavy duty return spring - OE Equivalent - X shoe	193
	—	4515X31	1 1/4" roller - heavy duty return spring - Cost-Plus - X shoe	—
Camshaft	08-130122	08-130172	Nylon spider bushing w/03-200 support bushing	300

### Cam Lengths Available

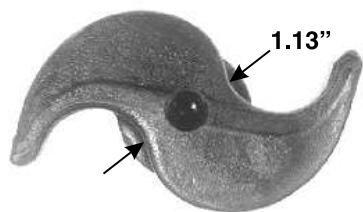
Length (A)	DP Part Number	Right Hand/Left Hand Rotation	OEM Part Number
20 3/8	04-572041	Right	219317
	04-572042	Left	219316
21 1/8	04-572111	Right	305681
	04-572112	Left	305680

# 16 1/2" Hendrickson Trailer axle - HXS series - Intraax axle

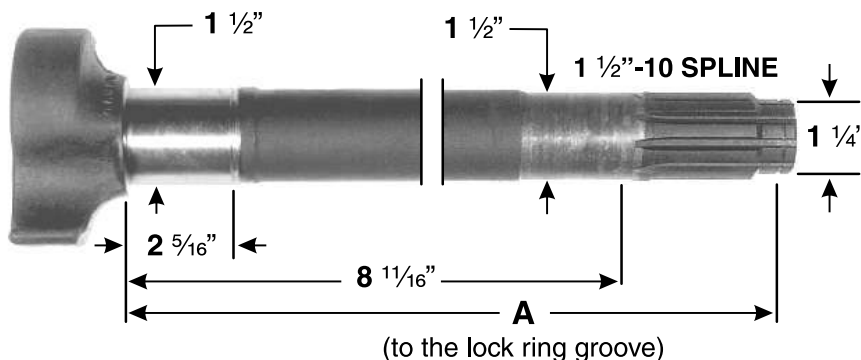
# Cams

Cams

## MASTER GROUP 85



RIGHT HAND SHOWN



Type of Kit	Axle Kit	Wheel Kit	Comments	Page
Brake	—	08-108830	1 1/4" roller - heavy duty return spring - OE Equivalent	194
	—	4515Q30	1 1/4" roller - heavy duty return spring - Cost-Plus	—
Camshaft	08-130311	08-130361	2" OD Sintered metal spider bushing w/03-2091 support bushing - zerk screws into retainer plate	302
Cam tube	—	03-1451HD	Sintered metal bushings, wheel kit only	303

### Cam Lengths Available

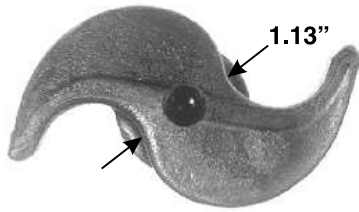
Length (A)	DP Part Number	Right Hand/Left Hand Rotation	OEM Part Number
11 1/16	04-851121	Right	S-23857-1R
	04-851122	Left	S-23857-1L

# Cams

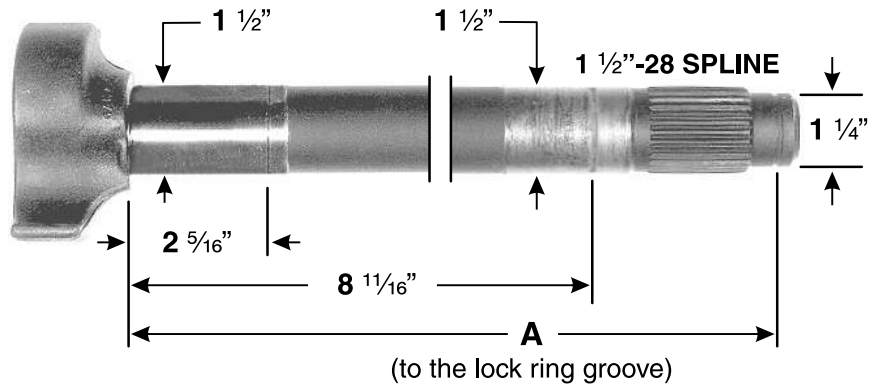
# 16 1/2" Hendrickson Trailer axle - HXS series - Intraax axle

## MASTER GROUP 87

Cams



RIGHT HAND SHOWN



Type of Kit	Axle Kit	Wheel Kit	Comments	Page
Brake	—	08-108830	1 1/4" roller - heavy duty return spring - OE Equivalent	194
	—	4515Q30	1 1/4" roller - heavy duty return spring - Cost-Plus	—
Camshaft	08-130311	08-130361	2" OD Sintered metal spider bushing w/03-2091 support bushing - zerk screws into retainer plate	302
Cam tube	—	03-1451HD	Sintered metal bushings, wheel kit only	303

### Cam Lengths Available

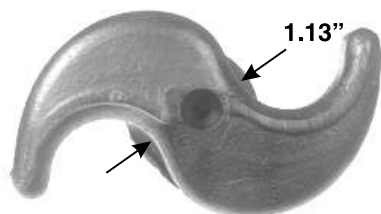
Length (A)	DP Part Number	Right Hand/Left Hand Rotation	OEM Part Number
11 1/16	04-871121	Right	S-23347-1R, S-24636-1R
	04-871122	Left	S-23347-1L, S-24636-1L

**16 1/2" Hendrickson  
Trailer axle - HXS series - TRLAXLE axle**

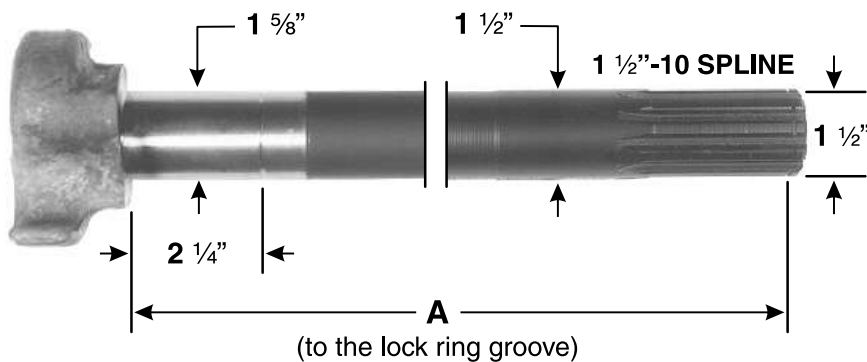
**Cams**

**MASTER GROUP 55**

**Cams**



**RIGHT HAND SHOWN**



Type of Kit	Axle Kit	Wheel Kit	Comments	Page
Brake	—	08-108830	1 1/4" roller - heavy duty return spring - OE Equivalent	194
	—	4515Q30	1 1/4" roller - heavy duty return spring - Cost-Plus	—
Camshaft	08-130403	—	Sintered metal spider bushing w/03-2151 & 03-2152 support bushings - zerk screws into retainer plate	304

**Cam Lengths Available**

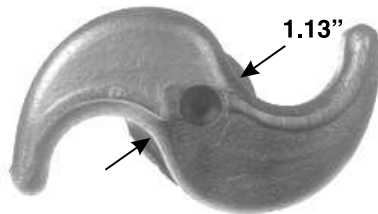
Length (A)	DP Part Number	Right Hand/Left Hand Rotation	OEM Part Number
23 1/2	04-552351	Right	S-30671-3R
	04-552352	Left	S-30671-3L

# Cams

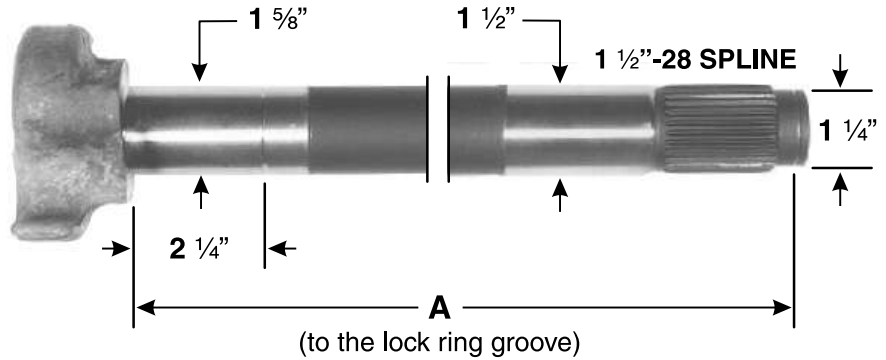
# 16 1/2" Hendrickson Trailer axle - HXS series - TRLAXLE axle

## MASTER GROUP 56

Cams



**RIGHT HAND SHOWN**



Type of Kit	Axle Kit	Wheel Kit	Comments	Page
Brake	—	<b>08-108830</b>	1 1/4" roller - heavy duty return spring - OE Equivalent	194
	—	<b>4515Q30</b>	1 1/4" roller - heavy duty return spring - Cost-Plus	—
Camshaft	<b>08-130403</b>	—	Sintered metal spider bushing w/03-2151 & 03-2152 support bushings - zerk screws into retainer plate	304

### Cam Lengths Available

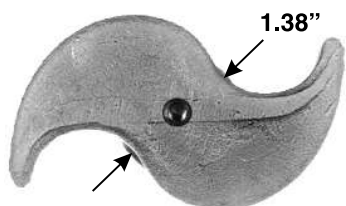
Length (A)	DP Part Number	Right Hand/Left Hand Rotation	OEM Part Number
17 3/8	<b>04-561741</b>	Right	S-30594-8R
	<b>04-561742</b>	Left	S-30594-8L
20 3/8	<b>04-562041</b>	Right	S-30594-9R
	<b>04-562042</b>	Left	S-30594-9L
21 3/8	<b>04-562141</b>	Right	S-30594-11R
	<b>04-562142</b>	Left	S-30594-11L
22 3/8	<b>04-562241</b>	Right	S-30594-12R
	<b>04-562242</b>	Left	S-30594-12L
23 1/2	<b>04-562351</b>	Right	S-30594-15R
	<b>04-562352</b>	Left	S-30594-15L
24	<b>04-562411</b>	Right	S-30594-17R
	<b>04-562412</b>	Left	S-30594-17L
25	<b>04-562511</b>	Right	S-30594-18R
	<b>04-562512</b>	Left	S-30594-18L
26 1/4	<b>04-562631</b>	Right	S-30594-21R
	<b>04-562632</b>	Left	S-30594-21L

**16 1/2" Hendrickson  
Trailer axle - Standard series - Intraax axle**

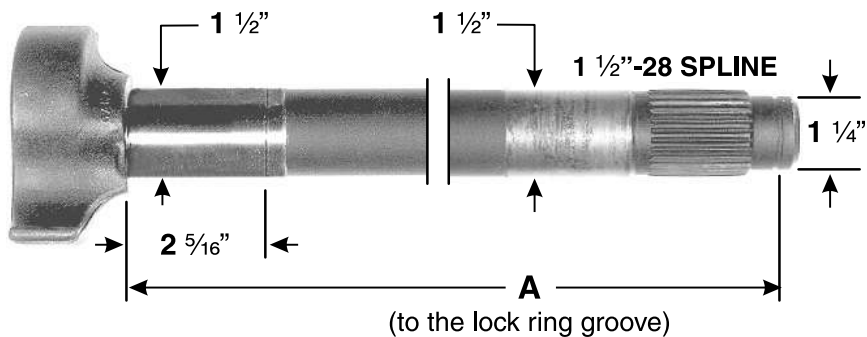
**Cams**

**MASTER GROUP 86**

**Cams**



**RIGHT HAND SHOWN**



Type of Kit	Axle Kit	Wheel Kit	Comments	Page
Brake	—	08-108830	1 1/4" roller - heavy duty return spring - OE Equivalent	195
	—	4515Q30	1 1/4" roller - heavy duty return spring - Cost-Plus	—
Camshaft	08-130301	08-130351	1 7/8" OD Sintered metal spider bushing w/03-2091 support bushing - zerk screws into retainer plate	302

**Cam Lengths Available**

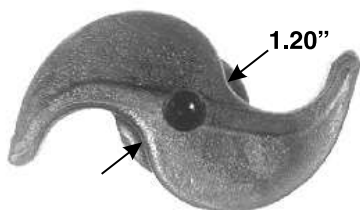
Length (A)	DP Part Number	Right Hand/Left Hand Rotation	OEM Part Number
11 1/16	04-861121	Right	S-20806-1R
	04-861122	Left	S-20806-1L

# Cams

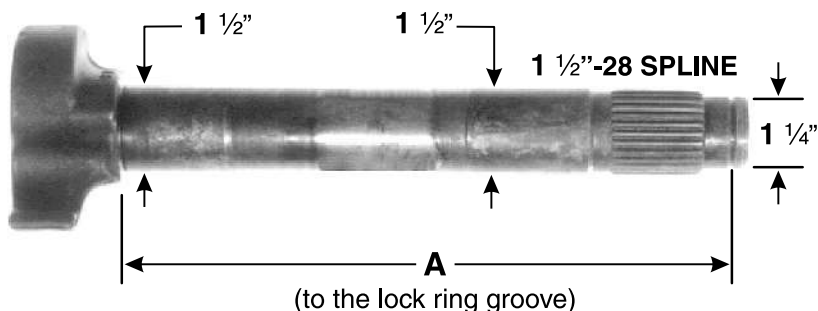
# 16 1/2" Rockwell Steer & Drive axle - Q-Plus series

## MASTER GROUP 48

Cams



RIGHT HAND SHOWN



**NOTE: Q-Plus cams will work with P, Q, or Q-Plus shoes**

Type of Kit	Axle Kit	Wheel Kit	Comments	Page
Brake	—	08-111630	1 1/4" roller - 01-3751 return spring - OE Equivalent - QP shoe steer axle	199
	—	08-108830	1 1/4" roller - heavy duty return spring - OE Equivalent - QP shoe drive axle	201
	—	4524MQ30	1 1/4" roller - 01-3751 return spring - Cost-Plus - QP shoe steer axle	—
	—	4515Q30	1 1/4" roller - heavy duty return spring - Cost-Plus - QP shoe drive axle	—
	—	08-109800	1 1/4" roller - 01-323 return spring - PC cast shoe	—
	—	08-109830	1 1/4" roller - 01-371 return spring - PC cast shoe	—
	—	08-126130	1 1/4" roller - 01-3751 return spring - CP shoe steer & drive axle	—
Camshaft	08-131800	08-131850	Nylatron spider bushing	305
	08-131810	08-131860	Sintered metal spider bushing	305

### Cam Lengths Available

Length (A)	DP Part Number	Right Hand/Left Hand Rotation	OEM Part Number
7 1/16	04-480771	Right	2210-K-7395
	04-480772	Left	2210-L-7396
8 1/16	04-480821	Right	2210-X-7408
	04-480822	Left	2210-Y-7409
8 7/16	04-480841	Right	2210-K-7421
	04-480842	Left	2210-L-7422
8 9/16	04-480861	Right	2210-P-7426
	04-480862	Left	2210-Q-7427
9 1/16	04-480921	Right	2210-F-7442
	04-480922	Left	2210-G-7443
9 1/2	04-480951	Right	2210-T-7456
	04-480952	Left	2210-U-7457
10 5/16	04-481031	Right	2210-V-7484, 2210-C-6607
	04-481032	Left	2210-W-7485, 2210-D-6608
10 1/2	04-481041	Right	2210-D-7492, 2210-P-6958
	04-481042	Left	2210-E-7493, 2210-Q-6959
10 5/8	04-481051	Right	2210-K-7499, 2210-R-6960
	04-481052	Left	2210-L-7500, 2210-S-6961
11	04-481111	Right	2210-Z-7514
	04-481112	Left	2210-A-7515
11 1/8	04-481121	Right	2210-H-7522, 2210-Z-7098
	04-481122	Left	2210-J-7524, 2210-A-7099

\*Continued on page 270

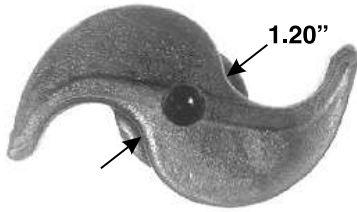


# 16 1/2" Rockwell Steer & Drive axle - Q-Plus series - continued

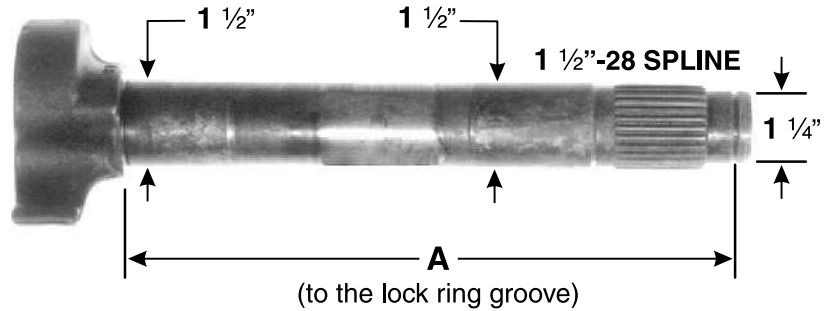
## Cams

Cams

### MASTER GROUP 48



RIGHT HAND SHOWN



**NOTE: Q-Plus** cams will work with **P, Q,** or **Q-Plus** shoes

### Cam Lengths Available - continued

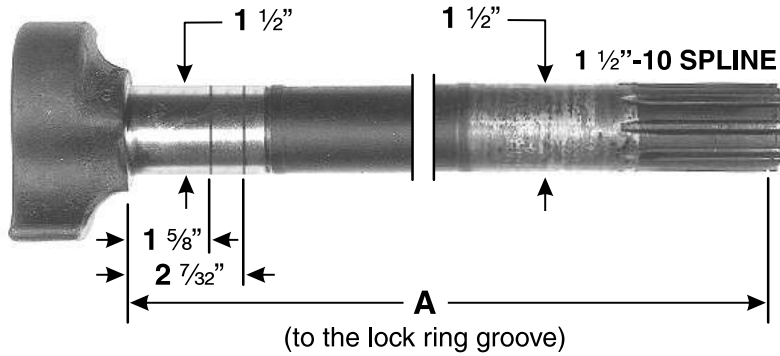
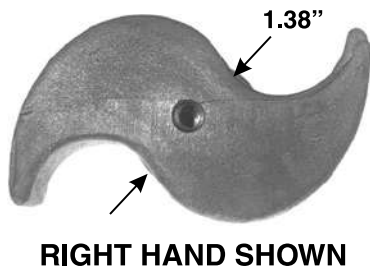
Length (A)	DP Part Number	Right Hand/Left Hand Rotation	OEM Part Number
11 5/16	04-481151	Right	2210-V-7536, 2210-Z-6942
	04-481152	Left	2210-W-7537, 2210-A-6943
11 3/4	04-481171	Right	2210-B-7542
	04-481172	Left	2210-C-7543
12	04-481211	Right	2210-K-7551
	04-481212	Left	2210-L-7552
12 1/2	04-481251	Right	2210-B-7568
	04-481252	Left	2210-C-7569
12 7/8	04-481301	Right	2210-P-7582
	04-481302	Left	2210-Q-7583
13	04-481311	Right	2210-T-7586
	04-481312	Left	2210-U-7587
13 1/4	04-481331	Right	2210-B-7594, 2210-Z-6994
	04-481332	Left	2210-C-7595, 2210-A-6995
13 1/2	04-481351	Right	2210-K-7837, 2210-T-6962
	04-481352	Left	2210-L-7838, 2210-U-6963
14 1/8	04-481421	Right	2210-H-7626, 2210-P-6984
	04-481422	Left	2210-J-7628, 2210-Q-6985
14 5/8	04-481461	Right	2210-Z-7644
	04-481462	Left	2210-A-7645
14 13/16	04-481471	Right	2210-H-7652, 2210-M-7189
	04-481472	Left	2210-J-7654, 2210-N-7190
15 1/4	04-481531	Right	2210-Z-7670, 2210-X-7070
	04-481532	Left	2210-A-7671, 2210-Y-7071
15 5/8	04-481561	Right	2210-M-7683
	04-481562	Left	2210-N-7684
15 3/4	04-481571	Right	2210-R-7688
	04-481572	Left	2210-S-7689
15 7/8	04-481601	Right	2210-V-7692
	04-481602	Left	2210-W-7693

# Cams

# 16 1/2" Rockwell Trailer axle - P series

## MASTER GROUP 57

Cams



Type of Kit	Axle Kit	Wheel Kit	Comments	Page
Brake	—	<b>08-108830</b>	1 1/4" roller - heavy duty return spring - OE Equivalent - Q shoe	—
	—	<b>4515Q30</b>	1 1/4" roller - heavy duty return spring - Cost-Plus - Q shoe	—
Camshaft	<b>08-130101</b>	<b>08-130151</b>	Fiberfil spider bushing w/03-209 support bushing - zerk screws into bushing - R axle 1969-74	306
	<b>08-130105</b>	<b>08-130155</b>	Fiberfil spider bushing w/03-2091 support bushing - zerk screws into retainer plate - R axle 1969-74	306

### Cam Lengths Available

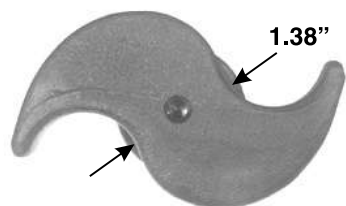
Length (A)	DP Part Number	Right Hand/Left Hand Rotation	OEM Part Number
18 3/8	<b>04-571841</b>	Right	2210-W-2337
	<b>04-571842</b>	Left	2210-X-2338
20 3/8	<b>04-572041</b>	Right	2210-E-5413, 2210-M-2483
	<b>04-572042</b>	Left	2210-F-5414, 2210-N-2484
21 1/8	<b>04-572111</b>	Right	2210-Z-6318, 2210-T-2490
	<b>04-572112</b>	Left	2210-A-6319, 2210-M-2491
22 3/8	<b>04-572241</b>	Right	2210-H-2946
	<b>04-572242</b>	Left	2210-J-2948
23 1/2	<b>04-572351</b>	Right	2210-Q-6387, 2210-W-3117
	<b>04-572352</b>	Left	2210-R-6388, 2210-X-3118
24 3/8	<b>04-572441</b>	Right	2210-B-6397, 2210-U-3375
	<b>04-572442</b>	Left	2210-A-6398, 2210-T-3374

# 16 1/2" Rockwell Trailer axle - Q series

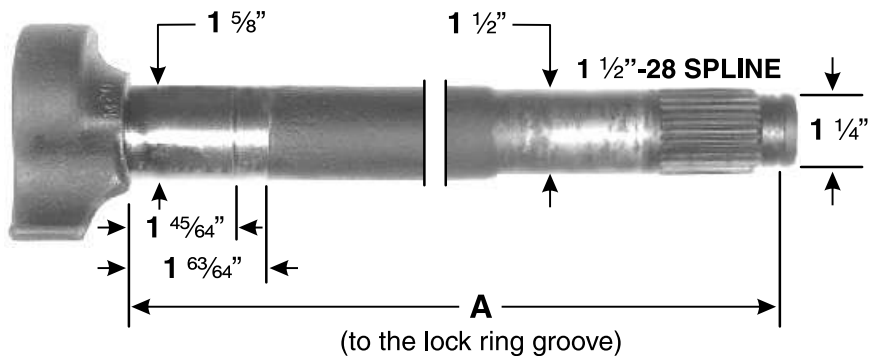
# Cams

## MASTER GROUP 89

Cams



RIGHT HAND SHOWN



Type of Kit	Axle Kit	Wheel Kit	Comments	Page
Brake	—	08-108830	1 1/4" roller - heavy duty return spring - OE Equivalent	200
	—	4515Q30	1 1/4" roller - heavy duty return spring - Cost-Plus	—
Camshaft	08-130601	08-130651	Fiberfil spider bushing w/03-209 support bushing - zerk screws into bushing	307
	08-130605	08-130655	Fiberfil spider bushing w/03-2091 support bushing - zerk screws into retainer plate	307
	08-130621	08-130671	Sintered metal spider bushing w/03-209 support bushing - zerk screws into bushing	307
	08-130625	08-130675	Sintered metal spider bushing w/03-2091 support bushing - zerk screws into retainer plate	307
	08-130611	08-130661	Sintered metal 4 bolt boss w/03-209 support bushing - zerk screws into bushing	307
	08-130615	08-130665	Sintered metal 4 bolt boss w/03-2091 support bushing - zerk screws into retainer plate	307

### Cam Lengths Available

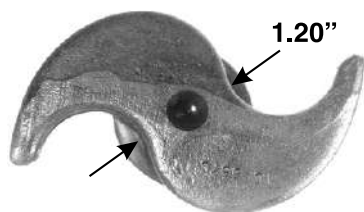
Length (A)	DP Part Number	Right Hand/Left Hand Rotation	OEM Part Number
17 5/16	04-891731	Right	2210-L-4328
	04-891732	Left	2210-M-4329
20 3/8	04-892041	Right	2210-Q-4333
	04-892042	Left	2210-R-4334
24 1/16	04-892421	Right	2210-N-4330
	04-892422	Left	2210-P-4332

# Cams

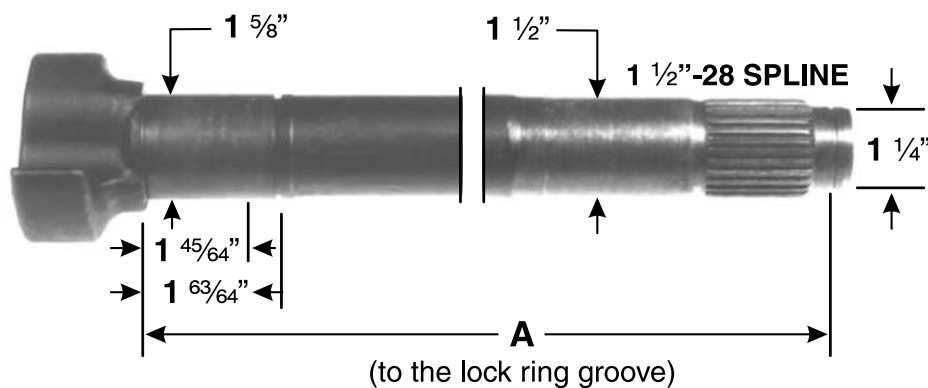
# 16 1/2" Rockwell Trailer axle - Q-Plus axle

## MASTER GROUP 93

Cams



RIGHT HAND SHOWN



**NOTE: Q-Plus cams will work with P, Q, or Q-Plus shoes**

Type of Kit	Axle Kit	Wheel Kit	Comments	Page
Brake	—	08-108830	1 1/4" roller - heavy duty return spring - OE Equivalent	201
	—	4515Q30	1 1/4" roller - heavy duty return spring - Cost-Plus	—
Camshaft	08-130611	08-130661	Sintered metal 4 bolt boss w/03-209 support bushing - zerk screws into bushing	307
	08-130615	08-130665	Sintered metal 4 bolt boss w/03-2091 support bushing - zerk screws into retainer plate	307

### Cam Lengths Available

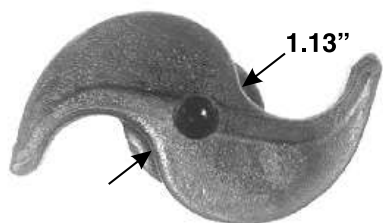
Length (A)	DP Part Number	Right Hand/Left Hand Rotation	OEM Part Number
17 5/16	04-931731	Right	2210-B-6866
	04-931732	Left	2210-C-6867
20 3/8	04-932041	Right	2210-F-6870
	04-932042	Left	2210-G-6871
24 1/16	04-932421	Right	2210-D-6868
	04-932422	Left	2210-E-6869

# 16 1/2" Watson Trailer axle - Integra series

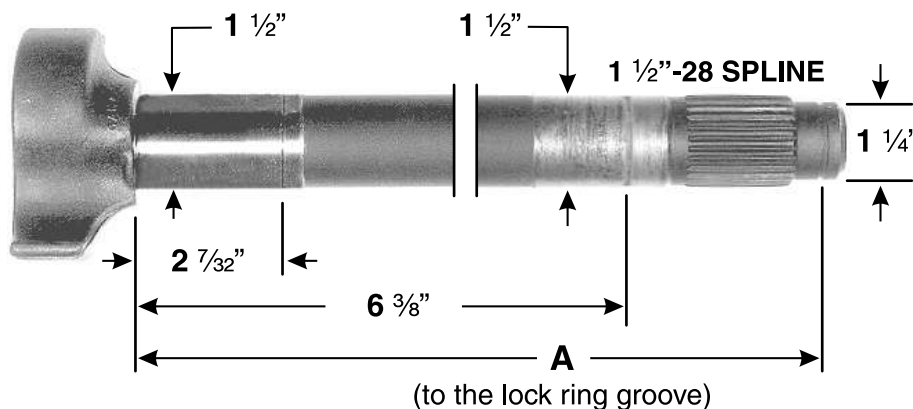
Cams

## MASTER GROUP 50

Cams



RIGHT HAND SHOWN



Type of Kit	Axle Kit	Wheel Kit	Comments	Page
Brake	—	<b>08-108830</b>	Heavy duty return spring - OE Equivalent	202
	—	<b>4515Q30</b>	Heavy duty return spring - Cost-Plus	—
Camshaft	—	<b>03-143</b>	Ingersoll axle 2 pc spider - Cam tube w/D head plate, wheel kit only	308
	—	<b>03-144</b>	Watson axle 1 pc spider - Cam tube w/square head plate, wheel kit only	309

### Cam Lengths Available

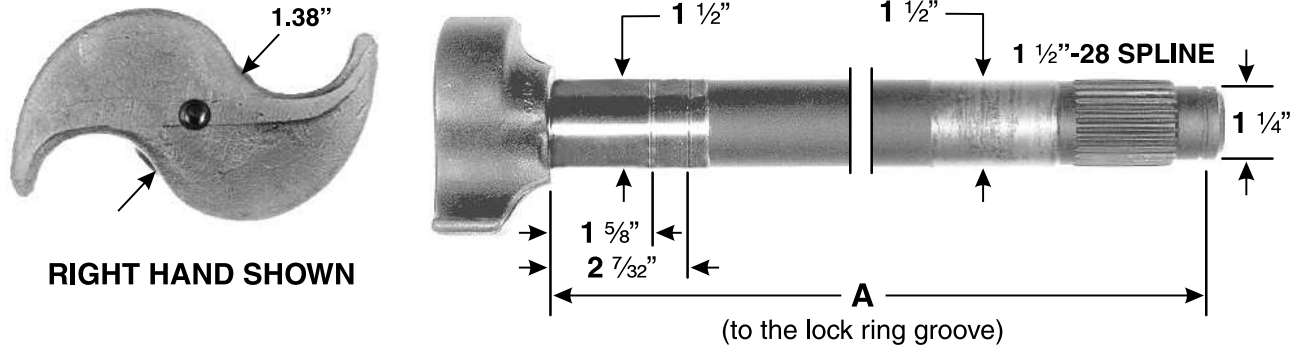
Length (A)	DP Part Number	Right Hand/Left Hand Rotation	OEM Part Number
8 13/16	<b>04-500871</b>	Right	3304-0626R, 202127-090RH
	<b>04-500872</b>	Left	3304-0626L, 202127-090LH

# Cams

18" Dana  
Trailer axle - FT series

MASTER GROUP 58

Cams



Type of Kit	Axle Kit	Wheel Kit	Comments	Page
Brake	—	08-109560	1 1/2" roller - heavy duty return spring	204
Camshaft	08-132110	08-132160	Sintered metal spider bushing w/03-208 support bushing - 4 bolt retainer plate	311

## Cam Lengths Available

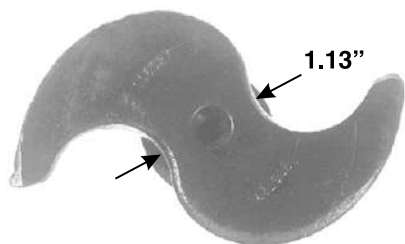
Length (A)	DP Part Number	Right Hand/Left Hand Rotation	OEM Part Number
20 3/8	04-582041	Right	M16WK105-17
	04-582042	Left	M16WK104-17
22 7/8	04-582271	Right	M16WK105-23
	04-582272	Left	M16WK104-23
23 1/2	04-582351	Right	M16WK105-25
	04-582352	Left	M16WK104-25

# 18" Eaton Drive axle - EB series

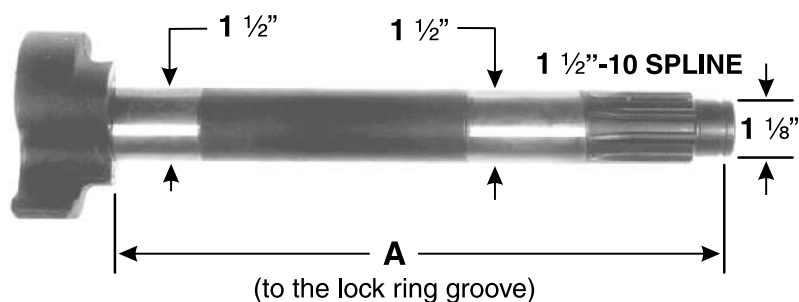
# Cams

## MASTER GROUP 39

Cams



RIGHT HAND SHOWN



**NOTE:** ES cams will work with EB, ES or ES-II brake shoes.

Type of Kit	Axle Kit	Wheel Kit	Comments	Page
Brake	—	08-109600	1 5/8" roller	205
Camshaft	08-135111	08-135161	Sintered metal spider bushing	312

### Cam Lengths Available

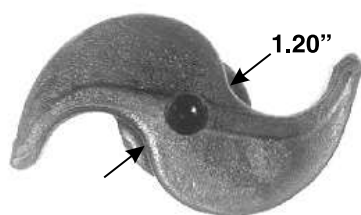
Length (A)	DP Part Number	Right Hand/Left Hand Rotation	OEM Part Number
8 11/16	04-390861	Right	808709
	04-390862	Left	808708
10 7/16	04-391051	Right	808073
	04-391052	Left	808072
10 5/8	04-391061	Right	807859
	04-391062	Left	807858
10 13/16	04-391071	Right	810457
	04-391072	Left	810456
11 1/4	04-391121	Right	808295
	04-391122	Left	808294
11 5/8	04-391161	Right	806527
	04-391162	Left	806526
12 9/16	04-391251	Right	808291
	04-391252	Left	808290
13 1/2	04-391351	Right	808069
	04-391352	Left	808068
14 3/8	04-391441	Right	807863
	04-391442	Left	807862
14 11/16	04-391461	Right	809831
	04-391462	Left	809830
15 1/8	04-391521	Right	808065
	04-391522	Left	808064
15 13/16	04-391571	Right	811669
	04-391572	Left	811668

# Cams

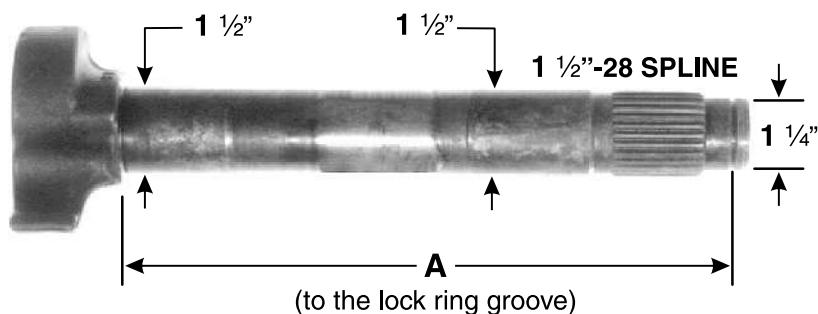
# 18" Rockwell Drive axle - P series

## MASTER GROUP 48

Cams



**RIGHT HAND SHOWN**



**NOTE: Q-Plus cams will work with P, Q, or Q-Plus shoes**

Type of Kit	Axle Kit	Wheel Kit	Comments	Page
Brake	—	08-109800	1 5/8" roller - 01-323 return spring	206
	—	08-109830	1 5/8" roller - 01-371 return spring	206
Camshaft	08-131810	08-131860	Sintered metal spider bushing	313

### Cam Lengths Available

Length (A)	DP Part Number	Right Hand/Left Hand Rotation	OEM Part Number
7 11/16	04-480771	Right	2210-K-7395
	04-480772	Left	2210-L-7396
8 1/16	04-480821	Right	2210-X-7408
	04-480822	Left	2210-Y-7409
8 7/16	04-480841	Right	2210-K-7421
	04-480842	Left	2210-L-7422
8 9/16	04-480861	Right	2210-P-7426
	04-480862	Left	2210-Q-7427
9 1/16	04-480921	Right	2210-F-7442
	04-480922	Left	2210-G-7443
9 1/2	04-480951	Right	2210-T-7456
	04-480952	Left	2210-U-7457
10 5/16	04-481031	Right	2210-V-7484, 2210-C-6607
	04-481032	Left	2210-W-7485, 2210-D-6608
10 1/2	04-481041	Right	2210-D-7492, 2210-P-6958
	04-481042	Left	2210-E-7493, 2210-Q-6959
10 5/8	04-481051	Right	2210-K-7499, 2210-R-6960
	04-481052	Left	2210-L-7500, 2210-S-6961
11	04-481111	Right	2210-Z-7514
	04-481112	Left	2210-A-7515
11 1/8	04-481121	Right	2210-H-7522, 2210-Z-7098
	04-481122	Left	2210-J-7524, 2210-A-7099
11 1/16	04-481151	Right	2210-V-7536, 2210-Z-6942
	04-481152	Left	2210-W-7537, 2210-A-6943
11 3/4	04-481171	Right	2210-B-7542
	04-481172	Left	2210-C-7543

\*Continued on page 278

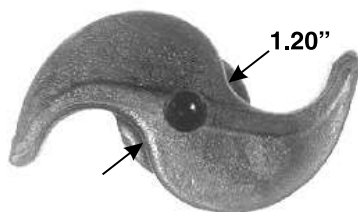


# 18" Rockwell Drive axle - P series -continued

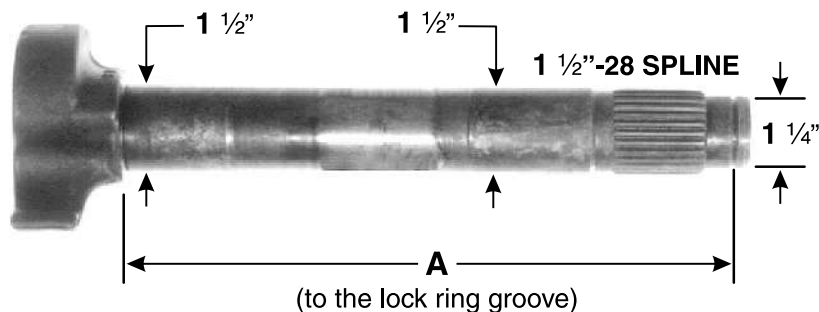
## Cams

### MASTER GROUP 48

Cams



RIGHT HAND SHOWN



**NOTE: Q-Plus** cams will work with **P, Q,** or **Q-Plus** shoes

### Cam Lengths Available Continued

Length (A)	DP Part Number	Right Hand/Left Hand Rotation	OEM Part Number
12	04-481211	Right	2210-K-7551
	04-481212	Left	2210-L-7552
12 1/2	04-481251	Right	2210-B-7568
	04-481252	Left	2210-C-7569
12 7/8	04-481301	Right	2210-P-7582
	04-481302	Left	2210-Q-7583
13	04-481311	Right	2210-T-7586
	04-481312	Left	2210-U-7587
13 1/4	04-481331	Right	2210-B-7594, 2210-Z-6994
	04-481332	Left	2210-C-7595, 2210-A-6995
13 1/2	04-481351	Right	2210-K-7837, 2210-T-6962
	04-481352	Left	2210-L-7838, 2210-U-6963
14 1/8	04-481421	Right	2210-H-7626, 2210-P-6984
	04-481422	Left	2210-J-7628, 2210-Q-6985
14 5/8	04-481461	Right	2210-Z-7644
	04-481462	Left	2210-A-7645
14 13/16	04-481471	Right	2210-H-7652, 2210-M-7189
	04-481472	Left	2210-J-7654, 2210-N-7190
15 1/4	04-481531	Right	2210-Z-7670, 2210-X-7070
	04-481532	Left	2210-A-7671, 2210-Y-7071
15 5/8	04-481561	Right	2210-M-7683
	04-481562	Left	2210-N-7684
15 3/4	04-481571	Right	2210-R-7688
	04-481572	Left	2210-S-7689
15 7/8	04-481601	Right	2210-V-7692
	04-481602	Left	2210-W-7693

**Cams**

**Notes**

**Cams**

Trailer axle - FC & FT series (08-132300 Shown)

Camshaft Kits



**03-208**  
Nylatron Bushings



**04-314**  
Locks



**02-312**  
Seals



**04-301**  
Washers



**04-302**  
Washers



**04-303**  
Washers



**02-203**  
Nylatron Bushings



**04-327**  
Washers



**01-472**  
Washers



**04-328**  
Washers



**04-310**  
Locks



**01-482**  
Locks

**MASTER GROUP 63**  
1 1/2" Spider Journal,  
1 1/2"- 10 Spline

**.68"**

1 3/4" cam head standout

**MASTER GROUP 64**  
1 1/2" Spider Journal,  
1 1/2"- 28 Spline

**.68"**

1 3/4" cam head standout

**ADDITIONAL COMPONENT OPTIONS**



**02-204**  
Sintered Metal  
Bushings

**Kit Options** \*Kits include the components shown with the following exceptions by Part Number.

**AXLE KIT**

Kit Number	Additional Components / Description
08-132300	BASE KIT
08-132310	02-204 Spider Bushing

**WHEEL KIT**

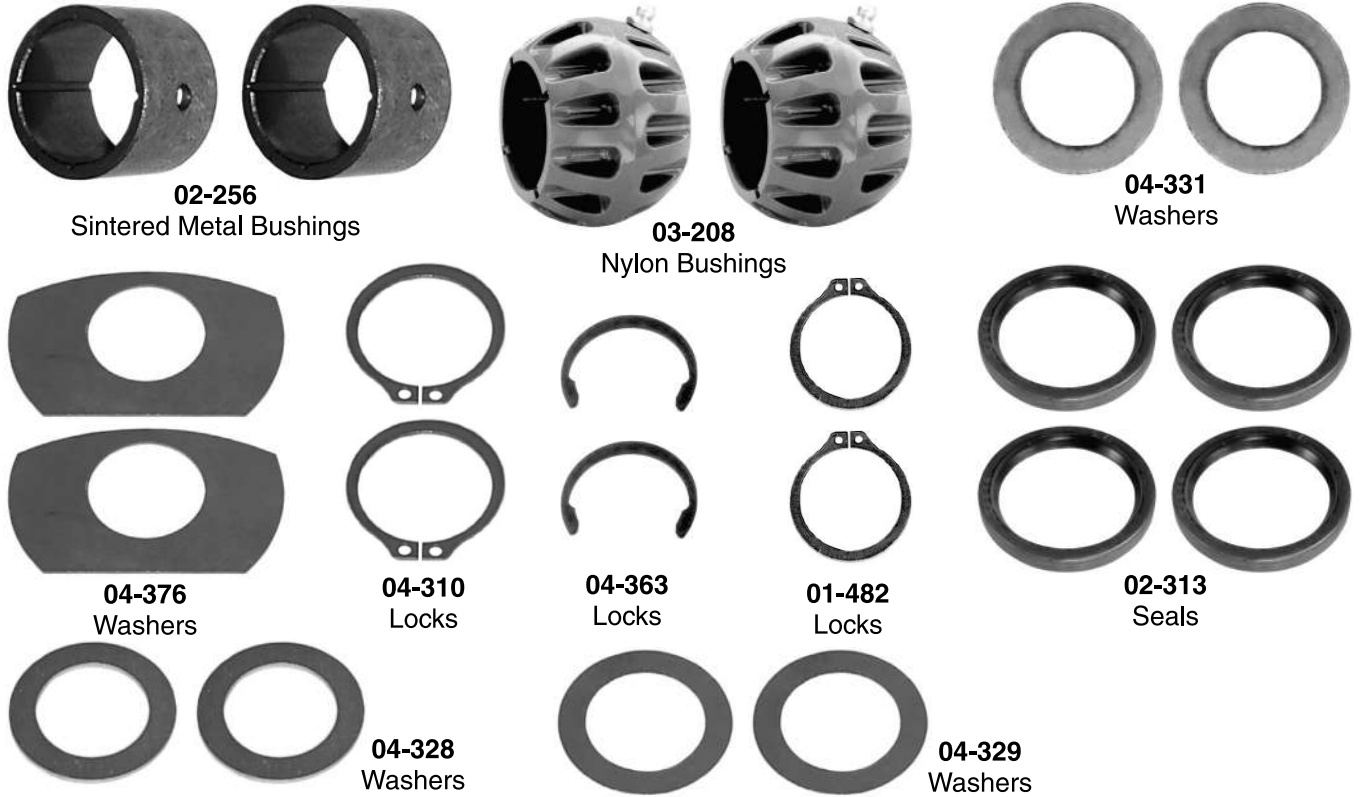
Kit Number	Additional Components / Description
08-132350	BASE KIT
08-132360	02-204 Spider Bushing

# Camshaft Kits

12 1/4" Dana

Camshaft Kits

## Trailer axle - FC-111 series (08-132900 Shown)



**MASTER GROUP 53**

1 5/8" Spider Journal,  
1 1/2"- 10 Spline

.68"

1 3/4" cam head standout

**MASTER GROUP 54**

1 5/8" Spider Journal,  
1 1/2"- 28 Spline

.68"

1 3/4" cam head standout

### ADDITIONAL COMPONENT OPTIONS



**Kit Options** \*Kits include the components shown with the following exceptions by Part Number.

#### AXLE KIT

Kit Number	Additional Components / Description
08-132900	BASE KIT
08-132903	03-2081 & 03-2082 Support Bushings; May 98 & after

#### WHEEL KIT

Kit Number	Additional Components / Description
08-132950	BASE KIT

Camshaft Kits

Trailer axle - FT series - rigid support (08-134100 Shown)



**03-201**  
Nylatron Bushings



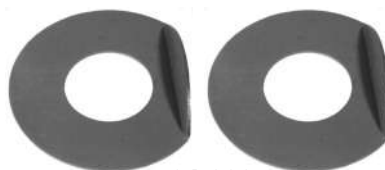
**02-312**  
Seals



**04-302**  
Washers



**04-303**  
Washers



**04-306**  
Washers



**04-310**  
Locks



**04-314**  
Locks

**MASTER GROUP 63**  
1 1/2" Spider Journal,  
1 1/2"- 10 Spline

**.68"**

**1 3/4" cam head standout**

ADDITIONAL COMPONENT OPTIONS



**02-204**  
Sintered Metal  
Bushings

**Kit Options** \*Kits include the components shown with the following exceptions by Part Number.

**AXLE KIT**

Kit Number	Additional Components / Description
08-134100	BASE KIT
08-134110	02-204 Spider Bushing

**WHEEL KIT**

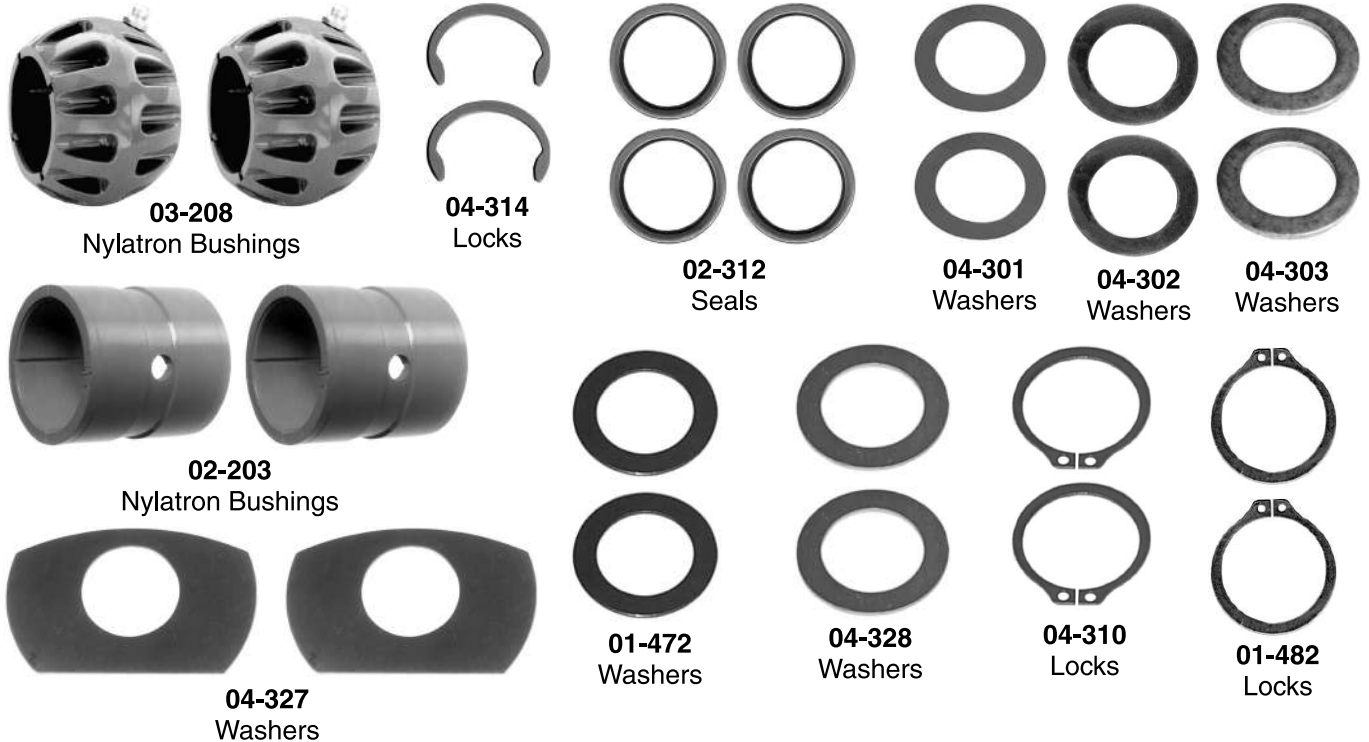
Kit Number	Additional Components / Description
08-134150	BASE KIT
08-134160	02-204 Spider Bushing

# Camshaft Kits

12 1/4" Dexter

Camshaft Kits

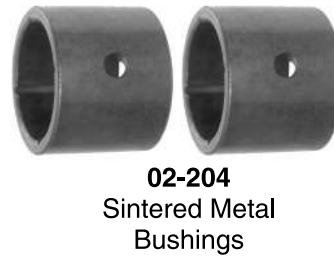
## Trailer axle - PQ & QM series (08-132300 Shown)



**MASTER GROUP 67**  
 1 1/2" Spider Journal,  
 1 1/2"- 28 Spline

.68"  
 1 3/4" cam head stand out

### ADDITIONAL COMPONENT OPTIONS



**Kit Options** \*Kits include the components shown with the following exceptions by Part Number.

**AXLE KIT**

Kit Number	Additional Components / Description
08-132300	BASE KIT
08-132310	02-204 Spider Bushing

**WHEEL KIT**

Kit Number	Additional Components / Description
08-132350	BASE KIT
08-132360	02-204 Spider Bushing

Camshaft Kits

Trailer axle - F series (08-133110 Shown)



**02-2201HD**  
Sintered Metal Bushing Kit



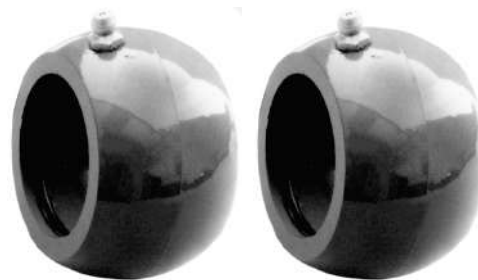
**04-310**  
Locks



**04-304**  
Washers



**04-315**  
Locks



**03-207**  
Nylon Bushings

**MASTER GROUP 83**  
1 5/8" Spider Journal,  
1 37/64" - 37 Spline

**.86"**  
1 7/8" cam head standout



**04-302**  
Washers

**Kit Options** \*Kits include the components shown with the following exceptions by Part Number.

**AXLE KIT**

Kit Number	Additional Components / Description
08-133110	BASE KIT

**WHEEL KIT**

Kit Number	Additional Components / Description
08-133160	BASE KIT



# Camshaft Kits

12 1/4" Hendrickson

Camshaft Kits

## Trailer axle - HXS series (08-130403 Shown)



**03-2151**  
Support Bushing  
Assembly



**03-2152**  
Support Bushing  
Assembly



**02-258**  
Sintered Metal  
Bushing



**02-313**  
Seals



**04-310**  
Locks



**04-363**  
Locks



**01-482**  
Locks



**04-329**  
Washers



**04-302**  
Washers



**04-331**  
Washers



**04-349**  
Washers



Bolt Assembly

### MASTER GROUP 52

1 5/8" Spider Journal,  
1 1/2"- 28 Spline



2" cam head standout

**Kit Options** \*Kits include the components shown with the following exceptions by Part Number.

#### AXLE KIT

Kit Number	Additional Components / Description
08-130403	BASE KIT

#### WHEEL KIT

Kit Number	Additional Components / Description
08-130401	03-2151 Support Bushing
08-130402	03-2152 Support Bushing



Camshaft Kits

Trailer axle - Q series (08-130600 Shown)



02-240 - Bushing Assemblies



04-359 Washers

03-212 Fiberfil Nylon Bushings



04-315 Locks

04-302 Washers

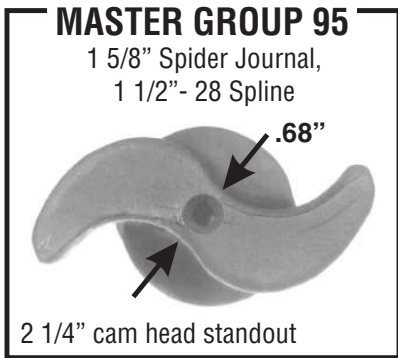
03-213 Seals



04-358 Washers

01-482 Locks

01-472 Washers



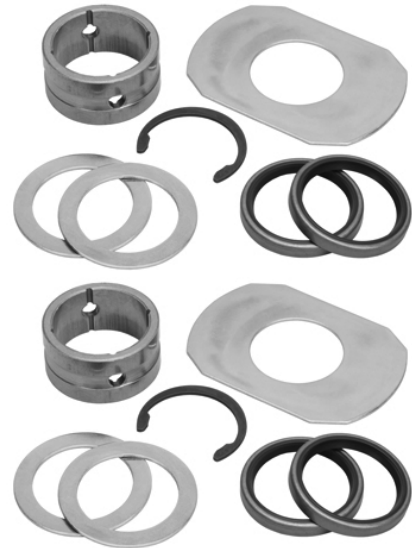
ADDITIONAL COMPONENT OPTIONS



03-209 Cam Bracket Assemblies



03-2091 Cam Bracket Assemblies



03-2461 Bushing Kit

Kit Options \*Kits include the components shown with the following exceptions by Part Number.

AXLE KIT

Kit Number	Additional Components / Description
08-130600	BASE KIT
08-130601	03-209 Support Bushing
08-130605	03-2091 Support Bushing
08-130620	02-2461 Bushing Kit
08-130621	02-2461 Bushing Kit; 03-209 Support Bushing
08-130625	02-2461 Bushing Kit; 03-2091 Support Bushing

WHEEL KIT

Kit Number	Additional Components / Description
08-130650	BASE KIT
08-130651	03-209 Support Bushing
08-130655	03-2091 Support Bushing
08-130670	02-2461 Bushing Kit
08-130671	02-2461 Bushing Kit; 03-209 Support Bushing
08-130675	02-2461 Bushing Kit; 03-2091 Support Bushing

# Camshaft Kits

325mm Watson

Camshaft Kits

Trailer axle - SL / STL series (08-136500 Shown)



**02-244**  
Nylatron Bushings



**02-318**  
Seals



**04-347**  
Washers



**04-354**  
Washers



**04-356**  
Locks

**Cams  
Special Order**

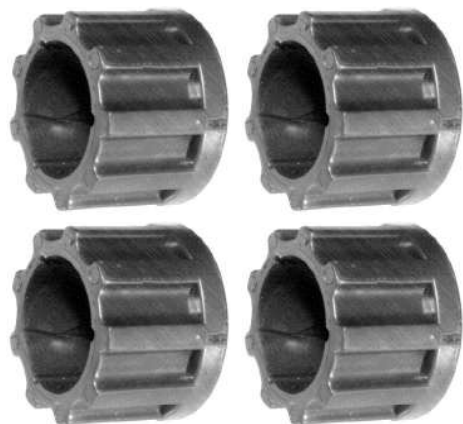
**Kit Options** \*Kits include the components shown with the following exceptions by Part Number.

**AXLE KIT**

Kit Number	Additional Components / Description
08-136500	BASE KIT

Camshaft Kits

Steer axle - HA series (08-138100 Shown)



**02-225**  
Nylatron Bushings



**02-315**  
Seals



**04-350**  
Washers



**04-307**  
Washers



**04-356**  
Locks

**Cams  
Not Available**

**Kit Options** \*Kits include the components shown with the following exceptions by Part Number.

**AXLE KIT**

Kit Number	Additional Components / Description
08-138100	BASE KIT

**WHEEL KIT**

Kit Number	Additional Components / Description
08-138150	BASE KIT

# Camshaft Kits

15" Eaton

Camshaft Kits

## Steer axle - EB & ES series (08-137500 Shown)



**02-225**  
Nylatron Bushings



**02-315**  
Seals



**04-319**  
Locks



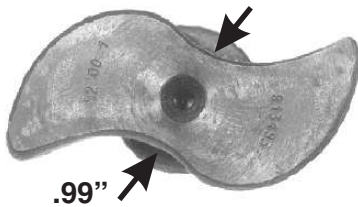
**04-351**  
Washers



**04-350**  
Washers

### MASTER GROUP 16

1 1/4" Spider Journal,  
1 1/4"- 10 Spline



### Kit Options \*Kits include the components shown with the following exceptions by Part Number.

#### AXLE KIT

Kit Number	Additional Components / Description
08-137500	BASE KIT

#### WHEEL KIT

Kit Number	Additional Components / Description
08-137550	BASE KIT

Steer & Drive axle - ES-II series - reduced envelope (08-135101 Shown)

Camshaft Kits



**02-210**  
Nylatron Bushings



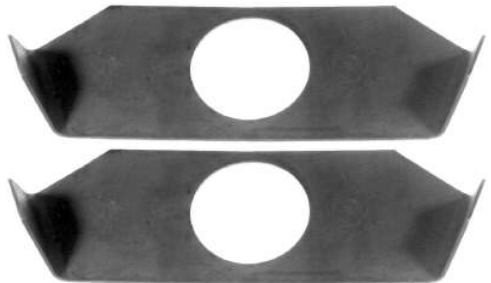
**02-304**  
Seals



**04-302**  
Washers



**04-319**  
Locks



**04-357 - Washers**



**04-307**  
Washers

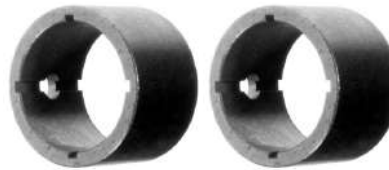


**04-308**  
Washers

**MASTER GROUP 39**  
1 1/2" Spider Journal,  
1 1/2" - 10 Spline

1.13"

ADDITIONAL COMPONENT OPTIONS



**02-211**  
Sintered Metal  
Bushings

**Kit Options** \*Kits include the components shown with the following exceptions by Part Number.

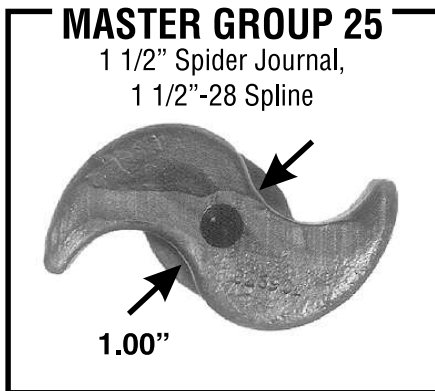
**AXLE KIT**

Kit Number	Additional Components / Description
08-135101	BASE KIT
08-135111	02-211 Spider Bushing

**WHEEL KIT**

Kit Number	Additional Components / Description
08-135151	BASE KIT
08-135161	02-211 Spider Bushing

## Trailer axle - HXS series - Intraax axle (03-1450 Shown)



Wheel Kit Only; Components Not Available Separately.

**Kit Options** \*Kits include the components shown with the following exceptions by Part Number.

**WHEEL KIT**

Kit Number	Additional Components / Description
03-1450	BASE KIT; Wheel Kit Only; Components Not Available Separately



Camshaft Kits

Trailer axle - Time series (08-132100 Shown)



**03-208**  
Nylatron Bushings



**02-312**  
Seals



**04-301**  
Washers



**04-302**  
Washers



**02-203**  
Nylatron Bushings



**01-472**  
Washers



**04-303**  
Washers



**04-310**  
Locks



**01-482**  
Locks



**04-300**  
Washers

ADDITIONAL COMPONENT OPTIONS

**MASTER GROUP 77**  
1 1/2" Spider Journal,  
1 1/2" - 28 Spline  
1.00"



**02-204**  
Sintered Metal  
Bushings

**Kit Options** \*Kits include the components shown with the following exceptions by Part Number.

**AXLE KIT**

Kit Number	Additional Components / Description
08-132100	BASE KIT
08-132110	02-204 Spider Bushing

**WHEEL KIT**

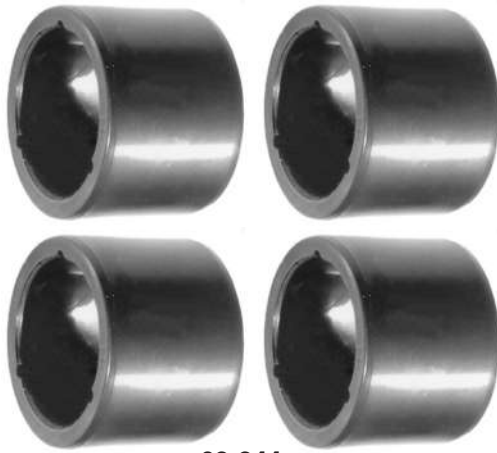
Kit Number	Additional Components / Description
08-132150	BASE KIT
08-132160	02-204 Spider Bushing

# Camshaft Kits

15" Rockwell

Camshaft Kits

## Steer axle - Q series (08-136100 Shown)



**02-244**  
Nylatron Bushings



**02-318**  
Seals



**04-347**  
Washers



**04-356**  
Locks



**04-354**  
Washers

**Cams  
Not Available**

**Kit Options** \*Kits include the components shown with the following exceptions by Part Number.

**AXLE KIT**

Kit Number	Additional Components / Description
08-136100	BASE KIT

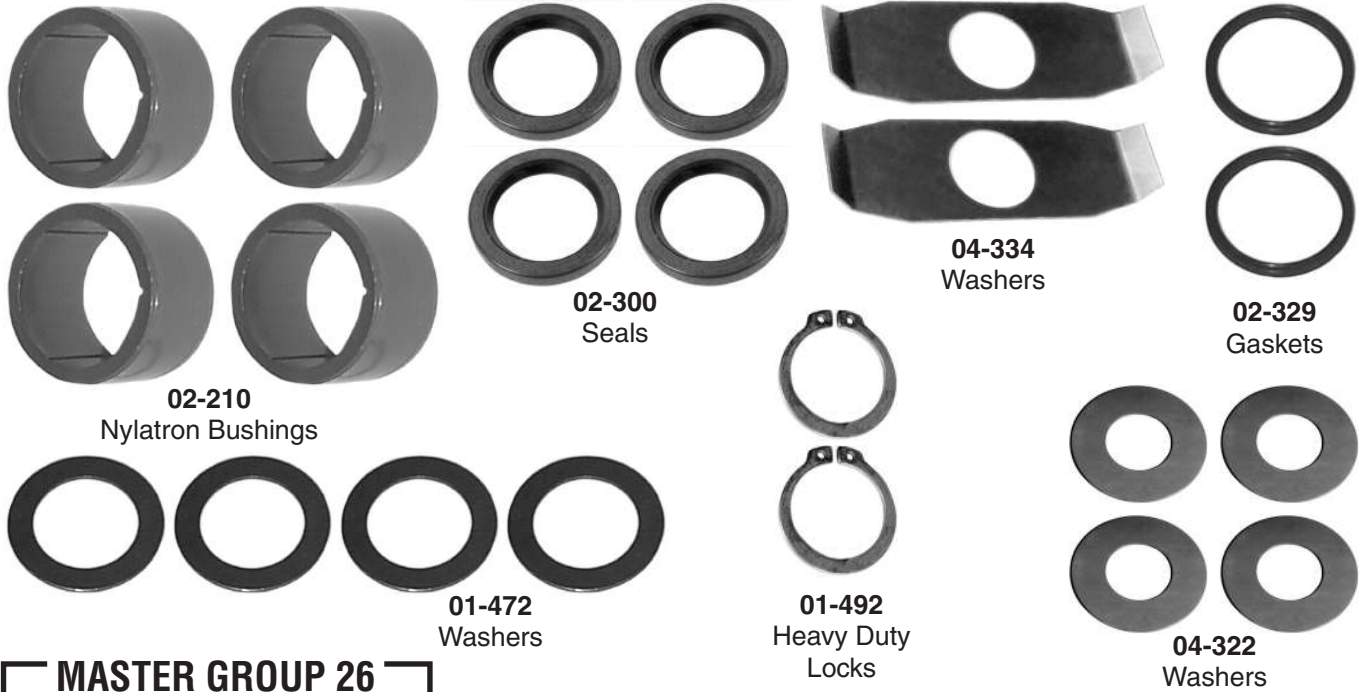
**WHEEL KIT**

Kit Number	Additional Components / Description
08-136150	BASE KIT



Steer & Drive axle - Q-Plus series (08-131800 Shown)

Camshaft Kits



**MASTER GROUP 26**  
 1 1/2" Spider Journal,  
 1 1/2" - 28 Spline

1.00"

ADDITIONAL COMPONENT OPTIONS



**Kit Options** \*Kits include the components shown with the following exceptions by Part Number.

**AXLE KIT**

Kit Number	Additional Components / Description
08-131800	BASE KIT
08-131810	02-211 Spider Bushing

**WHEEL KIT**

Kit Number	Additional Components / Description
08-131850	BASE KIT
08-131860	02-211 Spider Bushing

# Camshaft Kits

15" Rockwell

Camshaft Kits

## Trailer axle - Q-Plus series (08-130610 Shown)



**03-212**  
Fiberfil Nylon  
Bushings



**02-2481**  
Sintered Metal Boss Kit



**03-213**  
Seals



**01-482**  
Locks



**04-302**  
Washers



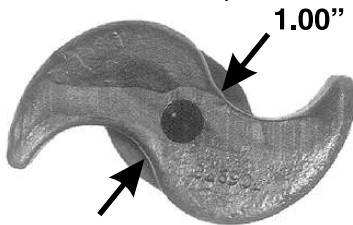
**01-472**  
Washers



**04-358**  
Washers

### MASTER GROUP 90

1 5/8" Spider Journal,  
1 1/2"- 28 Spline



### ADDITIONAL COMPONENT OPTIONS



**03-209**  
Support Bushings



**03-2091**  
Support Bushings

**Kit Options** \*Kits include the components shown with the following exceptions by Part Number.

#### AXLE KIT

Kit Number	Additional Components / Description
08-130610	BASE KIT
08-130611	03-209 Support Bushing
08-130615	03-2091 Support Bushing

#### WHEEL KIT

Kit Number	Additional Components / Description
08-130660	BASE KIT
08-130661	03-209 Support Bushing
08-130665	03-2091 Support Bushing

Camshaft Kits

Trailer axle - FC, FT, & Xtra-Life series (08-132100 Shown)



**03-208**  
Nylatron Bushings



**02-312**  
Seals



**04-301**  
Washers



**04-302**  
Washers



**02-203**  
Nylatron Bushings



**04-303**  
Washers



**01-472**  
Washers



**04-310**  
Locks



**01-482**  
Locks



**04-300**  
Washers

ADDITIONAL COMPONENT OPTIONS

**MASTER GROUP 57**  
1 1/2" Spider Journal,  
1 1/2"- 10 Spline

FT Series  
1.38"

**MASTER GROUP 58**  
1 1/2" Spider Journal,  
1 1/2"- 28 Spline

FC Series  
1.38"



**03-2081**  
Support Bushing  
Assy RH



**03-2082**  
Support Bushing  
Assy LH

**MASTER GROUP 59**  
1 1/2" Spider Journal,  
1 1/2"- 10 Spline

Xtra-Life Series  
1.10"

**MASTER GROUP 60**  
1 1/2" Spider Journal,  
1 1/2"- 28 Spline

Xtra-Life Series  
1.10"



**02-204**  
Sintered Metal  
Bushings

**Kit Options** \*Kits include the components shown with the following exceptions by Part Number.

AXLE KIT	
Kit Number	Additional Components / Description
08-132100	BASE KIT
08-132110	02-204 Spider Bushing
08-132115	02-204 Spider Bushing, 03-2081 & 03-2082

WHEEL KIT	
Kit Number	Additional Components / Description
08-132150	BASE KIT
08-132160	02-204 Spider Bushing

# Camshaft Kits

16 1/2" Dana

Camshaft Kits

## Trailer axle - Xtra-Life II series (08-132800 Shown)



**02-208**  
Nylatron Bushings



**02-313**  
Seals



**04-329**  
Washers



**04-302**  
Washers



**02-256**  
Sintered Metal Bushings



**04-331**  
Washers



**04-310**  
Locks



**04-363**  
Locks



**01-482**  
Locks

### ADDITIONAL COMPONENT OPTIONS



**03-2081**  
Support Bushing  
Assy RH



**03-2082**  
Support Bushing  
Assy LH

**Kit Options** \*Kits include the components shown with the following exceptions by Part Number.

#### AXLE KIT

Kit Number	Additional Components / Description
<b>08-132800</b>	BASE KIT; Aug 95 to May 98
<b>08-132803</b>	03-2081 & 03-2082 Support Bushings; May 98 & after

#### WHEEL KIT

Kit Number	Additional Components / Description
<b>08-132850</b>	BASE KIT; Aug 95 to May 98
<b>08-132801</b>	03-2081 Support Bushing; May 98 & after
<b>08-132802</b>	03-2082 Support Bushing; May 98 & after

**AXLE KIT** - Kit to rebush **two camshafts** (one axle)

**WHEEL KIT** - Kit to rebush **one camshaft** (one wheel)

Camshaft Kits

Steer & Drive axle - ES-II series (08-135101 Shown)



**02-210**  
Nylatron Bushings



**02-304**  
Seals



**04-302**  
Washers



**04-319**  
Locks



**04-307**  
Washers



**04-308**  
Washers

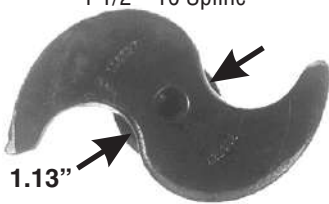


**04-357**  
Washers



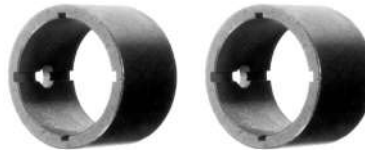
**MASTER GROUP 39**

1 1/2" Spider Journal,  
1 1/2"- 10 Spline



1.13"

**ADDITIONAL COMPONENT OPTIONS**



**02-211**  
Sintered Metal  
Bushings

**Kit Options** \*Kits include the components shown with the following exceptions by Part Number.

**AXLE KIT**

Kit Number	Additional Components / Description
08-135101	BASE KIT
08-135111	02-211 Spider Bushing

**AXLE KIT**

Kit Number	Additional Components / Description
08-135151	BASE KIT
08-135161	02-211 Spider Bushing

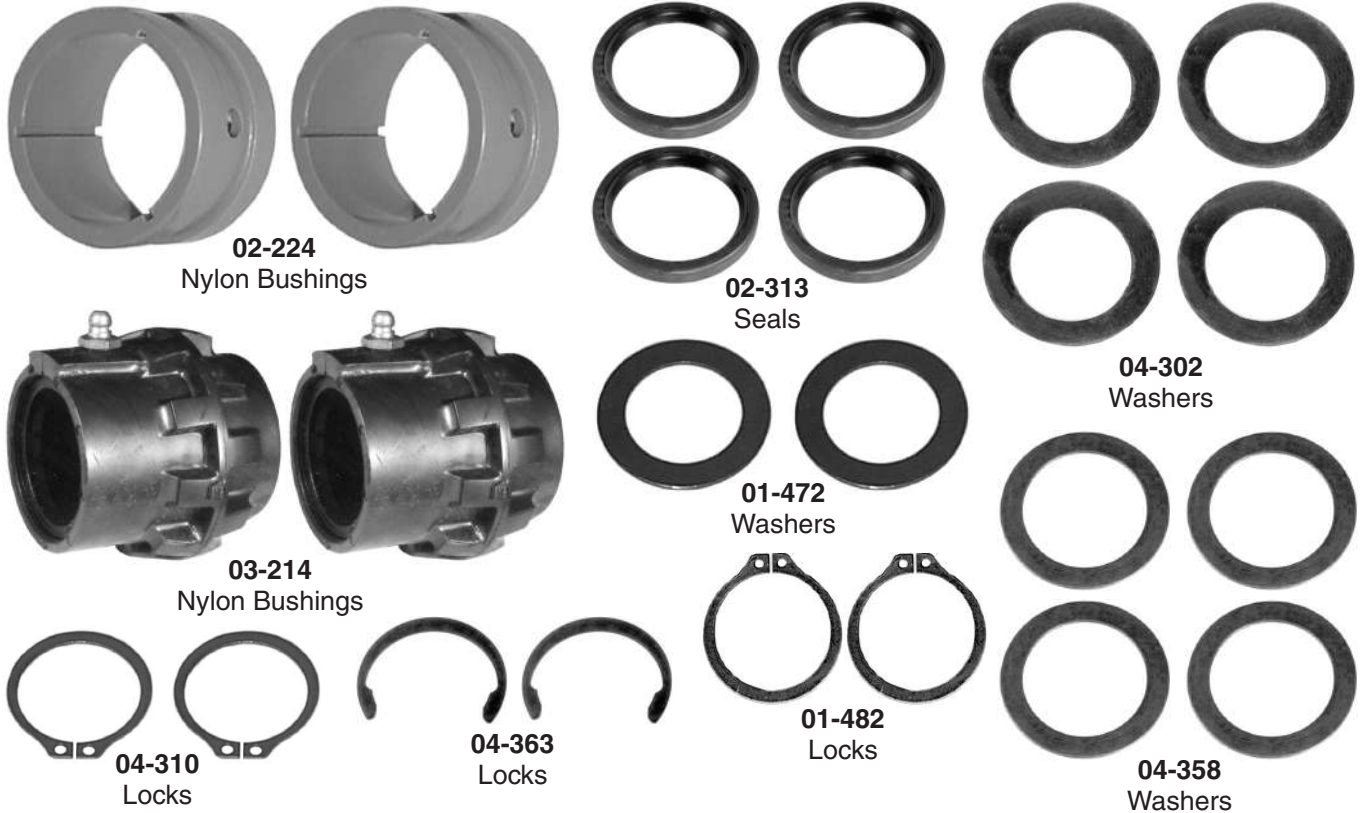


# Camshaft Kits

16 1/2" Eaton

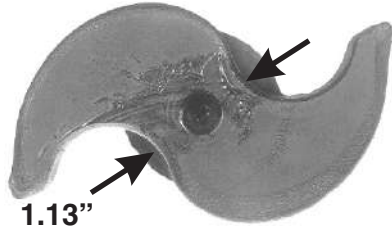
Camshaft Kits

## Trailer axle - ES series (08-136400 Shown)



### MASTER GROUP 74

1 5/8" Spider Journal,  
1 1/2" - 28 Spline



### ADDITIONAL COMPONENT OPTIONS



03-2151  
Support Bushing  
Assembly



03-2152  
Support Bushing  
Assembly

**Kit Options** \*Kits include the components shown with the following exceptions by Part Number.

#### AXLE KIT

Kit Number	Additional Components / Description
08-136400	BASE KIT
08-136403	03-2081 & 03-2082 Support Bushing

#### WHEEL KIT

Kit Number	Additional Components / Description
08-136450	BASE KIT

Trailer axle - F series - TKF axle (08-130122 Shown)

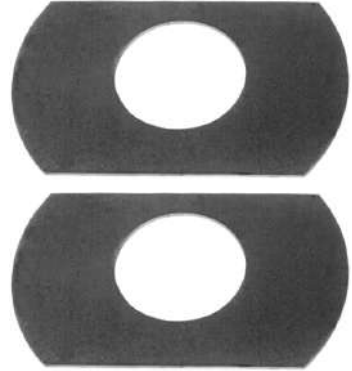
Camshaft Kits



02-200  
Nylon Bushings



04-301  
Washers



04-300  
Washers



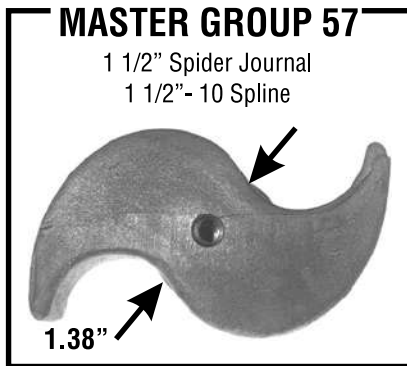
02-201  
Nylon Bushings



03-200  
Nylon Bushings



04-302  
Washers



04-310  
Locks

**Kit Options** \*Kits include the components shown with the following exceptions by Part Number.

**AXLE KIT**

Kit Number	Additional Components / Description
08-130122	BASE KIT

**WHEEL KIT**

Kit Number	Additional Components / Description
08-130172	BASE KIT

# Camshaft Kits

16 1/2" Fruehauf

Camshaft Kits

## Trailer axle - F & XEM series - Propar axle (08-133110 Shown)



02-2201HD Sintered Metal Bushing Kit



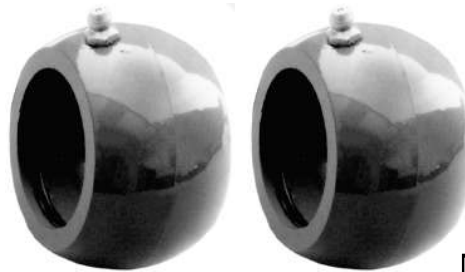
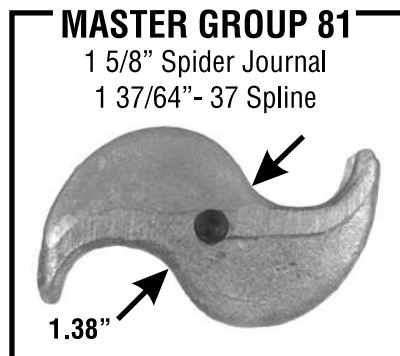
04-304 Washers



04-302 Washers

04-310 Locks

04-315 Locks



03-207 Nylon Bushings

### ADDITIONAL COMPONENT OPTIONS



03-206 Nylon Bushings

**Kit Options** \*Kits include the components shown with the following exceptions by Part Number.

**AXLE KIT**

Kit Number	Additional Components / Description
08-133110	BASE KIT
08-133111	03-206 Support Bushing

**WHEEL KIT**

Kit Number	Additional Components / Description
08-133160	BASE KIT
08-133161	03-206 Support Bushing



Trailer axle - HXS & Standard series - Intraax (08-130300 Shown)

Camshaft Kits



**02-204**  
Sintered Metal Bushings



**02-312**  
Seals



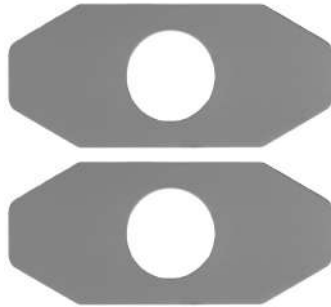
**01-482**  
Locks



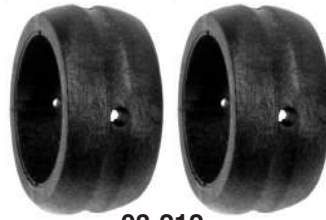
**04-310**  
Locks



**01-472**  
Washers



**04-360**  
Washers



**03-212**  
Fiberfil Nylon Bushings



**04-303**  
Washers



**03-213**  
O-Rings

**MASTER GROUP 86**  
1 1/2" Spider Journal  
1 1/2"- 28 Spline

1.38"

Standard

**MASTER GROUP 85**  
1 1/2" Spider Journal  
1 1/2"- 10 Spline

1.13"

HXS

**MASTER GROUP 87**  
1 1/2" Spider Journal  
1 1/2"- 28 Spline

1.13"

HXS

ADDITIONAL COMPONENT OPTIONS



**02-257**  
Sintered Metal Bushings



**02-317**  
Seals



**03-2091**  
Support Bushing Assemblies

**Kit Options** \*Kits include the components shown with the following exceptions by Part Number.

AXLE KIT	
Kit Number	Additional Components / Description
08-130300	BASE KIT
08-130301	03-2091 Support Bushing
08-130310	02-257 Bushing; 02-317 Seal
08-130311	02-257 Bushing; 02-317 Seal; 03-2091 Support Bushing

WHEEL KIT	
Kit Number	Additional Components / Description
08-130350	BASE KIT
08-130351	03-2091 Support Bushing
08-130360	02-257 Bushing; 02-317 Seal
08-130361	02-257 Bushing; 02-317 Seal; 03-2091 Support Bushing

# Camshaft Kits

16 1/2" Hendrickson

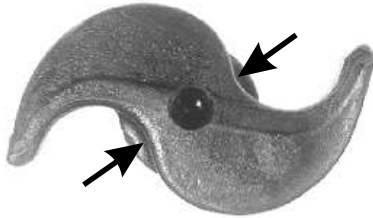
Camshaft Kits

Trailer axle - HXS series - Intraax axle - cam tube (03-1451HD Shown)



### MASTER GROUP 87

1 1/2" Spider Journal,  
1 1/2"-28 Spline



1.13"

Wheel Kit Only; Components Not Available Separately.

**Kit Options** \*Kits include the components shown with the following exceptions by Part Number.

#### WHEEL KIT

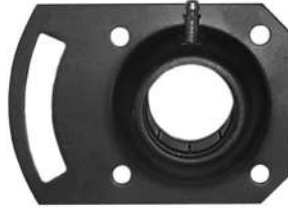
Kit Number	Additional Components / Description
03-1451HD	BASE KIT; Wheel Kit Only

Trailer axle - HXS series - TRLAXLE (08-130403 Shown)

Camshaft Kits



**03-2151**  
Support Bushing  
Assembly



**03-2152**  
Support Bushing  
Assembly



**02-258**  
Sintered Metal  
Bushing



**02-313**  
Seals



**04-310**  
Locks



**04-363**  
Locks



**01-482**  
Locks



**04-329**  
Washers



**04-302**  
Washers



**04-331**  
Washers



**04-349**  
Washers



Bolt Assembly

**MASTER GROUP 55**  
1 5/8" Spider Journal,  
1 1/2"- 10 Spline

**MASTER GROUP 56**  
1 5/8" Spider Journal,  
1 1/2"- 28 Spline

**Kit Options** \*Kits include the components shown with the following exceptions by Part Number.

**AXLE KIT**

Kit Number	Additional Components / Description
08-130403	BASE KIT

**WHEEL KIT**

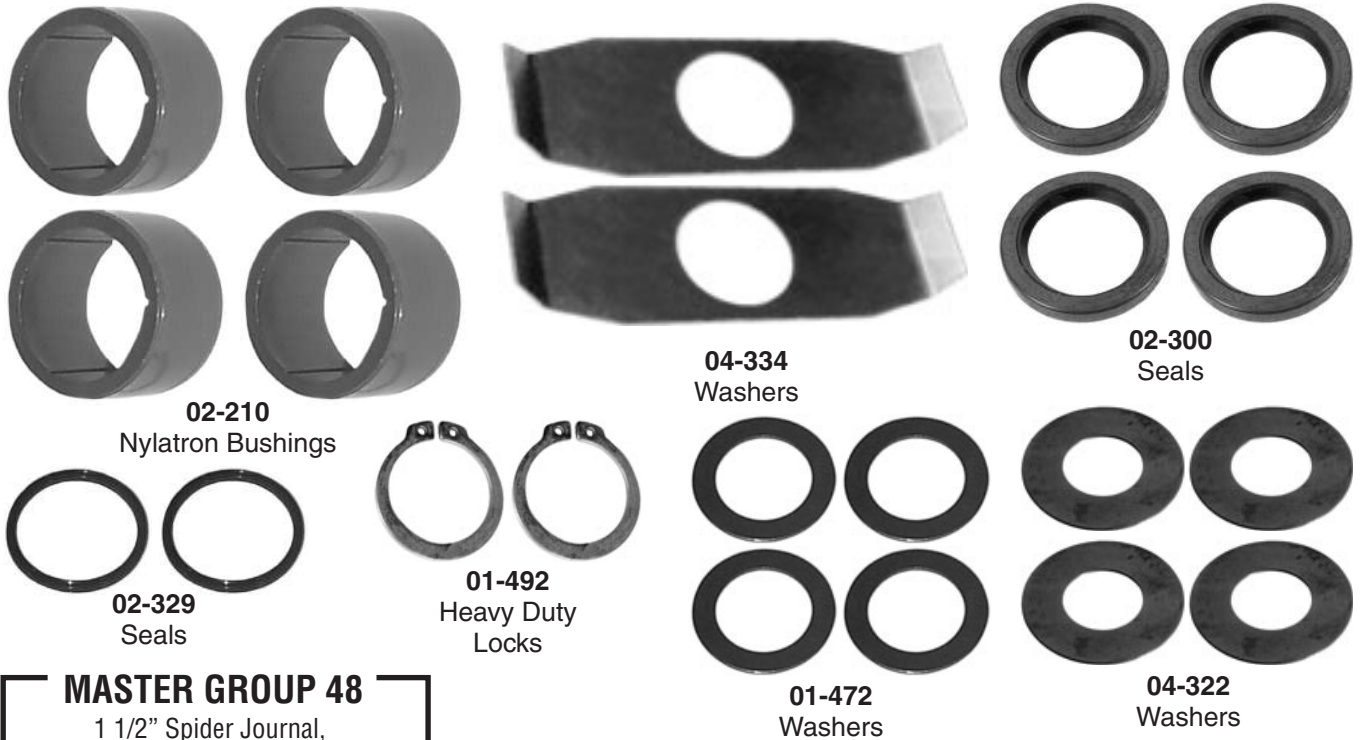
Kit Number	Additional Components / Description
08-130401	03-2151 Support Bushing
08-130402	03-2152 Support Bushing

# Camshaft Kits

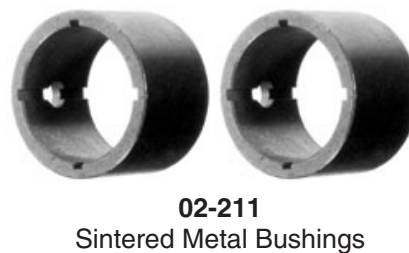
16 1/2" Rockwell

Camshaft Kits

## Steer & Drive axle - Cast-Plus & Q-Plus series (08-131800 Shown)



### ADDITIONAL COMPONENT OPTIONS



**Kit Options** \*Kits include the components shown with the following exceptions by Part Number.

**AXLE KIT**

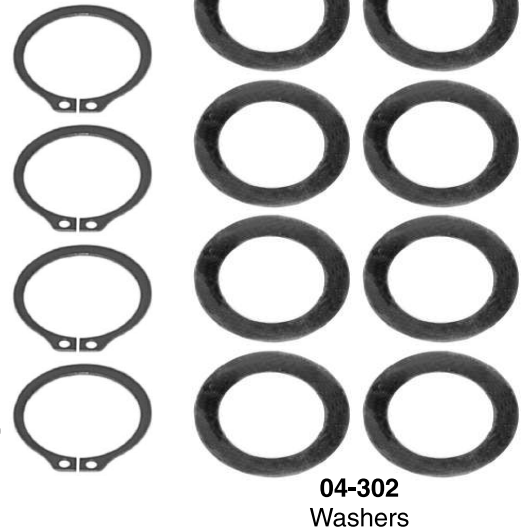
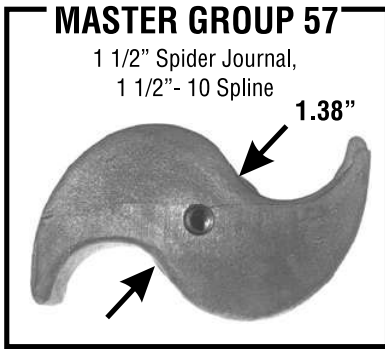
Kit Number	Additional Components / Description
08-131800	BASE KIT
08-131810	(2) 02-211 Bushing
08-131820	(4) 02-211 Bushing

**WHEEL KIT**

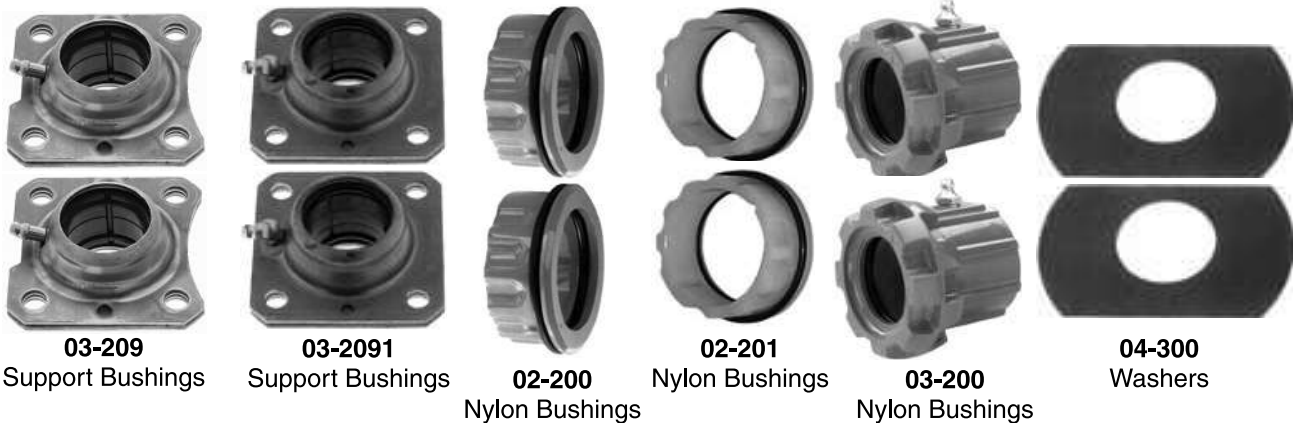
Kit Number	Additional Components / Description
08-131850	BASE KIT
08-131860	(1) 02-211 Bushing
08-131870	(2) 02-211 Bushing

Camshaft Kits

Trailer axle - P series - to 1974 (08-130100 Shown)



ADDITIONAL COMPONENT OPTIONS



**Kit Options** \*Kits include the components shown with the following exceptions by Part Number.

AXLE KIT	
Kit Number	Additional Components / Description
08-130100	BASE KIT
08-130101	03-209 Support Bushing
08-130105	03-2091 Support Bushing
08-130122	02-200 & 02-201 Bushing; 03-200 Support Bushing

WHEEL KIT	
Kit Number	Additional Components / Description
08-130150	BASE KIT
08-130151	03-209 Support Bushing
08-130155	03-2091 Support Bushing
08-130172	02-200 & 02-201 Bushing; 03-200 Support Bushing

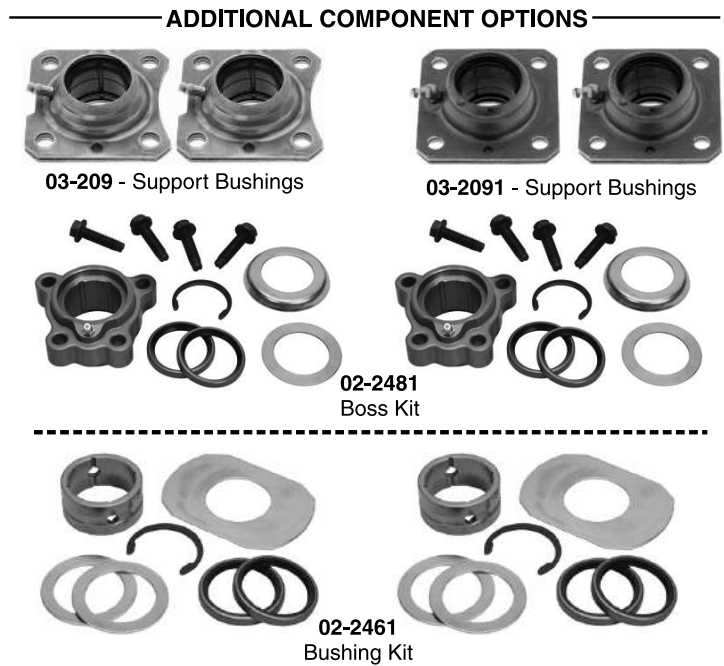
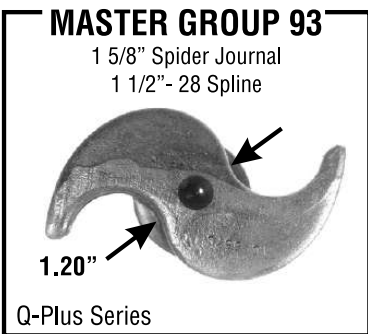
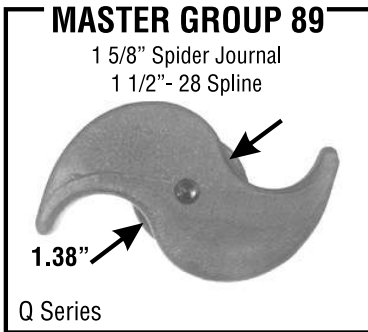
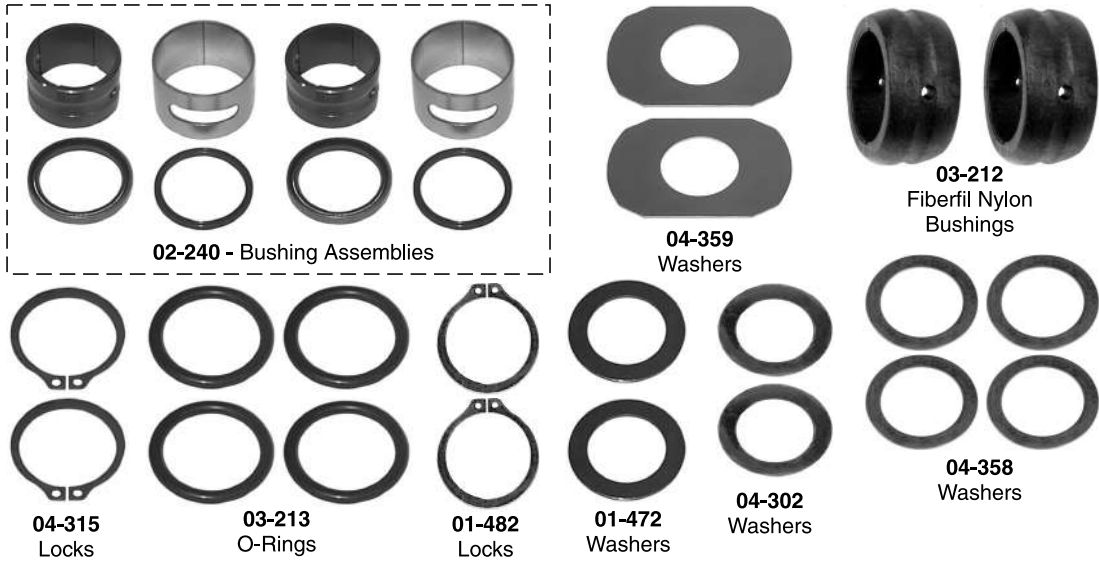


# Camshaft Kits

16 1/2" Rockwell

Camshaft Kits

## Trailer axle - P, Q, Q-Plus series - 1975 to present (08-130600 Shown)



### Kit Options \*Kits include the components shown with the following exceptions by Part Number.

#### AXLE KIT

Kit Number	Additional Components / Description
08-130600	BASE KIT
08-130601	03-209 Support Bushing
08-130605	03-2091 Support Bushing
08-130610	02-2481 Boss Kit
08-130611	02-2481 Boss Kit; 03-209 Support Bushing
08-130615	02-2481 Boss Kit; 03-2091 Support Bushing
08-130620	02-2461 Bushing Kit
08-130621	02-2461 Bushing Kit; 03-209 Support Bushing
08-130625	02-2461 Bushing Kit; 03-2091 Support Bushing

#### WHEEL KIT

Kit Number	Additional Components / Description
08-130650	BASE KIT
08-130651	03-209 Support Bushing
08-130655	03-2091 Support Bushing
08-130660	02-2481 Boss Kit;
08-130661	02-2481 Boss Kit; 03-209 Support Bushing
08-130665	02-2481 Boss Kit; 03-2091 Support Bushing
08-130670	02-2461 Bushing Kit
08-130671	02-2461 Bushing Kit; 03-209 Support Bushing
08-130675	02-2461 Bushing Kit; 03-2091 Support Bushing

AXLE KIT - Kit to rebush two camshafts (one axle)

WHEEL KIT - Kit to rebush one camshaft (one wheel)

Camshaft Kits

Trailer axle - Integra series - IMT axle (03-143 Shown)



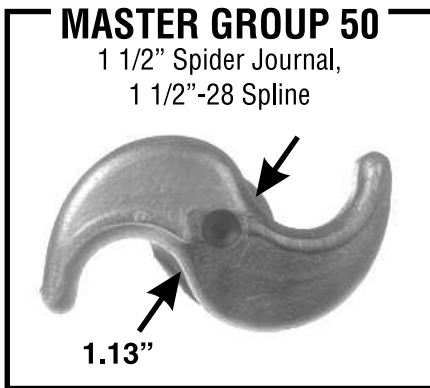
Wheel Kit Only; Components Not Available Separately.

**Kit Options** \*Kits include the components shown with the following exceptions by Part Number.

WHEEL KIT

Kit Number	Additional Components / Description
03-143	BASE KIT; Wheel Kit Only

## Trailer axle - Integra series - WC axle (03-144 Shown)



Wheel Kit Only; Components Not Available Separately.

**Kit Options** \*Kits include the components shown with the following exceptions by Part Number.

**WHEEL KIT**

Kit Number	Additional Components / Description
03-144	BASE KIT; Wheel Kit Only



Trailer axle - R9000 series (08-138000 Shown)

Camshaft Kits



**Cams  
Not Available**

**Kit Options** \*Kits include the components shown with the following exceptions by Part Number.

AXLE KIT

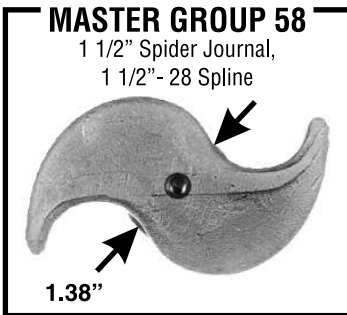
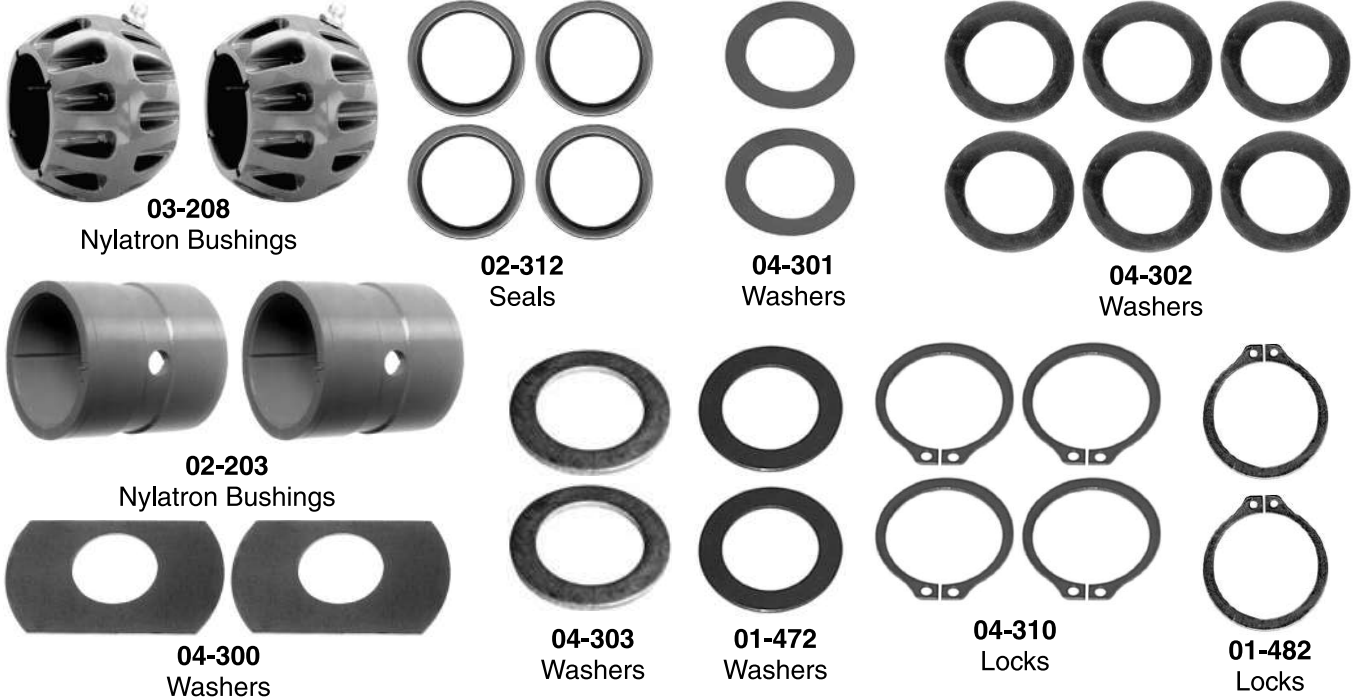
Kit Number	Additional Components / Description
08-138000	BASE KIT

# Camshaft Kits

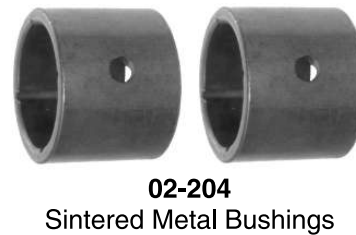
18" Dana

Camshaft Kits

## Trailer axle - FT series (08-132100 Shown)



### ADDITIONAL COMPONENT OPTIONS



**Kit Options** \*Kits include the components shown with the following exceptions by Part Number.

#### AXLE KIT

Kit Number	Additional Components / Description
08-132100	BASE KIT
08-132110	02-204 Spider Bushing

#### WHEEL KIT

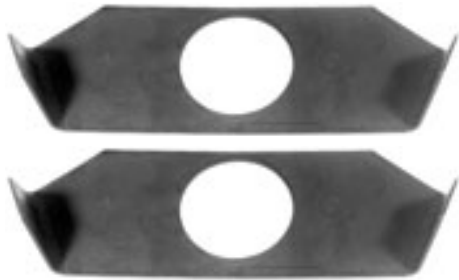
Kit Number	Additional Components / Description
08-132150	BASE KIT
08-132160	02-204 Spider Bushing

Trailer axle - EB series (08-135101 Shown)

Camshaft Kits



**02-210**  
Nylatron Bushings



**04-357**  
Washer



**02-304**  
Seals



**04-319**  
Locks



**04-307**  
Washers



**04-302**  
Washers

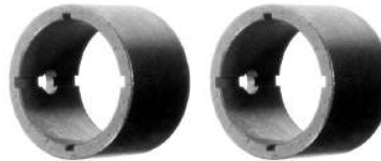


**04-308**  
Washers

**MASTER GROUP 39**  
1 1/2" Spider Journal,  
1 1/2"- 10 Spline

1.13"

ADDITIONAL COMPONENT OPTIONS



**02-211**  
Sintered Metal Bushings

**Kit Options** \*Kits include the components shown with the following exceptions by Part Number.

**AXLE KIT**

Kit Number	Additional Components / Description
08-135101	BASE KIT
08-135111	02-211 Spider Bushing

**WHEEL KIT**

Kit Number	Additional Components / Description
08-135151	BASE KIT
08-135161	02-211 Spider Bushing

# Camshaft Kits

18" Rockwell

Camshaft Kits

## Drive axle - P series (08-131800 Shown)



**02-210**  
Nylatron Bushings



**04-322**  
Washers



**02-300**  
Seals



**02-329**  
Seals



**04-334**  
Washers



**01-492**  
Heavy Duty  
Locks



**01-472**  
Washers

**MASTER GROUP 48**  
1 1/2" Spider Journal,  
1 1/2"- 28 Spline

1.20"

### ADDITIONAL COMPONENT OPTIONS



**02-211**  
Sintered Metal Bushings

**Kit Options** \*Kits include the components shown with the following exceptions by Part Number.

#### AXLE KIT

Kit Number	Additional Components / Description
08-131800	BASE KIT
08-131810	(2) 02-211 Bushing
08-131820	(4) 02-211 Bushing

#### WHEEL KIT

Kit Number	Additional Components / Description
08-131850	BASE KIT
08-131860	(1) 02-211 Bushing
08-131870	(2) 02-211 Bushing

AXLE KIT - Kit to rebush **two** camshafts (one axle)

WHEEL KIT - Kit to rebush **one** camshaft (one wheel)

Trailer axle - FT series (08-132200 Shown)

Camshaft Kits



02-236  
Bronze Bushings



04-324  
Washers



04-325  
Washers



04-326  
Locks

**Cams  
Not Available**

**Kit Options** \*Kits include the components shown with the following exceptions by Part Number.

**AXLE KIT**

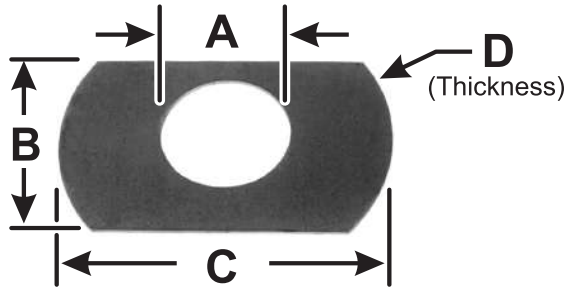
Kit Number	Additional Components / Description
08-132200	BASE KIT

**WHEEL KIT**

Kit Number	Additional Components / Description
08-132250	BASE KIT

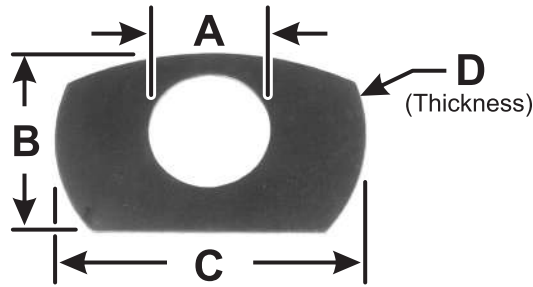


Head Washers



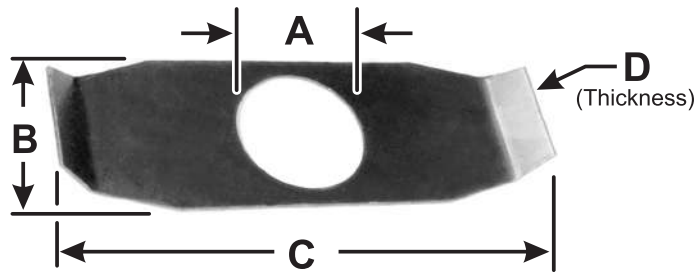
Type 1

Dim. A	Dim. B	Dim. C	Dim. D	Part No.	Finish	Application	Kit No.	Page
1.50	2.37	3.87	0.06	04-300	Zinc Clear	15 Ing Time	08-1321xx	292
						16 1/2 Dan FC, FT & XL	08-1321xx	296
						16 1/2 Fru TKF	08-1301xx	300
						16 1/2 Roc P	08-1301xx	306
						18 Dan FT	08-1321xx	311



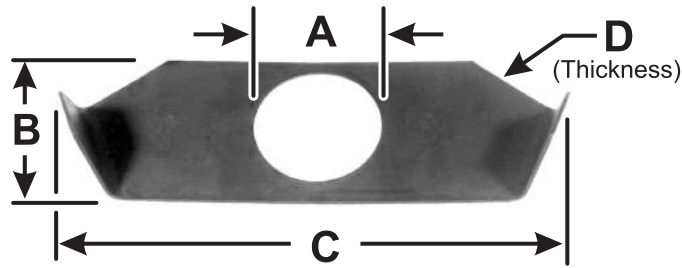
Type 2

Dim. A	Dim. B	Dim. C	Dim. D	Part No.	Finish	Application	Kit No.	Page
1.50	2.43	3.87	0.06	04-327	Zinc Clear	12 1/4 Dan FC & FT	08-1323xx	280
						12 1/4 Dex PQ & QM	08-1323xx	283
1.62	2.43	3.87	0.06	04-376	Zinc Clear	12 1/4 Dan FC-111	08-1329xx	281



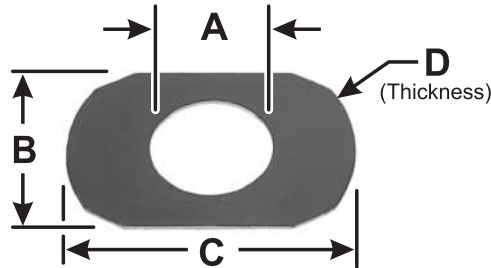
Type 3

Dim. A	Dim. B	Dim. C	Dim. D	Part No.	Finish	Application	Kit No.	Page
1.50	1.93	5.81	0.06	04-334	Zinc Clear	15 Roc Q+	08-1318xx	294
						16 1/2 Roc Cast+ & Q+	08-1318xx	305
						18 Roc P	08-1318xx	313



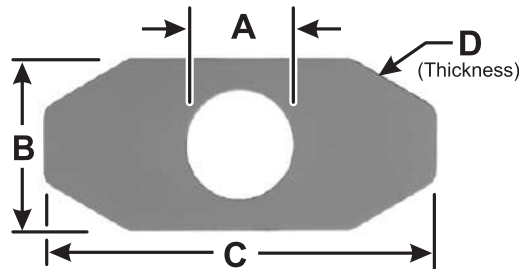
**Type 4**

Dim. A	Dim. B	Dim. C	Dim. D	Part No.	Finish	Application	Kit No.	Page
1.50	2.00	5.87	0.06	04-357	Zinc Clear	15 Eat ES-II - reduced envelope 16 ½ Eat ES-II 18 Eat EB	08-1351xx 08-1351xx 08-1351xx	290 298 312



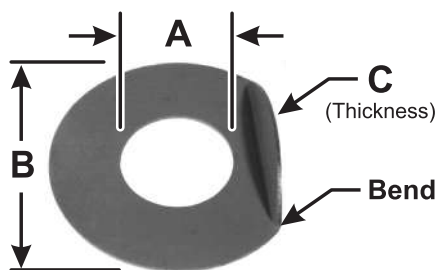
**Type 6**

Dim. A	Dim. B	Dim. C	Dim. D	Part No.	Finish	Application	Kit No.	Page
1.62	2.75	3.87	0.06	04-359	Zinc Clear	12 ¼ Roc Q 16 ½ Roc P, Q & Q+	08-1306xx 08-1306xx	286 307



**Type 7**

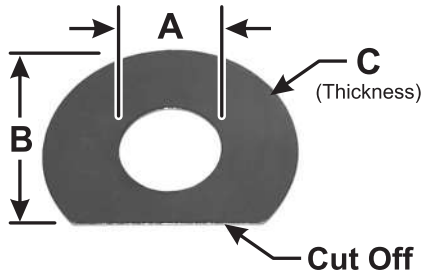
Dim. A	Dim. B	Dim. C	Dim. D	Part No.	Finish	Application	Kit No.	Page
1.50	3.50	5.75	0.06	04-360	Zinc Clear	16 ½ Hen Intraax	08-1303xx	302



**Type 8**

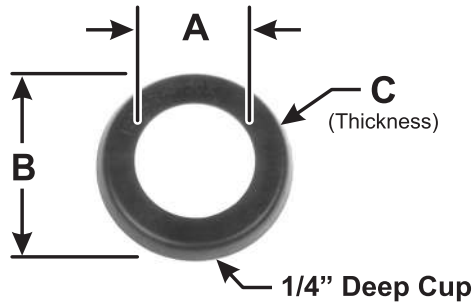
Dim. A	Dim. B	Dim. C	Dim. D	Part No.	Finish	Application	Kit No.	Page
1.50	3.50	0.06	—	04-306	Zinc Clear	12 ¼ Dan FT - Rigid Support	08-1341xx	282





Type 9

Dim. A	Dim. B	Dim. C	Dim. D	Part No.	Finish	Application	Kit No.	Page
1.75	4.25	0.06	—	04-324	Zinc Clear	20 Dan FT	08-1322xx	314



Type 10

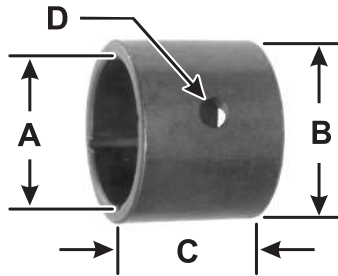
Dim. A	Dim. B	Dim. C	Dim. D	Part No.	Finish	Application	Kit No.	Page
1.62	2.75	0.06	—	04-321	Zinc Clear	Spider Bushing Kit 16 1/2 Roc P, Q & Q+	02-2481 08-1306xx	— 307

## Spider Bushings



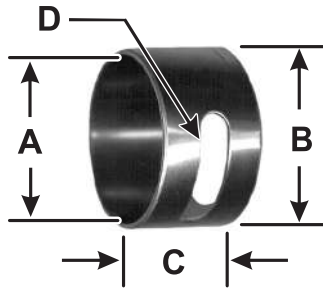
### Type 1

Dim. A	Dim. B	Dim. C	Dim. D	Part No.	Finish	Application	Kit No.	Page
1.25	1.62	1.18	—	02-244	Nylatron	325 Wat SL	08-1365xx	287
						15 Roc Q	08-1361xx	293
1.50	1.87	1.18	—	02-210	Nylatron	Spider Bushing Kit	02-2101	—
						15 Eat ES-II - reduced envelope	08-1351xx	290
						15 Roc Q+	08-1318xx	294
						16 ½ Eat ES-II	08-1351xx	298
						16 ½ Roc Cast+ & Q+	08-1318xx	305
						18 Eat EB	08-1351xx	312
18 Roc P	08-1318xx	313						
1.50	1.87	1.25	—	02-206	Bronze	Bronze version of 02-210		—



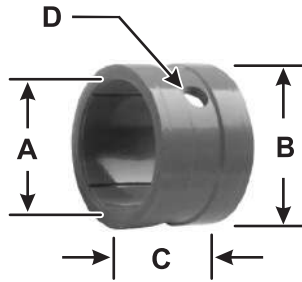
### Type 2

Dim. A	Dim. B	Dim. C	Dim. D	Part No.	Finish	Application	Kit No.	Page
1.50	1.87	1.18	—	02-211	Sintered Metal	15 Eat ES-II - reduced envelope	08-1351xx	290
						15 Roc Q+	08-1318xx	294
						16 ½ Eat ES-II	08-1351xx	298
						16 ½ Roc Cast+ & Q+	08-1318xx	305
						18 Eat EB	08-1351xx	312
						18 Roc P	08-1318xx	313
1.50	1.87	1.5	0.31	02-204	Sintered Metal	12 ¼ Dan FC & FT	08-1323xx	280
						12 ¼ Dan FT - Rigid Support	08-1341xx	282
						12 ¼ Dex PQ & QM	08-1323xx	283
						15 Ing Time	08-1321xx	292
						16 ½ Dan FC, FT & XL	08-1321xx	296
						16 ½ Hen Intraax	08-1303xx	302
18 Dan FT	08-1321xx	311						
1.50	2.00	1.5	0.31	02-257	Sintered Metal	16 ½ Hen Intraax	08-1303xx	302
1.62	2.00	1.31	.38	02-220HD	Sintered Metal	Spider Bushing Kit	02-2201HD	—
						12 ¼ Fru F	08-1331xx	284
						16 ½ Fru F & XEM	08-1331xx	301
1.62	2.00	1.5	0.31	02-256	Sintered Metal	12 ¼ Dan FC-111	08-1329xx	281
						16 ½ Dan XL-II	08-1328xx	297
1.75	2.12	2.00	0.31	02-236	Sintered Metal	20 Dan FT	08-1322xx	314



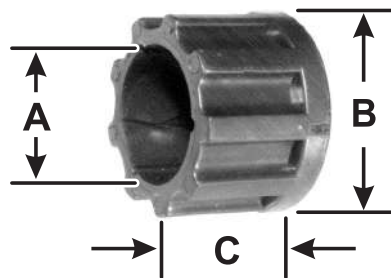
**Type 3**

Dim. A	Dim. B	Dim. C	Dim. D	Part No.	Finish	Application	Kit No.	Page
1.75	1.87	1.31	0.37	<b>02-230</b>	Stainless	Spider Bushing Kit 16 ½ Roc P	02-218 08-1301xx	— 306
1.87	2.00	1.31	0.37	<b>02-241</b>	Stainless	Spider Bushing Kit 12 ¼ Roc Q 16 ½ Roc P, Q & Q+	02-240 08-1306xx 08-1306xx	— 286 307



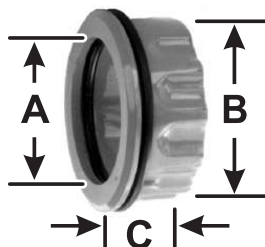
**Type 4**

Dim. A	Dim. B	Dim. C	Dim. D	Part No.	Finish	Application	Kit No.	Page
1.50	1.75	1.12	0.25	<b>02-231</b>	Fiberfil	Spider Bushing Kit 16 ½ Roc P	02-218 08-1301xx	— 306
1.50	1.87	1.50	0.19	<b>02-203</b>	Nylatron	12 ¼ Dan FC & FT 12 ¼ Dex PQ & QM 15 Ing Time 16 ½ Dan FC, FT & XL 18 Dan FT	08-1323xx 08-1323xx 08-1321xx 08-1321xx 08-1321xx	280 283 292 296 311
1.62	1.87	1.12	0.25	<b>02-242</b>	Fiberfil	Spider Bushing Kit 12 ¼ Roc Q 16 ½ Roc P, Q & Q+	02-240 08-1306xx 08-1306xx	— 286 307
1.62	2.00	1.00	0.31	<b>02-246</b>	Sintered Metal	Spider Bushing Kit 12 ¼ Roc Q 16 ½ Roc P, Q & Q+	02-2461 08-1306xx 08-1306xx	— 286 307
1.62	2.00	1.50	0.31	<b>02-258</b>	Sintered Metal	12 ¼ Hen HXS 16 ½ Hen HXS	08-1304xx 08-1304xx	285 304
1.62	2.03	1.18	0.25	<b>02-224</b>	Nylatron	16 ½ Eat ES Trlr	08-1364xx	299



**Type 5**

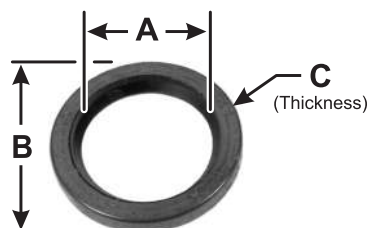
Dim. A	Dim. B	Dim. C	Dim. D	Part No.	Finish	Application	Kit No.	Page
1.25	1.87	1.31	—	<b>02-225</b>	Nylatron	15 Dan HA 15 Eat EB & ES	08-1381xx 08-1375xx	288 289



### Type 6

Dim. A	Dim. B	Dim. C	Dim. D	Part No.	Finish	Application	Kit No.	Page
1.50	1.87	0.87	—	02-200	Nylon - Yellow	Spider Bushing Kit	02-2011	—
						16 ½ Fru TKF - Vented	08-1301xx	300
						16 ½ Roc P - Vented	08-1301xx	306
1.50	1.87	0.87	—	02-201	Nylon - White	Spider Bushing Kit	02-2011	—
						16 ½ Fru TKF - Non-vented	08-1301xx	300
						16 ½ Roc P - Non-vented	08-1301xx	306

### Spider Seals



### Type 1

Dim. A	Dim. B	Dim. C	Dim. D	Part No.	Finish	Application	Kit No.	Page
1.25	1.75	0.25	—	02-318	Neoprene	325mm Wat SL	08-1365xx	287
						15 Roc Q	08-1361xx	293
1.25	1.87	0.25	—	02-315	Neoprene	15 Dan HA	08-1381xx	288
						15 Eat EB & ES	08-1375xx	289
1.50	1.87	0.18	—	02-312	Neoprene	Spider Bushing Kit	02-218	—
						12 ¼ Dan FT - Rigid Support	08-1341xx	282
						12 ¼ Dan FC & FT	08-1323xx	280
						12 ¼ Dex PQ & QM	08-1323xx	283
						15 Ing Time	08-1321xx	292
						16 ½ Dan FC, FT & XL	08-1321xx	296
						16 ½ Hen Intraax	08-1303xx	302
						16 ½ Roc P	08-1301xx	306
						18 Dan FT	08-1321xx	311
						15 Eat ES-II - reduced envelope	08-1351xx	290
1.50	1.87	0.25	—	02-304	Neoprene	16 ½ Eat ES-II	08-1351xx	298
						18 Eat EB	08-1351xx	312
1.50	2.00	0.25	—	02-317	Neoprene	16 ½ Hen Intraax	08-1303xx	302
1.50	2.06	0.25	—	02-300	Neoprene	Spider Bushing Kit	02-2101	—
						15 Roc Q+	08-1318xx	294
						16 ½ Roc Cast+ & Q+	08-1318xx	305
						18 Roc P	08-1318xx	313
1.62	2.00	0.25	—	02-313	Neoprene	Spider Bushing Kit	02-240	—
						Spider Bushing Kit	02-2461	—
						Spider Bushing Kit	02-2481	—
						12 ¼ Dan FC-111	08-1329xx	281
						12 ¼ Roc Q	08-1306xx	286
						16 ½ Dan XL-II	08-1328xx	297
						16 ½ Eat ES Trlr	08-1364xx	299
						16 ½ Hen HXS	08-1304xx	304
						16 ½ Roc P, Q & Q+	08-1306xx	307
						Spider Bushing Kit	02-2201HD	—
1.62	2.21	0.31	—	02-320	Neoprene	12 ¼ Fru F	08-1331xx	284
						16 ½ Fru F & XEM	08-1331xx	301

# Spider Bushing Kits

# Camshaft Components

Camshaft Components

## Spider Bushing Kits



### Type 1

Dim. A	Dim. B	Dim. C	Dim. D	Part No.	Finish	Application	Kit No.	Page
1.50	1.87	0.87	—	02-2011	Nylon	16 ½ Fru TKF 16 ½ Roc P	08-1301xx 08-1301xx	300 306



### Type 2

Dim. A	Dim. B	Dim. C	Dim. D	Part No.	Finish	Application	Kit No.	Page
1.62	2.00	1.31	—	02-2201HD	Sintered Metal	12 ¼ Fru F 16 ½ Fru F, XEM & FQ	08-1331xx 08-1331xx	284 301



### Type 3

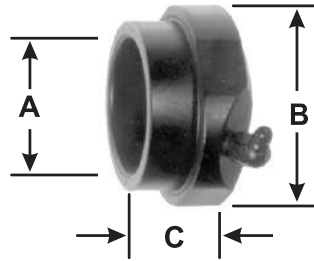
Dim. A	Dim. B	Dim. C	Dim. D	Part No.	Finish	Application	Kit No.	Page
1.50	1.87	1.31	0.25	02-218	Fiberfil	16 ½ Roc P	08-1301xx	306
1.62	2.00	1.31	0.25	02-240	Fiberfil	12 ¼ Roc Q 16 ½ Roc P & Q	08-1306xx 08-1306xx	286 307



### Type 4

Dim. A	Dim. B	Dim. C	Dim. D	Part No.	Finish	Application	Kit No.	Page
1.62	2.00	1.00	—	02-2461	Sintered Metal	12 ¼ Roc Q 16 ½ Roc P, Q & Q+	08-1306xx 08-1306xx	286 307

## Spider Boss - Weld-in



### Type 1

Dim. A	Dim. B	Dim. C	Dim. D	Part No.	Finish	Application	Kit No.	Page
2.00	2.37	1.56	—	02-247	Steel	16 ½ Roc Q		—

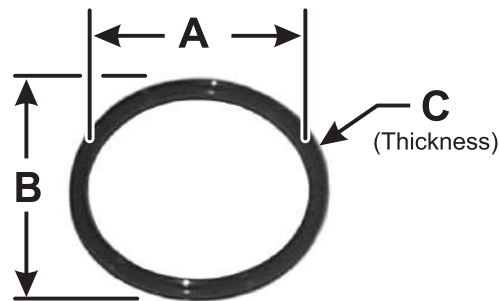
## Spider Boss Kit



### Type 1

Dim. A	Dim. B	Dim. C	Dim. D	Part No.	Finish	Application	Kit No.	Page
1.62	2.37	1.81	—	02-2481	Sintered Metal	15 Roc Q+ Trlr 16 ½ Roc P, Q & Q+	08-1306xx	295
							08-1306xx	307

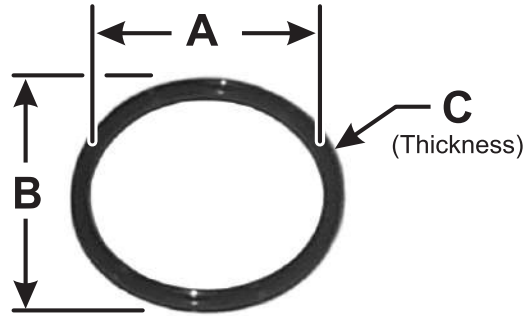
## Quad Rings



### Type 1

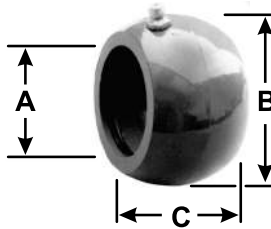
Dim. A	Dim. B	Dim. C	Dim. D	Part No.	Finish	Application	Kit No.	Page
1.50	1.75	0.12	—	02-306	Neoprene	Spider Bushing Kit 16 ½ Roc P	02-218 08-1301xx	— 306
1.62	1.87	0.12	—	02-309	Neoprene	Spider Bushing Kit 12 ¼ Roc Q 16 ½ Roc P, Q & Q+	02-240 08-1306xx 08-1306xx	— 286 307

## O-Rings



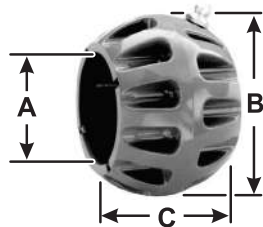
Dim. A	Dim. B	Dim. C	Dim. D	Part No.	Finish	Application	Kit No.	Page
1.87	2.06	0.1	—	02-329	Neoprene	15 Roc Q+ 16 ½ Roc Cast+ & Q+ 18 Roc P	08-1318xx 08-1318xx 08-1318xx	294 305 313

## Support Bushings



### Type 1

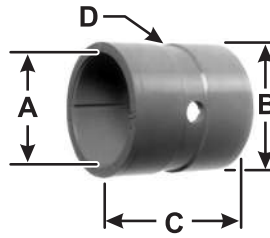
Dim. A	Dim. B	Dim. C	Dim. D	Part No.	Finish	Application	Kit No.	Page
1.62	2.50	1.50	—	03-207	Nylon	12 ¼ Fru F 16 ½ Fru F & XEM	08-1331xx 08-1331xx	284 301



### Type 2

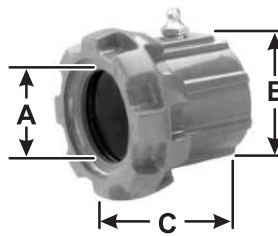
Dim. A	Dim. B	Dim. C	Dim. D	Part No.	Finish	Application	Kit No.	Page
1.50	2.50	1.75	—	03-208	Nylatron	12 ¼ Dan FC & FT 12 ¼ Dan FC-111 12 ¼ Dex PQ & QM 15 Ing Time 16 ½ Dan FC, FT & XL 16 ½ Dan XL-II 18 Dan FT	08-1323xx 08-1329xx 08-1323xx 08-1321xx 08-1321xx 08-1328xx 08-1321xx	280 281 283 292 296 297 311

## Support Bushings - continued



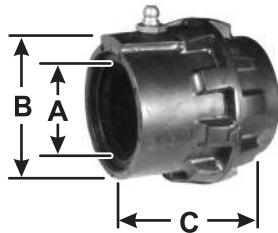
### Type 3

Dim. A	Dim. B	Dim. C	Dim. D	Part No.	Finish	Application	Kit No.	Page
1.50	1.87	2.00	0.25	03-201	Nylatron	12 ¼ Dan FT - Rigid Support	08-1341xx	282



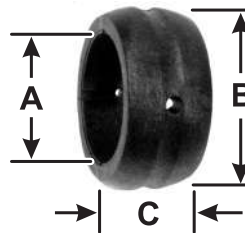
### Type 4

Dim. A	Dim. B	Dim. C	Dim. D	Part No.	Finish	Application	Kit No.	Page
1.50	2.75	2.50	—	03-200	Nylon	16 ½ Fru TKF 16 ½ Roc P	08-1301xx 08-1301xx	300 306
1.62	2.87	2.50	—	03-206	Nylon	16 ½ Fru F & XEM	08-1331xx	301



### Type 5

Dim. A	Dim. B	Dim. C	Dim. D	Part No.	Finish	Application	Kit No.	Page
1.50	2.75	2.50	—	03-214	Nylon	16 ½ Eat ES Trlr	08-1364xx	299

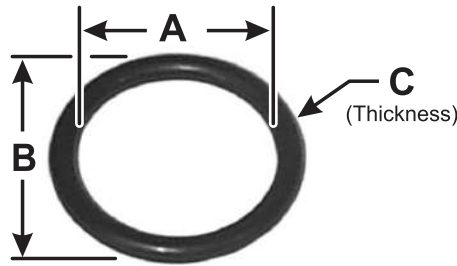


### Type 6

Dim. A	Dim. B	Dim. C	Dim. D	Part No.	Finish	Application	Kit No.	Page
1.50	2.15	1.00	—	03-212	Fiberfil	12 ¼ Roc Q 15 Roc Q+ Trlr 16 ½ Hen Intraax 16 ½ Roc P 16 ½ Roc P, Q & Q+	08-1306xx 08-1306xx 08-1303xx 08-1301xx 08-1306xx	286 295 302 306 307



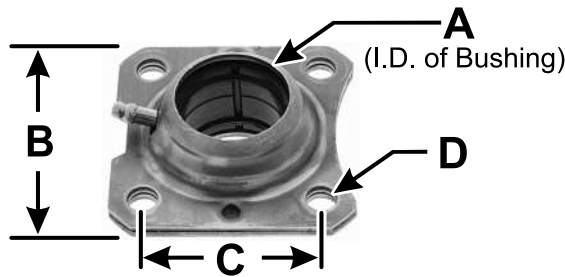
## Support O-Rings



### Type 1

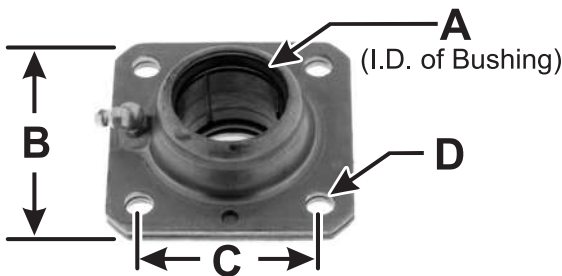
Dim. A	Dim. B	Dim. C	Dim. D	Part No.	Finish	Application	Kit No.	Page
1.50	1.93	.21	—	03-213	Neoprene	12 ¼ Roc Q 15 Roc Q+ Trlr 16 ½ Hen Intraax 16 ½ Roc P 16 ½ Roc P, Q & Q+	08-1306xx 08-1306xx 08-1303xx 08-1301xx 08-1306xx	286 295 302 306 307

## Support Bushing Assembly



### Type 1

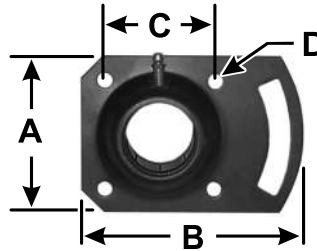
Dim. A	Dim. B	Dim. C	Dim. D	Part No.	Finish	Application	Kit No.	Page
1.50	3.50	2.50	0.37	03-209	Fiberfil	12 ¼ Roc Q 15 Roc Q+ Trlr 16 ½ Roc P 16 ½ Roc P, Q & Q+	08-1306xx 08-1306xx 08-1301xx 08-1306xx	286 295 306 307



### Type 2

Dim. A	Dim. B	Dim. C	Dim. D	Part No.	Finish	Application	Kit No.	Page
1.50	3.50	2.50	0.37	03-2091	Fiberfil	12 ¼ Roc Q 15 Roc Q+ Trlr 16 ½ Hen Intraax 16 ½ Roc P 16 ½ Roc P, Q & Q+	08-1306xx 08-1306xx 08-1303xx 08-1301xx 08-1306xx	286 295 302 306 307

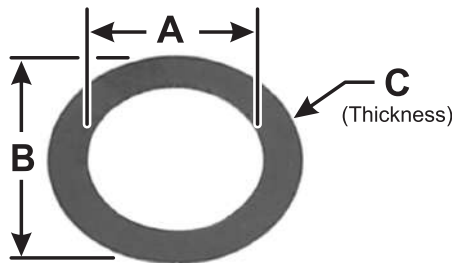
## Support Bushing Assembly - continued



### Type 3

Dim. A	Dim. B	Dim. C	Dim. D	Part No.	Finish	Application	Kit No.	Page
1.50	2.50	5.00	0.33	03-2081	Nylatron	12 ¼ Dan FC-111 (RH)	08-1329xx	281
						16 ½ Eat ES Trlr (RH)	08-1364xx	299
						16 ½ Dan XL-II (RH)	08-1328xx	297
1.50	2.50	5.00	0.33	03-2151	Fiberfil	16 ½ HXS (RH)	08-1304xx	304
				03-2082	Nylatron	12 ¼ Dan FC-111 (LH)	08-1329xx	281
						16 ½ Eat ES Trlr (LH)	08-1364xx	299
						16 ½ Dan XL-II (LH)	08-1328xx	297
03-2152	Fiberfil	16 ½ HXS (LH)	08-1304xx	304				

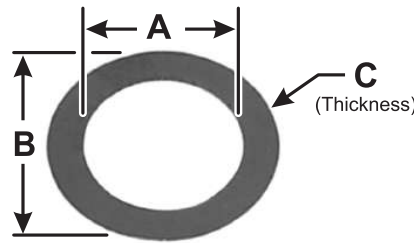
## Washers



### Type 1

Dim. A	Dim. B	Dim. C	Dim. D	Part No.	Finish	Application	Kit No.	Page
1.06	1.87	0.03	—	04-354	Zinc Clear	15 Roc Q	08-1361xx	293
1.12	2.00	0.03	—	04-308	Zinc Clear	15 Eat ES-II - reduced envelope	08-1351xx	290
						16 ½ Eat ES-II	08-1351xx	298
						18 Eat EB	08-1351xx	312
1.12	2.00	0.03	—	04-307	Zinc Clear	15 Dan HA	08-1381xx	288
						15 Eat ES-II - reduced envelope	08-1351xx	290
						16 ½ Eat ES-II	08-1351xx	298
						18 Eat EB	08-1351xx	312
1.25	1.87	0.06	—	01-472	Zinc Clear	12 ¼ Dan FC & FT	08-1323xx	280
						12 ¼ Dex PQ & QM	08-1323xx	283
						12 ¼ Roc Q	08-1306xx	286
						15 Ing Time	08-1321xx	292
						15 Roc Q+	08-1318xx	294
						15 Roc Q+ Trlr	08-1306xx	295
						16 ½ Dan FC, FT & XL	08-1321xx	296
						16 ½ Eat ES Trlr	08-1364xx	299
						16 ½ Hen Intraax	08-1303xx	302
						16 ½ Roc Cast+ & Q+	08-1318xx	305
						16 ½ Roc P, Q & Q+	08-1306xx	307
						18 Dan FT	08-1321xx	311
						18 Roc P	08-1318xx	313
						15 Eat EB & ES	08-1375xx	289
1.25	2.25	0.03	—	04-351	Zinc Clear	15 Eat EB & ES	08-1375xx	289
1.25	2.25	0.06	—	04-350	Zinc Clear	15 Dan HA	08-1381xx	288
						15 Eat EB & ES	08-1375xx	289
1.25	2.25	0.09	—	04-331	Zinc Clear	12 ¼ Dan FC-111	08-1329xx	281
						16 ½ Dan XL-II	08-1328xx	297
						16 ½ Hen HXS	08-1304xx	304

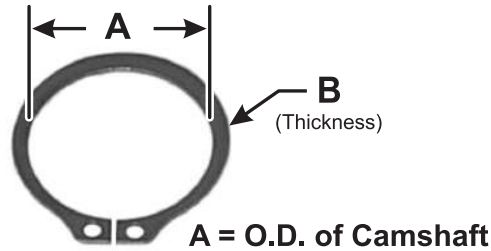
## Washers - continued



### Type 1

Dim. A	Dim. B	Dim. C	Dim. D	Part No.	Finish	Application	Kit No.	Page
1.25	2.37	0.12	—	<b>04-347</b>	Zinc Clear	325mm Wat SL 15 Roc Q	08-1365xx 08-1361xx	287 293
1.50	2.25	0.03	—	<b>04-301</b>	Zinc Clear	12 ¼ Dan FC & FT 12 ¼ Dex PQ & QM 15 Ing Time 16 ½ Dan FC, FT & XL 16 ½ Fru TKF 16 ½ Roc P 18 Dan FT	08-1323xx 08-1323xx 08-1321xx 08-1321xx 08-1301xx 08-1301xx 08-1321xx	280 283 292 296 300 306 311
1.50	2.25	0.06	—	<b>04-302</b>	Zinc Clear	12 ¼ Dan FC & FT 12 ¼ Dan FT - Rigid Support 12 ¼ Dex PQ & QM 12 ¼ Fru F 12 ¼ Roc Q 15 Eat ES-II - reduced envelope 15 Ing Time 15 Roc Q+ Trlr 16 ½ Dan FC, FT & XL 16 ½ Dan XL-II 16 ½ Eat ES Trlr 16 ½ Eat ES-II 16 ½ Fru F & XEM 16 ½ Fru TKF 16 ½ Hen HXS 16 ½ Roc P 16 ½ Roc P, Q & Q+ 18 Dan FT 18 Eat EB	08-1323xx 08-1341xx 08-1323xx 08-1331xx 08-1306xx 08-1351xx 08-1321xx 08-1306xx 08-1321xx 08-1328xx 08-1364xx 08-1351xx 08-1331xx 08-1301xx 08-1304xx 08-1301xx 08-1306xx 08-1321xx 08-1351xx	280 282 283 284 286 290 282 295 296 297 299 298 301 300 304 306 307 311 312
1.50	2.25	0.09	—	<b>04-328</b>	Zinc Clear	12 ¼ Dan FC & FT 12 ¼ Dan FC-111 12 ¼ Dex PQ & QM	08-1323xx 08-1329xx 08-1323xx	280 281 283
1.50	2.37	0.12	—	<b>04-322</b>	Zinc Clear	15 Roc Q+ 16 ½ Roc Cast+ & Q+ 18 Roc P	08-1318xx 08-1318xx 08-1318xx	294 305 313
1.50	2.43	0.12	—	<b>04-303</b>	Zinc Clear	12 ¼ Dan FC & FT 12 ¼ Dan FT - Rigid Support 12 ¼ Dex PQ & QM 16 ½ Dan FC, FT & XL 16 ½ Hen Intraax 18 Dan FT	08-1323xx 08-1341xx 08-1323xx 08-1321xx 08-1303xx 08-1321xx	280 282 283 296 302 311
1.62	2.25	0.03	—	<b>04-361</b>	Zinc Clear	16 ½ Roc P, Q & Q+	08-1306xx	307
1.62	2.25	0.06	—	<b>04-358</b>	Zinc Clear	12 ¼ Roc Q 15 Roc Q+ Trlr 16 ½ Eat ES Trlr 16 ½ Roc P, Q & Q+	08-1306xx 08-1306xx 08-1364xx 08-1306xx	286 295 299 307
1.62	2.37	0.06	—	<b>04-304</b>	Zinc Clear	12 ¼ Fru F 16 ½ Fru F & XEM	08-1331xx 08-1331xx	284 301
1.62	2.37	0.31	—	<b>04-362</b>	Zinc Clear	16 ½ Roc P, Q & Q+	08-1306xx	307
1.62	2.43	0.12	—	<b>04-329</b>	Zinc Clear	12 ¼ Dan FC-111 16 ½ Dan XL-II 16 ½ Hen HXS	08-1329xx 08-1328xx 08-1304xx	281 297 304
1.75	2.75	0.12	—	<b>04-325</b>	Zinc Clear	20 Dan FT	08-1322xx	314

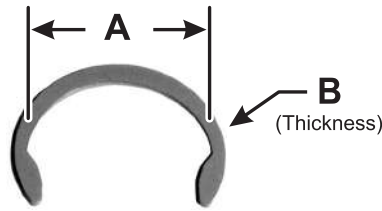
## Lock Rings



### Type 1

Dim. A	Dim. B	Dim. C	Dim. D	Part No.	Finish	Application	Kit No.	Page
1.06	0.09	—	—	<b>04-356</b>	Zinc Clear	325mm Wat SL	08-1365xx	287
						15 Dan HA	08-1381xx	288
						15 Roc Q	08-1361xx	293
1.25	0.06	—	—	<b>01-482</b>	Plain	12 ¼ Dan FC & FT	08-1323xx	280
						12 ¼ Dan FC-111	08-1329xx	281
						12 ¼ Dex PQ & QM	08-1323xx	283
						12 ¼ Roc Q	08-1306xx	286
						15 Ing Time	08-1321xx	292
						15 Roc Q+ Trlr	08-1306xx	295
						16 ½ Dan FC, FT & XL	08-1321xx	296
						16 ½ Dan XL-II	08-1328xx	297
						16 ½ Eat ES Trlr	08-1364xx	299
						16 ½ Hen HXS	08-1304xx	304
						16 ½ Hen Intraax	08-1303xx	302
						16 ½ Roc P, Q & Q+	08-1306xx	307
						18 Dan FT	08-1321xx	311
						1.25	0.09	—
16 ½ Roc Cast+ & Q+	08-1318xx	305						
18 Roc P	08-1318xx	313						
1.50	0.06	—	—	<b>04-310</b>	Plain	12 ¼ Dan FC & FT	08-1323xx	280
						12 ¼ Dan FC-111	08-1329xx	281
						12 ¼ Dan FT - Rigid Support	08-1341xx	282
						12 ¼ Dex PQ & QM	08-1323xx	283
						12 ¼ Fru F	08-1331xx	284
						15 Ing Time	08-1321xx	292
						16 ½ Dan FC, FT & XL	08-1321xx	296
						16 ½ Dan XL-II	08-1328xx	297
						16 ½ Eat ES Trlr	08-1364xx	299
						16 ½ Fru F & XEM	08-1331xx	301
						16 ½ Fru TKF	08-1301xx	300
						16 ½ Hen HXS	08-1304xx	304
						16 ½ Hen Intraax	08-1303xx	302
						16 ½ Roc P	08-1301xx	306
18 Dan FT	08-1321xx	311						
1.62	0.06	—	—	<b>04-315</b>	Zinc Clear	12 ¼ Fru F	08-1331xx	284
						12 ¼ Roc Q	08-1306xx	286
						16 ½ Fru F & XEM	08-1331xx	301
1.75	0.06	—	—	<b>04-326</b>	Zinc Clear	20 Dan FT	08-1322xx	314

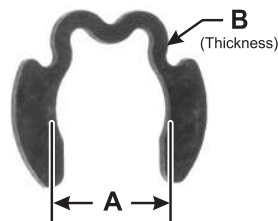
## Lock Rings - continued



A = O.D. of Camshaft

### Type 2

Dim. A	Dim. B	Dim. C	Dim. D	Part No.	Finish	Application	Kit No.	Page
1.50	0.06	—	—	04-314	Zinc Clear	12 ¼ Dan FC & FT	08-1323xx	280
						12 ¼ Dan FT - Rigid Support	08-1341xx	282
						12 ¼ Dex PQ & QM	08-1323xx	283
1.62	0.06	—	—	04-363	Zinc Clear	12 ¼ Dan FC-111	08-1329xx	281
						16 ½ Dan XL-II	08-1328xx	297
						16 ½ Eat ES Trlr	08-1364xx	299
						16 ½ Hen HXS	08-1304xx	304

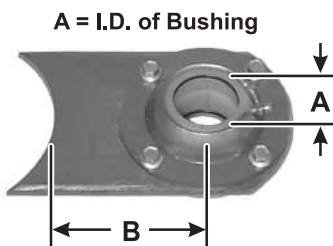


A = O.D. of Camshaft

### Type 3

Dim. A	Dim. B	Dim. C	Dim. D	Part No.	Finish	Application	Kit No.	Page
1.12	0.09	—	—	04-319	Zinc Clear	15 Eat EB & ES	08-1375xx	289
						15 Eat ES-II - reduced envelope	08-1351xx	290
						16 ½ Eat ES-II	08-1351xx	298
						18 Eat EB	08-1351xx	312

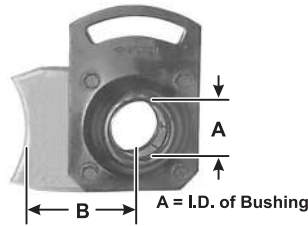
## Dana Support Brackets



### Type 1

Dim. A	Dim. B	Dim. C	Dim. D	Part No.	Finish	Application	Bushing	Page
1.50	2.00	—	—	03-115	Plain Steel	12 ¼ Dan FC & FT 5 rd	03-208	280
1.50	3.50	—	—	03-114	Plain Steel	16 ½ Dan Fc & FT 5 rd	03-208	296
				03-119		Retainer plate only		—

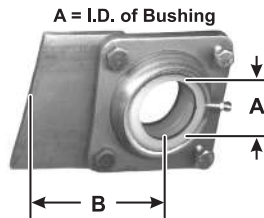
## Dana Support Brackets - continued



### Type 3

Dim. A	Dim. B	Dim. C	Dim. D	Part No.	Finish	Application	Bushing	Page
1.50	2.00	—	—	<b>03-1151</b>	Plain Steel	12 ¼ Dan FC-111 5 rd (RH)	03-2081	281
				<b>03-1152</b>		12 ¼ Dan FC-111 5 rd (LH)	03-2082	281
1.50	3.50	—	—	<b>03-1141</b>	Plain Steel	16 ½ Dan XL-II 5 rd (RH)	03-2081	297
				<b>03-1142</b>		16 ½ Dan XL-II 5 rd (LH)	03-2082	297

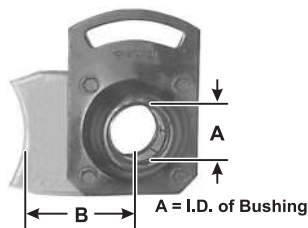
## Fruehauf Support Brackets



### Type 1

Dim. A	Dim. B	Dim. C	Dim. D	Part No.	Finish	Application	Bushing	Page
1.62	2.00	—	—	<b>03-271A</b>	Plain Steel	12 ¼ Fru F 5 sq	03-207	284
1.62	3.50	—	—	<b>03-270A</b>	Plain Steel	16 ½ Fru F & XEM 5 sq	03-207	301
				<b>03-272</b>		Retainer plate kit		—

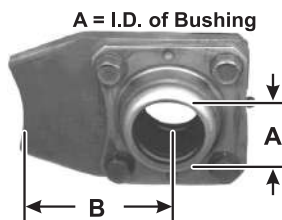
## Hendrickson Support Brackets



### Type 1

Dim. A	Dim. B	Dim. C	Dim. D	Part No.	Finish	Application	Bushing	Page
1.50	3.50	—	—	<b>03-1171</b>	Plain Steel	16 ½ Hen HXS 5 rd (RH)	03-2151	304
				<b>03-1172</b>		16 ½ Hen HXS 5 rd (LH)	03-2152	304

## Rockwell Support Brackets



### Type 1

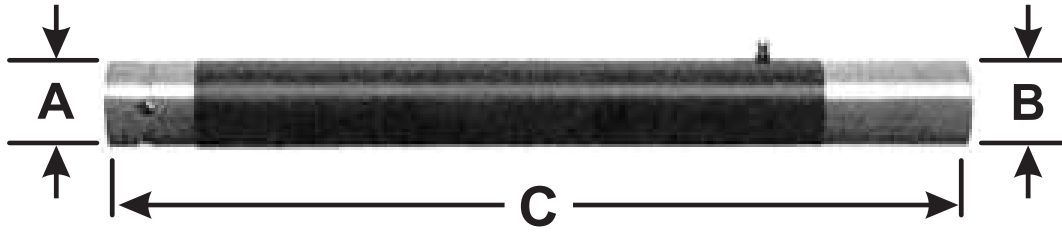
Dim. A	Dim. B	Dim. C	Dim. D	Part No.	Finish	Application	Bushing	Page
1.50	3.50	—	—	<b>03-130</b>	Plain Steel	16 ½ Roc P, Q, Q+ 5 rd	03-209	307
1.50	3.50	—	—	<b>03-132</b>	Plain Steel	16 ½ Roc P, Q, Q+ 5 rd	03-2091	307
				<b>03-260</b>		Axle bracket only 5 rd		—

# Camshaft Tubes Camshaft Tube Brackets

# Camshaft Components

Camshaft Components

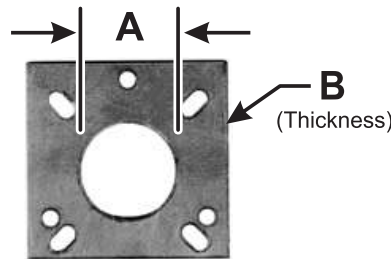
## Camshaft Tubes



### Type 1

Dim. A	Dim. B	Dim. C	Dim. D	Part No.	Finish	Application	Camshaft No.	Page		
1.50	1.50	16.0	—	<b>03-151</b>	Plain Steel	16 ½ Dan FT	04-571861/2	255		
		17.75	—	<b>03-146</b>	Plain Steel	16 ½ Dan FT 16 ½ Dan FC 16 ½ Dan XL 16 ½ Dan XL	04-572041/2 04-582041/2 04-592041/2 04-602041/2	255 254 256 257		
		21.0	—	<b>03-147</b>	Plain Steel	16 ½ Dan FT 16 ½ Dan FC 16 ½ Dan XL 16 ½ Dan XL	04-572351/2 04-582351/2 04-592351/2 04-602351/2	255 254 256 257		
		23.62	—	<b>03-148</b>	Plain Steel	16 ½ Dan FT 16 ½ Dan FT 16 ½ Dan XL 16 ½ Dan XL	04-572631/2 04-572651/2 04-592631/2 04-602651/2	255 255 256 257		
		1.62	1.50	14.81	—	<b>03-182</b>	Plain Steel	16 ½ Dan XL-II	04-551741/2	259
								16 ½ Dan XL-II	04-561741/2	259
	16 ½ Roc P							04-881731/2	271	
	16 ½ Roc Q							04-891731/2	272	
	21.0		—	<b>03-184</b>	Plain Steel	16 ½ Dan XL-II 16 ½ Dan XL-II 16 ½ Eat ES 16 ½ Eat ES	04-552351/2 04-562351/2 04-732361/2 04-742361/2	258 259 261 261		
	21.62		—	<b>03-181</b>	Plain Steel	16 ½ Roc P 16 ½ Roc Q 16 ½ Roc Q	04-882421/2 04-892421/2 04-912421/2	271 272 272		
	23.50	—	<b>03-185</b>	Plain Steel	16 ½ Dana XL-II	04-562631/2	259			
	1.62	1.62	13.75	—	<b>03-160</b>	Plain Steel	16 ½ Fru F & XEM	04-811621/2	262	
19.0			—	<b>03-161</b>	Plain Steel	16 ½ Fru F & XEM	04-812121/2	262		

## Camshaft Tube Brackets

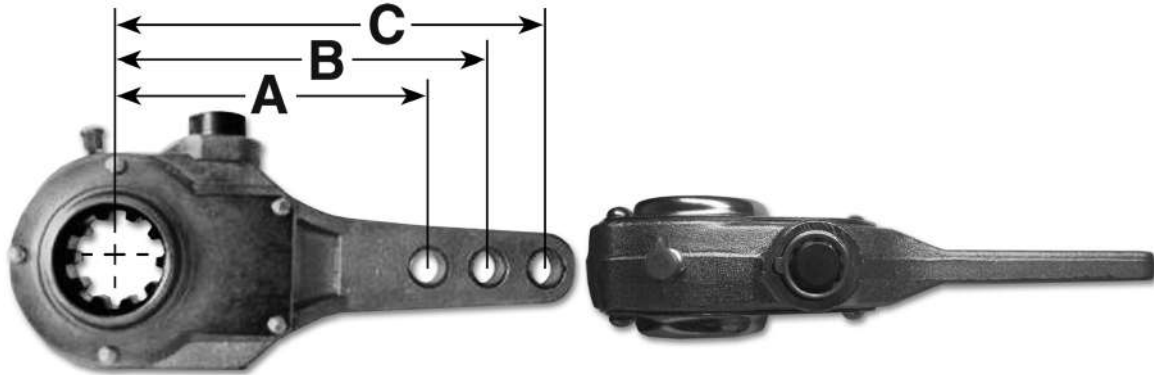


### Type 1

Dim. A	Dim. B	Dim. C	Dim. D	Part No.	Finish	Application	Kit No.
1.87	0.12	—	—	<b>03-168</b>	Plain Steel	1 ½ x 1 ½ Camshafts	—
2.00	0.12	—	—	<b>03-170</b>	Plain Steel	1 ⅝ x 1 ½ Camshafts	—
2.00	0.25	—	—	<b>03-169</b>	Plain Steel	1 ⅝ x 1 ⅝ Camshafts	—

# Slack Adjusters

# Manual - Straight



Slack Adjusters

## Manual Straight

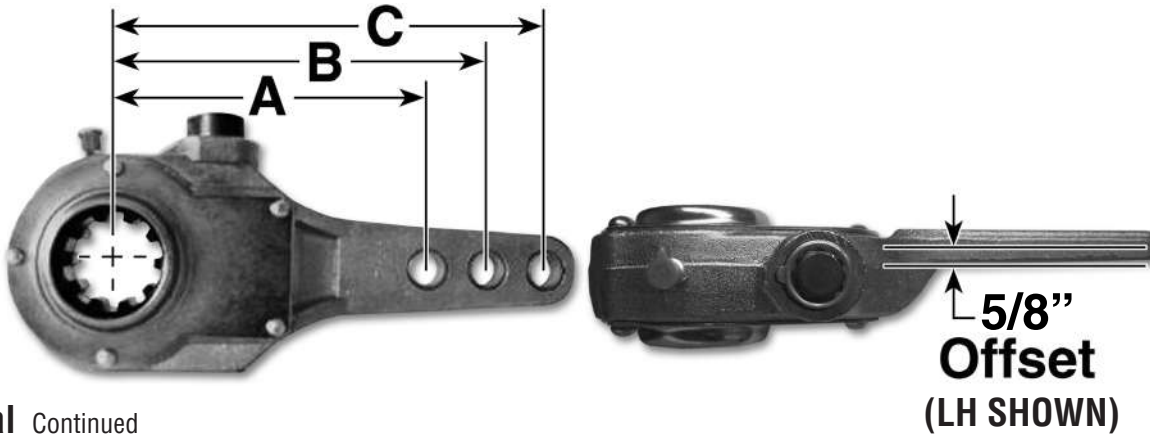
Spline	RH/LH	Clevis Incl.	Dim. A	Dim. B	Dim. C	Part No.	Grade	Rating	Remarks
1.25-10	—	None	5.0	6.0	—	<b>05-215</b>	Standard	26,000 in/lb	
			4.5	5.5	—	<b>05-214</b>	Standard	26,000 in/lb	
1.25-24	—	None	5.5	—	—	<b>05-254</b>	Standard	26,000 in/lb	
1.50-10	—	None	5.0	6.0	7.0	<b>05-203</b>	Standard	26,000 in/lb	
						<b>05-203EQ</b>	Economy	22,000 in/lb	
			5.0	6.0	7.0	<b>05-260</b>	Heavy Duty	30,000 in/lb	
			5.5	6.5	—	<b>05-201</b>	Standard	26,000 in/lb	
						<b>05-201EQ</b>	Economy	22,000 in/lb	
			5.5	6.5	—	<b>05-261</b>	Heavy Duty	30,000 in/lb	
1.50-28	—	None	5.0	6.0	7.0	<b>05-238</b>	Standard	26,000 in/lb	
						<b>05-238EQ</b>	Economy	22,000 in/lb	
			5.0	6.0	—	<b>05-262</b>	Heavy Duty	30,000 in/lb	
			5.5	6.5	—	<b>05-237</b>	Standard	26,000 in/lb	
						<b>05-237EQ</b>	Economy	22,000 in/lb	
			5.5	6.5	—	<b>05-263</b>	Heavy Duty	30,000 in/lb	
1.62-37	—	None	5.5	—	—	<b>05-241</b>	Standard	26,000 in/lb	
			6.0	—	—	<b>05-240</b>	Standard	26,000 in/lb	
						<b>05-240EQ</b>	Economy	22,000 in/lb	



**Manual - 5/8" offset**  
**Manual - 1 1/2" offset**

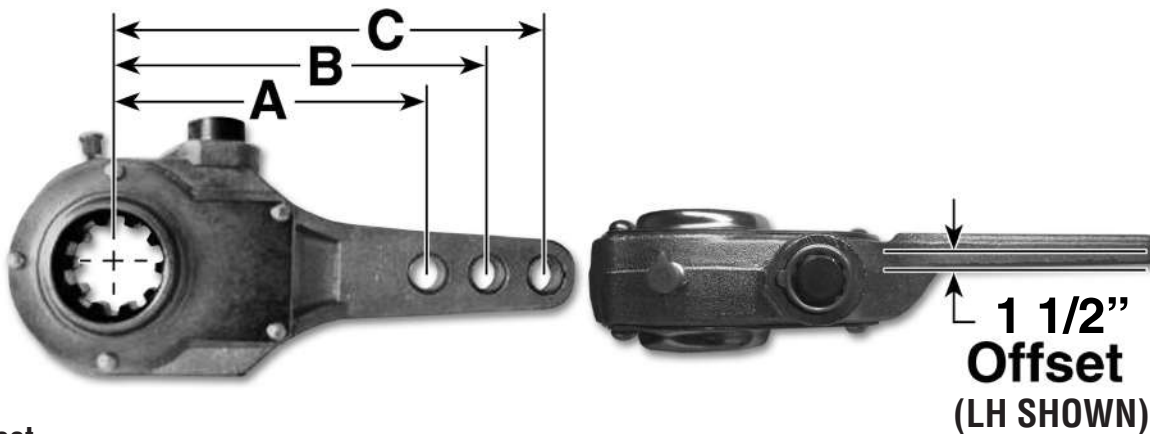
**Slack Adjusters**

Slack Adjusters



**Manual** Continued  
**5/8" offset**

Spline	RH/LH	Clevis Incl.	Dim. A	Dim. B	Dim. C	Part No.	Grade	Rating	Remarks
1.25-10	RH	None	4.5	5.5	—	05-232	Standard	26,000 in/lb	
	LH	None	4.5	5.5	—	05-233	Standard	26,000 in/lb	
1.25-24	RH	None	5.5	—	—	05-256	Standard	26,000 in/lb	
	LH	None	5.5	—	—	05-257	Standard	26,000 in/lb	
1.50-10	RH	None	4.5	5.5	—	05-226	Standard	26,000 in/lb	
	LH	None	4.5	5.5	—	05-227	Standard	26,000 in/lb	
	RH	None	6.0	7.0	—	05-224	Standard	26,000 in/lb	
	LH	None	6.0	7.0	—	05-225	Standard	26,000 in/lb	



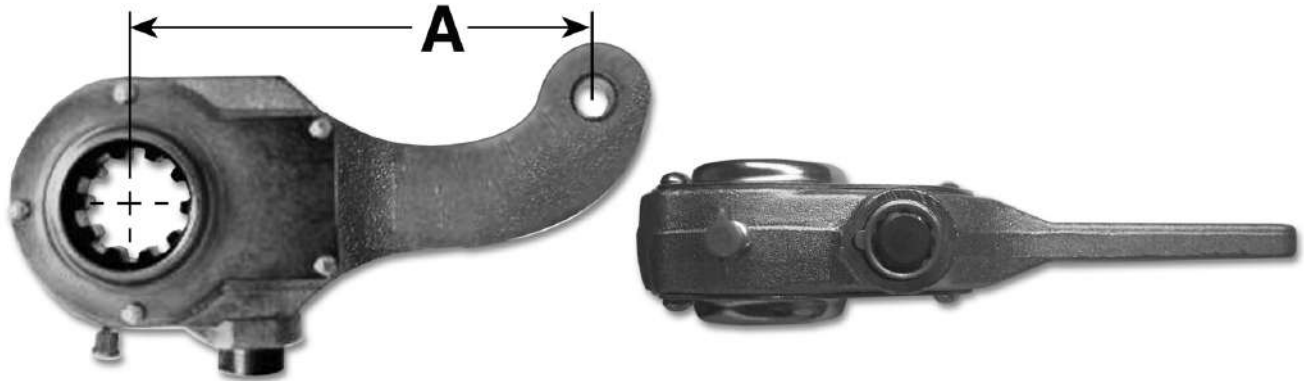
**1 1/2 offset**

Spline	RH/LH	Clevis Incl.	Dim. A	Dim. B	Dim. C	Part No.	Grade	Rating	Remarks
1.50-10	RH	None	5.0	6.0	—	05-216	Standard	22,000 in/lb	
	LH	None	5.0	6.0	—	05-217	Standard	22,000 in/lb	
	RH	None	5.5	6.5	—	05-220	Heavy Duty	26,000 in/lb	
	LH	None	5.5	6.5	—	05-221	Heavy Duty	26,000 in/lb	
1.50-28	RH	None	5.5	6.5	—	05-230	Heavy Duty	26,000 in/lb	
	LH	None	5.5	6.5	—	05-231	Heavy Duty	26,000 in/lb	

# Slack Adjusters

Manual - Curved  
Bendix Replacement - Straight

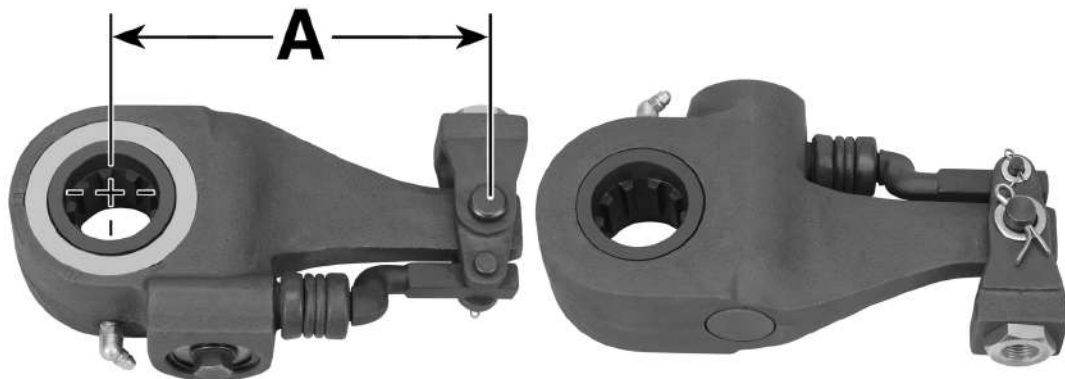
Slack Adjusters



## Manual Curved

Continued

Spline	RH/LH	Clevis Incl.	Dim. A	Dim. B	Dim. C	Part No.	Grade	Rating	Remarks
1.50-10	—	None	6.0	—	—	05-250	Standard	22,000 in/lb	12-¼ Brakes
1.50-28	—	None	6.0	—	—	05-251	Standard	22,000 in/lb	12-¼ Brakes



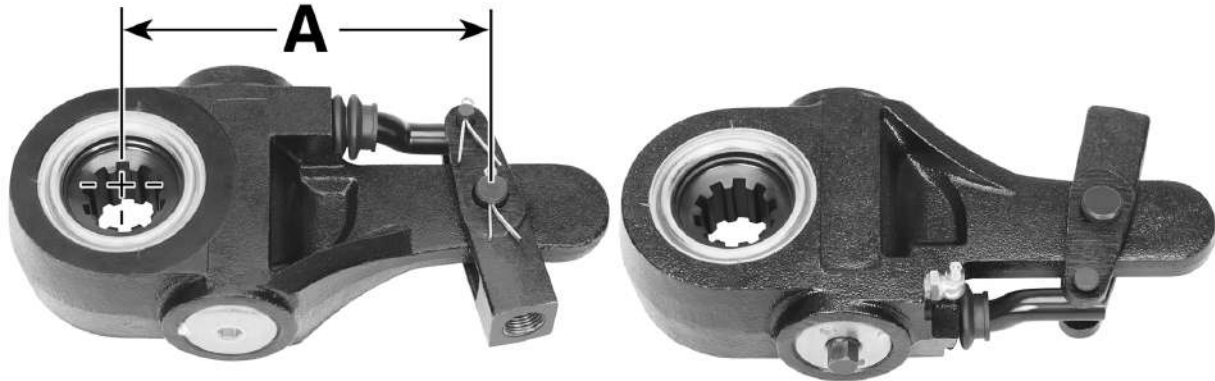
## Bendix Replacement Straight

Spline	RH/LH	Clevis Incl.	Dim. A	Dim. B	Dim. C	Part No.	Grade	Rating	Remarks
1.50-10	—	¾ Straight	5.5	—	—	05-461	—	26,000 in/lb	
			6.0	—	—	05-460	—	26,000 in/lb	
1.50-28	—	¾ Straight	5.5	—	—	05-463	—	26,000 in/lb	
			6.0	—	—	05-462	—	26,000 in/lb	

**Crewson Replacement - Straight**  
**Crewson Replacement - Straight w/recess**

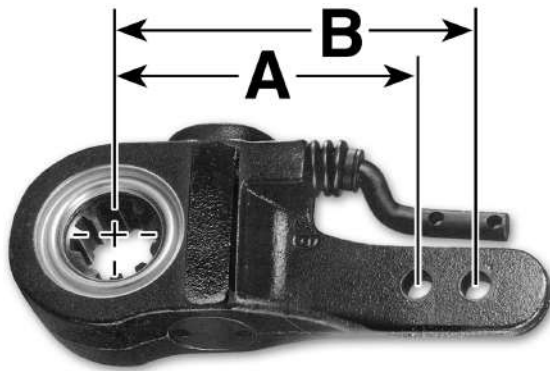
**Slack Adjusters**

Slack Adjusters



**Crewson Replacement**  
**Straight**

Spline	RH/LH	Clevis Incl.	Dim. A	Dim. B	Dim. C	Part No.	Grade	Rating	Remarks
1.25-10	—	% Straight	5.5	—	—	05-570	—	26,000 in/lb	
1.25-24	—	% Straight	5.5	—	—	05-572	—	26,000 in/lb	
1.50-10	—	% Straight	5.0	6.0	—	05-560	—	26,000 in/lb	
			5.5	6.5	—	05-561	—	26,000 in/lb	
1.50-28	—	% Straight	5.0	6.0	—	05-562	—	26,000 in/lb	
			5.5	6.5	—	05-563	—	26,000 in/lb	
1.62-37	—	% Straight	5.5	—	—	05-565	—	26,000 in/lb	
			6.0	—	—	05-564	—	26,000 in/lb	

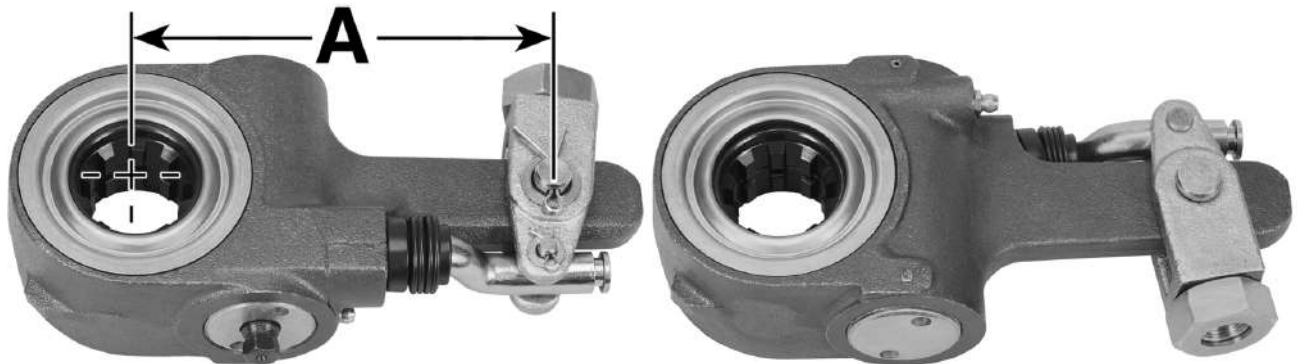


**Crewson Replacement** Continued  
**Straight w/recess**

Spline	RH/LH	Clevis Incl.	Dim. A	Dim. B	Dim. C	Part No.	Grade	Rating	Remarks
1.50-28	—	% Straight	6.0	—	—	05-552	—	26,000 in/lb	12-¼ Brakes

# Slack Adjusters

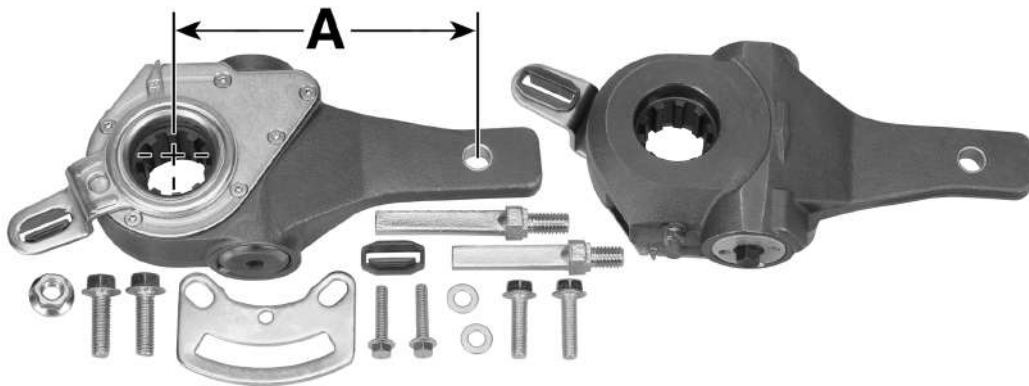
Gunite Replacement - Straight  
Haldex Replacement - Straight



Slack Adjusters

## Gunite Replacement Straight

Spline	RH/LH	Clevis Incl.	Dim. A	Dim. B	Dim. C	Part No.	Grade	Rating	Remarks
1.25-10	—	5/8 Straight	5.5	—	—	05-770	—	26,000 in/lb	
1.25-24	—	5/8 Straight	5.5	—	—	05-772	—	26,000 in/lb	
1.50-10	—	5/8 Straight	6.0	—	—	05-760	—	26,000 in/lb	
			5.5	—	—	05-761	—	26,000 in/lb	
1.50-28	—	5/8 Straight	6.0	—	—	05-762	—	26,000 in/lb	
			5.5	—	—	05-763	—	26,000 in/lb	
1.62-37	—	5/8 Straight	6.0	—	—	05-764	—	26,000 in/lb	



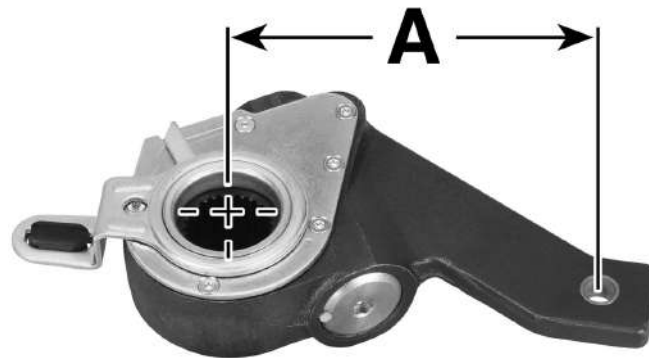
## Haldex Replacement Straight

Spline	RH/LH	Clevis Incl.	Dim. A	Dim. B	Dim. C	Part No.	Grade	Rating	Remarks
1.50-10	—	—	5.5	6.5	—	05-661	—	26,000 in/lb	Drive axle, 05-589 Hdwe kit
			6.0	—	—	05-660	—	26,000 in/lb	Trailer axle, 05-587 Hdwe kit
1.50-28	—	—	5.0	6.0	—	05-655	—	26,000 in/lb	Drive axle, 05-589 Hdwe kit
			5.5	—	—	05-668	—	26,000 in/lb	Drive axle, 05-586 Hdwe kit
			5.5	6.5	—	05-663	—	26,000 in/lb	Drive axle, 05-589 Hdwe kit
			5.5	6.5	—	05-658	—	26,000 in/lb	Mack drive axle, 05-588 Hdwe kit
			6.0	—	—	05-659	—	26,000 in/lb	Mack drive axle, 05-588 Hdwe kit
			6.0	—	—	05-662	—	26,000 in/lb	Trailer axle, 05-587 Hdwe kit
1.62-37	—	—	6.0	—	—	05-664	—	26,000 in/lb	Trailer axle, 05-586 Hdwe kit

# Haldex Replacement - Angled Meritor Replacement - Straight

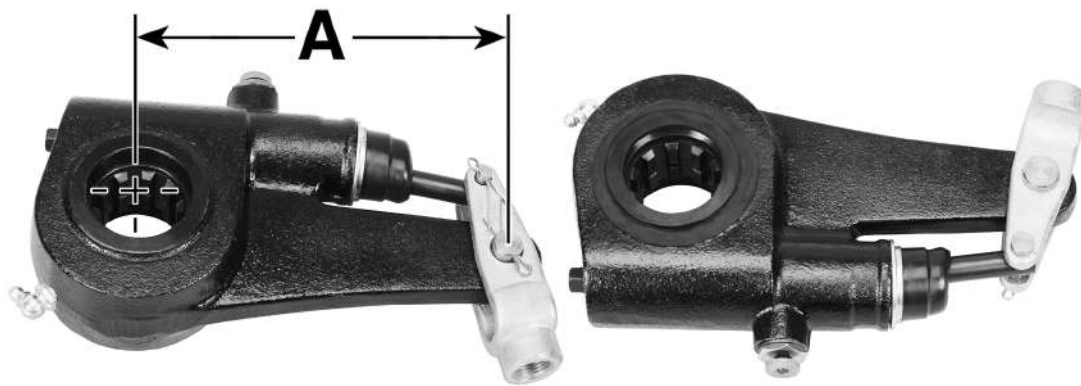
# Slack Adjusters

Slack Adjusters



## Haldex Replacement Angled

Spline	RH/LH	Clevis Incl.	Dim. A	Dim. B	Dim. C	Part No.	Grade	Rating	Remarks
1.50-28	—	None	6.0	—	—	05-651	—	26,000 in/lb	12 ¼ Brakes, 05-586 Hdwe kit



## Meritor Replacement Straight

Spline	RH/LH	Clevis Incl.	Dim. A	Dim. B	Dim. C	Part No.	Grade	Rating	Remarks
1.25-10	—	¾ Straight	5.5	—	—	05-370	—	26,000 in/lb	
1.25-24	—	¾ Straight	5.5	—	—	05-372	—	26,000 in/lb	
1.50-10	—	¾ Straight	5.5	—	—	05-361	—	26,000 in/lb	
			6.0	—	—	05-360	—	26,000 in/lb	
1.50-28	—	¾ Straight	5.5	—	—	05-363	—	26,000 in/lb	
			5.5	—	—	05-3631	—	26,000 in/lb	RH pawl location
				—	—	05-3632	—	26,000 in/lb	LH pawl location
			6.0	—	—	05-362	—	26,000 in/lb	
6.0	—	—	—	—	—	05-3621	—	26,000 in/lb	RH pawl location
				—	—	05-3622	—	26,000 in/lb	LH pawl location

# Slack Adjusters

# Clevis Assembly Clevis Pin

Slack Adjusters



**Bendix Clevis Assembly  
Type 1**

	Part No.	Thread Size	Pin Size	Pin Length
Straight	05-585	5/8"	(1) 1/2", (1) 1/4"	—



**Meritor Clevis Assembly  
Type 1**

	Part No.	Thread Size	Pin Size	Pin Length
Straight	05-578	5/8"	(1) 1/2", (1) 1/4"	—



**Type 1**

	Part No.	Thread Size	Pin Size	Pin Length
Straight	05-5741	1/2"	(1) 1/2", (1) 1/4"	1-3/4"
	05-5751	5/8"	(1) 1/2", (1) 1/4"	1-3/4"



**Manual Clevis Assembly  
Type 1**

	Part No.	Thread Size	Pin Size	Pin Length
Straight	05-1212	1/2"	1/2"	—
	05-1258	5/8"	1/2"	—
	05-5858	5/8"	5/8"	—



**Gunite Clevis Assembly  
Type 1**

	Part No.	Thread Size	Pin Size	Pin Length
Straight	05-590	5/8"	(1) 1/2", (1) 1/4"	—



**Crewson Clevis Pins  
Type 1**

	Part No.	Thread Size	Pin Size	Pin Length
—	05-579	—	(1) 1/2", (1) 1/4"	1-3/4"



**Clevis Pins  
Haldex Hardware kit  
Slack Arm Bushing**

**Slack Adjusters**

Slack Adjusters



**Manual Clevis Pins  
Type 1**

	Part No.	Thread Size	Pin Size	Pin Length
—	05-1215	—	1/2"	1 9/16"
	05-5815	—	5/8"	1 1/16"



**Haldex Hardware Kit  
Type 1**

Part No.	Remarks
05-586	Fruehauf



**Type 2**

Part No.	Remarks
05-587	Dana, Eaton, Meritor, Std Frg



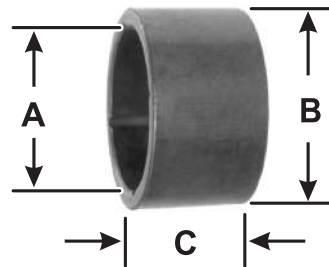
**Type 3**

Part No.	Remarks
05-588	Mack drive axle



**Type 4**

Part No.	Remarks
05-589	Drive axle angled strap



**Slack Arm Bushing**

**Type 1**

Dim. A	Dim. B	Dim. C	Part No.	Grade	Remarks
.50	.62	.46	05-210	Bronze	For all slacks with 5/8 hole

# Air Chambers

# Combination Chambers

Air Chambers

## Combo Chamber

Service Type	Part No.	Parking Type	Pushrod Stroke	Pushrod Length
24	2424CE	24	2 1/2"	9"
	2430CE	30	2 1/2"	9"
30  (Intraax) (Welded clevis)	3030CE	30	2 1/2"	11 13/16"
	3030CE18	30	2 1/2"	18 1/2"
	3030CE-INT	30	2 1/2"	12 5/16"
	3030CEW	30	2 1/2"	3 1/4"
	3036CE	36	2 1/2"	12 3/8"
36	3636CE	36	3"	11"

## Combo Chamber - Long Stroke

Service Type	Part No.	Parking Type	Pushrod Stroke	Pushrod Length
30  (Intraax) (Welded clevis)	3030CLE	30	3"	14"
	3030CLE-INT	30	3"	12 7/8"
	3030CLEW	30	3"	3 3/4"

## Service Chamber

Service Type	Part No.	Parking Type	Pushrod Stroke	Pushrod Length
16	05-116	—	2 1/4"	9 1/2"
20	05-120	—	2 1/4"	9 1/2"
24	05-124	—	2 1/2"	10 1/2"
30	05-130	—	2 1/2"	10 1/2"
36	05-136	—	3"	10 1/2"

## Spring Brake Kit

Service Type	Part No.	Parking Type	Pushrod Stroke	Pushrod Length
30	3030PEK	30	2 1/2"	—

## Spring Brake Kit - Long Stroke

Service Type	Part No.	Parking Type	Pushrod Stroke	Pushrod Length
30	3030PLEK	30	3"	—



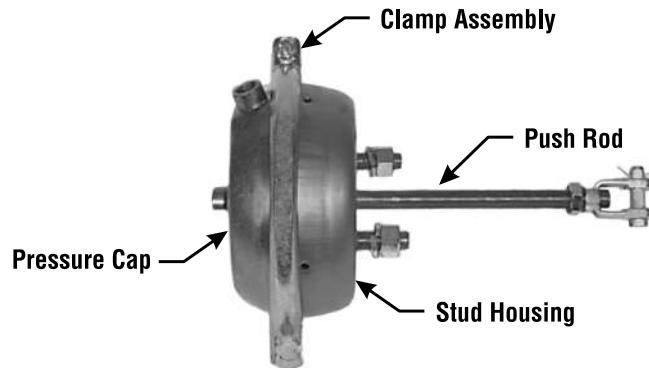
# Air Chamber Components

## Air Chamber Brackets

# Air Chambers

Air Chambers

### Service Chamber Diagram



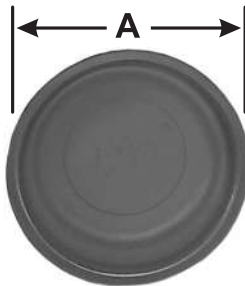
### Air Chamber Components

#### Band Clamp Assy

Service Type	Part No.	Dim. A
24	05-126	—
30	05-132	—

#### Caging Bolt

Service Type	Part No.	Dim. A
24 & 30	05-149	—



#### Diaphragm

Service Type	Part No.	Dim. A
12	05-012	5 1/2"
16	05-016	6 1/4"
20	05-020	6 1/2"
24	05-024	7"
30	05-030	7 7/8"
36	05-036	8 3/4"

#### Diaphragm - Long Stroke

Service Type	Part No.	Dim. A
30	05-030L	7 7/8"

#### Dust Cap

Service Type	Part No.	Dim. A
30	05-148	—

#### Pressure Cap

Service Type	Part No.	Dim. A
30	05-133	—

#### Pushrod

Service Type	Part No.	Dim. A
—	05-134	—

#### Return Spring

Service Type	Part No.	Dim. A
24 & 30	05-129	—

#### Stud Housing

Service Type	Part No.	Dim. A
30	05-131	—

#### Weather Boot

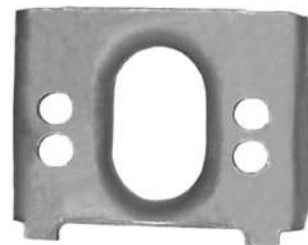
Service Type	Part No.	Dim. A
24 & 30	05-135	—

### Air Chamber Brackets



#### One Piece Bracket

Axle Manufacturer	Part No.	Axle Shape
12 1/4" Dana	05-164	5" Round



Axle Manufacturer	Part No.	Axle Shape
16 1/2" Dana	05-162	5" Round

# Air Chambers

# Air Chamber Brackets Air Hoses

Air Chambers

## Air Chamber Brackets

One Piece Bracket Continued

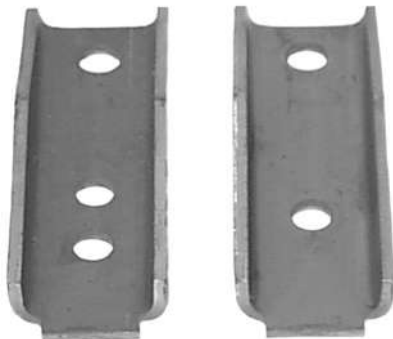


Axle Manufacturer	Part No.	Axle Shape
16 1/2" Rockwell	05-171	5" Round



Axle Manufacturer	Part No.	Axle Shape
16 1/2" Rockwell	05-172	4" x 6" Rectangle

## Two Piece Bracket



Axle Manufacturer	Part No.	Axle Shape
16 1/2" Fruehauf	05-177	5" Square

## Air Hoses



### 3/8" Hose, 1/4" Fittings, 1 Swivel

Hose Size	Fitting Size	Part No.	Hose Len.	Swivel End
3/8"	1/4"	12-38016	16"	one
		12-38018	18"	one
		12-38020	20"	one
		12-38022	22"	one
		12-38024	24"	one
		12-38026	26"	one
		12-38028	28"	one
		12-38030	30"	one
		12-38032	32"	one
		12-38034	34"	one
		12-38036	36"	one
		12-38038	38"	one
		12-38040	40"	one
		12-38042	42"	one
		12-38044	44"	one
		12-38046	46"	one
12-38048	48"	one		

### 3/8" Hose, 3/8" Fittings, 1 Swivel

Hose Size	Fitting Size	Part No.	Hose Len.	Swivel End
3/8"	3/8"	12-38318	18"	one
		12-38320	20"	one
		12-38322	22"	one
		12-38324	24"	one
		12-38326	26"	one
		12-38328	28"	one
		12-38330	30"	one
		12-38332	32"	one
		12-38334	34"	one
		12-38336	36"	one
		12-38338	38"	one
		12-38340	40"	one
		12-38342	42"	one
		12-38344	44"	one
		12-38346	46"	one
		12-38348	48"	one
		12-38354	54"	one
		12-38360	60"	one
12-38372	72"	one		

**Air Hoses** Continued



**3/8" Hose, 3/8" Fittings, 2 Swivels**

Hose Size	Fitting Size	Part No.	Hose Len.	Swivel End
3/8"	3/8"	12-38226	26"	both
		12-38234	34"	both
		12-38240	40"	both
		12-38252	52"	both
		12-38260	60"	both
		12-38272	72"	both

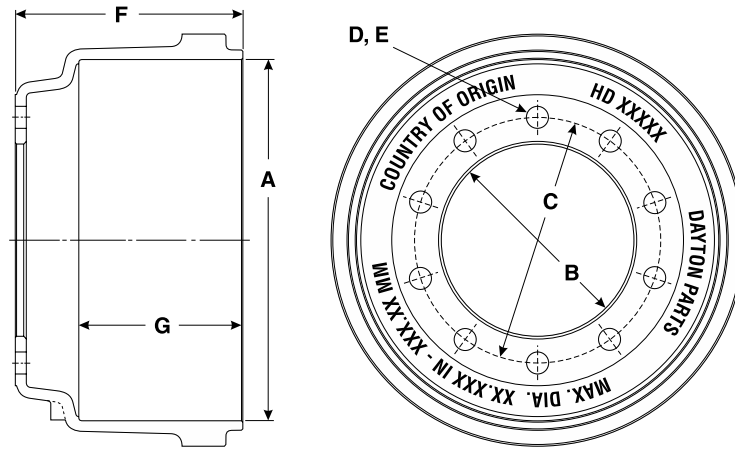
**1/2" Hose, 3/8" Fittings, 1 Swivel**

Hose Size	Fitting Size	Part No.	Hose Len.	Swivel End
1/2"	3/8"	12-38116	16"	one
		12-38118	18"	one
		12-38120	20"	one
		12-38122	22"	one
		12-38124	24"	one
		12-38126	26"	one
		12-38128	28"	one
		12-38130	30"	one
		12-38132	32"	one
		12-38134	34"	one
		12-38136	36"	one
		12-38138	38"	one
		12-38140	40"	one
		12-38142	42"	one
		12-38144	44"	one
		12-38146	46"	one
12-38148	48"	one		
12-38160	60"	one		

**Air Hose Swivel**

Hose Size	Fitting Size	Part No.	Hose Len.	Swivel End
3/8"	1/4"	12-38001	—	—
1/2"	3/8"	12-38101	—	—

# Heavy Duty Brake Drums



Heavy Duty Brake Drums

Brake Surface Dia. (A)	Drum Mount	Part No.	Pilot Dia. (B)	Bolt Circle Dia. (C)	Bolt Holes (D)	Bolt Hole Size (E)	Overall Height (F)	Brake Surface Width (G)	Drum Weight	Machine Balanced
12.25 x 7.50	Inboard	HD24	7.00	8.25	6/6	0.66/0.53	9.07	7.81	81.4	no
		HD22	8.50	10.00	6	0.66	9.07	8.00	79.2	no
	Outboard	HD27	9.00	10.83	8	1.00	11.22	10.00	88.0	no
15.00 x 4.00	Outboard	HD14M	8.78	11.25	10	1.00	8.86	4.75	83.6	yes
		HD25M	8.78	11.25	10	1.00	9.04	4.50	85.8	yes
		HD6M	8.78	11.25	10	1.28	8.86	4.75	83.6	yes
		HD17M	8.78	11.25	10	1.28	9.04	4.50	85.8	yes
15.00 x 8.62	Outboard	HD29M	8.78	11.25	10	1.00	11.90	9.30	105.6	yes
16.50 x 5.00	Outboard	HD33M	8.78	11.25	10	1.00	9.37	5.45	99.0	yes
		HD18M	8.78	11.25	10	1.28	9.04	5.45	99.0	yes
		HD32M	8.78	11.25	10	1.28	9.37	5.45	99.0	yes
16.50 x 6.00	Outboard	HD30M	8.78	11.25	10	1.00	9.75	6.50	121.0	yes
		HD19M	8.78	11.25	10	1.28	9.75	6.50	121.0	yes
16.50 x 7.00	Inboard	HD4	9.44	11.00	5/6	0.78/0.66	8.41	7.63	110.0	no
		HD5	9.44	11.25	10	0.84	9.50	7.56	92.4	no
		HD13	9.50	11.25	5/6	0.81/0.66	8.75	7.50	114.4	no
		HD8	9.50	11.25	10	0.81	8.74	7.50	110.0	no
		HD10	10.50	12.75	5/6	0.78	8.74	7.58	99.0	no
		HD9	11.00	12.75	6	0.66	7.93	7.31	105.6	no
		HD7M	11.25	12.75	5/6	0.78	8.46	7.41	107.8	yes
	Outboard	HD2	8.53	11.25	10	0.81	10.59	7.63	112.2	no
		HD20	8.78	11.25	10	1.00	10.30	7.30	110.0	no
		HD1SD	8.78	11.25	10	1.00	10.56	7.60	127.6	no
		HD1M	8.78	11.25	10	1.00	10.62	7.60	111.7	yes
		HD1HM	8.78	11.25	10	1.00	10.62	7.60	114.4	yes
		HD28M	8.78	11.25	10	1.00	11.18	7.44	110.0	yes
		HD23	9.00	10.82	8	1.00	10.62	7.81	105.6	no
16.50 x 8.00	Outboard	HD31M	8.78	11.25	10	1.00	11.06	8.60	118.8	yes
		HD26M	8.78	11.25	10	1.00	11.39	9.12	114.4	yes
		HD11	11.00	12.75	6	0.66	8.24	7.50	123.2	no

# Air Brake Nylon Tubing

## Air Brake Fittings - Short Nut

# Air Brake Fittings

Air Brake Fittings

### Air Brake Nylon Tubing



#### SAE J844 Nylon Tubing

Line	Wall Size	Color	Length	Part No.
1/8	.023	Black	100 ft	12-08002
5/32	.023	Black	50 ft	12-08003
1/4	.040	Black	100 ft	12-08004
		Red	100 ft	12-08004E
		Blue	100 ft	12-08004S
3/8	.062	Black	100 ft	12-08006
			500 ft	12-08106
		Red	100 ft	12-08006E
1/2	.062	Black	100 ft	12-08006S
		Red	100 ft	12-08006E
		Blue	100 ft	12-08006S
1/2	.062	Black	50 ft	12-08008
		Red	50 ft	12-08008E
		Blue	50 ft	12-08008S
5/8	.092	Black	50 ft	12-08010
3/4	.092	Black	50 ft	12-08012

#### Short Nut

\*Use with SAE J844 type 3A & 3B nylon tubing.



#### Insert

Tube	Part No.
1/8	12-09802
5/32	12-09802
1/4	12-09804
3/8	12-09806
1/2	12-09808
5/8	12-09810
3/4	12-09812



#### Sleeve

Tube	Part No.
1/8	12-09910
5/32	12-09908
1/4	12-09911
3/8	12-09912
1/2	12-09913
5/8	12-09914
3/4	12-09915



#### Nut

Tube	Part No.
1/8	12-09902
5/32	12-09900
1/4	12-09903
3/8	12-09904
1/2	12-09905
5/8	12-09906



#### Male Connector

Tube	Pipe	Part No.
1/8	1/16	12-09920
	1/8	12-09922
5/32	1/16	12-09916
	1/8	12-09917
1/4	1/16	12-09921
	1/8	12-09923
	1/4	12-09924
3/8	1/8	12-09925
	1/4	12-09926
	3/8	12-09927
1/2	3/8	12-09928
	1/2	12-09929
5/8	1/2	12-09930



#### Branch Tee

Tube	Pipe	Part No.
3/8	1/4	12-09963

# Air Brake Fittings

# Air Brake Fittings - Short Nut Air Brake Fittings - Long Nut



## Union Elbow

Tube	Part No.
1/4	12-09994



## Male Elbow

Tube	Pipe	Part No.
1/8	1/8	12-09932
5/32	1/8	12-09931
1/4	1/8	12-09934
	1/4	12-09935
3/8	1/8	12-09936
	1/4	12-09937
	3/8	12-09938
1/2	3/8	12-09939
	1/2	12-09941
5/8	1/2	12-09942



## Union

Tube	Part No.
1/8	12-09950
5/32	12-09948
1/4	12-09951
3/8	12-09952
1/2	12-09953
5/8	12-09954



## Union Tee

Tube	Part No.
1/4	12-09984
3/8	12-09986
1/2	12-09988

## Air Brake Fittings - Long Nut

\*Use with SAE J844 type 3A & 3B nylon tubing by adding insert.



## Insert

Tube	Part No.
1/4	12-09804
3/8	12-09806
1/2	12-09808
5/8	12-09810
3/4	12-09812



## Sleeve

Tube	Part No.
1/4	12-16004
3/8	12-16006
1/2	12-16008
5/8	12-16010
3/4	12-16012



## Nut

Tube	Part No.
1/4	12-16104
3/8	12-16106
1/2	12-16108
5/8	12-16110

Air Brake Fittings

# Air Brake Fittings - Long Nut

# Air Brake Fittings

Air Brake Fittings



## Male Connector

Tube	Pipe	Part No.
1/4	1/8	12-16801
3/8	1/8	12-16805
	1/4	12-16806
	3/8	12-16807
1/2	3/8	12-16809
	1/2	12-16810



## Branch Tee

Tube	Pipe	Part No.
3/8	1/4	12-17203
1/2	3/8	12-17205



## Male Elbow

Tube	Pipe	Part No.
1/4	1/4	12-16902
3/8	1/8	12-16905
	1/4	12-16906
	3/8	12-16907
	1/2	12-16908
1/2	3/8	12-16910
	1/2	12-16911



## Male Elbow - 45°

Tube	Pipe	Part No.
3/8	1/4	12-17701



## Union

Tube	Part No.
1/4	12-16204
3/8	12-16206
1/2	12-16208
5/8	12-16210
3/4	12-16212



## Union Tee

Tube	Part No.
1/4	12-16404
3/8	12-16406



## Run Tee

Tube	Part No.
3/8	12-17103

# Air Brake Fittings

# Air Brake Fittings - Push In

Air Brake Fittings

## Air Brake Fittings - Push In

\*Use with SAE J844 type 3A & 3B nylon tubing.



### Male Connector

Tube	Pipe	Part No.
5/32	1/16	12-09916P
	1/8	12-09917P
1/4	1/8	12-09923P
	1/4	12-09924P
3/8	1/4	12-09926P
	3/8	12-09927P
1/2	3/8	12-09928P
	1/2	12-09929P



### Branch Tee

Tube	Pipe	Part No.
1/4	1/8	12-09961P
	1/4	12-09962P
3/8	1/4	12-09963P



### Union Tee

Tube	Part No.
1/4	12-09984P
3/8	12-09986P
1/2	12-09988P



### Male Elbow

Tube	Pipe	Part No.
5/32	1/8	12-09931P
	1/4	12-09934P
3/8	1/4	12-09935P
	3/8	12-09937P
1/2	3/8	12-09938P
	1/2	12-09939P
	1/2	12-09941P



### Male Elbow - 45°

Tube	Pipe	Part No.
3/8	1/4	12-17701P



### Union

Tube	Part No.
5/32	12-09948P
1/4	12-09951P
3/8	12-09952P
1/2	12-09953P



### Union Elbow

Tube	Part No.
1/4	12-09994P
3/8	12-09996P
1/2	12-09998P



# Air Brake Fittings - Brass Pipe

# Air Brake Fittings

Air Brake Fittings

## Air Brake Fittings - Brass Pipe



### Close Nipple

Pipe	Part No.
1/8	12-11202
1/4	12-11204
3/8	12-11206
1/2	12-11208
3/4	12-11212



### Long Nipple

Pipe	Length	Part No.
1/8	2	12-11302
1/4	1.5	12-11303
	2	12-11304
3/8	1.5	12-11305
	2	12-11306
1/2	2	12-11308



### Hex Nipple

Pipe	Pipe	Part No.
1/8	1/8	12-12202
1/4	1/8	12-12203
	1/4	12-12204
3/8	1/4	12-12205
	3/8	12-12206
1/2	3/8	12-12207
	1/2	12-12208



### Adapter

Pipe	Pipe	Part No.
1/4	1/8	12-12742
3/8	1/4	12-12764
1/2	3/8	12-12786



### Coupling

Pipe	Pipe	Part No.
1/8	1/8	12-10302
1/4	1/4	12-10304
3/8	3/8	12-10306
1/2	1/2	12-10308



### Reducer

Pipe	Pipe	Part No.
1/4	1/8	12-12601
3/8	1/4	12-12603
1/2	3/8	12-12604



### Female Elbow

Pipe	Pipe	Part No.
1/8	1/8	12-10002
1/4	1/4	12-10004
3/8	3/8	12-10006
1/2	1/2	12-10008

# Air Brake Fittings

# Air Brake Fittings - Brass Pipe

Air Brake Fittings



## Street Elbow

Pipe	Pipe	Part No.
1/8	1/8	12-11602
1/4	1/4	12-11604
3/8	3/8	12-11606
1/2	1/2	12-11608



## Street Elbow - 45°

Pipe	Pipe	Part No.
1/4	1/4	12-12404
3/8	3/8	12-12406
1/2	1/2	12-12408



## Female Tee

Pipe	Part No.
1/8	12-10102
1/4	12-10104
3/8	12-10106
1/2	12-10108



## Male Tee

Pipe	Pipe	Part No.
1/8	1/8	12-10202
1/4	1/4	12-10204
3/8	3/8	12-10206
1/2	1/2	12-10208



## Bushing

Pipe	Pipe	Part No.
1/4	1/8	12-11001
3/8	1/8	12-11002
	1/4	12-11003
1/2	1/4	12-11005
	3/8	12-11006
3/4	1/2	12-11008



## Pipe Cap

Pipe	Part No.
1/8	12-11102
1/4	12-11104
3/8	12-11106
1/2	12-11108



## Allen Head Plug

Pipe	Part No.
1/8	12-12002
1/4	12-12004
3/8	12-12006
1/2	12-12008
3/4	12-12012

# Air Brake Fittings - Brass Pipe

## Air Brake Fittings - Rubber Hose

# Air Brake Fittings

Air Brake Fittings

### Air Brake Fittings - Brass Pipe



#### Hex Plug

Pipe	Part No.
1/8	12-12102
1/4	12-12104
3/8	12-12106
1/2	12-12108
3/4	12-12112

### Air Brake Fittings - Rubber Hose



#### Air Hose

Hose	Length	Part No.
3/8	50 ft	12-38205
	250 ft	12-38225
1/2	50 ft	12-38405



#### Sleeve

Hose	Part No.
3/8	12-36808
1/2	12-36818



#### Body Only

Hose	Pipe	Part No.
3/8	3/8	12-36805



#### Nut w/o Spring

Hose	Part No.
3/8	12-36807



#### Male Connector w/o Spring

Hose	Pipe	Part No.
3/8	1/4	12-36801
	3/8	12-36802
	1/2	12-36803
1/2	3/8	12-36812
	1/2	12-36813



#### Nut w/ Spring

Hose	Part No.
3/8	12-37879



#### Male Connector w/ Spring

Hose	Pipe	Part No.
3/8	1/4	12-37801
	3/8	12-37802
	1/2	12-37803
1/2	3/8	12-37812
	1/2	12-37813

# Air Brake Fittings

# Air Brake Fittings - Rubber Hose Bulkhead Couplings Drain Valves

Air Brake Fittings

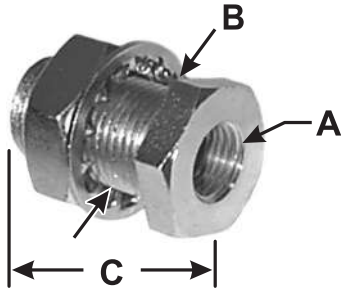
## Air Brake Fittings - Rubber Hose



### Union

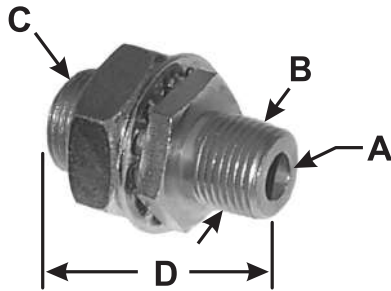
Hose	Part No.
3/8	12-37904
1/2	12-37914

## Bulkhead Couplings



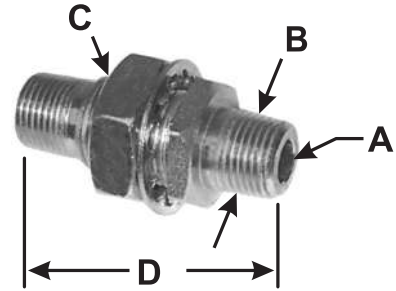
### Type 1

Dim. A	Dim. B	Dim. C	Dim. D	Part No.
1/4	3/4-16	1 1/4	—	12-40503
3/8	1-14	1 1/2	—	12-40505



### Type 2

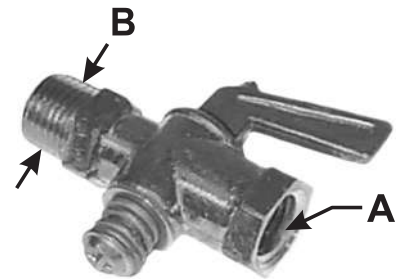
Dim. A	Dim. B	Dim. C	Dim. D	Part No.
1/4	1/2	3/4-16	2 1/8	12-40506
		1-14	1 11/16	12-40504
		2 1/8	12-40502	
3/8	1/2	1-14	2 1/8	12-40507



### Type 3

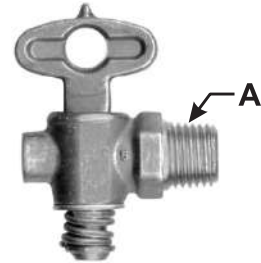
Dim. A	Dim. B	Dim. C	Dim. D	Part No.
1/4	1/2	1-14	2 15/16	12-40501

## Drain Valves



### Type 1

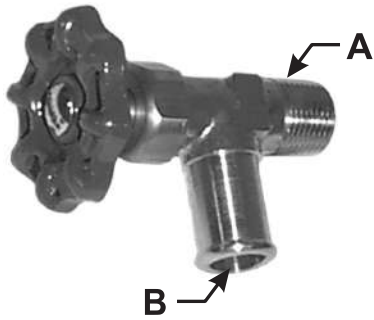
Dim. A	Dim. B	Part No.
1/4	1/4	12-40608



### Type 2

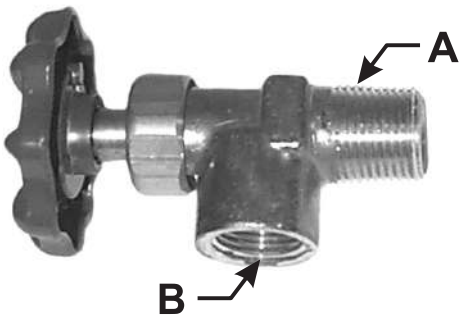
Dim. A	Dim. B	Part No.
1/4	—	12-40604
3/8	—	12-40606

**Shut Off Valves**



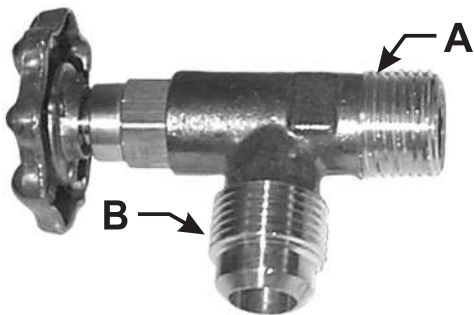
**Type 1**

Dim. A	Dim. B	Part No.
3/8	3/8	12-20100
	5/8	12-20101
1/2	5/8	12-20104
	3/4	12-20105



**Type 2**

Dim. A	Dim. B	Part No.
3/8	3/8	12-20110
1/2	1/2	12-20114



**Type 3**

Dim. A	Dim. B	Part No.
1/2	5/8	12-20124

# Air Brake Fittings

Notes

Numerical Listing

Part No.	Page No.
01-200	210
01-201	210
01-202	210
01-2056	211
01-2097	210
01-215	211
01-223	211
01-227	210
01-230	211
01-234	210
01-236	210
01-244	210
01-245	211
01-247	210
01-2506	212
01-263	212
01-264	211
01-269	211
01-271	211
01-294	213
01-300	213
01-301	214
01-303	214
01-305	218
01-310	213
01-313	213
01-314	219
01-318	219
01-320	219
01-322	215
01-323	216
01-330	215
01-340	217
01-347	215
01-3481	218
01-3482	218
01-350	215
01-353	215
01-357	218
01-358	215
01-360	218
01-361	217
01-363	215
01-369	215
01-3696	215
01-370	217
01-371	216
01-374	215
01-375	215
01-3751	216
01-378	215
01-379	215
01-380	218
01-384	216
01-385	217
01-3863	215

Part No.	Page No.
01-3864	215
01-390	220
01-400	220
01-413	222
01-417	220
01-424	221
01-4244	221
01-4245	221
01-433	221
01-434	221
01-437	222
01-440	220
01-447	220
01-448	222
01-451	222
01-462	224
01-472	224
01-473	224
01-477	224
01-478	225
01-482	226
01-488	225
01-489	226
01-490	226
01-4903	226
01-4908	226
01-491	226
01-492	226
01-497	227
01-5002	224
01-509	224
01-519	224
01-609	227
01-611	227
01-613	227
01-614	227
01-617	227
01-620	227
02-041	230
02-125	7, 8, 12, 228
02-132	228
02-1321	228
02-200	321
02-201	321
02-2011	322
02-203	320
02-204	319
02-206	319
02-210	319
02-2101	322
02-216	223
02-217	223
02-218	322
02-219	223
02-220HD	73, 319
02-2201HD	73, 322

Part No.	Page No.
02-221	223
02-224	320
02-225	320
02-230	320
02-231	320
02-235	223
02-236	319
02-240	322
02-241	320
02-242	320
02-244	319
02-246	320
02-2461	322
02-247	139, 323
02-2481	141, 145, 323
02-256	319
02-257	319
02-258	320
02-300	321
02-304	321
02-306	323
02-309	323
02-312	224, 321
02-313	321
02-315	321
02-317	321
02-318	321
02-329	324
02-362	47, 49, 227
02-400	228
02-473	228
02-474	228
02-507HD	37, 39, 41, 43, 45, 73, 75, 77, 79, 129, 131, 133, 135, 137, 151, 229
02-515	139, 141, 145, 229
02-517	123, 127, 230
02-520	83, 87, 91, 93, 229
02-520-1	229
02-520-2	229
02-521	87, 91, 229
02-521-1	229
02-521-2	229
02-522	25, 26, 229
02-540	229
03-114	37, 39, 41, 43, 45, 151, 330
03-1141	45, 331
03-1142	45, 331
03-115	5, 7, 8, 9, 10, 11, 12, 13, 14, 330
03-1151	6, 331
03-1152	6, 331
03-1171	331
03-1172	331
03-119	27, 330
03-130	17, 35, 135, 137, 139, 141, 145, 331
03-132	17, 35, 135, 137, 139, 141, 145, 331
03-143	147, 274, 308

# Numerical Listing

03-144 thru 04-522632

Numerical Listing

Part No.	Page No.	Part No.	Page No.	Part No.	Page No.
03-144	149, 274, 309	04-310	329	04-480841	232, 269, 277
03-1450	25, 249, 291	04-314	330	04-480842	232, 269, 277
03-1451HD	87, 264, 265, 303	04-315	329	04-480861	232, 269, 277
03-146	332	04-319	330	04-480862	232, 269, 277
03-147	332	04-321	318	04-480921	232, 269, 277
03-148	332	04-322	328	04-480922	232, 269, 277
03-151	332	04-324	318	04-480951	232, 269, 277
03-160	332	04-325	328	04-480952	232, 269, 277
03-161	332	04-326	329	04-481031	232, 269, 277
03-168	332	04-327	316	04-481032	232, 269, 277
03-169	332	04-328	328	04-481041	232, 269, 277
03-170	332	04-329	328	04-481042	232, 269, 277
03-181	332	04-331	327	04-481051	232, 269, 277
03-182	332	04-334	316	04-481052	232, 269, 277
03-184	332	04-347	328	04-481111	232, 269, 277
03-185	332	04-350	327	04-481112	232, 269, 277
03-200	325	04-351	327	04-481121	233, 269, 277
03-201	325	04-354	327	04-481122	233, 269, 277
03-206	325	04-356	329	04-481151	233, 270, 277
03-207	324	04-357	317	04-481152	233, 270, 277
03-208	324	04-358	328	04-481171	233, 270, 277
03-2081	327	04-359	317	04-481172	233, 270, 277
03-2082	327	04-360	317	04-481211	233, 270, 278
03-209	326	04-361	328	04-481212	233, 270, 278
03-2091	326	04-362	328	04-481251	233, 270, 278
03-212	325	04-363	330	04-481252	233, 270, 278
03-213	326	04-376	316	04-481301	233, 270, 278
03-214	325	04-260932	232, 252	04-481302	233, 270, 278
03-2151	327	04-390861	232, 248, 260, 276	04-481311	233, 270, 278
03-2152	327	04-390862	232, 248, 260, 276	04-481312	233, 270, 278
03-23528	250	04-391051	232, 248, 260, 276	04-481331	233, 270, 278
03-260	331	04-391052	232, 248, 260, 276	04-481332	233, 270, 278
03-270A	73, 75, 77, 79, 331	04-391061	232, 248, 260, 276	04-481351	233, 270, 278
03-271A	15, 331	04-391062	232, 248, 260, 276	04-481352	233, 270, 278
03-272	331	04-391071	232, 248, 260, 276	04-481421	233, 270, 278
04-160931	232, 247	04-391072	232, 248, 260, 276	04-481422	233, 270, 278
04-160932	232, 247	04-391121	233, 248, 260, 276	04-481461	233, 270, 278
04-161111	232, 247	04-391122	233, 248, 260, 276	04-481462	233, 270, 278
04-161112	232, 247	04-391161	233, 248, 260, 276	04-481471	233, 270, 278
04-251101	232, 249	04-391162	233, 248, 260, 276	04-481472	233, 270, 278
04-251102	232, 249	04-391251	233, 248, 260, 276	04-481531	233, 270, 278
04-260851	232, 252	04-391252	233, 248, 260, 276	04-481532	233, 270, 278
04-260852	232, 252	04-391351	233, 248, 260, 276	04-481561	233, 270, 278
04-260871	232, 252	04-391352	233, 248, 260, 276	04-481562	233, 270, 278
04-260872	232, 252	04-391441	233, 248, 260, 276	04-481571	233, 270, 278
04-260931	232, 252	04-391442	233, 248, 260, 276	04-481572	233, 270, 278
04-260951	232, 252	04-391461	233, 248, 260, 276	04-481601	234, 270, 278
04-260952	232, 252	04-391462	233, 248, 260, 276	04-481602	234, 270, 278
04-300	316	04-391521	233, 248, 260, 276	04-500871	232, 274
04-301	328	04-391522	233, 248, 260, 276	04-500872	232, 274
04-302	328	04-391571	233, 248, 260, 276	04-522041	234, 245
04-303	328	04-391572	233, 248, 260, 276	04-522042	234, 245
04-304	328	04-480771	232, 269, 277	04-522351	236, 245
04-306	317	04-480772	232, 269, 277	04-522352	236, 245
04-307	327	04-480821	232, 269, 277	04-522631	236, 245
04-308	327	04-480822	232, 269, 277	04-522632	236, 245



Part No.	Page No.
04-542131	234, 242
04-542132	234, 242
04-542211	235, 242
04-542212	235, 242
04-542321	235, 242
04-542322	235, 242
04-552351	236, 258, 266
04-552352	236, 258, 266
04-561741	234, 259, 267
04-561742	234, 259, 267
04-562041	234, 259, 267
04-562042	234, 259, 267
04-562141	235, 259, 267
04-562142	235, 259, 267
04-562241	235, 259, 267
04-562242	235, 259, 267
04-562301	235, 259
04-562302	235, 259
04-562351	236, 259, 267
04-562352	236, 259, 267
04-562411	236, 259, 267
04-562412	236, 259, 267
04-562511	236, 259, 267
04-562512	236, 259, 267
04-562631	236, 259, 267
04-562632	236, 259, 267
04-562701	237, 259
04-562702	237, 259
04-570741	232, 255
04-570742	232, 255
04-571841	234, 255, 271
04-571842	234, 255, 271
04-571861	234, 255
04-571862	234, 255
04-572041	234, 255, 263, 271
04-572042	234, 255, 263, 271
04-572111	234, 255, 263, 271
04-572112	234, 255, 263, 271
04-572241	235, 255, 271
04-572242	235, 255, 271
04-572351	236, 255, 271
04-572352	236, 255, 271
04-572441	236, 255, 271
04-572442	236, 255, 271
04-572651	237, 255
04-572652	237, 255
04-582041	234, 254, 275
04-582042	234, 254, 275
04-582271	235, 254, 275
04-582272	235, 254, 275
04-582351	236, 254, 275
04-582352	236, 254, 275
04-590741	232, 256
04-590742	232, 256
04-591741	234, 256
04-591742	234, 256

Part No.	Page No.
04-592041	234, 256
04-592042	234, 256
04-592301	235, 256
04-592302	235, 256
04-592351	236, 256
04-592352	236, 256
04-592411	236, 256
04-592412	236, 256
04-592631	236, 256
04-592632	236, 256
04-592651	237, 256
04-592652	237, 256
04-601741	234, 257
04-601742	234, 257
04-602041	234, 257
04-602042	234, 257
04-602141	235, 257
04-602142	235, 257
04-602241	235, 257
04-602242	235, 257
04-602301	235, 257
04-602302	235, 257
04-602351	236, 257
04-602352	236, 257
04-602401	236, 257
04-602402	236, 257
04-602411	236, 257
04-602412	236, 257
04-602601	236, 257
04-602602	236, 257
04-602651	237, 257
04-602652	237, 257
04-602701	237, 257
04-602702	237, 257
04-602911	237, 257
04-602912	237, 257
04-632131	234, 240
04-632132	234, 240
04-632231	235, 240
04-632232	235, 240
04-632321	235, 240
04-632322	235, 240
04-632401	236, 240
04-632402	236, 240
04-642131	234, 241
04-642132	234, 241
04-642211	235, 241
04-642212	235, 241
04-642321	235, 241
04-642322	235, 241
04-672121	234, 243
04-672122	234, 243
04-672231	235, 243
04-672232	235, 243
04-672341	235, 243
04-672342	235, 243

Part No.	Page No.
04-672651	237, 243
04-672652	237, 243
04-741941	234, 261
04-741942	234, 261
04-742361	236, 261
04-742362	236, 261
04-762351	236, 250
04-762352	236, 250
04-772351	236, 251
04-772352	236, 251
04-811621	234, 262
04-811622	234, 262
04-812121	234, 262
04-812122	234, 262
04-812401	236, 262
04-812402	236, 262
04-832121	234, 244
04-832122	234, 244
04-851121	232, 264
04-851122	232, 264
04-861121	233, 268
04-861122	233, 268
04-871121	233, 265
04-871122	233, 265
04-891731	234, 272
04-891732	234, 272
04-892041	234, 272
04-892042	234, 272
04-892421	236, 272
04-892422	236, 272
04-902341	235, 253
04-902342	235, 253
04-931731	234, 273
04-931732	234, 273
04-932041	234, 273
04-932042	234, 273
04-932421	236, 273
04-932422	236, 273
04-952331	235, 246
04-952332	235, 246
05-012	342
05-016	342
05-020	342
05-024	342
05-030	342
05-030L	342
05-036	342
05-116	341
05-120	341
05-1212	339
05-1215	340
05-124	341
05-1258	339
05-126	342
05-129	342
05-130	341

# Numerical Listing

05-131 thru 08-109830

Numerical Listing

Part No.	Page No.
05-131	342
05-132	342
05-133	342
05-134	342
05-135	342
05-136	341
05-148	342
05-149	342
05-162	342
05-164	342
05-171	343
05-172	343
05-177	343
05-201	19, 47, 53, 57, 59, 83, 87, 91, 333
05-201EQ	333
05-203	39, 43, 75, 83, 87, 91, 129, 333
05-203EQ	333
05-210	340
05-214	20, 21, 22, 32, 333
05-215	333
05-216	334
05-217	334
05-220	334
05-221	334
05-224	334
05-225	334
05-226	47, 53, 57, 59, 334
05-227	47, 53, 57, 59, 334
05-230	334
05-231	334
05-232	20, 21, 32, 334
05-233	20, 21, 32, 334
05-237	31, 33, 83, 87, 91, 93, 97, 99, 101, 103, 105, 107, 109, 111, 115, 119, 123, 127, 147, 149, 333
05-237EQ	333
05-238	37, 41, 43, 67, 71, 83, 87, 91, 93, 131, 133, 135, 137, 139, 141, 145, 147, 149, 333
05-238EQ	333
05-240	15, 73, 77, 79, 333
05-240EQ	333
05-241	15, 73, 77, 79, 333
05-250	5, 6, 7, 8, 9, 10, 11, 12, 335
05-251	5, 6, 9, 11, 13, 14, 17, 335
05-254	29, 333
05-256	334
05-257	334
05-260	39, 43, 75, 83, 87, 91, 129, 333
05-261	53, 57, 59, 83, 87, 91, 152, 333
05-262	37, 41, 43, 67, 71, 83, 87, 91, 93, 131, 133, 135, 137, 139, 141, 145, 147, 149, 151, 333
05-263	83, 87, 91, 93, 97, 99, 101, 103, 105, 107, 109, 111, 115, 119, 123, 127, 147, 149, 153, 333
05-360	39, 43, 45, 75, 83, 87, 91, 129, 338

Part No.	Page No.
05-361	19, 23, 24, 47, 49, 53, 57, 59, 63, 83, 87, 91, 152, 338
05-362	25, 26, 27, 35, 37, 41, 43, 45, 67, 71, 83, 87, 91, 93, 131, 133, 135, 137, 139, 141, 145, 147, 149, 151, 338
05-3621	338
05-3622	338
05-363	25, 26, 28, 31, 33, 83, 87, 91, 93, 95, 97, 99, 101, 103, 105, 107, 109, 111, 115, 119, 123, 127, 147, 149, 153, 338
05-3631	338
05-3632	338
05-370	20, 21, 22, 32, 338
05-372	29, 338
05-460	39, 43, 45, 75, 83, 87, 91, 129, 335
05-461	19, 23, 24, 47, 49, 53, 57, 59, 63, 83, 87, 91, 152, 335
05-462	25, 26, 27, 35, 37, 41, 43, 45, 67, 71, 83, 87, 91, 93, 131, 133, 135, 137, 139, 141, 145, 147, 149, 151, 335
05-463	25, 26, 28, 31, 33, 83, 87, 91, 93, 95, 97, 99, 101, 103, 105, 107, 109, 111, 115, 119, 123, 127, 147, 149, 153, 335
05-552	5, 6, 9, 11, 13, 14, 16, 17, 336
05-560	39, 43, 45, 75, 83, 87, 91, 129, 336
05-561	19, 23, 24, 47, 49, 53, 57, 59, 63, 83, 87, 91, 152, 336
05-562	25, 26, 27, 35, 37, 41, 43, 45, 67, 71, 83, 87, 91, 93, 131, 133, 135, 137, 139, 141, 145, 147, 149, 151, 336
05-563	25, 26, 28, 31, 33, 83, 87, 91, 93, 95, 97, 99, 101, 103, 105, 107, 109, 111, 115, 119, 123, 127, 147, 149, 153, 336
05-564	15, 73, 77, 79, 336
05-565	15, 73, 77, 79, 336
05-570	20, 21, 22, 32, 336
05-572	29, 336
05-5741	339
05-5751	339
05-578	339
05-579	339
05-5815	340
05-585	339
05-5858	339
05-586	340
05-587	340
05-588	340
05-589	340
05-590	339
05-651	338
05-655	337
05-658	337
05-659	337
05-660	39, 43, 45, 75, 83, 87, 91, 129, 337

Part No.	Page No.
05-661	337
05-662	25, 26, 27, 35, 37, 41, 43, 45, 67, 71, 83, 87, 91, 93, 131, 133, 135, 137, 139, 141, 145, 147, 149, 151, 337
05-663	337
05-664	73, 77, 79, 337
05-668	337
05-760	39, 43, 45, 75, 83, 87, 91, 129, 337
05-761	19, 23, 24, 47, 49, 53, 57, 59, 63, 83, 87, 91, 152, 337
05-762	25, 26, 27, 35, 37, 41, 43, 45, 67, 71, 83, 87, 91, 93, 131, 133, 135, 137, 139, 141, 145, 147, 149, 151, 337
05-763	25, 26, 28, 31, 33, 83, 87, 91, 93, 95, 97, 99, 101, 103, 105, 107, 109, 111, 115, 119, 123, 127, 147, 149, 153, 337
05-764	73, 77, 79, 337
05-770	20, 21, 22, 32, 337
05-772	29, 337
08-104400	23, 183, 248
08-104430	24, 183, 248
08-104700	13, 14, 175, 209, 243
08-104708	175
08-104900	6, 172, 209, 242
08-104999	172
08-105600	18, 179
08-105700	5, 9, 11, 171, 240, 241
08-105900	16, 177, 245
08-107400	10, 174, 240
08-107500	7, 8, 12, 173, 240
08-107700	15, 176, 244
08-108600	154, 207
08-108800	189, 190, 194, 195, 200, 201, 202
08-108804	189, 190, 194, 195, 200, 201, 202
08-108830	37, 39, 41, 43, 45, 83, 87, 91, 93, 109, 115, 119, 123, 127, 129, 131, 133, 135, 137, 139, 141, 145, 147, 149, 189, 190, 194, 195, 200, 201, 202, 209, 254, 255, 256, 257, 258, 259, 264, 265, 266, 267, 268, 269, 271, 272, 273, 274
08-108834	189, 190, 194, 195, 200, 201, 202
08-108860	189, 190, 194, 195, 200, 201, 202
08-108864	189, 190, 194, 195, 200, 201, 202
08-109100	193
08-109104	193
08-109130	73, 75, 77, 79, 193, 209, 262, 263
08-109134	193
08-109160	193
08-109164	193
08-109300	17, 178, 246
08-109560	151, 204, 275
08-109561	204
08-109600	152, 205, 276
08-109800	111, 153, 198, 206, 269, 277
08-109810	198, 206
08-109830	111, 153, 198, 206, 269, 277

Part No.	Page No.
08-109840	198, 206
08-110700	32, 188, 209
08-110702	32, 188, 209
08-111100	29, 186, 209
08-111102	29, 186, 209
08-111300	20, 21, 181, 209, 247
08-111630	97, 99, 101, 103, 105, 199, 209, 269
08-111635	199
08-114700	22, 182
08-114900	49, 53, 57, 63, 67, 71, 192, 209, 260, 261
08-114920	47, 49, 192, 209, 260
08-115015	150, 203
08-115700	59, 191, 260
08-115703	59, 191
08-115708	191
08-116000	25, 26, 27, 28, 31, 33, 35, 184, 185, 187, 249, 250, 251, 252, 253,
08-116600	19, 180, 209
08-126130	95, 107, 197, 269
08-130100	129, 306
08-130101	129, 271, 306
08-130105	129, 271, 306
08-130122	75, 263, 300, 306
08-130150	306
08-130151	271, 306
08-130155	271, 306
08-130172	263, 300, 306
08-130300	93, 302
08-130301	93, 268, 302
08-130310	83, 302
08-130311	83, 264, 265, 302
08-130350	302
08-130351	268, 302
08-130360	302
08-130361	264, 265, 302
08-130401	285, 304
08-130402	285, 304
08-130403	16, 91, 245, 266, 267, 285, 304
08-130600	131, 135, 286, 307
08-130601	17, 131, 135, 246, 272, 286, 307
08-130605	17, 131, 135, 246, 272, 286, 307
08-130610	141, 145, 295, 307
08-130611	35, 141, 145, 253, 272, 273, 295, 307
08-130615	35, 141, 145, 253, 272, 273, 295, 307
08-130620	133, 137, 139, 286, 307
08-130621	17, 133, 137, 139, 246, 272, 286, 307
08-130625	17, 133, 137, 139, 246, 272, 286, 307
08-130650	286, 307
08-130651	246, 272, 286, 307
08-130655	246, 272, 286, 307

Part No.	Page No.
08-130660	295, 307
08-130661	253, 272, 273, 295, 307
08-130665	253, 272, 273, 295, 307
08-130670	286, 307
08-130671	246, 272, 286, 307
08-130675	246, 272, 286, 307
08-131800	31, 33, 97, 99, 101, 103, 105, 115, 119, 123, 127, 252, 269, 294, 305, 313
08-131810	28, 31, 33, 95, 97, 99, 101, 103, 105, 107, 109, 111, 115, 119, 123, 127, 153, 252, 269, 277, 294, 305, 313
08-131820	305, 313
08-131850	252, 269, 294, 305, 313
08-131860	252, 269, 277, 294, 305, 313
08-131870	305, 313
08-132100	27, 39, 251, 255, 292, 296, 311
08-132110	27, 37, 39, 41, 43, 151, 251, 254, 255, 256, 257, 275, 292, 296, 311
08-132150	251, 255, 292, 296, 311
08-132160	251, 254, 255, 256, 257, 275, 292, 296, 311
08-132200	154, 314
08-132250	314
08-132300	5, 7, 8, 9, 10, 11, 13, 14, 240, 241, 243, 280, 283
08-132310	5, 7, 8, 9, 10, 11, 13, 14, 240, 241, 243, 280, 283
08-132350	240, 241, 243, 280, 283
08-132360	240, 241, 243, 280, 283
08-132800	45, 258, 259, 297
08-132801	45, 258, 259, 297
08-132802	45, 258, 259, 297
08-132803	45, 258, 259, 297
08-132850	258, 259, 297
08-132900	6, 242, 281
08-132903	6, 242, 281
08-132950	242, 281
08-133110	15, 73, 77, 79, 244, 262, 284, 301
08-133111	262, 301
08-133160	244, 262, 284, 301
08-133161	262, 301
08-134100	8, 12, 240, 282
08-134110	282
08-134150	240, 282
08-134160	282
08-135101	22, 23, 24, 47, 49, 53, 57, 63, 248, 260, 290, 298, 312
08-135111	22, 23, 24, 47, 49, 53, 57, 59, 63, 152, 248, 260, 276, 290, 298, 312
08-135151	248, 260, 290, 298, 312
08-135161	248, 260, 276, 290, 298, 312
08-136100	29, 293
08-136150	293
08-136400	67, 71, 261, 299
08-136406	67, 71
08-136450	261, 299

Part No.	Page No.
08-136500	18, 287
08-137500	20, 21, 247, 289
08-137550	247, 289
08-138000	150, 310
08-138100	19, 288
08-138150	288
10-7SQ	227
10-8SQ	227
10-9SQ	227
10-10SQ	227
12-08002	346
12-08003	346
12-08004	346
12-08004E	346
12-08004S	346
12-08006	346
12-08006E	346
12-08006S	346
12-08008	346
12-08008E	346
12-08008S	346
12-08010	346
12-08012	346
12-08106	346
12-09802	
12-09804	346, 347
12-09806	346, 347
12-09808	346, 347
12-09810	346, 347
12-09812	346, 347
12-09900	346
12-09902	346
12-09903	346
12-09904	346
12-09905	346
12-09906	346
12-09908	346
12-09910	346
12-09911	346
12-09912	346
12-09913	346
12-09914	346
12-09915	346
12-09916	346
12-09916P	349
12-09917	346
12-09917P	349
12-09920	346
12-09921	346
12-09922	346
12-09923	346
12-09923P	349
12-09924	346
12-09924P	349
12-09925	346
12-09926	346

# Numerical Listing

12-09926P thru 12-37802

Numerical Listing

Part No.	Page No.	Part No.	Page No.	Part No.	Page No.
12-09926P	349	12-10108	351	12-12604	350
12-09927	346	12-10202	351	12-12742	350
12-09927P	349	12-10204	351	12-12764	350
12-09928	346	12-10206	351	12-12786	350
12-09928P	349	12-10208	351	12-16004	347
12-09929	346	12-10302	350	12-16006	347
12-09929P	349	12-10304	350	12-16008	347
12-09930	346	12-10306	350	12-16010	347
12-09931	347	12-10308	350	12-16012	347
12-09931P	349	12-11001	351	12-16104	347
12-09932	347	12-11002	351	12-16106	347
12-09934	347	12-11003	351	12-16108	347
12-09934P	349	12-11005	351	12-16110	347
12-09935	347	12-11006	351	12-16204	348
12-09935P	349	12-11008	351	12-16206	348
12-09936	347	12-11102	351	12-16208	348
12-09937	347	12-11104	351	12-16210	348
12-09937P	349	12-11106	351	12-16212	348
12-09938	347	12-11108	351	12-16404	348
12-09938P	349	12-11202	350	12-16406	348
12-09939	347	12-11204	350	12-16801	348
12-09939P	349	12-11206	350	12-16805	348
12-09941	347	12-11208	350	12-16806	348
12-09941P	349	12-11212	350	12-16807	348
12-09942	347	12-11302	350	12-16809	348
12-09948	347	12-11303	350	12-16810	348
12-09948P	349	12-11304	350	12-16902	348
12-09950	347	12-11305	350	12-16905	348
12-09951	347	12-11306	350	12-16906	348
12-09951P	349	12-11308	350	12-16907	348
12-09952	347	12-11602	351	12-16908	348
12-09952P	349	12-11604	351	12-16910	348
12-09953	347	12-11606	351	12-16911	348
12-09953P	349	12-11608	351	12-17103	348
12-09954	347	12-12002	351	12-17203	348
12-09961P	349	12-12004	351	12-17205	348
12-09962P	349	12-12006	351	12-17701	348
12-09963	346	12-12008	351	12-17701P	349
12-09963P	349	12-12012	351	12-20100	354
12-09984	347	12-12102	352	12-20101	354
12-09984P	349	12-12104	352	12-20104	354
12-09986	347	12-12106	352	12-20105	354
12-09986P	349	12-12108	352	12-20110	354
12-09988	347	12-12112	352	12-20114	354
12-09988P	349	12-12202	350	12-20124	354
12-09994	347	12-12203	350	12-36801	352
12-09994P	349	12-12204	350	12-36802	352
12-09996P	349	12-12205	350	12-36803	352
12-09998P	349	12-12206	350	12-36805	352
12-10002	350	12-12207	350	12-36807	352
12-10004	350	12-12208	350	12-36808	352
12-10006	350	12-12404	351	12-36812	352
12-10008	350	12-12406	351	12-36813	352
12-10102	351	12-12408	351	12-36818	352
12-10104	351	12-12601	350	12-37801	352
12-10106	351	12-12603	350	12-37802	352

Numerical Listing

Part No.	Page No.
12-37803	352
12-37812	352
12-37813	352
12-37879	352
12-37904	353
12-37914	353
12-38001	344
12-38016	343
12-38018	343
12-38020	343
12-38022	343
12-38024	343
12-38026	343
12-38028	343
12-38030	343
12-38032	343
12-38034	343
12-38036	343
12-38038	343
12-38040	343
12-38042	343
12-38044	343
12-38046	343
12-38048	343
12-38101	344
12-38116	344
12-38118	344
12-38120	344
12-38122	344
12-38124	344
12-38126	344
12-38128	344
12-38130	344
12-38132	344
12-38134	344
12-38136	344
12-38138	344
12-38140	344
12-38142	344
12-38144	344
12-38146	344
12-38148	344
12-38160	344
12-38205	352
12-38225	352
12-38226	344
12-38234	344
12-38240	344
12-38252	344
12-38260	344
12-38272	344
12-38318	343
12-38320	343
12-38322	343
12-38324	343
12-38326	343

Part No.	Page No.
12-38328	343
12-38330	343
12-38332	343
12-38334	343
12-38336	343
12-38338	343
12-38340	343
12-38342	343
12-38344	343
12-38346	343
12-38348	343
12-38354	343
12-38360	343
12-38372	343
12-38405	352
12-40501	353
12-40502	353
12-40503	353
12-40504	353
12-40505	353
12-40506	353
12-40507	353
12-40604	353
12-40606	353
12-40608	353
1308E	20, 158
1308E00	20, 21, 209, 247
1308Q	29, 160, 186
1308Q00	29, 209
1308EBG	209
1308Q02	29, 209
1308T	32, 188
1308T00	32, 209
1308T02	32, 209
1443ES	21, 159, 181
1477BPW	150, 165, 203
20E1308E	20, 166
20E1443ES	21, 167
20E4515Q	37, 39, 41, 93, 129, 131, 133, 135, 137, 139, 141, 169
20E4515X	73, 75, 77, 79, 169
20E4702QP	31, 167
20E4707QP	43, 45, 81, 85, 89, 143, 147, 149, 169
20E4709E2	65, 69, 169
20M1308E	20, 166
20M1308Q	29, 167
20M1443ES	21, 167
20M4515Q	37, 39, 41, 93, 129, 131, 133, 135, 137, 139, 141, 169
20M4515X	73, 75, 77, 79, 169
20M4591FT	7, 8, 10, 12, 166
20M4591PQ	13, 14, 166
20M4692FC	5, 6, 9, 11, 166
20M4702QP	31, 167
20M4707QP	43, 45, 81, 85, 89, 143, 147, 149, 169

Part No.	Page No.
20M4709E2	65, 69, 169
20M4715QP	97, 99, 101, 103, 105, 168
20M4720QP	97, 99, 101, 103, 105, 168
20M6024SL	18, 166
20-9SQ	227
21CV4707QP	43, 45, 81, 85, 89, 113, 117, 121, 125, 143, 147, 149, 169
21CV4709E2	51, 55, 61, 65, 69, 169
21CV4711QP	81, 85, 89, 113, 117, 121, 127, 143, 170
21CV4715QP	97, 99, 101, 103, 105, 125, 168
21CV4719E2	47, 49, 167
21CV4720QP	97, 99, 101, 103, 105, 168
21CV4725E2	47, 49, 51, 55, 61, 168
21CV4726E2	51, 55, 61, 65, 69, 170
21P1308E	20, 166
21P1308Q	29, 167
21P1308T	32, 167
21P1443ES	21, 167
21P4515Q	37, 39, 41, 93, 129, 131, 133, 135, 137, 139, 141, 169
21P4515X	73, 75, 77, 79, 169
21P4591FT	7, 8, 10, 12, 166
21P4591PQ	13, 14, 166
21P4670Q	17, 166
21P4692FC	5, 6, 9, 11, 166
21P4702QP	31, 167
21P4707QP	43, 45, 81, 85, 89, 113, 117, 121, 125, 143, 147, 149, 169
21P4709E2	51, 55, 61, 65, 69, 169
21P4710QP	25, 26, 33, 35, 167
21P4711QP	81, 85, 89, 113, 117, 121, 125, 143, 170
21P4715QP	97, 99, 101, 103, 105, 125, 168
21P4718QP	109, 121, 125, 169
21P4719E2	47, 49, 167
21P4720QP	97, 99, 101, 103, 105, 168
21P4725E2	47, 49, 51, 55, 61, 168
21P4726E2	51, 55, 61, 65, 69, 170
21P4729E2	22, 167
23CV4707QP	43, 45, 81, 85, 89, 113, 117, 121, 125, 143, 147, 149, 169
23CV4709E2	51, 55, 61, 65, 69, 169
23CV4711QP	81, 85, 89, 113, 117, 121, 127, 143, 170
23CV4715QP	97, 99, 101, 103, 105, 125, 168
23CV4719E2	47, 49, 167
23CV4720QP	97, 99, 101, 103, 105, 168
23CV4725E2	47, 49, 51, 55, 61, 168
23CV4726E2	51, 55, 61, 65, 69, 170
23DP1443ES	21, 167
23DP1477BPW	150, 170
23DP4515Q	37, 39, 41, 93, 129, 131, 133, 135, 137, 139, 141, 169
23DP4702QP	31, 167
23DP4707QP	43, 45, 81, 85, 89, 113, 117, 121, 125, 143, 147, 149, 169
23DP4709E2	51, 55, 61, 65, 69, 169



# Numerical Listing

# 23DP4710QP thru 4720QP

Numerical Listing

Part No.	Page No.
23DP4710QP	25, 26, 33, 35, 167
23DP4711QP	81, 85, 89, 113, 117, 121, 127, 143, 170
23DP4715QP	97, 99, 101, 103, 105, 125, 168
23DP4719E2	47, 49, 167
23DP4720QP	97, 99, 101, 103, 105, 168
23DP4725E2	47, 49, 51, 55, 61, 168
23DP4726E2	51, 55, 61, 65, 69, 170
23DS1443ES	21, 167
23DS4515Q	37, 39, 41, 93, 129, 131, 133, 135, 137, 139, 141, 169
23DS4702QP	31, 167
23DS4707QP	43, 45, 81, 85, 89, 113, 117, 121, 125, 143, 147, 149, 169
23DS4709E2	51, 55, 61, 65, 69, 169
23DS4710QP	25, 26, 33, 35, 167
23DS4711QP	81, 85, 89, 113, 117, 121, 127, 143, 170
23DS4715QP	97, 99, 101, 103, 105, 125, 168
23DS4719E2	47, 49, 167
23DS4720QP	97, 99, 101, 103, 105, 168
23DS4725E2	47, 49, 51, 55, 61, 168
23DS4726E2	51, 55, 61, 55, 69, 170
23E4515Q	37, 39, 41, 93, 129, 131, 133, 135, 137, 139, 141, 169
23E4515X	73, 75, 77, 79, 169
23E4707QP	43, 45, 81, 85, 89, 113, 117, 121, 125, 143, 147, 149, 169
23E4709E2	51, 55, 61, 65, 69, 169
23F4515Q	37, 39, 41, 93, 129, 131, 133, 135, 137, 139, 141, 169
23F4707QP	43, 45, 81, 85, 89, 113, 117, 121, 125, 143, 147, 149, 169
23M1308E	20, 166
23M1308Q	29, 167
23M1443ES	21, 167
23M4515Q	37, 39, 41, 93, 129, 131, 133, 135, 137, 139, 141, 169
23M4515X	73, 75, 77, 79, 169
23M4536FC	5, 6, 9, 11, 166
23M4536FT	7, 8, 10, 12, 166
23M4591FT	7, 8, 10, 12, 166
23M4591PQ	13, 14, 166
23M4692FC	5, 6, 9, 11, 166
23M4700PQ	13, 14, 166
23M4702QP	31, 167
23M4703QP	28, 31, 167
23M4707QP	43, 45, 81, 85, 89, 113, 117, 121, 125, 143, 147, 149, 169
23M4709E2	51, 55, 61, 65, 69, 169
23M4710QP	25, 26, 33, 35, 167
23M4711QP	81, 85, 89, 113, 117, 121, 127, 143, 170
23M4715QP	97, 99, 101, 103, 105, 125, 168
23M4717E2	24, 167

Part No.	Page No.
23M4718QP	109, 121, 125, 169
23M4719E2	47, 49, 167
23M4720QP	97, 99, 101, 103, 105, 168
23M4725E2	47, 49, 51, 55, 61, 168
23M4726E2	51, 55, 61, 65, 69, 170
23M4729E2	22, 167
23P4515Q	37, 39, 41, 93, 129, 131, 133, 135, 137, 139, 141, 169
23P4515X	73, 75, 77, 79, 169
23P4551Q	131, 133, 135, 137, 139, 141, 170
23P4551XL	79, 170
23P4551XR	79, 170
23P4591PQ	13, 14, 166
23P4649F	15, 166
23P4661FC	6, 166
23P4661PQ	13, 14, 166
23P4670Q	17, 166
23P4692FC	5, 6, 9, 11, 166
23P4704QP	31, 167
23P4707QP	43, 45, 81, 85, 89, 113, 117, 121, 125, 143, 147, 149, 169
23P4709E2	51, 55, 61, 65, 69, 169
23P4711QP	113, 117, 121, 127, 170
23P4726E2	170
23S4515Q	169
23S4515X	73, 75, 77, 79, 169
23S4707QP	43, 45, 81, 85, 89, 113, 117, 121, 125, 143, 147, 149, 169
23S4709E2	51, 55, 61, 65, 69, 169
23SM4515PC	111, 169
2424CE	341
2430CE	341
25P4707QP	113, 117, 121, 125, 169
26T4515PC	111, 169
26T4707QP	113, 117, 121, 125, 169
26T4715CP	95, 168
26T4715QP	97, 99, 101, 103, 105, 125, 168
26T4720QP	97, 99, 101, 103, 105, 168
26T4728CP	107, 170
3030CE	341
3030CE18	341
3030CE-INT	341
3030CEW	341
3030CLE	341
3030CLE-INT	341
3030CLEW	341
3030PEK	341
3030PLEK	341
3036CE	341
334-166	224
3636CE	341
431101	209
4311EBG	209
4471BD-MBS	153
4515ED-KVT	111

Part No.	Page No.
4515ED-MBS	111
4515PC	111, 164, 198
4515Q	37, 93, 133, 137, 139, 141, 161, 163, 164, 189, 195, 200
4515Q30	41, 43, 45, 83, 87, 91, 93, 109, 115, 119, 123, 127, 129, 131, 133, 135, 137, 139, 141, 145, 147, 149, 209, 254, 255, 256, 257, 258, 259, 264, 265, 266, 267, 268, 269, 271, 272, 273, 274
4515X	79, 162, 193
4515X31	73, 75, 77, 79, 209, 262, 263
4515X3BG	209
4524MQ30	97, 99, 101, 103, 105, 209, 269
4536FC	5, 6, 156, 171, 172
4536FT	7, 10, 156, 157, 173, 174
4551Q	133, 137, 139, 141, 164, 200
4551XL	79, 162, 193
4551XR	79, 162, 193
4591DX00	209
4591FT	7, 10, 156, 157, 173
4591PQ	13, 157, 175
4649F	15, 157, 176
4661FC	6, 156, 172
4661PQ	13, 157, 175
4670Q	17, 158, 178
4692FC	5, 6, 156, 171, 172
4692FC00	209
4692HXS	16, 158, 177
4700PQ	13, 157, 175
4702Q00	25, 26, 27, 28, 31, 33, 35, 209, 249, 250, 251, 252, 253
4702QP	31, 160, 187
4702QPBG	209
4703QP	28, 31, 160, 187
4704QP	31, 160, 187
4707QP	45, 81, 85, 89, 125, 143, 147, 149, 161, 163, 165, 190, 194, 201, 202
4707QPBG	209
470902	49, 53, 57, 63, 67, 71, 209, 260, 261
470920	47, 49, 209, 260
4709E2	61, 162, 192
4709E2BG	209
4710QP	25, 26, 33, 35, 159, 160, 184, 187
4711QP	81, 85, 89, 125, 143, 163, 165, 194, 201
4715AD-KVT	95
4715CP	95, 163, 197
4715QP	105, 125, 164, 165, 199, 201
4717E2	24, 159, 183
4718QP	109, 125, 165, 201
4719E2	49, 162, 192
4720QP	105, 164, 199

Part No.	Page No.
4725E2	49, 61, 162, 192
4726E2	61, 162, 192
4728CP	107, 163, 197
4728D-KVT	107
472902	22
4729E2	22, 159, 182
6042SL	18, 158, 179
HD1HM	345
HD1M	345
HD1SD	345
HD2	345
HD3M	345
HD4	345
HD5	345
HD6M	345
HD7M	345
HD8	345
HD9	345
HD10	345
HD11	345
HD12	345
HD13	345
HD14M	345
HD17M	345
HD18M	345
HD19M	345
HD20	345
HD22	345
HD23	345
HD24	345
HD25M	345
HD26M	345
HD27	345
HD28M	345
HD29M	345
HD30M	345
HD31M	345
HD32M	345
HD33M	345
SB20E1308E	20, 166
S-35322-9	26, 250
SB20E1443ES	21, 167
SB20E4515Q	37, 39, 41, 93, 129, 131, 133, 135, 137, 139, 141, 169
SB20E4515X	73, 75, 77, 79, 169
SB20E4702QP	31, 167
SB20E4707QP	43, 45, 81, 85, 89, 143, 147, 149, 169
SB20E4709E2	65, 69, 169
SB20M1308E	20, 166
SB20M1308Q	29, 167
SB20M1308QLP	29, 167
SB20M1443ES	21, 167
SB20M4515Q	37, 39, 41, 93, 129, 131, 133, 135, 137, 139, 141, 169
SB20M4515X	73, 75, 77, 79, 169

Part No.	Page No.
SB20M4591FT	7, 8, 10, 12, 166
SB20M4591FTCR	7, 8, 12, 166
SB20M4591PQ	13, 14, 166
SB20M4591PQR	166
SB20M4692FC	5, 6, 9, 11, 166
SB20M4692FCU	5, 9, 11, 166
SB20M4692HXS	16, 166
SB20M4702QP	31, 167
SB20M4707QP	43, 45, 81, 85, 89, 143, 147, 149, 169
SB20M4709E2	65, 69, 169
SB20M4715QPS	97, 99, 101, 103, 105, 168
SB20M4720QPS	97, 99, 101, 103, 105, 168
SB20M6042SL	18, 166
SB21CV4707QP	43, 45, 81, 85, 89, 113, 117, 121, 125, 143, 147, 149, 169
SB21CV4709E2	51, 55, 61, 65, 69, 169
SB21CV4711QP	81, 85, 89, 113, 117, 121, 127, 143, 170
SB21CV4715QP	97, 99, 101, 103, 105, 125, 168
SB21CV4715QPS	97, 99, 101, 103, 105, 168
SB21CV4719E2	47, 49, 167
SB21CV4719E2S	47, 49, 167
SB21CV4720QPS	97, 99, 101, 103, 105, 168
SB21CV4725E2	47, 49, 51, 55, 61, 168
SB21CV4725E2S	47, 49, 168
SB21CV4726E2	51, 55, 61, 65, 69, 170
SB21P1308E	20, 166
SB21P1308Q	29, 167
SB21P1308QLP	29, 167
SB21P1308T	32, 167
SB21P1308TLP	32, 167
SB21P1443ES	21, 167
SB21P4515Q	37, 39, 41, 93, 129, 131, 133, 135, 137, 139, 141, 169
SB21P4515X	73, 75, 77, 79, 169
SB21P4591FT	7, 8, 10, 12, 166
SB21P4591FTCR	7, 8, 12, 166
SB21P4591PQ	13, 14, 166
SB21P4591PQR	166
SB21P4670Q	17, 166
SB21P4692FC	5, 6, 9, 11, 166
SB21P4692FCU	5, 9, 11, 166
SB21P4702QP	31, 167
SB21P4707QP	43, 45, 81, 85, 89, 113, 117, 121, 125, 143, 147, 149, 169
SB21P4709E2	51, 55, 61, 65, 69, 169
SB21P4710QP	25, 26, 33, 35, 167
SB21P4711QP	81, 85, 89, 113, 117, 121, 125, 143, 170
SB21P4715QP	97, 99, 101, 103, 105, 125, 168
SB21P4715QPS	97, 99, 101, 103, 105, 168
SB21P4718QP	109, 121, 125, 169
SB21P4719E2	47, 49, 167
SB21P4719E2S	47, 49, 167
SB21P4720QPS	97, 99, 101, 103, 105, 168
SB21P4725E2	47, 49, 51, 55, 61, 168

Part No.	Page No.
SB21P4725E2S	47, 49, 167
SB21P4726E2	51, 55, 61, 65, 69, 170
SB21P4729E2	22, 167
SB23CV4707QP	43, 45, 81, 85, 89, 113, 117, 121, 125, 143, 147, 149, 169
SB23CV4709E2	51, 55, 61, 65, 69, 169
SB23CV4711QP	81, 85, 89, 113, 117, 121, 127, 143, 170
SB23CV4715QP	97, 99, 101, 103, 105, 125, 168
SB23CV4715QPS	97, 99, 101, 103, 105, 168
SB23CV4719E2	47, 49, 167
SB23CV4719E2S	47, 49, 167
SB23CV4720QPS	97, 99, 101, 103, 105, 168
SB23CV4725E2	47, 49, 51, 55, 61, 168
SB23CV4725E2S	47, 49, 168
SB23CV4726E2	51, 55, 61, 65, 69, 170
SB23DP1443ES	21, 167
SB23DP1477BPW	150, 170
SB23DP4515Q	37, 39, 41, 93, 129, 131, 133, 135, 137, 139, 141, 169
SB23DP4702QP	31, 167
SB23DP4707QP	43, 45, 81, 85, 89, 113, 117, 121, 125, 143, 147, 149, 169
SB23DP4709E2	51, 55, 61, 65, 69, 169
SB23DP4710QP	25, 26, 33, 35, 167
SB23DP4711QP	81, 85, 89, 113, 117, 121, 127, 143, 170
SB23DP4715QP	97, 99, 101, 103, 105, 125, 168
SB23DP4715QPS	97, 99, 101, 103, 105, 168
SB23DP4719E2	47, 49, 167
SB23DP4719E2S	47, 49, 167
SB23DP4720QPS	97, 99, 101, 103, 105, 168
SB23DP4725E2	47, 49, 51, 55, 61, 168
SB23DP4725E2S	47, 49, 168
SB23DP4726E2	51, 55, 61, 65, 69, 170
SB23DS1443ES	21, 167
SB23DS4515Q	37, 39, 41, 93, 129, 131, 133, 135, 137, 139, 141, 169
SB23DS4702QP	31, 167
SB23DS4707QP	43, 45, 81, 85, 89, 113, 117, 121, 125, 143, 147, 149, 169
SB23DS4709E2	61, 55, 61, 65, 69, 169
SB23DS4710QP	25, 26, 33, 35, 167
SB23DS4711QP	81, 85, 89, 113, 117, 121, 127, 143, 170
SB23DS4715QP	97, 99, 101, 103, 105, 125, 168
SB23DS4715QPS	97, 99, 101, 103, 105, 168
SB23DS4719E2	47, 49, 167
SB23DS4719E2S	47, 49, 167
SB23DS4720QPS	97, 99, 101, 103, 105, 168
SB23DS4725E2	47, 49, 51, 55, 61, 168
SB23DS4725E2S	47, 49, 168
SB23DS4726E2	51, 55, 61, 55, 69, 170
SB23E4515Q	37, 39, 41, 93, 129, 131, 133, 135, 137, 139, 141, 169
SB23E4515X	73, 75, 77, 79, 169
SB23E4707QP	43, 45, 81, 85, 89, 113, 117, 121, 125, 143, 147, 149, 169

# Numerical Listing

# SB23M4709E2 thru SLN-105

Numerical Listing

Part No.	Page No.
SB23E4709E2	51, 55, 61, 65, 69, 169
SB23F4515Q	37, 39, 41, 93, 129, 131, 133, 135, 137, 139, 141, 169
SB23F4707QP	43, 45, 81, 85, 89, 113, 117, 121, 125, 143, 147, 149, 169
SB23M1308E	20, 166
SB23M1308Q	29, 167
SB23M1308QLP	29, 167
SB23M1443ES	21, 167
SB23M4515Q	37, 39, 41, 93, 129, 131, 133, 135, 137, 139, 141, 169
SB23M4515X	73, 75, 77, 79, 169
SB23M4536FC	5, 6, 9, 11, 166
SB23M4536FCU	5, 9, 11, 166
SB23M4536FT	7, 8, 10, 12, 166
SB23M4536FTCR	7, 8, 12, 166
SB23M4591FT	7, 8, 10, 12, 166
SB23M4591FTCR	7, 8, 12, 166
SB23M4591PQ	13, 14, 166
SB23M4591PQR	166
SB23M4692FC	5, 6, 9, 11, 166
SB23M4692FCU	5, 9, 11, 166
SB23M4700PQ	13, 14, 166
SB23M4702QP	31, 167
SB23M4703QP	28, 31, 167
SB23M4707QP	43, 45, 81, 85, 89, 113, 117, 121, 125, 143, 147, 149, 169
SB23M4709E2	61, 55, 61, 65, 69, 169
SB23M4710QP	25, 26, 33, 35, 167
SB23M4711QP	81, 85, 89, 113, 117, 121, 127, 143, 170
SB23M4715QP	97, 99, 101, 103, 105, 125, 168
SB23M4715QPS	97, 99, 101, 103, 105, 168
SB23M4717E2	24, 167
SB23M4718QP	109, 121, 125, 169
SB23M4719E2	47, 49, 167
SB23M4719E2S	47, 49, 167
SB23M4720QPS	97, 99, 101, 103, 105, 168
SB23M4725E2	47, 49, 51, 55, 61, 168
SB23M4725E2S	47, 49, 168
SB23M4726E2	51, 55, 61, 65, 69, 170
SB23M4729E2	22, 167
SB23P4515Q	37, 39, 41, 93, 129, 131, 133, 135, 137, 139, 141, 169
SB23P4515X	73, 75, 77, 79, 169
SB23P4551Q	131, 133, 135, 137, 139, 141, 170
SB23P4551X	79, 170
SB23P4591PQ	13, 14, 166
SB23P4591PQR	166
SB23P4649F	15, 166
SB23P4661FC	6, 166
SB23P4661PQ	13, 14, 166
SB23P4670Q	17, 166
SB23P4692FC	5, 6, 9, 11, 166
SB23P4692FCU	5, 9, 11, 166

Part No.	Page No.
SB23P4704QP	31, 167
SB23P4707QP	43, 45, 81, 85, 89, 113, 117, 121, 125, 143, 147, 149, 169
SB23P4709E2	51, 55, 61, 65, 69, 169
SB23P4709E2S	169
SB23P4711QP	113, 117, 121, 127, 170
SB23P4726E2	170
SB23S4515Q	169
SB23S4515X	73, 75, 77, 79, 169
SB23S4707QP	43, 45, 81, 85, 89, 113, 117, 121, 125, 143, 147, 149, 169
SB23S4709E2	61, 55, 61, 65, 69, 169
SB23SM4515PC	111, 169
SB25P4707QP	113, 117, 121, 125, 169
SB26T4515PC	111, 169
SB26T4707QP	113, 117, 121, 125, 169
SB26T4715QP	97, 99, 101, 103, 105, 125, 168
SB26T4715QPS	97, 99, 101, 103, 105, 168
SB26T4720QPS	97, 99, 101, 103, 105, 168
SLN-105	227



**Notes**

**Notes**

**Notes**

**Notes**

**Notes**

**Notes**

**Notes**

**Notes**

**Notes**

**Notes**

**Notes**

**Notes**

**Notes**

**Notes**





# AIR BRAKE COMPONENTS

PUB-212-2018 / Dec. 2018

**Dayton**  
**parts**<sup>®</sup> Dayton Parts, LLC

[www.daytonparts.com](http://www.daytonparts.com)

## Call Centers:

3500 Industrial Road  
Harrisburg, PA 17110  
800-233-0899

12390 184th Street  
Edmonton, AB T5V 0A5  
800-661-9861

## Distribution Centers:

Harrisburg, PA  
Edmonton, AB  
Las Vegas, NV  
Lewisville, TX  
Mississauga, ON

**DP**<sup>®</sup>  
Everywhere  
Mobile App

