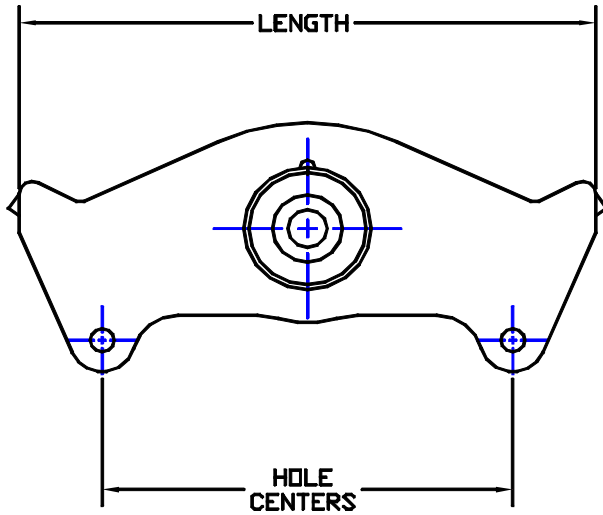
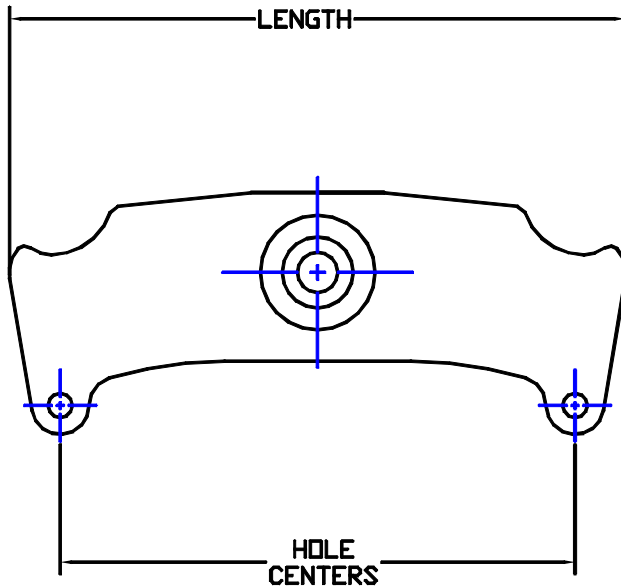


HUTCHENS INDUSTRIES INC.

ROCKER IDENTIFICATION



LENGTH	HOLE CENTERS	MODEL NO. (BUSHING TYPE)	PART NO.	COMMENTS
16.50	11.75	9700 (ONE BOLT)	16158-01	49" AXLE CENTERS FABRICATED
		7700 (TWO BOLT)	750-03	

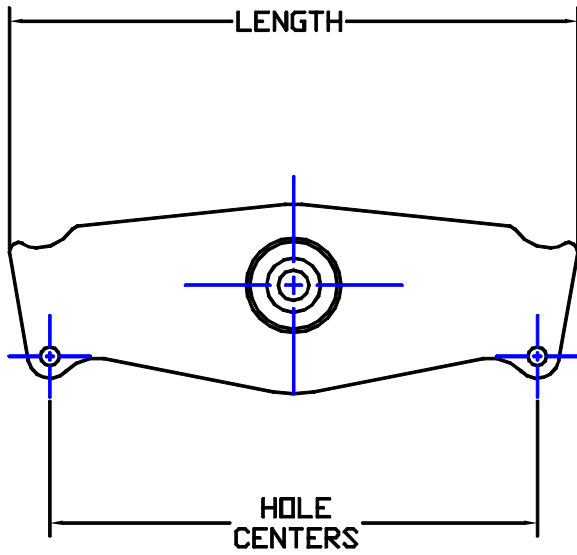


LENGTH	HOLE CENTERS	MODEL NO. (BUSHING TYPE)	PART NO.	COMMENTS
17.38	14.50	9700 (ONE BOLT)	16159-01	44" AXLE CENTERS
		7700 (TWO BOLT)	7750-02	6-LEAF, CAST 50/51 AC
17.38	14.88	9700 (ONE BOLT)	16159-03	44" AXLE CENTERS
		7700 (TWO BOLT)	10283-02	SINGLE LEAF SPRING, CAST

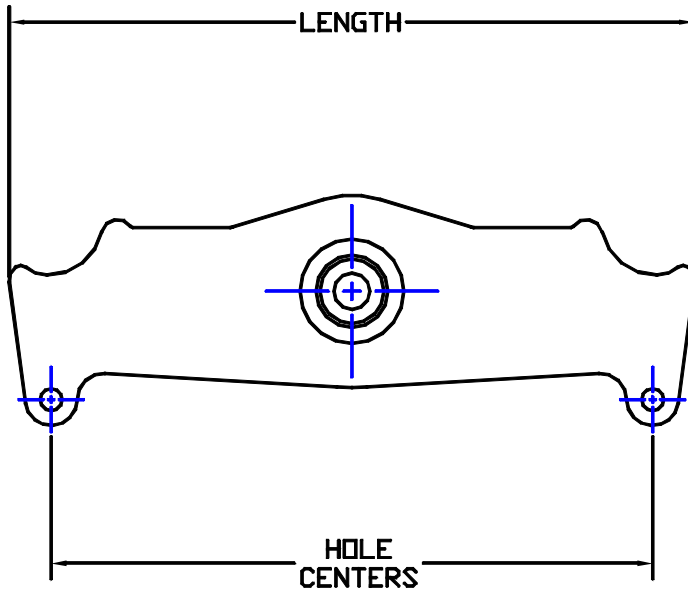
ROCKER IDENTIFICATION	ER: 2005122	REV: A DATE: 09/19/05	SHEET 1 OF 5
	PROJ: 20050500	REV ER: 2005223	DRAWING NO. 23663

HUTCHENS INDUSTRIES INC.

ROCKER IDENTIFICATION



LENGTH	HOLE CENTERS	MODEL NO. (BUSHING TYPE)	PART NO.	COMMENTS
21.00	18.00	9700 (ONE BOLT)	16160-01	53.5/54.5" AXLE CENTERS, NEW STYLE, CAST
		7700 (TWO BOLT)	12808-01	

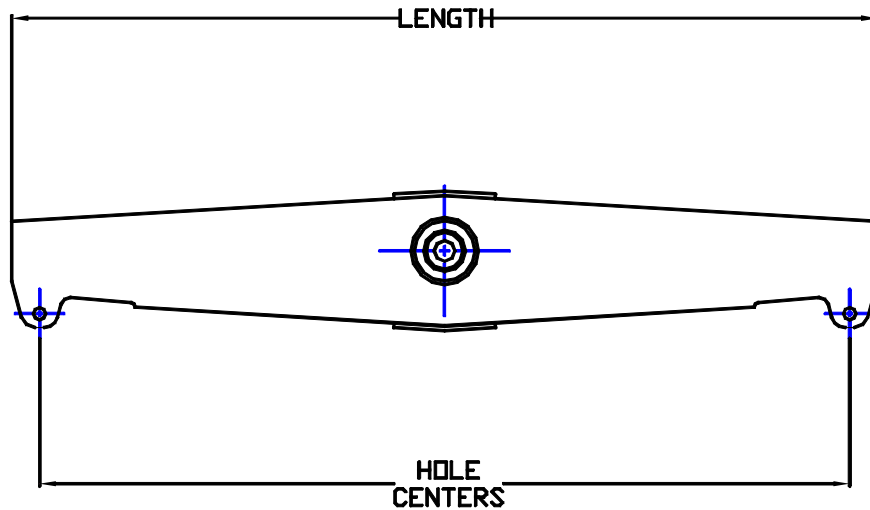


LENGTH	HOLE CENTERS	MODEL NO. (BUSHING TYPE)	PART NO.	COMMENTS
21.38	18.75	9700 (ONE BOLT)	16161-01	53.5/54.5" AXLE CENTERS OLD STYLE, CAST
		7700 (TWO BOLT)	10385-05	

ROCKER IDENTIFICATION	ER:	REV: A	SHEET 2 OF 5
	2005122	DATE: 09/19/05	
	PROJ:	REV ER:	DRAWING NO. 23663
	20050500	2005223	

HUTCHENS INDUSTRIES INC.

ROCKER IDENTIFICATION

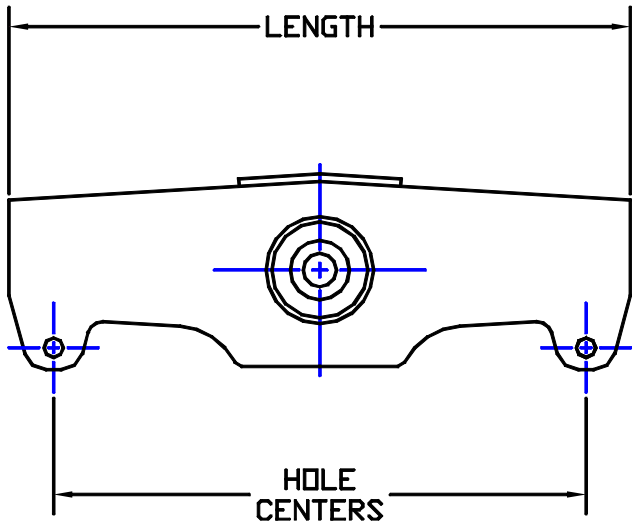


LENGTH	HOLE CENTERS	MODEL NO. (BUSHING TYPE)	PART NO.	COMMENTS
27.00	24.00	9700 (ONE BOLT)	16168-02	60/61" AXLE CENTERS FABRICATED
		7700 (TWO BOLT)	9239-02	
33.00	30.00	9700 (ONE BOLT)	16168-03	67" AXLE CENTERS FABRICATED
		7700 (TWO BOLT)	9239-03	
39.00	36.00	9700 (ONE BOLT)	16168-04	72/73" AXLE CENTERS FABRICATED
		7700 (TWO BOLT)	9239-04	
47.00	44.00	9700 (ONE BOLT)	16168-07	81" AXLE CENTERS FABRICATED
		7700 (TWO BOLT)	9239-07	
63.00	60.00	9700 (ONE BOLT)	16168-09	97" AXLE CENTERS FABRICATED
		7700 (TWO BOLT)	9239-09	
75.00	72.00	9700 (ONE BOLT)	16168-10	109" AXLE CENTERS FABRICATED
		7700 (TWO BOLT)	9239-10	
87.00	84.00	9700 (ONE BOLT)	16168-13	121" AXLE CENTERS FABRICATED
		7700 (TWO BOLT)	9239-13	
30.00	27.00	9700 (ONE BOLT)	16168-15	64" AXLE CENTERS FABRICATED
		7700 (TWO BOLT)	9239-15	
31.00	28.00	9700 (ONE BOLT)	16168-18	65" AXLE CENTERS FABRICATED
		7700 (TWO BOLT)	9239-18	

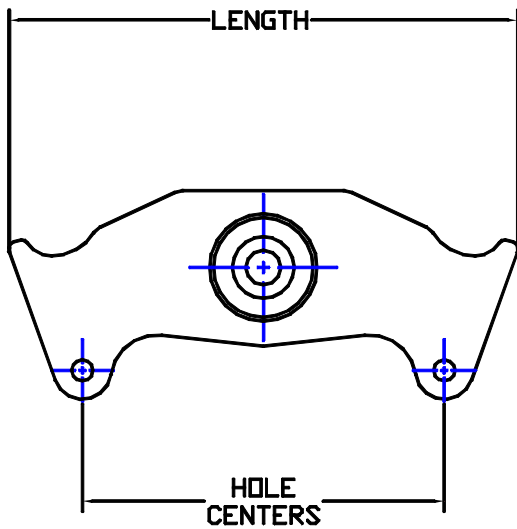
ROCKER IDENTIFICATION	ER: 2005122	REV: A	SHEET 3 OF 5
		DATE: 09/19/05	
	PROJ: 20050500	REV ER: 2005223	DRAWING NO. 23663

HUTCHENS INDUSTRIES INC.

ROCKER IDENTIFICATION



LENGTH	HOLE CENTERS	MODEL NO. (BUSHING TYPE)	PART NO.	COMMENTS
23.50	20.50	9700 (ONE BOLT)	17604-02	57.5" AXLE CENTERS FABRICATED
		7700 (TWO BOLT)	19219-02	

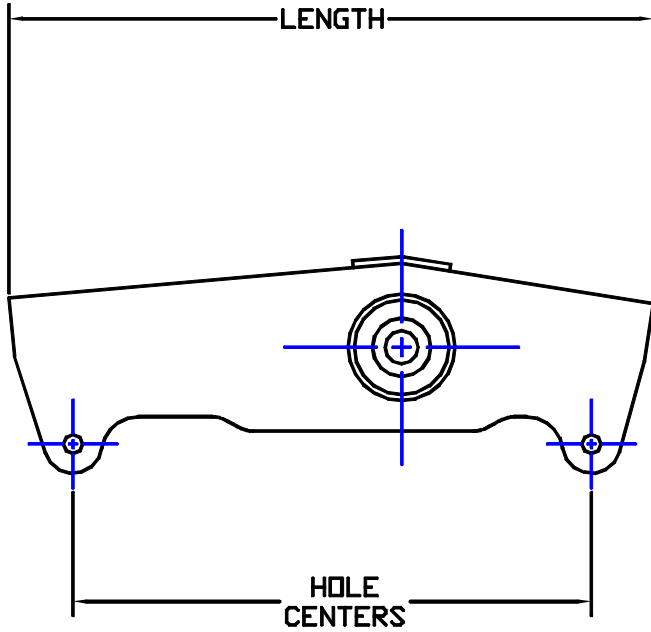


LENGTH	HOLE CENTERS	MODEL NO. (BUSHING TYPE)	PART NO.	COMMENTS
16.50	11.75	9700 (ONE BOLT)	17784-01	49" AXLE CENTERS CAST
		7700 (TWO BOLT)	19137-01	

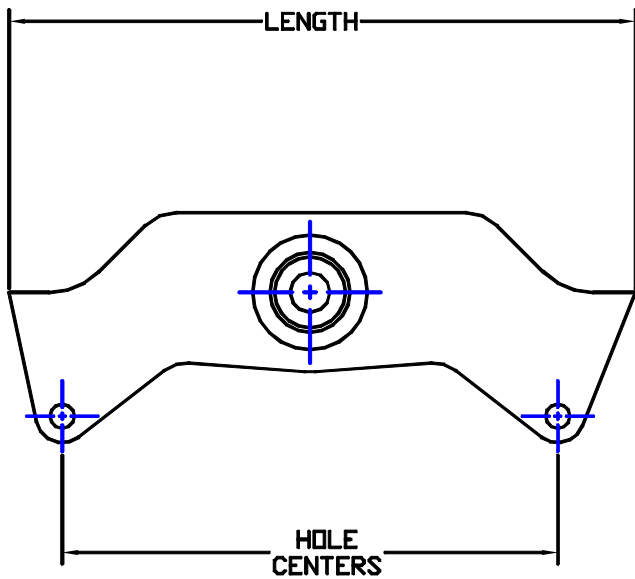
ROCKER IDENTIFICATION	ER: 2005122	REV: A DATE: 09/19/05	SHEET 4 OF 5
	PROJ: 20050500	REV ER: 2005223	DRAWING NO. 23663

HUTCHENS INDUSTRIES INC.

ROCKER IDENTIFICATION



LENGTH	HOLE CENTERS	MODEL NO. (BUSHING TYPE)	PART NO.	COMMENTS
22.06	17.75	9700 (ONE BOLT)	17893-01	SINGLE-DUAL-SINGLE FABRICATED
		7700 (TWO BOLT)	N/A	



LENGTH	HOLE CENTERS	MODEL NO. (BUSHING TYPE)	PART NO.	COMMENTS
17.69	14.00	9700 (ONE BOLT)	18747-01	H2300
		7700 (TWO BOLT)	2224-02	TRUCK SUSPENSION, CAST

ROCKER IDENTIFICATION	ER: 2005122	REV: A	SHEET 5 OF 5
		DATE: 09/19/05	
	PROJ: 20050500	REV ER: 2005223	DRAWING NO. 23663