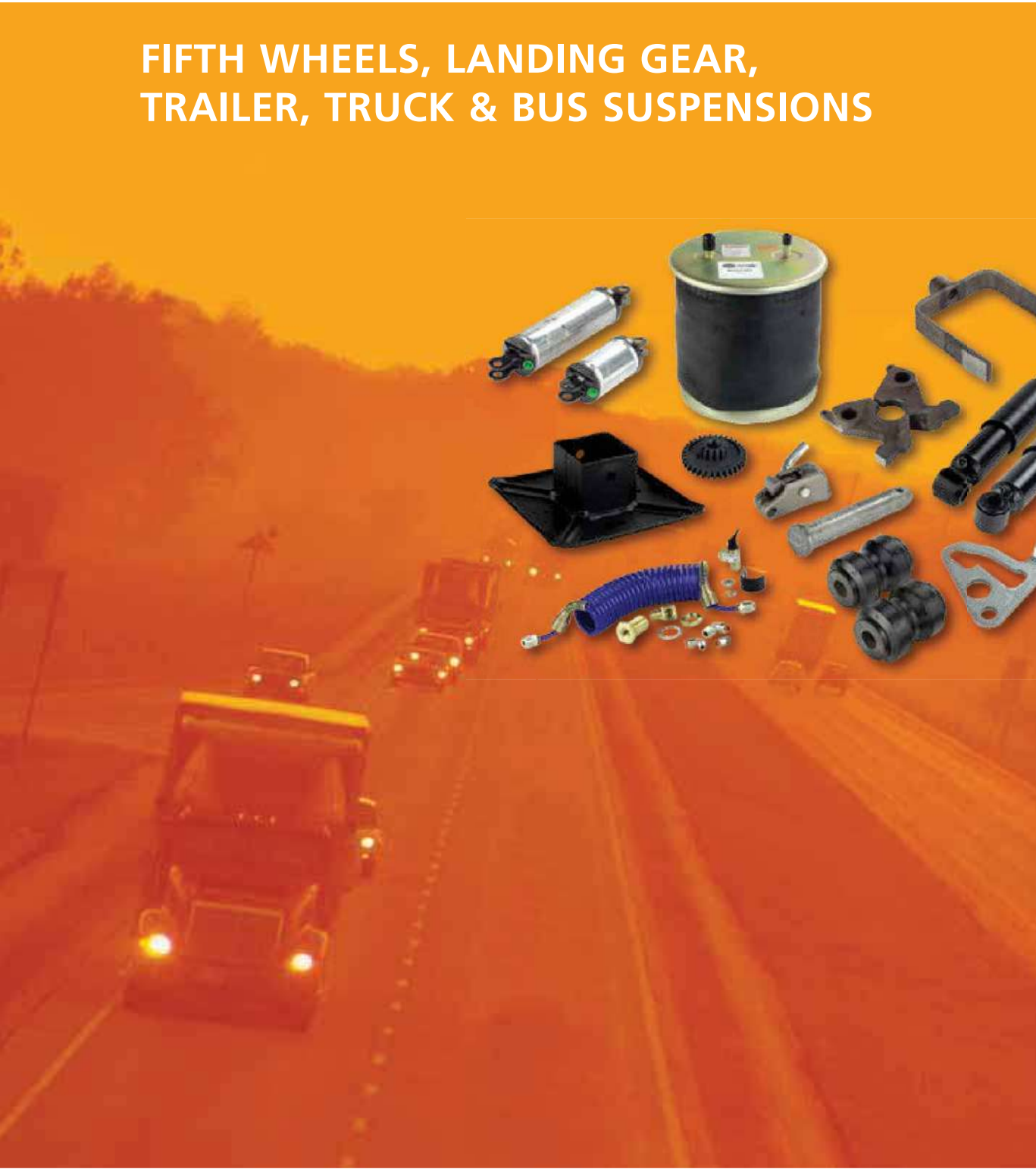


\$20.00

ORIGINAL PARTS CATALOG

**FIFTH WHEELS, LANDING GEAR,
TRAILER, TRUCK & BUS SUSPENSIONS**



YOUR COMPLETE SOURCE FOR COMMERCIAL VEHICLE PRODUCT SOLUTIONS



In 2006, two industrial icons merged to form SAF-HOLLAND, a global leader in the design and manufacture of high-quality components and systems for the commercial vehicle industry. Today, SAF-HOLLAND represents a range of brands providing suspension/axle systems, fifth wheels, and kingpins, coupling products, landing gear and liftgate solutions for truck, tractor, bus, and trailer applications.



SAF-HOLLAND Group

- ▶ FIFTH WHEELS
- ▶ LANDING GEAR
- ▶ KINGPINS
- ▶ COUPLINGS
- ▶ LIFTGATES



SAF-HOLLAND Group

- ▶ MECHANICAL SUSPENSION/
AXLE SYSTEMS
- ▶ TRAILER AXLES/BRAKES
- ▶ AIR-RIDE SUSPENSION/
AXLE SYSTEMS



SAF-HOLLAND Group

- ▶ SEVERE-DUTY VOCATIONAL
AIR-RIDE SUSPENSIONS
- ▶ BUS AIR-RIDE SUSPENSIONS
- ▶ STEER AIR-RIDE
SUSPENSIONS



www.safholland.com



SAF-HOLLAND Group



ORIGINAL PARTS CATALOG

General Parts Information for Holland Fifth Wheels, Landing Gear, and Trailer, Truck, Bus & Motorhome Suspensions

CONTENTS:

XL-FW10081PM-en-US	Fifth Wheels (Current Holland and Former Simplex Offerings)	1-1
XL-LG11389PM-en-US	Landing Gear	2-1
XL-AS11428PM-en-US	Trailer Air Suspensions (Current Holland and Former Neway Offerings)	3-1
XL-MS10216PM-en-US	Trailer Mechanical Suspensions (Current Holland and Former Neway Offerings)	4-1
XL-PS10457PM-en-US	Truck, Bus, and Motorhome Suspensions (Current Holland and Neway Offerings)	5-1
Coupling Products (not included in this catalog) See SAF-HOLLAND Publication XL-PH10397SG		

All Product Literature is available for download from www.safholland.us



FIFTH WHEELS

FW35 Series	1-2
FW31 Series	1-3
FW8 Series	1-4
FW17 Series	1-5
FWAL Series	1-6
Holland Simplex Series	1-7
FWS2 Series	1-8
Holland Simplex SE	1-9
Holland Simplex II SE	1-10
Holland Simplex Kits 'Quick List'	1-11
FW70 Series	1-12
XA-351-03505 and XA-351-UB	1-13
FW0100/FW0165 Series	1-14
FW2080 Series	1-15
FW2800/FW2900 Series	1-16
FW2870 Series	1-17
FW1560-C	1-18
FW0001/FW0002	1-19
FW8, FW35, FW2500 & FW2535 Series	
Slide Bracket Parts	1-20
FW2500-H, FW2535-H & FW2536-H Series	
Slide Bracket Parts	1-21
ILS Slider Replacement Parts	1-22
Holland Fifth Wheel Replacement Air Cylinders	1-23
Holland Fifth Wheel Kits 'Quick List'	1-24
Rubber Upshock Cushions	1-25
Discontinued Models	
FW3500 Series	1-26
FW2000 Series	1-27
Simplex II	1-28
Simplex	1-29
Simplex RH	1-30
Simplex Yard Tractor	1-31
Simplex Lite Straight Pull	1-32
Simplex Lite Rotary Pull	1-33
Simplex IIR	1-34
Castloc	1-35
Castloc II	1-36
Kits for Discontinued Simplex Fifth Wheels	1-37

LANDING GEAR

51000

Exploded View - Standard	2-2
Parts List - Standard	2-3
Exploded View - NoLube	2-4
Parts List - NoLube	2-5
Dimensions & Mounting Distances	2-6
Ordering Code	2-7

Atlas 55

Exploded View - Standard	2-8
Parts List - Standard	2-9
Exploded View - NoLube	2-10
Parts List - NoLube	2-11
Dimensions & Mounting Distances	2-12
Ordering Code	2-13

50000

Exploded View - Standard	2-14
Parts List - Standard	2-15
Exploded View - NoLube	2-16

Parts List - NoLube	2-17
Dimensions & Mounting Distances	2-18
Ordering Code	2-19

FG4000

Exploded View - Standard	2-20
Parts List - Standard	2-21
Exploded View - NoLube	2-22
Parts List - NoLube	2-23
Dimensions & Mounting Distances	2-24
Ordering Code	2-25

CMS2

Exploded View	2-26
Parts List	2-27
Mounting Distances	2-29

CMS3

Exploded View	2-30
Parts List	2-31

CMS2 & CMS3

Dimensions	2-32
Model Code	2-33

Classic

Exploded View	2-34
Parts List	2-35
Dimensions & Mounting Distances	2-36
Ordering Code	2-37

Mark V / Mark V HD

Exploded View	2-38
Parts List	2-39
Standard Leg Assemblies & Replacement Shafts	2-40
Dimensions & Mounting Distances	2-41, 2-42
Ordering Code	2-43

Dual-Pin Drop Leg

Exploded View & Parts List	2-44
Dimensions, Capacities & Ordering Code	2-45

4700 & 4701 Series (before 09/2010)

Exploded View	2-46
Parts List	2-47

4700 & 4701 Series

Exploded View	2-48
Parts List	2-49
Dimensions & Mounting Distances	2-50
Ordering Code	2-51

48000 Series

Exploded View & Parts List	2-52
Dimensions, Capacities & Ordering Code	2-53

49000 Gooseneck

Exploded View, Parts List & Dimensions	2-54
Dimensions, Capacities & Ordering Code	2-55

Anti-Nose Dive

Exploded View & Parts List	2-56
Dimensions & Capacities	2-57

JS150-SB

Exploded View, Parts List, Dimensions & Capacities	2-58
--	------

JS-2000

Exploded View, Parts List, Dimensions & Capacities	2-59
--	------

JS300

Exploded View & Parts List	2-60
Dimensions & Capacities	2-61
Replacement Shafts	2-62
Replacement Gears	2-85

TRAILER AIR SUSPENSION

Current Holland Models

CB400/4000 & CBX40	3-2
NS400/450	3-8
NS190	3-16
AirLite2	3-18
CBX23/CBX25 & CB2300	3-20
RL Series (RL-228, RL-230, RL-250, RL-300)	3-26
RL Suspension Service Repair Kits (SRK)	3-46
RLU Series (RLU-228, RLU-250, RLU-300)	3-52
RLU Suspension Service Repair Kits (SRK)	3-66

Late Model Neway Suspensions

AR-120 Series	3-66
AR-250 Series	3-74
AR-41/AR-45 Series	3-76
AR-50 Series	3-78
AR-70 Series	3-80
AR-75 Series	3-84
AR-80 Series	3-88
AR-90 Series	3-92
AR-92 Series	3-96
AR-93 Series	3-98
AR-95 Series	3-100
AR-955 Series	3-104
ART Series	
(See Truck Air Suspension Parts Guide XL-PS10459PM)	5-28
ARU-92 Series	3-112
ARU-93 Series (RLU-228-3)	3-54
RL-196 Series	3-114
AL-41	3-119
AL-45 Series	3-120
AL-75 Series	3-121
Frame Brackets (Selected Models)	3-122
Equalizing Beam Identification	
(Selected Models)	3-124

TRAILER MECHANICAL SUSPENSION

Current Holland Models

UltraLite2 (Binkley)	4-2
DuraSystem (Binkley)	4-6
Z-Frame	4-10
TR-8750, TR-8900	4-12
TR-4100/TR-4120	4-14
TS Series	4-18
USR-4440, -5500, -5600	4-20
TS & USR Service Rebuild Kits	4-22

Former Neway Suspensions

Trailer Spring Beam Suspension (SB)

SB-360-B, -500-B, -600-B	4-24
SB-660-HD-A	4-26

Two-Spring Tandem Suspensions (TS, US, USR)

TS-426-A, -432, -436, -442, -536, -542	4-28
TS-550, TS-560	4-30
TS-660, -680, -6100, TS-660-A, -680-A, -6100-A	4-32
US-426-A, -432, -436, -442, -536, -542	4-34
US-4360, -4440	4-36
USR-426-A, -432, -436, -442	4-38
USR-536, -542, -550, -560	4-40

Trailer Single, Tandem & Tri-Axle Spring Suspension (RTS)

RTS-218-A, RTS-222-A	4-42
RTS-536, RTS-544	4-44
RTS-754-HD	4-46

Trailer Tri-Axle Spring Suspension (TR)

T-8750, T-8900	4-48
T-8540, TR-8540, TR-8600	4-50

Trailer Rubber Cushion Suspension (ER, RC)

RC-122-11-A, RC-122-16-A	4-52
ER-2250/RC-2000-16	4-54

TRUCK, BUS & MOTORHOME SUSPENSION

Powered Suspensions

AD-123/246/369 Series	5-2
AD-126/252/378 Series	5-3
AD-130/260/390 Series	5-4
AD-200-7, -8, -9, -11	5-10
ADL-120	5-12
ADZ-123	5-16
ADZ-126	5-18
ARD-120-6, -238-6	5-24
ARD-125-6, -8, ARD-244-6, -8	5-26
ARD-234-6	5-28
ARDAB-120-5, -240-5 (same as ARDAB-238-5)	5-30
ARDST-123-6, -244-6, -246-6, -250-6	5-34
ARDSTM/L-123-6, -246-6	5-36
ARDTB-125-6A, -6B	5-38

Non-Powered Suspensions

ART-500-B, -1, ART-551-B-1, -2, -3	5-40
ART-500-US-A	5-42
ART-505-B, -1, ART-555-B-1, -2, -3	5-44
ART-505-C, -1, ART-555-C-1, -2, -3	5-46
ART-541-B	5-48
AS Series	5-50
ASB Series	5-51
Equalizing Beam Identification (Selected Models)	5-53

PART NUMBER INDEX

Part Number to Page Number Reference	6-1
--	-----



THIS PAGE INTENTIONALLY LEFT BLANK

HOLLAND FIFTH WHEEL PARTS REFERENCE GUIDE

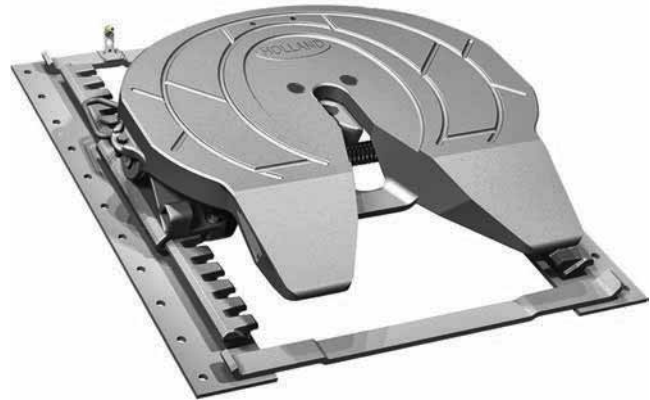


TABLE OF CONTENTS

FW35 Series	1-2	ILS Slider Replacement Parts.....	1-22
FW31 Series	1-3	Holland Fifth Wheel Replacement Air Cylinders	1-23
FW8 Series	1-4	Holland Fifth Wheel Kits 'Quick List'	1-24
FW17 Series	1-5	Rubber Upshock Cushions	1-25
FWAL Series	1-6		
Holland Simplex Series.....	1-7	Discontinued Models	
FWS2 Series	1-8	FW3500 Series	1-26
Holland Simplex SE	1-9	FW2000 Series	1-27
Holland Simplex II SE	1-10	Simplex II	1-28
Holland Simplex Kits 'Quick List'	1-11	Simplex	1-29
FW70 Series	1-12	Simplex Yard Tractor	1-31
XA-351-03505 and XA-351-UB.....	1-13	Simplex Lite.....	1-32
FW0100/FW0165 Series	1-14	Simplex IIR	1-34
FW2080 Series	1-15	Castloc	1-35
FW2800/FW2900 Series	1-16	Castloc II	1-36
FW2870 Series	1-17	Kits for Discontinued Simplex Fifth Wheels.....	1-37
FW1560-C.....	1-18		
FW0001/FW0002	1-19		
FW8, FW35, FW2500 & FW2535 Series			
Slide Bracket Parts	1-20		
FW2500-H, FW2535-H & FW2536-H Series			
Slide Bracket Parts	1-21		

For parts, service, and warranty questions,
call 888.396.6501 or visit www.safholland.us

FW35 Series Parts List

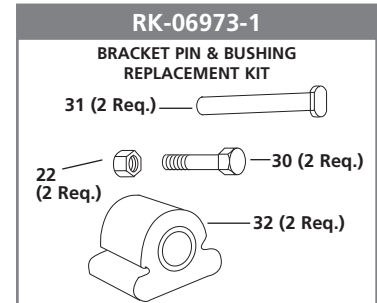
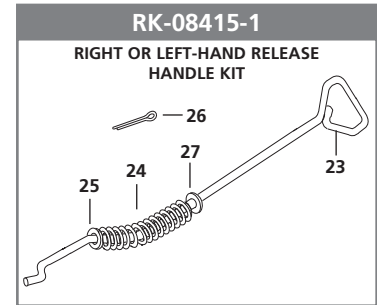
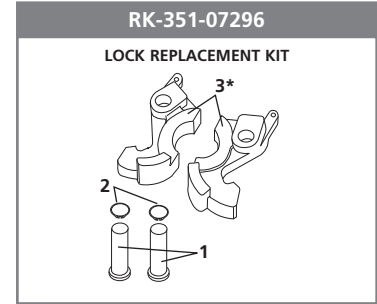
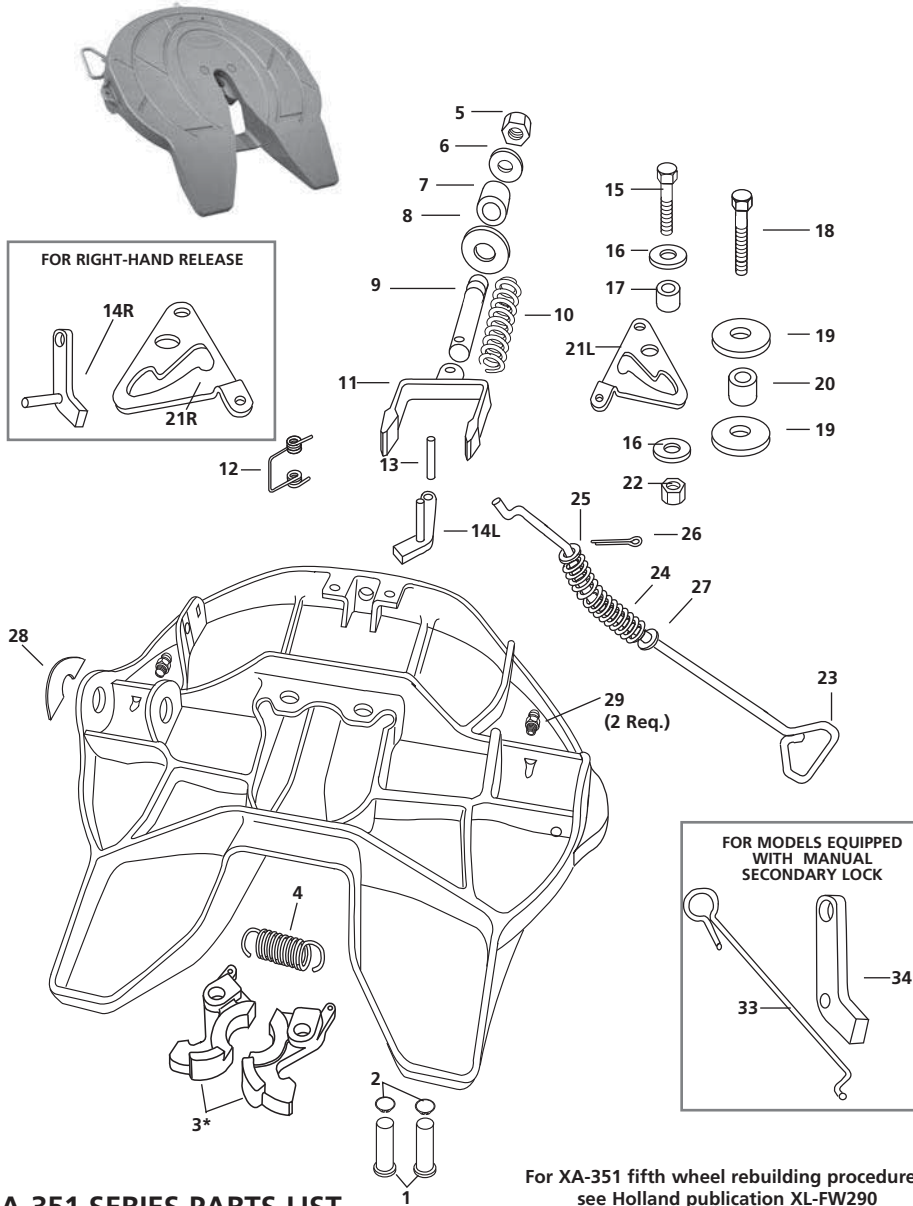


SAF-HOLLAND Group

XA-351 Rebuild Kit

RK-351-A: Right-hand Release

RK-351-A-L: Left-hand Release



For XA-351 fifth wheel rebuilding procedures, see Holland publication XL-FW290

XA-351 SERIES PARTS LIST

ITEM	PART NO.	QTY.	DESCRIPTION
1	XA-07292-1	2	Lock Pin
2	XB-07398	2	Retaining Ring
3	XA-07296*	1	Lock Jaw Set
4	XB-07628	1	Extension Spring
5	XB-HNH-34-F	1	Locknut (3/4"-16)
6	XB-PW-1316-112	1	Washer (1 1/2" O.D. x 13/16" I.D.)
7	XB-1127	1	Rubber Washer
8	XB-02312	1	Lock Adjustment Tag
9	XA-1706	1	Yoke Shaft
10	XB-1505	1	Compression Spring
11	XA-07295	1	Yoke
12	XB-2149	1	Torsion Spring
13	XB-21-S-500-2750	1	Roll Pin (1/2" x 23/4")
14L	XA-3542-L	1	Secondary Lock (left-hand)
14R	XA-3542-R	1	Secondary Lock (right-hand)
15	XB-2083	1	Hex Head Cap Screw (1/2"-20 x 1-3/4")
16	XB-08559	2	Washer (1 3/4" O.D. x 9/16" I.D.)
17	XA-1029	1	Roller (1/2" I.D.)
18	XB-CX-58-F-134	1	Hex Head Cap Screw (5/8"-18 x 1-3/4")

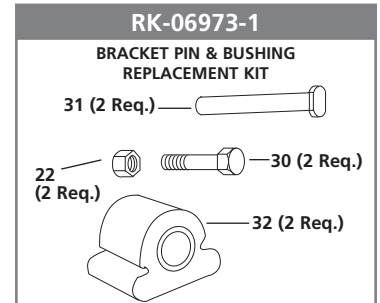
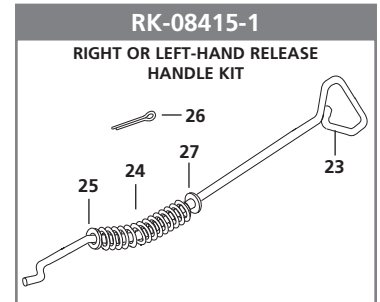
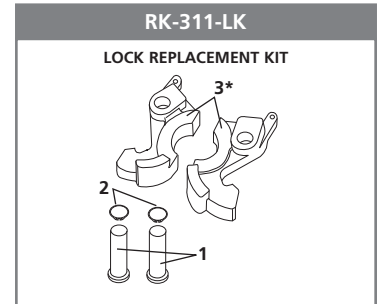
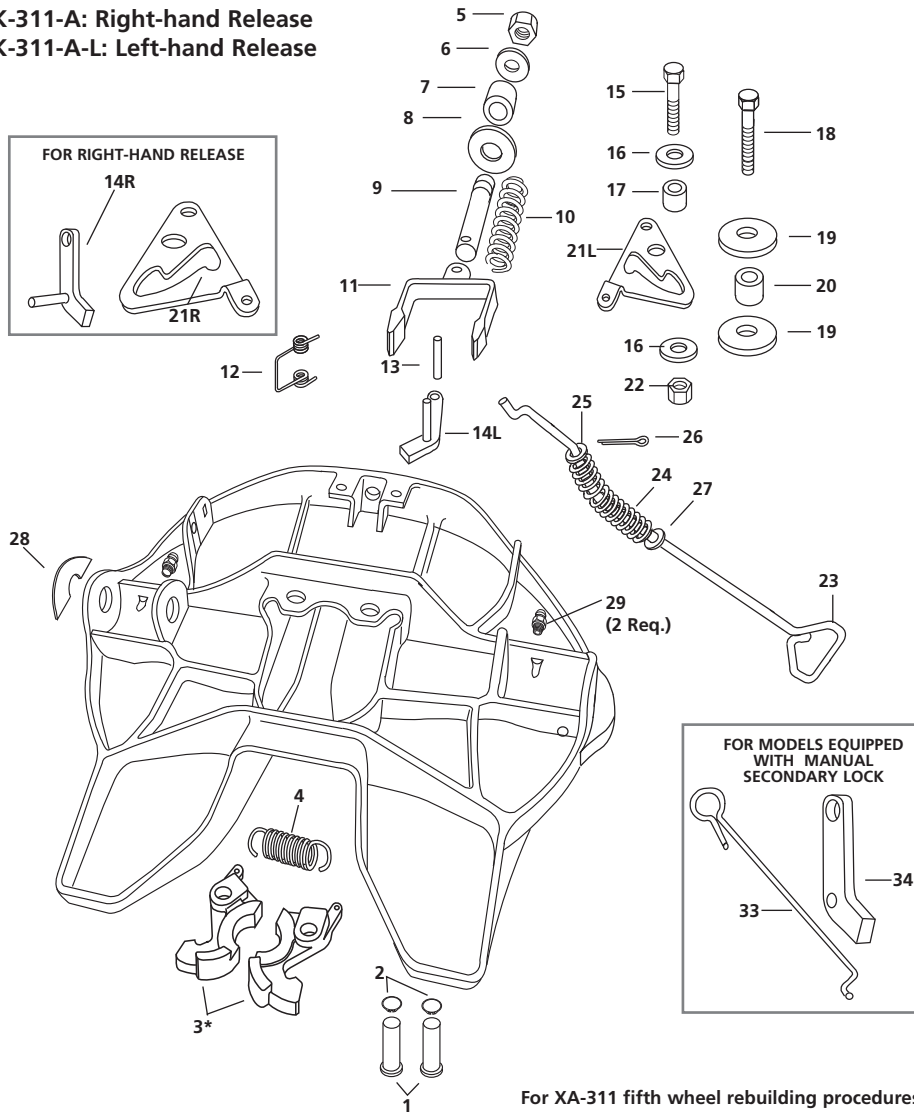
ITEM	PART NO.	QTY.	DESCRIPTION
19	XB-07431	2	Washer (2-5/8" x 21/32")
20	XA-1507	1	Roller (5/8" I.D.)
21L	XA-07150-L	1	Cam Plate (left-hand)
21R	XA-07150-R	1	Cam Plate (right-hand)
22	XB-T-69-A	1	Locknut (1/2"-20)
23	XA-07151-1	1	Release Handle (universal for both left and right)
24	XB-07291	1	Compression Spring
25	XB-PW-1732-1-116	1	Washer (1 1/16" O.D. x 1/2" I.D.)
26	XB-07508	1	Cotter Pin (1/8" x 1-1/4")
27	XB-T-49	1	Washer (1-3/8" O.D. x 9/16" I.D.)
28	XB-07610	1	Operation Tag
29	XB-H-38	2	Grease Zerk
30	XB-C-95	2	Hex Head Cap Screw (1/2"-20 x 1-1/4")
31	XE-06356	2	Bracket Pin
32	XB-0011-2	2	Rubber Bushing
33	XA-3542-M	1	Manual Second. Lock Release Handle
34	XA-3528	1	Manual Secondary Lock

* Not available individually; order RK-351-07296

XA-311 Rebuild Kit

RK-311-A: Right-hand Release

RK-311-A-L: Left-hand Release



For XA-311 fifth wheel rebuilding procedures, see Holland publication XL-FW442

XA-311 SERIES PARTS LIST

ITEM	PART NO.	QTY.	DESCRIPTION
1	XA-07292-1	2	Lock Pin
2	XB-07398	2	Retaining Ring
3	XA-10255*	1	Lock Jaw Set
4	XB-07628	1	Extension Spring
5	XB-HNH-34-F	1	Locknut (3/4"-16)
6	XB-PW-1316-112	1	Washer (1 1/2" O.D. x 13/16" I.D.)
7	XB-1127	1	Rubber Washer
8	XB-02312	1	Lock Adjustment Tag
9	XA-1706	1	Yoke Shaft
10	XB-1505	1	Compression Spring
11	XA-10257	1	Yoke
12	XB-2149	1	Torsion Spring
13	XB-21-S-500-2750	1	Roll Pin (1/2" x 23/4")
14L	XA-10261	1	Secondary Lock (left-hand)
14R	XA-10451	1	Secondary Lock (right-hand)
15	XB-2083	1	Hex Head Cap Screw (1/2"-20 x 1-3/4")
16	XB-10294	2	Washer (2 1/4" O.D. x 17/32" I.D.)
17	XA-10265	1	Roller (1/2" I.D.)
18	XB-CX-58-F-134	1	Hex Head Cap Screw (5/8"-18 x 1-3/4")

ITEM	PART NO.	QTY.	DESCRIPTION
19	XB-10259	2	Washer (2-5/8" x 21/32")
20	XA-10343	1	Roller (5/8" I.D.)
21L	XA-10258	1	Cam Plate (left-hand)
21R	XA-10258	1	Cam Plate (right-hand)
22	XB-T-69-A	1	Locknut (1/2"-20)
23	XA-10344	1	Release Handle (universal for both left and right)
24	XB-07291	1	Compression Spring
25	XB-PW-1732-1-116	1	Washer (11/16" O.D. x 1/2" I.D.)
26	XB-07508	1	Cotter Pin (1/8" x 1-1/4")
27	XB-T-49	1	Washer (1-3/8" O.D. x 9/16" I.D.)
28	XB-07610	1	Operation Tag
30	XB-C-95	2	Hex Head Cap Screw (1/2"-20 x 1-1/4")
31	XE-06356	2	Bracket Pin
32	XB-0011-2	2	Rubber Bushing
33	XA-10459	1	Manual Second. Lock Release Handle
34	XA-10458	1	Manual Secondary Lock
35	RK-331-1	Set	Lube Plates (not Pictured)

* Not available individually; order RK-311-LK

FW8 Series Parts List

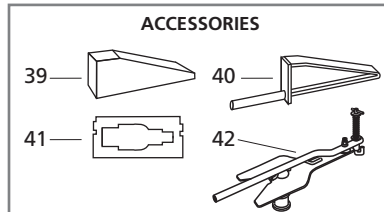
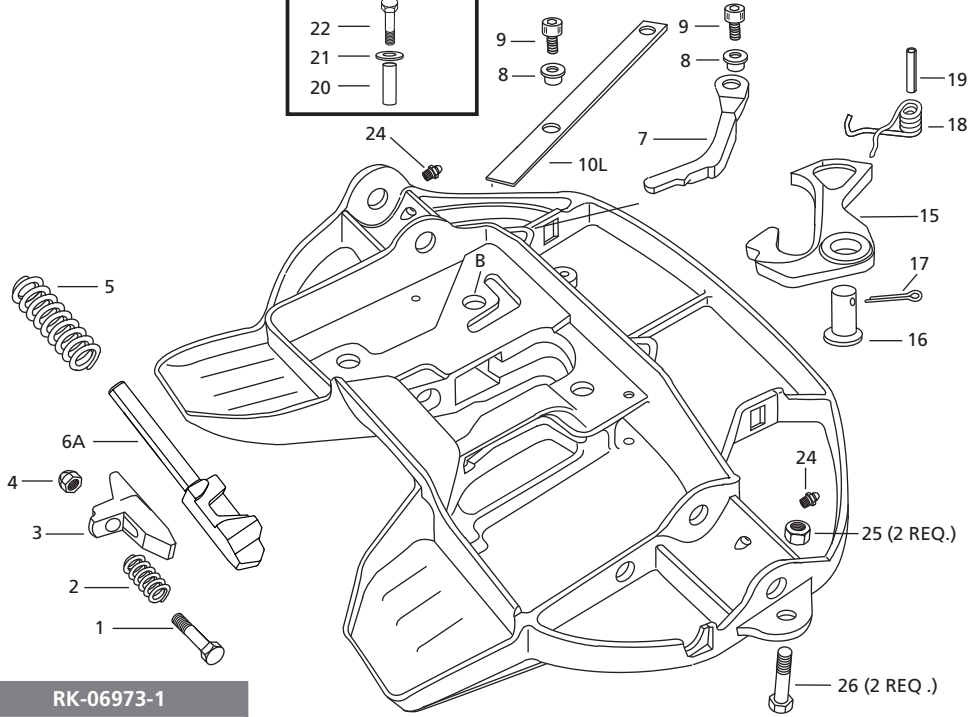
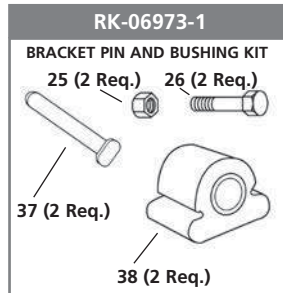
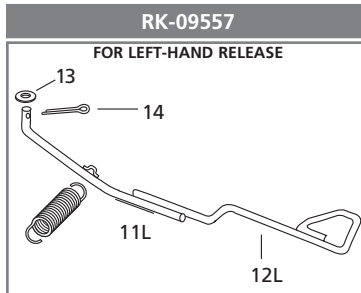
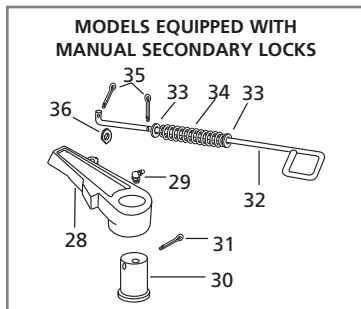
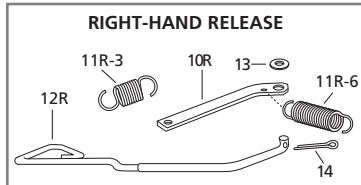


SAF-HOLLAND Group



XA-201 Rebuild Kit

RK-201-A3: Right-hand Release
RK-201-A3-L: Left-hand Release



DISCONTINUED MODEL SERVICE PARTS ONLY
Please contact Customer Service for part availability 888.396.6501

XA-201 PARTS LIST

ITEM	PART NO.	QTY.	DESCRIPTION
1	XB-06329-1	1	Hex Head Cap Screw 5/8"-11 x 4-1/4"
2	XB-09495	1	Spring
3	XD-06328	1	Adjusting Wedge
4	XB-06179-2	1	Locknut 5/8"-11
5	XB-06330	1	Plunger Spring
6	XA-09417-1	1	Locking Plunger
7	XE-09415	1	Cam Arm
8	XA-08162	2	Roller
9	XB-08558	2	SHCS 1/2"-13 x 3/4"
10R	XA-09580	1	Right-Hand Release Arm
10L	XA-09514	1	Left-Hand Release Arm
11R-3	XB-09629	1	Extension Spring
11R-6	XB-09581	1	Extension Spring
11L	XB-09408**	1	Extension Spring
12R	XA-09632	1	Right-Hand Release Handle
12L	XA-09484**	1	Left-Hand Release Handle
13	XB-T-199	1	5/8" Washer
14	XB-06336	1	Cotter Pin .19" x 1-1/4"
15	XA-09416*	1	Hinged Lock
16	XA-06344	1	Lock Pin
17	XB-5	1	Cotter Pin 1/4" x 2"
18	XB-08764	1	Lock Return Spring
19	XB-21-5-500-2750	1	Roll Pin

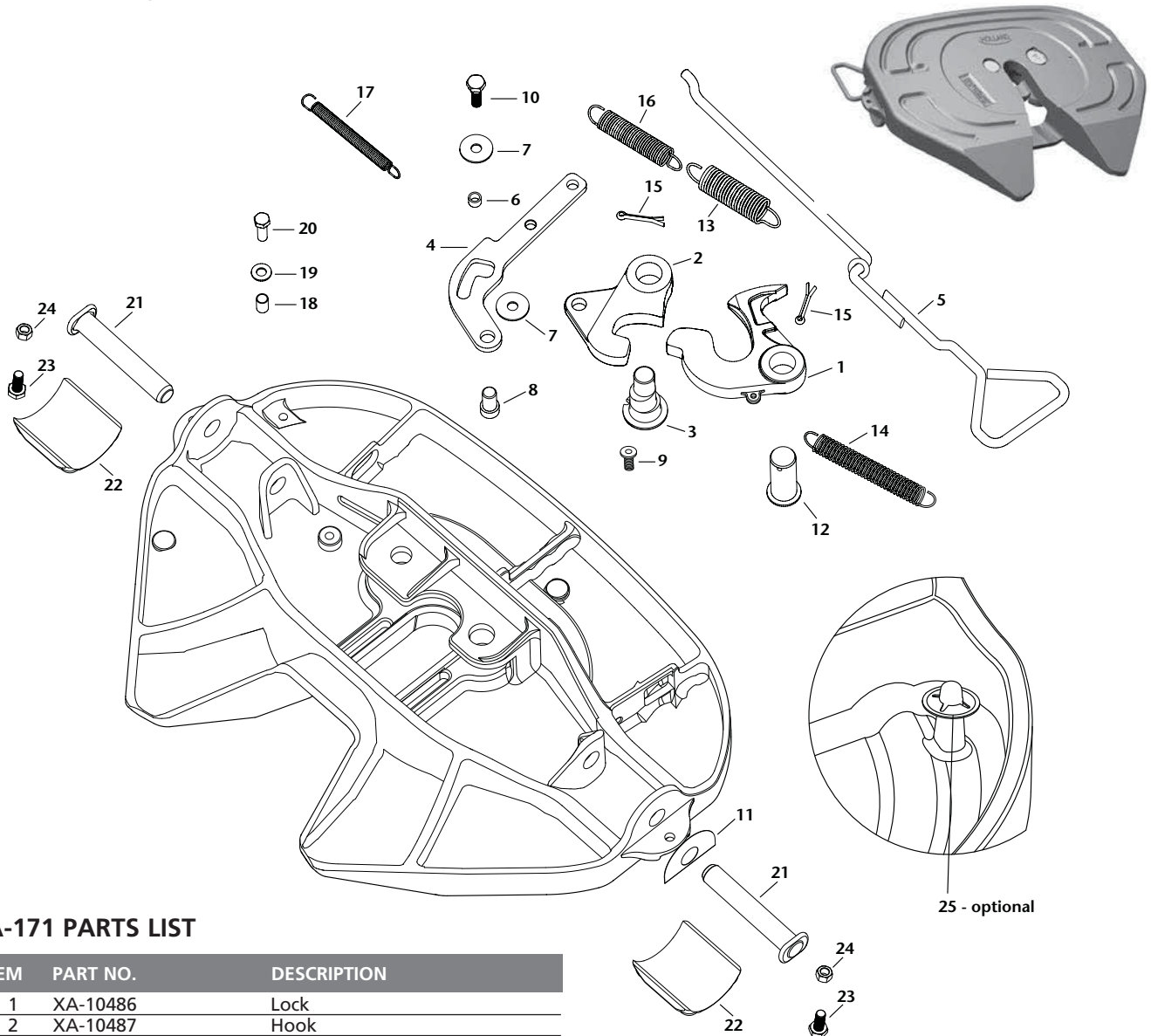
For XA-201 fifth wheel rebuilding procedures, see Holland publication XL-FW355

ITEM	PART NO.	QTY.	DESCRIPTION
20	XA-09558	1	Spacer
21	XB-1108	1	Washer
22	XB-C-38-C-214	1	HHCS, 3/8" x 2-1/4"
23	XB-09517-1	1	Extension Spring
24	XB-H-38	2	Grease Fitting
25	XB-T-69-A	2	Locknut, 1/2"-20
26	XB-C-95	2	Hex Head Cap Screw 1/2"-20 x 1-1/4"
27	XA-09590	1	Wedge Stop Block
28	XA-06349	1	Manual Secondary Lock Arm
29	XB-767-C	1	45° Grease Fitting
30	XA-1016-C	1	Secondary Lock Pin
31	XB-5	1	Cotter Pin 1/4" x 2" (Same as #17)
32	XA-06345	1	Secondary Lock Release Handle
33	XB-1204	2	7/16" Washer
34	XB-1028-1	1	Spring
35	XB-06337	2	Cotter Pin 1/8" x 1"
36	XB-PWC-38-78	1	Washer, 3/8" Clipped
37	XE-06356	2	Bracket Pin
38	XB-0011-2	2	Rubber Bushing
39	TF-TLN-08284	1	Helper Block (Wood)
40	TF-TLN-4000	1	Helper Block (Steel)
41	TF-TLN-0110	1	Kingpin Gage
42	TF-TLN-5001	1	2" Lock Adjustment Tool

* Not available individually; order RK-201-A3-L or RK-201-A3

** Not available individually; order RK-09557

Not available individually; order RK-09556



XA-171 PARTS LIST

ITEM	PART NO.	DESCRIPTION
1	XA-10486	Lock
2	XA-10487	Hook
3	XA-10364-3	Adjusting Pin
4	XA-10483	Release Cam
5	XA-10495	Release Handle
6	XA-10810-1	Cam Spacer
7	XB-10294	Washer, 1/2" Stainless Steel
8	XA-10485-1	Hook Pin
9	XB-02724-1	LHSCS, 3/8-16 x 3/4" LG
10	XB-2083	HHCS, 1/2-20 x 1-3/4" LG
11	XB-10424	Name Tag
12	XA-06344	Lock Pin
13	XB-10490	Extension Spring (Handle, Outer)
14	XB-05843-1	Extension Spring (Lock)
15	XB-5	Cotter Pin
16	XB-10489	Extension Spring (Handle, Inner)
17	XB-10563	Extension Spring (Release Cam)
18	XA-09558-1	Spacer
19	XB-PW-1732-1-116	Washer, Plain 1/2"
20	XB-E-541	HHCS, 1/2-20 x 1-1/2" LG
*21	XE-06356	Bracket Pin
*22	RK-PKT-2	Pocket Insert (Qty 2)
*23	XB-C-95	HHCS, 1/2-20 x 1-3/4" LG
*24	XB-T-69-A	1/2-20 Lock Nut
25	XB-10614	Retainer, Push 3/8" Dia.

Rebuild Kits:

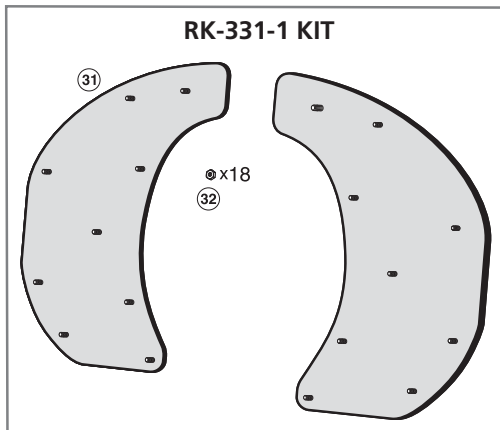
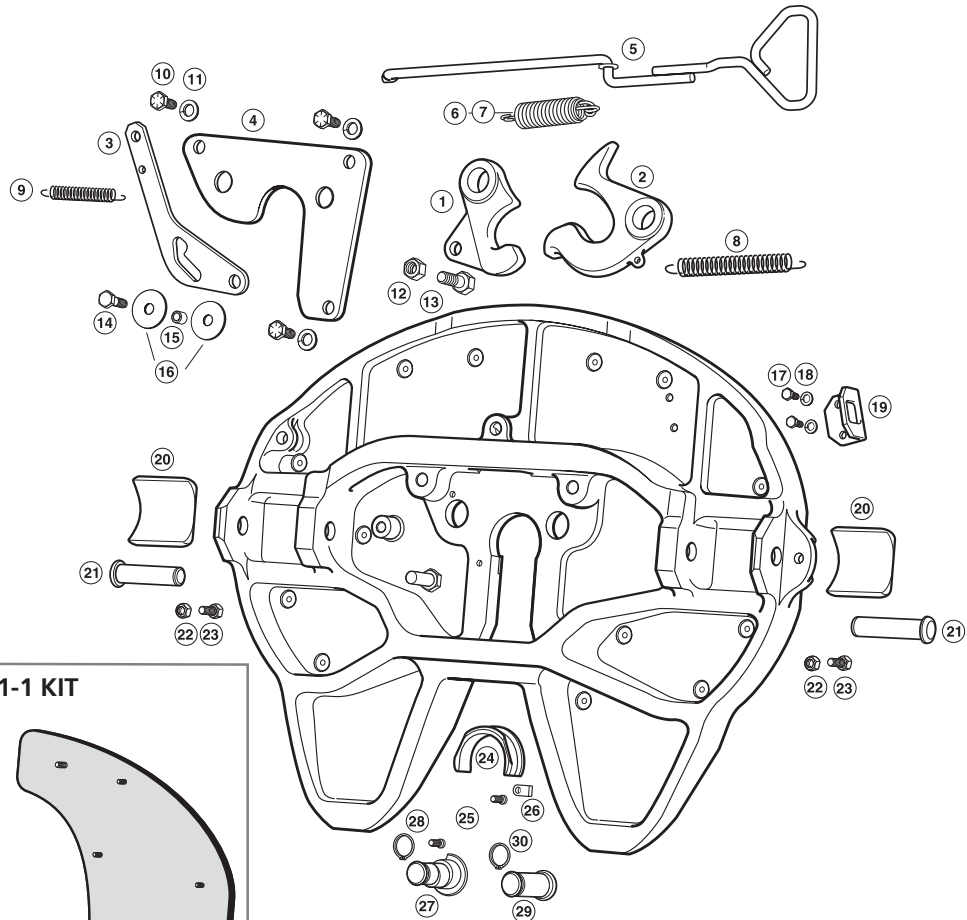
- Complete Rebuild Kit RK-17-A-L
- Lock Kit RK-171-11078
- Handle Kit RK-171-11079

* Not included in Complete Rebuild Kit (RK-17-A-L)

FWAL Series Parts List



SAF-HOLLAND Group

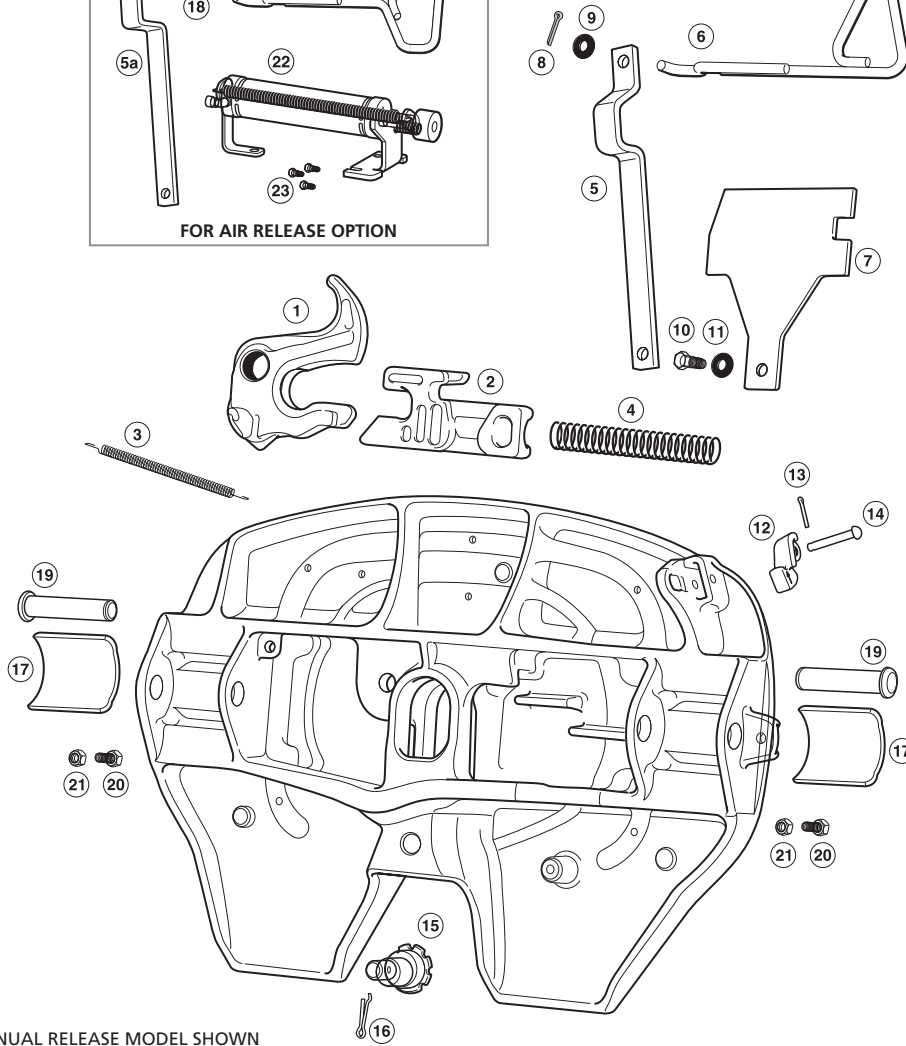
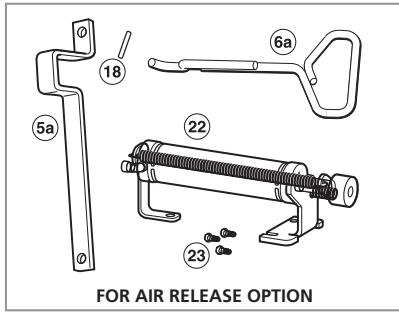


ITEM	DESCRIPTION	PART NO.
1	Hook	XA-10487-P
2	Lock	XA-10486-E-P
3	Cam, release	XA-10483-AL
4*	Plate, bottom	XA-11038
5	Handle s/a, release	XA-10495-AL-P
6	Spring, extension	XB-10489-P
7	Spring, extension	XB-10490-P
8	Spring, extension	XB-05843-1-P
9	Spring, extension	XB-10563-1-P
10*	Hhcs 5/8"-11 x 2"	XB-03553
11*	Washer, lock 5/8"	XB-T-99
12	Nut, lock 3/4"-16	XB-HNH-34-F
13	Hhcs 3/4"-16 x 2"	XB-05607-1
14	Hhcs, 1/2"-20 x 1-3/4"	XB-2083
15	Bushing, release cam	XA-10810-1
16	Washer, 1/2", stainless	XB-10294
17*	Hhcs 3/8"-16x 1"	XB-C-38-C-1
18*	Washer lock 3/8"	XB-T-61

ITEM	DESCRIPTION	PART NO.
19*	Support, handle	XA-11039-P
20*	Insert, pocket (qty 2)	RK-PKT-3
21*	Pin, bracket	XE-06356-P
22*	Nut, lock 1/2"-20	XB-T-69-A
23*	Hhcs 1/2"-20x 1-1/4"	XB-C-95
24	Insert, front lock	XD-10680-P
25	Lhscs, 3/8"-16&x 3/4" lg.	XB-02724-1
26	Keeper, insert	XA-10706-P
27	Pin, adjusting	XA-10364-3-AL-P
28	Ring, retaining 1-1/8"	XB-05855
29	Pin, lock"	XA-06344-AL
30	Ring, retaining 1-3/8"	XB-08905
31*	Kit, Low Lube plates	RK-331-1
32*	Nut, lock 5/16"-18"	XB-08931

* Parts not included in RK-AL-A-L Rebuild Kit.

If lube plates and pocket inserts are needed, order RK-AL-1.
 If lube plates are needed, order RK-331-1.
 If replacement lock and hook are needed, order RK-AL-11078.



MANUAL RELEASE MODEL SHOWN

ITEM	DESCRIPTION	PART NO.
1	Jaw	XA-4109939
2	Lock	4109931
3	Jaw Return Spring	1200101
4	Lock Spring	1200706
5	Lever Bar (Manual Pull)	4100373
5a	Lever Bar (Air Release)	XA-11113
6	Handle (Manual Pull)	XA-10990
6a	Handle (Air Release)	XA-11112
7	Cover Plate	XA-10969
8	Cotter Pin 3/16" x 1-1/4"	XB-11091
9	Washer 1/2"	XB-T-49
10	Hex Head Shoulder Bolt	XB-11127
11	Washer 5/8"	XB-T-199

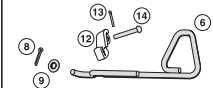
ITEM	DESCRIPTION	PART NO.
12	Lock Indicator	XD-11121
13	Cotter Pin 1/8" x 1-1/4"	84261
14	Indicator Pin	XB-10996
15	Eccentric Jaw Pin	XA-10971
16	Clinch Pin 3/16" x 1-1/4"	9900170
17	Pocket Insert (Qty 2)	RK-PKT-2
18	Roll Pin 3/16" x 1.15"	9900181
19	Bracket Pin	XE-06356
20	HHCS 1/2" - 20 x 1-1/4"	XB-C-95
21	Locknut 1/2" - 20	XB-T-69-A
22	Air Cylinder	XA-10999
23	HHCS 3/8" - 16 x 1/2"	XB-11027

Complete Rebuild Kit

Contains all items required to rebuild entire manual release FWS1

RK-FWS-A-L

Release Handle Kit



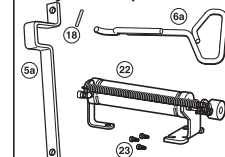
RK-10990

Jaw Kit



RK-4109939

Air Cylinder Replacement Kit

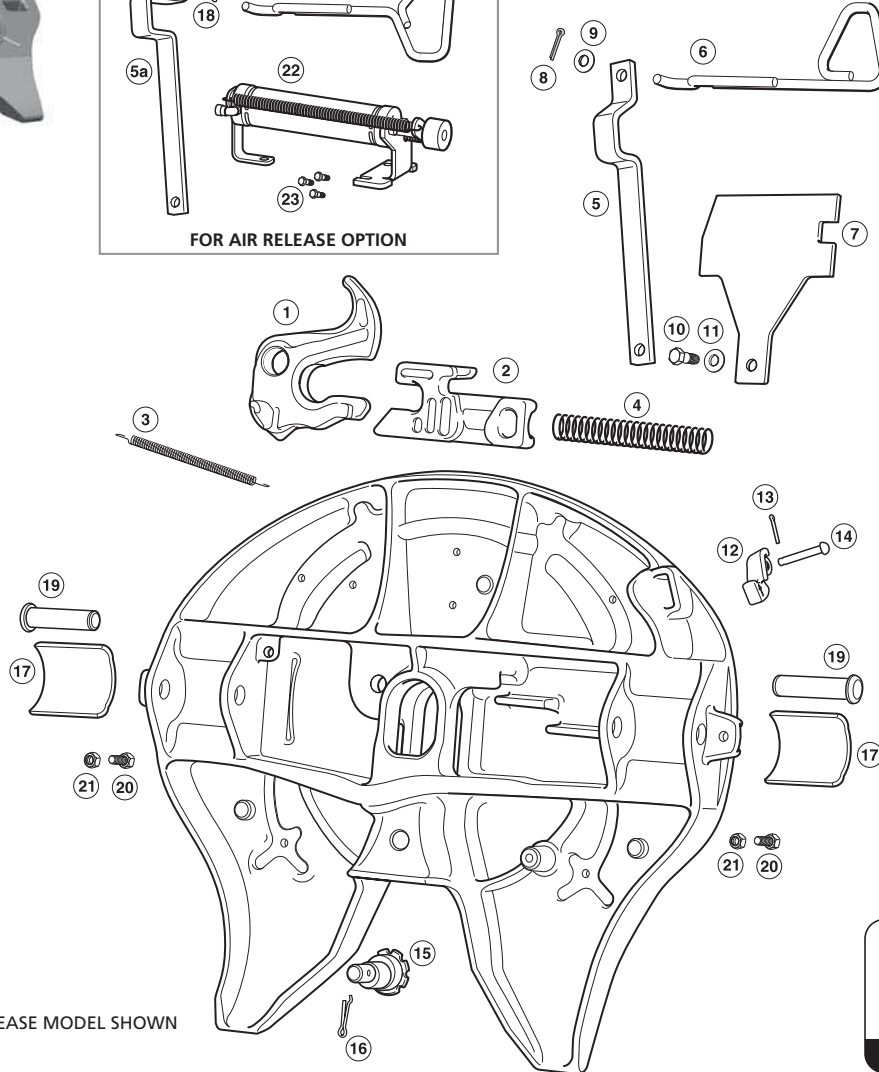
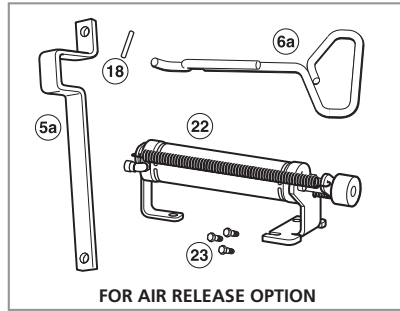
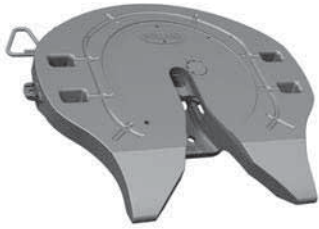


RK-10999

Holland FWS2 Series Parts List



SAF-HOLLAND Group



MANUAL RELEASE MODEL SHOWN

Complete Rebuild Kit

Contains all items required to rebuild entire manual release FWS2

RK-FWS-A-L

Release Handle Kit

RK-10990

Jaw Kit

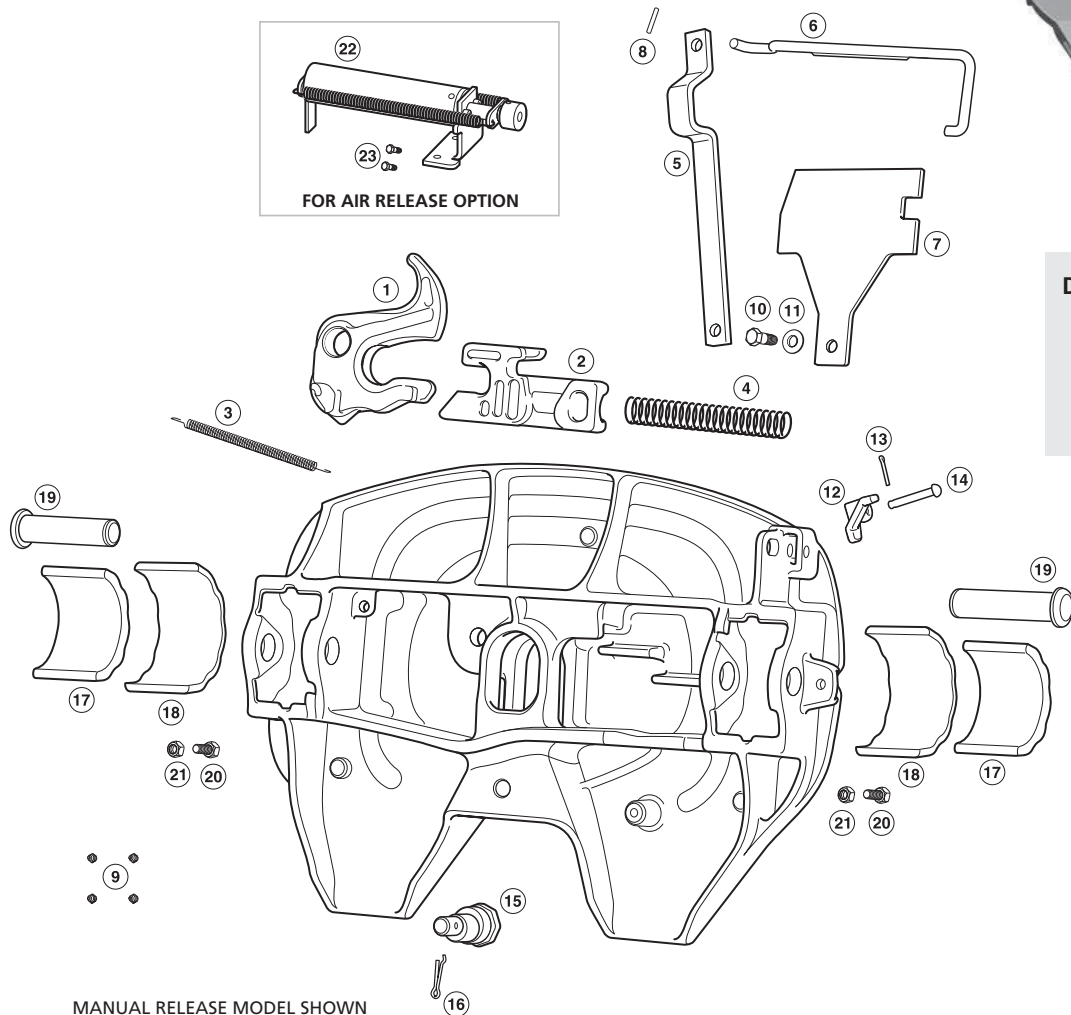
RK-4109939

Air Cylinder Replacement Kit

RK-10999

ITEM	DESCRIPTION	PART NO.
1	Jaw	XA-4109939
2	Lock	4109931
3	Jaw Return Spring	1200101
4	Lock Spring	1200706
5	Lever Bar (Manual Pull)	4100373
5a	Lever Bar (Air Release)	XA-11113
6	Handle (Manual Pull)	XA-10990
6a	Handle (Air Release)	XA-11112
7	Cover Plate	XA-10969
8	Cotter Pin 3/16" x 1-1/4"	XB-11091
9	Washer 1/2"	XB-T-49
10	Hex Head Shoulder Bolt	XB-11127
11	Washer 5/8"	XB-T-199

ITEM	DESCRIPTION	PART NO.
12	Lock Indicator	XD-11121
13	Cotter Pin 1/8" x 1-1/4"	84261
14	Indicator Pin	XB-10996
15	Eccentric Jaw Pin	XA-10971
16	Clinch Pin 3/16" x 1-1/4"	9900170
17	Pocket Insert (Qty 2)	RK-PKT-2
18	Roll Pin 3/16" x 1.15"	9900181
19	Bracket Pin	XE-06356
20	HHCS 1/2" - 20 x 1-1/4"	XB-C-95
21	Locknut 1/2" - 20	XB-T-69-A
22	Air Cylinder	XA-10999
23	HHCS 3/8" - 16 x 1/2"	XB-11027

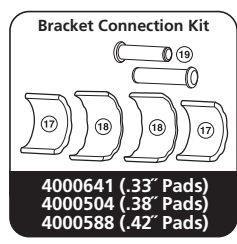
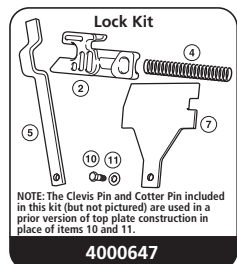
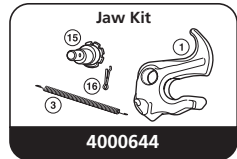
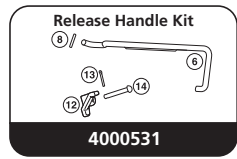


DISCONTINUED MODEL SERVICE PARTS ONLY
 Please contact Customer Service for part availability 888.396.6501

MANUAL RELEASE MODEL SHOWN

ITEM	DESCRIPTION	PART NO.
1	Jaw	XA-4109939
2	Lock	4109931
3	Jaw Return Spring	1200101
4	Lock Spring	1200706
5	Lever Bar	4100373
6	Handle	4100420
7	Cover Plate	XA-10969
8	Roll Pin	9900181
9	Grease Fitting	84787
10	Hex Head Shoulder Bolt	XB-11127
11	Washer 5/8"	XB-T-199
12	Lock Indicator	4100294
13	Cotter Pin 1/8" x 1-1/4"	84261

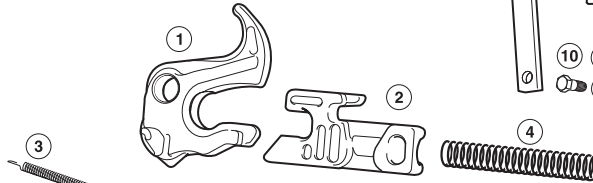
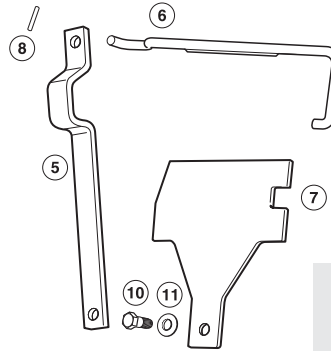
ITEM	DESCRIPTION	PART NO.
14	Indicator Pin	5400711
15	Eccentric Jaw Pin	4109921
16	Clinch Pin 3/16" x 1-1/4"	9900170
17	.33" Bracket Insert (Qty 2)	4000640
	.38" Bracket Insert (Qty 2)	4000528
	.42" Bracket Insert (Qty 2)	4000587
18	Bracket Shoe	4100328
19	Bracket Pin	5400705
20	HHCS 1/2" - 20 x 1-1/4"	XB-C-95
21	Locknut 1/2" - 20	XB-T-69-A
22	Air Cylinder	4100423
23	HHCS 3/8" - 16 x 3/4"	9900182



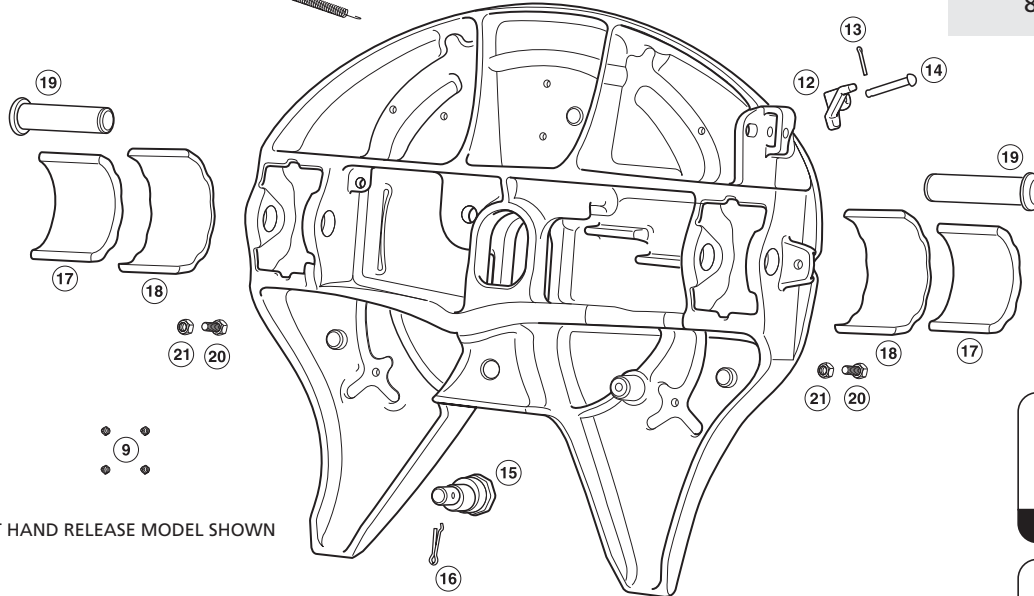
Holland Simplex II SE Series Parts List



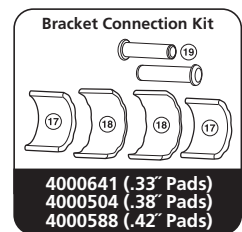
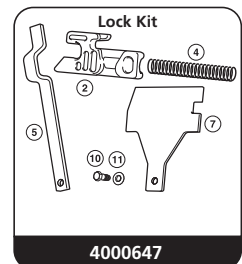
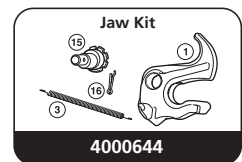
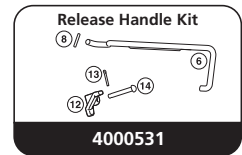
SAF-HOLLAND Group



DISCONTINUED MODEL SERVICE PARTS ONLY
Please contact Customer Service for part availability 888.396.6501



LEFT HAND RELEASE MODEL SHOWN



ITEM	DESCRIPTION	PART NO.
1	Jaw (LH) Jaw (RH)	XA-4109939 4109940
2	Lock (LH) Lock (RH)	4109931 4109809
3	Jaw Return Spring	1200101
4	Lock Spring	1200706
5	Lever Bar	4100373
6	Handle (LH / Air Release) Handle (RH)	4100420 4100448
7	Cover Plate	XA-10969
8	Roll Pin	9900181
9	Grease Fitting	84787
10	Hex Head Shoulder Bolt	XB-11127
11	Washer 5/8"	XB-T-199
12	Lock Indicator Lock Indicator (RH)	4100294 4300312

ITEM	DESCRIPTION	PART NO.
13	Cotter Pin 1/8" x 1-1/4"	84261
14	Indicator Pin	5400711
15	Eccentric Jaw Pin	4109921
16	Clinch Pin 3/16" x 1-1/4"	9900170
17	.33" Bracket Insert (Qty 2) .38" Bracket Insert (Qty 2) .42" Bracket Insert (Qty 2)	4000640 4000528 4000587
18	Bracket Shoe	4100328
19	Bracket Pin	5400705
20	HHCS 1/2" - 20 x 1-1/4"	XB-C-95
21	Locknut 1/2" - 20	XB-T-69-A
22	Air Cylinder	4100423
23	HHCS 3/8" - 16 x 3/4"	9900182



Current Simplex Fifth Wheels & Sliders

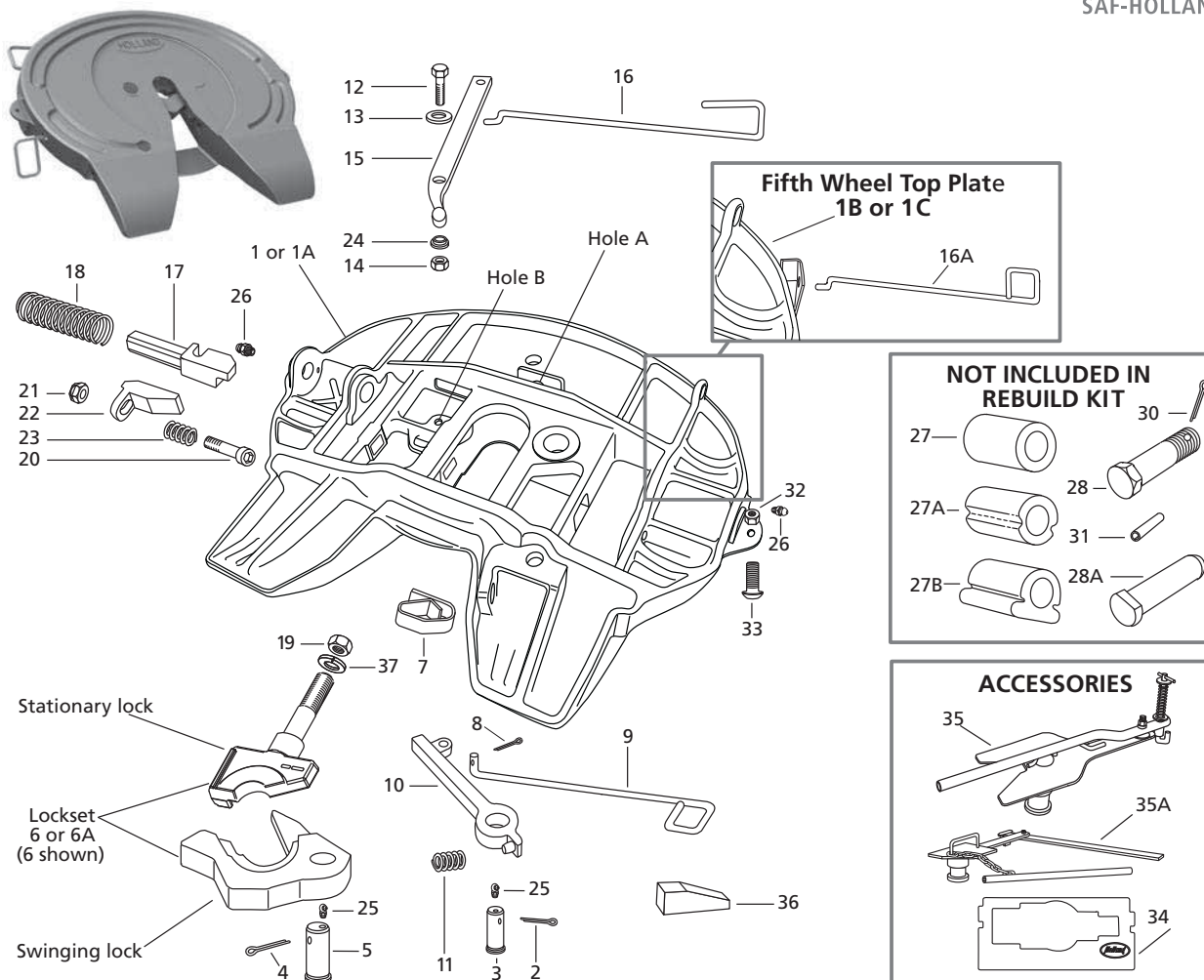
ITEM NO.	FIFTH WHEEL MODEL	SIMPLEX SE	SIMPLEX SE TOUCHLOC	SIMPLEX II SE	SIMPLEX II SE TOUCHLOC	SIMPLEX II SE RH* (RIGHT-HAND)	SIMPLEX II RH (RIGHT-HAND)	SIMPLEX YARD TRACTOR (SPOTTER)
1	Fifth Wheel Sub-Assembly	1040 2727 1040 2720	1060 2720	410 2727 410 2720	9502 720	1120 2720	1120 2700	4100 129 4100 219
2	Serial Number Prefix-	S1LS-	S1LT-	S2LS-	S2LT-	S2RS-	SR-	SA-
3	Replaced by Simplex Model	NA	NA	NA	NA	NA	II SE RH	NA
KIT NAMES AND NUMBERS								
4	Handle Kit (handle part number)	4000 507 (4100 382)	4000 531 (4100 420)	4000 507 (4100 382)	4000 531 (4100 420)	4000 646 (4100 448)	4000 512 (4100 441)	NA
5	Alternate Handle Kit (45° chamfer) (handle part number)	4000 531 (4100 420)	NA	4000 531 (4100 420)	NA	NA	NA	NA
6	Jaw w/ Standard Pin	4000 644	4000 644	4000 644	4000 644	4000 645	4000 503	4000 503
7	Jaw w/ Oversized Pin	NA	NA	NA	NA	NA	4000 523	4000 523
8	Jaw & Return Spring Retrofit	NA	NA	NA	NA	NA	4000 540	NA
9	Kingpin Gauge (Jaw Adjustment Tool)	4000 171	4000 171	4000 171	4000 171	4000 171	4000 171	4000 171
10	Lock	4000 647	4000 647	4000 647	4000 647	4000 648	4000 574	4000 574
11	** Standard pad: 0.38" thickness	4000 504	4000 504	4000 504	4000 504	4000 504	4000 504	NA
12	** Large pad: 0.42" thickness	4000 588	4000 588	4000 588	4000 588	4000 588	4000 588	NA
13	** Small Pad: 0.33" thickness	4000 641	4000 641	4000 641	4000 641	4000 641	4000 641	NA
14	** Simplex RH Pad: 0.58" thickness	NA	NA	NA	NA	NA	NA	4000 505
15	** Castloc & Castloc II	NA	NA	NA	NA	NA	NA	NA
16	** 400C	NA	NA	NA	NA	NA	NA	NA
17	Pad, Standard: 0.38" thickness	4000 528	4000 528	4000 528	4000 528	4000 528	4000 528	
18	Pad, Large: 0.42" thickness	4000 587	4000 587	4000 587	4000 587	4000 587	4000 587	NA
19	Pad, Small: 0.33" thickness	4000 640	4000 640	4000 640	4000 640	4000 640	4000 640	NA
20	Pad, Simplex RH: 0.58" thickness	NA	NA	NA	NA	NA	NA	4000 529
21	Touchloc Air Cylinder	NA	4000 273	NA	4000 273	NA	NA	4100 304
22	Shims, Poly (Castloc Series)	NA	NA	NA	NA	NA	NA	NA
23	Shims, Steel - weld to bracket	NA	NA	NA	NA	NA	NA	NA
BULK KITS - INDIVIDUAL PARTS (QUANTITY/KIT)								
24	Handle (5)	B4100 382	NA	B4100 382	NA	NA	B4100 441	NA
25	Indicator (5) (10 for 400C)	B4101 250	NA	B4101 250	NA	B4100 428	B4100 428	NA
26	Handle (45° Chamfer) (5)	B4100 420	B4100 420	B4100 420	B4100 420	NA	NA	NA
27	Indicator (45° Chamfer) (5)	B4100 294	B4100 294	B4100 294	B4100 294	NA	NA	NA
28	Lock Spring (5)	B1200 706	B1200 706	B1200 706	B1200 706	B1200 706	B1200 706	B1200 706
29	Jaw Return Spring (10)	B1200 101	B1200 101	B1200 101	B1200 101	B1200 101	NA	NA
30	Poly Shoes (10)	B4100 328	B4100 328	B4100 328	B4100 328	B4100 328	B4100 328	NA
31	Steel Shoes (10)	NA	NA	NA	NA	NA	NA	B4109 811
32	Pads, Standard, .38" (20)	B4100 329	B4100 329	B4100 329	B4100 329	B4100 329	B4100 329	NA
33	Pads, Large, .42" (20)	B4100 376	B4100 376	B4100 376	B4100 376	B4100 376	B4100 376	NA
34	Pads, Small, .33" (20)	B4100 339	B4100 339	B4100 339	B4100 339	B4100 339	B4100 339	NA
35	Pads, Simplex RH, .58" (20)	NA	NA	NA	NA	NA	NA	B4100 358
36	Poly Shims (20)	NA	NA	NA	NA	NA	NA	NA
37	Steel Shims (20) - weld to bracket		NA	NA	NA	NA	NA	B4100 655
		SE, TAPERLOC SE, TAPERLOC XL		TAPERLOC (4" INCREMENT)	INBOARD INTEGRAL			
38	Slider Model	TL2-	TL-	IBS-				
KIT NAMES AND NUMBERS								
39	Air Cylinder	4300 228	4300 162	4300 610				
40	Bolt-on removable stops	4300 227***	4300 209	4300 226***				
41	Slide Bracket air 6.81"	4300 298	4300 165	4300 596***				
42	Slide Bracket air 7.75"	4300 299	4300 166	4300 597***				
43	Slide Bracket air 8.75"	4300 300	4300 167	4300 598***				
44	Slide Bracket air 9.75"	NA	4300 172	NA				
45	Slide Bracket manual 6.81"	NA	4300 204	NA				
46	Slide Bracket manual 7.75"	NA	4300 205	NA				
47	Slide Bracket manual 8.75"	NA	4300 206	NA				
48	Slide Bracket manual 9.75"	NA	4300 173	NA				

** , bracket connection; ***, check for availability; NA, not applicable.

FW0070 Series Parts List



SAF-HOLLAND Group



ITEM	PART NO.	QTY.	DESCRIPTION
1	XA-71-DAP	1	Fifth wheel top plate for 2" kingpin
1A	XA-71-OAP	1	Fifth wheel top plate for 3.5" kingpin
1B	XA-71-03706	1	Fifth wheel top plate - 2" kingpin for FW2570-7103 series or FW2570-7113 series only
1C	XA-03711	1	Fifth whl. top plate - 3.5" kingpin for FW2570-7103 or FW2570-7113 series only
2	XB-5	1	Cotter pin 1/4" x 2"
3	XA-1016-C	1	Lock pin
4	XB-T-60	1	Cotter pin 1/4" x 2.5"
5	XA-FW-108-D	1	Lock pin
6	XA-FW-104-D	1	Lock set for 2" kingpin
6A	XA-FW-104-03	1	Lock set for 3.5" kingpin
7	XA-FW-128	1	Spring
8	XB-16	1	Cotter pin 1/8" x 1"
9	XA-FW-78	1	Secondary lock release handle
10	XA-FW-137-2	1	Secondary lock arm
11	XB-1028-2	1	Spring
12	XB-2083	1	Hex hd. bolt 1/2" - 20 x 1.75"
13	XB-T-49	1	Plain washer
14	XB-T-69-A	1	Hex lock nut
15	XA-1005-FH	1	Release lever
16	XA-1117-H	1	Release handle
16A	XA-03715	1	Release handle

ITEM	PART NO.	QTY.	DESCRIPTION
17	XA-1104	1	Plunger
18	XB-1007	1	Compression spring (red)
19	XB-04473	1	Jam nut 1" - 14
20	XB-09407	1	Socket head cap screw
21	XB-HNH-58-C	1	Lock nut 5/8" - 11
22	XD-3123-1	1	Adjusting wedge
23	XB-403	1	Compression spring
24	XB-02949	1	Nylon bushing
25	XB-0769	2	Lube fitting (90°)
26	XB-H-38	2	Lube fitting
* 27	XB-1604-9	2	Bushing (prior to 5/82)
* 27A	XB-0012-1	2	Bushing (5/82 - 9/87)
* 27B	XB-0012-3	2	Bushing (after 9/87)
* 28	XA-2632	2	Pivot bolt (prior to 11/86)
* 28A	XE-02759	2	Pivot pin (after 11/86)
* 29	XB-T-9N-2	2	Nut (prior to 11/86) (not shown)
* 30	XB-T-60	2	Cotter pin (prior to 11/86)
* 31	XB-21-S-375-1750	2	Roll pin
* 32	XB-T-69-A	2	Hex lock nut
* 33	XB-08002	2	Socket button head cap screw
* 34	TF-0110	1	Kingpin gage
* 35	TF-TLN-5001	1	2" kingpin lock tester
* 35A	TF-TLN-1500	1	3.5" kingpin lock tester
36	XA-05768-1	1	Adjusting block
37	XB-10327	1	Lock washer, 1"

* Not included in Rebuild Kits

Air Cylinder Table	
Top Plate Assembly	Air Cylinder Components
XA-351-03505	Items 20 and 22A
XA-351-03505-2	Items 20 and 22A
XA-351-03505-3	Item 22B, omit item 20
XA-351-03505-4	Items 20 and 22B
XA-351-UB	Items 20 and 22A

Bracket Components XA-351-03505 Series ONLY (not included) (RK-04413-1)

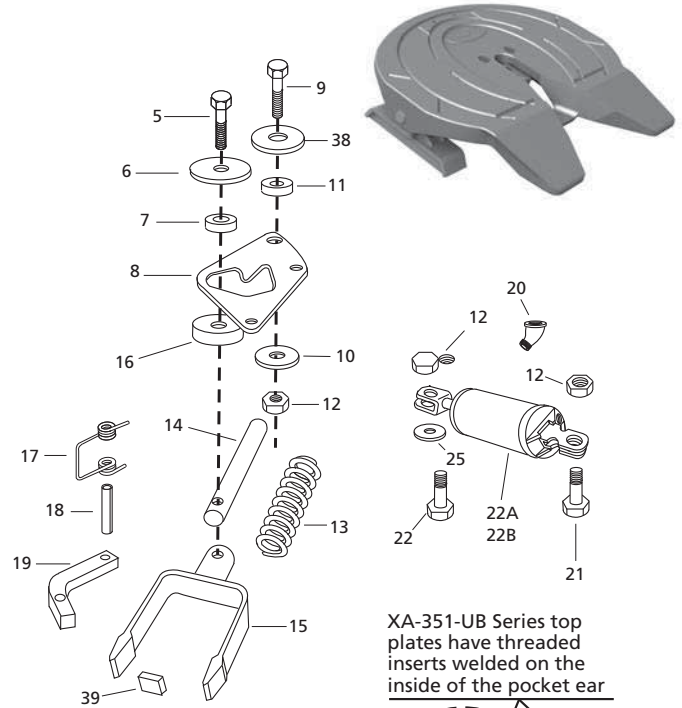
(2 of each required)

Accessories (not included)

Bracket Components XA-351-UB Series ONLY (not included)

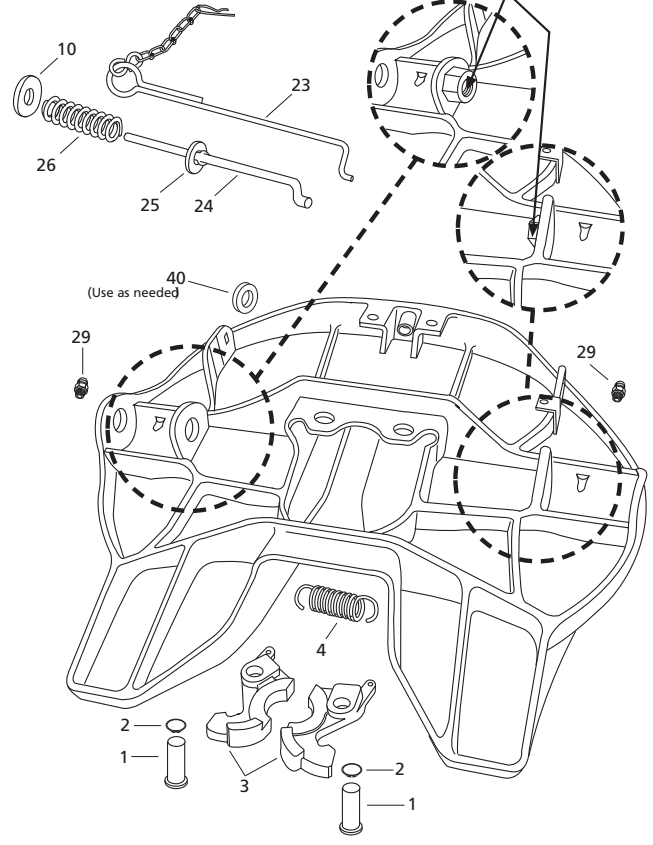
(2 of each required)

XA-351-03505 Series ONLY



XA-351-UB Series top plates have threaded inserts welded on the inside of the pocket ear

ITEM	PART NO.	QTY.	DESCRIPTION
• 1	XA-07292-1	2	Lock pin
• 2	XB-07398	2	Retaining ring
• 3	XA-08332-1	1	Lock jaw set
• 4	XB-07628	1	Extension spring
> 5	XB-10035	1	Hex head cap screw 5/8"-18 x 2"
> 6	XB-07431	1	Washer 5/8" I.D. x 2 3/4" O.D. x 3/4" thick
> 7	XA-1507-1	1	Roller 5/8" I.D.
> 8	XA-08988	1	Cam plate
9	XB-2083	1	Hex head cap screw 1/2"-20 x 1 1/4"
> 10	XB-08559	2	Washer 1/2" I.D. x 1 3/4" O.D.
11	XA-1029	1	Roller 1/2" ID
> 12	XB-T-69-A	3	Locknut 1/2"-20 (2 add'l req. for brackets)
13	XB-1505	1	Yoke spring
> 14	XA-1706-1	1	Yoke shaft
15	XA-07295	1	Yoke
> 16	XA-09040	1	Cam spacer
17	XB-2149	1	Torsion spring
18	XB-21-S-500-2750	1	Roll pin 1/2" x 2 3/4"
19	XA-3528	1	Secondary lock
20	XB-698	1	45° street elbow
> 21	XB-T-89-5	2	HHCS 1/2"-20 x 1 3/4" LG.
22A*	XA-2524-R-13-1	1	Air cylinder
22B*	XA-2524-R-13-4	1	Air cylinder
23	XA-3546	1	Secondary lock handle
> 24	XA-09041	1	Release handle
> 25	XB-PW-1732-1-116	2	Washer 1/2" I.D. x 1" O.D.
> 26	XB-07291	1	Compression spring
27**	XA-03423	2	Bracket bearing
28**	XA-0268	4	Bearing stop block
29	XB-H-38	2	Grease fitting
30***	XA-2016	2	Bracket pin
> 31***	XB-21-S-375-1750	2	Roll pin 3/8" x 1 3/4"
32***	XB-0011	2	Rubber bushing
33***	TF-0110	1	Kingpin gage
34***	TF-TLN-5001	1	Kingpin lock tester
35***	XB-BR-118-C-7	2	HHCS 1 1/8"-7 x 7"
36***	XB-E-536	2	Washer, lock 1 1/8"
37***	XB-1604-5	2	Rubber Bushing
> 38	XB-1030	1	Washer 1/2" I.D. x 2 1/4" O.D.
> 39	XA-09043	1	Yoke stop
> 40	XA-09039	1	Handle guide
> 41	XB-02967	1	Never-Seez (not shown)



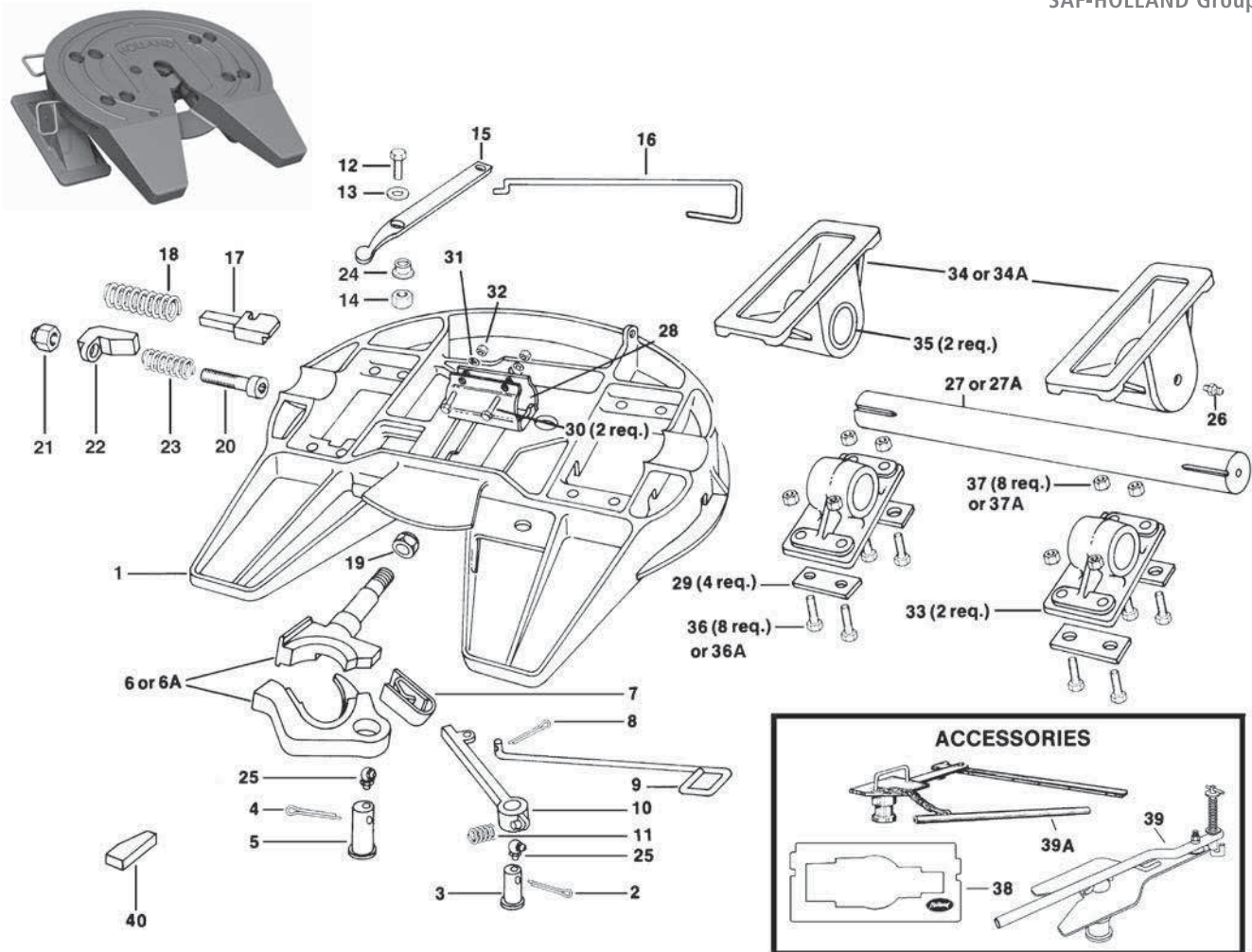
ALL PARTS LISTED ARE INCLUDED IN RK-351-03505 AND RK-351-UB, EXCEPT ITEMS 39 AND 40 AND AS LISTED BELOW:

- PARTS INCLUDED IN RK-351-08332-1
- > PARTS INCLUDED IN RK-09063
- * SEE AIR CYLINDER TABLE ABOVE FOR PROPER AIR CYLINDER COMPONENTS.
- ** INCLUDED IN RK-351-03505 ONLY.
- *** NOT INCLUDED IN REPAIR KITS, EXCEPT WHERE NOTED.

FW0100/FW0165 Series Parts List



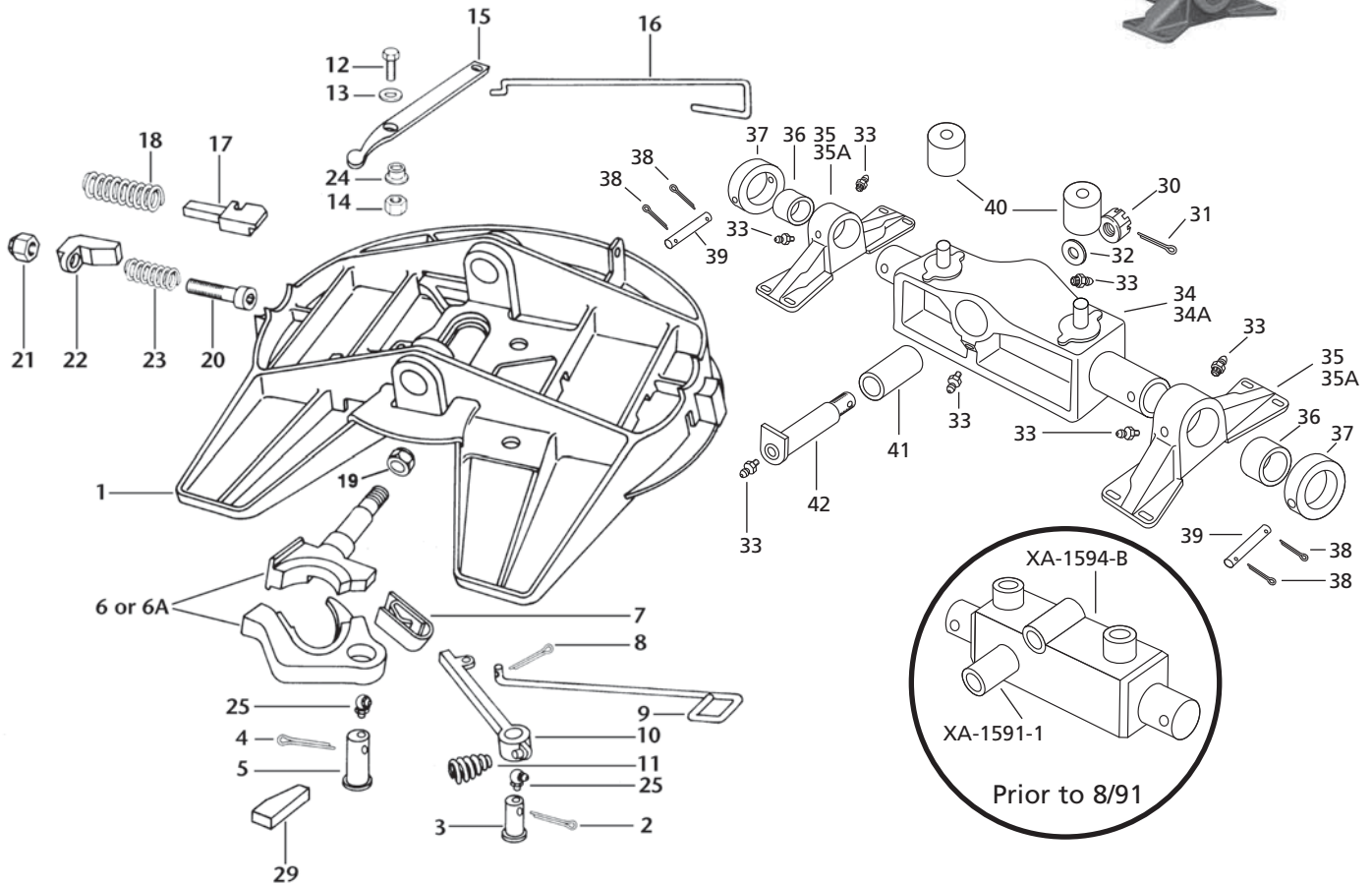
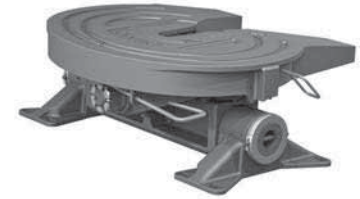
SAF-HOLLAND Group



ITEM	PART NO.	QTY.	DESCRIPTION
1	XA-101-D	1	Fifth wheel top plate – 2" kingpin – for FW0100
1A	XA-101-O	1	Fifth wheel top plate – 3-1/2" kingpin – for FW0100
1B	XA-0115-1	1	Fifth wheel top plate – 2" kingpin – for FW0165
1C	XA-0115	1	Fifth wheel top plate – 3-1/2" kingpin – for FW0165
2	XB-5	1	Cotter pin 1/4" x 2"
3	XA-1016-C	1	Lock pin
4	XB-T-60	1	Cotter pin 1/4" x 2-1/2"
5	XA-FW-108-D-1	1	Lock pin
6	XA-FW-104-D	1	Lock set for 2" kingpin
6A	XA-FW-104-03	1	Lock set for 3-1/2" kingpin
7	XA-FW-128	1	Spring
8	XB-16	1	Cotter pin 1/8" x 1"
9	XA-FW-138	1	Release handle
10	XA-FW-137-2	1	Secondary lock arm
11	XB-1028-2	1	Spring
12	XB-2083	1	Hex head cap screw 1/2" - 20 x 1-3/4"
13	XB-T-49	1	Plain washer
14	XB-T-69-A	1	Hex lock nut 1/2" - 20
15	XA-1005-FDS	1	Release lever
16	XA-1117-13	1	Release handle
17	XA-1104	1	Plunger
18	XB-1007	1	Compression spring (red)
19	XB-04473	1	Jam nut 1" - 14

ITEM	PART NO.	QTY.	DESCRIPTION
20	XB-2001	1	Socket head cap screw
21	XB-HNH-58-C	1	Lock nut 5/8" - 11
22	XD-3123-1	1	Adjusting wedge
23	XB-403	1	Compression spring
24	XB-02949	1	Bushing
25	XB-767-C	2	Lube fitting (45°)
*26	XB-H-38	2	Lube fitting
*27	XA-FW-106	1	Trunnion shaft – FW0100
*27A	XA-0114	1	Trunnion shaft – FW0165
*28	XA-FW-113-D	2	Truinnion shaft clamp
*29	XB-03371	4	Shims
*30	XB-772	2	Hex bolt 3/4" - 16 x 3
*31	XB-PW-1316-112	2	Washer – FW0100
*32	XB-769	2	Nut 3/4" - 16 – FW0100
*33	XA-FW-103	2	Truinnion shaft bracket
*34	XA-FW-102	2	Mounting bracket – 10" height
*34A	XA-FW-102-C	2	Mounting bracket – 9" height
*35	XA-FW-107	2	Bushing
*36	XB-08914	8	Bolt 7/8"-14 x 4" } After 8/97
*37	XB-T-307	8	Lock nut 7/8"-14 } check hole size
*36A	XB-FW-109	8	Hex head cap bolt 1"-8 x 4" } prior
*37A	XB-C-41	8	Lock nut 1"-8 } to 8/97
*38	TF-0110	1	Kingpin gage
*39	TF-TLN-5001	1	2" kingpin lock tester
*39A	TF-TLN-1500	1	3-1/2" kingpin lock tester
40	XA-05768	1	Adjusting block

* Not included in Rebuild Kits



ITEM	PART NO.	QTY.	DESCRIPTION
1	XA-2081-D1	1	Fifth wheel top plate - 2" kingpin
1A	XA-2081-03	1	Fifth wheel top plate - 3-1/2"kingpin
2	XB-5	1	Cotter pin 1/4" x 2"
3	XA-1016-C	1	Lock pin
4	XB-T-60	1	Cotter pin 1/4" x 2-1/2"
5	XA-FW-108-D	1	Lock pin
6	XA-FW-104-D	1	Lock set for 2" kingpin
6A	XA-FW-104-03	1	Lock set for 3-1/2" kingpin
7	XA-FW-128	1	Spring
8	XB-16	1	Cotter pin 1/8" x 1"
9	XA-FW-138	1	Release handle
10	XA-FW-137-2	1	Secondary lock arm
11	XB-1028-2	1	Spring
12	XB-2083	1	Hex head cap screw 1/2"-20x1-3/4"
13	XB-T-49	1	Plain washer
14	XB-T-69-A	1	Hex lock nut 1/2"-20
15	XA-1005-FDS	1	Release lever
16	XA-1117-13	1	Release handle
17	XA-1104	1	Plunger
18	XB-1007	1	Compression spring (red)
19	XB-04473	1	Jam nut 1"-14
20	XB-2001	1	Socket head cap screw
21	XB-HNH-58-C	1	Lock nut 5/8"-11
22	XD-3123-1	1	Adjusting wedge

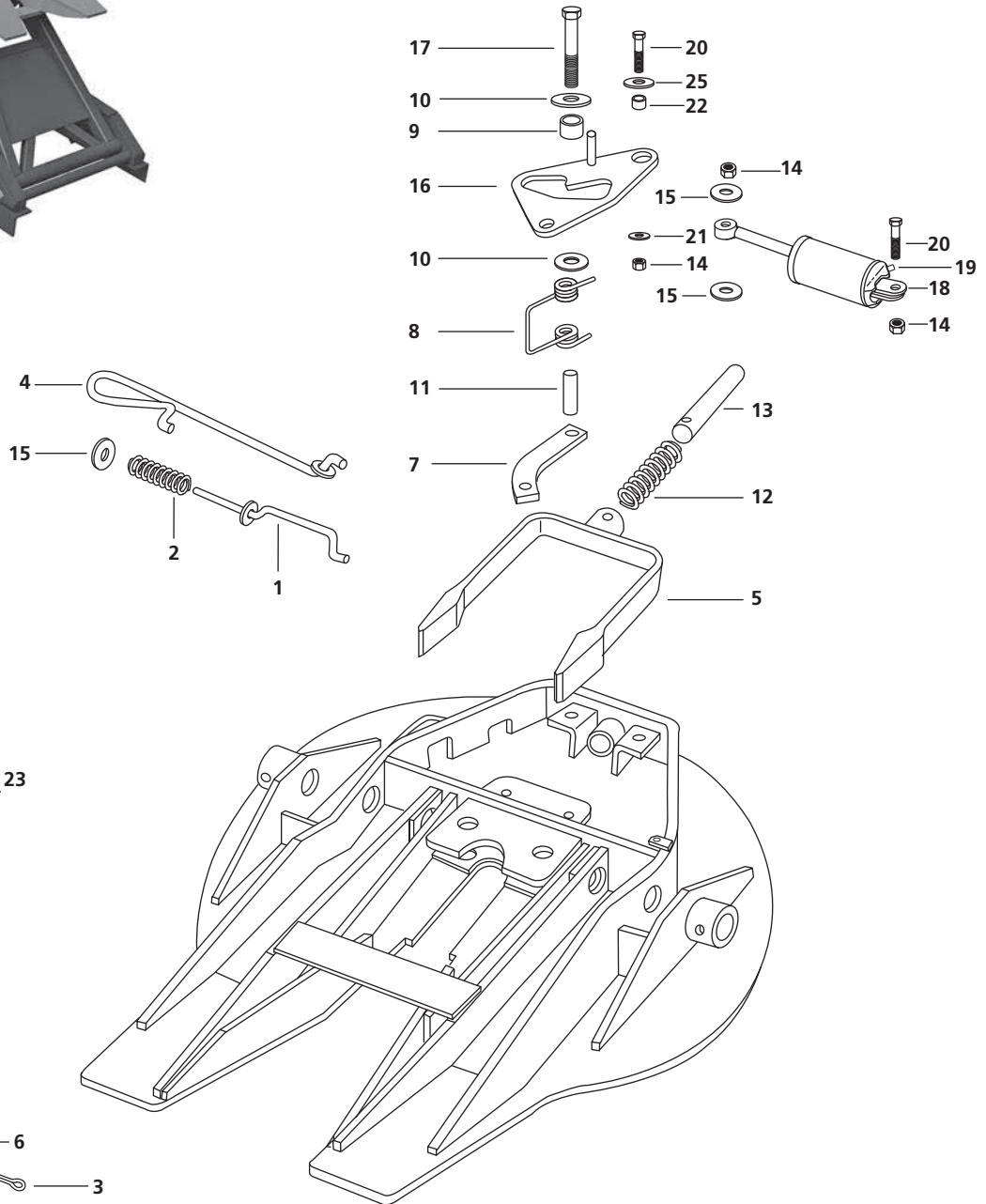
ITEM	PART NO.	QTY.	DESCRIPTION
23	XB-403	1	Compression spring
24	XB-02949	1	Bushing
25	XB-0769	2	Lube fitting (90°)
* 26	TF-0110	1	Kingpin gage
* 27	TF-TLN-1500	1	3-1/2" kingpin lock tester
* 28	TF-TLN-5001	1	2" kingpin lock tester
29	XA-05768	1	Adjusting block
30	XB-780-1	1	Hex slotted nut 2-1/4"-4-1/2" socket
31	XB-781-1	1	Cotter pin 5/16" x 3-1/2"
32	XA-782	1	Washer
33	XB-H-38	7	Grease zerk
34	XA-05952	1	Rocker arm only
34A	XA-05952-A	1	Rocker arm sub-assembly (includes grease zerks and bushing)
35	XA-1595	2	Bracket only
35A	XA-1595-A	2	Bracket sub-assembly (includes grease zerks and bushing)
36	XA-1596	2	Cast iron bushing
37	XA-1597	2	Collar
38	XB-382	4	Cotter pin 3/16" x 1-1/4"
39	XA-1584-2	2	Pin
40	XB-70	2	Rubber cushion
41	XA-06110	1	Cast iron bushing
42	XA-1589-1	1	Bolt subassembly

* Not included in Rebuild Kits

FW2800/FW2900 Series Parts List

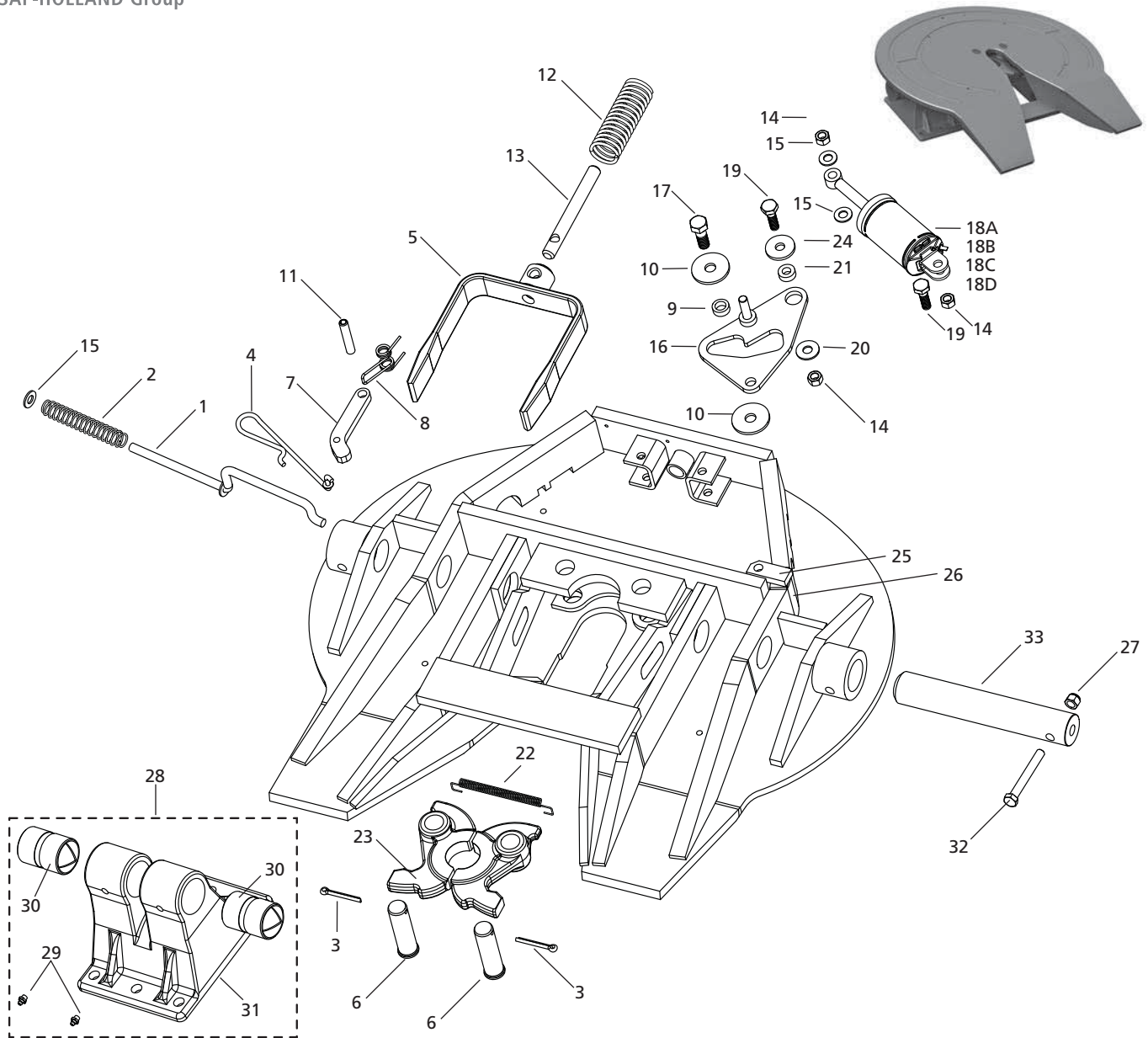


SAF-HOLLAND Group



ITEM	PART NO.	QTY.	DESCRIPTION
1	XA-1707-16	1	Handle S/A Release
2	XB-1028-1	1	Spring
3	XB-5	2	Cotter Pin, 1/4" x 2"
4	XA-3544-1-A	1	Handle S/A
5	XA-1703-F	1	Yoke
6	XA-1313	2	Lock Pin
7	XA-3528	1	Lock Bar
8	XB-2149	1	Torsion Spring
9	XA-1507-1	1	Cam Roller
10	XB-1030-1	2	Washer
11	XB-21-S-500-2750	1	Roll Pin
12	XB-1505	1	Spring
13	XA-1706-1	1	Yoke Shaft

ITEM	PART NO.	QTY.	DESCRIPTION
14	XB-T-69-A	3	Lock Nut, 1/2"-20
15	XB-PW-1732-1-116	3	Washer, 1/2"
16	XA-1705-11	1	Cam Plate S/A
17	XB-CX-58-F-134	1	HHCS, 5/8"-18 x 1-3/4"
18	XA-2524-R-13-X	1	Air Cyl. S/A for XA-2801-AX-1
19	XB-01996	1	90° Street Elbow
20	XB-2083	2	HHCS, 1/2"-20 x 1-3/4"
21	XB-T-49	1	Washer, 1/2"
22	XA-1029	1	Roller
23	XB-GT-13-1	1	Extension Spring
24	XA-1704-X	1	Lock Set
25	XB-10267	1	Washer, 9/16"



ITEM	PART NO.	QTY.	DESCRIPTION
1	XA-1707-16	1	Handle S/A Release
2	XB-1028-1	1	Spring
3	XB-5	2	Cotter Pin, 1/4" x 2"
4	XA-3544-1-A	1	Handle S/A
5	XA-1703-F	1	Yoke
6	XA-1313	2	Lock Pin
7	XA-3528	1	Lock Bar
8	XB-2149	1	Torsion Spring
9	XA-1507-1	1	Cam Roller
10	XB-1030-1	2	Washer
11	XB-21-5-500-2750	1	Roll Pin
12	XB-1505	1	Spring
13	XA-1706-1	1	Yoke Shaft
14	XB-T-69-A	3	Lock Nut, 1/2"-20
15	XB-PW-1732-1-116	3	Washer, 1/2"
16	XA-1705-11	1	Cam Plate S/A
17	XB-CX-58-F-134	1	HHCS, 5/8"-18 x 1 3/4"
18A	XA-2524-03185-4	1	Air Cyl. S/A for XA-2801-03185-4
18B	XA-2524-03185-4	1	Air Cyl. S/A for XA-2801-03185-3

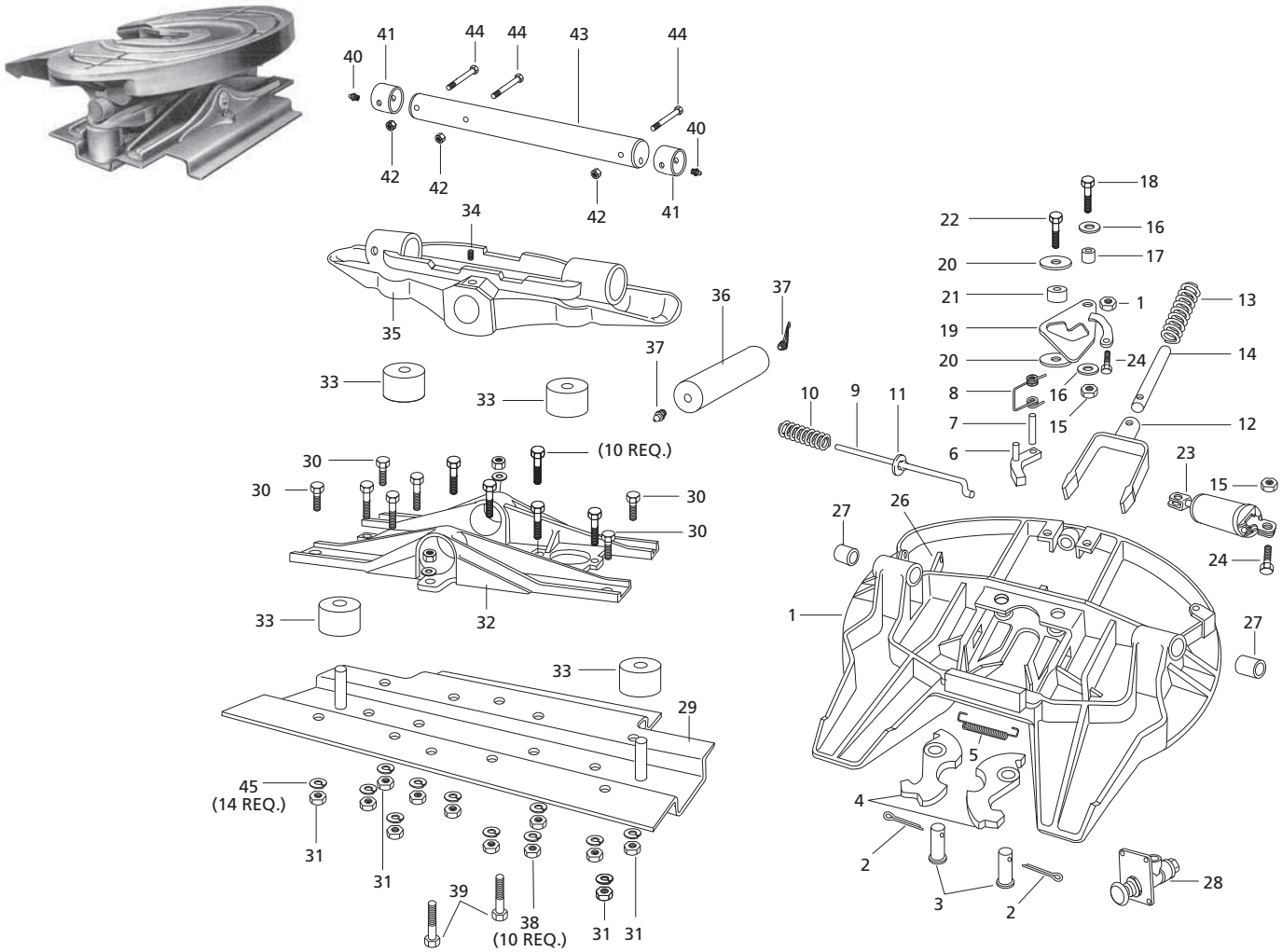
ITEM	PART NO.	QTY.	DESCRIPTION
18C	XA-2524-03185-1	1	Air Cyl. S/A for XA-2801-03185-2
18D	XA-2524-03185-1	1	Air Cyl. S/A for XA-2801-03185-1
19	XB-2083	2	HHCS, 1/2"-20 x 1 3/4"
20	XB-T-49	1	Washer, 1/2"
21	XA-1029	1	Roller
22	XB-GT-13-1	1	Extension Spring
23	XA-1704-X	1	Lock Set
24	XB-10267	1	Washer, 9/16"
25	XA-2836	1	Cylinder Support
26	XA-2836-1	1	Spacer
27*	XB-0103	2	Lock Nut, 1/2"-13
28*	XA-03189-1	2	Bracket S/A
29*	XB-H-38	4	Lub Fitting
30*	XA-0861	4	Bearing
31*	XA-03193-1	2	Bracket S/A
32*	XB-BR-12-C-4	2	HHCS, 1/2"-13 x 4"
33*	XA-2809	2	Pivot Shaft

* Not included in rebuild kit.

FW1560-C Parts List



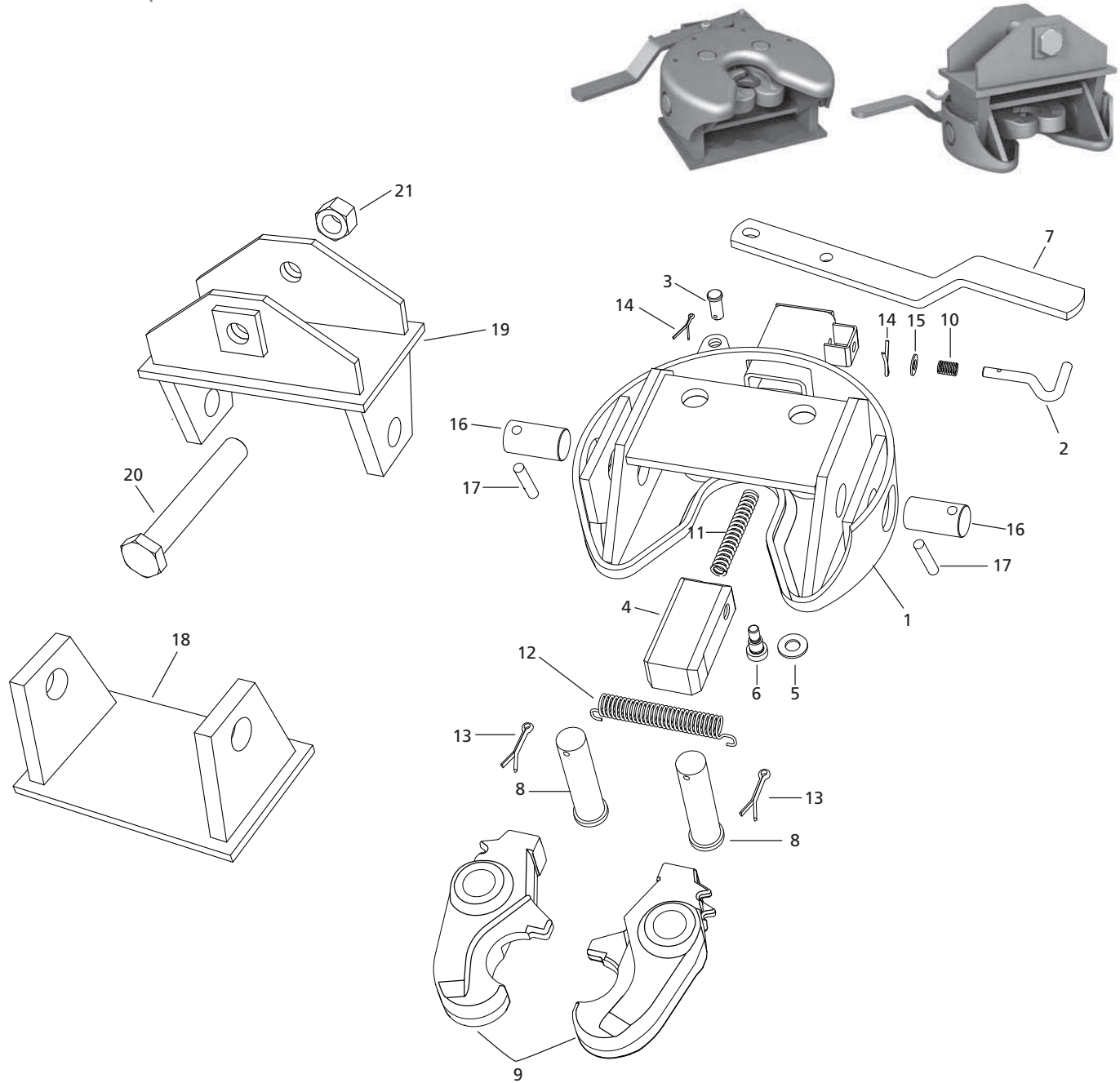
SAF-HOLLAND Group



ITEM	PART NO.	QTY.	DESCRIPTION
*1	XA-1501-CA1S	1	5th wheel sub assy. complete less base & shaft
2	XB-5	2	Cotter pin
3	XA-1313	2	Lock pins
4	XA-1704-X	1	Lock set
5	XB-GT-13-1	1	Extension spring
6	XA-3542-R	1	Secondary lock sub assy.
7	XB-21-S-500-2750	1	Rolled pin
8	XB-2149	1	Torsion spring
9	XA-1707-5	1	Handle
10	XB-1028-1	1	Spring
11	XB-PW-1732-1-116	1	Washer
12	XA-1703-F	1	Yoke
13	XB-1505	1	Spring
14	XA-1706-1	1	Yoke shank
15	XB-T-69-A	3	Lock nut 1/2" -20
16	XB-T-49	2	Plain washer
17	XA-1029	1	Roller
18	XB-2083	1	Hex bolt 1/2" -20 x 13/4"
19	XA-1705-7A	1	Cam plate
20	XB-1030-1	2	Washer
21	XA-1507-1	1	Roller
22	XB-CX-58-F-134	1	Hex bolt 5/8" -18 x 1 3/4"
23	XA-2524-R-4-1	1	Air cylinder

ITEM	PART NO.	QTY.	DESCRIPTION
24	XB-T-89-5	2	HHCS, 1/2"-20 x 1 3/4" LG
25	XA-1512	1	Cylinder support
26	XA-1532	1	Lever bracket
*27	XB-03429	2	Bearing
*28	XB-2556	1	Air control valve
*29	XA-H-15-C-60	1	Mounting plate sub assy.
*30	XB-9	4	Hex bolt 5/8" -18 x 1 1/2"
*31	XB-E-540	4	Hex nut 5/8" -18
*32	XA-61-A	1	Rocker bed
*33	XB-70	4	Rubber cushion
*34	XB-2896	1	Set screw
*35	XA-62	1	Rocker arm
*36	XA-63-1	1	Rocker pin
*37	XB-H-38	2	Lube fitting
*38	XB-1316	10	Hex nut 5/8" -11
*39	XB-T-97	10	Hex bolt 5/8" -11 x 2 1/2"
*40	XB-767	2	Lube fitting
*41	XA-H-72-A	2	Collar
*42	XB-338	3	Nut 3/8" -16
*43	XA-64	1	Shaft
*44	XB-03437	3	Hex bolt 3/8" -16 x 3 1/2"
*45	XB-T-99	14	Lock washer
46	XB-02967	1	NeverSeez (not shown)

* Items are not included in rebuild kit RK-65005.



ITEM	PART NO.	QTY.	DESCRIPTION
1	BFW0100	1	Fifth Wheel Housing
2	XB-BFW0118	1	Safety Lock Handle
3	XB-CLP-052-26	1	Clevis Pin 1/2" x 1-1/6"
4	XB-BFW0170-01	1	Locking Block
5	XB-PW-016-17	1	Flat Washer 1-1/16" OD
6	XB-SHS-007-02	1	Shoulder Screw 1/2" x 1/2"
7	BFW0122	1	Trip Lever
8	XB-CLP-052-25	2	Clevis Pin 1" x 4"
9	XB-BFW0172	2	Coupling Jaw
10	XB-SPG-020-06	1	Compression Spring
11	XB-SPG-202-08	1	Compression Spring
12	XB-SPG-020-21	1	Extension Spring

ITEM	PART NO.	QTY.	DESCRIPTION
13	XB-CTP-014-59	2	Cotter Pin 3/16" x 1-1/2"
14	XB-CTP-014-51	2	Cotter Pin 1/2" x 3/4"
15	XB-PW-016-03	1	Flat Washer 3/8"
16	BFW0173	2	Clevis Pin 1-1/4"
17	XB-BFW0118	1	Safety Lock Handle
18	BFW0101	1	Attaching Plate
19	BFW0104-35	1	Swivel Mount Plate 3-1/2"
	BFW0104-40	1	Swivel Mount Plate 4"
	BFW0104-45	1	Swivel Mount Plate 4-1/2"
20	XB-SP0050-73	1	Hex Cap Screw 1"-14 x 6"
	XB-SP0050-97	1	Hex Cap Screw 1"-14 x 6-1/2"
	XB-HHC-050-52	1	Hex Cap Screw 1"-14 x 7"
21	XB-SLN-012-46	1	Lock Nut 1"-14

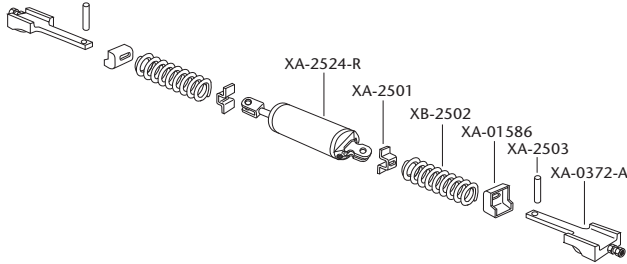
FW8, FW35, FW2500 & FW2535 Series Slide Bracket Parts

Manufactured AFTER May 1, 1982

SAF-HOLLAND Group

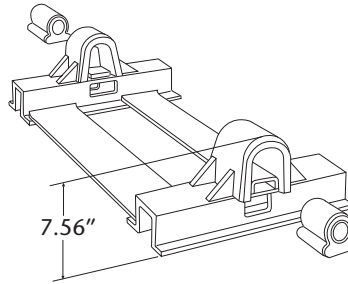
AIR RELEASE

8.62" and 7.62" Fifth Wheel Heights
8.12" and 6.62" Fifth Wheel Heights for FW8



AIR & MANUAL RELEASE

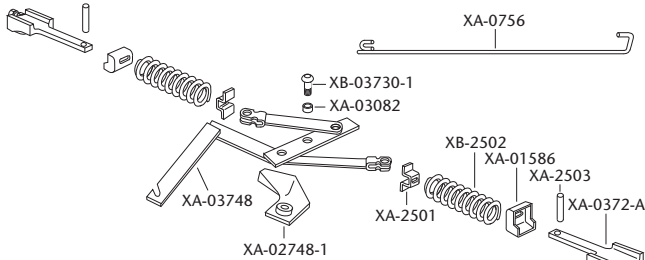
8.62" Fifth Wheel Heights



Brackets are available only as part of complete bracket assemblies – XA-7001 (air) or XA-7011 (manual). Rubber bushings included.

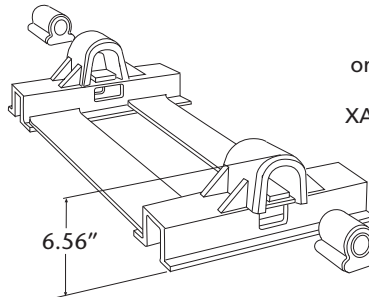
MANUAL RELEASE

All Fifth Wheel Heights



AIR & MANUAL RELEASE

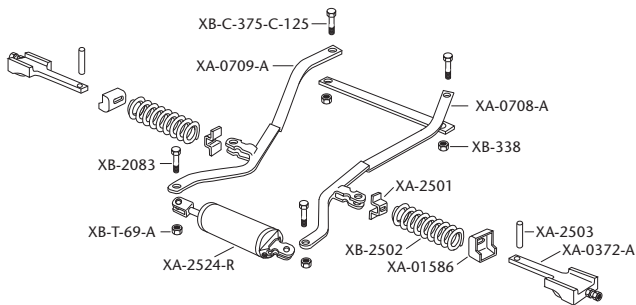
7.62" Fifth Wheel Heights



Brackets are available only as part of complete bracket assemblies – XA-7002 (air) or XA-7012 (manual). Rubber bushings included.

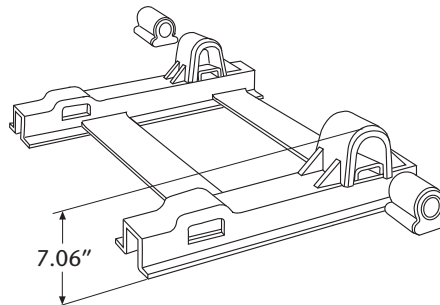
AIR RELEASE

8.12" and 6.62" Fifth Wheel Heights for FW35

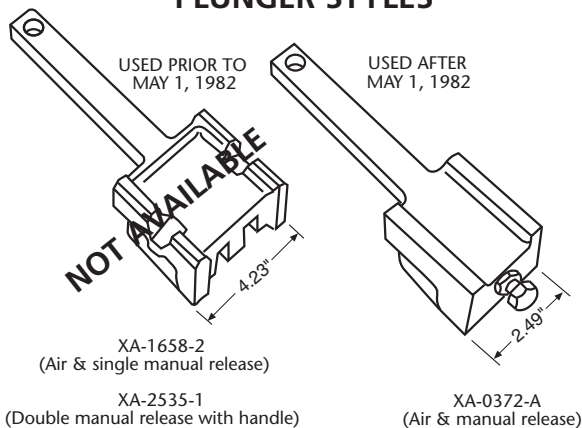


AIR & MANUAL RELEASE

8.12" Fifth Wheel Heights

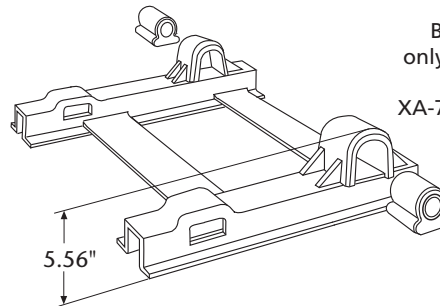


PLUNGER STYLES



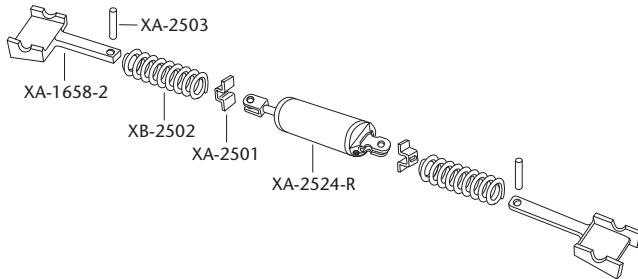
AIR & MANUAL RELEASE

6.62" Fifth Wheel Heights

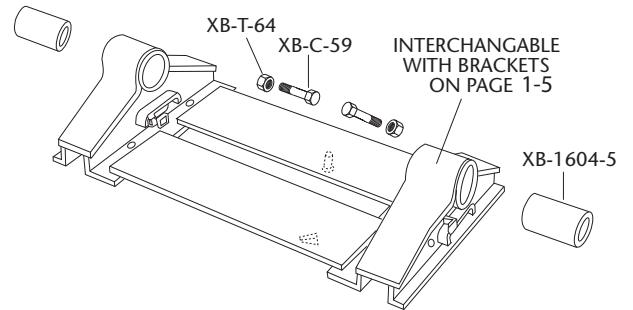


Brackets are available only as part of complete bracket assemblies – XA-7003 (air) or XA-7013 (manual). Rubber bushings included.

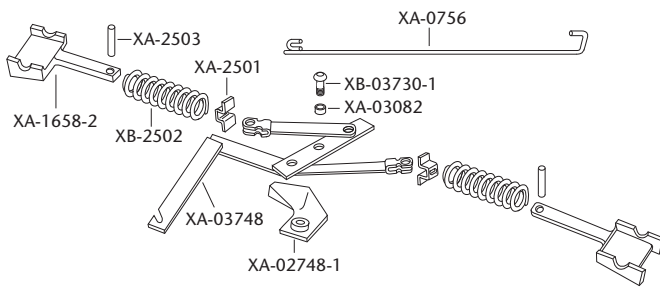
AIR RELEASE 8.69" and 7.69" Fifth Wheel Heights



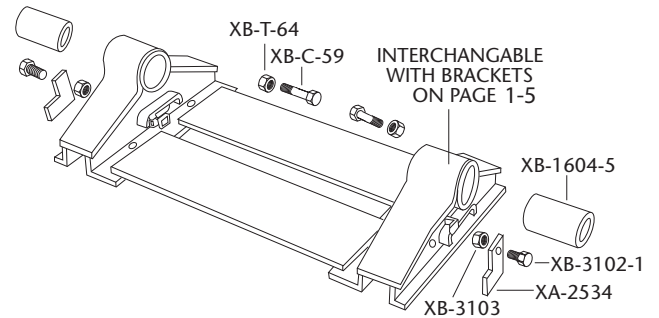
AIR & SINGLE MANUAL RELEASE 8.69" & 7.69" Fifth Wheel Heights



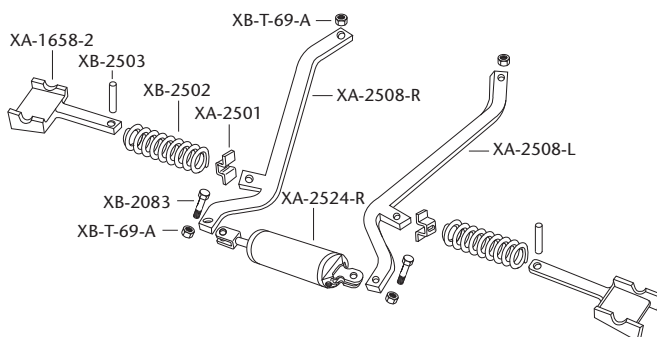
SINGLE MANUAL RELEASE All Fifth Wheel Heights



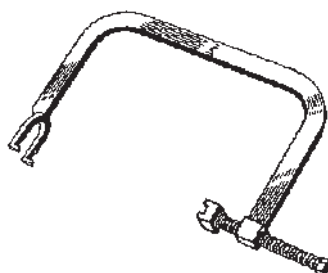
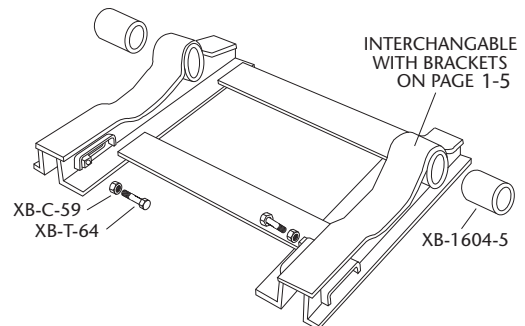
DOUBLE MANUAL RELEASE



AIR RELEASE 6.75" Fifth Wheel Heights

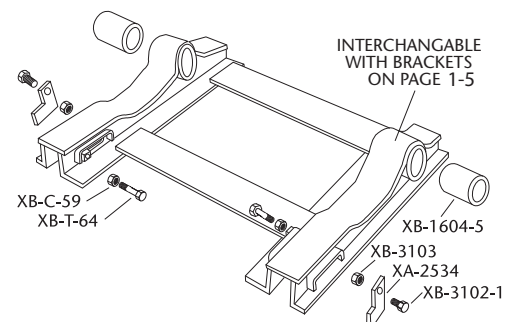


6.75" Fifth Wheel Heights



TF-TLN-2500
Slider Spring
Compressor
Slider Bracket
Maintenance Tool

DOUBLE MANUAL RELEASE 6.75" Fifth Wheel Heights

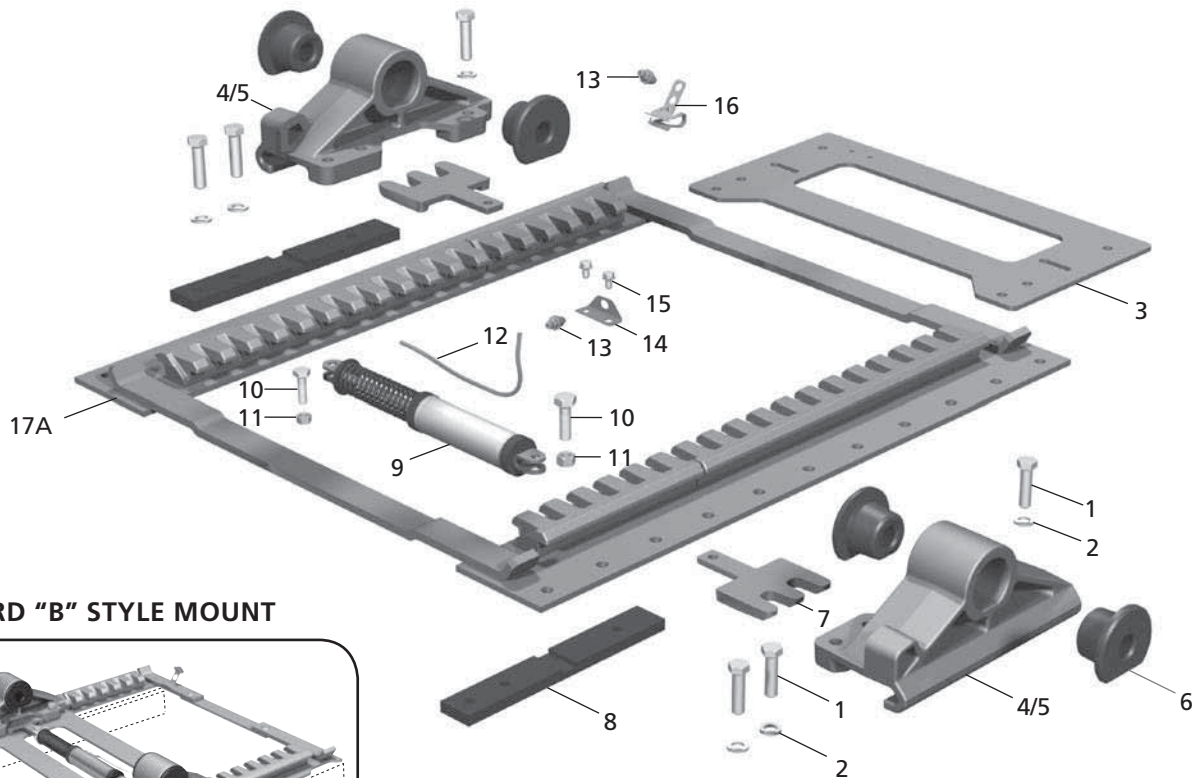


ILS Slider Replacement Parts

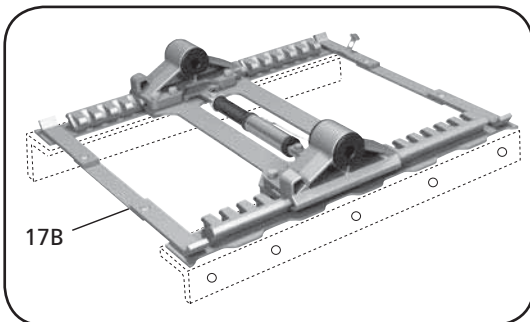
Outboard "A" Style Mount and Inboard "B" Style Mount

MOUNTING HEIGHTS: 7", 8" & 9"

TRAVEL LENGTHS: 12", 24", 36" & 48"



INBOARD "B" STYLE MOUNT



ITEM	PART NO.	DESCRIPTION	QTY.
1*	XB-HCS-M16-60-Z	Bracket Bolts - 16mm x 60mm	6
2*	XB-LW-M16-Z	Lock Washer - 16mm	6
3	XA-10606-1	Slide Bracket Plate	1
4 / 5	RK-10689-1	LH & RH Slide Bracket Kit - 7"	1
	RK-10689-2	LH & RH Slide Bracket Kit - 8"	1
	RK-10689-3	LH & RH Slide Bracket Kit - 9"	1
6*	XB-10605	Bracket Cushions	4
7	XA-10604-1	Locking Plungers	2
8*	XA-10711-1	Stop Blocks	2
9**	XA-10700	Air Cylinder	1
10**	XB-2083	Bolt - 1/2"-20 x 1-3/4"	2
11**	XB-T-69-A	Lock Nut - 1/2"-20	2

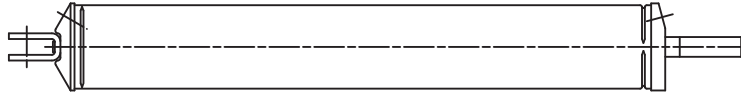
Available
in Kit:
RK-10700

ITEM	PART NO.	DESCRIPTION	QTY.
12	XB-10809	Air Line Tubing - 1/4" OD	1
13	XB-11298	Quick-Connect Bulkhead Union - 1/4"	2
14	XB-11297	Air Line Bracket	1
15	XB-10814	Cutting Screw - 3/8"-16 x 5/8" Thread	2
16	XA-10736	Air Line Stand-Off Clip	1
17A	XA-A12	Outboard Slide Base Sub-Assembly - 12" Travel	1
	XA-A24	Outboard Slide Base Sub-Assembly - 24" Travel	1
	XA-A36	Outboard Slide Base Sub-Assembly - 36" Travel	1
	XA-A48	Outboard Slide Base Sub-Assembly - 48" Travel	1
17B	XA-B12X	Inboard Slide Base Sub-Assembly - 12" Travel	1
	XA-B24X	Inboard Slide Base Sub-Assembly - 24" Travel	1
	XA-B36X	Inboard Slide Base Sub-Assembly - 36" Travel	1
	XA-B48X	Inboard Slide Base Sub-Assembly - 48" Travel	1

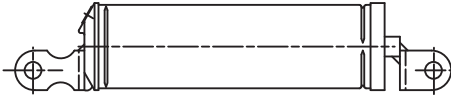
* Included in Bracket Replacement Kit

** Included in Air Cylinder Kit - RK-10700

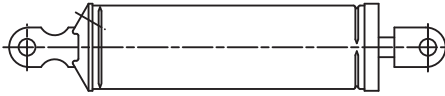
XA-2524-R-12



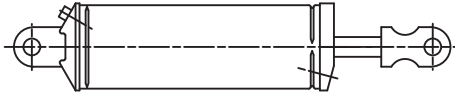
XA-2524-R1



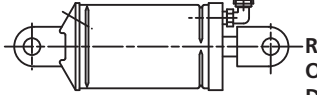
XA-2524-R



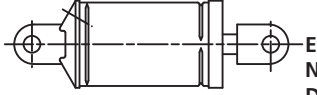
XA-2524-R-2



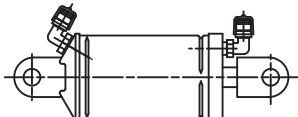
XA-2524-R-13-2



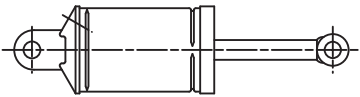
XA-2524-R-13-1



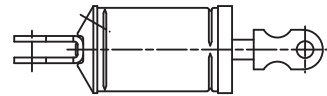
XA-2524-R-13-3



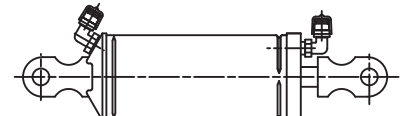
XA-2524-R-13-X



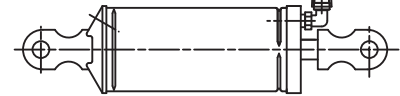
XA-2760-R-1



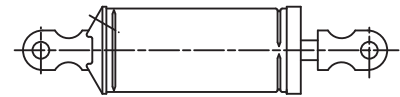
XA-2524-R-4-3



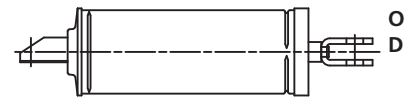
XA-2524-R-4-2



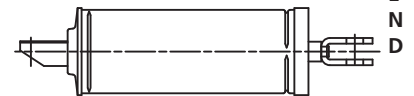
XA-2524-R-4-1



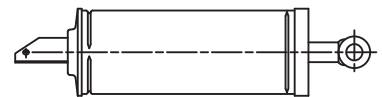
XA-2524-R-15-L



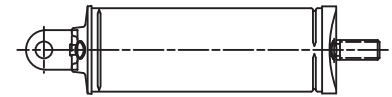
XA-2524-R-15-R



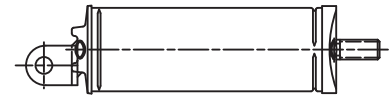
XA-2524-R-16-L



XA-2524-07237



XA-2524-07237-1



B
L
I
N
D

E
N
D

B
L
I
N
D

E
N
D

R
O
D

E
N
D

Additional Air Cylinders
may be available.
Contact
SAF-HOLLAND
Customer Service for
more information.

HOLLAND PART NO.	HOLE-TO-HOLE DIM.		STROKE REF	AIR INLET	USED ON
	EXTENDED	RETRACTED			
XA-2524-R-13-2	9.649"	9.464"	7.613" 7.473"	2.02"	Blind End FW1500, FW3500
XA-2524-R-13-3	9.649"	9.464"	7.613" 7.473"	2.02"	Blind End FW1500, FW3500
XA-2524-R-12	38.742"	38.556"	22.680" 22.496"	16.06"	Both Ends TF-675
XA-2524-R	19.650"	19.171"	12.750" 12.506"	6.77"	Blind End Sliding 5th Wheels
XA-2524-R-2	18.560"	18.171"	12.750" 12.506"	5.74"	Rod End FW0070, FW0100, & FW2080
XA-2524-R-4-3	14.108"	13.863"	10.452" 10.252"	3.64"	Blind End XA-2801-03185-4
XA-2524-R-4-2	14.108"	13.863"	10.452" 10.252"	3.64"	Blind End XA-2801-03185-3
XA-2524-R-4-1	14.108"	13.863"	10.452" 10.252"	3.64"	Blind End FW1560 Series
XA-2524-R-13-X	11.690"	11.280"	9.570" 9.385"	1.99"	Blind End FW2800 Series, FW2900
XA-2760-R-1	10.840"	10.361"	8.720" 8.476"	1.99"	Blind End FW1580
XA-2524-R-13-1	9.649"	9.464"	7.613" 7.473"	2.02"	Blind End FW1500, FW3500
XA-2524-R-16-L	13.95" REF	9.05" REF	4.89"	4.89"	Blind End OPT. CODE 80
XA-2524-R-15-R	13.95" REF	9.05" REF	4.89"	4.89"	Blind End XA-3501-06533
XA-2524-R-15-L	13.95" REF	9.05" REF	4.89"	4.89"	Blind End XA-3501-06533
XA-2524-07237-1	15.782"	15.598"	10.625" 10.468"	5.13"	Both Ends FW503 (Obsolete)
XA-2524-07237	15.782"	15.598"	10.625" 10.468"	5.13"	Both Ends FW503 (Obsolete)
XA-2524-R1	19.650"	19.171"	12.750" 12.506"	6.77"	Blind End Warranty



Holland Fifth Wheel Kit 'Quick List'

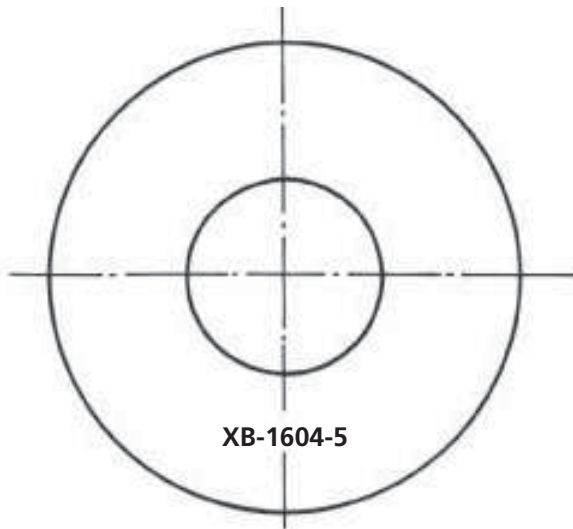
SAF-HOLLAND Group

PRODUCT	TOP PLATE	REBUILD KIT	LOCK GUARD	LOCK KIT	HANDLE KIT	BUSHING/PIN KIT	AIR CYLINDER
FW3500 (Stationary)	XA-3501-A-LH (LH) XA-3501-A-RH (RH)	RK-63501 (LH) RK-63500 (RH)	RK-05329	RK-63503	RK-1707-M (LH) RK-1707-6 (RH)	RK-04413	-
FW2535 (Sliding)	XA-3501-A-LH (LH) XA-3501-A-RH (RH)	RK-63501 (LH) RK-63500 (RH)	RK-05329	RK-63503	RK-1707-M (LH) RK-1707-6 (RH)	RK-04413	XA-2524-R
FW2000 (Stationary)	XA-2009-A-LH (LH) XA-2009-A-RH (RH)	RK-62001 (LH) RK-62000 (RH)	RK-05328	RK-62004	RK-1117-1-L (LH) RK-1117-1 (RH)	RK-04413	-
FW2500 (Sliding)	XA-2009-A-LH (LH) XA-2009-A-RH (RH)	RK-62001 (LH) RK-62000 (RH)	RK-05328	RK-62004	RK-1117-1-L (LH) RK-1117-1 (RH)	RK-04413	XA-2524-R
FW2555 (Sliding)	XA-71-DAS	RK-65014	-	RK-65024	-	-	-
FW2570 (Heavy Duty Sliding)	XA-71-DAS	RK-65014	-	RK-65024	-	-	-
FW35 (Stationary)	XA-351-A-L-P (LH) XA-351-A-P (RH)	RK-351-A-L (LH) RK-351-A (RH)	N/A	RK-351-07296	XA-07151-1	RK-06973-1	-
FW35 (Sliding)	XA-351-A-L-P (LH) XA-351-A-P (RH)	RK-351-A-L (LH) RK-351-A (RH)	N/A	RK-351-07296	XA-07151-1	RK-06973-1	XA-2524-R
FW35-89xx (No-tilt Stationary)	XA-351-A-06-L-P	RK-351-A-L	N/A	-	-	-	-
FW35-7401 (No-tilt Sliding)	XA-351-A-06-L-P	RK-351-A-L	N/A	-	XA-07151-1	RK-06973-1	XA-2524-R
FW35-8401 (No-tilt Sliding)	XA-351-A-06-L-P	RK-351-A-L	N/A	-	XA-07151-1	RK-06973-1	-
FW8 (Stationary)	XA-201-A-L-P (LH) XA-201-A-P (RH)	RK-201-A3-L (LH) RK-201-A3 (RH)	N/A	N/A	N/A	RK-06973-1	-
FW8 (Sliding)	XA-201-A-L-P (LH) XA-201-A-P (RH)	RK-201-A3-L (LH) RK-201-A3 (RH)	N/A	N/A	N/A	RK-06973-1	XA-2524-R
FW17 (Stationary)	XA-17-A-L-P	RK-17-A-L	N/A	RK-171-11078	RK-171-11079	-	-
FW17 (Sliding)	XA-17-A-L-P	RK-17-A-L	N/A	RK-171-11078	RK-171-11079	-	XA-2524-R
FW6700-16B (Air Elevating)	XA-3501-UB	RK-63502	N/A	RK-63504	-	-	-
FW67-16B (Air Elevating)	XA-351-UB-P	RK-351-UB	N/A	-	-	-	-
FW35-03344 (Yard Spotter)	XA-351-035055	RK-351-03505	N/A	N/A	-	-	XA-2524-R-13-1
FW35-03344-1 (Yard Spotter)	XA-351-035055	RK-351-03505	N/A	N/A	-	-	XA-2524-R-13-1
FW2870-03184 (Yard Spotter)	XA-2801-03185-1		N/A	RK-03185-1	-	-	XA-2524-R-4-1
FW1560 (Side Oscillating)	XA-1501-CA1S	RK-65005	N/A				
FW0100-D (Heavy Duty (2" KP*))	XA-101-DAS	RK-65012	N/A	RK-65024			N/A
FW0100-0 (Heavy Duty (3.5" KP*))	XA-101-OAS	RK-65013	N/A	RK-65024-1			N/A
FW0070 (Heavy Duty (2" KP*))	XA-71-DAS	RK-65014	N/A	RK-65024			N/A
FW0070 (Heavy Duty (3.5" KP*))	XA-71-OAS	RK-65015	N/A	RK-65024-1			N/A
FW2800-X (Hydraulic Lift)	XA-2801-AX-1S	RK-65021	N/A	N/A			
FW2900-X (Hydraulic Lift)	XA-2801-AX-1S	RK-65021	N/A	N/A			
FW1580		XA-1581-A-1	RK-65006	-	-	-	-
FW2870-03184		XA-2801-03185-1S	RK-03185-1	-	-	-	XA-2524-R-4-1

(LH) Left Hand Release.
(RH) Right Hand Release
KP* Kingpin

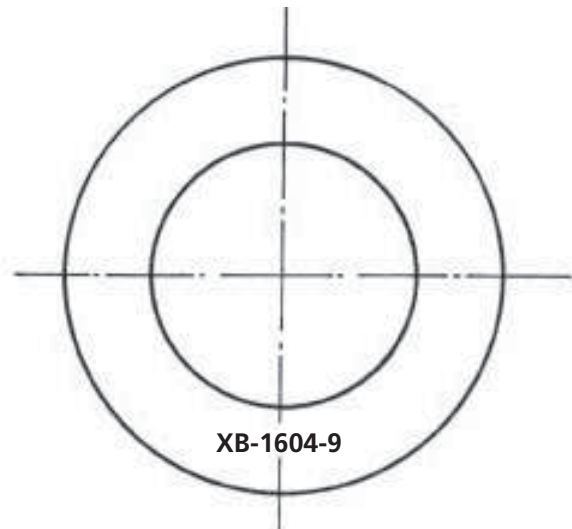
The above chart does not represent all models or all available kits. Please refer to the detailed parts information for your specific model for additional information.

Illustrations shown at 90% of actual size



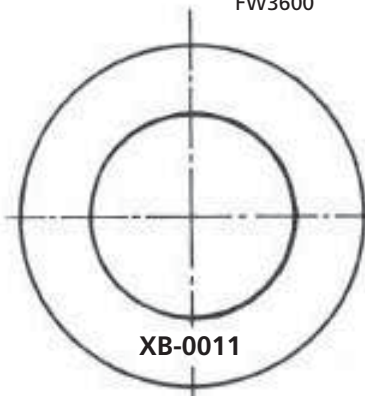
XB-1604-5

FW2000
FW3500
FW3600
OLD STYLE
Mfg. prior to May, 1982



XB-1604-9

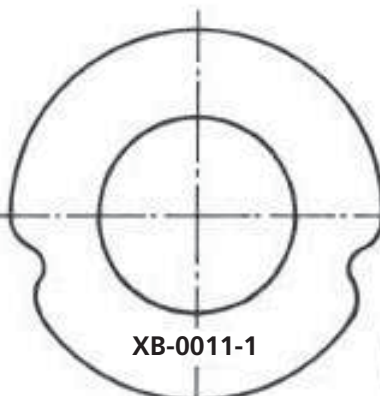
FW0070
OLD STYLE
Mfg. prior to May, 1982



XB-0011

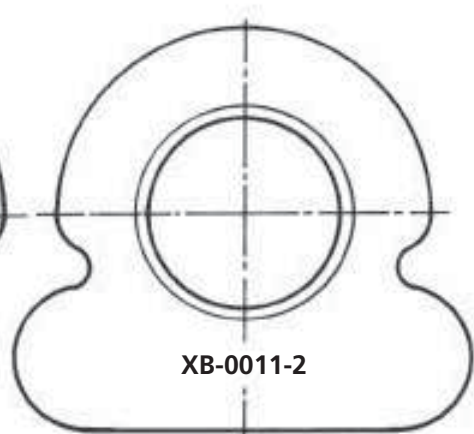
FW2000 KOMPENSATOR
FW3500 KOMPENSATOR
FW3600 KOMPENSATOR
FW3501-UB

CURRENT



XB-0011-1

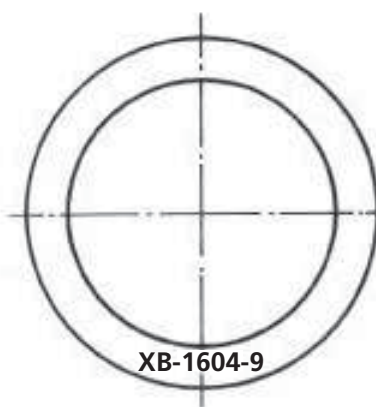
FW2000
FW3500
FW3600
Mfg. May, 1982 - June, 1987



XB-0011-2

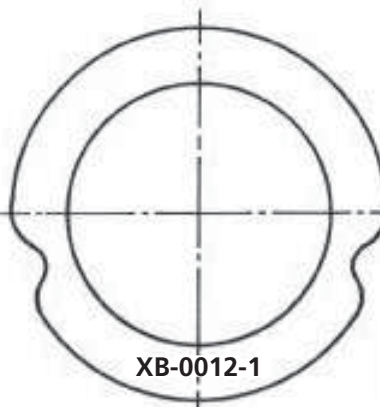
FW2000
FW3500
FW3600

CURRENT



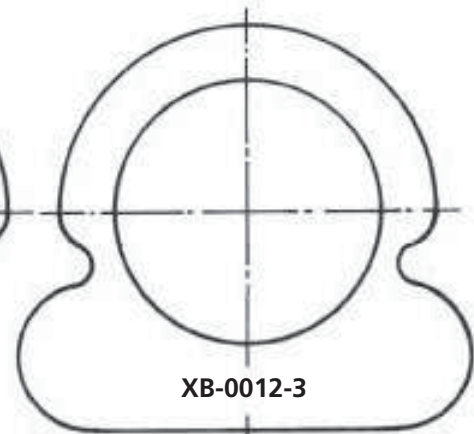
XB-1604-9

FW0070 KOMPENSATOR
Mfg. Prior to May 1982



XB-0012-1

FW0070
Mfg. May, 1982 - Oct. 1987



XB-0012-3

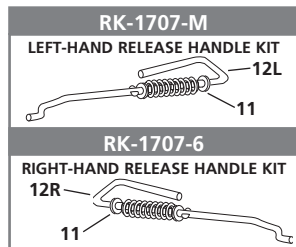
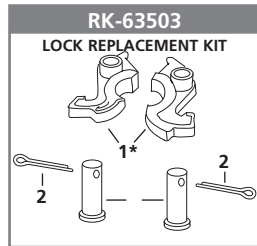
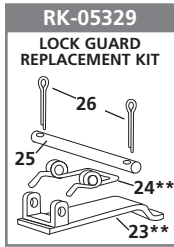
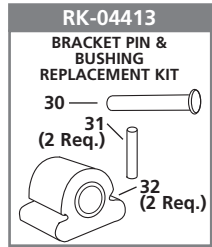
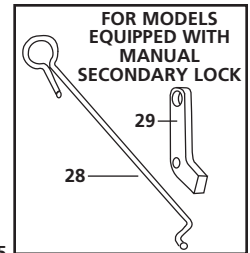
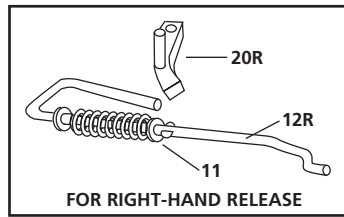
FW0070
CURRENT



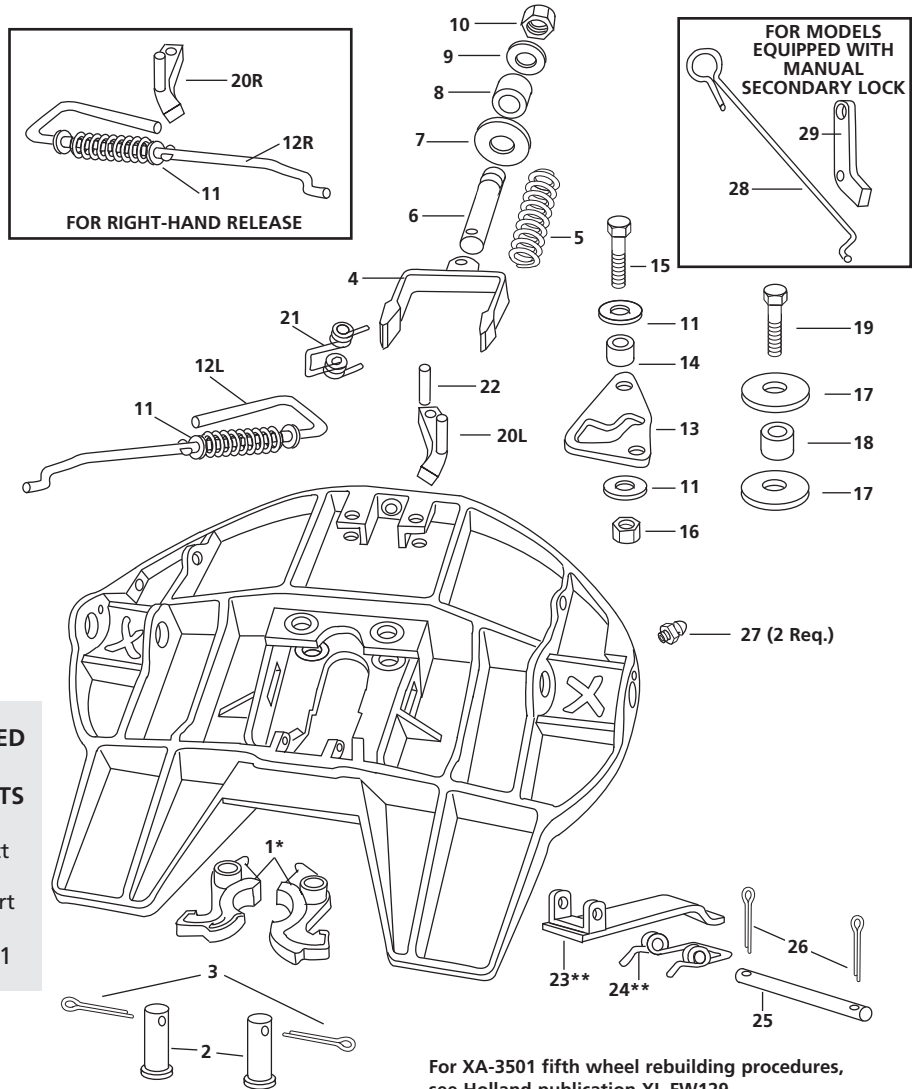
XA-3501 Rebuild Kit

RK-63500: Right-hand Release

RK-63501: Left-hand Release



DISCONTINUED MODEL SERVICE PARTS ONLY
Please contact Customer Service for part availability 888.396.6501



XA-3501 SERIES PARTS LIST

ITEM	PART NO.	NO. REQ'D.	PART NAME
1	XA-1704*	1	Lock Jaws
2	XA-1313	2	Lock Pin
3	XB-5	2	Cotter Pin 1/4" x 2"
4	XA-1703-F	1	Yoke Sub-Assembly
5	XB-1505	1	Spring
6	XA-1706	1	Yoke Shaft
7	XB-02312	1	Lock Adjustment Tag
8	XB-1127	1	Rubber Washer
9	XB-PW-1316-112	1	Washer 1-1/2" OD x 13/16" ID
10	XB-HNH-34-F	1	Locknut 3/4"-16
11	XB-T-49	3	Washer 1-3/4" OD x 9/16" ID
12L	RK-1707-M	1	Left-Hand Release Handle S/A (Part No. (11) must be installed on handle for complete assembly.)
12R	RK-1707-6	1	Right-Hand Release Handle S/A (Part No. (11) must be installed on handle for complete assembly.)
13	XA-1705	1	Cam Plate
14	XA-1029	1	Roller

ITEM	PART NO.	NO. REQ'D.	PART NAME
15	XB-2083	1	Bolt 1/2"-20 x 1-3/4"
16	XB-T-69-A	1	Locknut 1/2"-20
17	XB-1030-1	2	Washer
18	XA-1507	1	Roller
19	XB-CX-58-F-134	1	Bolt 5/8"-18 x 1-3/4"
20L	XA-3542-L	1	Secondary Lock, Left-Hand
20R	XA-3542-R	1	Secondary Lock, Right-Hand
21	XB-2149	1	Torsion Spring
22	XB-21-S-500-2750	1	Roll Pin
23	XA-3514**	1	Lock Guard
24	XB-1044**	1	Torsion Spring
25	XA-1055	1	Pin
26	XB-16	2	Cotter Pin 1/8" x 1"
27	XB-H-38	2	Grease Fitting
28	XA-3542-M	1	Manual Secondary Lock Handle
29	XA-3528	1	Manual Secondary Lock
30	XA-2016	2	Bracket Pin
31	XB-21-S-375-1750	2	Roll Pin
32	XB-0011-2	2	Rubber Bushing

* Not available individually; order RK-63503

** Not available individually; order RK-05329

For XA-3501 fifth wheel rebuilding procedures, see Holland publication XL-FW129



FW2000 Series Parts List – Manufactured Prior to 1997

SAF-HOLLAND Group

XA-2009 Rebuild Kit

RK-62000: Right-hand Release

RK-62001: Left-hand Release

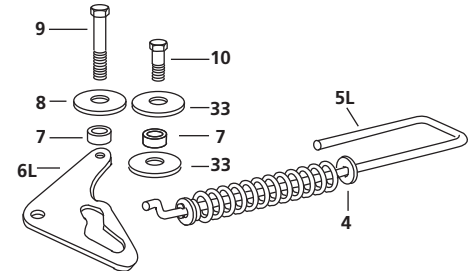
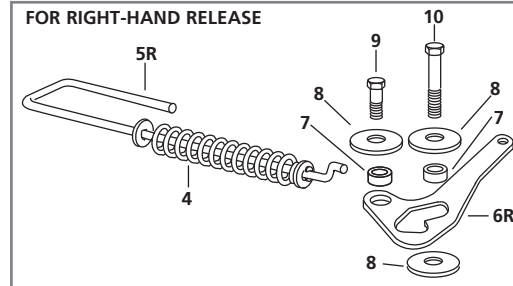


RK-04413
BRACKET PIN AND BUSHING KIT

30 (2 Req.) —

31 (2 Req.) —

32 (2 Req.) —



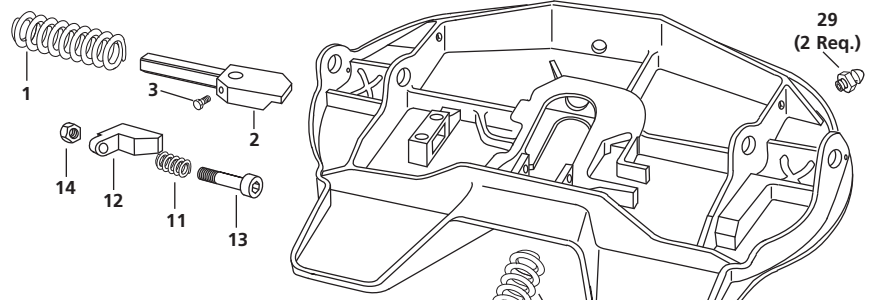
RK-62004
LOCK REPLACEMENT KIT

16A* —

16B* —

17 —

18 —



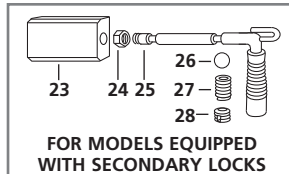
RK-05328
LOCK GUARD REPLACEMENT KIT

19** —

20** —

21 —

22 —



DISCONTINUED MODEL SERVICE PARTS ONLY
Please contact Customer Service for part availability
888.396.6501

For XA-2009 fifth wheel rebuilding procedures, see Holland publication XL-FW134

XA-2009 PARTS LIST

ITEM	PART NO.	NO. REQ'D.	PART NAME
1	XB-1007 (Red)	1	Compression Spring 1-5/8" O.D. x 5"
2	XA-1119	1	Plunger
3	XB-15	1	Set Screw 3/8"-16 x 3/4"
4	XB-T-49	1	Plain Washer 1/2"
5L	RK-1117-1-L	1	Left-Hand Release Handle (Item No. (4) must be installed on handle to complete assembly)
5R	RK-1117-1	1	Right-Hand Release Handle (Item No. (4) must be installed on handle to complete assembly)
6L	XA-1118-2-L	1	Left-Hand Cam Plate
6R	XA-1118-1	1	Right-Hand Cam Plate
7	XA-1029	2	Roller
8	XB-1030	3	Washer (right-hand only) 1/2" I.D. x 2-1/4" O.D.
9	XB-2083	1	Hex Head Screw 1/2"-20 x 1-3/4" with Locking Patch
10	XB-1031	1	1/2"-20 x 2" Hex Head Cap Screw
11	XB-403	1	Spring
12	XD-3123-1	1	Lock Adjusting Wedge
13	XB-2001	1	5/8"-11 x 3-3/4" Socket Head Screw
14	XB-HNH-58-C	1	5/8"-11 Locknut

ITEM	PART NO.	NO. REQ'D.	PART NAME
15	XB-1006 (Green)	1	Compression Spring 1-1/4" O.D. x 5"
16A&B	XA-1102*	1	Lock Set
17	XA-1016	1	Hinged Lock Pin
18	XB-5	1	Cotter Pin 1/4" x 2"
19	XA-1621**	1	Lock Guard
20	XB-1044**	1	Torsion Spring
21	XA-1055	1	Pin
22	XB-16	2	Cotter Pin 1/8" x 1"
23	XA-1668	1	Safety Lock Block
24	XB-NRJ-34-F	1	Jam Nut
25	XA-1674	1	Safety Release Arm
26	XB-V-919	1	1/2" Diameter Steel Ball
27	XB-V-932	1	Compression Spring
28	XB-V-1025	1	Set Screw 5/8"-18
29	XB-H-38	2	Grease Fitting
30	XA-2016	2	Bracket Pin
31	XB-21-S-375-1750	2	Roll Pin
32	XB-0011-2	2	Rubber Bushing
33	XB-02846	2	Washer (left-hand only) 1/2" I.D. x 2-5/8" O.D.

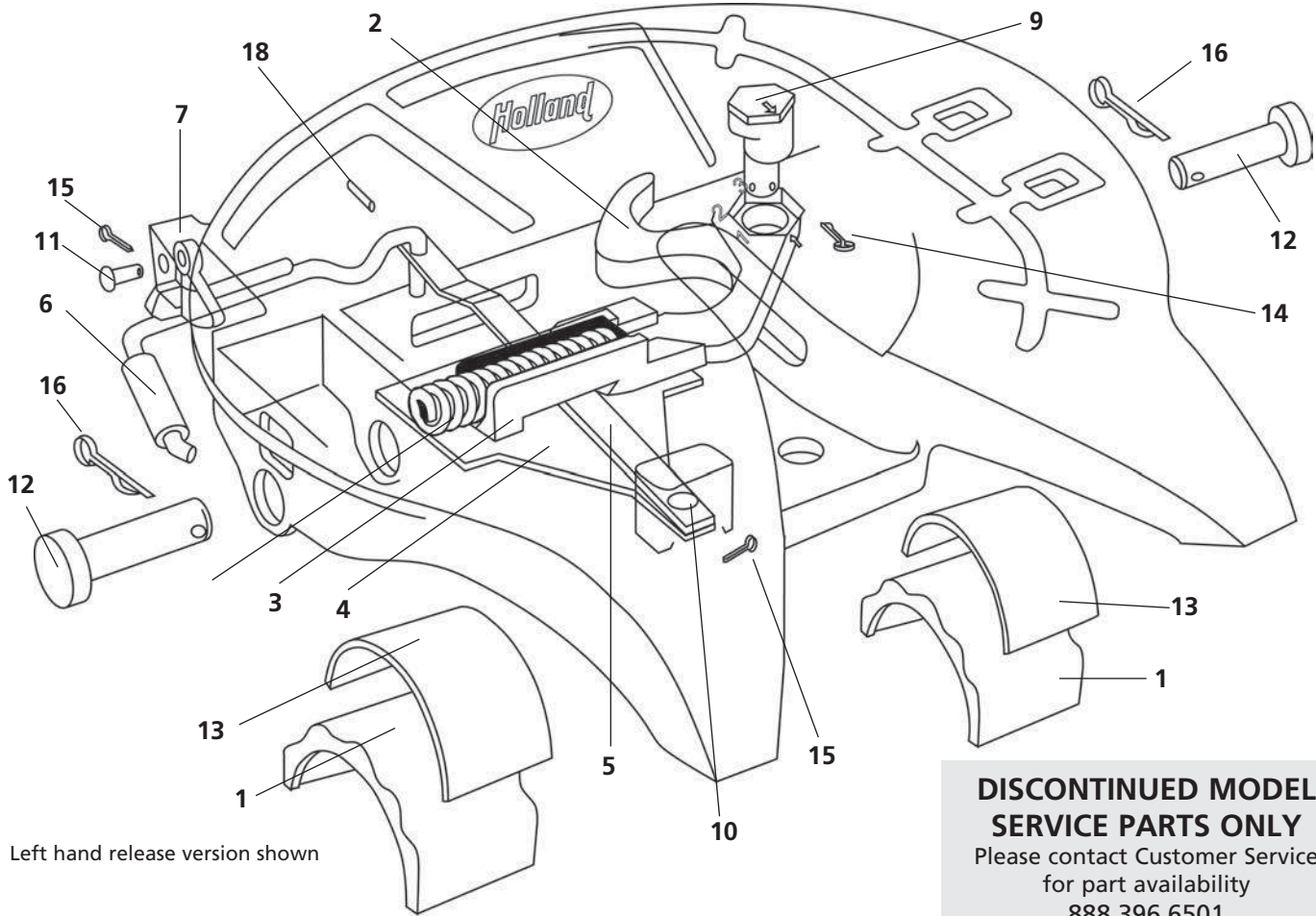
* Not available individually; order RK-62004

** Not available individually; order RK-05328

Simplex II (Left Hand & Right Hand Release)



SAF-HOLLAND Group



Left hand release version shown

**DISCONTINUED MODEL
SERVICE PARTS ONLY**
Please contact Customer Service
for part availability
888.396.6501

ITEM NO.	DESCRIPTION	PART NO.	BULK ITEM NO.
1	Bracket Shoe	4100328	B4100328
2	Jaw *(LH)	4109939	
	Jaw *(RH)	4109940	
3	Lock (LH)	4109931	B4109931
	Lock (RH)	4109808	
4	Cover Plate	4100767	
5	Lever Bar	4100712	
6	Operating Rod (LH)	4100342	B4100342
	Operating Rod (RH)	4100441	
7	Safety Indicator (LH)	4100294	
	Safety Indicator (RH)	4100428	
8	Lock Spring	1200706	B1200706
9	Eccentric Pin	4109916	

ITEM NO.	DESCRIPTION	PART NO.	BULK ITEM NO.
10	Lever Bar Pin	5400766	B5400766
11	Safety Indicator Pin	5400711	B5400711
12	Bracket Pin	5400705	B5400705
13	.38" Bracket Pad	4100329	B4100329
	.33" Bracket Pad	4100339	B4100339
	.42" Bracket Pad	4100376	B4100376
14	Clinch Pin	9900170	B9900170
15	Cotter Pin	84261	B84261
16	Clinch Pin	9900169	B9900169
17	Grease Fitting (not shown)	84787	B84787
18	Slotted Spring Pin	9900181	B9900181
19	Oversize Jaw Pin (not shown)	4109977	B4109977
20	Safety Indicator (not shown)	4100374	B4100374

* **NOTE:** The current jaw 4109939/4109940, replaces the previous design jaw 4109930/4109920.

REBUILD KITS

KIT PART NO.	DESCRIPTION	ITEMS INCLUDED IN KIT
4000501	Jaw Kit - Standard Eccentric Pin (LH)	2,9,14
4000503	Jaw Kit - Standard Eccentric Pin (RH)	2,9,14
4000502	Jaw Kit - Oversize Eccentric Pin (LH)	2,9,14
4000523	Jaw Kit - Oversize Eccentric Pin (RH)	2,9,14
4000641	Bracket Connection Kit (.33" pads)	1,12-13,16
4000504	Bracket Connection Kit (.42" pads)	1,12-13,16
4000588	Bracket Connection Kit (.42" pads)	1,12-13,16

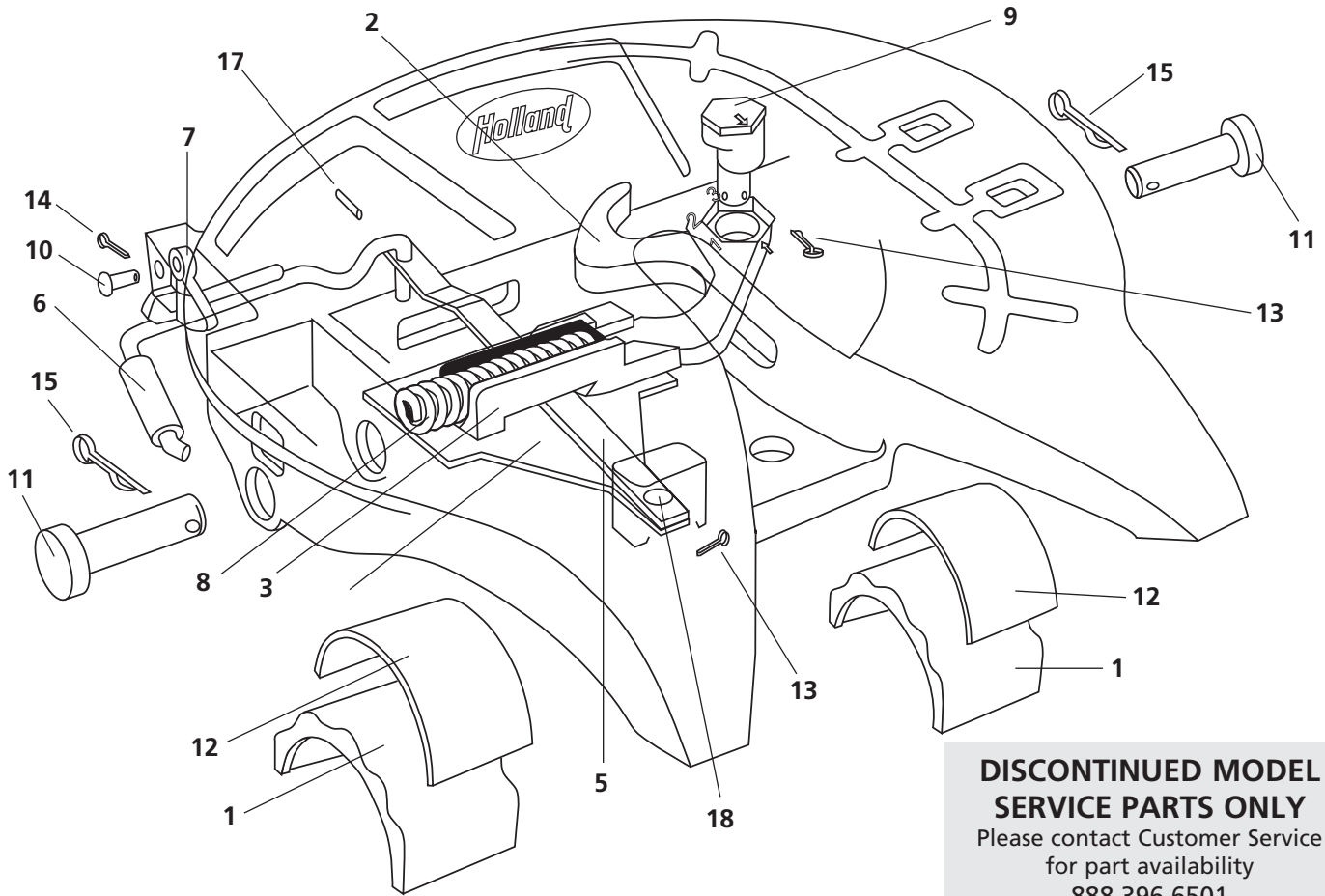
KIT PART NO.	DESCRIPTION	ITEMS INCLUDED IN KIT
4000640	Bracket Pad Kit (.33" pads)	13
4000528	Bracket Pad Kit (.38" pads)	13
4000587	Bracket Pad Kit (.42" pads)	13
4000572	Lock Kit (LH)	3-5,8,10,15
4000574	Lock Kit (RH)	3-5,8,10,15
4000509	Operating Rod Kit (LH)	6-7,11,15,18
4000512	Operating Rod Kit (RH)	6-7,11,15,18



SAF-HOLLAND Group

Simplex (Formerly Simplex Lite Straight Pull) Parts List

Serial Number Prefix LSLS or SLS



**DISCONTINUED MODEL
SERVICE PARTS ONLY**
Please contact Customer Service
for part availability
888.396.6501

ITEM NO.	DESCRIPTION	PART NO.	BULK ITEM NO.
1	Bracket Shoe	4100328	B4100328
2	Jaw	4109939	
3	Lock	4109931	B4109931
4	Cover Plate	4100155	
5	Lever Bar	4100373	
6	Operating Rod	4100420	B4100420
7	Safety Indicator	4100294	B4100294
8	Lock Spring	1200706	B1200706
9	Eccentric Pin	4109916	
10	Safety Indicator Pin	5400711	B5400711
11	Bracket Pin	5400705	B5400705
12	.38" Bracket Pad	4100329	B4100329
	.33" Bracket Pad	4100339	B4100339
	.42" Bracket Pad	4100376	B4100376

ITEM NO.	DESCRIPTION	PART NO.	BULK ITEM NO.
13	Clinch Pin	9900170	B9900170
14	Cotter Pin	84261	B84261
15	Clinch Pin	9900169	B9900169
16	Grease Fitting (not shown)	84787	B84787
17	Slotted Spring Pin	9900181	B9900181
18	Lever Bar Pin	4000250	
19	Safety Indicator (Not Shown)	4101250	B4101250
20	Non-TouchLoc Oper.Rod (Not Shown)	4100332	B4100332
21	Oversize Jaw Pin (Not Shown)	4109977	B4109977

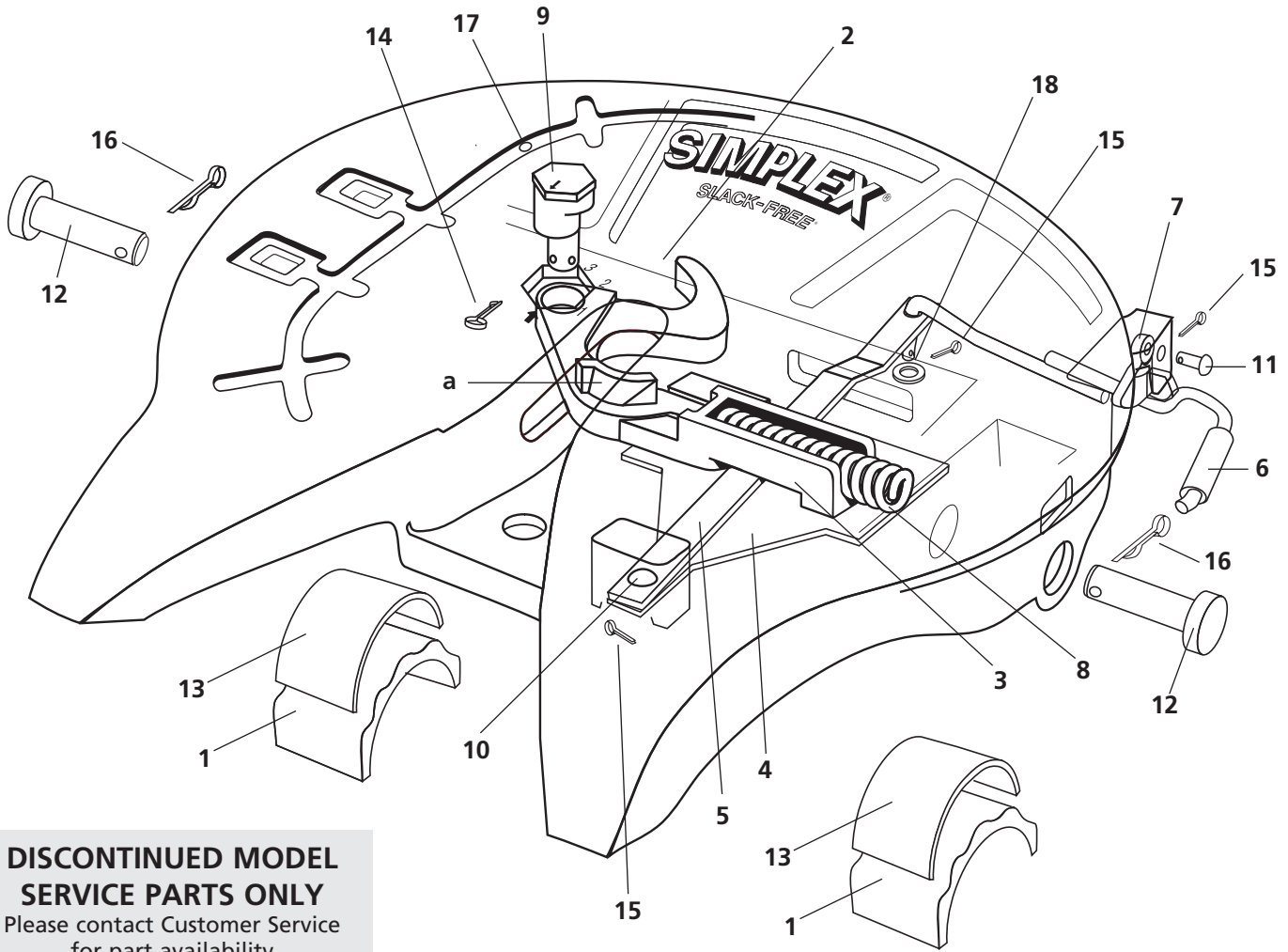
REBUILD KITS

KIT PART NO.	DESCRIPTION	ITEMS INCLUDED IN KIT
4000501	Jaw Kit - Standard Eccentric Pin	2,9,13
4000502	Jaw Kit - Oversize Eccentric Pin	2,9,13
4000641	Bracket Connection Kit (.33" pads)	1,11-12,15
4000504	Bracket Connection Kit (.38" pads)	1,11-12,15
4000588	Bracket Connection Kit (.42" pads)	1,11-12,15
4000640	Bracket Connection Kit (.33" pads)	12

KIT PART NO.	DESCRIPTION	ITEMS INCLUDED IN KIT
4000528	Bracket Pad Kit (.38" pads)	13
4000587	Bracket Pad Kit (.42" pads)	13
4000570	Lock Kit	3-5,8,13,18
4000531	Operating Rod Kit for TouchLoc	6-7,10,14,17
4000507	Operating Rod Kit	6-7,10,14,17

Simplex RH Parts List – Serial Number Prefix SR

SAF-HOLLAND Group



DISCONTINUED MODEL SERVICE PARTS ONLY

Please contact Customer Service
for part availability
888.396.6501

ITEM NO.	DESCRIPTION	PART NO.	BULK ITEM NO.
1	Bracket Shoe	4109811	B4109811
2	Jaw *	4109940	
3	Lock	4109808	
4	Cover Plate	4100767	
5	Lever Bar	4100712	
6	Operating Rod	4100350	B4100350
7	Safety Indicator	4109812	B4109812
8	Lock Spring	1200706	B1200706
9	Eccentric Pin	4109916	

ITEM NO.	DESCRIPTION	PART NO.	BULK ITEM NO.
10	Lever Bar Pin	5400766	B5400766
11	Safety Indicator Pin	5400711	B5400711
12	Bracket Pin	5400705	B5400705
13	Bracket Pad	4100358	B4100358
14	Clinch Pin	9900170	B9900170
15	Cotter Pin	84261	B84261
16	Clinch Pin	9900169	B9900169
17	Grease Fitting (not shown)	84787	B84787
18	Washer	9900846	B9900846

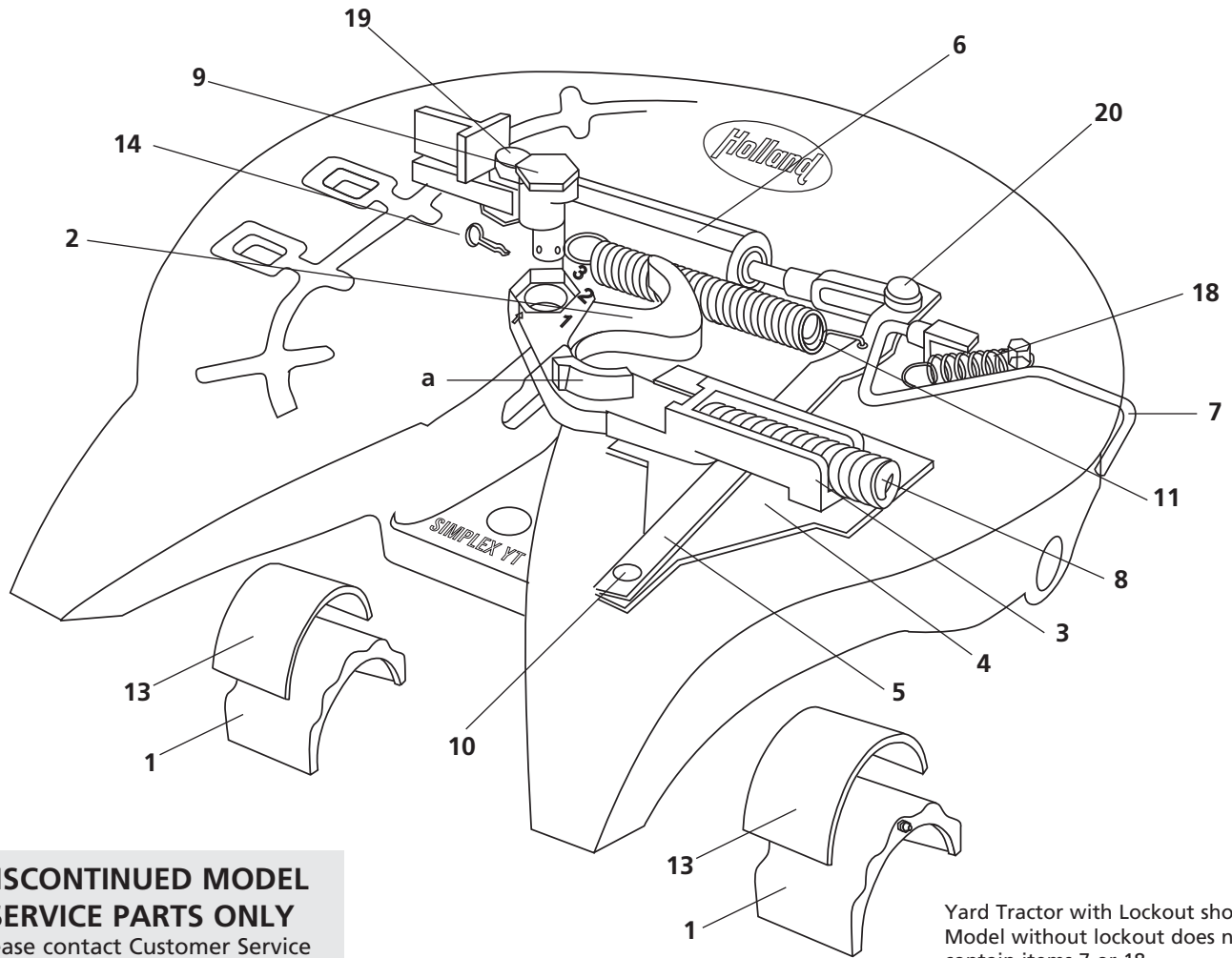
* **NOTE:** The current jaw 4109940, which replaces the previous design jaw 4109920, does not contain the lug "a" as pictured above.

REBUILD KITS

KIT PART NO.	DESCRIPTION	ITEMS INCLUDED IN KIT
4000503	Jaw Kit - Standard Eccentric Pin	2,9,14
4000523	Jaw Kit - Oversize Eccentric Pin	2,9,14
4000505	Bracket Connection Kit (.578" pads)	1,12-13,16

KIT PART NO.	DESCRIPTION	ITEMS INCLUDED IN KIT
4000529	Bracket Pad Kit (.578" pads)	13
4000511	Operating Rod Kit	6-7,11,15,18
4000574	Lock Kit	3-5,8,10,15

Simplex Yard Tractor (With and Without Lockout)



DISCONTINUED MODEL SERVICE PARTS ONLY

Please contact Customer Service
for part availability
888.396.6501

Yard Tractor with Lockout shown.
Model without lockout does not
contain items 7 or 18.

ITEM NO.	DESCRIPTION	PART NO.	BULK ITEM NO.
1	Bracket Shoe	4109811	B4109811
2	Jaw *	4109940	
3	Lock	4109808	
4	Cover Plate	4100767	
5	Lockout Lever Bar	4100211	
	Lever Bar	4100215	
6	Air Cylinder	4100338	
7	Lockout Cylinder Rod	4100206	
8	Lock Spring	1200706	B1200706
9	Eccentric Pin	4109916	
10	Lever Bar Pin	5400766	B5400766

ITEM NO.	DESCRIPTION	PART NO.	BULK ITEM NO.
11	Extension Spring	4100333	B4100333
12	Bracket Pin (not shown)	5400705	B5400705
13	Bracket Pad	4100358	B4100358
14	Clinch Pin (not shown)	9900170	B9900170
15	Cotter Pin (not shown)	84261	B84261
16	Clinch Pin (not shown)	9900169	B9900169
17	Grease Fitting	84787	B84787
18	Extension Spring	4100212	B4100212
19	Clevis	9900177	
20	Clevis Pin	5400219	

* **NOTE:** The current jaw 4109940, which replaces the previous design jaw 4109920, does not contain the lug "a" as pictured above.

REBUILD KITS

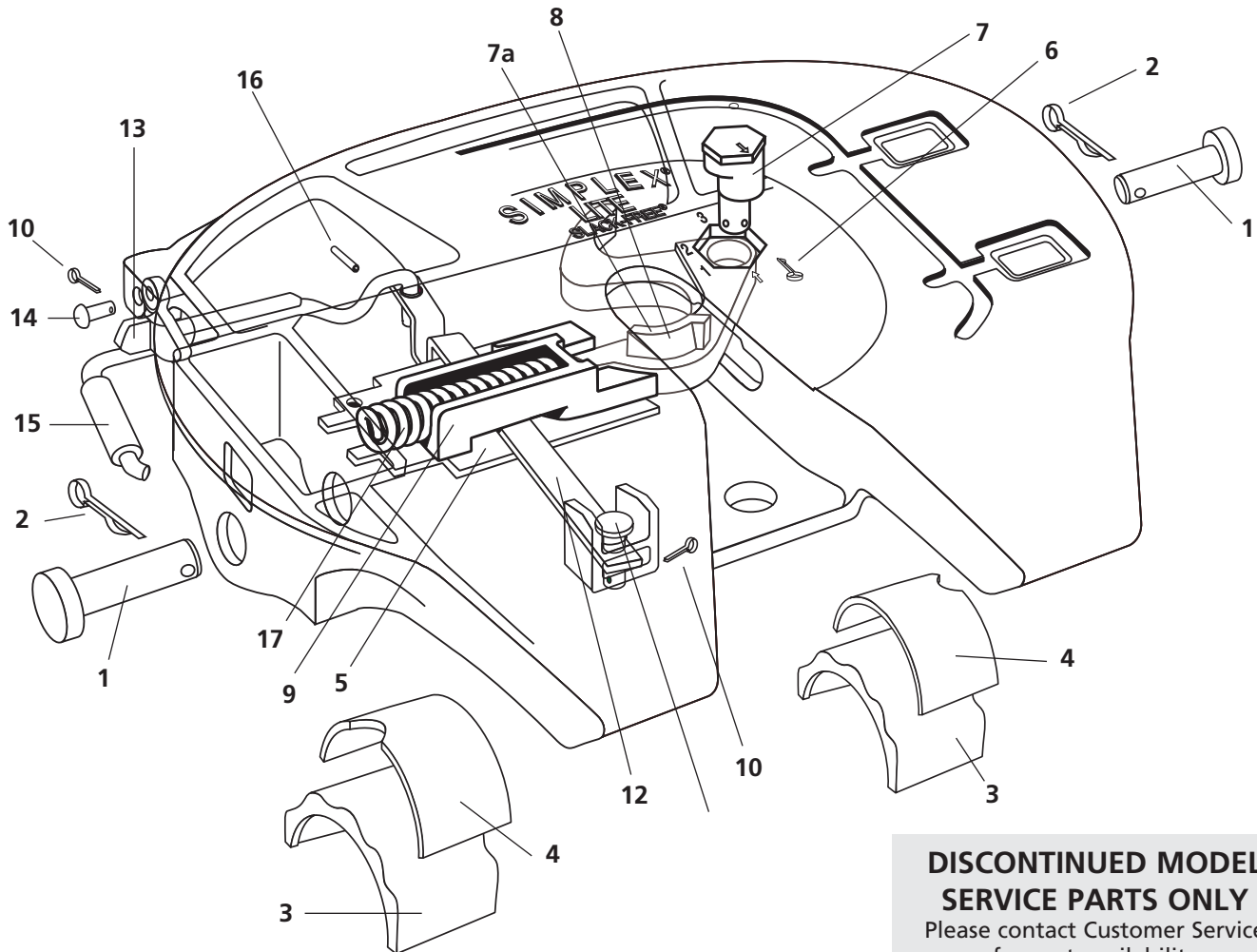
KIT PART NO.	DESCRIPTION	ITEMS INCLUDED IN KIT
4000503	Jaw Kit - Standard Eccentric Pin	2,9,14
4000523	Jaw Kit - Oversize Eccentric Pin	2,9,14
4000505	Bracket Connection Kit (.578" pads)	1,12-13,16

KIT PART NO.	DESCRIPTION	ITEMS INCLUDED IN KIT
4000529	Bracket Pad Kit (.578" pads)	13
4000513	Rebuild Kit (including lockout)	1-20
4000500	Rebuild Kit (No lockout)	1-6,8-17,19,20
4000223	Air Cylinder Repair Kit	Not Shown

Simplex Lite Straight Pull Parts List



SAF-HOLLAND Group



**DISCONTINUED MODEL
SERVICE PARTS ONLY**
Please contact Customer Service
for part availability
888.396.6501

ITEM NO.	DESCRIPTION	PART NO.
1	Bracket Pins (2 required)	5400705
2	Clinch Pins for Bracket Pins (2 required)	9900169
3	Bracket Shoes (2 required)	4100328
4	Bracket Pads (2 required)	4100329
5	Cover Plate	4100155
6	Clinch Pin for Jaw Pin	9900170
7	Jaw Pin (standard)	4109916
7a	Jaw Pin (oversize - not shown)	4109977
8	Jaw*	4109935

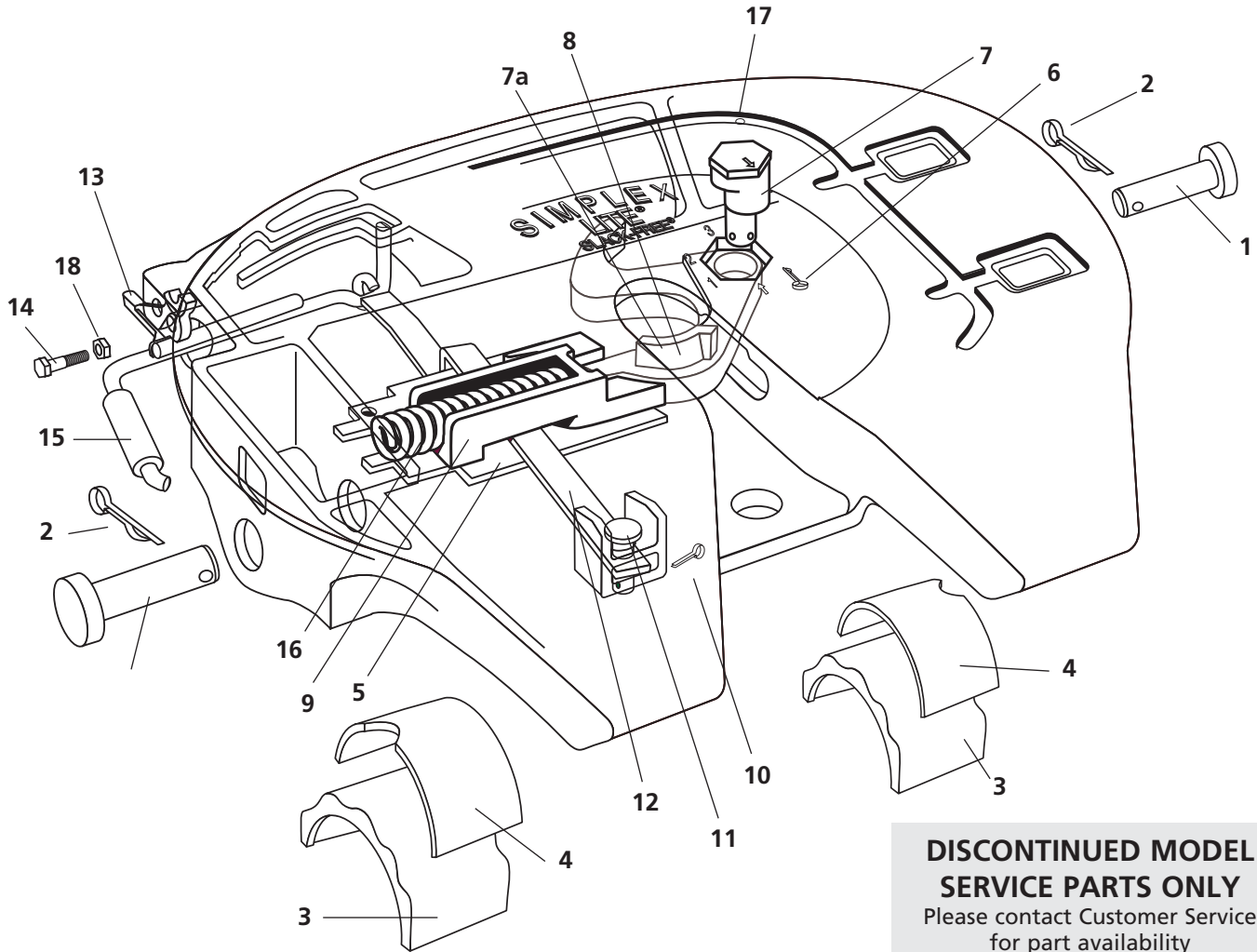
ITEM NO.	DESCRIPTION	PART NO.
9	Lock	4109931
10	Cotter Pin (2 required)	84261
11	Lever Bar Pin	4000250
12	Lever Pin	4100373
13	Safety Indicator	4101250
14	Safety Indicator Pin	5400711
15	Operating Rod	4100382
16	Slotted Spring Pin	9900181
17	Lock Spring	1200706

* Note: The current jaw 4109935, which replaces the previous design jaw 4109930, does not contain the lug "a" as pictured above.

REBUILD KITS

KIT AVAILABLE	ITEMS INCLUDED IN KIT	PART NO.
Jaw Rebuild Kit	6, 7, 8	4000501
Jaw Rebuild Kit (oversize)	6, 7a, 8	4000502
Bracket Pad Kit	4	4000528

KIT AVAILABLE	ITEMS INCLUDED IN KIT	PART NO.
Jaw Rebuild Kit	6, 7, 8	4000501
Jaw Rebuild Kit (oversize)	6, 7a, 8	4000502
Bracket Pad Kit	4	4000528



**DISCONTINUED MODEL
SERVICE PARTS ONLY**
Please contact Customer Service
for part availability
888.396.6501

ITEM NO.	DESCRIPTION	PART NO.
1	Bracket Pins (2 required)	5400705
2	Clinch Pins for Bracket Pins (2 required)	9900169
3	Bracket Shoes (2 required)	4100328
4	Bracket Pads (2 required)	4100329
5	Cover Plate	4100155
6	Clinch Pin for Jaw Pin	9900170
7	Jaw Pin (standard)	4109916
7a	Jaw Pin (oversize - not shown)	4109977
8	Jaw*	4109935
9	Lock	4109931

ITEM NO.	DESCRIPTION	PART NO.
10	Cotter Pin	84261
11	Lever Bar Pin	4000250
12	Lever Pin	4100372
13	Safety Indicator	4100374
14	Bolt Shoulder	4100402
15	Operating Rod	4100386
16	Lock Spring	1200706
17	Grease Fittings (2 required)	84787
18	Self-locking Nut	9900139

REBUILD KITS

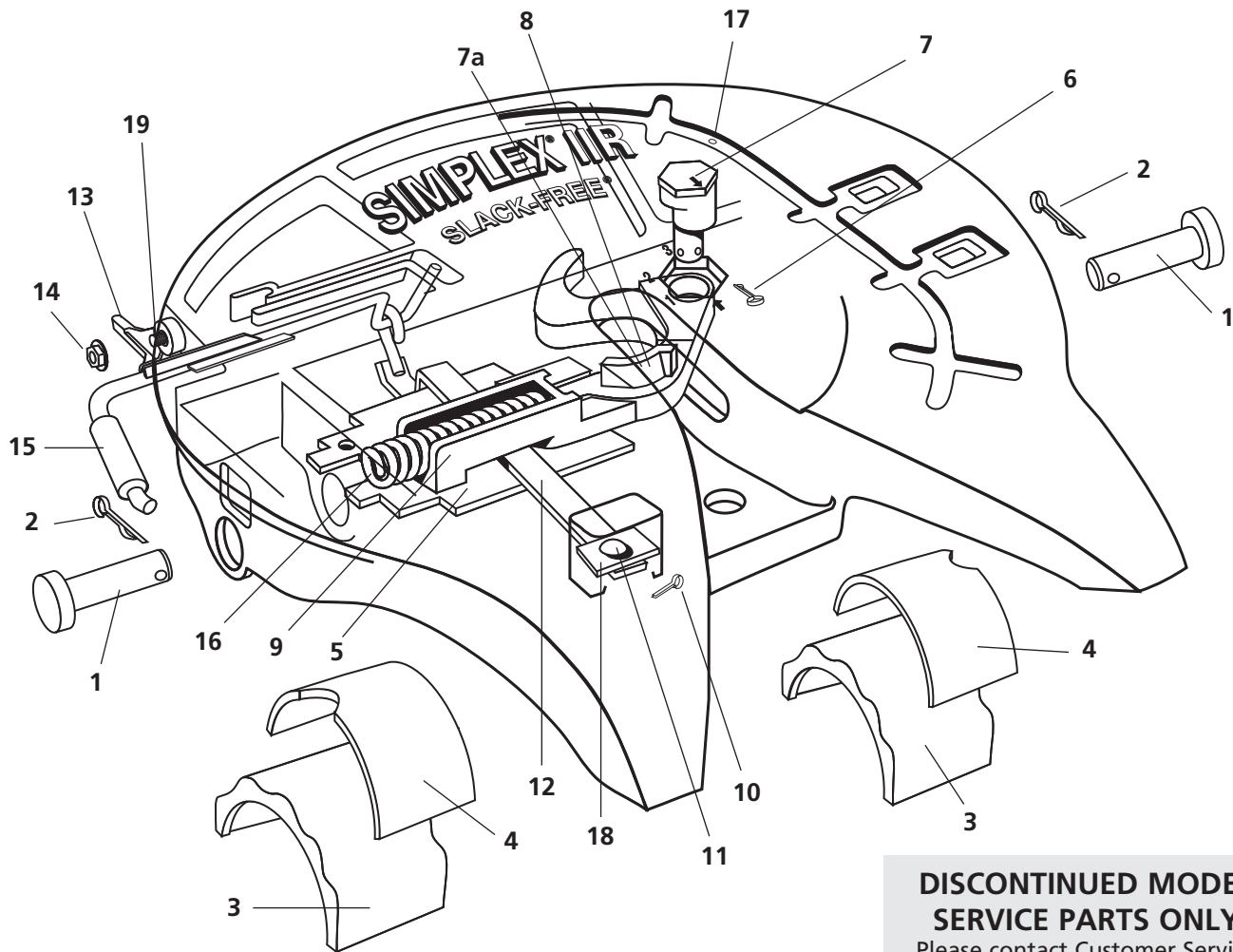
KIT AVAILABLE	ITEMS INCLUDED IN KIT	PART NO.
Jaw Rebuild Kit	6, 7, 8	4000501
Jaw Rebuild Kit (oversize)	6, 7a, 8	4000502
Bracket Pad Kit	4	4000528

KIT AVAILABLE	ITEMS INCLUDED IN KIT	PART NO.
Bracket Connection Kit	1-4	4000504
Operating Rod Kit	13-15, 18	4000508
Lock Kit	5, 9-12, 16	4000578

Simplex Rotary Pull Parts List



SAF-HOLLAND Group



**DISCONTINUED MODEL
SERVICE PARTS ONLY**
Please contact Customer Service
for part availability
888.396.6501

ITEM NO.	DESCRIPTION	PART NO.
1	Bracket Pins (2 required)	5400705
2	Clinch Pins for Bracket Pins (2 required)	9900169
3	Bracket Shoes (2 required)	4100328
4	Bracket Pads (2 required)	4100329
5	Cover Plate	4100155
6	Clinch Pin for Jaw Pin	9900170
7	Jaw Pin (standard)	4109916
7a	Jaw Pin (oversize - not shown)	4109977
8	Jaw*	4109935
9	Lock	4109931

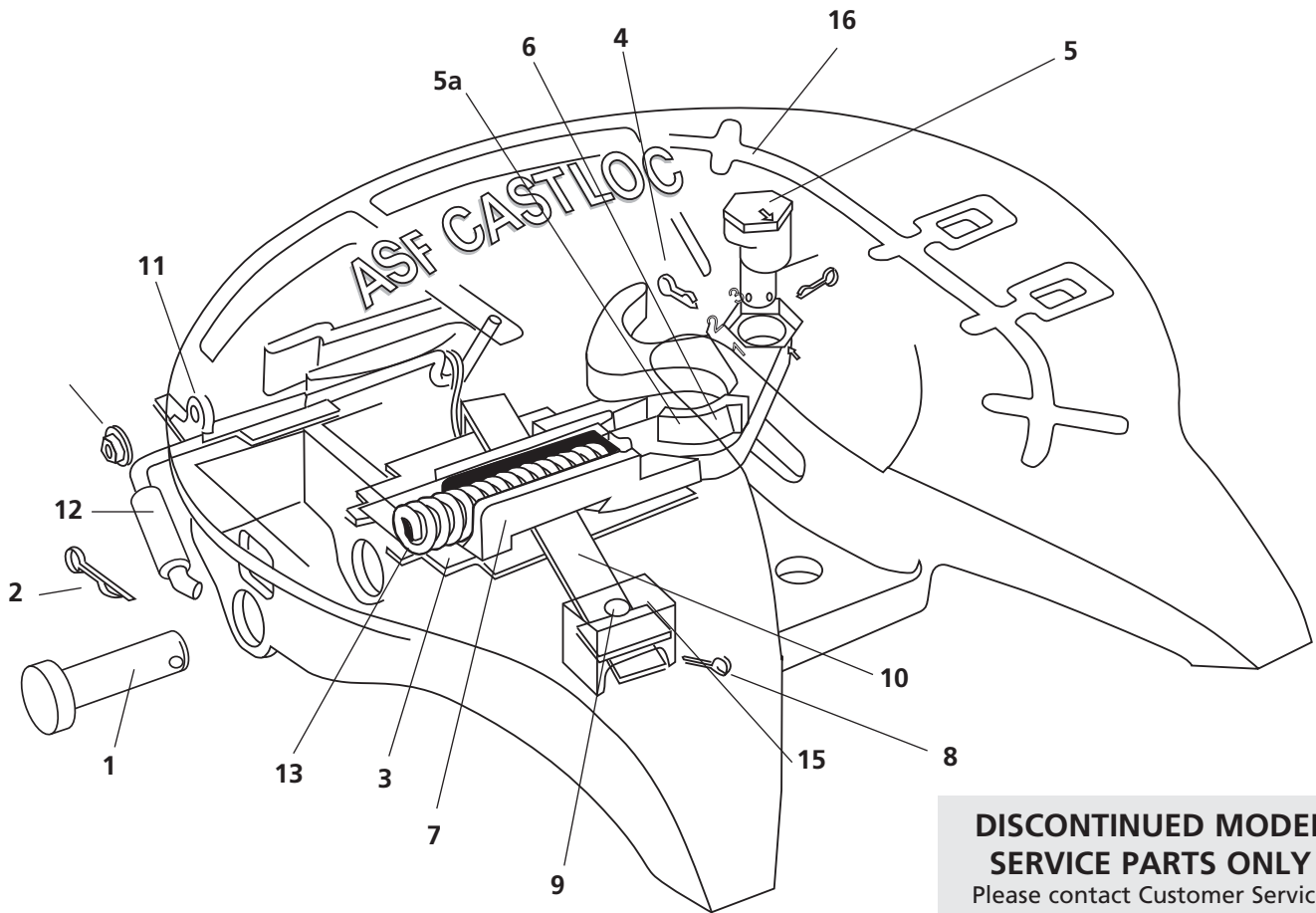
ITEM NO.	DESCRIPTION	PART NO.
10	Cotter Pin	84261
11	Lever Bar Pin	4000154
12	Lever Pin	4100152
13	Safety Indicator	4100150
14	Flange Nut	9900113
15	Operating Rod (2 piece)	4100357
16	Lock Spring	1200706
17	Grease Fittings (2 required)	84787
18	Lever Bar Retainer Plate	4100155
19	Weld Stud	4100180

* Note: The current jaw 4109935, which replaces the previous design jaw 4109930, does not contain the lug "a" as pictured above.

REBUILD KITS

KIT AVAILABLE	ITEMS INCLUDED IN KIT	PART NO.
Jaw Rebuild Kit	6, 7, 8	4000504
Jaw Rebuild Kit (oversize)	6, 7a, 8	4000502
Bracket Pad Kit	4	4000528

KIT AVAILABLE	ITEMS INCLUDED IN KIT	PART NO.
Bracket Connection Kit	1-4	4000504
Operating Rod Kit	13-15, 19	4000510
Lock Kit	5, 9-12, 16, 18	4000576



**DISCONTINUED MODEL
SERVICE PARTS ONLY**
Please contact Customer Service
for part availability
888.396.6501

ITEM NO.	DESCRIPTION	PART NO.
1	Bracket Pins (2 required)	4100239
2	Clinch Pins for Bracket Pins (2 required)	9900175
3	Cover Plate	4100155
4	Clinch Pin for Jaw Pin	9900170
5	Jaw Pin (standard)	4109916
5a	Jaw Pin (oversize - not shown)	4109977
6	Jaw *	4109935
7	Lock	4109931
8	Cotter Pin (2 required)	84261
9	Lever Bar Pin	4100154

ITEM NO.	DESCRIPTION	PART NO.
10	Lever Bar	4100152
11	Safety Indicator	4100150
12	Operating Rod (2 piece)	4100357
13	Lock Spring	1200706
14	Flange Nut	9900113
15	Lever Retaining Plate	4100153
16	Grease Fittings (2 required)	84787
17	Clinch Pin for Cover Plate (not shown)	9900170
18	Weld Stud (not shown)	4100180
19	Bracket Shim (2 required-not shown)**	4000263

* Note: The current jaw 4109935, which replaces the previous design jaw 4109930, does not contain the lug "a" as pictured above.

REBUILD KITS

KIT AVAILABLE	ITEMS INCLUDED IN KIT	PART NO.
Jaw Rebuild Kit	4-6	4000501
Jaw Rebuild Kit (oversize)	4, 5a, 6	4000502
Bracket Shim Kit**	19	4000530

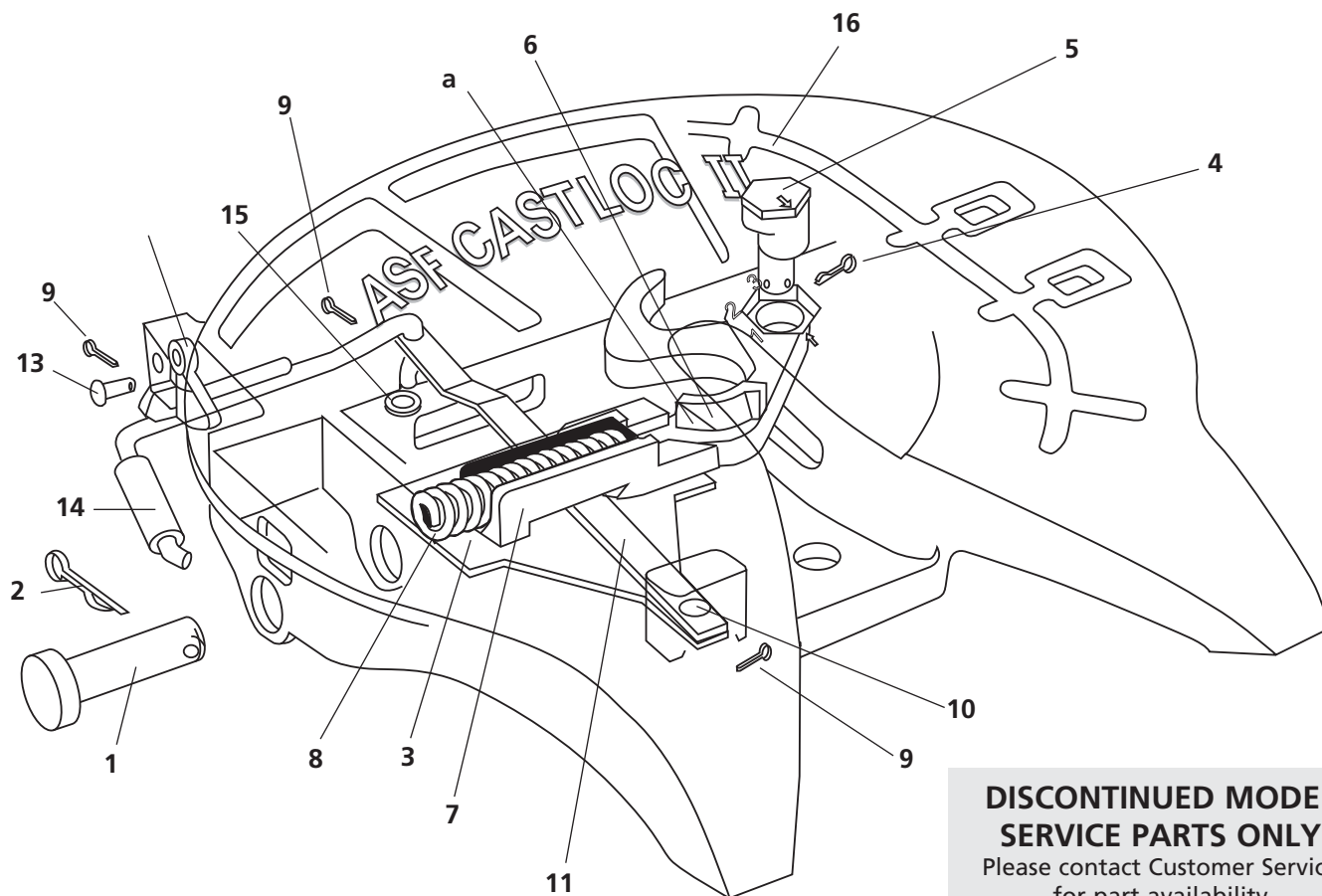
KIT AVAILABLE	ITEMS INCLUDED IN KIT	PART NO.
Bracket Connection Kit *	1, 2, 19	4000506
Operating Rod Kit	11, 12, 14, 18	4000510
Lock Kit	3, 7-10, 13, 15	4000576

** Note: Bracket shims and kits containing shims can only be used when there is sufficient wear.

Castloc II Straight Pull Parts List



SAF-HOLLAND Group



**DISCONTINUED MODEL
SERVICE PARTS ONLY**
Please contact Customer Service
for part availability
888.396.6501

ITEM NO.	DESCRIPTION	PART NO.
1	Bracket Pins (2 required)	4100239
2	Clinch Pins for Bracket Pins (2 required)	9900175
3	Cover Plate	4100767
4	Clinch Pin for Jaw Pin	9900170
5	Jaw Pin (standard)	4109916
5a	Jaw Pin (oversize - not shown)	4109977
6	Jaw *	4109935
7	Lock	4109931
8	Lock Spring	1200706
9	Cotter Pin	84261

ITEM NO.	DESCRIPTION	PART NO.
10	Lever Bar Pin	5400766
11	Lever Bar	4100712
12	Safety Latch	4101250
13	Safety Latch Pin	5400711
14	Operating Rod**	4100342
15	Washer	9900846
16	Grease Fitting	84787
17	Bracket Shim (2 required-not shown)***	4000263
18	Slotted spring pin (not shown)	9900181

* Note: The current jaw 4109935, which replaces the previous design jaw 4109930, does not contain the lug "a" as pictured above.

REBUILD KITS

KIT AVAILABLE	ITEMS INCLUDED IN KIT	PART NO.
Jaw Rebuild Kit	4-6	4000501
Jaw Rebuild Kit (oversize)	4, 5a, 6	4000502
Bracket Shim Kit***	17	4000530

KIT AVAILABLE	ITEMS INCLUDED IN KIT	PART NO.
Bracket Connection Kit ***	1, 2, 17	4000506
Operating Rod Kit	9, 12-14, 18	4000519
Lock Kit	3, 7-11	4000572

** Note: The operating rod 4100342 has been redesigned and uses a slotted spring pin 9900181 instead of cotter pin 84261 (Item 9) and washer 9900846 (Item 15).

*** Note: Bracket shims and kits containing shims can only be used when there is sufficient wear.



Simplex Discontinued Fifth Wheels

ITEM NO.	FIFTH WHEEL MODEL	SIMPLEX LITE	SIMPLEX LITE TOUCHLOC	SIMPLEX LITE ROTARY	SIMPLEX LITE ROTARY TOUCHLOC	SIMPLEX II & SIMPLEX III	SIMPLEX IIR & SIMPLEX II & SIMPLEX III TOUCHLOC	SIMPLEX IIR & SIMPLEX IIR ROTARY	SIMPLEX IIR ROTARY TOUCHLOC	SIMPLEX RH (RIGHT-HAND)
1	Fifth Wheel Sub-Assembly	1040 2700 1040 2707	1060 2700	1080 2700	1100 2700	4102 700 4102 707	9502 700	7102 700	7502 700	4102 764 4101 414 4101 424
2	Serial Number Prefix	SLS-, LSL-	SLS-, LSL-	SLR	SLR-	SL-, LSL-, SRY-	SL-, LSL-, SRY-	SRL-, SRYL-	SRL-, SRYL-	SR-
3	Replaced by Simplex Model	SE	SE Touchloc	SE	SE Touchloc	II SE	II SE Touchloc	II SE	II SE Touchloc	II SE RH
KIT NAMES AND NUMBERS										
4	Handle Kit	4000 507	4000 531	4000 508	4000 508	4000 650	4000 532	4000 510	4000 510	4000 511
	(Handle Part Number)	(4100 382)	(4100 420)	(4100 386)	(4100 386)	(4100 332)	(4100 296)	(4100 357)	(4100 357)	(4100 350)
5	Alternate Handle Kit (45 chamfer)	400 531				4000 509				
	(Handle Part Number)	(4100 420)	NA	NA	NA	(4100 342)	NA	NA	NA	NA
6	Jaw w/ Standard Pin	4000 501	4000 501	4000 501	4000 501	4000 501	4000 501	4000 501	4000 501	4000 503
7	Jaw w/ Oversize Pin	4000 502	4000 502	4000 502	4000 502	4000 502	4000 502	4000 502	4000 502	4000 523
8	Jaw & Return Spring Retrofit	4000 539	4000 539	4000 539	4000 539	4000 539	4000 539	4000 539	4000 539	4000 540
9	Kingpin Gauge (Jaw Adj. Tool)	4000 171	4000 171	4000 171	4000 171	4000 171	4000 171	4000 171	4000 171	4000 171
10	Lock	4000 570	4000 570	4000 578	4000 578	4000 572	4000 572	4000 576	4000 576	4000 574
11	* Standard pad: 0.38" thickness	4000 504	4000 504	4000 504	4000 504	4000 504	4000 504	4000 504	4000 504	NA
12	* Large pad: 0.42" thickness	4000 588	4000 588	4000 588	4000 588	4000 588	4000 588	4000 588	4000 588	NA
13	* Small Pad: 0.33" thickness	4000 641	4000 641	4000 641	4000 641	4000 641	4000 641	4000 641	4000 641	NA
14	* Simplex RH Pad: 0.58" thickness	NA	NA	NA	NA	NA	NA	NA	NA	4000 505
15	* Castloc & Castloc II	NA	NA	NA	NA	NA	NA	NA	NA	NA
16	**400C	NA	NA	NA	NA	NA	NA	NA	NA	NA
17	Pad, Standard: 0.38" thickness	4000 528	4000 528	4000 528	4000 528	4000 528	4000 528	4000 528	4000 528	NA
18	Pad, Large: 0.42" thickness	4000 587	4000 587	4000 587	4000 587	4000 587	4000 587	4000 587	4000 587	NA
19	Pad, Small: 0.33" thickness	4000 640	4000 640	4000 640	4000 640	4000 640	4000 640	4000 640	NA	
20	Pad, Simplex RH: 0.58" thickness	NA	NA	NA	NA	NA	NA	NA	NA	4000 529
21	Touchloc Air Cylinder	NA	4000 273	NA	4000 272	NA	4100 269	NA	NA	NA
22	Shims, Poly (Castloc Series)	NA	NA	NA	NA	NA	NA	NA	NA	NA
23	Shims, Steel - weld to bracket	NA	NA	NA	NA	NA	NA	NA	NA	NA
BULK KITS - INDIVIDUAL PARTS (QUANTITY/KIT)										
24	Handle (5)	B4100 382	NA	B4100 386	B4100 386	B4100 332	NA	B4100 357	B4100 357	B4100 350
25	Indicator (5) (10 for 400C)	B4101 250	NA	B4100 374	B4100 374	B4101 250	NA	B4100 150	B4100 150	B4100 428
26	Handle (45° Chamfer) (5)		B4100 420	B4100 420	NA	NA	B4100 342	B4100 296	NA	NA NA
27	Indicator (45° Chamfer) (5)		B4100 294	B4100 294	NA	NA	B4100 294	B4100 294	NA	NA NA
28	Lock Spring (5)	B1200 706	B1200 706	B1200 706	B1200 706	B1200 706	B1200 706	B1200 706	B1200 706	B1200 706
29	Jaw Return Spring (10)	NA	NA	NA	NA	NA	NA	NA	NA	NA
30	Poly Shoes (10)	B4100 328	B4100 328	B4100 328	B4100 328	B4100 328	B4100 328	B4100 328	B4100 328	NA
31	Steel Shoes (10)	NA	NA	NA	NA	NA	NA	NA	NA	B4109 811
32	Pads, Standard, .38" (20)	B4100 329	B4100 329	B4100 329	B4100 329	B4100 329	B4100 329	B4100 329	B4100 329	NA
33	Pads, Large, .42" (20)	B4100 376	B4100 376	B4100 376	B4100 376	B4100 376	B4100 376	B4100 376	B4100 376	NA
34	Pads, Small, .33" (20)	B4100 339	B4100 339	B4100 339	B4100 339	B4100 339	B4100 339	B4100 339	B4100 339	NA
35	Pads, Simplex RH, .58" (20)	NA	NA	NA	NA	NA	NA	NA	NA	B4100 358
36	Poly Shims (20)	NA	NA	NA	NA	NA	NA	NA	NA	NA
37	Steel Shims (20) - weld to bracket	NA	NA	NA	NA	NA	NA	NA	NA	NA

continued on next page

Kits for Discontinued Simplex Fifth Wheels con't.



SAF-HOLLAND Group

CASTLOC & 400C DISCONTINUED FIFTH WHEELS

ITEM NO.	FIFTH WHEEL MODEL	CASTLOC II & CASTLOC III	CASTLOC II & CASTLOC III TOUCHLOC	CASTLOC ROTARY	CASTLOC ROTARY TOUCHLOC	400C
1	Fifth Wheel Sub-Assembly	A7202 700 7202 700A	A7602 700 7602 700A	7202 700	7602 700	4102 846
2	Serial Number Prefix-	CA-, CR-, CV-	CA-, CR-, CV-	CL-	CL-	AL-
3	Replaced by Simplex Model	II SE	II SE Touchloc	II SE	II SE Touchloc	II SE
KIT NAMES AND NUMBERS						
4	Handle Kit	4000 650	4000 532	4000 510	4000 510	4000 632
	(handle part number)	(4100 332)	(4100 296)	(4100 357)	(4100 357)	(4109 944)
5	Alternate Handle Kit (45° chamfer)					
	(handle part number)	NA	NA	NA	NA	NA
6	Jaw w/ Standard Pin	4000 501	4000 501	4000 501	4000 501	4000 178
7	Jaw w/ Oversized Pin	4000 502	4000 502	4000 502	4000 502	NA
8	Jaw & Return Spring Retrofit	4000 539	4000 539	4000 539	4000 539	NA
9	Kingpin Gauge (Jaw Adjustment Tool)	4000 171	4000 171	4000 171	4000 171	NA
10	Lock	4000 572	4000 572	4000 576	4000 576	NA
11	* Standard pad: 0.38" thickness	NA	NA	NA	NA	NA
12	* Large pad: 0.42" thickness	NA	NA	NA	NA	NA
13	* Small Pad: 0.33" thickness	NA	NA	NA	NA	NA
14	* Simplex RH Pad: 0.58" thickness	NA	NA	NA	NA	NA
15	* Castloc & Castloc II	4000 506	4000 506	4000 506	4000 506	NA
16	**400C	NA	NA	NA	NA	4000 195
17	Pad, Standard: 0.38" thickness)	NA	NA	NA	NA	
18	Pad, Large: 0.42" thickness	NA	NA	NA	NA	NA
19	Pad, Small: 0.33" thickness	NA	NA	NA	NA	NA
20	Pad, Simplex RH: 0.58" thickness	NA	NA	NA	NA	NA
21	Touchloc Air Cylinder	NA	4100 269	NA	4100 258	NA
22	Shims, Poly (Castloc Series)	4000 530	4000 530	4000 530	4000 530	NA
23	Shims, Steel - weld to bracket	4000 630	4000 630	4000 630	4000 630	4000 630
BULK KITS - INDIVIDUAL PARTS (QUANTITY/KIT)						
24	Handle (5)	B4100 332	B4100 296	B4100 357	B4100 357	NA
25	Indicator (5) (10 for 400C)	B4101 250	B4100 294	B4100 150	B4100 150	B4109 948
26	Handle (45° Chamfer) (5)	NA	NA	NA	NA	NA
27	Indicator (45° Chamfer) (5)	NA	NA	NA	NA	NA
28	Lock Spring (5)	B1200 706	B1200 706	B1200 706	B1200 706	NA
29	Jaw Return Spring (10)	NA	NA	NA	NA	NA
30	Poly Shoes (10)	NA	NA	NA	NA	NA
31	Steel Shoes (10)	NA	NA	NA	NA	NA
32	Pads, Standard, .38" (20)	NA	NA	NA	NA	NA
33	Pads, Large, .42" (20)	NA	NA	NA	NA	NA
34	Pads, Small, .33" (20)	NA	NA	NA	NA	NA
35	Pads, Simplex RH, .58" (20)	NA	NA	NA	NA	NA
36	Poly Shims (20)	B4000 263	B4000 263	B4000 263	B4000 263	NA
37	Steel Shims (20) - weld to bracket	B4100 655	B4100 655	B4100 655	B4100 655	B4100 655

HOLLAND LANDING GEAR PARTS REFERENCE GUIDE

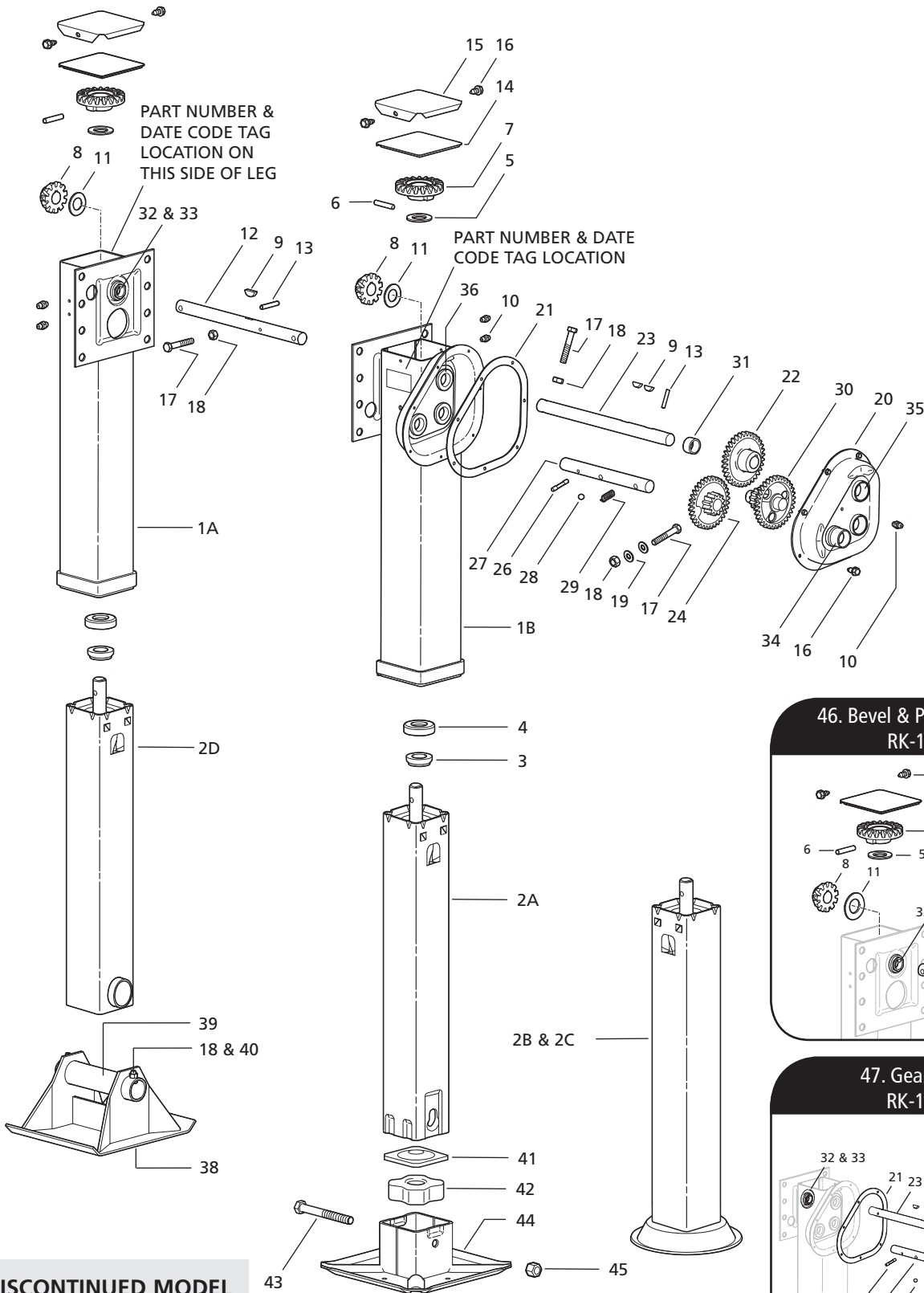


TABLE OF CONTENTS

51000 Standard and NoLube	2-2
Atlas 55 Standard and NoLube	2-8
50000 Standard and NoLube	2-14
FG4000 Standard and NoLube	2-20
CMS2	2-26
CMS3	2-30
Classic	2-34
Mark V / Mark V HD	2-38
Dual-Pin Drop Leg	2-44
4700 & 4701 Series (before 09/2010)	2-46
4700 & 4701 Series	2-48
48000 Series	2-52
49000 Gooseneck	2-54
Anti-Nose Dive	2-56
JS150-SB	2-58
JS2000 Series	2-59
JS300 Series	2-60
Replacement Shafts	2-62
Replacement Gears	2-85

For parts, service, and warranty questions,
call 888.396.6501 or visit www.safholland.us

51000 Standard - Exploded View



DISCONTINUED MODEL SERVICE PARTS ONLY

As of 09/2010

51000 model legs were replaced with the Atlas 55 model.



NO.	DESCRIPTION	PART NO.	SPEED	
			ONE	TWO
1A	Upper Housing LH	N/A	1	-
1B	Upper Housing RH	N/A	-	1
2A	Retract Tube - RCF	N/A	1	1
2B	Retract Tube - 10" Shockfoot	N/A	1	1
2C	Retract Tube - 12" Shockfoot	N/A	1	1
2D	Retract Tube - Axle	N/A	1	1
3	Collar	XB-LG0544	1	1
4	Thrust Bearing	XB-BRG-013-77	1	1
5	Washer - FL 2"OD x 1.19" ID x .13" THK	XB-PW-016-62	1	1
6	Pin - DIA .38" x 2"	XA-CRP-V-06635	1	1
7	Bevel Gear	XA-LG0570-01	1	1
8	Pinion Gear	XB-LG1823-01	1	1
9	Key - Woodruff .25" x .88"	XB-KEY-018-02	1	2
10	Ftg - Grease .25"-28 Self Tapping	XB-GRF-022-16	2	3
11	Washer - Fl 1.8"OD x 1.01"ID x .06" THK	XB-PW-016-19	1	1
12	Jack Shaft LH - Universal Mount	LG0927	1	-
	- I-Beam Mount	LG0946	1	-
	- Conventional Mount	LG0946-02	1	-
	- Reverse Mount	LG0948	1	-
13	Pin - Spring DIA .25" x 1.5"	XB-SP-014-27	1	1
14	Gasket	XB-LG0893	1	1
15	Cover	XA-LG0880	1	1
16	Self-Tapping Screw .25"-20 x .5" Lg	XB-ST5-008-11	2	9
17	Screw, Hex Cap .38"-16 x 2.25" Lg GR5	XB-HHC-050-42	1	2
18	Self-Locking Nut .38"-16	XB-SLN-012-04	2	3
19	Washer .38" Std Type A	XB-PW-016-03	-	2
20	Gearbox Half, - Outside w/Hole for Grease Fitting	LG0663	-	1
	- Outside w/Grease Fitting Included	XB-LG0663	-	1
21	Gearbox Gasket	XB-LG0428	-	1
22	Output Gear	LG0543-01	-	1
23	Jackshaft RH - Universal	LG0928	-	1
	- I-Beam Mount	LG0947	-	1
	- Conventional Mount	LG0947-02	-	1
	- Reverse Mount	LG0949	-	1
24	Input Gear- High & Low	LG0541-01	-	1
26	Groove Pin, Type E DIA .25" x 1.50" Lg	XB-GP-014-07	-	1
27	Shift Shaft - Universal Mount	LG0261-01	-	1
	- I-Beam & Conventional Mount	LG0371-01	-	1
	- Reverse Mount	LG0437	-	1
28	Shift Lock Ball	XB-BAL-023-07	-	1
29	Shift Lock Spring	XB-SPG-020-36	-	1
30	Idler Gear	XB-LG0542-01	-	1
31	Spacer Bushing	XB-LG0219-01	-	1
32	Retainer, Hex Lock	LG2094	2	1
33	Hex Lock Boss	LG2095	2	1
34	Shift Lock Boss	XB-LG0658-01	-	1
35	Gearbox Boss	XB-LG0659-01	-	4
36	Gearbox Boss, Inside Half	XB-LG0660	-	1

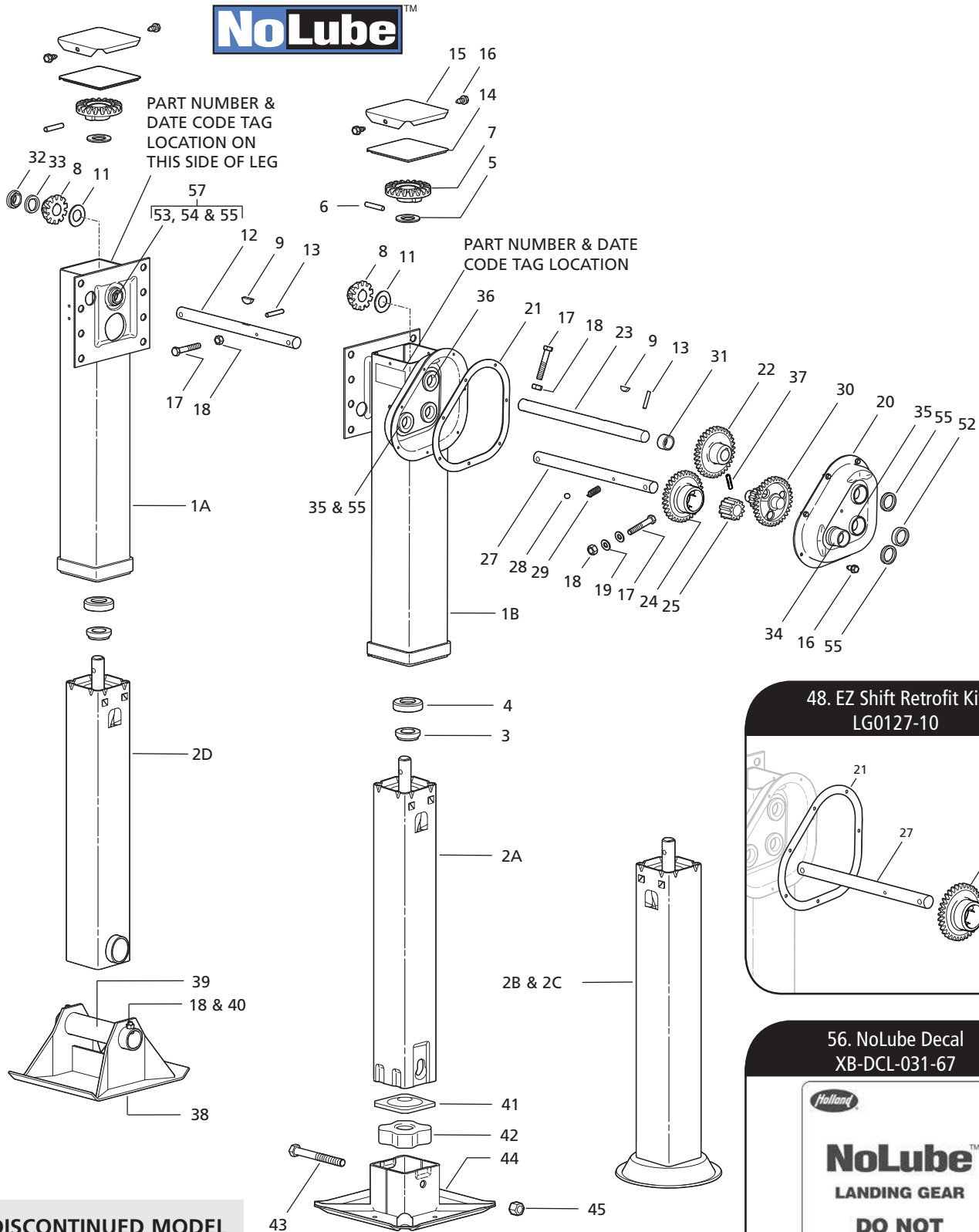
NO.	DESCRIPTION	PART NO.	SPEED	
			ONE	TWO
38	Sandshoe - 10" x 10" x 4.50"	50616001	1	1
	- 10" x 12" x 4.50"	50616000	1	1
	- 10" x 10" x 2.00"	50616008	1	1
	- 10" x 12" x 2.00"	50616007	1	1
39	Sandshoe Axle - Hollow Axle 8.50" Lg	LG0070-02	1	1
40	Screw, Hex Cap .38"-16 x .75" Lg GR5	XB-HHC-050-69	1	1
41	Cushion Foot Plate	LG0725	1	1
42	Cushion Foot Rubber	XB-LG0726	1	1
43	Bolt - Hex Head .63" -11 x 5.50"	XB-HHB-050-70	1	1
44	R.C.F. - DIA 10"	LG0718-01	1	1
	- DIA 12"	LG0740-01	1	1
	- 10" x 10"	LG0732-01	1	1
45	Self-Locking Nut - .63"-11	XB-SP0012-10	1	1
46	Bevel & Pinion Gear Repair Kit	RK-11288	1	1
47	Gear Box Repair Kit	RK-11289	-	1

For technical assistance please go to www.safholland.us or call 800.876.3929

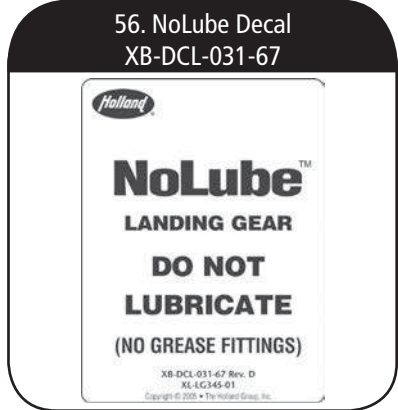
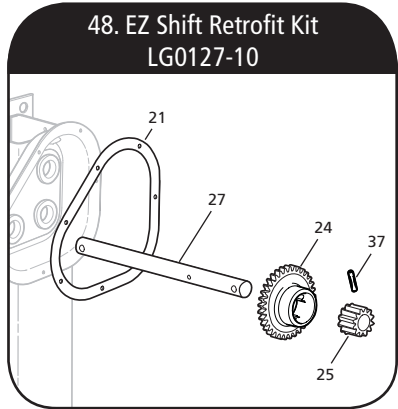
51000 NoLube - Exploded View



SAF-HOLLAND Group



DISCONTINUED MODEL SERVICE PARTS ONLY
 As of 09/2010
 51000 model legs were replaced with the Atlas 55 model.





NO.	DESCRIPTION	PART NO.	SPEED	
			ONE	TWO
1A	Upper Housing LH	N/A	1	-
1B	Upper Housing RH w/Gearbox half	N/A	-	1
2A	Retract Tube Ass'y - RCF	N/A	1	1
2B	Retract Tube Ass'y - DIA 10 Shock Foot	N/A	1	1
2C	Retract Tube Ass'y - DIA 12 Shock Foot	N/A	1	1
2D	Retract Tube Ass'y - Axle Socket	N/A	1	1
3	Collar	XB-LG0544	1	1
4	Thrust Bearing	XB-BRG-013-77	1	1
5	Washer - FL 2" OD x 1.19" ID x .13" THK	XB-PW-016-62	1	1
6	Pin - Grooved .38" DIA x 2"	XA-CRP-V-06635	1	1
7	Bevel Gear	XA-LG0570-01	1	1
8	Pinion Gear	XB-LG1823-01	1	1
9	Key - Woodruff .25" x .88"	XB-KEY-018-02	1	2
11	Washer - Fl 1.88" OD x 1.022" ID x .06" THK	XB-PW-016-19	1	1
12	Jack Shaft LH - Universal Mount	LG0927	1	-
	- I-Beam Mount	LG0946	1	-
	- Conventional Mount	LG0946-02	1	-
	- Reverse Mount	LG0948	1	-
13	Pin - Spring DIA .25" x 1.50"	XB-SP-014-27	1	1
14	Gasket	XB-LG0893	1	1
15	Cover	XA-LG0880	1	1
16	Self-Tapping Screw - .25"-20 x .50" Lg.	XB-STS-008-11	2	9
17	Screw, Hex Cap .38" -16 x 2.25" Lg GR5	XB-HHC-050-42	1	2
18	Self-Locking Nut .38" -16	XB-SLN-012-04	2	3
19	Washer .38" Std Type A	XB-PW-016-03	-	2
20	Gearbox Half Assy - Outside - Sealed	LG0663-11	-	1
	Gearbox Half Assy - Outside - Sealed - w/Grease Fitting Hole - No Grease Fitting	LG0663-10	-	1
21	Gearbox Gasket	XB-LG0428	-	1
22	Output Gear	LG0543-01	-	1
23	Jackshaft RH - Universal Mount	LG0928	-	1
	- I-Beam Mount	LG0947	-	1
	- Conventional Mount	LG0947-02	-	1
	- Reverse Mount	LG0949	-	1
24	Input Gear - High	XD-LG0856	-	1
25	Input Gear - Low	XB-LG0857-01	-	1
27	Shift Shaft - Universal EZ Shift	LG0861-01	-	1
	- I-Beam & Conventional EZ Shift	LG0859-01	-	1
	- Reverse EZ Shift	LG0858	-	1
28	Shift Lock Ball	XB-BAL-023-07	-	1
29	Shift Lock Spring	XB-SPG-020-36	-	1
30	Idler Gear	XB-LG0542-01	-	1
31	Spacer Bushing	XB-LG0219-01	-	1
32	Retainer, Hex Lock	XB-LG1570	1	-
33	Hex Lock Boss w/Seals	LG0559-10	1	-
34	Shift Lock Boss	XB-LG0658-01	-	1
35	Gearbox Boss	XB-LG0659-01	-	4
36	Gearbox Boss, Inside Half	XB-LG0660	-	1
37	Groove Pin - .25" x 1.25" Type E	XB-GP-052-22	-	1

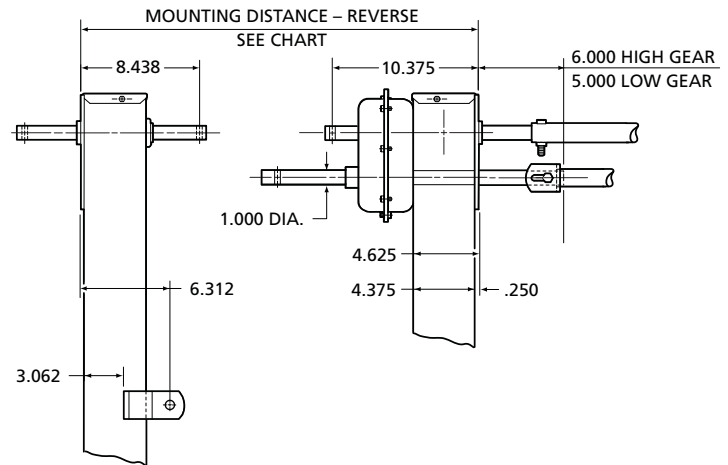
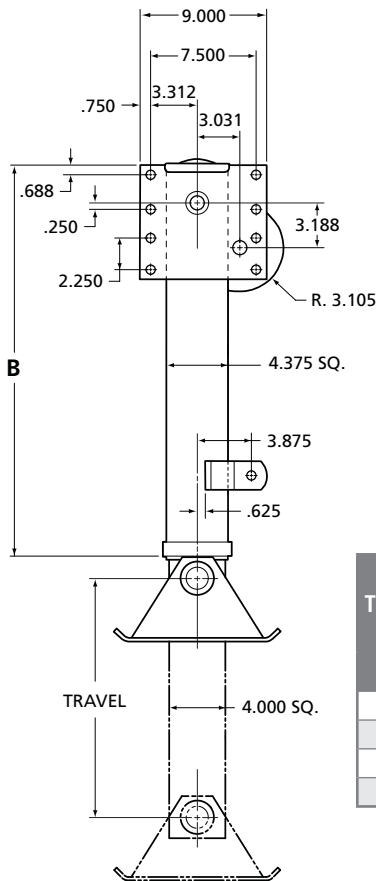
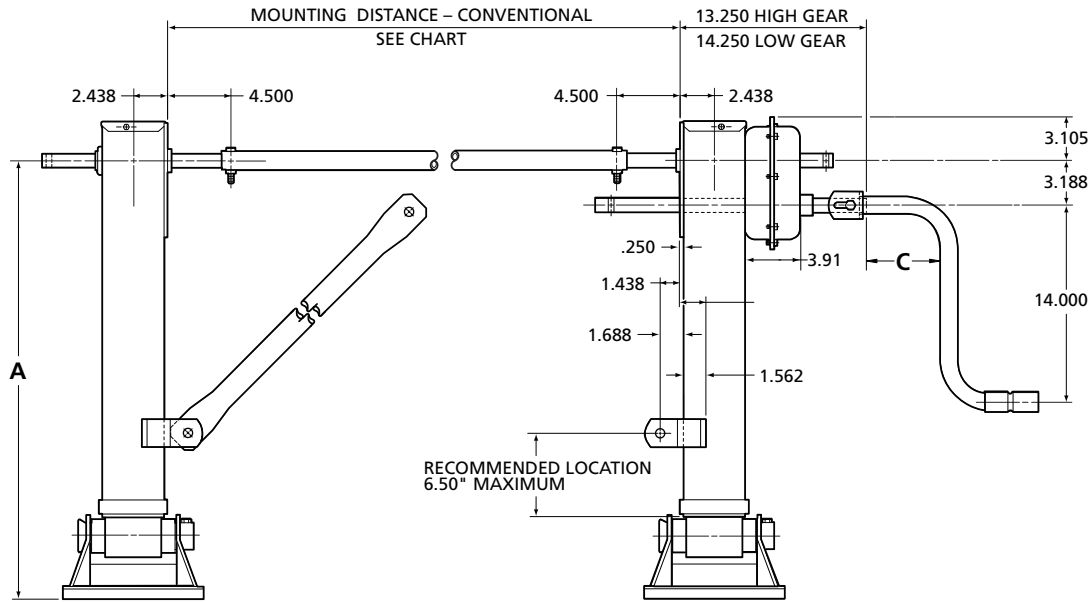
NO.	DESCRIPTION	PART NO.	SPEED	
			ONE	TWO
38	Sandshoe - 10" x 10" x 4.50"	50616001	1	1
	- 10" x 12" x 4.50"	50616000	1	1
	- 10" x 10" x 2.00"	50616008	1	1
	- 10" x 12" x 2.00"	50616007	1	1
39	Sandshoe Axle - Hollow Axle 8.50" Lg	LG0070-02	1	1
40	Screw, Hex Cap .38" -16 x .75" Lg GR5	XB-HHC-050-69	1	1
41	Cushion Foot Plate	LG0725	1	1
42	Cushion Foot Rubber	XB-LG0726	1	1
43	Bolt - Hex Head .63" -11 x 5.50"	XB-HHB-050-70	1	1
44	R.C.F. - DIA 10"	LG0718-01	1	1
	- DIA 12"	LG0740-01	1	1
	- 10" x 10"	LG0732-01	1	1
45	Self-Locking Nut - .63"-11	XB-SP0012-10	1	1
48	EZ Shift Retrofit Kit	LG0127-10	-	1
52	Freeze Plug	XB-SEL-030-22	-	1
53	Bushing	XB-LG0219-02	1	1
54	Short Boss	LG1326	1	1
55	Oil Seal	XB-SEL-030-17	1	4
56	NoLube Decal	XB-DCL-031-67	-	1
57	Bearing Boss Assy w/Oil Seal	LG1367-10	1	1

For technical assistance please go to www.safholland.us or call 800.876.3929

51000 - Dimensions & Mounting Distances



SAF-HOLLAND Group



51000 DIMENSIONS

TRAVEL	10x10x4.50 & 10x12x4.50 Sandshoe		10x10x2 & 10x12x2 Sandshoe		SHOCKFOOT		SHOCKFOOT SHOCK CAN		R.C.F. - STD		R.C.F. - MRL		CRANK PART NO.	"C"
	"A"	"B"	"A"	"B"	"A"	"B"	"A"	"B"	"A"	"B"	"A"	"B"		
13.5"	28.69	25.56	26.19	25.56	29.00	28.56	N/A	N/A	27.25	25.56	27.25	25.56	LG0083-01	5.25
15.5"	29.69	26.56	27.19	26.56	N/A	N/A	N/A	N/A	28.25	26.56	28.25	26.56		
17"	31.19	28.06	28.69	28.06	31.75	30.06	28.75	28.06	31.75	30.06	29.75	28.06	LG0083-03	10.88
19"	33.69	30.06	31.19	30.06	34.25	30.56	N/A	N/A	32.38	30.06	N/A	N/A		

MOUNTING DISTANCES

REVERSE MOUNTING DISTANCE	96" WIDE TRAILER	102" WIDE TRAILER	CONVENTIONAL MOUNTING DISTANCE	96" WIDE TRAILER	102" WIDE TRAILER
Maximum	84.00	90.00	Maximum	67.50	73.50
Minimum - LG0083-01	78.00	84.00	Minimum - LG0083-01	61.50	67.50
Minimum - LG0083-03	66.75	72.75	Minimum - LG0083-03	50.25	56.25
Minimum - LG0083-05	54.75	60.75	Minimum - LG0083-05	38.25	44.25



LANDING GEAR	
NO.	MODEL
LG4	51000

MOUNTING	
NO.	DESCRIPTION
0	Univ. Mt. - 21/32"
1	Conv. Mt. - 21/32"
4	I-Beam Mt. - 21/32"
8	Reverse Mt. - 21/32"
9	Special
A	Univ. Mt. - 17/32"
B	Conv. Mt. - 17/32"
H	I-Beam Mt. - 17/32"
L	Reverse Mt. - 17/32"

SHAFTS	
NO.	DESCRIPTION
0	Universal
1	Reverse
2	I-Beam
9	Conventional
A	I-Beam - 10"
J	Universal EZ-Shift
K	Conventional EZ-Shift
L	Reverse EZ-Shift
M	I-Beam EZ-Shift

FOOTWARE	
NO.	DESCRIPTION
0	No Footware
1	Sandshoe - 4-1/2" x 10" x 10"
2	Sandshoe - 4-1/2" x 10" x 12"
3	Sandshoe - 2" x 10" x 10"
4	Sandshoe - 2" x 10" x 12"
5	Shockfoot - 12" DIA.
8	Shockfoot - 10" DIA.
A	R.C.F. - No Footware
B	R.C.F. - 10" x 10"
C	R.C.F. - 10" DIA.
D	R.C.F. - 12" DIA.
M	Sandshoe HD - 4-1/2" x 12" x 12"
R	R.C.F. - 12" x 12"

LG4 X X X - X X X X X X X X X

TRAVEL	
NO.	DESCRIPTION
3	13-1/2"
5	15-1/2"
7	17"
9	19"

LEG ASSY	
NO.	DESCRIPTION
0	Sets
1	Left Hand
2	Right Hand

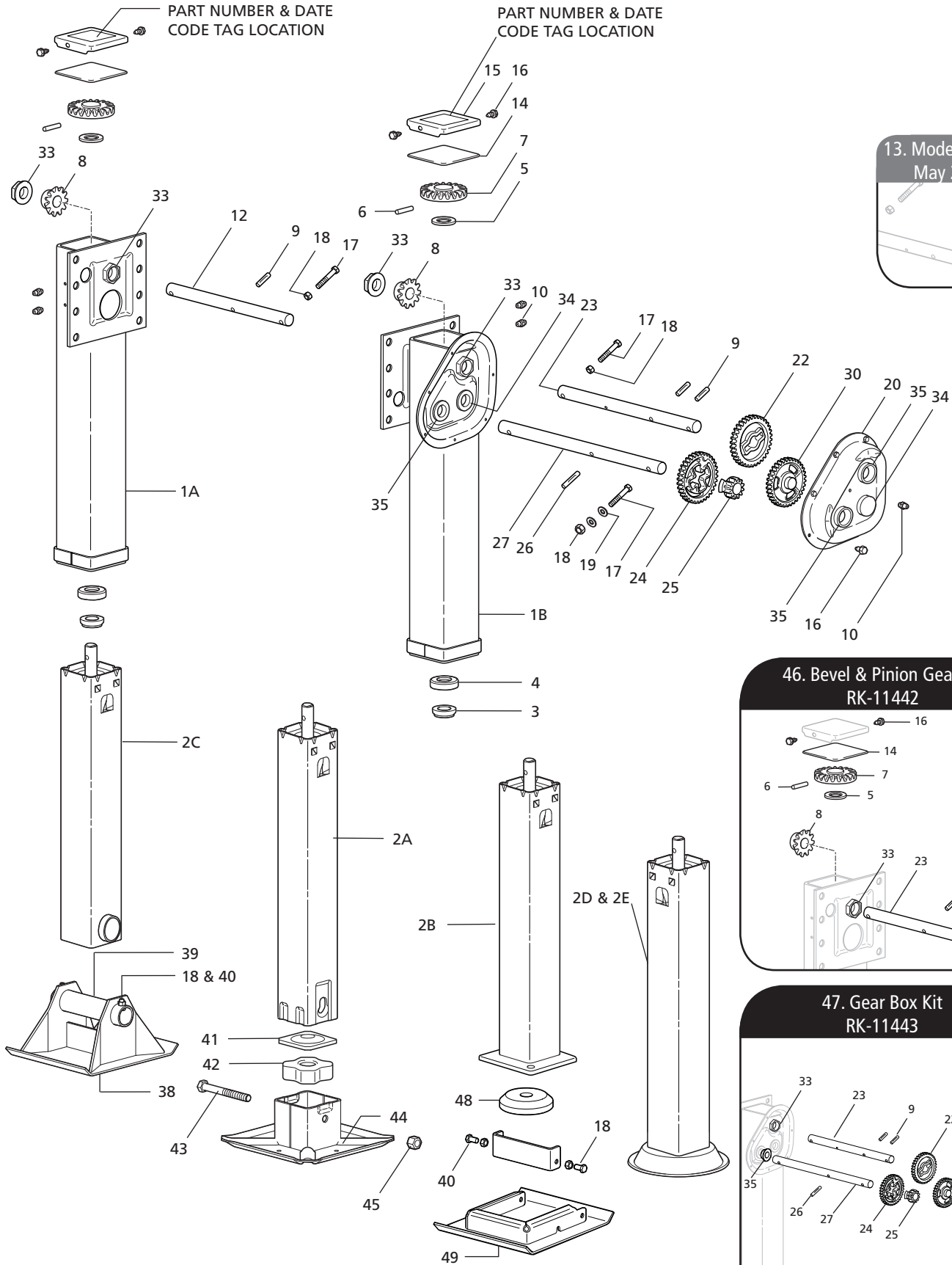
RETRACT TUBE	
NO.	DESCRIPTION
0	Standard
5	R.C.F MRL
9	Special

GREASE	
NO.	DESCRIPTION
0	Standard Pack
3	Full Pack - GB & HD
7	Std. Pack & PermaLube
9	Special
Q	NoLube (Permanently Lubricated)
R	NoLube Per Block "Q" & Enhanced Screw Lube
S	10 Year Warranty Per Block "Q" & LG0128 - Shockfoot or RCF Req'd.
T	10 Year Warranty Per Block "S" - Enhanced Lubrication On Screw

LOG NO.	ACCESSORY NO.
Contact SAF-HOLLAND Customer Service for Special Options & Accessories	

Atlas 55 Standard - Exploded View

SAF-HOLLAND Group





NO.	DESCRIPTION	RETRACT TUBE CODE	TRAVEL				
			13.50"	15.50"	17"	17"*CAN.	19"
2A	Retract Tube - RCF	0 or 5 (MRL)	LG3053-01	LG3053-02	LG3053-03	LG3053-04	LG3053-05
2B	Retract Tube - Low Profile RCF	0	LG3097-01	LG3097-02	LG3097-03	N/A	NA
2C	Retract Tube - Axle	0	LG3012-01	LG3012-02	LG3012-03	N/A	LG3012-04
2D	Retract Tube - Shockfoot 10" DIA	0 or *6 (Can)	LG3061-02	LG3061-03	LG3061-04	LG3061-07	LG3061-13
2E	Retract Tube - Shockfoot 12" DIA	0 or *6 (Can)	LG3061-01	N/A	LG3061-05	LG3061-08	LG3061-14

NO.	DESCRIPTION	PART NO.	SPEED	
			ONE	TWO
1A	Upper Housing LH	N/A	-	-
1B	Upper Housing RH	N/A	-	-
3	Collar	XB-LG0544	1	1
4	Thrust Bearing	XB-BRG-013-77	1	1
5	Washer - FL 2" OD x 1.19" ID x .13" THK	XB-PW-016-62	1	1
6	Pin - DIA .38" x 2"	XA-CRP-V-06635	1	1
7	Bevel Gear	LG2884	1	1
8	Pinion Gear	LG1823-02	1	1
9	Groove Pin - DIA .38" x 1.50"	XB-GP-014-18	1	2
10	Ftg - Grease .25"-28 Self Tapping	XB-GRF-022-16	2	3
12	Jack Shaft LH - Universal Mount	LG2964-01	1	-
	- I-Beam Mount	LG2964-04	1	-
	- Conventional Mount	LG2964-02	1	-
	- Reverse Mount	LG2964-03	1	-
13	Pin - Spring DIA .25" x 1.5" (Not Required)	N/A	-	-
14	Cover Gasket	XB-LG0893	1	1
15	Top Cover	XA-LG0880	1	1
16	Self-Tapping Screw .25"-20 x .5" Lg	XB-ST5-008-11	2	9
17	Screw, Hex Cap .38"-16 x 2.25" Lg GR5	XB-HHC-050-42	1	2
18	Self-Locking Nut .38"-16 - Sandshoe	XB-SLN-012-04	2	3
	- Low Profile RCF	XB-SLN-012-04	4	5
19	Washer .38" Std Type A	XB-PW-016-03	-	2
20	Gearbox Half, Outside w/Hole for Grease Fitting	LG2996	-	1
22	Output Gear	LG2980	-	1
23	Jackshaft RH - Universal Mount	LG2963-01	-	1
	- I-Beam Mount	LG2963-04	-	1
	- Conventional Mount	LG2963-02	-	1
	- Reverse Mount	LG2963-03	-	1
24	Input Gear - High	LG2968	-	1
25	Input Gear - Low	LG2969	-	1
26	Groove Pin, Type E DIA .38" x 2.00" Lg	XB-GP-052-21	-	1
27	Shift Shaft - Universal	LG3011-01	-	1
	- I-Beam & Conventional	LG3011-02	-	1
	- Reverse	LG3011-03	-	1
30	Idler Gear	LG2975	-	1
33	Hex Lock Boss	LG2926	2	2
34	Output Shaft Bushing	LG3005	-	2
35	Boss Bearing - Sealed	LG0659-10	-	3

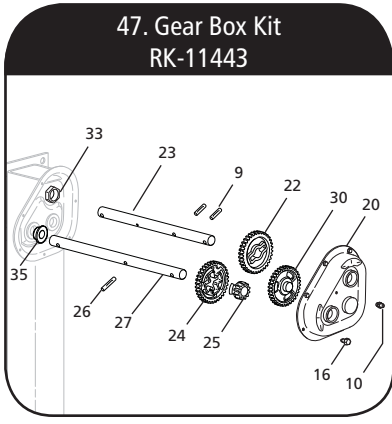
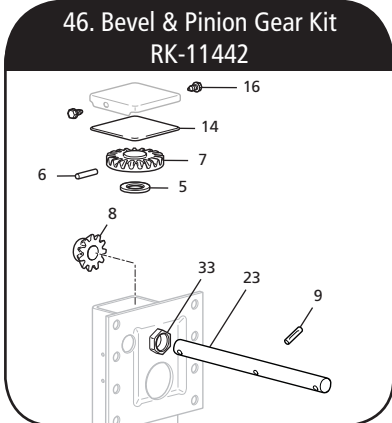
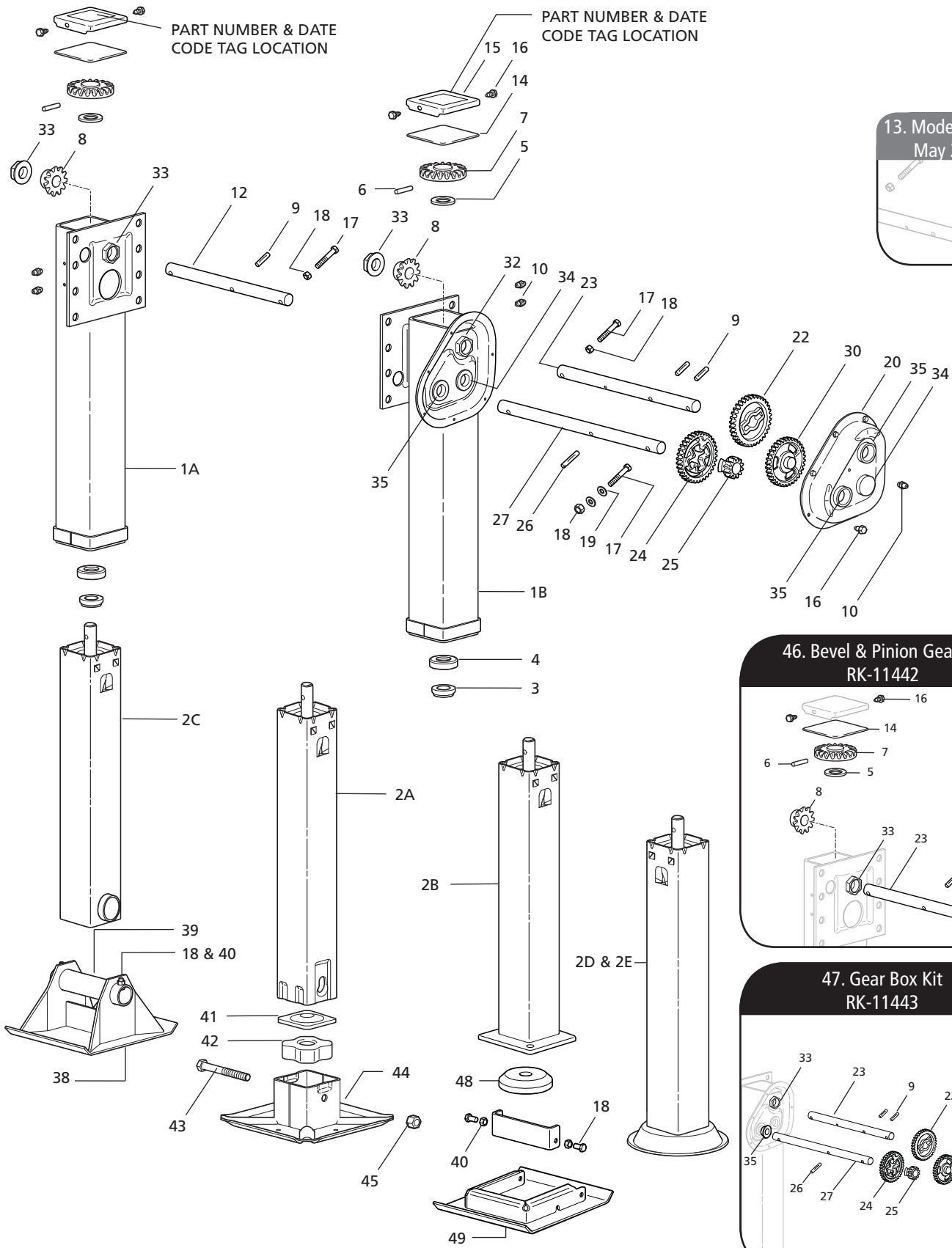
NO.	DESCRIPTION	PART NO.	SPEED	
			ONE	TWO
38	Sandshoe - 10" x 10" x 4.50"	50616001	1	1
	- 10" x 12" x 4.50"	50616000	1	1
	- 10" x 10" x 2.00"	50616008	1	1
	- 10" x 12" x 2.00"	50616007	1	1
39	Sandshoe Axle - Hollow Axle 8.50" Lg	LG0070-02	1	1
40	Screw, Hex Cap .38"-16 x .75" Lg GR5 - Sandshoe	XB-HHC-050-69	1	1
	Screw, Hex Cap .38"-16 x .75" Lg GR5 - Low Profile RCF	XB-HHC-050-69	2	2
41	Cushion Foot Plate	LG0725	1	1
42	Cushion Foot Rubber	XB-LG0726	1	1
43	Bolt - Hex Head .63" -11 x 5.50"	XB-HHB-050-70	1	1
44	R.C.F. - DIA 10"	LG0718-01	1	1
	- DIA 12"	LG0740-01	1	1
	- 10" x 10"	LG0732-01	1	1
45	Self-Locking Nut - .63" -11"	XB-SP0012-10	1	1
46	Bevel & Pinion Gear Repair Kit	RK-11442	1	1
47	Gear Box Repair Kit	RK-11443	-	1
48	Cushion Foot Pad - Low Profile RCF	728003	1	1
49	Interchangeable Collar - Low Profile RCF	730639	1	1
50	Black Armour™ Touchup Kit (not shown)	RK-10919	1	1

For technical assistance please go to www.safholland.us or call 800.876.3929

Atlas 55 NoLube™ - Exploded View



SAF-HOLLAND Group





NO.	DESCRIPTION	RETRACT TUBE CODE	TRAVEL				
			13.50"	15.50"	17"	17" *CAN.	19"
2A	Retract Tube - RCF	0 or 5 (MRL)	N/A	N/A	LG3071-04	N/A	LG3071-05
2B	Retract Tube - Low Profile RCF	0	LG3097-11	LG3097-12	LG3097-13	N/A	N/A
2C	Retract Tube - Axle	0	LG3077-01	LG3077-02	LG3077-03	N/A	LG3077-04
2D	Retract Tube - 10" DIA Shockfoot	0 or *6 (Can)	N/A	N/A	LG3095-01	LG3095-03	LG3095-05
2E	Retract Tube - 12" DIA Shockfoot	0 or *6 (Can)	N/A	N/A	N/A	LG3095-04	N/A

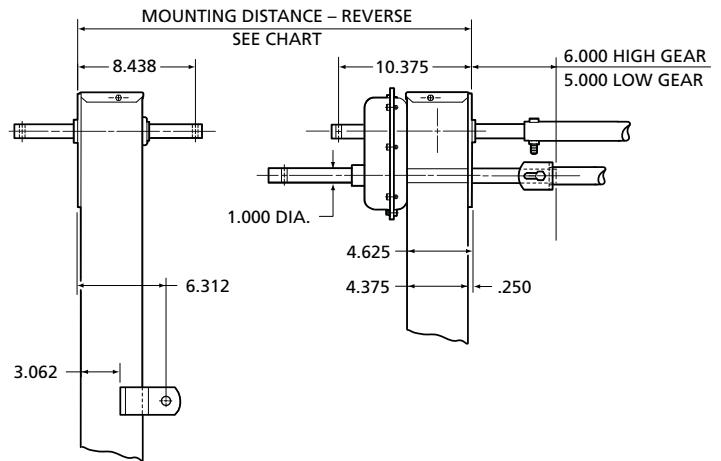
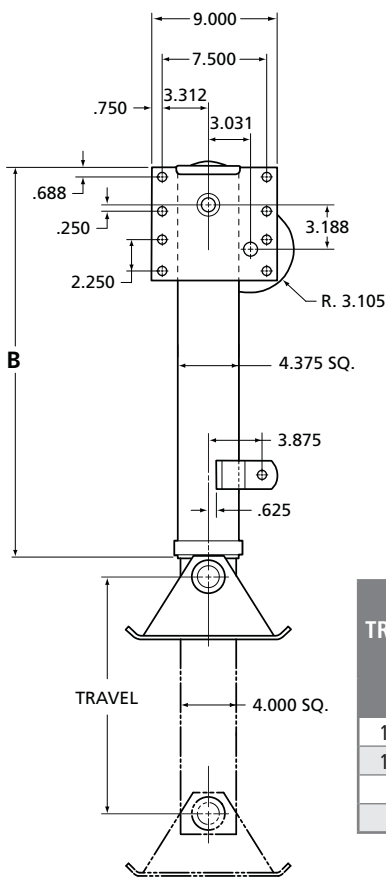
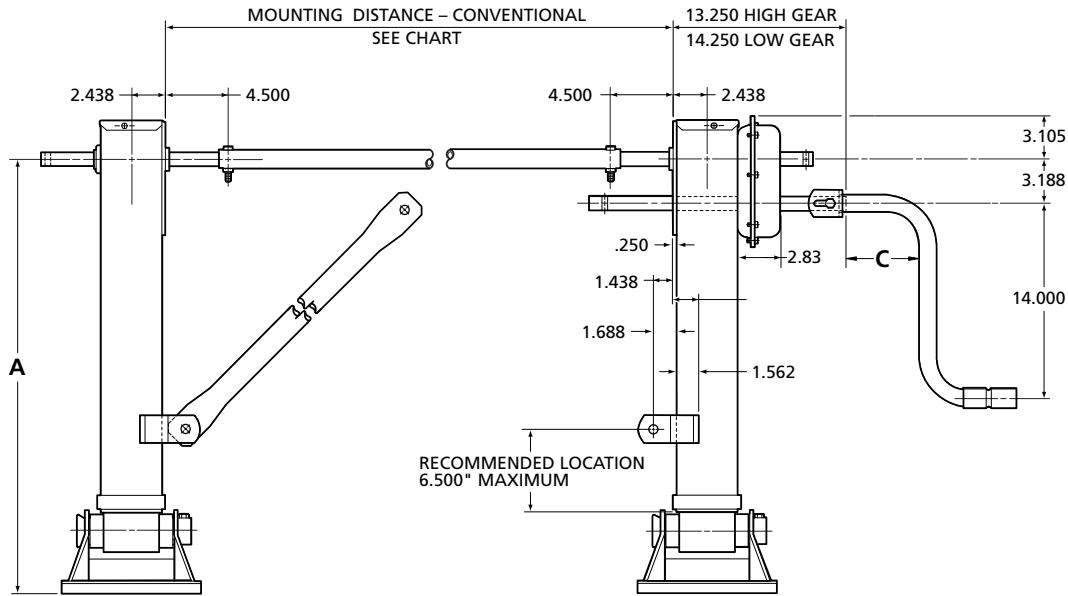
NO.	DESCRIPTION	PART NO.	SPEED	
			ONE	TWO
1A	Upper Housing LH	N/A	-	-
1B	Upper Housing RH	N/A	-	-
3	Collar	XB-LG0544	1	1
4	Thrust Bearing	XB-BRG-013-77	1	1
5	Washer - FL 2" OD x 1.19" ID x .13" THK	XB-PW-016-62	1	1
6	Pin - DIA .38" x 2"	XA-CRP-V-06635	1	1
7	Bevel Gear	LG2884	1	1
8	Pinion Gear	LG1823-02	1	1
9	Groove Pin - DIA .38" x 1.50"	XB-GP-014-18	1	2
10	Ftg - Grease .25"-28 Self Tapping	XB-GRF-022-16	2	3
12	Jack Shaft LH - Universal Mount	LG2964-01	1	-
	- I-Beam Mount	LG2964-04	1	-
	- Conventional Mount	LG2964-02	1	-
	- Reverse Mount	LG2964-03	1	-
13	Pin - Spring DIA .25" x 1.5" (Not Required)	N/A	-	-
14	Cover Gasket	XB-LG0893	1	1
15	Top Cover	XA-LG0880	1	1
16	Self-Tapping Screw .25"-20 x .5" Lg	XB-STS-008-11	2	9
17	Screw, Hex Cap .38"-16 x 2.25" Lg GR5	XB-HHC-050-42	1	2
18	Self-Locking Nut .38"-16 - Sandshoe	XB-SLN-012-04	2	3
	- Low Profile RCF	XB-SLN-012-04	4	5
19	Washer .38" Std Type A	XB-PW-016-03	-	2
20	Gearbox Half, Outside w/Hole for Grease Fitting	LG2996	-	1
22	Output Gear	LG2980	-	1
23	Jackshaft RH - Universal Mount	LG2963-01	-	1
	- I-Beam Mount	LG2963-04	-	1
	- Conventional Mount	LG2963-02	-	1
	- Reverse Mount	LG2963-03	-	1
24	Input Gear - High	LG2968	-	1
25	Input Gear - Low	LG2969	-	1
26	Groove Pin, Type E DIA .38" x 2.00" Lg	XB-GP-052-21	-	1
27	Shift Shaft - Universal	LG3011-01	-	1
	- I-Beam & Conventional	LG3011-02	-	1
	- Reverse	LG3011-03	-	1
30	Idler Gear	LG2975	-	1
32	Hex Lock Boss	LG2926	-	1
33	Hex Lock Boss - Sealed	LG2926-10	2	1
34	Output Shaft Bushing	LG3005	-	2
35	Boss Bearing - Sealed	LG0659-10	-	3

NO.	DESCRIPTION	PART NO.	SPEED	
			ONE	TWO
38	Sandshoe - 10" x 10" x 4.50"	50616001	1	1
	- 10" x 12" x 4.50"	50616000	1	1
	- 10" x 10" x 2.00"	50616008	1	1
	- 10" x 12" x 2.00"	50616007	1	1
39	Sandshoe Axle - Hollow Axle 8.50" Lg	LG0070-02	1	1
40	Screw, Hex Cap .38"-16 x .75" Lg GR5 - Sandshoe	XB-HHC-050-69	1	1
	Screw, Hex Cap .38"-16 x .75" Lg GR5 - Low Profile RCF	XB-HHC-050-69	2	2
41	Cushion Foot Plate	LG0725	1	1
42	Cushion Foot Rubber	XB-LG0726	1	1
43	Bolt - Hex Head .63" -11 x 5.50"	XB-HHB-050-70	1	1
44	R.C.F. - DIA 10"	LG0718-01	1	1
	- DIA 12"	LG0740-01	1	1
	- 10" x 10"	LG0732-01	1	1
45	Self-Locking Nut - .63"-11"	XB-SP0012-10	1	1
46	Bevel & Pinion Gear Repair Kit	RK-11442	1	1
47	Gear Box Repair Kit	RK-11443	-	1
48	Cushion Foot Pad - Low Profile RCF	728003	1	1
49	Interchangeable Collar - Low Profile RCF	730639	1	1
50	Black Armour™ Touchup Kit (not shown)	RK-10919	1	1

For technical assistance please go to www.safholland.us or call 800.876.3929

Atlas 55 - Dimensions & Mounting Distances

SAF-HOLLAND Group

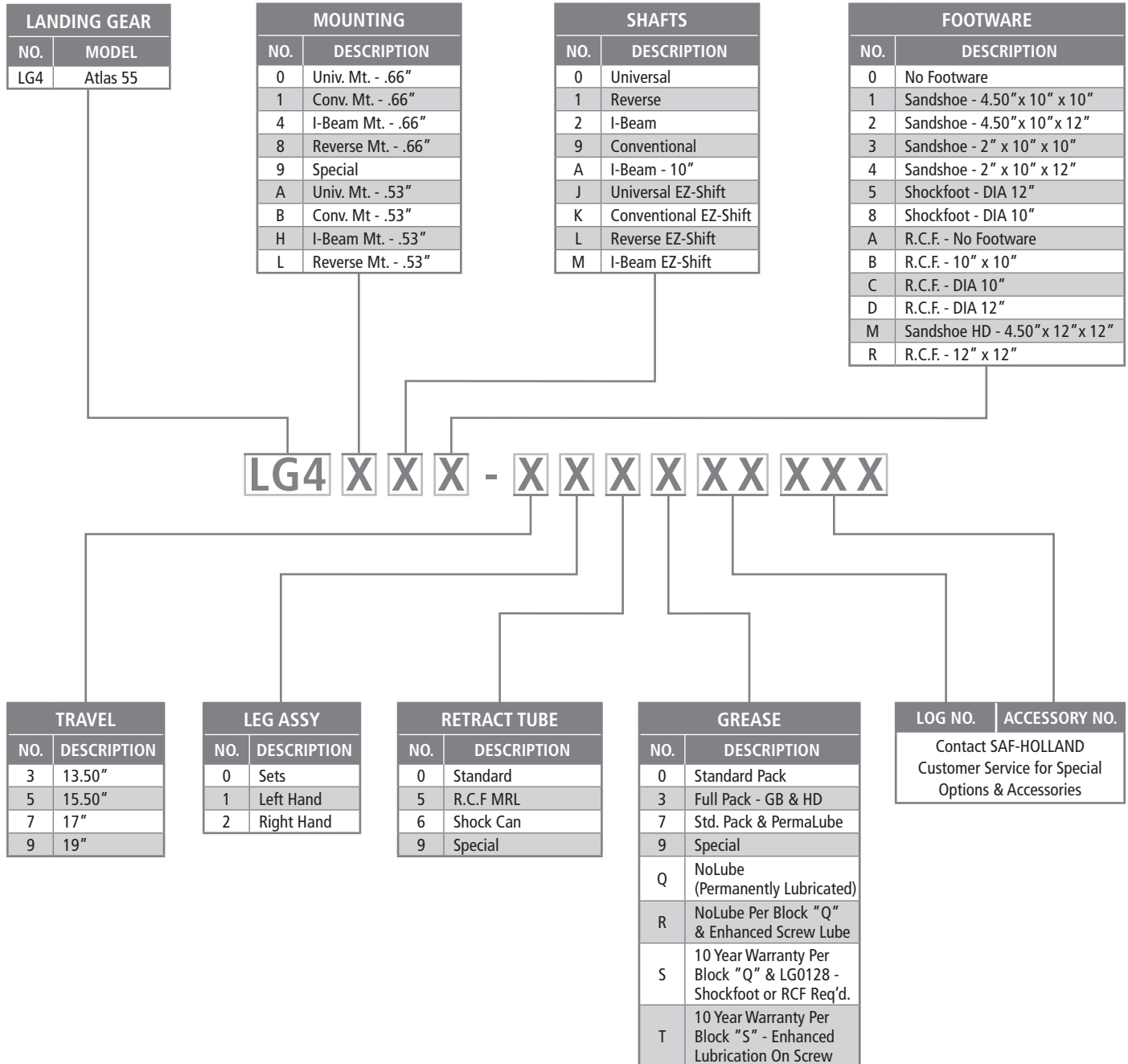


ATLAS 55 DIMENSIONS

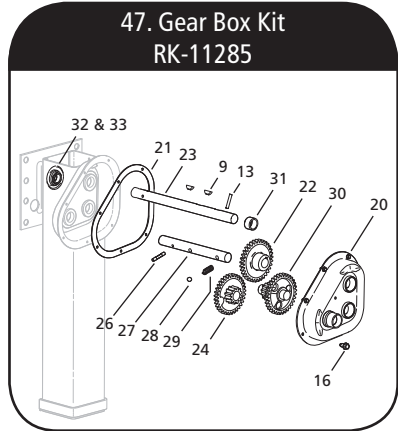
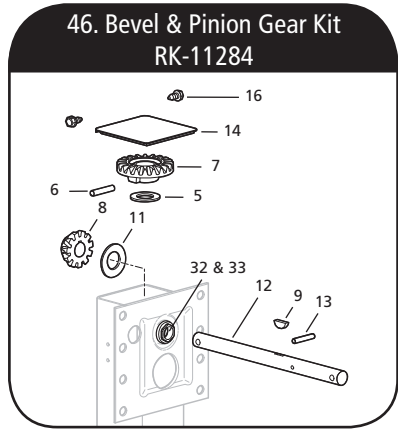
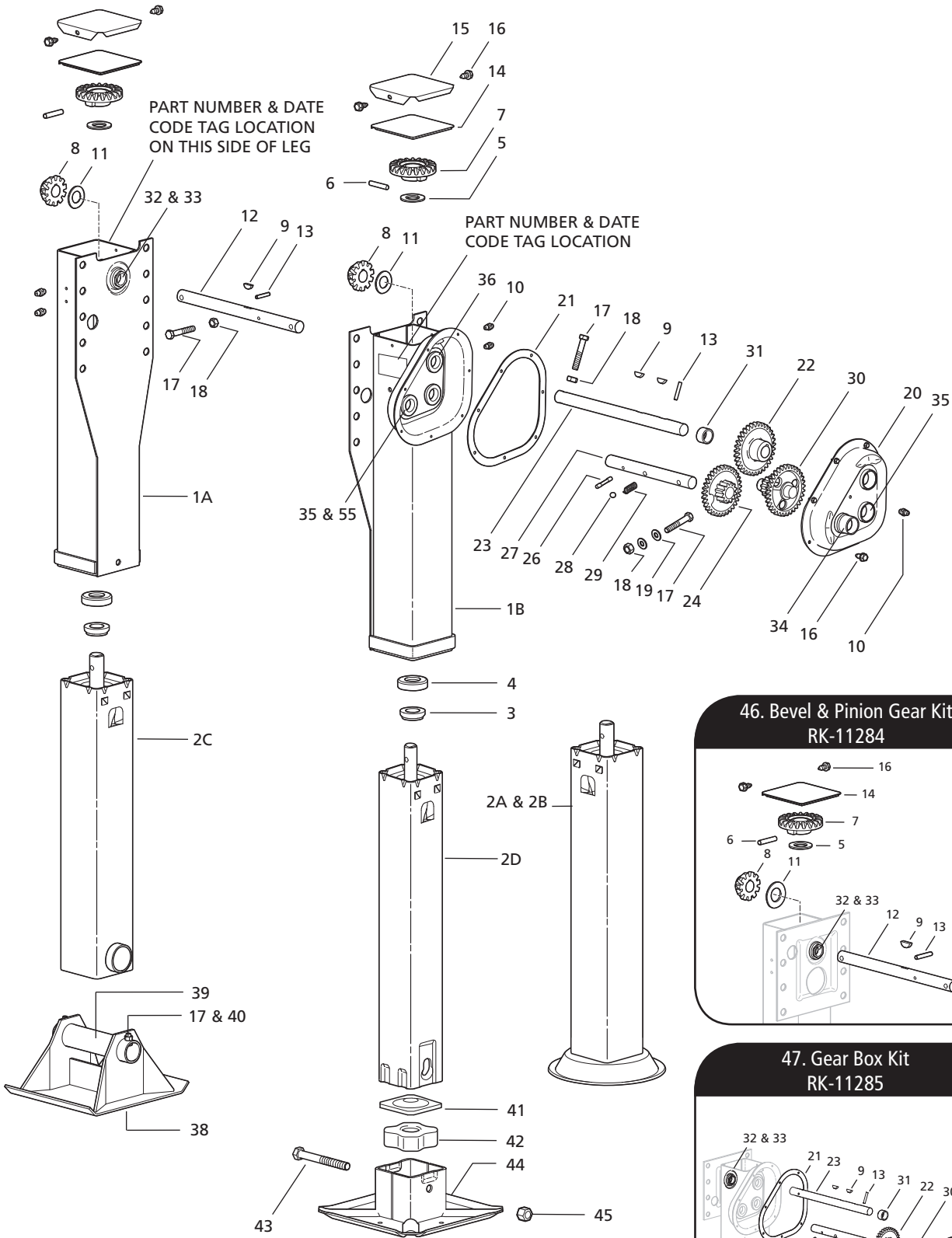
TRAVEL	10x10x4.50 & 10x12x4.50 Sandshoe		10x10x2 & 10x12x2 Sandshoe		SHOCKFOOT		SHOCKFOOT SHOCK CAN		R.C.F. - STD		R.C.F. - MRL		CRANK PART NO.	"C"
	"A"	"B"	"A"	"B"	"A"	"B"	"A"	"B"	"A"	"B"	"A"	"B"		
13.5"	28.69	25.56	26.19	25.56	29.00	28.56	N/A	N/A	27.25	25.56	27.25	25.56	LG0083-01	5.25
15.5"	29.69	26.56	27.19	26.56	N/A	N/A	N/A	N/A	28.25	26.56	28.25	26.56	LG0083-03	10.88
17"	31.19	28.06	28.69	28.06	31.75	30.06	28.75	28.06	31.75	30.06	29.75	28.06	LG0083-05	16.88
19"	33.69	30.06	31.19	30.06	34.25	30.56	N/A	N/A	32.38	30.06	N/A	N/A		

MOUNTING DISTANCES

REVERSE MOUNTING DISTANCE	96" WIDE TRAILER	102" WIDE TRAILER	CONVENTIONAL MOUNTING DISTANCE	96" WIDE TRAILER	102" WIDE TRAILER
Maximum	84.00	90.00	Maximum	67.50	73.50
Minimum - LG0083-01	78.00	84.00	Minimum - LG0083-01	61.50	67.50
Minimum - LG0083-03	66.75	72.75	Minimum - LG0083-03	50.25	56.25
Minimum - LG0083-05	54.75	60.75	Minimum - LG0083-05	38.25	44.25



50000 Standard - Exploded View





NO.	DESCRIPTION	RETRACT TUBE CODE	TRAVEL				
			13.50"	15.50"	17"	17" *CAN	19"
2A	Retract Tube Ass'y - DIA 10" Shock Foot	0 or *6	LG0569-02	N/A	LG0569	LG0569-01	LG0569-04
2B	Retract Tube Ass'y - DIA 12" Shock Foot	0 or *6	LG0580-01	N/A	LG0580-02	LG0580-05	LG0580-03
2C	Retract Tube Ass'y - Axle Socket	0	LG0574-01	LG0574-05	LG0574-02	N/A	LG0574-04
2D	Retract Tube Ass'y - RCF	0 or 5	N/A	N/A	LG0747-504	N/A	LG0747-505

NO.	DESCRIPTION	PART NO.	SPEED	
			ONE	TWO
1A	Upper Housing LH	N/A	-	-
1B	Upper Housing RH	N/A	-	-
3	Collar	XB-LG0544	1	1
4	Thrust Bearing	XB-BRG-013-77	1	1
5	Washer - FL 2"OD x 1.19" ID x .13" THK	XB-PW-016-62	1	1
6	Pin - DIA .38" x 2"	XB-CRP-V-06635	1	1
7	Bevel Gear	XA-LG0570-01	1	1
8	Pinion Gear	LG0531-02	1	1
9	Key - Woodruff .25" x .88"	XB-KEY-018-02	1	2
10	Ftg - Grease .25"-28 Self Tapping	XB-GRF-022-16	2	3
11	Washer - Fl 1.88"OD x 1.02" ID x .06" THK	XB-PW-016-19	1	1
12	Jack Shaft LH - Universal Mount	LG0259	1	-
	- I-Beam Mount	LG0369-01	1	-
	- Conventional Mount	LG0369-05	1	-
	- Reverse Mount	LG0436	1	-
13	Pin - Spring DIA .25" x 1.5"	XB-SP-014-27	1	1
14	Gasket	XB-LG0413	1	1
15	Cover	LG0264	1	1
16	Self-Tapping Screw - .25"-20 x .5" Lg	XB-STS-008-11	2	9
17	Screw - Hex Hd .38"-16 x 2.25" Gr5	XB-HHC-050-42	1	2
18	Self-Locking Nut - .38"-16	XB-SLN-012-04	2	3
19	Washer - .38" Std. Type A	XB-PW-016-03	-	2
20	Gearbox Half, Outside w/Hole for Grease Fitting	XB-LG0663	-	1
20	Gearbox Half, Outside w/Grease Fitting Included	LG0663	-	1
21	Gearbox Gasket	XB-LG0428	-	1
22	Output Gear	LG0543-01	-	1
23	Jackshaft RH - Universal Mount	LG0260	-	1
	- I-Beam Standard Mount	LG0370-01	-	1
	- Conventional Mount	LG0370-05	-	1
	- Reverse Mount	LG0438	-	1
24	Input Gear - High & Low	LG0541-01	-	1
26	Groove Pin - .25" x 1.50" Lg Type E	XB-GP-014-07	-	1
27	Shift Shaft - Universal Mount	LG0261-01	-	1
	- I-Beam & Conventional Mount	LG0371-01	-	1
	- Reverse Mount	LG0437	-	1
28	Shift Lock Ball	XB-BAL-023-07	-	1
29	Shift Lock Spring	XB-SPG-020-36	-	1
30	Idler Gear	XB-LG0542-01	-	1
31	Spacer Bushing	XB-LG0219-01	-	1
32	Retainer - Hex Lock	LG2094	2	1
33	Hex Lock Boss	LG2095	2	1
34	Shift Lock Boss	XB-LG0658-01	-	1
35	Gearbox Boss	XB-LG0659-01	-	4
36	Gearbox Boss - Inside Half	XB-LG0660	-	1

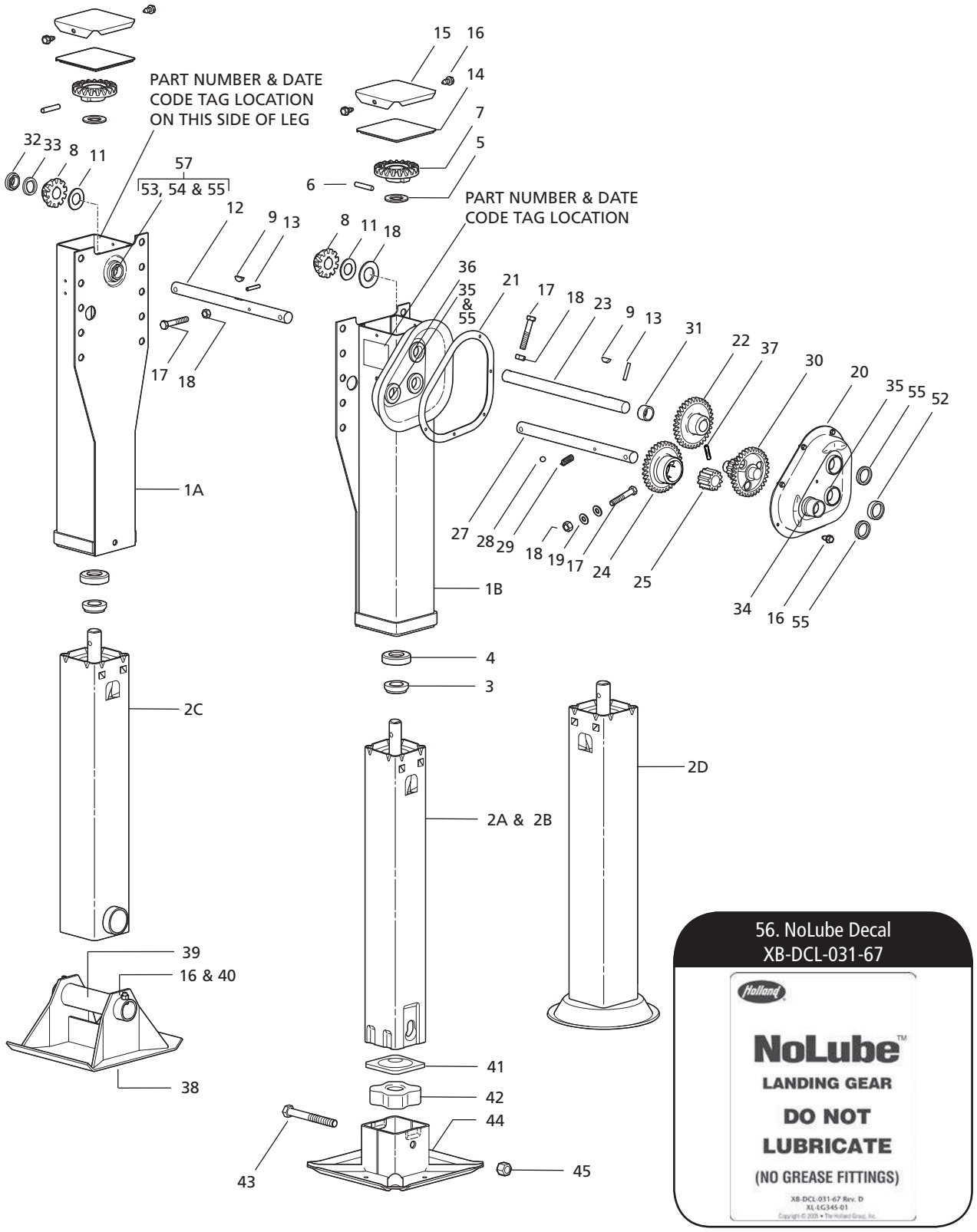
NO.	DESCRIPTION	PART NO.	SPEED	
			ONE	TWO
38	Sandshoe - 10" x 10" x 4.50"	50616001	1	1
	- 10" x 12" x 4.50"	50616000	1	1
	- 10" x 10" x 2.00"	50616008	1	1
	- 10" x 12" x 2.00"	50616007	1	1
39	Sandshoe Axle - Hollow Axle 8.50" Lg	LG0070-02	1	1
40	Screw - Hex Cap .38"-16 x .25" Gr5	XB-HHC-050-69	1	1
41	Cushion Foot Plate	LG0725	1	1
42	Cushion Foot Rubber	XB-LG0726	1	1
43	Bolt - Hex Head .63" -11 x 5.50"	XB-HHB-050-70	1	1
44	R.C.F. - 10" x 10"	LG0732-01	1	1
45	Self-Locking Nut - .63"-11	XB-SP0012-10	1	1
46	Bevel & Pinion Gear Repair Kit	RK-11284	1	1
47	Gear Box Repair Kit	RK-11285	-	1
48	Black Armour™ Touchup Kit (not shown)	RK-10919	1	1

For technical assistance please go to www.safholland.us or call 800.876.3929

50000 NoLube - Exploded View



SAF-HOLLAND Group





NO.	DESCRIPTION	RETRACT TUBE CODE	TRAVEL				
			13.50"	15.50"	17"	17" *CAN	19"
2A	Retract Tube Ass'y - DIA 10" Shock Foot	0 OR *6	N/A	N/A	LG0569-20	LG0569-21	LG0569-22
2B	Retract Tube Ass'y - DIA 12" Shock Foot	0 OR *6	N/A	N/A	LG0580-22	LG0580-23	LG0580-24
2C	Retract Tube Ass'y - Axle Socket	0	LG0574-21	LG0574-25	LG0574-22	N/A	LG0574-24
2D	Retract Tube Ass'y - RCF	0 OR 5	N/A	N/A	LG2744-21	N/A	LG2744-22

NO.	DESCRIPTION	PART NO.	SPEED	
			ONE	TWO
1A	Upper Housing LH	N/A	-	-
1B	Upper Housing RH	N/A	-	-
3	Collar	XB-LG0544	1	1
4	Thrust Bearing	XB-BRG-013-77	1	1
5	Washer - FL 2" OD x 1.19" ID x .13" THK	XB-PW-016-62	1	1
6	Groove Pin - DIA .38" x 2"	XB-CRP-V-06635	1	1
7	Bevel Gear	XA-LG0570-01	1	1
8	Pinion Gear	LG0531-02	1	1
9	Key - Woodruff .25" x .88"	XB-KEY-018-02	1	2
11	Washer - Fl 1.88" OD x 1.02" ID x .06" THK	XB-PW-016-19	1	1
12	Jack Shaft LH - Universal Mount	LG0259	1	-
	- I-Beam Mount	LG0369-01	1	-
	- Conventional Mount	LG0369-05	1	-
	- Reverse Mount	LG0436	1	-
13	Pin - Spring DIA .25" x 1.50"	XB-SP-014-27	1	1
14	Gasket	XB-LG0413	1	1
15	Cover	LG0264	1	1
16	Self-Tapping Screw - .25"-20 x .50" Lg.	XB-STS-008-11	2	9
17	Screw - Hex Hd .38"-16 x 2.25" Lg. Gr5	XB-HHC-050-42	1	2
18	Self-Locking Nut - .38"-16	XB-SLN-012-04	2	3
19	Washer - .38" Std. Type A	XB-PW-016-03	-	2
20	Gearbox Half Assy - Outside - Sealed	LG0663-11	-	1
21	Gearbox Gasket	XB-LG0428	-	1
22	Output Gear	LG0543-01	-	1
23	Jackshaft RH - Universal Mount	LG0260	-	1
	- I-Beam Mount	LG0370-01	-	1
	- Conventional Mount	LG0370-05	-	1
	- Reverse Mount	LG0438	-	1
24	Input Gear - High	XD-LG0856	-	1
25	Input Gear - Low	XB-LG0857-01	-	1
27	Shift Shaft - Universal EZ Shift	LG0861-01	-	1
	- I-Beam & Conventional EZ Shift	LG0859-01	-	1
	- Reverse EZ Shift	LG0858	-	1
28	Shift Lock Ball	XB-BAL-023-07	-	1
29	Shift Lock Spring	XB-SPG-020-36	-	1
30	Idler Gear	XB-LG0542-01	-	1
31	Spacer Bushing	XB-LG0219-01	-	1
32	Retainer - Hex Lock	XB-LG1570	1	-
33	Hex Lock Boss w/Seals	LG0559-10	1	-
34	Shift Lock Boss	XB-LG0658-01	-	1
35	Gearbox Boss	XB-LG0659-01	-	4
36	Gearbox Boss - Inside Half	XB-LG0660	-	1
37	Groove Pin - .25" x 1.25" Type E	XB-GP-052-22	-	1

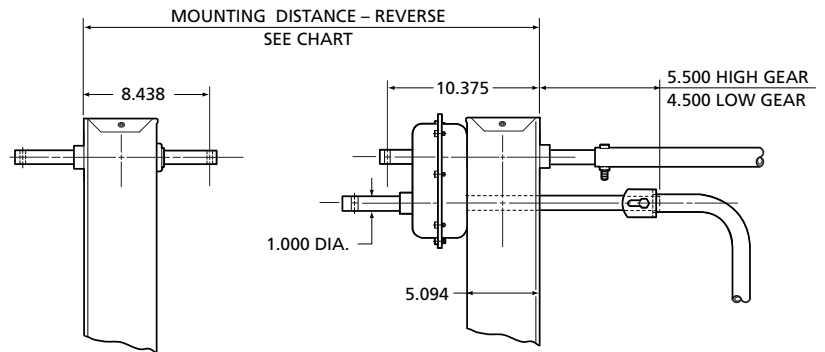
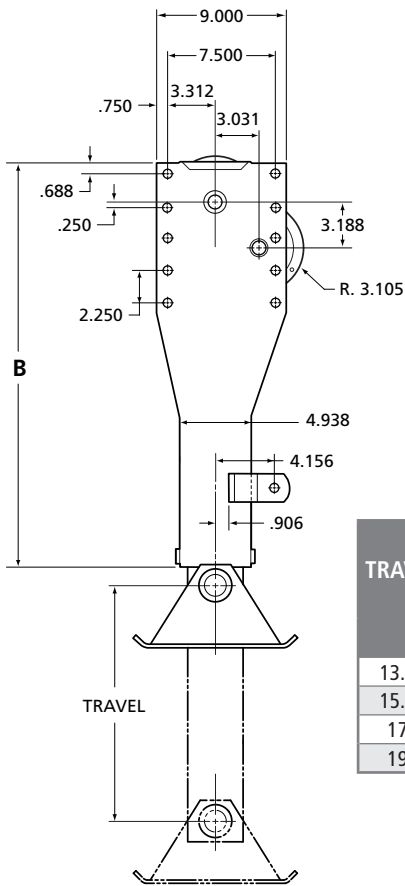
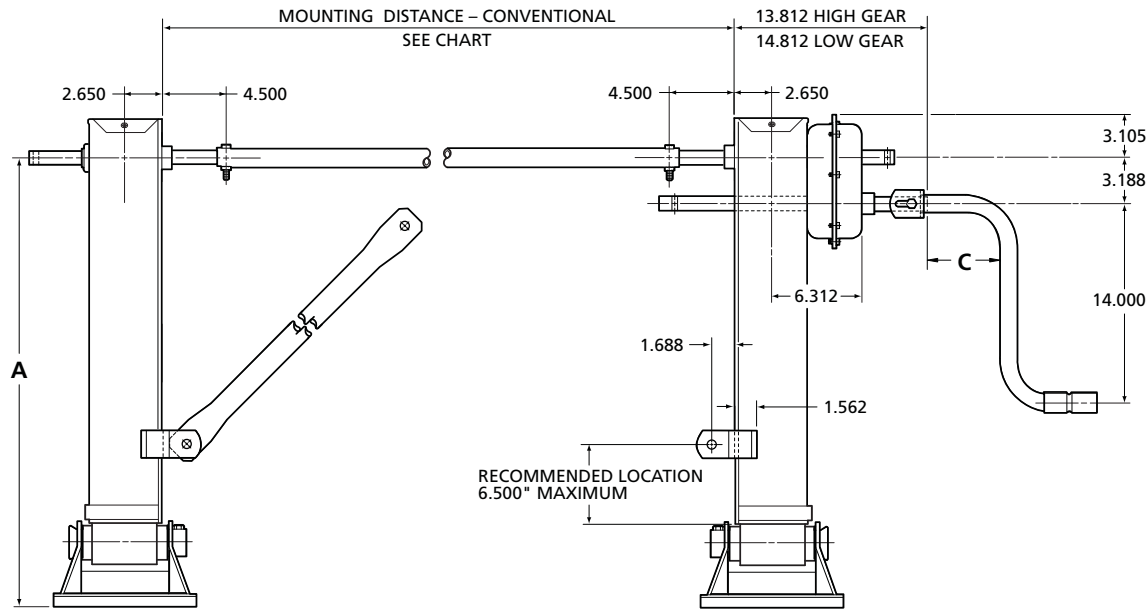
NO.	DESCRIPTION	PART NO.	SPEED	
			ONE	TWO
38	Sandshoe - 10" x 10" x 4.50"	50616001	1	1
	- 10" x 12" x 4.50"	50616000	1	1
	- 10" x 10" x 2.00"	50616008	1	1
	- 10" x 12" x 2.00"	50616007	1	1
39	Sandshoe Axle - Hollow Axle 8.50" Lg	LG0070-02	1	1
40	Screw - Hex Cap .38"-16 x .75" GR5	XB-HHC-050-69	1	1
41	Cushion Foot Plate	LG0725	1	1
42	Cushion Foot Rubber	XB-LG0726	1	1
43	Bolt - Hex Head .63" -11 x 5.50"	XB-HHB-050-70	1	1
44	R.C.F. - 10" x 10"	LG0732-01	1	1
45	Self-Locking Nut - .63"-11	XB-SP0012-10	1	1
52	Freeze Plug	XB-SEL-030-22	-	1
53	Bushing	XB-LG0219-02	1	1
54	Short Boss	LG1326	1	1
55	Oil Seal	XB-SEL-030-17	1	4
56	NoLube Decal	XB-DCL-031-67	-	1
57	Bearing Boss Assy w/Oil Seal	LG1367-10	1	1
58	Black Armour™ Touchup Kit (not shown)	RK-10919	1	1

For technical assistance please go to www.safholland.us or call 800.876.3929

50000 - Dimensions & Mounting Distances



SAF-HOLLAND Group

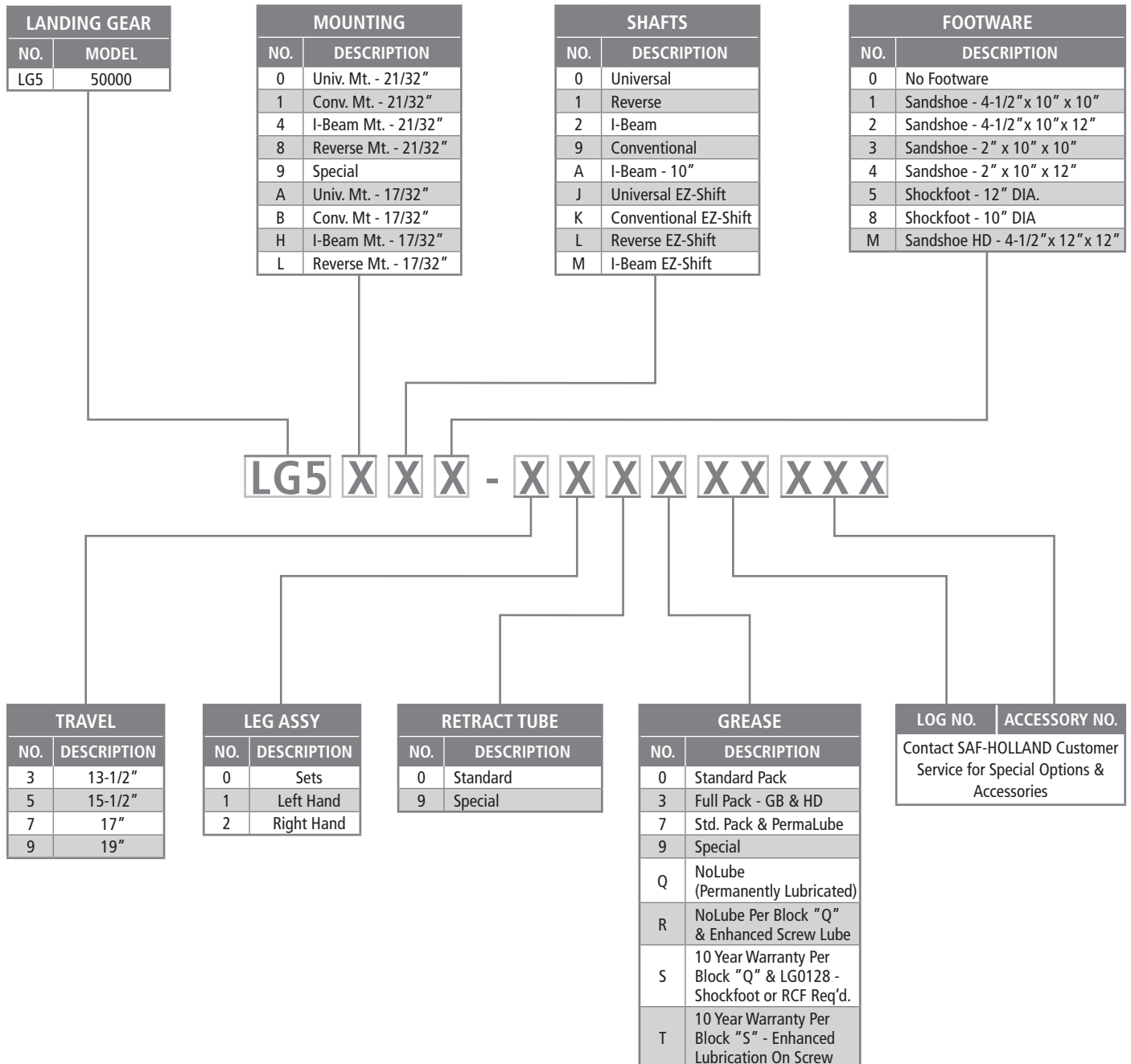


50000 DIMENSIONS

TRAVEL	10x10x4.50 & 10x12x4.50 Sandshoe		10x10x2 & 10x12x2 Sandshoe		SHOCKFOOT		SHOCKFOOT SHOCK CAN		R.C.F. - STD		R.C.F. - MRL		CRANK PART NO.	"C"
	"A"	"B"	"A"	"B"	"A"	"B"	"A"	"B"	"A"	"B"	"A"	"B"		
13.5"	28.69	25.56	26.19	25.56	29.00	28.56	N/A	N/A	27.25	25.56	27.25	25.56	LG0083-01	5.25
15.5"	29.69	26.56	27.19	26.56	N/A	N/A	N/A	N/A	28.25	26.56	28.25	26.56	LG0083-03	10.88
17"	31.19	28.06	28.69	28.06	31.75	30.06	28.75	28.06	31.75	30.06	29.75	28.06	LG0083-05	16.88
19"	33.69	30.06	31.19	30.06	34.25	30.56	N/A	N/A	32.38	30.06	N/A	N/A		

MOUNTING DISTANCES

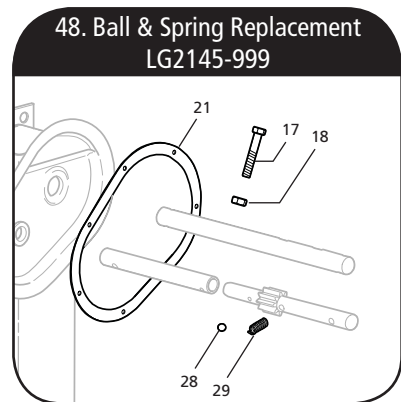
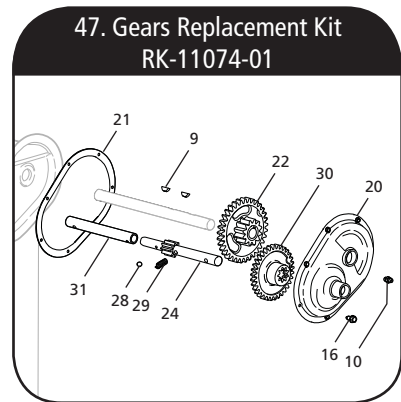
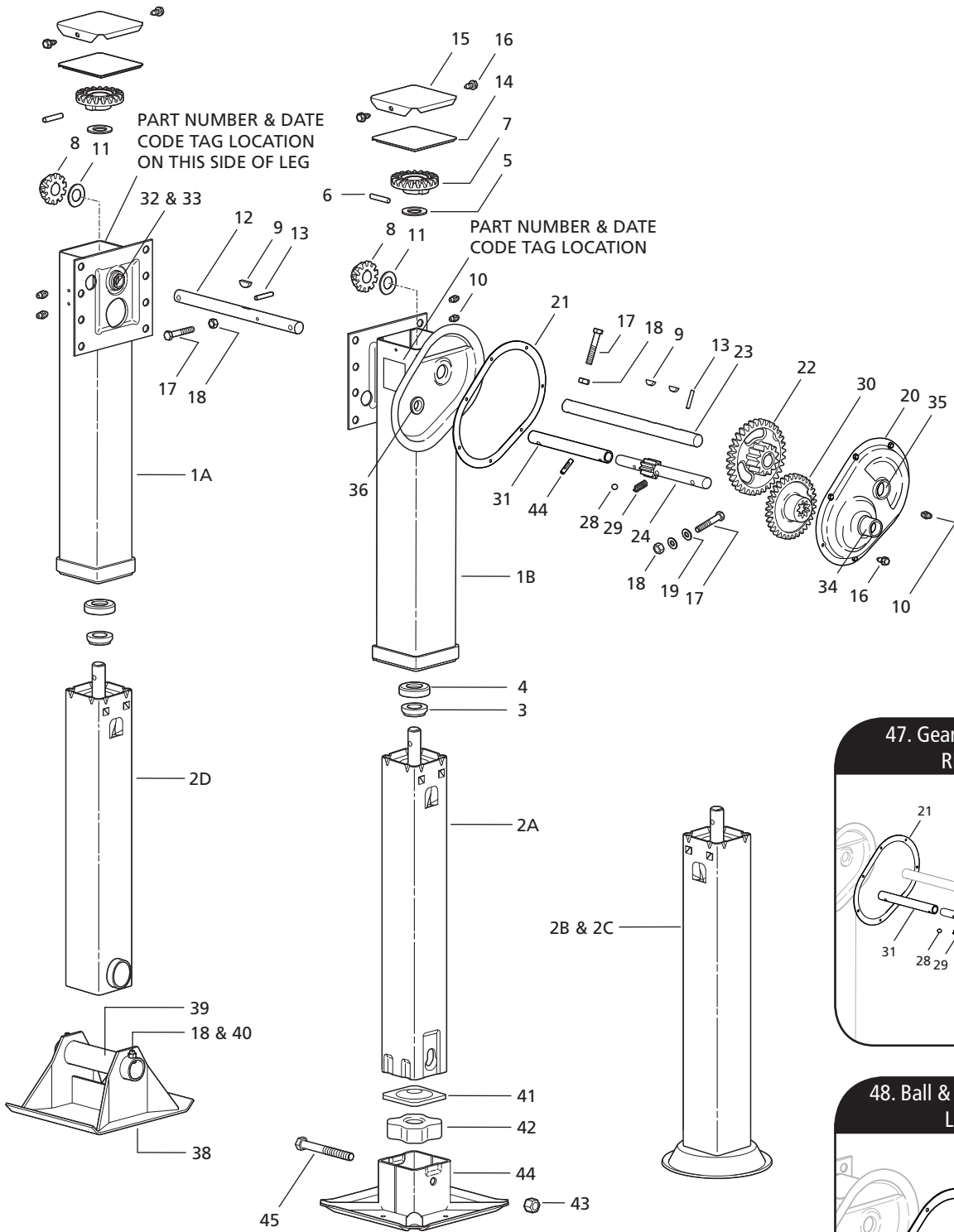
REVERSE MOUNTING DISTANCE	96" WIDE TRAILER	102" WIDE TRAILER	CONVENTIONAL MOUNTING DISTANCE	96" WIDE TRAILER	102" WIDE TRAILER
Maximum	85.000	91.000	Maximum	66.38	72.38
Minimum - LG0083-01	79.000	85.000	Minimum - LG0083-01	60.38	66.38
Minimum - LG0083-03	67.750	73.750	Minimum - LG0083-03	49.125	55.125
Minimum - LG0083-05	55.750	61.750	Minimum - LG0083-05	37.125	43.125



FG4000 Fast Gear Standard - Exploded View



SAF-HOLLAND Group



NOTE: CLOTH BAG & UTILITY CLOTH INCLUDED (NOT SHOWN)

**DISCONTINUED MODEL
SERVICE PARTS ONLY**
Please contact Customer Service for part availability
800.876.3929



FG4000 Fast Gear Standard - Parts List

NO.	DESCRIPTION	PART NO.	SPEED	
			ONE	TWO
1A	Upper Housing LH	N/A	1	-
1B	Upper Housing RH	N/A	-	1
2A	Retract Tube - RCF	N/A	1	1
2B	Retract Tube - 10" Shockfoot	N/A	1	1
2C	Retract Tube - 12" Shockfoot	N/A	1	1
2D	Retract Tube - Sandshoe	N/A	1	1
3	Collar	XB-LG0544	1	1
4	Thrust Bearing	XB-BRG-013-77	1	1
5	Washer - FL 2"OD x 1.19" ID x .13" THK	XB-PW-016-62	1	1
6	Pin - .38" x 2.00"	XA-CRP-V-06635	1	1
7	Bevel Gear	XA-LG0570-01	1	1
8	Pinion Gear	XB-LG1823-01	1	1
9	Woodruff Key - .25" x .82"	XB-KEY-018-02	1	2
10	Grease Fitting - .25"-28 - Self-Tapping	XB-GRF-022-16	2	3
11	Washer - FL 1.88"OD x 1.02"ID x .63"THK	XB-PW-016-19	1	1
12	Jack Shaft LH - Universal Mount	LG0927	1	-
	- I-Beam Mount	LG0946	1	-
	- Conventional Mount	LG0946-02	1	-
	- Reverse Mount	LG0948	1	-
13	Spring Pin - .25" x 1.50"	XB-SP-014-27	1	1
14	Gasket	XB-LG0893	1	1
15	Cover	XA-LG0880	1	1
16	Self-Tapping Screw - .25"-20 x .50" Lg	XB-STS-008-11	2	9
17	Screw - Hex Cap - .38"-16 x 2.25" Lg GR5	XB-HHC-050-42	1	2
18	Self-Locking Nut - .38"-16	XB-SLN-012-04	2	3
19	Washer - .38" Std Type A	XB-PW-016-03	-	2
20	Gearbox Half - Outside w/Hole for Greasefitting	LG0944-100	-	1
21	Gearbox Gasket	XB-LG0891	-	1
22	Output Gear	LG0936-51	-	1
23	Jack Shaft RH - Universal Mount	LG2147	-	1
	- I-Beam Mount	LG2187	-	1
	- Conventional Mount	LG2187-01	-	1
	- Reverse Mount	LG2197	-	1
24	Input Gear - Low - Universal, I-Beam, Conv. Mount	LG2463-01	-	1
	- Reverse Mount	LG2464-01	-	1
28	Shift Lock Ball	XB-BAL-023-07	-	1
29	Shift Lock Spring	XB-SPG-020-36	-	1
30	Input Gear - High	LG2465-01	-	1
31	Shift Shaft Extension - Universal, Reverse	LG2462	-	1
32	Retainer - Hex Lock	LG2094	2	1
33	Boss - Hex Lock	LG2095	2	1
34	Shift Lock Boss	XB-LG0658-01	-	1
35	Gearbox Boss	XB-LG0659-01	-	1
36	Gearbox Boss - Inside Half	XB-LG0931	-	1
38	Sandshoe - 10" x 10" x 4.50"	LG0055	1	1
	- 10" x 12" x 4.50"	LG0050	1	1
	- 10" x 10" x 2"	LG0056	1	1
	- 10" x 12" x 2"	LG0051	1	1
39	Sandshoe Axle - Hollow Axle 8.50" Lg	LG0070-02	1	1

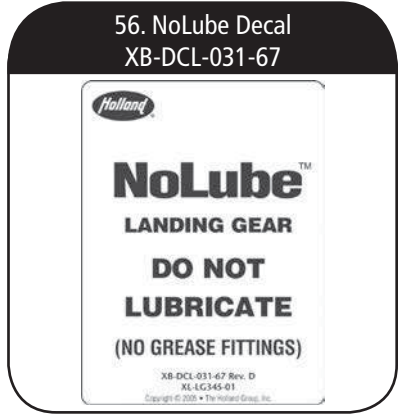
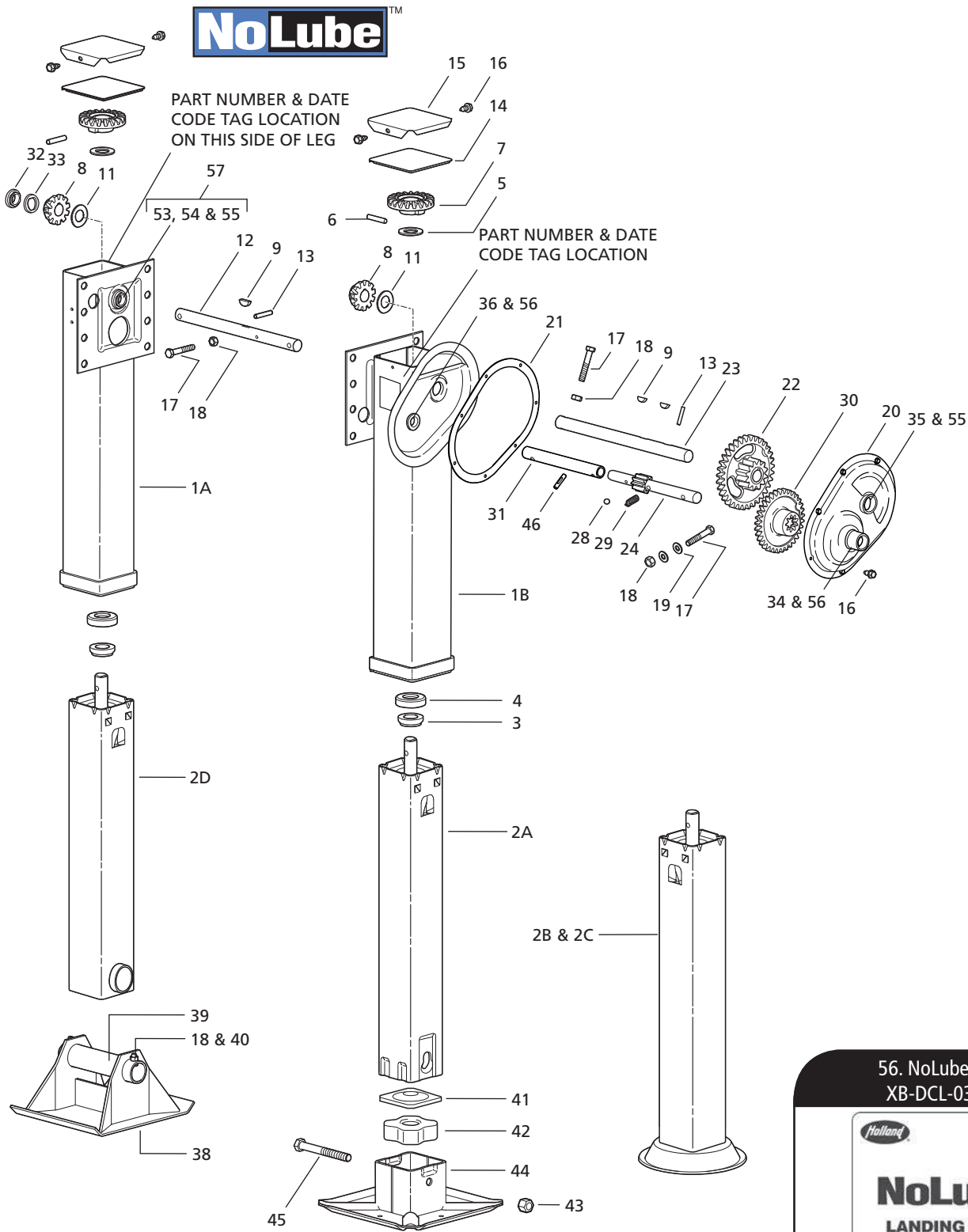
NO.	DESCRIPTION	PART NO.	SPEED	
			ONE	TWO
40	Screw - Hex Cap - .38"-16 x .75" GR5	XB-HHC-050-69	1	1
41	Cushion Foot Plate	LG0725	1	1
42	Cushion Foot Rubber	XB-LG0726	1	1
43	Bolt - Hex Head - .63"-11 x 5.50"	XB-HHB-050-70	1	1
44	R.C.F. - 10" x 10"	LG0718-01	1	1
	- DIA 12"	LG0740-01	1	1
	- DIA 10"	LG0732-01	1	1
45	Self-Locking Nut - .63"-11	XB-SP0012-10	1	1
46	Groove Pin - .25" x 1.13" Type E - Univ & Rev.	XB-GP-052-49	-	1
47	Gears Replacement Kit	RK-11074-01	-	1
48	Ball & Spring Replacement Kit	LG2145-999	-	1
55	Oil Seal	XB-SEL-030-17	-	1

For technical assistance please go to www.safholland.us or call 800.876.3929

FG4000 Fast Gear NoLube™ - Exploded View



SAF-HOLLAND Group



DISCONTINUED MODEL SERVICE PARTS ONLY
Please contact Customer Service for part availability
800.876.3929



FG4000 Fast Gear NoLube™ - Parts List

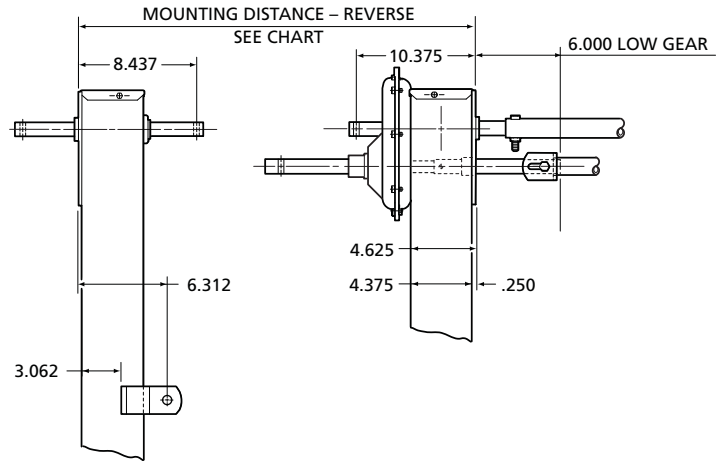
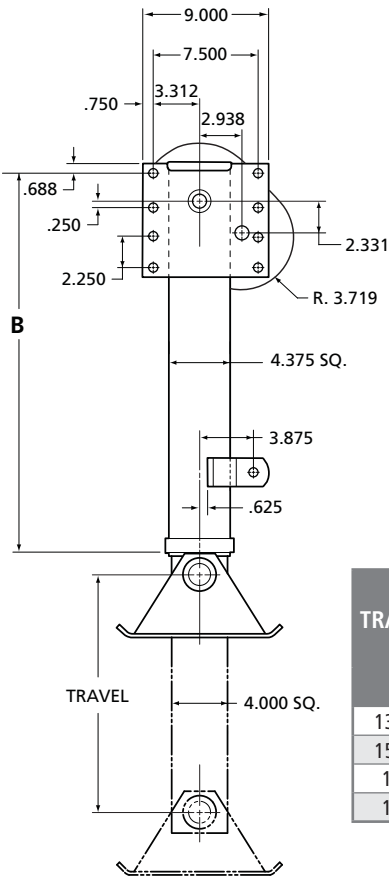
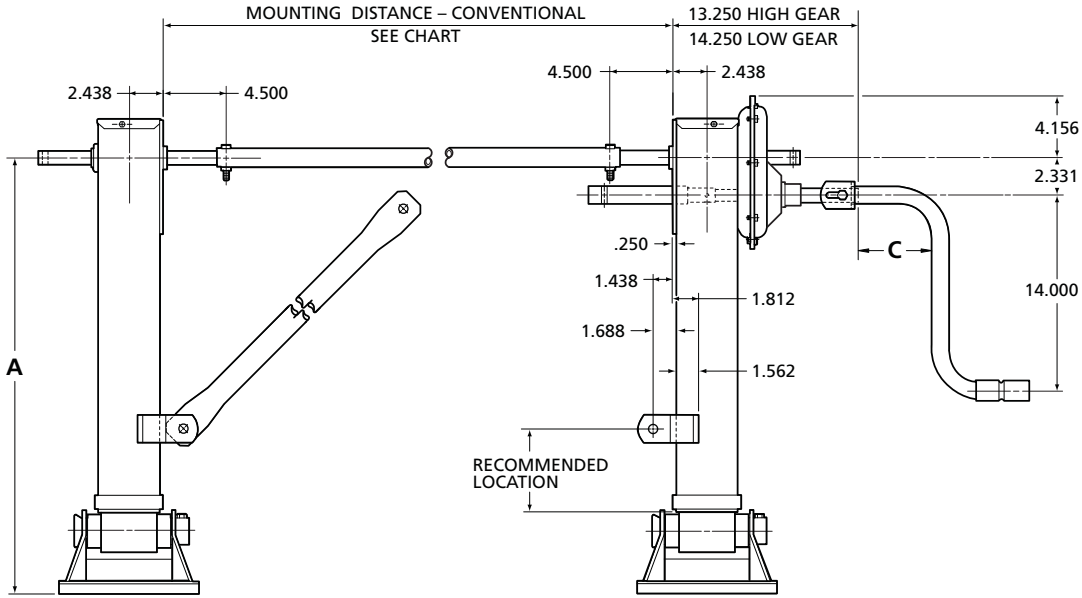
NO.	DESCRIPTION	PART NO.	SPEED	
			ONE	TWO
1A	Upper Housing LH	N/A	1	-
1B	Upper Housing RH	N/A	-	1
2A	Retract Tube - RCF	N/A	1	1
2B	Retract Tube - 10" Shockfoot	N/A	1	1
2C	Retract Tube - 12" Shockfoot	N/A	1	1
2D	Retract Tube - Axle	N/A	1	1
3	Collar	XB-LG0544	1	1
4	Thrust Bearing	XB-BRG-013-77	1	1
5	Washer - FL 2"OD x 1.19" ID x .13"THK	XB-PW-016-62	1	1
6	Groove Pin - DIA .38" x 2"	XA-CRP-V-06635	1	1
7	Bevel Gear	XA-LG0570-01	1	1
8	Pinion Gear	XB-LG1823-01	1	1
9	Woodruff Key - .25" x .88"	XB-KEY-018-02	1	2
11	Washer - 1.88"OD x 1.02"ID x .63"THK	XB-PW-016-19	1	1
12	Jack Shaft LH - Universal Mount	LG0927	1	-
	- I-Beam Mount	LG0946	1	-
	- Conventional Mount	LG0946-02	1	-
	- Reverse Mount	LG0948	1	-
13	Spring Pin - .25" x 1.50"	XB-SP-014-27	1	1
14	Cover Gasket	XB-LG0893	1	1
15	Top Cover	XA-LG0880	1	1
16	Self-Tapping Screw - .25"-20 x .50" Lg	XB-STS-008-11	2	9
17	Screw - Hex Cap - .38"-16 x 2.25 GR5	XB-HHC-050-42	1	2
18	Self-Locking Nut - .38"-16	XB-SLN-012-04	2	3
19	Washer - .38 Std Type A	XB-PW-016-03	-	2
20	Gearbox Half - Outside w/Hole for Greasefitting	LG0944-10	-	1
21	Gearbox Gasket	XB-LG0891	-	1
22	Output Gear	LG0936-51	-	1
23	Jack Shaft RH - Universal Mount	LG2147	-	1
	- I-Beam Mount	LG2187	-	1
	- Conventional Mount	LG2187-01	-	1
	- Reverse Mount	LG2197	-	1
24	Input Gear - Low - Universal, I-Beam, & Conv. Mount	LG2463-01	-	1
	- Low - Reverse Mount	LG2464-01	-	1
28	Shift Lock Ball	XB-BAL-023-07	-	1
29	Shift Lock Spring	XB-SPG-020-36	-	1
30	Input Gear - High	LG2465-01	-	1
31	Shift Shaft Extension - Universal & Reverse	LG2462	-	1
32	Retainer - Hex Lock	XB-LG1570	1	-
33	Boss - Hex Lock w/Seals	LG0559-10	1	-
34	Shift Lock Boss	XB-LG0658-01	-	1
35	Gearbox Boss	XB-LG0659-01	-	2
36	Gearbox Boss - Inside Half	XB-LG0931	-	1
38	Sandshoe - 10" x 10" x 4.50"	LG0055	1	1
	- 10" x 12" x 4.50"	LG0050	1	1
	- 10" x 10" x 2"	LG0056	1	1
	- 10" x 12" x 2"	LG0051	1	1
39	Sandshoe Axle - Hollow Axle - 8.50 Lg	LG0070-02	1	1

NO.	DESCRIPTION	PART NO.	SPEED	
			ONE	TWO
40	Screw - Hex Cap - .38"-16 x .75" GR5	XB-HHC-050-69	1	1
41	Cushion Foot Plate	LG0725	1	1
42	Cushion Foot Rubber	XB-LG0726	1	1
43	Bolt - Hex Head - .63"-11 x 5.50"	XB-HHB-050-70	1	1
44	R.C.F. - 10" x 10"	LG0732-01	1	1
	- DIA 10"	LG0718-01	1	1
	- DIA 12"	LG0740-01	1	1
45	Self-Locking Nut - .63"-11	XB-SP0012-10	1	1
46	Groove Pin - .25" x 1.13" Type E	XB-GP-052-49	-	1
53	Bushing	XB-LG0219-02	1	1
54	Boss - Short	LG1326	1	1
55	Oil Seal	XB-SEL-030-17	1	3
56	Oil Seal	XB-SEL-030-18	-	1
57	Bearing Boss Ass'y. w/Oil Seal	LG1367-10	1	1
58	NoLube Decal	XB-DCL-031-67	-	1

For technical assistance please go to www.safholland.us or call 800.876.3929

FG4000 Fast Gear - Dimensions & Mounting Distances

SAF-HOLLAND Group



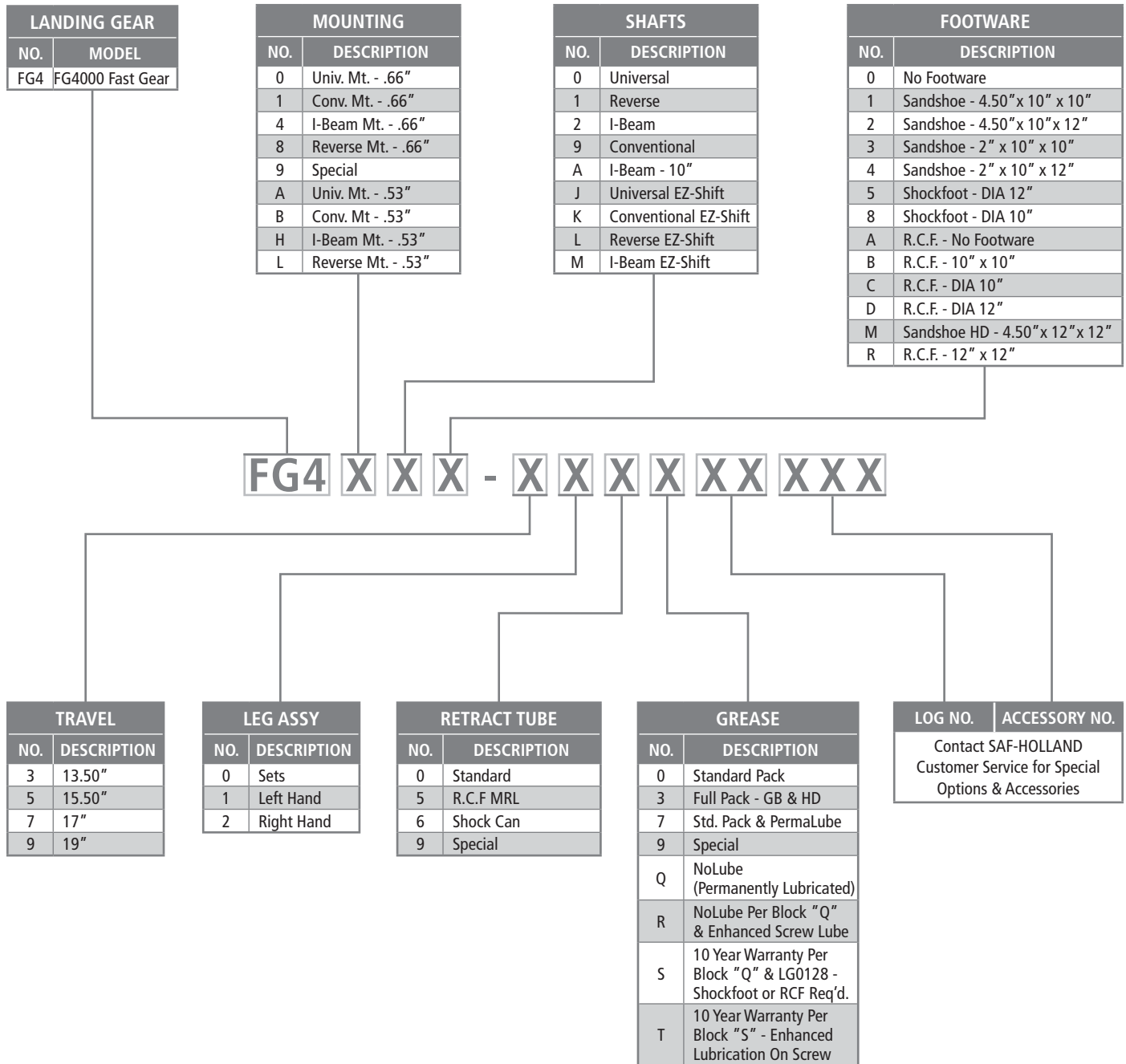
FG4000 DIMENSIONS

TRAVEL	10x10x4.50 & 10x12x4.50 Sandshoe		10x10x2 & 10x12x2 Sandshoe		SHOCKFOOT		SHOCKFOOT SHOCK CAN		R.C.F. - STD		R.C.F. - MRL		CRANK PART NO.	"C"
	"A"	"B"	"A"	"B"	"A"	"B"	"A"	"B"	"A"	"B"	"A"	"B"		
13.5"	28.69	25.56	26.19	25.56	29.00	28.56	N/A	N/A	27.25	25.56	27.25	25.56	LG0083-01	5.25
15.5"	29.69	26.56	27.19	26.56	N/A	N/A	N/A	N/A	28.25	26.56	28.25	26.56	LG0083-03	10.88
17"	31.19	28.06	28.69	28.06	31.75	30.06	28.75	28.06	31.75	30.06	29.75	28.06	LG0083-05	16.88
19"	33.69	30.06	31.19	30.06	34.25	30.56	N/A	N/A	32.38	30.06	N/A	N/A		

MOUNTING DISTANCES

REVERSE MOUNTING DISTANCE	96" WIDE TRAILER	102" WIDE TRAILER	CONVENTIONAL MOUNTING DISTANCE	96" WIDE TRAILER	102" WIDE TRAILER
Maximum	84.00	90.00	Maximum	67.50	73.50
Minimum - LG0083-01	78.00	84.00	Minimum - LG0083-01	61.50	67.50
Minimum - LG0083-03	66.75	72.75	Minimum - LG0083-03	50.25	56.25
Minimum - LG0083-05	54.75	60.75	Minimum - LG0083-05	38.25	44.25

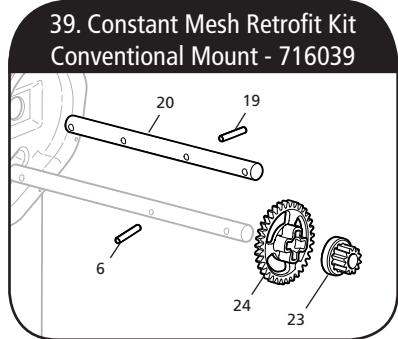
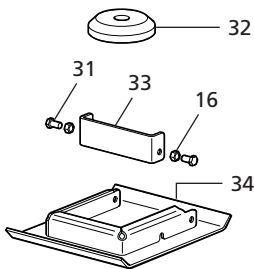
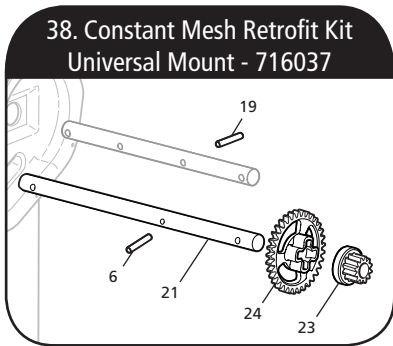
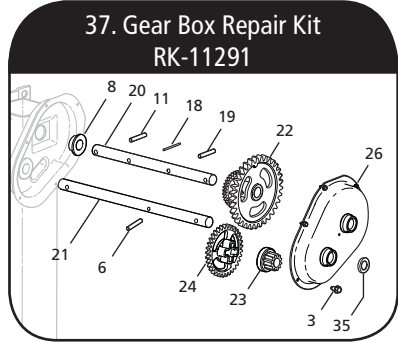
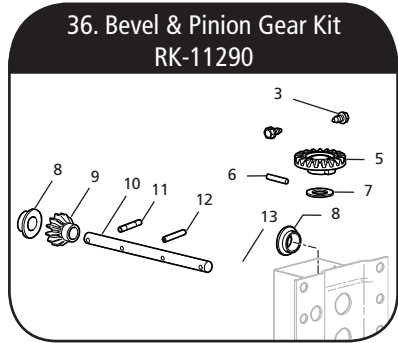
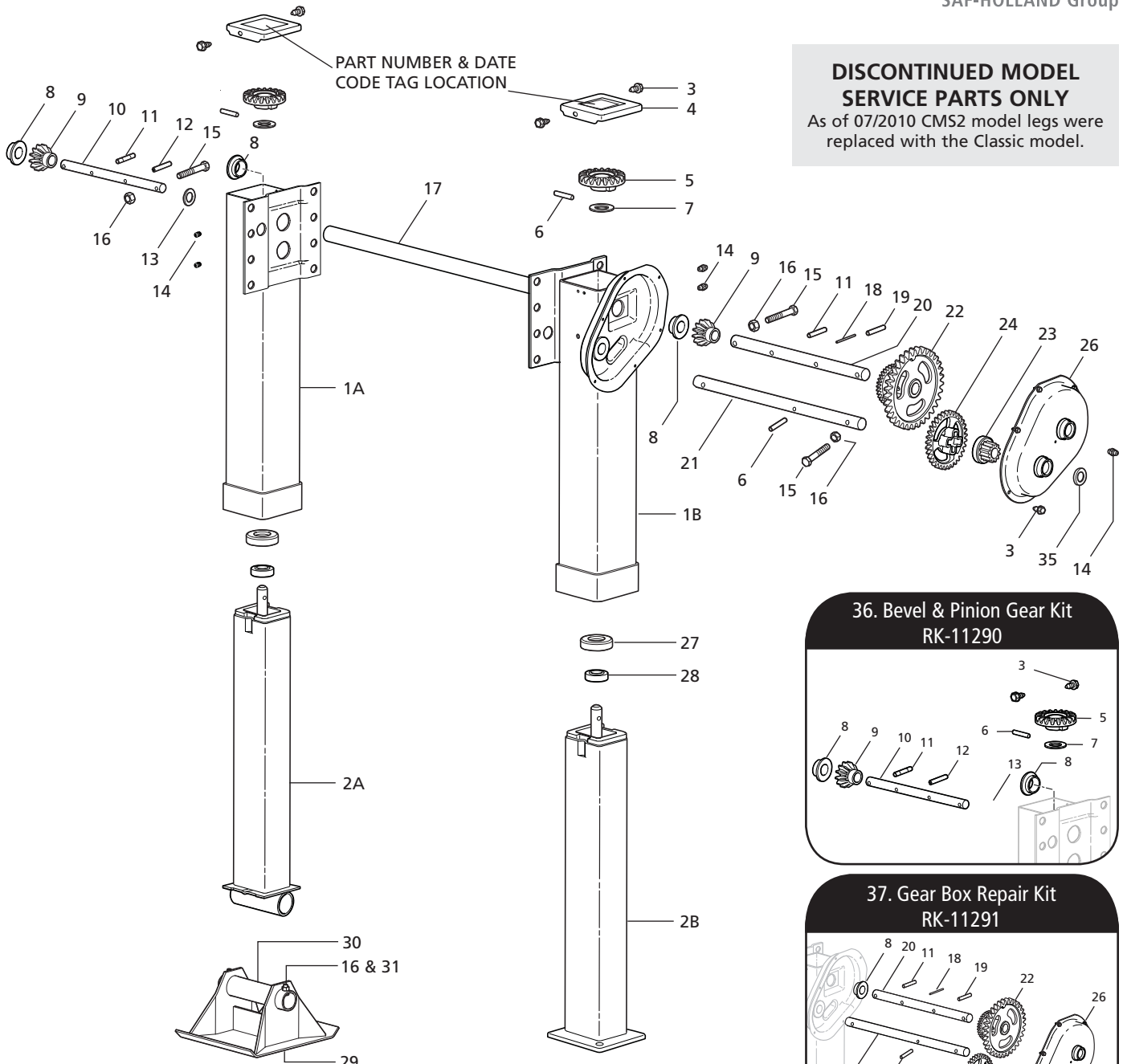
Service Parts Only.
 Individual Legs and Sets are no longer available.
 Ordering Code provided for reference only.



CMS2 - Exploded View

SAF-HOLLAND Group

**DISCONTINUED MODEL
SERVICE PARTS ONLY**
As of 07/2010 CMS2 model legs were replaced with the Classic model.





NO.	DESCRIPTION	PART NO.	SPEED	
			ONE	TWO
1A	Upper Leg Assy LH - 1-Speed	N/A	1	-
1B	Upper Leg Assy RH - 2-Speed	N/A	-	1
2A	Lower Leg Assy - Sandshoe	N/A	1	1
2B	Lower Leg Assy - Removable Cushion Foot	N/A	1	1
3	Self-Tapping Screw - .25"-20 x .50"	XB-ST5-008-11	2	8
4	Cover - Square Leg	751612	1	1
	- Round Leg	751601	1	1
5	Bevel Gear	730590	1	1
6	Groove Pin - .31" x 1.50"	725046	1	2
7	Washer - Hardened	XB-PW-016-62	1	1
8	Shaft Bushing - Square Leg	724037	2	1
	- Round Leg	724036	2	1
9	Pinion Gear	730011	1	1
10	Jack Shaft LH - Universal Mount	750004	1	-
	- Conventional Mount	750450	1	-
	- Reverse Mount	750452	1	-
11	Spring Pin - .38" x 1.38"	725002	1	1
12	Spring Pin - .25" x 1.25"	725001	1	-
13	Flat Washer	XB-PW-016-13	1	-
14	Grease Fitting	727000	2	3
15	Hex Cap Screw - .38"-16 x 2.25"	XB-HHC-050-42	1	2
16	Self-Locking Nut - .38"-16 - Cross Drive Shaft	XB-SLN-012-04	1	2
	- .38"-16 - Sandshoe	XB-SLN-012-04	1	1
	- .38"-16 - RCF	XB-SLN-012-04	2	2
17	Cross Drive Shaft	LG0094-XXXX	1	-
18	Wire	729002	-	1
19	Spring Pin - .38" x 1.50"	725003	-	1
20	Jack Shaft RH - Universal Mount	750002	-	1
	- Conventional Mount	750241	-	1
	- Reverse Mount	750245	-	1
21	Shift Shaft - Universal & Reverse Mount	751175	-	1
	- Conventional Mount	751198	-	1
22	Output Gear	750009	-	1
23	Input Gear - Low	751173	-	1
24	Input Gear - High	751174	-	1
26	Outside Cover Assembly	741158	-	1
27	Collar - Elevating Screw	730007	1	1
28	Bearing	729108	1	1
29	Sandshoe - 10" x 10" x 4.50" - Code 444	50616001	1	1
	- 10" x 10" x 2.00" - Code 400	50616008	1	1
30	Sandshoe Axle - Hollow Axle 8.50" Lg.	LG0070-02	1	1
31	Hex Cap Screw - .38"-16 x .75" - Sandshoe	XB-HHC-050-69	1	1
	- .38"-16 x .75" - RCF	XB-HHC-050-69	2	2
32	Cushion Foot Pad - RCF	728003	1	1
33	Interchangeable Strap - RCF	730638	1	1
34	RCF - 10" x 10"	730640	1	1
35	Seal	728000	-	1
36	Bevel & Pinion Gear Repair Kit	RK-11290	1	1
37	Gear Box Repair Kit	RK-11291	-	1
38	Constant Mesh Retrofit Kit - Universal Mount	716037	-	1
39	Constant Mesh Retrofit Kit - Conventional Mount	716039	-	1

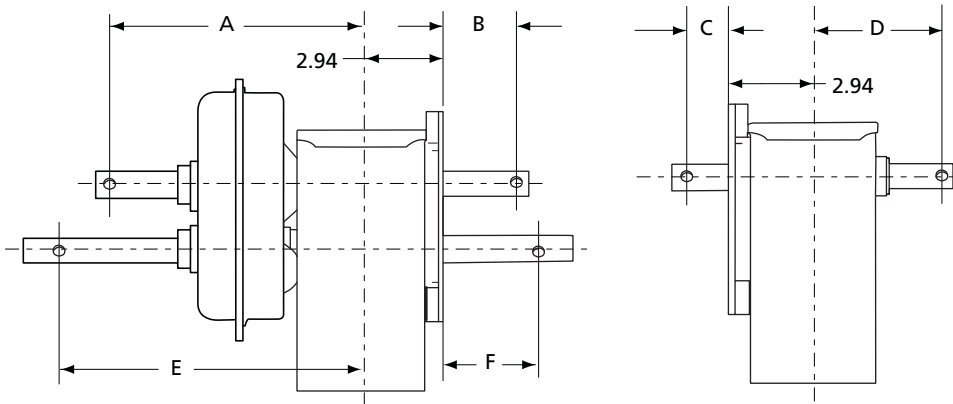
For technical assistance please go to www.safholland.us or call 800.876.3929



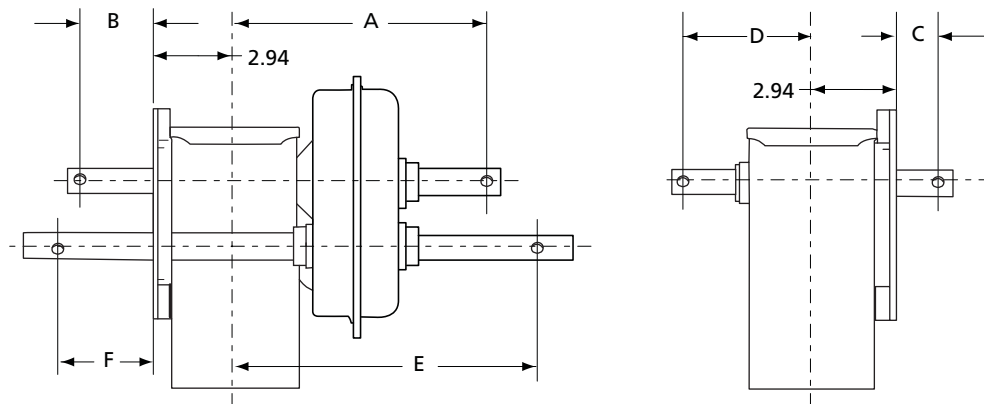
THIS PAGE INTENTIONALLY LEFT BLANK

MOUNTING CONFIGURATION	"A"	"B"	"C"	"D"	"E" LOW GEAR	"E" HIGH GEAR	"F" LOW GEAR	"F" HIGH GEAR
Universal Mount	9.00	2.56	1.56	4.5	10.82	10.31	3.36	3.87
Outside Mount	No Hole	2.56	1.56	No Hole	10.82	10.31	No Hole	No Hole
Inside Mount	9.00	No Hole	No Hole	4.5	10.82	10.31	3.36	3.87

Outside Mounting
shown with Universal Shafts



Inside Mounting
shown with Universal Shafts

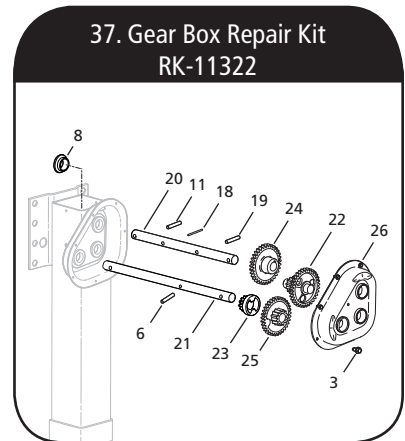
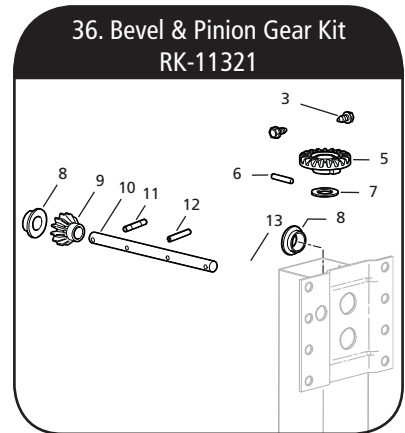
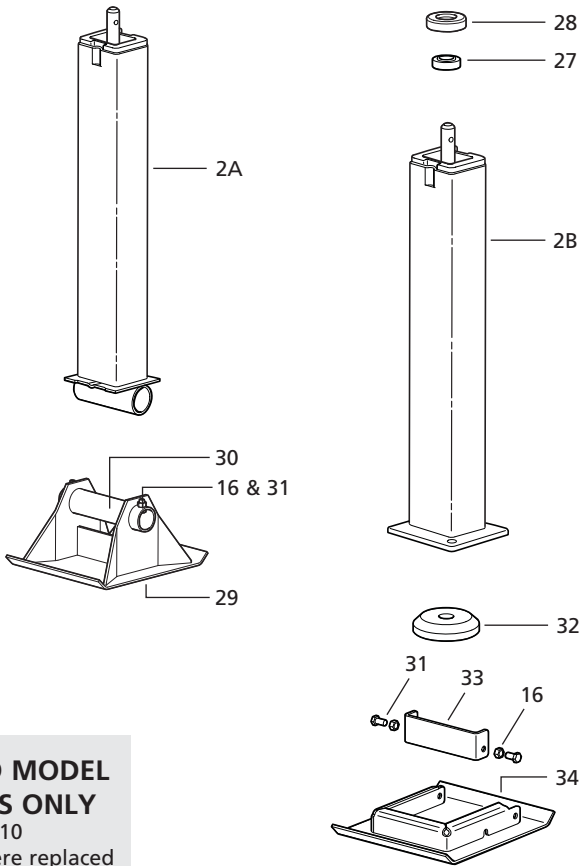
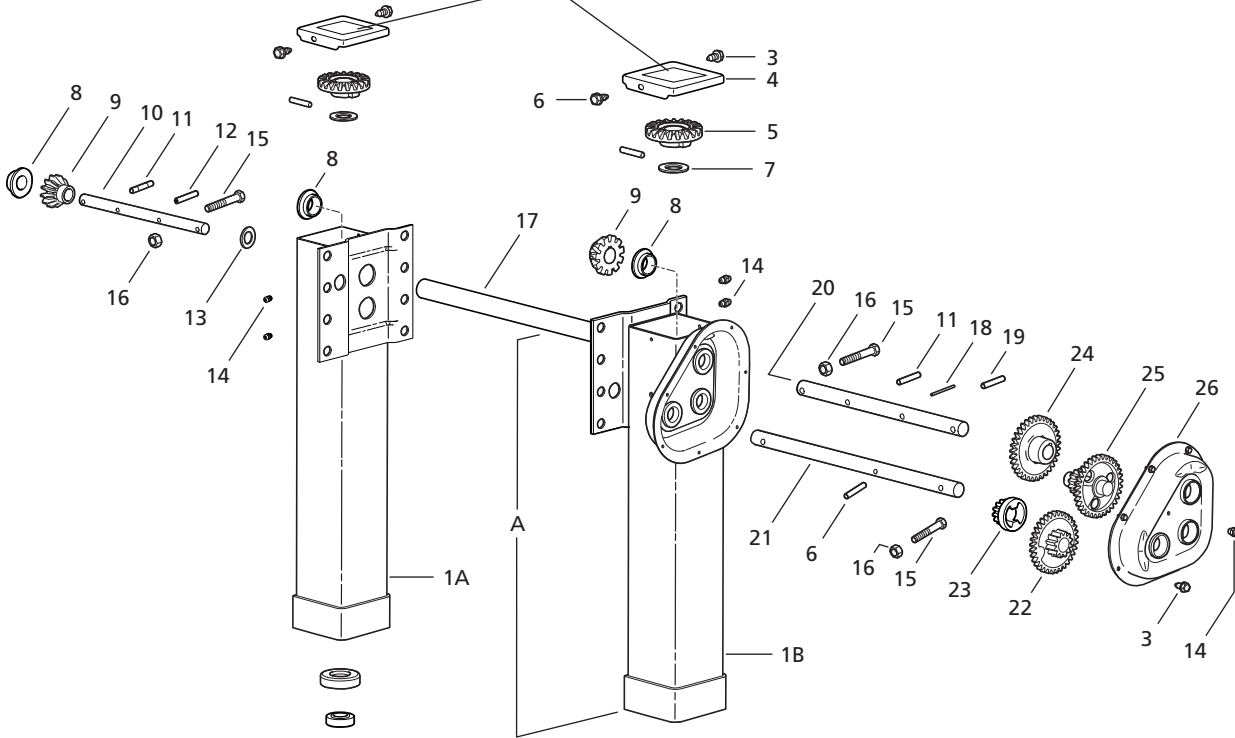


CMS3 - Exploded View



SAF-HOLLAND Group

PART NUMBER & DATE
CODE TAG LOCATION



**DISCONTINUED MODEL
SERVICE PARTS ONLY**
As of 09/2010
CMS3 model legs were replaced
with the Atlas 55 model.



NO.	DESCRIPTION	PART NO.	SPEED	
			ONE	TWO
1A	Upper Leg Assy - Sandshoe	N/A	1	-
1B	Upper Leg Assy - Removable Cushion Foot	N/A	-	1
2A	Lower Leg Assy - Sandshoe	N/A	1	1
2B	Lower Leg Assy - Removable Cushion Foot	N/A	1	1
3	Self-Tapping Screw	XB-ST5-008-11	2	10
4	Cover	751612	1	1
5	Bevel Gear	130004	1	1
6	Groove Pin - .31" x 1.50"	725046	1	2
7	Washer - Hardened	XB-PW-016-62	1	1
8	Shaft Bushing	724037	2	1
9	Pinion Gear	130003	1	1
10	Jack Shaft LH - Universal Mount	750004	1	-
	- Conventional Mount	750450	1	-
	- Reverse Mount	750452	1	-
11	Spring Pin - .38" x 1.38"	725002	1	1
12	Spring Pin - .25" x 1.25"	725001	1	-
13	Flat Washer	XB-PW-016-13	1	-
14	Grease Fitting	727000	2	3
15	Hex Cap Screw - .38"-16 x 2-14"	XB-HHC-050-42	1	2
16	Self-Locking Nut - .38"-16 - Cross Drive Shaft	XB-SLN-012-04	1	2
	- .38"-16 - Sandshoe	XB-SLN-012-04	1	1
	- .38"-16 - RCF	XB-SLN-012-04	2	2
17	Cross Drive Shaft	LG0094-XXXX	1	-
18	Wire	729002	-	1
19	Spring Pin - .38" x 1.50"	725003	-	1
20	Jack Shaft RH - Universal Mount	180000	-	1
	- Conventional Mount	180010	-	1
	- Reverse Mount	180016	-	1
21	Shift Shaft - Universal & Reverse Mount	751175	-	1
	- Conventional Mount	751198	-	1
22	Output Gear	130002	-	1
23	Input Gear - Low	751173	-	1
24	Input Gear - High	130000	-	1
25	Idler Gear	130001	-	1
26	Outside Cover Assembly	160000	-	1
27	Collar - Elevating Screw	730007	1	1
28	Bearing	729108	1	1
29	Sandshoe - 10" x 10" x 4.50"	50616001	1	1
	- 10" x 10" x 2.00"	50616008	1	1
30	Sandshoe Axle - Hollow Axle - 8.50" Lg	LG0070-02	1	1
31	Hex Cap Screw - .38"-16 x .75" - Sandshoe	XB-HHC-050-69	1	1
	- .38"-16 x .75" - RCF	XB-HHC-050-69	1	1
32	Cushion Foot Pad - RCF	728003	1	1
33	Interchangeable Strap - RCF	730638	1	1
34	RCF - 10" x 10"	730640	1	1
36	Bevel & Pinion Gear Kit	RK-11321	1	1
37	Gear Box Repair Kit	RK-11322	1	1

For technical assistance please go to www.safholland.us or call 800.876.3929

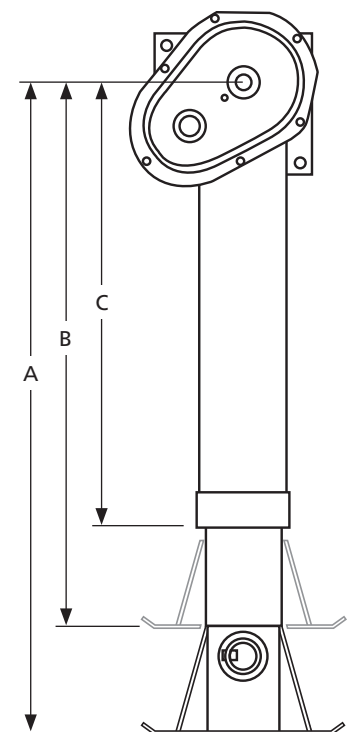
CMS2 & CMS3 - Dimensions



SAF-HOLLAND Group

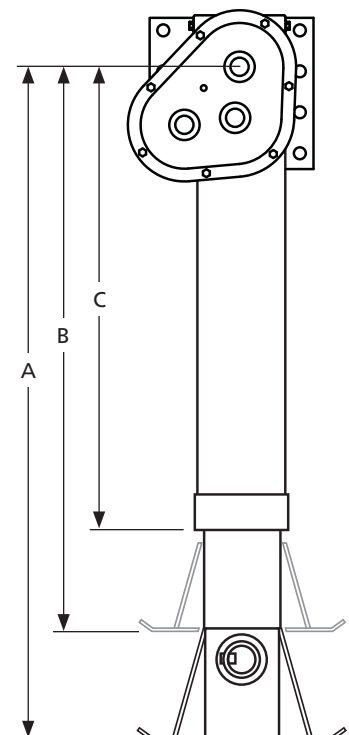
CMS2 DIMENSIONS

	EXTENDED LENGTH (A)	RETRACTED LENGTH (B)	UPPER LEG (C)
REMOVABLE CUSHION FOOT			
14" Travel (14.12")	43.12"	29.00"	25.50"
17" Travel (16.87")	48.62"	31.75"	28.31"
19" Travel (19.12")	53.12"	34.00"	30.56"
4.5" SANDSHOE			
14" Travel (14.12")	42.87"	28.75"	22.75"
17" Travel (16.87")	48.37"	31.50"	25.50"
19" Travel (19.12")	52.87"	33.75"	27.75"
2" SANDSHOE			
14" Travel (14.12")	40.37"	26.25"	22.75"
17" Travel (16.87")	45.87"	29.00"	25.50"
19" Travel (19.12")	50.37"	31.25"	27.75"



CMS3 DIMENSIONS

	EXTENDED LENGTH (A)	RETRACTED LENGTH (B)	UPPER LEG (C)
REMOVABLE CUSHION FOOT			
14" Travel (14.12")	43.12"	29.00"	25.50"
17" Travel (16.87")	48.62"	31.75"	28.31"
19" Travel (19.12")	53.12"	34.00"	30.56"
4.5" SANDSHOE			
14" Travel (14.12")	42.87"	28.75"	22.75"
17" Travel (16.87")	48.37"	31.50"	25.50"
19" Travel (19.12")	52.87"	33.75"	27.75"
2" SANDSHOE			
14" Travel (14.12")	40.37"	26.25"	22.75"
17" Travel (16.87")	45.87"	29.00"	25.50"
19" Travel (19.12")	50.37"	31.25"	27.75"



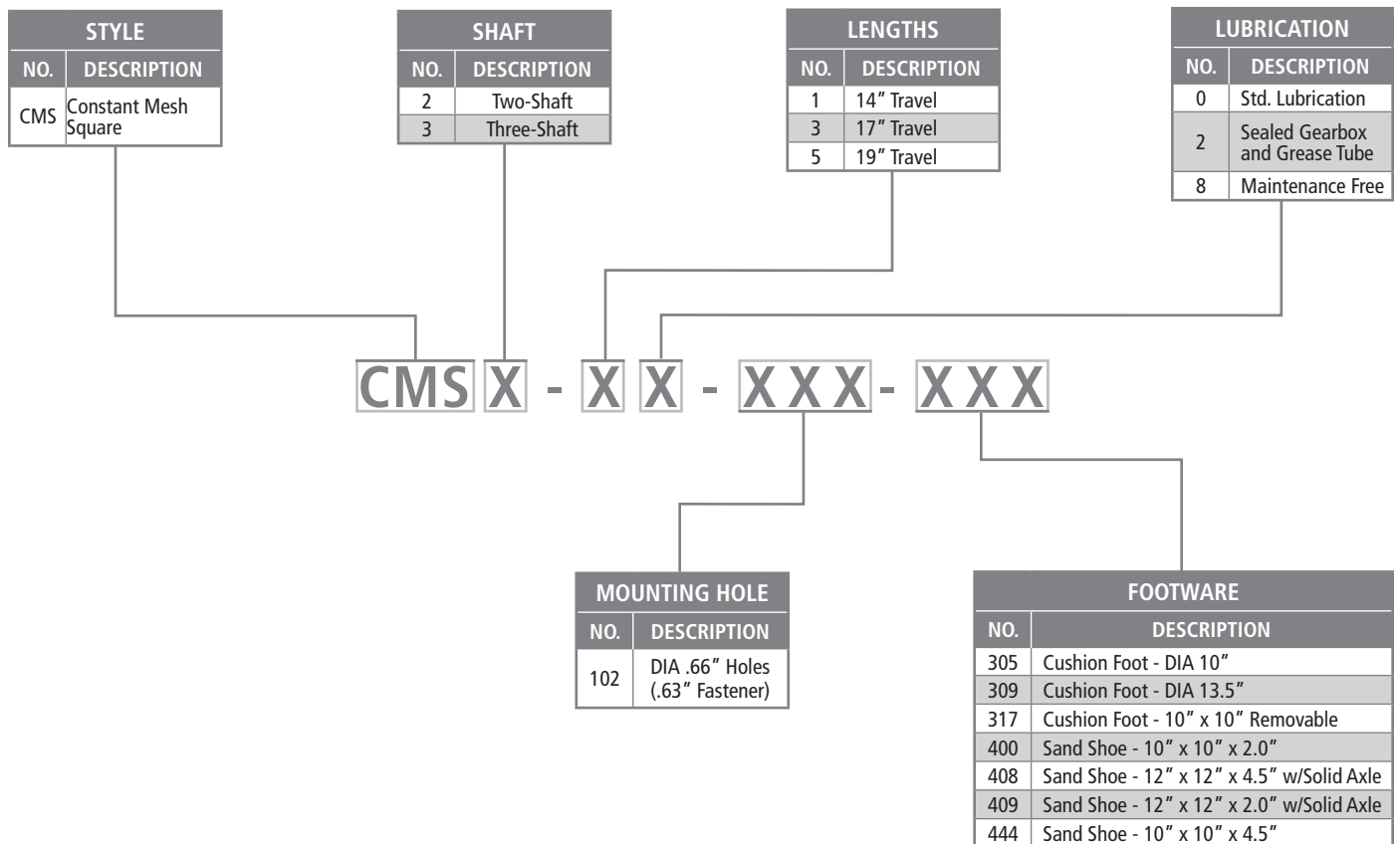
Service Parts Only.

Individual Legs and Sets are no longer available.

For CMS2 Legs see Classic model for replacement Legs and Sets.

For CMS3 Legs see Atlas 55 model for replacement Legs and Sets.

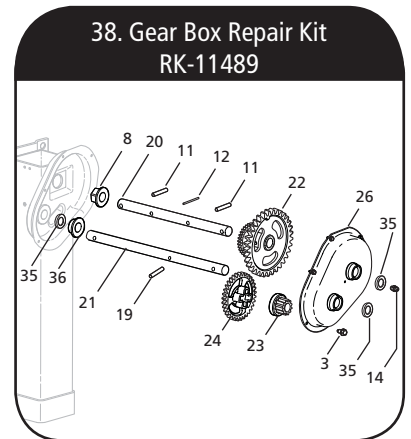
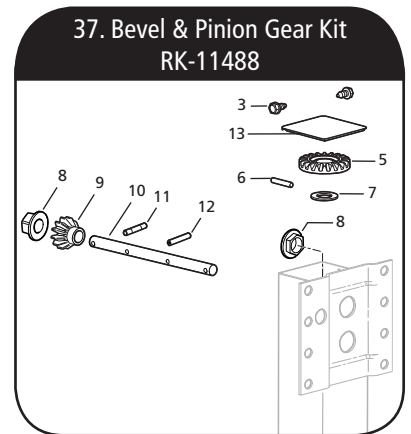
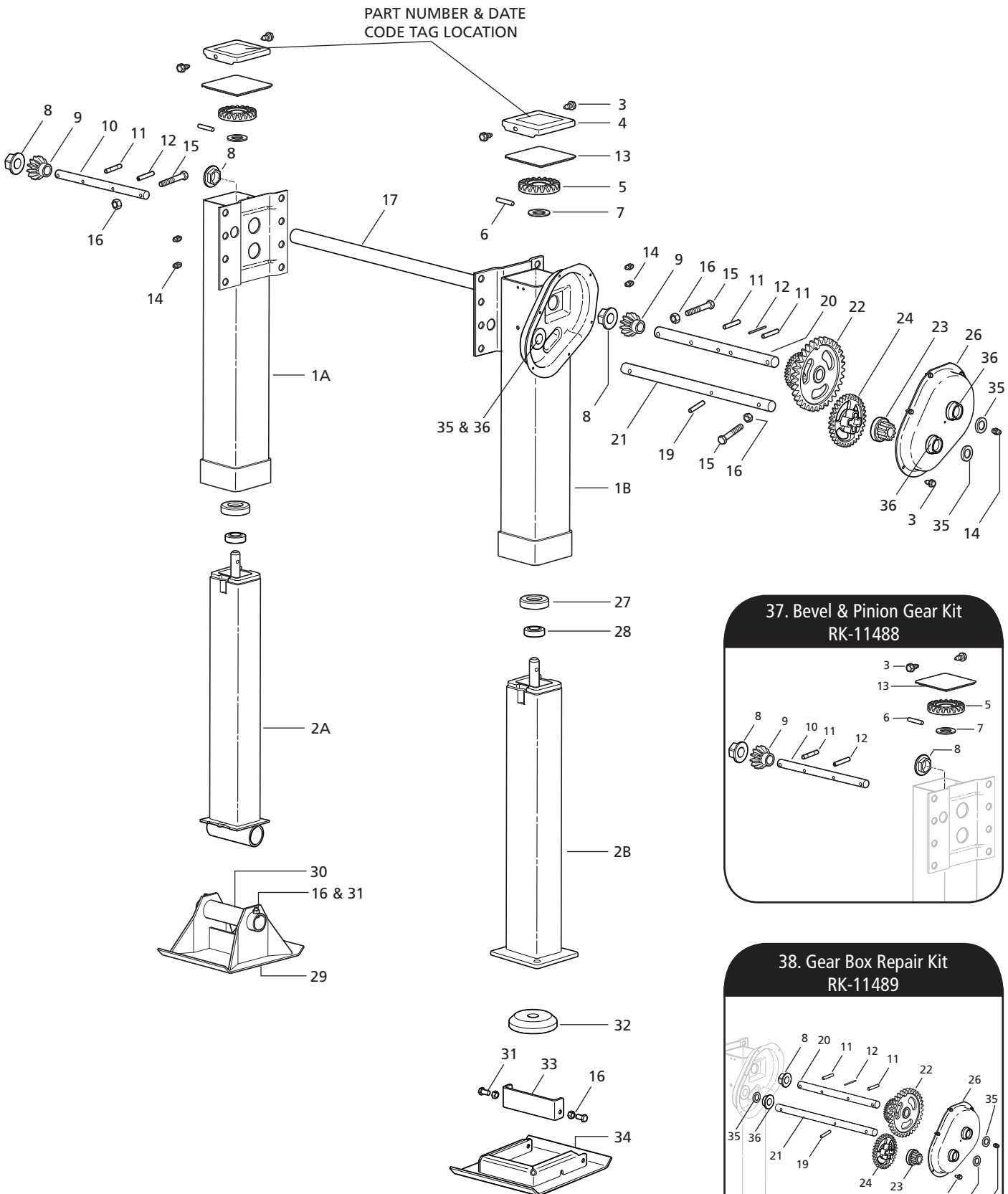
Model Code provided for reference only.



Classic - Exploded View



SAF-HOLLAND Group





NO.	DESCRIPTION	TRAVEL	
		17"	19"
2A	Lower Leg Assy - Sandshoe	LG3012-03	LG3012-04
2B	Lower Leg Assy - Low Profile RCF	LG-742913	LG-742927

NO.	DESCRIPTION	PART NO.	SPEED	
			ONE	TWO
1A	Upper Leg Assy LH	N/A	1	-
1B	Upper Leg Assy RH	N/A	-	1
3	Self-Tapping Screw - .25"-20 x .50"	XB-ST5-008-11	2	8
4	Cover	XA-LG0880	1	1
5	Bevel Gear	LG2884	1	1
6	Pin - .38" x 2"	XA-CRP-V-06635	1	1
7	Flat Washer	XB-PW-016-62	1	1
8	Hex Lock Boss	LG2926	2	1
9	Pinion Gear	LG1823-02	1	1
10	Jack Shaft LH - Universal Mount	LG-750004-01	1	-
	- I-Beam	LG-750004-04	1	-
	- Extended I-Beam	LG-750004-05	1	-
	- Conventional Mount	LG-750004-02	1	-
	- Reverse Mount	LG-750004-03	1	-
11	Groove Pin - DIA .38" x .50" - Type E	XB-GP-014-18	1	2
12	Spring Pin - DIA .25" x 1.50"	XB-SP-014-27	1	1
13	Cover Gasket	XB-LG0893	1	1
14	Grease Fitting	XB-GRF-022-16	2	3
15	Hex Head Screw - .38"-16 x .25" GR 5	XB-HHC-050-42	1	2
16	Self-Locking Nut - .38"-16 Grade B - Cross Drive Shaft	XB-SLN-012-04	1	2
	- .38"-16 Grade B - Sandshoe	XB-SLN-012-04	1	1
	- .38"-16 Grade B - Low Profile RCF	XB-SLN-012-04	2	2
17	Cross Drive Shaft	LG0094-XXX	1	-
19	Groove Pin - .31" x 1.50"	725046	-	1
20	Jack Shaft RH - Universal Mount	LG-750002-01	-	1
	- I-Beam	LG-750002-04	-	1
	- Extended I-Beam	LG-750002-05	-	1
	- Conventional Mount	LG-750002-02	-	1
	- Reverse Mount	LG-750002-03	-	1
21	Shift Shaft - Universal Mount	LG-751175-01	-	1
	- Conventional Mount & I-Beam	LG-751175-02	-	1
	- Reverse Mount	LG-751175-03	-	1
22	Output Gear	750009	-	1
23	Input Gear - Low	751173	-	1
24	Input Gear - High	751174	-	1
26	Gearbox Assy - Outside Half	LG-741158	-	1
27	Thrust Bearing	XB-BRG-013-77	1	1
28	Collar	XB-LG0544	1	1
29	Sandshoe - 10" x 10" x 4.5"	LG0055	1	1
	- 10" x 10" x 2.0"	LG0056	1	1
30	Axle Assy	LG0070-02	1	1
31	Hex Cap Screw - .38"-16 x .75" GR 5 - Sandshoe	XB-HHC-050-69	1	1
	- .38"-16 x 1" GR - Low Profile RCF	201205	2	2
32	Rubber Pad	728003	1	1
33	Strap	730638	1	1
34	Low Profile RCF - 10" x 10"	730640	1	1
35	Oil Seal - 1" Shaft	XB-SEL-030-17	-	3
36	Gear Box Boss	XB-LG0659	-	3
37	Bevel & Pinion Gear Kit - Universal	RK-11488	1	1
38	Gear Box Repair Kit - Universal	RK-11489	-	1
39	Black Armour™ Touchup Kit (not shown)	RK-10919	1	1

For technical assistance please go to www.safholland.us or call 800.876.3929

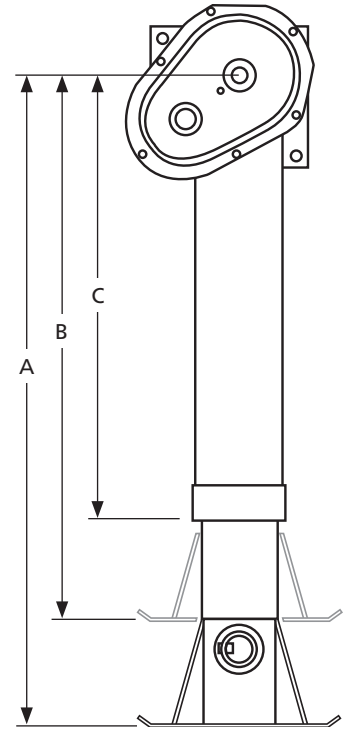
Classic - Dimensions & Mounting Distances



SAF-HOLLAND Group

CLASSIC DIMENSIONS

	EXTENDED LENGTH (A)	RETRACTED LENGTH (B)	UPPER LEG (C)
REMOVABLE CUSHION FOOT LOW PROFILE			
14" Travel (14.12")	43.12"	29.00"	25.50"
17" Travel (16.87")	46.00"	29.10"	28.31"
19" Travel (19.12")	48.85"	29.72"	27.75"
4.5" SANDSHOE			
14" Travel (14.12")	42.87"	28.75"	22.75"
17" Travel (16.87")	48.50"	31.50"	25.50"
19" Travel (19.12")	52.87"	33.75"	27.75"
2" SANDSHOE			
14" Travel (14.12")	40.37"	26.25"	22.75"
17" Travel (16.87")	46.00"	29.00"	25.50"
19" Travel (19.12")	50.37"	31.25"	27.75"





LANDING GEAR	
NO.	MODEL
LG2	Classic

MOUNTING	
NO.	DESCRIPTION
T	Two- Shaft Constant Mesh

SHAFTS	
NO.	DESCRIPTION
0	Universal
1	Reverse
2	I-Beam 6.5"
9	Conventional
A	I-Beam 10"

FOOTWARE	
NO.	DESCRIPTION
1	Sandshoe - 4.50" x 10" x 10"
3	Sandshoe - 2" x 10" x 10"
Z	Low-Profile RCF - 10" x 10"

LG2 T 0 X - 7 X 0 0 X X X X X

TRAVEL	
NO.	DESCRIPTION
7	17"
9	19"

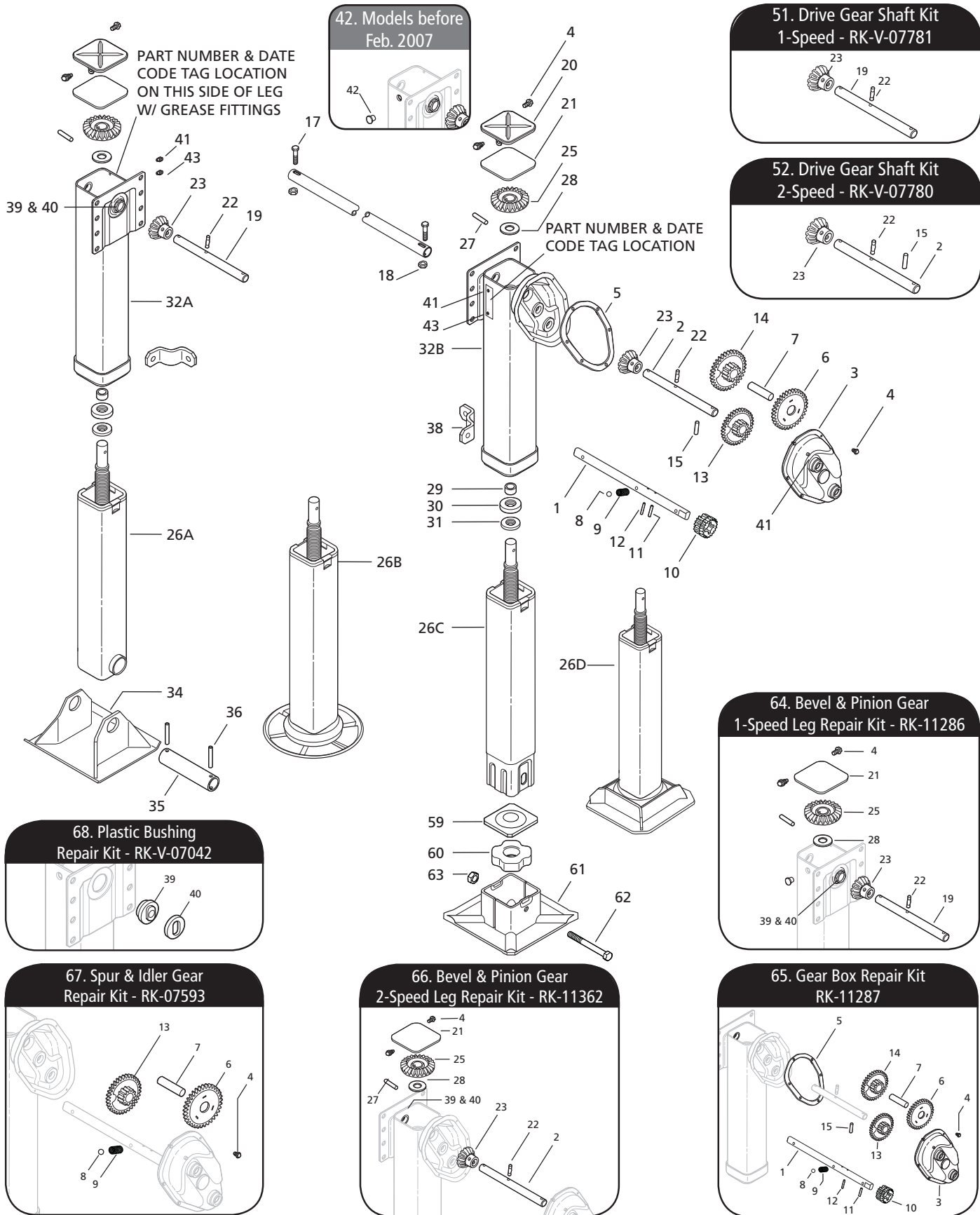
LEG ASSY	
NO.	DESCRIPTION
0	Sets
1	Left Hand
2	Right Hand

RETRACT TUBE	
NO.	DESCRIPTION
0	Standard

GREASE	
NO.	DESCRIPTION
0	Standard Pack

LOG NO.	ACCESSORY NO.
Contact SAF-HOLLAND Customer Service for Special Options & Accessories	

Mark V / Mark V HD - Exploded View





NO.	DESCRIPTION	PART NO.	SPEED	
			ONE	TWO
1	Jack Shaft LH - Universal	XA-V-06623-A	1	-
	- I-Beam	XA-V-06623-D	1	-
	- Extended I-Beam	XA-V-06623-F	1	-
	- Conventional	XA-V-06623-C	1	-
	- Reverse	XA-V-06623-B	1	-
2	Jack Shaft RH - Universal	XA-V-06624-A	-	1
	- I-Beam	XA-V-06624-D	-	1
	- Extended I-Beam	XA-V-06624-F	-	1
	- Conventional & Reverse	XA-V-06624-C	-	1
3	Gearbox Cover Assembly	XA-V-06618	-	1
4	Thread Rolling Screw	XB-06372	2	8
5	Gearbox Gasket	XB-V-06621	-	1
6	Idler Gear	XA-V-06602	-	1
7	Idler Gear Shaft	XA-V-07085	-	1
8	Ball	XB-BAL-023-01	-	1
9	Spring	XB-SPG-020-02	-	1
10	Input Gear - Low	XA-V-06604-1	-	1
11	Pin - .25" x 1.44"	XA-CRP-V-06633	-	1
12	Spring Pin - .22" x 1.50"	XB-21-S-218-1500	-	1
13	Input Gear - High	XA-V-06603	-	1
14	Output Gear	XA-V-06606	-	1
15	Pin - .38" x 1.5"	XA-CRP-V-06634	-	1
17	HHCS - .38"-16 x 2.00"	XB-V-444-4	1	1
18	Lock Nut - .38"-16	XB-338	1	1
19	Shift Shaft RH - Universal	XA-V-06625-A	-	1
	- I-Beam	XA-V-06625-C	-	1
	- Extended I-Beam	XA-V-06625-F	-	1
	- Conventional	XA-V-06625-C	-	1
	- Reverse	XA-V-06625-B	-	1
20	Upper Leg Cover	XA-V-06611	1	1
21	Gasket	XB-V-07054	1	1
22	Groove Pin .38" x 1.50"	XB-GP-38-1-12-E	1	1
23	Pinion Gear	XA-V-06600	1	1
25	Bevel Gear	XA-V-06601	1	1
26A	Inner Leg & Screw Assy. - Axle	SEE PAGE 38	1	1
	- AXLGHD	SEE PAGE 38	1	1
26B	Inner Leg & Screw Assy. - Self-Leveling	SEE PAGE 38	1	1
	- Self-Leveling HD	SEE PAGE 38	1	1
26C	Inner Leg & Screw Assy. - RCF	SEE PAGE 38	1	1
	- RCF HD	SEE PAGE 38	1	1
26D	Inner Leg & Screw Assy. - Shock Foot	SEE PAGE 38	1	1
	- Shock Foot HD	SEE PAGE 38	1	1
27	Pin - .38" x 2"	XA-CRP-V-06635	1	1
28	Washer	XB-V-06632	1	1
29	Bushing	XB-V-06630	1	1
30	Thrust Bearing	XB-V-647	1	1
30	Thrust Bearing - Heavy Duty	XB-V-647-1	1	1
31	Collar	XA-V-06629	1	1
32A	Upper Leg - 1-Speed	NA	1	-
	- 1-Speed Heavy Duty (Not Shown)	NA	1	-
32B	Upper Leg - 2-Speed	NA	-	1
	- 2-Speed Heavy Duty (Not Shown)	NA	-	1
34	Skid Foot - 4.5" x 12" x 11.5"	LG0050	1	1
	- 2.0" x 12" x 11.5"	LG0051	1	1
	- 3.8" x 10" x 11.5"	XA-V-796-WS	1	1
	- 2.0" x 10" x 11.5"	LG0056	1	1
	- 4" x 12" x 16"	XA-HV-796	1	1

NO.	DESCRIPTION	PART NO.	SPEED	
			ONE	TWO
35	Standard Axle	XA-V-1901-1	1	1
	Solid Axle	XA-V-1903-1	1	1
36	Rollpin - .38" x 3"	XB-21-S-375-3000	2	2
38	Brace Lug	XA-V-1938	1	1
39	Bearing	XB-LG0559	2	1
40	Retainer	XB-LG1570	2	1
41	Lube Fitting	XB-767	1	2
42	Plastic Plug - Models before Feb. 2007	XB-01789	1	1
43	Lube Fitting w/Extension	XB-767-L	1	1
47	Crankshaft Bracket (Optional)	XA-V-971	-	1
48	Crank Hanger (Optional)	XB-V-1915	-	1
	Crank Hanger (Optional)	XB-LG0085	-	1
49	Extension Shaft - Long (Optional) - 15.44"	XA-V-1916	-	1
	- Short (Optional) - 8.94"	XA-V-1916-1	-	1
50	Crankshaft Coupling (Optional)	XA-V-630-2	-	1
51	Drive Gear Shaft Kit - 1-Speed	RK-V-07781	-	1
52	Drive Gear Shaft Kit - 2-Speed	RK-V-07780	-	1
53	Groove Pin - .38" x 1.38" (Optional)	XB-GP-38-138-5	-	2
54	Locknut - .25"-28 (Optional)	XB-3103	-	3
55	HHCS - .25"-28 x 3" (Optional)	XB-07618	-	3
56	Extension Bracket - Long - 15.56"	XA-V-07601-1	-	1
	- Short - 9.06"	XA-V-07601-2	-	1
57	Extension Bracket & Shaft Kit - Long - 15.56"	RK-V-07602-1	-	1
	- Short - 9.06"	RK-V-07602-2	-	1
58	Extension Bracket & Shaft Kit - Long - 15.44"	RK-V-1997-1	-	1
	- short - 8.94"	RK-V-1997-2	-	1
59	Cushion Foot Plate	LG1829	1	1
60	Rubber Cushion	XB-LG0713	1	1
61	Removable Cushion Foot	XA-V-796-RCF	1	1
62	Hex Head Screw - .63"-11 x 6" - GR2	XB-HHC-050-114	1	1
63	Top Lock Nut - .63"-11 - GR.C	XB-06179-2	1	1
64	Bevel & Pinion Gear Repair Kit	RK-11286	1	1
65	Gear Box Repair Kit	RK-11287	-	1
66	Black Armour™ Touchup Kit (not shown)	RK-10919	1	1

For technical assistance please go to www.safholland.us or call 800.876.3929



Standard Duty Retract Tube Assemblies

NO.	DESCRIPTION	TRAVEL			
		9.9"	10.3"	12.5"	13.5"
26A	Retract Tube Assy - Axle	XA-V-06628-000-0	N/A	N/A	XA-V-06628-101-0
26B	Retract Tube Assy- Self Leveling	N/A	N/A	XA-V-06628-010-1	XA-V-06628-111-1
26C	Retract Tube Assy - RCF	N/A	XA-V-06628-020-2	N/A	XA-V-06628-121-2
26D	Retract Tube Assy - Shockfoot	N/A	N/A	XA-V-06628-010-5	XA-V-06628-111-5

Standard Duty Retract Tube Assemblies cont.

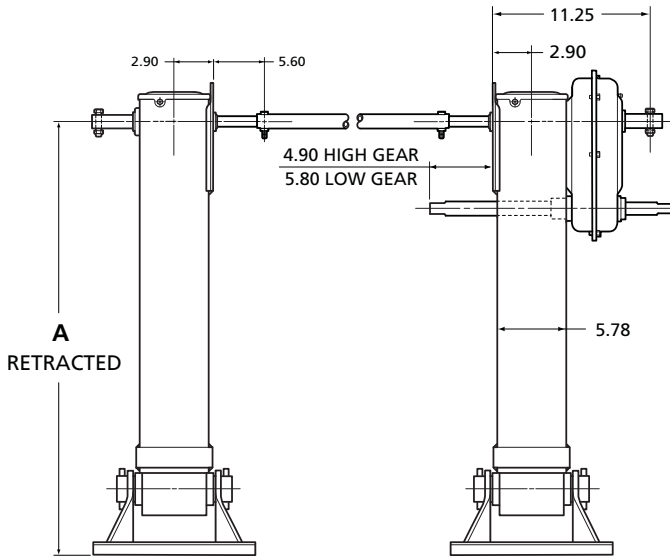
NO.	DESCRIPTION	TRAVEL			
		15.0"	16.5"	17.6"	18.7"
26A	Retract Tube Assy - Axle	XA-V-06628-202-0	XA-V-06628-303-0	XA-V-06628-404-0	XA-V-06628-505-0
26B	Retract Tube Assy- Self Leveling	XA-V-06628-212-1	XA-V-06628-313-1	XA-V-06628-414-1	XA-V-06628-515-1
26C	Retract Tube Assy - RCF	XA-V-06628-222-2	XA-V-06628-323-2	XA-V-06628-413-2	XA-V-06628-514-2
26D	Retract Tube Assy - Shockfoot	XA-V-06628-212-5	XA-V-06628-313-5	XA-V-06628-414-5	XA-V-06628-515-5

Heavy Duty Retract Tube Assemblies

NO.	DESCRIPTION	TRAVEL			
		9.9"	10.3"	12.5"	13.5"
26A	Retract Tube Assy - Axle	XA-H-06628-000-0	N/A	N/A	XA-H-06628-101-0
26B	Retract Tube Assy- Self Leveling	N/A	N/A	XA-H-06628-010-1	XA-H-06628-111-1
26C	Retract Tube Assy - RCF	N/A	XA-H-06628-020-2	N/A	XA-H-06628-121-2
26D	Retract Tube Assy - Shockfoot	N/A	N/A	XA-H-06628-010-5	XA-H-06628-111-5

Heavy Duty Retract Tube Assemblies cont.

NO.	DESCRIPTION	TRAVEL			
		15.0"	16.5"	17.6"	18.7"
26A	Retract Tube Assy - Axle	XA-H-06628-202-0	XA-H-06628-303-0	XA-H-06628-404-0	XA-H-06628-505-0
26B	Retract Tube Assy- Self Leveling	XA-H-06628-212-1	XA-H-06628-313-1	XA-H-06628-414-1	XA-H-06628-515-1
26C	Retract Tube Assy - RCF	XA-H-06628-222-2	XA-H-06628-323-2	XA-H-06628-413-2	XA-H-06628-514-2
26D	Retract Tube Assy - Shockfoot	XA-H-06628-212-5	XA-H-06628-313-5	XA-H-06628-414-5	XA-H-06628-515-5



Self Leveling

TRAVEL	"A"	"B"
12.5"	37.0"	23.9
13.5"	41.3"	24.8
15.0"	44.3"	26.3
16.5"	47.3"	27.8
17.6"	49.5"	28.9
18.7"	51.8"	30.0

Std. Skid

TRAVEL	"A"	"B"
9.9"	37.9"	23.9
13.5"	42.2"	24.8
15.0"	45.2"	26.3
16.5"	48.2"	27.8
17.6"	50.5"	28.9
18.7"	52.7"	30.0

Low Profile

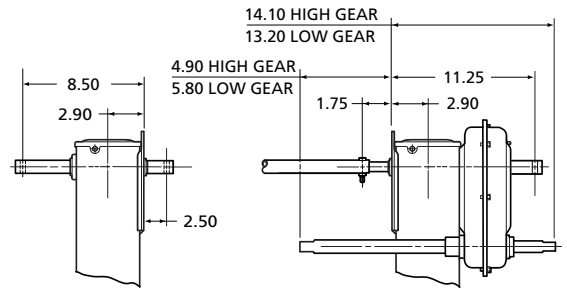
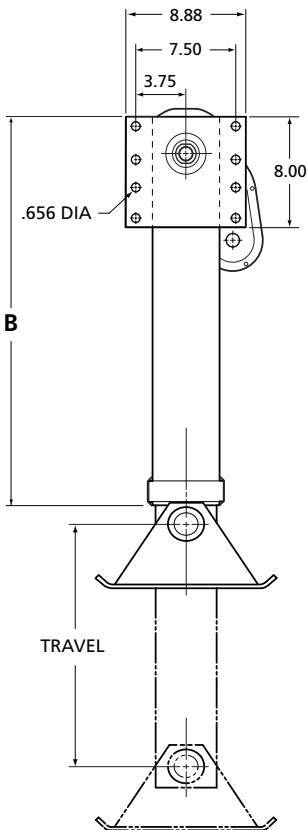
TRAVEL	"A"	"B"
9.9"	35.4"	23.9
13.5"	39.7"	24.8
15.0"	42.8"	26.3
16.5"	45.7"	27.8
17.6"	48.0"	28.9
18.7"	50.5"	30.0

Wt. Saver Skid

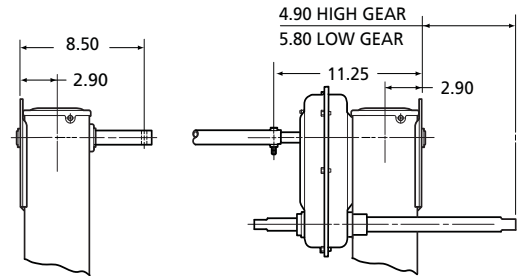
TRAVEL	"A"	"B"
9.9"	36.7"	23.9
13.5"	41.5"	24.8
15.0"	44.5"	26.3
16.5"	47.5"	27.8
17.6"	49.7"	28.9
18.7"	52.0"	30.0

RCF

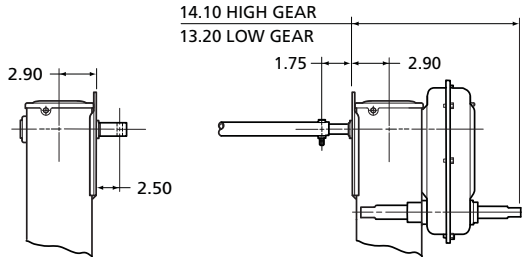
TRAVEL	"A"	"B"
10.3"	36.8"	23.9
13.5"	41.1"	24.8
15.0"	44.1"	26.3
16.5"	47.1"	27.8
17.6"	49.3"	28.9
18.7"	51.5"	30.0



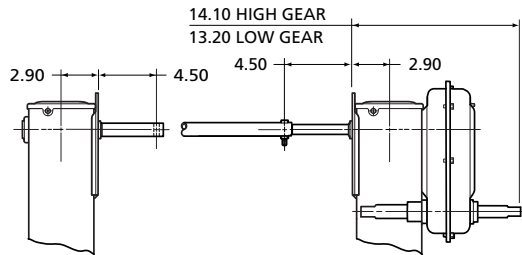
'B' Inboard Mounting



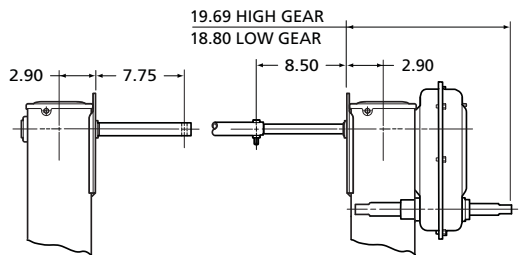
'C' Outboard Mounting



'D' I-Beam Mounting



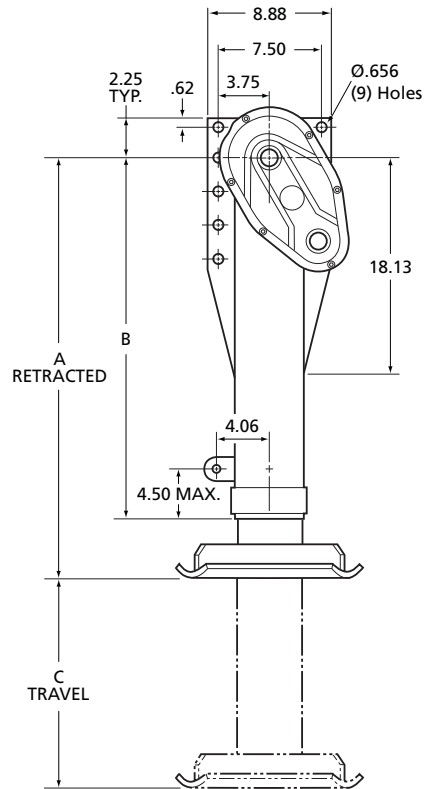
'E' Extended I-Beam Mounting



'F' Extended I-Beam Mounting

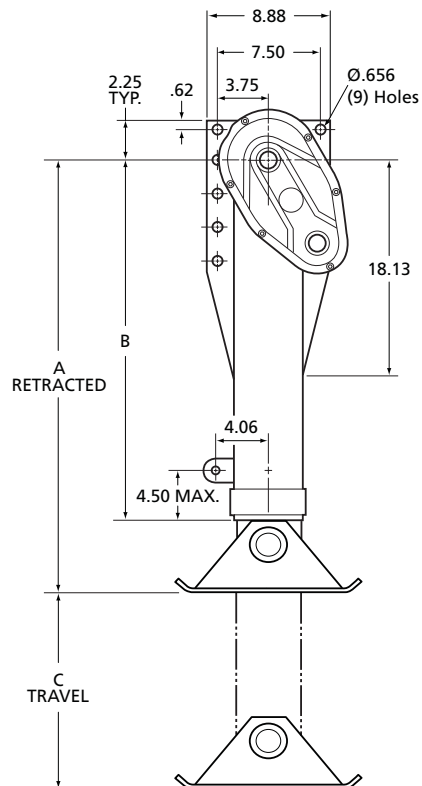
Mark V - Dimensions & Mounting Distances

MODEL	"A"	"B"	"C"
LGH-1A012	27.9"	24.5"	13.5"
LGH-2A012	29.4"	26.0"	15.0"
LGH-3A012	30.9"	27.1"	16.5"
LGH-4A012	32.0"	28.2"	17.6"
LGH-5A012	33.2"	29.6"	18.7"



HD 12" x 17" Skid Foot

MODEL	"A"	"B"	"C"
LGH-1A312	29.7"	24.5"	12.0"
LGH-2A312	31.2"	26.0"	13.5"
LGH-3A312	32.3"	27.1"	15.4"
LGH-4A312	33.4"	28.2"	16.6"
LGH-5A312	34.8"	29.6"	17.4"





CRANK S/A			
NO.	DESCRIPTION	NO.	DESCRIPTION
0	XA-V-90-0	8	XA-V-90-8
1	XA-V-90-1	9	XA-V-90-10
2	XA-V-90-2	A	XA-V-90-11
3	XA-V-90-3	B	XA-V-90-12
4	XA-V-90-4	C	XA-V-90-146
5	XA-V-90-5	H	XA-S0208
6	XA-V-90-6	Q	XA-V-90-13
7	XA-V-90-7	X	Delete

ACCESSORIES	
NO.	DESCRIPTION
0	Crank Holder & Brace Ears
1	Brace Ears Only
2	Crank Holder Only
X	Neither

GREASE / FITTINGS		
NO.	GREASE	FITTINGS
0	Standard	Standard
1	Low Temp	Standard
2	Standard	65°
3	Low Temp	65°
4	Standard	90°
5	Low Temp	90°
6	5 Yr. Warranty - No Maint.	
7	10 Yr. Warranty - No Maint.	

CROSS SHAFT LENGTH	
NO.	DESCRIPTION
0	Std. Length
# # 0	## + .00"
# # 5	## + .50"
X	None

CAPACITY	
NO.	DESCRIPTION
S	Standard
H	Heavy Duty

SET

LG X

X X X XXX

INDIV. LEG

XA - X X

X X X XX

X

CAPACITY	
NO.	DESCRIPTION
S	Standard
H	Heavy Duty

LEG SPEED	
NO.	DESCRIPTION
8	Two-Speed
9	Single-Speed

GREASE / FITTINGS		
NO.	GREASE	FITTINGS
0	Standard	Standard
1	Low Temp	Standard
2	Standard	65°
3	Low Temp	65°
4	Standard	90°
5	Low Temp	90°
6	5 Yr. Warranty - No Maint.	
7	10 Yr. Warranty - No Maint.	

TRAVEL	
NO.	DISTANCE
0	12.5" *
1	13.5"
2	15.0"
3	16.5"
4	17.6"
5	18.7"
Z	Special

MOUNTING	
NO.	DESCRIPTION
A	Universal
B	Inside
C	Outside
D	I-Beam
F	Extended I-Beam
Z	Special

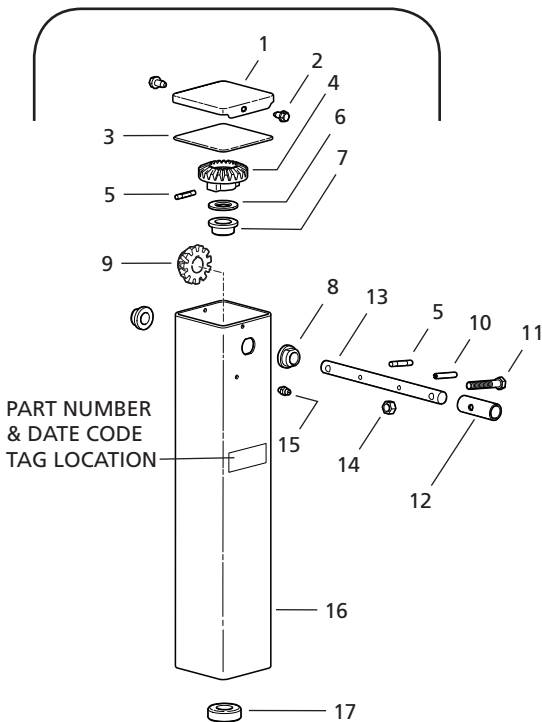
AXLE TYPE	
NO.	TYPE
0	No Axle
1	Standard
3	Solid Axle
Z	Special

FOOT TYPE					
NO.	FOOT TYPE	DESCRIPTION	NO.	FOOT TYPE	DESCRIPTION
01	Self-Leveling	DIA 12"	10	No Footware	---
02	Shock-Foot	DIA 10"	12	HD Self-Leveling	14" x 14"
03	Wheels	DIA 9"	13	Low Profile SF	2.0" x 12" x 11.5"
05	STD Skid Foot	4.5" x 12" x 11.5"	14	Cushion Foot	2.4" x 10" x 11.5"
06	Skid Foot	5.0" x 12" x 17"	15	Wt. Saver SF	3.8" x 10" x 11.5"
07	Skid Foot	5.0" x 12" x 23"	23	Low Pro. Wt. Svr.	2.0" x 10" x 11.5"
08	Big Skid Foot	5.0" x 14" x 19"	24	R.C.F.	2.9" x 11.4" x 11.4"
09	Wheels & SF	3.8" x 16" x 11.5"	ZZ	Special	

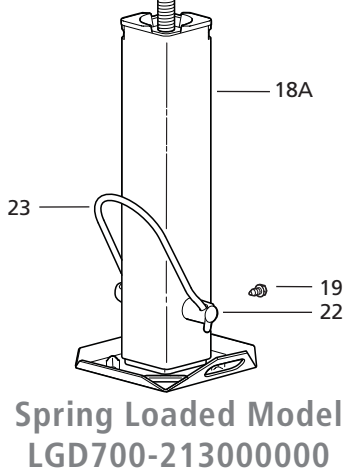
* 9.9" on skidfoot models
10.3" on RCF models

Dual-Pin Drop Leg - Exploded View & Parts List

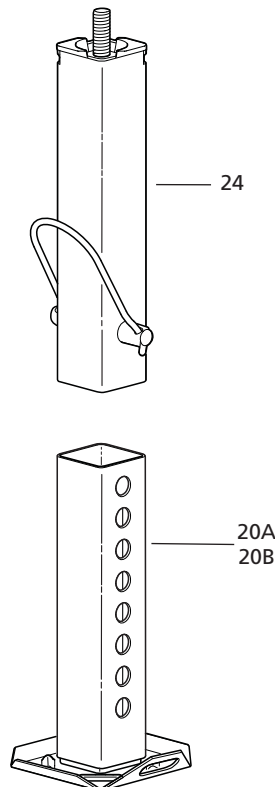
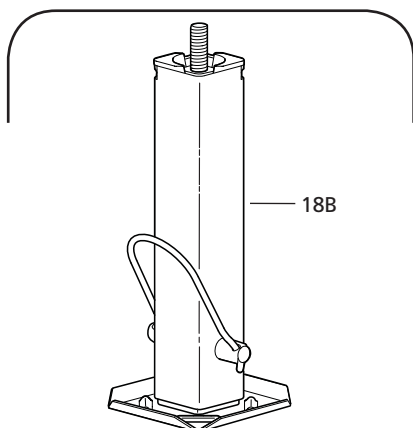
Non-Spring Loaded Model LGD700-21200000



NO.	DESCRIPTION	PART NO.	QTY.
1	Top Cover	XA-LG0880	1
2	Self-Tapping Screw - .25"-20 x .50"	XB-ST5-008-11	2
3	Cover Gasket	XB-LG0893	1
4	Bevel Gear	XB-LG2027	1
5	Groove Pin - .25" x 1.50" Type E	XB-GP-014-07	2
6	Washer - 1.02" ID x 1.75" OD x .13" Thk	XB-PW-016-51	1
7	Flange Bearing	XB-LG1460	1
8	Slip-Fit Bushing	LG2329	2
9	Pinion Gear	XB-LG2026	1
10	Spring Pin - .25" x 1.50"	XB-SP-014-27	1
11	Hex Head Screw - .38"-16 x 2.25" Grade 5	XB-HHC-050-42	1
12	Crank Adapter	XB-CP4651-16	1
13	Jack Shaft	LG2328	1
14	Self-Locking Nut - .38"-16 Grade B	XB-SLN-012-04	1
15	Grease Fitting - .25"-28	XB-GRF-022-16	1
16	Upper Housing	LG2392-03	1
17	Thrust Bearing	XB-BRG-013-70	1
18A	Tube Assy - Retracting & Screw	LG2032-01	1
18B	Tube Assy - Spring Loaded Retracting & Screw	LG2032	1
19	Self-Tapping Screw - .38"-16 x .44"	XB-ST5-008-17	1
20A	Tube - Drop - Dual Pin	LG2003-01	1
20B	Tube - Drop - Dual Pin w/Spring	LG2003	1
21	Decal - Dual Pin	XB-DCL-031-60	1
22	Locking Pin	LG2024	2
23	Spring Handle	XB-LG2006	1
24	Tube Assy - Retracting & Screw - No Shoe	LG2033	1
25	Black Armour™ Touchup Paint (not shown)	RK-10919	1



Spring Loaded Model LGD700-21300000



21. Decal XB-DCL-031-60 (Supplied with Spring Loaded models only.)

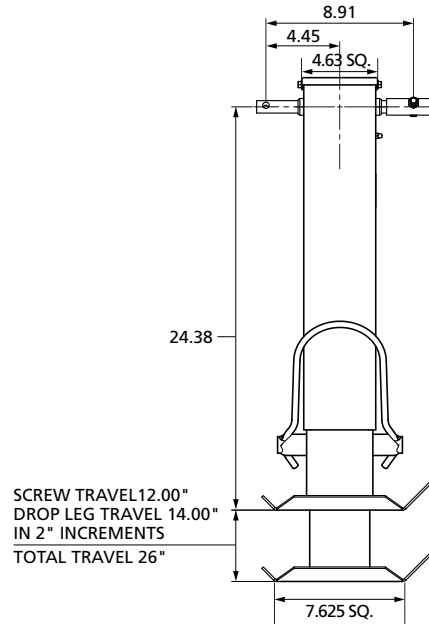




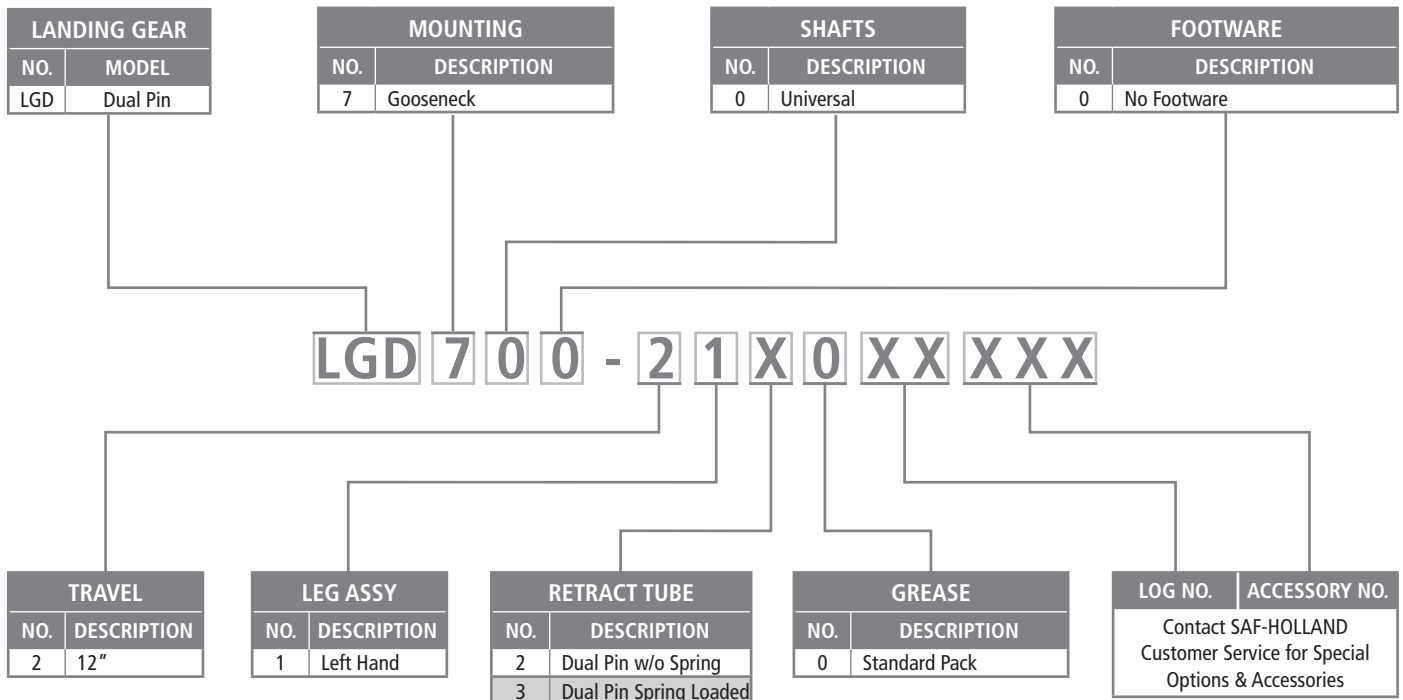
SAF-HOLLAND Group

Dual-Pin Drop Leg - Dimensions, Capacities & Ordering Code

DIMENSIONS & CAPACITIES



Lift Capacity: 12,500 lbs.
Rated Static Load Capacity: 20,000 lbs.
Weight: Approx. 40 lbs.

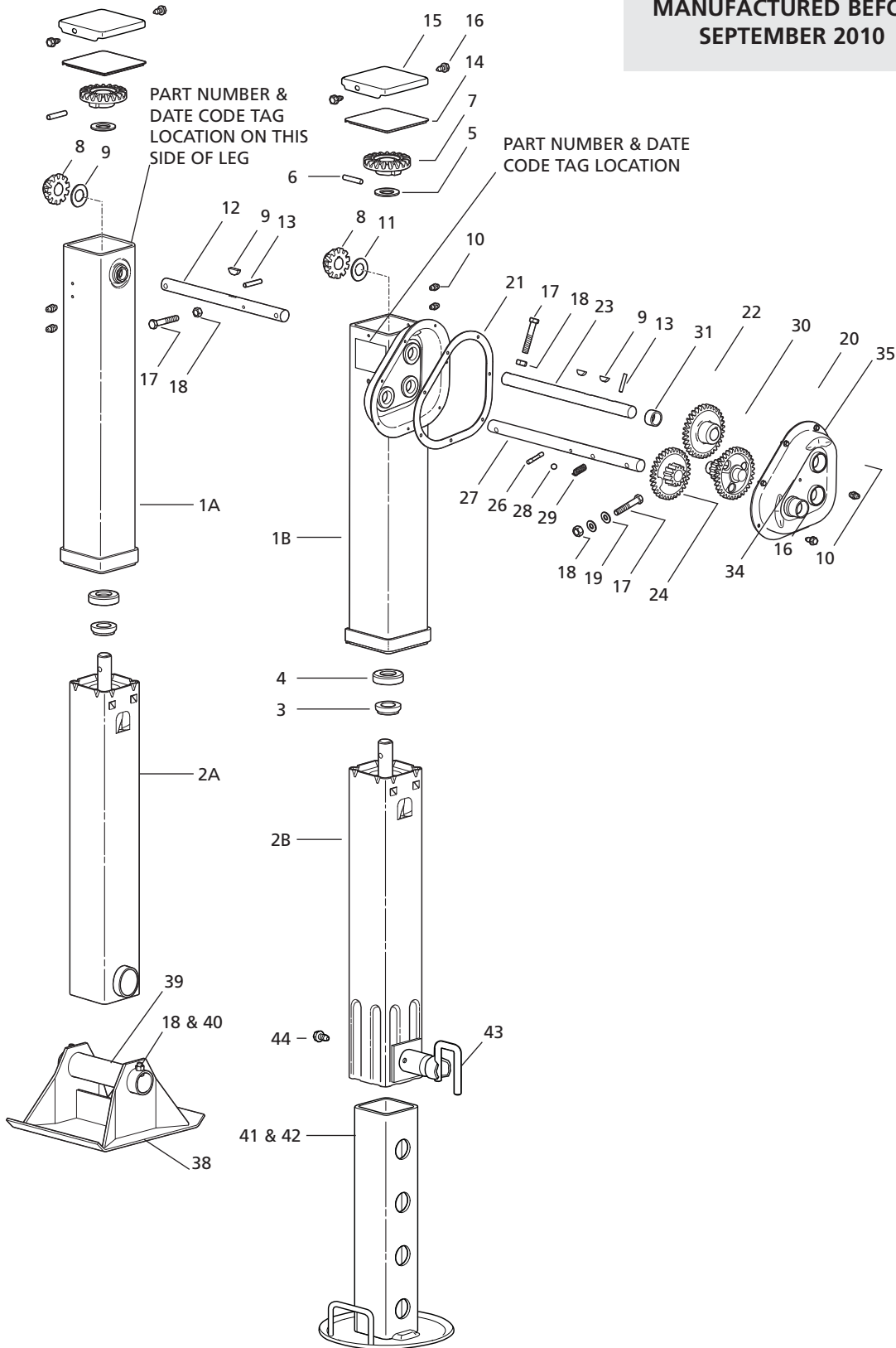


4700 & 4701 Series - Exploded View



SAF-HOLLAND Group

**MANUFACTURED BEFORE
SEPTEMBER 2010**





SAF-HOLLAND Group

4700 & 4701 Series - Parts List before Sept. 2010

NO.	DESCRIPTION	PART NO.	SPEED	
			ONE	TWO
1A	Upper Housing LH	N/A	1	-
1B	Upper Housing RH	N/A	-	1
2A	Retract Tube - Axle	N/A	1	1
2B	Retract Tube - Dropleg	N/A	1	1
3	Collar	XB-LG0544	1	1
4	Thrust Bearing	XB-BRG-013-77	1	1
5	Washer - FL 2"OD x 1.19" ID x .13" THK	XB-PW-016-62	1	1
6	Pin - DIA .38"x 2"	XA-CRP-V-06635	1	1
7	Bevel Gear	XA-LG0570-01	1	1
8	Pinion Gear	XB-LG1823-01	1	1
9	Key - Woodruff .25" x .88"	XB-KEY-018-02	1	2
10	Ftg - Grease .25"-28 Self Tapping	XB-GRF-022-16	2	3
11	Washer - Fl 1.8"OD x 1.01"ID x .06" THK	XB-PW-016-19	1	1
12	Jack Shaft LH - Universal Mount	LG0927	1	-
	- Dropleg	LG0189-01	1	-
13	Pin - Spring DIA .25" x 1.5"	XB-SP-014-27	1	1
14	Gasket	XB-LG0893	1	1
15	Cover	XA-LG0880	1	1
16	Self-Tapping Screw .25"-20 x .5" Lg	XB-ST5-008-11	2	9
17	Screw, Hex Cap .38"-16 x 2.25" Lg GR5	XB-HHC-050-42	1	2
18	Self-Locking Nut .38"-16	XB-SLN-012-04	2	3
19	Washer .38" Std Type A	XB-PW-016-03	-	2
20	Gearbox Half, - Outside w/Hole for Grease Fitting	LG0663	-	1
	- Outside w/Grease Fitting Included	XB-LG0663	-	1
21	Gearbox Gasket	XB-LG0428	-	1
22	Output Gear	LG0543-01	-	1
23	Jackshaft RH - Universal	LG0928	-	1
24	Input Gear	LG0541-01	-	1
26	Groove Pin, Type E DIA .25"x 1.50" Lg	XB-GP-014-07	-	1
27	Shift Shaft - Universal Mount	LG0261-01	-	1
28	Shift Lock Ball	XB-BAL-023-07	-	1
29	Shift Lock Spring	XB-SPG-020-36	-	1
30	Idler Gear	XB-LG0542-01	-	1
31	Spacer Bushing	XB-LG0219-01	-	1
32	Retainer, Hex Lock	LG2094	2	1
33	Hex Lock Boss	LG2095	2	1
34	Shift Lock Boss	XB-LG0658-01	-	1
35	Gearbox Boss	XB-LG0659-01	-	4
36	Gearbox Boss, Inside Half	XB-LG0660	-	1

NO.	DESCRIPTION	PART NO.	SPEED	
			ONE	TWO
38	Sandshoe - 10" x 10" x 4.50"	50616001	1	1
39	Sandshoe Axle - Hollow Axle 8.50" Lg	LG0070-02	1	1
40	Screw, Hex Cap .38"-16 x .75" Lg GR5	XB-HHC-050-69	1	1
41	Tube - Inner Telescoping Dropleg LH	LG0827-01	1	-
42	Tube - Inner Telescoping Dropleg RH	LG0827	-	1
43	Pull Pin	LG2314	1	1
44	Self-Tapping Screw - .38" - 16 x .44"	XB-ST5-008-17	1	-
45	Black Armour™ Touchup Kit (not shown)	RK-10919	1	1

**MANUFACTURED BEFORE
SEPTEMBER 2010**

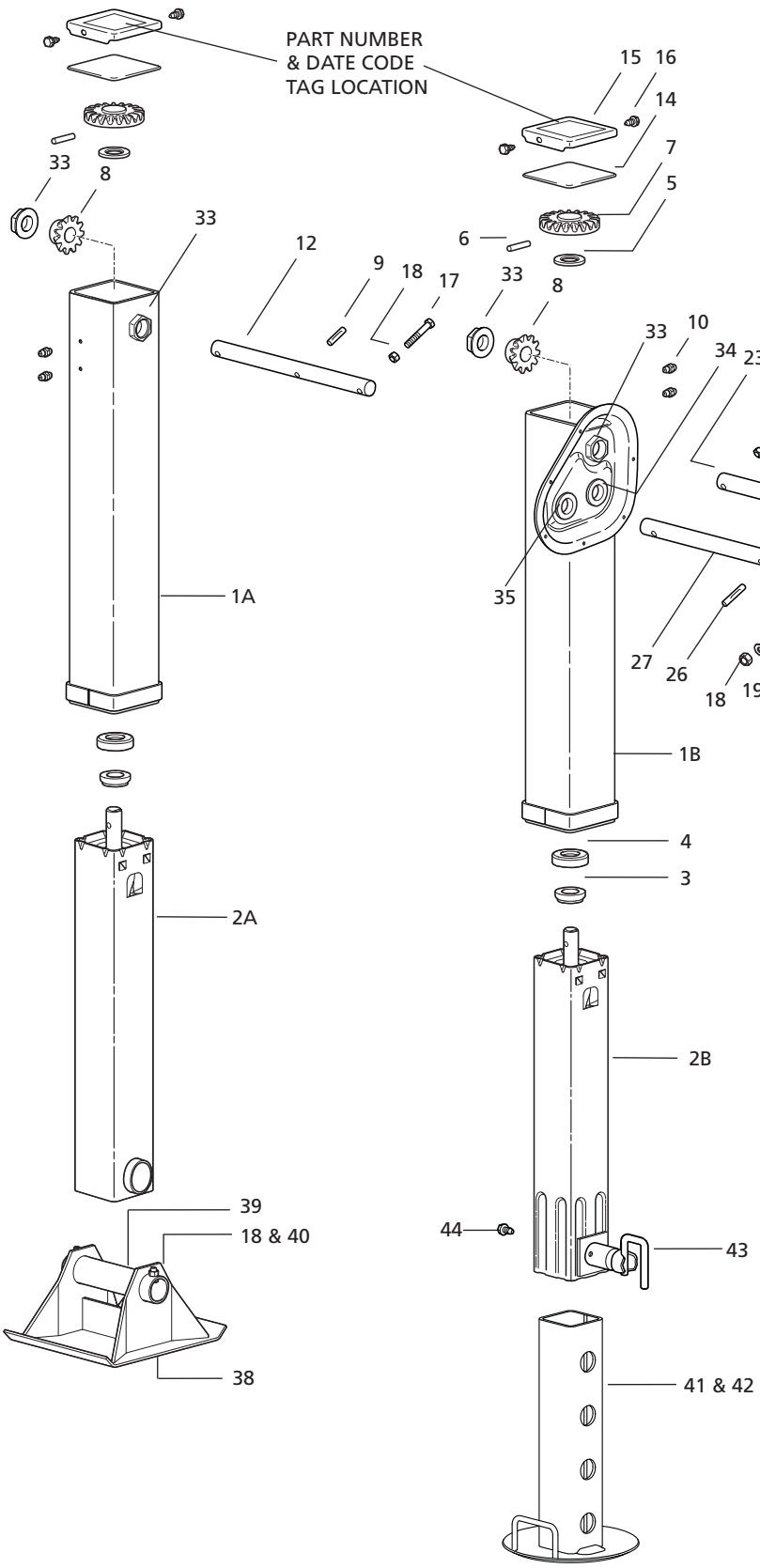
**For technical assistance please go to
www.safholland.us or call 800.876.3929**

4700 & 4701 Series - Exploded View

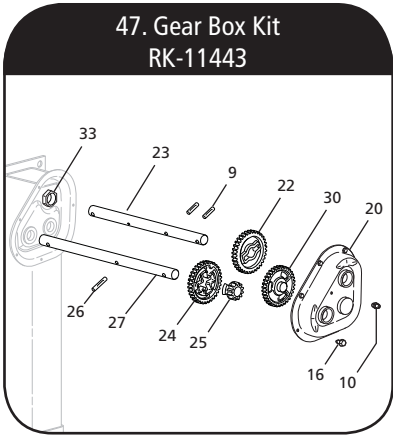
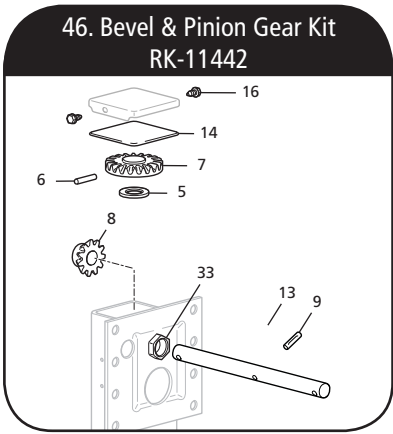
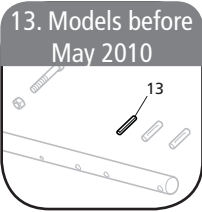


SAF-HOLLAND Group

**MANUFACTURED AFTER
SEPTEMBER 2010**



PART NUMBER
& DATE CODE
TAG LOCATION





**MANUFACTURED AFTER
SEPTEMBER 2010**

NO.	DESCRIPTION	TRAVEL		
		13.50"	17"	19"
2A	Retract Tube - Axle	LG3012-01	LG3012-03	LG3012-04
2B	Retract Tube - Dropleg	LG3015-01	N/A	N/A

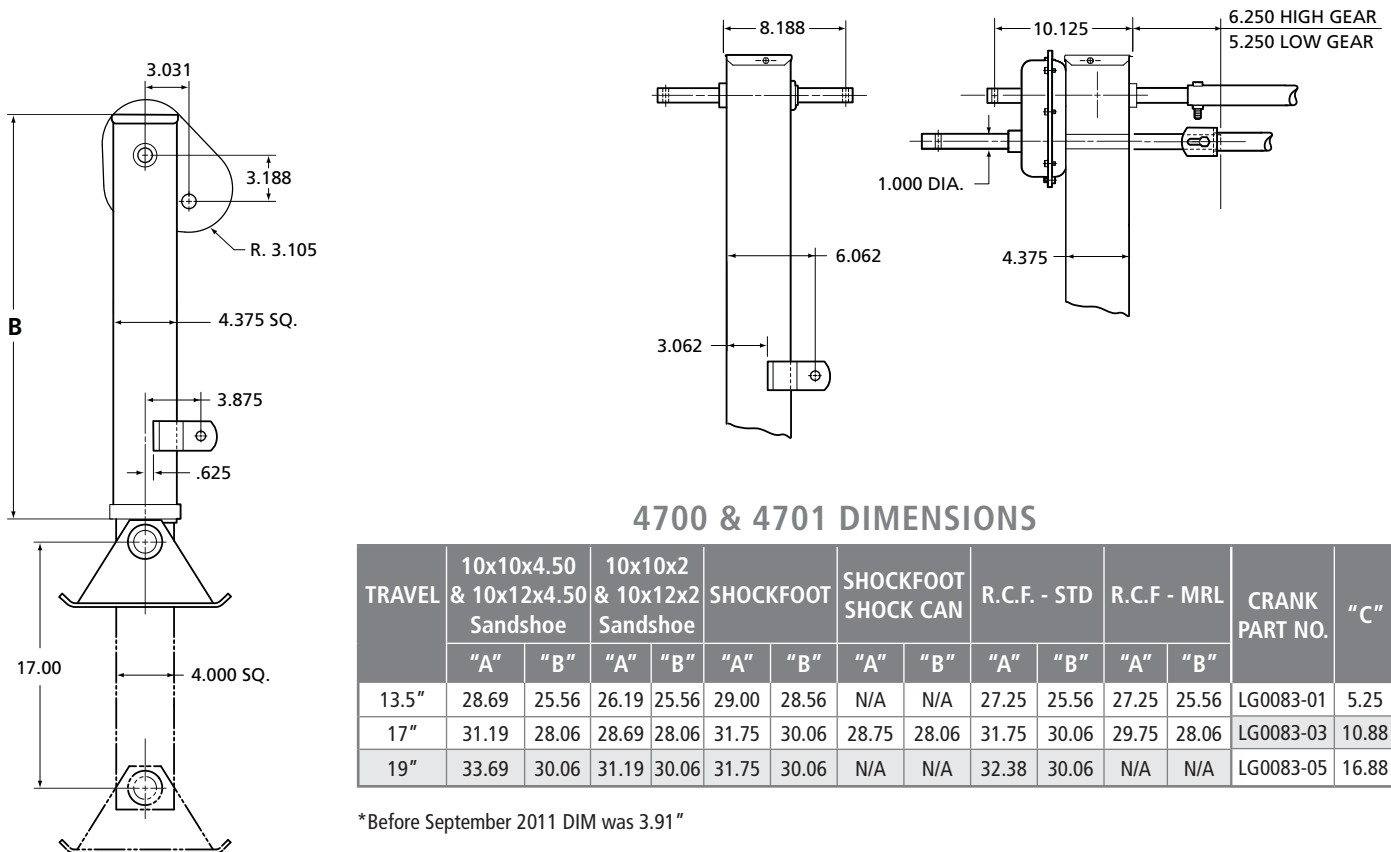
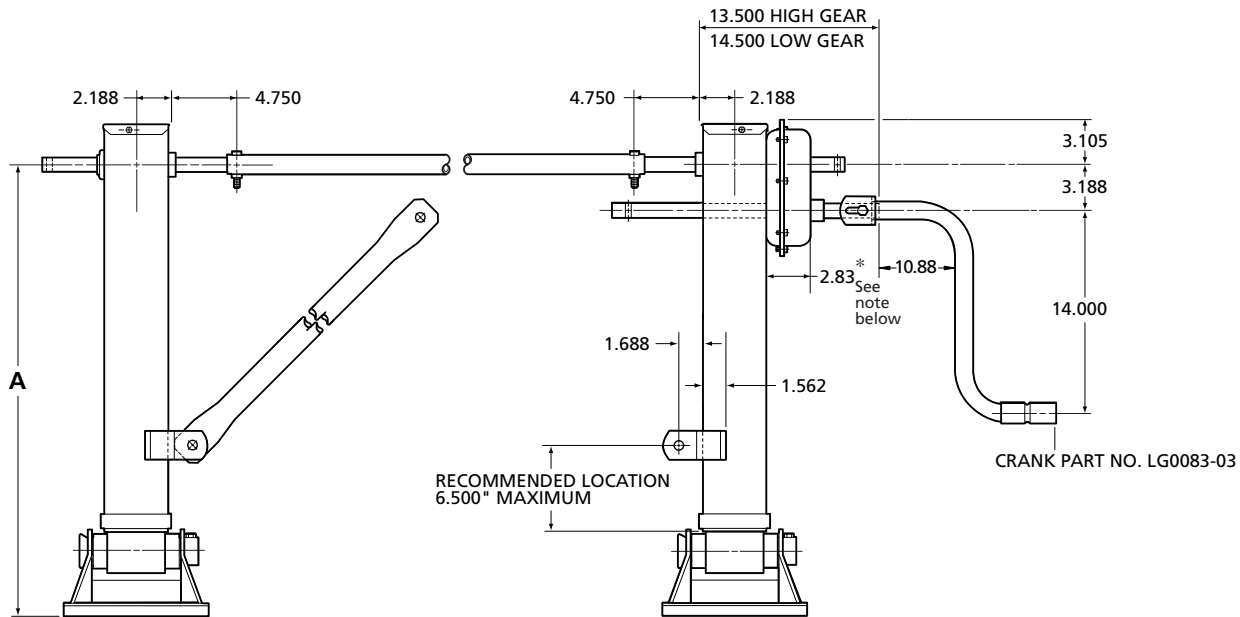
NO.	DESCRIPTION	PART NO.	SPEED	
			ONE	TWO
1A	Upper Housing LH	N/A	1	-
1B	Upper Housing RH	N/A	-	1
3	Collar	XB-LG0544	1	1
4	Thrust Bearing	XB-BRG-013-77	1	1
5	Washer - FL 2"OD x 1.19" ID x .13" THK	XB-PW-016-62	1	1
6	Pin - DIA .38" x 2"	XA-CRP-V-06635	1	1
7	Bevel Gear	LG2884	1	1
8	Pinion Gear	LG1823-02	1	1
9	Groove Pin - DIA .38" x 1.50"	XB-GP-014-18	1	2
10	Ftg - Grease .25"-28 Self Tapping	XB-GRF-022-16	2	3
12	Jack Shaft LH - Universal Mount	LG2964-01	1	-
	- Dropleg	LG2964-101	1	-
13	Pin - Spring DIA .25" x 1.5" (not required)	N/A	-	-
14	Cover Gasket	XB-LG0893	1	1
15	Top Cover	XA-LG0880	1	1
16	Self-Tapping Screw .25"-20 x .5" Lg	XB-ST5-008-11	2	9
17	Screw, Hex Cap .38"-16 x 2.25" Lg GR5	XB-HHC-050-42	1	2
18	Self-Locking Nut .38"-16 - Sandshoe	XB-SLN-012-04	2	3
19	Washer .38" Std Type A	XB-PW-016-03	-	2
20	Gearbox Half, Outside w/Hole for Grease Fitting	LG2996	-	1
22	Output Gear	LG2980	-	1
23	Jackshaft RH - Universal Mount	LG2963-01	-	1
24	Input Gear - High	LG2968	-	1
25	Input Gear - Low	LG2969	-	1
26	Groove Pin, Type E DIA .38" x 2.00" Lg	XB-GP-052-21	-	1
27	Shift Shaft - Universal Mount	LG3011-01	-	1
30	Idler Gear	LG2975	-	1
33	Hex Lock Boss	LG2926	2	2
34	Output Shaft Bushing	LG3005	-	2
35	Boss Bearing - Sealed	LG0659-10	-	3

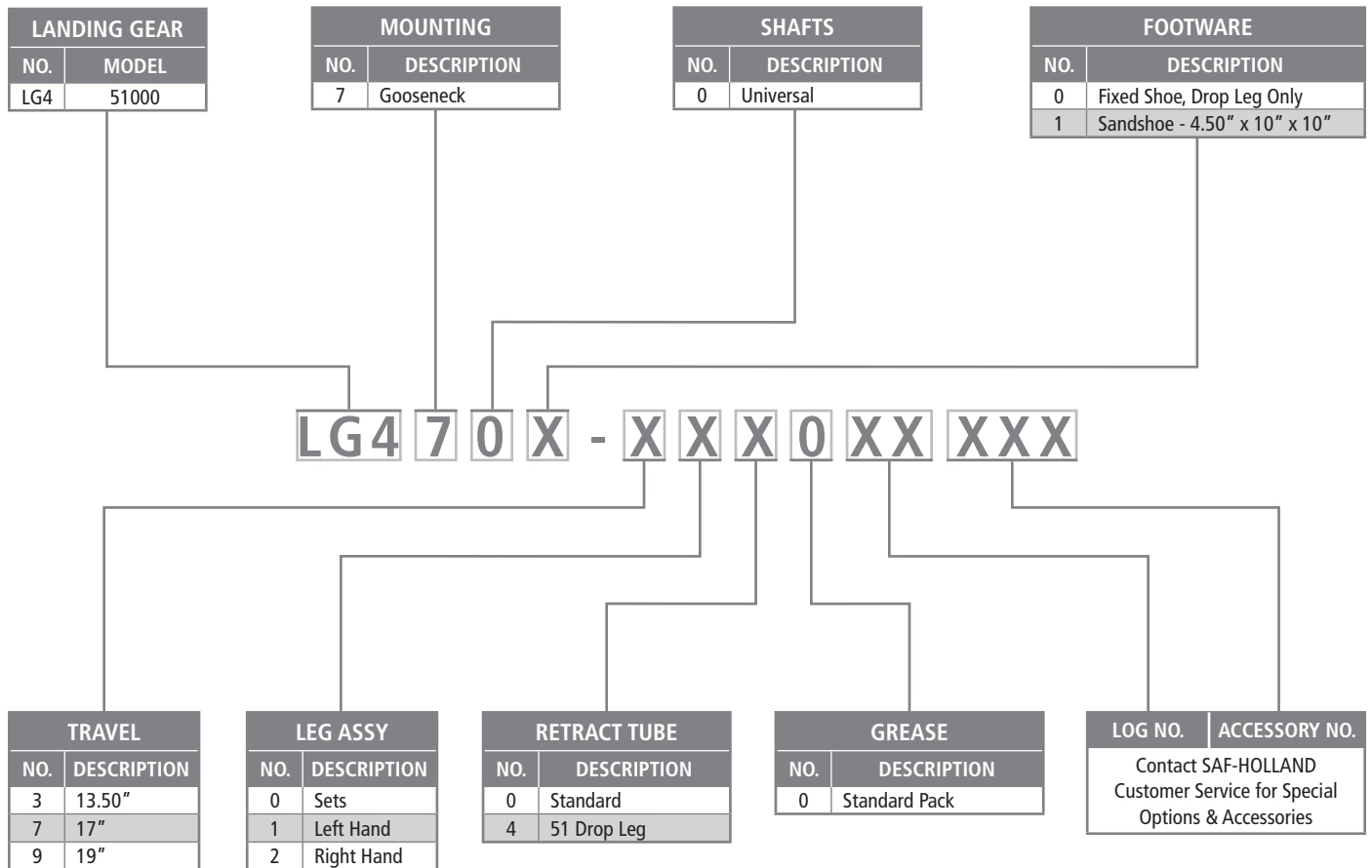
NO.	DESCRIPTION	PART NO.	SPEED	
			ONE	TWO
38	Sandshoe - 10" x 10" x 4.50"	50616001	1	1
	- 10" x 10" x 2.00"	50616008	1	1
39	Sandshoe Axle - Hollow Axle 8.50" Lg	LG0070-02	1	1
40	Screw, Hex Cap .38"-16 x .75" Lg GR5 - Sandshoe	XB-HHC-050-69	1	1
41	Tube - Inner Telescoping Drop Leg LH	LG0827-01	1	-
42	Tube - Inner Telescoping Drop Leg RH	LG0827	-	1
43	Pull Pin	LG2314	1	1
44	Self-Tapping Screw- .38" - 16 x .44"	XB-ST5-008-17	1	1
46	Bevel & Pinion Gear Repair Kit	RK-11442	1	1
47	Gear Box Repair Kit	RK-11443	-	1
48	Black Armour™ Touchup Kit (not shown)	RK-10919	1	1

**For technical assistance please go to
www.safholland.us or call 800.876.3929**

4700 & 4701 Series - Dimensions & Mounting Distances

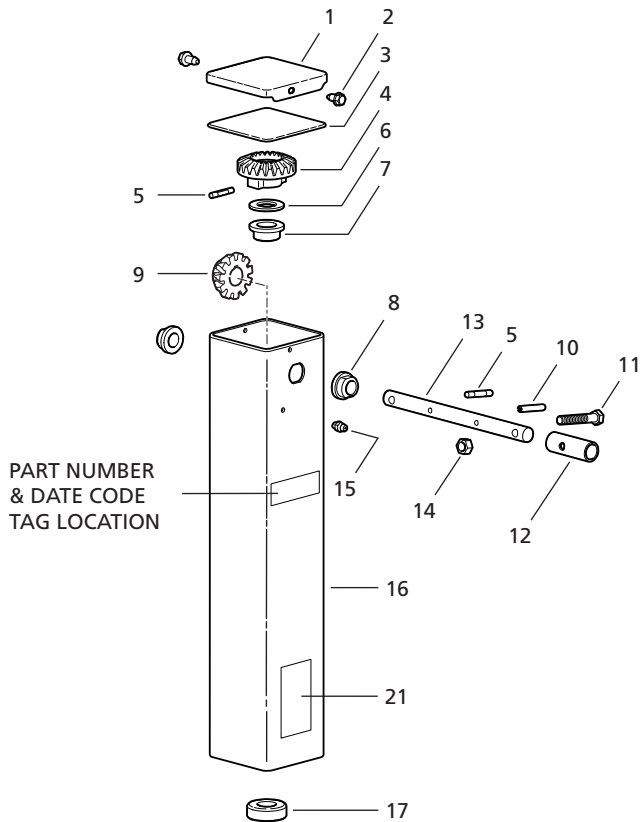
SAF-HOLLAND Group





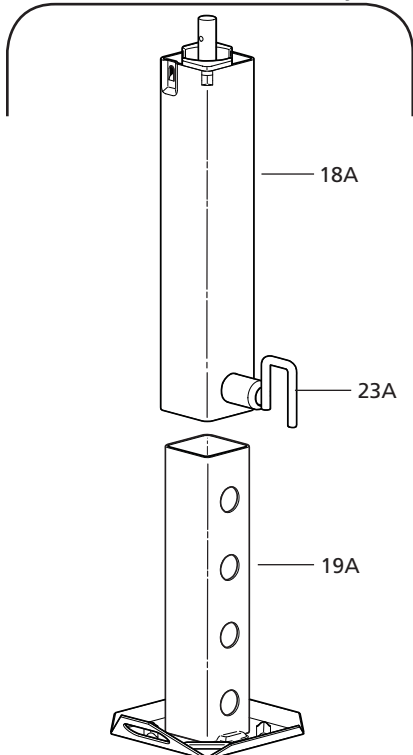
48000 Series - Exploded View & Parts List

SAF-HOLLAND Group

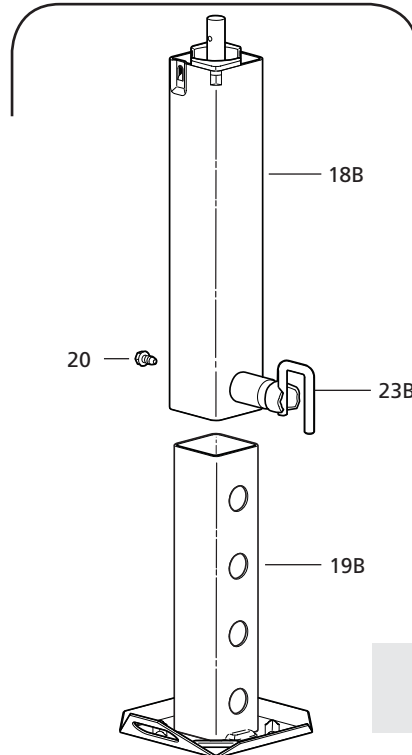


NO.	DESCRIPTION	PART NO.	QTY.
1	Top Cover	XA-LG0880	1
2	Self-Tapping Screw - .25"-20 x .50"	XB-ST5-008-11	2
3	Cover Gasket	XB-LG0893	1
4	Bevel Gear	XB-LG2027	1
5	Groove Pin - .25" x 1.50" Type E	XB-GP-014-07	2
6	Washer - 1.02" ID x 1.75" OD x .13" Thk	XB-PW-016-51	1
7	Flange Bearing	XB-LG1460	1
8	Slip-Fit Bushing	LG2329	2
9	Pinion Gear	XB-LG2026	1
10	Spring Pin - .25" x 1.50"	XB-SP-014-27	1
11	Hex Head Screw - .38"-16 x 2.25" Grade 5	XB-HHC-50-42	1
12	Crank Adapter	XB-CP4651-16	1
13	Jack Shaft	LG2328	1
14	Self-Locking Nut - .38"-16 Grade B	XB-SLN-012-04	1
15	Grease Fitting - .25"-28	XB-GRF-022-16	1
16	Upper Housing	LG2392-01	1
17	Thrust Bearing	XB-BRG-013-70	1
18A	Tube Assy - Std. Retracting	LG1899	1
18B	Tube Assy- Cam-Lock Retracting Drop Leg	LG1721	1
19A	Tube - Inner Telescoping	LG1720-40	1
19B	Tube - Inner Telescoping	LG1720-10	1
20	Self-Tapping Screw - .38"-16 x .44"	XB-ST5-008-17	1
21	Decal - Model 48000 Spring Loaded	XB-DCL-031-79	1
22	Extension Spring (Not Shown)	XB-SPG-020-26	1
23A	Pull Pin	LG0590	1
23B	Pull Pin	LG2314	1
24A	Tube Assy - Retract Screw - Cam-Lock	LG1723-02	1
24B	Tube Assy - Retract Screw - Spring Loaded	LG1723-01	1
25	Black Armour™ Touchup Paint (not shown)	RK-10919	1

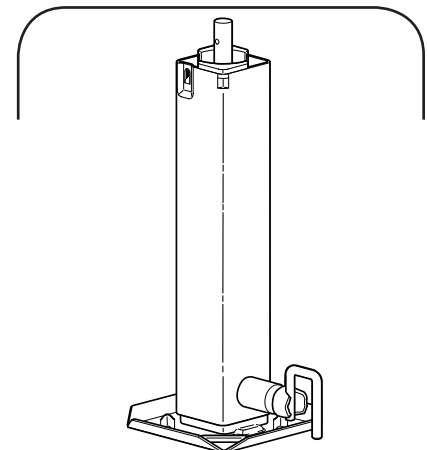
Standard Model
LG8700-3100000
 (Not Available as Assembly)



Cam Lock Model
LG8700-31200000
 (Item Number 24A)



Spring Loaded Model
LG8700-313072000
 (Item Number 24B)
 Available as Assembly Only.



MODEL NO.	APPROXIMATE WEIGHT
LG8700-31000000	41.20 lbs. w/o Accessories
LG8700-31200000	51.42 lbs. w/o Accessories
LG8700-31300000	44.53 lbs. w/o Accessories

For technical assistance please go to www.safholland.us or call 800.876.3929

21. Decal
XB-DCL-031-79
(Supplied with Spring Loaded models only.)

MODEL 48000SL
SPRING-LOADED DROP LEG
OPERATING INSTRUCTIONS

LOCKED POSITION

RELEASED POSITION

TO LOWER LEG:

1. Rotate handle to released position with hand or foot.
2. Place foot on drop leg shoe and lower spring-loaded drop section to desired extension.
3. Rotate handle to locked position with hand, then lift foot from shoe slowly until drop leg automatically locks in next hole position.
4. Rotate landing gear crank to extend leg until desired trailer height is obtained.

WARNING

SPRING-LOADED DROP LEG RETRACTS WITH FORCE AND CAN CUT AND CRUSH WHEN RETRACTING.

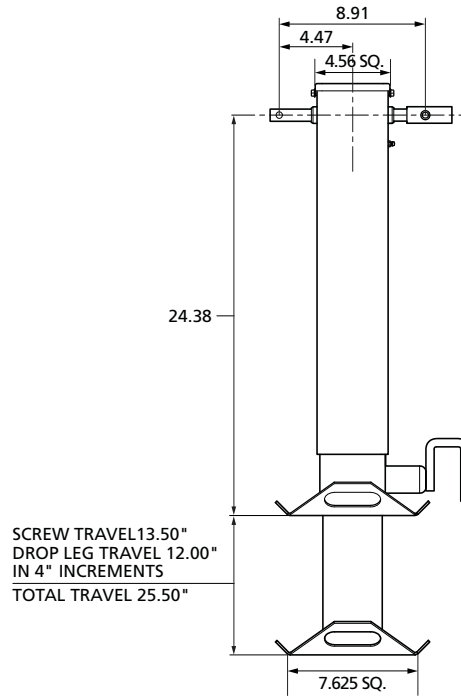
KEEP HANDS AND FEET CLEAR OF THE DROP SECTION WHILE OPERATING THE RELEASE HANDLE.

TO RETRACT LEG:

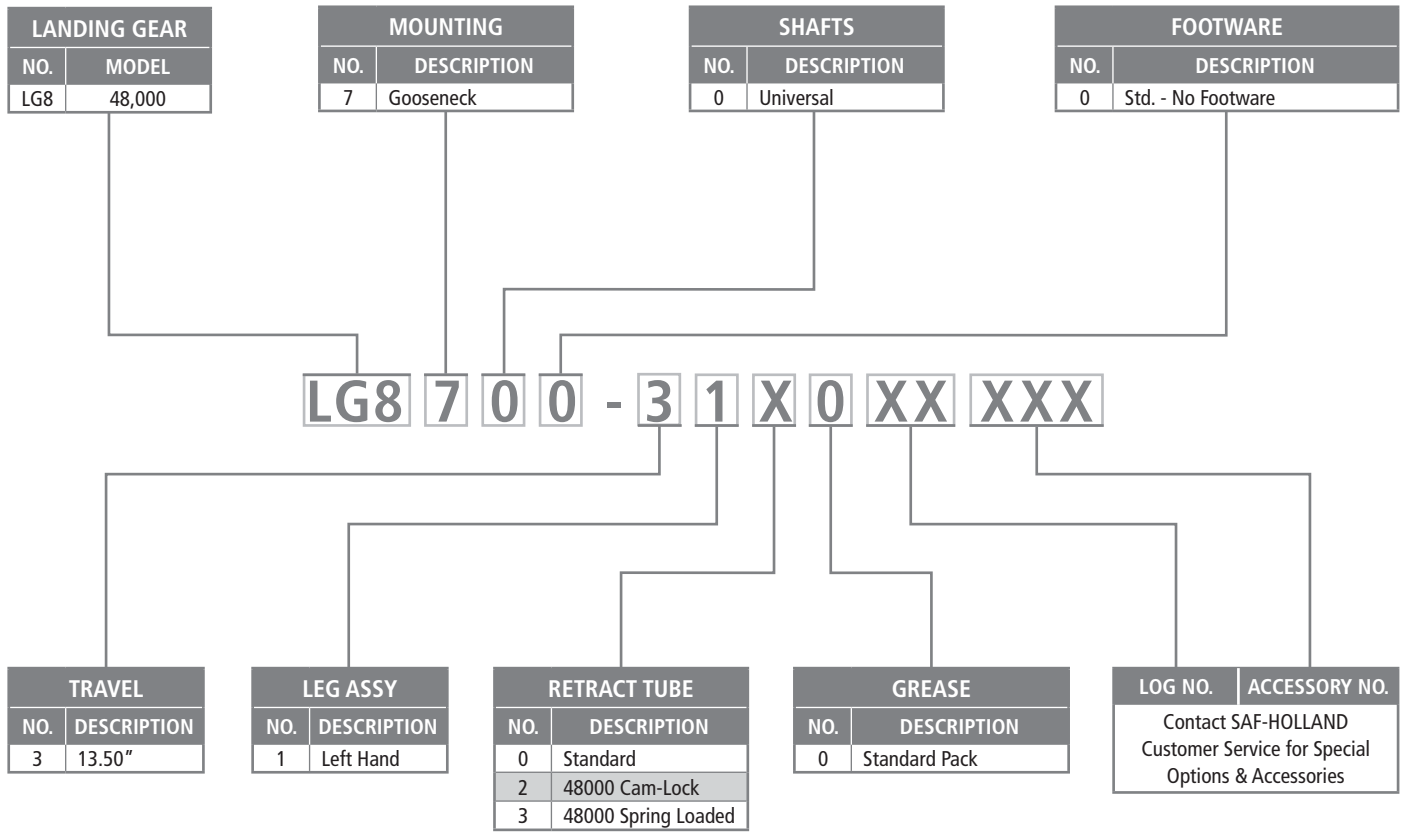
1. Rotate crank to retract leg to fully retracted (minimum) position.
2. Keeping hands and feet clear of the drop section, rotate handle to released position, which will automatically retract the spring-loaded drop section into the landing gear.
3. Rotate handle to locked position with hand or foot.

SAF-HOLLAND
 Copyright © 2005 • The Holland Group, Inc. XB-DCL-031-79 Rev. C XL-LG348-01

DIMENSIONS & CAPACITIES



Lift Capacity: 10,000 lbs.
 Rated Static Load Capacity: 12,000 lbs.
 Weight: Approximately 50 lbs.

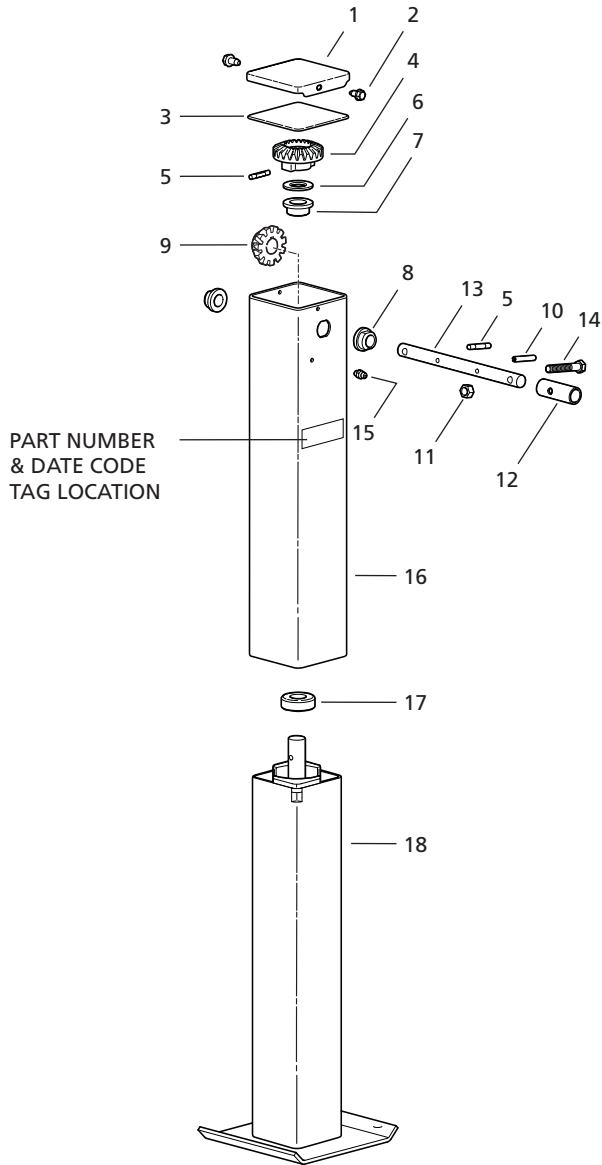


49000 Gooseneck - Exploded View, Parts List & Dimensions



SAF-HOLLAND Group

LG9700-71000000



NO.	DESCRIPTION	PART NO.	QTY.
1	Top Cover	XA-LG0880	1
2	Self-Tapping Screw - .25"-20 x .50"	XB-ST5-008-11	2
3	Cover Gasket	XB-LG0893	1
4	Bevel Gear	XB-LG2027	1
5	Groove Pin - .25" x 1.50" Type E	XB-GP-014-07	2
6	Washer - 1.02 ID x 1.75 OD x .13 THK	XB-PW-016-51	1
7	Flange Bearing	XB-LG1460	1
8	Slip-Fit Bushing	LG2329	2
9	Pinion Gear	XB-LG2026	1
10	Spring Pin - .25" x 1.50"	XB-SP-014-27	1
11	Self-Locking Nut - .38"-16 Grade B	XB-SLN-012-04	1
12	Crank Adapter	XB-CP4651-16	1
13	Jack Shaft	LG2328	1
14	Hex Head Screw - .38"-16 x 2.25" Grade 5	XB-HHC-50-42	1
15	Grease Fitting - .25"-28	XB-GRF-022-16	1
16	Upper Housing	LG2392-02	1
17	Thrust Bearing	XB-BRG-013-70	1
18	Tube Assy - Retracting & Screw - 49000	LG1468	1
19	Black Armour™ Touchup Paint (not shown)	RK-10919	1

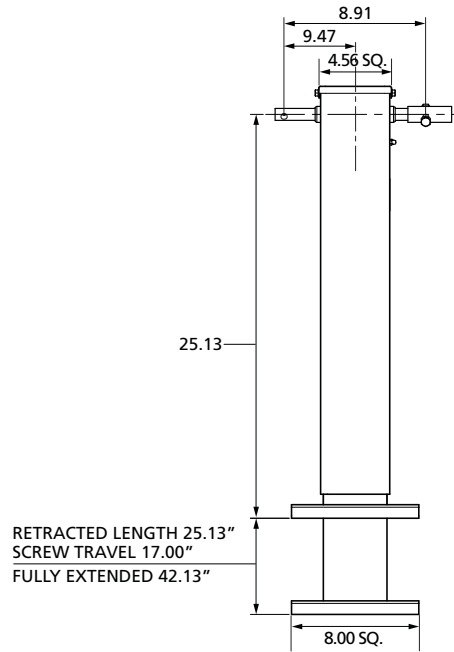
For technical assistance please go to www.safholland.us or call 800.876.3929



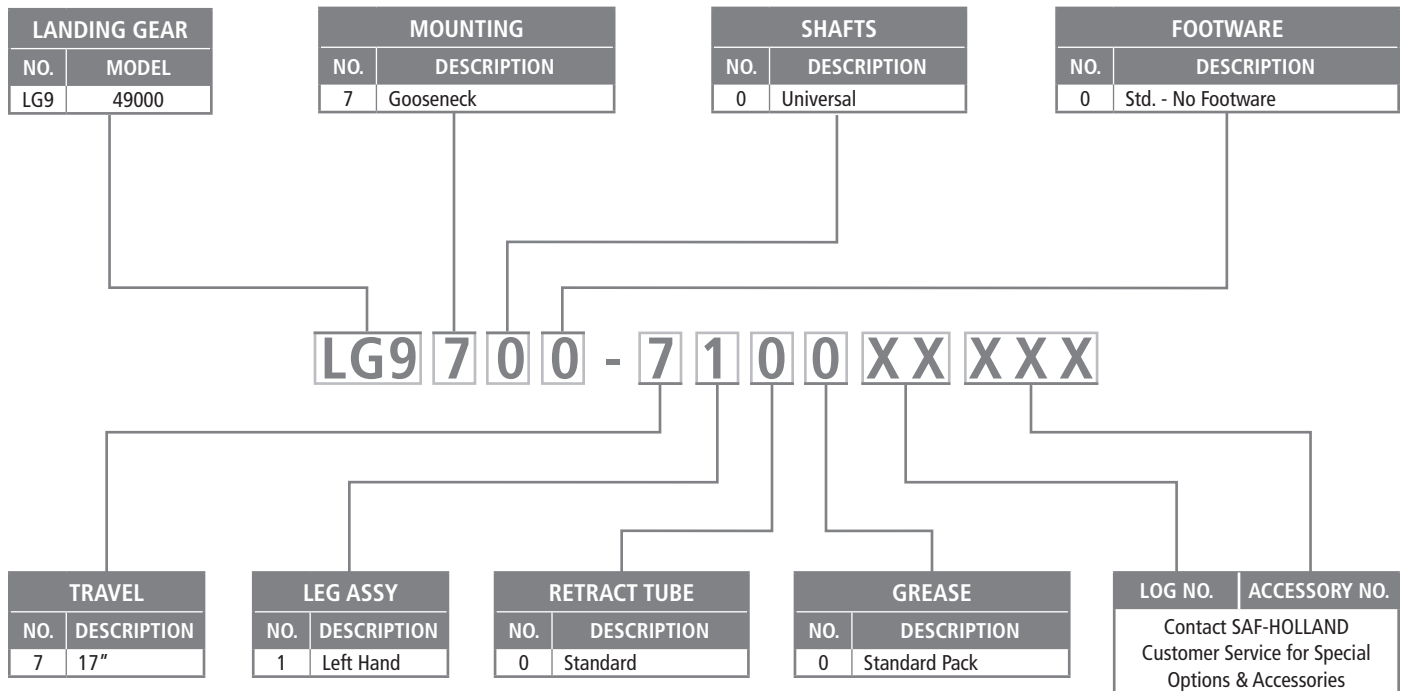
SAF-HOLLAND Group

49000 Series - Dimensions, Capacities & Ordering Code

DIMENSIONS & CAPACITIES



Lift Capacity: 10,000 lbs.
Rated Static Load Capacity: 15,000 lbs.
Weight: Approximately 36 lbs.



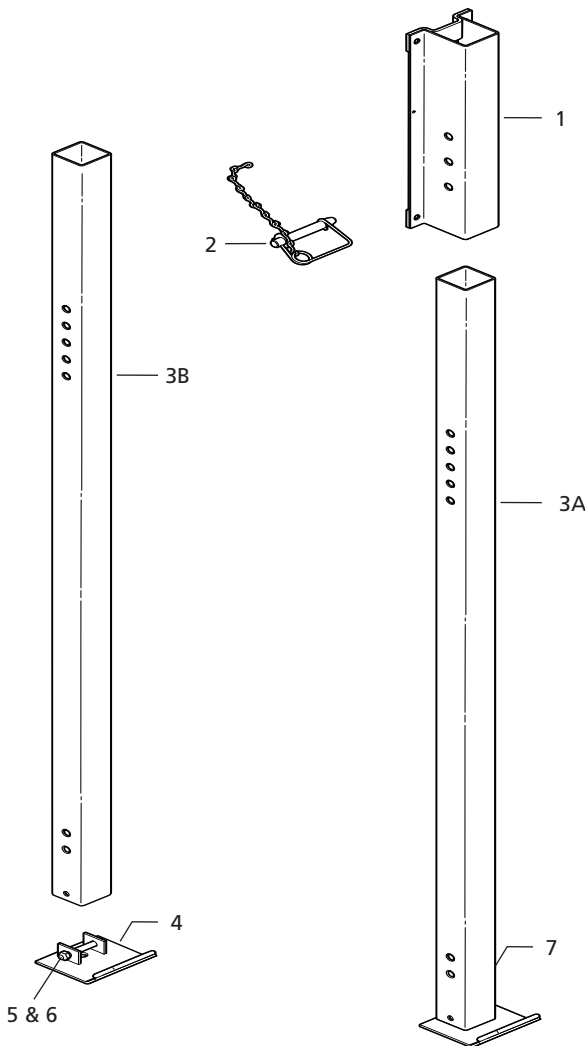
Anti-Nose Dive - Exploded View & Parts List



SAF-HOLLAND Group

NO.	DESCRIPTION	PART NO.	QTY.
1	Upper Housing	LG1871	1
2A	Lockpin Assembly	LG1877	1
2B	Lockpin Assembly w/o Chain	XB-CP4647-10	1
3A	Inner Tube - Welded Shoe	SEE CHART	1
3B	Inner Tube - Removable Shoe	SEE CHART	1
4	Removable Shoe	LG0177	1
5	Hex Head Screw - .50" -13 x 3.50"	XB-HHC-001-40	1
6	Self-Locking Nut - .50" -13	XB-SLN-012-07	1
7	Decal - Operating Instructions	XB-DCL-031-66	1

For technical assistance please go to www.safholland.us or call 800.876.3929



7. Decal
XB-DCL-031-66

**OPERATING INSTRUCTIONS
ANTI NOSE DIVE JACK**

TO EXTEND JACK:

1. Unhook the lock pin retainer clip.

CAUTION

KEEP HANDS AND FEET CLEAR OF WHERE
INNER TUBE CONTACTS GROUND.


2. Lift up on inner tube, and remove lock pin.
3. Lower inner tube to the ground.
4. Install lock pin in any of the three upper housing holes. (The inner tube may have to be lifted slightly to align holes.)
5. Hook the lock pin retainer clip.

CAUTION


INNER TUBE FOOT MUST BE
WITHIN 2" OF THE GROUND.

TO RETRACT JACK:

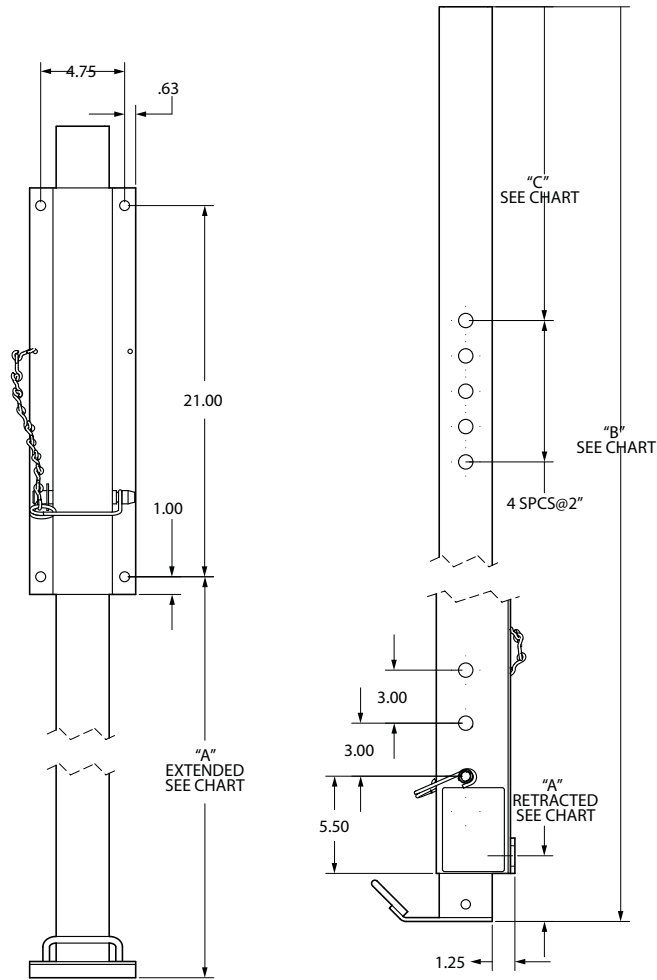
1. Unhook the lock pin retainer clip.
2. Remove lock pin.
3. Lift inner tube into minimum retracted position.
4. Install lock pin.
5. Hook lock pin retainer clip.



UPPER HOUSING
LOCK PIN
INNER TUBE


DO THE DISTANCE.
XB-DCL-031-66 REV. C
XL-LG344-01

Copyright © 2005 • The Holland Group, Inc.



Vertical Load Rating: 10,000 lbs.

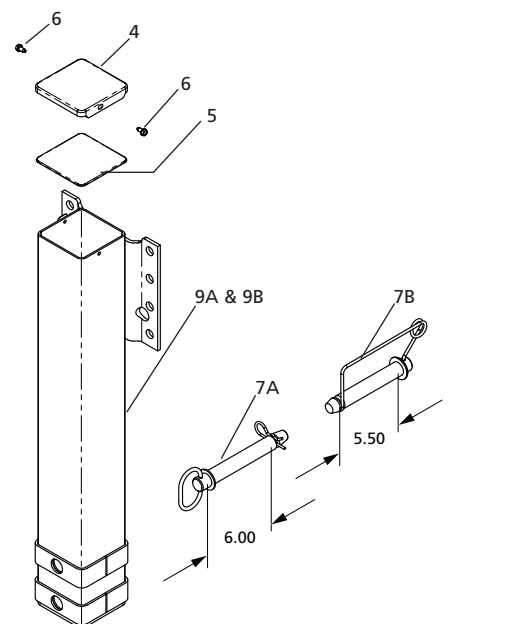
ANTI-NOSE DIVE DIMENSIONS

NO.	PART NO.	DESCRIPTION	DIMENSION "A" LENGTH		TOTAL LENGTH "B"	TOP PIN HOLE "C"	INNER TUBE PART NO.	WT. (LBS)
			Retracted (2 positions)	Extended in 1" Increments				
3A	LG1870	Shipped fully assembled, welded shoe	1.75-3.75	52.25-66.25	88.50	17.75	LG1872	86.30
	LG1870-01	Shipped disassembled, welded shoe	1.75-3.75	52.25-66.25	88.50	17.75	LG1872	86.40
	LG1870-07	Shipped disassembled, welded shoe	1.75-3.75	42.25-56.25	78.50	17.75	LG1872-03	55.80
3B	LG1870-02	Shipped fully assembled, removable shoe	1.75-3.75	52.25-66.25	88.66	17.75	LG1874-01	87.00
	LG1870-04	Shipped fully assembled, removable shoe & drop out stop	1.75-3.75	52.25-66.25	88.66	17.94	LG1879	52.50
	LG1870-05	Shipped fully assembled, removable shoe	1.75-3.75	42.25-56.25	78.50	17.75	LG1874-03	21.40

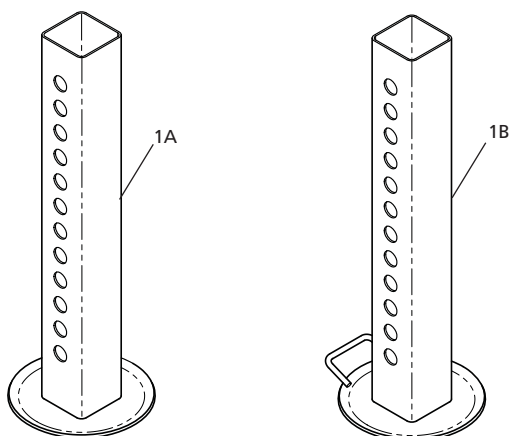
JS150-SB - Exploded View, Parts List, Dimensions & Capacities



SAF-HOLLAND Group

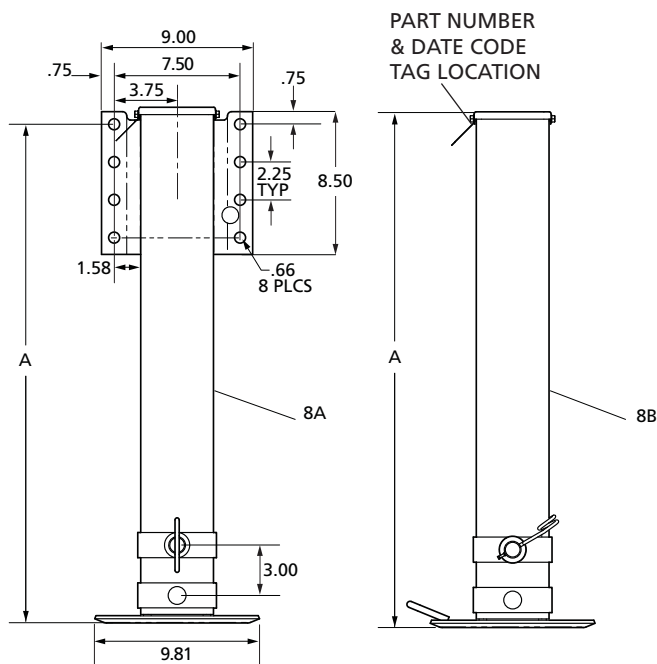
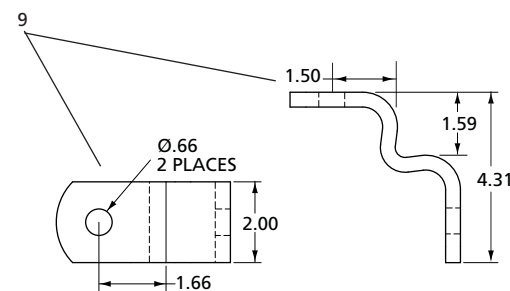


NO.	DESCRIPTION	PART NO.	QTY.
1A	Drop Tube Assy	LG2151	1
1B	Drop Tube Assy w/Handle	LG2151-101	1
3	Drop Leg Housing Assy	N/A	1
4	Top Cover	XA-LG0880	1
5	Cover Gasket	XB-LG0893	1
6	Self-Tapping Screw .25"-20 x .50"	XB-ST5-008-11	2
7A	Hitch Pin (Standard)	XB-HTP-014-69	1
7B	Snap-Lock Pin (Optional)	XB-LKP-014-100	1
8	Upper Housing Assy - w/Mounting Bracket	LG2153	1
8	Upper Housing Assy - w/out Mounting Bracket	LG2153-102	1
9	Strut Bracket (shipped loose)	LG0266	1



PART NO.	DIMENSION "A"			WEIGHT (LBS)
	EXTENDED LENGTH IN 1" INCREMENTS	RETRACTED LENGTH	TOTAL TRAVEL	
JS150-SB*	54.70	29.70	25.00	47.10
JS150-SB-102*	51.70	26.70	25.00	44.80
JS150-SB-101*	55.58	30.58	25.00	47.30

*Can add - NB to the end of part number for No Brackets (LG0266). LG0266 Strut Bracket included but not shown. See Accessories Catalog No. XL-AM10013PM for bracket information.



For technical assistance please go to www.safholland.us or call 800.876.3929

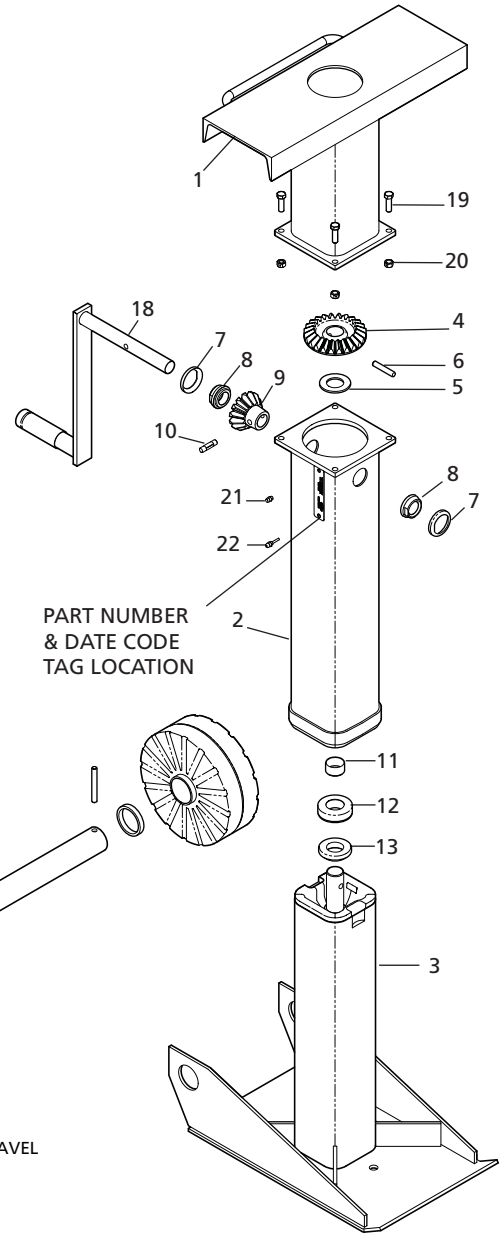
Standard Vertical Load Capacity: 30,000 lbs.



JS2000 Series - Exploded View, Parts List, Dimensions & Capacities

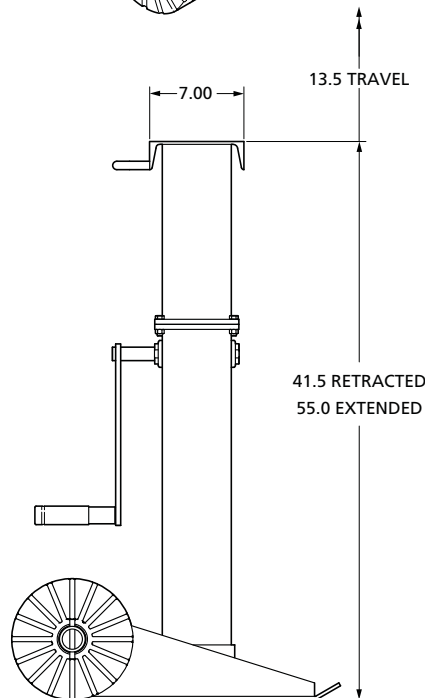
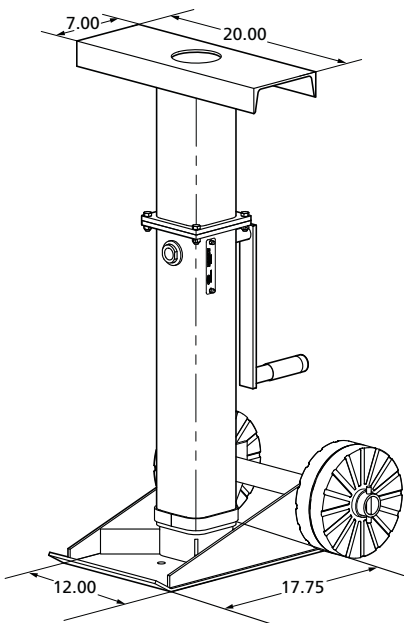
SAF-HOLLAND Group

NO.	DESCRIPTION	PART NO.	QTY.
1	Lift Assembly	XA-V-77070	1
2	Upper Tube Assembly	XA-V-77071	1
3	Inner Leg & Screw Assembly	XA-V-07957	1
4	Bevel Gear	XA-V-06601	1
5	Washer 1.26" ID x 2.25" OD	XB-V-06632	1
6	Pin, .38" x 2"	XA-CRP-V-06635	1
7	Retainer	XB-LG1570	2
8	Double Step Bearing	XB-LG0559	2
9	Bevel Pinion Gear	XA-V-06600	1
10	Grooved Pin .38" x 1.50"	XB-GP-38-1-12-E	1
11	Screw Bushing	XB-V-06630	1
12	Thrust Bearing	XB-V-647	1
13	Collar	XB-V-06629	1
14	Wheel S/A, Heavy Duty	XB-V-747-HD-1	2
15	Spring Pin	XB-21-S-375-3000	2
16	Spacer	XA-02154	2
17	Axle	XA-V-1875-10	1
18	Gear Shaft Assembly	XA-V-07954	1
19	HHCS .38"-16 x 1.13" Plated	XB-C-375-C-125	4
20	Nut Lock .38"-16	XB-338	4
21	Lube Fitting	XB-767	1
22	Lube Fitting w/Extension Tube	XB-767-L	1



PART NUMBER & DATE CODE TAG LOCATION

For technical assistance please go to www.safholland.us or call 800.876.3929



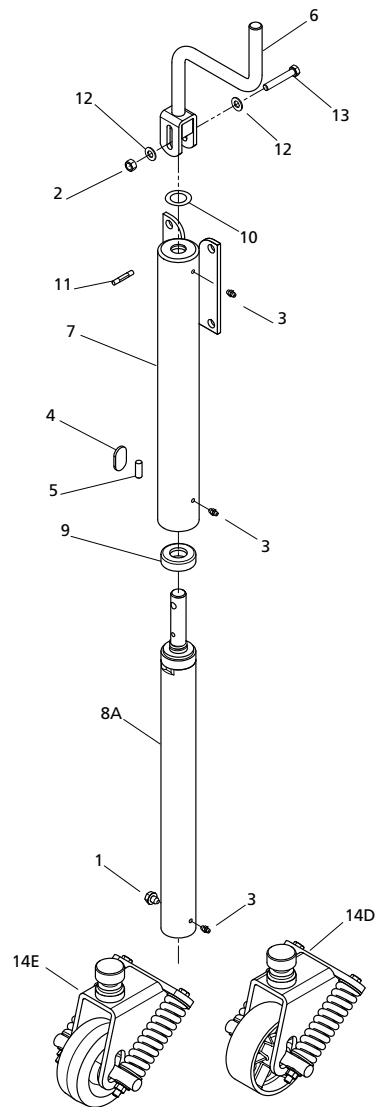
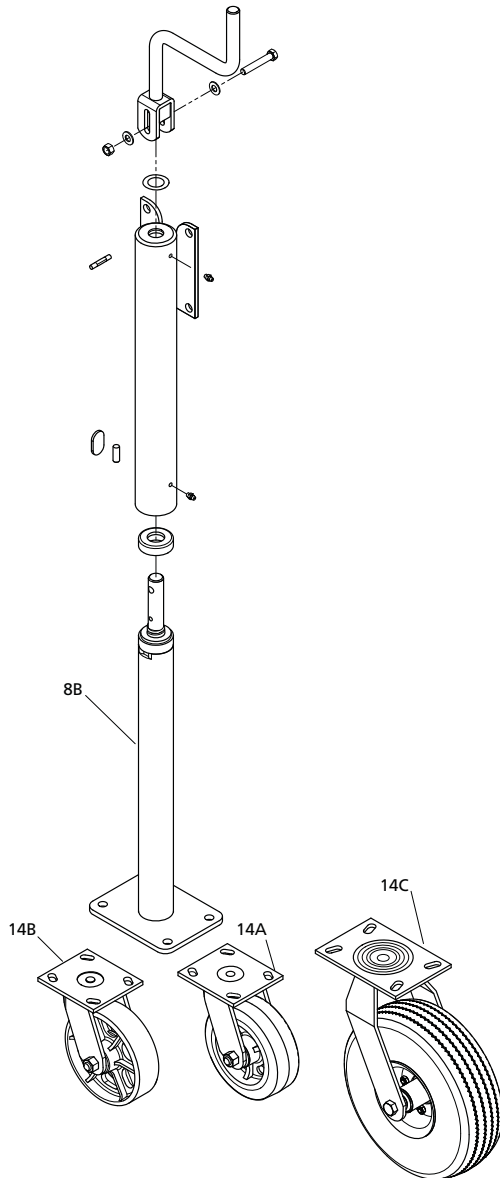
Static Load Capacity: 62,500 lbs.
 Lift Capacity: 8,000 lbs.
 4.1 Crank Turns per 1" Travel
 Weight: 148.00 lbs.

JS300 Series - Exploded View & Parts List



SAF-HOLLAND Group

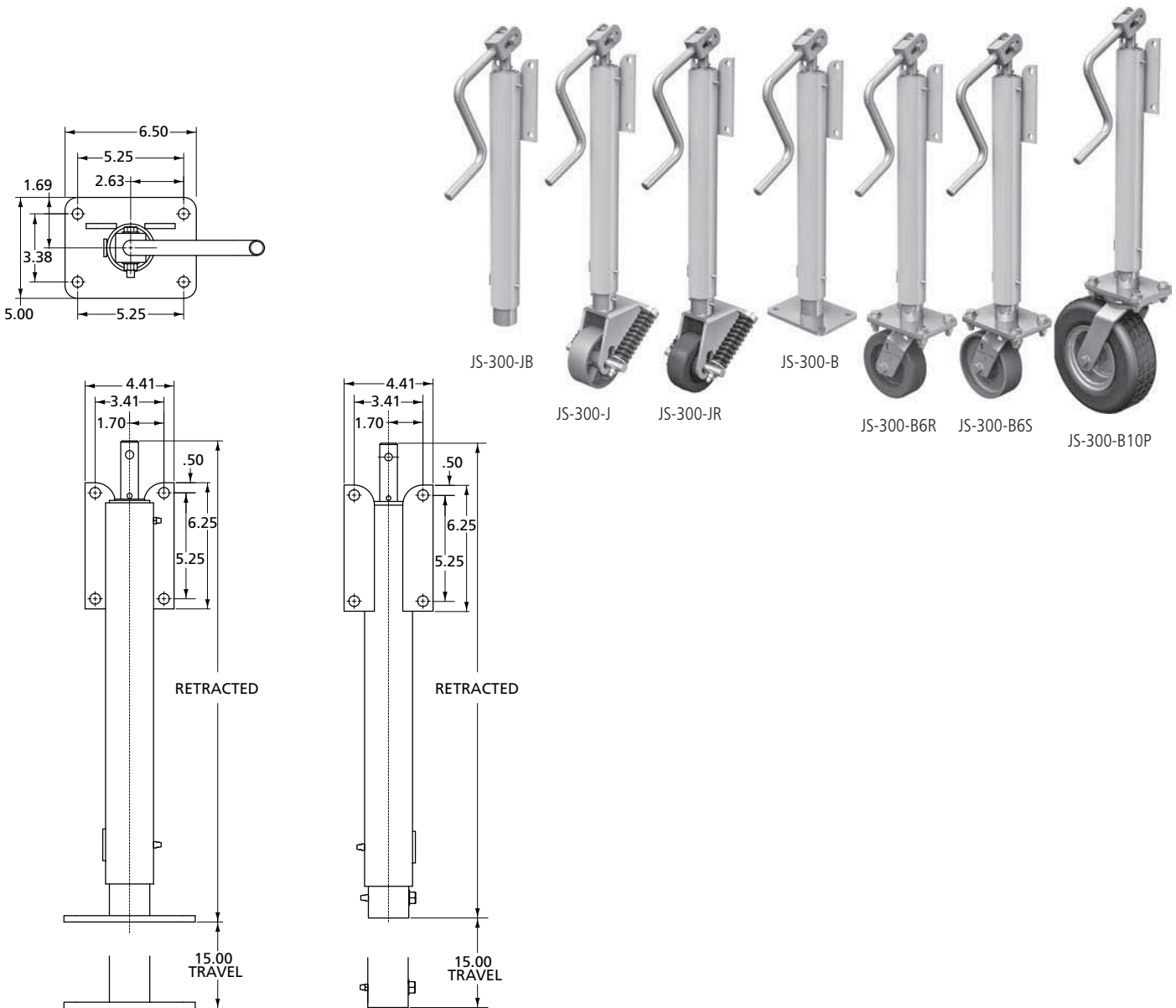
NO.	DESCRIPTION	PART NO.	QTY.
1	Selftap Screw - .38" - 16 x .44" Hex Head	XB-ST5-008-17	1
2	Self locking Nut - .38" - 16 Grade B	XB-SLN-012-04	1
3	Grease Fitting - .25" - 28 Straight	XB-GRF-022-16	3
4	Punchout Slot, Retract Tube	LG1973-50	1
5	Dowel Pin 3/8" x 1" Std Series	LG2596	1
6	Crank Assy	XA-V-298-01	1
7	Leg Assy - Upper	LG2601	1
8A	Leg Assy - Lower	LG2602	1
8B	- Lower	LG2955	1
9	Thrust Bearing	XB-BRG-013-70	1
10	Washer 1.50" OD x .94" ID x .06"	XB-PW-016-88	1
11	Grooved Pin	XB-GP-014-07	1
12	Plain Washer .41" ID x .81" OD x .06"	XB-PW-016-03	2
13	HD Hex Screw, .38" - 16 x 2.25"	XB-HHC-050-42	1
14A	Swivel Caster - 800 lb Capacity	XB-03695	1
14B	1200 lb Capacity	XB-03857	1
14C	600 lb Capacity	XB-03858	1
14D	Caster Assembly - 1200 lb. Capacity	LG2605	1
14E	Caster Assembly - 500 lb. Capacity	LG2954	1



STANDARD MODEL	RETRACTED LENGTH	FOOTWARE	STATIC LOAD CAPACITY*	WT (LBS)
JS-300-J8	23.4"	None	-	23 lbs.
JS-300-J	30.3"	5" x 2" Steel	1200 lbs.	36 lbs.
JS-300-JR	30.3"	5" x 2" Plastic	500 lbs.	34 lbs.
JS-300-B	23.7"	None	-	25 lbs.
JS-300-B6R	31.4"	6" x 2" Mold-on Rubber	800 lbs.	35 lbs.
JS-300-B6S	31.4"	6" x 2" Cast Steel	1200 lbs.	37 lbs.
JS-300-B10P	36.2"	10" x 3" 4-Ply Pneumatic	600 lbs.	41 lbs.

* Actual capacity is determined by caster.

NOTE: Bracing is not included. SAF-HOLLAND recommends that adequate bracing of dolly jacks to dolly frames be used in order to ensure structural rigidity.



For technical assistance please go to www.safholland.us or call 800.876.3929

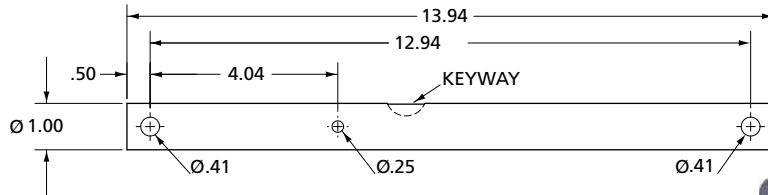
Replacement Shafts

Jack Shafts - Left Hand Universal

51000 & 51000 NoLube™ (LG4),
Fast Gear & Fast Gear NoLube™ (FG4),

FOR MODELS BEFORE SEPTEMBER 2010

4700 & 4701 Series (LG47)

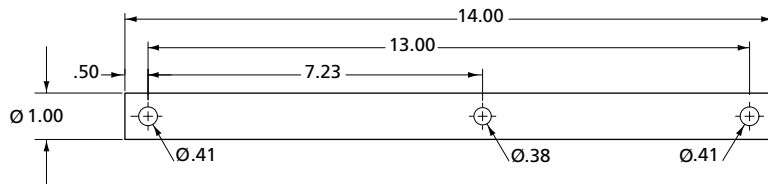


PART NO.	WEIGHT (lbs)
LG0927	2.99

Atlas 55 & Atlas 55 NoLube™ (LG4),

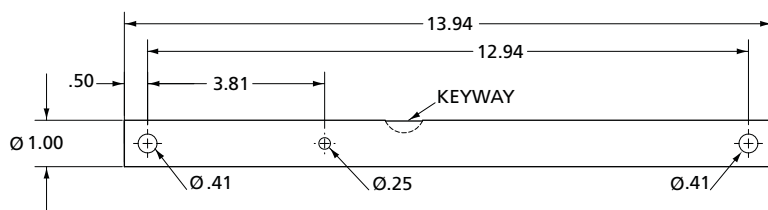
FOR MODELS AFTER SEPTEMBER 2010

4700 & 4701 Series (LG47)



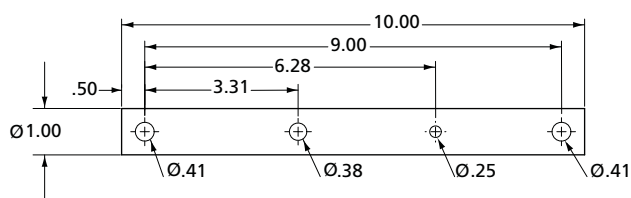
PART NO.	WEIGHT (lbs)
LG2964-01	3.00

50000 & 50000 NoLube™ (LG5)



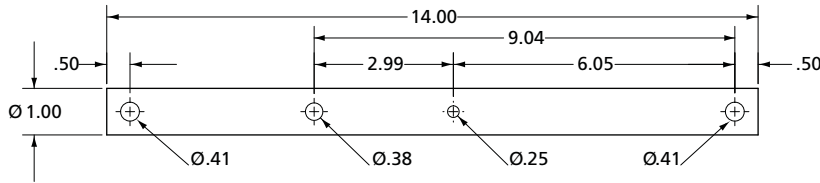
PART NO.	WEIGHT (lbs)
LG0259	2.99

CMS2 & CMS3



PART NO.	WEIGHT (lbs)
750004	2.99

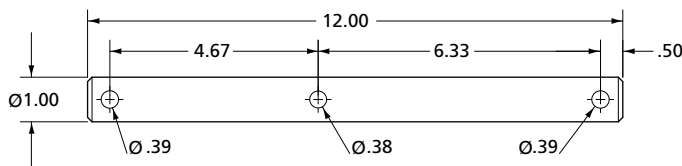
Jack Shafts - Left Hand Universal Classic (LG2T)



PART NO.	WEIGHT (lbs)
LG-750004-01	2.99



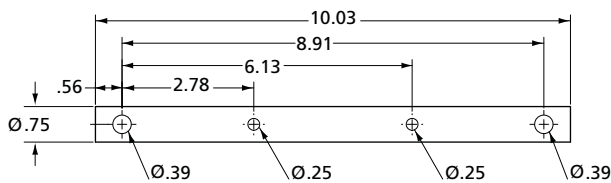
Mark V & Mark V Heavy Duty



PART NO.	WEIGHT (lbs)
XA-V-06623-A	2.57



Dual-Pin Drop Leg (LGD700), 48000 Series (LG87), 4900 Series (LG97)

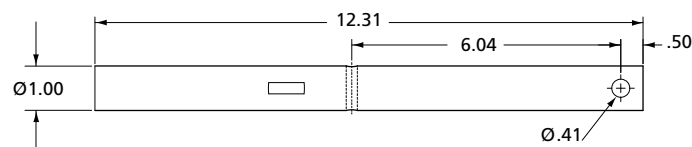


PART NO.	WEIGHT (lbs)
LG2328	1.19



Jack Shafts - Left Hand I-Beam

51000 & 51000 NoLube™ (LG4), Fast Gear & Fast Gear NoLube™ (FG4)

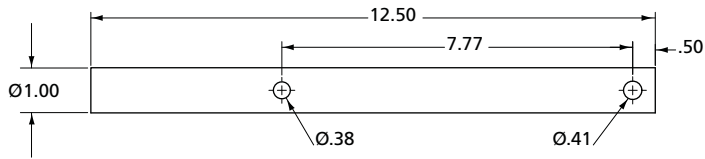


PART NO.	WEIGHT (lbs)
LG0946	2.67



Jack Shafts - Left Hand I-Beam

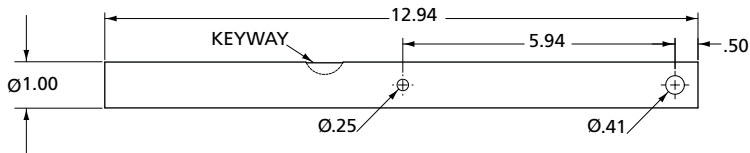
Atlas 55 & Atlas 55 NoLube™ (LG4)



PART NO.	WEIGHT (lbs)
LG2964-04	2.69



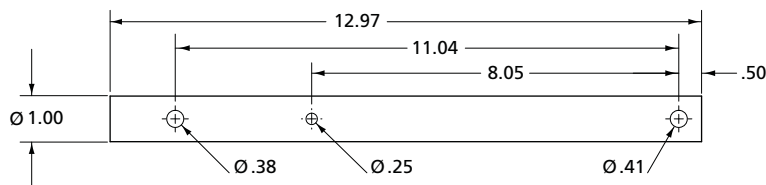
50000 & 50000 NoLube™ (LG5)



PART NO.	WEIGHT (lbs)
LG0369-01	2.80



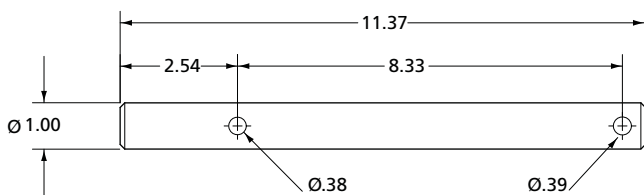
Classic (LG2T)



PART NO.	WEIGHT (lbs)
LG-750004-04	1.27



Mark V & Mark V Heavy Duty

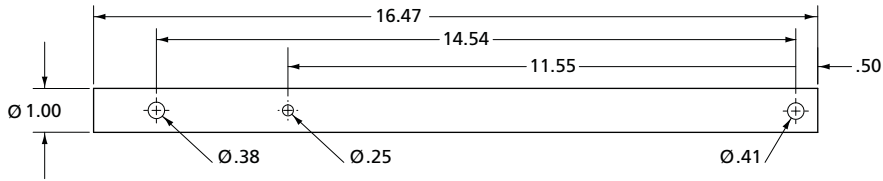


PART NO.	WEIGHT (lbs)
XA-V-06623-D	2.46



Jack Shafts - Left Hand Extended I-Beam

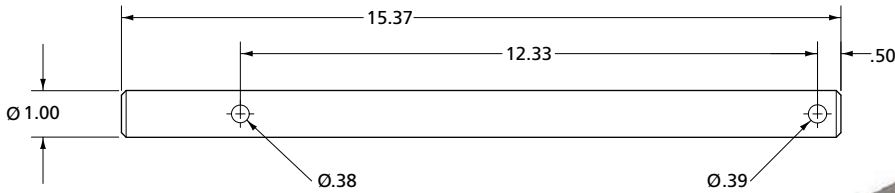
Classic (LG2T)



PART NO.	WEIGHT (lbs)
LG-750004-05	1.62



Mark V & Mark V Heavy Duty

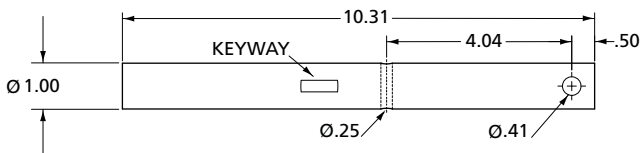


PART NO.	WEIGHT (lbs)
XA-V-06623-F	3.36



Jack Shafts - Left Hand Conventional

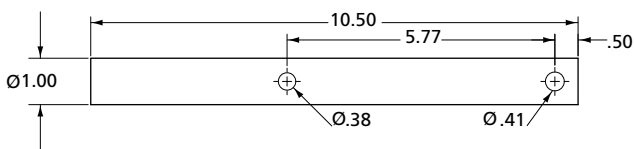
**51000 & 51000 NoLube™ (LG4)
Fast Gear & Fast Gear NoLube™ (FG4)**



PART NO.	WEIGHT (lbs)
LG0946-02	2.22



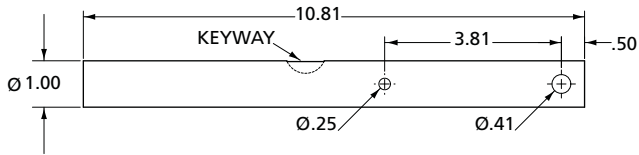
Atlas 55 & Atlas 55 NoLube™ (LG4)



PART NO.	WEIGHT (lbs)
LG2964-02	2.24



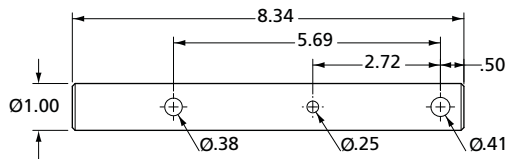
Jack Shafts - Left Hand Conventional 50000 & 50000 NoLube™ (LG5)



PART NO.	WEIGHT (lbs)
LG0369-05	2.33



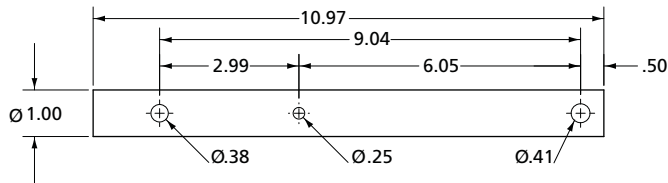
CMS2 & CMS3



PART NO.	WEIGHT (lbs)
750450	1.77



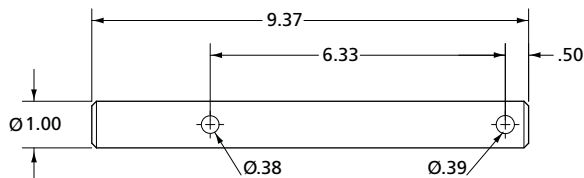
Classic (LG2T)



PART NO.	WEIGHT (lbs)
LG-750004-02	2.35



Mark V & Mark V Heavy Duty

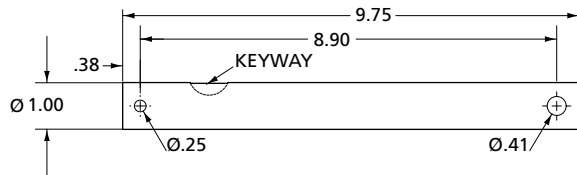


PART NO.	WEIGHT (lbs)
XA-V-06623-C	2.02



Jack Shafts - Left Hand Reverse

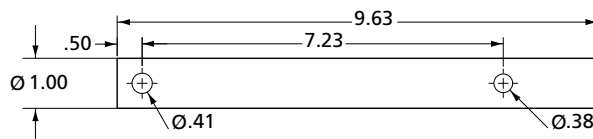
51000 & 51000 NoLube™ (LG4)
Fast Gear & Fast Gear NoLube™ (FG4)



PART NO.	WEIGHT (lbs)
LG0948	2.10



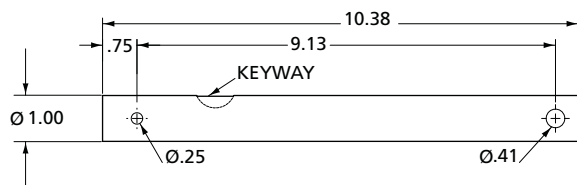
Atlas 55 & Atlas 55 NoLube™ (LG4)



PART NO.	WEIGHT (lbs)
LG2964-03	2.05



50000 & 50000 NoLube™ (LG5)

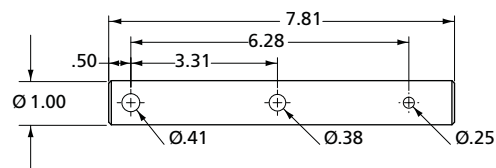


PART NO.	WEIGHT (lbs)
LG0436	2.24



Jack Shafts - Left Hand Reverse

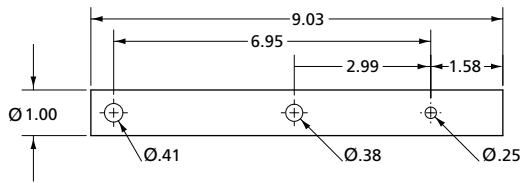
CMS2 & CMS3



PART NO.	WEIGHT (lbs)
750452	1.65

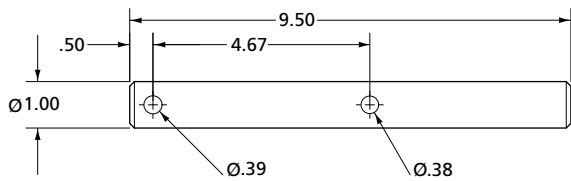


Jack Shafts - Left Hand Reverse Classic (LG2T)



PART NO.	WEIGHT (lbs)
LG-750004-03	1.94

Mark V & Mark V Heavy Duty

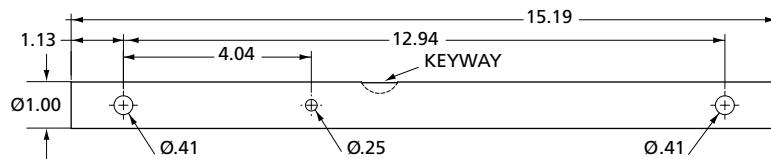


PART NO.	WEIGHT (lbs)
XA-V-06623-B	2.05

Jack Shafts - Drop Leg

FOR MODELS BEFORE SEPTEMBER 2010

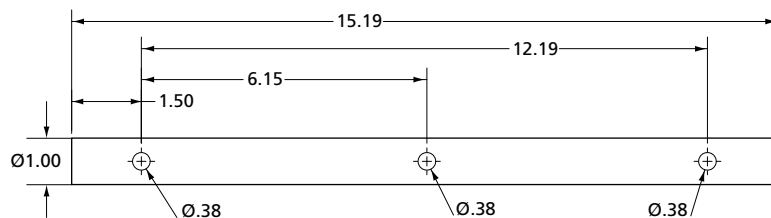
4700 & 4701 Series (LG47)



PART NO.	WEIGHT (lbs)
LG0189-01	3.27

FOR MODELS AFTER SEPTEMBER 2010

4700 & 4701 Series (LG47)



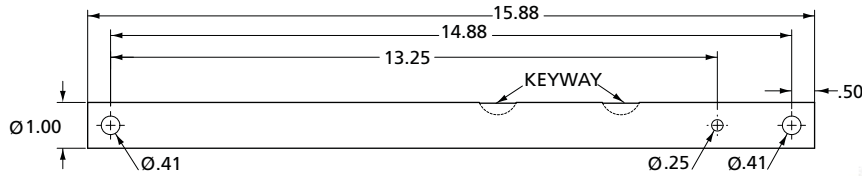
PART NO.	WEIGHT (lbs)
LG2964-101	3.26

Jack Shafts - Right Hand Universal

51000 & 51000 NoLube™ (LG4),

FOR MODELS BEFORE SEPTEMBER 2010

4700 & 4701 Series (LG47)



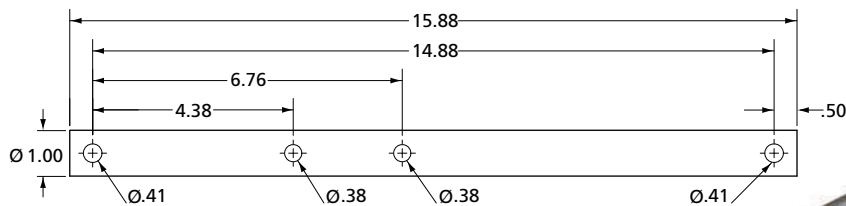
PART NO.	WEIGHT (lbs)
LG0928	3.41



Atlas 55 & Atlas 55 NoLube™ (LG4),

FOR MODELS AFTER SEPTEMBER 2010

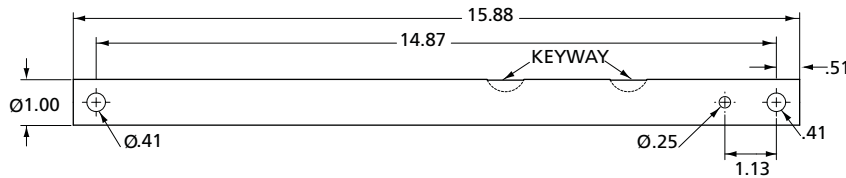
4700 & 4701 Series (LG47)



PART NO.	WEIGHT (lbs)
LG2963-01	3.37



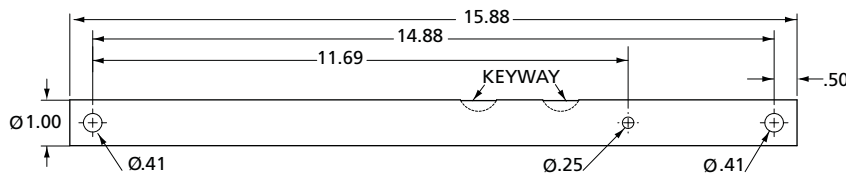
50000 & 50000 NoLube™ (LG5)



PART NO.	WEIGHT (lbs)
LG0260	3.41



Fast Gear & Fast Gear NoLube™ (FG4)

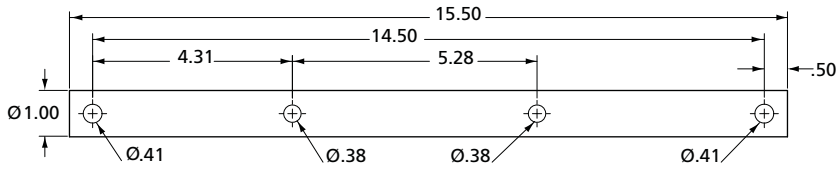


PART NO.	WEIGHT (lbs)
LG2147	3.41



Jack Shafts - Right Hand Universal

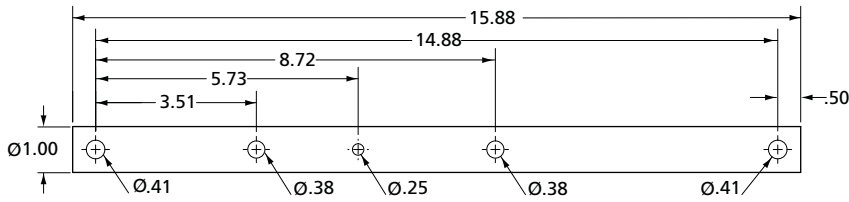
CMS2



PART NO.	WEIGHT (lbs)
750002	3.30



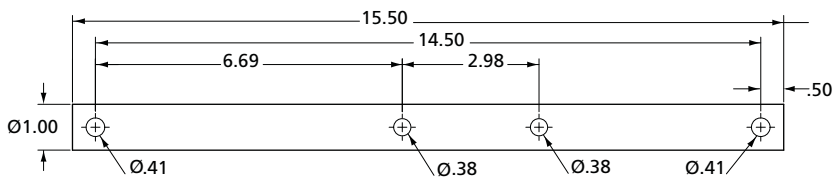
Classic (LG2T)



PART NO.	WEIGHT (lbs)
LG-750002-01	3.40



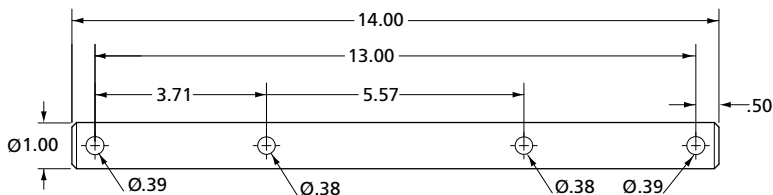
CMS3



PART NO.	WEIGHT (lbs)
180000	3.30



Mark V & Mark V Heavy Duty

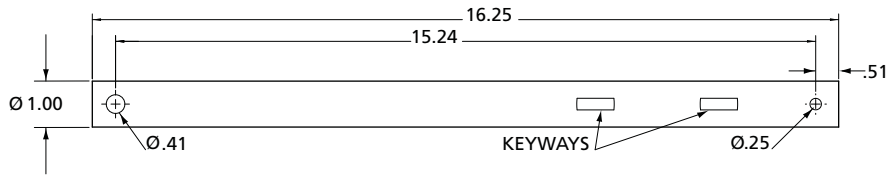


PART NO.	WEIGHT (lbs)
XA-V-06624-A	2.98



Jack Shafts - Right Hand I-Beam

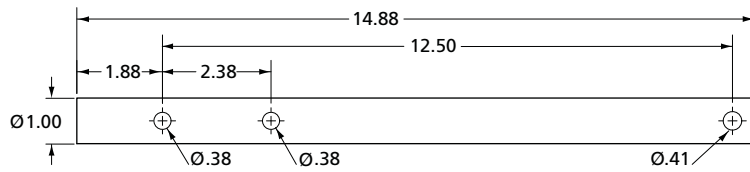
51000 & 51000 NoLube™ (LG4)



PART NO.	WEIGHT (lbs)
LG0947	3.13



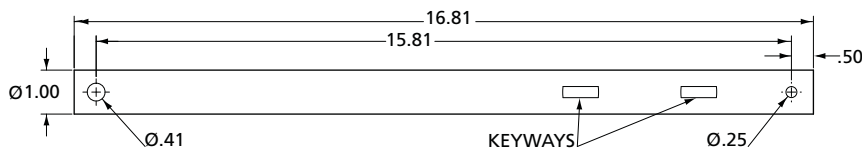
Atlas 55 & Atlas 55 NoLube™ (LG4)



PART NO.	WEIGHT (lbs)
LG2963-04	3.20



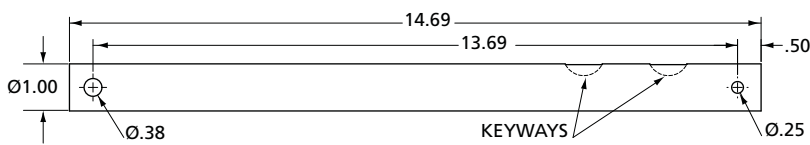
50000 & 50000 NoLube™ (LG5)



PART NO.	WEIGHT (lbs)
LG0370-01	3.65



Fast Gear & Fast Gear NoLube™ (FG4)

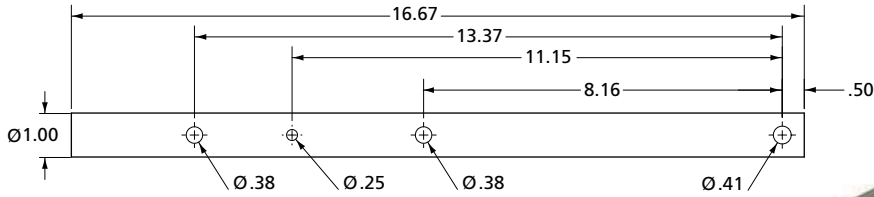


PART NO.	WEIGHT (lbs)
LG2187	3.18



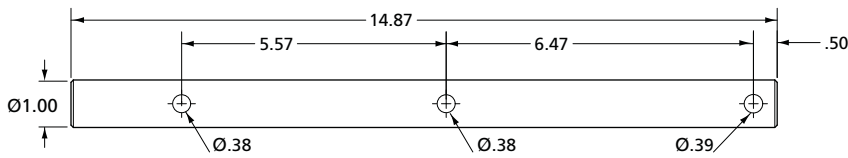
Jack Shafts - Right Hand I-Beam

Classic (LG2T)



PART NO.	WEIGHT (lbs)
LG-750002-04	1.63

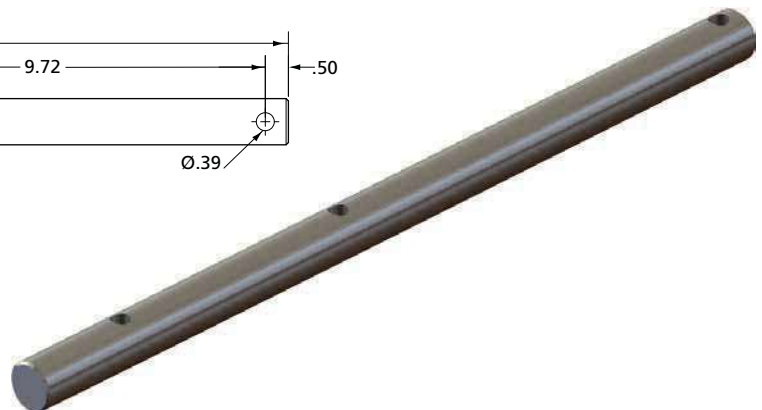
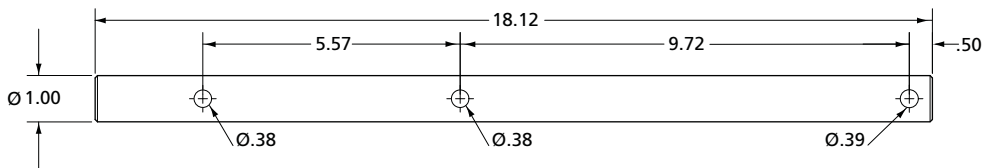
Mark V & Mark V Heavy Duty



PART NO.	WEIGHT (lbs)
XA-V-06624-D	3.22

Jack Shafts - Right Hand Extended I-Beam

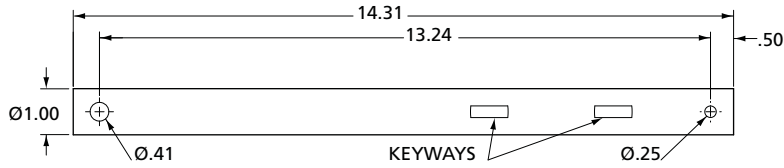
Mark V & Mark V Heavy Duty



PART NO.	WEIGHT (lbs)
XA-V-06624-F	3.94

Jack Shafts - Right Hand Conventional

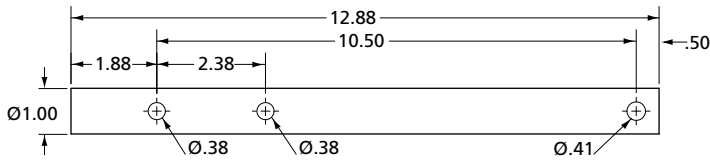
51000 & 51000 NoLube™ (LG4)



PART NO.	WEIGHT (lbs)
LG0947-02	3.09



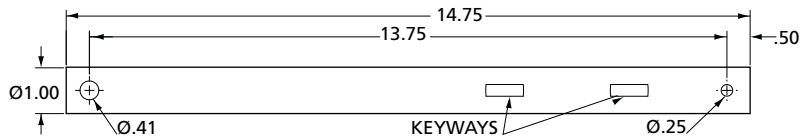
Atlas 55 & Atlas 55 NoLube™ (LG4)



PART NO.	WEIGHT (lbs)
LG2963-02	2.74



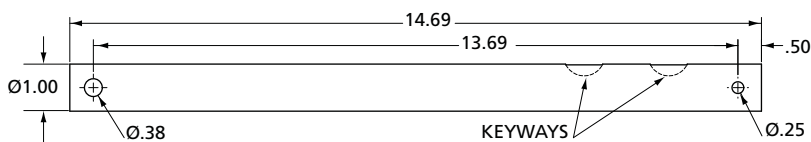
50000 & 50000 NoLube™ (LG5)



PART NO.	WEIGHT (lbs)
LG0370-05	3.20



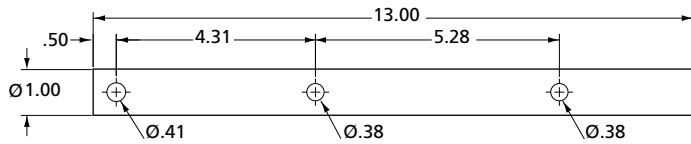
Fast Gear & Fast Gear NoLube™ (FG4)



PART NO.	WEIGHT (lbs)
LG2187-01	2.74

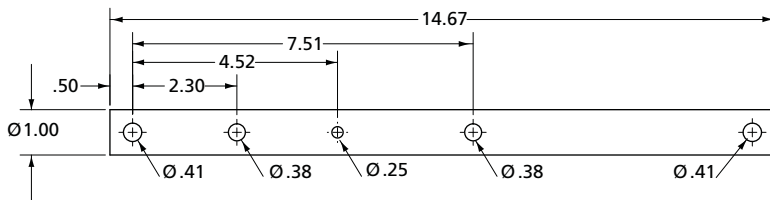


Jack Shafts - Right Hand Conventional CMS2



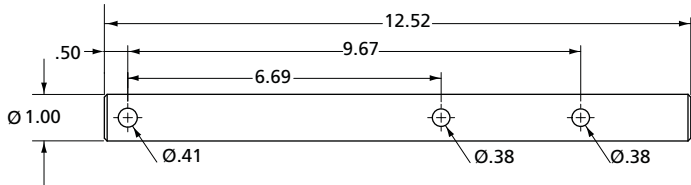
PART NO.	WEIGHT (lbs)
750241	2.78

Classic (LG2T)



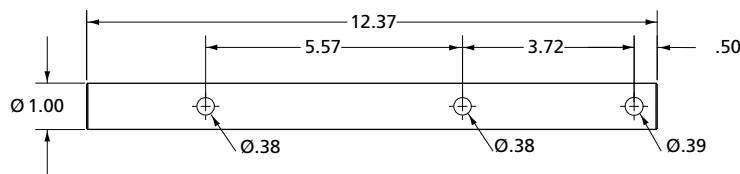
PART NO.	WEIGHT (lbs)
LG-750002-02	3.15

CMS3



PART NO.	WEIGHT (lbs)
180010	2.67

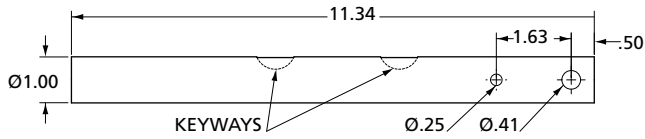
Mark V & Mark V Heavy Duty



PART NO.	WEIGHT (lbs)
XA-V-06624-C	2.66

Jack Shafts - Right Hand Reverse

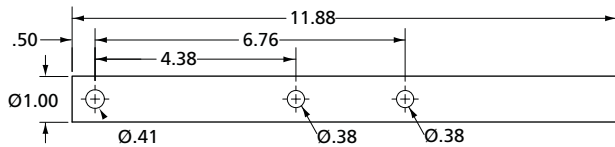
51000 & 51000 NoLube™ (LG4)



PART NO.	WEIGHT (lbs)
LG0949	2.44



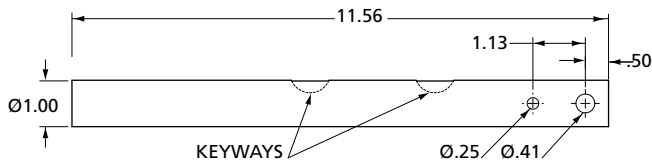
Atlas 55 & Atlas 55 NoLube™ (LG4)



PART NO.	WEIGHT (lbs)
LG2963-03	2.52



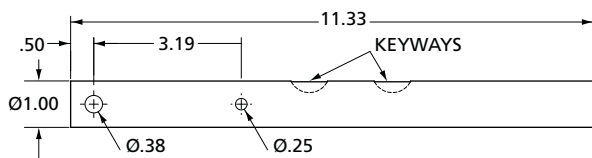
50000 & 50000 NoLube™ (LG5)



PART NO.	WEIGHT (lbs)
LG0438	2.49



Fast Gear & Fast Gear NoLube™ (FG4)

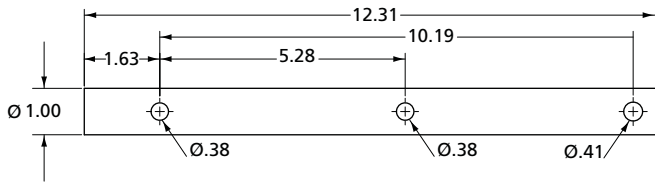


PART NO.	WEIGHT (lbs)
LG2197	2.44



Jack Shafts - Right Hand Reverse

CMS2

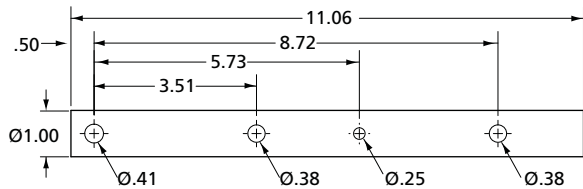


PART NO.	WEIGHT (lbs)
750245	2.63



Jack Shafts - Right Hand Reverse

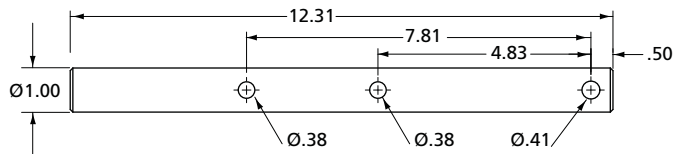
Classic (LG2T)



PART NO.	WEIGHT (lbs)
LG-750002-03	2.36



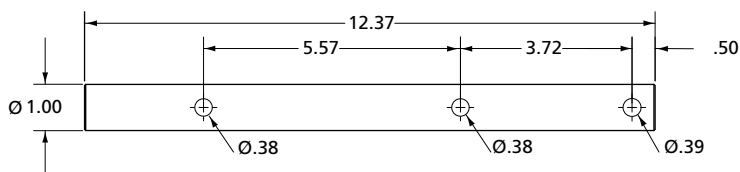
CMS3



PART NO.	WEIGHT (lbs)
180016	2.62



Mark V & Mark V Heavy Duty

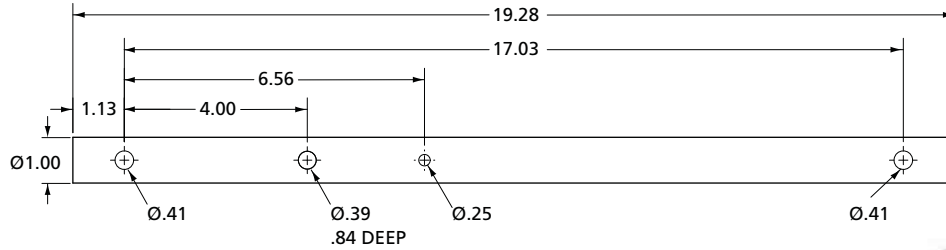


PART NO.	WEIGHT (lbs)
XA-V-06624-C	2.66

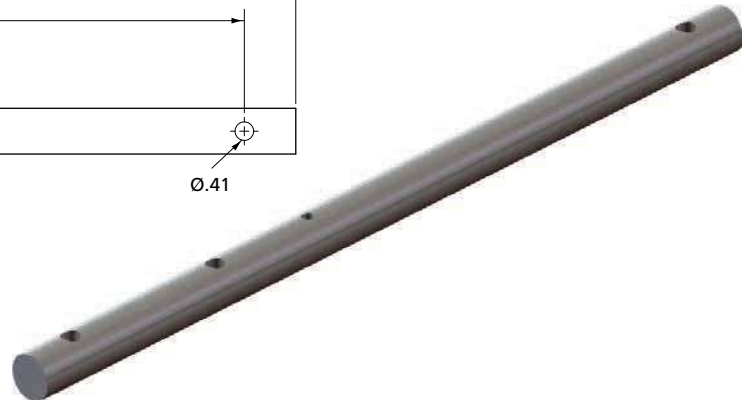


Shift Shafts - Right Hand Universal

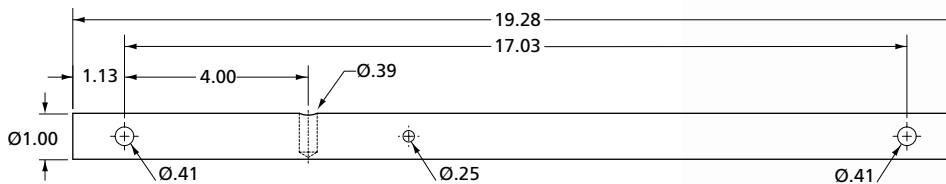
51000 (LG4),
50000 (LG5)



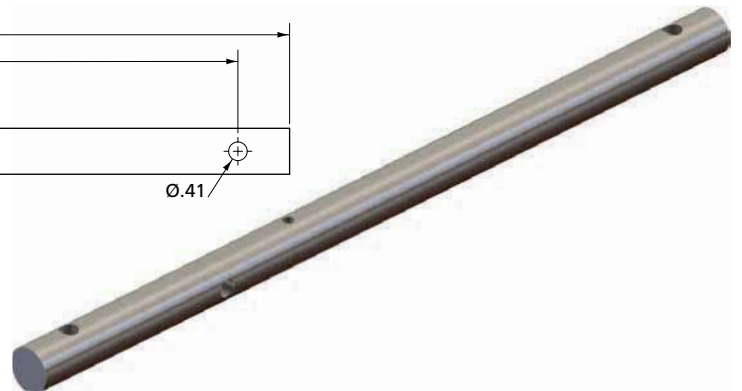
PART NO.	WEIGHT (lbs)
LG0261-01	4.15



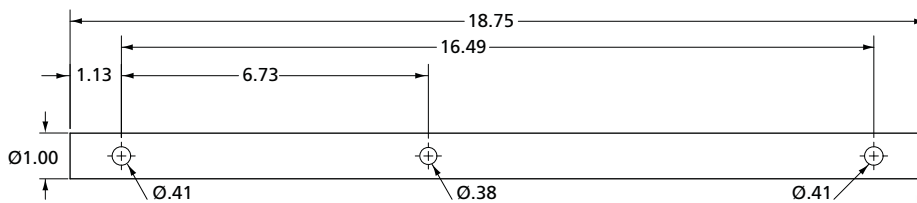
51000 NoLube™ (LG4)
& 50000 NoLube™ (LG5)



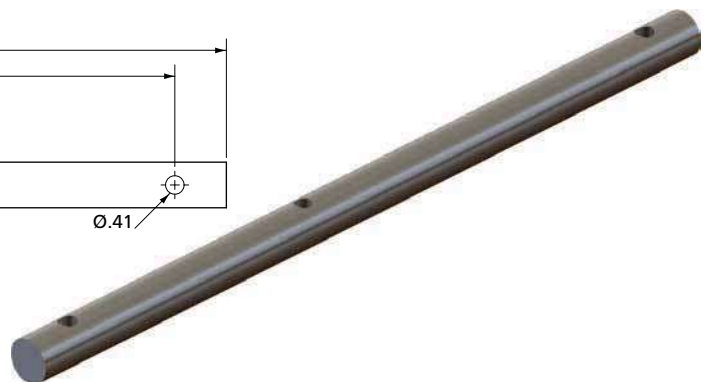
PART NO.	WEIGHT (lbs)
LG0861-01	4.15



Atlas 55 & Atlas 55 NoLube™ (LG4),
FOR MODELS AFTER SEPTEMBER 2010
4700 & 4701 Series (LG47)

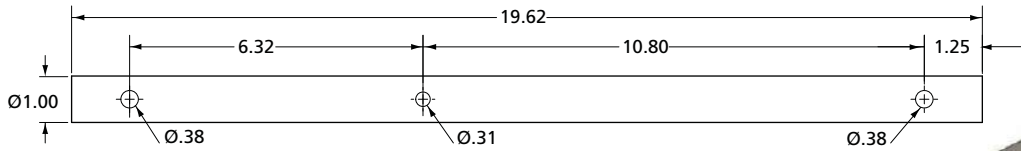


PART NO.	WEIGHT (lbs)
LG3011-01	4.05

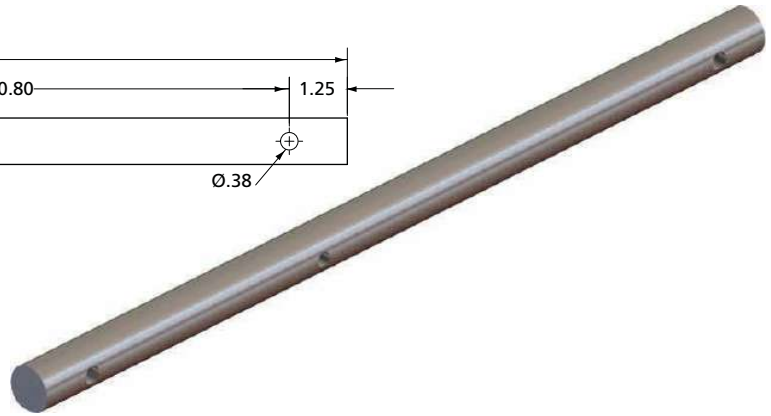


Shift Shafts - Right Hand Universal

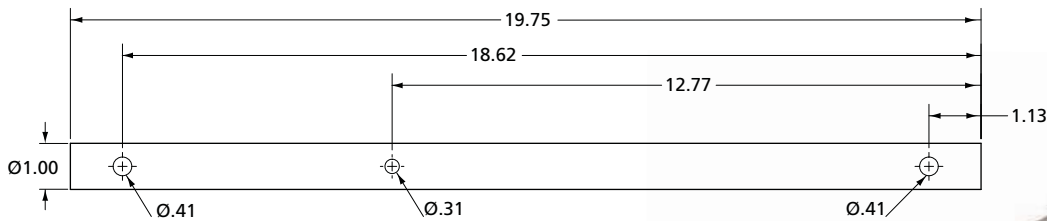
CMS2 & CMS3



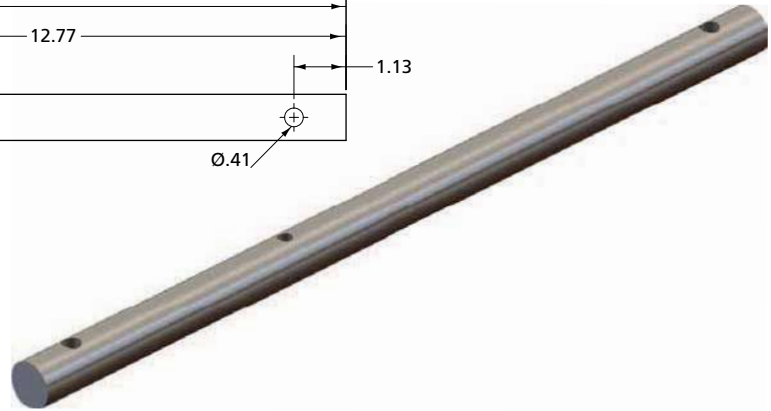
PART NO.	WEIGHT (lbs)
751175	4.26



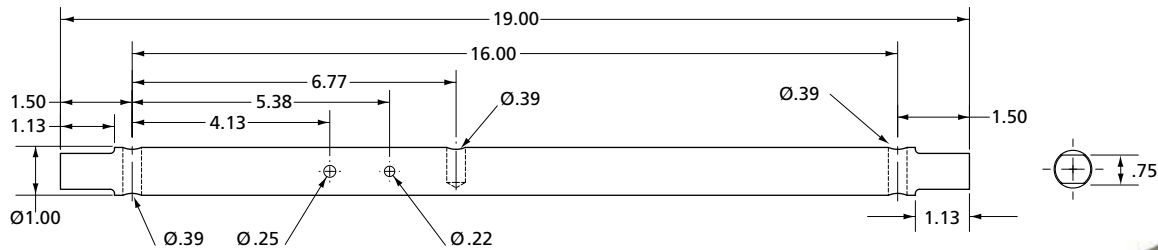
Classic (LG2T)



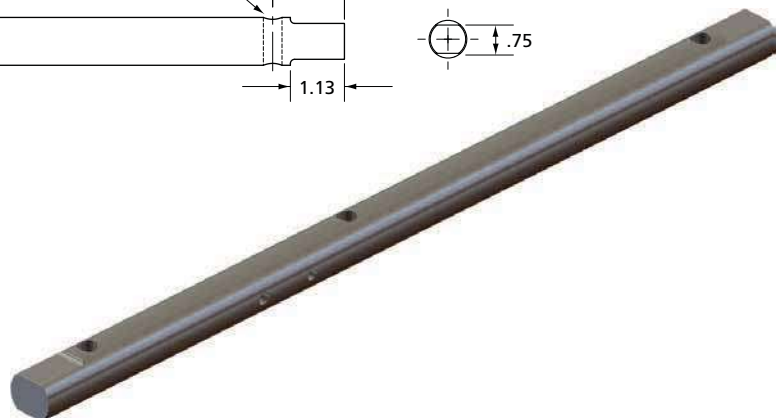
PART NO.	WEIGHT (lbs)
LG-751175-01	4.30



Mark V & Mark V Heavy Duty

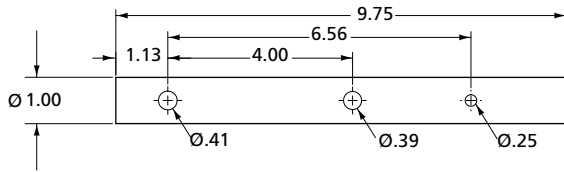


PART NO.	WEIGHT (lbs)
XA-V-06625-A	4.05



Shift Shafts - Right Hand I-Beam Mount

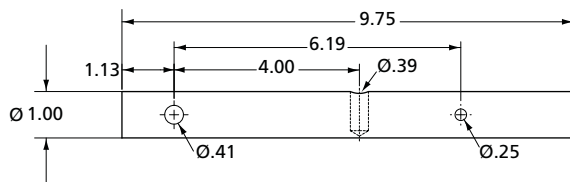
51000 (LG4),
50000 (LG5)



PART NO.	WEIGHT (lbs)
LG0371-01	2.08



51000 NoLube™ (LG4),
50000 NoLube™ (LG5)

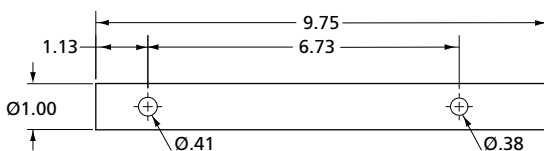


PART NO.	WEIGHT (lbs)
LG0859-01	2.08



Shift Shafts - Right Hand I-Beam Mount

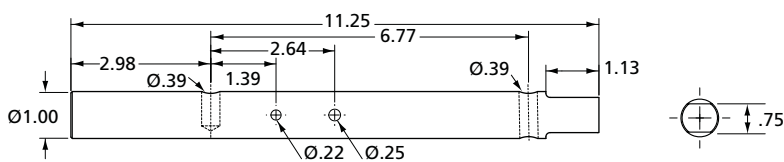
Atlas 55 & Atlas 55 NoLube™ (LG4)



PART NO.	WEIGHT (lbs)
LG3011-02	2.09



Mark V & Mark V Heavy Duty

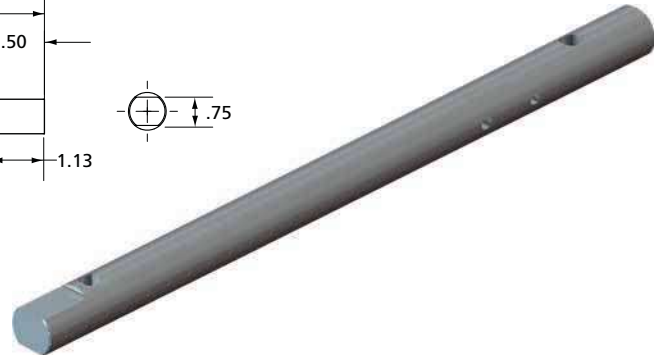
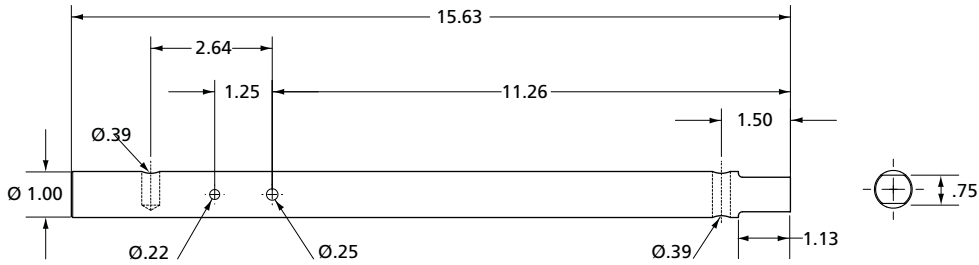


PART NO.	WEIGHT (lbs)
XA-V-06625-C	2.39



Shift Shafts - Right Hand Extended I-Beam Mount

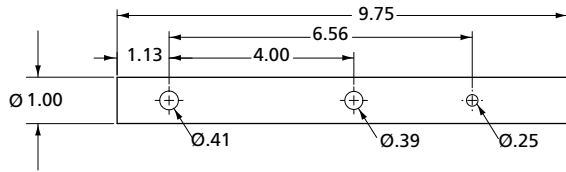
Mark V & Mark V Heavy Duty



PART NO.	WEIGHT (lbs)
XA-V-06625-F	3.37

Shift Shafts - Right Hand Conventional

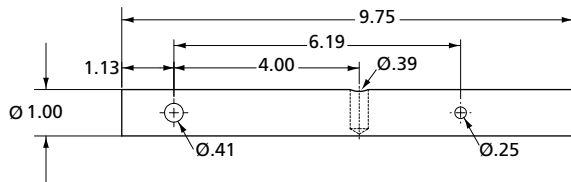
51000 (LG4),
50000 (LG5)



PART NO.	WEIGHT (lbs)
LG0371-01	2.08



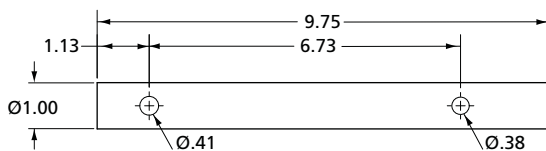
51000 NoLube™ (LG4),
50000 NoLube™ (LG5)



PART NO.	WEIGHT (lbs)
LG0859-01	2.08



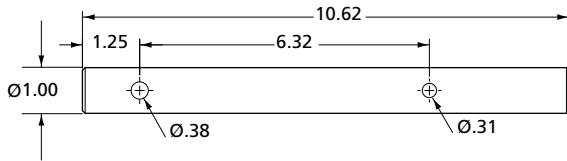
Atlas 55 & Atlas 55 NoLube™ (LG4)



PART NO.	WEIGHT (lbs)
LG3011-02	2.09

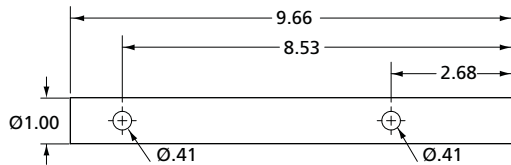


Shift Shafts - Right Hand Conventional CMS2 & CMS3



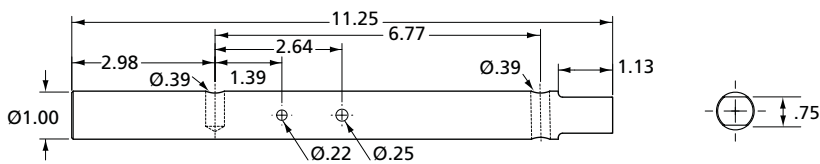
PART NO.	WEIGHT (lbs)
751198	2.31

Classic (LG2T)



PART NO.	WEIGHT (lbs)
LG-751175-02	2.09

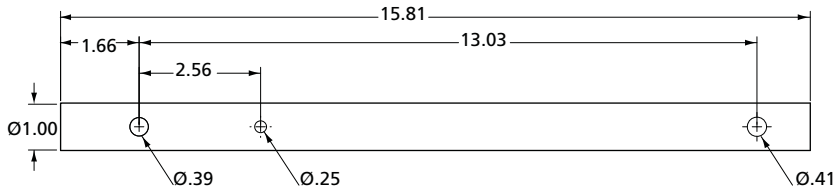
Mark V & Mark V Heavy Duty



PART NO.	WEIGHT (lbs)
XA-V-06625-C	2.39

Shift Shafts - Right Hand Reverse

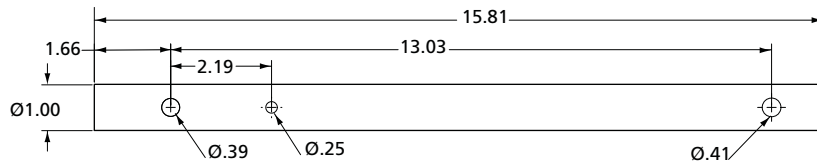
51000 (LG4),
50000 (LG5)



PART NO.	WEIGHT (lbs)
LG0437	3.42



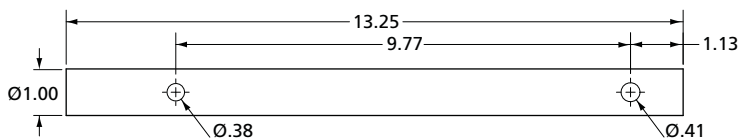
51000 NoLube™ (LG4),
50000 NoLube™ (LG5)



PART NO.	WEIGHT (lbs)
LG0858	3.42



Atlas 55 & Atlas 55 NoLube™ (LG4)

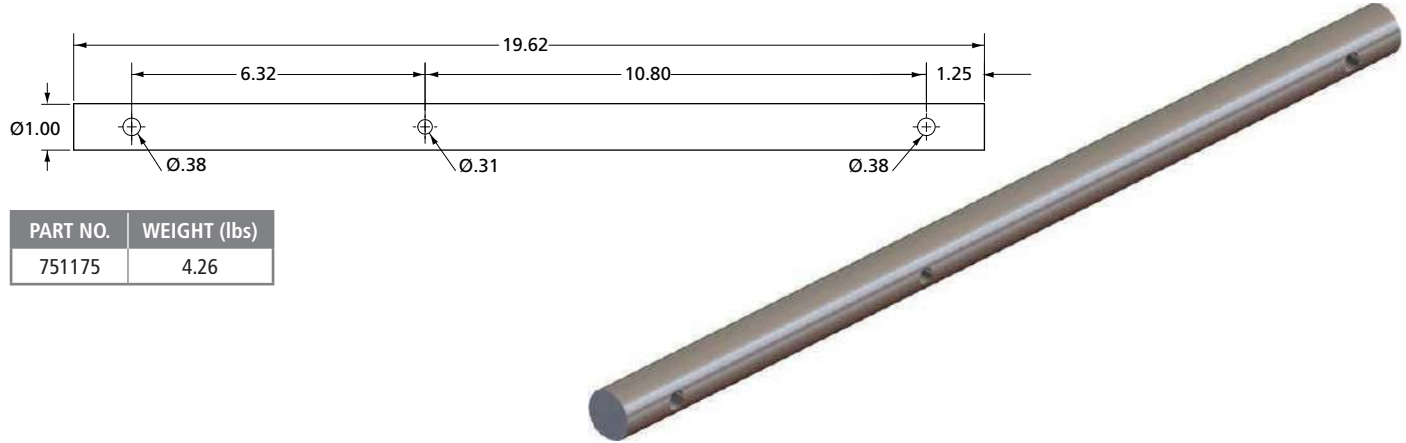


PART NO.	WEIGHT (lbs)
LG3011-03	2.87



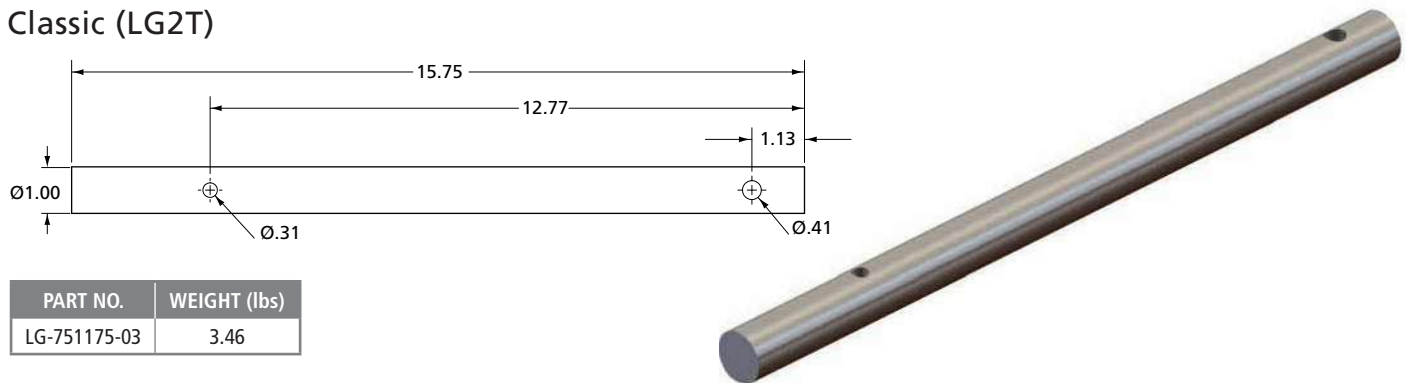
Shift Shafts - Right Hand Reverse

CMS2 & CMS3



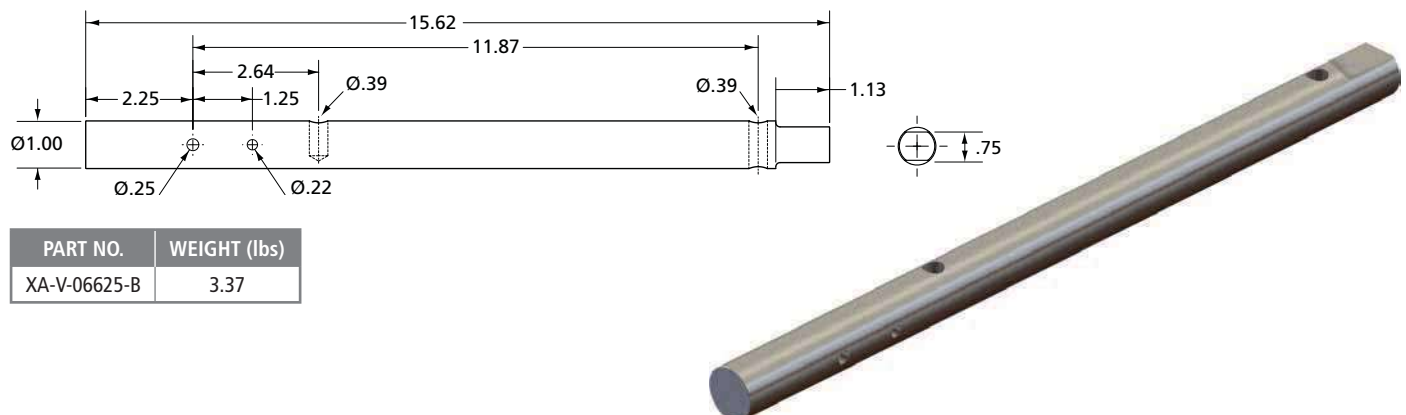
PART NO.	WEIGHT (lbs)
751175	4.26

Classic (LG2T)



PART NO.	WEIGHT (lbs)
LG-751175-03	3.46

Mark V & Mark V Heavy Duty

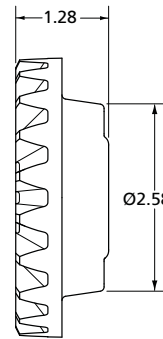
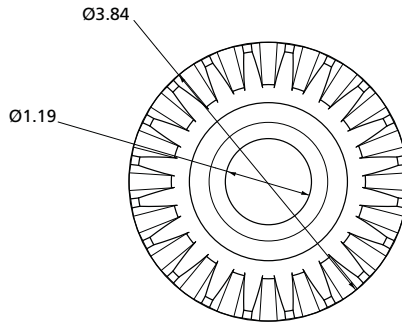


PART NO.	WEIGHT (lbs)
XA-V-06625-B	3.37

Bevel Gears

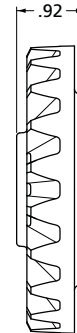
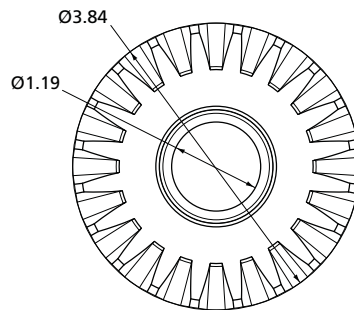
51000 & 51000 NoLube™ (LG4),
 50000 & 50000 NoLube™ (LG5),
 Fast Gear & Fast Gear NoLube (FG4),
FOR MODELS BEFORE SEPTEMBER 2010
 4700 & 4701 Series (LG47)

PART NO.	WEIGHT (lbs)
XA-LG0570-01	1.61



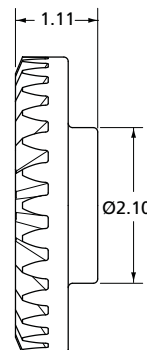
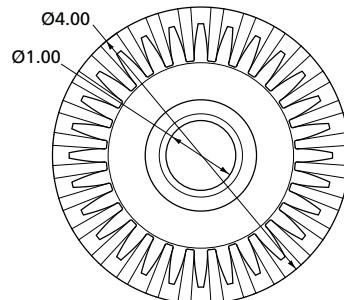
Atlas 55 & Atlas 55 NoLube™ (LG4),
 Classic (LG2T),
FOR MODELS AFTER SEPTEMBER 2010
 4700 & 4701 Series (LG47)

PART NO.	WEIGHT (lbs)
LG2884	1.53



CMS2

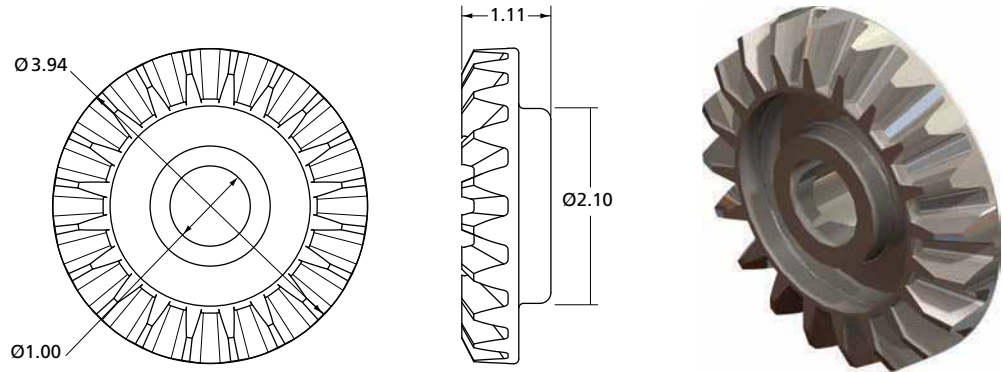
PART NO.	WEIGHT (lbs)
730590	1.94



Bevel Gears

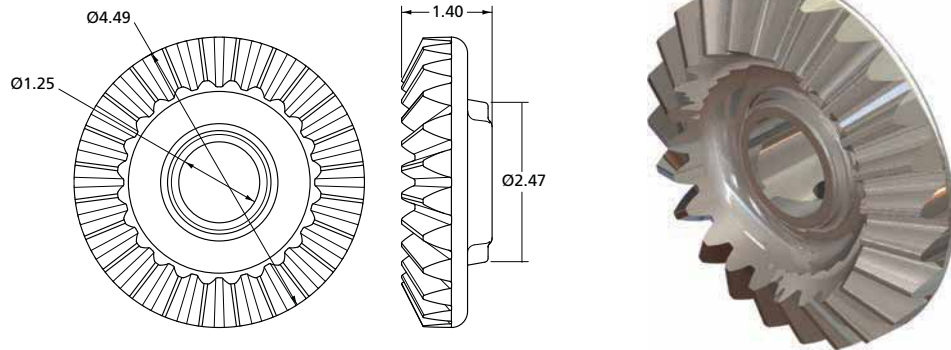
CMS3

PART NO.	WEIGHT (lbs)
130004	1.98



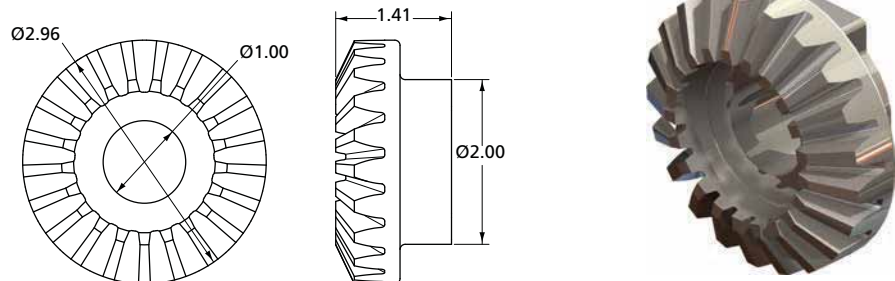
Mark V & Mark V Heavy Duty, JS2000

PART NO.	WEIGHT (lbs)
XA-V-06601	2.52



Dual Pin Drop Leg (LGD700), 48000 Series (LG87), 49000 Series (LG97)

PART NO.	WEIGHT (lbs)
XB-LG2027	1.16



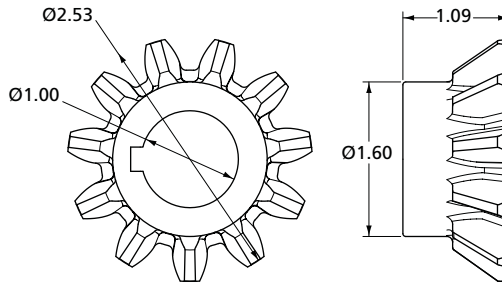
Pinion Gears

51000 & 51000 NoLube™ (LG4),
Fast Gear & FastGear NoLube™ (FG4),
Formula 150,

FOR MODELS BEFORE SEPTEMBER 2010

4700 & 4701 Series (LG47)

PART NO.	WEIGHT (lbs)
XB-LG1823-01	.46

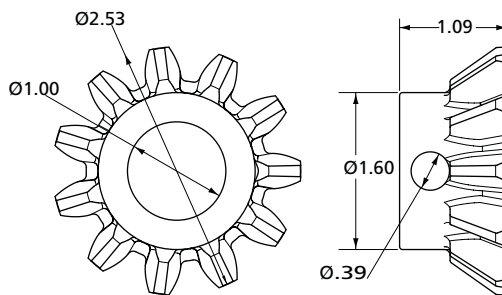


Atlas 55 & Atlas 55 NoLube™ (LG4),
Classic (LG2T),

FOR MODELS AFTER SEPTEMBER 2010

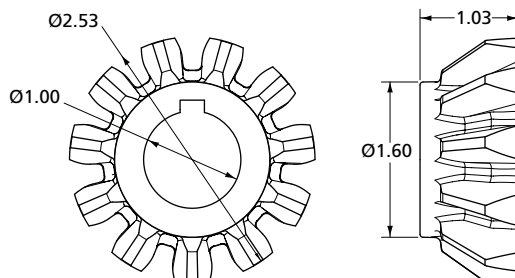
4700 & 4701 Series (LG47)

PART NO.	WEIGHT (lbs)
LG1823-02	.46



50000 & 50000 NoLube™ (LG5)

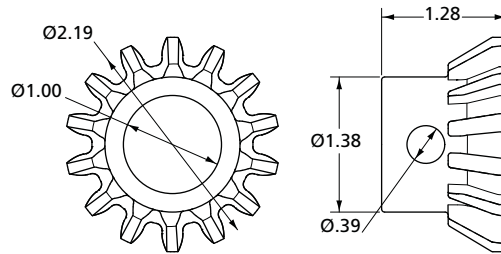
PART NO.	WEIGHT (lbs)
LG0531-02	.58



Pinion Gears

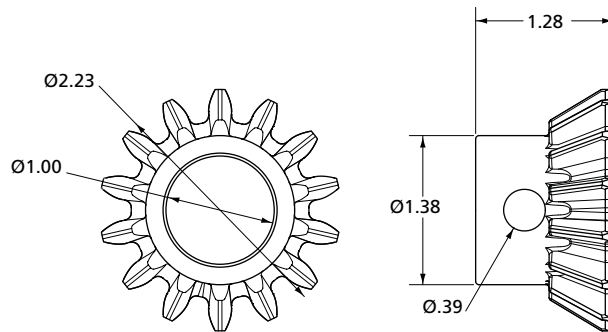
CMS2

PART NO.	WEIGHT (lbs)
730011	.35



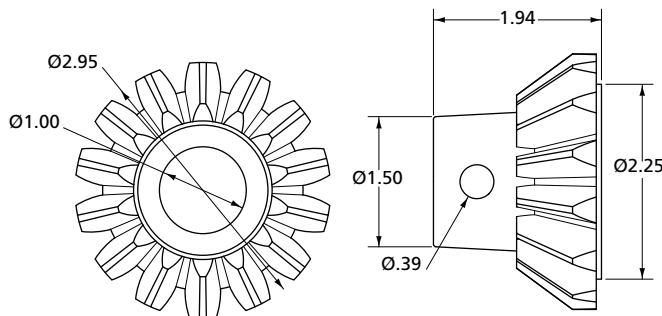
CMS3

PART NO.	WEIGHT (lbs)
130003	.39



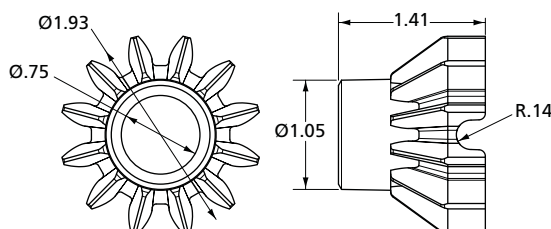
Mark V & Mark V Heavy Duty, JS2000 Series

PART NO.	WEIGHT (lbs)
XA-V-06600	1.22



Dual Pin Drop Leg (LGD700), 48000 Series (LG8700), 49000 Series (LG9700)

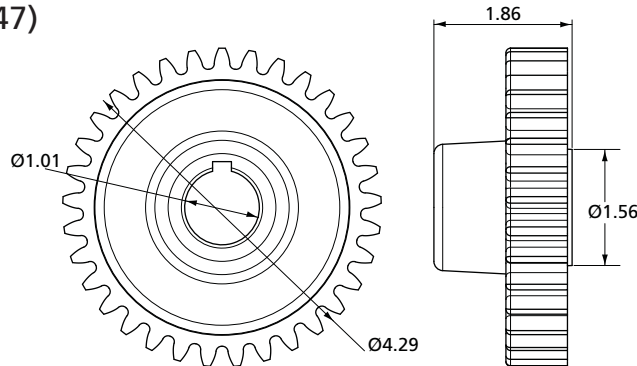
PART NO.	WEIGHT (lbs)
XB-LG2026	.36



Output Gears

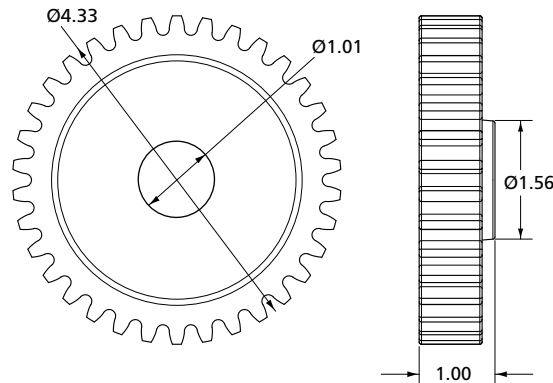
51000 & 51000 NoLube™ (LG4),
 50000 & 50000 NoLube™ (LG5),
 FOR MODELS BEFORE SEPTEMBER 2010
 4700 & 4701 Series (LG47)

PART NO.	WEIGHT (lbs)
LG0543-01	1.79



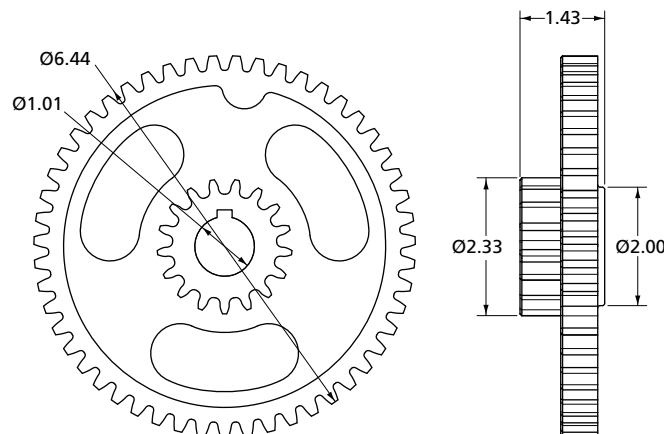
Atlas 55 & Atlas 55 NoLube™ (LG4),
 FOR MODELS AFTER SEPTEMBER 2010
 4700 & 4701 Series (LG47)

PART NO.	WEIGHT (lbs)
LG2980	1.78



Fast Gear & Fast Gear NoLube™ (FG4)

PART NO.	WEIGHT (lbs)
LG0936-51	3.50

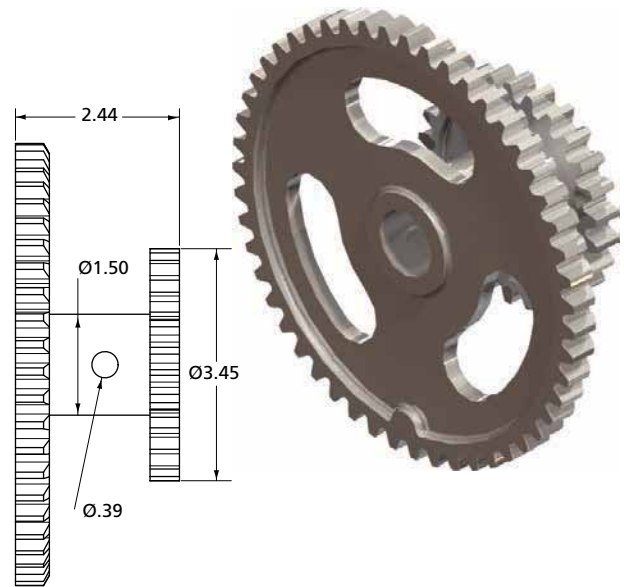
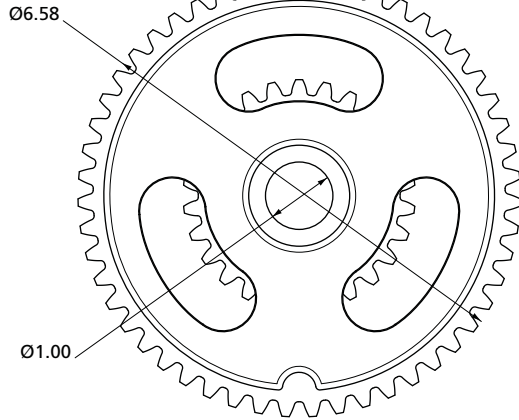


Replacement Gears

Output Gears

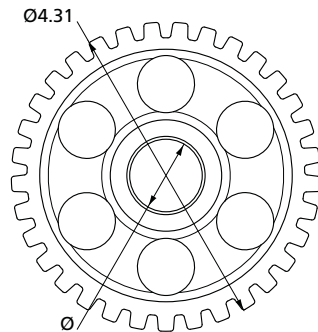
CMS2,
Classic (LG2T)

PART NO.	WEIGHT (lbs)
750009	2.89



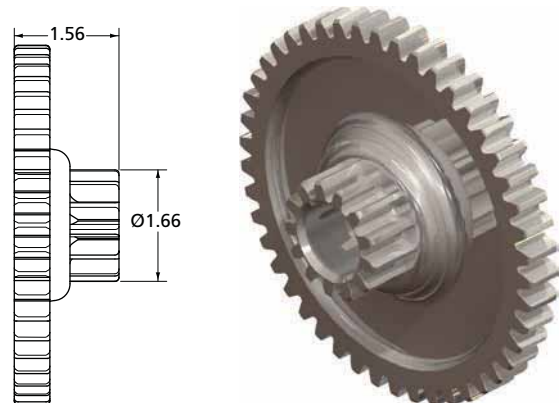
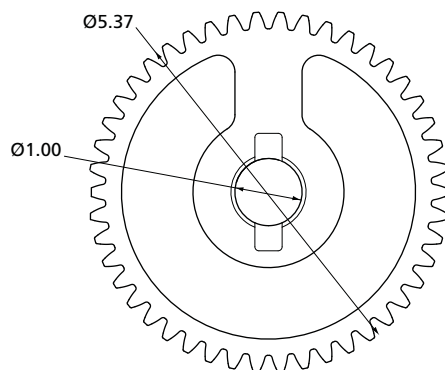
CMS3

PART NO.	WEIGHT (lbs)
130002	1.76



Mark V & Mark V Heavy Duty

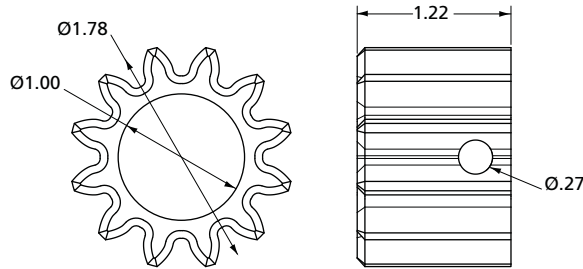
PART NO.	WEIGHT (lbs)
XA-V-06603	.30



Input Gears Low

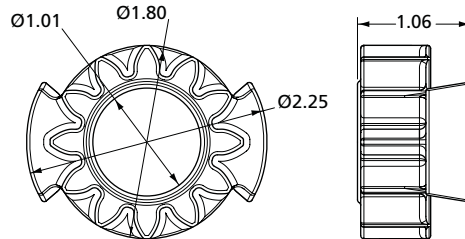
51000 NoLube™ (LG4),
50000 NoLube™ (LG5)

PART NO.	WEIGHT (lbs)
XB-LG0857-01	.37



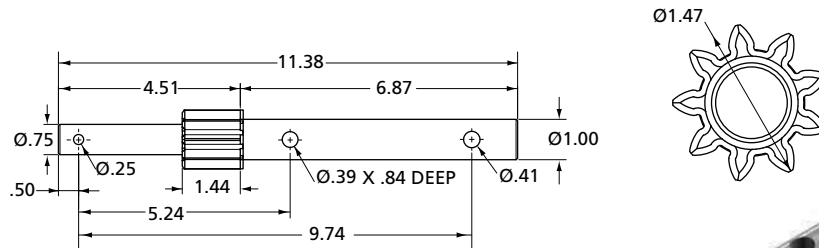
Atlas 55 & Atlas 55 NoLube™ (LG4),
FOR MODELS AFTER SEPTEMBER 2010
4700 & 4701 Series (LG47)

PART NO.	WEIGHT (lbs)
LG2969	.26



Fast Gear & Fast Gear NoLube™ (FG4) -
Universal, I-Beam, & Conventional Mount

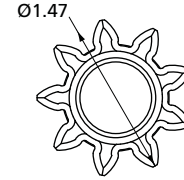
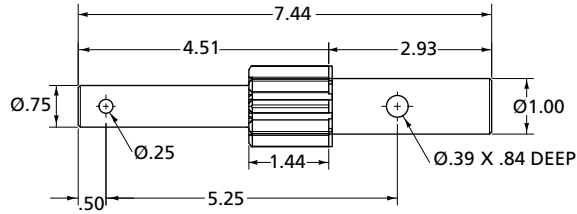
PART NO.	WEIGHT (lbs)
LG2463-01	2.06



Input Gears Low

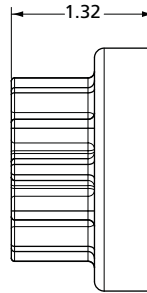
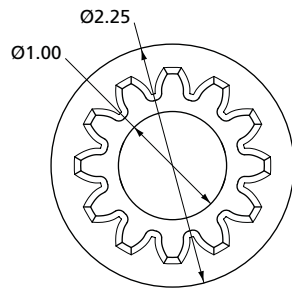
Fast Gear & Fast Gear NoLube™ (FG4) - Reverse Mount

PART NO.	WEIGHT (lbs)
LG2464-01	1.31



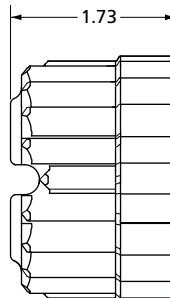
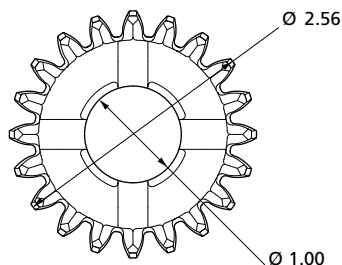
CMS2 & CMS3, Classic (LG2T)

PART NO.	WEIGHT (lbs)
751173	.49



Mark V & Mark V Heavy Duty

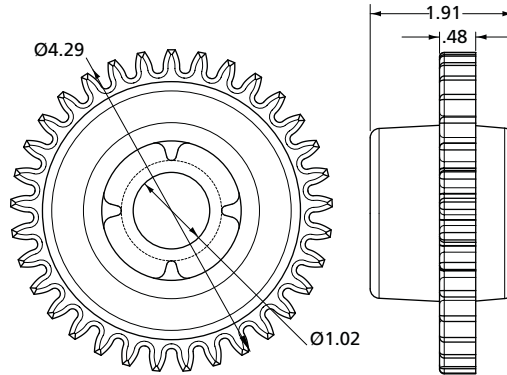
PART NO.	WEIGHT (lbs)
XA-V-06604-1	1.24



Input Gears High

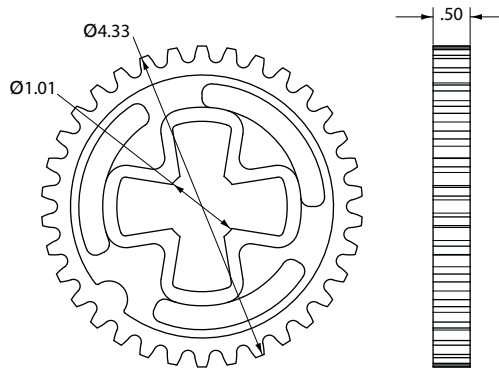
51000 NoLube™ (LG4),
50000 NoLube™ (LG5)

PART NO.	WEIGHT (lbs)
XD-LG0856	1.83



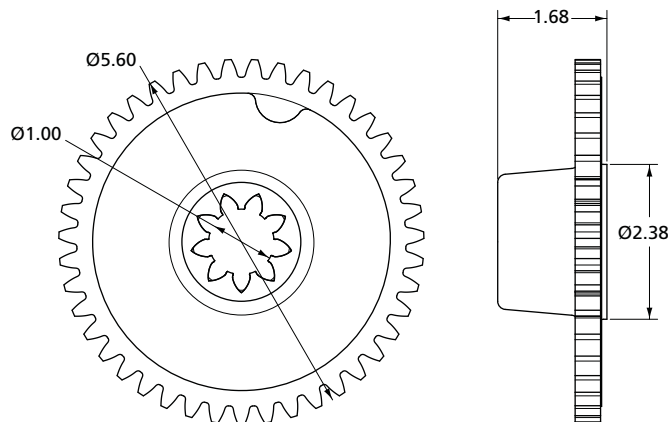
Atlas 55 & Atlas 55 NoLube™ (LG4),
FOR MODELS AFTER SEPTEMBER 2010
4700 & 4701 Series (LG47)

PART NO.	WEIGHT (lbs)
LG2968	.94



Fast Gear & Fast Gear NoLube™ (FG4)

PART NO.	WEIGHT (lbs)
LG2465-01	2.36

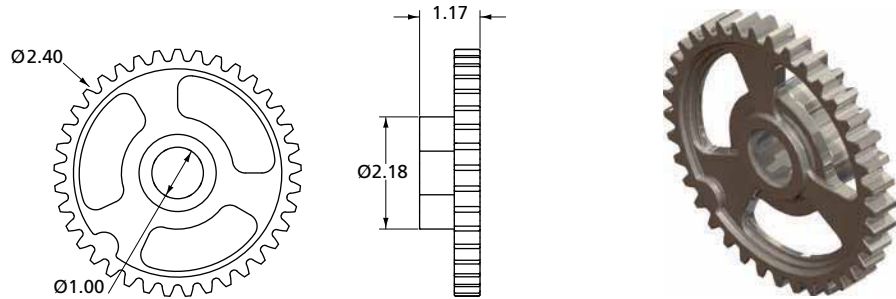


Replacement Gears

Input Gears High

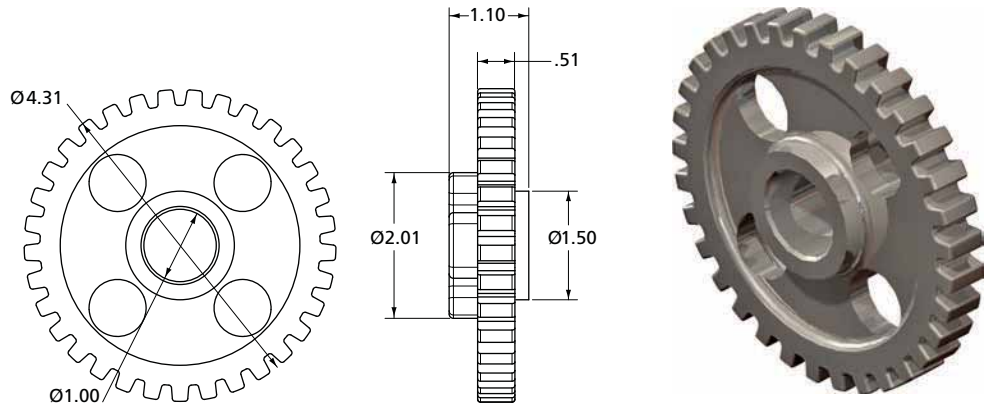
CMS2,
Classic (LG2T)

PART NO.	WEIGHT (lbs)
751174	1.29



CMS3

PART NO.	WEIGHT (lbs)
130000	1.52

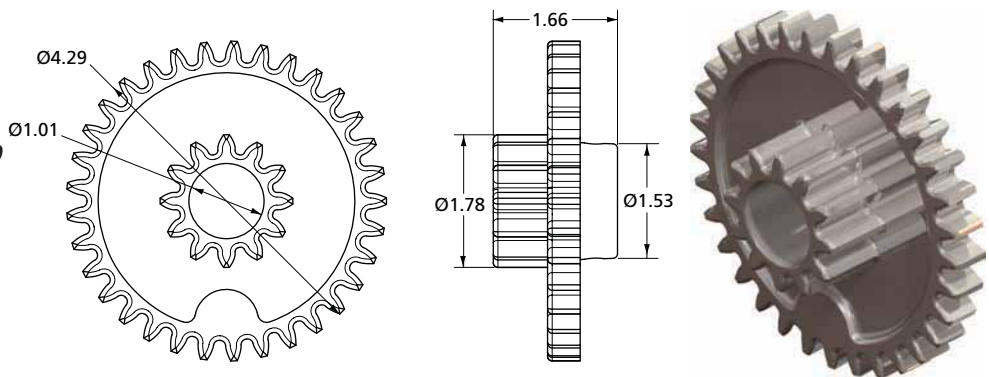


Input Gears High & Low

51000 (LG4),
50000 (LG5)

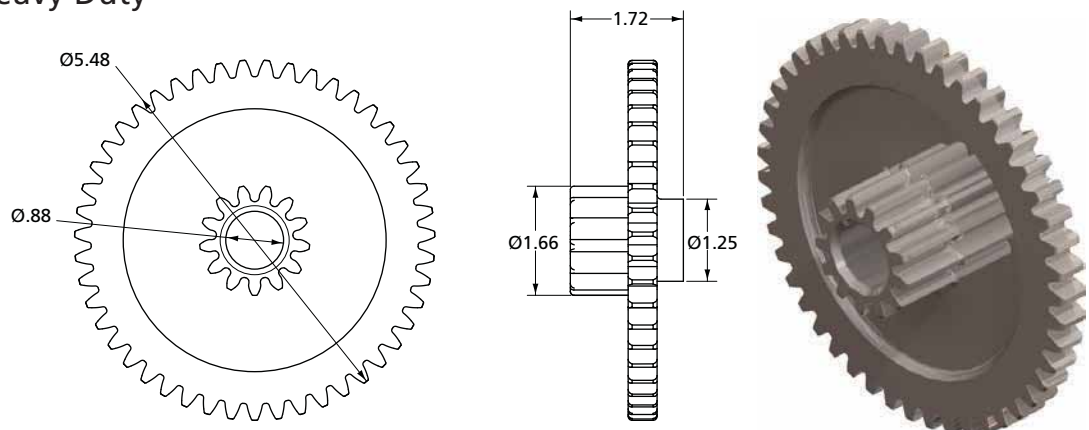
FOR MODELS BEFORE SEPTEMBER 2010
4700 & 4701 Series (LG47)

PART NO.	WEIGHT (lbs)
LG0541-01	1.50



Mark V & Mark V Heavy Duty

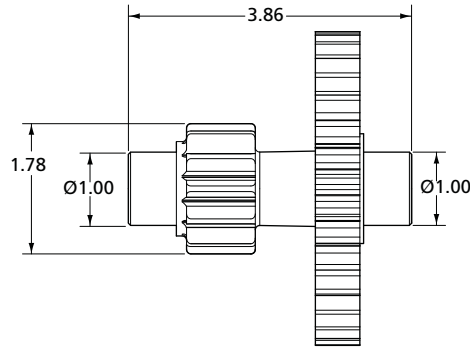
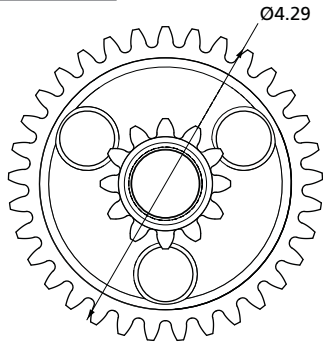
PART NO.	WEIGHT (lbs)
XA-V-06606	.28



Idler Gears

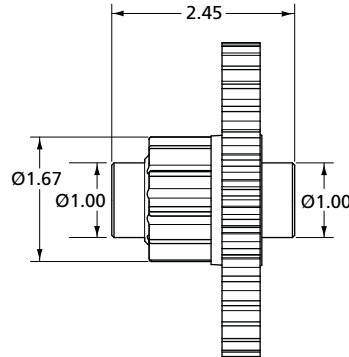
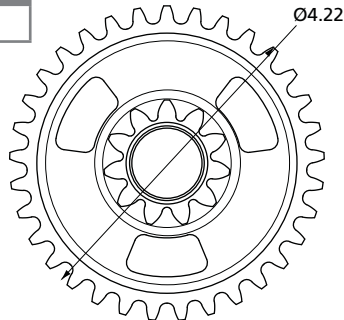
51000 & 51000 NoLube™ (LG4),
 50000 & 50000 NoLube™ (LG5),
 FOR MODELS BEFORE SEPTEMBER 2010
 4700 & 4701 Series (LG47)

PART NO.	WEIGHT (lbs)
XB-LG0542-01	2.40



Atlas 55 & Atlas 55 NoLube™ (LG4),
 FOR MODELS AFTER SEPTEMBER 2010
 4700 & 4701 Series (LG47)

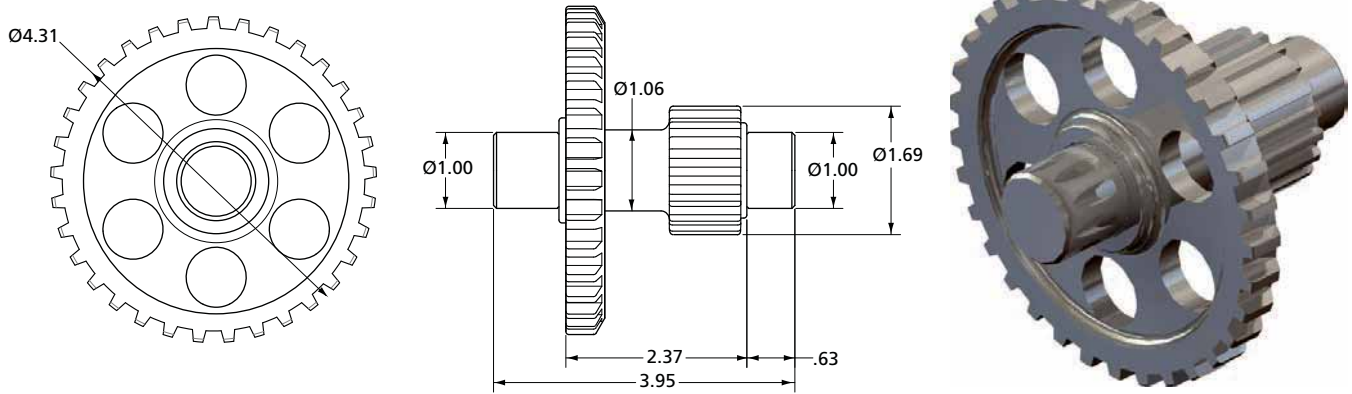
PART NO.	WEIGHT (lbs)
LG2975	1.95



Idler Gears

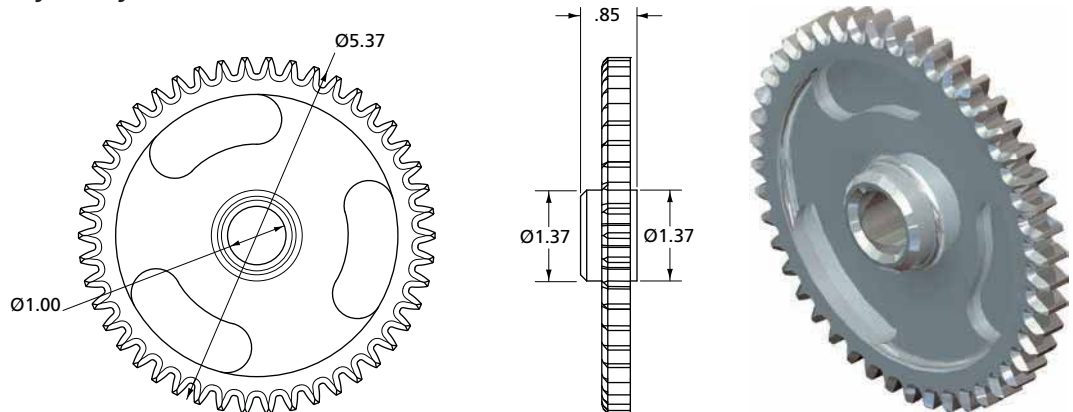
CMS3

PART NO.	WEIGHT (lbs)
130001	2.28



Mark V & Mark V Heavy Duty

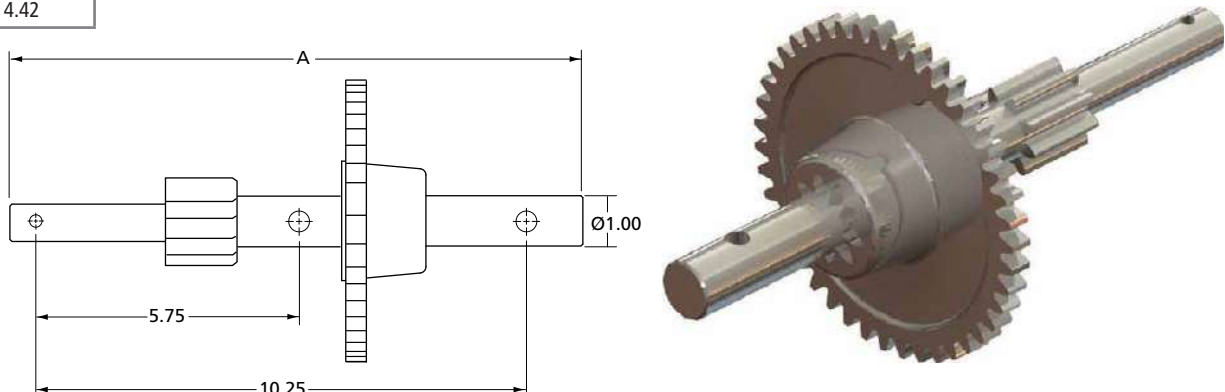
PART NO.	WEIGHT (lbs)
XA-V-06602	1.72



Input Gear Assembly Replacement

Fast Gear (FG4) Right Hand Old Style -
Replaces LG0910, LG1928

PART NO.	WEIGHT (lbs)
RK-10980	4.42



HOLLAND (AND FORMER NEWAY) TRAILER AIR SUSPENSION PARTS REFERENCE GUIDE



TABLE OF CONTENTS

Current Holland Models

CB400/4000 & CBX40	3-2
NS400/450	3-8
NS190	3-16
AirLite2	3-18
CBX23/CBX25 & CB2300	3-20
RL Series (RL-228, RL-230, RL-250, RL-300).....	3-26
RL Suspension Service Repair Kits (SRK)	3-46
RLU Series (RLU-228, RLU-250, RLU-300)	3-52
RLU Suspension Service Repair Kits (SRK)	3-66

Late Model Neway Suspensions

AR-120 Series	3-66
AR-250 Series	3-74
AR-41/AR-45 Series	3-76
AR-50 Series	3-78
AR-70 Series	3-80
AR-75 Series	3-84
AR-80 Series	3-88
AR-90 Series	3-92
AR-92 Series	3-96

AR-93 Series	3-98
AR-95 Series	3-100
AR-955 Series	3-104
ART Series (See Truck Air Suspension Parts Guide XL-PS10457PM)...	5-28
ARU-92 Series	3-112
ARU-93 Series (RLU-228-3)	3-54
RL-196 Series	3-114
AL-41	3-119
AL-45 Series	3-120
AL-75 Series	3-121
Frame Brackets (Selected Models)	3-122
Equalizing Beam Identification (Selected Models)	3-124

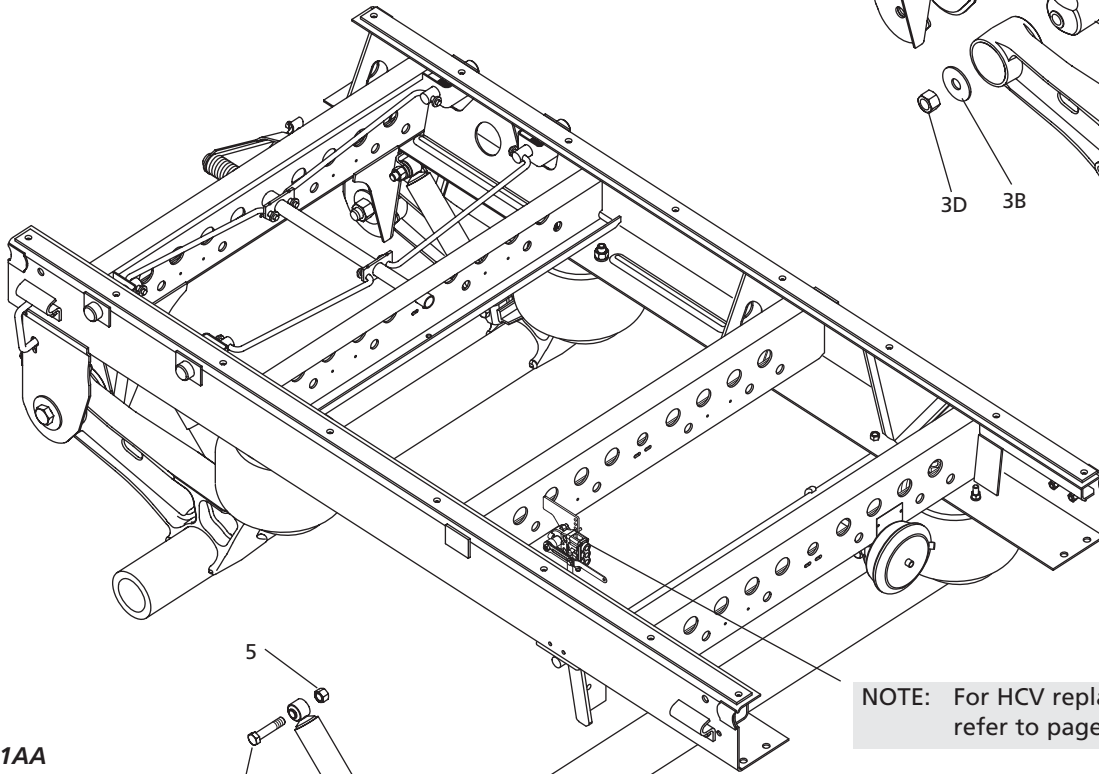
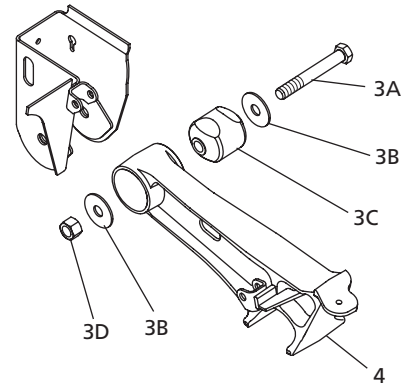
For parts, service, and warranty questions,
call 888.396.6501 or visit www.safholland.us

CB400/4000 & CBX40 Exploded View



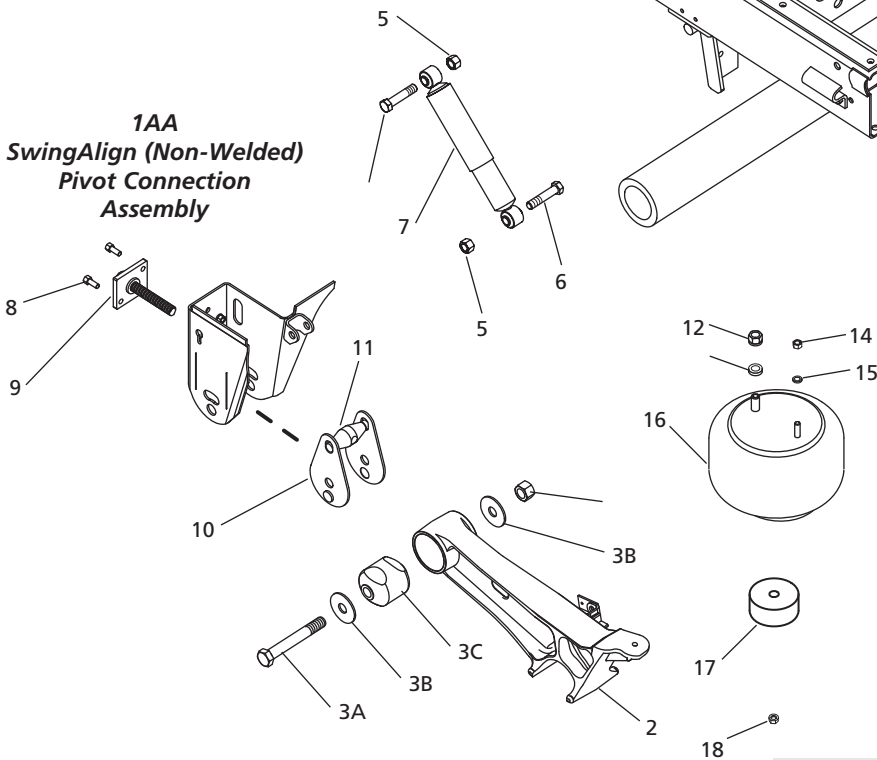
SAF-HOLLAND Group

1A Welded Alignment Pivot Connection Assembly



NOTE: For HCV replacement, refer to page 9.

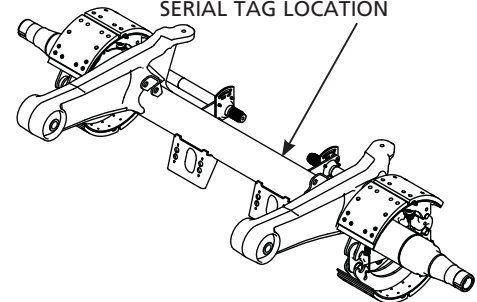
1AA SwingAlign (Non-Welded) Pivot Connection Assembly



NOTE: Bushing connection kits and frame bracket replacement kits should be purchased as SRKs listed on pages 5 and 6.

NOTE: For air release pin puller, contact Customer Service Department at 1-888-396-6501.

TYPICAL AXLE MANUFACTURER'S SERIAL TAG LOCATION



NOTE: For axle assembly replacement, contact SAF-HOLLAND, USA, Inc. Customer Service: 888-396-6501.

NOTE: For axle end/brake components replacement contact the axle manufacturer.

Suspension Components

ITEM NO.	DESCRIPTION	CB400, CBX40, CB400-15.5	CB400, CBX40, CB400-16.0	CB400, CBX40, CB400-16.5	CB400, CBX40, CB400-17.0	CB400, CBX40, CB400-18.0	QTY.
1A	Frame Bracket (Welded)	481 00 396	481 00 396	481 00 396	481 00 396	481 00 396	2
1AA	Frame Bracket (SwingAlign)	481 00 395	481 00 395	481 00 395	481 00 395	481 00 395	2
2	Equalizing Beam LH (roadside - bushed beam)	481 00 449	481 00 449	481 00 449	481 00 449	**	2
3A*	Pivot Bolt 1-1/8"-7 x 8.0" LG GR 8	932 01 070	932 01 070	932 01 070	932 01 070	932 01 070	4
3B*	Pivot Connection Washer	936 00 553	936 00 553	936 00 553	936 00 553	936 00 553	8
3C*	Bushing	481 00 394	481 00 394	481 00 394	481 00 394	481 00 394	2
3D*	Hex Lock Nut 1-1/8"-7	934 00 506	934 00 506	934 00 506	934 00 506	934 00 506	4
4	Equalizing Beam RH (curbside - bushed beam only)	481 00 450	481 00 450	481 00 450	481 00 450	**	2
5	Hex Lock Nut 3/4"-10	934 00 492	934 00 492	934 00 492	934 00 492	934 00 492	8
6	Hex Bolt 3/4"-10 x 3.50" GR 5	930 06 035	930 06 035	930 06 035	930 06 035	930 06 035	8
7	Shock Absorber	900 45 298	900 45 298	900 44 162	900 44 162	900 45 040	4
8	Hex Bolt 1/2"-13 x 1-3/4"	XB-HHC-001-33	XB-HHC-001-33	XB-HHC-001-33	XB-HHC-001-33	XB-HHC-001-33	4
9	Threaded Rod Assembly	905 48 007	905 48 007	905 48 007	905 48 007	905 48 007	2
10	Alignment Plate	905 31 339	905 31 339	905 31 339	905 31 339	905 31 339	2
11	SwingAlign Yoke	900 45 491	900 45 491	900 45 491	900 45 491	900 45 491	2
12	Hex Nut 3/4"-16	934 00 149	934 00 149	934 00 149	934 00 149	934 00 149	4
13	Washer 3/4"	936 00 077	936 00 077	936 00 077	936 00 077	936 00 077	4
14	Hex Nut 1/2"-13	934 00 136	934 00 136	934 00 136	934 00 136	934 00 136	8
15	Washer 1/2"	936 00 072	936 00 072	936 00 072	936 00 072	936 00 072	8
16	Air Spring Replacement Kits	481 00 492	481 00 492	481 00 493	481 00 494	481 00 495	4
17	Spacer	***	***	***	***		4
18	Flange Hex Nut 1/2"-13 GR B	934 00 623	934 00 623	934 00 623	934 00 623	934 00 623	4

* Replacement components should be purchased in bushing connection SRK kits listed on pages 3-6 and 3-7.
 ** For CB400 18" ride height only: roadside beam part number is 905 48 096, curbside beam 905 48 097.
 *** Spacers are available in kits only, not individually.

CB400/4000 Air Control Parts

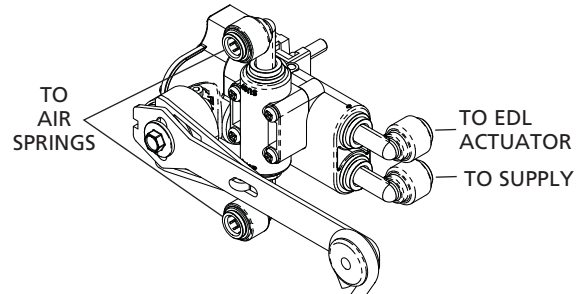
Height Control Valve Part Number Table

DESCRIPTION*	HOLLAND PART NO.
HCV with integral dump - low flow	905 60 122
HCV without integral dump	905 60 123
HCV with integral dump - high flow	905 60 121

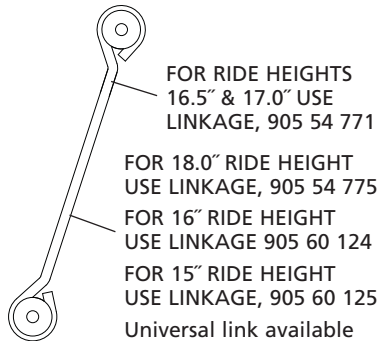
*All valves are set up for 3/8" fittings.

NOTE: Do not use the high flow valve when the trailer is equipped with PosiLok™ System.

Height Control Valve Port Assignments



Height Control Valve Link



NOTE: Link includes attaching hardware.
NOTE: Link is not included in air controls kit and must be ordered separately, if needed.

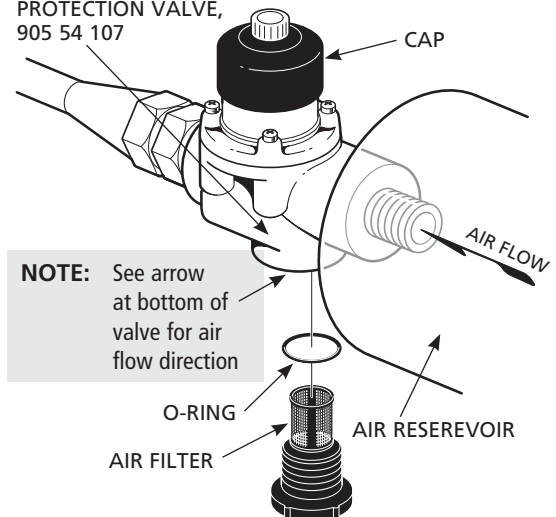
New Pressure Protection Valve

PRESSURE PROTECTION VALVE, 905 60 109



Optional Pressure Protection Valve

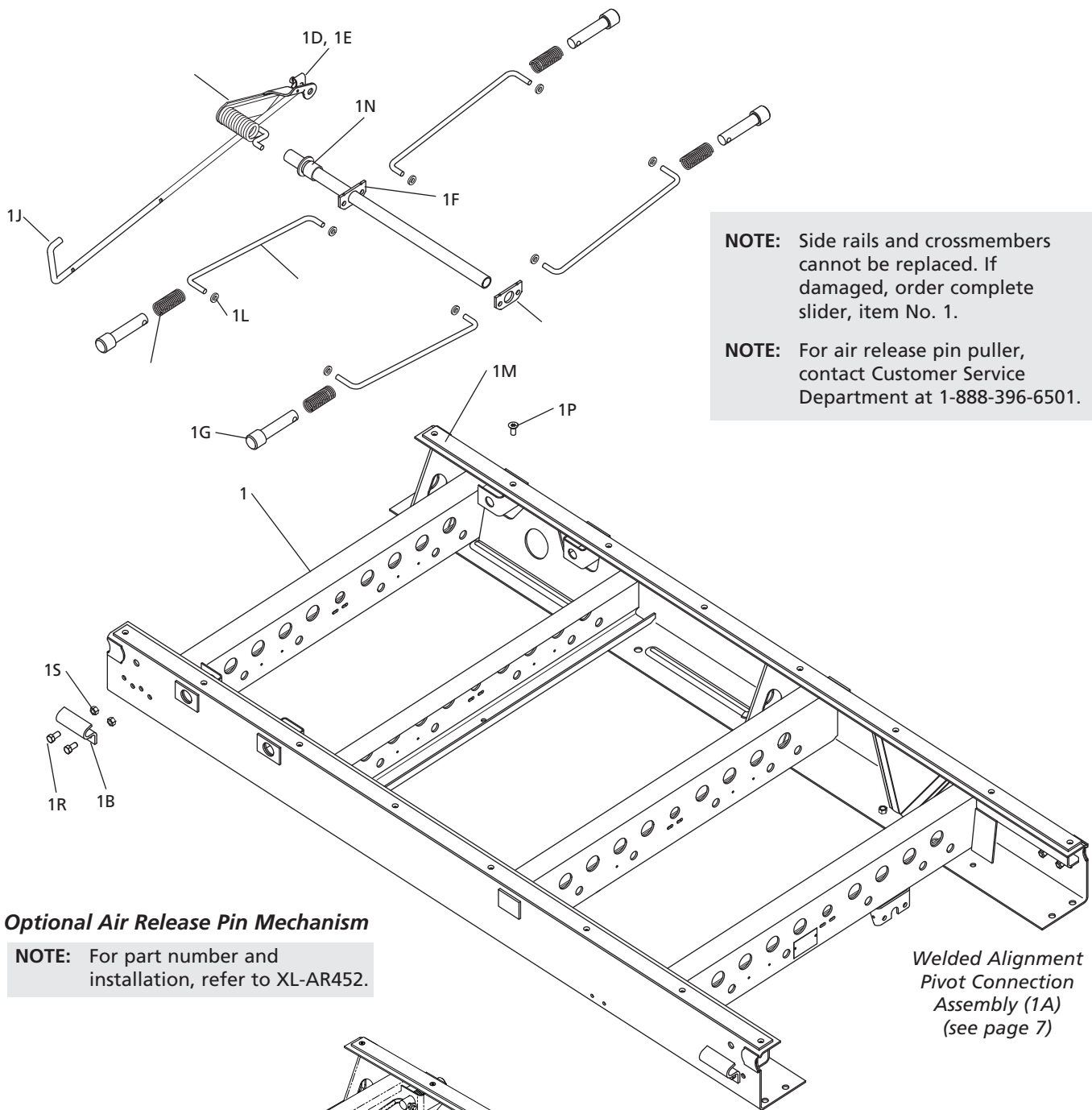
OPTIONAL PRESSURE PROTECTION VALVE, 905 54 107



CB400/4000 & CBX40 Slider Box Exploded View



SAF-HOLLAND Group



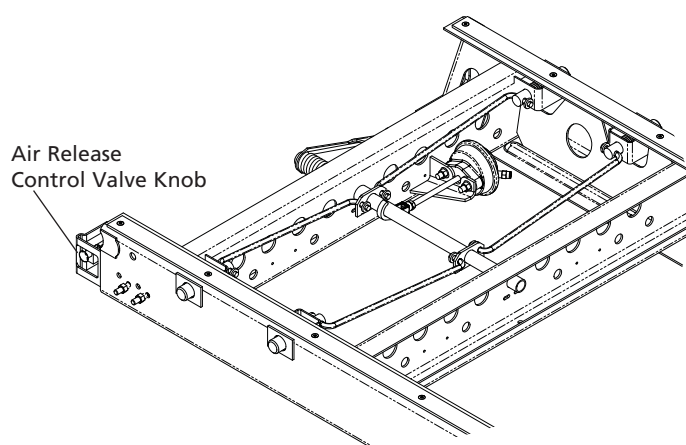
NOTE: Side rails and crossmembers cannot be replaced. If damaged, order complete slider, item No. 1.

NOTE: For air release pin puller, contact Customer Service Department at 1-888-396-6501.

Optional Air Release Pin Mechanism

NOTE: For part number and installation, refer to XL-AR452.

*Welded Alignment
Pivot Connection
Assembly (1A)
(see page 7)*



Air Release Control Valve Knob

*SwingAlign (Non-Welded)
Pivot Connection
Assembly (1AA)
(see page 7)*



CB400/4000 & CBX40 Slider Box Parts List

SAF-HOLLAND Group

Slider Components

ITEM NO.	DESCRIPTION	96" SLIDER BOX RAIL STYLE	CB400, CBX40, CB400-15.5	CB400, CBX40, CB400-16.0	CB400, CBX40, CB400-16.5	CB400, CBX40, CB400-17.0	QTY.
1	Slider Assy. w/Qwik Release w/2 SwingAlign & 2 Fixed Frame Brkts. *(Items 1 includes items 1A - 1S) and Suspension	CL**	42" - CL211Q11-48" - CL111Q11-	42" - CL221Q11-48" - CL121Q11-	42" - CL231Q11-48" - CL131Q11-	42" - CL241Q11-48" - CL141Q11-	1
		CH**	42" - CH211Q11-48" - CH111Q11-	42" - CH221Q11-48" - CH121Q11-	42" - CH231Q11-48" - CH131Q11-	42" - CH241Q11-48" - CH141Q11-	
		CT**	42" - CT211Q11-48" - CT111Q11-	42" - CT221Q11-48" - CT121Q11-	42" - CT231Q11-48" - CT131Q11-	42" - CT241Q11-48" - CT141Q11-	
		CU**	42" - CU211Q11-48" - CU111Q11-	42" - CU221Q11-48" - CU121Q11-	42" - CU231Q11-48" - CU131Q11-	42" - CU241Q11-48" - CU141Q11-	
1A	Frame Bracket (Welded)	Roadside	N/A	N/A	N/A	N/A	N/A
		Curbside	See Frame Bracket Replacement Kits - page 3-7				N/A
1AA	Frame Bracket (SwingAlign)	Roadside	See Frame Bracket Replacement Kits - page 3-6				N/A
1B	Hold Down Bracket		42" - SLO893 48" - SLO893	42" - SLO893 48" - SLO893	42" - SLO893 48" - SLO893	42" - SLO893 48" - SLO893	4
1C	Torsion Cam		42" - SLOA1277-01 48" - SLOA1277-01	42" - SLOA1277-01 48" - SLOA1277-01	42" - SLOA1277-01 48" - SLOA1277-01	42" - SLOA1277-01 48" - SLOA1277-01	1
1D	Pull Handle Clip		42" - SLOA1273 48" - SLOA1273	42" - SLOA1273 48" - SLOA1273	42" - SLOA1273 48" - SLOA1273	42" - SLOA1273 48" - SLOA1273	1
1E	Cotter Pin 3/16" x 1-1/2"		42" - XB-CTP-014-59 48" - XB-CTP-014-59	42" - XB-CTP-014-59 48" - XB-CTP-014-59	42" - XB-CTP-014-59 48" - XB-CTP-014-59	42" - XB-CTP-014-59 48" - XB-CTP-014-59	1
1F	Cam Plate		42" - SLOA1274 48" - SLOA1274	42" - SLOA1274 48" - SLOA1274	42" - SLOA1274 48" - SLOA1274	42" - SLOA1274 48" - SLOA1274	2
1G	Lock Pin Hutch Style 1-5/8" Dia.		42" - SLOA1261 48" - SLOA1261	42" - SLOA1261 48" - SLOA1261	42" - SLOA1261 48" - SLOA1261	42" - SLOA1261 48" - SLOA1261	4
	Lock Pin 1-3/8" Dia. All Others		42" - SLOA1238 48" - SLOA1238	42" - SLOA1238 48" - SLOA1238	42" - SLOA1238 48" - SLOA1238	42" - SLOA1238 48" - SLOA1238	4
1H	Compression Spring		42" - XB-SPG-020-35 48" - XB-SPG-020-35	42" - XB-SPG-020-35 48" - XB-SPG-020-35	42" - XB-SPG-020-35 48" - XB-SPG-020-35	42" - XB-SPG-020-35 48" - XB-SPG-020-35	4
1J	Pull Handle		42" - SLOA1445-02 48" - SLOA1445-01	42" - SLOA1445-02 48" - SLOA1445-01	42" - SLOA1445-02 48" - SLOA1445-01	42" - SLOA1445-02 48" - SLOA1445-01	1
1K	Pin Pull Rod		42" - SLOA1239-01 48" - SLOA1239-02	42" - SLOA1239-01 48" - SLOA1239-02	42" - SLOA1239-01 48" - SLOA1239-02	42" - SLOA1239-01 48" - SLOA1239-02	4
1L	Washer 1/2" (Pin Pull Rod)		42" - XB-PW-016-85 48" - XB-PW-016-85	42" - XB-PW-016-85 48" - XB-PW-016-85	42" - XB-PW-016-85 48" - XB-PW-016-85	42" - XB-PW-016-85 48" - XB-PW-016-85	8
1M	Slider Pad 96" (Long)		42" - XB-SLOA1054 48" - XB-SLOA1054	42" - XB-SLOA1054 48" - XB-SLOA1054	42" - XB-SLOA1054 48" - XB-SLOA1054	42" - XB-SLOA1054 48" - XB-SLOA1054	2
1N	Spacer (Cam Shaft Stop)		42" - SLO523-07 48" - SLO523-07	42" - SLO523-07 48" - SLO523-07	42" - SLO523-07 48" - SLO523-07	42" - SLO523-07 48" - SLO523-07	1
1P	Self Tap Screw 5/16"-18 x 3/4"		42" - XB-STS-008-16 48" - XB-STS-008-16	42" - XB-STS-008-16 48" - XB-STS-008-16	42" - XB-STS-008-16 48" - XB-STS-008-16	42" - XB-STS-008-16 48" - XB-STS-008-16	16
1R	Hold Down Bracket Bolt 1/2"-13 x 1 1/4"		42" - XB-HHC-001-33 48" - XB-HHC-001-33	42" - XB-HHC-001-33 48" - XB-HHC-001-33	42" - XB-HHC-001-33 48" - XB-HHC-001-33	42" - XB-HHC-001-33 48" - XB-HHC-001-33	8
1S	Hold Down Bracket Lock Nut 1/2"-13		42" - XB-SLN-012-42 48" - XB-SLN-012-42	42" - XB-SLN-012-42 48" - XB-SLN-012-42	42" - XB-SLN-012-42 48" - XB-SLN-012-42	42" - XB-SLN-012-42 48" - XB-SLN-012-42	8

*SwingAlign non-welded style "adjustable" frame bracket on roadside; welded style "fixed" frame bracket on curbside.

** CL = Holland slider box rail style; CH = Hutch slider box rail style;
CT = TTMA slider box rail style; CU = Utility slider box rail style.

NOTE: If your trailer is equipped with the "Air Release Pin Mechanism," refer to XL-AR452 for parts list and service information.

CB400/4000 & CBX40 Service Repair Kits (SRKs)

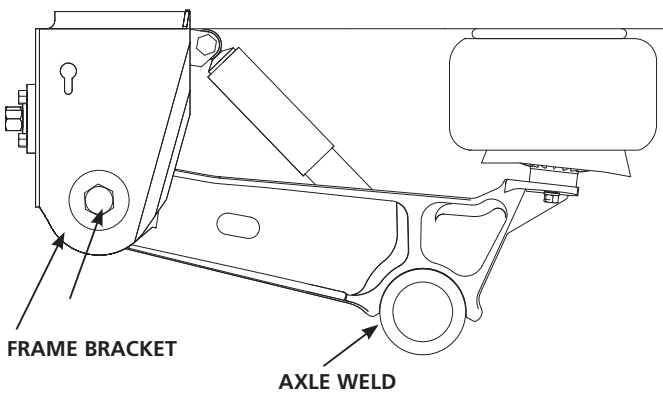


SAF-HOLLAND Group

The CB400/4000 suspension provides Service Repair Kits (SRK's) for the replacement of pivot connections and frame brackets (**Figure 8**).

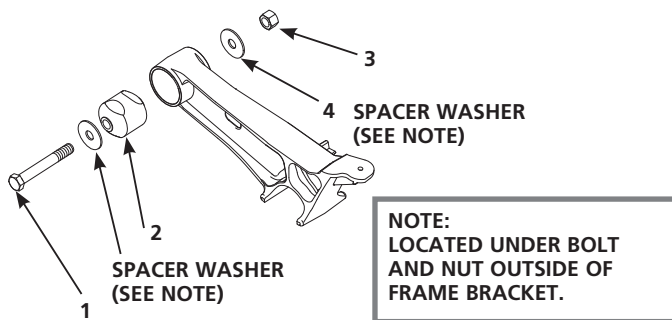
NOTE: The Holland Bushing Service tool, part no. 505 44 015, is available to ease removal and replacement of bushings. Contact your Holland distributor or refer to this Parts List for details.

FIGURE 8
Pivot Connection and Axle Weld



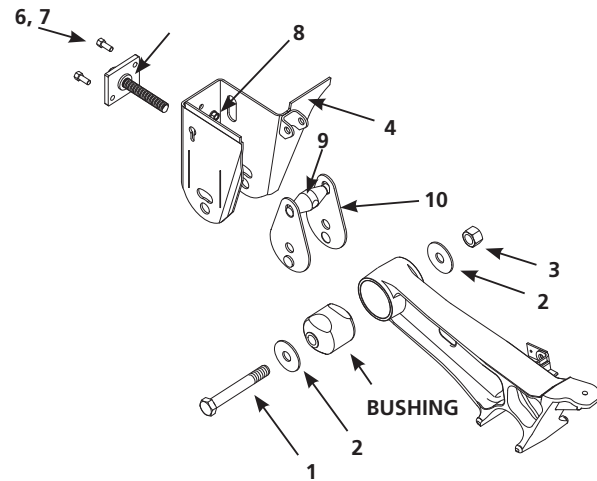
Pivot Connection Replacement Kit
SRK-530 **481 00 394**

ITEM	PART NO.	DESCRIPTION	QTY.
1	932 01 070	Rod Bolt 1 1/8" - 7 x 8"	2
2	900 08 247	Rubber Bushing	2
3	934 00 506	Lock Nut 1 1/8" - 7	2
4	936 00 553	Washer	4



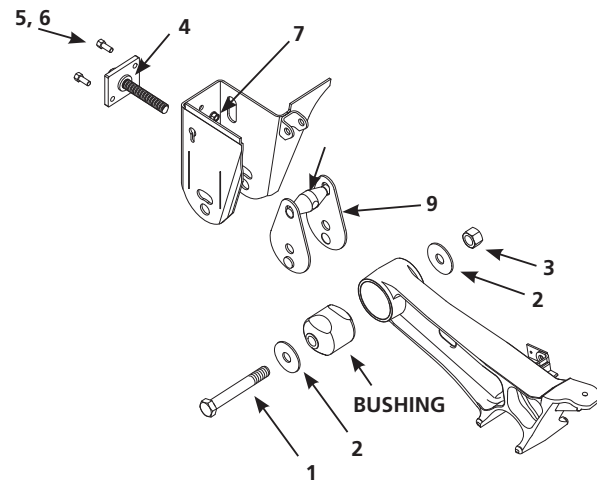
SwingAlign™ Frame Bracket Replacement Kit
SRK-531: **481 00 395**

ITEM	PART NO.	DESCRIPTION	QTY.
1	932 01 070	Rod Bolt 1 1/8" - 7 x 8"	2
2	936 00 553	Washer	4
3	934 00 506	Lock Nut 1 1/8" - 7	2
4	905 21 742	Frame Bracket, Roadside	1
5	905 48 007	Threaded Rod Assembly	1
6	XB-HHC-001-33	Bolt, Hex 1/2" - 13 x 1 3/4"	2
7	936 00 072	Washer, Lock 1/2"	2
8	934 00 136	Nut, Hex 1/2" - 13	2
9	900 45 491	SwingAlign™ Yoke	1
10	905 31 339	Alignment Plate	2



SwingAlign™ Replacement Kit
SRK-542: **481 00 406**

ITEM	PART NO.	DESCRIPTION	QTY.
1	932 01 070	Rod Bolt 1 1/8" - 7 x 8"	1
2	936 00 553	Washer	4
3	934 00 506	Lock Nut 1 1/8" - 7	1
4	905 48 007	Threaded Rod Assembly	1
5	XB-HHC-001-33	Bolt, Hex 1/2" - 13 x 1 3/4"	2
6	936 00 072	Washer, Lock 1/2"	2
7	934 00 136	Nut, Hex 1/2" - 13	2
8	900 45 491	SwingAlign™ Yoke	1
9	905 31 339	Alignment Plate	2



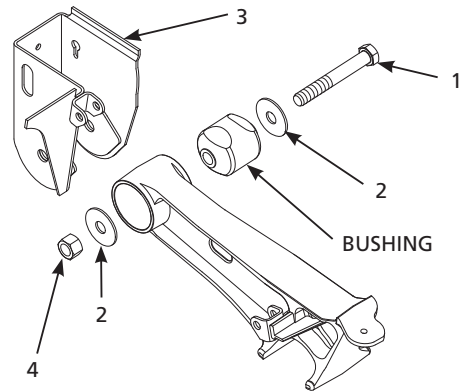
Fixed Frame Bracket Replacement Kit

SRK-532 481 00 396

ITEM	PART NO.	DESCRIPTION	QTY.
1	932 01 070	Rod Bolt 1 1/8" - 7 x 8"	2
2	936 00 553	Washer	4
3	905 21 743	Frame Bracket, Curbside	1
4	934 00 506	Lock Nut 1 1/8" - 7	2

NOTE:

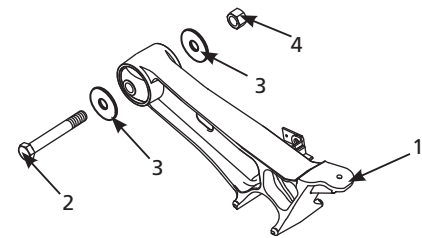
IF BOTH BEAMS AND AXLE ASSEMBLY ARE REQUIRED, CONTACT SAF-HOLLAND, USE, INC. CUSTOMER SERVICE (888)396-6501. REFER TO DRAWING 905 48 150_TAB.



Roadside Equalizing Beam Replacement Kit

SRK-585 481 00 449

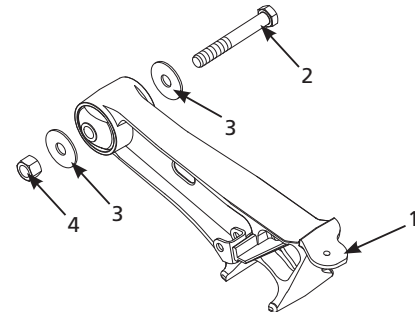
ITEM	PART NO.	DESCRIPTION	QTY.
1	905 48 008	Equalizing Beam, Roadside (LH)	1
2	932 01 070	Pivot Bolt 1 1/8" - 7 x 8" Gr 8	2
3	936 00 553	Washer	4
4	934 00 506	Hex Lock Nut 1 1/8" - 7 Gr C	2
5	XL-AR368	Literature Kit, Maintenance Manual	1
6	XL-AR369	Literature Kit, Parts List Manual	1



Curbside Equalizing Beam Replacement Kit

SRK-586 481 00 450

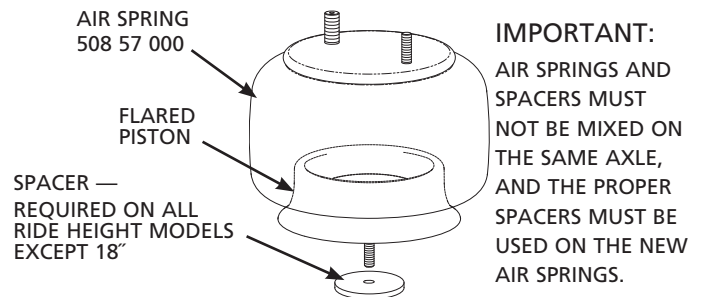
ITEM	PART NO.	DESCRIPTION	QTY.
1	905 48 009	Equalizing Beam, Curbside (RH)	1
2	932 01 070	Pivot Bolt 1 1/8" - 7 x 8" Gr 8	2
3	936 00 553	Washer	4
4	934 00 506	Hex Lock Nut 1 1/8" - 7 Gr C	2
5	XL-AR368	Literature Kit, Maintenance Manual	1
6	XL-AR369	Literature Kit, Parts List Manual	1



Air Spring Replacement Kit

RIDE HEIGHT	REPLACEMENT KIT PART NO.*
15.5"	481 00 492
16"	481 00 492
16.5"	481 00 493
17"	481 00 494
18"	481 00 495

* One kit needed per air spring.



Pivot Connection Service Repair Kit

SRK-607 481 00 471

ITEM	PART NO.	DESCRIPTION	QTY.
1	932 01 070	Pivot Bolt 1 1/8" - 7 x 8" Gr 8	2
2	934 00 506	Hex Lock Nut 1 1/8" - 7 Gr C	2
3	936 00 553	Washer	4

NOTE: A Service Repair Kit must be used with each axle and beam assembly.

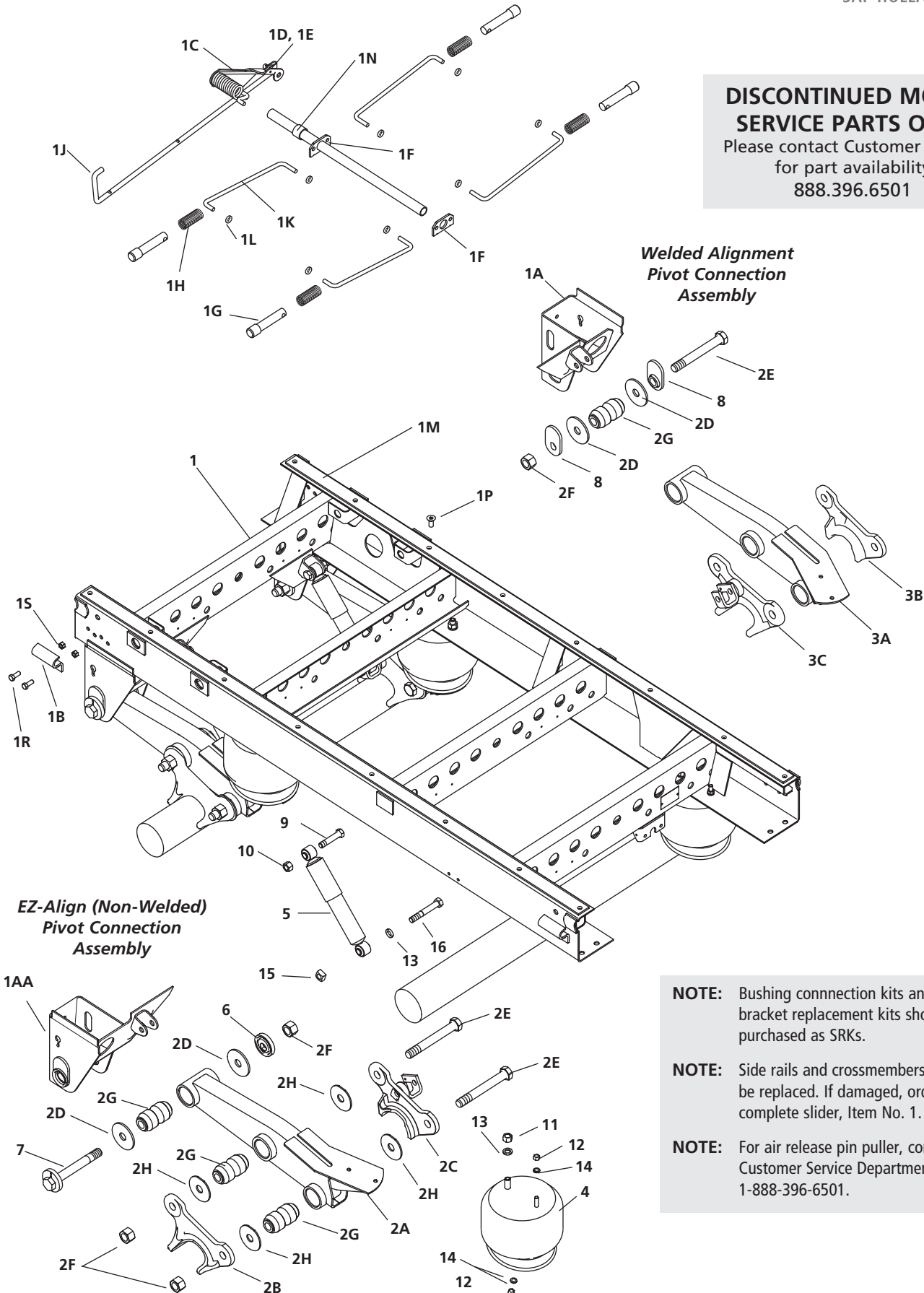
NOTE: For Service Repair Kits and instructions for a CB2300 with PosiLift, see XL-AR462.

NS400 Slider Box and Suspension Exploded View



SAF-HOLLAND Group

**DISCONTINUED MODEL
SERVICE PARTS ONLY**
Please contact Customer Service
for part availability
888.396.6501



NOTE: Bushing connection kits and frame bracket replacement kits should be purchased as SRKs.

NOTE: Side rails and crossmembers cannot be replaced. If damaged, order complete slider, Item No. 1.

NOTE: For air release pin puller, contact Customer Service Department at 1-888-396-6501.



Slider Components

ITEM NO.	DESCRIPTION	96" SLIDER BOX RAIL STYLE	NS-400-16.0	NS-400-16.5	NS-400-17.0	NS-400-18.0	QTY.
1	Slider Assy. w/Qwik Release w/ 2 NW & 2 WA Frame Brkts.*	NSB**	42" - NL1Q22-112N000Y0 48" - NL1Q12-112N000Y0	42" - NL1Q22-122N000Y0 48" - NL1Q12-122N000Y0	42" - NL1Q22-132N000Y0 48" - NL1Q12-132N000Y0	42" - NL1Q22-142N000Y0 48" - NL1Q12-142N000Y0	1
		NSH**	42" - NH1Q22-112N000Y0 48" - NH1Q12-112N000Y0	42" - NH1Q22-122N000Y0 48" - NH1Q12-122N000Y0	42" - NH1Q22-132N000Y0 48" - NH1Q12-132N000Y0	42" - NH1Q22-142N000Y0 48" - NH1Q12-142N000Y0	
		NST**	42" - NT1Q22-112N000Y0 48" - NT1Q12-112N000Y0	42" - NT1Q22-122N000Y0 48" - NT1Q12-122N000Y0	42" - NT1Q22-132N000Y0 48" - NT1Q12-132N000Y0	42" - NT1Q22-142N000Y0 48" - NT1Q12-142N000Y0	
		NSU**	42" - NU1Q22-112N000Y0 48" - NU1Q12-112N000Y0	42" - NU1Q22-122N000Y0 48" - NU1Q12-122N000Y0	42" - NU1Q22-132N000Y0 48" - NU1Q12-132N000Y0	42" - NU1Q22-142N000Y0 48" - NU1Q12-142N000Y0	
1	Slider Assy. w/Qwik Release w/ 4 NW Frame Brackets*	NSB**	42" - NL1Q22-111N000Y0 48" - NL1Q12-111N000Y0	42" - NL1Q22-121N000Y0 48" - NL1Q12-121N000Y0	42" - NL1Q22-131N000Y0 48" - NL1Q12-131N000Y0	42" - NL1Q22-141N000Y0 48" - NL1Q12-141N000Y0	1
		NSH**	42" - NH1Q22-111N000Y0 48" - NH1Q12-111N000Y0	42" - NH1Q22-121N000Y0 48" - NH1Q12-121N000Y0	42" - NH1Q22-131N000Y0 48" - NH1Q12-131N000Y0	42" - NH1Q22-141N000Y0 48" - NH1Q12-141N000Y0	
		NST**	42" - NT1Q22-111N000Y0 48" - NT1Q12-111N000Y0	42" - NT1Q22-121N000Y0 48" - NT1Q12-121N000Y0	42" - NT1Q22-131N000Y0 48" - NT1Q12-131N000Y0	42" - NT1Q22-141N000Y0 48" - NT1Q12-141N000Y0	
		NSU**	42" - NU1Q22-111N000Y0 48" - NU1Q12-111N000Y0	42" - NU1Q22-121N000Y0 48" - NU1Q12-121N000Y0	42" - NU1Q22-131N000Y0 48" - NU1Q12-131N000Y0	42" - NU1Q22-141N000Y0 48" - NU1Q12-141N000Y0	
1A	Frame Bracket (Welded)	Roadside	N/A	N/A	N/A	N/A	N/A
		Curbside	See Frame Bracket Replacement Kits				N/A
1AA	Frame Bracket (EZ-Align)	Roadside	See Frame Bracket Replacement Kits				N/A
		Curbside	See Frame Bracket Replacement Kits				N/A
1B	Hold Down Clip		42" - SL0893 48" - SL0893	42" - SL0893 48" - SL0893	42" - SL0893 48" - SL0893	42" - SL0893 48" - SL0893	4
1C	Center Pin Pull Assembly		42" - SLOA1277-01 48" - SLOA1277-01	42" - SLOA1277-01 48" - SLOA1277-01	42" - SLOA1277-01 48" - SLOA1277-01	42" - SLOA1277-01 48" - SLOA1277-01	1
1D	Clip		42" - SLOA1273 48" - SLOA1273	42" - SLOA1273 48" - SLOA1273	42" - SLOA1273 48" - SLOA1273	42" - SLOA1273 48" - SLOA1273	1
1E	Cotter Pin 3/16" x 1 1/2"		42" - XB-CTP-014-59 48" - XB-CTP-014-59	42" - XB-CTP-014-59 48" - XB-CTP-014-59	42" - XB-CTP-014-59 48" - XB-CTP-014-59	42" - XB-CTP-014-59 48" - XB-CTP-014-59	1
1F	Torsion Cam		42" - SLOA1274 48" - SLOA1274	42" - SLOA1274 48" - SLOA1274	42" - SLOA1274 48" - SLOA1274	42" - SLOA1274 48" - SLOA1274	2
1G	Lock Pin Hutch Style 1 3/8" Dia.		42" - SLOA1261 48" - SLOA1261	42" - SLOA1261 48" - SLOA1261	42" - SLOA1261 48" - SLOA1261	42" - SLOA1261 48" - SLOA1261	4
	Lock Pin 1 3/8" Dia. All Others		42" - SLOA1238 48" - SLOA1238	42" - SLOA1238 48" - SLOA1238	42" - SLOA1238 48" - SLOA1238	42" - SLOA1238 48" - SLOA1238	4
1H	Compression Spring		42" - XB-SPG-020-35 48" - XB-SPG-020-35	42" - XB-SPG-020-35 48" - XB-SPG-020-35	42" - XB-SPG-020-35 48" - XB-SPG-020-35	42" - XB-SPG-020-35 48" - XB-SPG-020-35	4
1J	Pull Handle		42" - SLOA1269-02 48" - SLOA1269-01	42" - SLOA1269-02 48" - SLOA1269-01	42" - SLOA1269-02 48" - SLOA1269-01	42" - SLOA1269-02 48" - SLOA1269-01	1
1K	Pin Pull Rod		42" - SLOA1239-01 48" - SLOA1239-02	42" - SLOA1239-01 48" - SLOA1239-02	42" - SLOA1239-01 48" - SLOA1239-02	42" - SLOA1239-01 48" - SLOA1239-02	4
1L	Washer 1/2" (Pin Pull Rod)		42" - XB-PW-016-85 48" - XB-PW-016-85	42" - XB-PW-016-85 48" - XB-PW-016-85	42" - XB-PW-016-85 48" - XB-PW-016-85	42" - XB-PW-016-85 48" - XB-PW-016-85	8
1M	Slider Pad 96" (Long)		42" - XB-SLOA1054 48" - XB-SLOA1054	42" - XB-SLOA1054 48" - XB-SLOA1054	42" - XB-SLOA1054 48" - XB-SLOA1054	42" - XB-SLOA1054 48" - XB-SLOA1054	2
1N	Spacer		42" - SL0523-07 48" - SL0523-07	42" - SL0523-07 48" - SL0523-07	42" - SL0523-07 48" - SL0523-07	42" - SL0523-07 48" - SL0523-07	1
1P	Self Tap Screw 5/16"-18 x 3/4"		42" - XB-ST5-008-16 48" - XB-ST5-008-16	42" - XB-ST5-008-16 48" - XB-ST5-008-16	42" - XB-ST5-008-16 48" - XB-ST5-008-16	42" - XB-ST5-008-16 48" - XB-ST5-008-16	16
1R	Bolt 1/2"-13 x 1 1/4"		42" - XB-HHC-001-33 48" - XB-HHC-001-33	42" - XB-HHC-001-33 48" - XB-HHC-001-33	42" - XB-HHC-001-33 48" - XB-HHC-001-33	42" - XB-HHC-001-33 48" - XB-HHC-001-33	8
1S	Lock Nut 1/2"-13		42" - XB-SLN-012-42 48" - XB-SLN-012-42	42" - XB-SLN-012-42 48" - XB-SLN-012-42	42" - XB-SLN-012-42 48" - XB-SLN-012-42	42" - XB-SLN-012-42 48" - XB-SLN-012-42	8

* NW = EZ-Align (Non-Welded) style and WA = Welded Alignment style frame brackets.

** NSB = Holland slider box rail style; NSH = Hutch slider box rail style;
NST = TTMA slider box rail style; NSU = Utility slider box railstyle.

**NOT ALL COMPONENTS
SOLD SEPARATELY**

NS400 Suspension Parts List - con 't.



SAF-HOLLAND Group

Suspension Components

ITEM NO.	DESCRIPTION	NS-400-16.0	NS-400-16.5	NS-400-17.0	NS-400-18.0	QTY.
2A	Equalizing Beam LH (bushed beam only)	905 16 945	905 16 945	905 16 945	905 16 945	2
2B	Axle Adapter LH (outside)	900 01 215	900 01 215	900 01 215	900 01 215	2
2C	Axle Adapter LH (inside)	905 01 350	905 01 350	905 01 350	905 01 350	2
2D***	Pivot Connection Wear Washer	900 36 177	900 36 177	900 36 177	900 36 177	8
2E***	Pivot Bolt 1.125"-7 x 8.5" LG	932 01 051	932 01 051	932 01 051	932 01 051	10
2F***	Hex Lock Nut 1.125"-7	934 00 506	934 00 506	934 00 506	934 00 506	6
2G***	Bushing	900 08 149	900 08 149	900 08 149	900 08 149	12
2H***	Axle Connection Wear Washer	900 36 217	900 36 217	900 36 217	900 36 217	16
3A	Equalizing Beam RH (bushed beam only)	905 16 946	905 16 946	905 16 946	905 16 946	2
3B	Axle Adapter RH (outside)	900 01 216	900 01 216	900 01 216	900 01 216	2
3C	Axle Adapter RH (inside)	905 01 351	905 01 351	905 01 351	905 01 351	2
4	Air Spring	905 57 223	905 57 225	905 57 225	905 57 194	4
5	Shock Absorber	900 45 298	900 44 162	900 45 299	900 45 040	4
6***	Alignment Block	900 08 238	900 08 238	900 08 238	900 08 238	2
7***	Pivot Bolt Assembly	905 08 019	905 08 019	905 08 019	905 08 019	2
8***	Alignment Plate	900 08 234	900 08 234	900 08 234	900 08 234	4
9	Hex Bolt .75"-10 x 3.50"	930 03 597	930 03 597	930 03 597	930 03 597	8
10	Hex Lock Nut .75"-10	934 00 492	934 00 492	934 00 492	934 00 492	4
11	Hex Nut .75"-16	934 00 149	934 00 149	934 00 149	934 00 149	4
12	Hex Nut .50"-13	934 00 136	934 00 136	934 00 136	934 00 136	8
13	Washer .78"	936 00 077	936 00 077	936 00 077	936 00 077	8
14	Washer .53"	936 00 072	936 00 072	936 00 072	936 00 072	8
15	Square Nut .75"-10	934 00 367	934 00 367	934 00 367	934 00 367	4
16	Hex Bolt .75"-10 x 5.0"	930 03 633	930 03 633	930 03 633	930 03 633	4

*** Replacement components should be purchased in bushing connection SRK kits.



SAF-HOLLAND Group

Trailer Air Suspension Parts Reference Guide

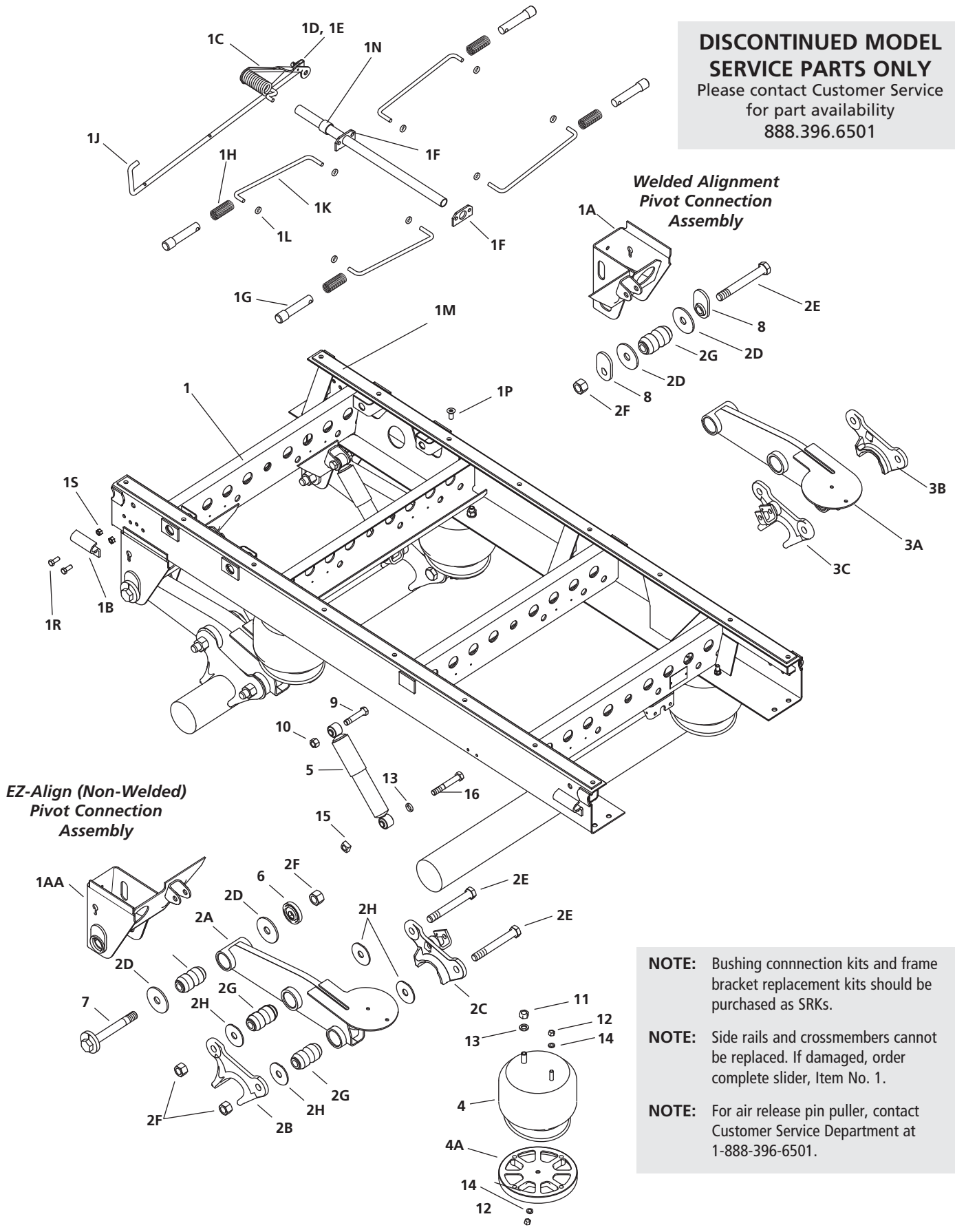
THIS PAGE INTENTIONALLY LEFT BLANK

NS450 Slider Box and Suspension Exploded View



SAF-HOLLAND Group

**DISCONTINUED MODEL
SERVICE PARTS ONLY**
Please contact Customer Service
for part availability
888.396.6501



NOTE: Bushing connection kits and frame bracket replacement kits should be purchased as SRKs.

NOTE: Side rails and crossmembers cannot be replaced. If damaged, order complete slider, Item No. 1.

NOTE: For air release pin puller, contact Customer Service Department at 1-888-396-6501.



NOTE: For 108" and 120" Slider Boxes and Components Contact Technical/Customer Service Department: 1-888-396-6501

Slider Components

ITEM NO.	DESCRIPTION	96" SLIDER BOX RAIL STYLE	NS-450-16.0	NS-450-16.5	NS-450-17.0	NS-450-18.0	QTY.
1	Slider Assy. w/Qwik Release w/ 2 NW & 2 WA Frame Brkts.*	NSB**	42" - NL3Q22-112N000Y0 48" - NL3Q12-112N000Y0	42" - NL3Q22-122N000Y0 48" - NL3Q12-122N000Y0	42" - NL3Q22-132N000Y0 48" - NL3Q12-132N000Y0	42" - NL3Q22-142N000Y0 48" - NL3Q12-142N000Y0	1
		NSH**	42" - NH3Q22-112N000Y0 48" - NH3Q12-112N000Y0	42" - NH3Q22-122N000Y0 48" - NH3Q12-122N000Y0	42" - NH3Q22-132N000Y0 48" - NH3Q12-132N000Y0	42" - NH3Q22-142N000Y0 48" - NH3Q12-142N000Y0	
		NST**	42" - NT3Q22-112N000Y0 48" - NT3Q12-112N000Y0	42" - NT3Q22-122N000Y0 48" - NT3Q12-122N000Y0	42" - NT3Q22-132N000Y0 48" - NT3Q12-132N000Y0	42" - NT3Q22-142N000Y0 48" - NT3Q12-142N000Y0	
		NSU**	42" - NU3Q22-112N000Y0 48" - NU3Q12-112N000Y0	42" - NU3Q22-122N000Y0 48" - NU3Q12-122N000Y0	42" - NU3Q22-132N000Y0 48" - NU3Q12-132N000Y0	42" - NU3Q22-142N000Y0 48" - NU3Q12-142N000Y0	
1	Slider Assy. w/Qwik Release w/ 4 NW Frame Brackets*	NSB**	42" - NL3Q22-111N000Y0 48" - NL3Q12-111N000Y0	42" - NL3Q22-121N000Y0 48" - NL3Q12-121N000Y0	42" - NL3Q22-131N000Y0 48" - NL3Q12-131N000Y0	42" - NL3Q22-141N000Y0 48" - NL3Q12-141N000Y0	1
		NSH**	42" - NH3Q22-111N000Y0 48" - NH3Q12-111N000Y0	42" - NH3Q22-121N000Y0 48" - NH3Q12-121N000Y0	42" - NH3Q22-131N000Y0 48" - NH3Q12-131N000Y0	42" - NH3Q22-141N000Y0 48" - NH3Q12-141N000Y0	
		NST**	42" - NT3Q22-111N000Y0 48" - NT3Q12-111N000Y0	42" - NT3Q22-121N000Y0 48" - NT3Q12-121N000Y0	42" - NT3Q22-131N000Y0 48" - NT3Q12-131N000Y0	42" - NT3Q22-141N000Y0 48" - NT3Q12-141N000Y0	
		NSU**	42" - NU3Q22-111N000Y0 48" - NU3Q12-111N000Y0	42" - NU3Q22-121N000Y0 48" - NU3Q12-121N000Y0	42" - NU3Q22-131N000Y0 48" - NU3Q12-131N000Y0	42" - NU3Q22-141N000Y0 48" - NU3Q12-141N000Y0	
1A	Frame Bracket (Welded)	Roadside	N/A	N/A	N/A	N/A	N/A
		Curbside	See Holland Literature XL-AR321				N/A
1AA	Frame Bracket (EZ-Align)	Roadside	See Holland Literature XL-AR321				N/A
		Curbside	See Holland Literature XL-AR321				N/A
1B	Hold Down Clip		42" - SL0893 48" - SL0893	42" - SL0893 48" - SL0893	42" - SL0893 48" - SL0893	42" - SL0893 48" - SL0893	4
1C	Center Pin Pull Assembly		42" - SL0A1277-01 48" - SL0A1277-01	42" - SL0A1277-01 48" - SL0A1277-01	42" - SL0A1277-01 48" - SL0A1277-01	42" - SL0A1277-01 48" - SL0A1277-01	1
1D	Clip		42" - SL0A1273 48" - SL0A1273	42" - SL0A1273 48" - SL0A1273	42" - SL0A1273 48" - SL0A1273	42" - SL0A1273 48" - SL0A1273	1
1E	Cotter Pin 3/16" x 1 1/2"		42" - XB-CTP-014-59 48" - XB-CTP-014-59	42" - XB-CTP-014-59 48" - XB-CTP-014-59	42" - XB-CTP-014-59 48" - XB-CTP-014-59	42" - XB-CTP-014-59 48" - XB-CTP-014-59	1
1F	Torsion Cam		42" - SL0A1274 48" - SL0A1274	42" - SL0A1274 48" - SL0A1274	42" - SL0A1274 48" - SL0A1274	42" - SL0A1274 48" - SL0A1274	2
1G	Lock Pin Hutch Style 1 7/8" Dia.		42" - SL0A1261 48" - SL0A1261	42" - SL0A1261 48" - SL0A1261	42" - SL0A1261 48" - SL0A1261	42" - SL0A1261 48" - SL0A1261	4
	Lock Pin 1 3/8" Dia. All Others		42" - SL0A1238 48" - SL0A1238	42" - SL0A1238 48" - SL0A1238	42" - SL0A1238 48" - SL0A1238	42" - SL0A1238 48" - SL0A1238	4
1H	Compression Spring		42" - XB-SPG-020-35 48" - XB-SPG-020-35	42" - XB-SPG-020-35 48" - XB-SPG-020-35	42" - XB-SPG-020-35 48" - XB-SPG-020-35	42" - XB-SPG-020-35 48" - XB-SPG-020-35	4
1J	Pull Handle		42" - SL0A1269-02 48" - SL0A1269-01	42" - SL0A1269-02 48" - SL0A1269-01	42" - SL0A1269-02 48" - SL0A1269-01	42" - SL0A1269-02 48" - SL0A1269-01	1
1K	Pin Pull Rod		42" - SL0A1239-01 48" - SL0A1239-02	42" - SL0A1239-01 48" - SL0A1239-02	42" - SL0A1239-01 48" - SL0A1239-02	42" - SL0A1239-01 48" - SL0A1239-02	4
1L	Washer 1/2" (Pin Pull Rod)		42" - XB-PW-016-85 48" - XB-PW-016-85	42" - XB-PW-016-85 48" - XB-PW-016-85	42" - XB-PW-016-85 48" - XB-PW-016-85	42" - XB-PW-016-85 48" - XB-PW-016-85	8
1M	Slider Pad 96" (Long)		42" - XB-SL0A1054 48" - XB-SL0A1054	42" - XB-SL0A1054 48" - XB-SL0A1054	42" - XB-SL0A1054 48" - XB-SL0A1054	42" - XB-SL0A1054 48" - XB-SL0A1054	2
1N	Spacer		42" - SL0523-07 48" - SL0523-07	42" - SL0523-07 48" - SL0523-07	42" - SL0523-07 48" - SL0523-07	42" - SL0523-07 48" - SL0523-07	1
1P	Self Tap Screw 5/16"-18 x 3/4"		42" - XB-ST5-008-16 48" - XB-ST5-008-16	42" - XB-ST5-008-16 48" - XB-ST5-008-16	42" - XB-ST5-008-16 48" - XB-ST5-008-16	42" - XB-ST5-008-16 48" - XB-ST5-008-16	16
1R	Bolt 1/2"-13 x 1 1/4"		42" - XB-HHC-001-33 48" - XB-HHC-001-33	42" - XB-HHC-001-33 48" - XB-HHC-001-33	42" - XB-HHC-001-33 48" - XB-HHC-001-33	42" - XB-HHC-001-33 48" - XB-HHC-001-33	8
1S	Lock Nut 1/2"-13		42" - XB-SLN-012-42 48" - XB-SLN-012-42	42" - XB-SLN-012-42 48" - XB-SLN-012-42	42" - XB-SLN-012-42 48" - XB-SLN-012-42	42" - XB-SLN-012-42 48" - XB-SLN-012-42	8

* NW = EZ-Align (Non-Welded) style and WA = Welded Alignment style frame brackets.

** NSB = Holland slider box rail style; NSH = Hutch slider box rail style; NST = TTMA slider box rail style; NSU = Utility slider box railstyle.

**NOT ALL COMPONENTS
SOLD SEPARATELY**

NS450 Suspension Parts List - cont'd.



SAF-HOLLAND Group

Suspension Components

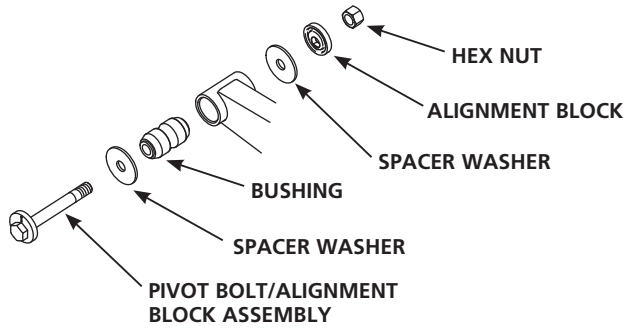
ITEM NO.	DESCRIPTION	NS-450-16.0	NS-450-16.5	NS-450-17.0	NS-450-18.0	QTY.
2A	Equalizing Beam LH (bushed beam only)	905 16 991	905 16 991	905 16 991	905 16 991	2
2B	Axle Adapter LH (outside)	900 01 215	900 01 215	900 01 215	900 01 215	2
2C	Axle Adapter LH (inside)	905 01 350	905 01 350	905 01 350	905 01 350	2
2D***	Pivot Connection Wear Washer	900 36 177	900 36 177	900 36 177	900 36 177	8
2E***	Pivot Bolt 1.125"-7 x 8.5" LG	932 01 051	932 01 051	932 01 051	932 01 051	10
2F***	Hex Lock Nut 1.125"-7	934 00 506	934 00 506	934 00 506	934 00 506	6
2G***	Bushing	900 08 149	900 08 149	900 08 149	900 08 149	12
2H***	Axle Connection Wear Washer	900 36 217	900 36 217	900 36 217	900 36 217	16
3A	Equalizing Beam RH (bushed beam only)	905 16 992	905 16 992	905 16 992	905 16 992	2
3B	Axle Adapter RH (outside)	900 01 216	900 01 216	900 01 216	900 01 216	2
3C	Axle Adapter RH (inside)	905 01 351	905 01 351	905 01 351	905 01 351	2
4	Air Spring	905 57 271	905 57 272	905 57 272	905 57 273	4
4A	Air Spring Spacer	N/A	900 45 362	900 45 362	900 45 362	1‡
5	Shock Absorber	900 45 298	900 44 162	900 45 299	900 45 040	4
6***	Alignment Block	900 08 238	900 08 238	900 08 238	900 08 238	2
7***	Pivot Bolt Assembly	905 08 019	905 08 019	905 08 019	905 08 019	2
8***	Alignment Plate	900 08 234	900 08 234	900 08 234	900 08 234	4
9	Hex Bolt .75"-10 x 3.50"	930 03 597	930 03 597	930 03 597	930 03 597	8
10	Hex Lock Nut .75"-10	934 00 492	934 00 492	934 00 492	934 00 492	4
11	Hex Nut .75"-16	934 00 149	934 00 149	934 00 149	934 00 149	4
12	Hex Nut .50"-13	934 00 136	934 00 136	934 00 136	934 00 136	8
13	Washer .78"	936 00 077	936 00 077	936 00 077	936 00 077	8
14	Washer .53"	936 00 072	936 00 072	936 00 072	936 00 072	8
15	Square Nut .75"-10	934 00 367	934 00 367	934 00 367	934 00 367	4
16	Hex Bolt .75"-10 x 5.0"	930 03 633	930 03 633	930 03 633	930 03 633	4

*** Replacement components should be purchased in bushing connection SRK kits.

‡ For NS-450 model only: 16.5" and 17.0" use one spacer; 18.0" uses two spacers.

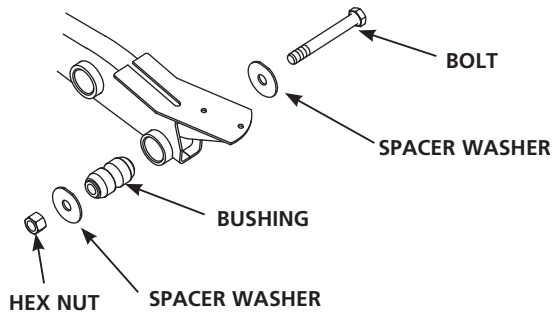
Pivot Connection Kits

DESCRIPTION	SRK NO.	PART NO.	APPLICATION
1 side welded & 1 side EZ-Align	SRK-525	481 00 389	1 Kit Req. per Axle
2 EZ-Align	SRK-521	481 00 385	1 Kits Req. per Axle



Axle Connection Kit

SRK NO.	PART NO.	APPLICATION
SRK-457	481 00 320	1 Kit Req. per Axle



Frame Bracket Replacement Kits

"A" DIM.*	PART NO.	APPLICATION
9.06" (230mm)	110 04 028	Roadside
9.06" (230mm)	110 04 029	Curbside
10.06" (256mm)	110 04 030	Roadside
10.06" (256mm)	110 04 031	Curbside

* See **FIGURE** below for "A" dimension.

IMPORTANT: Welded Alignment frame brackets **must** be replaced with EZ-Align (non-welded) frame brackets.

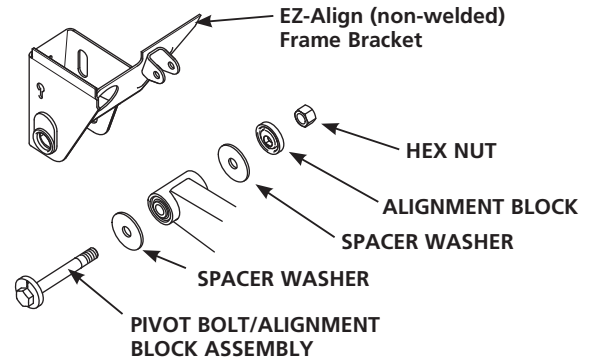
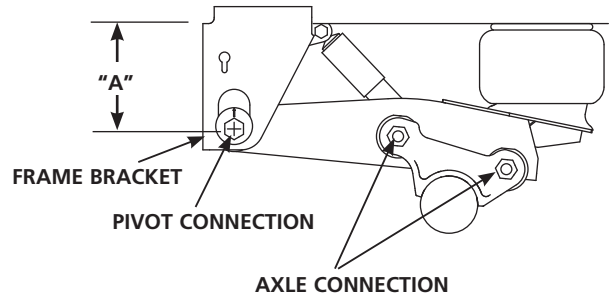


FIGURE "A" DIMENSION

Pivot and Axle Connections

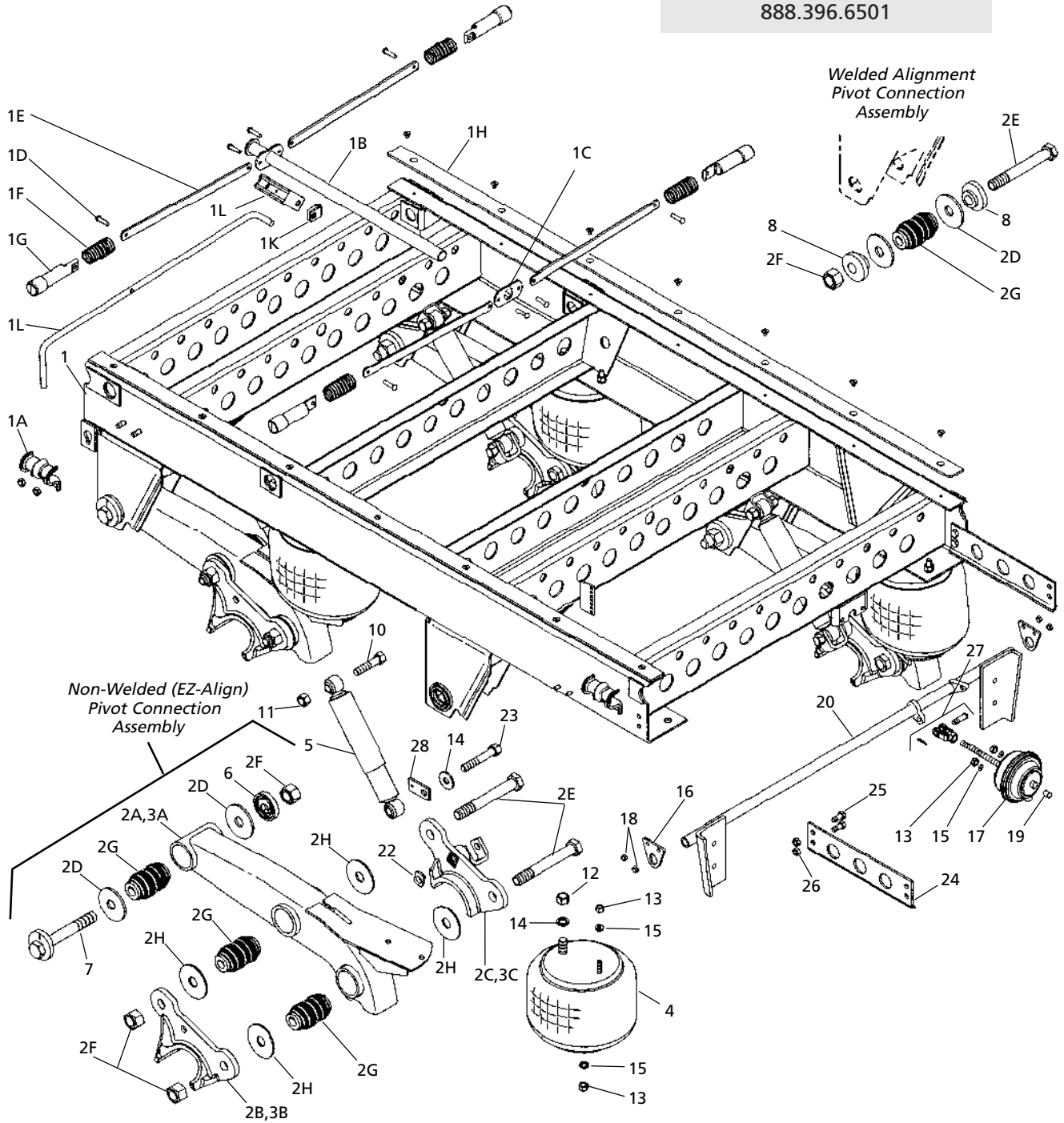


NS190 Exploded View



SAF-HOLLAND Group

DISCONTINUED MODEL
SERVICE PARTS ONLY
 Please contact Customer Service
 for part availability
 888.396.6501



NOTE: Frame Brackets, side rails, and crossmembers cannot be replaced.
 If damaged, order complete slider Item No. 1

NOTE: Drawing depicts 84" slider box



ITEM NO.	LENGTH	NS190-16.0	NS190-16.5	NS190-17.0	NS190-18.0	DESCRIPTION	QTY.
1 2NW* 2WA* Frame Brkt.	84"	42" - 905 46 161 48" - 905 46 155	42" - 905 46 164 48" - 905 46 158	42" - 905 46 164 48" - 905 46 158	42" - 905 46 164 48" - 905 46 158	Slider Assembly	1
	100"	42" - 905 46 211 48" - 905 46 205	42" - 905 46 214 48" - 905 46 208	42" - 905 46 214 48" - 905 46 208	42" - 905 46 214 48" - 905 46 208		
1 4 NW* Frame Brkt.	84"	42" - 905 46 163 48" - 905 46 157	42" - 905 46 166 48" - 905 46 160	42" - 905 46 166 48" - 905 46 160	42" - 905 46 166 48" - 905 46 160	Slider Assembly	1
	100"	42" - 905 46 213 48" - 905 46 207	42" - 905 46 216 48" - 905 46 210	42" - 905 46 216 48" - 905 46 210	42" - 905 46 216 48" - 905 46 210		
1A	84"/100"	900 45 301	900 45 301	900 45 301	900 45 301	Clip (hold down)	4
1B	84"/100"	900 38 413	900 38 413	900 38 413	900 38 413	Tube 28.5 x 1.31 x .109	1
1C	84"/100"	900 45 302	900 45 302	900 45 302	900 45 302	Cam-puller	2
1D	84"/100"	900 34 145	900 34 145	900 34 145	900 34 145	Rivet Pin	8
1E	84"/100"	42" - 900 34 147 48" - 900 34 146	42" - 900 34 147 48" - 900 34 146	42" - 900 34 147 48" - 900 34 146	42" - 900 34 147 48" - 900 34 146	Link	4
1F	84"/100"	900 57 092	900 57 092	900 57 092	900 57 092	Spring	4
1G	84"/100"	900 45 303	900 45 303	900 45 303	900 45 303	Pin (cast lock)	4
1H	84"/100"	*	*	*	*	Slider Pad	2
1J	84"/100"	900 45 305	900 45 305	900 45 305	900 45 305	Clip (link attachment)	1
1K	84"/100"	900 45 306	900 45 306	900 45 306	900 45 306	Crank	1
1L	84"/100"	900 45 307	900 45 307	900 45 307	900 45 307	Pull Handle	1
2A	84"/100"	905 16 816	905 16 816	905 16 816	905 16 816	Equalizing Beam LH (bushed beam only)	2
2B	84"/100"	900 01 215	900 01 215	900 01 215	900 01 215	Axle Adapter LH (outside)	2
2C	84"/100"	905 01 350	905 01 350	905 01 350	905 01 350	Axle Adapter LH (inside)	2
2D	84"/100"	900 36 177	900 36 177	900 36 177	900 36 177	Pivot Connection Wear Washer	8
2E	84"/100"	932 01 051	932 01 051	932 01 051	932 01 051	Hex Bolt 1.125-7 x 8.5 LG	10
2F	84"/100"	934 00 506	934 00 506	934 00 506	934 00 506	Hex Lock Nut 1.125-7	6
2G	84"/100"	900 08 149	900 08 149	900 08 149	900 08 149	Bushing	12
2H	84"/100"	900 36 217	900 36 217	900 36 217	900 36 217	Axle Connection Wear Washer	16
3A	84"/1100"	905 16 817	905 16 817	905 16 817	905 16 817	Equalizing Beam RH (bushed beam only)	2
3B	84"/100"	900 01 216	900 01 216	900 01 216	900 01 216	Axle Adapter RH (outside)	2
3C	84"/100"	905 01 351	905 01 351	905 01 351	905 01 351	Axle Adapter RH (inside)	2
4	84"/100"	905 57 223	905 57 225	905 57 225	905 57 194	Air Spring	4
5	84"/100"	900 44 162	900 45 040	900 45 040	900 45 054	Shock Absorber	4
6	84"/100"	900 08 186	900 08 186	900 08 186	900 08 186	Alignment Block	2
7	84"/100"	905 08 009	905 08 009	905 08 009	905 08 009	Alignment Block Assembly	2
8	84"/100"	900 08 198	900 08 198	900 08 198	900 08 198	Alignment Block	4
10	84"/100"	930 03 597	930 03 597	930 03 597	930 03 597	Hex Bolt .75-10 x 3.50	8
11	84"/100"	934 00 492	934 00 492	934 00 492	934 00 492	Hex Lock Nut .75-10	4
12	84"/100"	934 00 149	934 00 149	934 00 149	934 00 149	Hex Nut .75-16	4
13	84"/100"	934 00 136	934 00 136	934 00 136	934 00 136	Hex Nut .50-13	10
14	84"/100"	936 00 077	936 00 077	936 00 077	936 00 077	Washer .78	8
15	84"/100"	936 00 072	936 00 072	936 00 072	936 00 072	Washer .53	10
16	84"/100"	900 34 101	900 34 101	900 34 101	900 34 101	EOL Rod Support Plate	2
17	84"/100"	905 46 122	905 46 122	905 46 122	905 46 122	EDL Actuator Chamber	1
18	84"/100"	934 00 472	934 00 472	934 00 472	934 00 472	Hex Lock Nut .38-16	4
19	84"/100"	900 54 811	900 54 811	900 54 811	900 54 811	Choke Valve	4
20	84"/100"	42" - 905 46 178 48" - 905 46 177	42" - 905 46 270 48" - 905 46 269	42" - 905 46 136 48" - 905 46 132	42" - 905 46 138 48" - 905 46 134		4
22	84"/100"	934 00 367	934 00 367	934 00 367	934 00 367	Square Nut .75-10	4
23	84"/100"	930 03 633	930 03 633	930 03 633	930 03 633	Hex Bolt .75-10 x 5.0	4
24	84" only	900 34 137	900 34 137	900 34 137	900 34 137	Mud Flap Bracket	2
25	84" only	930 02 907	930 02 907	930 02 907	930 02 907	Hex Bolt .5-13	4
26	84" only	934 00 480	934 00 480	934 00 480	934 00 480	Hex Lock Nut .50-13	4
27	84"/100"	9999048	9999048	9999048	9999048	1/2" Clevis Assem. w/ 1/2" Pin	1
28	84"/100"	900 54 814	900 54 814	900 54 814	900 54 814	HCV Link Bracket	1

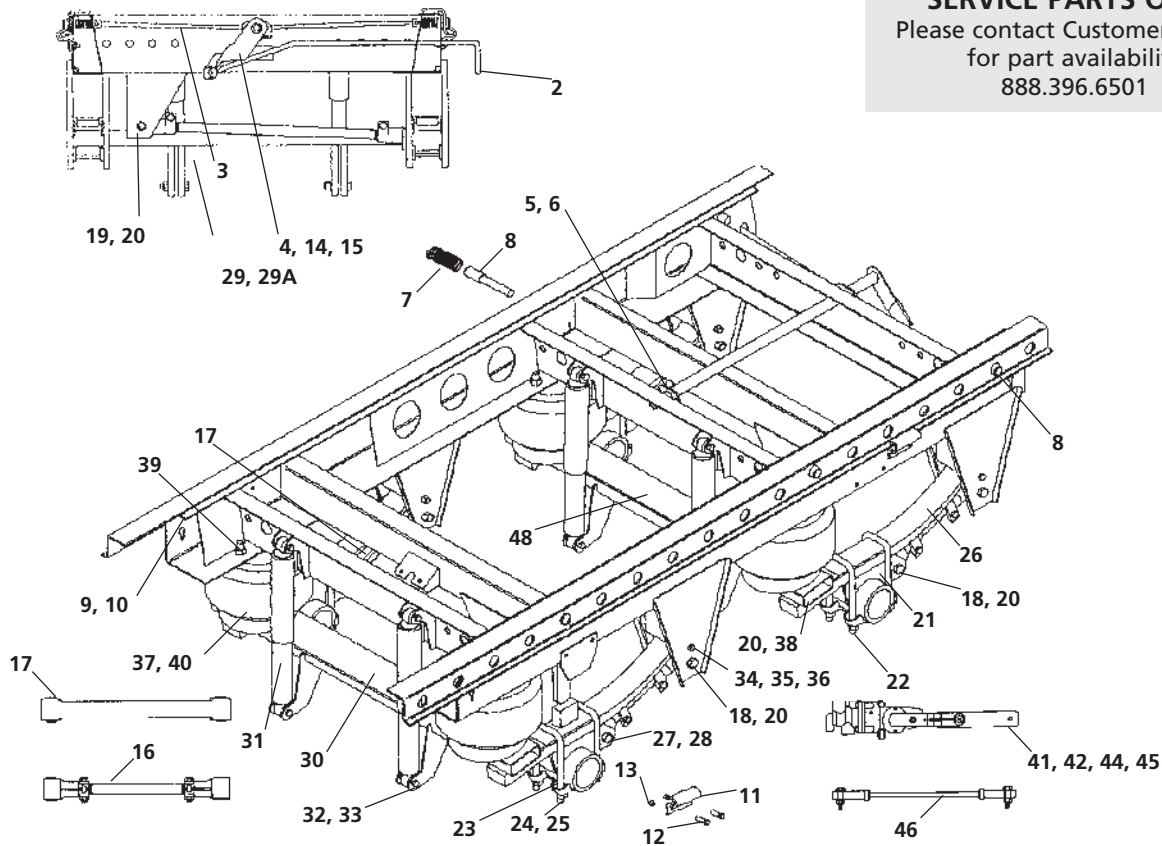
* Please Contact SAF-HOLLAND Customer Service (1.888.396.6501) for Part Information

AirLite2 Parts Explosion/Parts List



SAF-HOLLAND Group

**DISCONTINUED MODEL
SERVICE PARTS ONLY**
Please contact Customer Service
for part availability
888.396.6501

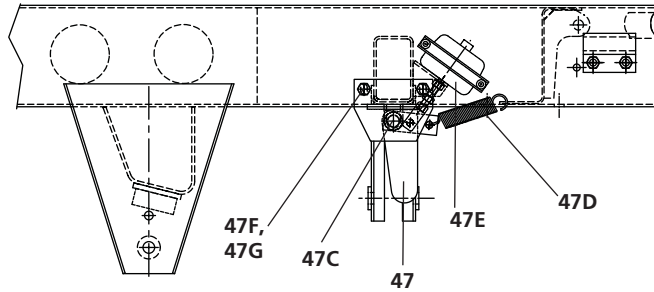


ITEM NO.	DESCRIPTION	HOLLAND PART NO.	QTY.
1	W/A, Sub Frame	N/A	1
2	Arm, Pull	42" - SLOA1122-42 48" - SLOA1122-48	1
3	Arm, Linkage	42" - SLOA1058-02 48" - SLOA1058-01	4
4	Qwik Release™ Replacement Kit	SL0019-01	1
5	Spacer	SL00523-01	1
6	Torsion Cam	SL0994	1
7	Spring, Compression	XB-SPG-020-33	4
8	Pin, Step Lock	SLOA1056	4
9	Self Tap Screw 5/16"-18 x 3/4"	XB-ST5-008-16	16
10	Slider Pad 96" (Long)	XB-SLOA1054	2
11	Bracket, Hold Down	SL0893	4
12	Screw, Hex Cap 1/2"-13 x 1/4"	XB-HHC-001-33	8
13	Lock Nut 1/2"-13	XB-SLN-012-42	8
14	Cotter Pin 3/16" x 1 1/2"	XB-CTP-014-59	1
15	Flat Washer	XB-PW-016-08	1
16	Assembly, Adjustable Torque Arm	SP0202-01	2
17	Assembly, Fixed Torque Arm	SP0224	2
18	Screw, Hex Cap 7/8"-14 x 5 1/2"	XB-SP0050-72	8
19	Screw, Hex Cap 7/8"-14 x 4.81"	XB-SP0050-75	4
20	Nut, Hex Flange 7/8"-14	XB-SP0012-36	16
21	W/A, Spring Seat Riser	See Chart 2 (next pg)	4
22	Bottom Plates	SP0099/SP0192	4
23	Flat Top U-Bolts	See Chart 2 (next pg)	8
24	Nut, Hex 7/4"-16	XB-SP0011-44	16

ITEM NO.	DESCRIPTION	HOLLAND PART NO.	QTY.
25	Washer, Flat-Hardened	XB-SP0016-67	16
26	Spring - Low Arch	XB-SP0205-01	4
27	Spring Liner Upper	XB-SP0203	4
28	Spring Liner Lower	XB-SP0204	4
29	Assembly, Cross Arm	42" - SP0202-09 48" - SP0202-10	2
30	W/A, Lower Beam Rear	See Chart 1 (next pg)	1
31	Shock Absorber, Monroe	XB-SPN-053-36	4
32	Screw, Hex Cap 3/4"-10 x 3 1/4"	XB-SP0050-99	8
33	Nut, Self-Locking, 3/4"-10	XB-SP0012-49	8
34	Screw, Hex Hd. Cap 5/8"-11 x 5 1/4"	XB-SP0050-101	4
35	Spacer, Sleeve	SP0221	4
36	Nut, Hex Self-Locking, 5/8"-11	XB-SP0012-10	4
37	Air Spring, Firestone	XB-SPN-053-60	4
38	Screw, Hex Hd. Cap 7/8"-14 x 2 1/2"	XB-SP0050-100	4
39	Nut, Hex Self-Locking, 3/4"-16	XB-SP0012-51	4
40	Nut, Hex Self-Locking, 1/2"-13	XB-SP0012-52	8
41	Hadley 500 LV*	XB-SPN-053-58	1
	Hadley 500 LV* with auto dump	XB-SPN-053-54	
42	Hadley Pressure Protection Valve	XB-SPN-053-61	1
43**	Manual Switch Valve	XB-SPN-052-51	1
44	Screw, Hex Hd. Cap 1/4"-20 x 2 1/2"	XB-HHC-050-109	2
45	Lock Nut, 1/4"-20	XB-SLN-012-60	2
46	Assembly, Hadley Link, 10.50" LG	XB-SPN-053-62	1
48	W/A, Lower Beam Front	See Chart 1 (next pg)	1

* LV = Leveling Valve.

** Item 43 not shown in diagram



AirLite2 Optional Air Level

ITEM NO.	DESCRIPTION	HOLLAND PART NO.	QTY.
47	W/A, Air Level Cam	SL0A1134-48/42	1
47A	Assy., Cam Bracket	SL0A1124	2
47B	Bracket, Mounting Air Chamber	SL0A1129	1
47C	Support Shaft	SL0A1123	1
47D	Spring Extension	XB-SPG-020-34	1
47E	Service Chamber	SL0969	1
47F	Screw, Hex Cap 1/2"-13 x 1-1/4"	XB-HHC-001-33	4
47G	Lock Nut 1/2"-13	XB-SLN-012-42	4

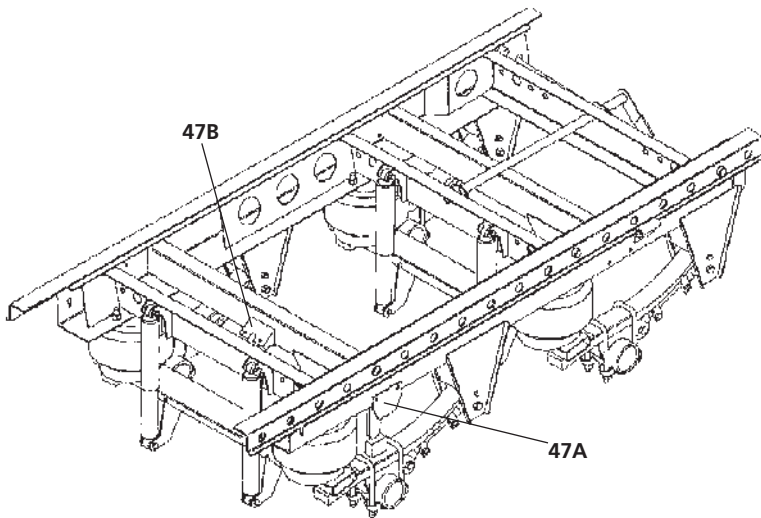


Chart 1

ITEM NO.	DESCRIPTION	HOLLAND PART NO.
2	Arm, Pull	42" - SL0A1122-42 48" - SL0A1122-48
3	Arm, Linkage	42" - SL0A1058-02 48" - SL0A1058-01
29	Cross Arm Assy.	42" - SP0202-09 48" - SP0202-10
29A	Center Link	42" - SP0206-02 48" - SP0206-03
30	W/A, Lower Beam, Rear (without air level)	42" - SP0278-42 48" - SP0278-48
	W/A, Lower Beam (with air level)	42" - SP0284-42 48" - SP0284-48
48	W/A, Lower Beam, Front	42" - SP0277-42 48" - SP0277-48

Chart 2

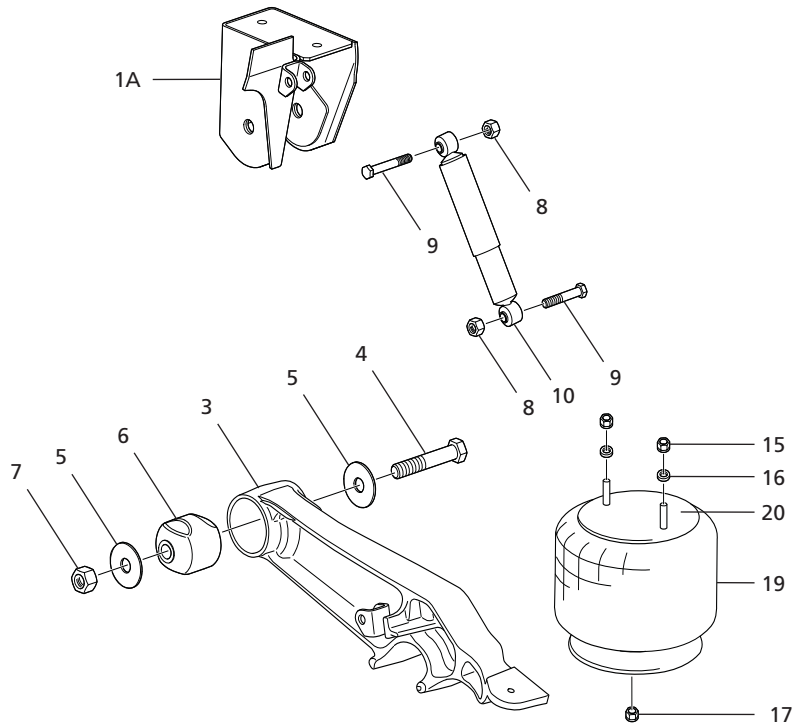
ITEM NO.	DESCRIPTION	RIDE HEIGHT/SEAT HEIGHT			
		16.0" / 3/4"	16.5" / 1-1/4"	17.0" / 1-3/4"	17.5" / 2-1/4"
21	W/A, Spring Seat Riser	SP0142-01	SP0142-02	SP0142-03	SP0142-04
23	Flat Top U-Bolts	XB-SP0074-H	XB-SP0074-J	XB-SP0074-K	XB-SP0074-L

CBX23/CBX25 & CB2300 Suspension Exploded View

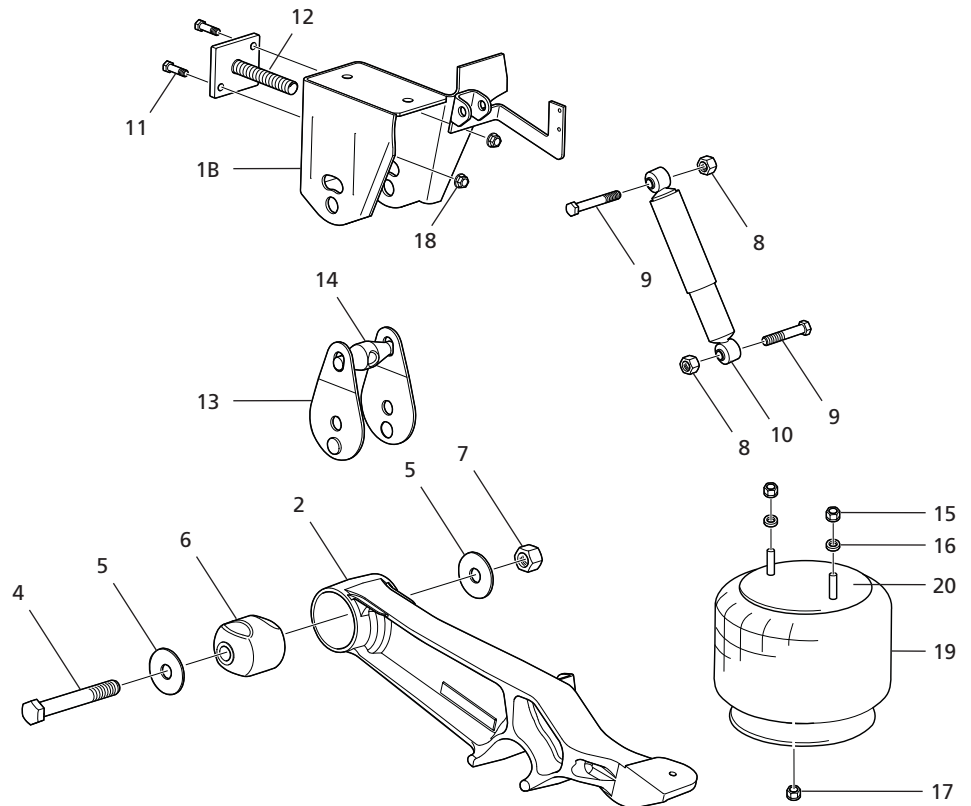


SAF-HOLLAND Group

Curb Side Components



Road Side Components





SAF-HOLLAND Group

CBX23/CBX25 & CB2300 Suspension Parts List

CB-2300 & CBX23 Parts List

ITEM	DESCRIPTION	CB2300-14 CBX23-14	CB2300-15 CBX23-15	CB2300-16 CBX23-16	CB2300-17 CBX23-17	QTY.
1A*†	Frame Bracket (Welded) - with integral brace	481 00 465	481 00 466	481 00 467	481 00 467	1
1B*†	Frame Bracket (SwingAlign) - with integral brace	481 00 462	481 00 464	481 00 463	481 00 463	1
2	Equalizing Beam LH (roadside - bushed beam only)	Not Available	Not Available	Not Available	Not Available	-
3	Equalizing Beam RH (curbside - bushed beam only)	Not Available	Not Available	Not Available	Not Available	-
4*	Pivot Bolt 1 1/8"-7 x 8.0" LG GR 8	932 01 070	932 01 070	932 01 070	932 01 070	2
5*	Pivot Connection Washer	936 00 553	936 00 553	936 00 553	936 00 553	4
6*	Bushing	900 08 247	900 08 247	900 08 247	900 08 247	2
7*	Hex Lock Nut 1 1/8"-7	934 00 506	934 00 506	934 00 506	934 00 506	2
8	Hex Lock Nut 3/4"-10	934 00 492	934 00 492	934 00 492	934 00 492	4
9	Hex Bolt 3/4"-10 x 3.50" GR 5	930 06 035	930 06 035	930 06 035	930 06 035	4
10†	Shock Absorber	900 44 868	900 45 381	900 45 298	900 45 298	2
11	Hex Bolt 1/2"-13 x 1 3/4"	XB-HHC-001-33	XB-HHC-001-33	XB-HHC-001-33	XB-HHC-001-33	2
12	Threaded Rod Assembly	905 48 007	905 48 007	905 48 007	905 48 007	1
13	Alignment Plate	905 31 339	905 31 339	905 31 339	905 31 339	2
14	SwingAlign Yoke	900 45 491	900 45 491	900 45 491	900 45 491	1
15	Hex Lock Nut 3/4"-16	934 00 149	934 00 149	934 00 149	934 00 149	4
16	Washer 3/4"	936 00 077	936 00 077	936 00 077	936 00 077	4
17	Flange Nut 1/2"-13	934 00 623	934 00 623	934 00 623	934 00 623	2
18	Hex Nut - 1/2" -13	934 00 136	934 00 136	934 00 136	934 00 136	2
19	Air Spring	905 57 330	905 57 331	905 57 332	905 57 332	2
20	Plate, Mounting, Air Spring	900 34 247	900 34 247	900 34 247	900 34 247	2

CBX25 Parts List

ITEM	DESCRIPTION	CBX25-14	CBX25-15	CBX25-16	CBX25-17	QTY.
1A*†	Frame Bracket (Welded) - with integral brace	481 00 465	481 00 466	481 00 467	481 00 467	1
1B*†	Frame Bracket (SwingAlign) - with integral brace	481 00 462	481 00 464	481 00 463	481 00 463	1
2	Equalizing Beam LH (roadside - bushed beam only)	Not Available	Not Available	Not Available	Not Available	-
3	Equalizing Beam RH (curbside - bushed beam only)	Not Available	Not Available	Not Available	Not Available	-
4*	Pivot Bolt 1 1/8"-7 x 8.0" LG GR 8	932 01 070	932 01 070	932 01 070	932 01 070	2
5*	Pivot Connection Washer	936 00 553	936 00 553	936 00 553	936 00 553	4
6*	Bushing	900 08 247	900 08 247	900 08 247	900 08 247	2
7*	Hex Lock Nut 1 1/8"-7	934 00 506	934 00 506	934 00 506	934 00 506	2
8	Hex Lock Nut 3/4"-10	934 00 492	934 00 492	934 00 492	934 00 492	4
9	Hex Bolt 3/4"-10 x 3.50" GR 5	930 06 035	930 06 035	930 06 035	930 06 035	4
10†	Shock Absorber	900 45 607	900 45 608	900 45 040	900 45 040	2
11	Hex Bolt 1/2"-13 x 1 3/4"	XB-HHC-001-33	XB-HHC-001-33	XB-HHC-001-33	XB-HHC-001-33	2
12	Threaded Rod Assembly	905 48 007	905 48 007	905 48 007	905 48 007	1
13	Alignment Plate	905 31 339	905 31 339	905 31 339	905 31 339	2
14	SwingAlign Yoke	900 45 491	900 45 491	900 45 491	900 45 491	1
15	Hex Lock Nut 3/4"-16	934 001 49	934 00 149	934 00 149	934 00 149	4
16	Washer 3/4"	936 00 077	936 00 077	936 00 077	936 00 077	4
17	Flange Nut 1/2"-13	934 00 623	934 00 623	934 00 623	934 00 623	2
18	Hex Nut - 1/2" -13	934 00 136	934 00 136	934 00 136	934 00 136	2
19	Air Spring	905 57 376	905 57 376	905 57 377	905 57 377	2
20	Plate, Mounting, Air Spring	900 34 247	900 34 247	900 34 247	900 34 247	2

* Replacement components should be purchased in Service Repair Kits listed on Page 10.

† For a non-standard suspension, contact SAF-HOLLAND Customer Service (1-888-396-6501) for frame brackets and shock absorber part numbers.

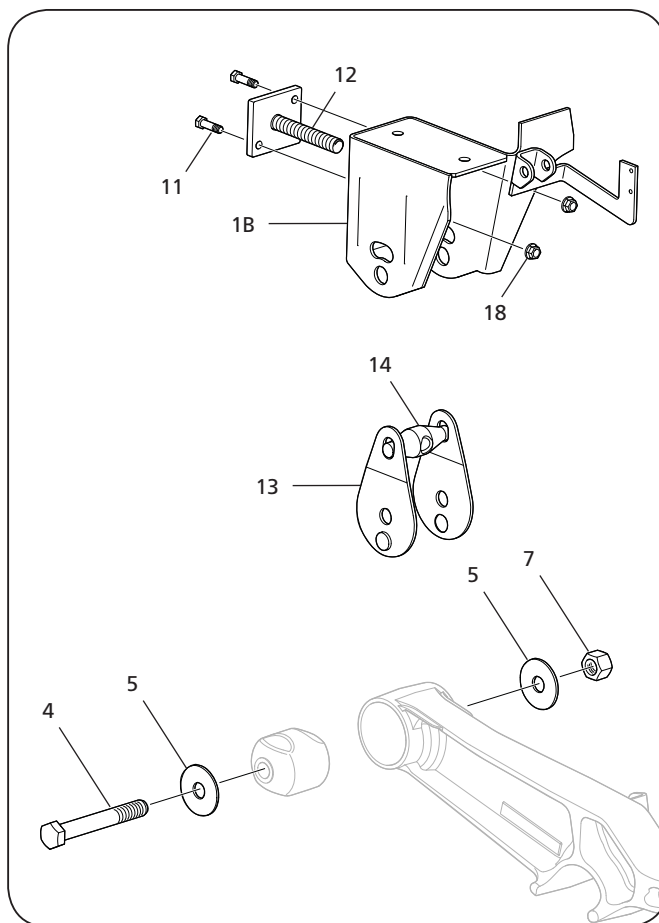
NOTE: When ordering Service Repair Kits, all necessary components to complete an axle installation are included.

SwingAlign™ Frame Bracket Replacement Kits

14" Ride Height:
Part Number: 481 00 462

SRK-598

ITEM	PART NO.	DESCRIPTION	QTY.
4	932 01 070	Rod Bolt 1 1/8" - 7 x 8"	2
5	936 00 553	Washer	4
7	934 00 506	Lock Nut 1 1/8" - 7	2
1B	905 21 823	Frame Bracket, Roadside	1
12	905 48 007	Threaded Rod Assembly	1
11	XB-HHC-001-33	Bolt, Hex 1/2" - 13 x 1 3/4"	2
18	934 00 136	Nut, Hex 1/2" - 13	2
14	900 45 491	SwingAlign™ Yoke	1
13	905 31 339	Alignment Plate	2



15" Ride Height:
Part Number: 481 00 464

SRK-600

ITEM	PART NO.	DESCRIPTION	QTY.
4	932 01 070	Rod Bolt 1 1/8" - 7 x 8"	2
5	936 00 553	Washer	4
7	934 00 506	Lock Nut 1 1/8" - 7	2
1B	905 21 824	Frame Bracket, Roadside	1
12	905 48 007	Threaded Rod Assembly	1
11	XB-HHC-001-33	Bolt, Hex 1/2" - 13 x 1 3/4"	2
18	934 00 136	Nut, Hex 1/2" - 13	2
14	900 45 491	SwingAlign™ Yoke	1
13	905 31 339	Alignment Plate	2

16" & 17" Ride Height:
Part Number: 481 00 463

SRK-599

ITEM	PART NO.	DESCRIPTION	QTY.
4	932 01 070	Rod Bolt 1 1/8" - 7 x 8"	2
5	936 00 553	Washer	4
7	934 00 506	Lock Nut 1 1/8" - 7	2
1B	905 21 825	Frame Bracket, Roadside	1
12	905 48 007	Threaded Rod Assembly	1
11	XB-HHC-001-33	Bolt, Hex 1/2" - 13 x 1 3/4"	2
18	934 00 136	Nut, Hex 1/2" - 13	2
14	900 45 491	SwingAlign™ Yoke	1
13	905 31 339	Alignment Plate	2

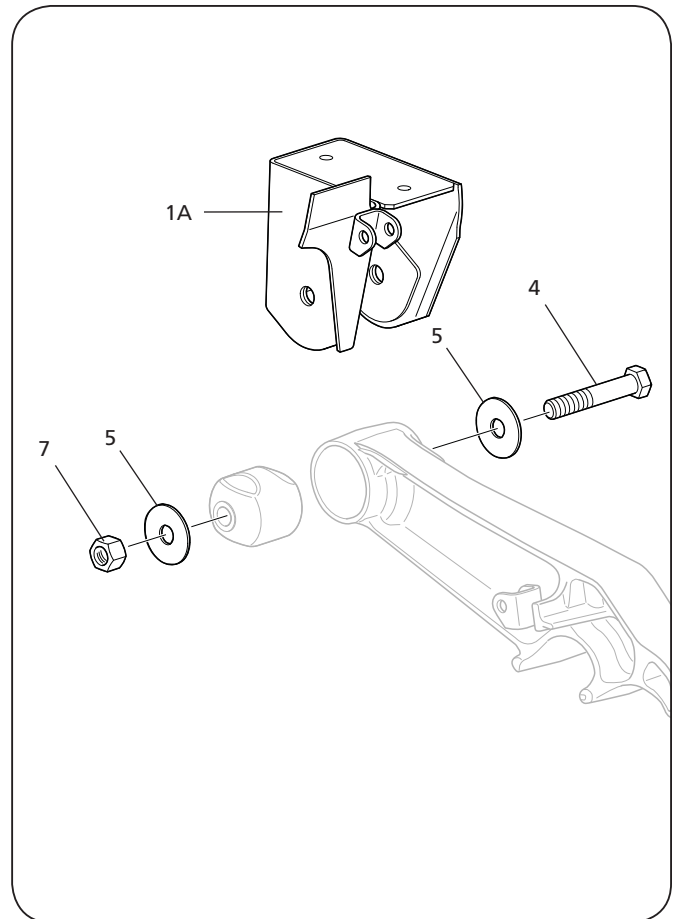
Fixed Frame Bracket Replacement Kits

14" Ride Height: SRK-601
 Part Number: 481 00 465

ITEM	PART NO.	DESCRIPTION	QTY.
4	932 01 070	Rod Bolt 1 1/8" - 7 x 8"	2
5	936 00 553	Washer	4
1A	905 21 826	Frame Bracket, Curbside	1
7	934 00 506	Lock Nut 1 1/8" - 7"	2

15" Ride Height: SRK-602
 Part Number: 481 00 466

ITEM	PART NO.	DESCRIPTION	QTY.
4	932 01 070	Rod Bolt 1 1/8" - 7 x 8"	2
5	936 00 553	Washer	4
1A	905 21 827	Frame Bracket, Curbside	1
7	934 00 506	Lock Nut 1 1/8" - 7"	2



16" & 17" Ride Height: SRK-603
 Part Number: 481 00 467

ITEM	PART NO.	DESCRIPTION	QTY.
4	932 01 070	Rod Bolt 1 1/8" - 7 x 8"	2
5	936 00 553	Washer	4
1A	905 21 828	Frame Bracket, Curbside	1
7	934 00 506	Lock Nut 1 1/8" - 7"	2

CBX23/CBX25 & CB2300 Service Repair Kits (SRKs)



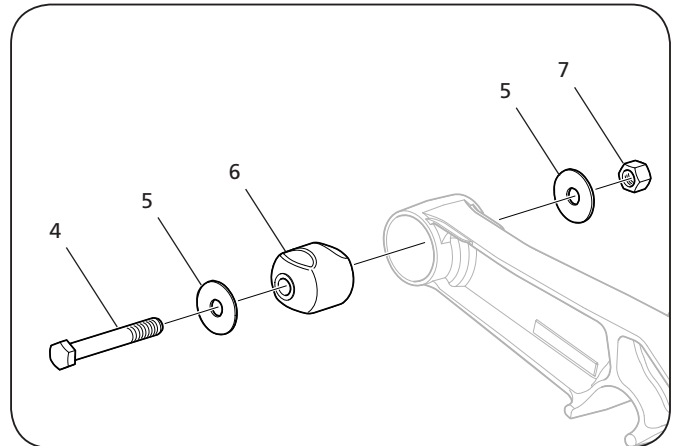
SAF-HOLLAND Group

Pivot Connection Replacement Kit

Part Number: 481 00 394

SRK-530

ITEM	PART NO.	DESCRIPTION	QTY.
4	932 01 070	Rod Bolt 1 1/8" - 7 x 8"	2
6	900 08 247	Rubber Bushing	2
7	934 00 506	Lock Nut 1 1/8" - 7	2
5	936 00 553	Washer	4

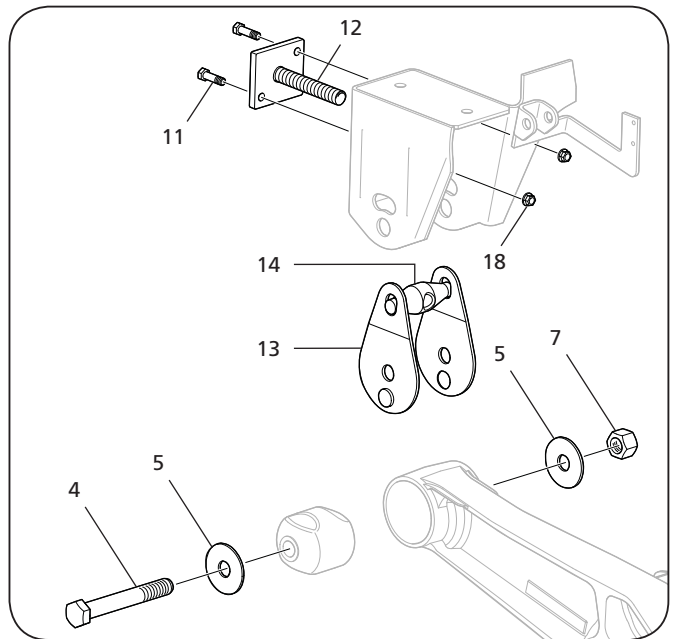


SwingAlign™ Replacement Kit

Part Number: 481 00 406

SRK-542

ITEM	PART NO.	DESCRIPTION	QTY.
4	932 01 070	Rod Bolt 1 1/8" - 7 x 8"	2
5	936 00 553	Washer	4
7	934 00 506	Lock Nut 1 1/8" - 7	2
12	905 48 007	Threaded Rod Assembly	1
11	XB-HHC-001-33	Bolt, Hex 1/2" - 13 x 1 3/4"	2
18	934 00 136	Nut, Hex 1/2" - 13	2
14	900 45 491	SwingAlign™ Yoke	1
13	905 31 339	Alignment Plate	2

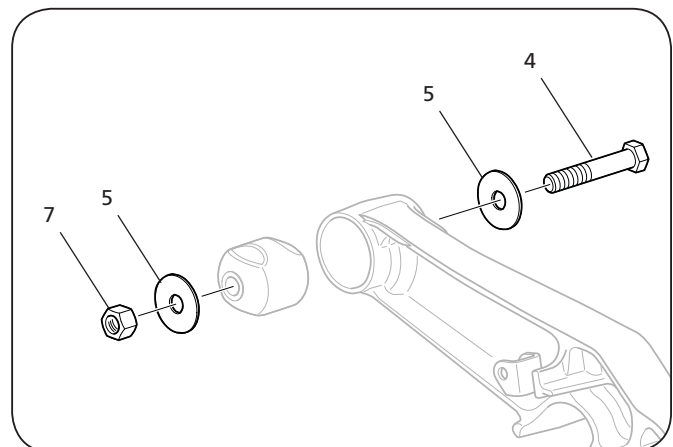


Pivot Connection Service Repair Kit

Part Number: 481 00 471

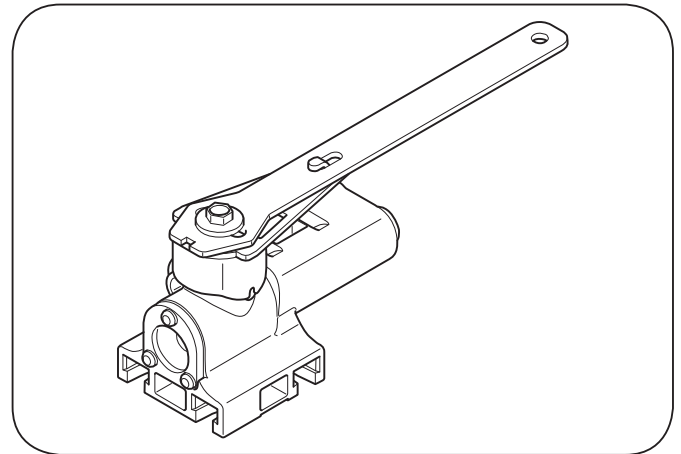
SRK-607

ITEM	PART NO.	DESCRIPTION	QTY.
4	932 01 070	Pivot Bolt 1 1/8" - 7 x 8" Gr 8	2
7	934 00 506	Hex Lock Nut 1 1/8" - 7 Gr C	2
5	936 00 553	Washer	4



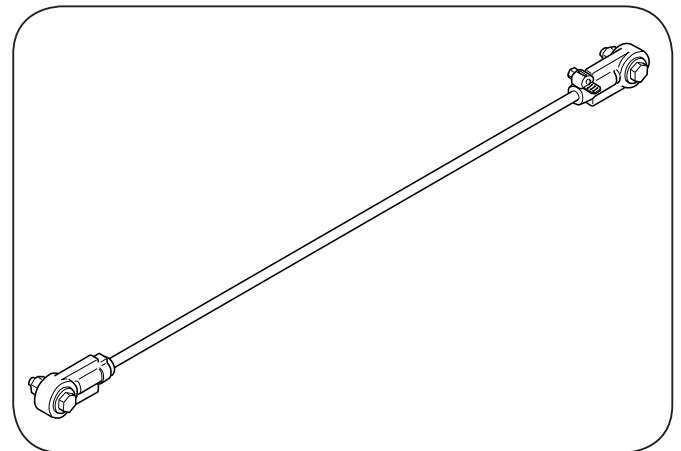
Height Control Valve (HCV)

DESCRIPTION*	PART NO.
Max-Valve™ HCV - No Dump	50860001
Max-Valve™ HCV - Manual Dump	50860002
Max-Valve™ HCV - Automatic Dump	50860003



Adjustable Height Control Linkage

Part Number: 50860006



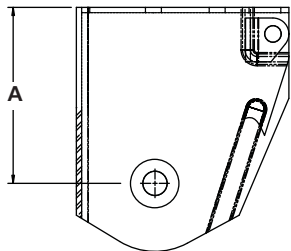
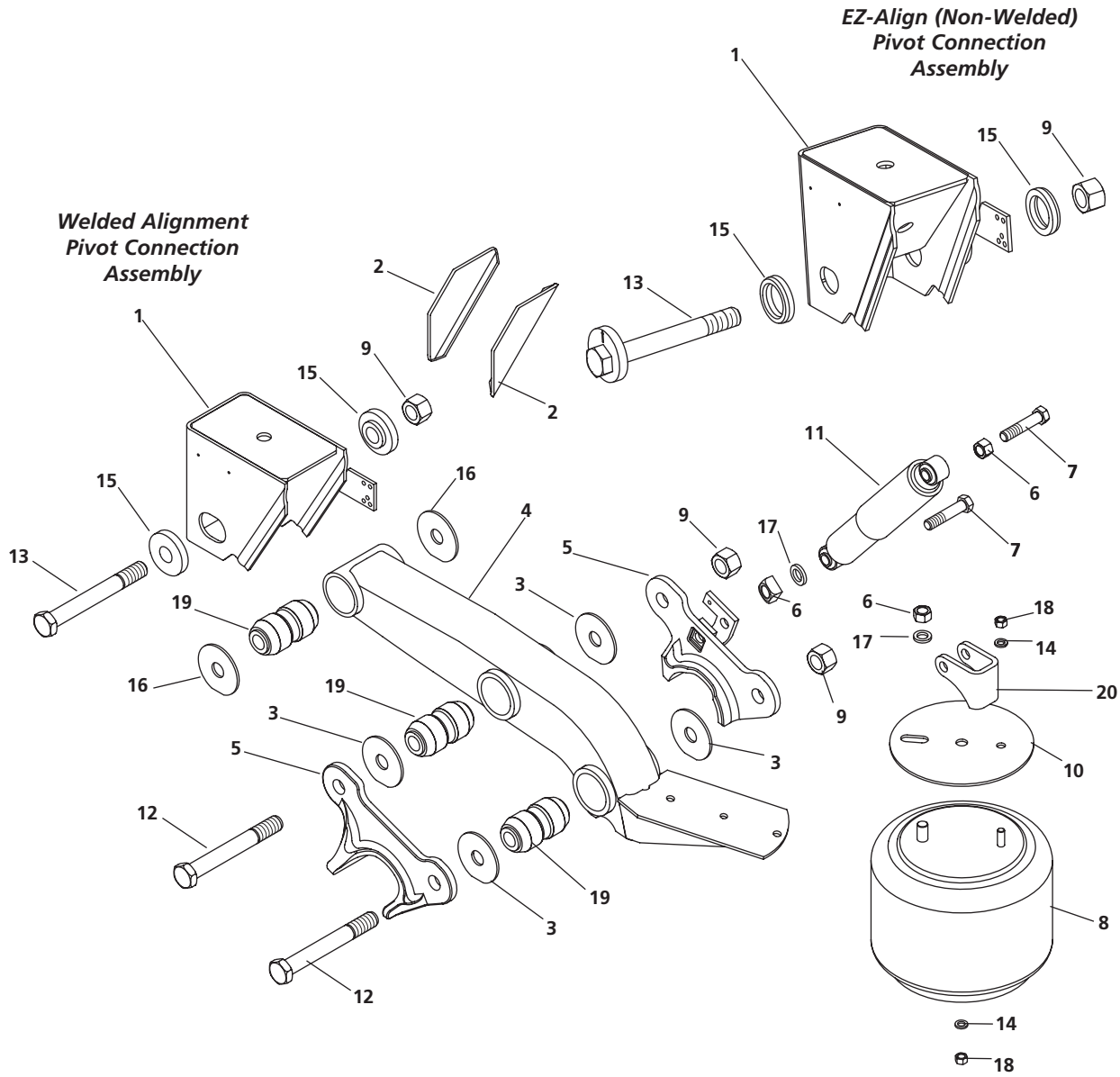
Pressure Protection Valve

Part Number: 90560109



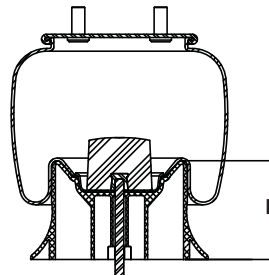
RL228 Standard Suspension Exploded View

SAF-HOLLAND Group



Frame Bracket

"A" DIM	PART NO.
5.06"	905 20 846
7.06"	905 21 147
8.06"	905 21 148
10.44"	905 21 149



Air Spring

"B" DIM	PART NO.
2.83"	905 57 223
4.75"	905 57 156
5.70"	905 57 157



ITEM NO.	DESCRIPTION	NON-LIFTABLE RL-228-12-3	NON-LIFTABLE RL-228-14-3	LIFTABLE RL-228-14-4	LIFTABLE RL-228-15-3	LIFTABLE RL-228-16-3	LIFTABLE RL-228-17-3	QTY.
1	Frame Bracket (roadside - EZ-Align)	-	905 21 147	905 21 147	905 21 148	905 21 149	905 21 149	1
	Frame Bracket (roadside - Welded Alignment)	905 20 846	905 21 141*	905 21 141*	905 21 142*	905 21 143*	905 21 143*	1
	Frame Bracket (curbside - EZ-Align)	-	905 21 147	905 21 147	905 21 148	905 21 149	905 21 149	1
	Frame Bracket (curbside - Welded Alignment)	905 20 846	905 21 141*	905 21 141*	905 21 142*	905 21 143*	905 21 143*	1
2	Angle Brace	900 25 257	900 25 257	900 25 157	900 23 002	900 23 002	900 23 002	4
3†	1-1/8" Spacer Washer	900 36 217	900 36 217	900 36 217	900 36 217	900 36 217	900 36 217	8
4	Equalizing Beam (roadside)	905 16 566	905 16 566	905 16 654	905 16 566	905 16 566	905 16 566	1
	Equalizing Beam (curbside)	905 16 567	905 16 567	905 16 655	905 16 567	905 16 567	905 16 567	1
5	Axle Adapter (roadside - outboard)	900 01 341	900 01 341	900 01 341	900 01 341	900 01 341	900 01 341	1
	Axle Adapter (roadside - inboard)	905 01 462	905 01 462	905 01 462	905 01 462	905 01 462	905 01 462	1
	Axle Adapter (curbside - outboard)	900 01 340	900 01 340	900 01 340	900 01 340	900 01 340	900 01 340	1
	Axle Adapter (curbside - inboard)	905 01 463	905 01 463	905 01 463	905 01 463	905 01 463	905 01 463	1
6	3/4"-10 Hex Nut (top of air spring)	934 00 149	934 00 149	934 00 149	934 00 149	934 00 149	934 00 149	2
	3/4"-10 Hex Nut (upper shock lock nut)	934 00 492	934 00 492	934 00 492	934 00 492	934 00 492	934 00 492	2
	3/4"-10 Square Nut (for lower shock bolt)	934 00 367	934 00 367	934 00 367	934 00 367	934 00 367	934 00 367	2
7	3/4"-10x3 1/2" Bolt (for upper shock bolt)	930 03 597	930 03 597	930 03 597	930 03 597	930 03 597	930 03 597	2
	3/4"-10x4" Bolt (for lower shock bolt)	930 03 609	930 03 609	930 03 609	930 03 609	930 03 609	930 03 609	2
8	Air Spring	905 57 223	905 57 156	905 57 156	905 57 156	905 57 156	905 57 157	2
9	1-1/8" Lock Nut	934 00 506	934 00 506	934 00 506	934 00 506	934 00 506	934 00 506	6
10	Air Spring Mtg Plate (ASMP)	900 33 785	900 33 785	900 33 785	900 33 785	900 33 785	900 33 785	2
	Upper ASMP & shk Brkt (roadside) SS	-	-	-	905 31 245	905 31 245	905 31 245	1
	Upper ASMP & shk Brkt (curbside) SS	-	-	-	905 31 246	905 31 246	905 31 246	1
11	Shock Absorber	900 44 162	900 44 642	900 44 642	900 44 642	900 44 642	900 44 089	2
12	1-1/8" Bolt	932 01 051	932 01 051	932 01 051	932 01 051	932 01 051	932 01 051	4
13	1-1/8" Pivot Bolt (Welded Alignment)	932 01 055	932 01 069	932 01 069	932 01 069	932 01 069	932 01 069	
	1-1/8" Pivot Bolt (EZ-Align)	-	905 08 019	905 08 019	905 08 019	905 08 019	905 08 019	
14	1/2" Washer	936 00 072	936 00 072	936 00 072	936 00 072	936 00 072	936 00 072	4
15	Alignment Block (Welded Alignment)	900 08 147	900 08 198	900 08 198	900 08 198	900 08 198	900 08 198	
	Alignment Block (EZ-Align)	-	900 08 238	900 08 238	900 08 238	900 08 238	900 08 238	
16	Washer, 1.14" dia.	900 36 177	900 36 177	900 36 177	900 36 177	900 36 177	900 36 177	4
17	3/4" Washer	936 00 077	936 00 077	936 00 077	936 00 077	936 00 077	936 00 077	4
18	1/2"-13 Nut	934 00 136	934 00 136	934 00 136	934 00 136	934 00 136	934 00 136	4
19**	Pivot and Axle Bushing	900 08 149	900 08 149	900 08 149	900 08 149	900 08 149	900 08 149	6
20	Upper Shock Bracket	900 18 515	900 18 515	900 18 515	900 18 515	900 18 515	900 18 515	2

* Replacement frame bracket assembly can be found in SRK kits: 544, 545, and 546. When ordering frame brackets, it is recommended to order only EZ-Align replacement parts.

** Replacement components should be purchased in bushing connection SRK kits listed below.

† Contact Holland Customer Service at 888-396-6501.

‡ Suspensions produced prior to 2002 may require 90036177 spacer washers at the axle connection if the axle adapters have an inside spacing of 5.78".

Pivot Connection Kits

DESCRIPTION	SRK NO.	PART NO.	APPLICATION
2 Welded Adjustable	SRK-203	481 00 264	1 Kit Req. per Axle
1 Welded Adjustable, 1 EZ-Align	SRK-227	481 00 289	1 Kit Req. per Axle
1 EZ-Align	SRK-233	481 00 295	2 Kits Req. per Axle
1 EZ-Align, 1 Welded Alignment	SRK-266	481 00 329	1 Kit Req. per Axle
1 EZ-Align, 1 Welded Alignment	SRK-520	481 00 384	1 Kit Req. per Axle
2 EZ-Align	SRK-521	481 00 385	1 Kit Req. per Axle
1 EZ-Align, 1 Welded Alignment	SRK-525	481 00 389	1 Kit Req. per Axle

- 1.If 900 08 147 alignment block is used, you must use 932 01 055 pivot bolt.
- 2.If 900 08 198 alignment block is used, you must use 932 01 069 pivot bolt.
- 3.Measure alignment block diameter: 3.125" = 900 08 147; measure alignment block diameter: 2.80"= 900 08 198.

Axle Connection Kits

SRK NO.	PART NO.	APPLICATION
SRK-149*	481 00 206	1 Kit Req. per Axle
SRK-229†	481 00 291	2 Kits Req. per Axle
SRK-230‡	481 00 292	2 Kits Req. per Axle

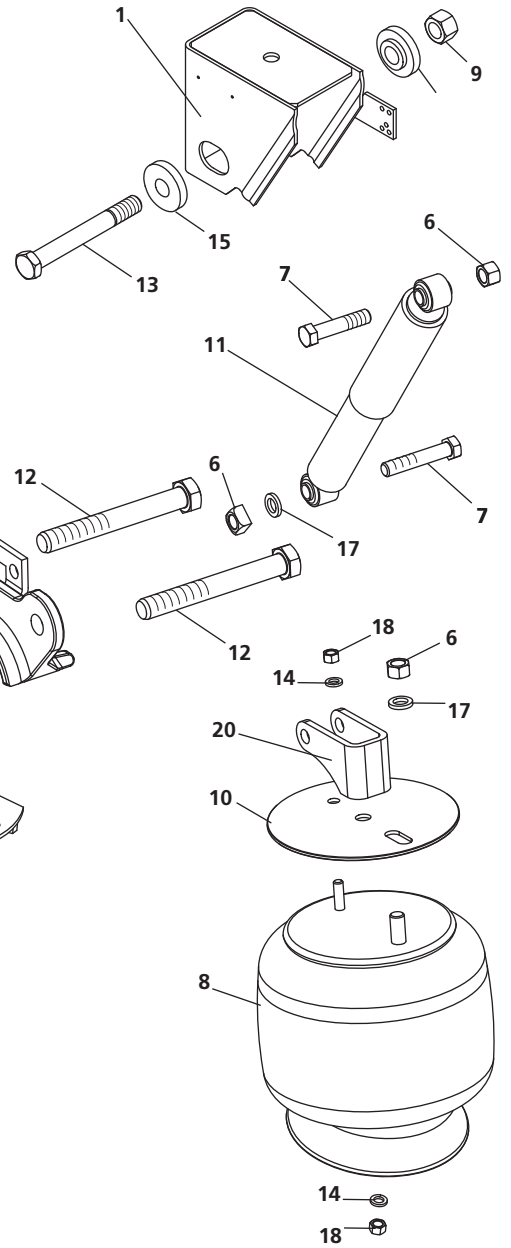
- * 900 36 175 and 900 36 177 washers.
- ~ Replacement kit for 905 01 224 axle adapter assy with 1" shock bolts.
- § Replacement kit for 905 01 225 axle adapter assy with 1" shock bolts.

RL230 Standard Suspension Exploded View

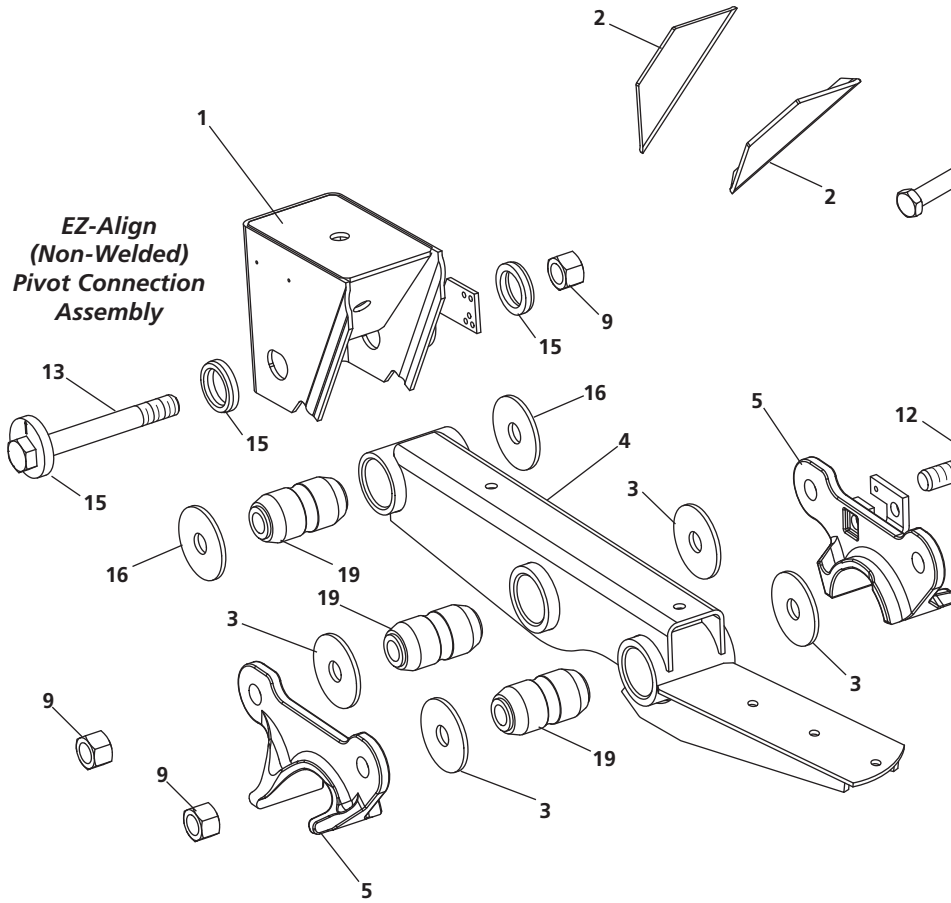


SAF-HOLLAND Group

Welded Alignment Pivot Connection Assembly



EZ-Align (Non-Welded) Pivot Connection Assembly



ITEM NO.	DESCRIPTION	RL-230-12-3	RL-230-14-3	RL-230-15-3	RL-230-16-3	RL-230-17-3	QTY.
1*	Frame Bracket (roadside - EZ-Align)	905 20 859	905 21 147	905 21 148	905 21 149	905 21 149	1
	Frame Bracket (Welded Alignment)	905 20 846	905 21 141	905 21 142	905 21 143	905 21 143	1
2	Angle Brace	900 25 157	900 25 157	900 25 157	900 23 002	900 23 002	4
3	1-1/8" Spacer Washer	900 36 217	900 36 217	900 36 217	900 36 217	900 36 217	8
4	Equalizing Beam (roadside)	905 16 999	905 16 999	905 16 999	905 16 999	905 16 999	1
	Equalizing Beam (curbside)	905 17 000	905 17 000	905 17 000	905 17 000	905 17 000	1
5	Axle Adapter (roadside-outboard)	900 01 341	900 01 341	900 01 341	900 01 341	900 01 341	1
	Axle Adapter (roadside-inboard)	905 01 462	905 01 462	905 01 462	905 01 462	905 01 462	1
5	Axle Adapter (curbside-outboard)	900 01 340	900 01 340	900 01 340	900 01 340	900 01 340	1
	Axle Adapter (curbside-inboard)	905 01 463	905 01 463	905 01 463	905 01 463	905 01 463	1
6	3/4"-10 Hex Nut (top of air spring)	934 00 149	934 00 149	934 00 149	934 00 149	934 00 149	2
	3/4"-10 Hex Nut (upper shock lock nut)	934 00 492	934 00 492	934 00 492	934 00 492	934 00 492	2
	3/4"-10 Square Nut (for lower shock bolt)	934 00 367	934 00 367	934 00 367	934 00 367	934 00 367	2
	3/4"-10x3 1/2" Bolt	930 03 597	930 03 597	930 03 597	930 03 597	930 03 597	2
7	3/4"-10x4" Bolt (lower shock bolt)	930 03 609	930 03 609	930 03 609	930 03 609	930 03 609	2
	Air Spring	905 57 223	905 57 117	905 57 118	905 57 118	905 57 119	2
9	1-1/8" Lock Nut	934 00 506	934 00 506	934 00 506	934 00 506	934 00 506	6
10	Air Spring Mtg Plate (ASMP)	900 33 785	900 33 785	900 33 785	900 33 785	900 33 785	2
	Upper ASMP & shk Brkt (roadside)	-	905 31 320	905 31 320	905 31 320	-	1
	Upper ASMP & shk Brkt (curbside)	-	905 31 321	905 31 321	905 31 321	-	1
11	Shock Absorber	900 45 381	900 44 642	900 44 642	900 44 089	900 44 089	2
12	1-1/8" Bolt	932 01 051	932 01 051	932 01 051	932 01 051	932 01 051	4
13	1-1/8" Pivot Bolt (Welded Alignment)	932 01 055	932 01 069	932 01 069	932 01 069	932 01 069	1
	1-1/8" Pivot Bolt (EZ-Align)	905 08 019	905 08 019	905 08 019	905 08 019	905 08 019	1*
14	1/2" Lock Washer	936 00 072	936 00 072	936 00 072	936 00 072	936 00 072	4
15	Alignment Block (Welded Alignment)	900 08 147	900 08 198	900 08 198	900 08 198	900 08 198	2
	Alignment Block (EZ-Align)	900 08 238	900 08 238	900 08 238	900 08 238	900 08 238	1*
16	Pivot Washer, 1.14" dia.	900 36 177	900 36 177	900 36 177	900 36 177	900 36 177	4
17	3/4" Lock Washer	936 00 077	936 00 077	936 00 077	936 00 077	936 00 077	4
18	1/2"-13 Nut	934 00 136	934 00 136	934 00 136	934 00 136	934 00 136	4
19**	Pivot and Axle Bushing	900 08 149	900 08 149	900 08 149	900 08 149	900 08 149	6
20	Upper Shock Bracket	900 18 445	900 18 445	900 18 445	900 18 445	900 18 445	2

* If both frame brackets require EZ-Align, order 2.

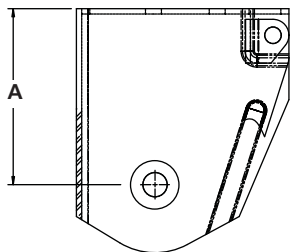
** Replacement components should be purchased in bushing connection SRK kits listed below.

Pivot Connection Kits

DESCRIPTION	SRK NO.	PART NO.	APPLICATION
1 EZ-Align	SRK-525	481 00 389	1 Kit Req. per Axle
1 Welded Alignment			
2 EZ-Align	SRK-521	481 00 385	1 Kit Req. per Axle

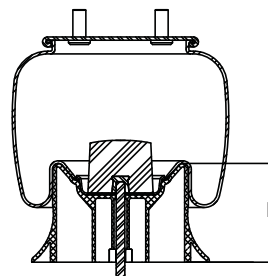
Axle Connection Kit

SRK NO.	PART NO.	APPLICATION
SRK-265	481 00 328	1 Kit Req. per Axle



Frame Bracket

"A" DIM	PART NO.
5.06"	905 20 859
7.06"	905 21 147
8.06"	905 21 148
10.44"	905 21 149



Air Spring

"B" DIM	PART NO.
2.83"	905 57 223
4.75"	905 57 117
5.70"	905 57 118
7.40"	905 57 119

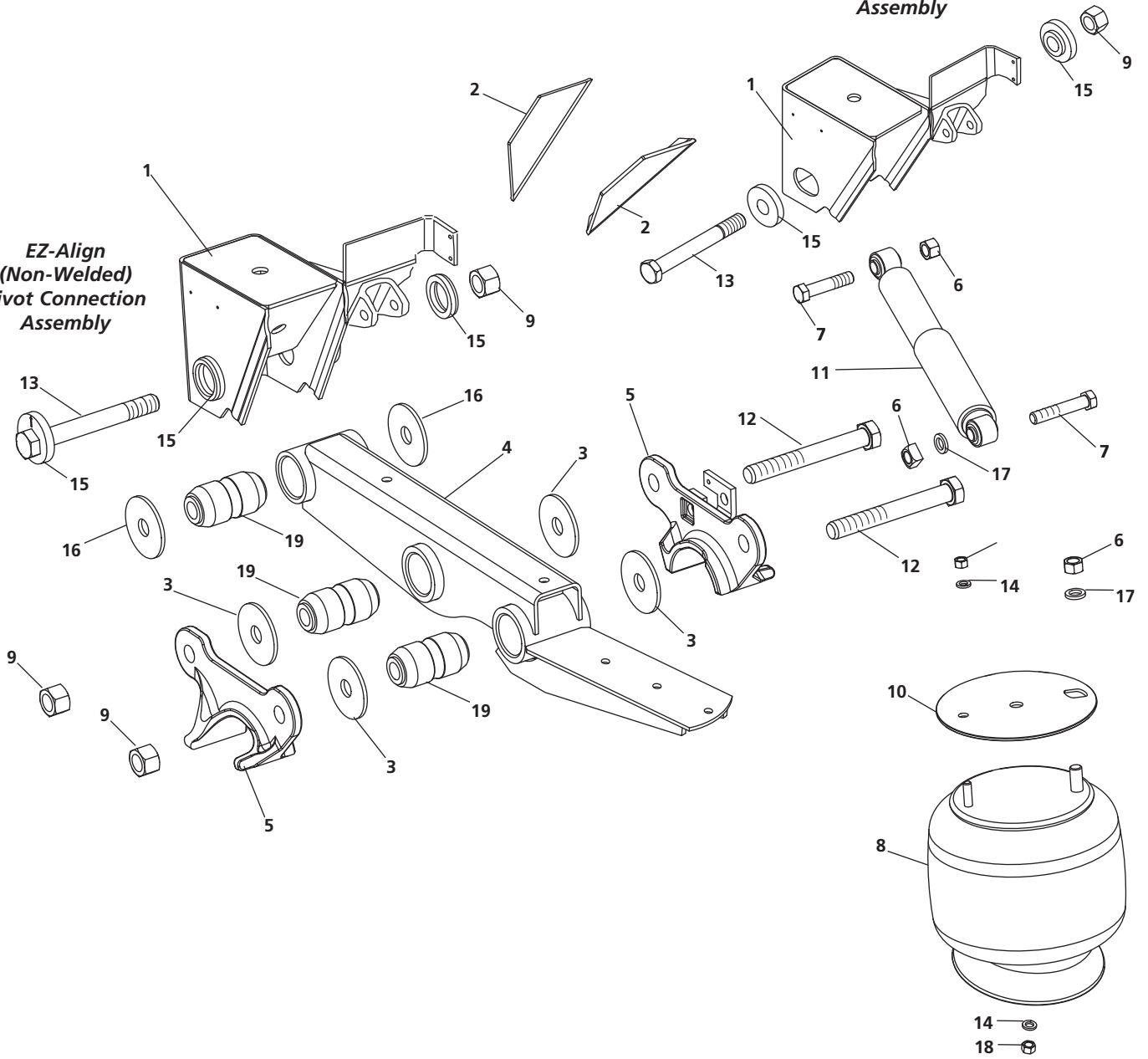
RL230 Hanger Mounted Shock Suspension Exploded View



SAF-HOLLAND Group

Welded Alignment Pivot Connection Assembly

EZ-Align (Non-Welded) Pivot Connection Assembly





SAF-HOLLAND Group

RL230 Hanger Mounted Shock Suspension Parts List

ITEM NO.	DESCRIPTION	RL-230-14-3	RL-230-15-4	RL-230-16-4	RL-230-17-4	QTY.
1*	Frame Bracket (roadside - EZ-Align) HMS	905 21 325	905 21 327	905 21 377	905 21 377	1
	Frame Bracket (curbside - EZ-Align) HMS	905 21 326	905 21 328	905 21 378	905 21 378	1
	Frame Bracket (curbside - Welded Alignment) HMS	905 21 331	905 21 331	905 21 379	905 21 379	1
2	Angle Brace	900 25 157	900 25 157	900 23 002	900 23 002	4
3	1-1/8" Spacer Washer	900 36 217	900 36 217	900 36 217	900 36 217	8
4	Equalizing Beam (roadside)	905 16 999	905 16 999	905 16 999	905 16 999	1
	Equalizing Beam (curbside)	905 17 000	905 17 000	905 17 000	905 17 000	1
5	Axle Adapter (roadside-outboard) HMS	900 01 341	900 01 341	900 01 341	900 01 341	1
	Axle Adapter (roadside-inboard) HMS	905 01 426	905 01 426	905 01 426	905 01 426	1
5	Axle Adapter (curbside-outboard) HMS	900 01 340	900 01 340	900 01 340	900 01 340	1
	Axle Adapter (curbside-inboard) HMS	905 01 425	905 01 425	905 01 425	905 01 425	1
6	3/4"-10 Hex Nut (top of air spring)	934 00 149	934 00 149	934 00 149	934 00 149	2
	3/4"-10 Hex Nut (upper shock lock nut)	934 00 492	934 00 492	934 00 492	934 00 492	4
7	3/4"-10x3 1/2" Bolt	930 03 597	930 03 597	930 03 597	930 03 597	2
	3/4"-10x4" Bolt (for lower shock bolt)	930 03 609	930 03 609	930 03 609	930 03 609	2
8	Air Spring	905 57 117	905 57 117	905 57 117	905 57 118	2
9	1-1/8" Lock Nut	934 00 506	934 00 506	934 00 506	934 00 506	6
10	Air Spring Mtg Plate (ASMP)	900 33 785	900 33 785	900 33 785	900 33 785	2
11	Shock Absorber	900 45 381	900 45 381	900 45 299	900 45 040	2
12	1-1/8" Bolt	932 01 051	932 01 051	932 01 051	932 01 051	4
13	1-1/8" Pivot Bolt (Welded Alignment)	932 01 069	932 01 069	932 01 069	932 01 069	2
	1-1/8" Pivot Bolt (EZ-Align)	905 08 019	905 08 019	90 508 019	905 08 019	1*
14	1/2" Washer	936 00 072	936 00 072	936 00 072	936 00 072	4
15	Alignment Block (Welded Alignment)	900 08 198	900 08 198	900 08 198	900 08 198	2
	Alignment Block (EZ-Align)	900 08 238	900 08 238	900 08 238	900 08 238	1*
16	Pivot Washer, 1.14" dia.	900 36 177	900 36 177	900 36 177	900 36 177	4
17	3/4" Washer	936 00 077	936 00 077	936 00 077	936 00 077	2
18	1/2"-13 Nut	934 00 136	934 00 136	934 00 136	934 00 136	4
19**	Pivot and Axle Bushings	900 08 149	900 08 149	900 08 149	900 08 149	6

* If both frame brackets require EZ-Align, order 2.

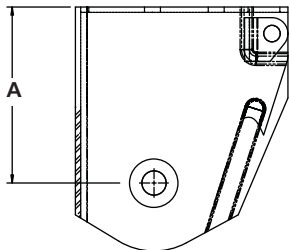
** Replacement components should be purchased in bushing connection SRK kits listed below.

Pivot Connection Kits

DESCRIPTION	SRK NO.	PART NO.	APPLICATION
1 EZ-Align 1 Welded Alignment	SRK-525	481 00 389	1 Kit Req. per Axle
2 EZ-Align	SRK-521	481 00 385	1 Kit Req. per Axle

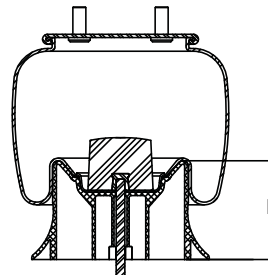
Axle Connection Kit

SRK NO.	PART NO.	APPLICATION
SRK-265	481 00 328	1 Kit Req. per Axle



Frame Bracket

"A" DIM	PART NO.
7.06"	905 21 325
8.06"	905 21 327
10.44"	905 21 377



Air Spring

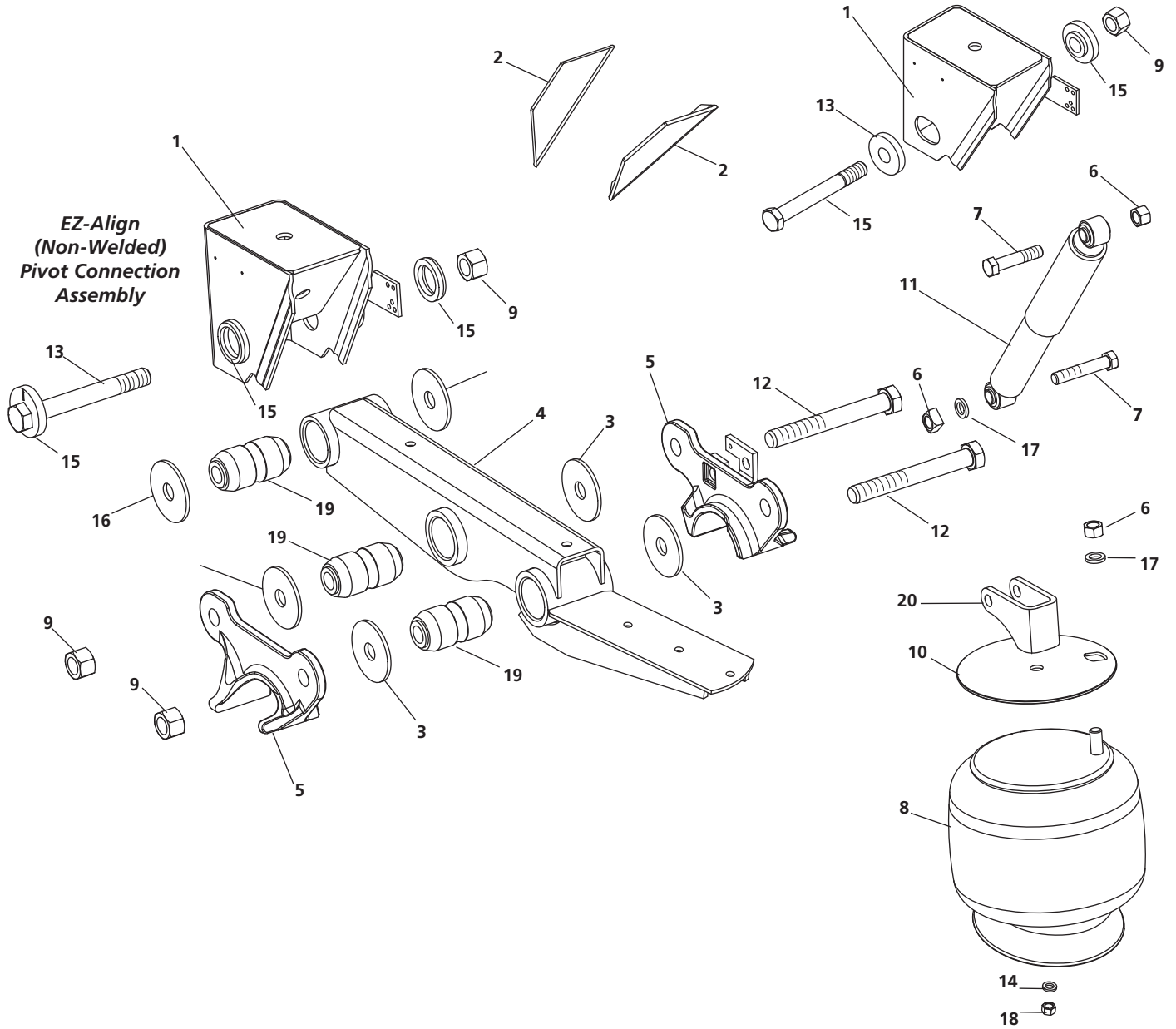
"B" DIM	PART NO.
4.75"	905 57 117
5.70"	905 57 118

RL230 Single Stud Air Spring Suspension Exploded View



SAF-HOLLAND Group

Welded Alignment Pivot Connection Assembly





SAF-HOLLAND Group

RL230 Single Stud Air Spring Suspension Parts List

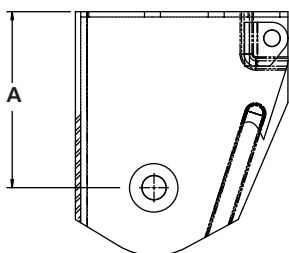
ITEM NO.	DESCRIPTION	RL-230-14-3	RL-230-15-4	RL-230-16-4	RL-230-17-4	QTY.
1*	Frame Bracket (roadside - EZ-Align)	905 21 147	905 21 148	905 21 149	905 21 149	1
	Frame Bracket (curbside - Welded Alignment)	905 21 141	905 21 142	905 21 143	905 21 143	1
2	Angle Brace	900 25 157	900 25 157	900 23 002	900 23 002	4
3	1-1/8" Spacer Washer	900 36 217	900 36 217	900 36 217	900 36 217	8
4	Equalizing Beam (roadside)	905 16 999	905 16 999	905 16 999	905 16 999	1
	Equalizing Beam (curbside)	905 17 000	905 17 000	905 17 000	905 17 000	1
5	Axle Adapter (curbside-outboard)	900 01 340	900 01 340	900 01 340	900 01 340	1
	Axle Adapter (roadside-inboard)	905 01 462	905 01 462	905 01 462	905 01 462	1
5	Axle Adapter (roadside-outboard)	900 01 341	900 01 341	900 01 341	900 01 341	1
	Axle Adapter (curbside-inboard)	905 01 463	905 01 463	905 01 463	905 01 463	1
6	3/4"-10 Hex Nut (top of air spring)	934 00 149	934 00 149	934 00 149	934 00 149	2
	3/4"-10 Hex Nut (upper shock lock nut)	934 00 492	934 00 492	934 00 492	934 00 492	2
	3/4"-10 Square Nut (for lower shock bolt)	934 00 367	934 00 367	934 00 367	934 00 367	2
7	3/4"-10x3 1/2" Bolt	930 03 597	930 03 597	930 03 597	930 03 597	2
	3/4"-10x4" Bolt (for lower shock bolt)	930 03 609	930 03 609	930 03 609	930 03 609	2
8	Air Spring (SS)	905 57 156	905 57 156	905 57 156	905 57 157	2
9	1-1/8" Lock Nut	934 00 506	934 00 506	934 00 506	934 00 506	6
10	Air Spring Mtg Plate (ASMP)	900 33 785	900 33 785	900 33 785	900 33 785	2
	Upper ASMP & shk Brkt (roadside) SS	905 31 322	905 31 322	905 31 322	905 31 322	1
	Upper ASMP & shk Brkt (curbside) SS	905 31 323	905 31 323	905 31 323	905 31 323	1
11	Shock Absorber	900 44 642	900 44 642	900 44 642	900 44 089	2
12	1-1/8" Bolt	932 01 051	932 01 051	932 01 051	932 01 051	4
13	1-1/8" Pivot Bolt (Welded Alignment)	932 01 069	932 01 069	932 01 069	932 01 069	1
	1-1/8" Pivot Bolt (EZ-Align)	905 08 019	905 08 019	905 08 019	905 08 019	1*
14	1/2" Washer	936 00 072	936 00 072	936 00 072	936 00 072	4
15	Alignment Block (Welded Alignment)	900 08 198	900 08 198	900 08 198	900 08 198	2
	Alignment Block (EZ-Align)	900 08 238	900 08 238	900 08 238	900 08 238	1*
16	Pivot Washer, 1.14" dia.	900 36 177	900 36 177	900 36 177	900 36 177	4
17	3/4" Washer	936 00 077	936 00 077	936 00 077	936 00 077	4
18	1/2"-13 Nut	934 00 136	934 00 136	934 00 136	934 00 136	4
19**	Pivot and Axle Bushing	900 08 149	900 08 149	900 08 149	900 08 149	6
20	Upper Shock Bracket	900 18 445	900 18 445	900 18 445	900 18 445	2

Pivot Connection Kits

DESCRIPTION	SRK NO.	PART NO.	APPLICATION
1 EZ-Align 1 Welded Alignment	SRK-525	481 00 389	1 Kit Req. per Axle
2 EZ-Align	SRK-521	481 00 385	1 Kit Req. per Axle

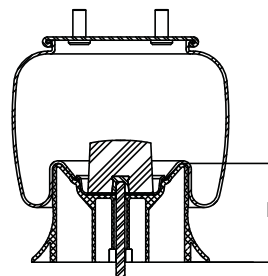
Axle Connection Kit

SRK NO.	PART NO.	APPLICATION
SRK-265	481 00 328	1 Kit Req. per Axle



Frame Bracket

"A" DIM	PART NO.
7.06"	905 21 147
8.06"	905 21 148
10.44"	905 21 149



Air Spring

"B" DIM	PART NO.
4.75"	905 57 156
5.70"	905 57 157

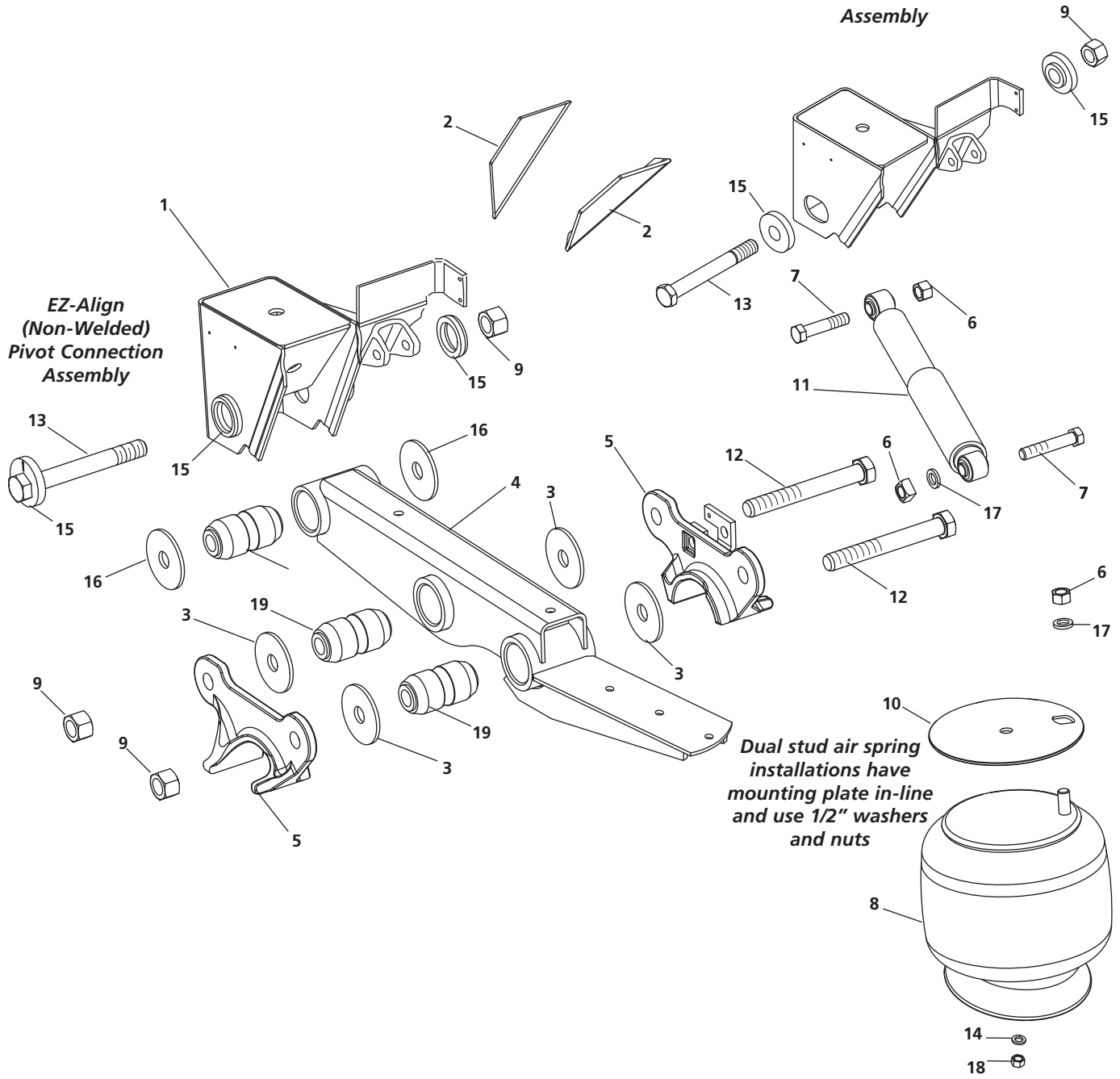
RL230 Single Stud Air Spring, Hanger Mounted Shock Suspension Exploded View



SAF-HOLLAND Group

Welded Alignment Pivot Connection Assembly

EZ-Align (Non-Welded) Pivot Connection Assembly





SAF-HOLLAND Group

RL230 Single Stud Air Spring, Hanger Mounted Shock Suspension Parts List

ITEM NO.	DESCRIPTION	RL-230-14-3	RL-230-15-4	RL-230-16-4	RL-230-17-4	QTY.
1*	Frame Bracket (roadside - EZ-Align) HMS	905 21 325	905 21 327	905 21 377	905 21 377	1
	Frame Bracket (curbside - EZ-Align) HMS	905 21 326	905 21 328	905 21 378	905 21 378	1
	Frame Bracket (curbside - Welded Alignment) HMS	905 21 331	905 21 331	905 21 379	905 21 379	1
2	Angle Brace	900 25 157	900 25 157	900 23 002	900 23 002	4
3	1-1/8" Spacer Washer	900 36 217	900 36 217	900 36 217	900 36 217	8
4	Equalizing Beam (roadside)	905 16 999	905 16 999	905 16 999	905 16 999	1
	Equalizing Beam (curbside)	905 17 000	905 17 000	905 17 000	905 17 000	1
5	Axle Adapter (roadside-outboard) HMS	900 01 341	900 01 341	900 01 341	900 01 341	1
	Axle Adapter (roadside-inboard) HMS	905 01 426	905 01 426	905 01 426	905 01 426	1
5	Axle Adapter (curbside-outboard) HMS	900 01 340	900 01 340	900 01 340	900 01 340	1
	Axle Adapter (curbside-inboard) HMS	905 01 425	905 01 425	905 01 425	905 01 425	1
6	3/4"-10 Hex Nut (top of air spring)	934 00 149	934 00 149	934 00 149	934 00 149	2
	3/4"-10 Hex Nut (upper shock lock nut)	934 00 492	934 00 492	934 00 492	934 00 492	4
7	3/4"-10x3 1/2" Bolt	930 03 597	930 03 597	930 03 597	930 03 597	2
	3/4"-10x4" Bolt (for lower shock bolt)	930 03 609	930 03 609	930 03 609	930 03 609	2
8	Air Spring	905 57 156	905 57 156	905 57 156	905 57 157	2
9	1-1/8" Lock Nut	934 00 506	934 00 506	934 00 506	934 00 506	6
10	Air Spring Mtg Plate (ASMP)	900 33 785	900 33 785	900 33 785	900 33 785	2
11	Shock Absorber	900 45 381	900 45 381	900 45 299	900 45 040	2
12	1-1/8" Bolt	932 01 051	932 01 051	932 01 051	932 01 051	4
13	1-1/8" Pivot Bolt (Welded Alignment)	932 01 069	932 01 069	932 01 069	932 01 069	1
	1-1/8" Pivot Bolt (EZ-Align)	905 08 019	905 08 019	905 08 019	905 08 019	1*
14	1/2" Washer	936 00 072	936 00 072	936 00 072	936 00 072	4
15	Alignment Block (Welded Alignment)	900 08 198	900 08 198	900 08 198	900 08 198	2
	Alignment Block (EZ-Align)	900 08 238	900 08 238	900 08 238	900 08 238	1*
16	Pivot Washer, 1.14" dia.	900 36 177	900 36 177	900 36 177	900 36 177	4
17	3/4" Washer	936 00 077	936 00 077	936 00 077	936 00 077	2
18	1/2"-13 Nut	934 00 136	934 00 136	934 00 136	934 00 136	4
19**	Pivot and Axle Bushing	900 08 149	900 08 149	900 08 149	900 08 149	6

* If both frame brackets require EZ-Align, order 2.

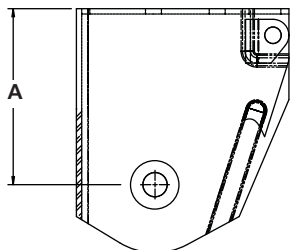
** Replacement components should be purchased in bushing connection SRK kits listed below.

Pivot Connection Kits

DESCRIPTION	SRK NO.	PART NO.	APPLICATION
1 EZ-Align	SRK-525	481 00 389	1 Kit Req. per Axle
1 Welded Alignment			
2 EZ-Align	SRK-521	481 00 385	1 Kit Req. per Axle

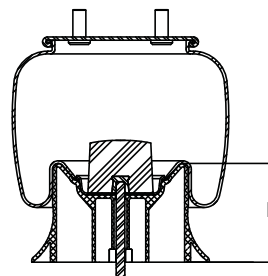
Axle Connection Kit

SRK NO.	PART NO.	APPLICATION
SRK-265	481 00 328	1 Kit Req. per Axle



Frame Bracket

"A" DIM	PART NO.
7.06"	905 21 325
8.06"	905 21 327
10.44"	905 21 377



Air Spring

"B" DIM	PART NO.
4.75"	905 57 156
5.70"	905 57 157

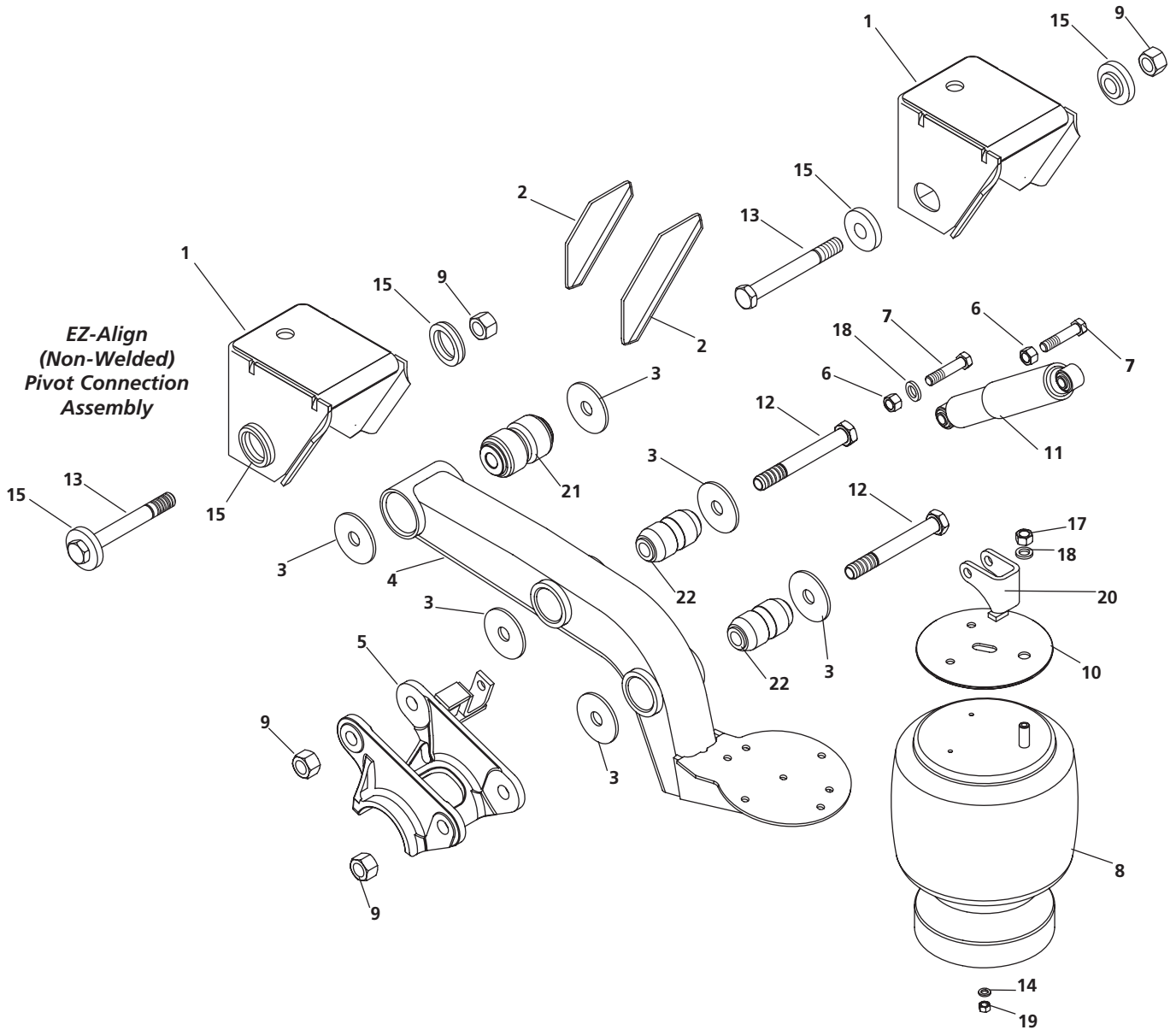
RL250 Standard Suspension Exploded View



SAF-HOLLAND Group

Welded Alignment Pivot Connection Assembly

EZ-Align (Non-Welded) Pivot Connection Assembly



ITEM NO.	DESCRIPTION	RL-250-14.0	RL-250-15.0	RL-250-16.0	RL-250-17.0	QTY.
1	Frame Bracket (roadside - EZ-Align)	905 21 151	905 21 151	905 21 152	905 21 152	1
	Frame Bracket (curbside - EZ-Align)	905 21 151	905 21 151	905 21 152	905 21 152	1
	Frame Bracket (roadside - Welded Alignment)	905 21 145	905 21 145	905 21 146	905 21 146	1
	Frame Bracket (curbside - Welded Alignment)	905 21 145	905 21 145	905 21 146	905 21 146	1
2	Angle Brace	900 23 002	900 23 002	900 23 001	900 23 001	4
	1-1/8" Spacer Washer	900 36 177	900 36 177	900 36 177	900 36 177	12
4	Equalizing Beam (roadside)	905 16 587	905 16 587	905 16 587	905 16 587	1
	Equalizing Beam (curbside)	905 16 588	905 16 588	905 16 588	905 16 588	1
5	Axle Adapter (roadside)	905 01 289	905 01 289	905 01 289	905 01 289	1
	Axle Adapter (curbside)	905 01 290	905 01 290	905 01 290	905 01 290	1
6	3/4"-10 Hex Nut (upper shock lock nut)	934 00 492	934 00 492	934 00 492	934 00 492	2
	3/4"-10 Square Nut (for lower shock bolt)	934 00 367	934 00 367	934 00 367	934 00 367	2
7	3/4"-10x3 1/2" Bolt	930 03 597	930 03 597	930 03 597	930 03 597	2
	3/4"-10x4" Bolt (lower shock bolt)	930 03 609	930 03 609	930 03 609	930 03 609	2
8	Air Spring	905 57 167	905 57 167	905 57 168	905 57 168	2
9	1 1/8" Lock Nut	934 00 506	934 00 506	934 00 506	934 00 506	6
10	Air Spring Mtg Plate	900 33 785	900 33 785	900 33 785	900 33 785	2
	Upper ASMP & shk Brkt (roadside)	905 31 262	905 31 262	905 31 262	905 31 262	1
	Upper ASMP & shk Brkt (curbside)	905 31 263	905 31 263	905 31 263	905 31 263	1
11	Shock Absorber	900 44 642	900 44 642	900 44 089	900 44 089	2
	1-1/8" Bolt	932 01 051	932 01 051	932 01 051	932 01 051	4
13	1-1/8" Pivot Bolt (Welded Alignment)	932 01 069	932 01 069	932 01 069	932 01 069	2
	1-1/8" Pivot Bolt (EZ-Align)	905 08 019	905 08 019	905 08 019	905 08 019	2
14	1/2" Washer	936 00 072	936 00 072	936 00 072	936 00 072	4
	Alignment Block (Welded Alignment)	900 08 198	900 08 198	900 08 198	900 08 198	2
15	Alignment Block (EZ-Align)	900 08 238	900 08 238	900 08 238	900 08 238	2
	3/4"-10 Hex Nut (top of air spring)	934 00 149	934 00 149	934 00 149	934 00 149	2
18	3/4" Washer	936 00 077	936 00 077	936 00 077	936 00 077	4
19	1/2"-13 Nut	934 00 136	934 00 136	934 00 136	934 00 136	4
20	Upper Shock Bracket	900 18 515	900 18 515	900 18 515	900 18 515	2
21*	Pivot Bushing	900 08 139	900 08 139	900 08 139	900 08 139	2
22*	Axle Bushing	900 08 149	900 08 149	900 08 149	900 08 149	4

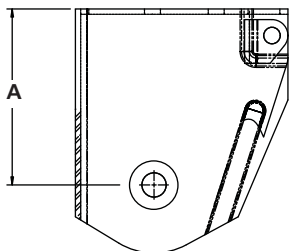
* Replacement components should be purchased in bushing connection SRK kits listed below.

Pivot Connection Kits

DESCRIPTION	SRK NO.	PART NO.	APPLICATION
1 EZ-Align	SRK-519	481 00 383	1 Kit Req. per Axle
2 EZ-Align	SRK-522	481 00 386	1 Kit Req. per Axle

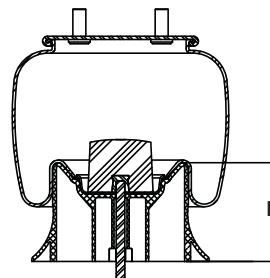
Axle Connection Kit

SRK NO.	PART NO.	APPLICATION
SRK-149	481 00 206	1 Kit Req. per Axle



Frame Bracket

"A" DIM	PART NO.
8.06"	905 21 151
10.44"	905 21 152



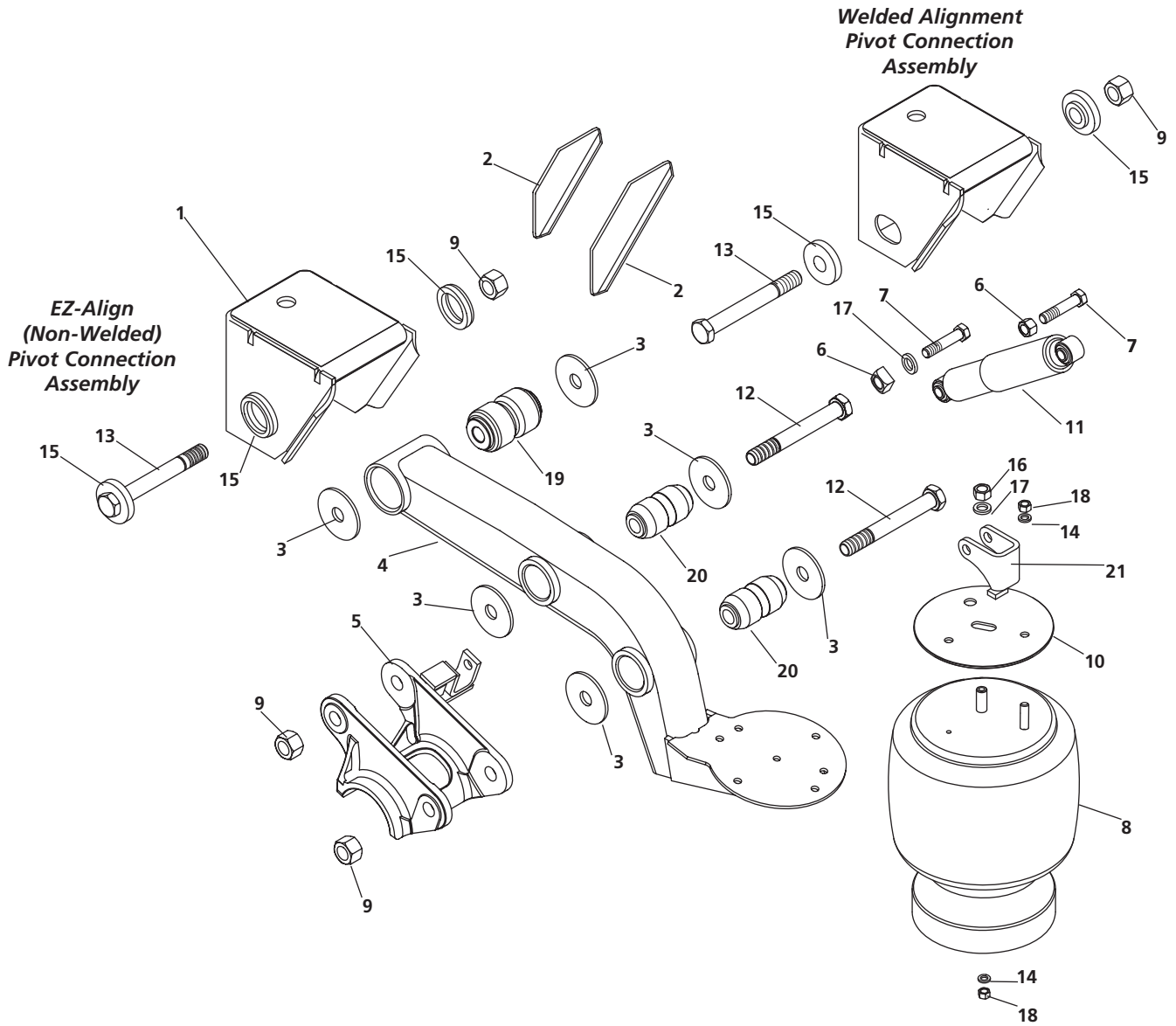
Air Spring

"B" DIM	PART NO.
5.70"	905 57 167
7.58"	905 57 168

RL250 Shock Below Frame Suspension Exploded View



SAF-HOLLAND Group





SAF-HOLLAND Group

RL250 Shock Below Frame Suspension Parts List

ITEM NO.	DESCRIPTION	RL-250-14-3	RL-250-15-4	RL-250-16-4	RL-250-17-4	QTY.
1	Frame Bracket (roadside) EZ SBF	905 21 150	905 21 151	905 21 152	905 21 152	1
	Frame Bracket (curbside) EZ SBF	905 21 150	905 21 151	905 21 152	905 21 152	1
	Frame Bracket (curbside) WA SBF	905 21 144	905 21 145	905 21 146	905 21 146	1
2	Angle Brace	900 23 002	900 23 002	900 23 001	900 23 001	4
3	1-1/8" Spacer Washer	900 36 177	900 36 177	900 36 177	900 36 177	12
4	Equalizing Beam (roadside)	905 16 587	905 16 587	905 16 587	905 16 587	1
	Equalizing Beam (curbside)	905 16 588	905 16 588	905 16 588	905 16 588	1
5	Axle Adapter (roadside)	905 01 289	905 01 289	905 01 289	905 01 289	1
	Axle Adapter (curbside)	905 01 290	905 01 290	905 01 290	905 01 290	1
6	3/4"-10 Hex Nut	934 00 492	934 00 492	934 00 492	934 00 492	2
	3/4"-10 Square Nut (for lower shock bolt)	934 00 367	934 00 367	934 00 367	934 00 367	2
7	3/4"-10x3 1/2" Bolt	930 03 597	930 03 597	930 03 597	930 03 597	2
	3/4"-10x4" Bolt (lower shock bolt)	930 03 609	930 03 609	930 03 609	930 03 609	2
8	Air Spring SBF	905 57 167	905 57 167	905 57 167	905 57 167	2
9	1-1/8" Lock Nut	934 00 506	934 00 506	934 00 506	934 00 506	6
10	Air Spring Mtg Plate	900 33 785	900 33 785	900 33 785	900 33 785	2
	Upper ASMP & shk Brkt RS SBF	905 44 830	905 44 830	905 31 331	905 31 331	1
	Upper ASMP & shk Brkt CS SBF	905 44 831	905 44 831	905 31 330	905 31 330	1
11	Shock Absorber SBF	900 45 040	900 45 040	900 45 299	900 45 299	2
12	1-1/8" Bolt	932 01 051	932 01 051	932 01 051	932 01 051	4
13	1-1/8" Pivot Bolt (Welded Alignment)	932 01 069	932 01 069	932 01 069	932 01 069	2
	1-1/8" Pivot Bolt (EZ-Align)	905 08 019	905 08 019	905 08 019	905 08 019	2
14	1/2" Washer	936 00 072	936 00 072	936 00 072	936 00 072	4
15	Alignment Block (Welded Alignment)	900 08 198	900 08 198	900 08 198	900 08 198	2
	Alignment Block (EZ-Align)	900 08 238	900 08 238	900 08 238	900 08 238	2
16	3/4"-10 Hex Nut (top of air spring)	934 00 149	934 00 149	934 00 149	934 00 149	2
17	3/4" Washer	936 00 077	936 00 077	936 00 077	936 00 077	4
18	1/2"-13 Nut	934 00 136	934 00 136	934 00 136	934 00 136	2
19*	Pivot Bushing	900 08 139	900 08 139	900 08 139	900 08 139	1
20*	Axle Bushing	900 08 149	900 08 149	900 08 149	900 08 149	2
21	Upper Shock Bracket	900 18 445	900 18 445	900 18 445	900 18 445	2
22	Tube 3"x3"x0.25"x12" (not shown)	900 38 312	900 38 312	900 38 312	900 38 312	1

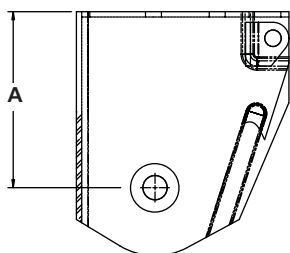
* Replacement components should be purchased in bushing connection SRK kits listed below.

Pivot Connection Kits

DESCRIPTION	SRK NO.	PART NO.	APPLICATION
1 EZ-Align	SRK-519	481 00 383	1 Kit Req. per Axle
2 EZ-Align	SRK-522	481 00 386	1 Kit Req. per Axle

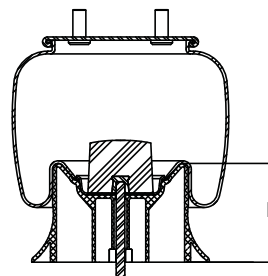
Axle Connection Kit

SRK NO.	PART NO.	APPLICATION
SRK-149	481 00 206	1 Kit Req. per Axle



Frame Bracket

"A" DIM	PART NO.
7.06"	905 21 150
8.06"	905 21 151
10.44"	905 21 152



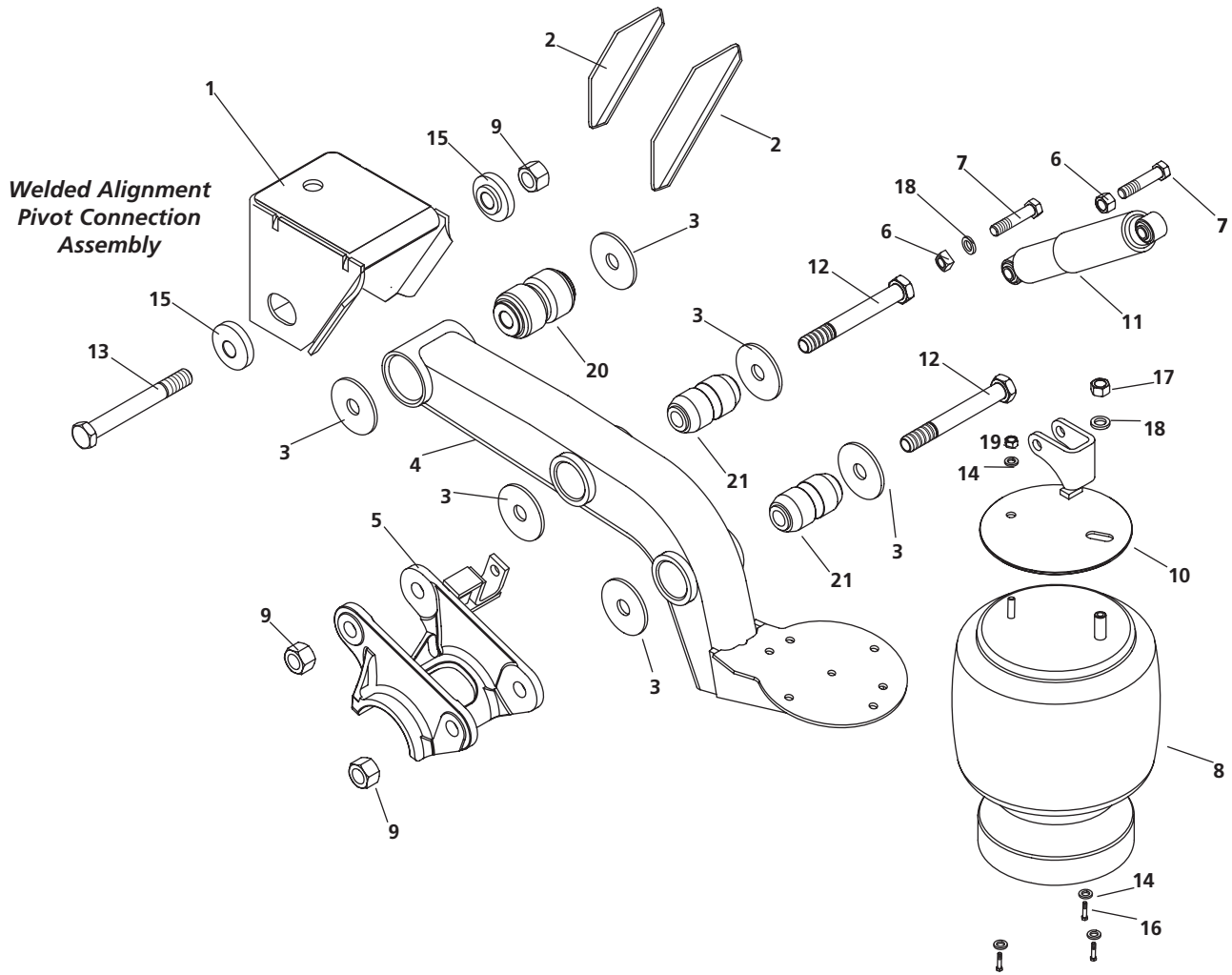
Air Spring

"B" DIM	PART NO.
5.70"	905 57 167

RL300 Standard Suspension Exploded View



SAF-HOLLAND Group



ITEM NO.	DESCRIPTION	RL-300-12	RL-300-13	RL-300-14	RL-300-15	RL-300-16	RL-300-17	QTY.
1	Frame Bracket (roadside - Welded Alignment)	905 20 383	905 20 383	905 21 144	905 21 145	905 21 146	905 21 146	1
	Frame Bracket (curbside - Welded Alignment)	905 20 383	905 20 383	905 21 144	905 21 145	905 21 146	905 21 146	1
2	Angle Brace	900 25 157	900 25 157	900 23 002	900 23 002	900 23 001	900 23 001	4
3	1-1/8" Spacer Washer	900 36 177	900 36 177	900 36 177	900 36 177	900 36 177	900 36 177	12
4	Equalizing Beam (roadside)	905 16 949	905 16 949	905 16 949	905 16 949	905 16 949	905 16 949	1
	Equalizing Beam (curbside)	905 16 950	905 16 950	905 16 950	905 16 950	905 16 950	905 16 950	1
5	Axle Adapter (roadside)	905 01 289	905 01 289	905 01 289	905 01 289	905 01 289	905 01 289	1
	Axle Adapter (curbside)	905 01 290	905 01 290	905 01 290	905 01 290	905 01 290	905 01 290	1
6	3/4"-10 Hex Nut (upper shock lock nut)	934 00 492	934 00 492	934 00 492	934 00 492	934 00 492	934 00 492	2
	3/4"-10 Square Nut (for lower shock bolt)	934 00 367	934 00 367	934 00 367	934 00 367	934 00 367	934 00 367	2
7	3/4"-10x3 1/2" Bolt	930 03 597	930 03 597	930 03 597	930 03 597	930 03 597	930 03 597	2
	3/4"-10x4" Bolt (lower shock bolt)	930 03 609	930 03 609	930 03 609	930 03 609	930 03 609	930 03 609	2
8	Air Spring	905 57 259	905 57 259	905 57 185	905 57 185	905 57 260	905 57 260	2
9	1-1/8" Lock Nut	934 00 506	934 00 506	934 00 506	934 00 506	934 00 506	934 00 506	6
10	Upper Air Spring Mtg Plate & shk Brkt RS	905 31 316	905 31 316	905 31 306	905 31 306	905 31 326	905 31 326	1
	Upper Air Spring Mtg Plate & shk Brkt CS	905 31 317	905 31 317	905 31 307	905 31 307	905 31 327	905 31 327	1
11	Shock Absorber	900 45 054	900 45 054	900 45 338	900 45 338	900 45 338	900 45 338	2
12	1-1/8" Bolt	932 01 051	932 01 051	932 01 051	932 01 051	932 01 051	932 01 051	4
13	1-1/8" Pivot Bolt (Welded Alignment)	932 01 069	932 01 069	932 01 069	932 01 069	932 01 069	932 01 069	2
14	1/2" Washer	936 00 072	936 00 072	936 00 072	936 00 072	936 00 072	936 00 072	8
15	Alignment Block (Welded Alignment)	900 08 147	900 08 147	900 08 198	900 08 198	900 08 198	900 08 198	4
16	1/2"-13x1" Bolt	930 02 893	930 02 893	930 02 893	930 02 893	930 02 893	930 02 893	6
17	3/4"-10 Hex Nut (top of air spring)	934 00 149	934 00 149	934 00 149	934 00 149	934 00 149	934 00 149	2
18	3/4" Washer	936 00 077	936 00 077	936 00 077	936 00 077	936 00 077	936 00 077	4
19	1/2"-13 Nut	934 00 136	934 00 136	934 00 136	934 00 136	934 00 136	934 00 136	2
20*	Pivot Bushing	900 08 139	900 08 139	900 08 139	900 08 139	900 08 139	900 08 139	1
21*	Axle Bushing	900 08 149	900 08 149	900 08 149	900 08 149	900 08 149	900 08 149	2

* Replacement components should be purchased in bushing connection SRK kits listed below.

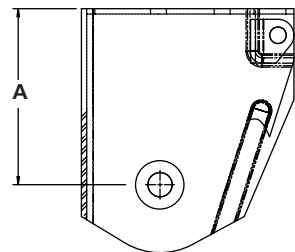
Pivot Connection Kits

DESCRIPTION	SRK NO.	PART NO.	APPLICATION
1 Welded Alignment**	SRK-524	481 00 388	1 Kit Req. per Axle

**without alignment collars.

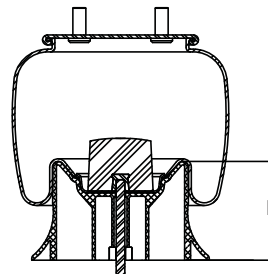
Axle Connection Kit

SRK NO.	PART NO.	APPLICATION
SRK-149	481 00 206	1 Kit Req. per Axle



Frame Bracket

"A" DIM	PART NO.
5.06"	905 20 383
7.25"	905 21 144
8.25"	905 21 145
10.59"	905 21 146



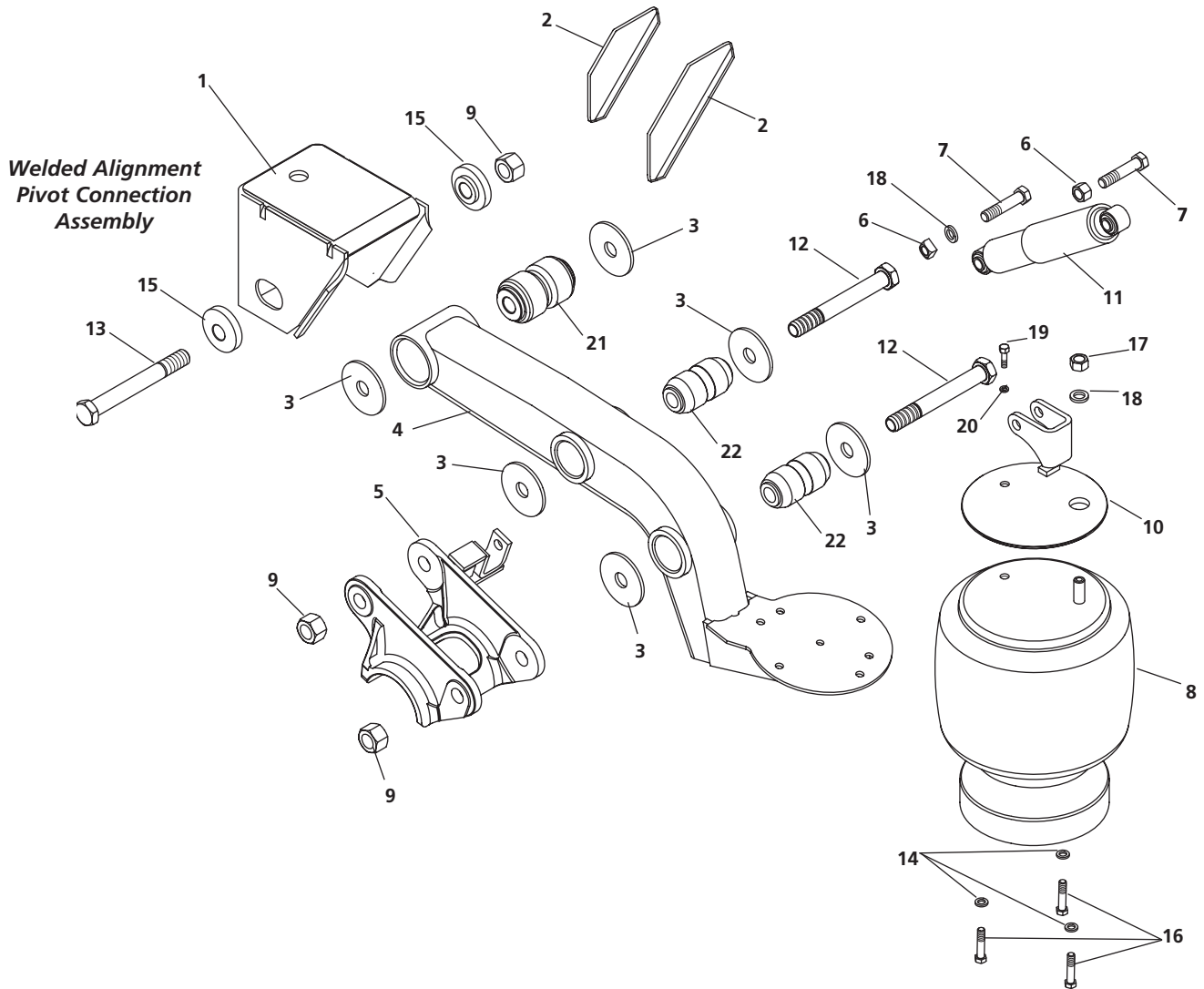
Air Spring

"B" DIM	PART NO.
5.50"	905 57 259
7.00"	905 57 260
7.00"	905 57 185

RL300 Offset Stud Air Spring Suspension Exploded View



SAF-HOLLAND Group





SAF-HOLLAND Group

RL300 Offset Stud Air Spring Suspension Parts List

ITEM NO.	DESCRIPTION	RL-300-13	RL-300-14	RL-300-15	RL-300-16	RL-300-17	QTY.
1	Frame Bracket (roadside - Welded Alignment)	905 20 383	905 21 144	905 21 145	905 21 146	905 21 146	1
	Frame Bracket (curbside - Welded Alignment)	905 20 383	905 21 144	905 21 145	905 21 146	905 21 146	1
2	Angle Brace	900 25 157	900 23 002	900 23 002	900 23 001	900 23 001	4
3	1-1/8" Spacer Washer	900 36 177	900 36 177	900 36 177	900 36 177	900 36 177	12
4	Equalizing Beam (roadside)	905 16 949	905 16 949	905 16 949	905 16 949	905 16 949	1
	Equalizing Beam (curbside)	905 16 950	905 16 950	905 16 950	905 16 950	905 16 950	1
5	Axle Adapter (roadside)	905 01 289	905 01 289	905 01 289	905 01 289	905 01 289	1
	Axle Adapter (curbside)	905 01 290	905 01 290	905 01 290	905 01 290	905 01 290	1
6	3/4"-10 Hex Nut (upper shock lock nut)	934 00 492	934 00 492	934 00 492	934 00 492	934 00 492	2
	3/4"-10 Square Nut (for lower shock bolt)	934 00 367	934 00 367	934 00 367	934 00 367	934 00 367	2
7	3/4"-10x3 1/2" Bolt	930 03 597	930 03 597	930 03 597	930 03 597	930 03 597	2
	3/4"-10x4" Bolt (lower shock bolt)	930 03 609	930 03 609	930 03 609	930 03 609	930 03 609	2
8	Firestone OFS Air Spring	905 57 283	905 57 283	905 57 283	905 57 283	905 57 283	2
9	1-1/8" Lock Nut	934 00 506	934 00 506	934 00 506	934 00 506	934 00 506	6
10	Upper Air Spring Mtg Plate & shk Brkt RS	905 31 316	905 31 316	905 31 316	905 31 328	905 31 328	1
	Upper Air Spring Mtg Plate & shk Brkt CS	905 31 317	905 31 317	905 31 317	905 31 329	905 31 329	1
11	Shock Absorber	900 45 054	900 45 338	900 45 338	900 45 338	900 45 338	2
12	1-1/8" Bolt	932 01 051	932 01 051	932 01 051	932 01 051	932 01 051	4
13	1-1/8" Pivot Bolt (Welded Alignment)	932 01 069	932 01 069	932 01 069	932 01 069	932 01 069	2
14	1/2" Washer	936 00 072	936 00 072	936 00 072	936 00 072	936 00 072	8
15	Alignment Block (Welded Alignment)	900 08 147	900 08 198	900 08 198	900 08 198	900 08 198	4
16	1/2"-13x1" Bolt	930 02 893	930 02 893	930 02 893	930 02 893	930 02 893	6
17	3/4"-10 Hex Nut (top of air spring)	934 00 149	934 00 149	934 00 149	934 00 149	934 00 149	2
18	3/4" Washer	936 00 077	936 00 077	936 00 077	936 00 077	936 00 077	4
19	3/8"-16 x 1" Grade 5 Bolt	930 02 571	930 02 571	930 02 571	930 02 571	930 02 571	4
20	.41" Lock Washer	936 00 069	936 00 069	936 00 069	936 00 069	936 00 069	4
21*	Pivot Bushing	900 08 139	900 08 139	900 08 139	900 08 139	900 08 139	1
22*	Axle Bushing	900 08 149	900 08 149	900 08 149	900 08 149	900 08 149	2

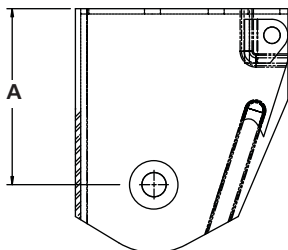
* Replacement components should be purchased in bushing connection SRK kits listed below.

Pivot Connection Kits

DESCRIPTION	SRK NO.	PART NO.	APPLICATION
1 Welded Alignment	SRK-524	481 00 388	1 Kit Req. per Axle

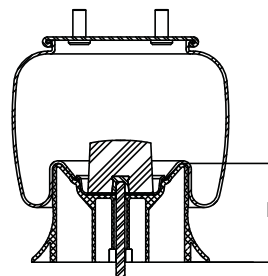
Axle Connection Kit

SRK NO.	PART NO.	APPLICATION
SRK-149	481 00 206	1 Kit Req. per Axle



Frame Bracket

"A" DIM	PART NO.
5.06"	905 20 383
7.25"	905 21 144
8.25"	905 21 145
10.59"	905 21 146



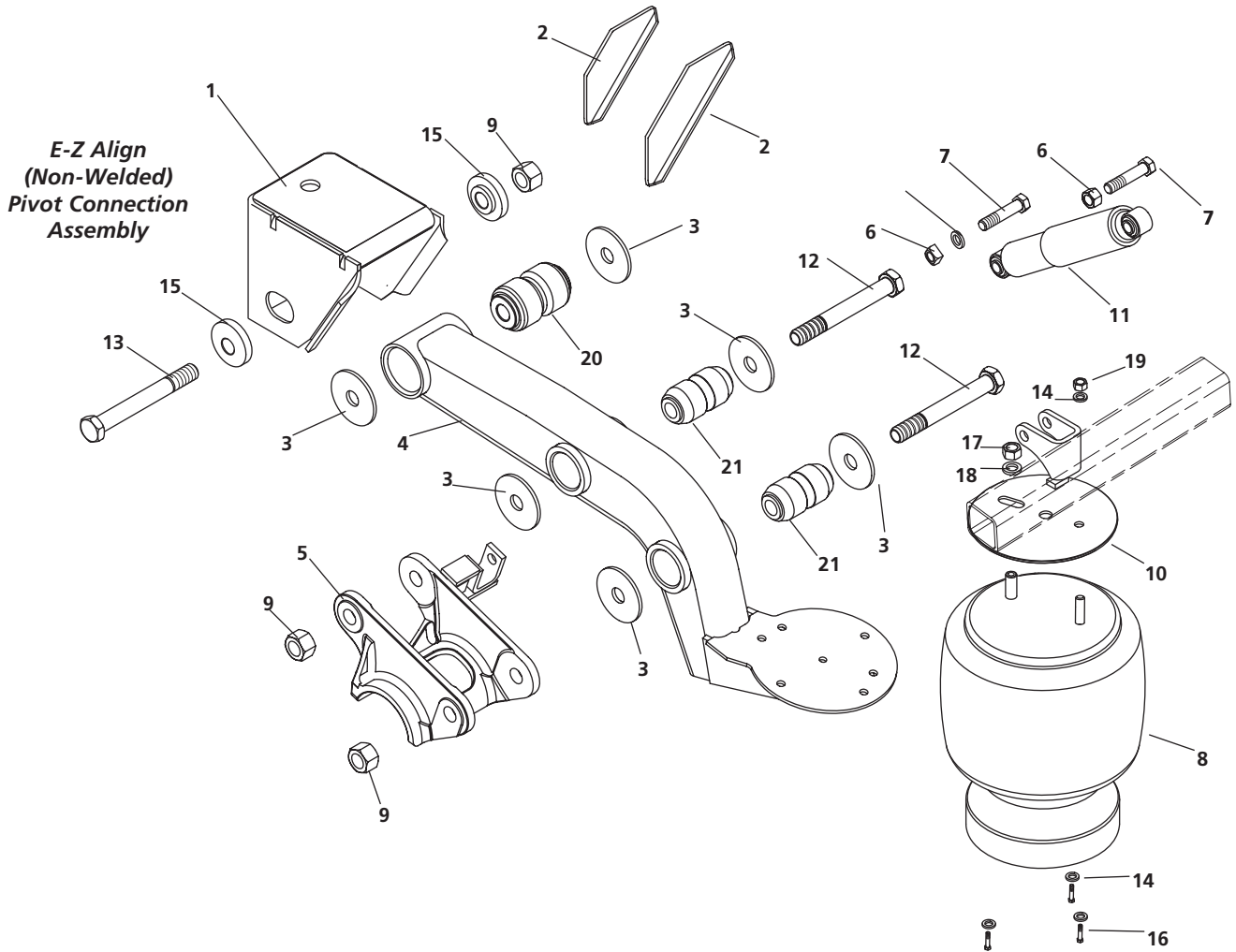
Air Spring

"B" DIM	PART NO.
7.00"	905 57 283

RL300 Shock Below Frame Suspension Exploded View



SAF-HOLLAND Group



ITEM NO.	DESCRIPTION	RL-300-14-SBF	RL-300-15-SBF	RL-300-16-SBF	RL-300-17-SBF	QTY
1	Frame Bracket (roadside - Welded Alignment)	905 21 144	905 21 145	905 21 146	905 21 146	1
	Frame Bracket (curbside - Welded Alignment)	905 21 144	905 21 145	905 21 146	905 21 146	1
2	Angle Brace	900 23 002	900 23 002	900 23 001	900 23 001	4
3	1-1/8" Spacer Washer	900 36 177	900 36 177	900 36 177	900 36 177	12
4	Equalizing Beam (roadside)	905 16 949	905 16 949	905 16 949	905 16 949	1
	Equalizing Beam (curbside)	905 16 950	905 16 950	905 16 950	905 16 950	1
5	Axle Adapter (roadside)	905 01 289	905 01 289	905 01 289	905 01 289	1
	Axle Adapter (curbside)	905 01 290	905 01 290	905 01 290	905 01 290	1
6	3/4"-10 Hex Nut (upper shock lock nut)	934 00 492	934 00 492	934 00 492	934 00 492	2
	3/4"-10 Square Nut (for lower shock bolt)	934 00 367	934 00 367	934 00 367	934 00 367	2
7	3/4"-10x3 1/2" Bolt	930 03 597	930 03 597	930 03 597	930 03 597	2
	3/4"-10x4" Bolt (lower shock bolt)	930 03 609	930 03 609	930 03 609	930 03 609	2
8	Firestone Air Spring	905 57 111	905 57 111	905 57 111	905 57 111	2
9	1-1/8" Lock Nut	934 00 506	934 00 506	934 00 506	934 00 506	6
10	Upper Air Spring Mtg Plate & shk Brkt (roadside)	905 44 830	905 44 830	905 44 830	905 44 830	1
	Upper Air Spring Mtg Plate & shk Brkt (curbside)	905 44 831	905 44 831	905 44 831	905 44 831	1
11	Shock Absorber	900 45 337	900 45 337	900 45 339	900 45 339	2
12	1-1/8" Bolt	932 01 051	932 01 051	932 01 051	932 01 051	4
13	1-1/8" Pivot Bolt (Welded Alignment)	932 01 069	932 01 069	932 01 069	932 01 069	2
14	1/2" Washer	936 00 072	936 00 072	936 00 072	936 00 072	8
15	Alignment Block (Welded Alignment)	900 08 198	900 08 198	900 08 198	900 08 198	4
16	1/2"-13x1" Bolt	930 02 893	930 02 893	930 02 893	930 02 893	6
17	3/4"-10 Hex Nut (top of air spring)	934 00 149	934 00 149	934 00 149	934 00 149	2
18	3/4" Washer	936 00 077	936 00 077	936 00 077	936 00 077	4
19	1/2"-13 Nut	934 00 136	934 00 136	934 00 136	934 00 136	2
20*	Pivot Bushing	900 08 139	900 08 139	900 08 139	900 08 139	1
21*	Axle Bushing	900 08 149	900 08 149	900 08 149	900 08 149	2

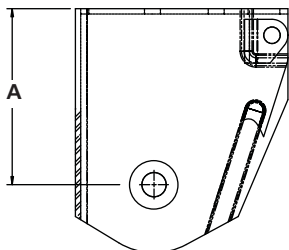
* Replacement components should be purchased in bushing connection SRK kits listed below.

Pivot Connection Kits

DESCRIPTION	SRK NO.	PART NO.	APPLICATION
2 Welded Alignment	SRK-524	481 00 388	1 Kit Req. per Axle

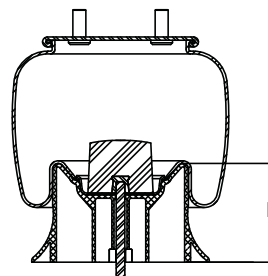
Axle Connection Kit

SRK NO.	PART NO.	APPLICATION
SRK-265	481 00 328	1 Kit Req. per Axle



Frame Bracket

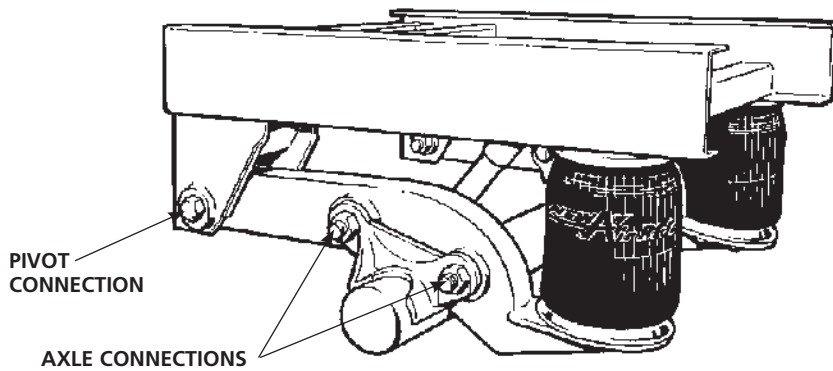
"A" DIM	PART NO.
7.25"	905 21 144
8.25"	905 21 145
10.59"	905 21 146



Air Spring

"B" DIM	PART NO.
5.50"	905 57 111

RL Suspension Service Repair Kits (SRKs)



When servicing your RL Series suspension, use the convenient service repair kits noted below; for kit contents, see following pages.

Descriptions are found below and below the parts list for each suspension.

PIVOT AND AXLE CONNECTION SERVICE REPAIR KIT CHART

Model 228 or 230 Pivot Connection - EZ and Welded Alignments

Bolt Type 1055 / 1069	Description	Holland SRK	Part No.
1055	2 Welded Alignment	SRK-203	481 00 264
1055	1 EZ-Alignment / 1 Welded Alignment	SRK-520	481 00 384
	2 EZ-Alignment	SRK-521	481 00 385
1069	1 EZ-Alignment / 1 Welded Alignment	SRK-525	481 00 389
1069	2 Welded Alignment	SRK-456	481 00 319

Model 228 or 230 Axle Connection - 2-Piece Adapter

Bolt Type	Description	Holland SRK	Part No.
1051	2-Piece Adapter	SRK-265	481 00 328
1051	1-Piece Adapter	SRK-149	481 00 206

Model 250 Pivot Connection - EZ and Welded Alignments

Bolt Type 1055 / 1069	Description	Holland SRK	Part No.
1069	2 Welded Alignment	SRK-524	481 00 388
1069	1 EZ-Alignment / 1 Welded Alignment	SRK-519	481 00 383
	2 EZ-Alignment	SRK-522	481 00 386
1055	1 EZ-Alignment / 1 Welded Alignment	SRK-523	481 00 387

Model 250 Axle Connection - 1- and 2-Piece Adapters

Bolt Type	Description	Holland SRK	Part No.
1051	1-Piece Adapter	SRK-149	481 00 206
1051	2-Piece Adapter	SRK-265	481 00 328

Model 300 Pivot Connection - Welded Alignments

Bolt Type Description	SRK	Holland Part No.	1055 / 1069
1069	2 Welded Alignment	SRK-524	481 00 388

Model 300 Axle Connection - 1-Piece Adapter

Description	SRK	Holland Part No.	Bolt Type
1051	1-Piece Adapter	SRK-149	481 00 206

NOTE: Bushing connection kits and frame bracket replacement kits should be purchased as SRKs listed here (detailed component listings are on following pages).



PIVOT AND AXLE CONNECTION REPLACEMENT KIT CHARTS

IMPORTANT: Welded Alignment frame brackets must be replaced with EZ-Align (non-welded) frame brackets.

SRK-149 - Axle 481 00 206

DESCRIPTION	PART NO.	QTY
Bolt Hex 1.125"-7 x 8.5" GR 8	932 01 051	4
Nut Hex Lock 1.125"-7 GR C	934 00 506	4
Bushing	900 08 149	4
Washer Spacer	900 36 175	8
Washer Flat 1.141"	900 36 177	8
Literature Instruction	941 00 509	1

SRK-203 - Pivot 481 00 264

DESCRIPTION	PART NO.	QTY
Bolt Hex 1.125"-7 x 9.5" GR 8	932 01 055	2
Nut Hex Lock 1.125"-7 GR C	934 00 506	2
Bushing	900 08 149	2
Washer Flat 1.141"	900 36 177	4
Literature Instructions	XL-AR453	1

SRK-457 - Axle 481 00 320

DESCRIPTION	PART NO.	QTY
Bolt Hex 1.125"-7 x 8.5" GR 8	932 01 051	4
Nut Hex Lock 1.125"-7 GR C	934 00 506	4
Bushing	900 08 149	4
Washer	900 36 217	8
Literature Instructions	XL-AR453	1

SRK-456 - Pivot* 481 00 319

DESCRIPTION	PART NO.	QTY
Bolt Hex 1.12"-7 x 8.5" GR 8	932 01 069	2
Nut Hex Lock 1.125"-7 GR C	934 00 506	2
Bushing	900 08 149	2
Washer Flat 1.141"	900 36 177	4
Alignment Bushing	900 08 198	4
Literature Instructions	XL-AR453	1
Decal, Torque Specification	XL-AR355	1

*Both alignment bushings are weldable adjustable.

SRK-519 - Pivot 481 00 383

DESCRIPTION	PART NO.	QTY
Bolt Hex 1.12"-7 x 8.5" GR 8	932 01 069	1
Nut Hex Lock 1.125"-7 GR C	934 00 506	2
Bushing	900 08 139	2
Washer Flat 1.141"	900 36 177	4
Alignment Block	905 08 019	1
Alignment Block Non Weld	900 08 238	1
Welded Axle Alignment Ins; EZ-Align Axle Alignment Ins.	XL-AR354	1
Decal, Torque Specification	XL-AR355	1

SRK-520 - Pivot

481 00 384

DESCRIPTION	PART NO.	QTY
Bolt Hex 1.125"-7 x 9.5" GR 8	932 01 055	1
Nut Hex Lock 1.125"-7 GR C	934 00 506	2
Bushing	900 08 149	2
Washer Flat 1.141"	900 36 177	4
Alignment Block	905 08 019	1
Alignment Block Non Weld	900 08 238	1
Welded Axle Alignment Ins; EZ-Align Axle Alignment Ins.	XL-AR354	1
Decal, Torque Specification	XL-AR355	1

SRK-521 - Pivot

481 00 385

DESCRIPTION	PART NO.	QTY
Bushing	900 08 149	2
Washer Flat 1.141"	900 36 177	4
Alignment Block	905 08 019	2
Alignment Block Non Weld	900 08 238	2
Nut Hex Lock 1.125"-7 GR C	934 00 506	2
Decal, Torque Specification	XL-AR355	1

SRK-522 - Pivot

481 00 386

DESCRIPTION	PART NO.	QTY
Bushing	900 08 139	2
Washer Flat 1.141"	900 36 177	4
Alignment Block	905 08 019	2
Alignment Block Non Weld	900 08 238	2
Nut Hex Lock 1.125"-7 GR C	934 00 506	2
Welded Axle Alignment Ins; EZ-Align Axle Alignment Ins.	XL-AR354	1
Decal, Torque Specification	XL-AR355	1

SRK-523 - Pivot

481 00 387

DESCRIPTION	PART NO.	QTY
Bushing	900 08 139	2
Washer Flat 1.141"	900 36 177	4
Alignment Block	905 08 019	1
Alignment Block Non Weld	900 08 238	1
Nut Hex Lock 1.125"-7 GR C	934 00 506	2
Bolt Hex 1.125"-7 x 9.5" GR 8	932 01 055	1
Welded Axle Alignment Ins; EZ-Align Axle Alignment Ins.	XL-AR354	1
Decal, Torque Specification	XL-AR355	1

SRK-524 - Pivot

481 00 388

DESCRIPTION	PART NO.	QTY
Bushing	900 08 139	2
Washer Flat 1.141"	900 36 177	4
Bolt Hex 1.12"-7 x 8.5" GR 8	932 01 069	2
Nut Hex Lock 1.125"-7 GR C	934 00 506	2
Literature Instructions	XL-AR453	1

PIVOT AND AXLE CONNECTION REPLACEMENT KIT CHARTS *continued*

IMPORTANT: Welded Alignment frame brackets **must** be replaced with EZ-Align (non-welded) frame brackets.

SRK-525 - Pivot

481 00 389

DESCRIPTION	PART NO.	QTY
Bolt Hex 1.125"-7 x 8.5" GR 8	932 01 069	1
Nut Hex Lock 1.125"-7 GR C	934 00 506	2
Bushing	900 08 149	2
Washer Flat 1.141"	900 36 177	4
Alignment Block	905 08 019	1
Alignment Block Non Weld	900 08 238	1
Literature Instructions	XL-AR453	1
Decal, Torque Specification	XL-AR355	1

RL-228 PIVOT AND AXLE CONNECTION REPLACEMENT KIT CHARTS

SRK-145 - Pivot

481 00 202

DESCRIPTION	PART NO.	QTY
Bolt Hex 1.125"-7 x 9.5" GR 8	932 01 055	2
Nut Hex Lock 1.125"-7 GR C	934 00 506	2
Bushing	900 08 139	2
Washer Flat 1.141"	900 36 177	4
Pivot Connection Instructions	XL-AK406	1
Decal, Torque Specifications	XL-AR355	1

SRK-203 - Pivot

481 00 264

DESCRIPTION	PART NO.	QTY
Bolt Hex 1.125"-7 x 9.5" GR 8	932 01 055	2
Nut Hex 1.125"-7 GR C	934 00 506	2
Bushing	900 08 149	2
Washer Flat 1.141"	900 36 177	4
Literature Instructions	XL-AR453	1

SRK-227 - Pivot

481 00 289

DESCRIPTION	PART NO.	QTY
Bolt Hex 1.125"-7 x 9.53" GR 8	932 01 055	1
Nut Hex Lock 1.125"-7 GR C	934 00 506	2
Bushing	900 08 149	2
Washer Flat 1.141"	900 36 177	4
Alignment Block	905 08 019	1
Alignment Block Non Weld	900 08 238	1
Literature Instructions	XL-AR453	1

SRK-229 - Axle

481 00 291

DESCRIPTION	PART NO.	QTY
Bolt Hex 1.125"-7 x 8.5" GR 8	932 01 051	2
Nut Hex Lock 1.125"-7 GR C	934 00 506	2
Washer Flat 1.141"	900 36 177	4
Adapter, Axle, LH	905 01 329	1
Adapter, Axle, LH	900 01 341	1
Literature Instructions	XL-AR445	1

SRK-230 - Axle

481 00 292

DESCRIPTION	PART NO.	QTY
Bolt Hex 1.125"-7 x 8.5" GR 8	932 01 051	2
Nut Hex Lock 1.125"-7 GR C	934 00 506	2
Washer Flat 1.141"	900 36 177	4
Adapter, Axle, RH	905 01 330	1
Adapter, Axle, RH	900 01 340	1
Literature Instructions	XL-AR445	1

SRK-266 - Pivot

481 00 329

DESCRIPTION	PART NO.	QTY
Bolt Hex 1.125"-7 x 8.5" GR 8	932 01 069	1
Nut Hex Lock 1.125"-7 GR C	934 00 506	2
Bushing	900 08 149	2
Washer Flat 1.141"	900 36 177	4
Alignment Block	905 08 019	1
Alignment Block Non Weld	900 08 238	1
Alignment Bushing	900 08 198	2
Literature Instructions	XL-AR453	1



FRAME BRACKET REPLACEMENT KIT CHARTS

IMPORTANT: Welded Alignment frame brackets **must** be replaced with EZ-Align (non-welded) frame brackets.

RL-230-12 SRK-543 481 00 407

DESCRIPTION	PART NO.	QTY
Frame Bracket Assy EZ-Align	905 20 859	1
Alignment Block Assy	905 08 019	1
Nut Hex 1.125"-7	934 00 506	1
Washer	900 36 177	2
Alignment Block	900 08 238	1
Angle Brace	900 25 157	2

RL-230-14 SRK-544 481 00 408

DESCRIPTION	PART NO.	QTY
Frame Bracket Assy EZ-Align	905 21 147	1
Alignment Block Assy	905 08 019	1
Nut Hex 1.125"-7	934 00 506	1
Washer	900 36 177	2
Alignment Block	900 08 238	1
Angle Brace	900 25 157	2

RL-230-15 SRK-545 481 00 409

DESCRIPTION	PART NO.	QTY
Frame Bracket Assy EZ-Align	905 21 148	1
Alignment Block Assy	905 08 019	1
Nut Hex 1.125"-7	934 00 506	1
Washer	900 36 177	2
Alignment Block	900 08 238	1
Angle Brace	900 25 157	2

RL-230-16, -17 SRK-546 481 00 410

DESCRIPTION	PART NO.	QTY
Frame Bracket Assy EZ-Align	905 21 149	1
Alignment Block Assy	905 08 019	1
Nut Hex 1.125"-7	934 00 506	1
Washer	900 36 177	2
Alignment Block	900 08 238	1
Angle Brace	900 23 002	2

RL-230-14-HMS SRK-547 481 00 411

DESCRIPTION	PART NO.	QTY
Frame Bracket Assy EZ-Align, roadside	905 21 325	1
Alignment Block Assy	905 08 019	1
Nut Hex 1.125"-7	934 00 506	1
Washer	900 36 177	2
Alignment Block	900 08 238	1
Angle Brace	900 25 157	1

RL-230-14-HMS SRK-548 481 00 412

DESCRIPTION	PART NO.	QTY
Frame Bracket Assy EZ-Align, curbside	905 21 326	1
Alignment Block Assy	905 08 019	1
Nut Hex 1.125"-7	934 00 506	1
Washer	900 36 177	2
Alignment Block	900 08 238	1
Angle Brace	900 25 157	1

RL-230-15 SRK-549 481 00 413

DESCRIPTION	PART NO.	QTY
Frame Bracket Assy EZ-Align, roadside	905 21 327	1
Alignment Block Assy	905 08 019	1
Nut Hex 1.125"-7	934 00 506	1
Washer	900 36 177	2
Alignment Block	900 08 238	1
Angle Brace	900 25 157	1

RL-230-15-HMS SRK-550 481 00 414

DESCRIPTION	PART NO.	QTY
Frame Bracket Assy EZ-Align, curbside	905 21 328	1
Alignment Block Assy	905 08 019	1
Nut Hex 1.125"-7	934 00 506	1
Washer	900 36 177	2
Alignment Block	900 08 238	1
Angle Brace	900 25 157	1

RL-230-16, -17, -HMS SRK-551 481 00 415

DESCRIPTION	PART NO.	QTY
Frame Bracket Assy EZ-Align, roadside	905 21 377	1
Alignment Block Assy	905 08 019	1
Nut Hex 1.125"-7	934 00 506	1
Washer	900 36 177	2
Alignment Block	900 08 238	1
Angle Brace	900 25 157	1

RL-230-16, -17,-HMS SRK-552 481 00 416

DESCRIPTION	PART NO.	QTY
Frame Bracket Assy EZ-Align, curbside	905 21 378	1
Alignment Block Assy	905 08 019	1
Nut Hex 1.125"-7	934 00 506	1
Washer	900 36 177	2
Alignment Block	900 08 238	1
Angle Brace	900 23 002	1



RL Suspension Service Repair Kits (SRKs) cont'd.

SAF-HOLLAND Group

FRAME BRACKET REPLACEMENT KIT CHARTS *continued*

IMPORTANT: Welded Alignment frame brackets **must** be replaced with EZ-Align (non-welded) frame brackets.

RL-250-14, -15 SRK-553 481 00 417

DESCRIPTION	PART NO.	QTY
Frame Bracket Assy EZ-Align	905 21 151	1
Alignment Block Assy	905 08 019	1
Nut Hex 1.125"-7	934 00 506	1
Washer	900 36 177	2
Alignment Block	900 08 238	1
Angle Brace	900 23 002	2

RL-250-16, -17 SRK-554 481 00 418

DESCRIPTION	PART NO.	QTY
Frame Bracket Assy EZ-Align	905 21 152	1
Alignment Block Assy	905 08 019	1
Nut Hex 1.125"-7	934 00 506	1
Washer	900 36 177	2
Alignment Block	900 08 238	1
Angle Brace	900 23 001	2

RL-300-12, -13 SRK-555 481 00 419

DESCRIPTION	PART NO.	QTY
Frame Bracket Assy Welded Alignment	905 20 383	1
Alignment Block	900 08 147	2
Nut Hex 1.125"-7	934 00 506	1
Washer	900 36 177	2
Angle Brace	900 25 157	2
Pivot Bolt 1.125"-7	932 01 069	1

RL-300-14 SRK-556 481 00 420

DESCRIPTION	PART NO.	QTY
Frame Bracket Assy Welded Alignment	905 21 144	1
Alignment Block	900 08 198	2
Nut Hex 1.125"-7	934 00 506	1
Washer	900 36 177	2
Angle Brace	900 23 002	2
Pivot Bolt 1.125"-7	932 01 069	1

RL-300-15 SRK-557 481 00 421

DESCRIPTION	PART NO.	QTY
Frame Bracket Assy Welded Alignment	905 21 145	1
Alignment Block	900 08 198	2
Nut Hex 1.125"-7	934 00 506	1
Washer	900 36 177	2
Angle Brace	900 23 002	2
Pivot Bolt 1.125"-7	932 01 069	1

RL-300-16, -17 SRK-558 481 00 422

DESCRIPTION	PART NO.	QTY
Frame Bracket Assy EZ-Align Welded Alignment	905 21 146	1
Alignment Block	905 08 198	2
Nut Hex 1.125"-7	934 00 506	1
Washer	900 36 177	2
Angle Brace	900 23 001	2
Pivot Bolt 1.125"-7	932 01 069	1



SAF-HOLLAND Group

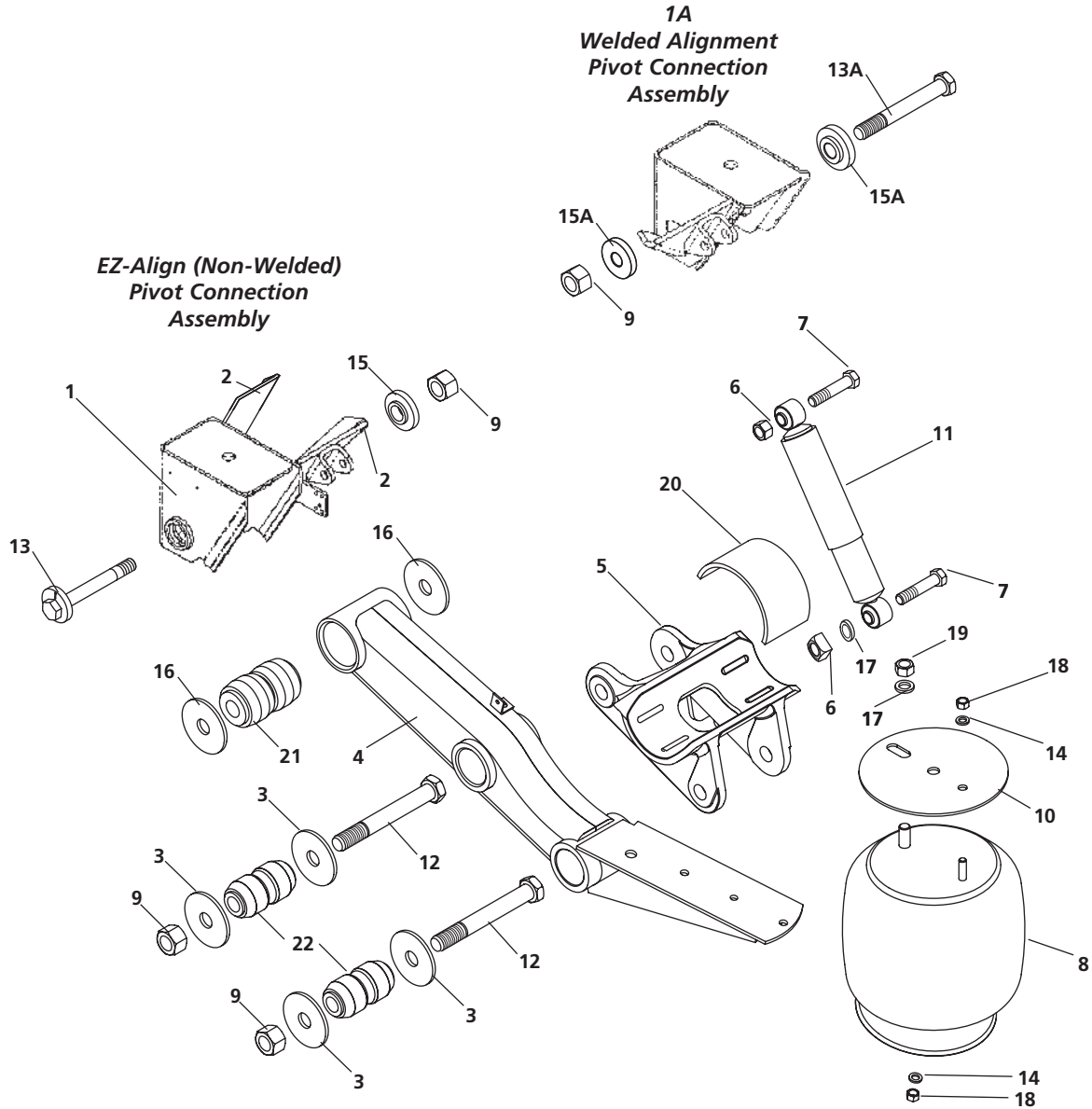
Trailer Air Suspension Parts Reference Guide

THIS PAGE INTENTIONALLY LEFT BLANK

RLU-228 Suspension Exploded View (3" Axle Travel Up)

SAF-HOLLAND Group

IMPORTANT: To ensure proper part number identification before placing order, visually check component to be replaced for part number. If part number cannot be identified or confirmed, contact Holland technical service for assistance - 888-396-6501.





RLU-228 Current Production Suspension Parts List (3" Axle Travel Up)

SAF-HOLLAND Group

ITEM NO.	DESCRIPTION	RLU-228-6-3	RLU-228-7-3	RLU-228-8-3	RLU-228-9-3	RLU-228-10-3	RLU-228-12-3	QTY.
1	Frame Bracket (roadside EZ-Align HMS)	905 21 059	905 21 006	905 21 045	905 21 547	905 21 548	905 21 406	1
	Frame Bracket (curbside EZ-Align HMS)	905 21 162	905 21 158	905 21 159	905 21 550	-	-	1
1A	Frame Bracket (curbside Welded Alignment HMS)	905 21 558	-	-	905 21 541	905 21 542	905 21 414	1
	Frame Bracket (coped x-member EZ-Align)	905 21 486	905 21 552	905 21 553	905 21 553	-	-	1
	Frame Bracket (coped x-member)	905 21 488	905 21 543	905 21 544	905 21 544	-	-	1
2	Angle Brace	900 25 157	900 23 002	900 23 002	900 23 002	900 23 001	900 23 001	4
3	1-1/8" Spacer Washer (axle connection)	900 36 177	900 36 177	900 36 177	900 36 177	900 36 177	900 36 177	8
4	Suspension Sub-Assembly (HMS) (roadside)	905 46 057	905 46 057	905 46 057	905 46 057	905 46 057	905 46 057	1
	Equalizing Beam (roadside)	905 16 552	905 16 552	905 16 552	905 16 552	905 16 552	905 16 552	1
	Suspension Sub-Assembly (HMS) (curbside)	905 46 058	905 46 058	905 46 058	905 46 058	905 46 058	905 46 058	1
	Equalizing Beam (curbside)	905 16 553	905 16 553	905 16 553	905 16 553	905 16 553	905 16 553	1
5	Axle Adapter (roadside)	905 01 447	905 01 447	905 01 447	905 01 447	905 01 447	905 01 447	1
	Axle Adapter (curbside)	905 01 448	905 01 448	905 01 448	905 01 448	905 01 448	905 01 448	1
6	3/4"-10 Hex Nut (upper shock lock nut)	934 00 492	934 00 492	934 00 492	934 00 492	934 00 492	934 00 492	2
	3/4"-10 Hex Nut (upper shock lock nut)	934 00 553	-	-	-	-	-	2
	3/4"-10 Square Nut (for lower shock bolt)	-	934 00 367	934 00 367	934 00 367	934 00 367	934 00 367	2
7	3/4"-10x3 1/2" Bolt	930 03 597	930 03 597	930 03 597	930 03 597	930 03 597	930 03 597	2
	3/4"-10x4" Bolt (lower shock bolt)	930 03 609	930 03 609	930 03 609	930 03 609	930 03 609	930 03 609	2
8	Air Spring	905 57 117	905 57 117	905 57 118	905 57 119	905 21 124	905 57 119	2
9	1-1/8" Lock Nut	934 00 506	934 00 506	934 00 506	934 00 506	934 00 506	934 00 506	6
10	Air Spring Mtg Plate (ASMP)	900 33 785	900 33 785	900 33 785	900 33 785	900 33 785	900 33 785	2
11	Shock Absorber	900 45 298	900 44 162	900 45 040	900 45 054	900 44 642	900 44 642	2
12	1-1/8" Bolt (axle connection)	932 01 051	932 01 051	932 01 051	932 01 051	932 01 051	932 01 051	4
13	1-1/8" Pivot Bolt Alignment Block Assy (EZ-Align)	905 08 019	905 08 019	905 08 019	905 08 019	905 08 019	905 08 019	1*
13A	1-1/8" Pivot Bolt (Welded Alignment)	932 01 055	932 01 069	932 01 069	932 01 069	932 01 069	932 01 055	1
14	1/2" Lock Washer	936 00 072	936 00 072	936 00 072	936 00 072	936 00 072	936 00 072	4
15	Alignment Block (EZ-Align)	900 08 238	900 08 238	900 08 238	900 08 238	900 08 238	900 08 238	1*
15A	Alignment Block (Welded Alignment)	900 08 147	900 08 198	900 08 198	900 08 198	900 08 198	900 08 147	2
16	Pivot Washer, 1.14" dia.	936 00 177	936 00 177	936 00 177	936 00 177	936 00 177	936 00 177	4
17	3/4" Lock Washer	936 00 077	936 00 077	936 00 077	936 00 077	936 00 077	936 00 077	4
18	1/2"-13 Nut	934 00 136	934 00 136	934 00 136	934 00 136	934 00 136	934 00 136	4
19	3/4"-16 Hex Nut (top of air spring)	934 00 149	934 00 149	934 00 149	934 00 149	934 00 149	934 00 149	2
20	Plate Wrapper	900 25 288	900 25 288	900 25 288	900 25 288	900 25 288	900 25 288	2
21*	Pivot Bushing	900 08 139	900 08 139	900 08 139	900 08 139	900 08 139	900 08 139	1
22*	Axle Bushing	900 08 149	900 08 149	900 08 149	900 08 149	900 08 149	900 08 149	2

* Replacement components should be purchased in bushing connection SRK kits listed below.

SRK-145 - Pivot

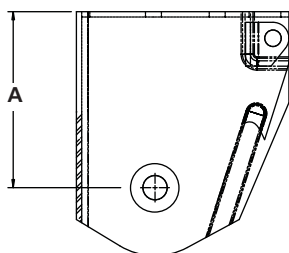
481 00 202

DESCRIPTION	PART NO.	QTY
Bolt Hex 1.125"-7 x 9.5" GR 8	932 01 055	2
Nut Hex Lock 1.125"-7 GR C	934 00 506	2
Bushing	900 08 139	2
Washer Flat 1.141"	900 36 177	4
Pivot Connection Instructions	XL-AK406	1
Decal, Torque Specifications	XL-AR355	1

SRK-149 - Axle

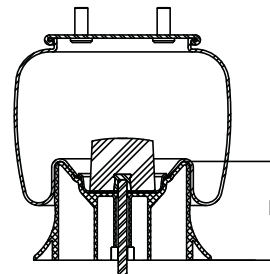
481 00 206

DESCRIPTION	PART NO.	QTY
Bolt Hex 1.125"-7 x 8.5" GR 8	932 01 051	4
Nut Hex Lock 1.125"-7 GR C	934 00 506	4
Bushing	900 08 149	4
Washer Spacer	900 36 175	8
Washer Flat 1.141"	900 36 177	8
Literature Instruction	941 00 509	1



Frame Bracket

"A" DIM	PART NO.
5.66"	905 21 059
7.10"	905 21 006
8.06"	905 21 547
8.10"	905 21 045
10.44"	905 21 548
11.10"	905 21 406



Air Spring

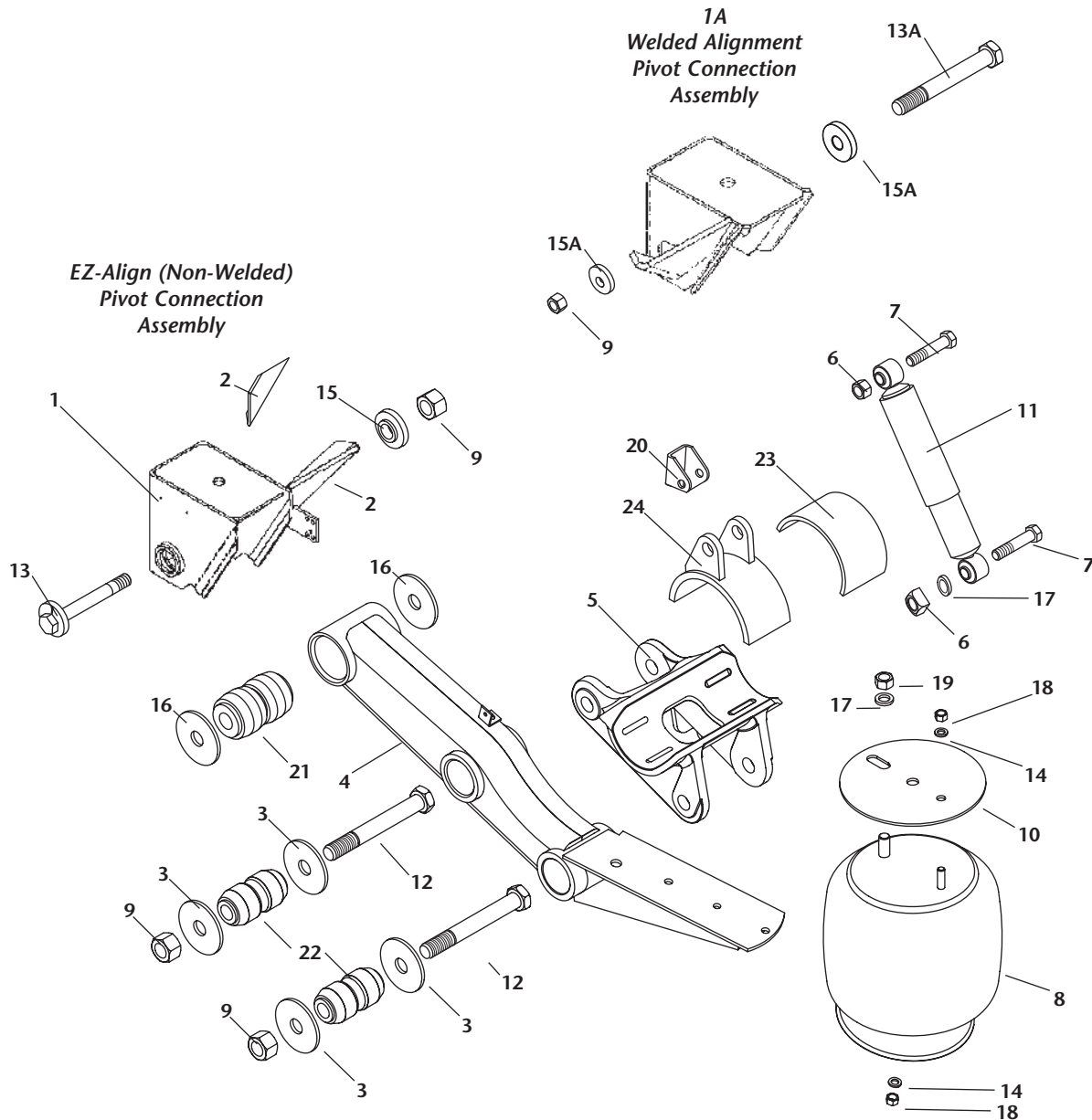
"A" DIM	PART NO.
4.75"	905 57 117
5.70"	905 57 118
7.40"	905 57 119
7.57"	905 57 124

RLU-228-3 (Formerly ARU-93) Suspension Exploded View



SAF-HOLLAND Group

IMPORTANT: RLU-228-3 Series Suspension components were previously known as suspension model ARU-93; the alignment collar is 3-1/2" in diameter. To ensure proper part number identification before placing order, visually check component to be replaced for part number. If part number cannot be identified or confirmed, contact Holland technical service for assistance - 888-396-6501.





SAF-HOLLAND Group

RLU-228-3 (Formerly ARU-93) Suspension Parts List

ITEM NO.	DESCRIPTION	RLU-228-6-3	RLU-228-7-3	RLU-228-8-3	RLU-228-9-3	RLU-228-10-3	QTY.
1	Frame Bracket (roadside - Welded Adj. Alignment)	905 21 564	905 20 346	905 19 710	905 19 710	905 21 149	1
	Frame Bracket (curbside - Welded Alignment)	905 21 561	-	-	-	-	1
	Frame Bracket (roadside EZ-Align HMS)	-	905 21 546	-	905 21 547	-	1*
	Frame Bracket (curbside EZ-Align HMS)	-	-	-	-	-	1
	Frame Bracket (curbside Welded Alignment HMS)	-	905 21 540	-	905 21 541	-	1
2	Angle Brace	900 25 157	900 23 002	900 23 002	900 23 002	900 23 002	4
3	1-1/8" Spacer Washer (axle connection)	900 36 177	900 36 177	900 36 177	900 36 177	900 36 177	8
4	Suspension Sub-Assembly (HMS) (roadside)	-	905 46 057	905 46 057	905 46 057	905 46 057	1
	Equalizing Beam (roadside)	905 16 552	905 16 552	905 16 552	905 16 552	905 16 552	1
	Suspension Sub-Assembly (HMS) (curbside)	-	905 46 058	905 46 058	905 46 058	905 46 058	1
	Equalizing Beam (curbside)	905 16 553	905 16 553	905 16 553	905 16 553	905 16 553	1
5	Axle Adapter (roadside)	905 01 447	905 01 447	905 01 447	905 01 447	90 501 447	1
	Axle Adapter (curbside)	905 01 448	905 01 448	905 01 448	905 01 448	905 01 448	1
6	3/4"-10 Hex Nut (upper shock lock nut)	934 00 492	934 00 492	934 00 492	934 00 492	934 00 492	2
	3/4"-10 Square Nut (for lower shock bolt)	934 00 367	934 00 367	934 00 367	934 00 367	934 00 367	2
7	3/4"-10x3 1/2" Bolt	930 03 597	930 03 597	930 03 597	930 03 597	930 03 597	2
	3/4"-10x4" Bolt (lower shock bolt)	930 03 609	930 03 609	930 03 609	930 03 609	930 03 609	2
8	Air Spring	905 57 117	905 57 117	905 57 118	905 57 119	905 57 119	2
9	1-1/8" Lock Nut	934 00 506	934 00 506	934 00 506	934 00 506	934 00 506	6
10	Air Spring Mtg Plate (ASMP)	900 33 785	900 33 785	900 33 785	900 33 785	900 33 785	2
11	Shock Absorber	900 45 040	900 44 642	900 44 626	900 44 626	900 44 089	2
12	1-1/8" Bolt (axle connection)	932 01 051	932 01 051	932 01 051	932 01 051	932 01 051	4
13	1-1/8" Pivot Bolt Alignment Block Assy (EZ-Align)	-	905 08 019	-	905 08 019	-	1*
13A	1-1/8" Pivot Bolt (Welded Alignment)	932 01 055	932 01 055	932 01 055	932 01 055	932 01 055	1
14	1/2" Lock Washer	936 00 072	936 00 072	936 00 072	936 00 072	936 00 072	4
15	Alignment Block (EZ-Align)	-	900 08 238	-	900 08 238	-	1*
15A	Alignment Block (Welded Alignment)	900 08 147	900 08 147	900 08 147	900 08 147	900 08 147	2
16	Pivot Washer, 1.14" dia.	936 00 177	936 00 177	936 00 177	936 00 177	936 00 177	4
17	3/4" Lock Washer	936 00 077	936 00 077	936 00 077	936 00 077	936 00 077	4
18	1/2"-13 Nut	934 00 136	934 00 136	934 00 136	934 00 136	934 00 136	4
19	3/4"-16 Hex Nut (top of air spring)	934 00 149	934 00 149	934 00 149	934 00 149	934 00 149	2
20	Upper Shock Bracket	905 19 040	905 19 040	905 19 040	905 19 040	900 18 445	2
21*	Pivot Bushing	900 08 139	900 08 139	900 08 139	900 08 139	900 08 139	1
22*	Axle Bushing	900 08 149	900 08 149	900 08 149	900 08 149	900 08 149	2
23	Plate Wrapper	900 25 288	900 25 288	900 25 288	900 25 288	900 25 288	2
24	Lower Shock Assembly	905 20 276	905 20 276	905 20 276	905 20 276	905 20 276	2

* Replacement components should be purchased in bushing connection SRK kits listed below.

SRK-145 - Pivot

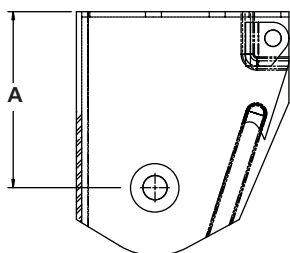
481 00 202

DESCRIPTION	PART NO.	QTY
Bolt Hex 1.125"-7 x 9.5" GR 8	932 01 055	2
Nut Hex Lock 1.125"-7 GR C	934 00 506	2
Bushing	900 08 139	2
Washer Flat 1.141"	900 36 177	4
Pivot Connection Instructions	XL-AK406	1
Decal, Torque Specifications	XL-AR355	1

SRK-149 - Axle

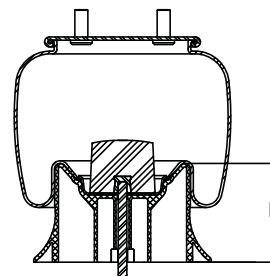
481 00 206

DESCRIPTION	PART NO.	QTY
Bolt Hex 1.125"-7 x 8.5" GR 8	932 01 051	4
Nut Hex Lock 1.125"-7 GR C	934 00 506	4
Bushing	900 08 149	4
Washer Spacer	900 36 175	8
Washer Flat 1.141"	900 36 177	8
Literature Instruction	941 00 509	1



Frame Bracket

"A" DIM	PART NO.
7.25"	905 20 346
8.25"	905 19 710



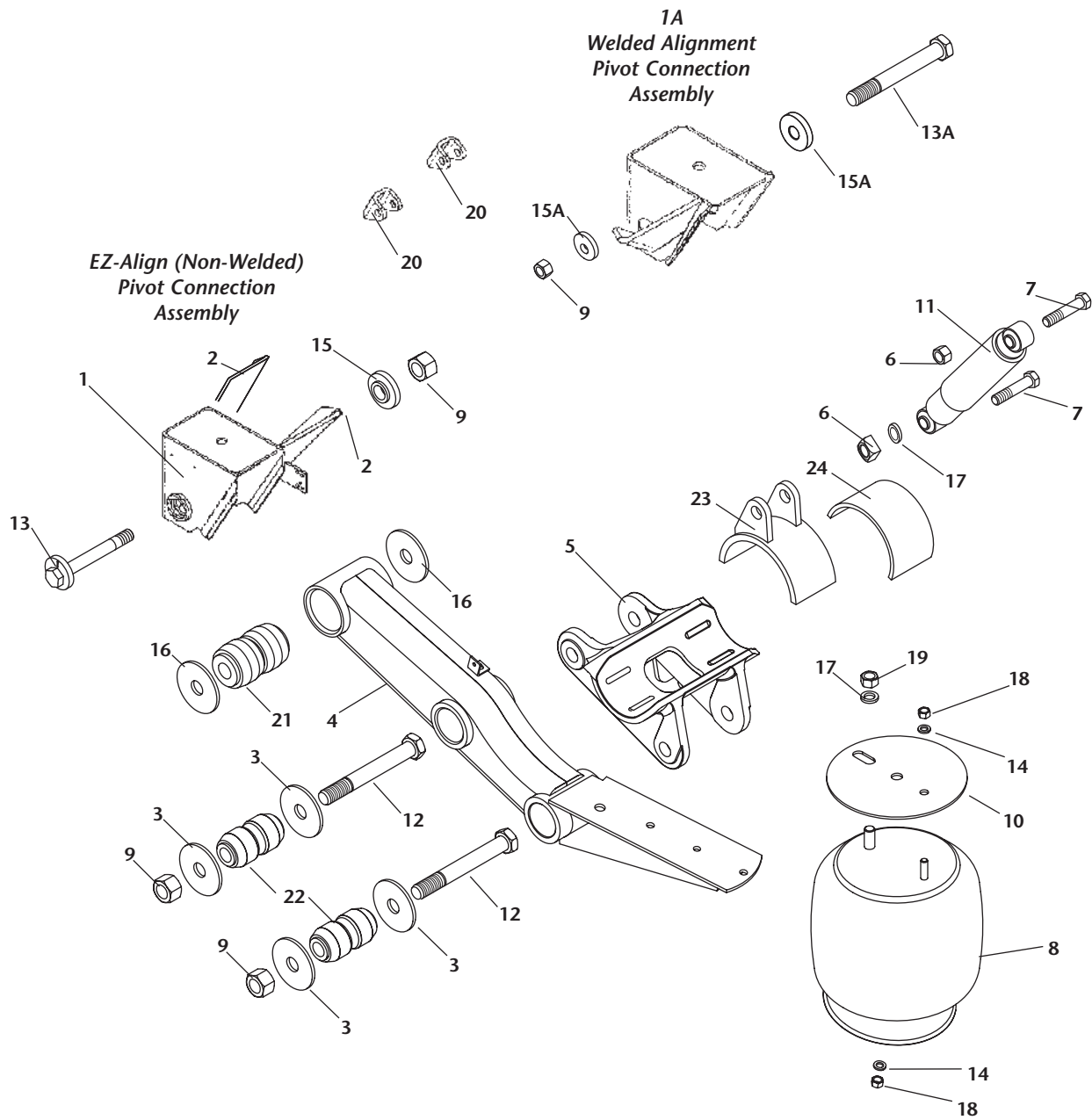
Air Spring

"B" DIM	PART NO.
4.75"	905 57 117
5.70"	905 57 118
7.40"	905 57 119

RLU-228 Axle Mounted Shock (AMS) Suspension Exploded View



SAF-HOLLAND Group





SAF-HOLLAND Group

RLU-228 Axle Mounted Shock (AMS) Suspension Parts List

ITEM NO.	DESCRIPTION	RLU-228-8-3	RLU-228-9-3	RLU-228-10-3	RLU-228-12-3	QTY.
1	Frame Bracket (roadside - Welded Alignment)	905 20 346	905 19 710	905 20 828	905 19 712	1
	Frame Bracket (curbside - Welded Alignment)	-	-	-	-	1
	Frame Bracket (roadside EZ-Align HMS)	-	-	-	-	1
	Frame Bracket (curbside EZ-Align HMS)	-	-	-	-	1
	Frame Bracket (curbside Welded Alignment HMS)	-	-	-	-	1
2	Angle Brace	900 23 002	900 23 002	900 23 001	900 23 001	4
3	1-1/8" Spacer Washer (axle connection)	900 36 177	900 36 177	900 36 177	900 36 177	8
4	Suspension Sub-Assembly (HMS) (roadside)	-	-	-	-	1
	Equalizing Beam (roadside)	905 16 579	905 16 579	905 16 579	905 16 579	1
	Suspension Sub-Assembly (HMS) (curbside)	-	-	-	-	1
	Equalizing Beam (curbside)	905 16 580	905 16 580	905 16 580	905 16 580	1
5	Axle Adapter (roadside)	900 01 200	900 01 200	900 01 200	900 01 200	1
	Axle Adapter (curbside)	900 01 200	900 01 200	900 01 200	900 01 200	1
6	3/4"-10 Hex Nut (upper shock lock nut)	934 00 492	934 00 492	934 00 492	934 00 492	2
	3/4"-10 Square Nut (for lower shock bolt)	-	-	-	-	2
7	3/4"-10x3 1/2" Bolt	930 03 597	930 03 597	930 03 597	930 03 597	2
	3/4"-10x4" Bolt (lower shock bolt)	-	-	-	-	2
8	Air Spring	905 57 117	905 57 112	905 57 112	905 57 126	2
9	1-1/8" Lock Nut	934 00 506	934 00 506	934 00 506	934 00 506	6
10	Air Spring Mtg Plate (ASMP)	900 33 785	900 33 785	900 33 785	900 33 785	2
11	Shock Absorber	900 44 162	900 44 642	900 44 642	900 44 642	2
12	1-1/8" Bolt (axle connection)	932 01 051	932 01 051	932 01 051	932 01 051	4
13	1-1/8" Pivot Bolt Alignment Block Assy (EZ-Align)	-	-	-	-	1
13A	1-1/8" Pivot Bolt (Welded Alignment)	932 01 055	932 01 055	932 01 055	932 01 055	1
14	1/2" Lock Washer	936 00 072	936 00 072	936 00 072	936 00 072	4
15	Alignment Block (EZ-Align)	-	-	-	-	1
15A	Alignment Block (Welded Alignment)	900 08 147	900 08 147	900 08 147	900 08 147	2
16	Pivot Washer, 1.14" dia.	936 00 177	936 00 177	936 00 177	936 00 177	4
17	3/4" Lock Washer	936 00 077	936 00 077	936 00 077	936 00 077	4
18	1/2"-13 Nut	934 00 136	934 00 136	934 00 136	934 00 136	4
19	3/4"-16 Hex Nut (top of air spring)	934 00 149	934 00 149	934 00 149	934 00 149	2
20	Upper Shock Bracket	905 19 040	905 19 040	905 19 040	905 19 040	2
21*	Pivot Bushing	900 08 139	900 08 139	900 08 139	900 08 139	1
22*	Axle Bushing	900 08 149	900 08 149	900 08 149	900 08 149	2
23	Axle Mount Shock Bracket	905 20 276	905 20 276	905 20 276	905 20 276	2
24	Plate Wrapper	900 25 288	900 25 288	900 25 288	900 25 288	2

* Replacement components should be purchased in bushing connection SRK kits listed below.

SRK-145 - Pivot

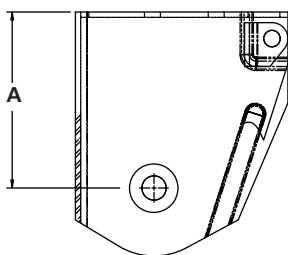
481 00 202

DESCRIPTION	PART NO.	QTY
Bolt Hex 1.125"-7 x 9.5" GR 8	932 01 055	2
Nut Hex Lock 1.125"-7 GR C	934 00 506	2
Bushing	900 08 139	2
Washer Flat 1.141"	900 36 177	4
Pivot Connection Instructions	XL-AK406	1
Decal, Torque Specifications	XL-AR355	1

SRK-149 - Axle

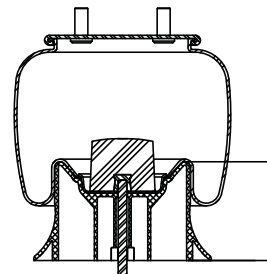
481 00 206

DESCRIPTION	PART NO.	QTY
Bolt Hex 1.125"-7 x 8.5" GR 8	932 01 051	4
Nut Hex Lock 1.125"-7 GR C	934 00 506	4
Bushing	900 08 149	4
Washer Spacer	900 36 175	8
Washer Flat 1.141"	900 36 177	8
Literature Instruction	941 00 509	1



Frame Bracket

"A" DIM	PART NO.
7.25"	905 20 346
8.25"	905 19 710
10.59"	905 20 828
11.25"	905 19 712



Air Spring

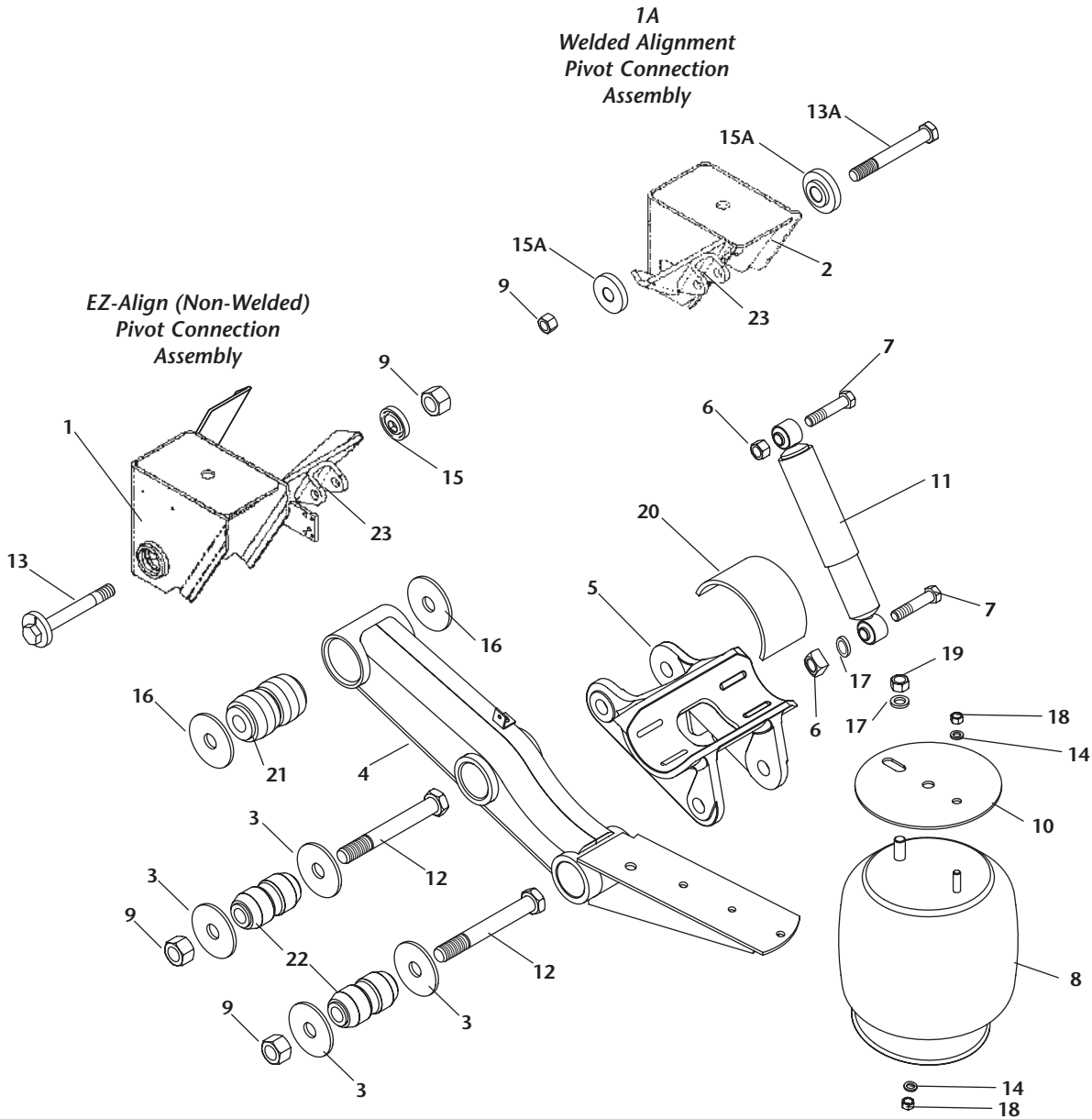
"B" DIM	PART NO.
4.75"	905 57 117
5.66"	905 57 112
7.57"	905 57 126

RLU-228 Current Production Suspension Exploded View (4" Axle Travel Up - Can Be Used With A Lift)



SAF-HOLLAND Group

IMPORTANT: To ensure proper part number identification before placing order, visually check component to be replaced for part number. If part number cannot be identified or confirmed, contact Holland technical service for assistance - 888-396-6501.



SRK-145 - Pivot

481 00 202

DESCRIPTION	PART NO.	QTY
Bolt Hex 1.125"-7 x 9.5" GR 8	932 01 055	2
Nut Hex Lock 1.125"-7 GR C	934 00 506	2
Bushing	900 08 139	2
Washer Flat 1.141"	900 36 177	4
Pivot Connection Instructions	XL-AK406	1
Decal, Torque Specifications	XL-AR355	1

SRK-149 - Axle

481 00 206

DESCRIPTION	PART NO.	QTY
Bolt Hex 1.125"-7 x 8.5" GR 8	932 01 051	4
Nut Hex Lock 1.125"-7 GR C	934 00 506	4
Bushing	900 08 149	4
Washer Spacer	900 36 175	8
Washer Flat 1.141"	900 36 177	8
Literature Instruction	941 00 509	1



RLU-228 Current Production Suspension Parts List (4" Axle Travel Up - Can Be Used With A Lift)

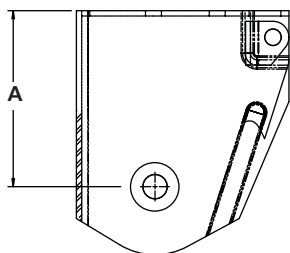
SAF-HOLLAND Group

ITEM NO.	DESCRIPTION	RLU-228-8-4	RLU-228-9-4	RLU-228-10-4	RLU-228-12-4	QTY.
1	Frame Bracket (roadside - Welded Alignment)	-	905 19 710	-	-	1
	Frame Bracket (curbside - Welded Alignment)	-	-	-	-	1
	Frame Bracket (roadside EZ-Align HMS)	905 21 546	905 21 547	905 21 548	905 21 047	1
	Frame Bracket (curbside EZ-Align HMS)	-	-	-	-	1
	Frame Bracket (curbside Welded Alignment)	-	-	-	-	1
	Frame Bracket (curbside Welded Alignment HMS)	905 21 540	905 21 541	905 21 542	905 21 051	1
2	Angle Brace	900 23 002	900 23 002	900 23 001	900 23 001	4
3	1-1/8" Spacer Washer (axle connection)	900 36 177	900 36 177	900 36 177	900 36 177	8
4	Suspension Sub-Assembly (HMS) (roadside)	905 46 057	905 46 057	905 46 057	905 46 057	1
	Equalizing Beam (roadside)	905 16 552	905 16 552	905 16 552	905 16 552	1
	Suspension Sub-Assembly (HMS) (curbside)	905 46 058	905 46 058	905 46 058	905 46 058	1
	Equalizing Beam (curbside)	905 16 553	905 16 553	905 16 553	905 16 553	1
5	Axle Adapter (roadside)	905 01 447	905 01 447	905 01 447	905 01 447	1
	Axle Adapter (curbside)	905 01 448	905 01 448	905 01 448	905 01 448	1
6	3/4"-10 Hex Nut (upper shock lock nut)	934 00 492	934 00 492	934 00 492	934 00 492	2
	3/4"-10 Hex Nut (upper shock lock nut)	934 00 367	934 00 367	934 00 367	934 00 367	2
	3/4"-10 Square Nut (for lower shock bolt)	934 00 367	934 00 367	934 00 367	934 00 367	2
7	3/4"-10x3 1/2" Bolt	930 03 597	930 03 597	930 03 597	930 03 597	2
	3/4"-10x4" Bolt (lower shock bolt)	930 03 609	930 03 609	930 03 609	930 03 609	2
8	Air Spring	905 57 117	905 57 112	905 57 124	905 57 126	2
9	1-1/8" Lock Nut	934 00 506	934 00 506	934 00 506	934 00 506	6
10	Air Spring Mtg Plate (ASMP)	900 33 785	900 33 785	900 33 785	900 33 785	2
11	Shock Absorber	900 45 337*	900 45 040**	-	900 44 642**	2
	Shock Absorber	900 44 162*	900 44 626**	900 44 642**	900 44 626**	2
12	1-1/8" Bolt (axle connection)	932 01 051	932 01 051	932 01 051	932 01 051	4
13	1-1/8" Pivot Bolt Alignment Block Assy (EZ-Align)	905 08 019	905 08 019	905 08 019	905 08 019	1
13A	1-1/8" Pivot Bolt (Welded Alignment)	932 01 069	932 01 055	932 01 069	932 01 055	1
14	1/2" Lock Washer	936 00 072	936 00 072	936 00 072	936 00 072	4
15	Alignment Block (EZ-Align)	900 08 238	900 08 238	900 08 238	900 08 238	1
15A	Alignment Block (Welded Alignment)	900 08 198	900 08 147	900 08 198	900 08 147	2
16	Pivot Washer, 1.14" dia.	900 36 177	900 36 177	900 36 177	900 36 177	4
17	3/4" Lock Washer	936 00 077	936 00 077	936 00 077	936 00 077	4
18	1/2"-13 Nut	934 00 136	934 00 136	934 00 136	934 00 136	4
19	3/4"-16 Hex Nut (top of air spring)	934 00 149	934 00 149	934 00 149	934 00 149	2
20	Plate Wrapper	900 25 288	900 25 288	900 25 288	900 25 288	
21**	Pivot Bushing	900 08 139	900 08 139	900 08 139	900 08 139	1
22**	Axle Bushing	900 08 149	900 08 149	900 08 149	900 08 149	2
23	Upper Shock Bracket	-	905 19 040	-	905 19 040	2

* 900 45 337 dust cover diameter is 2.75", 900 44 162, 2.5".

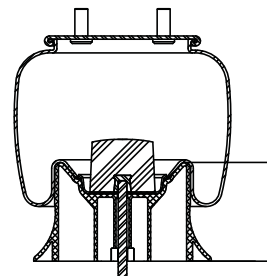
** 900 45 040 stretches to 18", 900 44 642 to 20", 900 44 626 to 24".

*** Replacement components should be purchased in bushing connection SRK kits.



Frame Bracket

"A" DIM	PART NO.
8.25"	905 19 710



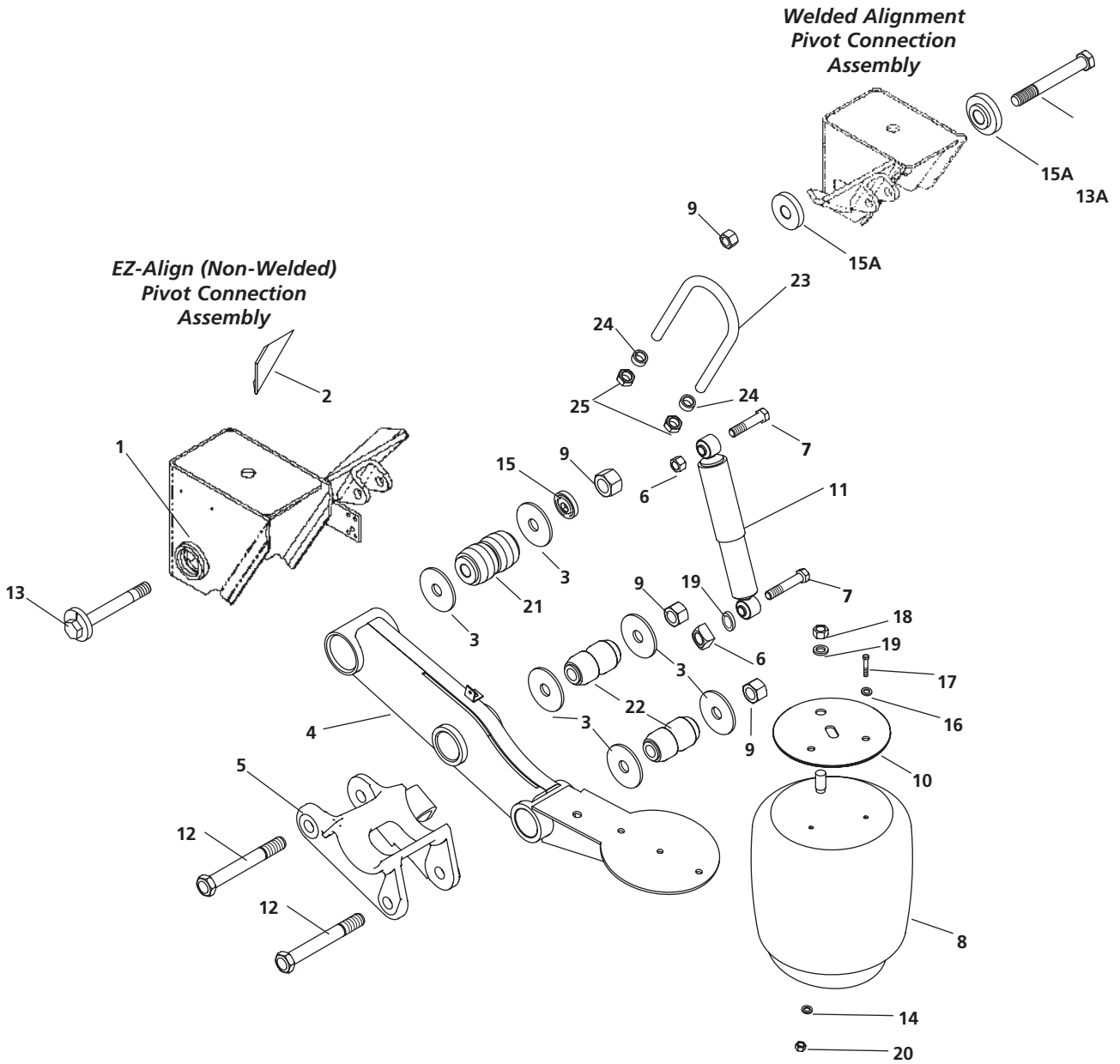
Air Spring

"B" DIM	PART NO.
4.75"	905 57 117
5.66"	905 57 112
7.57"	905 57 124
7.57"	905 57 126

RLU-250 Standard Suspension Exploded View



SAF-HOLLAND Group

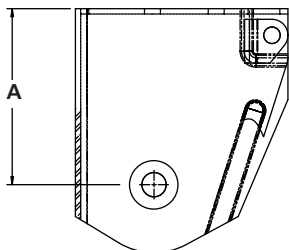




RLU-250 Standard Suspension Parts List

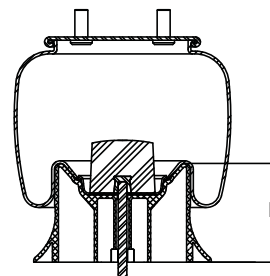
ITEM NO.	DESCRIPTION	RLU-250-6.5	RLU-250-9	RLU-250-12	QTY.
1	Frame Bracket (roadside - Welded Adjustable)	905 21 388	905 21 295	905 21 389	1
	Frame Bracket (roadside - EZ-Align)	905 21 384	905 21 297	905 21 385	1
	Frame Bracket (curbside - Welded Adjustable)	905 21 390	905 21 296	905 21 391	1
	Frame Bracket (curbside - EZ-Align)	905 21 386	905 21 298	905 21 387	1
2	Angle Brace	900 23 002	900 23 002	900 23 002	4
	Angle Brace	900 25 873	900 25 873	900 25 873	4
3	1-1/8" Spacer Washer	900 36 177	900 36 177	900 36 177	12
	1-1/8" Wear Washer	-	-	-	12
4	Equalizing Beam (with adapters - roadside)	905 46 795	905 46 795	905 46 795	1
	Equalizing Beam (roadside)	905 16 873	905 16 873	905 16 873	1
	Equal. Beam (w/ adapters - roadside EZ-Align)	-	-	-	1
	Equalizing Beam (roadside EZ-Align)	-	-	-	1
	Equalizing Beam (with adapters - curbside)	905 46 796	905 46 796	905 46 796	1
	Equalizing Beam (curbside)	905 16 874	905 16 874	905 16 874	1
	Equal. Beam (w/ adapters - curbside EZ-Align)	-	-	-	1
	Equalizing Beam (curbside EZ-Align)	-	-	-	1
5	Axle Adapter (roadside)	905 01 379	905 01 379	905 01 379	1
	Axle Adapter (curbside)	905 01 380	905 01 380	905 01 380	1
6	3/4"-10 Hex Nut (upper shock lock nut)	934 00 492	934 00 492	934 00 492	4
	3/4"-10 Square Nut (for lower shock bolt)	934 00 367	934 00 367	934 00 367	2
7	3/4"-10x3 1/2" Bolt	930 03 597	930 03 597	930 03 597	4
	3/4"-10x4" Bolt (lower shock bolt)	930 03 609	930 03 609	930 03 609	2
8	Air Spring	905 57 235	905 57 235	905 57 243	2
9	1-1/8" Lock Nut	934 00 506	934 00 506	934 00 506	6
10	Air Spring Mtg Plate (ASMP)	900 34 268	900 34 268	900 34 268	2
11	Shock Absorber	900 45 381	900 44 162	900 44 642	2
	Shock Absorber	-	-	-	2
12	1-1/8"-7 Bolt	932 01 051	932 01 051	932 01 051	4
13	1-1/8"-7x9.5" Pivot Bolt Alignment Block Assy (EZ-Align)	905 08 019	905 08 019	905 08 019	1
13A	1-1/8"-7x9.5" Pivot Bolt, Welded Adjustable	932 01 055	932 01 055	932 01 055	1
14	1/2" Washer	936 00 072	936 00 072	936 00 072	2
15	Alignment Block Assembly EZ-Align	900 08 238	900 08 238	900 08 238	1
15A	Alignment Bushing, Welded Adjustable	900 08 198	900 08 198	900 08 198	2
16	3/8" Lock Washer	936 00 515	936 00 515	936 00 515	2
17	3/8"-16x1" Hex Bolt	930 02 571	930 02 571	930 02 571	2
18	3/4"-16 Hex Nut (top of air spring)	934 00 149	934 00 149	934 00 149	4
19	3/4" Washer	936 00 077	936 00 077	936 00 077	4
20	1/2"-13 Hex Nut	934 00 136	934 00 136	934 00 136	2
21*	Pivot Bushing	900 08 139	900 08 139	900 08 139	1
22*	Axle Bushing	900 08 149	900 08 149	900 08 149	2
23	7/8"-9x11" U-Bolt	900 41 170	900 41 170	900 41 170	2
24	7/8" Flat Washer	936 00 162	936 00 162	936 00 162	4
25	7/8"-9 Hex Lock Nut	934 00 498	934 00 498	934 00 498	4

* Replacement components should be purchased in bushing connection SRK kits.



Frame Bracket

"A" DIM	PART NO.
5.06"	905 21 388
8.25"	905 21 295
11.25"	905 21 389



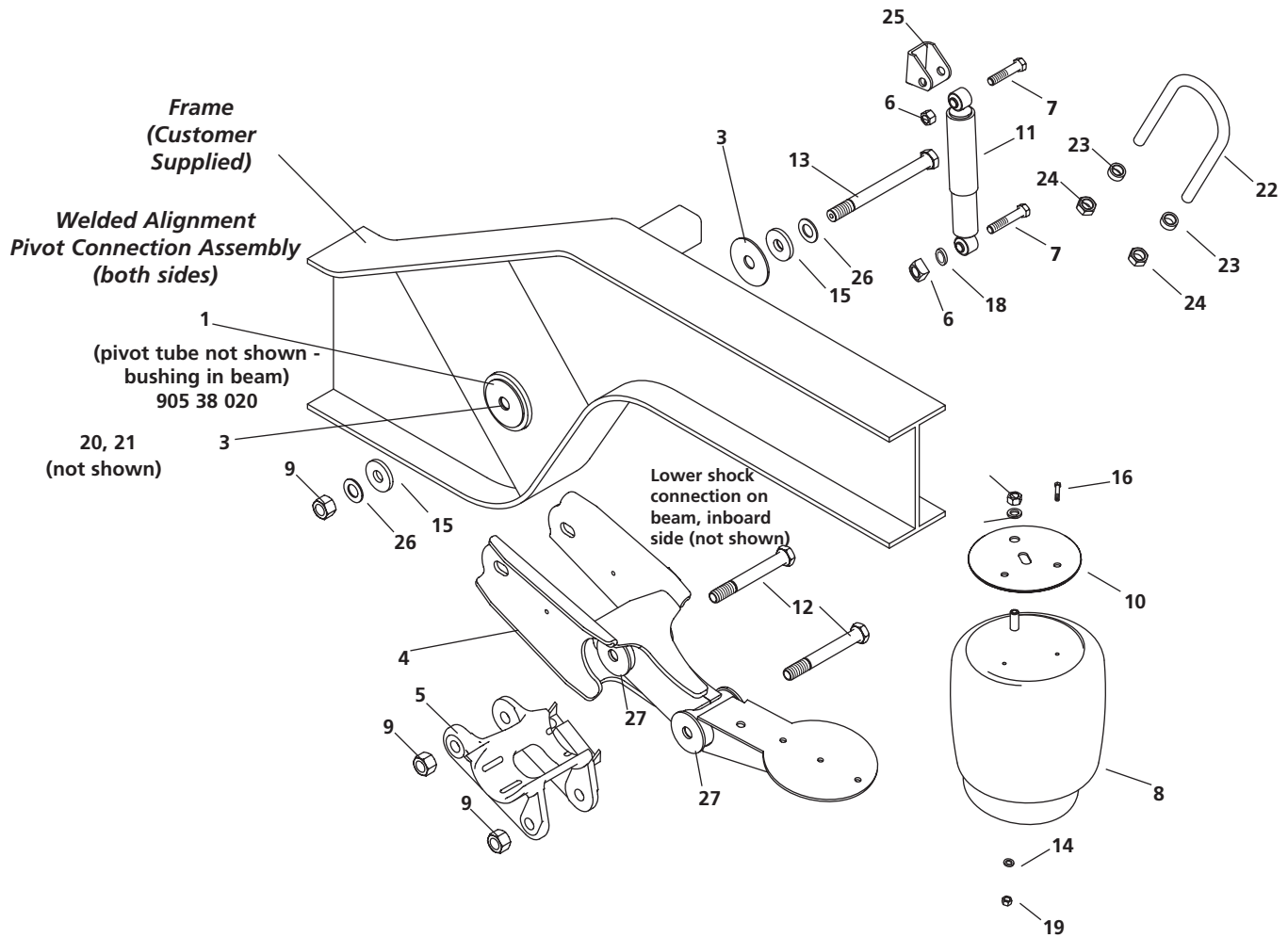
Air Spring

"B" DIM	PART NO.
5.67"	905 57 235
7.57"	905 57 243

RLU-250 Frame Mount (FMT) Suspension Exploded View



SAF-HOLLAND Group

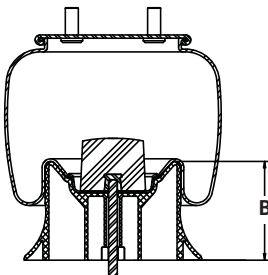




SAF-HOLLAND Group

RLU-250 Frame Mount (FMT) Suspension Parts List

ITEM NO.	DESCRIPTION	RLU-250-6.5-FMT	RLU-250-9-FMT	RLU-250-12-FMT	QTY.
1	Pivot Tube Housing (FMT only), 5.5", 7.0" O.D., 6-5/8" long	900 38 393	900 38 393	900 38 393	2
	Pivot Tube Housing (FMT only), 7.0", 4.5" I.D., 6-5/8" long	905 38 020	905 38 020	905 38 020	2
	Pivot Assembly with rubber bushing (900 08 222) (FMT only) (not shown); 7.0" long	905 38 019	905 38 019	905 38 019	2
3	1-1/8" Spacer Washer	900 36 177	900 36 177	900 36 177	12
4	Equalizing Beam (with adapters - roadside)	905 46 673	905 46 673	905 46 673	1
	Equalizing Beam (roadside)	905 16 892	905 16 892	905 16 892	1
	Equal. Beam (w/ adapters - roadside EZ-Align)	905 45 675	905 45 675	905 45 675	1
	Equalizing Beam (roadside EZ-Align)	905 16 884	905 16 884	905 16 884	1
	Equalizing Beam (with adapters - curbside)	905 46 674	905 46 674	905 46 674	1
	Equalizing Beam (curbside)	905 16 893	905 16 893	905 16 893	1
	Equal. Beam (w/ adapters - curbside EZ-Align)	905 46 676	905 46 676	905 46 676	1
	Equalizing Beam (curbside EZ-Align)	905 16 885	905 16 885	905 16 885	1
	5	Axle Adapter (roadside)	900 01 299	900 01 299	900 01 299
	Axle Adapter (curbside)	900 01 300	900 01 300	900 01 300	1
6	3/4"-10 Hex Nut (upper shock lock nut)	934 00 492	934 00 492	934 00 492	4
	3/4"-10 Square Nut (for lower shock bolt)	934 00 367	934 00 367	934 00 367	2
7	3/4"-10x3 1/2" Bolt	930 03 597	930 03 597	930 03 597	4
	3/4"-10x4" Bolt (lower shock bolt)	930 03 609	930 03 609	930 03 609	2
8	Air Spring	905 57 235	905 57 235	905 57 243	2
9	1-1/8" Lock Nut	934 00 506	934 00 506	934 00 506	6
10	Air Spring Mtg Plate (ASMP)	900 34 268	900 34 268	900 34 268	2
11	Shock Absorber	900 45 381	900 45 381	900 45 054	2
	Shock Absorber	-	900 44 162	-	2
12	1-1/8"-7 Bolt	932 01 051	932 01 051	932 01 051	4
	Alignment Block Assembly EZ-Align	905 08 016	905 08 016	905 08 016	2
13	1-1/8"-7x12" Pivot Bolt	932 01 064	932 01 064	932 01 064	2
14	1/2" Washer	936 00 072	936 00 072	936 00 072	2
15	1-1/8" Washer, Flat	936 00 515	936 00 515	936 00 515	2
16	3/8"-16x1" Hex Bolt	930 02 571	930 02 571	930 02 571	2
17	3/4"-16 Hex Nut (top of air spring)	934 00 149	934 00 149	934 00 149	4
18	3/4" Washer	936 00 077	936 00 077	936 00 077	4
19	1/2" - 13 Hex Nut	934 00 136	934 00 136	934 00 136	2
20	Pivot Bushing	900 08 139	900 08 139	900 08 139	1
21	Axle Bushing	900 08 149	900 08 149	900 08 149	2
22	7/8"-9x11" U-Bolt	900 41 170	900 41 170	900 41 170	4
23	7/8" Flat Washer	936 00 162	936 00 162	936 00 162	4
24	7/8"-9 Hex Lock Nut	934 00 498	934 00 498	934 00 498	4
25	Shock Bracket Upper	905 19 040	905 19 040	905 19 040	2
26	1-1/8" Washer, Flat Narrow	936 00 174	936 00 174	936 00 174	2
27	1-1/8" Wear Washer	936 00 530	936 00 530	936 00 530	4



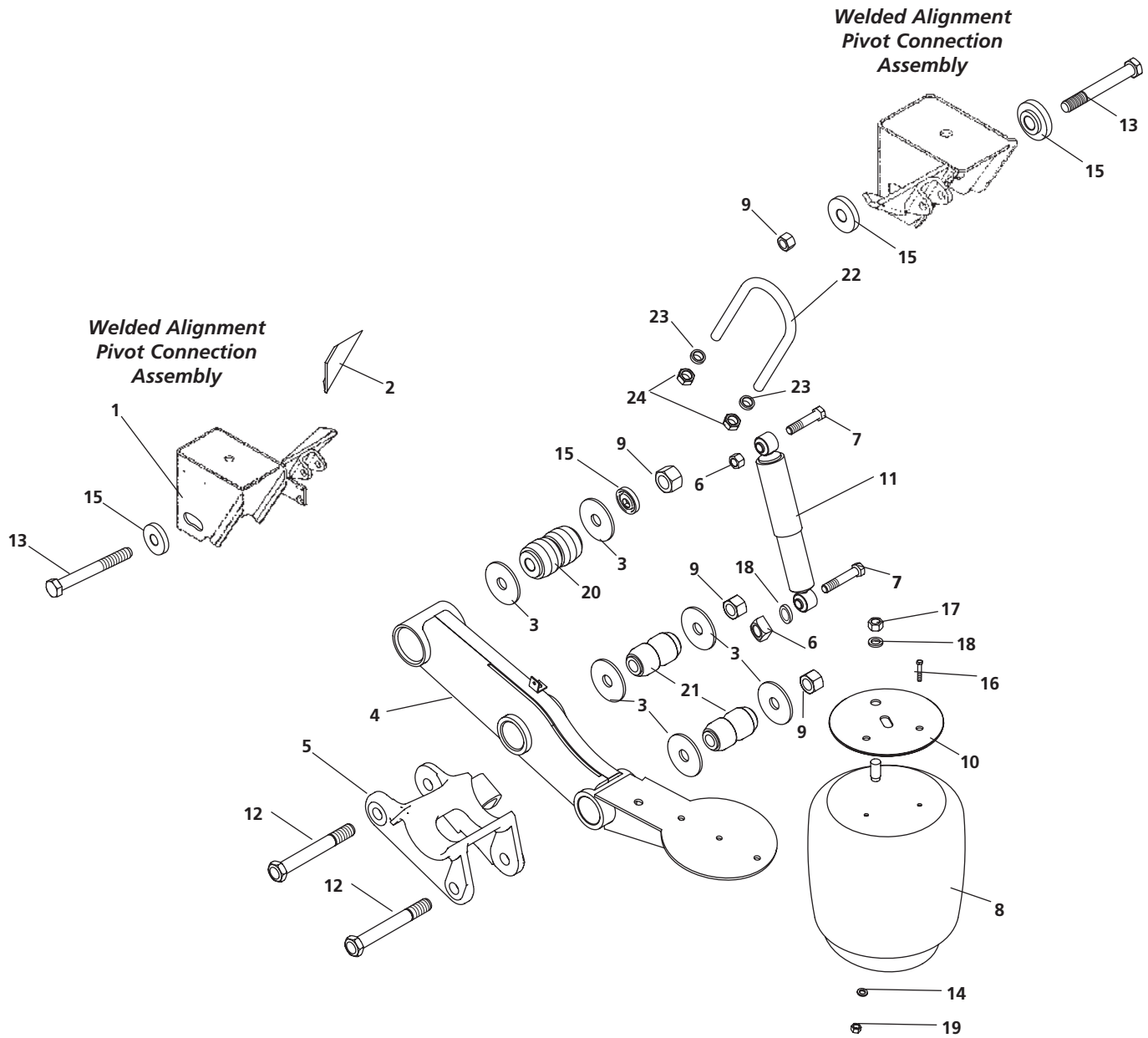
Air Spring

"B" DIM	PART NO.
6.5"	905 57 235
12.0"	905 57 243

RLU-300 Standard Suspension Exploded View



SAF-HOLLAND Group



ITEM NO.	DESCRIPTION	RLU-300-6.5	RLU-300-9	RLU-300-12	QTY.
1	Frame Bracket (roadside - Welded Adjustable)	905 21 388	905 21 295	905 21 655	1
	Frame Bracket (curbside - Welded Adjustable)	905 21 390	905 21 696	905 21 656	1
2	Angle Brace	900 23 002	900 23 002	900 23 002	4
	Angle Brace	900 25 873	900 25 873	900 25 873	4
3	1-1/8" Spacer Washer	900 36 177	900 36 177	900 36 177	12
4	Equalizing Beam (with adapters - roadside)	905 47 853	905 47 853	905 46 795	1
	Equalizing Beam (roadside)	905 17 034	905 17 034	905 16 873	1
	Equalizing Beam (with adapters - curbside)	905 47 854	905 47 854	905 47 854	1
	Equalizing Beam (curbside)	905 17 035	905 17 035	905 17 035	1
5	Axle Adapter (roadside)	905 01 379	905 01 379	905 01 379	1
	Axle Adapter (curbside)	905 01 380	905 01 380	905 01 380	1
6	3/4"-10 Hex Nut (upper shock lock nut)	934 00 492	934 00 492	934 00 492	4
	3/4"-10 Square Nut (for lower shock bolt)	934 00 367	934 00 367	934 00 367	2
7	3/4"-10x3 1/2" Bolt	930 03 597	930 03 597	930 03 597	4
	3/4"-10x4" Bolt (lower shock bolt - Short Beam)	930 03 609	930 03 609	930 03 609	2
8	Air Spring	905 57 111	905 57 111	905 57 185	2
9	1-1/8" Lock Nut	934 00 506	934 00 506	934 00 506	6
10	Air Spring Mtg Plate (ASMP)	900 33 785	900 33 785	900 33 785	2
11	Shock Absorber	900 45 471	900 45 337	900 45 444	2
12	1-1/8"-7 Bolt	932 01 051	932 01 051	932 01 051	4
13	1-1/8"-7x9.5" Pivot Bolt (Welded Alignment)	932 01 055	932 01 055	932 01 055	2
14	1/2" Washer	936 00 072	936 00 072	936 00 072	2
15	Alignment Block (Welded Alignment)	900 08 147	900 08 198	900 08 198	4
16	1/2"-13x1" Bolt	930 02 893	930 02 893	930 02 893	4
17	3/4"-16 Hex Nut (top of air spring)	934 00 149	934 00 149	934 00 149	2
18	3/4" Washer	936 00 077	936 00 077	936 00 077	4
19	1/2"-13 Nut	934 00 136	934 00 136	934 00 136	2
20*	Pivot Bushing	900 08 139	900 08 139	900 08 139	1
21*	Axle Bushing	900 08 149	900 08 149	900 08 149	2
22	7/9"-9x11" U-Bolt	900 41 170	900 41 170	900 41 170	2
23	7/8" Flat Washer	936 00 162	936 00 162	936 00 162	4
24	7/8"-9 Hex Lock Nut	934 00 498	934 00 498	934 00 498	4

* Replacement components should be purchased in bushing connection SRK kits listed below.

SRK-524 - Pivot

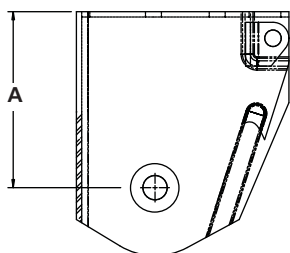
481 00 388

DESCRIPTION	PART NO.	QTY
Bushing	900 08 139	2
Washer Flat 1.141"	900 36 177	4
Bolt Hex 1.12"-7 x 8.5" GR 8	932 01 069	2
Nut Hex Lock 1.125"-7 GR C	934 00 506	2
Literature Instructions	XL-AR453	1

SRK-149 - Axle

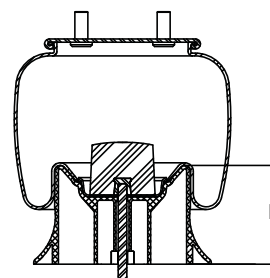
481 00 206

DESCRIPTION	PART NO.	QTY
Bolt Hex 1.125"-7 x 8.5" GR 8	932 01 051	4
Nut Hex Lock 1.125"-7 GR C	934 00 506	4
Bushing	900 08 149	4
Washer Spacer	900 36 175	8
Washer Flat 1.141"	900 36 177	8
Literature Instruction	941 00 509	1



Frame Bracket

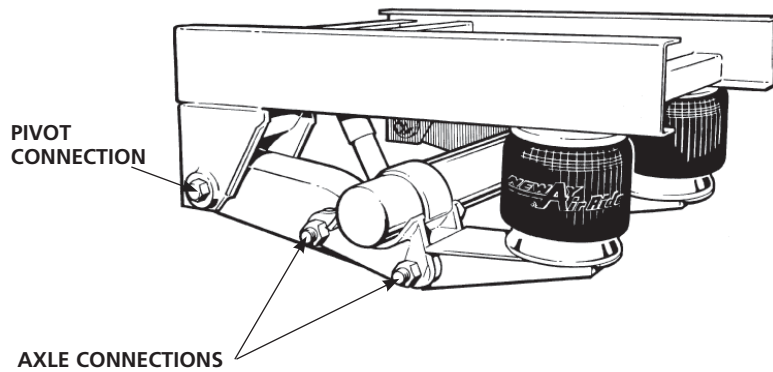
"A" DIM	PART NO.
5.06"	905 21 388
8.25"	905 21 295
10.59"	905 21 655



Air Spring

"B" DIM	PART NO.
5.50"	905 57 111
7.00"	905 57 185

RLU Suspension Service Repair Kits (SRKs)



When servicing your RLU Series suspension, use the convenient service repair kits noted below.

Descriptions are found below and below the parts list for each suspension.

PIVOT CONNECTION:

One (1) SRK Required per axle.

PIVOT AND AXLE CONNECTION SERVICE REPAIR KIT CHART

Model RLU-228 Pivot Connection - EZ and Welded Alignments

Bolt Type 1055 / 1069	Description	SRK	Holland Part No.
1055	Bolts, Nuts, and Bushings	SRK-145	481 00 202
1055	1 EZ-Alignment / 1 Welded Alignment	SRK-520	481 00 384
	2 EZ-Alignment	SRK-521	481 00 385
1069	1 EZ-Alignment / 1 Welded Alignment	SRK-525	481 00 389
1069	2 Welded Alignment	SRK-456	481 00 319

Model RLU-228 Axle Connection

Bolt Type	Description	SRK	Holland Part No.
1051	1-Piece Adapter	SRK-149	481 00 206

NOTE: Bushing connection kits should be purchased as SRKs listed here

Model RLU-250 Pivot Connection - EZ and Welded Alignments

Bolt Type 1055 / 1069	Description	SRK	Holland Part No.
1069	2 Welded Alignment	SRK-524	481 00 388
1069	1 EZ-Alignment / 1 Welded Alignment	SRK-519	481 00 383
	2 EZ-Alignment	SRK-522	481 00 386
1055	1 EZ-Alignment / 1 Welded Alignment	SRK-523	481 00 387

Model RLU-250 Axle Connection - 1-Piece Adapter

Bolt Type	Description	SRK	Holland Part No.
1051	1-Piece Adapter	SRK-149	481 00 206

Model RLU-300 Pivot Connection - Welded Alignments

Bolt Type 1055 / 1069	Description	SRK	Holland Part No.
1069	2 Welded Alignment	SRK-524	481 00 388

Model RLU-300 Axle Connection - 1-Piece Adapter

Bolt Type	Description	SRK	Holland Part No.
1051	1-Piece Adapter	SRK-149	481 00 206



RLU PIVOT AND AXLE CONNECTION REPLACEMENT KIT CHARTS

SRK-145 - Pivot

481 00 202

DESCRIPTION	PART NO.	QTY
Bolt Hex 1.125"-7 x 9.5" GR 8	932 01 055	2
Nut Hex Lock 1.125"-7 GR C	934 00 506	2
Bushing	900 08 139	2
Washer Flat 1.141"	900 36 177	4
Pivot Connection Instructions	XL-AK406	1
Decal, Torque Specifications	XL-AR355	1

SRK-149 - Axle

481 00 206

DESCRIPTION	PART NO.	QTY
Bolt Hex 1.125"-7 x 8.5" GR 8	932 01 051	4
Nut Hex Lock 1.125"-7 GR C	934 00 506	4
Bushing	900 08 149	4
Washer Spacer	900 36 175	8
Washer Flat 1.141"	900 36 177	8
Literature Instruction	XL-AR453	1

SRK-232 - Pivot

481 00 294

DESCRIPTION	PART NO.	QTY
Bushing	900 08 139	1
Washer Flat 1.141"	900 36 177	2
Alignment Block	905 08 019	1
Alignment Block Non Weld	900 08 238	1
Nut Hex Lock 1.125"-7 GR C	934 00 506	1
Literature Instructions	XL-AR453	1

SRK-519 - Pivot

481 00 383

DESCRIPTION	PART NO.	QTY
Bolt Hex 1.12"-7 x 8.5" GR 8	932 01 069	1
Nut Hex Lock 1.125"-7 GR C	934 00 506	2
Bushing	900 08 139	2
Washer Flat 1.141"	900 36 177	4
Alignment Block	905 08 019	1
Alignment Block Non Weld	900 08 238	1
Welded Axle Alignment Ins; EZ-Align Axle Alignment Ins.	XL-AR354	1
Decal, Torque Specification	XL-AR355	1

SRK-522 - Pivot

481 00 386

DESCRIPTION	PART NO.	QTY
Bushing	900 08 139	2
Washer Flat 1.141"	900 36 177	4
Alignment Block	905 08 019	2
Alignment Block Non Weld	900 08 238	2
Nut Hex Lock 1.125"-7 GR C	934 00 506	2
Welded Axle Alignment Ins; EZ-Align Axle Alignment Ins.	XL-AR354	1
Decal, Torque Specification	XL-AR355	1

SRK-523 - Pivot

481 00 387

DESCRIPTION	PART NO.	QTY
Bushing	900 08 139	2
Washer Flat 1.141"	900 36 177	4
Alignment Block	905 08 019	1
Alignment Block Non Weld	900 08 238	1
Nut Hex Lock 1.125"-7 GR C	934 00 506	2
Bolt Hex 1.125"-7 x 9.5" GR 8	932 01 055	1
Welded Axle Alignment Ins; EZ-Align Axle Alignment Ins.	XL-AR354	1
Decal, Torque Specification	XL-AR355	1

SRK-524 - Pivot

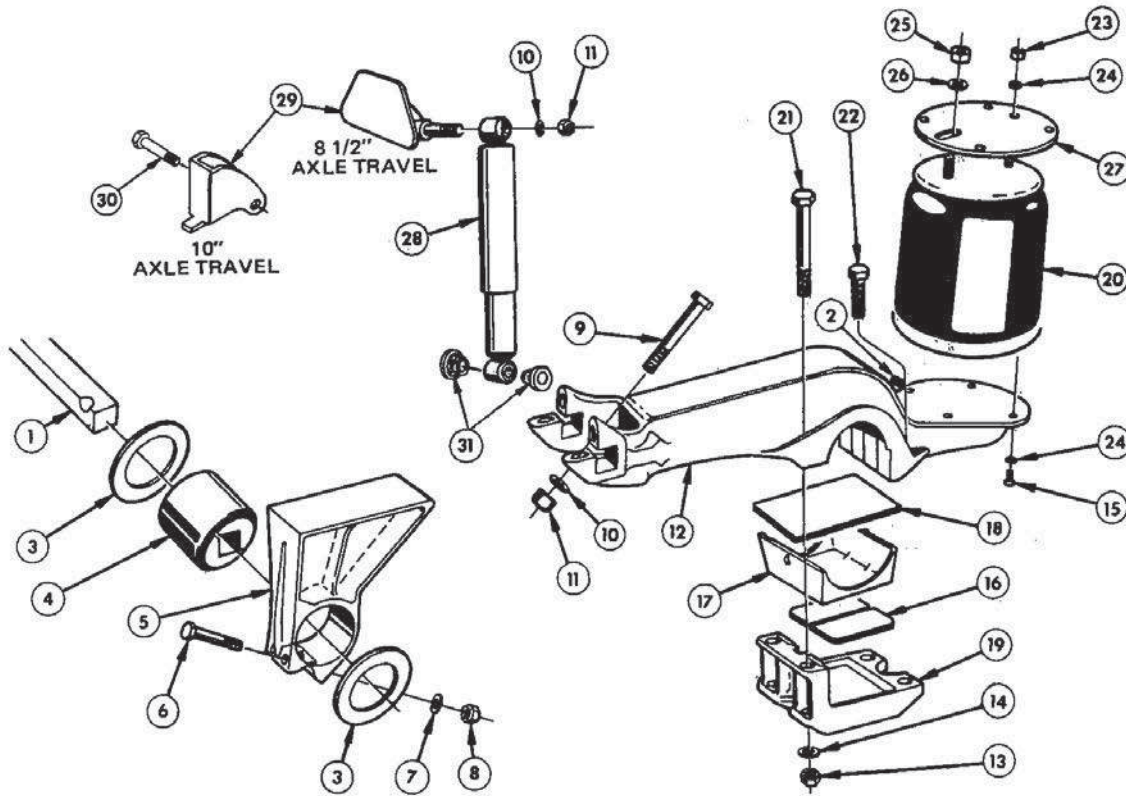
481 00 388

DESCRIPTION	PART NO.	QTY
Bushing	900 08 139	2
Washer Flat 1.141"	900 36 177	4
Bolt Hex 1.12"-7 x 8.5" GR 8	932 01 069	2
Nut Hex Lock 1.125"-7 GR C	934 00 506	2
Literature Instructions	XL-AR453	1

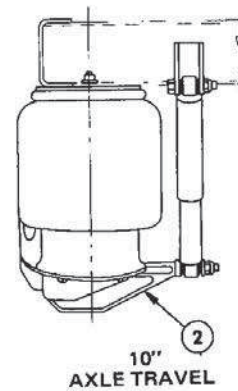
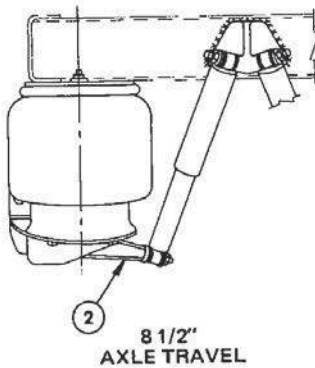
AR-120, AR-120-L, AR125, AR125-L Exploded View



SAF-HOLLAND Group



NOTE: For 15" wheel axle connection parts, with cam on horizontal centerline, refer to page 3-119.



DISCONTINUED MODEL SERVICE PARTS ONLY

Please contact Customer Service for part availability
888.396.6501



AR-120, AR-120-L, AR-125, AR125-L Parts List

SAF-HOLLAND Group

ITEM	PART NO.	DESCRIPTION	QTY REQD	MODEL
1*	900 06 003	Torsion Bar 42 7/8 (Other Lengths Available)	1	All
2	905 18 008	Lower Shock Mounting Bracket	2	AR-120, AR-125
	905 18 009	Lower Shock Mounting Bracket	2	AR-120-L, AR-125-L
3	936 00 035	Spacer Washer 3 17/32 x 5 1/2 x 1/4"	4	All
4	905 08 001	Rubber Bushing	2	All
5	900 18 010	Frame Bracket	2	All
6	930 03 395	Cap Screw 5/8-11 x4" Gr8	4	All
7	936 00 150	Washer 5/8 HT	4	All
8	934 00 490	Lock Nut 5/8-11 GrC	4	All
9	930 03 633	Cap Screw 3/4-10 x5" Gr5	4	All
10	936 00 156	Washer 3/4 HT	8	All
11	934 00 492	Lock Nut 3/4-10 GrB	8	All
12	905 15 009	Equalizing Beam LH (Includes Item #2)	1	All
	905 15 010	Equalizing Beam RH (Includes Item #2)	1	All
13	934 00 496	Lock Nut 7/7-9 GrB	8	All
14	936 00 162	Washer 7/8 HT	8	All
15	930 02 893	Hex Cap Screw 1/2-13 x 1" Gr2	8	All
16	900 28 083	Rubber Pad	2	All
17	900 01 082	Axle Adapter	2	All
18	900 28 007	Rubber Wrapper	2	All
19	900 10 001	Axle Cap	2	All
20	905 57 027	Air Spring Assembly	2	AR-120
	905 57 009	Air Spring Assembly	2	AR-120-L
	905 57 078	Air Spring Assembly	2	AR-125
	905 57 077	Air Spring Assembly	2	AR-125-L
21	939 00 178	Rod Bolt 7/8-9 x 6" Gr5	4	All
22	932 00 754	Rod Bolt 7/8-9 x 2 3/4" Gr5	4	All
23	934 00 136	Hex Nut 1/2-13 GrB	8	All
24	936 00 072	Lock Washer	16	All
25	934 00 149	Hex Nut 3/4-16 GrB	2	All
26	936 00 077	Lock Washer 3/4	2	All
27	900 33 785	Air Spring Mounting Plate	2	All
28	900 44 626	Shock Absorber	2	All
29	905 18 011	Upper Shock Mounting Bracket	1	AR-120, AR-125
	905 18 301	Upper Shock Mounting Bracket	2	AR-120-L, AR-125-L
30	930 03 597	Cap Screw 3/4-10 x 3 1/2" Gr5	2	AR-120-L, AR-125-L
31	905 08 004	Replacement Shock Bushing	8	All

SERVICE REPAIR KITS

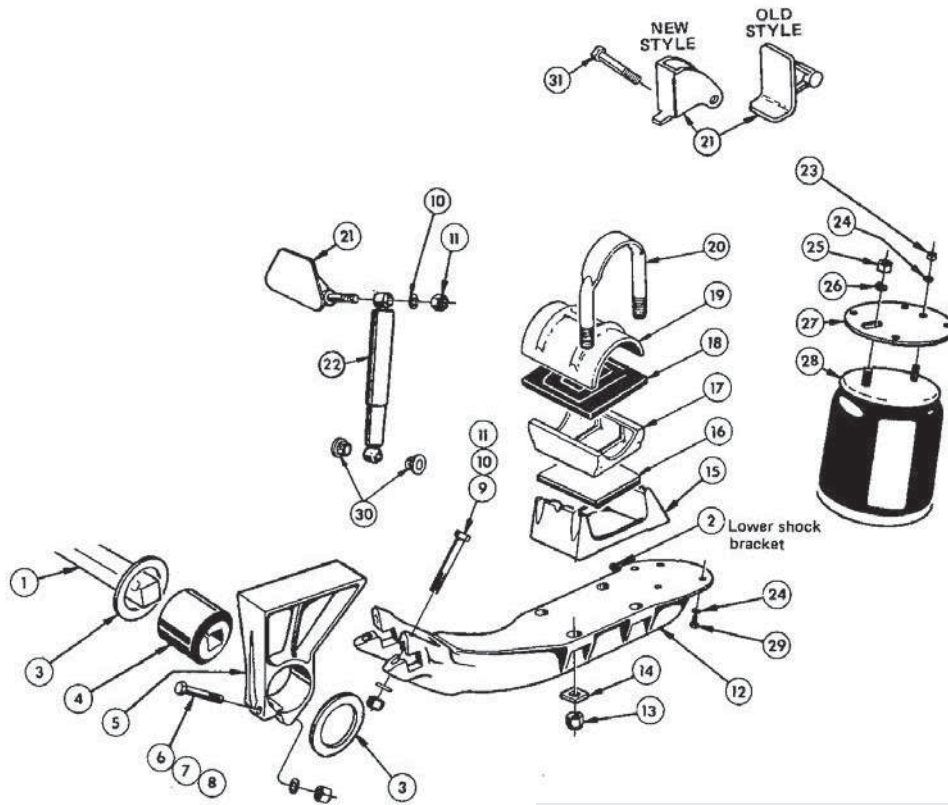
481 00 022	SRK-11 - Pivot Connection (Includes Torsion Bar)	1	All
481 00 132	SRK-11A - Pivot Connection (Less Torsion Bar)	1	All
481 00 016	SRK-15 - Axle Connection (5" Round)	1	All

* Torsion Bar Length = Beam Centers + 7 7/8"

AR-120-US, AR-120-US-L, AR125-US, AR-125-US-L Exploded View

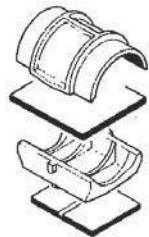


SAF-HOLLAND Group

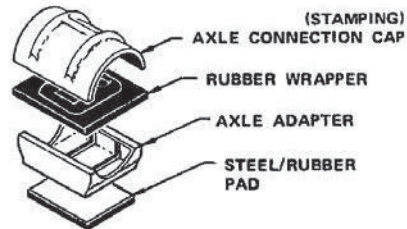


NOTE: For 15" wheel axle connection parts, with cam on horizontal centerline, refer to page 3-119.

OLD STYLE



NEW STYLE



**DISCONTINUED MODEL
SERVICE PARTS ONLY**

Please contact Customer Service for part availability
888.396.6501



SAF-HOLLAND Group

AR-120-US, AR-120-US-L, AR125-US, AR-125-US-L Parts List

ITEM	PART NO.	DESCRIPTION	QTY REQD	MODEL
1*	N/A	Torsion Bar 42 7/8 (Other Lengths Available)	1	All
2	905 18 008	Lower Shock Mounting Bracket	2	AR-120/125-US
	905 18 027	Lower Shock Mounting Bracket	2	AR-120/125-US-L-1,-2,-3
3	936 00 035	Spacer Washer 3 17/32 x 5 1/2 x 1/4"	4	All
4	N/A	Rubber Bushing	2	All
5	900 18 010	Frame Bracket	2	AR-120/125-US
	900 18 011	Frame Bracket	2	AR-120/125-US-L-1,-2,-3
6	930 03 389	Cap Screw 5/8-11 x 3 3/4" Gr8	4	All
7	936 00 150	Washer 5/8 HT	4	All
8	934 00 490	Lock Nut 5/8-11 GrC	4	All
9	930 03 633	Cap Screw 3/4-10 x5" Gr5	4	All
10	936 00 156	Washer 3/4 HT	8	All
11	934 00 492	Lock Nut 3/4-10 GrB	8	All
12	905 15 026	Equalizing Beam LH (Includes Item #2)	1	AR-120/125-US
	905 15 021	Equalizing Beam LH (Includes Item #2)	1	AR-120/125-US-L-1,-2,-3
	905 15 027	Equalizing Beam RH (Includes Item #2)	1	AR-120/125-US
	905 15 022	Equalizing Beam RH (Includes Item #2)	1	AR-120/125-US-L-1,-2,-3
13	934 00 502	Lock Nut 1-8 Grc	8	All
14	936 00 028	Washer 1Sq	8	All
15	900 01 006	Axle Beam Seat 3 1/2 High	2	AR-120/125-US, -L-3
	900 01 119	Axle Beam Seat HD	2	AR-120/125-US
	900 01 007	Axle Beam Seat 5 1/4 High	2	AR-120/125-US-L-2
	900 01 008	Axle Beam Seat 6 1/2 High	2	AR-120/125-US-L-1
16	900 28 083	Steel Rubber Pad (New Style)	2	All
	900 28 016	Rubber Pad (Old Style)	2	All
17	900 01 082	Axle Adapter (New Style)	2	All
18	900 28 047	Rubber Wrapper (New Style)	2	All
	900 28 007	Rubber Wrapper (Old Style)	2	All
19	900 10 032	Axle Cap (New Style)	2	All
20	900 41 878	U-Bolt 1-8 x9 Gr8 5 Rd Axle	4	AR-120/125-US, -L-3
	900 41 886	U-Bolt 1-8 x 11 5 Rd Axle	4	AR-120/125-US-L-2
	900 42 792	U-Bolt 1-8 x 12 1/2 5 Rd Axle	4	AR-120/125-US-L-1
21	905 18 011	Upper Shock Mounting Bracket	1	AR-120/125-US
	900 18 301	Upper Shock Mounting Bracket	2	AR-120/125-US-L-1,-2,-3
22	900 44 626	Shock Absorber	2	AR-120/125-US
	900 44 625	Shock Absorber	2	AR-120/125-US-L-1,-2,-3
23	934 00 136	Hex But 1/2-13 GrB	8	All
24	936 00 072	Lock Washer 1/2	16	All
25	934 00 149	Hex But 3/4 - 16 GrB	2	All
26	936 00 077	Lock Washer 3/4	2	All
27	900 33 785	Air Spring Mounting Plate	2	All
28	905 57 027	Air Spring Assembly	2	AR-120-US
	905 57 078	Air Spring Assembly	2	AR-125-US
	905 57 009	Air Spring Assembly	2	AR-120-US-L-1,-2,-3
	905 57 077	Air Spring Assembly	2	AR-125-US-L-1,-2,-3
29	930 02 893	Cap Screw 1/2-13 x 1" Gr2	8	All
30	905 08 004	Replacement Shock Bushing	8	All
31	930 03 597	Cap Screw 3/4 - 10 x 3 1/2" GrB	2	AR-120/125-US-L_1,-2,-3

SERVICE REPAIR KITS

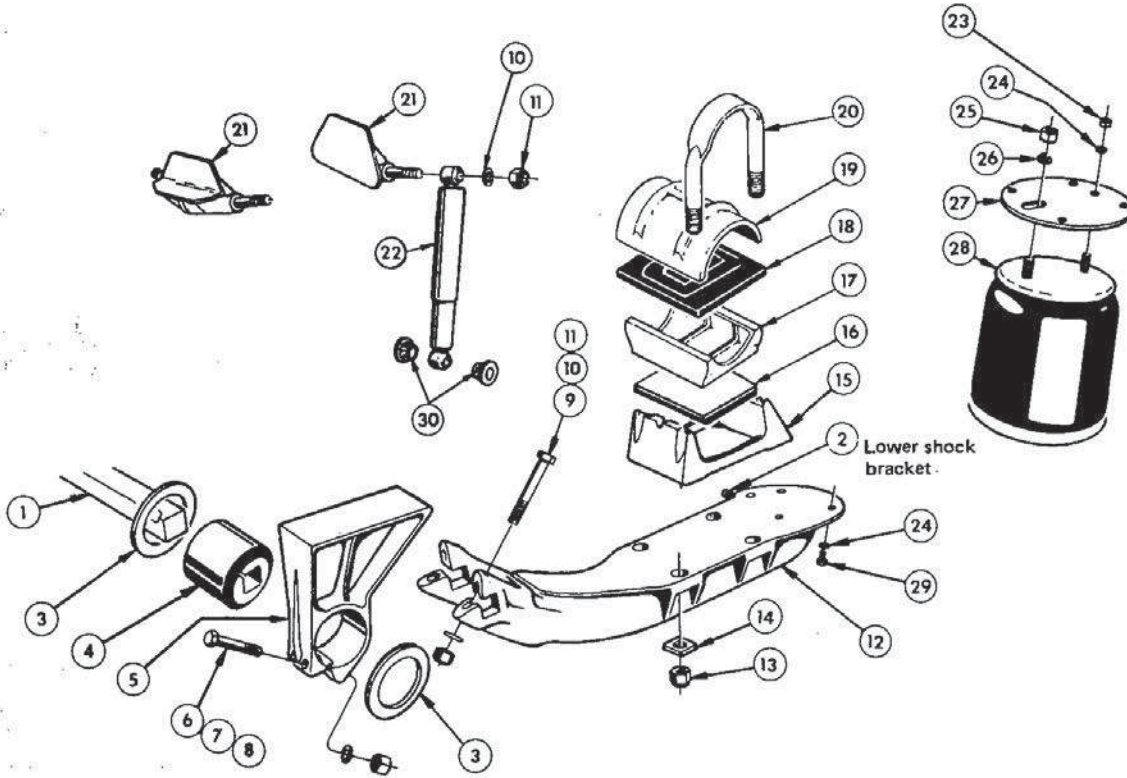
481 00 008	SRK-4 - Axle Connection (5" Round: Old Style)	1	AR-120/AR-125-US, AR-120/AR-125-US-L-3
481 00 108	SRK-64 - Axle Connection (5" Round: New Style)	1	AR-120/AR-125-US, AR-120/AR-125-US-L-3
481 00 110	SRK-66 - Axle Connection (5" Round: New Style)	1	AR-120/AR-125-US-L-2
481 00 112	SRK-68 - Axle Connection (5" Square: New Style)	1	AR-120/AR-125-US, AR-120/AR-125-US-L-3
481 00 181	SRK-128 - Axle Connection (5" Round: New Style)	1	AR-120/AR-125-US-L-1

* Torsion Bar Length = Beam Centers + 7 7/8"

AR-120-US-F, AR-125-US-F Exploded View



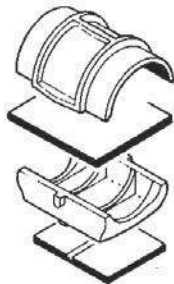
SAF-HOLLAND Group



NOTE: For 15" wheel axle connection parts, with cam on horizontal centerline, refer to page 3-119.

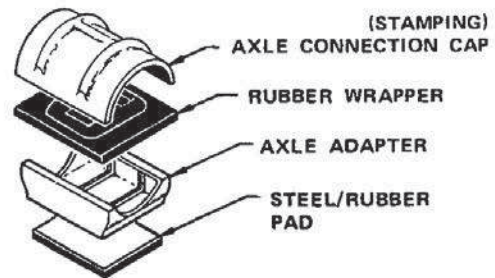
OLD STYLE

5" Rd. & 5" Sq.



NEW STYLE

5" Rd. (all parts) & 5" Sq. (axle adapter & pad)



DISCONTINUED MODEL SERVICE PARTS ONLY

Please contact Customer Service for part availability
888.396.6501



ITEM	PART NO.	DESCRIPTION	QTY REQD	MODEL
1*	N/A	Torsion Bar 42 7/8 (Other Lengths Available)	1	All
2	905 18 008	Lower Shock Mounting Bracket	2	All
3	936 00 035	Spacer Washer 3 17/32 x 5 1/2 x 1/4"	4	All
4	N/A	Rubber Bushing	2	All
5	900 18 010	Frame Bracket	2	All
6	930 03 389	Cap Screw 5/8-11 x3-3/4" Gr8	4	All
7	936 00 150	Washer 5/8 HT	4	All
8	934 00 490	Lock Nut 5/8-11 GrC	4	All
9	930 03 633	Cap Screw 3/4-10 x5" Gr5	4	All
10	936 00 156	Washer 3/4 HT	8	All
11	934 00 492	Lock Nut 3/4-10 GrB	8	All
12	905 15 610	Equalizing Beam LH (Includes Item #2)	1	All
	905 15 611	Equalizing Beam RH (Includes Item #2)	1	All
13	934 00 502	Lock Nut 1-8 GrC	8	All
14	936 00 028	Square Washer 1	8	All
15	900 01 006	Axle Beam Seat 3-1/2" High	2	All
16	900 28 083	Steel Rubber Pad (New Style)	2	All
	900 28 016	Rubber Pad (Old Style)	2	All
17	900 01 082	Axle Adapter (New Style)	2	All
18	900 28 047	Rubber Wrapper (New Style)	2	All
	900 28 007	Rubber Wrapper (Old Style)	2	All
19	900 10 032	Axle Cap (New Style)	2	All
20	900 41 878	U-Bolt 1-8 x 9 Gr8	4	All
21	905 18 011	Upper Shock Mounting Bracket	1	All
22	900 44 626	Shock Absorber	2	All
23	934 00 136	Hex Nut 1/2 - 13 GrB	8	All
24	936 00 072	Lock Washer 1/2	16	All
25	934 00 149	Hex Nut 3/4-16 GrB	2	All
26	936 00 077	Lock Washer 3/4	2	All
27	900 33 785	Air Spring Mounting Plate	2	All
28	905 57 027	Air Spring Assembly	2	AR-120-US-F
	905 57 078	Air Spring Assembly	2	AR-125-US-F
29	930 02 893	Cap Screw 1/2 - 13 x 1" Gr2	8	All
30	905 08 004	Replacement Shock Bushing	8	All

SERVICE REPAIR KITS

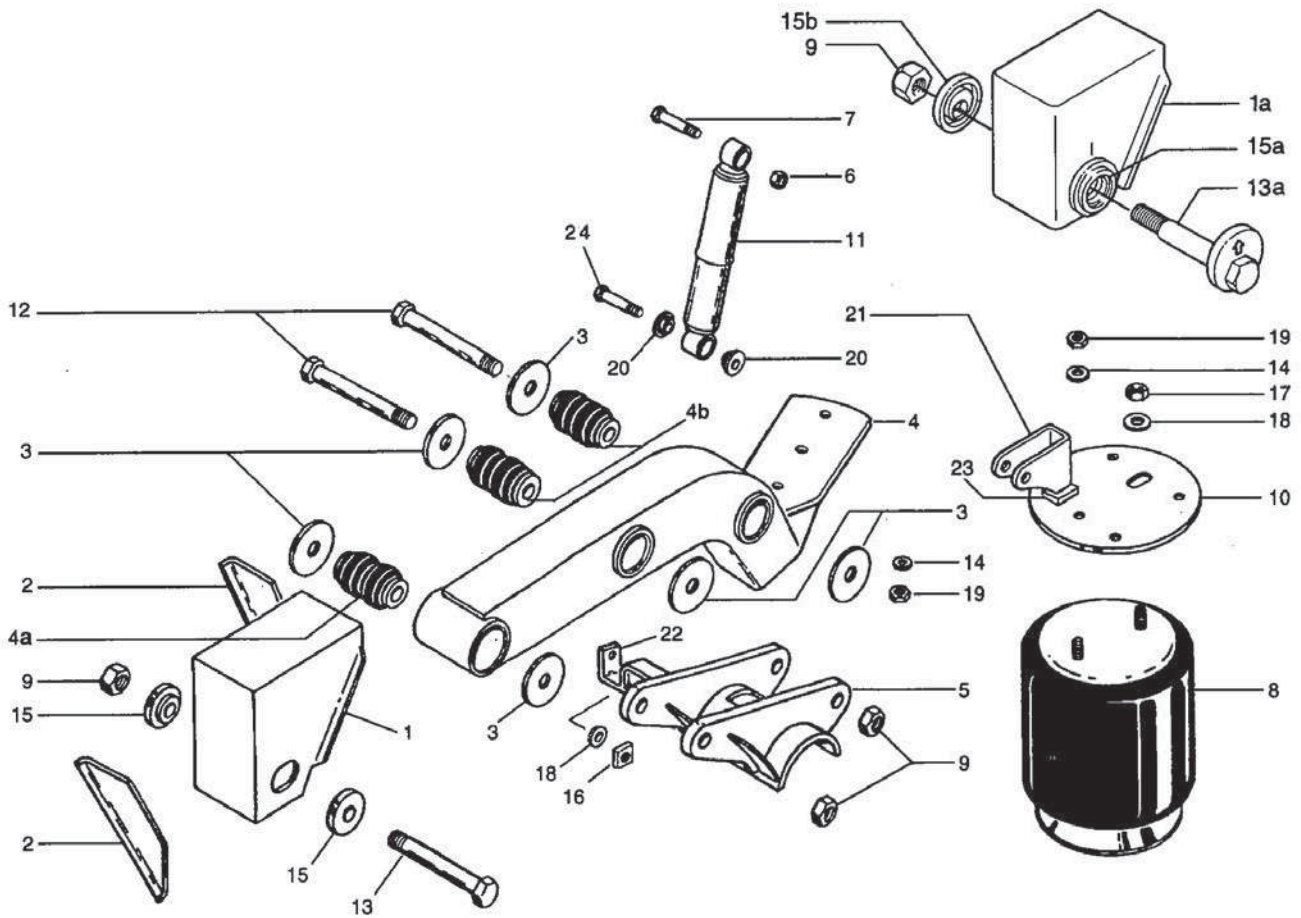
	481 00 008	SRK-4 - Axle Connection (5"Round: Old Style)	1	All
	481 00 108	SRK-64 - Axle Connection (5"Round: New Style)	1	All
	481 00 112	SRK-66 - Axle Connection (5"Square: New Style)	1	All

* Torsion Bar Length = Beam Centers + 7 7/8"

AR-250-12, -14, -15, -16, -17 Exploded View



SAF-HOLLAND Group



**DISCONTINUED MODEL
SERVICE PARTS ONLY**
Please contact Customer Service for part availability
888.396.6501



SAF-HOLLAND Group

AR-250-12, -14, -15, -16, -17 Parts List

ITEM	PART NO.	DESCRIPTION	QTY REQD	RIDE HEIGHT
1	905 20 383	Adjustable Frame Bracket	2*	12
	905 19 710	Adjustable Frame Bracket	2*	14,15
	905 20 828	Adjustable Frame Bracket	2*	16,17
1a	905 20 636	Non-Weld (EZ-ALIGN) Frame Bracket (Includes Item #15a)	1	14,15
	905 20 839	Non-Weld (EZ-ALIGN) Frame Bracket (Includes Item #15a)	1	16,17
2	900 23 002	Angle Brace	4	12,14,15
	900 23 001	Angle Brace	4	16,17
3	900 36 177	Spacer Washer	12	All
4	905 16 587	Equalizing Beam LH (Includes Item #4a, 4b)	1	All
	905 16 588	Equalizing Beam RH (Includes Item #4a, 4b)	1	All
4a	900 08 139	Rubber Bushing (Front Pivot)	2	All
4b	900 08 149	Rubber Bushing (Axle Connection)	4	All
5	905 01 289	Axle Adapter LH	1	All
	905 01 290	Axle Adapter RH	1	All
6	934 00 492	Lock Nut 3/4 - 10 GrB	2	All
7	930 03 597	Cap Screw 3/4 - 10 x 3 1/2" Gr5	2	All
8	905 57 168	Air Spring Assembly	2	12,16,17
	905 57 167	Air Spring Assembly	2	14,15
9	934 00 506	Lock Nut 1-1/8" -7	6	All
10	900 33 785	Air Spring Mounting Plate	2	All
11	900 45 054	Shock Absorber	2	12
	900 44 642	Shock Absorber	2	14,15
	900 44 089	Shock Absorber	2	16,17
12	932 01 051	Cap Screw 1-1/8 - 7 x 8-1/2"	4	All
13	932 01 055	Cap Screw 1 -1/8 - 7 x 9 1/4"	2*	All
13a	905 08 009	Cap Screw 1 -1/8 - 7 x 9 1/4" (Non-Weld Application)	1	All
14	936 00 072	Lock Washer 1/2"	4	All
15	900 08 147	Alignment Bushing	4*	All
15a	900 08 185	Alignment Bushing (Non-Weld Application)	2	All
15b	900 08 186	Alignment Bushing (Non-Weld Application)	1	All
16	934 00 367	Square Nut 3/4 - 10 Gr2	2	All
17	934 00 149	Hex Nut 3/4 - 16	2	All
18	936 00 077	Lock Washer 3/4"	4	All
19	934 00 136	Hex Nut 1/2 - 13	4	All
20	905 08 004	Replacement Shock Bushing	8	All
21	900 18 515	Upper Shock Bracket	2	All
22	905 19 773	Lower Shock Bracket	2	All
23	900 33 019	Plate	2	All
24	930 03 609	Cap Screw 3/4-10 x 4" Gr5	2	All

SERVICE REPAIR KITS

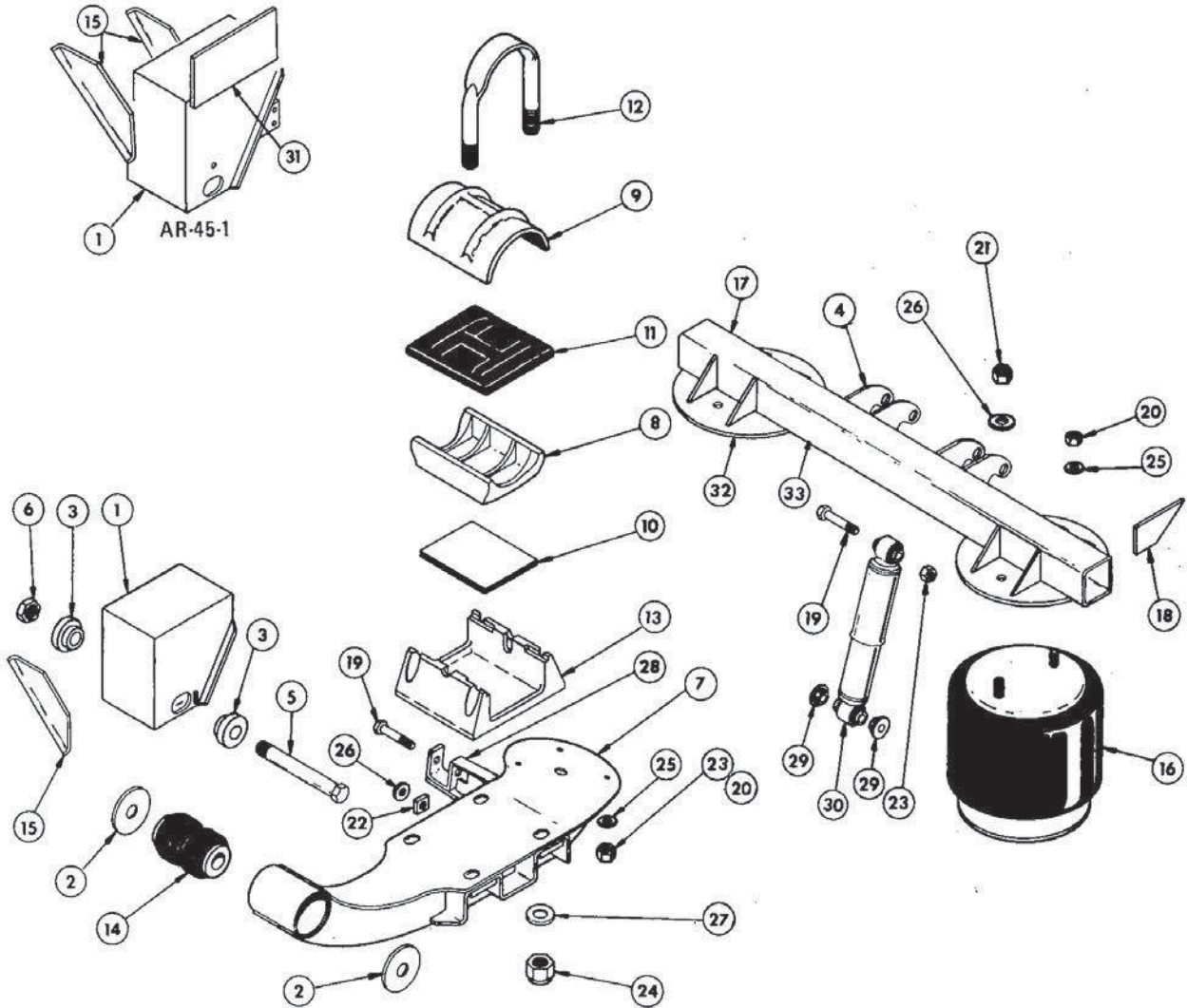
481 00 202	SRK-145 - Pivot Connection	1	All
481 00 206	SRK-149 - Axle Connection (5" Round, 20" wheel)	1	All
481 00 294	SRK-232 - Pivot Connection, Non-Weld (EZ-ALIGN)	1	All

* For Non-Weld application reduce Quantity Required by half.

AR-41, AR-45, AR-45-1 Exploded View



SAF-HOLLAND Group



NOTE: For 15" wheel axle connection parts, with cam on horizontal centerline, refer to page 3-119.

**DISCONTINUED MODEL
SERVICE PARTS ONLY**
Please contact Customer Service for part availability
888.396.6501



SAF-HOLLAND Group

AR-41, AR-45, AR-45-1 Parts List

ITEM	PART NO.	DESCRIPTION	QTY REQD	MODEL
1	905 20 189	Frame Bracket Adjustable	2	AR-41
	905 20 153	Frame Bracket LH Adjustable	1	AR-45
	905 19 714	Frame Bracket LH Adjustable	1	AR-45-1
	905 20 152	Frame Bracket RH Adjustable	1	AR-45
	905 20 151	Frame Bracket RH Adjustable	1	AR-45-1
2	900 36 177	Spacer Washer	4	All
3	900 08 147	Alignment Bushing	4	All
4	900 32 561	Upper Shock Mounting Bracket	4	All
5	932 01 055	Cap Screw 1 -1/8 - 7 x 9 1/4"	2	All
6	934 00 506	Lock Nut 1-1/8" -7 GrC	2	All
7	905 16 054	Equalizing Beam LH (Includes Item #13, 14, 28)	1	AR-41
	905 15 857	Equalizing Beam LH (Includes Item #13, 14, 28)	1	AR-45, AR-45-1
	905 16 055	Equalizing Beam RH (Includes Item #13, 14, 28)	1	AR-41
	905 15 858	Equalizing Beam RH (Includes Item #13, 14, 28)	1	AR-45, AR-45-1
8	900 01 082	Axle Adapter	2	All
9	900 10 032	Axle Cap	2	All
10	900 28 083	Steel/Rubber Pad	2	All
11	900 28 047	Rubber Wrapper	2	All
12	900 41 878	U-Bolt 1-8 x 9 Gr8 5 Rd	4	All
13	900 01 006	Beam Seat	2	All
14	900 08 139	Rubber Bushing	2	All
15	900 23 002	Angle Brace	2	AR-41, AR-45
	900 23 003	Angle Brace	4	AR-45-1
16	905 57 023	Air Spring Assembly (Aluminum Piston)	2	All
	905 57 129	Air Spring Assembly (Composite Piston)	2	All
17	905 44 615	Crossmember Assembly (Includes Item #4, 32, 33)	1	AR-41
	905 44 573	Crossmember Assembly (Includes Item #4, 32, 33)	1	AR-45, AR-45-1
18	900 31 443	Gusset	2	All
19	930 03 597	Cap Screw 3/4 - 10 x 3 1/2" Gr5	4	AR-41
	930 03 597	Cap Screw 3/4 - 10 x 3 1/2" Gr5 (Upper Shock Bracket)	2	AR-45, AR-45-1
	930 03 609	Cap Screw 3/4 - 10 x 4" (Lower Shock Bracket)	2	AR-45, AR-45-1
20	934 00 136	Hex Nut 1/2 - 13 GrB (905 57 023 Air Spring)	2	All
	934 00 136	Hex Nut 1/2 - 13 GrB (905 57 129 Air Spring)	4	All
21	934 00 149	Hex Nut 3/4 - 16 GrB	2	All
22	934 00 367	Square Nut 3/4 - 10 GrA	2	All
23	934 00 492	Lock Nut 3/4 - 10 (905 57 023 Air Spring)	4	All
	934 00 492	Lock Nut 3/4 - 10 (905 57 129 Air Spring)	2	All
24	934 00 502	Lock Nut 1-8 GrC	8	All
25	936 00 072	Lock Washer 1/2" (905 57 023 Air Spring)	2	All
	936 00 072	Lock Washer 1/2" (905 57 129 Air Spring)	4	All
26	936 00 077	Lock Washer 3/4"	4	All
27	939 00 027	Washer 1 ID	8	All
28	905 19 009	Lower Shock Bracket	2	AR-41
	905 19 425	Lower Shock Bracket	2	AR-45, AR-45-1
29	905 08 004	Replacement Shock Bushing	8	All
30	900 44 162	Shock Absorber	2	All
31	900 31 437	Plate	2	AR-45-1
32	900 31 025	Air Spring Mounting Plate	2	All
33	900 38 249	3.0 OD x .25 WA x 46.0 Tube	1	AR-41
	900 38 056	3.0 OD x .25 WA x 42.0 Tube	1	AR-45, AR-45-1

SERVICE REPAIR KITS

	481 00 108	SRK-64 - Axle Connection (5" Round, New Style)	1	All
	481 00 112	SRK-68 - Axle Connection (5" Square, 20" wheel)	1	All
*	481 00 202	SRK-145 - Pivot Connection	1	All

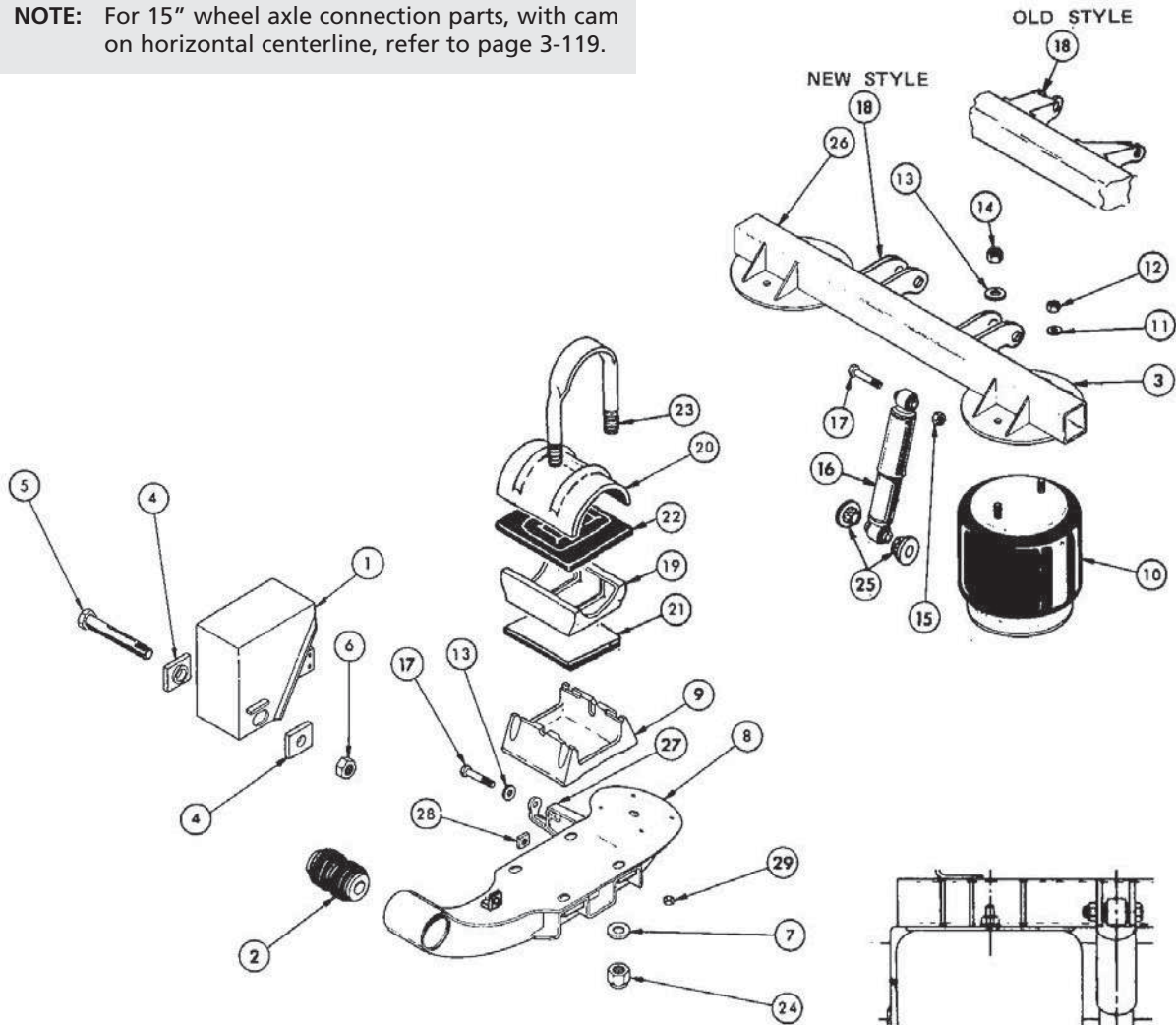
* When Alignment Blocks are required, specify SRK-48

AR-50-US, AR-50-US-F, AR-50-US-F-1, AR-50-US-F-2 Exploded View



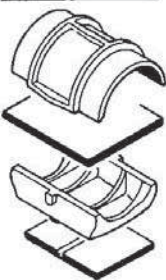
SAF-HOLLAND Group

NOTE: For 15" wheel axle connection parts, with cam on horizontal centerline, refer to page 3-119.



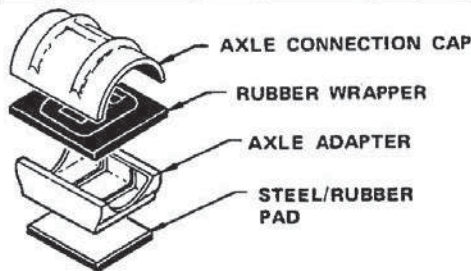
OLD STYLE

5" Rd. & 5" Sq.

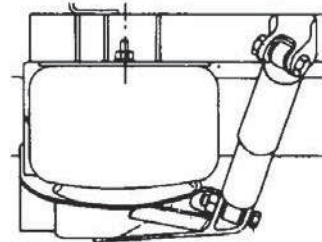


NEW STYLE

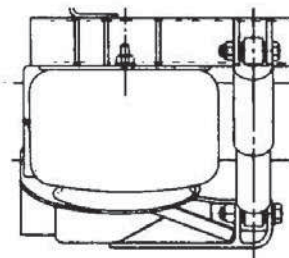
5" Rd. (all parts) & 5" Sq. (axle adapter & pad)



NEW STYLE



OLD STYLE



**DISCONTINUED MODEL
SERVICE PARTS ONLY**
Please contact Customer Service for part availability
888.396.6501



SAF-HOLLAND Group

AR-50-US, AR-50-US-F, AR-50-US-F-1, AR-50-US-F-2 Parts List

ITEM	PART NO.	DESCRIPTION	QTY REQD	MODEL
1	905 18 081	Frame Bracket Assembly Adjustable	2	AR-50-US, F-1
	905 18 078	Frame Bracket Assembly Adjustable	2	AR-50-US-F, F-2
2	900 08 131	Rubber Bushing	2	All
3	900 31 027	Air Spring Mounting Plate	2	All
4	900 01 045	Alignment Block	2	All
5	932 01 045	Cap Screw 1 1/8-7 x 8 1/2" Gr5	2	All
6	934 00 506	Lock Nut 1-1/8" -7 GrC	2	All
7	939 00 027	Washer 1 ID	8	All
8	905 16 008	Equalizing Beam LH (New Style)	1	AR-50-US
	905 16 000	Equalizing Beam LH (New Style)	1	AR-50-US-F, F-1, F-2
	905 15 141	Equalizing Beam LH (Old Style)	1	AR-50-US
	905 15 132	Equalizing Beam LH (Old Style)	1	AR-50-US-F, F-1, F-2
	905 16 009	Equalizing Beam RH (New Style)	1	AR-50-US
	905 16 001	Equalizing Beam RH (New Style)	1	AR-50-US-F, F-1, F-2
	905 15 142	Equalizing Beam RH (Old Style)	1	AR-50-US
	905 15 131	Equalizing Beam RH (Old Style)	1	AR-50-US-F, F-1, F-2
9	900 01 006	Beam Seat	2	All
10	905 57 023	Air Spring Assembly	2	All
11	936 00 072	Lock Washer 1/2"	2	All
12	934 00 136	Hex Nut 1/2 - 13 GrB	2	All
13	936 00 077	Lock Washer 3/4	4	All
14	934 00 149	Hex Nut 3/4 - 16 GrB	2	All
15	934 00 492	Lock Nut 3/4 - 10 GrB	2	All
16	900 44 162	Shock Absorber	2	All
17	930 03 599	Cap Screw 3/4 - 10 x 3 1/2" GrB	4	All
18	900 32 561	Upper Shock Mounting Bracket (New Style)	4	AR-50-US, F, F-1
	900 18 061	Upper Shock Mounting Bracket (Old Style)	1	AR-50-US, F, F-1
	900 18 062	Upper Shock Mounting Bracket (Old Style)	1	AR-50-US, F, F-1
	905 19 040	Upper Shock Mounting Bracket (New Style)	2	AR-50-US-F-2
	900 18 114	Upper Shock Mounting Bracket (Old Style)	2	AR-50-US-F-2
19	900 01 082	Axle Adapter (New Style)	2	All
20	900 10 032	Axle Cap (New Style)	2	All
21	900 28 083	Steel/Rubber Pad (New Style)	2	All
	900 28 016	Rubber Pad (Old Style)	2	All
	900 28 047	Rubber Wrapper (New Style)	2	All
22	900 28 007	Rubber Wrapper (Old Style)	2	All
	900 41 878	U-Bolt 1-8 x 9 Gr8	4	All
24	934 00 502	Lock Nut 1-8 GrC	8	All
25	905 08 004	Replacement Shock Bushing	8	All
26	905 44 573	Crossmember Assembly (New Style)	1	All
	905 18 065	Crossmember Assembly (Old Style)	1	AR-50-US
27	905 19 009	Lower Shock Bracket (New Style)	2	All
	900 18 067	Lower Shock Bracket (Old Style)	2	All
28	934 00 367	Square Nut 3/4 - 10 GrA	2	All
29	934 00 553	Lock Nut 3/4-10 GrB	2	All

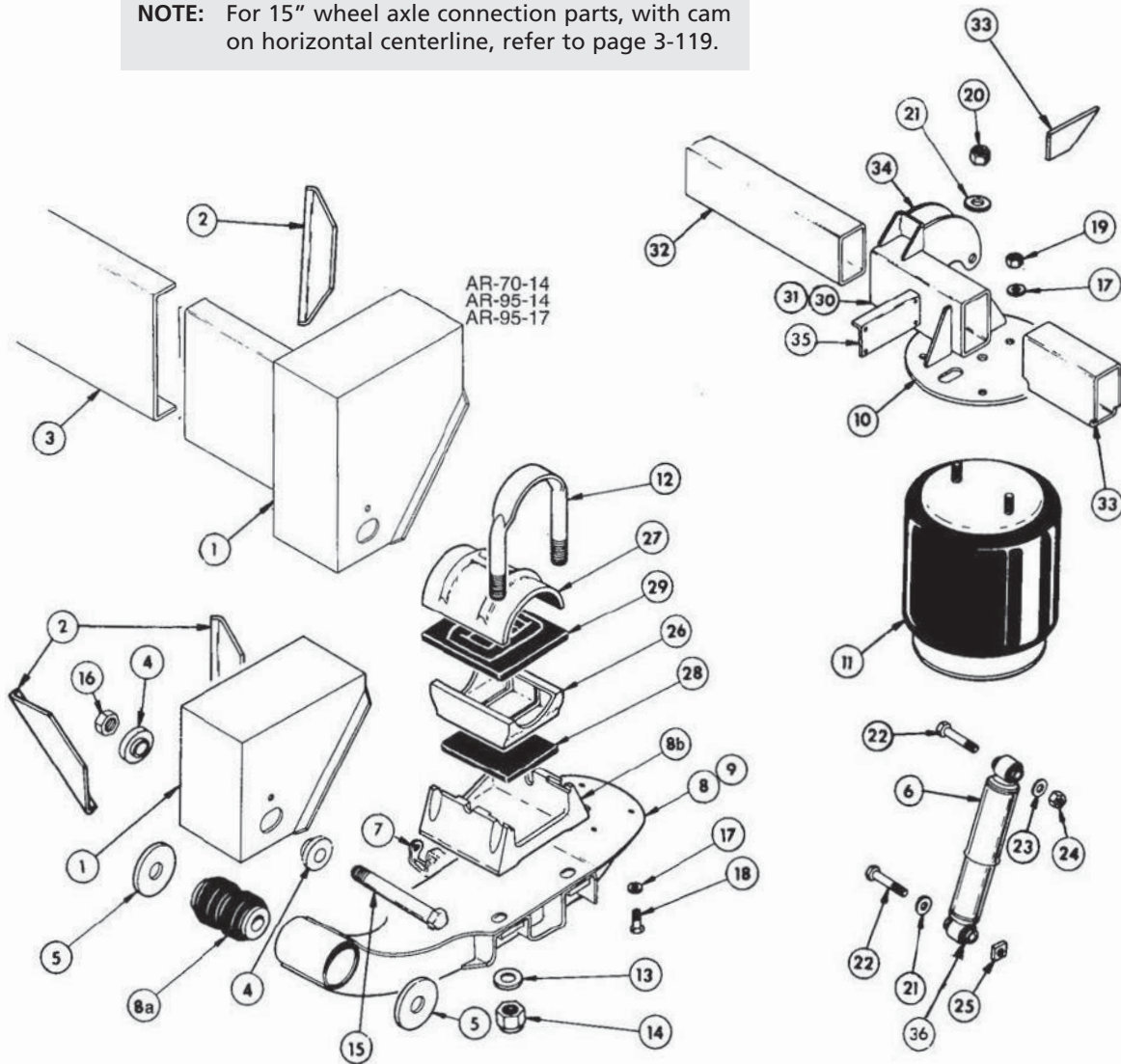
SERVICE REPAIR KITS

481 00 193	SRK-48A - Pivot Connection	1	All
481 00 018	SRK-49 - Axle Connection (5" Round, Old Style)	1	All
481 00 108	SRK-64 - Axle Connection (5" Round, New Style)	1	All
481 00 112	SRK-68 - Axle Connection (5" Square, 20" wheel)	1	All

AR-70-9, -14, AR-95-9, -12, -14, -17 Exploded View

SAF-HOLLAND Group

NOTE: For 15" wheel axle connection parts, with cam on horizontal centerline, refer to page 3-119.



DISCONTINUED MODEL SERVICE PARTS ONLY

Please contact Customer Service for part availability
888.396.6501

ITEM	PART NO.	DESCRIPTION	QTY REQD	MODEL	RIDE HEIGHT
1	905 18 714	Frame Bracket Assembly Adjustable	2	AR-95	9,12
	905 18 716	Frame Bracket Assembly Adjustable	2	AR-70	9
	905 18 719	Frame Bracket Assembly RH Fixed (Includes Item #4)	1	AR-95	14,17
	905 18 720	Frame Bracket Assembly LH Adjustable	1	AR-95	14,17
	905 18 721	Frame Bracket Assembly RH Fixed (Includes Item #4)	1	AR-70	14
	905 18 722	Frame Bracket Assembly LH Adjustable	1	AR-70	14
2	900 23 002	Angle Brace	4	AR-70	9
	900 23 866	Angle Brace	4	AR-95	9,12
	900 23 866	Angle Brace	2	AR-70	14
	900 23 918	Angle Brace LH	1	AR-95	14,17
	900 23 919	Angle Brace RH	1	AR-95	14,17
3	410 23 327	Channel	1	AR-70	All
4	900 08 092	Adjusting Bushing	4	AR-70,95	All



SAF-HOLLAND Group

AR-70-9, -14, AR-95-9, -12, -14, -17 Parts List

ITEM	PART NO.	DESCRIPTION	QTY REQD	MODEL	RIDE HEIGHT
5	900 36 177	Spacer Washer	4	AR-70,95	All
6	900 44 626	Shock Absorber	2	AR-70	All
	900 44 625	Shock Absorber	2	AR-95	All
7	900 18 179	Lower Shock Bracket	2	AR-70,95	All
8	905 15 624	Equalizing Beam Assembly LH (Includes Item #8a, 8b, 7)	1	AR-70	All
	905 15 667	Equalizing Beam Assembly LH (Includes Item #8a, 8b, 7)	1	AR-95	9,14
	905 15 624	Equalizing Beam Assembly LH (Includes Item #8a, 8b, 7)	1	AR-95	12,17
8a	900 08 139	Rubber Bushing	2	AR-70,95	All
8b	900 01 006	Beam Seat	2	AR-70	All
	900 01 006	Beam Seat	2	AR-95	12,17
	900 01 008	Beam Seat	2	AR-95	9,14
9	905 15 625	Equalizing Beam Assembly RH (Includes Item #8a , 8b, 7)	1	AR-70	All
	905 15 668	Equalizing Beam Assembly RH (Includes Item #8a , 8b, 7)	1	AR-95	9,14
	905 15 625	Equalizing Beam Assembly RH (Includes Item #8a , 8b, 7)	1	AR-95	12,17
10	900 33 785	Air Spring Mounting Plate	2	AR-70,95	All
11	905 57 078	Air Spring Assembly	2	AR-70	All
	905 57 077	Air Spring Assembly	2	AR-95	All
12	900 41 878	U-Bolt 1-8 x 9" 5" Rd	4	AR-70	All
	900 41 878	U-Bolt 1-8 x 9" 5" Rd	4	AR-95	12,17
	900 42 792	U-Bolt 1-8 x 12 1/2" 5" Rd	4	AR-95	9,14
	900 42 795	U-Bolt 1-8 x 12 1/2" 5" Sq	4	AR-95	9,14
	900 41 997	U-Bolt 1-8 x 9 1/2" 5" Sq	4	AR-95	12,17
13	939 00 027	Flat Washer 1"	8	AR-70,95	All
14	934 00 502	Lock Nut 1"-8	8	AR-70,95	All
15	932 01 055	Bolt 1 1/8-7 x 9 1/4"	2	AR-70,95	All
16	934 00 506	Lock Nut 1 1/8-7	2	AR-70,95	All
17	936 00 072	Lock Washer 1/2"	8	AR-70,95	All
18	930 02 893	Bolt 1/2"-13 x 1"	6	AR-70,95	All
19	934 00 136	Hex Nut 1/2"-13	2	AR-70,95	All
20	934 00 149	Hex Nut 3/4"-16	2	AR-70,95	All
21	936 00 077	Lock Washer 3/4"	4	AR-70,95	All
22	930 03 603	Cap Screw 3/4"-10 x 3 3/4"	4	AR-70,95	All
23	936 00 156	Flat Washer 3/4"	2	AR-70,95	All
24	934 00 492	Lock Nut 3/4"-10	2	AR-70,95	All
25	934 00 367	Square Nut 3/4"-10	2	AR-70,95	All
26	900 01 082	Axle Adapter 5" Rd	2	AR-70,95	All
	900 01 083	Axle Adapter 5" Sq	2	AR-70,95	All
27	900 10 032	Axle Cap 5" Rd	2	AR-70,95	All
	900 10 022	Axle Cap 5" Sq	2	AR-70,95	All
28	900 28 083	Rubber Pad	2	AR-70,95	All
29	900 28 047	Rubber Wrapper 5" Rd	2	AR-70,95	All
	900 28 073	Rubber Wrapper 5" Sq	2	AR-70,95	All
30	905 18 723	Crossmember Assembly LH (Includes Item #10, 34, 35)	1	AR-70	9
	905 18 728	Cross member Assembly LH (Includes Item #10, 34, 35)	1	AR-70	14
	905 18 727	Crossmember Assembly LH (Includes Item #10, 34, 35)	1	AR-95	9,12
	905 18 726	Crossmember Assembly LH (Includes Item #10, 34, 35)	1	AR-95	14,17
31	905 18 751	Crossmember Assembly RH (Includes Item #10, 34, 35)	1	AR-70	9
	905 18 752	Crossmember Assembly RH (Includes Item #10, 34, 35)	1	AR-70	14
	905 18 754	Crossmember Assembly RH (Includes Item #10, 34, 35)	1	AR-95	9,12
	905 18 753	Crossmember Assembly RH (Includes Item #10, 34, 35)	1	AR-95	14,17
32	905 38 008	Channel Assembly	1	AR-70,95	All
33√	905 38 007	Channel Assembly	2	AR-70	9
	905 38 007	Channel Assembly	2	AR-95	9,12
	900 32 137	Gusset	2	AR-70	14
	900 32 137	Gusset	2	AR-95	14,17
34	900 18 322	Upper Shock Bracket	2	AR-70,95	All
35	900 23 865	Bracket	2	AR-70,95	All
36	905 08 004	Replacement Shock Bushing	8	AR-70,95	All

SERVICE REPAIR KITS

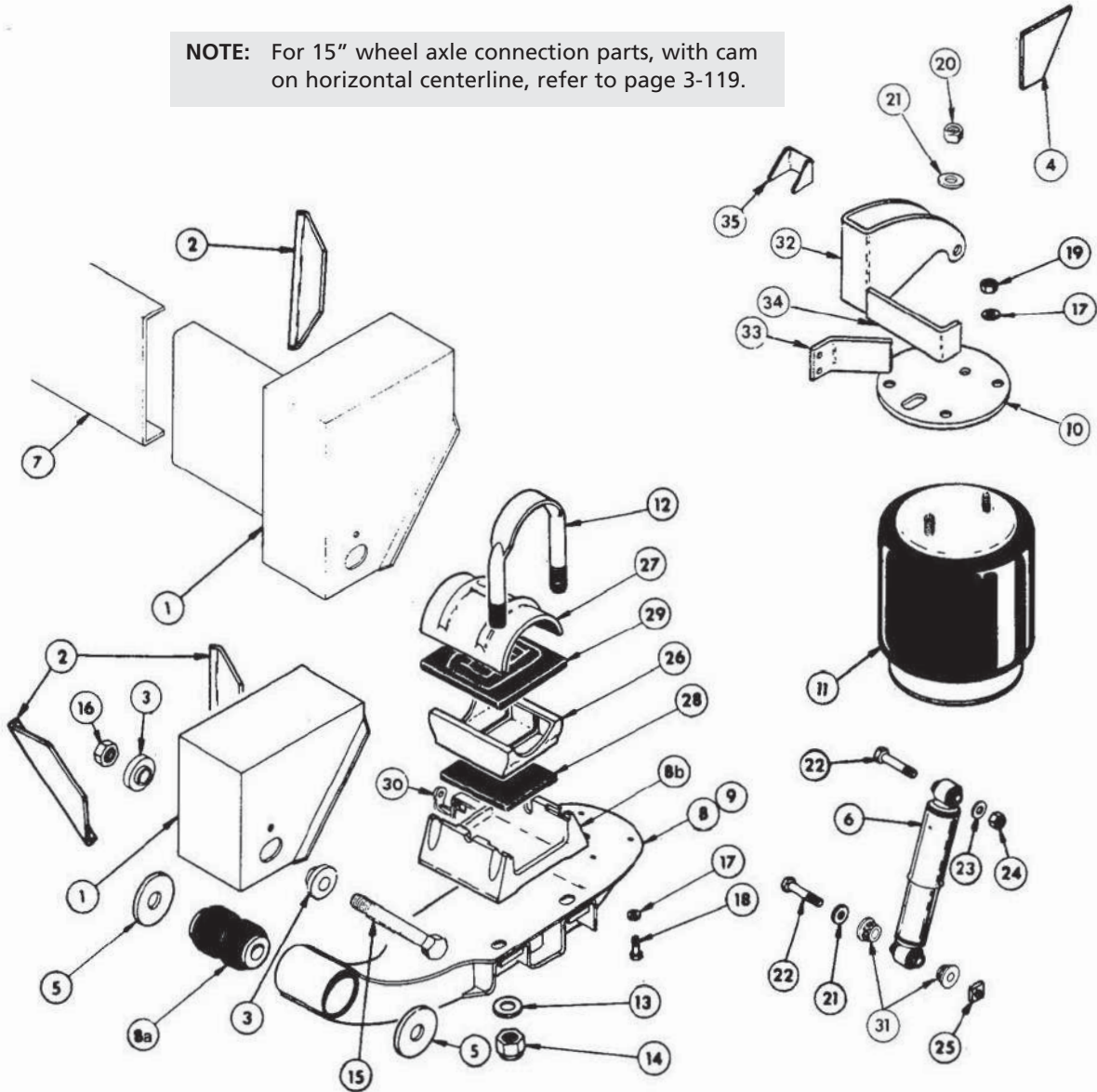
481 00 108	SRK-64 - Axle Connection (5" Round)	1	AR-70	9,14
		1	AR-95	12,17
481 00 112	SRK-68 - Axle Connection (5" Square, 20" Wheels)	1	AR-70	9,14
		1	AR-95	12,17
481 00 181	SRK-128 - Axle Connection (5" Round)	1	AR-95	9,14
481 00 202	SRK-145 - Pivot Connection	1	AR-70,95	All

AR-70A-9, -14, AR-95A-9, -12, -14, -17 Exploded View



SAF-HOLLAND Group

NOTE: For 15" wheel axle connection parts, with cam on horizontal centerline, refer to page 3-119.



**DISCONTINUED MODEL
SERVICE PARTS ONLY**
Please contact Customer Service for part availability
888.396.6501



SAF-HOLLAND Group

AR-70A-9, -14, AR-95A-9, -12, -14, -17 Parts List

ITEM	PART NO.	DESCRIPTION	QTY REQD	MODEL	RIDE HEIGHT
1	905 19 692	Frame Bracket Assembly LH Adjustable	1	AR-70A	9
	905 19 694	Frame Bracket Assembly RH Fixed	1	AR-70A	9
	905 19 696	Frame Bracket Assembly Adjustable	2	AR-95A	9,12
	905 19 700	Frame Bracket Assembly LH Adjustable	1	AR-70A	14
	905 19 703	Frame Bracket Assembly RH Fixed	1	AR-70A	14
	905 19 704	Frame Bracket Assembly LH Adjustable	1	AR-95A	14,17
	905 19 705	Frame Bracket Assembly RH Fixed	1	AR-95A	14,17
2	900 23 002	Angle Brace	4	AR-70A	9
	900 23 866	Angle Brace	4	AR-95A	9,12
	900 23 866	Angle Brace	2	AR-70A	14
	900 23 918	Angle Brace LH	1	AR-95A	14,17
	900 23 919	Angle Brace RH	1	AR-95A	14,17
3	900 08 147	Alignment Bushing	4	AR-70A, 95A	All
4	900 32 137	Gusset	2	AR-70A	14
	900 32 137	Gusset	2	AR-95A	14,17
5	900 36 177	Spacer Washer	4	AR-70A, 95A	All
6	900 44 626	Shock Absorber	2	AR-70A	All
	900 44 625	Shock Absorber	2	AR-95A	All
7	410 23 327	Channel	1	AR-70A	14
	410 23 327	Channel	1	AR-95A	14,17
8	905 16 074	Equalizing Beam Assembly LH (Includes Item #8a, 8b, 30)	1	AR-70A	All
	905 16 074	Equalizing Beam Assembly LH (Includes Item #8a, 8b, 30)	1	AR-95A	12,17
	905 16 078	Equalizing Beam Assembly LH (Includes Item #8a, 8b, 30)	1	AR-95A	9,14
8a	900 08 139	Rubber Bushing	2	AR-70A, 95A	All
8b	900 01 006	Beam Seat	2	AR-70A	All
	900 01 006	Beam Seat	2	AR-95A	12,17
	900 01 008	Beam Seat	2	AR-95A	9,14
9	905 16 075	Equalizing Beam Assembly RH (Includes Item #8a, 8b, 30)	1	AR-70A	All
	905 16 075	Equalizing Beam Assembly RH (Includes Item #8a, 8b, 30)	1	AR-95A	12,17
	905 16 079	Equalizing Beam Assembly RH (Includes Item #8a, 8b, 30)	1	AR-95A	9,14
10	900 33 785	Air Spring Mounting Plate	2	AR-70A, 95A	All
11	905 57 078	Air Spring Assembly	2	AR-70A	All
	905 57 077	Air Spring Assembly	2	AR-95A	All
12	900 41 878	U-Bolt 1-8 x 9" 5" Rd	4	AR-70A	All
	900 41 878	U-Bolt 1-8 x 9" 5" Rd	4	AR-95A	12,17
	900 42 792	U-Bolt 1-8 x 12 1/2" 5" Rd	4	AR-95A	9,14
	900 42 836	U-Bolt 1-8 x 9 1/2" 5" Sq	4	AR-95A	12,17
	900 42 846	U-Bolt 1-8 x 12 1/2" 5" Sq	4	AR-95A	9,14
13	939 00 027	Flat Washer 1"	8	AR-70A, 95A	All
14	934 00 502	Lock Nut 1"-8	8	AR-70A, 95A	All
15	932 01 055	Bolt 1 1/8-7 x 9 1/4"	2	AR-70A, 95A	All
16	934 00 506	Lock Nut 1 1/8-7	2	AR-70A, 95A	All
17	936 00 072	Lock Washer 1/2"	8	AR-70A, 95A	All
18	930 02 893	Bolt 1/2"-13 x 1"	6	AR-70A, 95A	All
19	934 00 136	Hex Nut 1/2"-13	2	AR-70A, 95A	All
20	934 00 149	Hex Nut 3/4"-16	2	AR-70A, 95A	All
21	936 00 077	Lock Washer 3/4"	4	AR-70A, 95A	All
22	930 03 597	Cap Screw 3/4"-10 x 3 1/2"	4	AR-70A, 95A	All
23	936 00 156	Flat Washer 3/4"	2	AR-70A, 95A	All
24	934 00 492	Lock Nut 3/4"-10	2	AR-70A, 95A	All
25	934 00 367	Square Nut 3/4"-10	2	AR-70A, 95A	All
26	900 01 082	Axle Adapter 5" Rd	2	AR-70A, 95A	All
	900 01 083	Axle Adapter 5" Sq	2	AR-70A, 95A	All
27	900 10 032	Axle Cap 5" Rd	2	AR-70A, 95A	All
	900 10 047	Axle Cap 5" Sq	2	AR-70A, 95A	All
28	900 28 083	Rubber Pad	2	AR-70A, 95A	All
29	900 28 047	Rubber Wrapper 5" Rd	2	AR-70A, 95A	All
	900 28 073	Rubber Wrapper 5" Sq	2	AR-70A, 95A	All
30	905 19 749	Lower Shock Bracket	2	AR-70A, 95A	All
31	905 08 004	Replacement Shock Bushing	8	AR-70A, 95A	All
32	900 18 427	Upper Shock Bracket	2	AR-70A, 95A	All
33	900 18 527	Bracket	2	AR-70A, 95A	All
34	900 24 665	Support	2	AR-70A	All
	900 24 664	Support	2	AR-95A	All
35	900 23 876	Reinforcement Bracket	2	AR-70A, 95A	All

SERVICE REPAIR KITS

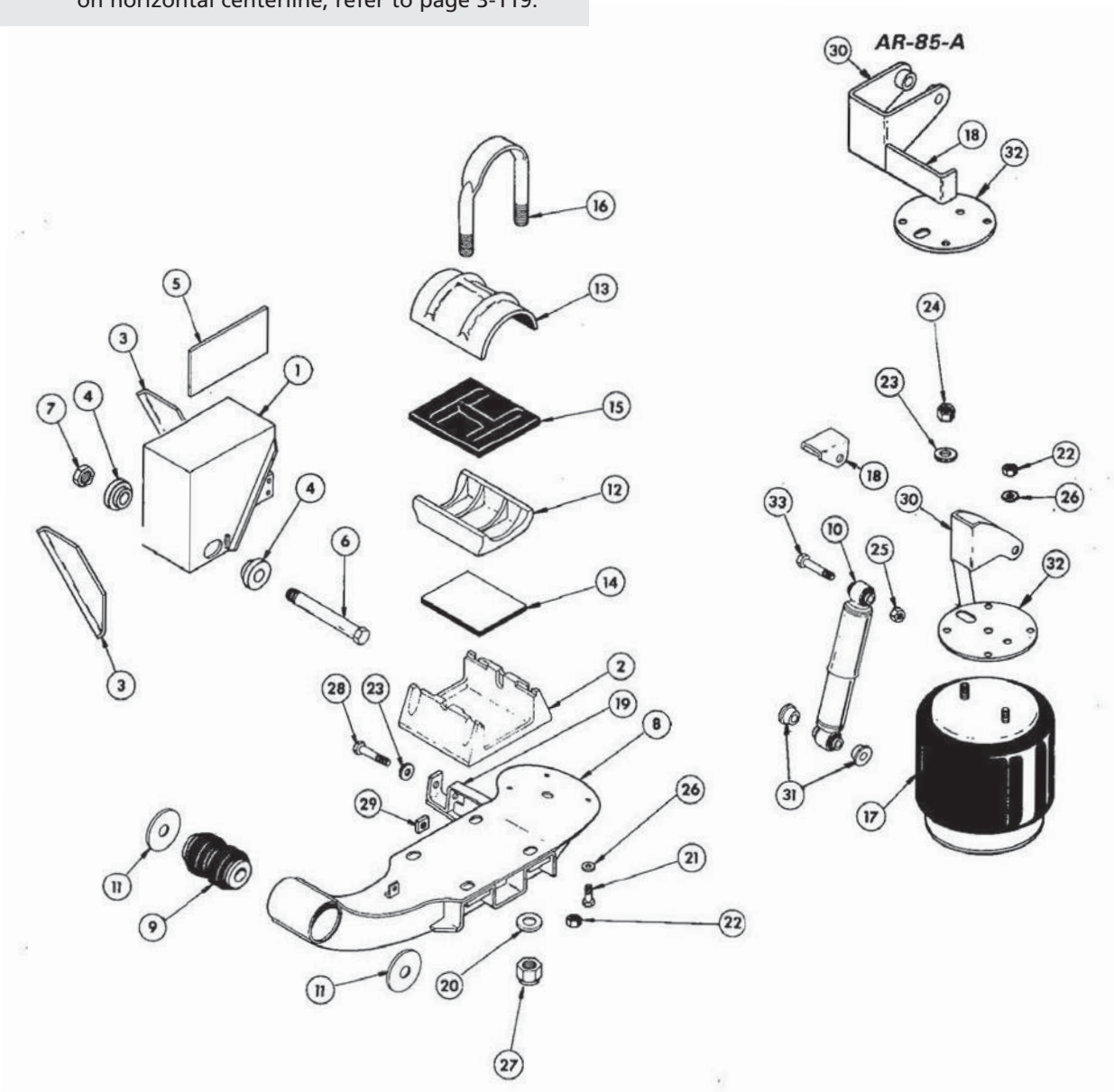
481 00 108	SRK-64 - Axle Connection (5" Round)	1	AR-70A	9,14
		1	AR-95A	12,17
481 00 181	SRK-128 - Axle Connection (5" Round)	1	AR-95A	9,14
481 00 202	SRK-145 - Pivot Connection	1	AR-70A, 95A	All

AR-75-6, -9, AR-85-A Exploded View



SAF-HOLLAND Group

NOTE: For 15" wheel axle connection parts, with cam on horizontal centerline, refer to page 3-119.



**DISCONTINUED MODEL
SERVICE PARTS ONLY**
Please contact Customer Service for part availability
888.396.6501



ITEM	PART NO.	DESCRIPTION	QTY REQD	MODEL	RIDE HEIGHT
1	905 19 714	Adjustable Frame Bracket LH	1	AR-75, AR-85-A	All
	905 20 151	Adjustable Frame Bracket RH	1	AR-75, AR-85-A	All
2	900 01 008	Axle Beam Seat	2	AR-75	6
	900 01 006	Axle Beam Seat	2	AR-75, AR-85-A	9
3	900 23 002	Angle Brace	4	AR-75, AR-85-A	All
4	900 08 147	Alignment Bushing	4	AR-75, AR-85-A	All
5	900 31 437	Plate	2	AR-75, AR-85-A	All
6	932 01 055	Cap Screw 1 1/8-7 x 9 1/4" Gr5	2	AR-75, AR-85-A	All
7	934 00 506	Lock Nut 1 1/8-7" GrB	2	AR-75, AR-85-A	All
8	905 15 859	Equalizing Beam Assembly LH*(Includes Item #2, 9, 19)	1	AR-75	6
	905 15 857	Equalizing Beam Assembly LH*(Includes Item #2, 9, 19)	1	AR-75	9
	905 16 195	Equalizing Beam Assembly LH*(Includes Item #2, 9, 19)	1	AR-85-A	
	905 15 860	Equalizing Beam Assembly RH*(Includes Item #2, 9, 19)	1	AR-75	6
	905 15 858	Equalizing Beam Assembly RH*(Includes Item #2, 9, 19)	1	AR-75	9
	905 16 196	Equalizing Beam Assembly RH*(Includes Item #2, 9, 19)	1	AR-85-A	
9	900 08 139	Rubber Bushing	2	AR-75, AR-85-A	All
10	900 44 626	Shock Absorber	2	AR-75	6,9
	900 44 625	Shock Absorber	2	AR-85-A	
11	900 36 177	Spacer Washer	4	AR-75, AR-85-A	All
12	900 01 082	Axle Adapter	2	AR-75, AR-85-A	All
13	900 10 032	Axle Cap	2	AR-75, AR-85-A	All
14	900 28 083	Steel/Rubber Pad	2	AR-75, AR-85-A	All
15	900 28 047	Rubber Wrapper	2	AR-75, AR-85-A	All
16	900 42 792	U-Bolt 1-8 x 12 1/2" Gr8 5 Rd	4	AR-75	6
	900 41 878	U-Bolt 1-8 x 9" Gr8 5 Rd	4	AR-75, AR-85-A	9
17	905 57 113	Air Spring Assembly	2	AR-75	6,9
	905 57 078	Air Spring Assembly	2	AR-85-A	
18	905 19 040	Upper Shock Mounting Bracket (Optional on AR-75-9)	2	AR-75	6,9
	900 24 738	Bracket	2	AR-85-A	
19	905 19 425	Lower Shock Mounting Bracket	2	AR-75	6,9
	905 19 809	Lower Shock Mounting Bracket	2	AR-85-A	
20	939 00 027	Washer 1 ID	8	AR-75, AR-85-A	All
21	930 02 893	Cap Screw 1/2 - 13 x 1" Gr2 (905 57 078 Air Spring)	6	AR-85-A	
22	934 00 136	Hex Nut 1/2 - 13 GrB (905 57 078 Air Spring)	2	AR-85-A	
	934 00 136	Hex Nut 1/2 - 13 GrB (905 57 113 Air Spring)	4	AR-75	6,9
23	936 00 077	Lock Washer 3/4	4	AR-75, AR-85-A	All
24	934 00 149	Hex Nut 3/4 - 16 GrB	2	AR-75, AR-85-A	All
25	934 00 492	Lock Nut 3/4 - 10 GrB	2	AR-75, AR-85-A	All
26	936 00 072	Lock Washer 1/2	4	AR-75	6,9
	936 00 072	Lock Washer 1/2	8	AR-85-A	
27	934 00 502	Lock Nut 1-8 GrC	8	AR-75, AR-85-A	All
28	930 03 609	Cap Screw 3/4 - 10 x 4"	2	AR-75	6,9
	930 03 597	Cap Screw 3/4 - 10 x 3 1/2" Gr5	2	AR-85-A	
29	934 00 367	Square Nut 3/4 - 10 GrA	2	AR-75, AR-85-A	All
30	900 18 348	Upper Shock Mounting Bracket	2	AR-75	9
	905 19 810	Upper Shock Mounting Bracket	2	AR-85-A	
31	905 08 004	Replacement Shock Bushing	8	AR-75, AR-85-A	All
32	900 33 785	Air Spring Mounting Plate	2	AR-75, AR-85-A	9
33	930 03 597	Cap Screw 3/4 - 10 x 3 1/2" Gr5	2	AR-75	6,9
	930 03 633	Cap Screw 3/4 - 10 x 5" Gr5	2	AR-85-A	

SERVICE REPAIR KITS

	481 00 108	SRK-64 - Axle Connection (5" Round)	1	AR-75, AR-85-A	9
	481 00 112	SRK-68 - Axle Connection (5" Square, 20" Wheel)	1	AR-75	9
	481 00 181	SRK-128 - Axle Connection (5" Round)	1	AR-75	6
*	481 00 202	SRK-145 - Pivot Connection	1	AR-75, AR-85-A	All

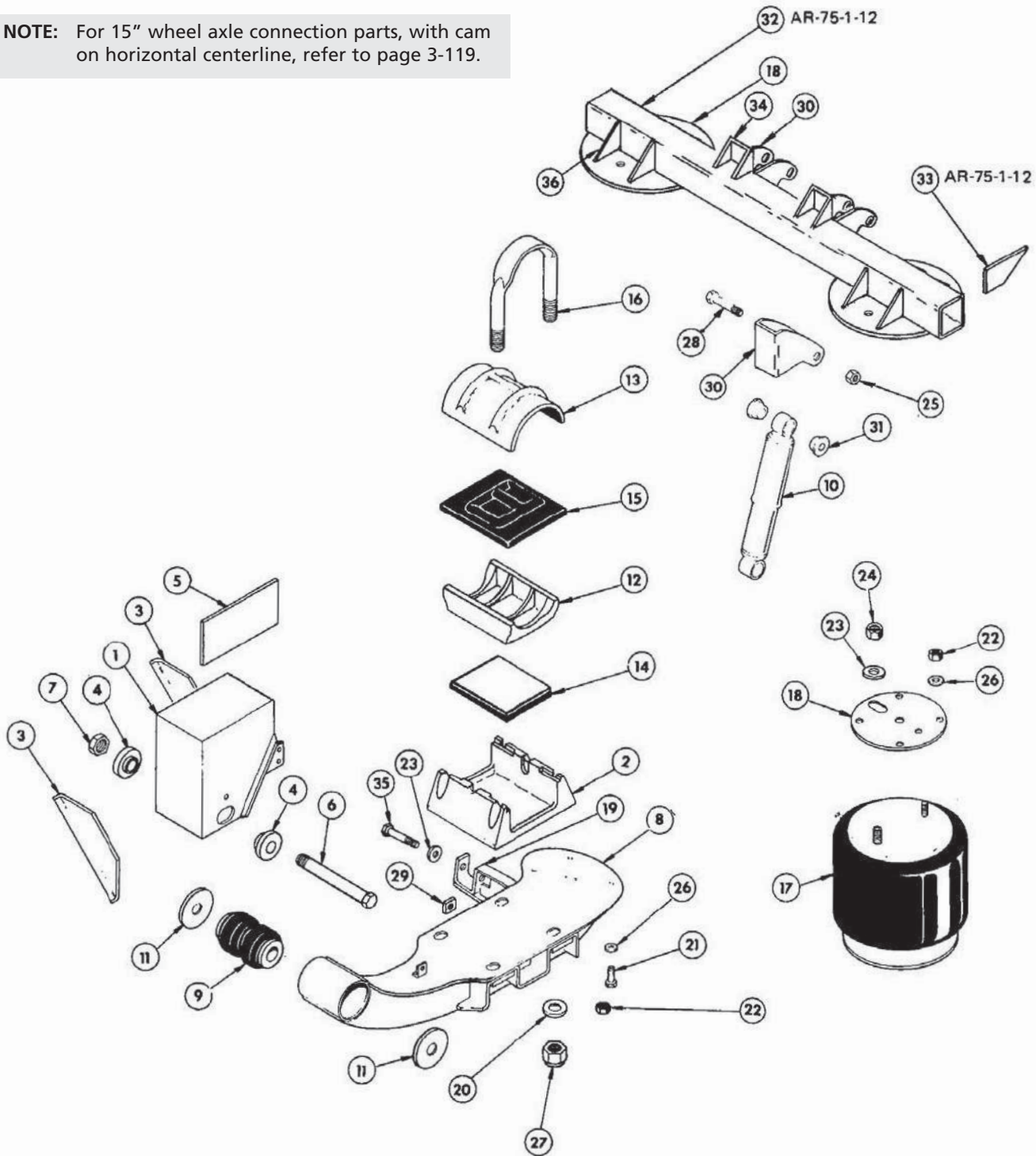
* When alignment blocks are required, specify SRK-48

AR-75-12, -1-12 Exploded View



SAF-HOLLAND Group

NOTE: For 15" wheel axle connection parts, with cam on horizontal centerline, refer to page 3-119.



**DISCONTINUED MODEL
SERVICE PARTS ONLY**
Please contact Customer Service for part availability
888.396.6501



ITEM	PART NO.	DESCRIPTION	QTY REQD	MODEL	RIDE HEIGHT
1	905 19 716	Adjustable Frame Bracket LH	1	AR-75, AR-75-1	12
	905 20 188	Adjustable Frame Bracket RH	1	AR-75, AR-75-1	12
2	900 01 006	Axle Beam Seat	2	AR-75, AR-75-1	12
3	900 23 001	Angle Brace	4	AR-75, AR-75-1	12
4	900 08 147	Alignment Bushing	4	AR-75, AR-75-1	12
5	900 31 437	Plate	2	AR-75, AR-75-1	12
6	932 01 055	Cap Screw 1 1/8-7 x 9 1/4" Gr5	2	AR-75, AR-75-1	12
7	934 00 506	Lock Nut 1 1/8-7" GrB	2	AR-75, AR-75-1	12
8	905 15 857	Equalizing Beam Assembly LH(Includes Item #2, 9, 19)	1	AR-75, AR-75-1	12
	905 15 858	Equalizing Beam Assembly RH(Includes Item #2, 9, 19)	1	AR-75, AR-75-1	12
9	900 08 139	Rubber Bushing	2	AR-75, AR-75-1	12
10	900 44 626	Shock Absorber	2	AR-75-1	12
	900 44 625	Shock Absorber	2	AR-75	12
11	900 36 177	Spacer Washer	4	AR-75, AR-75-1	12
12	900 01 082	Axle Adapter	2	AR-75, AR-75-1	12
13	900 10 032	Axle Cap	2	AR-75, AR-75-1	12
14	900 28 083	Steel/Rubber Pad	2	AR-75, AR-75-1	12
15	900 28 047	Rubber Wrapper	2	AR-75, AR-75-1	12
16	900 41 878	U-Bolt 1-8 x 9"Gr8 5 Rd	4	AR-75, AR-75-1	12
17	905 57 009	Air Spring Assembly (Aluminum Piston)	2	AR-75, AR-75-1	12
18	900 33 785	Air Spring Mounting Plate	2	AR-75, AR-75-1	12
19	905 19 425	Lower Shock Mounting Bracket	2	AR-75, AR-75-1	12
20	939 00 027	Washer 1 ID	8	AR-75, AR-75-1	12
21	930 03 039	Cap Screw 1/2 - 13 x 7" (905 57 009 Air Spring)	2	AR-75, AR-75-1	12
22	934 00 136	Hex Nut 1/2 - 13 GrB (905 57 009 Air Spring)	2	AR-75, AR-75-1	12
	934 00 136	Hex Nut 1/2 - 13 GrB (905 57 126 Air Spring)	4	AR-75, AR-75-1	12
23	936 00 077	Lock Washer 3/4	4	AR-75, AR-75-1	12
24	934 00 149	Hex Nut 3/4 - 16 GrB	2	AR-75, AR-75-1	12
25	934 00 492	Lock Nut 3/4 - 10 GrB	2	AR-75, AR-75-1	12
26	936 00 072	Lock Washer 1/2	4	AR-75, AR-75-1	12
27	934 00 502	Lock Nut 1-8 GrC	8	AR-75, AR-75-1	12
28	930 03 597	Cap Screw 3/4 - 10 x 3 1/2" Gr5	2	AR-75, AR-75-1	12
29	934 00 367	Square Nut 3/4 - 10 GrA	2	AR-75, AR-75-1	12
30	900 18 348	Upper Shock Mounting Bracket	2	AR-75	12
	900 18 301	Upper Shock Mounting Bracket	2	AR-75-1	12
31	905 08 004	Replacement Shock Bushing	8	AR-75, AR-75-1	12
32	905 38 041	Tubing Assembly	2	AR-75-1	12
33		Gusset	4	AR-75-1	12
34	900 23 876	Reinforcement Bracket	2	AR-75-1	12
35	930 03 609	Cap Screw 3/4 - 10 x 4"	2	AR-75, AR-75-1	12
36	900 33 062	Gusset	4	AR-75-1	12

SERVICE REPAIR KITS

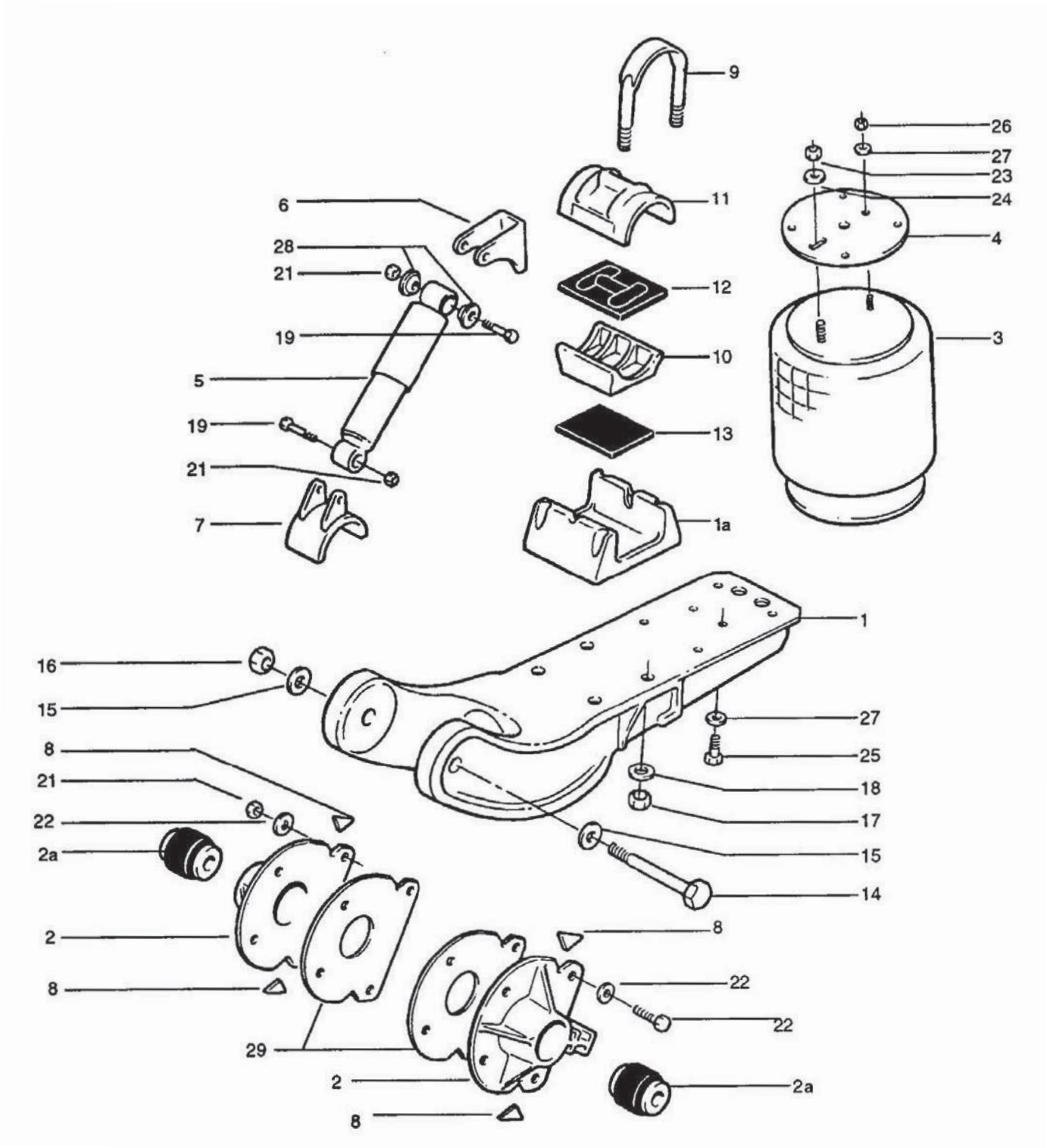
	481 00 108	SRK-64 - Axle Connection (5" Round)	1	AR-75, AR-75-1	12
	481 00 112	SRK-68 - Axle Connection (5" Square, 20" Wheel)	1	AR-75	12
*	481 00 202	SRK-145 - Pivot Connection	1	AR-75, AR-75-1	12

* When alignment blocks are required, specify SRK-48

AR-80-9FM Exploded View



SAF-HOLLAND Group



**DISCONTINUED MODEL
SERVICE PARTS ONLY**
Please contact Customer Service for part availability
888.396.6501



SAF-HOLLAND Group

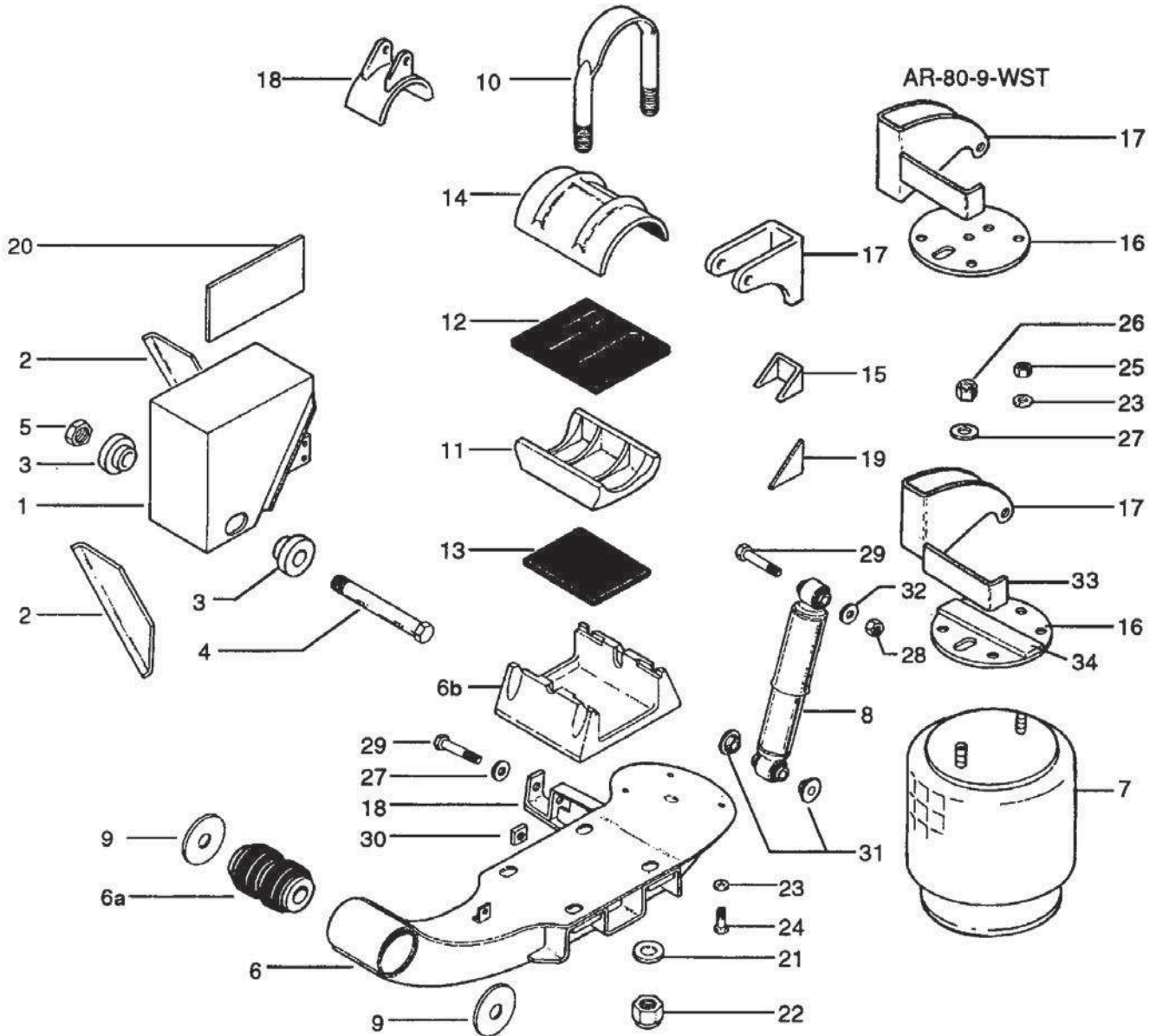
AR-80-9FM Parts List

ITEM	PART NO.	DESCRIPTION	QTY REQD
1	905 16 446	Equalizing Beam Assembly (Includes Item #1a)	1
1a	900 01 131	Beam Seat	2
2	905 45 076	Pivot Connection Assembly (Includes Item #2a)	4
2a	900 08 178	Rubber Bushing	4
3	905 57 111	Air Spring Assembly	2
4	900 33 785	Air Spring Mounting Plate	2
5	900 44 868	Shock Absorber	2
6	900 18 116	Shock Bracket (Upper)	2
7	905 20 276	Shock Bracket (Lower)	2
8	900 33 449	Plate	8
9	900 41 878	U-Bolt 5 Rd Axle	4
10	900 01 132	Axle Adapter	2
11	900 10 032	Axle Cap	2
12	900 28 047	Rubber Wrapper	2
13	900 28 083	Rubber Pad	2
14	932 01 053	Cap Screw 1 1/8 - 7	2
15	936 00 174	Washer HT 1 1/8"	4
16	934 00 506	Lock Nut 1 1/8 - 7	2
17	934 00 502	Lock Nut 1 - 8	8
18	939 00 027	Washer 1"	8
19	930 03 597	Cap Screw 3/4 - 10 x 3 1/2" Gr5	4
20	930 03 575	Cap Screw 3/4"	8
21	934 00 492	Lock Nut 3/4 - 10	12
22	936 00 156	Washer HT 3/4"	16
23	934 00 149	Hex Nut 3/4 - 16	2
24	936 00 077	Lock Washer 3/4"	2
25	930 02 893	Cap Screw 1/2"	6
26	934 00 136	Hex Nut 1/2 - 13	2
27	936 00 072	Lock Washer 1/2"	8
28	905 08 004	Replacement Shock Bushing	8
29	900 44 949	Shim (for 1/4" frame web only)	4
SERVICE REPAIR KITS			
	481 00 263	SRK-202 - Pivot Connection	1

AR-80-6.75, -9, AR-80-9-WST Exploded View



SAF-HOLLAND Group



**DISCONTINUED MODEL
SERVICE PARTS ONLY**
Please contact Customer Service for part availability
888.396.6501



SAF-HOLLAND Group

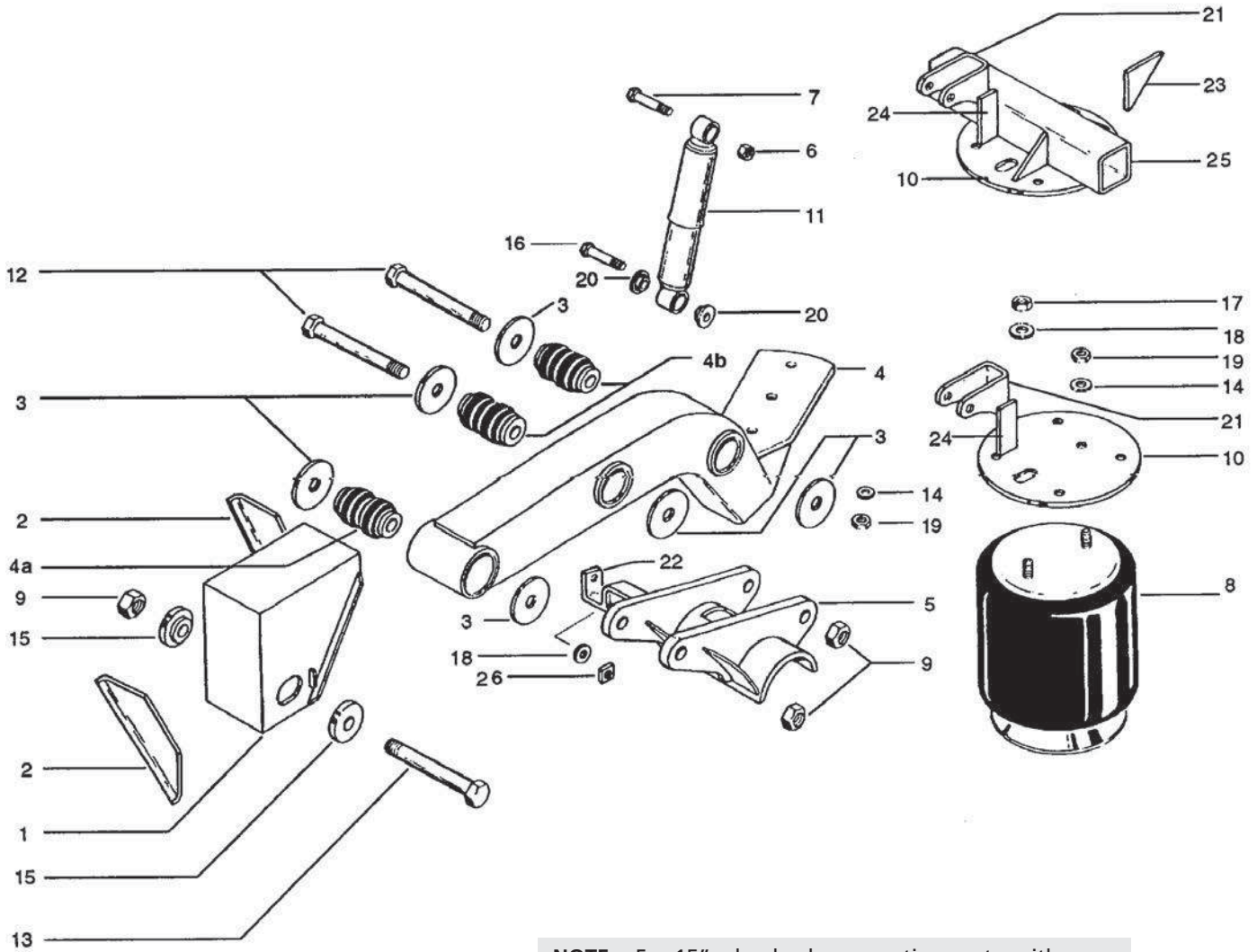
AR-80-6.75, -9, AR-80-9-WST Parts List

ITEM	PART NO.	DESCRIPTION	QTY REQD	MODEL	RIDE HEIGHT
1	905 20 351	Frame Bracket Adjustment LH	1	AR-80	6.75
	905 19 714	Frame Bracket Adjustable LH	1	AR-80	9, 9-WST
	905 20 352	Frame Bracket Fixed RH	1	AR-80	6.75
	905 20 151	Frame Bracket Adjustable RH	1	AR-80	9, 9-WST
2	900 23 002	Angle Brace	4	AR-80	All
3	900 08 147	Alignment Brace	4	AR-80	All
4	932 01 055	Cap Screw 1-1/8"-7 x 9-1/4" Gr5	2	AR-80	All
5	934 00 506	Lock Nut 1-1/8"-7	2	AR-80	All
6	905 16 447	Equalizing Beam Assembly LH (Includes Key #6a, 6b, 18)	1	AR-80	6.75, 9-WST
	905 16 448	Equalizing Beam Assembly RH (Includes Key #6a, 6b, 18)	1	AR-80	6.75, 9-WST
	905 16 449	Equalizing Beam Assembly LH (Includes Key #6a, 6b)	1	AR-80	9
6a	900 08 139	Rubber Bushing	2	AR-80	All
6b	900 01 131	Beam Seat	2	AR-80	All
7	905 57 078	Air Spring Assembly	2	AR-80	6.75
	905 57 125	Air Spring Assembly	2	AR-80	9, 9-WST
8	900 44 046	Shock Absorber	2	AR-80	6.75
	900 44 868	Shock Absorber	2	AR-80	9
	900 44 626	Shock Absorber	2	AR-80	9-WST
9	900 36 177	Spacer Washer	4	AR-80	All
10	900 41 878	U-Bolt 1"-8 x 9"	4	AR-80	All
11	900 01 132	Axle Adapter	2	AR-80	All
12	900 28 047	Rubber Wrapper	2	AR-80	All
13	900 28 083	Rubber Pad	2	AR-80	All
14	900 10 032	Axle Cap	2	AR-80	All
15	900 23 876	Reinforcement Bracket	2	AR-80	6.75
16	900 33 785	Air Spring Mounting Plate	2	AR-80	6.75, 9-WST
	900 31 027	Air Spring Mounting Plate	2	AR-80	9
17	900 18 427	Upper Shock Bracket	2	AR-80	6.75, 9-WST
	900 18 115	Upper Shock Bracket	2	AR-80	9
18	905 19 425	Lower Shock Bracket	2	AR-80	6.75, 9-WST
	905 20 276	Lower Shock Bracket	2	AR-80	9
19	900 31 182	Gusset	2	AR-80	6.75, 9-WST
20	900 31 437	Plate	2	AR-80	9-WST
21	939 00 027	Flat Washer 1"	8	AR-80	All
22	934 00 502	Lock Nut 1"-8	8	AR-80	All
23	936 00 072	Lock Washer 1/2"	8	AR-80	All
24	930 02 893	Cap Screw 1/2"-13 x 1"	6	AR-80	All
25	934 00 136	Hex Nut 1/2"-13	2	AR-80	All
26	934 00 149	Hex Nut 3/4"-16	2	AR-80	All
27	936 00 077	Lock Washer	4	AR-80	All
28	934 00 492	Lock Nut 3/4"-10	2	AR-80	All
29	930 03 597	Cap Screw 3/4"-10 x 3-1/2"	4	AR-80	All
30	934 00 367	Square Nut 3/4"-10	2	AR-80	6.75, 9-WST
31	905 08 004	Replacement Shock Bushing	8	AR-80	All
32	936 00 156	Flat Washer 3/4"	2	AR-80	6.75, 9-WST
33	900 25 018	Angle Brace	2	AR-80	6.75, 9-WST
34	900 33 511	Spacer	2	AR-80	6.75
SERVICE REPAIR KITS					
	481 00 108	SRK-64 - Axle Connection (5" Square, 20" Wheel)	1	AR-80	All
	481 00 202	SRK-145 - Pivot Connection	1	AR-80	All

AR-90-14, -15, -16, -17 Exploded View



SAF-HOLLAND Group



NOTE: For 15" wheel axle connection parts, with cam on horizontal centerline, refer to page 3-119.

**DISCONTINUED MODEL
SERVICE PARTS ONLY**
Please contact Customer Service for part availability
888.396.6501



SAF-HOLLAND Group

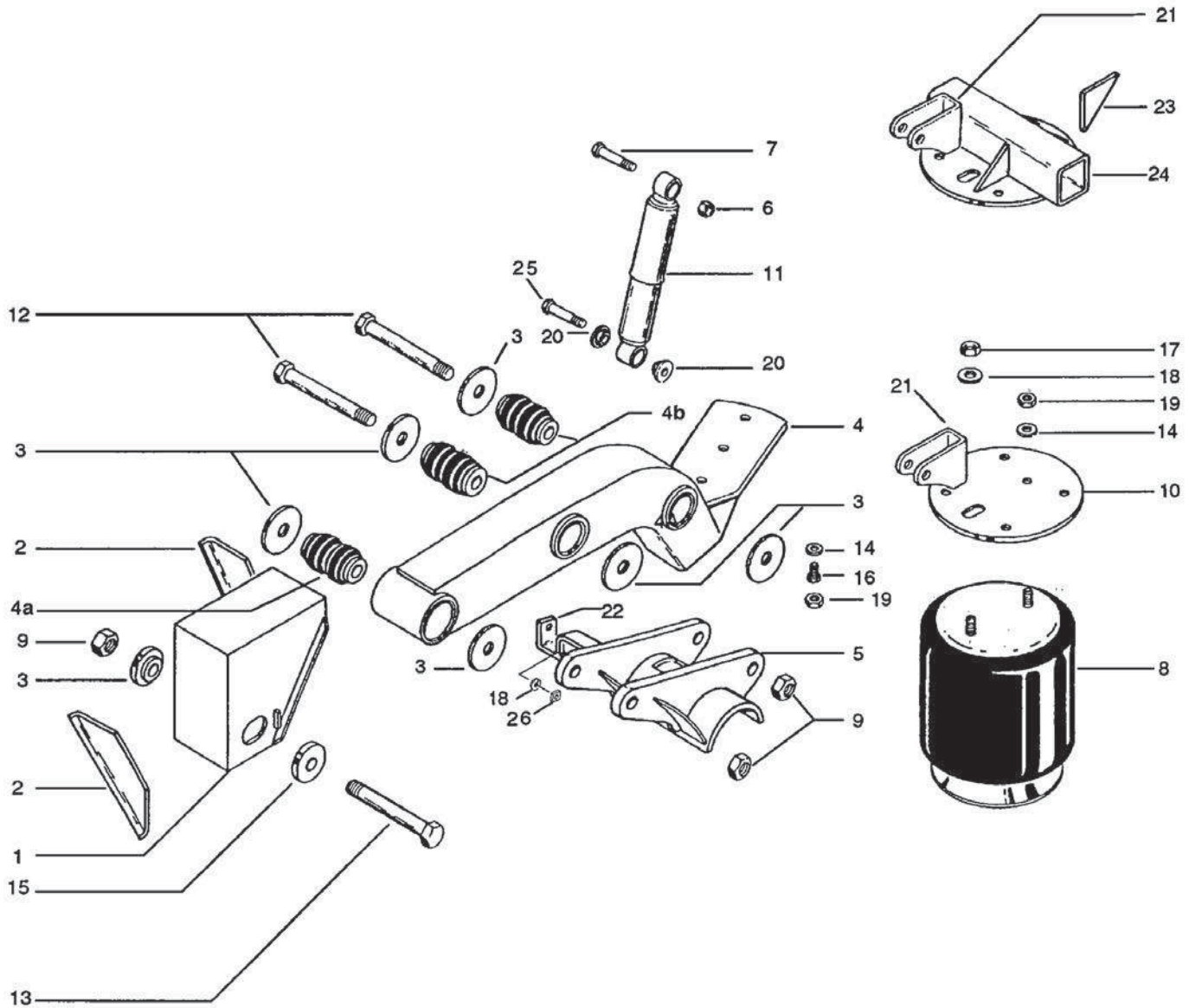
AR-90-14, -15, -16, -17 Parts List

ITEM	PART NO.	DESCRIPTION	QTY REQD	RIDE HEIGHT
1	905 19 710	Adjustable Frame Bracket	2	14,15
	905 20 235	Adjustable Frame Bracket	2	16
	905 19 712	Adjustable Frame Bracket	2	17
2	900 23 002	Angle Brace	4	14,15
	900 23 001	Angle Brace	4	16,17
3	900 36 177	Spacer Washer	12	All
4	905 16 112	Equalizing Beam LH (Includes Item #4a, 4b)	1	All
	905 16 113	Equalizing Beam RH (Includes Item #4a, 4b)	1	All
4a	900 08 139	Rubber Bushing (Front Pivot)	2	All
4b	900 08 149	Rubber Bushing (Axle Connection)	4	All
5	905 01 289	Axle Adapter LH (Includes Item #22)	1	All
	905 01 290	Axle Adapter RH (Includes Item #22)	1	All
6	934 00 492	Lock Nut 3/4 - 10	4	All
7	930 03 597	Cap Screw 3/4 - 10 x 3 1/2"	2	All
8	905 57 112	Air Spring Assembly	2	All
9	934 00 506	Lock Nut 1 1/8 - 7	6	All
10	900 33 785	Air Spring Mounting Plate	2	All
11	900 44 089	Shock Absorber	2	All
12	932 01 051	Cap Screw 1 1/8 - 7 x 8 1/2"	4	All
13	932 01 055	Cap Screw 1 1/8 - 7 x 9 1/4"	2	All
14	936 00 072	Lock Washer 1/2"	4	All
15	900 08 147	Alignment Bushing	4	All
16	930 03 609	Cap Screw 3/4 - 10 x 4"	2	All
17	934 00 149	Hex Nut 3/4 - 16	2	All
18	936 00 077	Lock Washer 3/4"	4	All
19	934 00 136	Hex Nut 1/2 - 13	4	All
20	905 08 004	Replacement Shock Bushing	8	All
21	900 18 116	Upper Shock Bracket	2	All
22	905 19 773	Lower Shock Bracket	2	All
23	900 31 182	Gusset	6	17
24	900 32 742	Plate	2	14,15,16
25	900 38 312	Tube	2	17
26	934 00 367	Square Nut 3/4 - 10	2	All
SERVICE REPAIR KITS				
	481 00 202	SRK-145 - Pivot Connection	1	All
	481 00 206	SRK-149 - Axle Connection (5" Round, 20" Wheel)	1	All

AR-90-1-12, -14, -15, -16, -17 Exploded View



SAF-HOLLAND Group



**DISCONTINUED MODEL
SERVICE PARTS ONLY**
Please contact Customer Service for part availability
888.396.6501



SAF-HOLLAND Group

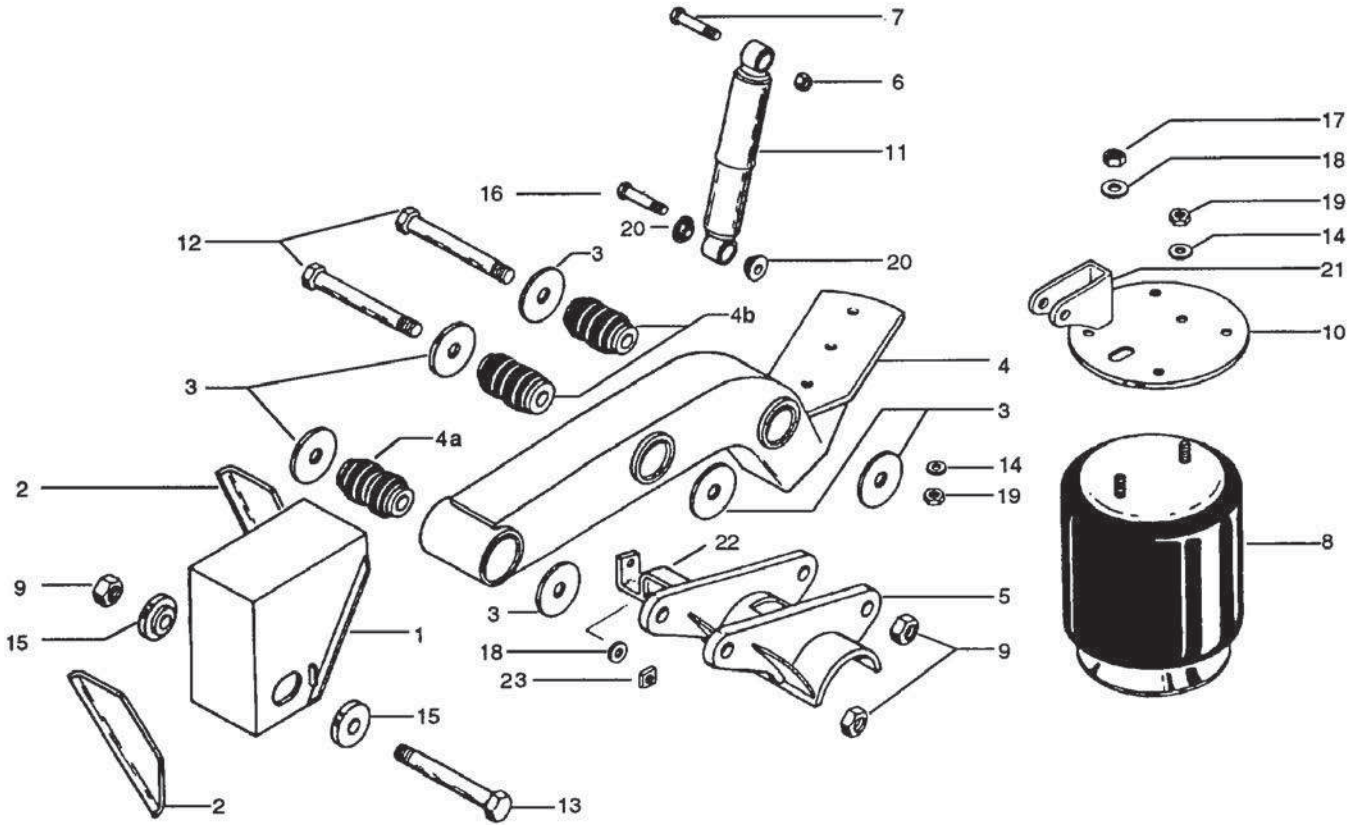
AR-90-1-12, -14, -15, -16, -17 Parts List

ITEM	PART NO.	DESCRIPTION	QTY REQD	RIDE HEIGHT
1	905 20 219	Adjustable Frame Bracket	2	12
	905 19 710	Adjustable Frame Bracket	2	14,15
	905 20 235	Adjustable Frame Bracket	2	16
	905 19 712	Adjustable Frame Bracket	2	17
2	900 23 002	Angle Brace	4	12,14,15
	900 23 001	Angle Brace	4	16,17
3	900 36 177	Spacer Washer	12	All
4	905 16 500	Equalizing Beam LH (Includes Item #4a, 4b)	1	All
	905 16 501	Equalizing Beam RH (Includes Item #4a, 4b)	1	All
4a	900 08 139	Rubber Bushing (Front Pivot)	2	All
4b	900 08 149	Rubber Bushing (Axle Connection)	4	All
5	905 01 289	Axle Adapter LH (Includes Item #22)	1	All
	905 01 290	Axle Adapter RH (Includes Item #22)	1	All
6	934 00 492	Lock Nut 3/4 - 10	2	All
7	930 03 597	Cap Screw 3/4 - 10 x 3 1/2"	2	All
8	905 57 131	Air Spring Assembly LH	1	12
	905 57 130	Air Spring Assembly RH	1	12
	905 57 113	Air Spring Assembly	2	14,17
	905 57 124	Air Spring Assembly	2	15,16
9	934 00 506	Lock Nut 1 1/8 - 7	6	All
10	900 33 785	Air Spring Mounting Plate	2	All
11	900 44 162	Shock Absorber	2	12,14,17
	900 45 054	Shock Absorber	2	15,16
12	932 01 051	Cap Screw 1 1/8 - 7 x 8 1/2"	4	All
13	932 01 055	Cap Screw 1 1/8 - 7 x 9 1/4"	2	All
14	936 00 072	Lock Washer 1/2"	6	12
	936 00 072	Lock Washer 1/2"	4	14,15,16,17
15	900 08 147	Alignment Bushing	4	All
16	930 02 893	Cap Screw 1/2 - 13 x 1"	4	12
17	934 00 149	Hex Nut 3/4 - 16	2	All
18	936 00 077	Lock Washer 3/4"	4	All
19	934 00 136	Hex Nut 1/2 - 13	2	12
	934 00 136	Hex Nut 1/2 - 13	4	14,15,16,17
20	905 08 004	Replacement Shock Bushing	8	All
21	900 18 445	Upper Shock Bracket	2	All
22	905 19 773	Lower Shock Bracket	2	All
23	900 31 182	Gusset	2	17
24	900 38 312	Tube	2	17
25	930 03 609	Cap Screw 3/4 - 10 x 4"	2	All
26	934 00 367	Square Nut 3/4 - 10	2	All
SERVICE REPAIR KITS				
	481 00 202	SRK-145 - Pivot Connection	1	All
	481 00 206	SRK-149 - Axle Connection (5" Round, 20" Wheel)	1	All

AR-92-12, -14, -15, -16, -17, -18 Exploded View



SAF-HOLLAND Group



DISCONTINUED MODEL SERVICE PARTS ONLY

Please contact Customer Service for part availability
888.396.6501



SAF-HOLLAND Group

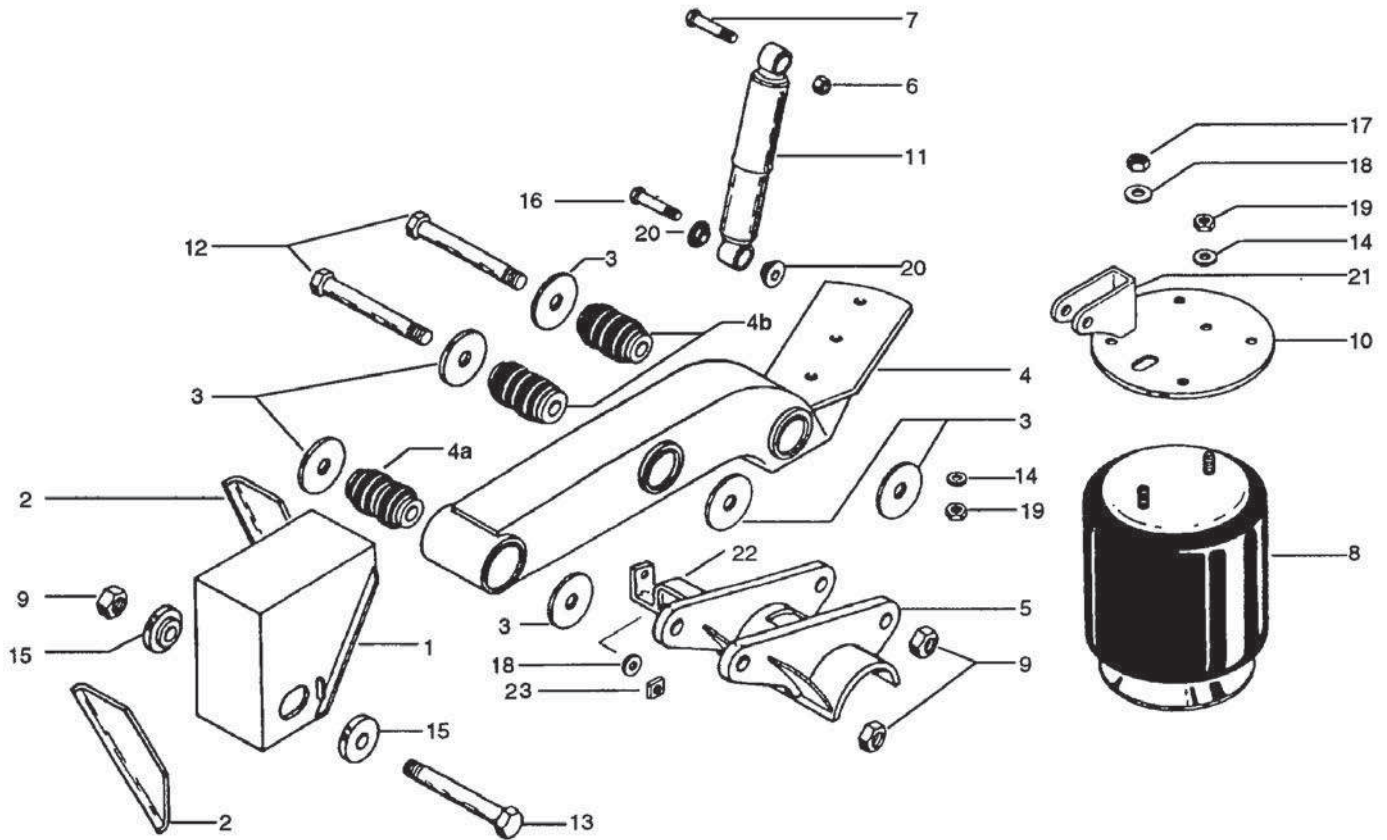
AR-92-12, -14, -15, -16, -17, -18 Parts List

ITEM	PART NO.	DESCRIPTION	QTY REQD	RIDE HEIGHT
1	905 20 383	Adjustable Frame Bracket	2	12
	905 20 346	Adjustable Frame Bracket	2	14
	905 19 710	Adjustable Frame Bracket	2	15
	905 20 235	Adjustable Frame Bracket	2	16,17
	905 20 385	Adjustable Frame Bracket	2	18
2	900 25 157	Angle Brace	4	12
	900 23 002	Angle Brace	4	14,15
	900 23 001	Angle Brace	4	16,17,18
3	900 36 177	Spacer Washer	12	All
4	905 16 500	Equalizing Beam LH (Includes Item #4a, 4b)	1	All
	905 16 501	Equalizing Beam RH (Includes Item #4a, 4b)	1	All
4a	900 08 139	Rubber Bushing (Front Pivot)	2	All
4b	900 08 149	Rubber Bushing (Axle Connection)	4	All
5	905 01 289	Axle Adapter LH (Includes Item #22)	1	All
	905 01 290	Axle Adapter RH (Includes Item #22)	1	All
6	934 00 492	Lock Nut 3/4 - 10	2	All
7	930 03 597	Cap Screw 3/4 - 10 x 3 1/2"	2	All
8	905 57 117	Air Spring Assembly	2	12,14
	905 57 118	Air Spring Assembly	2	15,16
	905 57 119	Air Spring Assembly	2	17,18
9	934 00 506	Lock Nut 1 1/8 - 7	6	All
10	900 33 785	Air Spring Mounting Plate	2	All
11	900 44 162	Shock Absorber	2	12
	900 45 040	Shock Absorber	2	14
	900 45 054	Shock Absorber	2	15
	900 44 794	Shock Absorber	2	16
	900 44 642	Shock Absorber	2	17
	900 44 089	Shock Absorber	2	18
12	932 01 051	Cap Screw 1 1/8 - 7 x 8 1/2"	4	All
13	932 01 055	Cap Screw 1 1/8 - 7 x 9 1/4"	2	All
14	936 00 072	Lock Washer 1/2"	4	All
15	900 08 147	Alignment Bushing	4	All
16	930 03 609	Cap Screw 3/4 - 10 x 4"	2	All
17	934 00 149	Hex Nut 3/4 - 16	2	All
18	936 00 077	Lock Washer 3/4"	4	All
19	934 00 136	Hex Nut 1/2 - 13	4	All
20	905 08 004	Replacement Shock Bushing	8	All
21	900 18 515	Upper Shock Bracket	2	All
22	905 19 773	Lower Shock Bracket	2	All
23	934 00 367	Square Nut 3/4 - 10	2	All
SERVICE REPAIR KITS				
	481 00 202	SRK-145 - Pivot Connection	1	All
	481 00 206	SRK-149 - Axle Connection (5" Round, 20" Wheel)	1	All

AR-93-14, -15, -16, -17 Exploded View



SAF-HOLLAND Group



DISCONTINUED MODEL SERVICE PARTS ONLY

Please contact Customer Service for part availability
888.396.6501



SAF-HOLLAND Group

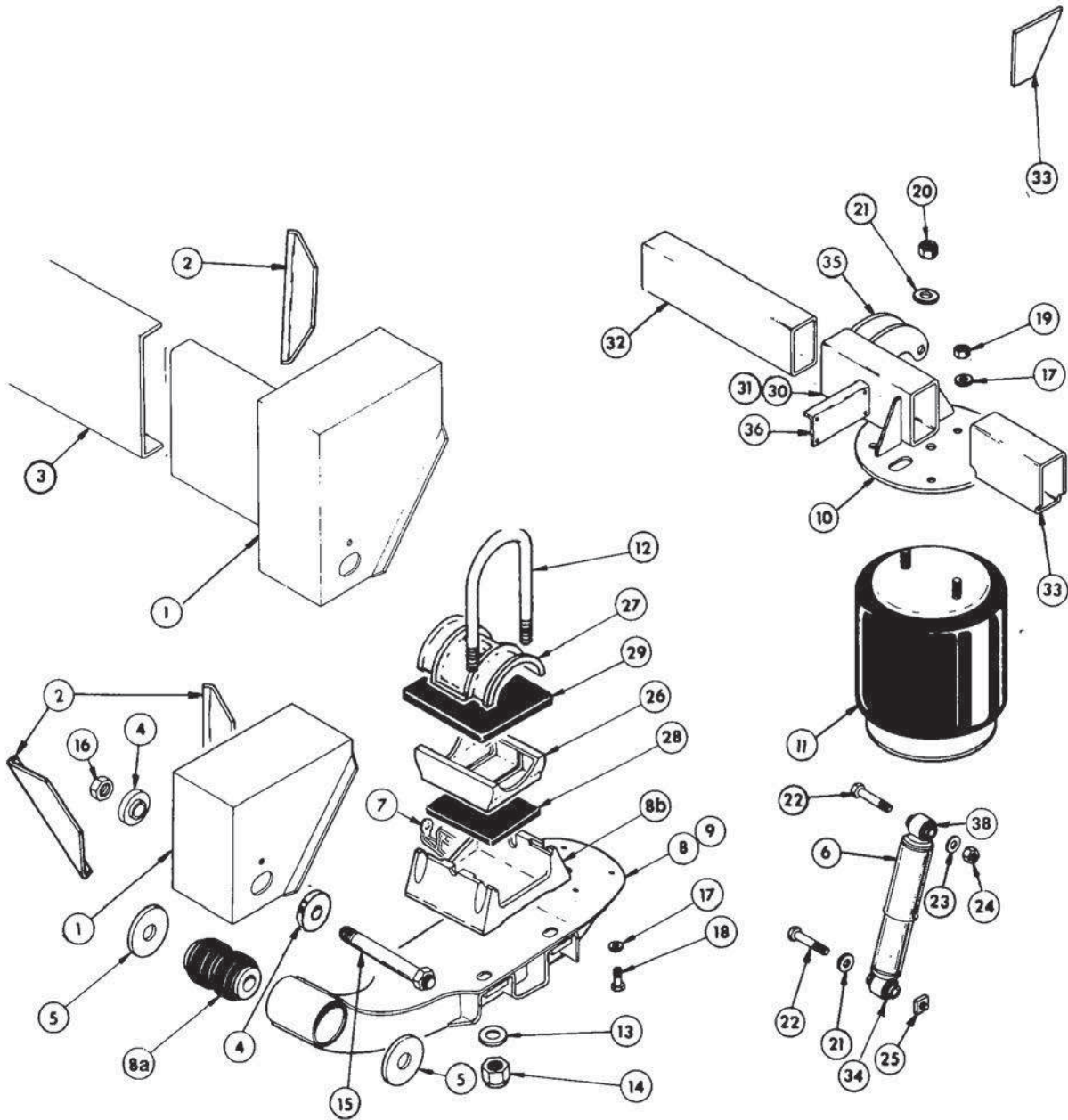
AR-93-14, -15, -16, -17 Parts List

ITEM	PART NO.	DESCRIPTION	QTY REQD	RIDE HEIGHT
1	905 20 346	Adjustable Frame Bracket	2	14
	905 19 710	Adjustable Frame Bracket	2	15
	905 20 235	Adjustable Frame Bracket	2	16,17
2	900 23 002	Angle Brace	4	14,15
	900 23 001	Angle Brace	4	16,17
3	900 36 177	Spacer Washer	12	All
4	905 16 482	Equalizing Beam LH (Includes Item #4a, 4b)	1	All
	905 16 483	Equalizing Beam RH (Includes Item #4a, 4b)	1	All
4a	900 08 139	Rubber Bushing (Front Pivot)	2	All
4b	900 08 149	Rubber Bushing (Axle Connection)	4	All
5	905 01 289	Axle Adapter LH (Includes Item #22)	1	All
	905 01 290	Axle Adapter RH (Includes Item #22)	1	All
6	934 00 492	Lock Nut 3/4"-10	2	All
7	930 03 597	Cap Screw 3/4"-10 x 3 1/2"	2	All
8	905 57 117	Air Spring Assembly	2	14
	905 57 118	Air Spring Assembly	2	15,16
	905 57 119	Air Spring Assembly	2	17
9	934 00 506	Lock Nut 1 1/8 - 7	6	All
10	900 33 785	Air Spring Mounting Plate	2	All
	900 45 054	Shock Absorber	2	14
	900 44 794	Shock Absorber	2	15
	900 44 642	Shock Absorber	2	16
	900 44 089	Shock Absorber	2	17
12	932 01 051	Cap Screw -1/8 - 7 x 8 1/2"	4	All
13	932 01 055	Cap Screw 1-1/8 - 7 x 9 1/4"	2	All
14	936 00 072	Lock Washer 1/2"	4	All
15	900 08 147	Alignment Bushing	4	All
16	930 03 609	Cap Screw 3/4"-10 x 4"	2	All
17	934 00 149	Hex Nut 3/4 - 16	2	All
18	936 00 077	Lock Washer 3/4"	4	All
19	934 00 136	Hex Nut 1/2"- 13	4	All
20	905 08 004	Replacement Shock Bushing	8	All
21	900 18 515	Upper Shock Bracket	2	All
22	905 19 773	Lower Shock Bracket	2	All
23	934 00 367	Square Nut 3/4" - 10	2	All
SERVICE REPAIR KITS				
	481 00 202	SRK-145 - Pivot Connection	1	All
	481 00 206	SRK-149 - Axle Connection (5" Round, 20" Wheel)	1	All

AR-95-9-HD, -12-HD, -14-HD, -17-HD Exploded View



SAF-HOLLAND Group



**DISCONTINUED MODEL
SERVICE PARTS ONLY**
Please contact Customer Service for part availability
888.396.6501



SAF-HOLLAND Group

AR-95-9-HD, -12-HD, -14-HD, -17-HD Parts List

ITEM	PART NO.	DESCRIPTION	QTY REQD	MODEL	RIDE HEIGHT
1	905 18 714	Frame Bracket Assembly Adjustable	2	AR-95	9-HD, 12-HD
	905 18 719	Frame Bracket Assembly RH Fixed (Includes Key #4)	1	AR-95	14-HD, 17-HD
	905 18 720	Frame Bracket Assembly LH Adjustable	1	AR-95	14-HD, 17-HD
2	900 23 866	Angle Brace	4	AR-95	9-HD, 12-HD
	900 23 918	Angle Brace LH	1	AR-95	14-HD, 17-HD
	900 23 919	Angle Brace RH	1	AR-95	14-HD, 17-HD
3	410 23 327	Channel	1	AR-95	14-HD, 17-HD
4	900 08 092	Adjusting Bushing	4	AR-95	All
5	900 36 177	Spacer Washer	4	AR-95	All
6	900 44 625	Shock Absorber	2	AR-95	All
7	900 18 179	Lower Shock Bracket	2	AR-95	All
8	905 16 225	Equalizing Beam Assembly LH (Includes Key #8a, 8b, 7)	1	AR-95	12-HD, 17-HD
	905 16 295	Equalizing Beam Assembly LH (Includes Key #8a, 8b, 7)	1	AR-95	9-HD, 14-HD
8a	900 08 139	Rubber Bushing	2	AR-95	All
8b	900 01 131	Beam Seat	2	AR-95	12-HD, 17-HD
	905 01 181	Beam Seat	2	AR-95	9-HD, 14-HD
9	905 16 226	Equalizing Beam Assembly RH (Includes Key #8a, 8b, 7)	1	AR-95	12-HD, 17-HD
10	900 33 785	Air Spring Mounting Plate	2	AR-95	All
11	905 57 077	Air Spring Assembly	2	AR-95	All
12	900 41 394	U-Bolt 1"-8 x 12" c 5" Round	4	AR-95	9-HD, 14-HD
	900 41 382	U-Bolt, 1"-8 x 9" x 5" Round	4	AR-95	12-HD, 17-HD
	900 42 795	U-Bolt 1"-8 x 12-1/2" x 5" Square	4	AR-95	9-HD, 14-HD
	900 41 997	U-Bolt 1"-8 x 9-1/2" x 5" Square	4	AR-95	12-HD, 17-HD
13	939 00 027	Flat Washer 1"	8	AR-95	All
14	934 00 502	Lock Nut 1"-8	8	AR-95	All
15	932 01 055	Bolt 1-1/8"-7 x 9-1/2"	2	AR-95	All
16	934 00 506	Lock Nut 1-1/8"-7	2	AR-95	All
17	936 00 072	Lock Washer 1/2"	14	AR-95	All
18	930 02 893	Bolt 1/2"-13 x 1"	6	AR-95	All
19	934 00 136	Hex Nut 1/2"-13	8	AR-95	All
20	934 00 149	Hex Nut 3/4"-16	2	AR-94	All
21	936 00 077	Lock Washer 3/4"	4	AR-95	All
22	930 03 603	Cap Screw 3/4"-10 x 3-3/4"	4	AR-95	All
23	936 00 156	Flat Washer 3/4"	2	AR-95	All
24	934 00 492	Lock Nut 3/4"-10	2	AR-95	All
25	934 00 367	Square Nut 3/4"-10	2	AR-95	All
26	900 01 082	Axle Adapter 5" Round	2	AR-95	All
	900 01 083	Axle Adapter 5" Square	2	AR-95	All
27	900 10 002	Axle Cap 5" Round	2	AR-95	All
	900 10 022	Axle Cap 5" Square	2	AR-95	All
28	900 28 083	Rubber Pad	2	AR-95	All
29	900 28 007	Rubber Wrapper 5" Round	2	AR-95	All
	900 28 005	Rubber Wrapper 5" Square	2	AR-95	All
30	905 18 726	Crossmember Assembly LH (Includes Key #10, 35, 36)	1	AR-95	14-HD, 17-HD
	905 18 727	Crossmember Assembly LH (Includes Key #10, 35, 36)	1	AR-95	9-HD, 12-HD
31	905 18 753	Crossmember Assembly RH (Includes Key #10, 35, 36)	1	AR-95	14-HD, 17-HD
	905 18 754	Crossmember Assembly RH (Includes Key #10, 35, 36)	1	AR-95	9-HD, 12-HD
32	905 38 008	Channel Assembly	1	AR-95	All
33	905 38 007	Channel Assembly	2	AR-95	9-HD, 12-HD
	900 32 137	Gusset	2	AR-95	14-HD, 17-HD
34	905 08 004	Replacement Shock Bushing	8	AR-95	All
35	900 18 322	Upper Shock Bracket	2	AR-95	All
36	900 23 865	Bracket	2	AR-95	All

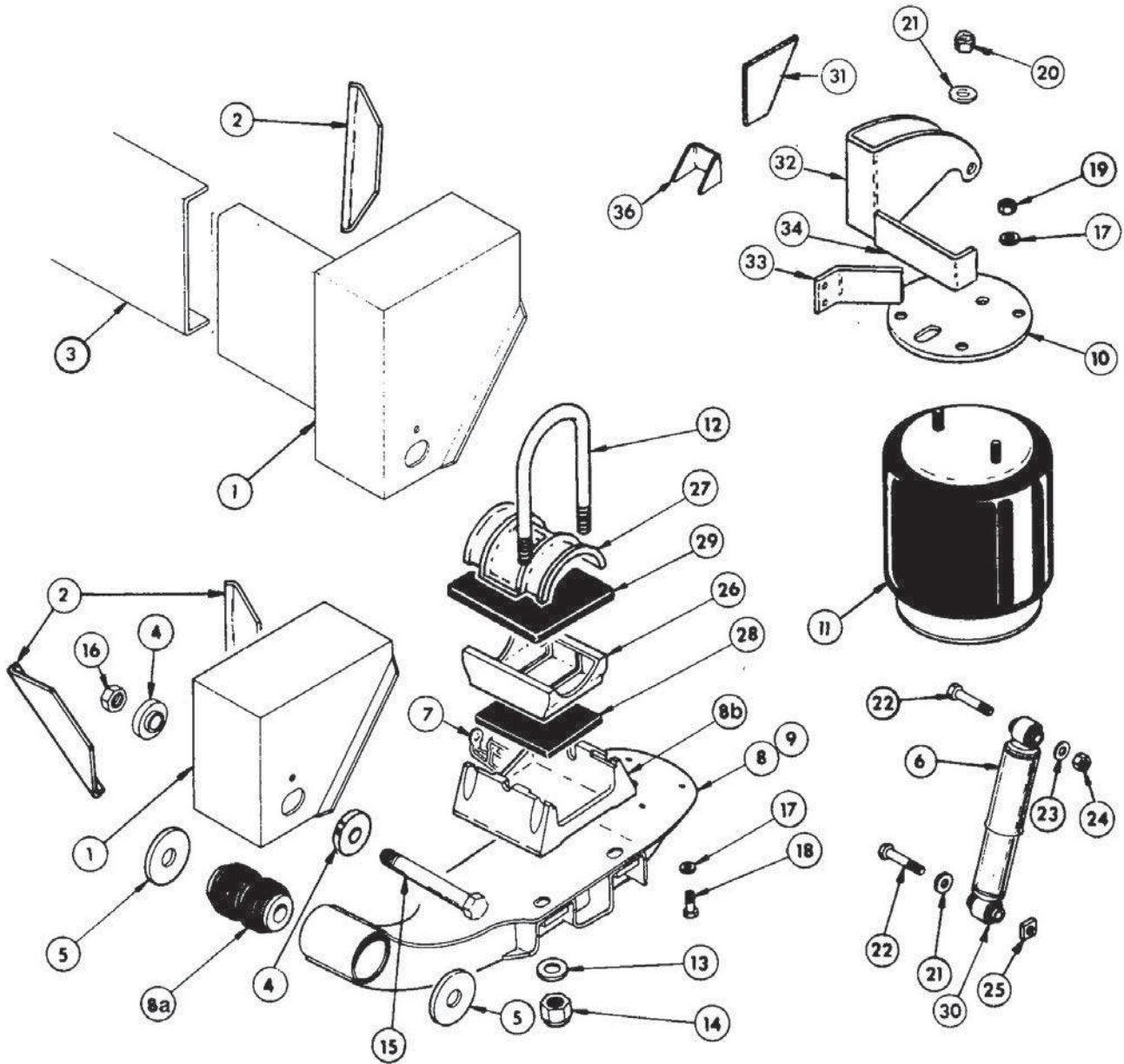
SERVICE REPAIR KITS

481 00 112	SRK-68 - Axle Connection (5" Square, 20" Wheel)	1	AR-95	12-HD, 17-HD
481 00 186	SRK-132 - Axle Connection (5" Round Heavy-Duty)	1	AR-95	9-HD, 14-HD
481 00 202	SRK-145 - Pivot Connection	1	AR-95	All

AR-95A-9-HD, -12-HD, -14-HD, -17-HD Exploded View



SAF-HOLLAND Group



**DISCONTINUED MODEL
SERVICE PARTS ONLY**
Please contact Customer Service for part availability
888.396.6501



SAF-HOLLAND Group

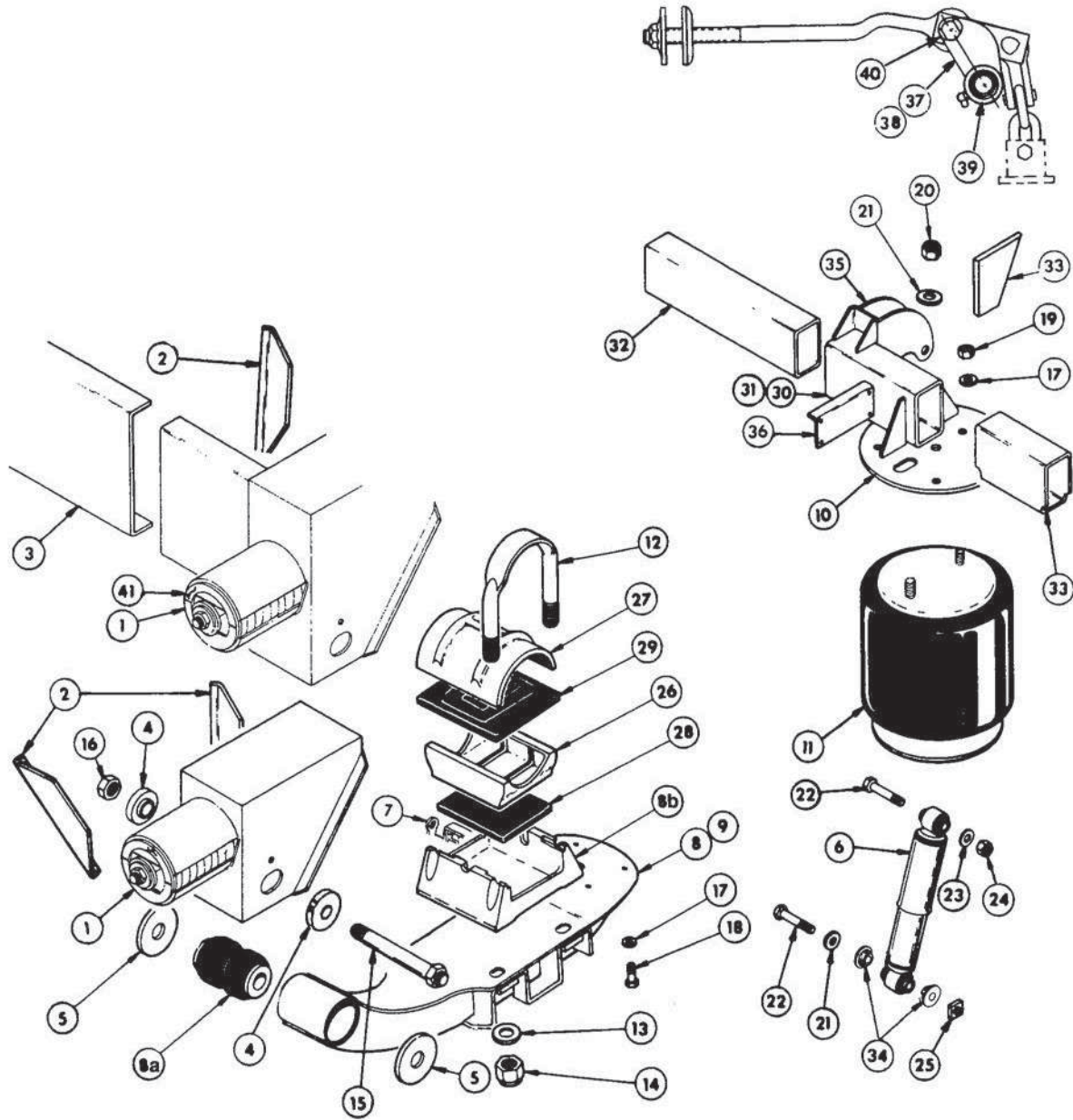
AR-95A-9-HD, -12-HD, -14-HD, -17-HD Parts List

ITEM	PART NO.	DESCRIPTION	QTY REQD	MODEL	RIDE HEIGHT
1	905 18 714	Frame Bracket Assembly Adjustable	2	AR-95A	9-HD, 12-HD
	905 18 719	Frame Bracket Assembly RH Fixed (Includes Key #4)	1	AR-95A	14-HD, 17-HD
	905 18 720	Frame Bracket Assembly LH Adjustable	1	AR-95A	14-HD, 17-HD
2	900 23 866	Angle Brace	4	AR-95A	9-HD, 12-HD
	900 23 918	Angle Brace LH	1	AR-95A	14-HD, 17-HD
	900 23 919	Angle Brace RH	1	AR-95A	14-HD, 17-HD
3	410 23 327	Channel	1	AR-95A	14-HD, 17-HD
4	900 08 092	Adjusting Bushing	4	AR-95A	All
5	900 36 177	Spacer Washer	4	AR-95A	All
6	900 44 625	Shock Absorber	2	AR-95A	All
7	900 18 749	Lower Shock Bracket	2	AR-95A	All
8	905 16 377	Equalizing Beam Assembly LH (Includes Key #8a, 8b, 7)	1	AR-95A	9-HD, 14-HD
	905 16 275	Equalizing Beam Assembly LH (Includes Key #8a, 8b, 7)	1	AR-95A	12-HD, 17-HD
8a	900 08 139	Rubber Bushing	2	AR-95A	All
8b	900 01 131	Beam Seat	2	AR-95A	12-HD, 17-HD
	905 01 181	Beam Seat	2	AR-95A	9-HD, 14-HD
9	905 16 378	Equalizing Beam Assembly RH (Includes Key #8a, 8b, 7)	1	AR-95A	9-HD, 14-HD
	905 16 376	Equalizing Beam Assembly RH (Includes Key #8a, 8b, 7)	1	AR-95A	12-HD, 17-HD
10	900 33 785	Air Spring Mounting Plate	2	AR-95A	All
11	905 57 077	Air Spring Assembly	2	AR-95A	All
12	900 41 394	U-Bolt 1"-8 x 12" c 5" Round	4	AR-95A	9-HD, 14-HD
	900 41 382	U-Bolt, 1"-8 x 9" x 5" Round	4	AR-95A	12-HD, 17-HD
	900 42 836	U-Bolt 1"-8 x 9-1/2" x 5" Square	4	AR-95A	12-HD, 17-HD
	900 42 846	U-Bolt 1"-8 x 112-1/2" x 5" Square	4	AR-95A	9-HD, 14-HD
13	939 00 027	Flat Washer 1"	8	AR-95A	All
14	934 00 502	Lock Nut 1"-8	8	AR-95A	All
15	932 01 055	Bolt 1-1/8"-7 x 9-1/2"	2	AR-95A	All
16	934 00 506	Lock Nut 1-1/8"-7	2	AR-95A	All
17	936 00 072	Lock Washer 1/2"	8	AR-95A	All
18	930 02 905	Bolt 1/2"-13 x 1"	6	AR-95A	All
19	934 00 136	Hex Nut 1/2"-13	2	AR-95A	All
20	934 00 149	Hex Nut 3/4"-16	2	AR-94A	All
21	936 00 077	Lock Washer 3/4"	4	AR-95A	All
22	930 03 597	Bolt 3/4"-10 x 3-1/2"	4	AR-95A	All
23	936 00 156	Flat Washer 3/4"	2	AR-95A	All
24	934 00 492	Lock Nut 3/4"-10	2	AR-95A	All
25	934 00 367	Square Nut 3/4"-10	2	AR-95A	All
26	900 01 132	Axle Adapter 5" Round	2	AR-95A	All
	900 01 133	Axle Adapter 5" Square	2	AR-95A	All
27	900 10 002	Axle Cap 5" Round	2	AR-95A	All
	900 10 047	Axle Cap 5" Square	2	AR-95A	All
28	900 28 083	Rubber Pad	2	AR-95A	All
29	900 28 007	Rubber Wrapper 5" Round	2	AR-95A	All
	900 28 073	Rubber Wrapper 5" Square	2	AR-95A	All
30	905 08 004	Replacement Shock Bushing	8	AR-95A	All
31	900 32 137	Gusset	2	AR-95A	14-HD, 17-HD
32	900 18 427	Upper Shock Bracket	2	AR-95A	All
33	900 18 527	Bracket	2	AR-95A	All
34	900 24 664	Support	2	AR-95A	All
35	900 23 876	Reinforcement Bracket	2	AR-95A	All
SERVICE REPAIR KITS					
	481 00 186	SRK-132 - Axle Connection (5" Round Heavy-Duty)	1	AR-95A	9-HD, 14-HD
	481 00 202	SRK-145 - Pivot Connection	1	AR-95A	All

AR-955-9, -12, -14, -17 Exploded View



SAF-HOLLAND Group



**DISCONTINUED MODEL
SERVICE PARTS ONLY**
Please contact Customer Service for part availability
888.396.6501

ITEM	PART NO.	DESCRIPTION	QTY REQD	MODEL	RISE HEIGHT
1	905 19 985	Frame Bracket Assembly LH Adjustable	2	AR-955	9, 12
	905 19 986	Frame Bracket Assembly RH Fixed (Includes Key #4)	1	AR-955	14, 17
	905 19 987	Frame Bracket Assembly LH Adjustable	1	AR-955	14, 17
2	900 23 866	Angle Brace	4	AR-955	9, 12
	900 23 918	Angle Brace LH	1	AR-955	14, 17
	900 23 919	Angle Brace RH	1	AR-955	14, 17
3	410 23 327	Channel	1	AR-955	14, 17
4	900 08 092	Adjusting Bushing	4	AR-955	All
5	900 36 177	Spacer Washer	4	AR-955	All



SAF-HOLLAND Group

AR-955-9, -12, -14, -17 Parts List

ITEM	PART NO.	DESCRIPTION	QTY REQD	MODEL	RIDE HEIGHT
6	900 44 625	Shock Absorber	2	AR-955	All
7	900 18 179	Lower Shock Bracket	2	AR-955	All
8	905 15 720	Equalizing Beam Assembly LH (Includes Key #8a, 8b, 7)	1	AR-955	9, 14
	905 15 637	Equalizing Beam Assembly LH (Includes Key #8a, 8b, 7)	1	AR-955	12, 17
8a	900 08 139	Rubber Bushing	2	AR-955	All
8b	900 01 008	Beam Seat	2	AR-955	9, 14
	900 01 006	Beam Seat	2	AR-955	12, 17
9	905 15 721	Equalizing Beam Assembly RH (Includes Key #8a, 8b, 7)	1	AR-955	9, 14
	905 15 638	Equalizing Beam Assembly RH (Includes Key #8a, 8b, 7)	1	AR-955	12, 17
10	900 33 785	Air Spring Mounting Plate	2	AR-955	All
11	905 57 077	Air Spring Assembly	2	AR-955	All
12	900 42 792	U-Bolt 1"-8 x 12-1/2" x 5" Round	4	AR-955	9, 14
	900 41 878	U-Bolt 1"-8 x 9" x 5" Round	4	AR-955	12, 17
	900 42 795	U-Bolt 1"-8 x 12-1/2" x 5" Square	4	AR-955	9, 14
	900 41 997	U-Bolt 1"-8 x 9-1/2" x 5" Square	4	AR-955	12, 17
13	939 00 027	Flat Washer 1"	8	AR-955	All
14	934 00 502	Lock Nut 1"-8	8	AR-955	All
15	932 01 055	Bolt 1-1/8"-7 x 9-1/4"	2	AR-955	All
16	934 00 506	Lock Nut 1-1/8"-7	2	AR-955	All
17	936 00 072	Lock Washer 1/2"	8	AR-955	All
18	930 02 893	Bolt 1/2"-13 x 1"	6	AR-955	All
19	934 00 136	Hex Nut 1/2"-13	2	AR-955	All
20	934 00 149	Hex Nut 3/4"-16	2	AR-955	All
21	936 00 077	Lock Washer 3/4"	4	AR-955	All
22	930 03 603	Bolt 3/4"-10 x 3-3/4"	4	AR-955	All
23	936 00 156	Washer, HT 3/4"	2	AR-955	All
24	934 00 492	Lock Nut 3/4"-10	2	AR-955	All
25	934 00 367	Square Nut 3/4"-10	2	AR-955	All
26	900 01 082	Axle Adapter 5" Round	2	AR-955	All
	900 01 083	Axle Adapter 5" Square	2	AR-955	All
27	900 10 032	Axle Cap 5" Round	2	AR-955	All
	900 10 022	Axle Cap 5" Square	2	AR-955	All
28	900 28 083	Rubber Pad	2	AR-955	All
29	900 28 047	Rubber Wrapper 5" Round	2	AR-955	All
	900 28 073	Rubber Wrapper 5" Square	2	AR-955	All
30	905 18 727	Crossmember Assembly LH (Includes Key #35, 36)	1	AR-955	9, 12
	905 18 726	Crossmember Assembly LH (Includes Key #35, 36)	1	AR-955	14, 17
31	905 18 754	Crossmember Assembly RH (Includes Key #35, 36)	1	AR-955	9, 12
	905 18 753	Crossmember Assembly RH (Includes Key #35, 36)	1	AR-955	14, 17
32	905 38 008	Channel Assembly	1	AR-955	All
33	905 38 007	Channel Assembly	2	AR-955	9, 12
	900 32 137	Gusset	2	AR-955	14, 17
34	905 08 004	Replacement Shock Bushing	8	AR-955	All
35	900 18 322	Upper Shock Bracket	2	AR-955	All
36	900 23 865	Bracket	2	AR-955	All

FOR COIL SPRING LIFT REPLACEMENT PARTS, REFER TO SERVICE REPAIR KITS BELOW

37	481 00 144	SRK-96 Cam Assembly - 1")	1	AR-955	All
38	481 00 151	SRK-103 Coil Lift Kit 1/2" Pin	1	AR-955	All
39	481 00 144	SRK-96 Lower Cam Pin - 1"	1	AR-955	All
40	481 00 144	SRK-96 Upper Cam Pin	1	AR-955	All
41	481 00 216	SRK-159 Coil Spring Replacement	2	AR-955	All

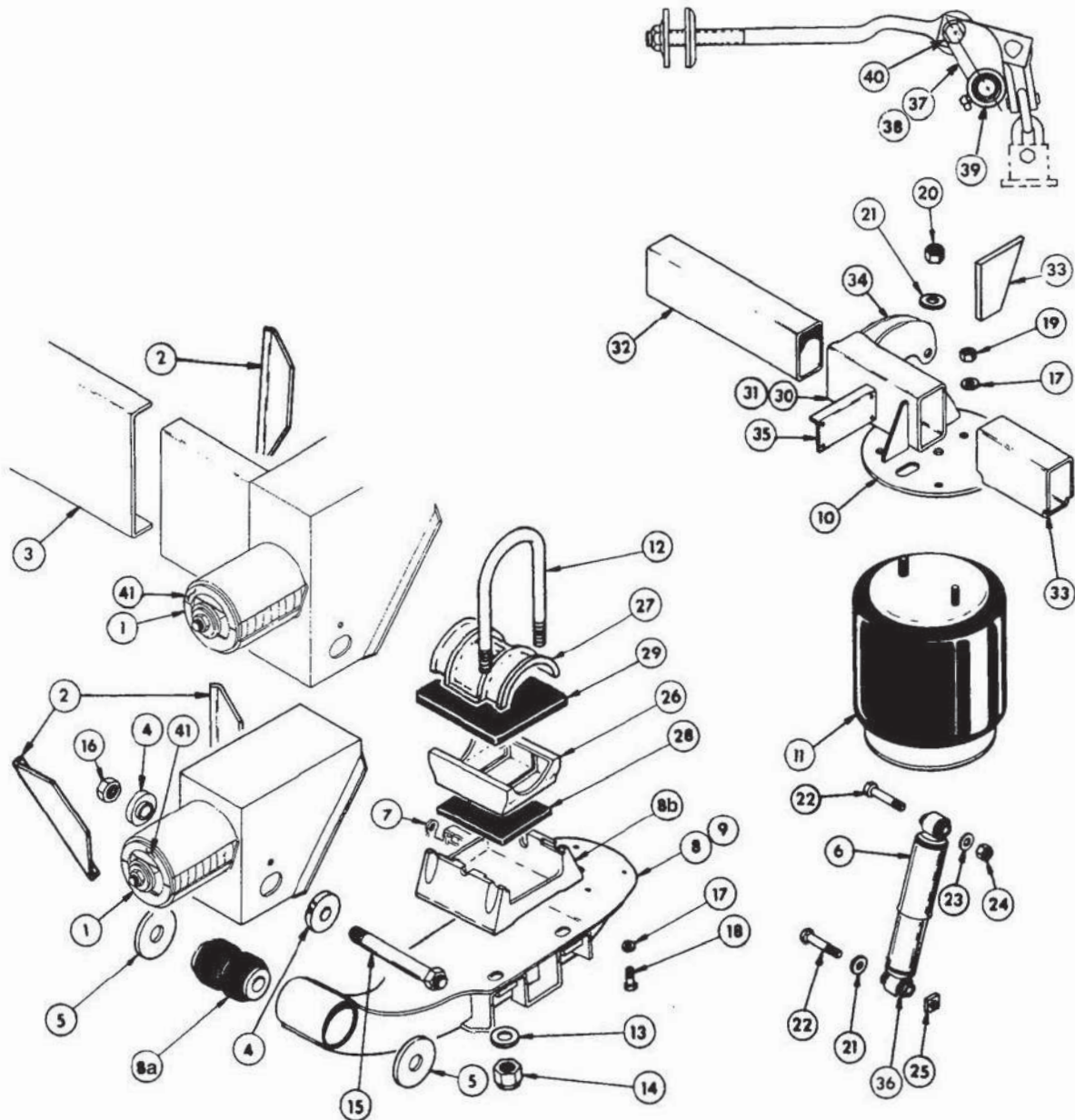
SERVICE REPAIR KITS

	481 00 108	SRK-64 - Axle Connection (5" Round)	1	AR-955	12, 17
	481 00 112	SRK-68 - Axle Connection (5" Square, 20" Wheel)	1	AR-955	12, 17
	481 00 181	SRK-128 - Axle Connection (5" Round)	1	AR-955	9, 14
	481 00 202	SRK-145 - Pivot Connection	1	AR-955	All

AR-955-9-HD, -12-HD, -14-HD, -17-HD Exploded View



SAF-HOLLAND Group



**DISCONTINUED MODEL
SERVICE PARTS ONLY**
Please contact Customer Service for part availability
888.396.6501

ITEM	PART NO.	DESCRIPTION	QTY REQD	MODEL	RIDE HEIGHT
1	905 19 985	Frame Bracket Assembly LH Adjustable	2	AR-955	9-HD, 12-HD
	905 19 986	Frame Bracket Assembly RH Fixed (Includes Key #4)	1	AR-955	14-HD, 17-HD
	905 19 987	Frame Bracket Assembly LH Adjustable	1	AR-955	14-HD, 17-HD
2	900 23 866	Angle Brace	4	AR-955	9-HD, 12-HD
	900 23 918	Angle Brace LH	1	AR-955	14-HD, 17-HD
	900 23 919	Angle Brace RH	1	AR-955	14-HD, 17-HD
3	410 23 327	Channel	1	AR-955	14-HD, 17-HD
4	900 08 092	Adjusting Bushing	4	AR-955	All
5	900 36 177	Spacer Washer	4	AR-955	All



SAF-HOLLAND Group

AR-955-9-HD, -12-HD, -14-HD, -17-HD Parts List

ITEM	PART NO.	DESCRIPTION	QTY REQD	MODEL	RIDE HEIGHT
6	900 44 625	Shock Absorber	2	AR-955	All
7	900 18 179	Lower Shock Bracket	2	AR-955	All
8	905 15 867	Equalizing Beam Assembly LH (Includes Key #8a, 8b, 7)	1	AR-955	9-HD, 14-HD
	905 15 785	Equalizing Beam Assembly LH (Includes Key #8a, 8b, 7)	1	AR-955	12-HD, 17-HD
8a	900 08 139	Rubber Bushing	2	AR-955	All
8b	900 01 128	Beam Seat	2	AR-955	9-HD, 14-HD
	900 01 119	Beam Seat	2	AR-955	12-HD, 17-HD
9	905 15 868	Equalizing Beam Assembly RH (Includes Key #8a, 8b, 7)	1	AR-955	9-HD, 14-HD
	905 15 786	Equalizing Beam Assembly RH (Includes Key #8a, 8b, 7)	1	AR-955	12-HD, 17-HD
10	900 33 785	Air Spring Mounting Plate	2	AR-955	All
11	905 57 077	Air Spring Assembly	2	AR-955	All
12	900 41 394	U-Bolt 1"-8 x 12" x 5" Round	4	AR-955	9-HD, 14-HD
	900 41 382	U-Bolt 1"-8 x 9" x 5" Round	4	AR-955	12-HD, 17-HD
	900 42 795	U-Bolt 1"-8 x 12-1/2" x 5" Square	4	AR-955	9-HD, 14-HD
	900 41 997	U-Bolt 1"-8 x 9-1/2" x 5" Square	4	AR-955	12-HD, 17-HD
13	939 00 027	Flat Washer 1"	8	AR-955	All
14	934 00 502	Lock Nut 1"-8	8	AR-955	All
15	932 01 055	Bolt 1-1/8"-7 x 9-1/4"	2	AR-955	All
16	934 00 506	Lock Nut 1-1/8"-7	2	AR-955	All
17	936 00 072	Lock Washer 1/2"	8	AR-955	All
18	930 02 893	Bolt 1/2"-13 x 1"	6	AR-955	All
19	934 00 136	Hex Nut 1/2"-13	2	AR-955	All
20	934 00 149	Hex Nut 3/4"-16	2	AR-955	All
21	936 00 077	Lock Washer 3/4"	4	AR-955	All
22	930 03 603	Bolt 3/4"-10 x 3-3/4"	4	AR-955	All
23	936 00 156	Washer, HT 3/4"	2	AR-955	All
24	934 00 492	Lock Nut 3/4"-10	2	AR-955	All
25	934 00 367	Square Nut 3/4"-10	2	AR-955	All
26	900 01 082	Axle Adapter 5" Round	2	AR-955	All
	900 01 083	Axle Adapter 5" Square	2	AR-955	All
27	900 10 002	Axle Cap 5" Round	2	AR-955	All
	900 10 022	Axle Cap 5" Square	2	AR-955	All
28	900 28 083	Rubber Pad	2	AR-955	All
29	900 28 007	Rubber Wrapper 5" Round	2	AR-955	All
	900 28 005	Rubber Wrapper 5" Square	2	AR-955	All
30	905 18 727	Crossmember Assembly LH (Includes Key #34, 35)	1	AR-955	9-HD, 12-HD
	905 18 726	Crossmember Assembly LH (Includes Key #34, 35)	1	AR-955	14-HD, 17-HD
31	905 18 754	Crossmember Assembly RH (Includes Key #34, 35)	1	AR-955	9-HD, 12-HD
	905 18 753	Crossmember Assembly RH (Includes Key #34, 35)	1	AR-955	14-HD, 17-HD
32	905 38 008	Channel Assembly	1	AR-955	All
33	905 38 007	Channel Assembly	2	AR-955	9-HD, 12-HD
	900 32 137	Gusset	2	AR-955	14-HD, 17-HD
34	900 18 322	Upper Shock Bracket	2	AR-955	All
35	900 23 865	Bracket	2	AR-955	All
36	905 08 004	Replacement Shock Bushing	8	AR-955	All

FOR COIL SPRING LIFT REPLACEMENT PARTS, REFER TO SERVICE REPAIR KITS BELOW

37	481 00 144	SRK-96 Cam Assembly - 1"	1	AR-955	All
38	481 00 151	SRK-103 Coil Lift Kit 1/2" Pin	1	AR-955	All
39	481 00 144	SRK-96 Lower Cam Pin - 1"	1	AR-955	All
40	481 00 144	SRK-96 Upper Cam Pin	1	AR-955	All
41	481 00 216	SRK-159 Coil Spring Replacement	2	AR-955	All

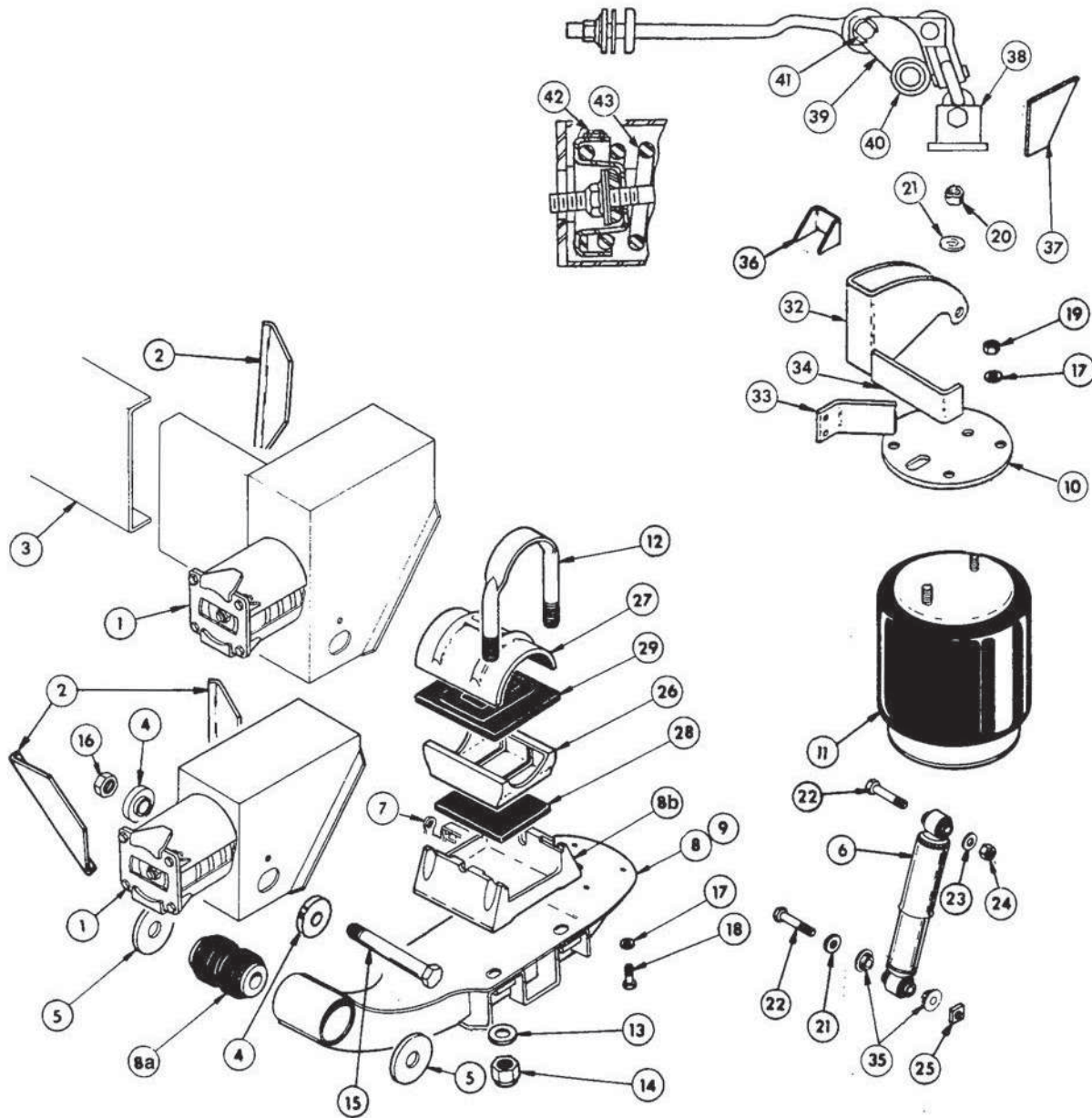
SERVICE REPAIR KITS

	481 00 112	SRK-68 - Axle Connection (5" Square, 20" Wheels)	1	AR-955	12-HD, 17-HD
	481 00 186	SRK-132 - Axle Connection (5" Round Heavy-Duty)	1	AR-955	9-HD, 14-HD
	481 00 202	SRK-145 - Pivot Connection	1	AR-955	All

AR-955A-9, -12, -14, -17 Exploded View



SAF-HOLLAND Group



**DISCONTINUED MODEL
SERVICE PARTS ONLY**
Please contact Customer Service for part availability
888.396.6501

ITEM	PART NO.	DESCRIPTION	QTY REQD	MODEL	RISE HEIGHT
1	905 19 985	Frame Bracket Assembly LH Adjustable	2	AR-955A	9, 12
	905 19 986	Frame Bracket Assembly RH Fixed (Includes Key #4)	1	AR-955A	14, 17
	905 19 987	Frame Bracket Assembly LH Adjustable	1	AR-955A	14, 17
2	900 23 866	Angle Brace	4	AR-955A	9, 12
	900 23 918	Angle Brace LH	1	AR-955A	14, 17
	900 23 919	Angle Brace RH	1	AR-955A	14, 17
3	410 23 327	Channel	1	AR-955A	14, 17
4	900 08 092	Adjusting Bushing	4	AR-955A	All
5	900 36 177	Spacer Washer	4	AR-955A	All



SAF-HOLLAND Group

AR-955A-9, -12, -14, -17 Parts List

ITEM	PART NO.	DESCRIPTION	QTY REQD	MODEL	RIDE HEIGHT
6	900 44 625	Shock Absorber	2	AR-955A	All
7	900 19 749	Lower Shock Bracket	2	AR-955A	All
8	905 16 096	Equalizing Beam Assembly LH (Includes Key #8a, 8b, 7, 38)	1	AR-955A	9, 14
	905 16 092	Equalizing Beam Assembly LH (Includes Key #8a, 8b, 7, 38)	1	AR-955A	12, 17
8a	900 08 139	Rubber Bushing	2	AR-955A	All
8b	900 01 008	Beam Seat	2	AR-955A	9, 14
	900 01 006	Beam Seat	2	AR-955A	12, 17
9	905 16 097	Equalizing Beam Assembly RH (Includes Key #8a, 8b, 7, 38)	1	AR-955A	9, 14
	905 16 093	Equalizing Beam Assembly RH (Includes Key #8a, 8b, 7, 38)	1	AR-955A	12, 17
10	900 33 785	Air Spring Mounting Plate	2	AR-955A	All
11	905 57 077	Air Spring Assembly	2	AR-955A	All
12	900 42 792	U-Bolt 1"-8 x 12-1/2" x 5" Round	4	AR-955A	9, 14
	900 41 878	U-Bolt 1"-8 x 9" x 5" Round	4	AR-955A	12, 17
	900 42 836	U-Bolt 1"-8 x 9-1/2" x 5" Square	4	AR-955A	12, 17
	900 42 846	U-Bolt 1"-8 x 12-1/2" x 5" Square	4	AR-955A	9, 14
13	939 00 027	Flat Washer 1"	8	AR-955A	All
14	934 00 502	Lock Nut 1"-8	8	AR-955A	All
15	932 01 055	Bolt 1-1/8"-7 x 9-1/4"	2	AR-955A	All
16	934 00 506	Lock Nut 1-1/8"-7	2	AR-955A	All
17	936 00 072	Lock Washer 1/2"	8	AR-955A	All
18	930 02 893	Bolt 1/2"-13 x 1"	6	AR-955A	All
19	934 00 136	Hex Nut 1/2"-13	2	AR-955A	All
20	934 00 149	Hex Nut 3/4"-16	2	AR-955A	All
21	936 00 077	Lock Washer 3/4"	4	AR-955A	All
22	930 03 597	Bolt 3/4"-10 x 3-1/2"	4	AR-955A	All
23	936 00 156	Washer, HT 3/4"	2	AR-955A	All
24	934 00 492	Lock Nut 3/4"-10	2	AR-955A	All
25	934 00 367	Square Nut 3/4"-10	2	AR-955A	All
26	900 01 082	Axle Adapter 5" Round	2	AR-955A	All
	900 01 083	Axle Adapter 5" Square	2	AR-955A	All
27	900 10 032	Axle Cap 5" Round	2	AR-955A	All
	900 10 047	Axle Cap 5" Square	2	AR-955A	All
28	900 28 083	Rubber Pad	2	AR-955A	All
29	900 28 047	Rubber Wrapper 5" Round	2	AR-955A	All
	900 28 073	Rubber Wrapper 5" Square	2	AR-955A	All
32	905 18 427	Upper Shock Bracket	2	AR-955A	All
33	905 18 527	Bracket	2	AR-955A	All
34	905 24 664	Support	2	AR-955A	All
35	900 08 004	Replacement Shock Bushing	8	AR-955A	All
36	900 23 876	Reinforcement Bracket	2	AR-955A	All
37	900 31 137	Gusset	2	AR-955A	14, 17
38	905 31 040	Beam Lift Bracket	2	AR-955A	All

FOR COIL SPRING LIFT REPLACEMENT PARTS, REFER TO SERVICE REPAIR KITS BELOW

39	481 00 215	SRK-158 - Cam Assembly	1	AR-955A	All
40	481 00 218	SRK-161 - Lower Cam Pin	1	AR-955A	All
41	481 00 219	SRK-162 - Upper Cam Pin	1	AR-955A	All
42	481 00 220	SRK-163 - Wear Band	1	AR-955A	All
43	481 00 230	SRK-173 - Coil Spring Repl. (With Installation Tool)	2	AR-955A	All
	481 00 250	SRK-173-1 - Coil Spring Repl. (Without Installation Tool)	2	AR-955A	All

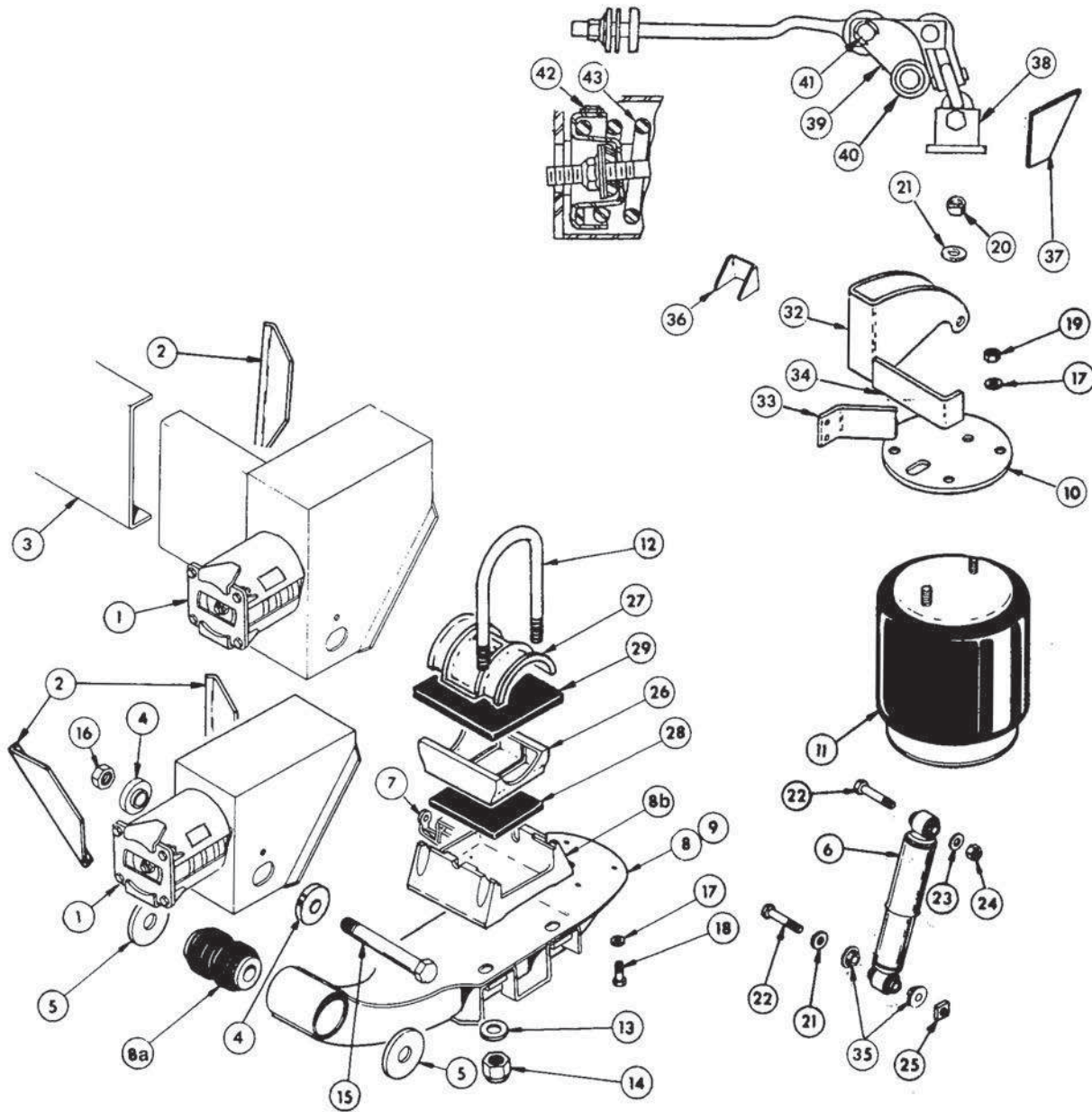
SERVICE REPAIR KITS

	481 00 108	SRK-64 - Axle Connection (5" Round)	1	AR-955A	12, 17
	481 00 181	SRK-128 - Axle Connection (5" Round)	1	AR-955A	9, 14
	481 00 202	SRK-145 - Pivot Connection	1	AR-955A	All

AR-955A-9-HD, -12-HD, -14-HD, -17-HD Exploded View



SAF-HOLLAND Group



**DISCONTINUED MODEL
SERVICE PARTS ONLY**
Please contact Customer Service for part availability
888.396.6501

ITEM	PART NO.	DESCRIPTION	QTY REQD	MODEL	RIDE HEIGHT
1	905 19 985	Frame Bracket Assembly LH Adjustable	2	AR-955A	9-HD, 12-HD
	905 19 986	Frame Bracket Assembly RH Fixed (Includes Key #4)	1	AR-955A	14-HD, 17-HD
	905 19 987	Frame Bracket Assembly LH Adjustable	1	AR-955A	14-HD, 17-HD
2	900 23 866	Angle Brace	4	AR-955A	9-HD, 12-HD
	900 23 918	Angle Brace LH	1	AR-955A	14-HD, 17-HD
	900 23 919	Angle Brace RH	1	AR-955A	14-HD, 17-HD
3	410 23 327	Channel	1	AR-955A	14-HD, 17-HD
4	900 08 092	Adjusting Bushing	4	AR-955A	All
5	900 36 177	Spacer Washer	4	AR-955A	All



SAF-HOLLAND Group

AR-955A-9-HD, -12-HD, -14-HD, -17-HD Parts List

ITEM	PART NO.	DESCRIPTION	QTY REQD	MODEL	RIDE HEIGHT
6	900 44 625	Shock Absorber	2	AR-955A	All
7	905 19 749	Lower Shock Bracket	2	AR-955A	All
8	905 16 106	Equalizing Beam Assembly LH (Includes Key #8a, 8b, 7, 38)	1	AR-955A	9-HD, 14-HD
	905 16 102	Equalizing Beam Assembly LH (Includes Key #8a, 8b, 7, 38)	1	AR-955A	12-HD, 17-HD
8a	900 08 139	Rubber Bushing	2	AR-955A	All
8b	900 01 181	Beam Seat	2	AR-955A	9-HD, 14-HD
	900 01 131	Beam Seat	2	AR-955A	12-HD, 17-HD
9	905 16 107	Equalizing Beam Assembly RH (Includes Key #8a, 8b, 7, 38)	1	AR-955A	9-HD, 14-HD
	905 16 103	Equalizing Beam Assembly RH (Includes Key #8a, 8b, 7, 38)	1	AR-955A	12-HD, 17-HD
10	900 33 785	Air Spring Mounting Plate	2	AR-955A	All
11	905 57 077	Air Spring Assembly	2	AR-955A	All
12	900 41 394	U-Bolt 1"-8 x 12" x 5" Round	4	AR-955A	9-HD, 14-HD
	900 41 384	U-Bolt 1"-8 x 9-1/2" x 5" Round	4	AR-955A	12-HD, 17-HD
	900 42 836	U-Bolt 1"-8 x 9-1/2" x 5" Square	4	AR-955A	12-HD, 17-HD
	900 42 846	U-Bolt 1"-8 x 12-1/2" x 5" Square	4	AR-955A	9-HD, 14-HD
13	939 00 027	Flat Washer 1"	8	AR-955A	All
14	934 00 502	Lock Nut 1"-8	8	AR-955A	All
15	932 01 055	Bolt 1-1/8"-7 x 9-1/4"	2	AR-955A	All
16	934 00 506	Lock Nut 1-1/8"-7	2	AR-955A	All
17	936 00 072	Lock Washer 1/2"	8	AR-955A	All
18	930 02 905	Bolt 1/2"-13 x 1-1/2"	6	AR-955A	All
19	934 00 136	Hex Nut 1/2"-13	2	AR-955A	All
20	934 00 149	Hex Nut 3/4"-16	2	AR-955A	All
21	936 00 077	Lock Washer 3/4"	4	AR-955A	All
22	930 03 597	Bolt 3/4"-10 x 3-1/2"	4	AR-955A	All
23	936 00 156	Washer, HT 3/4"	2	AR-955A	All
24	934 00 492	Lock Nut 3/4"-10	2	AR-955A	All
25	934 00 367	Square Nut 3/4"-10	2	AR-955A	All
26	900 01 132	Axle Adapter 5" Round	2	AR-955A	All
	900 01 133	Axle Adapter 5" Square	2	AR-955A	All
27	900 10 002	Axle Cap 5" Round	2	AR-955A	All
	900 10 047	Axle Cap 5" Square	2	AR-955A	All
28	900 28 083	Rubber Pad	2	AR-955A	All
29	900 28 007	Rubber Wrapper 5" Round	2	AR-955A	All
	900 28 073	Rubber Wrapper 5" Square	2	AR-955A	All
32	905 18 427	Upper Shock Bracket	1	AR-955A	All
33	900 18 527	Bracket	1	AR-955A	All
34	900 24 664	Support	1	AR-955A	All
35	905 08 004	Replacement Shock Bushing	8	AR-955A	All
36	900 23 876	Reinforcement Bracket	2	AR-955A	All
37	900 32 137	Gusset	2	AR-955A	14-HD, 17-HD
38	905 31 040	Beam Lift Bracket	2	AT-955A	All

FOR COIL SPRING LIFT REPLACEMENT PARTS, REFER TO SERVICE REPAIR KITS BELOW

39	481 00 215	SRK-158 - Cam Assembly	1	AR-955A	All
40	481 00 218	SRK-161 - Lower Cam Pin	1	AR-955A	All
41	481 00 219	SRK-162 - Upper Cam Pin	1	AR-955A	All
42	481 00 220	SRK-163 - Wear Band	1	AR-955A	All
43	481 00 230	SRK-173 - Coil Spring Repl. (With Installation Tool)	2	AR-955A	All
	481 00 250	SRK-173-1 - Coil Spring Repl. (Without Installation Tool)	2	AR-955A	All

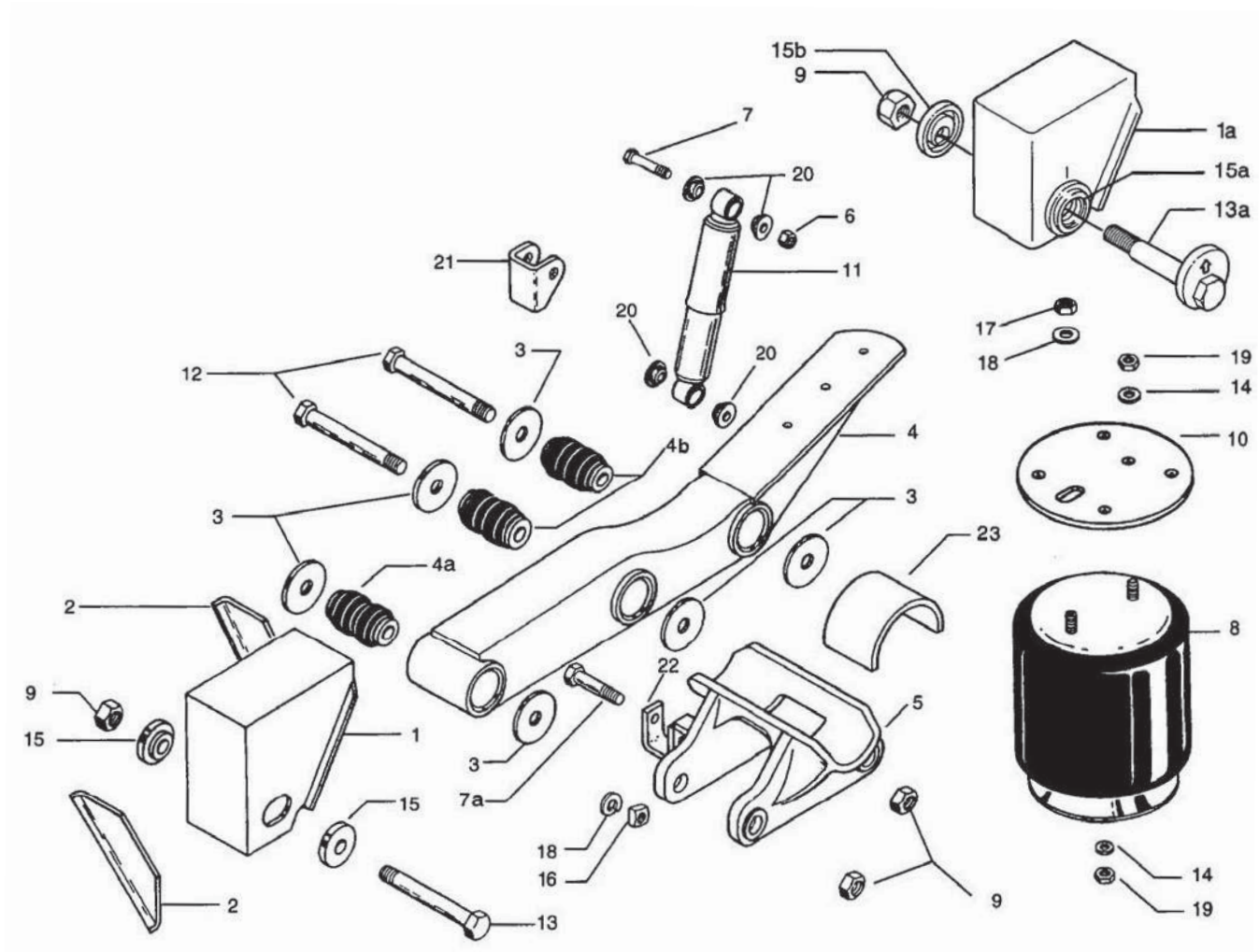
SERVICE REPAIR KITS

	481 00 186	SRK-132 - Axle Connection (5" Round Heavy-Duty)	1	AR-955A	9-HD, 14-HD
	481 00 202	SRK-145 - Pivot Connection	1	AR-955A	All

ARU-92-8, -9, -10, -12 Exploded View



SAF-HOLLAND Group



DISCONTINUED MODEL SERVICE PARTS ONLY

Please contact Customer Service for part availability
888.396.6501



SAF-HOLLAND Group

ARU-92-8, -9, -10, -12 Parts List

ITEM	PART NO.	DESCRIPTION	QTY REQD	RIDE HEIGHT
1	905 20 346	Standard Frame Bracket (Adjustable)	2*	8
	905 19 710	Standard Frame Bracket (Adjustable)	2*	9
	905 20 831	Standard Frame Bracket (Adjustable)	2*	10
	905 19 712	Standard Frame Bracket (Adjustable)	2*	12
1a	905 20 638	Non-Weld (EZ-ALIGN) Frame Bracket LH (Includes 15a)	1	8
	905 20 636	Non-Weld (EZ-ALIGN) Frame Bracket LH (Includes 15a)	1	9
	905 20 637	Non-Weld (EZ-ALIGN) Frame Bracket LH (Includes 15a)	1	10
	905 20 642	Non-Weld (EZ-ALIGN) Frame Bracket LH (Includes 15a)	1	12
2	900 23 002	Angle Brace	4	8,9
	900 23 001	Angle Brace	4	10,12
3	900 36 177	Spacer Washer	12	All
4	905 16 552	Equalizing Beam LH (Includes Item #4a, 4b)	1	All
	905 16 553	Equalizing Beam RH (Includes Item #4a, 4b)	1	All
4a	900 08 139	Rubber Bushing (Front Pivot)	2	All
4b	900 08 149	Rubber Bushing (Axle Connection)	4	All
5	905 01 263	Axle Adapter LH	1	All
	905 01 264	Axle Adapter RH	1	All
6	934 00 492	Lock Nut 3/4-10	2	All
7	930 03 597	Cap Screw 3/4 - 10 x 3 1/2" Gr5 (upper shock bracket)	2	All
7a	930 03 609	Cap Screw 3/4 - 10 x 4" Gr5 (lower shock bracket)	2	All
8	905 57 117	Air Spring Assembly	2	8
	905 57 112	Air Spring Assembly	2	9,10
	905 57 126	Air Spring Assembly	2	12
9	934 00 506	Lock Nut 1 1/8 - 7	6	All
10	900 33 785	Air Spring Mounting Plate	2	All
11	900 44 642	Shock Absorber	2	All
12	932 01 051	Cap Screw 1 1/8 - 7 x 8 1/2" Gr8	4	All
13	932 01 055	Cap Screw 1 1/8 - 7 x 9 1/4" Gr8	2*	All
13a	905 08 009	Cap Screw 1 1/8 - 7 x 9 1/4" (Non-Weld Application)	1	All
14	936 00 072	Lock Washer 1/2"	4	All
15	900 08 147	Alignment Bushing	4*	All
15a	900 08 185	Alignment Bushing (Non-Weld Application)	2	All
15b	900 08 186	Alignment Bushing (Non-Weld Application)	1	All
16	934 00 367	Square Nut 3/4 - 10	2	All
17	934 00 149	Hex Nut 3/4 - 16	2	All
18	936 00 077	Lock Washer 3/4"	4	All
19	934 00 136	Hex Nut 1/2 - 13	4	All
20	905 08 004	Replacement Shock Bushing	8	All
21	905 19 040	Upper Shock Bracket	2	All
22	905 19 773	Lower Shock Bracket	2	All
23	900 25 288	Safety Strap	2	All

SERVICE REPAIR KITS

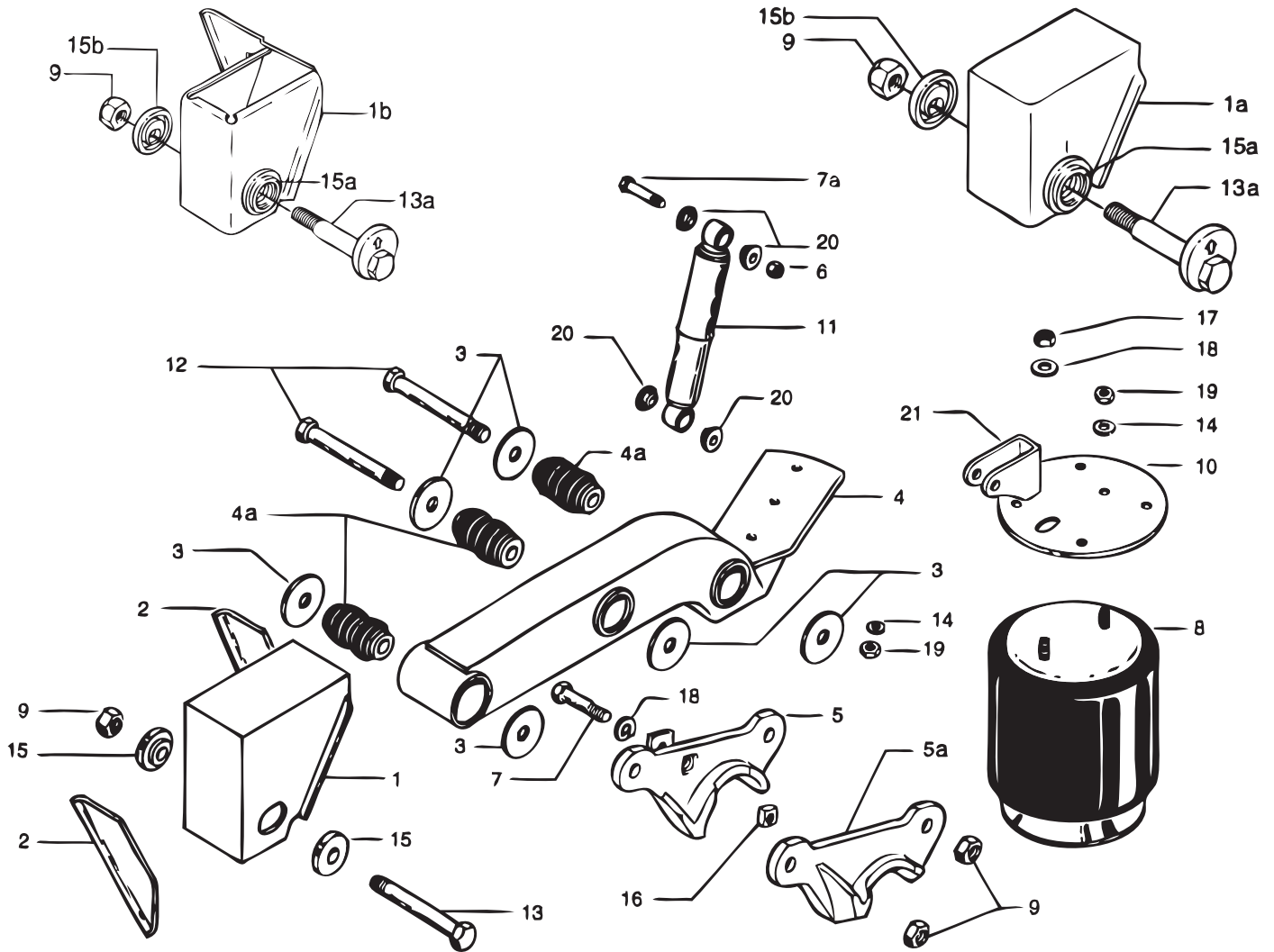
481 00 202	SRK-145 - Pivot Connection	1	All
481 00 206	SRK-149 - Axle Connection (5" Round, 20" Wheel)	1	All
481 00 294	SRK-232 - Pivot Connection, Non-Weld (EZ-ALIGN)	1	All

* For Non-Weld (EZ-ALIGN) application reduce quantity used per axle by half

RL-196-12, -14, -15, -16, -17 Exploded View



SAF-HOLLAND Group



**DISCONTINUED MODEL
SERVICE PARTS ONLY**
Please contact Customer Service for part availability
888.396.6501

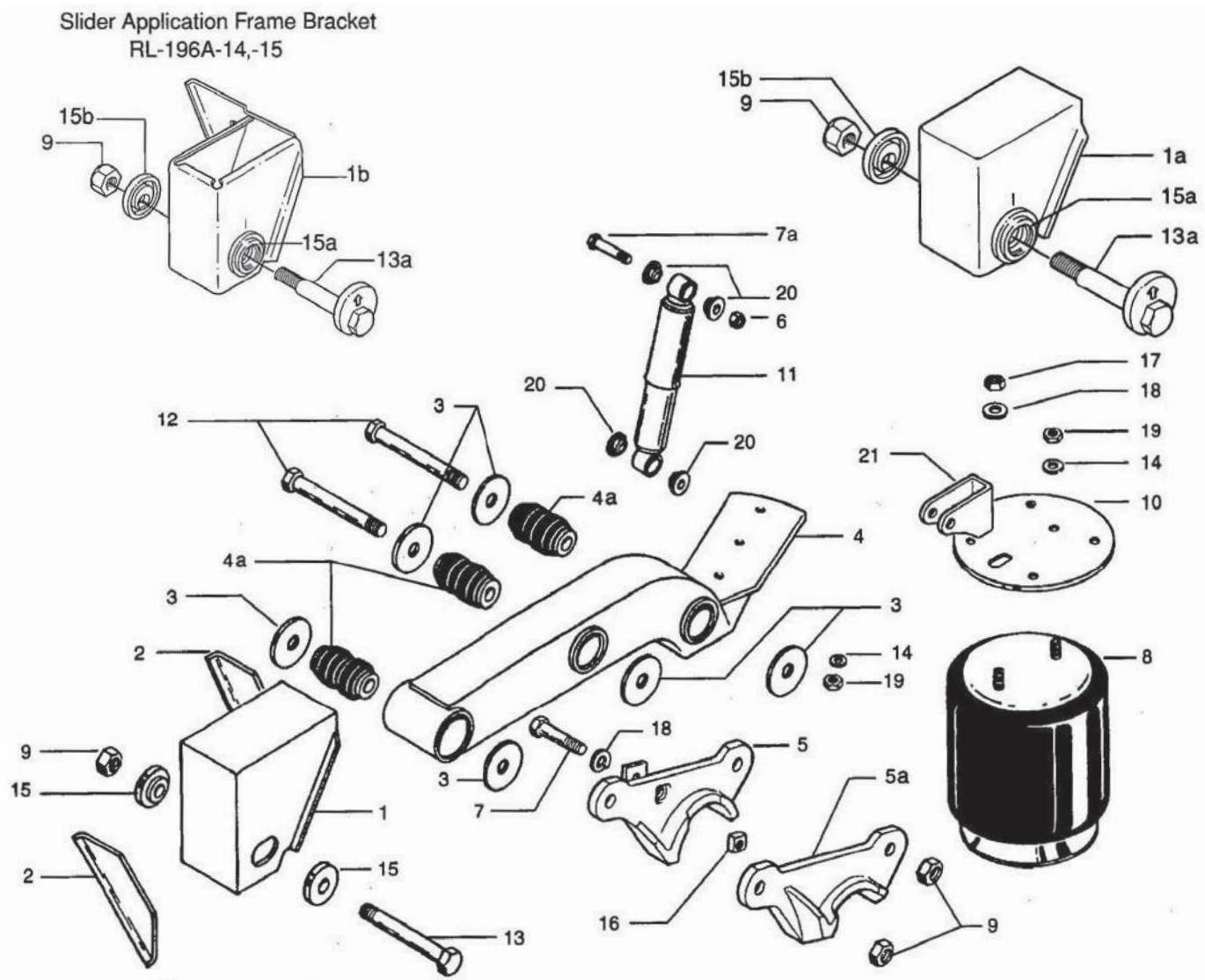


SAF-HOLLAND Group

RL-196-12, -14, -15, -16, -17 Parts List

ITEM	PART NO.	DESCRIPTION	QTY REQD	RIDE HEIGHT
1	905 20 367	Adjustable Frame Bracket	2	12
	905 20 363	Adjustable Frame Bracket	2	14
	905 20 338	Adjustable Frame Bracket	2	15
	905 20 340	Adjustable Frame Bracket	2	16,17
2	900 23 002	Angle Brace	4	12,14,15
	900 23 001	Angle Brace	4	16,17
3	900 36 177	Spacer Washer	12	All
4	905 16 542	Equalizing Beam LH (Includes Item #4a)	1	All
	905 16 543	Equalizing Beam RH (Includes Item #4a)	1	All
4a	900 08 149	Rubber Bushing	6	All
5	481 00 291	Axle Adapter LH	1	All
	481 00 292	Axle Adapter RH	1	All
6	934 00 492	Lock Nut 3/4-10	2	All
7	930 03 597	Cap Screw 3/4-10 x 3 1/2"	2	All
8	905 57 127	Air Spring Assembly	2	12
	905 57 120	Air Spring Assembly	2	14
	905 57 121	Air Spring Assembly	2	15,16
	905 57 139	Air Spring Assembly	2	17
9	934 00 506	Lock Nut 1 1/8 - 7	6	All
10	900 33 785	Air Spring Mounting Plate	2	All
11	900 44 977	Shock Absorber (Includes Lower Shock Bushing)	2	12
	900 44 978	Shock Absorber (Includes Lower Shock Bushing)	2	14,15
	900 44 979	Shock Absorber (Includes Lower Shock Bushing)	2	16,17
12	932 01 051	Cap Screw 1 1/8 - 7 x 8 1/2"	4	All
13	932 01 055	Cap Screw 1 1/8 - 7 x 9 1/4"	2	All
14	936 00 072	Lock Washer 1/2"	4	All
15	900 08 147	Alignment Bushing	4	All
16	900 18 445	Upper Shock Bracket	2	All
17	934 00 149	Hex Nut 3/4 - 16	2	All
18	936 00 077	Lock Washer 3/4"	2	All
19	934 00 136	Hex Nut 1/2 - 13	4	All
20	905 08 004	Replacement Shock Bushing	4	All
21	936 00 168	Flat Washer 1"	2	All
22	934 00 500	Lock Nut 1 - 8	2	All
SERVICE REPAIR KITS				
	481 00 206	SRK-149 - Axle Connection (5" Round, 20" Wheel)	1	All
	481 00 264	SRK-203 - Pivot Connection	1	All

RL-196A-12, -14, -15, -16, -17 Exploded View



**DISCONTINUED MODEL
SERVICE PARTS ONLY**
Please contact Customer Service for part availability
888.396.6501



SAF-HOLLAND Group

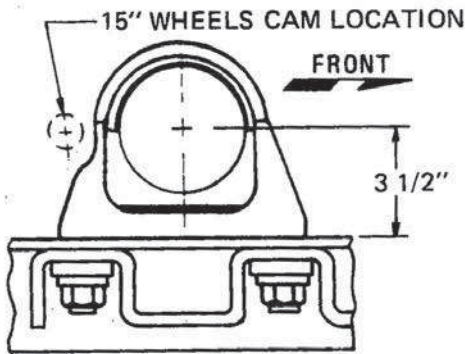
RL-196A-12, -14, -15, -16, -17 Parts List

ITEM	PART NO.	DESCRIPTION	QTY REQD	RIDE HEIGHT
1	905 20 846	Adjustable Frame Bracket	2*	12
	905 20 568	Adjustable Frame Bracket	2*	14
	905 20 561	Adjustable Frame Bracket	2*	15
	905 20 843	Adjustable Frame Bracket	2*	16,17
1a	905 20 859	Non-Weld (EZ-ALIGN) Frame Bracket LH (Includes 15a)	1	12
	905 20 858	Non-Weld (EZ-ALIGN) Frame Bracket LH (Includes 15a)	1	14
	905 20 856	Non-Weld (EZ-ALIGN) Frame Bracket LH (Includes 15a)	1	15
	905 20 857	Non-Weld (EZ-ALIGN) Frame Bracket LH (Includes 15a)	1	16,17
1b**	905 20 468	Adjustable Frame Bracket RH	1	14 (Slider)
	905 20 465	Non-Weld (EZ-ALIGN) Frame Bracket LH (Includes 15a)	1	14 (Slider)
	905 20 464	Adjustable Frame Bracket RH	1	15 (Slider)
	905 20 473	Non-Weld (EZ-ALIGN) Frame Bracket LH (Includes 15a)	1	15 (Slider)
2	900 25 257	Angle Brace	4	12
	900 23 002	Angle Brace	4	14,15
	900 23 001	Angle Brace	4	16,17
3	900 36 177	Spacer Washer	12	All
4	905 16 542	Equalizing Beam LH (Includes Item #4a)	1	All
	905 16 543	Equalizing Beam RH (Includes Item #4a)	1	All
4a	900 08 149	Rubber Bushing	6	All
5	905 01 261	Axle Adapter LH (inside)	1	All
	905 01 262	Axle Adapter RH (inside)	1	All
5a	900 01 215	Axle Adapter LH (outside)	1	All
	900 01 216	Axle Adapter RH (outside)	1	All
6	934 00 492	Lock Nut 3/4-10	2	All
7	930 03 609	Cap Screw 3/4 - 10 x 4" Gr5 (lower shock bracket)	2	All
7a	930 03 597	Cap Screw 3/4 - 10 x 3 1/2" Gr5 (upper shock bracket)	2	All
8	905 57 173	Air Spring Assembly	2	12
	905 57 120	Air Spring Assembly	2	14
	905 57 121	Air Spring Assembly	2	15,16
	905 57 139	Air Spring Assembly	2	17
9	934 00 506	Lock Nut 1 1/8 - 7	6	All
10	900 33 785	Air Spring Mounting Plate	2	All
11	900 44 162	Shock Absorber	2	12
	900 45 040	Shock Absorber	2	14,15
	900 44 794	Shock Absorber	2	16,17
12	932 01 051	Cap Screw 1 1/8 - 7 x 8 1/2" Gr8	4	All
13	932 01 055	Cap Screw 1 1/8 - 7 x 9 1/4" Gr8	2*	All
13a	905 08 009	Cap Screw 1 1/8 - 7 x 9 1/4" (Non-Weld Application)	1	All
14	936 00 072	Lock Washer 1/2"	4	All
15	900 08 147	Alignment Bushing	4*	All
15a	900 08 185	Alignment Bushing (Non-Weld Application)	2	All
15b	900 08 186	Alignment Bushing (Non-Weld Application)	1	All
16	934 00 367	Square Nut 3/4 - 10	2	All
17	934 00 149	Hex Nut 3/4 - 16	2	All
18	936 00 077	Lock Washer 3/4"	4	All
19	934 00 136	Hex Nut 1/2 - 13	4	All
20	905 08 004	Replacement Shock Bushing	8	All
21	900 18 445	Upper Shock Bracket	2	All
SERVICE REPAIR KITS				
	481 00 206	SRK-149 - Axle Connection (5" Round, 20" Wheel)	1	All
	481 00 264	SRK-203 - Pivot Connection	1	All
	481 00 295	SRK-233 - Pivot Connection, Non-Weld	1	All

* For Non-Weld (EZ-ALIGN) application reduce quantity used per axle by half

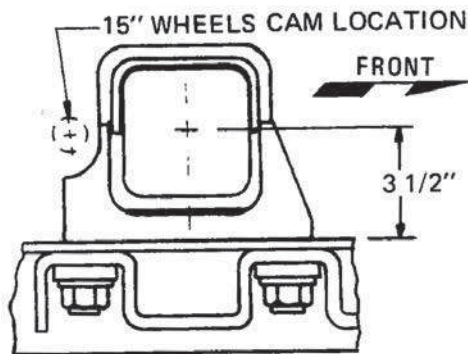
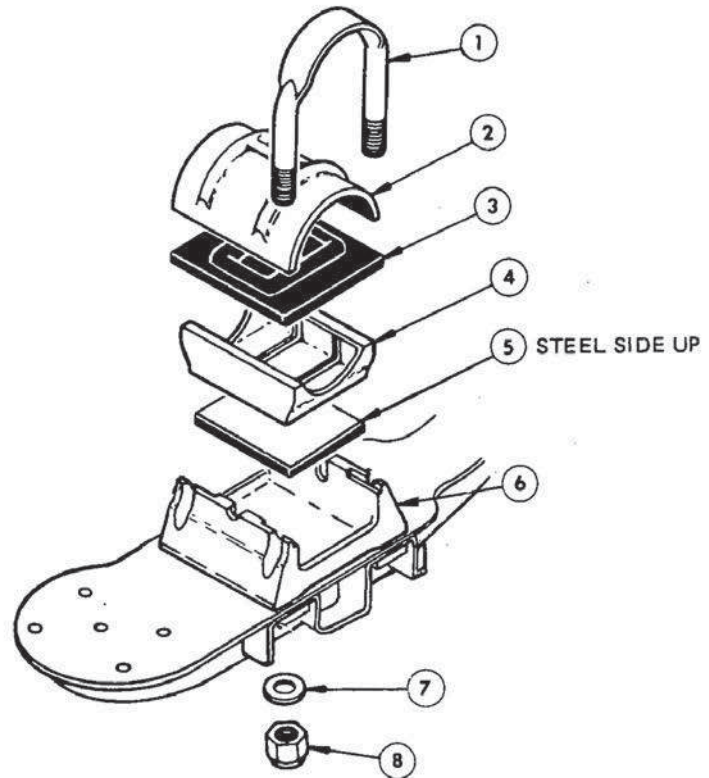
** For 16" and 17" ride height applications, use the standard Frame Brackets listed (Adjustable and/or Non-Weld alignments).

15" Wheel Connection – 5" Round & 5" Square



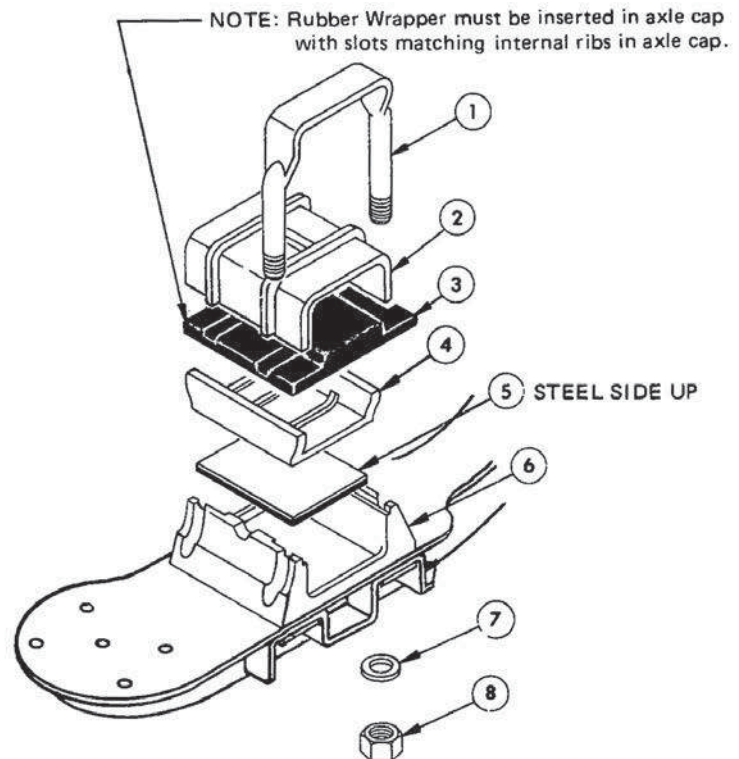
5" ROUND AXLE CONNECTION

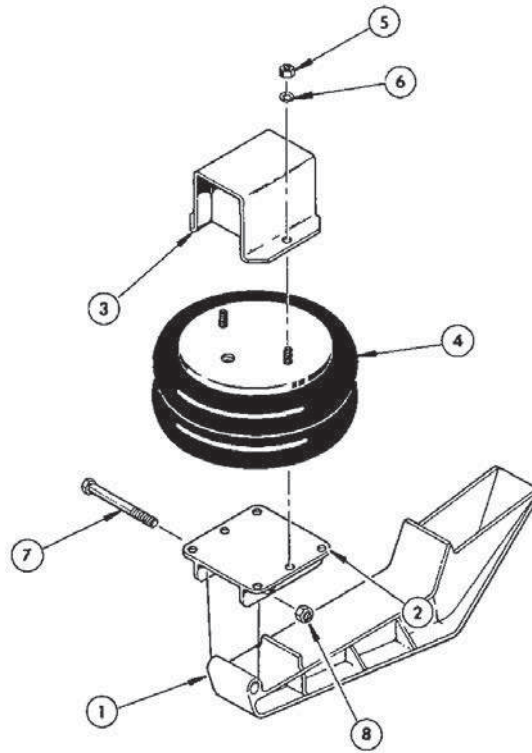
ITEM	PART NO.	DESCRIPTION
1	900 42 408	U-Bolt
2	905 10 093	Axle Cap
3	900 28 047	Rubber Wrapper
4	900 01 082	Axle Adapter
5	900 28 083	Steel/Rubber Pad
6	900 01 078	Beam Seat
7	939 00 027	Washer
8	934 00 502	Lock Nut



5" SQUARE AXLE CONNECTION

ITEM	PART NO.	DESCRIPTION
1	900 42 408	U-Bolt
2	900 10 026	Axle Cap
3	900 28 047	Rubber Wrapper
4	900 01 082	Axle Adapter
5	900 28 083	Steel/Rubber Pad
6	900 01 086	Beam Seat
7	939 00 027	Washer
8	934 00 502	Lock Nut



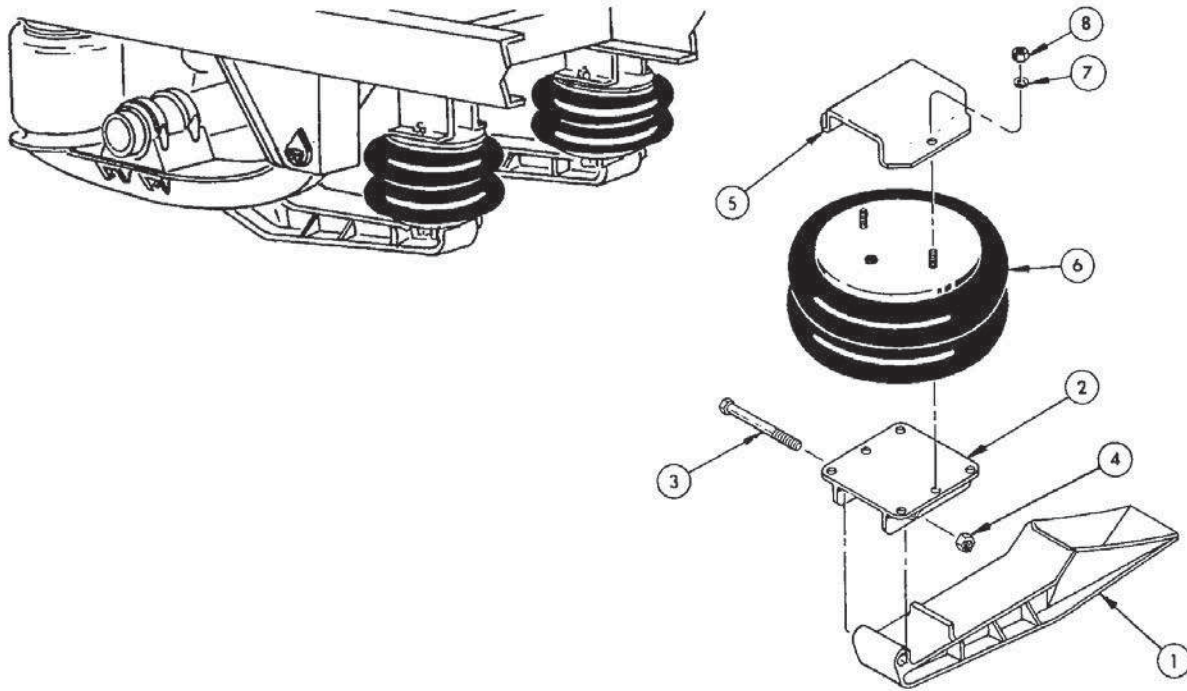


ITEM	PART NO.	DESCRIPTION	QTY REQD	RIDE HEIGHT
1	905 44 204	Lifting Beam	2	All
2	900 01 012	Air Spring Mounting Bracket	2	All
3	905 18 036	Frame Mounting Bracket	2	14
	905 19 730	Frame Mounting Bracket	2	17
4	905 57 014	Air Spring Assembly	2	All
5	934 00 136	Hex Nut 1/2 - 13 GrB	8	All
6	936 00 072	Lock Washer 1/2	8	All
7	930 03 657	Cap Screw 3/4 - 10 x 6 Gr5	2	All
8	934 00 492	Lock Nut 3/4 - 10 GrB	2	All

AL-45-9, -12, -14, -17 Air Suspension Lift Kit For Underslung Suspensions



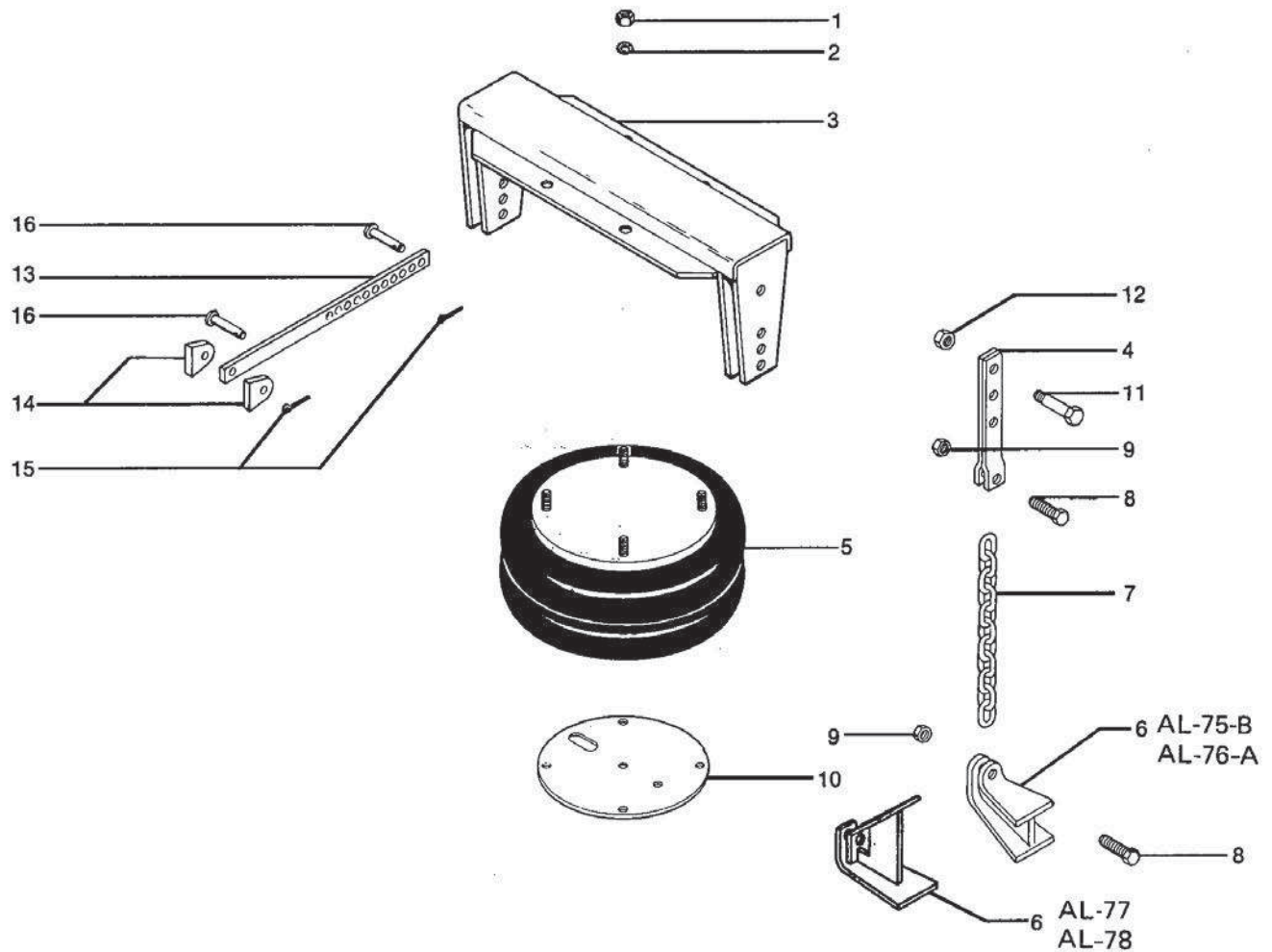
SAF-HOLLAND Group



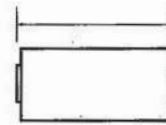
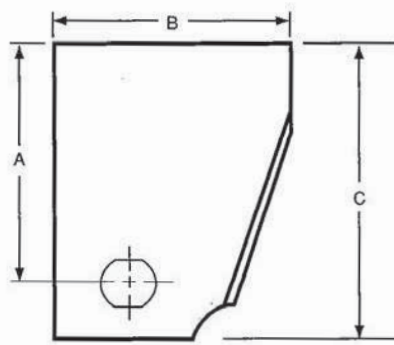
ITEM	PART NO.	DESCRIPTION	QTY REQD	RIDE HEIGHT
1	900 44 203	Lifting Beam	2	All
2	900 01 012	Air Spring Mounting Bracket	2	All
3	930 03 657	Cap Screw 3/4" - 10 x 6 Gr5	2	All
4	934 00 492	Lock Nut 3/4 - 10 GrB	2	All
5	905 18 038	Frame Mounting Bracket	2	9
	905 18 367	Frame Mounting Bracket	2	12
	905 18 748	Frame Mounting Bracket	2	14
	905 18 747	Frame Mounting Bracket	2	17
6	905 57 014	Air Spring Assembly	2	All
7	936 00 072	Lock Washer 1/2	8	All
8	934 00 136	Hex Nut 1/2 - 13 GrB	8	All

DISCONTINUED MODEL SERVICE PARTS ONLY

Please contact Customer Service for part availability
888.396.6501



ITEM	PART NO.	DESCRIPTION	QTY REQD	MODEL
1	934 00 136	Hex Nut 1/2" - 13	8	All
2	936 00 072	Lock Washer 1/2"	8	All
3	905 01 083	Air Spring Yoke Lift Assembly	1	AL-75-B, AL-77
	905 01 084	Air Spring Yoke Lift Assembly	1	AL-76-A, AL-78
4	900 18 218	Yoke Half	4	All
5	905 57 001	Air Spring	1	All
6	905 18 201	Bracket Assembly	2	AL-75-B, AL-76-A
	905 19 808	Bracket Assembly	2	AL-77, AL-78
7	900 44 111	Chain H.T.	2	AL-75-B, AL-77, AL-78
	900 44 109	Chain H.T.	2	AL-76-A
8	930 00 031	Cap Screw 1/2" - 13 x 1 3/4"	4	All
9	934 00 541	Lock Nut 1/2" - 13	4	All
10	900 31 027	Air Spring Mounting Plate	1	All
11	939 00 039	Cap Screw 5/8" - 11 x 2"	2	All
12	934 00 490	Lock Nut 5/8" - 11	2	All
13	900 06 283	Control Link	2	All
14	900 31 007	Stabilizer End Bracket	4	All
15	938 00 001	Cotter Pin 1/8" x 1"	4	All
16	900 44 164	Yoke Pin	4	All



EQUALIZING BEAM – PIVOT END

PIVOT BUSHING WIDTH

**5.00" – RL Series
5.25" – AR/ARU Series**

TRAILER AIR MODEL	ALIGNMENT	A DIMENSION	B DIMENSION	C DIMENSION	FRAME BRACKET PART NUMBER
AR-250-12	Adjustable	5.25	8.50	7.50	905 20 383
AR-250-14, 15	Adjustable	8.25	10.00	10.50	905 19 710
AR-250-16, 17	Adjustable	10.59 - 10.75	10.00	12.84 - 13.00	905 20 828
AR-41-C	Adjustable	10.59	10.00	12.84	905 20 834
AR-41-C	Adjustable	10.00	10.00	12.25	905 19 718**
AR-45	Adjustable	4.75	8.00	7.00	905 20 153
AR-45-1	Adjustable	8.25	10.00	10.50	905 19 714
AR-70A-13, 14	Adjustable	13.50	12.00	15.75	905 19 700
AR-70A-9	Adjustable	8.25	12.00	10.50	905 19 692
AR-75A-10	Adjustable	Contact NAI Service Engineering			
AR-75A-12	Adjustable	11.25	10.00	13.50	905 19 716
AR-75A-6, 9	Adjustable	8.25	10.00	10.50	905 19 714
AR-80-6	Adjustable	6.75	9.75	9.00	905 20 351
AR-80-9	Adjustable	8.25	10.00	10.50	905 19 714
AR-85-A	Adjustable	8.25	10.00	10.50	905 19 714
AR-90-1-12	Adjustable	6.00	9.56	8.25	905 20 219
AR-90/90-1-14, 15	Adjustable	8.25	10.00	10.50	905 19 710
AR-90/90-1-16	Adjustable	10.59 - 10.75	10.00	12.84 - 13.00	905 20 828
AR-90/90-1-17	Adjustable	11.25	10.00	13.50	905 19 712
AR-92-12	Adjustable	5.25	8.50	7.50	905 20 383
AR-92-14	Adjustable	7.25	10.00	9.50	905 20 346
AR-92-15	Adjustable	8.25	10.00	10.50	905 19 710
AR-92-16, 17	Adjustable	10.59 - 10.75	10.00	12.84 - 13.00	905 20 828
AR-92-18	Adjustable	12.50	10.00	14.75	905 20 385
AR-93-14	Adjustable	7.25	10.00	9.50	905 20 346
AR-93-15	Adjustable	8.25	10.00	10.50	905 19 710
AR-93-16, 17	Adjustable	10.59 - 10.75	10.00	12.84 - 13.00	905 20 828
AR-955A-14-HD, 17-HD	LH Adjustable	16.50	15.50	18.75	905 19 987
AR-955A-14-HD, 17-HD	RH Fixed	16.50	15.50	18.75	905 19 986
AR-955A-14, 17	LH Adjustable	16.50	15.50	18.75	905 19 987
AR-955A-9-HD, 12-HD	RH Fixed	11.50	15.00	13.75	905 19 984
AR-955A-9-HD, 12-HD	LH Adjustable	11.50	15.00	13.75	905 19 985
AR-955A-9, 12	RH Fixed	11.50	15.00	13.75	905 19 984
AR-955A-9, 12	LH Adjustable	11.50	15.00	13.75	905 19 985
AR-95A-14-HD	Adjustable	16.50	15.50	18.75	905 19 377
AR-95A-14, 17	Adjustable	16.50	12/00	18/75	905 19 704
AR-95A-15-HD, 16-HD	Adjustable	Contact NAI Service Engineering			
AR-95A-17-HD	Adjustable	16.50	15.50	18.75	905 19 377
AR-95A-9-HD, 12-HD	Adjustable	11.50	15.00	13.75	905 18 714
AR-95A-9, 12	Adjustable	11/25	10.00	13.50	905 19 696
ARU-92-7	Adjustable	Contact NAI Service Engineering			
ARU-92-8	Adjustable	7.25	10.00	9.50	905 20 346
ARU-92-9	Adjustable	8.25	10.00	10.50	905 19 710
ARU-92-10	Adjustable	10.25	10.00	12.50	905 20 395**
ARU-92-10	Adjustable	10.59	10.00	12.84	905 20 828
ARU-92-12	Adjustable	11.25	10.00	13.50	905 19 712

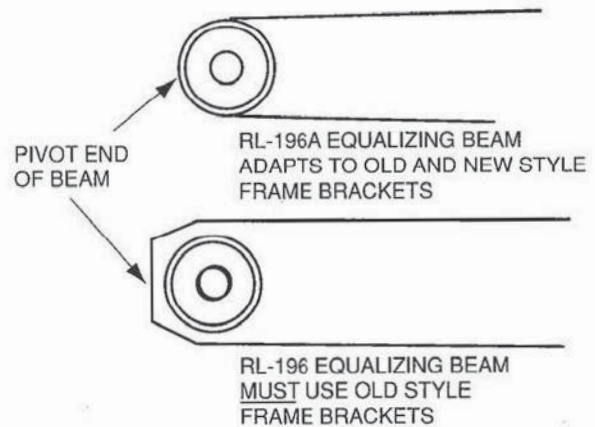
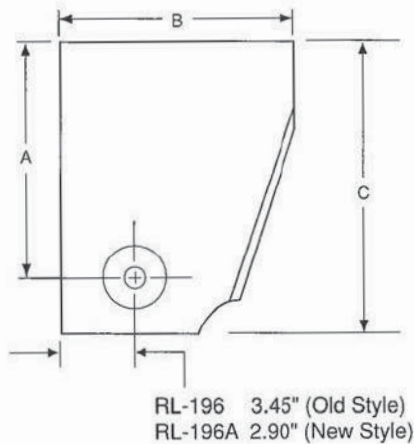
* For suspensions manufactured prior to January 1, 1996.

** For suspensions manufactured prior to February 1, 1996.

continued on next page

TRAILER AIR MODEL	ALIGNMENT	A DIMENSION	B DIMENSION	C DIMENSION	FRAME BRACKET PART NUMBER
<i>Continued from previous page</i>					
ARU-93-6	Adjustable	6.00	9.56	8.25	905 20 219
ARU-93-7	Adjustable	7.25	10.00	9.50	905 20 346
ARU-93-8, 9	Adjustable	8.25	10.00	10.50	905 19 710
ARU-93-10	Adjustable	10.59	10.00	12.84	905 20 828
ARU-93-10	Adjustable	10.25	10.00	12.50	905 20 395**
ARU-93-14	Adjustable	12.50	10.00	14.75	905 20 385
RL-228-12	Adjustable	5.25	8.50	7.50	905 20 846
RL-288-12	Non-Weld	5.10	8.50	7.35	905 20 859
RL-228-14	Adjustable	7.25	10.00	9.50	905 20 568
RL-228-14	Non-Weld	7.10	10.00	9.35	905 20 858
RL-228-15	Adjustable	8.25	10.00	10.50	905 20 561
RL-228-15	Non-Weld	8.10	10.00	10.35	905 20 856
RL-228-16, 17	Non-Weld	10.06	10.00	12.31	904 20 439*
RL-228-16, 17	Adjustable	10.25	10.00	12.50	905 20 340*
RL-228-16, 17	Adjustable	10.59	10.00	12.84	905 20 843
RL-228-16, 17	Non-Weld	10.40	10.00	12.65	905 20 857

* For suspensions manufactured prior to January 1, 1996.
 ** For suspensions manufactured prior to February 1, 1996.

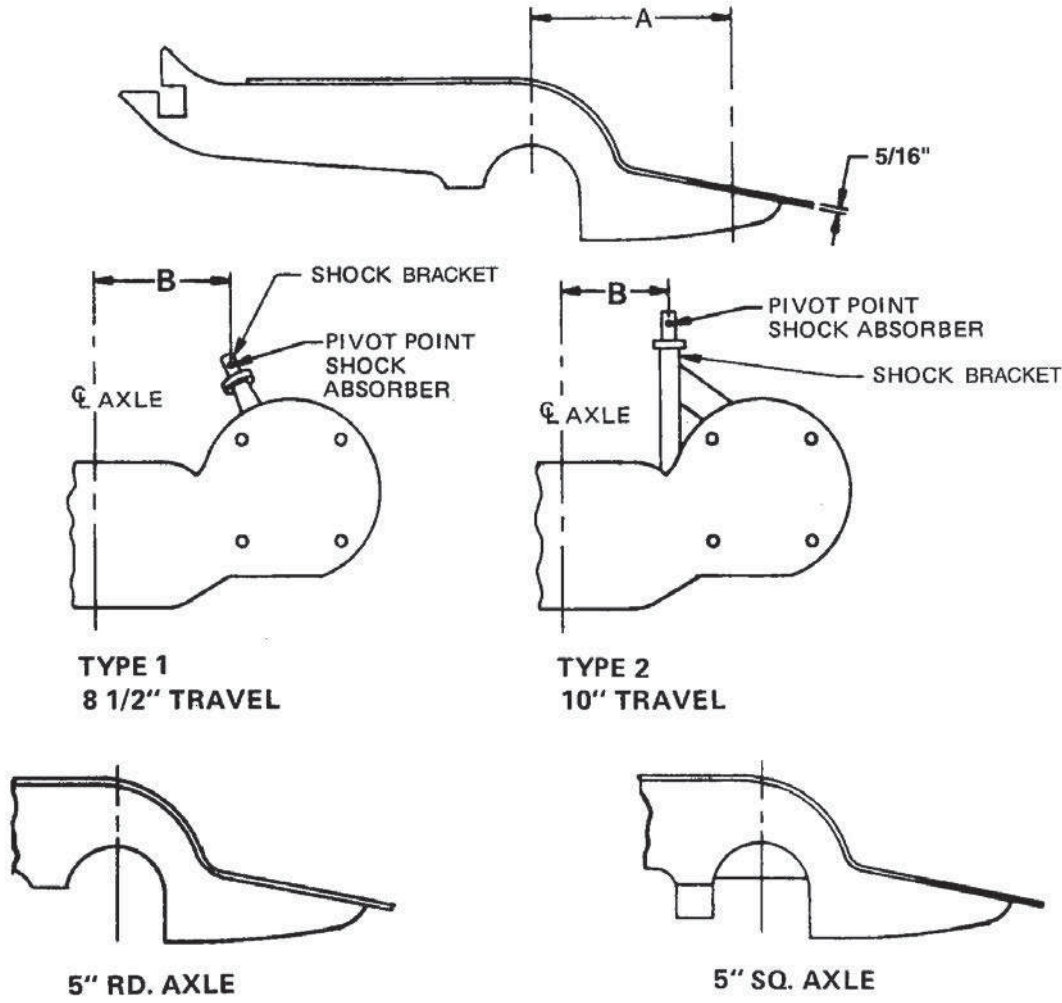


TRAILER AIR MODEL	ALIGNMENT	A DIMENSION	B DIMENSION	C DIMENSION	FRAME BRACKET PART NUMBER
RL-196-12	Non-Weld	5.10	8.50	7.35	905 20 441
RL-196-12	Adjustable	5.25	8.50	7.50	905 20 367
RL-196-14	Non-Weld	7.10	10.00	9.35	905 20 440
RL-196-14	Adjustable	7.25	10.00	9.50	905 20 363
RL-196-15	Adjustable	8.44	10.00	10.69	905 20 338
RL-196-15	Non-Weld	8.29	10.00	10.54	905 20 438
RL-196-16, 17	Adjustable	10.44	10.00	12.69	905 20 340
RL-196-16, 17	Non-Weld	10.29	10.00	12.54	905 20 439
RL-196A-12	Adjustable	5.25	8.50	7.50	905 20 846
RL-196A-12	Non-Weld	5.10	8.50	7.35	905 20 859
RL-196A-14	Adjustable	7.25	10.00	9.50	905 20 568
RL-196A-14	Non-Wld	7.10	10.00	9.35	905 20 858
RL-196A-15	Non-Weld	8.10 - 8.29	10.00	10.35 - 10.54	905 20 856
RL-196A-15	Adjustable	8.25 - 8.44	10.00	10.50 - 10.69	905 20 561
RL-196A-16, 17	Non-Weld	10.25 - 10.44	10.00	12.50 - 12.69	905 20 857
RL-196A-16, 17	Adjustable	10.44 - 10.59	10.00	12.69 - 12.84	905 20 843

AR-120, AR-120-L, AR-125 & AR-125-L Series Equalizing Beam Identification

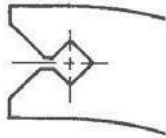


SAF-HOLLAND Group

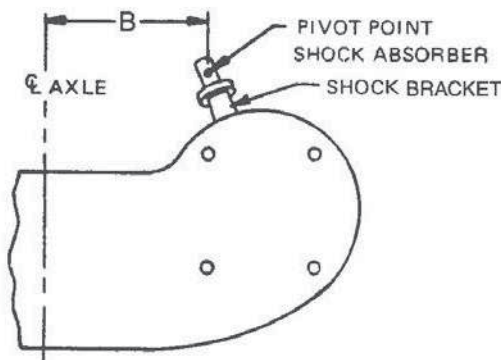
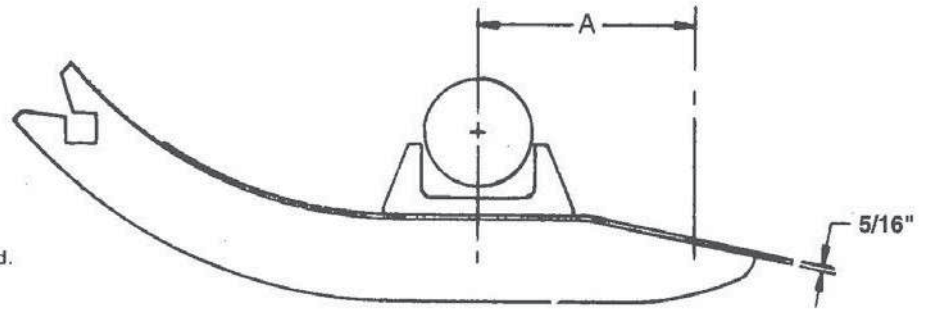


PART NUMBER	LEFT OF RIGHT HAND	A DIMENSION	B DIMENSION	SHOCK POSITION	AXLE CONNECTION	APPLICATION
905 15 009	L	11"	7-3/4"	1	5 Rd	AR-120, 125
905 15 010	R	11"	7-3/4"	1	5 Rd	AR-120, 125
905 15 011	L	11"	6"	2	5 Rd	AR-120-L, 125-L
905 15 012	R	11"	6"	2	5 Rd	AR-120-L, 125-L
905 15 133	L	11"	6"	2	5 Sq	AR-120-L, 125-L
905 15 134	R	11"	6"	2	5 Sq	AR-120-L, 125-L
905 15 147	L	11"	7-3/4"	1	5 Sq	AR-120, 125
905 15 148	R	11"	7-3/4"	1	5 Sq	AR-120, 125

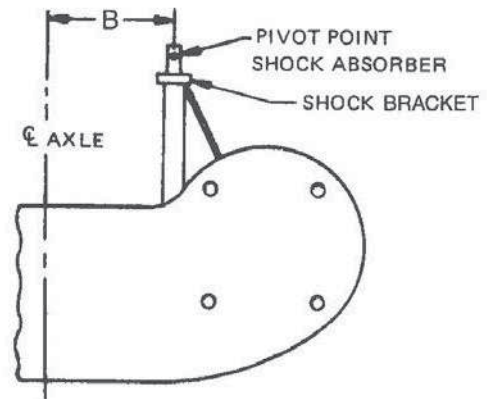
NOTE: Equalizing Beams do not include Beam Seat.



NOTE:
Diamond shaped torsion bar hole
(in yoke end of beams) type beams
are obsolete, both beams must be changed.



TYPE 1
8 1/2" TRAVEL
7 3/4" TRAVEL (F MODEL)



TYPE 2
10" TRAVEL

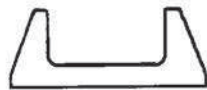
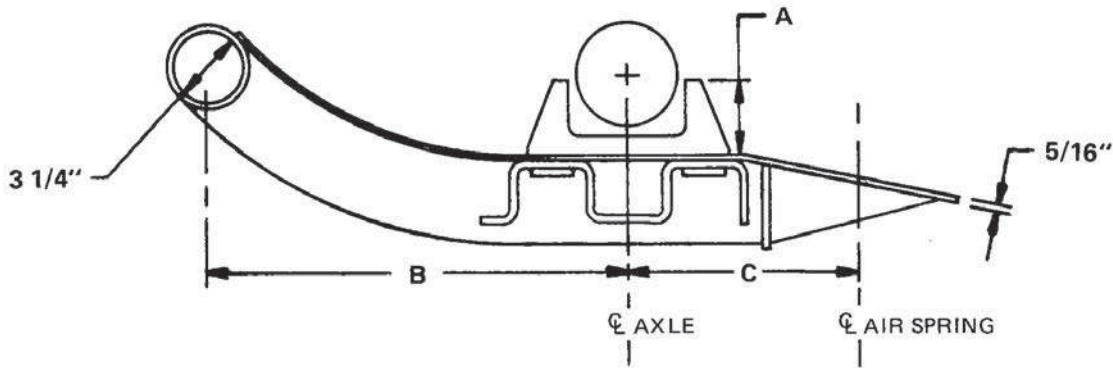
PART NUMBER	LEFT OF RIGHT HAND	A DIMENSION	B DIMENSION	SHOCK POSITION	AXLE CONNECTION	APPLICATION
905 15 021	L	11-1/16"	6-3/8"	2	5 Rd	AR-120/125-US-L
905 15 022	R	11-1/16"	6-3/8"	2	5 Rd	AR-120/125-US-L
905 15 026	L	11-1/16"	8-1/4"	1	5 Rd	AR-120/125-US
905 15 027	R	11-1/16"	8-1/4"	1	5 Rd	AR-120/125-US
905 15 610	L	14-9/16"	11-3/4"	1	5 Sq	AR-120/125-US-F
905 15 611	R	14-9/16"	11-3/4"	1	5 Sq	AR-120/125-US-F

NOTE: Equalizing Beams do not include Beam Seat.

AR-41, AR-45, AR-45-1, AR-75, AR-80 & AR-85-A Series Equalizing Beam Identification



SAF-HOLLAND Group



TYPE 1

20" Wheel 5" RD. or 5" SQ.
15" Wheel 5" RD.

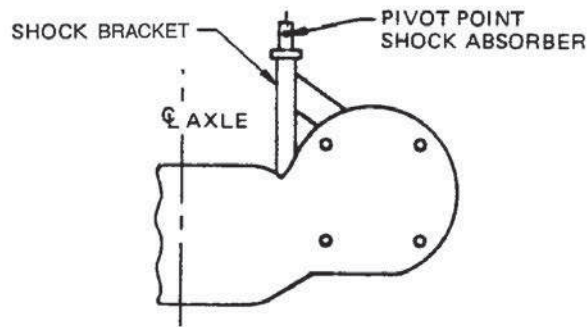
- 900 01 006 3 1/2"
- 900 01 131 3 5/8"
- 900 01 008 6 1/2"
- 905 01 128 6 5/8"



TYPE 2

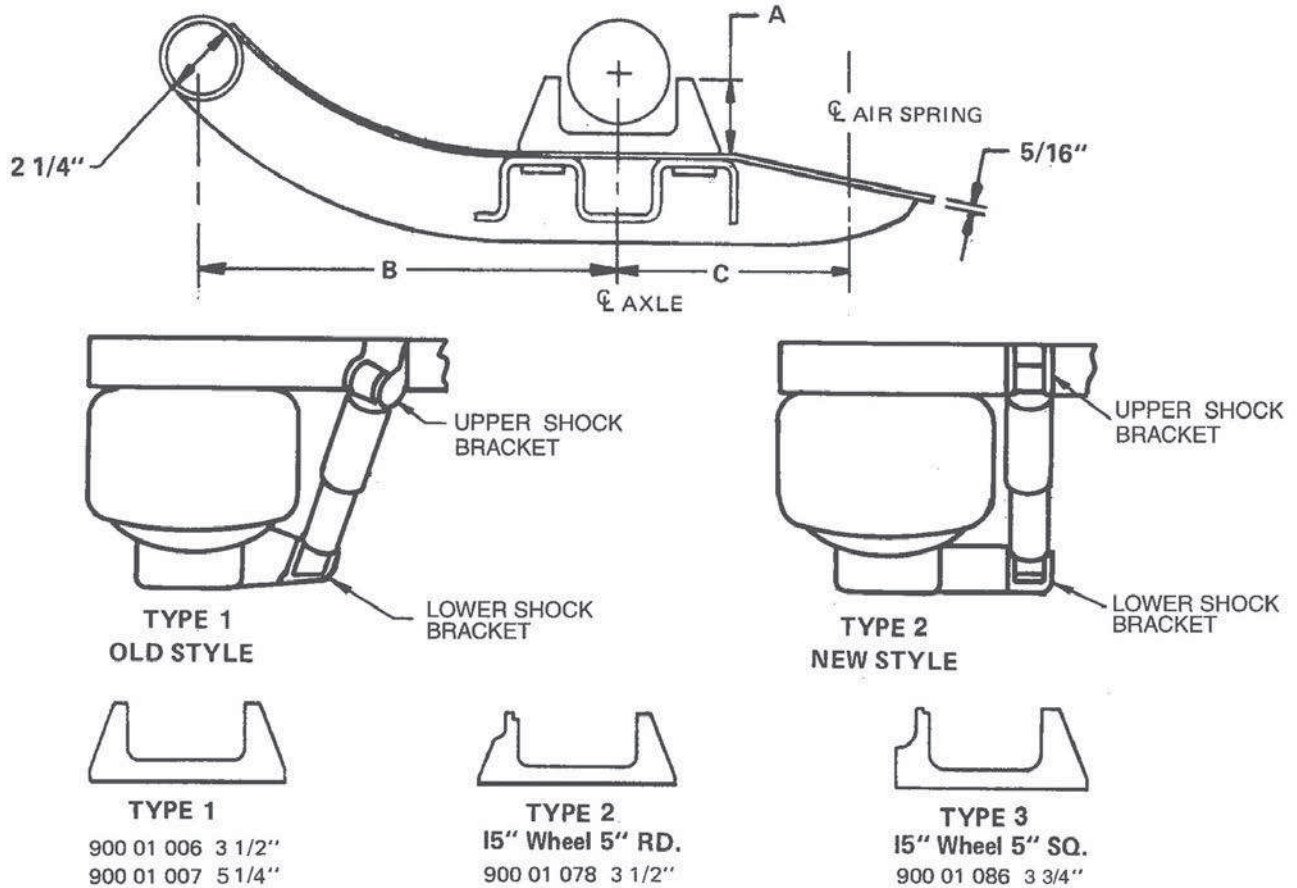
15" Wheel 5" RD.

900 01 078 3 1/2"



PART NUMBER	LEFT OF RIGHT HAND	A DIMENSION	B DIMENSION	C DIMENSION	BEAM SEAT	APPLICATION
905 15 857	L	3-1/2"	19"	13-5/16"	1	AR-45, 45-1, 75, 75-1
905 15 858	R	3-1/2"	19"	13-5/16"	1	AR-45, 45-1, 75, 75-1
905 15 859	L	6-1/2"	19"	13-5/16"	1	AR-75
905 15 860	R	6-1/2"	19"	13-5/16"	1	AR-75
905 15 896	L	6-5/8"	19"	13-5/16"	1	AR-45, 75
905 15 897	R	6-5/8"	19"	13-5/16"	1	AR-45, 75
905 15 898	L	3-1/2"	19"	13-5/16"	2	AR-45, 75
905 15 899	R	3-1/2"	19"	13-5/16"	2	AR-45, 75
905 16 054	L	3-1/2"	15-1/4"	11-1/16"	1	AR-41
905 16 055	R	3-1/2"	15-1/4"	11-1/16"	1	AR-41
905 16 195	L	3-1/2"	19-1/2"	11-1/2"	1	AR-85-A
905 16 196	R	3-1/2"	19-1/2"	11-1/2"	1	AR-85-A
905 16 447	L	3-5/8"	19"	13-5/16"	1	AR-80
905 16 448	R	3-5/8"	19"	13-5/16"	1	AR-80
905 16 449	L	3-5/8"	19"	13-5/16"	1	AR-80
905 16 450	R	3-5/8"	19"	13-5/16"	1	AR-80

NOTE: Equalizing Beams do not include Beam Seat.



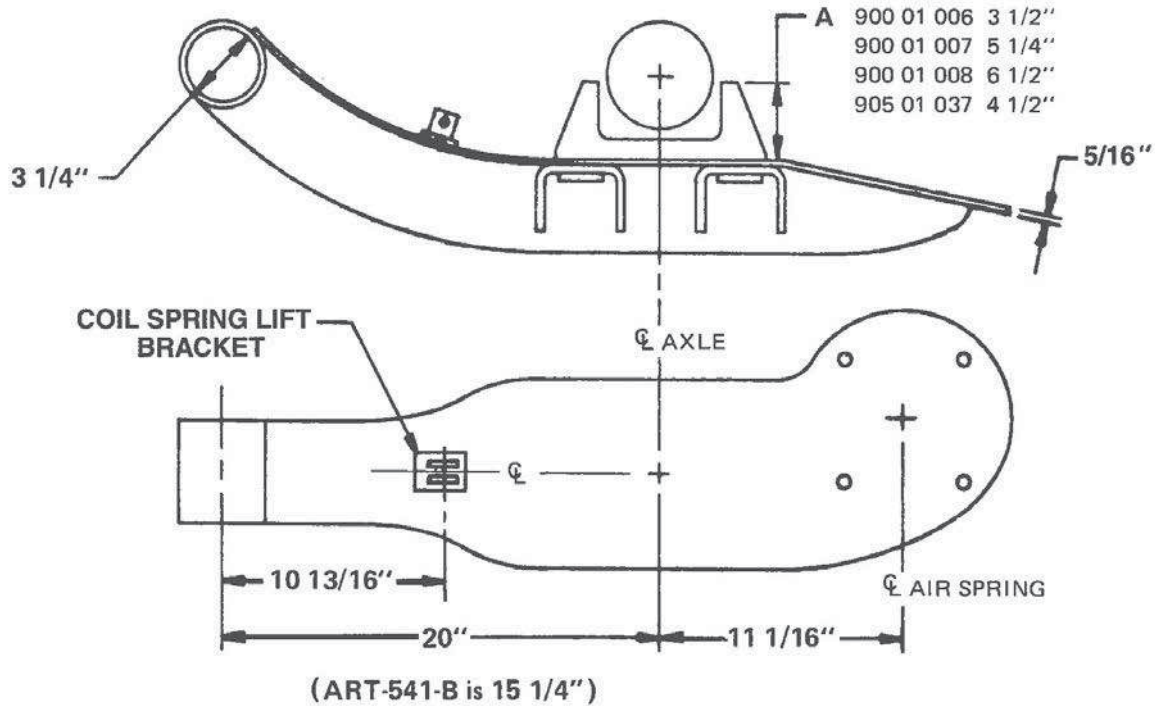
PART NUMBER	LEFT OF RIGHT HAND	A DIMENSION	B DIMENSION	C DIMENSION	SHOCK POSITION	BEAM SEAT	APPLICATION
905 15 131	R	3-1/2"	19"	13-5/16"	1	1	AR-50-US-F
905 15 132	L	3-1/2"	19"	13-5/16"	1	1	AR-50-US-F
905 15 141	L	3-1/2"	19"	11-1/16"	1	1	AR-50-US
905 15 142	R	3-1/2"	19"	11-1/16"	1	1	AR-50-US
905 15 217	L	5-1/4"	19"	13-1/4"	2	1	AR-50-US
905 15 218	R	5-1/4"	19"	13-1/4"	2	1	AR-50-US
905 16 000	L	3-1/2"	19"	13-5/16"	2	1	AR-50-US-F
905 16 001	R	3-1/2"	19"	13-5/16"	2	1	AR-50-US-F
905 16 004	L	3-1/2"	19"	13-5/16"	2	2	AR-50-US-F
905 16 005	R	3-1/2"	19"	13-5/16"	2	2	AR-50-US-F
905 16 006	L	3-3/4"	19"	13-5/16"	2	3	AR-50-US-F
905 16 007	R	3-3/4"	19"	13-5/16"	2	3	AR-50-US-F
905 16 008	L	3-1/2"	19"	11-1/16"	2	1	AR-50-US
905 16 009	R	3-1/2"	19"	11-1/16"	2	1	AR-50-US
905 16 010	L	3-3/4"	19"	11-1/16"	2	3	AR-50-US
905 16 011	R	3-3/4"	19"	11-1/16"	2	3	AR-50-US

NOTE: Equalizing Beams do not include Beam Seat.

ART-500-B, ART-500-US-A, ART-505-B/C, ART-541-B, ART-551-B & ART-555-B/C Equalizing Beam Identification



SAF-HOLLAND Group



PART NUMBER	LEFT OF RIGHT HAND	A DIMENSION	APPLICATION
905 15 602*	L	5-1/4"	ART-555-B-1 SP
905 15 603*	R	5-1/4"	ART-555-B-1 SP
905 16 197	L	3-1/2"	ART-541-B
905 16 198	R	3-1/2"	ART-541-B
905 16 335*	L	3-1/2"	ART-505-B/C, 555-B/C-3
905 16 336*	R	3-1/2"	ART-505-B/C, 555-B/C-3
905 16 337*	L	4-1/2"	ART-505-B/C-1, 555-B/C-2
905 16 338*	R	4-1/2"	ART-505-B/C-1, 555-B/C-2
905 16 341*	L	6-1/2"	ART-555-B/C-1
905 16 342*	R	6-1/2"	ART-555-B/C-1
905 16 343	L	3-1/2"	ART-500-US-A, 500-B, 551-B-3
905 16 344	R	3-1/2"	ART-500-US-A, 500-B, 551-B-3
905 16 345	L	4-1/2"	ART-500-B-1, 551-B-2
905 16 346	R	4-1/2"	ART-500-B-1, 551-B-2
905 16 349	L	6-1/2"	ART-551-B-1
905 16 350	R	6-1/2"	ART-551-B-1

* Includes Coil Spring Lift Bracket.

NOTE: Equalizing Beams include Beam Seat.

HOLLAND (AND FORMER NEWAY) TRAILER MECHANICAL SUSPENSION PARTS REFERENCE GUIDE



TABLE OF CONTENTS

Current Holland Models

UltraLite2 (Binkley)	4-2
DuraSystem (Binkley)	4-6
Z-Frame	4-10
TR-8750, TR-8900	4-12
TR-4100/TR-4120	4-14
TS Series.	4-18
USR-4440, -5500, -5600	4-20
TS & USR Service Rebuild Kits	4-22

Former Neway Suspensions

Trailer Spring Beam Suspension (SB)

SB-360-B, -500-B, -600-B	4-24
SB-660-HD-A	4-26

Two-Spring Tandem Suspensions (TS, US, USR)

TS-426-A, -432, -436, -442, -536, -542	4-28
TS-550, TS-560.	4-30
TS-660, -680, -6100, TS-660-A, -680-A, -6100-A	4-32
US-426-A, -432, -436, -442, -536, -542.	4-34
US-4360, -4440	4-36
USR-426-A, -432, -436, -442	4-38
USR-536, -542, -550, -560	4-40

Trailer Single, Tandem & Tri-Axle Spring Suspension (RTS)

RTS-218-A, RTS-222-A	4-42
RTS-536, RTS-544	4-44
RTS-754-HD	4-46

Trailer Tri-Axle Spring Suspension (TR)

T-8750, T-8900	4-48
T-8540, TR-8540, TR-8600	4-50

Trailer Rubber Cushion Suspension (ER, RC)

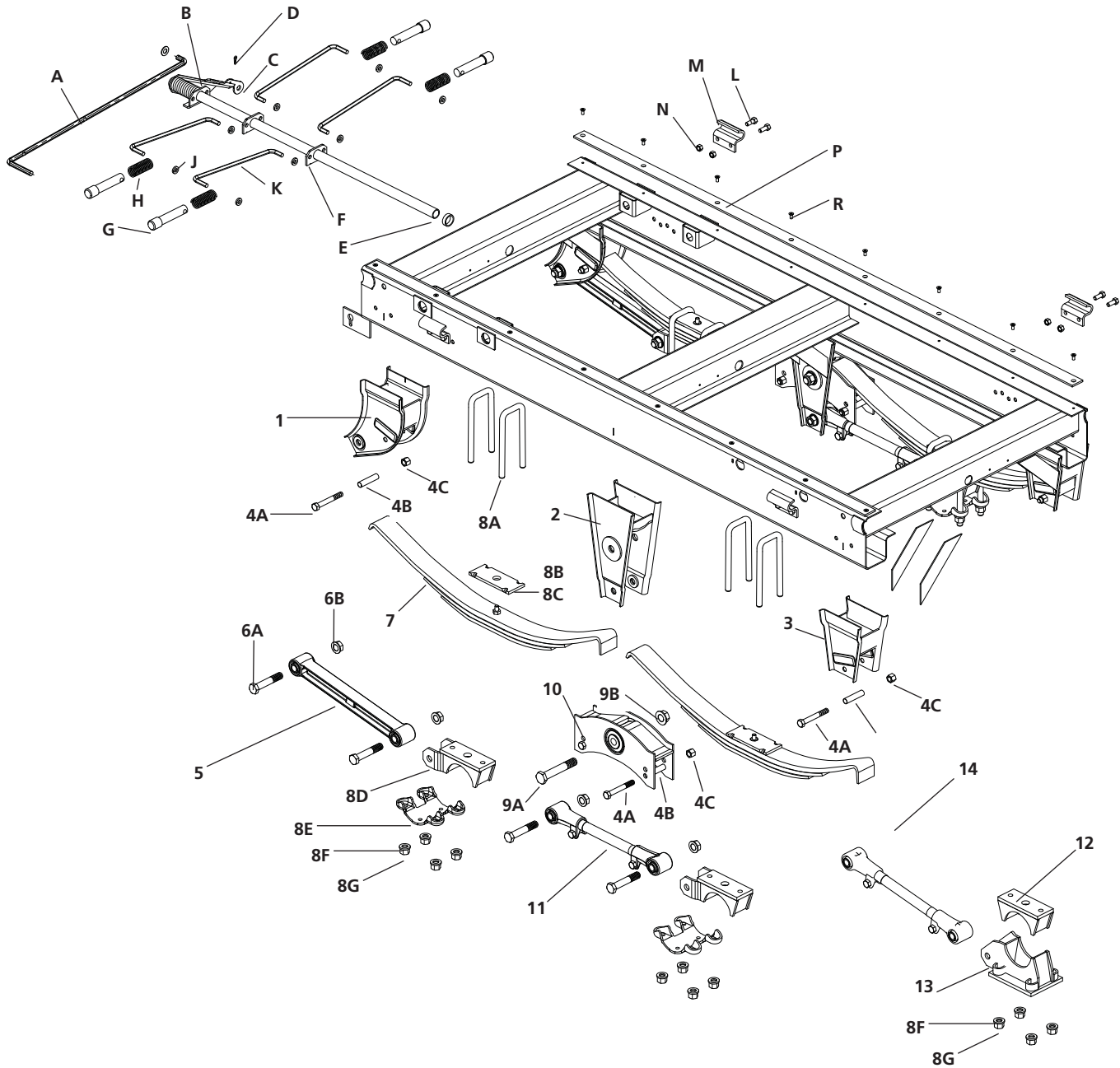
RC-122-11-A, RC-122-16-A	4-52
ER-2250/RC-2000-16	4-54

For parts, service, and warranty questions,
call 888.396.6501 or visit www.safholland.us

UltraLite2 Exploded View



SAF-HOLLAND Group



For clarity, duplicate U-bolt and adjustable torque arm connection components, among other components, are not identified.



Slider Box Components

ITEM NO.*	DESCRIPTION	HOLLAND PART NUMBER	QTY.
A	Pull Handle	42" - SLOA1269-02 48" - SLOA1269-01 54" - SLOA1269-03	1
B	Center Pin Pull Assembly	SLOA1277-01	1
C	Retainer Washer	XB-PW-016-08	1
D	Cotter Pin 3/16" x 1-1/2"	XB-CTP-014-59	1
E	Spacer	SL0523-07	1
F	Torsion Cam	SLOA1274	2
G	Lock Pin Hutch Style 1-5/8" Dia.	SLOA1261	4
	Lock Pin 1-3/8" Dia. All Others	SLOA1238	4
H	Compression Spring	XB-SPG-020-35	4
J	Washer 1/2" (Pin Pull Rod)	XB-PW-016-85	8
K	Pin Pull Rod	42" - SLOA1239-01 48" - SLOA1239-02 54" - SLOA1239-03	4
L	Bolt 1/2"-13 x 1-1/4"	XB-HHC-001-33	8
M	Hold Down Clip	SL0893	4
N	Lock Nut 1/2"-13	XB-SLN-012-42	8
P	Slider Pad 96" (Long)	XB-SLOA1054	2
R	Self Tap Screw 5/16"-18 x 3/4"	XB-ST5-008-16	16

* Only items A and K have different part numbers for 42", 48" and 54" sliders.

Suspension Components

ITEM NO.	DESCRIPTION	PART NUMBER	QUANTITY TANDEM AXLE	QUANTITY NO-HOP
1	Straddle Mount Front Hanger	SP0100	2	2
2	Straddle Mount Equalizer Hanger	SP0110	2	2
3	Straddle Mount Rear Hanger	SP0120	2	2
4A	Bolt 5/8"-11 x 4-1/2" LG GR 5	XB-SP0050-71	8	8
4B	Spacer, 5/8"	XB-SP0145	8	8
4C	Lock Nut 5/8"-11	XB-SP0012-10	8	8
5	Fixed Torque Arm with Bushings	SP0143	2	1
6A	Bolt 7/8"-14 x 4-3/4" LG GR 5	XB-SP0050-75	8	8
6B	Flange Lock Nut 7/8"-14	XB-SP0012-36	8	8
7*	Spring Assembly	See Following Page	4	4
8A	U-Bolt 3/4" Dia.	See Following Page	8	4
8A**	U-Bolt 3/4" Dia. - Rear Axle	See Following Page	0	4
8B	Top Plate	SP0178	4	4
8C*	Liner	SP0049	4	4
8D	Spring Seat Riser	See Following Page	4	2
8E	Bottom Plate	SP0099	4	2
8F	Hardened Washer 13/16" ID x 1-15/16" OD	XB-SP0016-67	16	16
8G	Hex Nut 3/4"-16 GR 8	XB-SP0011-44	16	16
9A	Bolt 1"-14 x 6-1/16" LG GR 5	XB-SP0050-73	2	2
9B	Flange Lock Nut 1"-14	XB-SP0012-37	2	2
10	Equalizer with Bushings	SP0131	2	2
11	Adjustable Torque Arm with Bushings	SP0123	2	1
12**	Spring Seat Riser - Rear Axle	See Following Page	0	2
13**	No Hop Bottom Plate - Rear Axle	SP0170	0	2
14**	Adjustable Torque Arm - Rear Axle	SP0169	0	2

* Spring assembly and spring liner (items 7 and 8C) are supplied by spring manufacturer.

** No Hop components.

*UltraLite2 Parts List
continued on next page*

Mounting Height Table*

NO.	DESCRIPTION	SPRING PART NO.		SEAT HEIGHT							
				3/4"	1-1/4"	1-3/4"	2-1/4"	2-3/4"	3-1/4"	3-3/4"	4-1/4"
8D	Spring Seat Riser			SP0142-01	SP0142-02	SP0142-03	SP0149-04	SP0149-05	SP0149-06	SP0149-07	SP0149-08
7	Heavy-Duty, 3-Leaf Springs	SP0365 SP0365-01	U-Bolt	SP0074-K	SP0074-L	SP0074-M	SP0074-P	SP0074-R	SP0074-S	SP0074-T	SP0074-U
			Mtg.	15-1/2"	16"	16-1/2"	17"	17-1/2"	18"	18-1/2"	19"
			Ht.	13-1/4"	13-3/4"	14-1/4"	14-3/4"	15-1/4"	15-3/4"	16-1/4"	16-3/4"
7	3-Leaf Springs	SP0354 SP0355 SP0356	U-Bolt	SP0074-J	SP0074-K	SP0074-L	SP0074-M	SP0074-P	SP0074-R	SP0074-S	SP0074-T
			Mtg.	15-1/2"	16"	16-1/2"	17"	17-1/2"	18"	18-1/2"	19"
			Ht.	14"	14-1/2"	15"	15-1/2"	16"	16-1/2"	17"	17-1/2"
7	2-Leaf Springs	SP0324 SP0325 SP0326	U-Bolt	SP0074-H	SP0074-J	SP0074-K	SP0074-L	SP0074-M	SP0074-P	SP0074-R	SP0074-S
			Mtg.	15-1/2"	16"	16-1/2"	17"	17-1/2"	18"	18-1/2"	19"
			Ht.	14"	14-1/2"	15"	15-1/2"	16"	16-1/2"	17"	17-1/2"
7	Single-Leaf Springs	SP0360 SP0363	U-Bolt	SP0074-G	SP0074-H	SP0074-J	SP0074-K	SP0074-L	SP0074-M	SP0074-P	SP0074-R
			Mtg.	15-1/2"	16"	16-1/2"	17"	17-1/2"	18"	18-1/2"	19"
			Ht.	13-1/4"	13-3/4"	14-1/4"	14-3/4"	15-1/4"	15-3/4"	16-1/4"	16-3/4"

* Subtract 1/2 from all mounting heights (ride heights) for single axle DuraLite® suspensions. (e.g. For a single axle suspension listing 16 as the mounting height from the above table, subtract 1/2, yielding a mounting height [or ride height] of 15-1/2.)

No Hop - Mounting Height Table

NO.	DESCRIPTION	SPRING PART NUMBER		SEAT HEIGHT			
				3/4"	1-1/4"	1-3/4"	2-1/4"
8D	Front Spring Seat Riser			SP0142-01	SP0142-02	SP0142-03	SP0149-04
13	Rear Spring Seat Riser			SP0172-01	SP0172-02	SP0172-03	SP0172-04
7	Heavy Duty 3-Leaf Springs	SP0365 SP0365-01	Front U-Bolt	SP0074-K	SP0074-L	SP0074-M	SP0074-P
			Rear U-Bolt	SP0074-T	SP0074-U	SP0074-V	SP0074-W
				15-1/2"	16"	16-1/2"	17"
7	3-Leaf Springs	SP0354 SP0355 SP0356	Front U-Bolt	SP0074-J	SP0074-K	SP0074-L	SP0074-M
			Rear U-Bolt	SP0074-S	SP0074-T	SP0074-U	SP0074-V
				15-1/2"	16"	16-1/2"	17"
7	2-Leaf Springs	SP0324 SP0325 SP0326	Front U-Bolt	SP0074-H	SP0074-J	SP0074-K	SP0074-L
			Rear U-Bolt	SP0074-R	SP0074-S	SP0074-T	SP0074-U
				15-1/2"	16"	16-1/2"	17"
7	Single-Leaf Springs	SP0360 SP0363	Front U-Bolt	SP0074-G	SP0074-H	SP0074-J	SP0074-K
			Rear U-Bolt	SP0074-P	SP0074-R	SP0074-S	SP0074-T
				15-1/2"	16"	16-1/2"	17"



SAF-HOLLAND Group

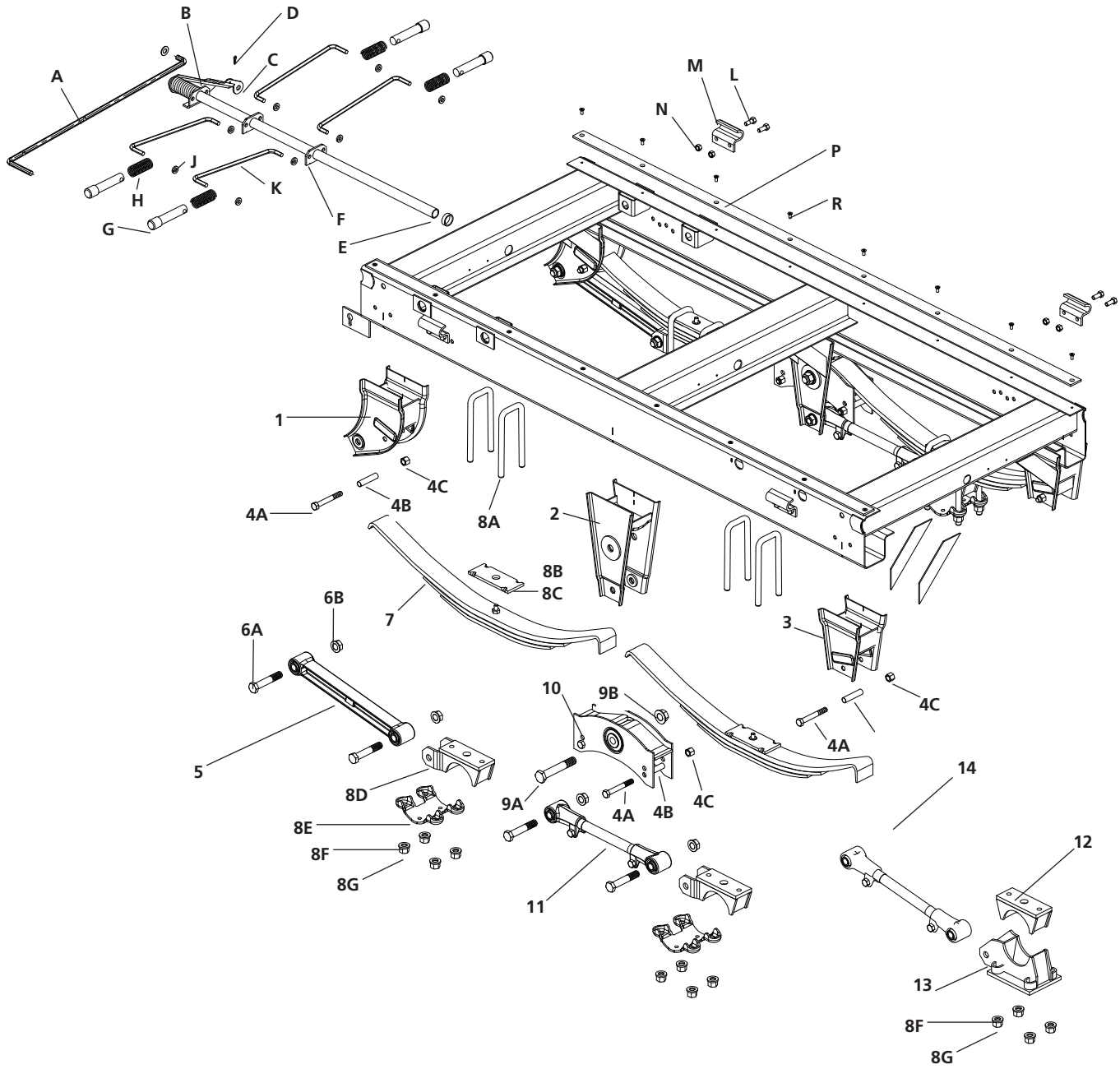
Trailer Mechanical Suspension Parts Reference Guide

THIS PAGE INTENTIONALLY LEFT BLANK

DuraSystem Exploded View



SAF-HOLLAND Group



For clarity, duplicate U-bolt and adjustable torque arm connection components, among other components, are not identified.



Slider Box Components

ITEM NO.*	DESCRIPTION	HOLLAND PART NUMBER	QTY.
A	Pull Handle	42" - SLOA1269-02 48" - SLOA1269-01 54" - SLOA1269-03	1
B	Center Pin Pull Assembly	SLOA1277-01	1
C	Retainer Washer	XB-PW-016-08	1
D	Cotter Pin 3/16" x 1-1/2"	XB-CTP-014-59	1
E	Spacer	SL0523-07	1
F	Torsion Cam	SLOA1274	2
G	Lock Pin Hutch Style 1-5/8" Dia.	SLOA1261	4
	Lock Pin 1-3/8" Dia. All Others	SLOA1238	4
H	Compression Spring	XB-SPG-020-35	4
J	Washer 1/2" (Pin Pull Rod)	XB-PW-016-85	8
K	Pin Pull Rod	42" - SLOA1239-01 48" - SLOA1239-02 54" - SLOA1239-03	4
L	Bolt 1/2"-13 x 1-1/4"	XB-HHC-001-33	8
M	Hold Down Clip	900 15 150	4
N	Lock Nut 1/2"-13	XB-SLN-012-42	8
P	Slider Pad 96" (Long)	XB-SLOA1054	2
R	Self Tap Screw 5/16"-18 x 3/4"	XB-ST5-008-16	16

* Only items A and K have different part numbers for 42", 48" and 54" sliders.

Suspension Components

ITEM NO.	DESCRIPTION	PART NUMBER	QUANTITY TANDEM AXLE	QUANTITY NO-HOP
1	Straddle Mount Front Hanger	SP0100	2	2
2	Straddle Mount Equalizer Hanger	SP0294	2	2
3	Straddle Mount Rear Hanger	SP0120	2	2
4A	Bolt 5/8"-11 x 4-1/2" LG GR 5	XB-SP0050-71	8	8
4B	Spacer, 5/8"	XB-SP0145	8	8
4C	Lock Nut 5/8"-11	XB-SP0012-10	8	8
5	Fixed Torque Arm with Bushings	SP0143	2	1
6A	Bolt 7/8"-14 x 4-3/4" LG GR 5	XB-SP0050-75	8	8
6B	Flange Lock Nut 7/8"-14	XB-SP0012-36	8	8
7*	Spring Assembly	See Following Page	4	4
8A	U-Bolt 3/4" Dia.	See Following Page	8	4
8A**	U-Bolt 3/4" Dia. - Rear Axle	See Following Page	0	4
8B	Top Plate	SP0178	4	4
8C*	Liner	SP0049	4	4
8D	Spring Seat Riser	See Following Page	4	2
8E	Bottom Plate	SP0099	4	2
8F	Hardened Washer 13/16" ID x 1-15/16" OD	XB-SP0016-67	16	16
8G	Hex Nut 3/4"-16 GR 8	XB-SP0011-44	16	16
9A	Bolt 1"-14 x 6-1/16" LG GR 5	XB-SP0050-73	2	2
9B	Flange Lock Nut 1"-14	XB-SP0012-37	2	2
10	Equalizer with Bushings	SP0131	2	2
11	Adjustable Torque Arm with Bushings	SP0123	2	1
12**	Spring Seat Riser - Rear Axle	See Following Page	0	2
13**	No Hop Bottom Plate - Rear Axle	SP0170	0	2
14**	Adjustable Torque Arm - Rear Axle	SP0169	0	2

* Spring assembly and spring liner (items 7 and 8C) are supplied by spring manufacturer.
 ** No Hop components.

*DuraSystem Parts List
 continued on next page*

Mounting Height Table*

NO.	DESCRIPTION	SPRING PART NO.		SEAT HEIGHT							
				3/4"	1-1/4"	1-3/4"	2-1/4"	2-3/4"	3-1/4"	3-3/4"	4-1/4"
8D	Spring Seat Riser			SP0142-01	SP0142-02	SP0142-03	SP0149-04	SP0149-05	SP0149-06	SP0149-07	SP0149-08
7	Heavy-Duty, 3-Leaf Springs	SP0365 SP0365-01	U-Bolt	SP0074-K	SP0074-L	SP0074-M	SP0074-P	SP0074-R	SP0074-S	SP0074-T	SP0074-U
			Mtg.	15-1/2"	16"	16-1/2"	17"	17-1/2"	18"	18-1/2"	19"
			Ht.	13-1/4"	13-3/4"	14-1/4"	14-3/4"	15-1/4"	15-3/4"	16-1/4"	16-3/4"
7	3-Leaf Springs	SP0354 SP0355 SP0356	U-Bolt	SP0074-J	SP0074-K	SP0074-L	SP0074-M	SP0074-P	SP0074-R	SP0074-S	SP0074-T
			Mtg.	15-1/2"	16"	16-1/2"	17"	17-1/2"	18"	18-1/2"	19"
			Ht.	14"	14-1/2"	15"	15-1/2"	16"	16-1/2"	17"	17-1/2"
				13-1/4"	13-3/4"	14-1/4"	14-3/4"	15-1/4"	15-3/4"	16-1/4"	16-3/4"
7	2-Leaf Springs	SP0324 SP0325 SP0326	U-Bolt	SP0074-H	SP0074-J	SP0074-K	SP0074-L	SP0074-M	SP0074-P	SP0074-R	SP0074-S
			Mtg.	15-1/2"	16"	16-1/2"	17"	17-1/2"	18"	18-1/2"	19"
			Ht.	14"	14-1/2"	15"	15-1/2"	16"	16-1/2"	17"	17-1/2"
				13-1/4"	13-3/4"	14-1/4"	14-3/4"	15-1/4"	15-3/4"	16-1/4"	16-3/4"
7	Single-Leaf Springs	SP0360 SP0363	U-Bolt	SP0074-G	SP0074-H	SP0074-J	SP0074-K	SP0074-L	SP0074-M	SP0074-P	SP0074-R
			Mtg.	15-1/2"	16"	16-1/2"	17"	17-1/2"	18"	18-1/2"	19"
			Ht.	13-1/4"	13-3/4"	14-1/4"	14-3/4"	15-1/4"	15-3/4"	16-1/4"	16-3/4"

* Subtract 1/2 from all mounting heights (ride heights) for single axle DuraLite® suspensions. (e.g. For a single axle suspension listing 16 as the mounting height from the above table, subtract 1/2, yielding a mounting height [or ride height] of 15-1/2.)

No Hop - Mounting Height Table

NO.	DESCRIPTION	SPRING PART NUMBER		SEAT HEIGHT			
				3/4"	1-1/4"	1-3/4"	2-1/4"
8D	Front Spring Seat Riser			SP0142-01	SP0142-02	SP0142-03	SP0149-04
13	Rear Spring Seat Riser			SP0172-01	SP0172-02	SP0172-03	SP0172-04
7	Heavy Duty 3-Leaf Springs	SP0365 SP0365-01	Front U-Bolt	SP0074-K	SP0074-L	SP0074-M	SP0074-P
			Rear U-Bolt	SP0074-T	SP0074-U	SP0074-V	SP0074-W
				15-1/2"	16"	16-1/2"	17"
				13-1/4"	13-3/4"	14-1/4"	14-3/4"
7	3-Leaf Springs	SP0354 SP0355 SP0356	Front U-Bolt	SP0074-J	SP0074-K	SP0074-L	SP0074-M
			Rear U-Bolt	SP0074-S	SP0074-T	SP0074-U	SP0074-V
				15-1/2"	16"	16-1/2"	17"
				14"	14-1/2"	15"	15-1/2"
				13-1/4"	13-3/4"	14-1/4"	14-3/4"
7	2-Leaf Springs	SP0324 SP0325 SP0326	Front U-Bolt	SP0074-H	SP0074-J	SP0074-K	SP0074-L
			Rear U-Bolt	SP0074-R	SP0074-S	SP0074-T	SP0074-U
				15-1/2"	16"	16-1/2"	17"
				14"	14-1/2"	15"	15-1/2"
7	Single-Leaf Springs	SP0360 SP0363	Front U-Bolt	SP0074-G	SP0074-H	SP0074-J	SP0074-K
			Rear U-Bolt	SP0074-P	SP0074-R	SP0074-S	SP0074-T
				15-1/2"	16"	16-1/2"	17"
				13-1/4"	13-3/4"	14-1/4"	14-3/4"



SAF-HOLLAND Group

Trailer Mechanical Suspension Parts Reference Guide

THIS PAGE INTENTIONALLY LEFT BLANK

Z-Frame Mechanical Suspension Parts

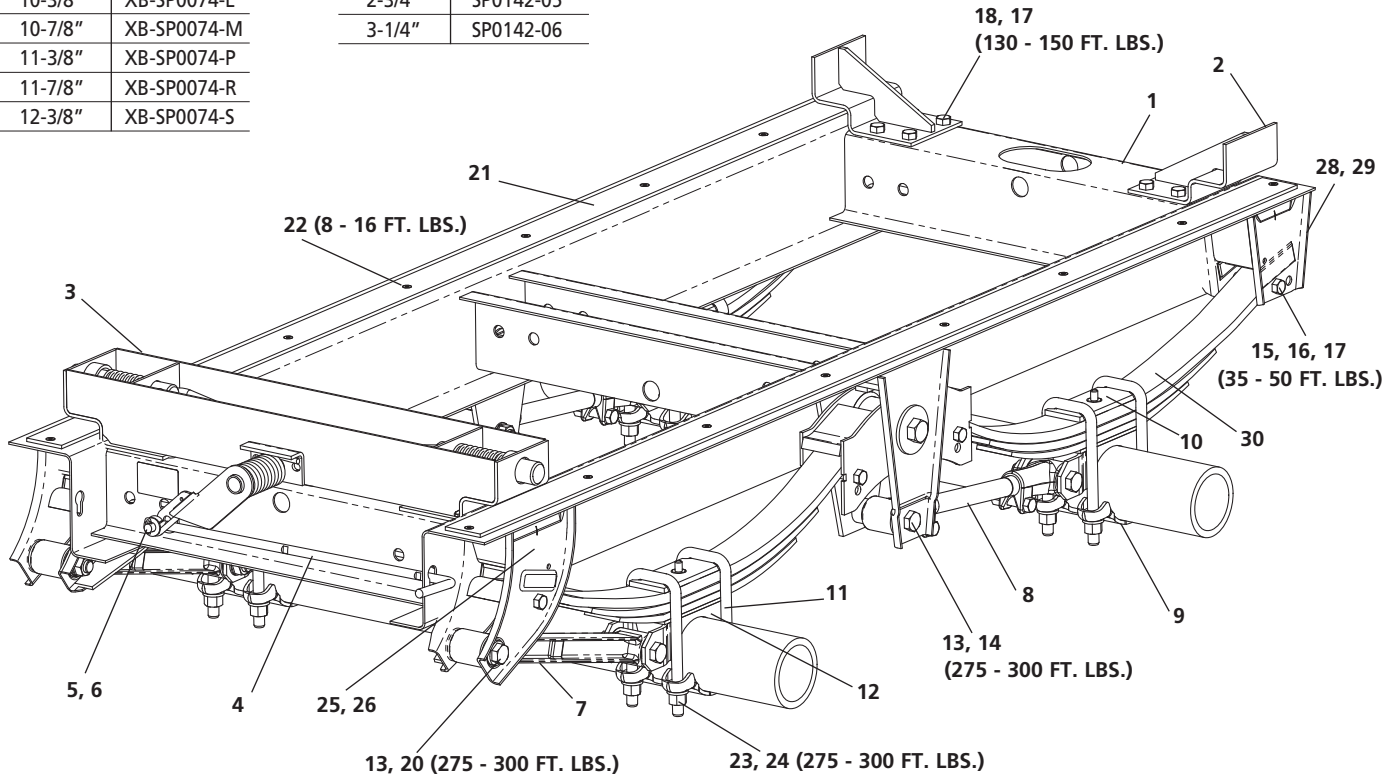
IMPORTANT: Z-Frame Suspension components vary by assembly part number and OEM/Chassis builder specifications. To ensure proper part number identification before placing order, refer to OEM/Chassis builder's specifications or visually check component to be replaced for part number. If part number can not be identified or confirmed please contact Holland technical service for assistance - 888-396-6501.

U-Bolt Chart

LENGTH	HOLLAND PART NO.
8-3/8"	XB-SP0074-G
8-7/8"	XB-SP0074-H
9-3/8"	XB-SP0074-J
9-7/8"	XB-SP0074-K
10-3/8"	XB-SP0074-L
10-7/8"	XB-SP0074-M
11-3/8"	XB-SP0074-P
11-7/8"	XB-SP0074-R
12-3/8"	XB-SP0074-S

Seat Riser Chart

HEIGHT	HOLLAND PART NO.
3/4"	SP0142-01
1-1/4"	SP0142-02
1-3/4"	SP0142-03
2-1/4"	SP0142-04
2-3/4"	SP0142-05
3-1/4"	SP0142-06



Z-Frame Mechanical Suspension Parts List

ITEM NO.	DESCRIPTION	HOLLAND PART NO.	QTY.
1	Z-Frame with hangers	See next page, Chart 1	1
2	Rear Hold Down Assembly	See next page, Chart 2	-
3	Pin Cage Assembly	See next page, Chart 2	-
4	Pull Arm	SL0041-01	1
5	Cotter Pin	XB-CTP-014-59	1
6	Washer	XB-PW-016-08	1
7	Fixed Torque Arm	SP0143	2
8	Adjustable Torque Arm	SP0123	2
9	Bottom Plate	SP0099	4
10	Top Plate	SP0178	4
11	U-Bolt	See Chart above	8
12	Seat Riser	See Chart above	4
13	Flange Nut, 7/8"	XB-SP0012-36	8
14	Screw, Hex Cap, 7/8"-14 x 5-3/4"	XB-SP0050-01	2
15	Screw, Hex Cap, 5/8"-11 x 4-1/2"	XB-SP0050-71	8

Z-Frame Mechanical Suspension Parts List

ITEM NO.	DESCRIPTION	HOLLAND PART NO.	QTY.
16	Spacer	XB-SP0145	8
17	Nut, Hex 5/8"	XB-SP0012-10	24
18	Screw, Hex Cap, 5/8"-11 x 1-1/2"	XB-SP0050-91	16
19	Torsion Cam Shaft	See next page, Chart 2	-
20	Screw, Hex Cap, 7/8"-14 x 4-3/4"	XB-SP0050-75	6
21	Slide Pad	XB-SL0312-01	2
22	Screw	XB-ST5-008-16	16
23	Nut, Hex, 3/4"-16	XB-SP0011-44	16
24	Washer	XB-SP0016-67	16
25	Front Hanger Roadside	SP0156-02	1
26	Front Hanger Curbside	SP0156-01	1
27	Center Hanger	SP0168	2
28	Rear Hanger Roadside	SP0055-01	1
29	Rear Hanger Curbside	SP0055-02	1
30*	Spring	-	-

* Supplied by trailer manufacturer.

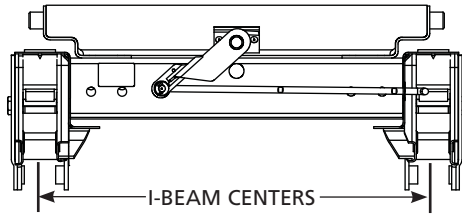


Chart 1

I-BEAM CENTERS	HOLLAND PART NO.
36"	SL0049
37"	SL0049-03
38"	SL0049-01
43"	SL0049-04
44"	SL0049-02

4-PIN, Z-FRAME

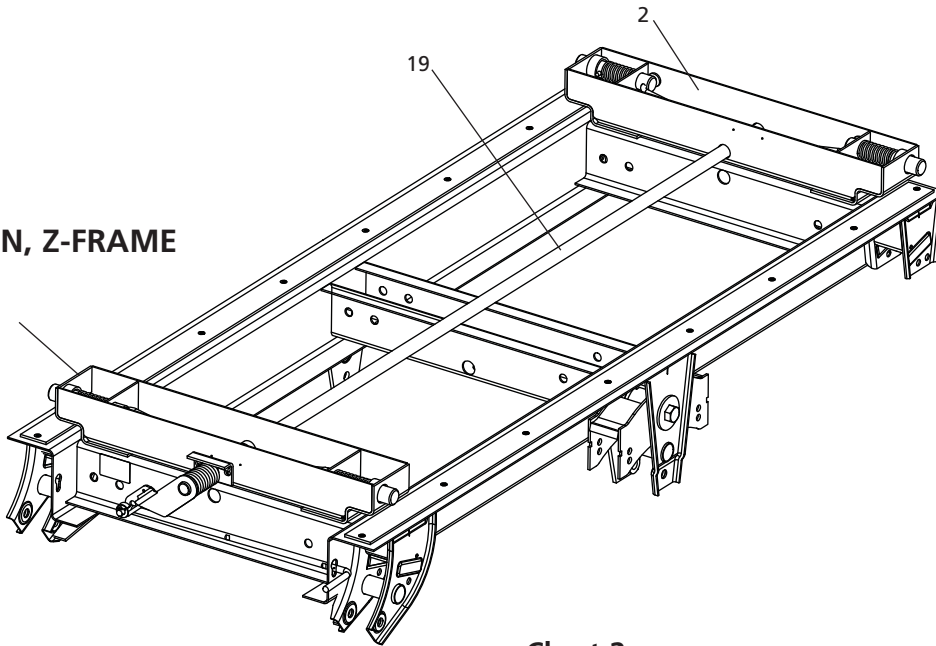


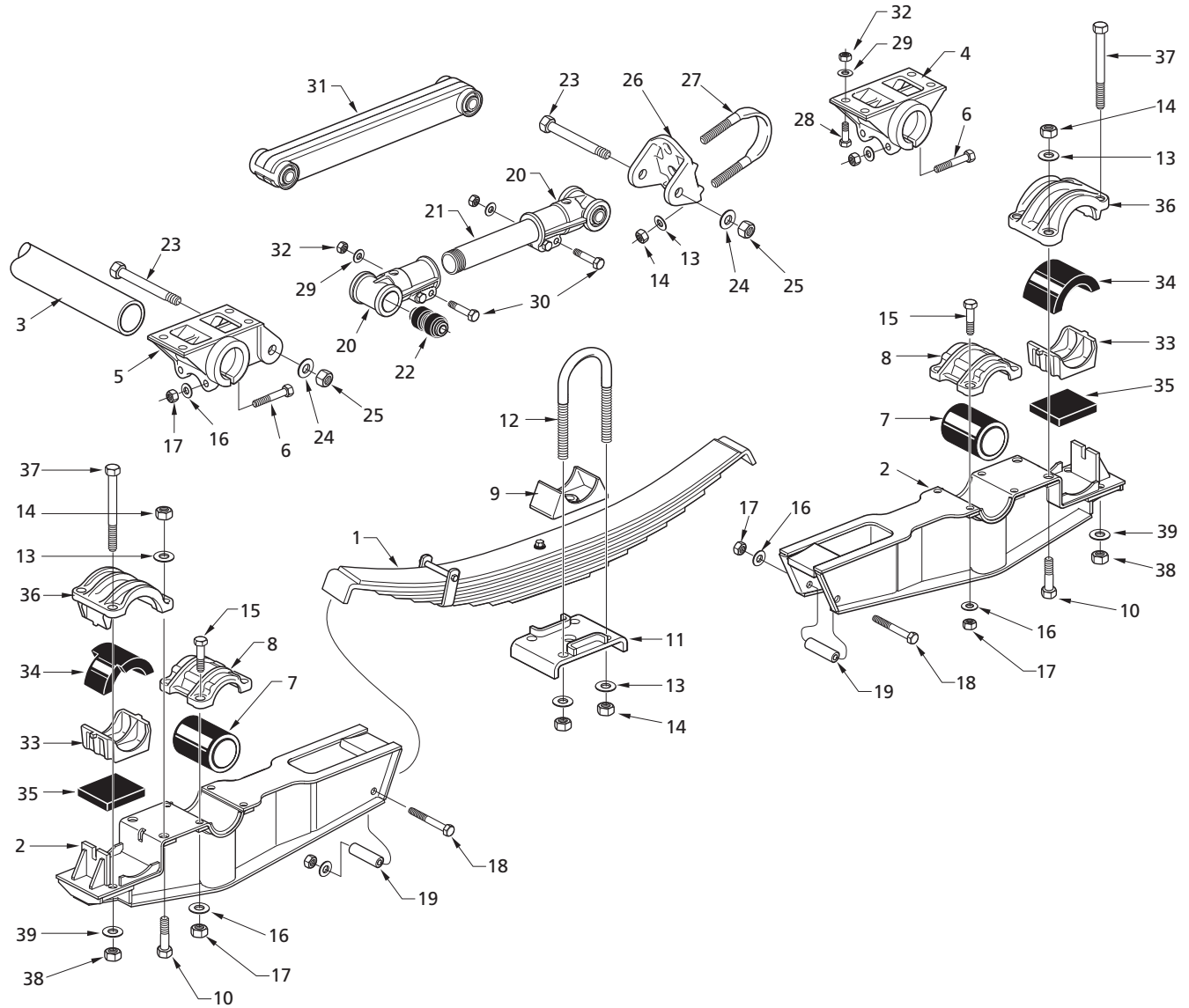
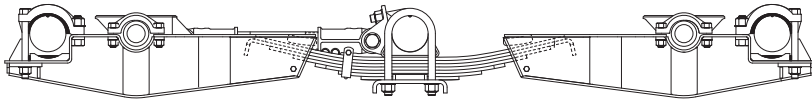
Chart 2

LAST 4 DIGITS OF PART NO.	ITEM NO. 2		ITEM NO. 3		ITEM NO. 19	
	ITEM NO.	QTY.	ITEM NO.	QTY.	ITEM NO.	QTY.
2360	SL0322	2	SL0318-03	1	NA	-
2370	SL0042-01	2	SL0318-04	1	NA	-
2380	SL0322	2	SL0318-01	1	NA	-
2430	SL0042-01	2	SL0318-05	1	NA	-
2440	SL0322	2	SL0318-02	1	NA	-
4360	SL0062-03	1	SL0062-03	1	SL0370-28	1
4380	SL0062-01	1	SL0062-01	1	SL0370-28	1
4430	SL0062-05	1	SL0062-05	1	SL0370-28	1
4440	SL0062-02	1	SL0062-02	1	SL0370-28	1
2361	SL0071-03	1	SL0070-03	1	NA	-
2381	SL0071-02	1	SL0070-02	1	NA	-
2441	SL0071-01	1	SL0070-01	1	NA	-
4361	SL0069-03	1	SL0069-03	1	SL0370-28	1
4371	SL0069-04	1	SL0069-04	1	SL0370-28	1
4381	SL0069-01	1	SL0069-01	1	SL0370-28	1
4431	SL0069-05	1	SL0069-05	1	SL0370-28	1
4441	SL0069-02	1	SL0069-02	1	SL0370-28	1

TR-8750/8900 Series Mechanical Suspension Exploded View



SAF-HOLLAND Group





SAF-HOLLAND Group

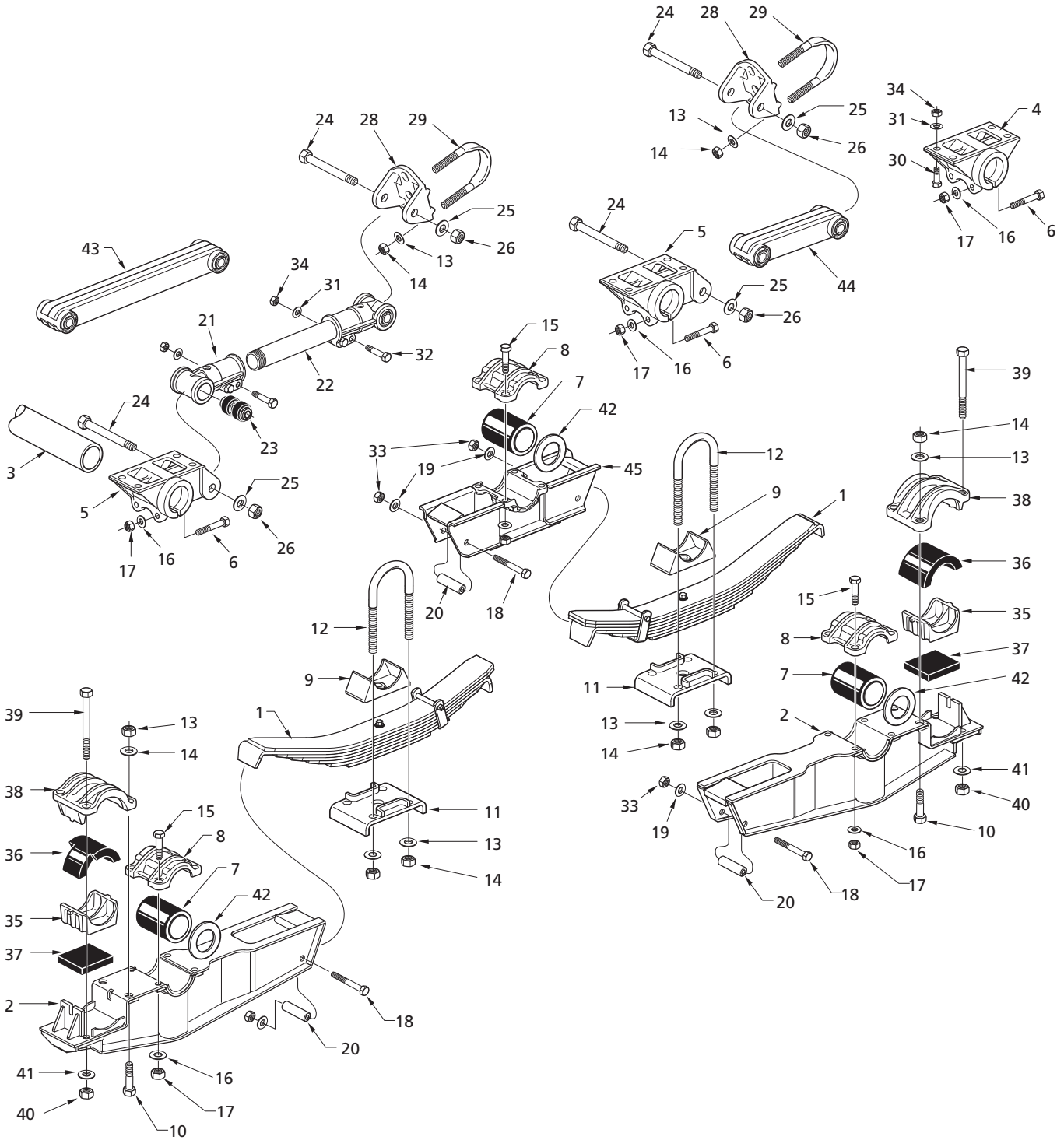
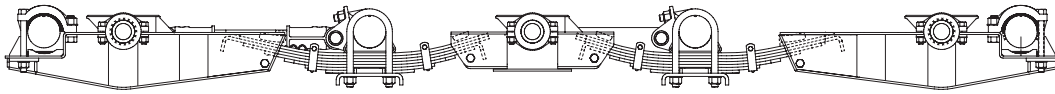
TR-8750/8900 Series Mechanical Suspension Parts List

ITEM	PART NO.	DESCRIPTION	QTY REQD	MODEL
1	915 57 172	Spring Assembly	2	All
2	910 15 015	Equalizing Beam for 5" Dia. Rd. Axles	4	All
	915 15 011	Equalizing Beam for 5-3/4" Dia. Rd. Axles	4	All
3	910 38 290	Trunnion Tube 3-1/2" O.D. x 1/2" Wall x 44-1/4" Long H.T.	2	All
4	915 01 011	Trunnion Clamp Rear	2	All
5	915 18 040	Trunnion Clamp-Front (Left Hand)	1	All
	915 18 041	Trunnion Clamp-Front (Right Hand)	1	All
6	930 03 621	Cap Screw 3/4"-10 x 4.5" Long, Gr5	8	All
7	910 08 112	Trunnion Bushing - Rubber	4	TR-9750
	900 08 011	Trunnion Bushing - Polyurethane	4	TR-8900
8	910 10 157	Trunnion Cap	4	All
9	910 01 075	Axle Spring Seat, Center Axle, for 5" Dia. Rd. Axle	2	All
	910 01 073	Axle Spring Seat, Center Axle, for 5-3/4" Dia. Rd. Axle	2	All
10	930 04 239	Cap Screw for 1"-8 x 3-1/2", Gr5 for 5" Dia. Rd. Axles	8	All
	930 04 251	Cap Screw 1"-8 x 4-1/2", Gr8 for 5-3/4" Dia. Rd. Axles	8	All
11	910 10 108	Spring Clamp Plate for 5" Dia. Rd. Axles	2	All
	910 10 093	Spring Clamp Plate for 5-3/4" Dia. Rd. Axles	2	All
12	900 41 326	U-Bolt 1"-8 x 11-1/2", Gr8 for 5" Dia. Rd. Axles	4	All
	900 42 814	U-Bolt 1"-8 x 12", Gr8 for 5-3/4" Dia. Rd. Axles	4	All
13	939 00 027	Flat Washer 1"	20	All
14	934 00 502	Lock Nut 1"-8, GrC	20	All
15	930 03 579	Cap Screw 3/4"-10 x 2-3/4", Gr5	16	All
16	936 00 156	Flat Washer 3/4"	32	All
17	934 00 492	Lock Nut 3/4"-10, GrB	28	All
18	934 03 657	Cap Screw 3/4"-10 x 6", Gr5	4	All
19	910 36 078	Pipe Spacer	4	All
20	915 44 138	Radius Rod End (Right Hand) includes item 22	1	All
	915 44 137	Radius Rod End (Left Hand) includes item 22	1	All
21	910 38 475	Radius Rod Screw	1	All
22	900 08 131	Rubber Bushing	4	All
23	932 01 051	Rod Bolt 1-1/8"-7 x 8-1/2"	4	All
24	936 00 174	Flat Washer 1-1/8"	8	All
25	934 00 506	Lock Nut 1-1/8"-7, GrC	4	All
26	910 18 039	Radius Rod Axle Bracket	2	All
27	900 41 807	U-Bolt 1"-8 x 7-1/2", Gr8 for 5" Dia. Rd. Axles	2	All
	900 41 842	U-Bolt 1"-8 x 8", Gr8 for 5-3/4" Dia. Rd. Axles	2	All
28	930 03 345	Cap Screw 5/8"-11 x 2", Gr5	16	All
29	939 00 025	Flat Washer 5/8"	20	All
30	930 03 387	Cap Screw 5/8"-11 x 3-3/4", Gr5	4	All
31	915 44 147	Radius Rod, Fixed (includes 2 of item 22)	1	All
32	934 00 488	Crown Lock Nut 5/8"-11, GrB	20	All
33	910 01 089	Axle Adapter for 5" Dia. Rd. Axles	4	All
	910 01 120	Axle Adapter for 5-3/4" Dia. Rd. Axles	4	All
34	910 28 051	Rubber Wrapper, End Axles for 5" Dia. Rd. Axle	4	All
	910 28 053	Rubber Wrapper, End Axles for 5-3/4" Dia. Rd. Axle	4	All
35	910 28 089	Rubber Pad	4	All
36	910 10 060	Axle Cap for 5" Dia. Rd. Axle	4	All
	910 10 059	Axle Cap for 5-3/4" Dia. Rd. Axle	4	All
37	930 03 941	Cap Screw 7/8"-9 x 9", Gr8	8	All
38	934 00 498	Lock Nut 7/8"-9, GrC	8	All
39	936 00 162	Flat Washer 7/8"	8	All

TR-4100/4121 Series Mechanical Suspension Exploded View



SAF-HOLLAND Group





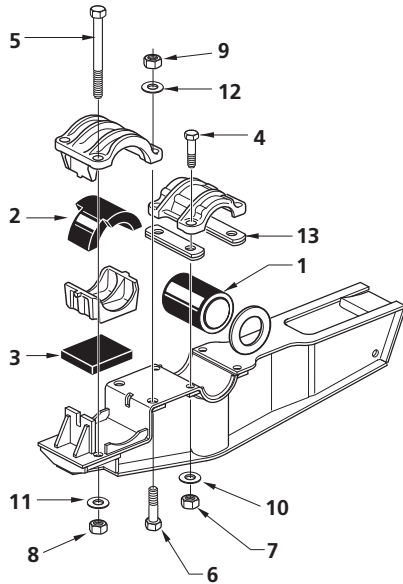
SAF-HOLLAND Group

TR-4100/4120 Series Mechanical Suspension Parts List

ITEM	PART NO.	DESCRIPTION	QTY REQD	MODEL
1	915 57 288	Spring Assembly	4	All
2	910 15 015	Equalizing Beam for 5" Rd. Axles	4	All
	915 15 011	Equalizing Beam for 5-3/4" Rd. Axles	4	All
3*	910 38 290	Trunnion Tube 3-1/2" O.D. x 1/2" Wall x 44-1/4" Long H.T.	3	All
4	915 01 011	Trunnion Clamp Rear	2	All
5	915 18 040	Trunnion Clamp-Front & Center Trunnion (Left Hand)	2	All
	915 18 041	Trunnion Clamp-Front & Center Trunnion (Right Hand)	2	All
6	930 03 621	Cap Screw 3/4"-10 x 4-1/2"	12	All
7	900 09 011	Trunnion Bushing - Rubber	2	TR-4100
	910 08 112	Trunnion Bushing - Polyurethane	2	TR-4120
8	910 10 157	Trunnion Rubber Cap	6	All
9	910 01 075	Axle Spring Seat for 5" Rd. Axles	4	All
	910 01 073	Axle Spring Seat for 5-3/4" Rd. Axles	4	All
10	930 04 253	Cap Screw 1"-8 x 4" for 5-3/4" Rd. Axles	8	All
	930 04 241	Cap Screw 1"-8 x 3-1/2" for 5" Rd. Axles	8	All
11	910 10 108	Spring Clamp Plate for 5" Rd. Axles	4	All
	910 10 093	Spring Clamp Plate for 5-3/4" Rd. Axles	4	All
12	900 41 326	U-Bolt 1"-8 for 5" Rd. Axles	8	All
	900 42 814	U-Bolt 1"-8 for 5-3/4" Rd. Axles	8	All
13	939 00 027	Flat Washer 1"	32	All
14	934 00 502	Lock Nut 1"-8	32	All
15	930 03 585	Cap Screw 3/4"-10 x 3"	24	All
16	936 00 156	Flat Washer 3/4"	36	All
17	934 00 494	Lock Nut 3/4"-10 GrC	44	All
18	930 03 657	Cap Screw 3/4"-10 x 6"	8	All
19	936 00 156	Flat Washer 3/4"	8	All
20	910 36 078	Pipe Spacer	8	All
21	915 44 138	Radius Rod End (Right Hand) includes item 23	1	All
	915 44 137	Radius Rod End (Left Hand) includes item 23	1	All
22	910 38 475	Radius Rod Screw	1	All
23	900 08 131	Rubber Bushing	8	All
24	932 01 051	Rod Bolt 1-1/8"-7 x 8-1/8"	8	All
25	936 00 174	Flat Washer 1-1/8"	16	All
26	934 00 506	Lock Nut 1-1/8"-7	8	All
28	910 18 039	Radius Rod Axle Bracket	4	All
29	900 41 807	U-Bolt 1"-8 for 5" Rd. Axles	4	All
	900 41 842	U-Bolt 1"-8 for 5-3/4" Rd. Axles	4	All
30	930 03 347	Cap Screw 5/8"-11 x 2"	24	All
31	939 00 025	Flat Washer 5/8"	28	All
32	930 03 387	Cap Screw 5/8"-11 x 3-3/4"	4	All
33	934 00 492	Hex Lock Nut 3/4"-10	8	All
34	934 00 490	Crown Lock Nut 5/8"-11	28	All
35	910 01 089	Axle Adapter for 5" Rd. Axles	4	All
	910 01 120	Axle Adapter for 5-3/4" Rd. Axles	4	All
36	910 28 051	Rubber Wrapper for 5" Rd. Axles	4	All
	910 01 053	Rubber Wrapper for 5-3/4" Rd. Axles	4	All
37	910 28 089	Rubber Pad Lower	4	All
38	910 10 060	Axle Cap for 5" Rd. Axles	4	All
	910 10 059	Axle Cap for 5-3/4" Rd. Axles	4	All
39	930 03 941	Cap Screw 7/8"-9 x 9"	8	All
40	934 00 498	Lock Nut 7/8"-9	8	All
41	936 00 162	Flat Washer 7/8"	8	All
42	936 00 035	Washer	6	All
43	915 44 147	Radius Rod - Fixed (includes 2 of item 23) (2nd Axle)	1	All
44	915 44 167	Radius Rod - Fixed (includes 2 of item 23) (2nd Axle)	2	All
45	915 15 123	TR Equalizer Beam Assembly	2	All

*36" Sp. C.

5" Dia. Round Axle



SRK-134

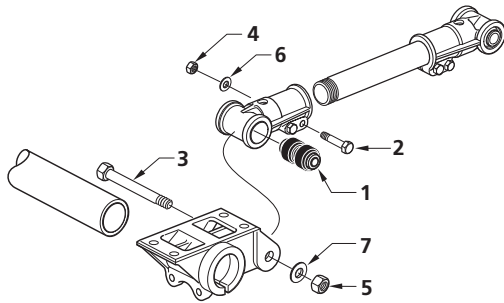
Axle Pads & Trunnion Bushing Replacement 481 00 188

ITEM	DESCRIPTION	PART NO.	QTY
1	Trunnion Bushing - Polyurethane	910 08 112	2
2	Rubber Wrapper	910 28 051	2
3	Rubber Pad	910 28 089	2
4	Cap Screw, 3/4" -10 x 3", GrB	930 03 585	8
5	Cap Screw, 7/8" - 9 x 9", Gr8	930 03 941	4
6	Cap Screw, 1" -8 x 3-1/2", Gr5	930 04 239	4
7	Lock Nut, 3/4" -10, GrC	934 00 494	8
8	Lock Nut, 7/8" -9, GrC	934 00 498	4
9	Lock Nut, 1" -8, GrC	934 00 502	4
10	Washer, 3/4"	936 00 156	8
11	Washer, 7/8"	936 00 162	4
12	Washer, 1"	939 00 027	4
13*	Spacer	910 36 001	4
	Literature Instruction	XL-MS195	1

Used on all TR models, 5" round axles.

NOTE: One (1) SRK required per axle.

* Spacer (910 36 001) not required for fabricated beam made after 1981.



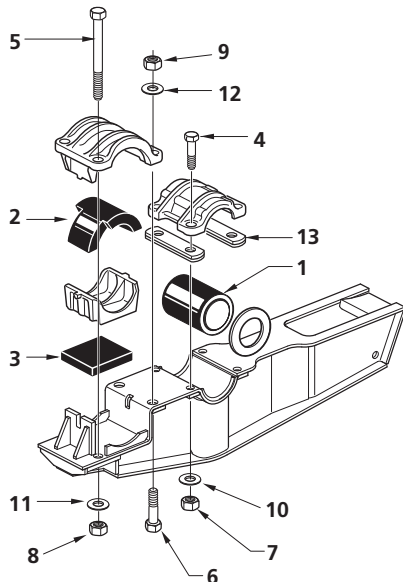
SRK-98 - Radius Rod Bushing Replacement 481 00 146

ITEM	DESCRIPTION	PART NO.	QTY
1	Rubber Bushing	900 08 131	4
2	Hex Head Bolt, 5/8" -11 x 3-1/4"	930 03 387	8
3	Rod Bolt, 1-1/8" -7 x 8-1/2"	932 01 051	4
4	Lock Nut, 5/8" -11	934 00 488	8
5	Lock Nut, 1-1/8" -7	934 00 506	4
6	Washer, 5/8"	936 00 150	8
7	Washer, 1-1/8"	936 00 174	4

Used on all models except TR-8540 and TR-8600.

NOTE: One (1) pair of radius rods.

5" Dia. Round Axle



SRK-100

Axle Pads & Trunnion Bushing Replacement 481 00 149

ITEM	DESCRIPTION	PART NO.	QTY
1	Trunnion Bushing - Polyurethane	910 08 112	2
2	Rubber Wrapper	910 28 053	2
3	Rubber Pad	910 28 089	2
4	Cap Screw, 3/4" -10 x 2-3/4", Gr5	930 03 579	8
5	Cap Screw, 7/8" - 9 x 9", Gr8	930 03 941	4
6	Cap Screw, 1" -8 x 4"	930 04 251	4
7	Lock Nut, 3/4" -10	934 00 492	8
8	Lock Nut, 7/8" -9	934 00 498	4
9	Lock Nut, 1" -8	934 00 502	4
10	Washer, 3/4"	936 00 156	8
11	Washer, 7/8"	936 00 162	4
12	Washer, 1"	939 00 027	4
13*	Spacer	910 36 001	4

Used on all TR models, 5-3/4" round axles.

NOTE: One (1) SRK required per axle.

* Not required for fabricated beam made after 1981.



SAF-HOLLAND Group

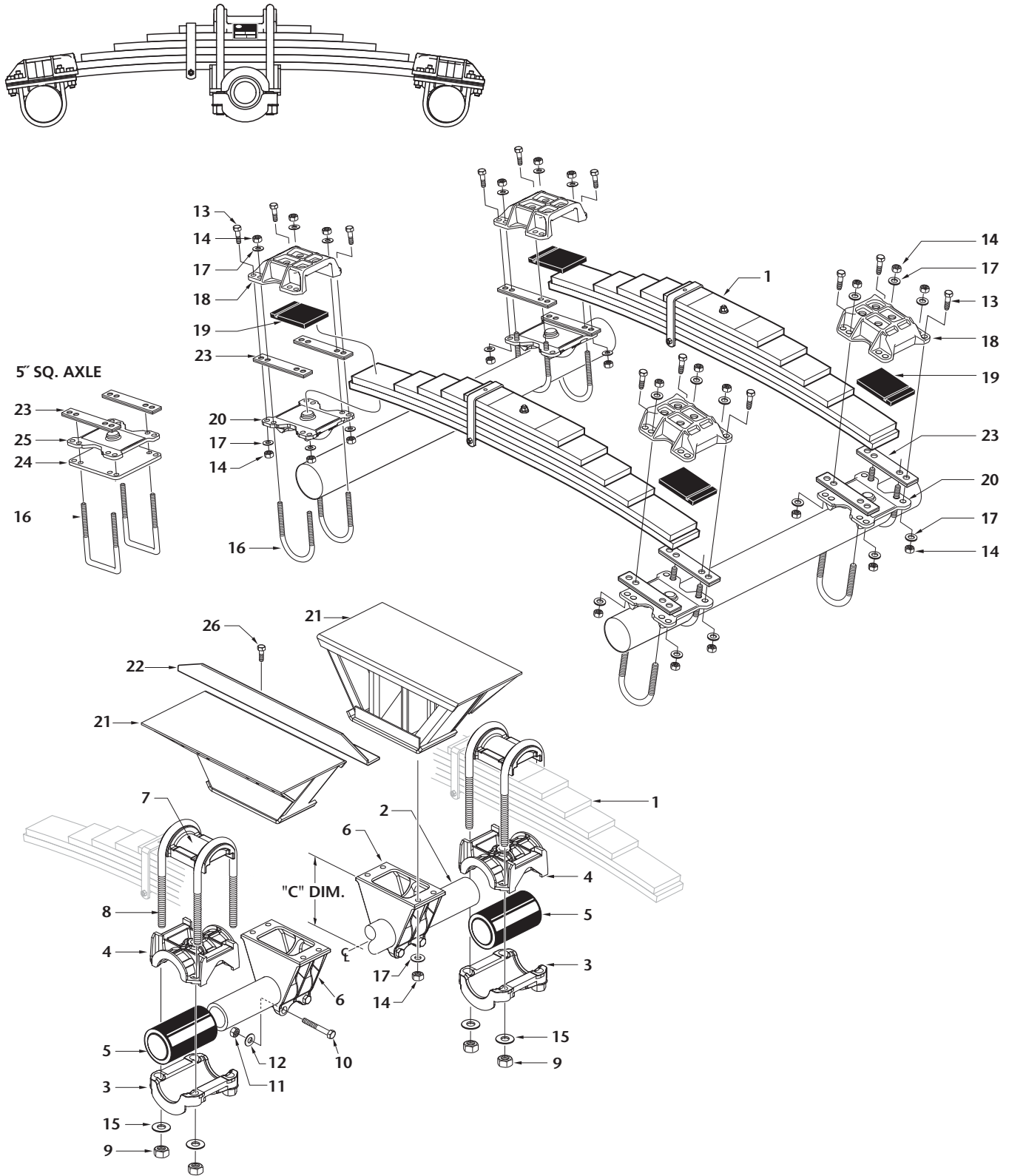
Trailer Mechanical Suspension Parts Reference Guide

THIS PAGE INTENTIONALLY LEFT BLANK

TS Series Mechanical Suspension Exploded View



SAF-HOLLAND Group





SAF-HOLLAND Group

TS Series Mechanical Suspension Parts List

ITEM	PART NO.	DESCRIPTION	QTY REQD	MODEL
1	915 57 293	Spring Assembly, 5-Leaf	2	TS-4440
	915 57 273	Spring Assembly, 5-Leaf	2	TS-5500
	915 57 277	Spring Assembly, 6-Leaf	2	TS-5600
2*	910 38 004	Trunnion Tube 4" O.D. x 1/2" Wall x 48" H.T.	1	TS-4440
	910 38 004	Trunnion Tube 4" O.D. x 1/2" Wall x 48" H.T.	1	TS-5500
	910 38 004	Trunnion Tube 4" O.D. x 1/2" Wall x 48" H.T.	1	TS-5600
3	910 10 047	Trunnion Rubber Cap Casting	2	All
4	910 01 051	Trunnion Spring Seat Casting	2	All
5**	910 08 022	Trunnion Rubber Bushing	2	All
6***	910 01 054	Trunnion Clamp Casting 2-1/2" "C" DIM Model -1	2	All
	910 01 055	Trunnion Clamp Casting 4-1/2" "C" DIM Model -2	2	All
	910 01 056	Trunnion Clamp Casting 6-1/2" "C" DIM Model -3	2	All
	910 01 058	Trunnion Clamp Casting 8-1/2" "C" DIM Model -4	2	All
7	910 10 021	Spring Saddle Casting	2	TS-4440
	910 01 022	Spring Saddle Casting	2	TS-5500
	910 01 022	Spring Saddle Casting	2	TS-5600
8	900 42 796	U-Bolt 1-1/8"-7 x 11" Gr8	4	TS-4440
	900 41 474	U-Bolt 1-1/8"-7 x 13" Gr8	4	TS-5500
	900 41 478	U-Bolt 1-1/8"-7 x 12-1/2" Gr8	4	TS-5600
9	934 00 506	Lock Nut 1-1/8"-7 GrC	8	All
10	930 03 621	Cap Screw 3/4"-10 x 4-1/2" Gr5	4	All
11	934 00 494	Lock Nut 3/4"-10 GrC	4	All
12	936 00 156	Washer 3/4"	4	All
13	930 03 359	Cap Screw 5/8"-11 x 2-1/2", Gr8, 5" & 5-3/4" Rd.	16	All
	930 03 365	Cap Screw 5/8"-11 x 2-3/4", Gr8, 5" Sq. Axle	16	All
14	934 00 490	Lock Nut 5/8"-11, GrC	40	All
15	936 00 174	Washer 1-1/8"	8	All
16	900 41 067	U-Bolt 5/8"-11 x 7-1/2" Gr5, 5" Rd. Axle	8	All
	900 42 064	U-Bolt 5/8"-11 x 9" Gr8, 5-3/4" Rd. Axle	8	All
	900 42 544	U-Bolt 5/8"-11 x 8-1/2" Gr8	8	All
17	939 00 025	Washer H. T. 5/8"	56	All
18	910 10 043	Spring End Cap	4	All
19	910 28 152	Spring End Rubber Pad	4	All
20	910 01 044	Spring End Pad, 5" Rd. Axle	4	All
	910 01 047	Spring End Pad, 5-3/4" Rd. Axle	4	All
	910 01 049	Spring End Pad	4	All
21	910 18 008	Frame Bracket 9-1/4" High Std. (Opt Specify)	2	All
22	910 23 057	Frame Support Angle (Opt Specify)	2	All
23	910 31 570	Spacer	16	TS-4400
	910 31 570	Spacer	16	TS-5500
	910 31 570	Spacer	16	TS-5600
24	915 01 063	Axle Seat, 5" Sq. Axle	4	All
25	910 01 049	End Pad, 5" Sq. Axle	4	All
26	930 03 345	Cap Screw 5/8"-11 x 2", Gr5	8	All
	900 44 236	Torque Decal (Not Shown) XL-MS178	1	All

* Standard 71-1/2" track axle; other tube sizes available.

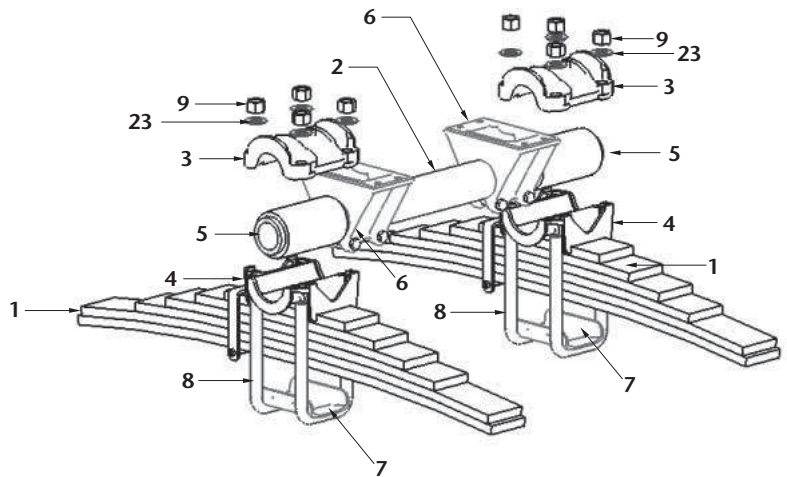
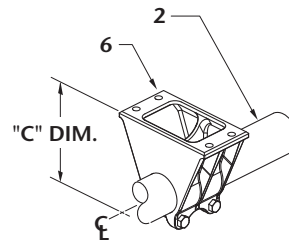
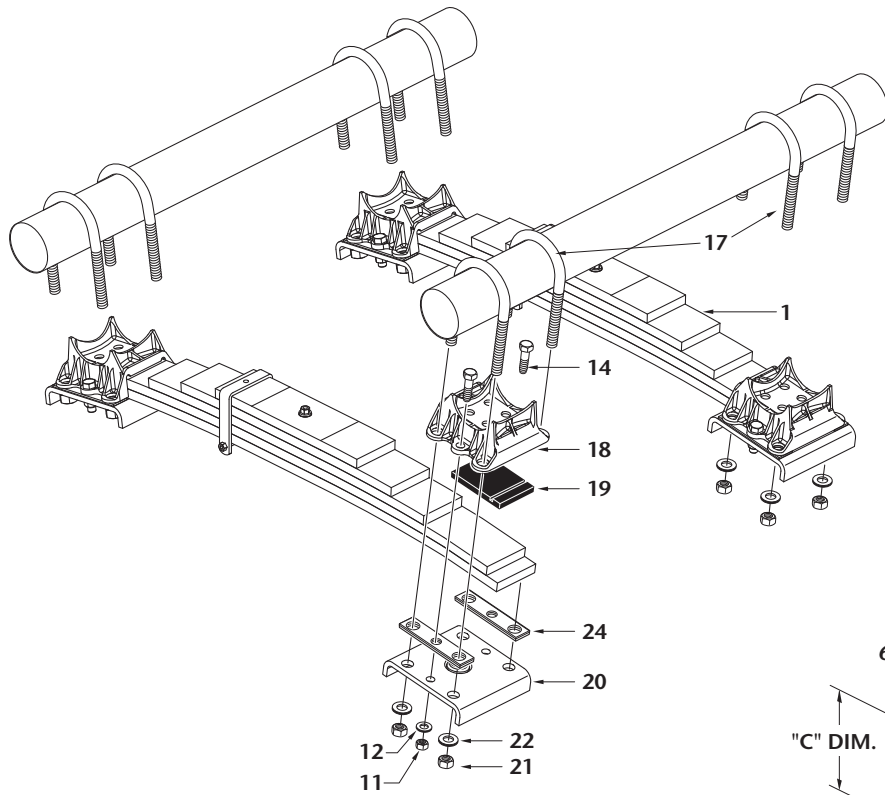
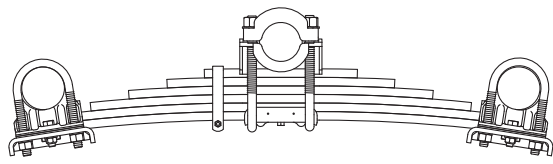
** For fiber bushed units use: 900 08 043 and 900 08 044 fiber, SRK-52-1; 936 00 424 washer flat (4.06).

*** Do not use with item 21. If pin is worn on spring end pad, order SRK25.

USR Series Mechanical Suspension Exploded View



SAF-HOLLAND Group





SAF-HOLLAND Group

USR Series Mechanical Suspension Parts List

ITEM	PART NO.	DESCRIPTION	QTY REQD	MODEL
1	915 57 293	Spring Assembly, 5-Leaf	2	USR-4440
	915 57 273	Spring Assembly, 5-Leaf	2	USR-5500
	915 57 277	Spring Assembly, 6-Leaf	2	USR-5600
2*	910 38 004	Trunnion Tube 4" O.D. x 1/2" Wall x 48" H.T.	1	USR-4440
	910 38 004	Trunnion Tube 4" O.D. x 1/2" Wall x 48" H.T.	1	USR-5500
	910 38 004	Trunnion Tube 4" O.D. x 1/2" Wall x 48" H.T.	1	USR-5600
3	910 10 047	Trunnion Rubber Cap	2	All
4	910 01 051	Trunnion Spring Seat	2	All
5	910 08 022	Trunnion Rubber Bushing	2	All
6	910 01 054	Trunnion Clamp Casting 2-1/2" "C" Dimension	2	All**
	910 01 055	Trunnion Clamp Casting 4-1/2" "C" Dimension	2	All***
	910 01 056	Trunnion Clamp Casting 6-1/2" "C" Dimension	2	All †
	910 01 058	Trunnion Clamp Casting 8-1/2" "C" Dimension	2	All ††
7	910 10 021	Spring Saddle Casting	2	All√
8	900 42 796	U-Bolt 1-1/8"-7 x 11" GR 8	4	USR-4440
	900 41 696	U-Bolt 1-1/8"-7 x 11-1/2" GR 8	4	USR-5500
	900 41 700	U-Bolt 1-1/8"-7 x 12-1/2" GR 8	4	USR-5600
9	934 00 506	Lock Nut 1-1/8"-7 GR C	8	All
10	930 03 621	Cap Screw 3/4"-10 x 4-1/2" GR 5	4	All
11	934 00 494	Lock Nut 3/4"-10 GR C	12	All
12	936 00 156	Washer 3/4"	12	All
13	930 03 345	Cap Screw 5/8"-11 x 2" GR 5	8	All
14	930 03 575	Cap Screw 3/4"-10 x 2-1/2" GR 8	8	All
15	934 00 490	Lock Nut 5/8"-11 GR C	8	All
16	936 00 150	Washer 5/8"	8	All
17	900 41 322	U-Bolt 1-8" x 10" GR 8, 5" Rd. Axle	8	All
	900 41 348	U-Bolt 1-8" x 10-1/2" GR 8, 5-3/4" Rd. Axle	8	USR-4440
	900 41 350	U-Bolt 1-8" x 11" GR 8, 5-3/4" Rd. Axle	8	USR-5500
	900 41 350	U-Bolt 1-8" x 11" GR 8, 5-3/4" Rd. Axle	8	USR-5600
	900 41 969	U-Bolt 1-8" x 10-1/2" GR 8, 5" Sq. Axle	8	All
18	910 10 041	Spring End Cap 5" Rd. Axle	4	All
	910 10 130	Spring End Cap 5-3/4" Rd. Axle	4	All
	910 01 188	Spring End Cap 5" Sq. Axle	4	All
19	910 28 152	Spring End Rubber Pad	4	All
20	910 01 038	Spring End Pad 5" Rd. Axle	4	All
	910 01 050	Spring End Pad 5-3/4" Rd. Axle	4	All
	910 01 182	Spring End Pad 5" Sq. Axle	4	All
21	934 00 502	Lock Nut 1-8" GR C	16	All
22	939 00 027	Washer 1	16	All
23	936 00 174	Washer 1-1/8"	8	All
24	910 31 571	Spacer (5" Rd. Axle and 5" Sq. Axle)	16	USR-4400
	910 31 571	Spacer (5" Rd. Axle and 5" Sq. Axle)	16	USR-5500
	910 31 571	Spacer (5" Rd. Axle and 5" Sq. Axle)	16	USR-5600
	910 31 576	Spacer (5-3/4" Rd. Axle)	8	USR-4400
	910 31 576	Spacer (5-3/4" Rd. Axle)	16	USR-5500
	910 31 576	Spacer (5-3/4" Rd. Axle)	16	USR-5600
25	910 01 181	Spring End Pad (5" Sq. Axle)	4	All
26	910 18 008	Frame Bracket (Not Shown - Opt Specify)	2	All

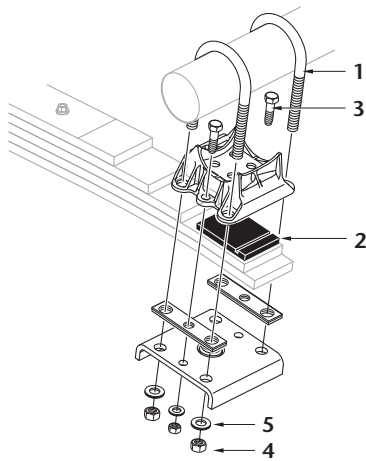
* Other sizes available

** -1 Models

*** -2 Models

† -3 Models

†† -4 Models



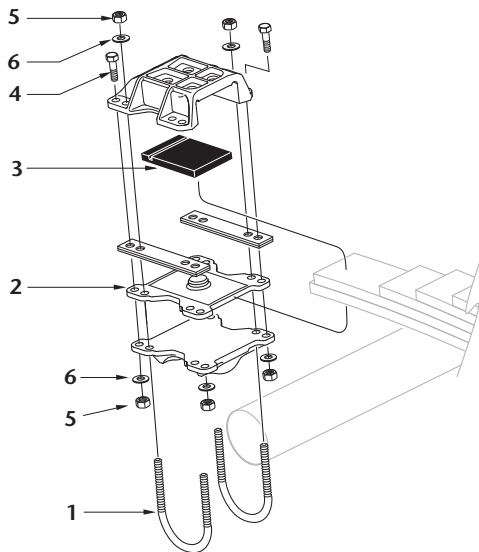
SRK-23 - Axle

481 00 020

ITEM	DESCRIPTION	PART NO.	QTY
1	U-Bolt, 5/8" - 11	900 41 067	4
2	Spring End Rubber Pad	910 28 152	2
3	Hex Head Bolt, 5/8" - 11	930 03 345	8
4	Lock Nut, 5/8" - 11	934 00 490	16
5	Washer, 5/8"	936 00 150	32

Used on all TS models, 5" round axles.

NOTE: One (1) SRK required per axle.



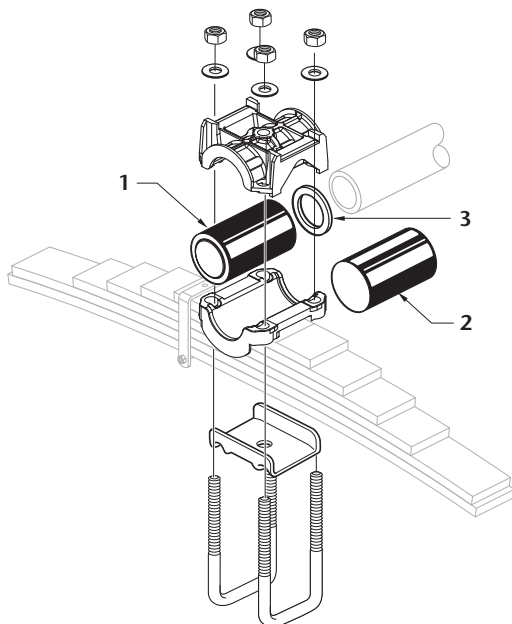
SRK-25 - Axle

481 00 042

ITEM	DESCRIPTION	PART NO.	QTY
1	U-Bolt, 5/8" - 11	900 41 067	4
2	Spring End Pad Casting	910 01 049	2
3	Spring End Rubber Pad	910 28 152	2
4	Cap Screw, 5/8" - 11	930 03 359	8
5	Lock Nut, 5/8" - 11	934 00 490	16
6	Washer, 5/8"	936 00 150	32

Used on all TS models, 5" round axles.

NOTE: One (1) SRK required per axle.



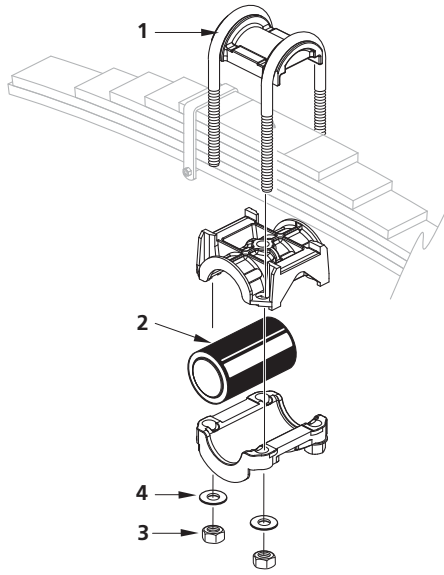
SRK-52-1 - Trunnion

481 00 147

ITEM	DESCRIPTION	PART NO.	QTY
1	Rubber Trunnion Bushing	900 08 043	2
2	Trunnion Fiber Bearing	900 08 044	2
3	Thrust Washer	936 00 424	4

Used on all TS and USR models.

NOTE: One (1) SRK required per axle.



SRK-136 - Trunnion

481 00 190

ITEM	DESCRIPTION	PART NO.	QTY
1	U-Bolt, 1-1/8" - 7	900 42 796	4
2	Rubber Trunnion Bushing	910 08 022	2
3	Lock Nut, 1-1/8" - 7	934 00 506	8
4	Washer, 1-1/8"	936 00 174	8

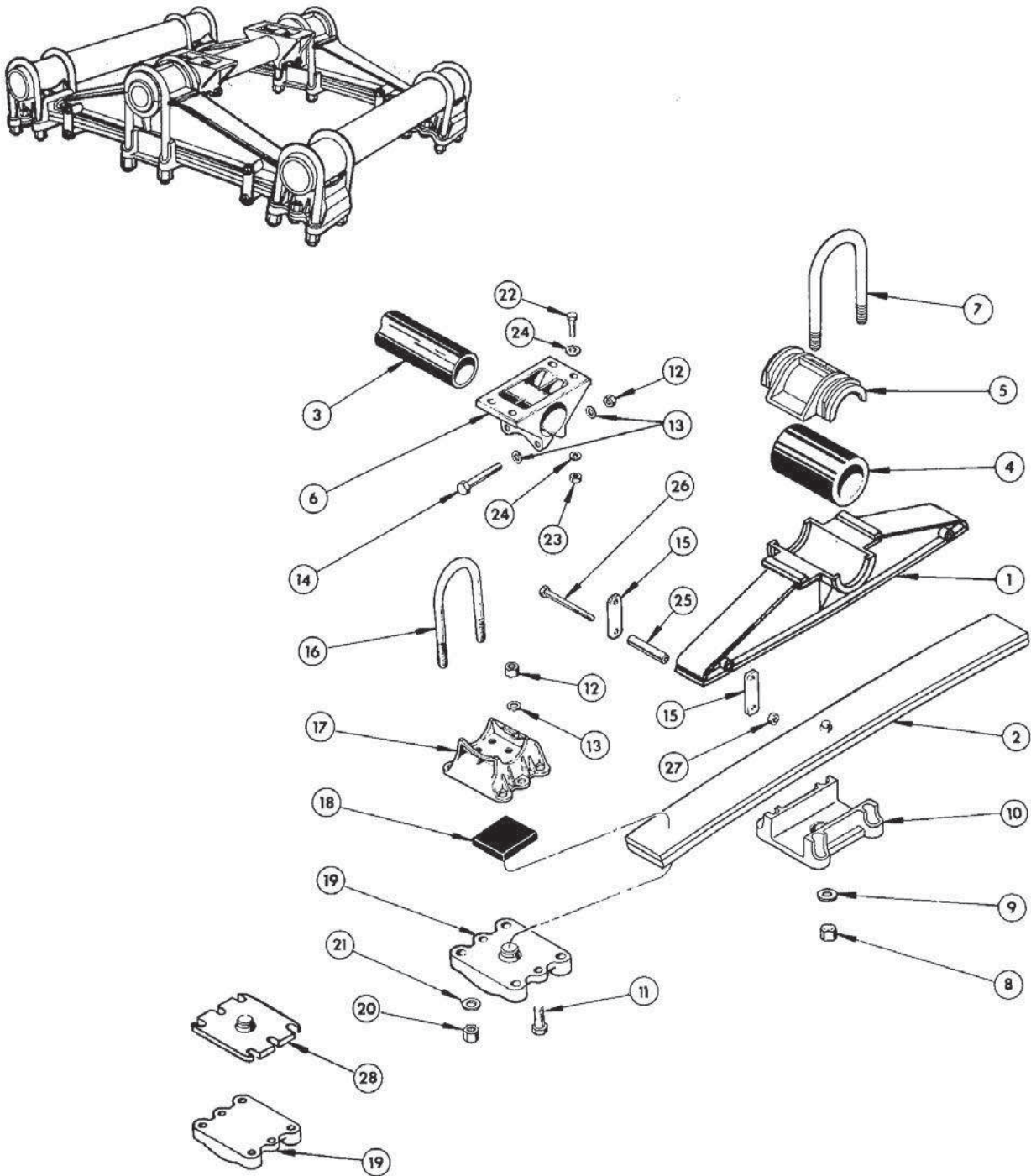
Only used on TS-4440 and USR-4440 models.

NOTE: One (1) SRK required per suspension.

SB-360-B, -500-B, -600-B Spring Beam Exploded View



SAF-HOLLAND Group



5" SQ. AXLE ONLY

DISCONTINUED MODEL SERVICE PARTS ONLY

Please contact Customer Service for part availability
888.396.6501



SB-360-B, -500-B, -600-B Spring Beam Parts List

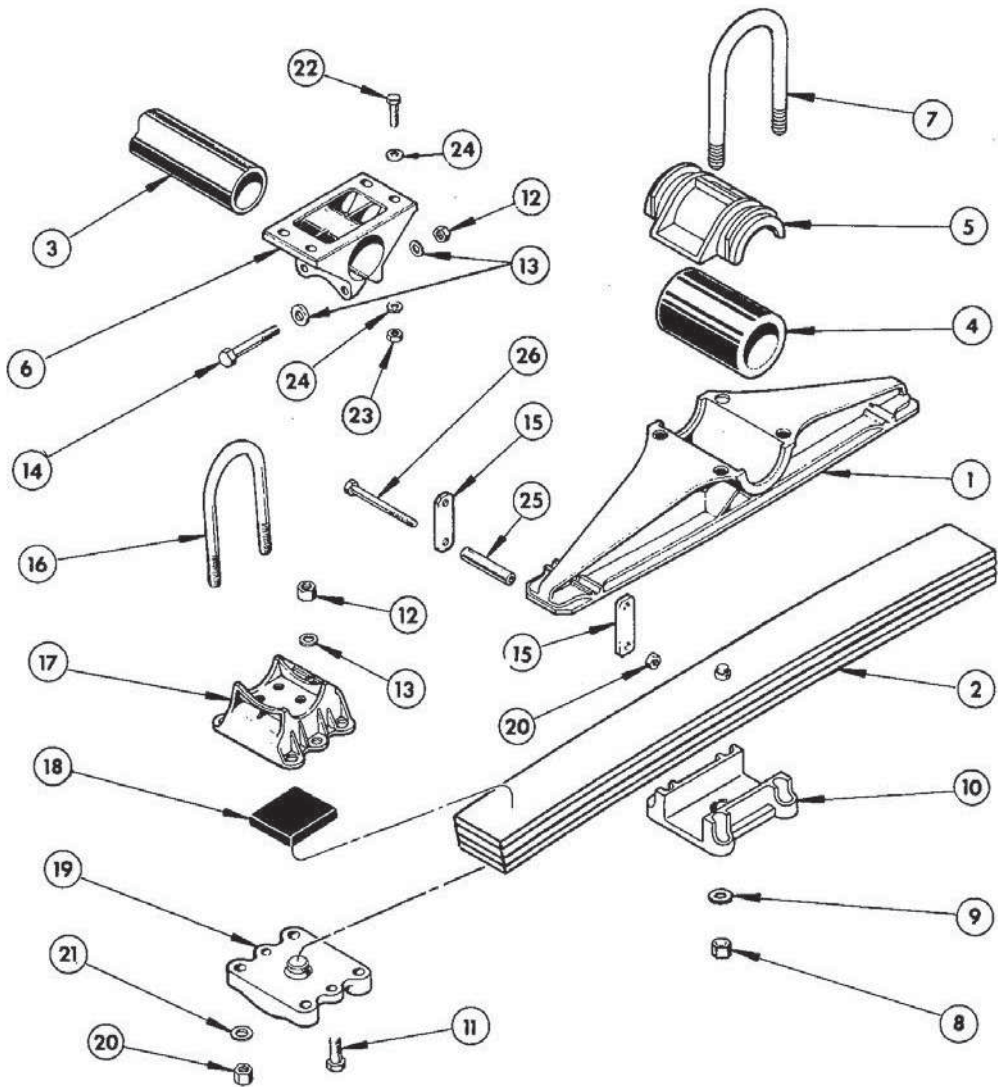
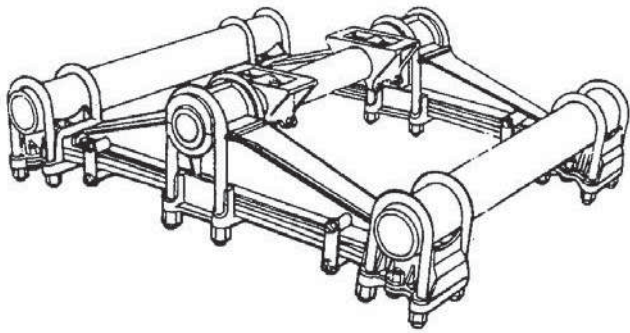
KEY	PART NUMBER	DESCRIPTION	QTY REQ'D	MODEL
SERVICE COMPONENTS				
1	915 15 108	Equalizing Beam	2	All
2	915 57 100	Spring Assembly 2 Leaf	2	SB-360-B, 500-B
	915 57 136	Spring Assembly 2 Leaf	2	SB-600-B
3	910 38 003	Trunnion Tube 4" OD x 1/2" Wall x 48" (Other Sizes Available)	1	SB-360-B
	910 38 004	Trunnion Tube 4" OD x 1/2" Wall x 48" HT (Other Sizes Available)	1	SB-500-B, 600-B
4	910 08 022	Trunnion Rubber Bushing	2	All
5	910 10 089	Trunnion Rubber Cap Casting	2	All
6	910 01 054	Trunnion Clamp Casting	2	All
7	900 41 478	U-Bolt 1-1/8-7 x 14" Gr8	4	All
8	934 00 506	Lock Nut 1-1/8-7 GrC	8	All
9	936 00 174	Washer 1-1/8"	8	All
10	901 01 103	Spring Saddle Casting	2	All
11	930 03 575	Cap Screw 3/4-10 x 12 x 2-1/2" Gr8	8	All
12	934 00 492	Lock Nut 3/4-10 GrB	12	All
13	936 00 156	Washer 3/4"	16	All
14	930 03 621	Cap Screw 3/4-10 x 4-1/2" Gr5	4	All
15	910 23 056	Spring Clip	8	All
16	900 41 324	U-Bolt 1-8 x 10-1/2" Gr8 (5" Round)	8	All
	900 41 350	U-Bolt 1-8 x 11" Gr8 (5-3/4" and 6" Round)	8	SB-500-B, 600-B
	900 41 971	U-Bolt 1-8 x 11" Gr8 (5" Square)	8	All
17	910 10 041	Spring End Cap Casting (5" Round)	4	All
	910 10 130	Spring End Cap Casting (5-3/4" and 6" Round)	4	SB-500-B, 600-B
	910 01 188	Spring End Cap Casting (5" Square)	4	All
18	910 28 153	Spring End Rubber Pad	4	All
19	910 01 038	Spring End Pad Casting (5" Round)	4	All
	910 01 050	Spring End Pad Casting (5-3/4" and 6" Round)	4	SB-500-B, 600-B
	910 01 182	Spring End Pad Casting (5" Square)	4	All
20	934 00 502	Lock Nut 1-8 GrC	16	All
21	939 00 027	Washer 1"	16	All
22	930 03 345	Cap Screw 5/8-11 x 2" Gr5	8	All
23	934 00 488	Lock Nut 5/8-11 GrB	8	All
24	936 00 150	Washer 5/8"	16	All
25	910 36 008	Spring Clip Spacer	4	All
26	930 03 465	Cap Screw 5/8-11 x 7" Gr5	8	All
27	934 00 488	Hex Nut 5/8-11 GrB	8	All
28	910 01 181	Adjustable Spring End Pad (5" Square)	4	All

NOTE: Spring Assemblies should be replaced in pairs.

SB-660-HD-A Spring Beam Exploded View



SAF-HOLLAND Group



**DISCONTINUED MODEL
SERVICE PARTS ONLY**
Please contact Customer Service for part availability
888.396.6501



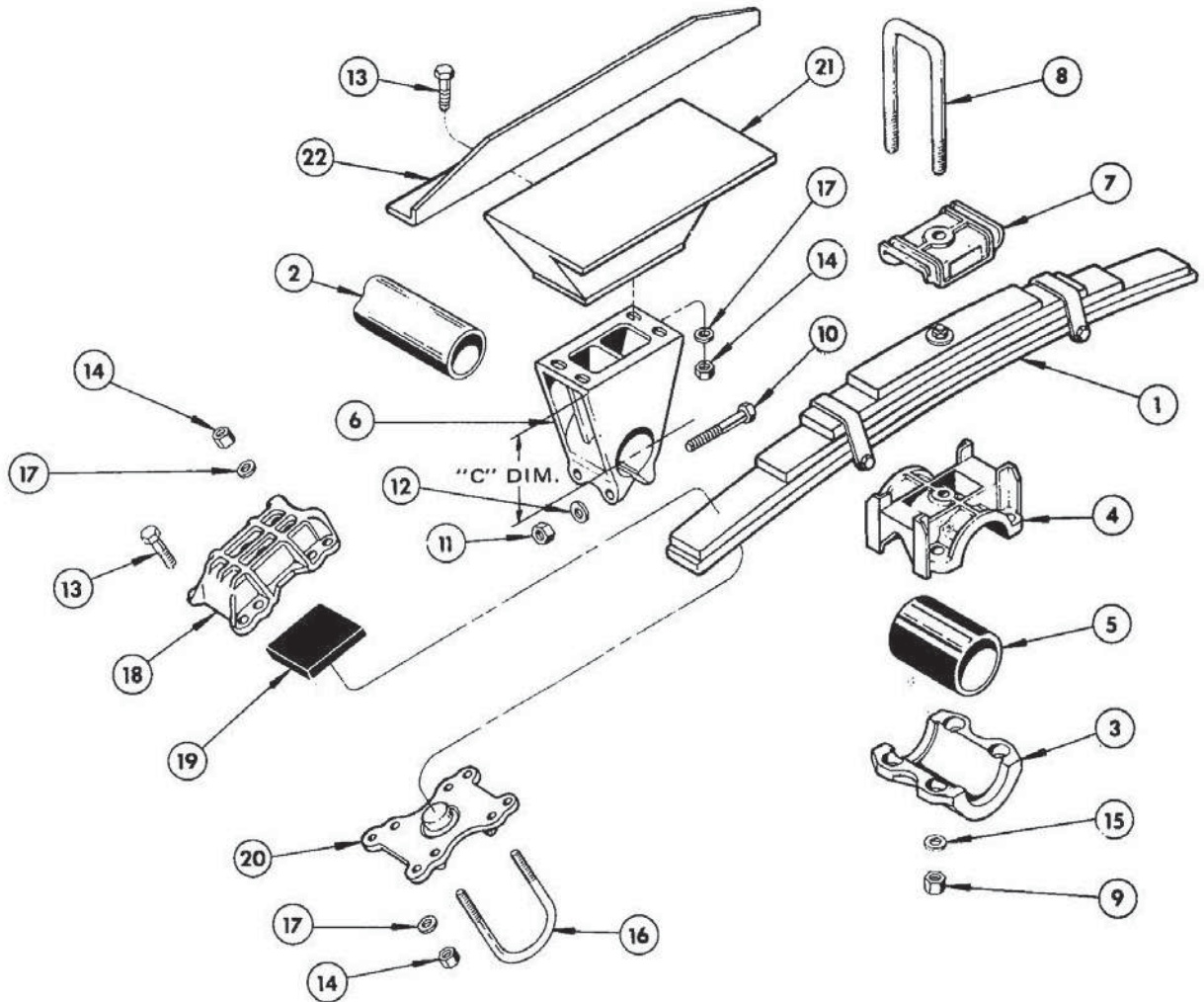
KEY	PART NUMBER	DESCRIPTION	QTY REQ'D	MODEL
SERVICE COMPONENTS				
1	910 15 025	Equalizing Beam	2	All
2	915 57 122	Spring Assembly 4 Leaf	2	All
3	910 38 004	Trunnion Tube 4" OD x 1/2" Wall x 48"HT (Other Siza Available)	1	All
4	910 08 022	Trunnion Rubber Bushing	2	All
5	910 10 089	Trunnion Rubber Cap Casting	2	All
6	910 01 054	Trunnion Clamp Casting	2	All
7	900 41 482	U-Bolt 1-1/8-7 x 15" Gr8	4	All
8	934 00 506	Lock Nut 1-1/8-7 GrC	8	All
9	936 00 030	Washer 1-1/8"	8	All
10	910 01 103	Spring Saddle Casting	2	All
11	930 03 575	Cap Screw 3/4-10 x 2-1/2" Gr8	8	All
12	934 00 492	Lock Nut 3/4010 GrB	12	All
13	936 00 005	Washer 3/4	16	All
14	930 03 633	Cap Screw 3/4-10 x 5" Gr5	4	All
15	910 31 058	Spring Clip	8	All
16	900 41 324	U-Bolt 1-8 x 10-1/2" Gr8 (5" Round)	8	All
	900 41 354	U-Bolt 1-8 x 12" Gr8 (5-3/4" and 6" Round)	8	All
17	910 10 032	Spring End Cap Casting (5" Round)	4	All
	910 10 145	Spring End Cap Casting (5-3/4" and 6" Round)	4	All
18	910 28 153	Spring End Rubber Pad	4	All
19	915 01 008	Spring End Pad Casting (5" Round)	4	All
	915 01 044	Spring End Pad Casting (5-3/4" and 6" Round)	4	All
20	934 00 502	Lock Nut 1-8 GrC	24	All
21	939 00 027	Washer 1"	16	All
22	930 03 345	Cap Screw 5/8-11 x 2" Gr5	8	All
23	934 00 488	Lock Nut 5/8-11 GrB	8	All
24	936 00 150	Washer 5/8"	16	All
25	910 36 007	Spring Clip Spacer	4	All
26	930 04 323	Cap Screw 1-8 x 7" Gr5	8	All

NOTE: Spring Assemblies should be replaced in pairs.

TS-426-A, -432, -436, -442, -536, -542 Two Spring Tandem Exploded View



SAF-HOLLAND Group



DISCONTINUED MODEL SERVICE PARTS ONLY

Please contact Customer Service for part availability
888.396.6501



SAF-HOLLAND Group

TS-426-A, -432, -436, -442, -536, -542 Two Spring Tandem Parts List

KEY	PART NUMBER	DESCRIPTION	QTY REQ'D	MODEL
SERVICE COMPONENTS				
1	N/A	Spring Assembly 5 Leaf - 2 Main Leaf	2	TS-426-A
	N/A	Spring Assembly 5 Leaf - 2 Main Leaf	2	TS-432, 436
	N/A	Spring Assembly 6 Leaf - 3 Main Leaf	2	TS-442
	N/A	Spring Assembly 5 Leaf - 2 Main Leaf	2	TS-536
	N/A	Spring Assembly 6 Leaf - 3 Main Leaf	2	TS-542
2	910 38 003	Trunnion Tube 4" OD x 1/2" Wall x 48" (Other Sizes Available)	1	TS-426-A, 432, 436, 536
	910 38 004	Trunnion Tube 4" OD x 1/2" Wall x 48" HT (Other Sizes Available)	1	TS-442, 542
3	910 10 047	Trunnion Rubber Cap Casting	2	All
4	910 01 051	Trunnion Spring Seat Casting	2	All
5	910 08 022	Trunnion Rubber Bushing	2	All
6	910 01 054	Trunnion Clamp Casting - 2-1/2" "C" Dimension (-1 Models)	2	All
	910 01 055	Trunnion Clamp Casting - 4-1/2" "C" Dimension (-2 Models)	2	All
	910 01 056	Trunnion Clamp Casting - 6-1/2" "C" Dimension (-3 Models)	2	All
	910 01 058	Trunnion Clamp Casting - 8-1/2" "C" Dimension (-4 Models)	2	All
7	910 10 021	Spring Saddle Casting	2	All
8	900 42 796	U-Bolt 1-1/8-7 x 11" Gr8	4	All
9	934 00 506	Lock Nut 1-1/8-7 GrC	8	All
10	930 03 621	Cap Screw 3/4-10 x 4-1/2" Gr5	4	All
11	934 00 492	Lock Nut 3/4-10 GrB	4	All
12	936 00 156	Washer 3/4"	4	All
13	930 03 345	Cap Screw 5/8-11 x 2" Gr5	24	All
14	934 00 490	Lock Nut 5/8-11 GrC	40	All
15	936 00 174	Washer 1-1/8"	8	All
16	900 41 067	U-Bolt 5/8-11 x 7-1/2" Gr5 (5" Round)	8	All
	900 42 061	U-Bolt 5/8-11" x 8-1/2" (5-3/4" and 6" Round)	8	All
17	939 00 025	Washer 5/8"	40	All
18	910 10 043	Spring End Cap Casting	4	TS-426-A, 432, 436, 536
	910 10 038	Spring End Cap Casting	4	TS-442, 542
19	910 28 089	Spring End Rubber Pad	4	TS-426-A
	910 28 152	Spring End Rubber Pad	4	TS-432, 436, 442, 536, 542
20*	910 01 044	Spring End Pad Casting (5" Round)	4	All
	910 01 047	Spring End Pad Casting (5-3/4" and 6" Round)	4	All
21	910 18 008	Frame Bracket	2	All
22	910 23 057	Frame Support Angle	2	All
SERVICE REPAIR KITS				
	481 00 020	SRK-23 - Axle Connection (5" Round)	2	TS-432, 436, 442, 536, 542
**	481 00 042	SRK-25 - Axle Connection (5" Round)	2	TS-432, 436, 442, 536, 542
	481 00 147	SRK-52-1 - Trunnion Connection (TSF Models - Fiber Bushing)	1	All

* If pin is worn on spring end pad, order service replacement pad, P/N 910 01 049.

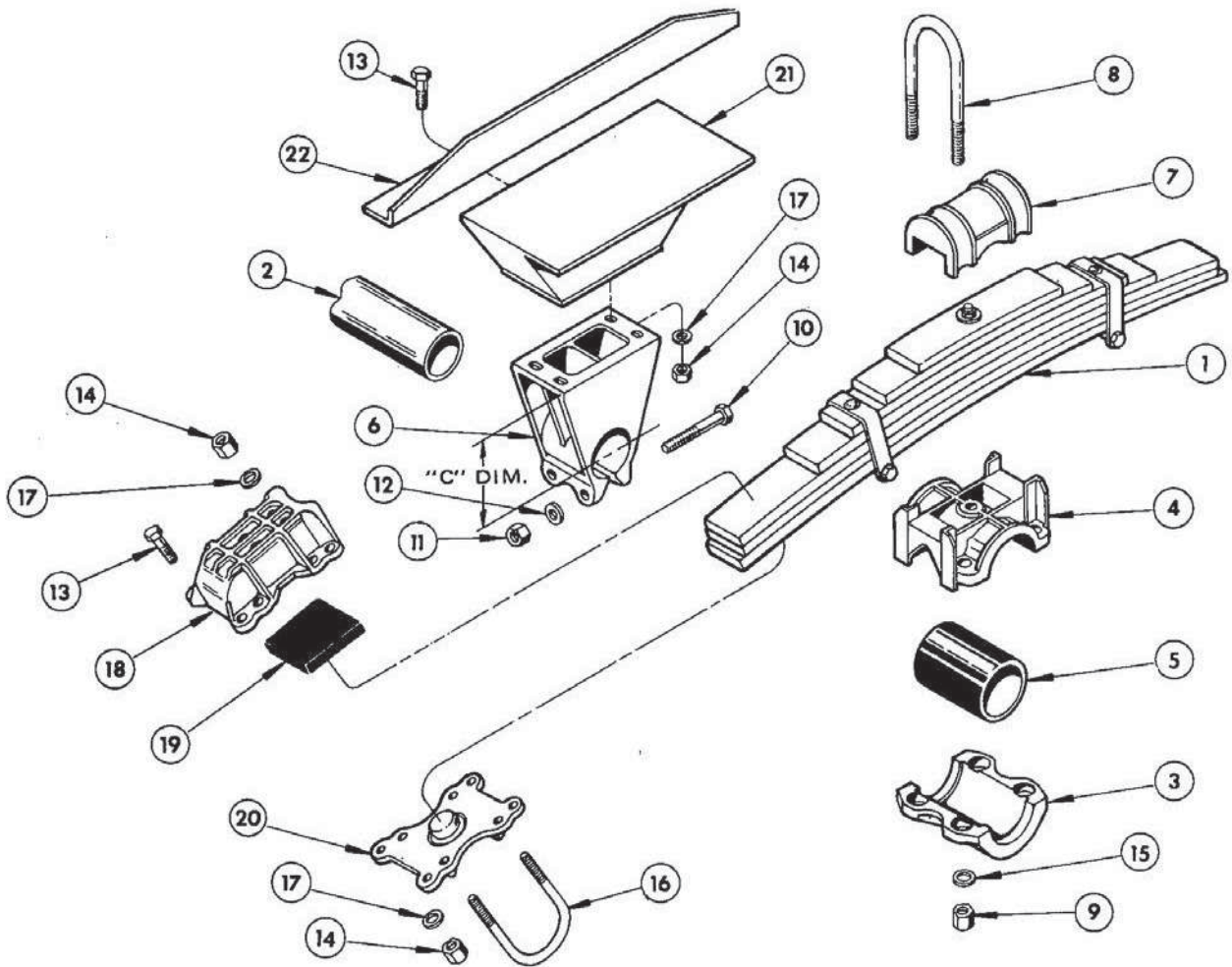
** SRK-25 includes 910 01 049 replacement pad.

NOTE: Spring Assemblies should be replaced in pairs.

TS-550, TS-560 Two Spring Tandem Exploded View



SAF-HOLLAND Group



DISCONTINUED MODEL SERVICE PARTS ONLY

Please contact Customer Service for part availability
888.396.6501



KEY	PART NUMBER	DESCRIPTION	QTY REQ'D	MODEL
SERVICE COMPONENTS				
1	N/A	Spring Assembly 7 Leaf	2	TS-550-2, 3, 4
	N/A	Spring Assembly 9 Leaf	2	TS-560-3, 4
2	910 38 004	Trunnion Tube 4" OD x 1/2" Wall x 48" HT (Other Sizes Available)	1	All
3	910 10 047	Trunnion Rubber Cap Casting	2	All
4	910 01 051	Trunnion Spring Seat Casting	2	All
5	910 08 022	Trunnion Rubber Bushing	2	All
6	910 01 055	Trunnion Clamp Casting - 4-1/2" "C" Dimension (-2 Models)	2	All
	910 01 056	Trunnion Clamp Casting - 6-1/2" "C" Dimension (-3 Models)	2	All
	910 01 058	Trunnion Clamp Casting - 8-1/2" "C" Dimension (-4 Models)	2	All
7	910 01 022	Spring Saddle Casting	2	All
8	900 41 476	U-Bolt 1-1/8-7 x 14" Gr8	4	TS-550-2, 3, 4
	900 41 482	U-Bolt 1-1/8-7 x 15" Gr8	4	TS-560-3, 4
9	934 00 506	Lock Nut 1-1/8-7 GrC	8	All
10	930 03 621	Cap Screw 3/4-10 x 4-1/2" Gr5	4	All
11	934 00 492	Lock Nut 3/4-10 GrB	4	All
12	936 00 156	Washer 3/4"	4	All
13	930 03 345	Cap Screw 5/8-11 x 2" Gr5	24	All
14	934 00 490	Lock Nut 5/8-11 GrC	40	All
15	936 00 174	Washer 1-1/8"	8	All
16	900 41 067	U-Bolt 5/8-11 x 7-1/2" Gr5 (5" Round)	8	All
	900 42 061	U-Bolt 5/8-11 x 8-1/2" Gr5 (5-3/4" and 6" Round)	8	All
17	939 00 025	Washer 5/8"	40	All
18	910 10 038	Spring End Cap Casting	4	All
19	910 28 152	Spring End Rubber Pad	4	All
20*	910 01 044	Spring End Pad Casting (5" Round)	4	All
	910 01 047	Spring End Pad Casting (5-3/4" and 6" Round)	4	All
21	910 18 008	Frame Bracket	2	All
22	910 23 057	Frame Support Angle	2	All
SERVICE REPAIR KITS				
	481 00 020	SRK-23 - Axle Connection (5" Round)	2	TS-432, 436, 442, 536, 542
**	481 00 042	SRK-25 - Axle Connection (5" Round)	2	TS-432, 436, 442, 536, 542
	481 00 147	SRK-52-1 - Trunnion Connection (TSF Models - Fiber Bushing)	1	All

* If pin is worn on spring end pad, order service replacement pad, P/N 910 01 049.

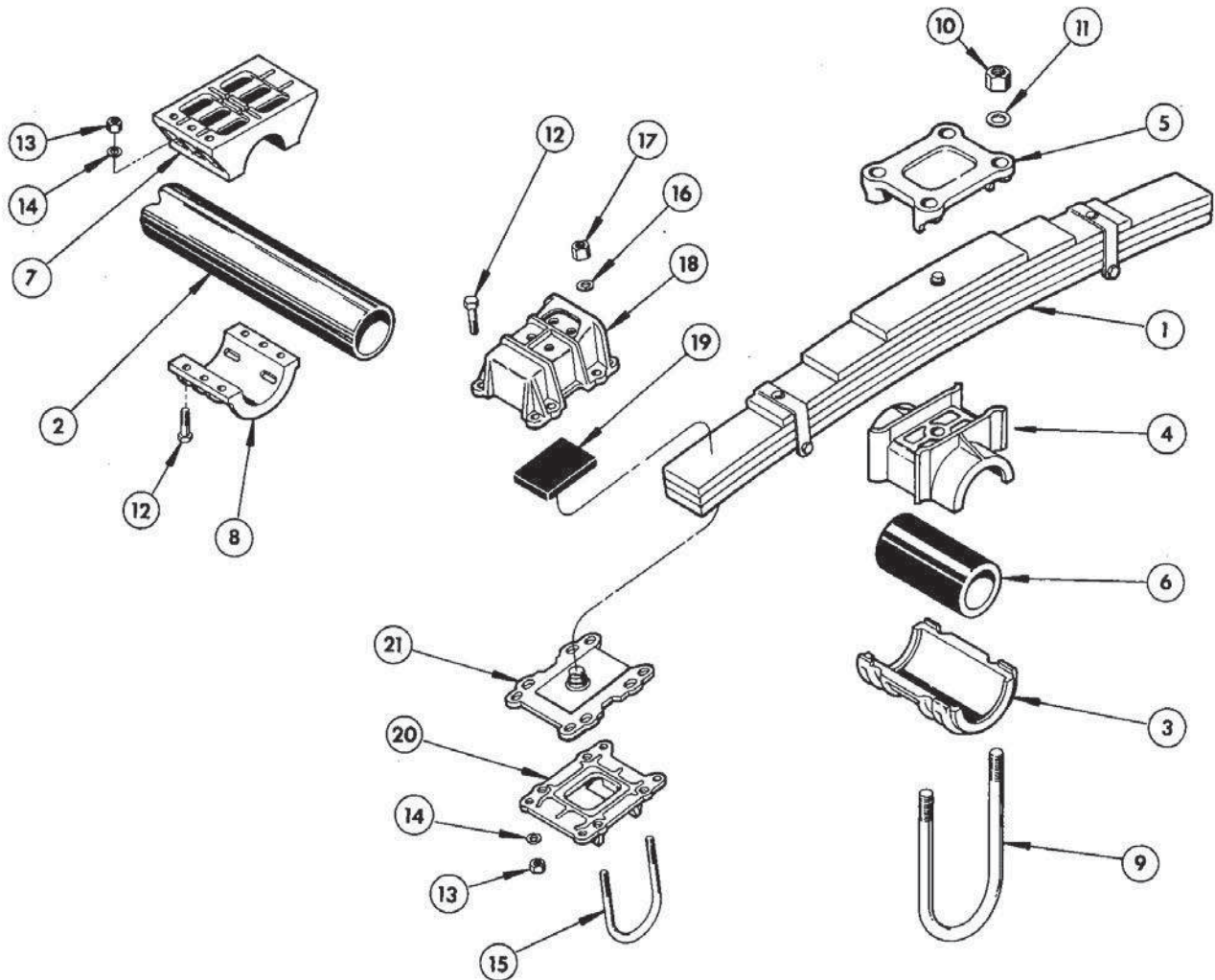
** SRK-25 includes 910 01 049 replacement pad.

NOTE: Spring Assemblies should be replaced in pairs.

TS-660, -680, -6100, -660-A, -680-A, -6100-A
Two Spring Tandem Exploded View



SAF-HOLLAND Group



**DISCONTINUED MODEL
SERVICE PARTS ONLY**

Please contact Customer Service for part availability
888.396.6501



SAF-HOLLAND Group

TS-660, -680, -6100, -660-A, -680-A, -6100-A Two Spring Tandem Parts List

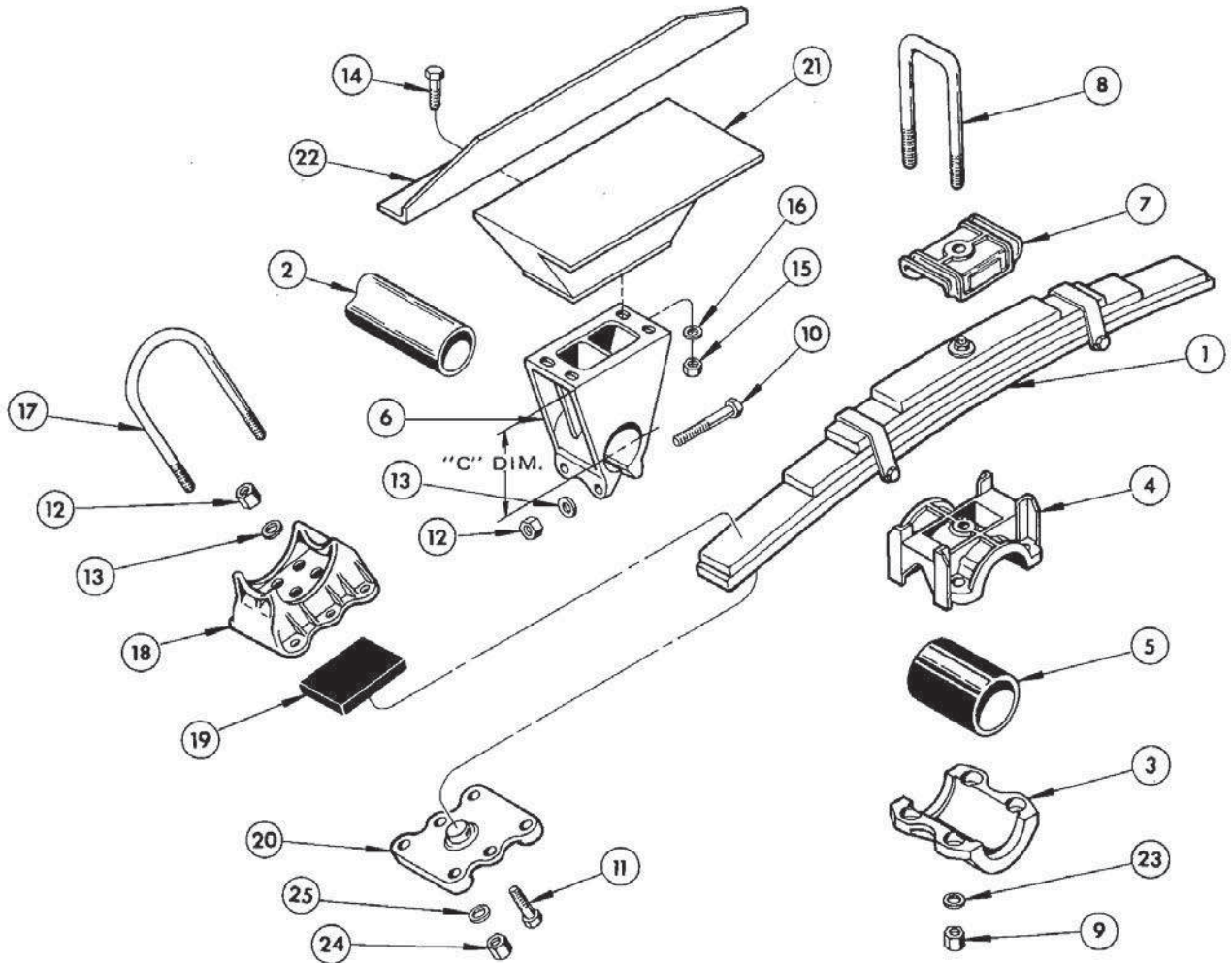
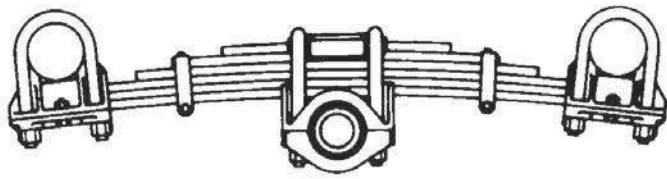
KEY	PART NUMBER	DESCRIPTION	QTY REQ'D	MODEL
SERVICE COMPONENTS				
1	915 57 270	Spring Assembly 6 Leaf	2	TS-660, 660-A
	915 57 244	Spring Assembly 8 Leaf	2	TS-680, 680-A
	915 57 245	Spring Assembly 10 Leaf	2	TS-6100, 6100-A
2	910 38 418	Trunnion Tube 6" OD x 1" Wall x 53-1/2" (Other Sizes Available)	1	All
3	910 10 066	Trunnion Cap	2	All
4	910 01 087	Trunnion Spring Seat	2	All
5	910 10 158	Trunnion U-Bolt Plate	2	All
6	910 08 036	Trunnion Rubber Bushing	2	All
7	910 18 027	Trunnion Frame Mounting Bracket	2	All
8	910 10 113	Trunnion Mounting Cap	2	All
9	900 41 518	U-Bolt 1-1/2-6 x 20" Gr8	4	TS-660, 660-A
	900 41 522	U-Bolt 1-1/2-6 x 21" Gr8	4	TS-680, 680-A
	900 41 532	U-Bolt 1-1/2-6 x 23-1/2" Gr8	4	TS-6100, 6100-A
10	934 00 518	Lock Nut 1-1/2-6 GrC	8	All
11	936 00 192	Washer 1-1/2"	8	All
12	930 03 585	Cap Screw 3/4-10 x 3" Gr5	28	All
13	934 00 492	Lock Nut 3/4-10 GrB	28	All
14	936 00 156	Washer 3/4"	28	All
15	900 41 272	U-Bolt 7/8-9 x 9-1/2" Gr8	8	All
16	936 00 162	Washer 7/8"	16	All
17	934 00 498	Lock Nut 7/8-9 GrC	16	All
18	910 10 065	Spring End Cap	4	All
19	910 28 057	Spring End Rubber Pad	4	All
20	910 01 084	Spring End Seat (5" Round)	4	All
	910 01 086	Spring End Seat (5-3/4" and 6" Round)	4	All
21	910 31 055	Axle Adapter Spring Seat	4	All

NOTE: Spring Assemblies should be replaced in pairs.

US-426-A, -432, -436, -442, -536, -542 Two Spring Tandem Exploded View



SAF-HOLLAND Group



**DISCONTINUED MODEL
SERVICE PARTS ONLY**
Please contact Customer Service for part availability
888.396.6501



SAF-HOLLAND Group

US-426-A, -432, -436, -442, -536, -542 Two Spring Tandem Parts List

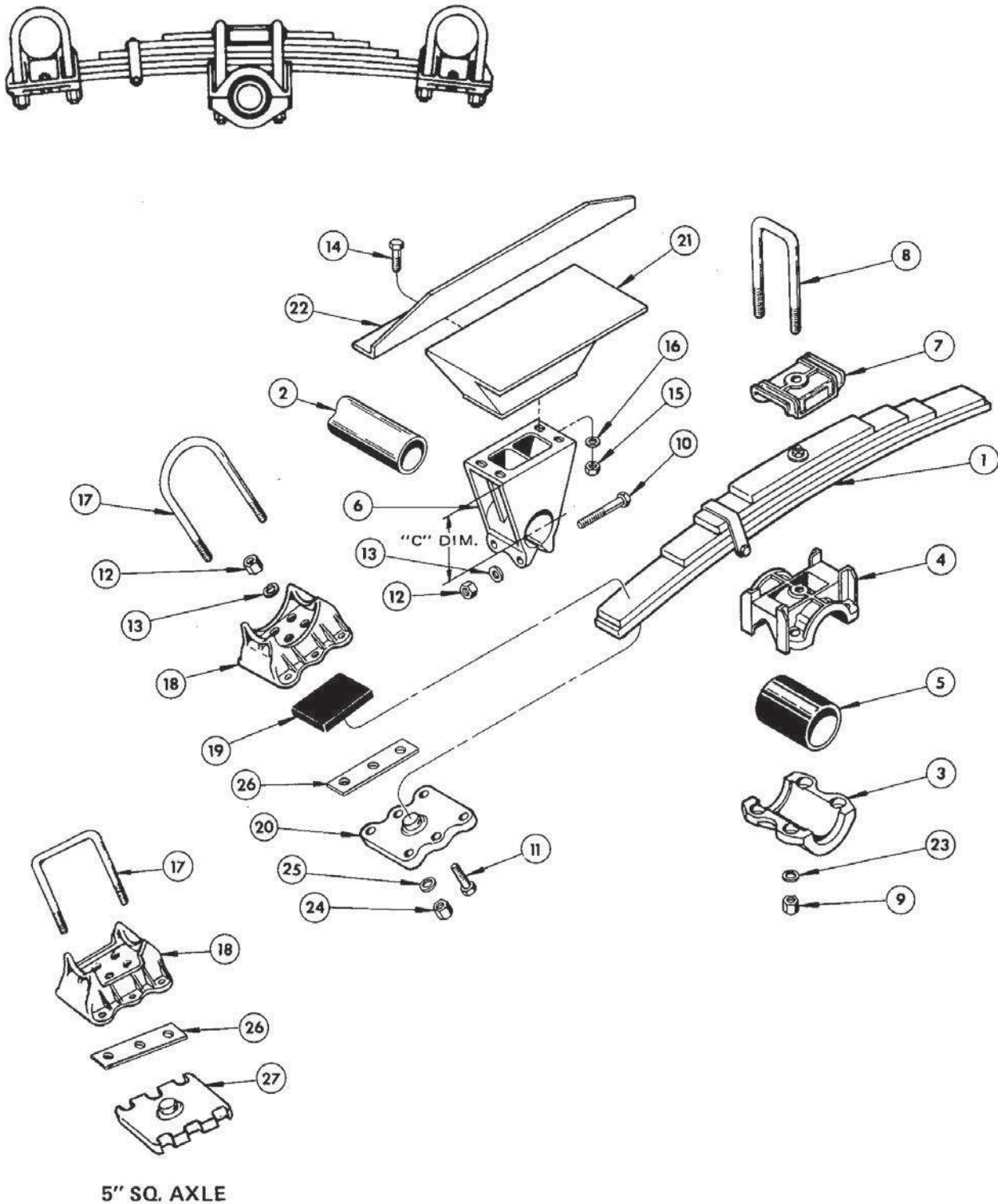
KEY	PART NUMBER	DESCRIPTION	QTY REQ'D	MODEL
SERVICE COMPONENTS				
1	N/A	Spring Assembly 5 Leaf - 2 Main Leaf	2	US-426-A
	915 57 016	Spring Assembly 5 Leaf - 2 Main Leaf	2	US-432, 436
	915 57 017	Spring Assembly 6 Leaf - 3 Main Leaf	2	US-442
	915 57 018	Spring Assembly 5 Leaf - 2 Main Leaf	2	US-536
	915 57 019	Spring Assembly 6 Leaf - 3 Main Leaf	2	US-542
2	910 38 003	Trunnion Tube 4" OD x 1/2" Wall x 48" (Other Sizes Available)	1	US-426-A, 432, 436, 536
	910 38 004	Trunnion Tube 4" OD x 1/2" Wall x 48" HT (Other Sizes Available)	1	US-442, 542
3	910 10 047	Trunnion Rubber Cap Casting	2	All
4	910 01 051	Trunnion Spring Seat Casting	2	All
5	910 08 022	Trunnion Rubber Bushing	2	All
6	910 01 054	Trunnion Clamp Casting - 2-1/2" "C" Dimension (-1 Models)	2	All
	910 01 055	Trunnion Clamp Casting - 4-1/2" "C" Dimension (-2 Models)	2	All
	910 01 056	Trunnion Clamp Casting - 6-1/2" "C" Dimension (-3 Models)	2	All
	910 01 058	Trunnion Clamp Casting - 8-1/2" "C" Dimension (-4 Models)	2	All
7	910 10 021	Spring Saddle Casting	2	All
8	900 42 796	U-Bolt 1-1/8-7 x 11" Gr8	4	All
9	934 00 506	Lock Nut 1-1/8"-7 GrC	8	All
10	930 03 621	Cap Screw 3/4-10 x 4-1/2" Gr5	4	All
11	930 03 575	Cap Screw 3/4-10 x 2-1/2" Gr8	8	All
12	934 00 492	Lock Nut 3/4-10 GrB	12	All
13	936 00 156	Washer 3/4"	12	All
14	930 03 345	Cap Screw 5/8-11 x 2" Gr5	8	All
15	934 00 490	Lock Nut 5/8-11 GrC	8	All
16	939 00 025	Washer 5/8	8	All
17	900 41 324	U-Bolt 1-8 x x 10"-1/2" Gr8 (5" Round)	8	All
	900 41 353	U-Bolt 1-8 x 12" Gr8 (5-3/4" and 6" Round)	8	US-442, 542
18	910 10 041	Spring End Cap Casting (5" Round)	4	US-426-A, 432, 436, 536
	910 10 033	Spring End Cap Casting (5" Round)	4	US-442, 542
	910 10 034	Spring End Cap Casting (5-3/4" and 6" Round)	4	US-442, 542
19	910 28 089	Spring End Rubber Pad	4	US-426-A
	910 28 152	Spring End Rubber Pad	4	US-432, 436, 442, 536, 542
20	910 01 038	Spring End Pad Casting (5" Round)	4	All
	910 01 050	Spring End Pad Casting (5-3/4" and 6" Round)	4	All
21	910 18 008	Frame Bracket	2	All
22	910 23 057	Frame Support Angle	2	All
23	936 00 174	Washer 1-1/8"	8	All
24	934 00 502	Lock Nut 1-8 GrC	16	All
25	936 00 168	Washer 1"	16	All

NOTE: Spring Assemblies should be replaced in pairs.

US-4360, -4400 Two Spring Tandem Exploded View



SAF-HOLLAND Group



**DISCONTINUED MODEL
SERVICE PARTS ONLY**
Please contact Customer Service for part availability
888.396.6501



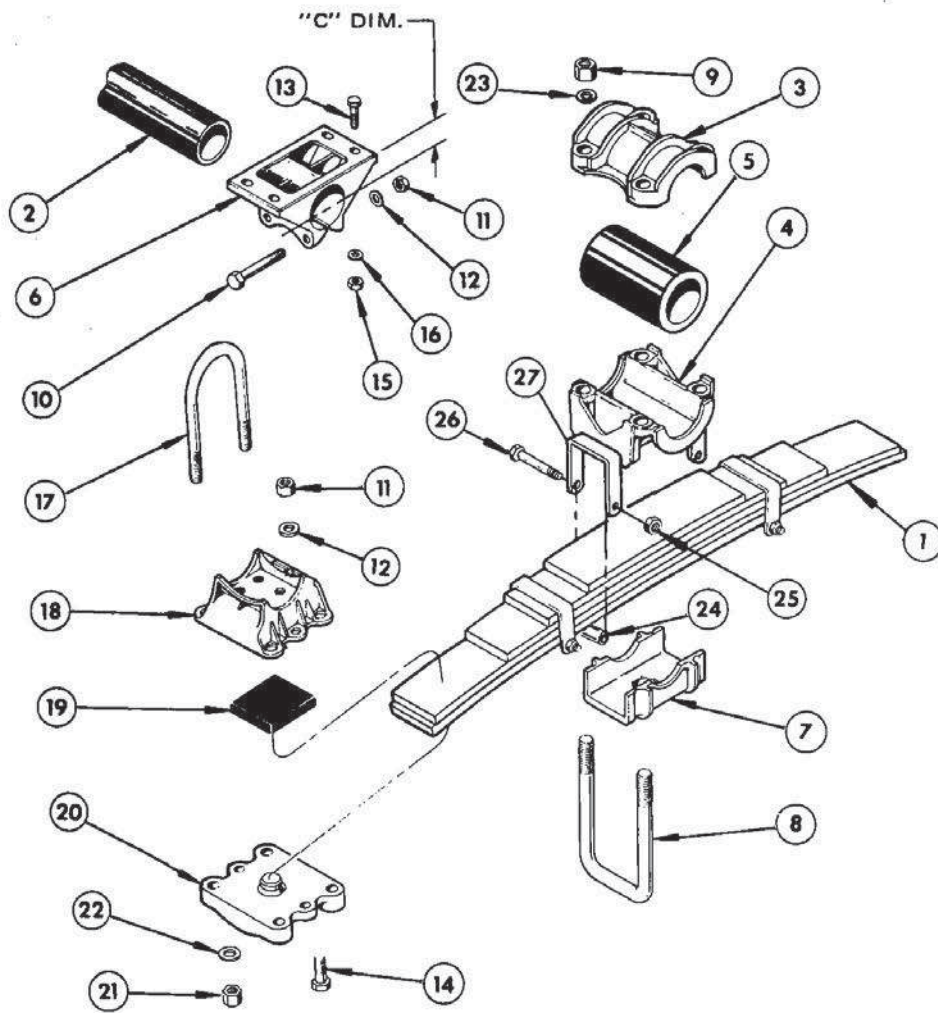
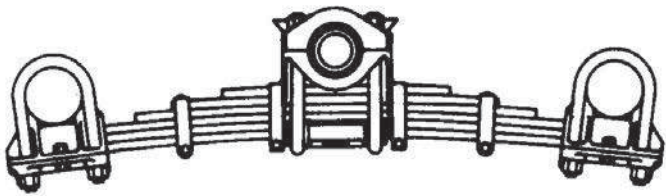
KEY	PART NUMBER	DESCRIPTION	QTY REQ'D	MODEL
SERVICE COMPONENTS				
1	915 57 271	Spring Assembly 4 Leaf	2	US-4360
	915 57 272	Spring Assembly 5 Leaf	2	US-4440
2	910 38 003	Trunnion Tube 4" OD x 1/2" Wall x 48" (Other Sizes Available)	1	US-4360
	910 38 004	Trunnion Tube 4" OD x 1/2" Wall x 48" HT (Other Sizes Available)	1	US-4440
3	910 10 047	Trunnion Rubber Cap	2	All
4	910 01 051	Trunnion Spring Seat	2	All
5	910 08 022	Trunnion Rubbr Bushing	2	All
6	910 01 054	Trunnion Clamp Casting - 2-1/2" "C" Dimension (-1 Models)	2	All
	910 01 055	Trunnion Clamp Casting - 4-1/2" "C" Dimension (-2 Models)	2	All
	910 01 056	Trunnion Clamp Casting - 6-1/2" "C" Dimension (-3 Models)	2	All
	910 01 058	Trunnion Clamp Casting - 8-1/2" "C" Dimension (-4 Models)	2	All
7	910 10 021	Spring Saddle Casting	2	All
8	900 41 690	U-Bolt 1-1/8-7 x 10" Gr8	4	All
	900 42 796	U-Bolt 1-1/8-7 x 11" Gr8	4	All
9	934 00 506	Lock Nut 1-1/8-7 GrC	8	All
10	930 03 621	Cap Screw 3/4-10 x 4-1/2" Gr5	4	All
11	930 03 575	Cap Screw 3/4-10 x 2-1/2" Gr8	8	All
12	934 00 494	Lock Nut 3/4-10 GrC	12	All
13	936 00 156	Washer 3/4"	12	All
14	930 03 345	Cap Screw 5/8-11 x 2" Gr5	8	All
15	934 00 490	Lock Nut 5/8-11 GrC	8	All
16	936 00 150	Washer 5/8"	8	All
17	900 41 322	U-Bolt 1-8 x 10" Gr8 (5" Round)	8	All
	900 41 348	U-Bolt 1-8 x 10-1/2" Gr8 (5-3/4" Round)	8	All
	900 41 969	U-Bolt 1-8 x 10-1/2" Gr8 (5" Square)	8	All
18	910 10 041	Spring End Cap (5" Round)	4	All
	910 10 130	Spring End Cap (5-3/4" Round)	4	All
	910 01 188	Spring End Cap (5" Square)	4	All
19	910 28 152	Spring End Rubber Pad	4	All
20	910 01 038	Spring End Pad (5" Round)	4	All
	910 01 050	Spring End Pad (5-3/4" Round)	4	All
	910 01 182	Spring End Pad (5" Square)	4	All
21	910 18 008	Frame Bracket	2	All
22	910 23 057	Frame Support Angle	2	All
23	936 00 174	Washer 1-1/8"	8	All
24	934 00 502	Lock Nut 1-8 GrC	16	All
25	939 00 027	Washer 1"	16	All
26	910 31 571	Spacer (5" Round and Square)	8	All
	910 31 576	Spacer (5-3/4" Round)	8	All
27	910 01 181	Spring End Pad (5" Square)	4	All

NOTE: Spring Assemblies should be replaced in pairs.

USR-426-A, -432, -436, -442 Two Spring Tandem Exploded View



SAF HOLLAND Group



**DISCONTINUED MODEL
SERVICE PARTS ONLY**
Please contact Customer Service for part availability
888.396.6501



USR-426-A, -432, -436, -442 Two Spring Tandem Parts List

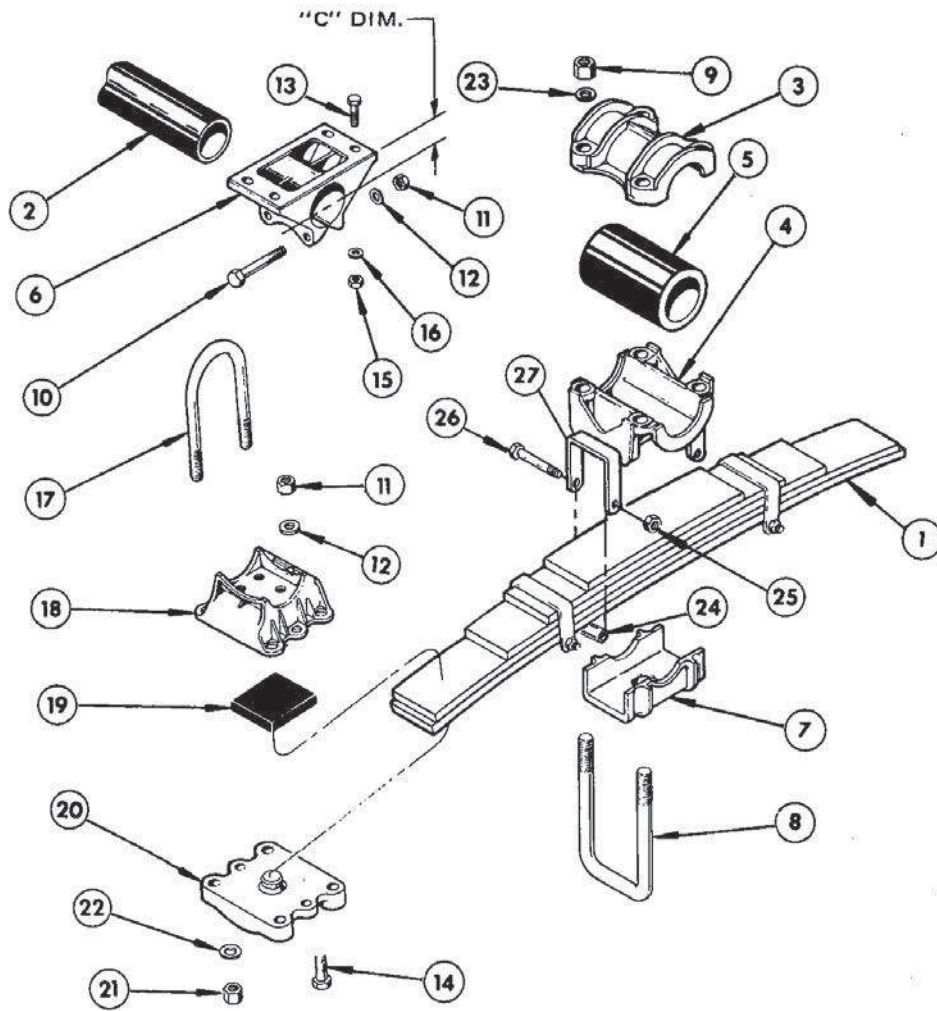
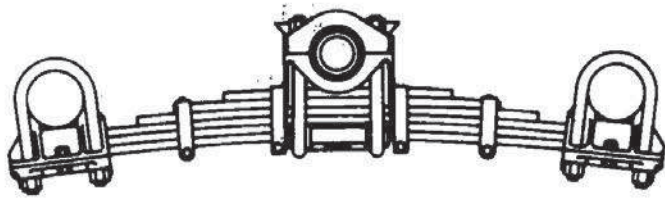
KEY	PART NUMBER	DESCRIPTION	QTY REQ'D	MODEL
SERVICE COMPONENTS				
1	N/A	Spring Assembly 5 Leaf - 2 Main Leaf	2	USR-426-A
	915 57 016	Spring Assembly 5 Leaf - 2 Main Leaf	2	USR-432, 436
	915 57 017	Spring Assembly 6 Leaf - 3 Main Leaf	2	USR-442
2	910 38 003	Trunnion Tube 4" OD x 1/2" Wall x 48" (Other Sizes Available)	1	USR-426-A, 432, 436
	910 38 004	Trunnion Tube 4" OD x 1/2" Wall x 48" HT (Other Sizes Available)	1	USR-442
3	910 10 047	Trunnion Rubber Cap	2	All
4	915 01 035	Trunnion Spring Seat (Includes Key #27)	2	USR-426-A, 432
	915 01 036	Trunnion Spring Seat (Includes Key #27)	2	USR-436
	915 01 037	Trunnion Spring Seat (Includes Key #27)	2	USR-442
5	910 08 022	Trunnion Rubber Bushing	2	All
6	910 01 054	Trunnion Clamp Casting - 2-1/2" "C" Dimension (-1 Models)	2	All
	910 01 055	Trunnion Clamp Casting - 4-1/2" "C" Dimension (-2 Models)	2	All
	910 01 056	Trunnion Clamp Casting - 6-1/2" "C" Dimension (-3 Models)	2	All
	910 01 058	Trunnion Clamp Casting - 8-1/2" "C" Dimension (-4 Models)	2	All
7	910 01 021	Spring Saddle Casting	2	All
8	900 42 796	U-Bolt 1-1/8-7 x 11" Gr8	4	All
9	934 00 506	Lock Nut 1-1/8-7 GrC	8	All
10	930 03 621	Cap Screw 3/4-10 x 4-1/2" Gr5	4	All
11	934 00 492	Lock Nut 3/4-10 GrB	12	All
12	936 00 156	Washer 3/4"	12	All
13	930 03 345	Cap Screw 5/8-11 x 2" Gr5	8	All
14	930 03 575	Cap Screw 3/4-10 x 2-1/2" Gr8	8	All
15	934 00 488	Lock Nut 5/8-11 GrB	8	All
15	936 00 150	Washer 5/8"	8	All
17	900 41 324	U-Bolt 1-8 x 10-1/2" Gr8 (5" Round)	8	All
	900 41 354	U-Bolt 1-8 x 12" Gr8 (5-3/4" and 6" Round)	8	USR-442
18	910 10 041	Spring End Cap Casting (5" Round)	4	USR-426-A, 432, 436
	910 10 033	Spring End Cap Casting (5" Round)	4	USR-442
	910 10 034	Spring End Cap Casting (5-3/4" and 6" Round)	4	USR-442
19	910 28 089	Spring End Rubber Pad	4	USR-426-A
	910 28 152	Spring End Rubber Pad	4	USR-432, 436, 442
20	910 01 038	Spring End Pad (5" Round)	4	All
	910 01 050	Spring End Pad (5-3/4" and 6" Round)	4	All
21	934 00 502	Lock Nut 1-8 GrC	16	All
22	936 00 168	Washer 1"	16	All
23	936 00 174	Washer 1-1/8"	8	All
24	910 38 001	Clip Spacer	4	All
25	934 00 476	Lock Nut 7/16-14	4	All
26	930 02 811	Clip Bolt 7/16-14 x 6-1/2"	4	All
27	910 23 026	Spring Clip 4"	1	USR-426-A, 432
	910 23 027	Spring Clup 4-1/2"	1	USR-436
	910 23 028	Spring Clip 5-1/4"	1	USR-442

NOTE: Spring Assemblies should be replaced in pairs.

USR-536, -542, -550, -560 Two Spring Tandem Exploded View



SAF-HOLLAND Group



DISCONTINUED MODEL SERVICE PARTS ONLY

Please contact Customer Service for part availability
888.396.6501



USR-536, -542, -550, -560 Two Spring Tandem Parts List

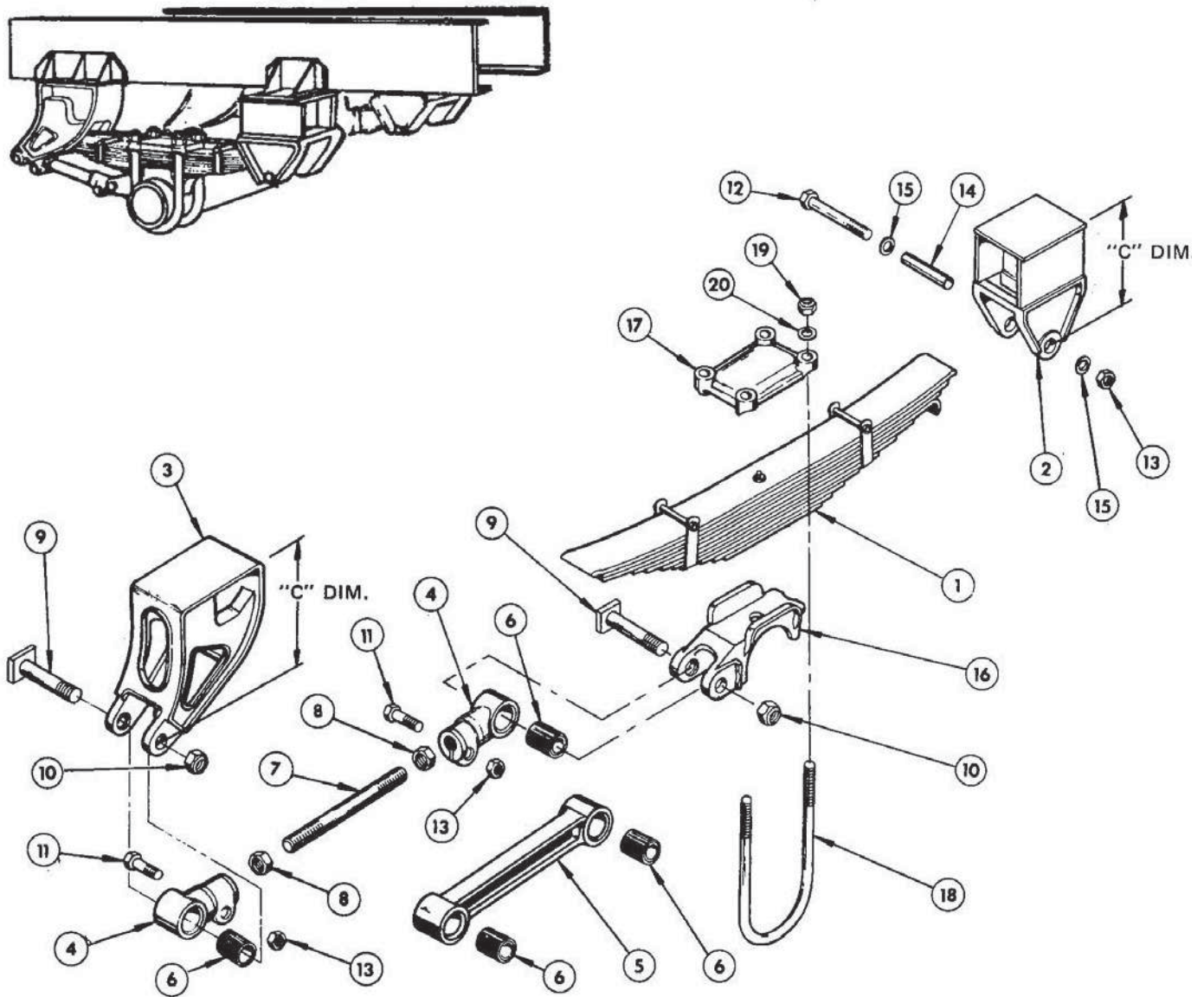
KEY	PART NUMBER	DESCRIPTION	QTY REQ'D	MODEL
SERVICE COMPONENTS				
1	915 57 018	Spring Assembly 5 Leaf - 2 Main Leaf	2	USR-536
	915 57 019	Spring Assembly 6 Leaf - 3 Main Leaf	2	USR-542
	915 57 020	Spring Assembly 7 Leaf - 3 Main Leaf	2	USR-550
	915 57 021	Spring Assembly 9 Leaf - 3 Main Leaf	2	USR-560
2	910 38 003	Trunnion Tube 4" OD x 1/2" Wall x 48" (Other Sizes Available)	1	USR-536
	910 38 004	Trunnion Tube 4" OD x 1/2" Wall x 48" HT (Other Sizes Available)	1	USR-542, 550, 560
3	910 10 047	Trunnion Rubber Cap	2	All
4	915 01 036	Trunnion Spring Seat (Includes Key #27)	2	USR-536
	915 01 037	Trunnion Spring Seat (Includes Key #27)	2	USR-542
	915 01 038	Trunnion Spring Seat (Includes Key #27)	2	USR-550
	915 01 039	Trunnion Spring Seat (Includes Key #27)	2	USR-560
5	910 08 022	Trunnion Rubber Bushing	2	All
6	910 01 054	Trunnion Clamp Casting - 2-1/2" "C" Dimension (-1 Models)	2	All
	910 01 055	Trunnion Clamp Casting - 4-1/2" "C" Dimension (-2 Models)	2	All
	910 01 056	Trunnion Clamp Casting - 6-1/2" "C" Dimension (-3 Models)	2	All
	910 01 058	Trunnion Clamp Casting - 8-1/2" "C" Dimension (-4 Models)	2	All
7	910 10 021	Spring Saddle Casting	2	All
8	900 42 796	U-Bolt 1-1/8-7 x 11" Gr8	4	USR0536, 542
	900 41 698	U-Bolt 1-1/8-7 x 12" Gr8	4	USR-550
	900 41 700	U-Bolt 1-1/8-7 x 12-1/2" Gr8	4	USR-560
9	934 00 506	Lock Nut 1-1/8-7 GrC	8	All
10	930 03 621	Cap Screw 3/4-10 x 4-1/2" Gr5	4	All
11	934 00 492	Lock Nut 3/4-10 GrB	12	All
12	936 00 156	Washer 3/4"	12	All
13	930 03 345	Cap Screw 5/8-11 x 2" Gr5	8	All
14	930 03 575	Cap Screw 3/4-10 x 2-1/2" Gr8	8	All
15	934 00 488	Lock Nut 5/8-11 GrB	8	All
16	936 00 150	Washer 5/8"	8	All
17	900 41 324	U-Bolt 1-8 x 10-1/2" Gr8 (5" Round)	8	All
	900 41 354	U-Bolt 1-8 x 12" Gr8 (5-3/4" and 6" Round)	8	USR-542, 550, 560
18	910 10 041	Spring End Cap (5" Round)	4	USR-536
	910 10 033	Spring End Cap (5" Round)	4	USR-542, 550, 560
	910 10 034	Spring End Cap (5-3/4" and 6" Round)	4	USR-542, 550, 560
19	910 28 152	Spring End Rubber Pad	4	All
20	910 01 038	Spring End Pad (5" Round)	4	All
	910 01 050	Spring End Pad (5-3/4" and 6" Round)	4	USR-542, 550, 560
21	934 00 502	Lock Nut 1-8 GrC	16	All
22	936 00 168	Washer 1"	16	All
23	936 00 174	Washer 1-1/8"	8	All
24	910 38 001	Clip Spacer	4	All
25	934 00 476	Lock Nut 7/16-14	4	All
26	930 02 811	Clip Bolt 7/16-14 x 6-1/2"	4	All
27	910 23 027	Spring Clip 4-1/2"	1	USR-536
	910 23 028	Spring Clip 5-1/4"	1	USR-542
	910 23 029	Spring Clip 6"	1	USR-550
	910 23 030	Spring Clip 7-1/2"	1	USR-560

NOTE: Spring Assemblies should be replaced in pairs.

RTS-218-A, RTS-222-A Single Spring Exploded View



SAF-HOLLAND Group



**DISCONTINUED MODEL
SERVICE PARTS ONLY**
Please contact Customer Service for part availability
888.396.6501



RTS-218-A, RTS-222-A Single Spring Parts List

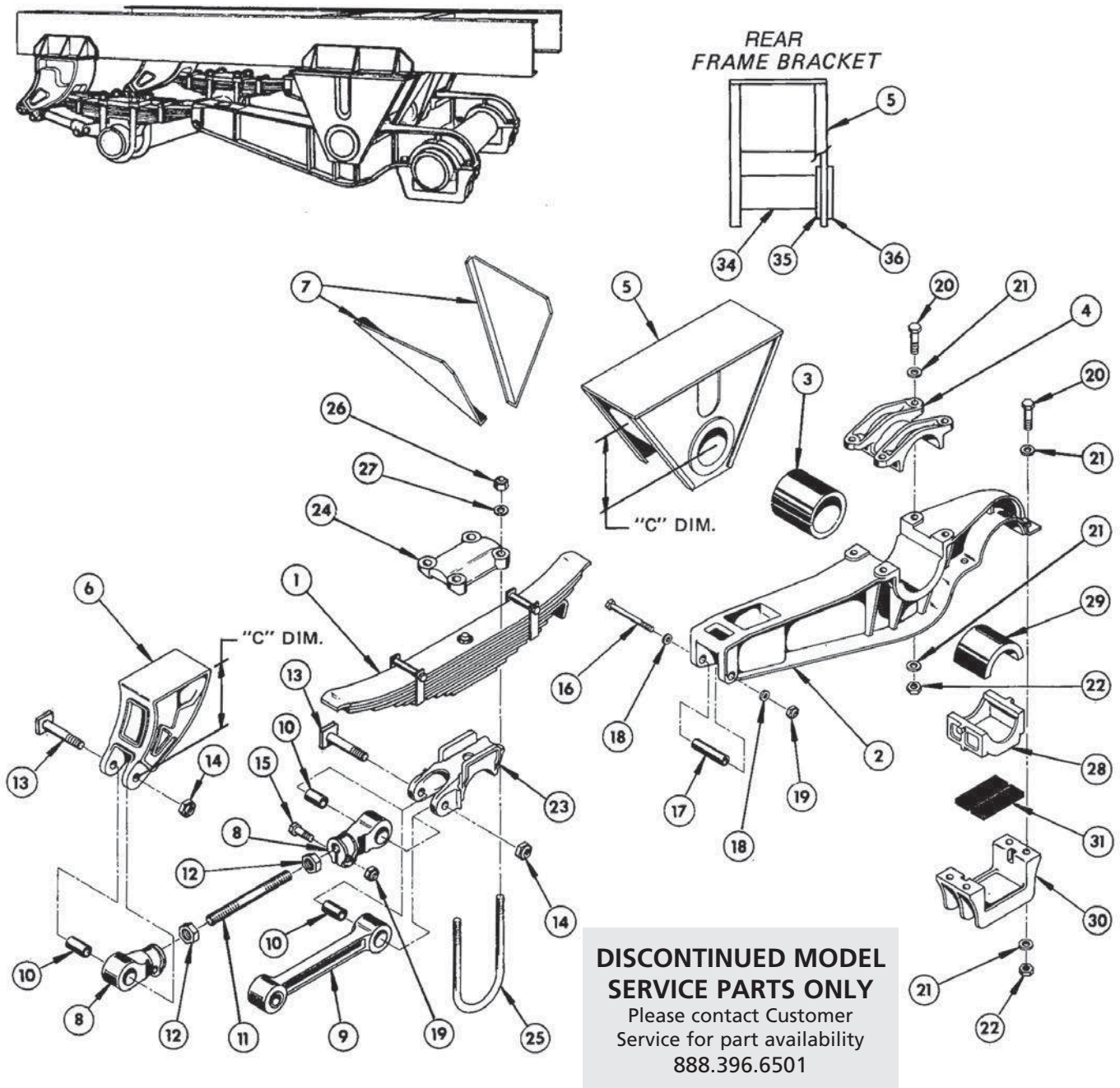
KEY	PART NUMBER	DESCRIPTION	QTY REQ'D	MODEL
SERVICE COMPONENTS				
1	915 57 152	Spring Assembly 11 Leaf	2	RTS-218-A
	915 57 153	Spring Assembly 13 Leaf	2	RTS-222-A
2	915 18 050	Rear Spring Hanger 8-1/2" "C" Dimension (-1 Models)	2	All
	915 18 051	Rear Spring Hanger 10-1/2" "C" Dimension (-2 Models)	2	All
	915 18 052	Rear Spring Hanger 12-1/2" "C" Dimension (-3 Models)	2	All
	915 18 053	Rear Spring Hanger 14-1/2" "C" Dimension (-4 Models)	2	All
3	910 18 002	Front Spring Hanger 8-1/2" "C" Dimension (-1 Models)	2	All
	910 18 000	Front Spring Hanger 10-1/2" "C" Dimension (-2 Models)	2	All
	910 18 004	Front Spring Hanger 12-1/2" "C" Dimension (-3 Models)	2	All
	910 18 036	Front Spring Hanger 14-1/2" "C" Dimension (-4 Models)	2	All
4	915 44 002	Radius Rod End - Adjustable LH (Includes Key #6)	1	All
	915 44 003	Radius Rod End - Adjustable RH (Includes Key #6)	1	All
5	915 44 001	Radius Rod Fixed (Includes Key #6)	1	All
6	910 08 007	Rubber Bushing	4	All
7	932 00 047	Radius Rod Screw 1-1/4-7 x 11"	1	All
8	934 00 284	Jam Nut 1-1/4-7 RH GrB	1	All
	934 00 036	Jam Nut 1-1/4-7 LH GrB	1	All
9	939 00 009	Radius Rod Bolt 1-1/4-7	4	All
10	934 00 569	Lock Nut 1-1/4-7 GrB	4	All
11	930 02 921	Cap Screw 1/2-13 x 2" Gr8	2	All
12	930 03 003	Cap Screw 1/2-13 x 5-1/2" Gr5	2	All
13	934 00 482	Lock Nut 1/2-13 GrB	4	All
14	910 36 100	Pipe Spacer 1/2"	2	All
15	936 00 138	Washer 1/2"	4	All
16	910 01 034	Axle Spring Seat	2	All
17	910 10 103	U-Bolt Plate	2	All
18	900 41 174	U-Bolt 7/8-9 x 12" Gr8	4	All
19	934 00 498	Lock Nut 7/8-9 GrC	8	All
20	936 00 162	Washer 7/8	8	All
SERVICE REPAIR KITS				
	481 00 050	SRK-39 - Radius Rod Rebushing	1	All

NOTE: Spring Assemblies should be replaced in pairs.

RTS-536, RTS-544 Tandem Spring Exploded View



SAF-HOLLAND Group



**DISCONTINUED MODEL
SERVICE PARTS ONLY**
Please contact Customer
Service for part availability
888.396.6501

KEY	PART NUMBER	DESCRIPTION	QTY REQ'D	MODEL
SERVICE COMPONENTS				
1	915 57 152	Spring Assembly 11 Leaf	2	RTS-536
	915 57 153	Spring Assembly 13 Leaf	2	RTS-544
	915 57 154	Spring Assembly 14 Leaf	2	RTS-544
2	915 15 001	Equalizing Beam	2	All
3	910 08 014	Trunnion Rubber Bushing	2	All
4	910 10 098	Trunnion Cap	2	All



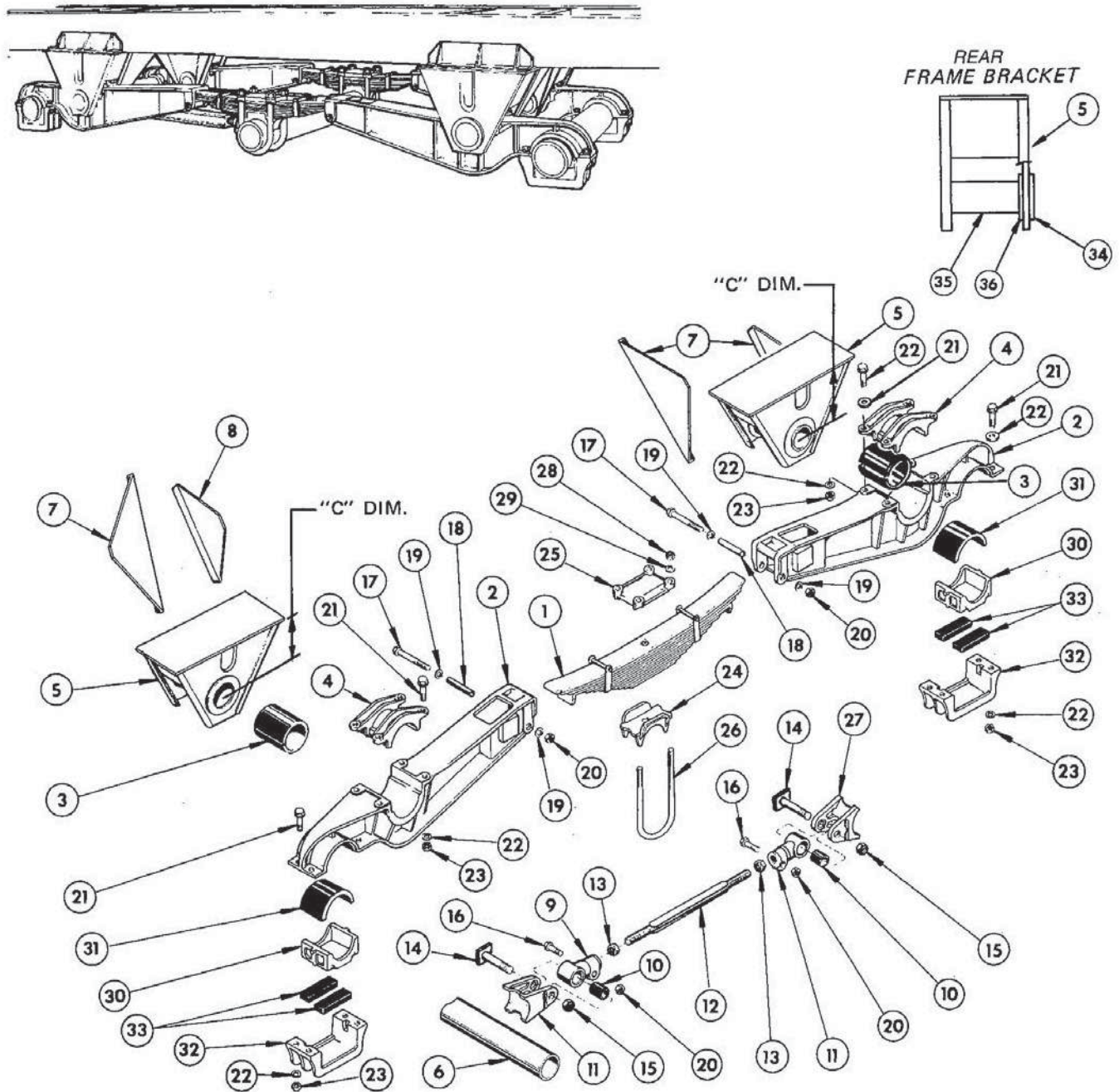
KEY	PART NUMBER	DESCRIPTION	QTY REQ'D	MODEL
SERVICE COMPONENTS (continued)				
5	915 18 005	Frame Bracket 8-1/2" "C" Dimension (Includes Key #34, 35, 36) (-1 Models)	2	All
	915 18 006	Frame Bracket 10-1/2" "C" Dimension (Includes Key #34, 35, 36) (-2 Models)	2	All
	915 18 007	Frame Bracket 12-1/2" "C" Dimension (Includes Key #34, 35, 36) (-3 Models)	2	All
	915 18 076	Frame Bracket 14-1/2" "C" Dimension (Includes Key #34, 35, 36) (-4 Models)	2	All
6	910 18 002	Front Spring Hanger 8-1/2" "C" Dimension (-1 Models)	2	All
	910 18 003	Front Spring Hanger 10-1/2" "C" Dimension (-2 Models)	2	All
	910 18 004	Front Spring Hanger 12-1/2" "C" Dimension (-3 Models)	2	All
	910 18 036	Front Spring Hanger 14-1/2" "C" Dimension (-4 Models)	2	All
7	910 23 001	Diagonal Brace (-1 Models)	4	All
	910 23 002	Diagonal Brace LH (-2 Models)	2	All
	910 23 003	Diagonal Brace RH (-2 Models)	2	All
	910 23 004	Diagonal Brace LH (-3 Models)	2	All
	910 23 005	Diagonal Brace RH (-3 Models)	2	All
	910 23 006	Diagonal Brace LH (-4 Models)	2	All
	910 23 007	Diagonal Brace RH (-4 Models)	2	All
8	915 44 002	Radius Rod Eng - Adjustable LH (Includes Key #10)	1	All
	915 44 003	Radius Rod End - Adjustable RH (Includes Key #10)	1	All
9	915 44 001	Radius Rod Fixed (Includes Key #10)	1	All
10	910 08 007	Rubber Bushing	4	All
11	932 00 047	Radius Rod Screw 1-1/4-7 x 11"	1	All
12	934 00 284	Jam Nut 1-1/4-7 RH GrB	1	All
	934 00 036	Jam Nut 1-1/4-7 LH GrB	1	All
13	939 00 009	Radius Rod Bolt 1-1/4-7	4	All
14	934 00 569	Lock Nut 1-1/4-7 GrB	4	All
15	930 02 921	Cap Screw 12/-13 x 2" Gr8	2	All
16	930 03 003	Cap Screw 1/2-13 x 5-1/2" Gr5	2	All
17	910 36 092	Pipe Spacer 1/2"	2	All
18	936 00 138	Washer 1/2"	4	All
19	934 00 482	Lock Nut 1/2-13 GrB	4	All
20	930 03 575	Cap Screw 3/4-10 x 2-1/2" Gr8	16	All
21	936 00 156	Washer 3/4"	32	All
22	934 00 492	Lock Nut 3/4-10 GrB	16	All
23	910 01 034	Axle Spring Seat	2	All
24	910 10 103	U-Bolt Plate	2	All
25	900 41 174	U-Bolt 7/8-9 x 12" Gr8	4	All
26	934 00 498	Lock Nut 7/8-9 GrC	8	All
27	936 00 162	Washer 7/8"	8	All
28	910 01 040	Axle Adapter	2	All
29	910 28 010	Rubber Wrapper	2	All
30	910 10 031	Axle Connection Cap	2	All
31	910 28 023	Rubber Pad	4	All
32	910 23 307	Spring Hanger Wear Bar (Not Shown In Diagram)	2	All
33	910 28 028	Equalizing Beam Wear Pad (Not Shown in Diagram)	2	All
34	910 38 210	Trunnion Tube 4" OD x 1/2" Wall x 8-3/8"	2	All
35	936 00 002	Inner Washer 3/16" Thick	4	All
36	936 00 003	Outer Washer 5/16" Thick	4	All
SERVICE REPAIR KITS				
	481 00 033	SRK-36 - Axle and Trunnion Connection	1	All
	481 00 050	SRK-39 - Radius Rod Rebushing	1	All

NOTE: Spring Assemblies should be replaced in pairs.

RTS-754-HD Tri-Axle Spring Exploded View



SAF-HOLLAND Group



**DISCONTINUED MODEL
SERVICE PARTS ONLY**
Please contact Customer Service for part availability
888.396.6501



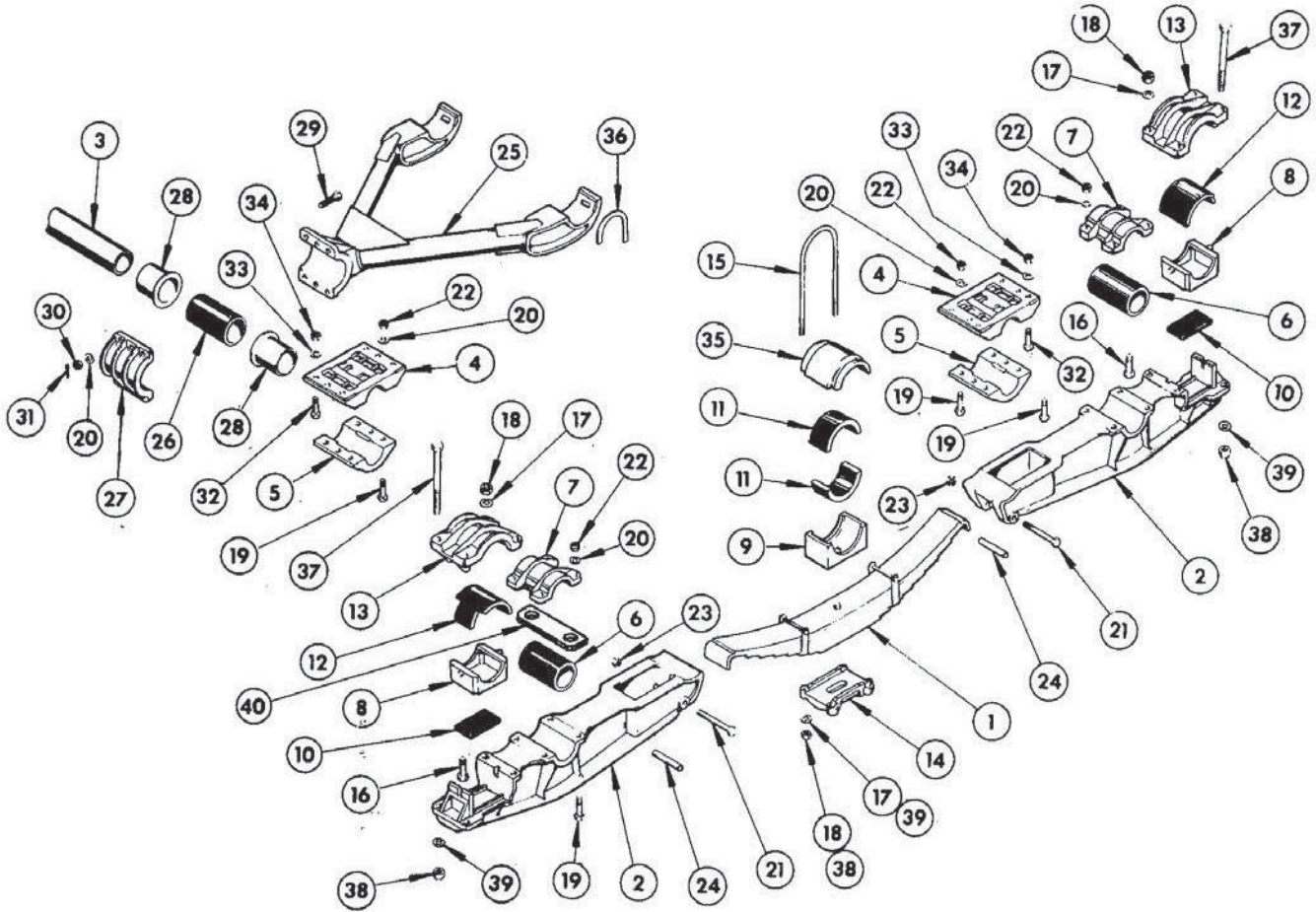
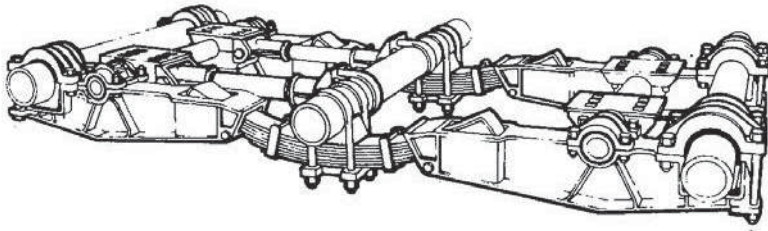
KEY	PART NUMBER	DESCRIPTION	QTY REQ'D	MODEL
SERVICE COMPONENTS (continued)				
1	915 57 200	Spring Assembly	2	All
2	915 15 002	Equalizing Beam	4	All
3	910 08 014	Trunnion Rubber Bushing	4	All
4	910 10 098	Trunnion Cap	4	All
5	915 18 016	Frame Bracket 8-1/2" "C" Dimension (-1 Models)	4	All
	915 18 015	Frame Bracket 10-1/2" "C" Dimension (-2 Models)	4	All
	915 18 014	Frame Bracket 12-1/2" "C" Dimension (-3 Models)	4	All
	915 18 013	Frame Bracket 14-1/2" "C" Dimension (-4 Models)	4	All
6	910 38 091	Trunnion Tube 4" OD x 1/2" Wall x 44-1/2" (Other Lengths Available)	1	All
7	910 23 001	Diagonal Brace - Large (-1 Models)	6	All
	910 23 002	Diagonal Brace LH - Large (-2 Models)	3	All
	910 23 003	Diagonal Brace RH - Large (-2 Models)	3	All
	910 23 004	Diagonal Brace LH - Large (-3 Models)	3	All
	910 23 005	Diagonal Brace RH - Large (-3 Models)	3	All
	910 23 007	Diagonal Brace RH - Large (-4 Models)	3	All
8	910 23 008	Diagonal Brace - Small (-1 Models)	2	All
	910 23 009	Diagonal Brace - Small (-2 Models)	2	All
	910 23 001	Diagonal Brace - Small (-3 Models)	2	All
	910 23 003	Diagonal Brace LH - Small (-4 Models)	1	All
	910 23 002	Diagonal Brace RH - Small (-4 Models)	1	All
9	915 44 002	Radius Rod End - Adjustable LH (Includes Key #10)	2	All
	915 44 003	Radius Rod Eng - Adjustable RH (Includes Key #10)	2	All
10	910 08 007	Rubber Bushing	4	All
11	910 18 006	Radius Rod Trunnion Bracket	2	All
12	915 06 002	Radius Rod Screw 1-1/4-7	2	All
13	934 00 284	Jam Nut 1-1/4-7 RH GrB	2	All
	934 00 036	Jam Nut 1-1/4-7 LH GrB	2	All
14	939 00 009	Radius Rod Bolt 1-1/4-7	4	All
15	934 00 569	Lock Nut 1-1/4-7 GrB	4	All
16	930 02 921	Cap Screw 1/2-13 x 2" Gr8	4	All
17	930 03 003	Cap Screw 1/2-13 x 5-1/2" Gr5	4	All
18	910 36 100	Pipe Spacer 1/2"	4	All
19	936 00 138	Washer 1/2"	8	All
20	934 00 482	Lock Nut 1/2-13 GrB	8	All
21	930 03 575	Cap Screw 3/4-10 x 2-1/2" Gr8	32	All
22	936 00 156	Washer 3/4"	64	All
23	934 00 492	Lock Nut 3/4-10 GrB	32	All
24	910 01 023	Axle Spring Seat	2	All
25	910 10 103	U-Bolt Plate	2	All
26	900 41 174	U-Bolt 7/8-9 x 12" GrB	4	All
27	910 18 005	Radius Rod Axle Bracket	2	All
28	934 00 498	Lock Nut 7/8-9 GrC	8	All
29	936 00 162	Washer 7/8"	8	All
30	910 01 040	Axle Adapter	4	All
31	910 28 010	Rubber Wrapper	4	All
32	910 10 031	Axle Connection Cap	4	All
33	910 28 023	Rubber Pad	9	All
34	936 00 003	Outer Washer 5/16" Thick	8	All
35	910 38 210	Trunnion Tube 4" OD x 1/2" Wall x 8-3/8"	2	All
36	936 00 002	Inner Washer 3/16" Thick	8	All
SERVICE REPAIR KITS				
	481 00 033	SRK-36 - Axle and Trunnion Connection	2	All
	481 00 050	SRK-39 - Radius Rod Rebushing	1	All

NOTE: Spring Assemblies should be replaced in pairs.

T-8750, T-8900 Tri-Axle Spring Exploded View



SAF-HOLLAND Group



**DISCONTINUED MODEL
SERVICE PARTS ONLY**
Please contact Customer Service for part availability
888.396.6501



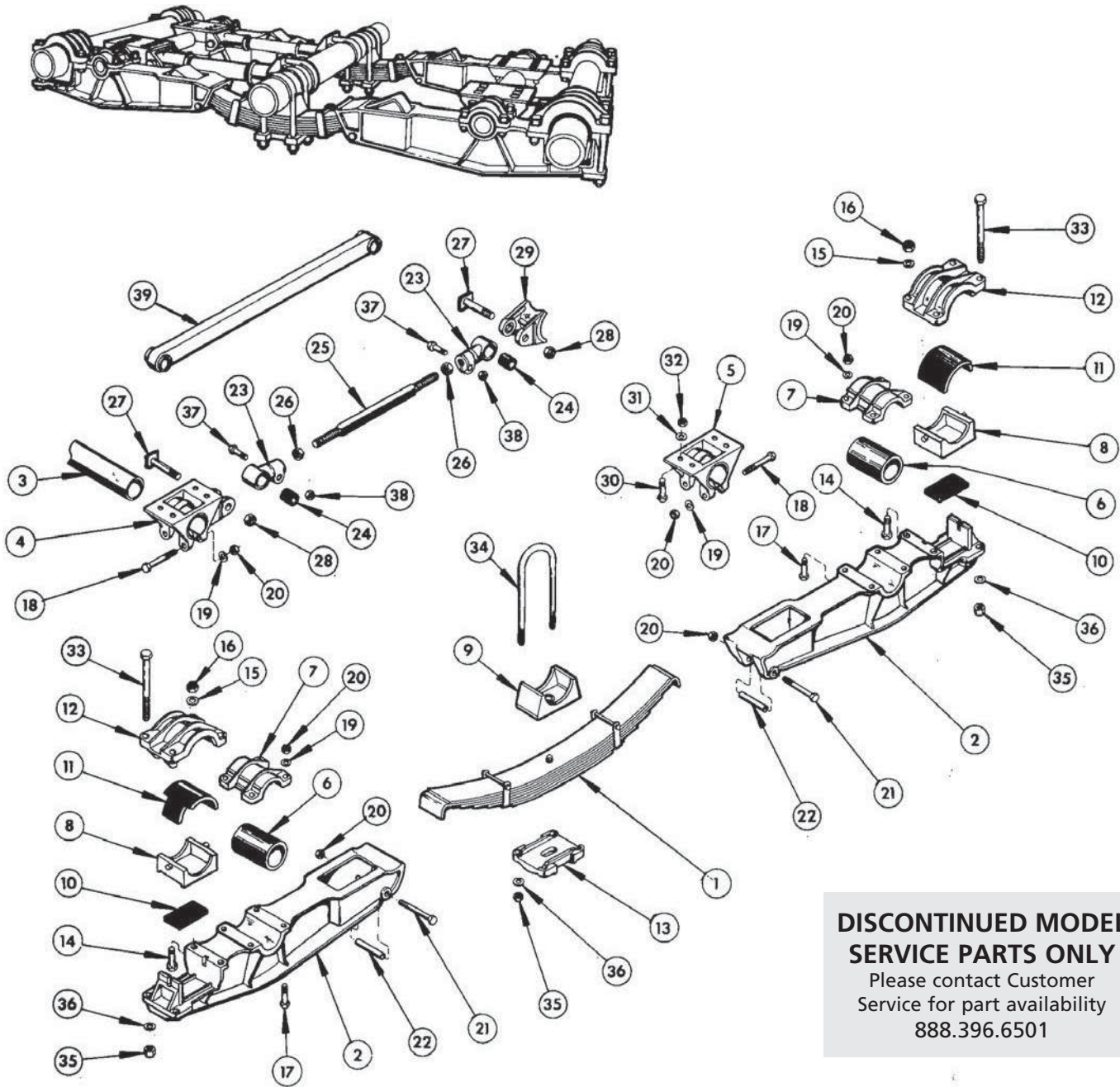
KEY	PART NUMBER	DESCRIPTION	QTY REQ'D	MODEL
SERVICE COMPONENTS				
1	915 57 172	Spring Assembly	2	All
2	910 15 015	Equalizing Beam (5" Round)	4	All
	915 15 011	Equalizing Beam (5-3/4" Round)	4	All
3	910 38 290	Trunnion Tube 3-1/2" OD x 1/2" Wall x 44-1/4" HT (Other Sizes Available)	2	All
4	910 01 002	Trunnion Clamp	2	All
5	910 10 020	Trunnion Clamp Cap	1	All
6	900 08 011	Rubber Trunnion Bushing	4	T-8750
	910 08 112	Polyurethane Trunnion Bushing	4	T-8900
7	900 10 009	Trunnion Rubber Cap	4	All
8	910 01 094	Axle Adapter (5" Round)	4	All
	910 01 120	Axle Adapter (5-3/4" Round)	4	All
9	910 01 080	Axle Spring Seat (5" Round)	2	All
	910 01 120	Axle Adapter (5-3/4" Round)	2	All
10	910 28 089	Rubber Pad (5" Round)	4	All
	910 28 075	Rubber Pad (5-3/4" Round)	4	All
11	910 28 039	Rubber Wrapper (5" Round)	4	All
	910 28 040	Rubber Wrapper (5-3/4" Round)	4	All
12	910 28 051	Rubber Wrapper (5" Round)	4	All
	910 28 053	Rubber Wrapper (5-3/4" Round)	4	All
13	910 10 061	Axle Cap (5" Round)	4	All
	910 10 059	Axle Cap (5-3/4" Round)	4	All
14	910 31 054	Spring Clamp	2	All
15	900 41 430	U-Bolt 1-8 x 14" Gr8	4	All
16	930 04 239	Cap Screw 1-8 x 3-1/2" Gr5 (5" Round)	8	All
	930 04 251	Cap Screw 1-8 x 4" Gr5 (5-3/4" Round)	8	All
17	939 00 027	Washer 1"	8	All
18	934 00 502	Lock Nut 1-8 GrC	8	All
19	930 03 585	Cap Screw 3/4-10 x 3" Gr5	40	All
20	936 00 005	Washer 3/4"	92	All
21	930 03 657	Cap Screw 3/4-10 x 6" G55	4	All
22	934 00 494	Lock Nut 3/4-10 GrC	40	All
23	934 00 149	Hex Nut 3/4-16 GrB	4	All
24	910 36 078	Pipe Spacer	4	All
25*	N/A	Drag Yoke Assembly	1	All
26	910 08 024	Drag Yoke Rubber Bushing	1	All
27	910 10 062	Drag Yoke Cap	1	All
28	910 36 010	Drag Yoke Spacer	2	All
29	930 03 575	Cap Screw 3/4-10 x 2-1/2" Gr8	6	All
30*	N/A	Nut 3/4-16	6	All
31*	N/A	Cotter Pin 1/8" x 1-1/2"	6	All
32*	N/A	Cap Screw 5/8-18 x 2"	24	All
33	939 00 025	Washer 5/8"	48	All
34	934 00 488	Lock Nut 5/8-11 GrB	24	All
35	910 10 058	Axle Cap (5" Round)	2	All
	910 10 063	Axle Cap (5-3/4" Round)	2	All
36	900 23 044	Axle Collar (5" Round)	2	All
	900 23 046	Axle Collar (5-3/4" Round)	2	All
37	930 03 941	Cap Screw 7/8-9 x 9" Gr8	8	All
38	934 00 498	Lock Nut 7/8-9 GrC	8	All
39	936 00 162	Washer 7/8"	8	All
40	910 36 001	Trunnion Cap Spacer	8	T-8900
SERVICE REPAIR KITS				
	481 00 035	SRK-38 - Trunnion and End Axle Connection (5" Round)		

NOTE: Spring Assemblies should be replaced in pairs.

T-8540, TR-8540, TR-8600 Tri-Axle Spring Exploded View



SAF-HOLLAND Group



**DISCONTINUED MODEL
SERVICE PARTS ONLY**
Please contact Customer
Service for part availability
888.396.6501

KEY	PART NUMBER	DESCRIPTION	QTY REQ'D	MODEL
SERVICE COMPONENTS				
1	915 57 175	Spring Assembly	2	T-8540, TR-8540
	915 57 172	Spring Assembly	2	TR-8600
2	910 15 015	Equalizing Beam	4	All
3	910 38 290	Trunnion Tube 3-1/2" OD x 1/2" Wall x 44-1/4" HT (Other Sizes Avail.)	2	All
4	910 01 088	Trunnion Clamp and Radius Rod Casting - Front	2	All
5	910 01 066	Trunnion Clamp Casting - Rear	2	All
6	900 08 011	Rubber Trunnion Bushing	4	All



SAF-HOLLAND Group

T-8540, TR-8540, TR-8600 Tri-Axle Spring Parts List

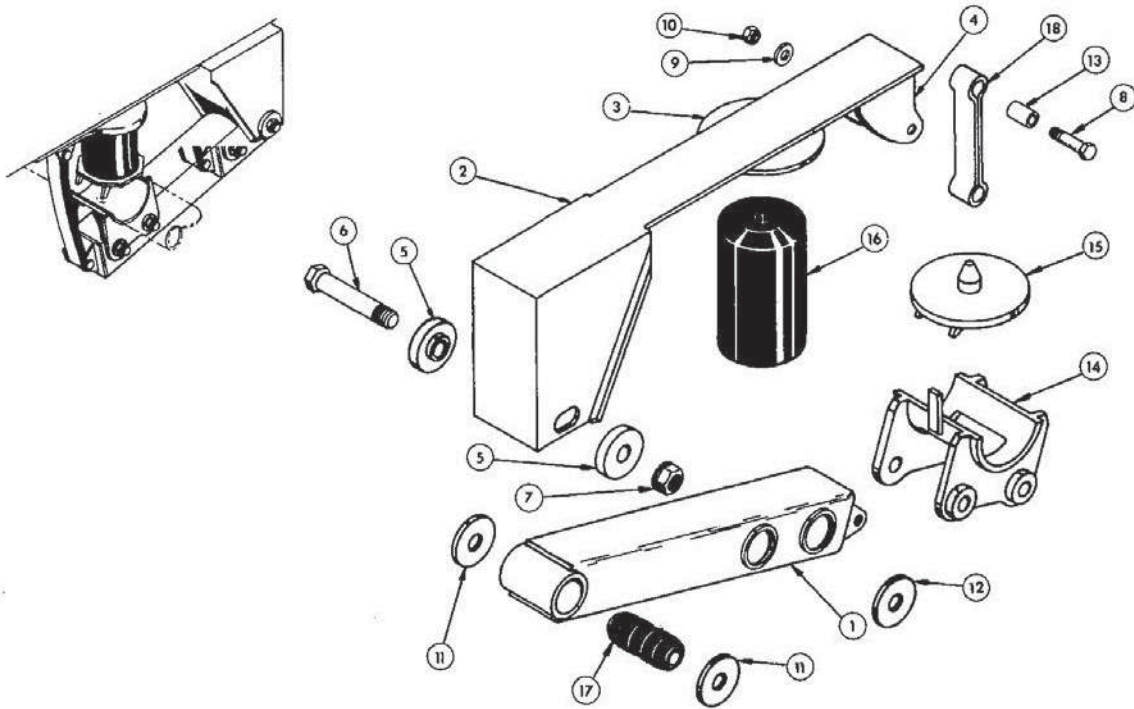
KEY	PART NUMBER	DESCRIPTION	QTY REQ'D	MODEL
SERVICE COMPONENTS (continued)				
7	900 10 009	Trunnion Rubber Cap Casting	4	T-8540
	910 10 157	Trunnion Rubber Cap Casting	4	TR-8540, TR-8600
8	910 01 089	Axle Adapter	4	All
9	910 01 075	Axle Spring Seat	2	All
10	910 28 075	Spring End Rubber Pad	4	T-8540
	910 28 089	Spring End Rubber Pad	4	TR-8540, TR-8600
11	910 28 051	Rubber Wrapper	4	All
12	910 10 060	Axle Cap	4	All
13	910 10 108	Spring Clamp Casting	2	All
14	930 04 239	Cap Screw 1-8 x 3-1/2" Gr5	8	All
15	939 00 027	Washer 1"	8	All
16	934 00 502	Lock Nut 1-8 GrC	8	All
17	930 03 575	Cap Screw 3/4-10 x 2-1/2" Gr8	16	All
18	930 03 635	Cap Screw 3/4-10 x 5" Gr8	8	All
19	936 00 005	Washer 3/4"	48	T-8540
	936 00 156	Washer 3/4"	32	TR-8540, TR-8600
20	934 00 492	Lock Nut 3/4-10 GrB	28	All
21	930 03 657	Cap Screw 3/4-10 x 6" Gr5	4	All
22	910 36 078	Pipe Spacer	4	All
23	915 44 002	Radius Rod End - Adjustable LH (Includes Key #24)	2	T-8540
	915 44 002	Radius Rod End - Adjustable LH (Includes Key #24)	1	TR-8540, TR-8600
	915 44 003	Radius Rod End - Adjustable RH (Includes Key #24)	2	T-8540
	915 44 003	Radius Rod End - Adjustable RH (Includes Key #24)	1	TR-8540, TR-8600
24	910 08 007	Rubber Bushing	4	All
25	915 06 003	Radius Rod 1-1/4-7 x 21-3/4"	2	T-8540
	915 06 003	Radius Rod 1-1/4-7 x 21-3/4"	1	TR-8540, TR-8600
26	934 00 036	Jam Nut 1-1/4-7 LH GrB	2	T-8540
	934 00 036	Jam Nut 1-1/4-7 LH GrB	1	TR-8540, TR-8600
	934 00 284	Jam Nut 1-1/4-7 RH GrB	2	T-8540
	934 00 284	Jam Nut 1-1/4-7 RH GrB	1	TR-8540, TR-8600
27	939 00 009	Radius Rod Bolt 1-1/4-7	4	All
28	934 00 569	Lock Nut 1-1/4-7 GrB	4	All
29	910 18 005	Radius Rod Axle Bracket	2	All
30	930 03 345	Cap Screw 5/8-11 x 2" Gr5	16	All
31	939 00 025	Washer 5/8"	16	All
32	934 00 488	Lock Nut 5/8-11 GrB	16	All
33	930 03 941	Cap Screw 7/8-9 x 9" Gr8	8	All
34	900 41 170	U-Bolt 7/8-9 x 11" Gr8	4	TR-8540, TR-8600
	900 42 106	U-Bolt 7/8-9 x 11-1/2" Gr8	4	T-8540
35	934 00 498	Lock Nut 7/8-9 GrC	16	All
36	936 00 162	Washer 7/8"	16	All
37	930 02 921	Cap Screw 1/2-13 x 2" Gr8	4	T-8540
	930 02 921	Cap Screw 1/2-13 x 2" Gr8	2	TR-8540, TR-8600
38	934 00 482	Lock Nut 1/2-13 GrB	4	T-8540
	934 00 482	Lock Nut 1/2-13 GrB	2	TR-8540, TR-8600
39	915 44 149	Radius Rod -Fixed (Includes Key #24)	1	TR-8540, TR-8600
SERVICE REPAIR KITS				
	481 00 035	SRK-38 - Trunnion and End Axle Connection (5" Round)	1	T-8540
	481 00 050	SRK-39 - Radius Rod Bushing	1	All
	481 00 145	SRK-97 - Trunnion and End Axle Connection (5" Round)	2	TR-8540, TR-8600
	481 00 149	SRK-100 - Trunnion and End Axle Connection (5-3/4" Round)	2	TR-8540, TR-8600

NOTE: Spring Assemblies should be replaced in pairs.

RC-122-11-A, RC-122-16A Rubber Cushion Exploded View

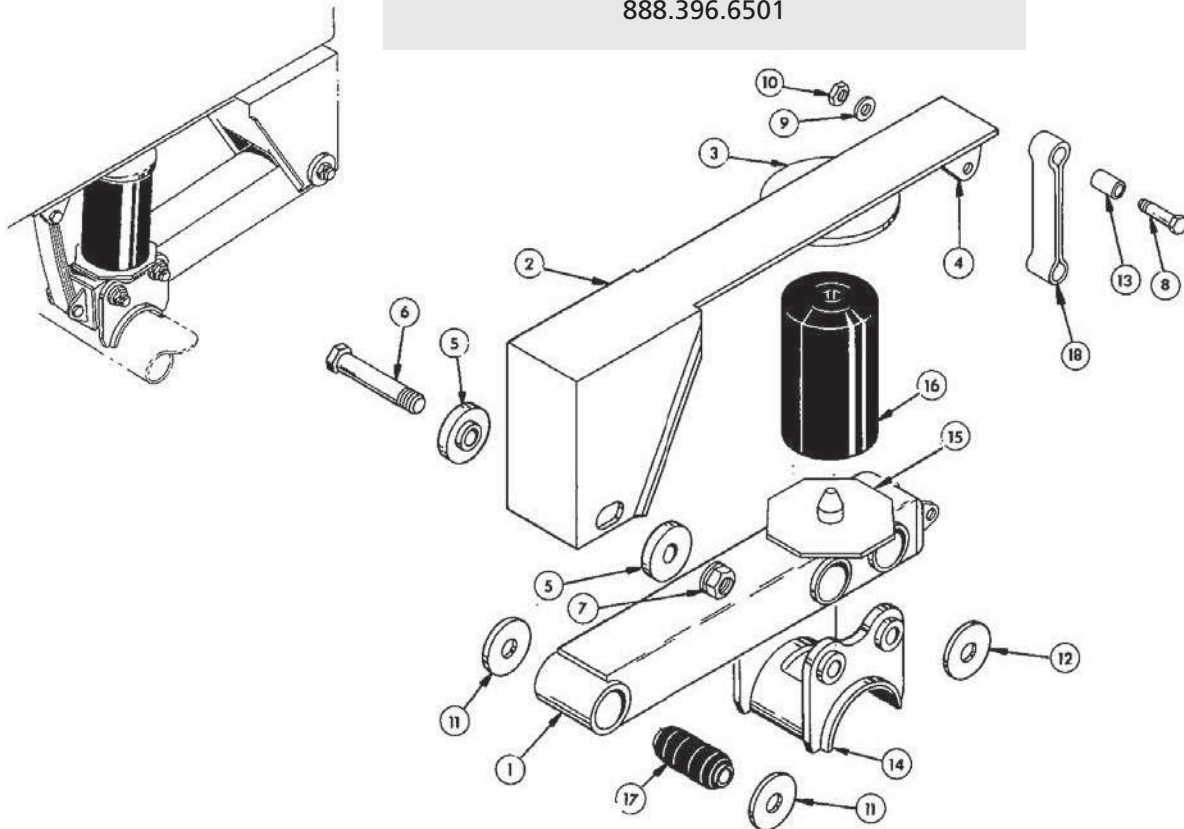


SAF-HOLLAND Group



DISCONTINUED MODEL SERVICE PARTS ONLY

Please contact Customer Service for part availability
888.396.6501





SAF-HOLLAND Group

RC-122-11-A, RC-122-16A Rubber Cushion Parts List

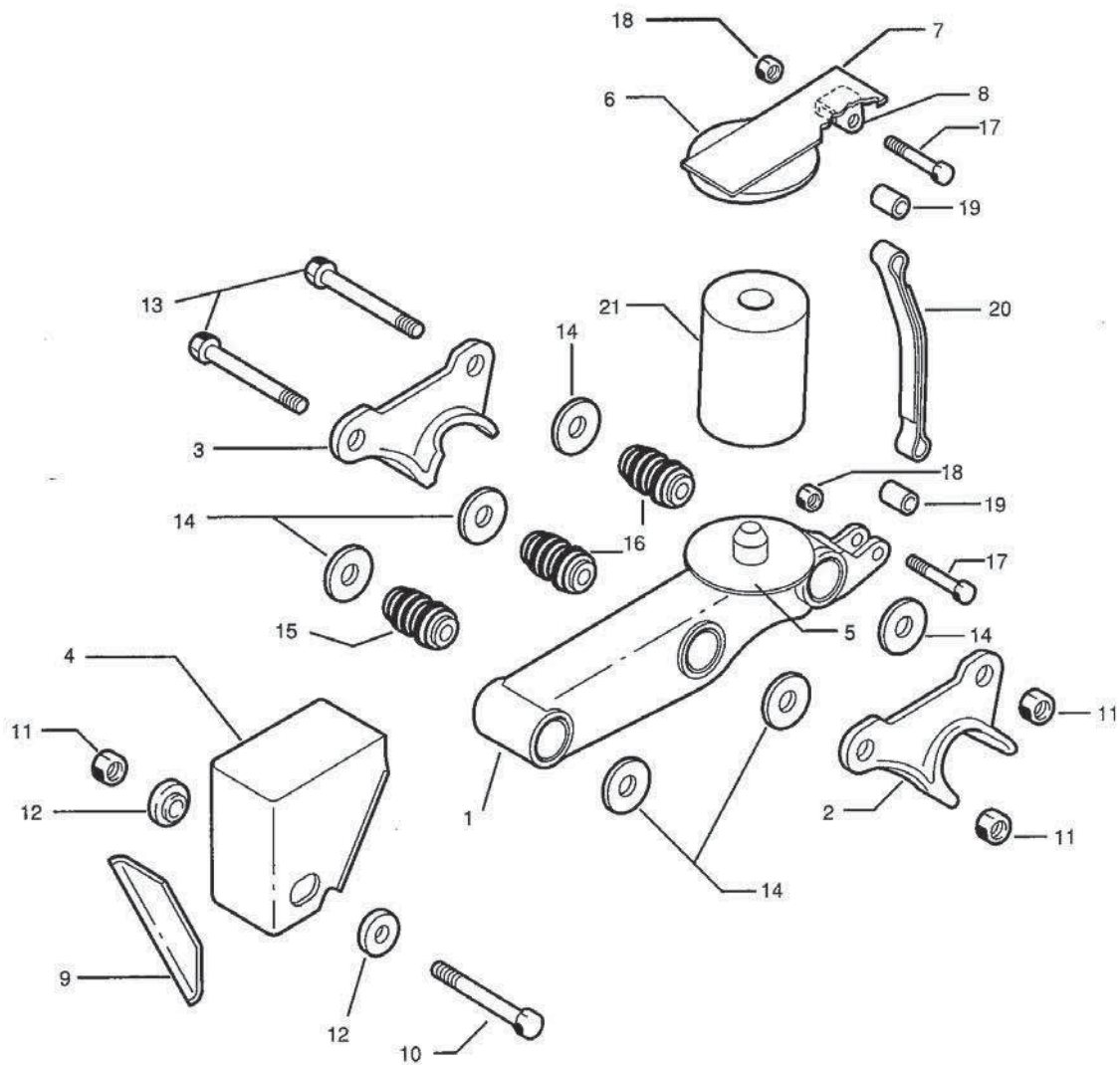
KEY	PART NUMBER	DESCRIPTION	QTY REQ'D	MODEL
SERVICE COMPONENTS				
1	915 15 142	Equalizing Beam (Includes Key #17)	2	RC-122-11-A
	915 15 137	Equalizing Beam (Includes Key #17)	2	RC-122-16-A
2	905 19 609	Frame Bracket LH Adjustable (Includes Key #5)	1	All
	905 19 610	Frame Bracket RH Fixed (Includes Key #5)	1	All
3	915 44 183	Upper Mounting Plate	2	RC-122-11-A
	910 31 659	Upper Mounting Plate	2	RC-122-16-A
4	900 18 348	Upper Strap Mounting Bracket	2	RC-122-11-A
	900 31 169	Upper Strap Mounting Bracket	4	RC-122-16-A
5	900 08 148	Alignment Bushing	4	All
6	932 01 045	Cap Screw 1-1/8-7 x 8-5/16" Gr5	6	All
7	934 00 506	Lock Nut 1-1/8-7 GrC	6	All
8	930 03 597	Cap Screw 3/4-10 x 3-1/2" Gr5	4	All
9	935 00 156	Flat Washer 3/4"	4	All
10	934 00 492	Lock Nut 3/4-10 GrB	4	All
11	936 00 029	Spacer Washer	4	All
12	936 00 029	Spacer Washer (Used for axle adapter with 5" inside width)	8	All
	900 36 152	Spacer Washer (Used for axle adapter with 5-3/8" inside width)	8	All
13	900 36 142	Sleeve	4	All
14	915 01 065	Axle Adapter 5" Inside Width (5" Round - Use 936 00 029)	2	All
	915 01 067	Axle Adapter 5-3/8" Inside Width (5" Round - Use 900 36 152)	2	All
	900 01 127	Axle Adapter 5" Inside Width (5" Square - Use 936 00 029)	2	RC-122-16-A
	915 01 066	Axle Adapter 5-3/8" Inside Width (5" Square - Use 900 36 152)	2	RC-122-16-A
15	910 01 214	Lower Mounting Plate	2	RC-122-11-A
	915 44 183	Lower Mounting Plate	2	RC-122-16-A
16	910 58 580	Rubber Cushion	2	All
17	900 08 131	Rubber Bushing	6	All
18	910 44 102	Restraining Strap	2	RC-122-11-A
	910 44 101	Restraining Strap	2	RC-122-16-A
SERVICE REPAIR KITS				
	481 00 203	SRK-146 - Pivot Connection	1	All

NOTE: Spring Assemblies should be replaced in pairs.

ER-2250/RC-2000-16 Rubber Cushion Exploded View



SAF-HOLLAND Group



**DISCONTINUED MODEL
SERVICE PARTS ONLY**
Please contact Customer Service for part availability
888.396.6501



KEY	PART NUMBER	DESCRIPTION	QTY REQ'D	MODEL
SERVICE COMPONENTS				
1	905 16 658	Equalizing Beam (Includes Key #5, 15, 16)	2	All
2	900 01 215	Axle Adapter LH	2	All
3	900 01 216	Axle Adapter RH	2	All
4	905 20 830	Adjustable Frame Bracket	2	All
5	915 44 183	Lower Mounting Plate	2	All
6	910 31 659	Upper Mounting Plate	2	All
7	910 31 663	Plate	2	All
8	905 19 070	Upper Strap Bracket	2	All
9	900 23 001	Gusset	2	All
10	932 01 055	Cap Screw 1-1/8-7 x 9-1/2" Gr8	2	All
11	934 00 506	Lock Nut 1-1/8-7 GrC	6	All
12	900 08 147	Alignment Block	2	All
13	932 01 051	Cap Screw 1-1/8-7 x 8-1/2" Gr8	4	All
14	900 36 177	Spacer Washer	12	All
15	900 08 139	Pivot Bushing	2	All
16	900 08 149	Rubber Bushing	4	All
17	930 03 597	Cap Screw 3/4" - 10" x 3-1/2" Gr5	4	All
18	934 00 492	Lock Nut 3/4" - 10 GrB	4	All
19	900 36 142	Sleeve	4	All
20	910 44 101	Strap	2	All
21	910 58 580	Rubber Cushion	2	All

NOTE: Spring Assemblies should be replaced in pairs.



THIS PAGE INTENTIONALLY LEFT BLANK

**HOLLAND (AND
FORMER NEWAY)
BUS &
MOTORHOME
SUSPENSION
PARTS
REFERENCE GUIDE**

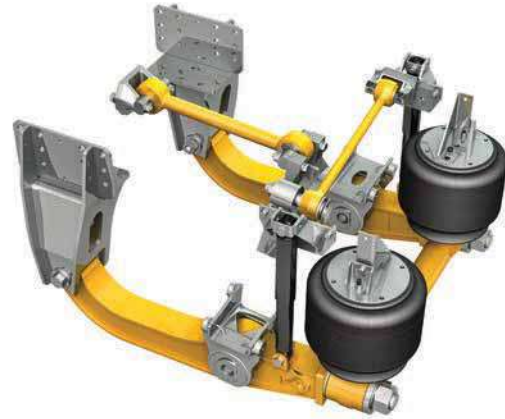


TABLE OF CONTENTS

Truck, Bus & Motorhome Suspensions

AD-123/246/369 Series	5-2
AD-126/252/378 Series	5-3
AD-130/260/390 Series	5-4
AD-200-7, -8, -9, -11	5-10
ADL-120	5-12
ADZ-123	5-16
ADZ-126	5-18
ARD-120-6, -238-6	5-24
ARD-125-6, -8, ARD-244-6, -8	5-26
ARD-234-6	5-28
ARDAB-120-5, -240-5 (same as ARDAB-238-5)	5-30
ARDST-123-6, -244-6, -246-6, -250-6	5-34
ARDSTM/L-123-6, -246-6	5-36
ARDTB-125-6A, -6B	5-38

Truck, Bus & Motorhome Non-Powered Suspensions

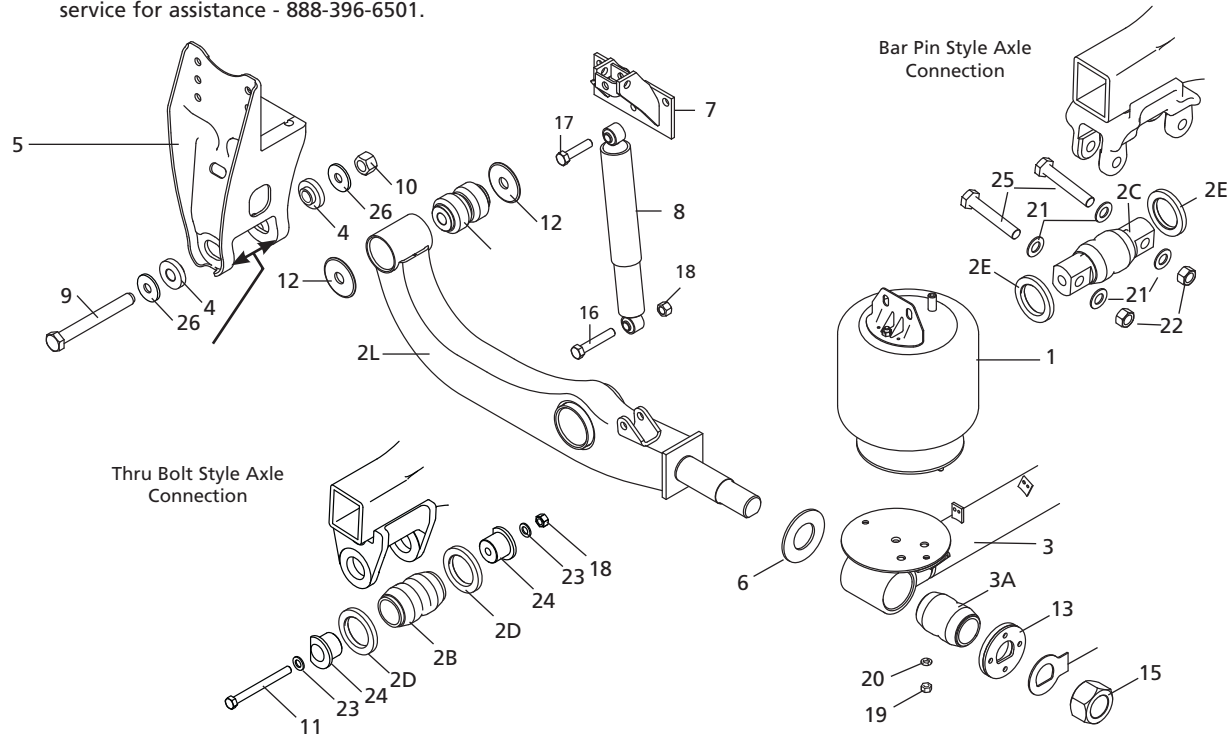
ART-500-B, -1, ART-551-B-1, -2, -3	5-40
ART-500-US-A	5-42
ART-505-B, -1, ART-555-B-1, -2, -3	5-44
ART-505-C, -1, ART-555-C-1, -2, -3	5-46
ART-541-B	5-48
AS Series	5-50
ASB Series	5-51
Equalizing Beam Identification (Selected Models)	5-53

For parts, service, and warranty questions,
call 888.396.6501 or visit www.safholland.us

AD-123/246/369 Series Parts List

SAF-HOLLAND Group

IMPORTANT: AD Series Suspension components vary by assembly part number and OEM/Chassis builder specifications. To ensure proper part number identification before placing order, refer to OEM/Chassis builder's specifications or visually check component to be replaced for part number. If part number can not be identified or confirmed please contact SAF-HOLLAND technical service for assistance - 888-396-6501.



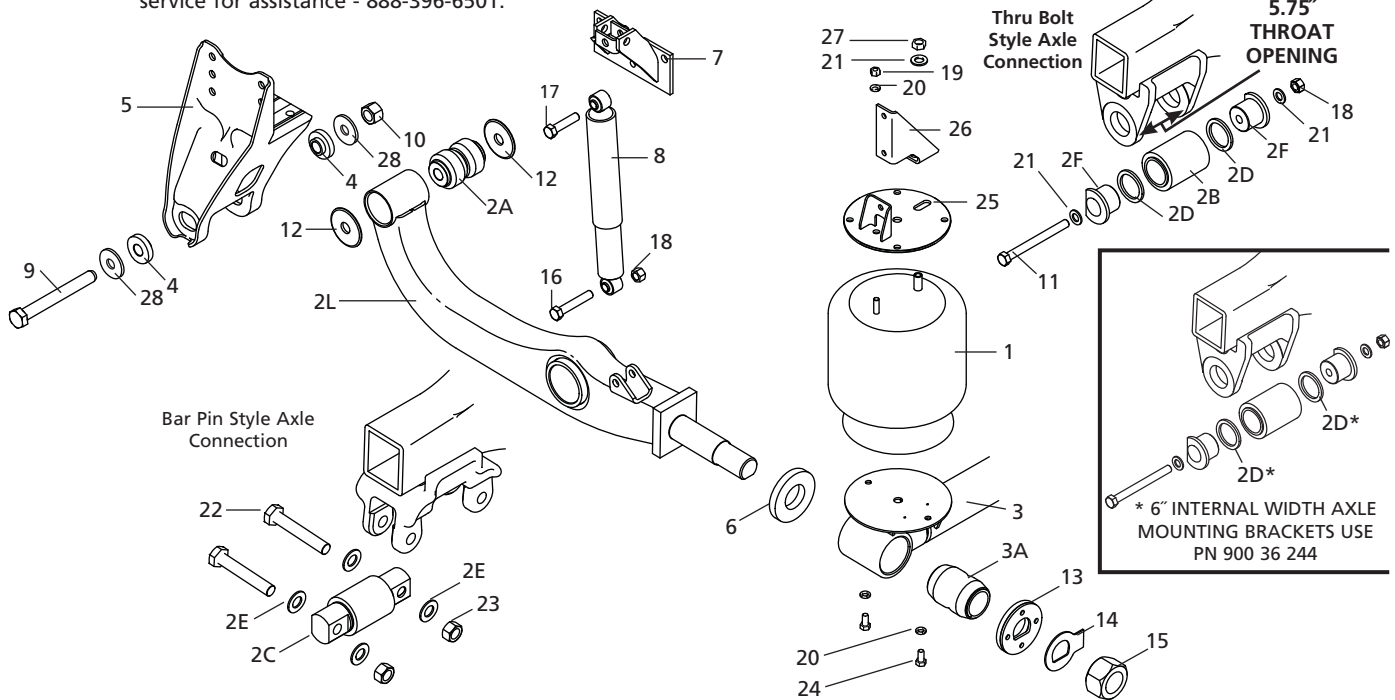
ITEM #	AD-123/246/369 PART NO.	DESCRIPTION	AXLE GROUPINGS		
			SINGLE QTY.	TANDEM QTY.	TRIDEM QTY.
1	**	Air Spring with mounting bracket	2	4	6
2L	**	Eq. Beam Assembly - Left Hand - Thru Bolt Design	1	2	3
2R	**	Eq. Beam Assembly - Right Hand - Thru Bolt Design	1	2	3
2L	**	Eq. Beam Assembly - Left Hand - Bar Pin Design	1	2	3
2R	**	Eq. Beam Assembly - Right Hand - Bar Pin Design	1	2	3
2A	900 08 252	Rubber Bushing - Front Pivot	2	4	6
2B	900 08 008	Bushing - Beam Center - Thru Bolt style	2	4	6
2C	900 08 175	Bushing - Beam Center - Bar Pin style	2	4	6
2D	900 01 065	Washer for Thru Bolt style connection	4	8	12
2E	900 01 205	Washer for Bar Pin style connection	4	8	12
3	**	Transverse Beam Assembly	1	2	3
3A	900 08 219	Bushing - Transverse Beam	2	4	6
4	900 08 120****	Alignment Bushing (Qty. per adjustable bracket)**	2	4	6
5	**	Frame Bracket - LH adjustable (requires item 4)	1	2	3
	**	Frame Bracket - RH fixed	1	2	3
6	936 00 498	Spacer Washer	2	4	6
7	**	Upper Shock Bracket	2	4	6
8	**	Shock Absorber	2	4	6
9	932 01 055	Hex Bolt 1-1/8" - 7 x 9.53"	2	4	6
10	934 00 506	Hex Nut 1-1/8" - 7	2	4	6
11	930 03 693	Hex Bolt 3/4" - 10 x 7-1/2" (Thru Bolt Design only)	2	4	6
12	936 00 502	Washer - Pivot Spacer	4	8	12
13	905 36 006	Locking Spacer Assembly	2	4	6
14	936 00 533	Lock Tab Washer	2	4	6
15	934 00 607	Heavy Hex Nut 2-1/4" - 8	2	4	6
16	930 03 615	Cap Screw 3/4" - 10 x 4.25"	2	4	6
17	930 03 591	Cap Screw 3/4" - 10 x 3.25"	2	4	6
18	934 00 492	Hex Nut 3/4"	2***	4***	6***
19	934 00 136	Hex Nut 1/2"	2	4	6
20	936 00 072	Lock Washer 1/2"	2	4	6
21	936 00 168	Washer Flat Narrow 1"	8	16	24
22	934 00 502	Hex Nut Lock 1"-8	4	8	12
23	936 00 156	Washer Flat Narrow (Thru) 3/4"	4	8	12
24	900 01 002	Bushing Adapter (Thru)	4	8	12
25	930 04 301	Cap Screw - 1" - 8 x 6" Gr. 8 (Bar Pin Only)	4	8	12
26	936 00 174	Washer Flat Narrow 1.12" (Hardened)	4	8	12

** Refer to the chassis builder specifications to properly identify the Holland part numbers for the components noted with " ** ". A serial tag may be affixed to the transverse beam that also denotes the Holland kit number that will provide the individual component numbers needed.

*** The quantity shown is for a bar pin style unit. If a thru bolt style is used, increase the quantity by two per axle.

**** Fabricated frame brackets may use a different alignment bushing. Part number shown is for cast hanger. Provide kit # from serial tag or frame bracket part number from OEM build (VIN) to SAF-HOLLAND service for applicable part number.

IMPORTANT: AD Series Suspension components vary by assembly part number and OEM/Chassis builder specifications. To ensure proper part number identification before placing order, refer to OEM/Chassis builder's specifications or visually check component to be replaced for part number. If part number can not be identified or confirmed please contact SAF-HOLLAND technical service for assistance - 888-396-6501.



ITEM #	AD-126/252/378 PART NO.	DESCRIPTION	AXLE GROUPINGS		
			SINGLE QTY.	TANDEM QTY.	TRIDEM QTY.
1	**	Air Spring	2	4	6
2L	**	Eq. Beam Assembly - Left Hand - Thru Bolt Design (shown)	1	2	3
2R	**	Eq. Beam Assembly - Right Hand - Thru Bolt Design	1	2	3
2L	**	Eq. Beam Assembly - LH - Bar Pin Design (side view)	1	2	3
2R	**	Eq. Beam Assembly - Right Hand - Bar Pin Design	1	2	3
2A	900 08 252	Bushing - Front Pivot	2	4	6
2B	900 08 195	Bushing - Beam Center - Thru Bolt style	2	4	6
2C	905 08 012	Bushing - Beam Center - Bar Pin style	2	4	6
2D	900 36 210	Washer for Thru Bolt style connection (see inset diagram)	4	8	12
2E	936 00 168	Washer for Bar Pin style connection	8	16	24
2F	900 01 002	Adapter Bushing	4	8	12
3	**	Transverse Beam Assembly	1	2	3
3A	900 08 219	Bushing - Transverse Beam	2	4	6
4	900 08 120****	Alignment Bushing (qty. per Adj. bracket)**	2	4	6
5	**	Frame Bracket - LH adjustable (Shown) (Requires Item 4)	1	2	3
	**	Frame Bracket - RH fixed	1	2	3
6	900 36 209	Washer	2	4	6
7	**	Upper Shock Bracket	2	4	6
8	**	Shock Absorber	2	4	6
9	932 01 055	Cap Screw 1.12" - 7 x 9.53"	2	4	6
10	934 00 506	Lock Nut 1.12" - 7	2	4	6
11	930 03 693	Cap Screw 3/4" - 10 x 7 1/2" (Thru Bolt Design only)	2	4	6
12	936 00 502	Washer - Pivot Spacer	4	8	12
13	905 36 006	Locking Spacer Assembly	2	4	6
14	936 00 533	Tab Washer	2	4	6
15	934 00 607	Heavy Hex Nut 2 1/4" - 8	2	4	6
16	930 03 615	Cap Screw 3/4" - 10 x 4.25"	2	4	6
17	930 03 591	Cap Screw 3/4" - 10 x 3.25"	2	4	6
18	934 00 492	Lock Nut 3/4"	2 ***	4 ***	6 ***
19	934 00 136	Hex Nut 1/2"	2	4	6
20	936 00 072	Lock Washer 1/2"	6	12	18
21	936 00 156	Washer Flat Narrow 0.75"	2	4	6
22	930 04 301	Bolt Hex 1" - 8x6" Gr 8	4	8	12
23	934 00 502	Nut Hex Lock 1" - 8	4	8	12
24	930 02 893	Bolt Hex 0.5" - 13x1" Gr 2	4	8	12
25	905 31 001	Air Spring Mounting Plate	2	4	6
26	900 23 131	Brace	2	4	6
27	934 00 417	Nut Hex Lock Thin .75" - 16 Gr A	2	4	6
28	936 00 174	Washer Flat Narrow 1.12" (Hardened)	4	8	12

** Refer to the chassis builder specifications to properly identify the Holland part numbers for the components noted with " ** ". A serial tag maybe affixed to the transverse beam that also denotes the Holland kit number that will provide the individual component numbers needed. *** The quantity shown is for a bar pin style unit. If a thru bolt style is used, increase the quantity by two per axle.

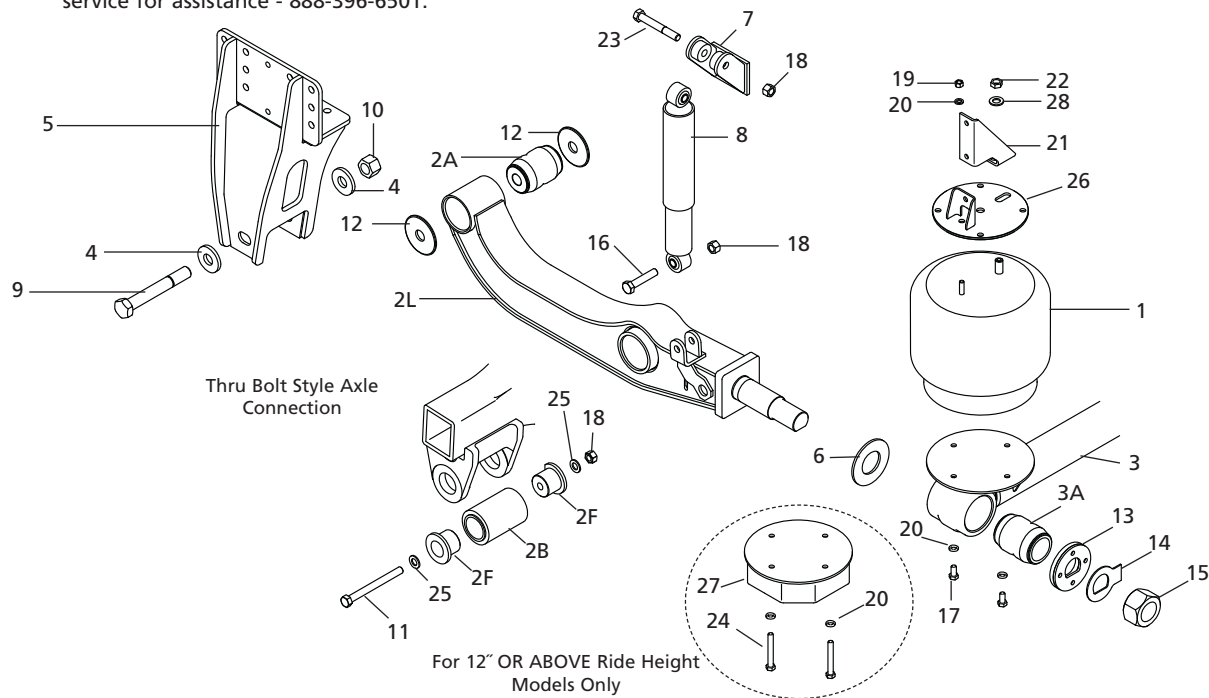
**** Fabricated frame brackets may use a different alignment bushing. Part number shown is for cast hanger. Provide kit # from serial tag or frame bracket part number from OEM build (VIN) to SAF-HOLLAND service for applicable part number.

AD-130/260/390 Series Parts List



SAF-HOLLAND Group

IMPORTANT: AD Series Suspension components vary by assembly part number and OEM/Chassis builder specifications. To ensure proper part number identification before placing order, refer to OEM/Chassis builder's specifications or visually check component to be replaced for part number. If part number can not be identified or confirmed please contact SAF-HOLLAND technical service for assistance - 888-396-6501.



ITEM #	AD-130/260/390 PART NO.	DESCRIPTION	AXLE GROUPINGS		
			SINGLE QTY.	TANDEM QTY.	TRIDEM QTY.
1	**	Air Spring with mounting bracket	2	4	6
2L	**	Eq. Beam Assembly - Left Hand - Thru Bolt Design (shown)	1	2	3
2R	**	Eq. Beam Assembly - Right Hand - Thru Bolt Design	1	2	3
2A	900 08 256	Bushing - Front Pivot	2	4	6
2B	900 08 225	Bushing - Beam Center - Thru Bolt style	2	4	6
2F	900 01 349	Adapter Bushing	4	8	12
3	**	Transverse Beam Assembly	1	2	3
3A	900 08 135	Bushing - Transverse Beam	2	4	6
4	900 08 232	Alignment Bushing (qty. per Adj. Bracket)	2	4	6
5	**	Frame Bracket - LH adjustable (Shown, requires Item 4)	1	2	3
	**	Frame Bracket - RH fixed	1	2	3
6	936 00 498	Washer	2	4	6
7	**	Upper Shock Bracket	2	4	6
8	**	Shock Absorber	2	4	6
9	932 01 068	Cap Screw 1.25" - 7 x 9"	2	4	6
10	934 00 510	Lock Nut 1.25" - 7	2	4	6
11	930 03 705	Cap Screw 3/4" - 10 x 8.00" (Thru Bolt Design only)	2	4	6
12	936 00 546	Washer - Pivot Spacer	4	8	12
13	905 36 006	Locking Spacer Assembly	2	4	6
14	936 00 533	Tab Washer	2	4	6
15	934 00 607	Heavy Hex Nut 2 1/4" - 8	2	4	6
16	930 03 603	Cap Screw 3/4" - 10 x 3.75"	2	4	6
17	930 02 893	Cap Screw 1/2" - 13 x 1"	4	8	12
18	934 00 492	Lock Nut 3/4"	6	12	18
19	934 00 136	Hex Nut 1/2"	2	4	6
20	936 00 072***	Lock Washer 1/2"	6	12	18
21	900 23 131	Brace Angle	2	4	6
22	934 00 417	Hex Nut Thin - 0.75" - 16 Gr A	2	4	6
23	930 03 645	Cap Screw 3/4" - 10 x 5.5"	2	4	6
24	930 02 961	Bolt Hex 0.5"-13 x 4" Long Gr 5 - for 12" ride height models only	4	8	12
25	936 00 156	Washer Flat Narrow 0.75"	4	8	12
26	905 31 001	Plate Air Spring Mounting Upper	2	4	6
27	905 36 009	Spacer Air Spring Assembly - for 12" or above ride height models only	2	4	6

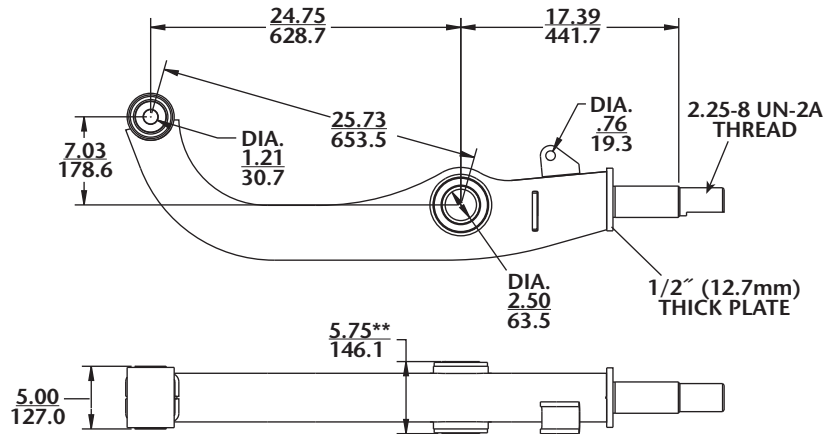
** Refer to the chassis builder specifications to properly identify the Holland part numbers for the components noted with " ** ". A serial tag maybe affixed to the transverse beam that also denotes the Holland kit number that will provide the individual component numbers needed.

*** For 12" ride height models, increase quantity by 4 per axle.

(Left Hand/Road Side Beams Shown)

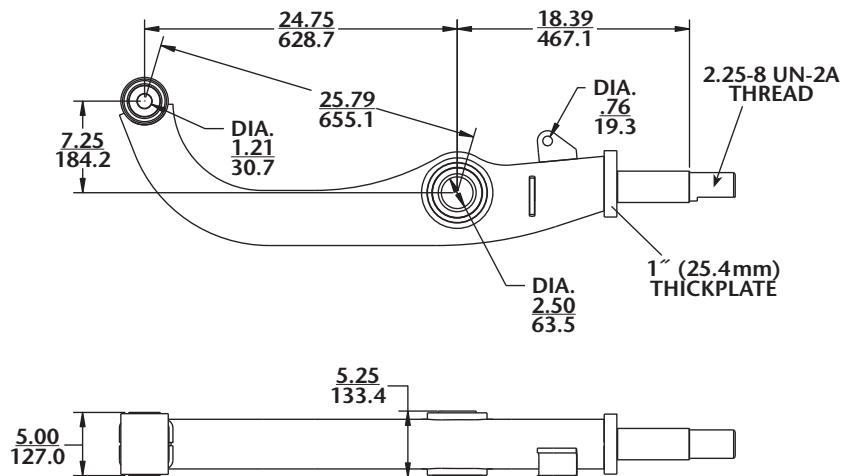
Measurements on this page show $\frac{\text{Inches}}{\text{Millimeters}}$

MODEL: AD-123 / 246 / 369

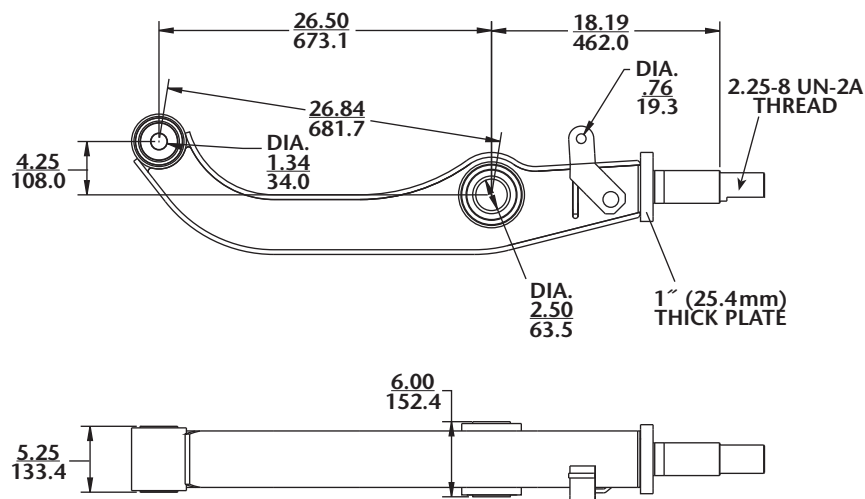


** Dimension includes spacer washer. Dimension is 5.25" (133.4mm) without spacers included.

MODEL: AD-126 / 252 / 378



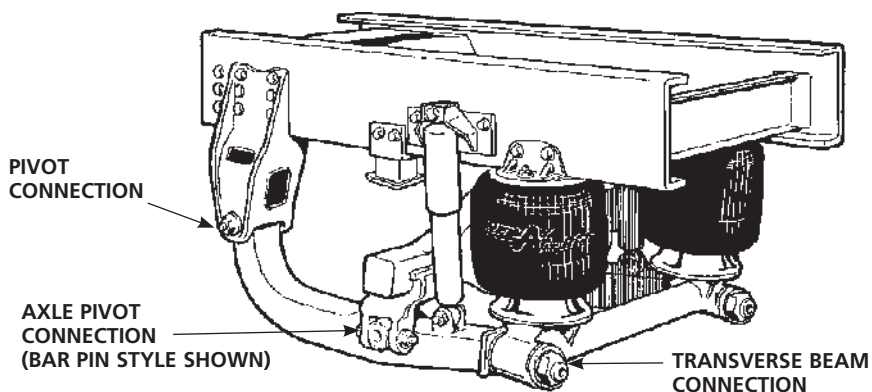
MODEL: AD-130 / 260 / 390



AD-123/246/369, AD-126/252/378, AD-130/260/390 Service Repair Kits (SRKs)



SAF-HOLLAND Group



When servicing your AD Series suspension, use the convenient service repair kits noted below.

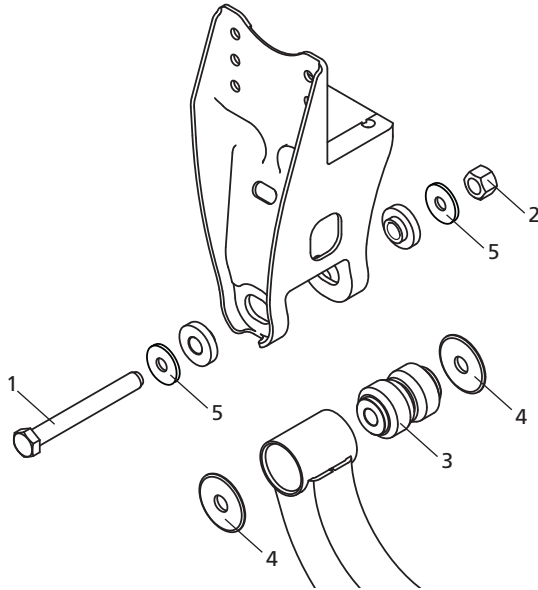
Descriptions are found on the following pages.

NOTE: One (1) SRK Required per axle.

MODEL	FRONT PIVOT CONNECTION	AXLE THRU BOLT CONNECTION	AXLE BAR PIN CONNECTION	TRANSVERSE BEAM CONNECTION
AD-123/246/369	SRK-563	SRK-80	SRK-452	SRK-214
AD-126/252/378	SRK-563	SRK-471	SRK-450	SRK-472
AD-130/260/390	SRK-565	SRK-498	N/A	SRK-500

NOTE: New alignment bushings recommended when alignment bushing surface become deformed. Refer to parts list.

NOTE: Item 4 is not used on former Ford production units.



**Pivot Connection — Heavy Duty AD-123/-126 Series
SRK-563: 481 00 427**
(Replaces SRK-200)

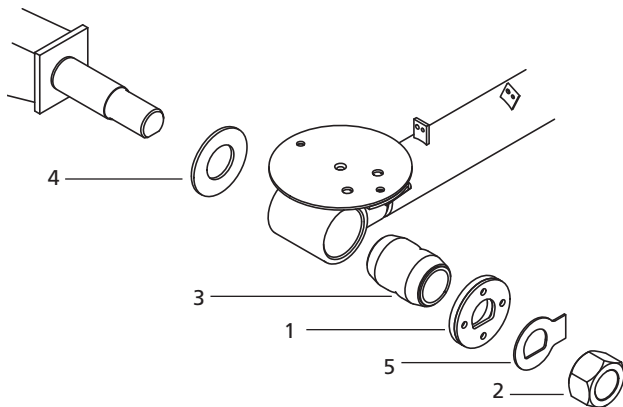
ITEM	PART NO.	DESCRIPTION	QTY.
1	932 01 055	Rod Bolt 1 1/8" - 7 x 9.53"	2
2	934 00 506	Lock Nut 1 1/8" - 7	2
3	900 08 252	Bushing	2
4	936 00 502	Spacer Washer 1 1/8"	4
5	936 00 174	Washer Flat Narrow 1.12" (Hardened)	4
	XL-AK399-01	Torque Specification Decal	1
	XL-AK424	AD Service Repair Kits Literature	1

**Pivot Connection — Heavy Duty AD-130 Series
SRK-565: 481 00 429**
(Replaces SRK-499)

ITEM	PART NO.	DESCRIPTION	QTY.
1	932 01 068	Rod Bolt 1 1/4" - 7 x 9.00"	2
2	934 00 510	Lock Nut 1 1/4" - 7	2
3	900 08 256	Bushing	2
4	936 00 546	Spacer Washer	4
	XL-AK399-01	Torque Specification Decal	1
	XL-AK424	AD Service Repair Kits Literature	1

**Transverse Beam Connection — AD-123 Series
SRK-214: 481 00 276**

ITEM	PART NO.	DESCRIPTION	QTY.
1	905 36 006	Lock Spacer	2
2	934 00 607	Heavy Nut 2 1/4"-8	2
3	900 08 219	Bushing	2
4	936 00 498	Washer - Spacer	2
5	936 00 533	Tab Washer	2



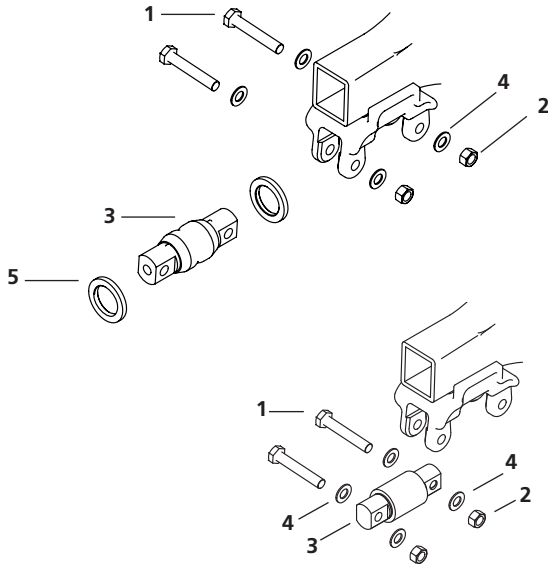
**Transverse Beam Connection — AD-126 Series
SRK-472: 481 00 335**

ITEM	PART NO.	DESCRIPTION	QTY.
1	905 36 006	Lock Spacer	2
2	934 00 607	Heavy Nut 2 1/4"-8	2
3	900 08 219	Bushing	2
4	900 36 209	Washer - Spacer	2
5	936 00 533	Tab Washer	2

**Transverse Beam Connection — AD-130 Series
SRK-500: 481 00 364**

ITEM	PART NO.	DESCRIPTION	QTY.
1	905 36 006	Lock Spacer	2
2	934 00 607	Heavy Nut 2 1/4"-8	2
3	900 08 135	Bushing	2
4	936 00 498	Washer - Spacer	2
5	936 00 533	Tab Washer	2

NOTE: See illustration at bottom of page 14.



Transverse Beam Connection — AD-130 Series

SRK-564: 481 00 428

ITEM	PART NO.	DESCRIPTION	QTY.
4	900 36 165	Spacer Washer	2
5	936 00 533	Tab Washer	2

Axle Bar Pin Connection — AD-123 Series

SRK-452: 481 00 315

ITEM	PART NO.	DESCRIPTION	QTY.
1	930 04 301	Cap Screw - Bar Pin Only 1"- 8 x 6" Gr. 8	4
2	934 00 502	Hex Nut Lock 1"-8	4
3	905 08 175	Bushing - Beam Center	2
4	936 00 168	Washer Flat Narrow 1"	8
5	900 01 205	Spacer Washer	4

Axle Bar Pin Connection — AD-126 Series

SRK-450: 481 00 313

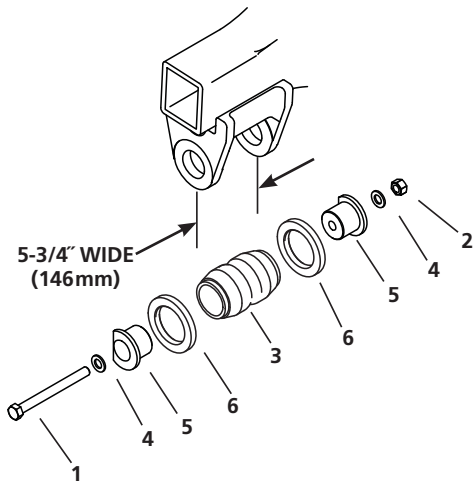
ITEM	PART NO.	DESCRIPTION	QTY.
1	930 04 301	Cap Screw - Bar Pin Only 1"- 8 x 6" Gr. 8	4
2	934 00 502	Nut Hex Lock 1"- 8	4
3	905 08 012	Bushing - Beam Center	2
4	936 00 168	Washer Flat Narrow 1"	8

NOTE: The AD-130 Series does not utilize the bar pin connection

Axle Thru Bolt Connection — AD-123 Series

SRK-80: 481 00 124

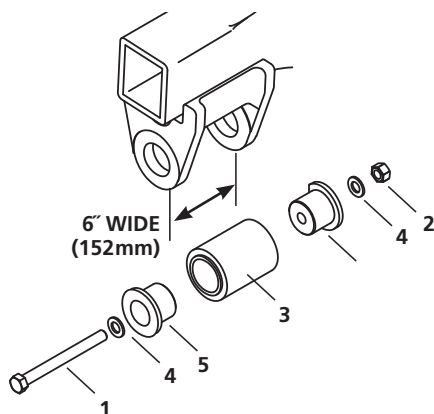
ITEM	PART NO.	DESCRIPTION	QTY.
1	930 03 693	Hex Bolt 3/4"- 10 x 7 1/2"	2
2	934 00 492	Hex Nut 3/4"	2
3	900 08 008	Bushing - Beam Center	2
4	936 00 156	Washer Flat Narrow 3/4"	4
5	900 01 002	Adapter Bushing	4
6	900 01 065	Spacer Washer	4



Axle Thru Bolt Connection — AD-126 Series

SRK-471: 481 00 334

ITEM	PART NO.	DESCRIPTION	QTY.
1	930 03 693	Hex Bolt 3/4"- 10 x 7 1/2"	2
2	934 00 492	Hex Nut 3/4"	2
3	900 08 195	Bushing - Beam Center	2
4	936 00 156	Washer Flat Narrow 3/4"	4
5	900 01 002	Adapter Bushing	4
6	900 36 210	Spacer Washer	4



Axle Thru Bolt Connection — AD-130 Series

SRK-498: 481 00 362

ITEM	PART NO.	DESCRIPTION	QTY.
1	930 03 705	Hex Bolt 3/4"- 10 x 8"	2
2	934 00 492	Hex Nut 3/4"	2
3	900 08 225	Bushing - Beam Center	2
4	936 00 156	Washer Flat Narrow 3/4"	4
5	900 01 349	Adapter Bushing	4



SAF-HOLLAND Group

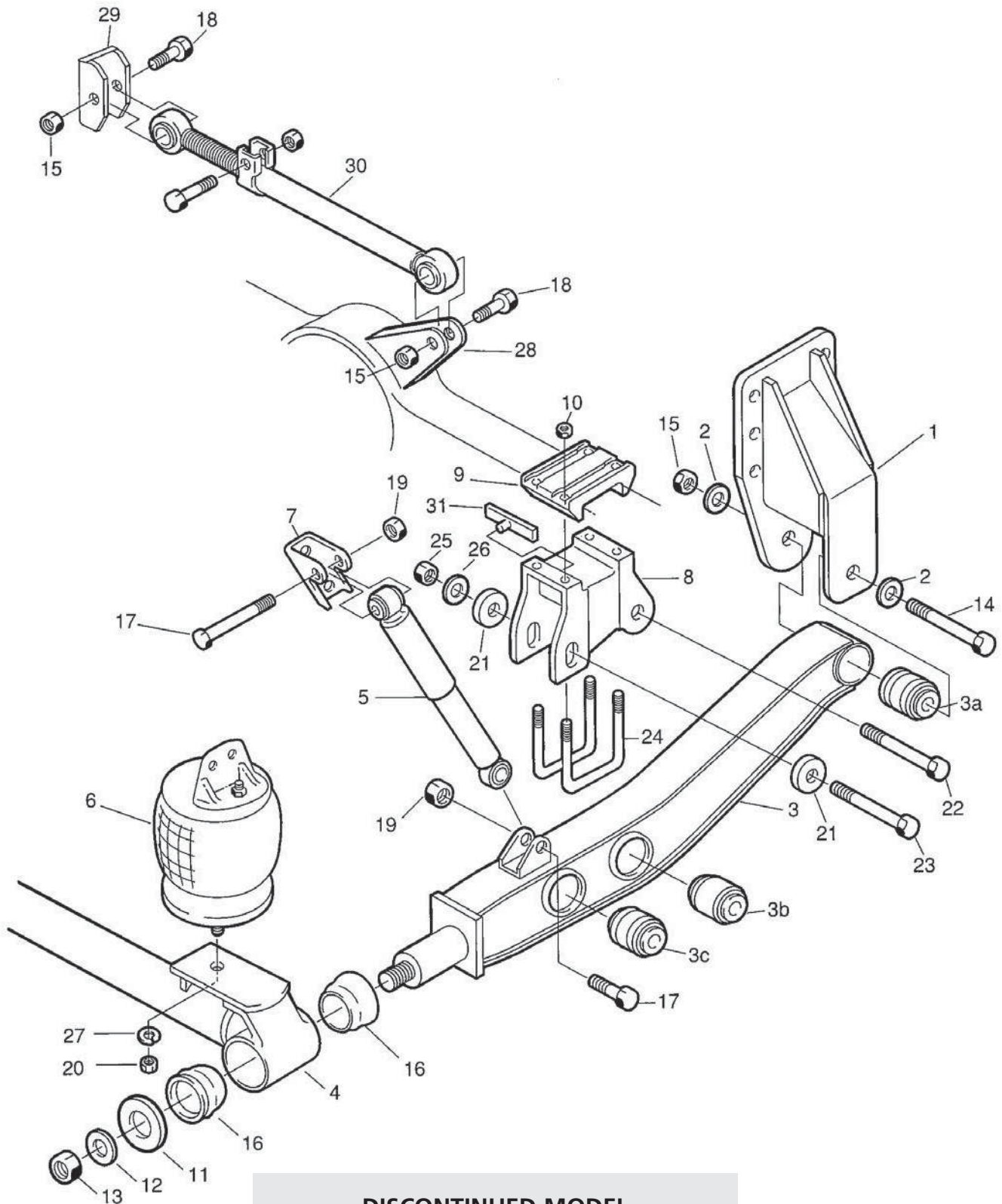
Truck, Bus & Motorhome Suspension Parts Reference Guide

THIS PAGE INTENTIONALLY LEFT BLANK

AD-200-7, -8, -9, -11 Exploded View



SAF-HOLLAND Group



**DISCONTINUED MODEL
SERVICE PARTS ONLY**
Please contact Customer Service for part availability
888.396.6501



ITEM	PART NO.	DESCRIPTION	QTY REQD	RIDE HEIGHT
1	*	Frame Bracket	2	All
2	900 08 166	Alignment Bushing	4	All
3	905 16 585	Equalizing Beam Assembly (Includes item #3a, 3b,3c,18)	2	All
3a	900 08 165	Rubber Bushing (Front Pivot)	2	All
3b	900 08 191	Rubber Bushing (Front Axle Connection)	2	All
3c	900 08 190	Rubber Bushing (Rear Axle Connection)	2	All
4	905 45 368	Transverse Beam Assembly	1	All
5	900 45 138	Shock Absorber	2	All
6	905 57 161	Air Spring	2	7
	905 57 166	Air Spring	2	8
	905 57 208	Air Spring	2	9
	905 57 146	Air Spring	2	11
7	900 18 542	Upper Shock Bracket	2	All
8		<i>Reference Axle Adapter Chart Listed Below</i>	2	All
9		<i>Reference Axle Adapter Chart Listed Below</i>	2	All
10		<i>Reference Axle Adapter Chart Listed Below</i>	8	All
11	900 36 007	Spacer Washer	2	All
12	936 00 180	Washer 1-3/8	2	All
13	934 00 511	Nut 1-1/4 - 12 GrC	2	All
14	930 03 905	Hex Bolt 7/8 - 9 x 7-1/2" Gr8	2	All
15	934 00 498	Lock Nut 7/8 - 9 GrC	4	All
16	900 08 113	Rubber Bushing (Transverse Beam)	4	All
17	930 03 603	Cap Screw 3/4 - 10 x 3 3/4" Gr5	4	All
18	930 03 831	Cap Screw 7/8 - 9 x 4-1/2" Gr5	2	All
19	934 00 492	Nut 3/4 - 10 GrB	4	All
20	934 00 136	Nut 1/2 - 13 GrB	2	All
21	900 08 192	Alignment Bushing	4	All
22	930 04 529	Cap Screw 1-1/8 - 7 x 7" Gr8	2	All
23	930 04 553	Cap Screw 1-1/8 - 7 x 8" Gr8	2	All
24		<i>Reference Axle Adapter Chart Listed Below</i>	4	All
25	934 00 506	Lock Nut 1-1/8 - 7 GrC	4	All
26	936 00 174	Washer	4	All
27	936 00 072	Lock Washer 1/2	2	All
28	900 44 874	Control Arm Bracket	1	All
29	900 18 472	Control Arm Bracket	1	All
30	900 45 172	Adjustable Torque Rod	1	All
31	900 44 887	Plastic Shim	2	All

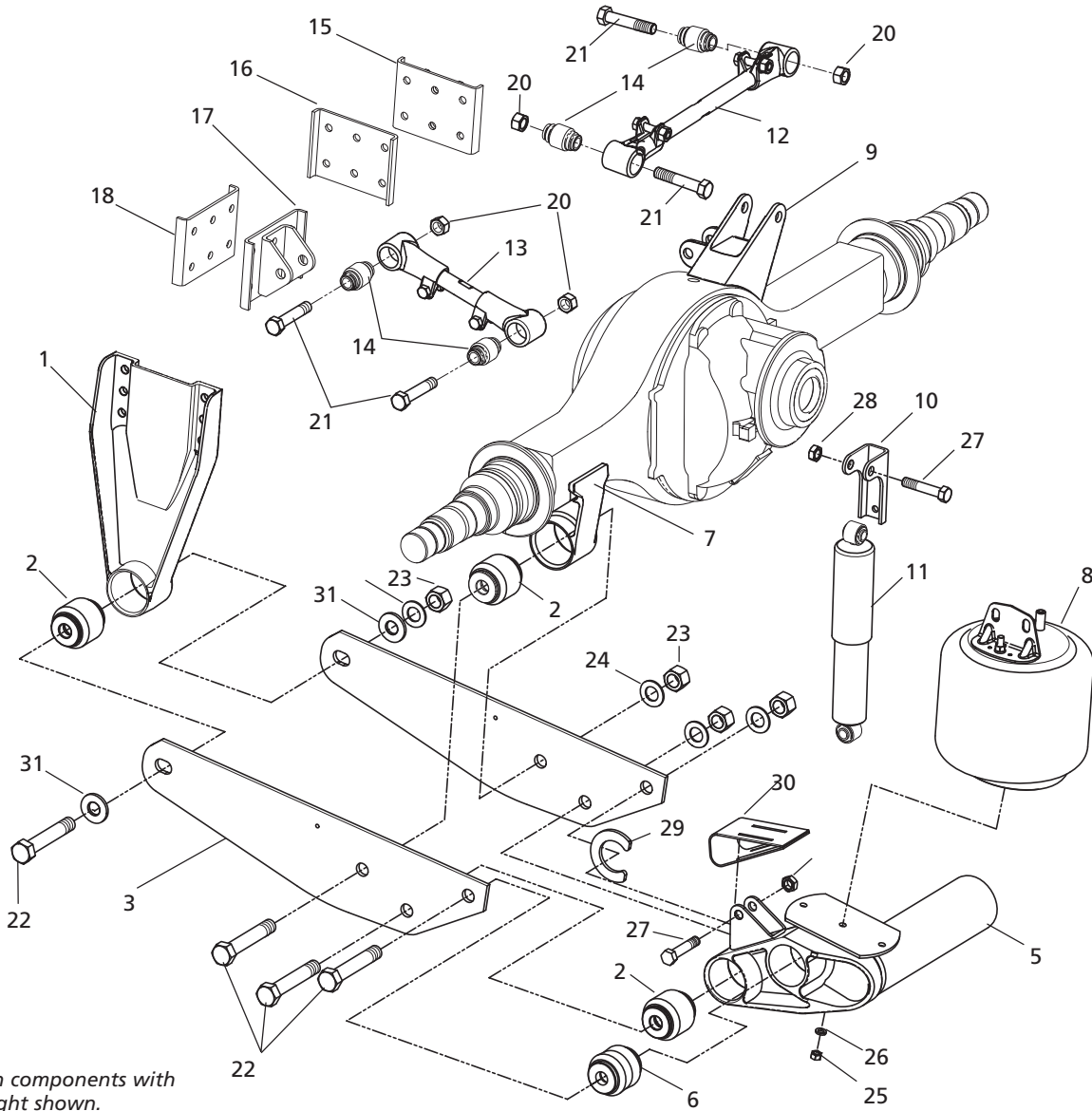
*Contact Customer Service - 888.396.6501 for Frame Bracket part numbers.

ITEM	DESCRIPTION	Axle Application		
		3.82 x 4.25	4.25 x 5.00	4.61 x 5.28
8	Axle Adapter (Includes item #31)	905 01 296	905 01 297	905 01 298
9	Axle Cap	900 01 229	900 01 228	900 01 211
10	Lock Nut 3/4 - 10 GrC	934 00 494	934 00 494	
	Lock Nut 7/8 - 9 GrC			934 00 498
24	U-Bolt 3/4 - 10 x 7-1/8" Gr8	900 42 897	900 42 897	
	U-Bolt 7/8 - 9 x 7-1/2" Gr8			900 42 896

ADL-120 Exploded View



SAF-HOLLAND Group



Suspension components with 7" ride height shown.

**DISCONTINUED MODEL
SERVICE PARTS ONLY**
Please contact Customer Service for part availability
888.396.6501



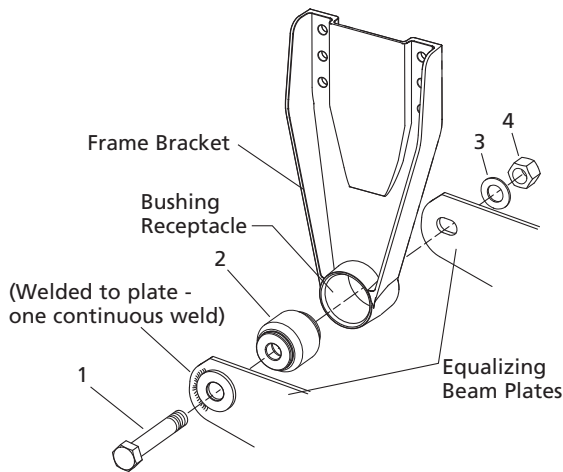
ITEM	PART NO.	DESCRIPTION	QTY REQD
1a	*	Frame Bracket Assembly - Standard Rail (shown)	2
1b	*	Frame Bracket Assembly - Stacked Rail (not shown)	2
2	900 08 211	Bushing - Pivot, Axle, Front Transverse Beam	6
3	900 15 113**	Equalizing Beam - Adjustable	2
4	900 15 115†	Equalizing Beam - Fixed (not shown)	2
5a	905 47 733	Transverse Beam - For 34.0 - 34-1/2" Frame Rail Width	1
5b	905 47 813	Transverse Beam - For 34.25" Frame Rail Width	1
5c	905 57 736	Transverse Beam - For 34.62" Frame Rail Width	1
6	900 08 241	Bushing - Rear Transverse Beam	2
7	905 01 427	Axle Adapter	2
8	905 57 290	Air Spring	2
9	900 18 670	Control Arm Axle Bracket	1
10a	900 18 031	Shock Upper Bracket - For Short Frame Rail	2
10b	900 18 542	Shock Upper Bracket - For Standard Frame Rail	2
11a	900 45 443	Shock Absorber - Standard Bus	2
11b	Contact OEM	Shock Absorber - For RV Applications	2
12	905 47 801	Track Bar - Adjustable	1
13	905 47 800	Torque Rod - Adjustable	1
14	900 08 243	Bushing - Track Bar End and Torque Rod	4
15	905 01 439	Bracket - Track Bar Frame	1
16	900 26 068	Plate Reinforcement	1
17	900 18 658*	Bracket - Torque Rod Crossmember	1
18	900 26 068	Plate Reinforcement - For Crossmember	1
19	900 36 251	Shim Adapter	2
20	934 00 498	Hex Lock Nut 0.875-9 GrC	4
21	930 03 833	Hex Bolt 0.875-9 x 4-1/2" Gr8	4
22	930 04 517	Hex Bolt 1.125-7 x 6-1/2" Gr8	8
23	934 00 506	Hex Nut 1.125-7 GrC	8
24	936 00 174	Flat Washer - Narrow 1.12"	8
25	934 00 136	Hex Nut 0.5-12 GrB	2
26	936 00 072	Lock Washer 0.53	2
27	930 03 599	Hex Bolt 0.75-10 x 3-1/2" Gr8	4
28	934 00 494	Hex Lock Nut 0.75-10 GrC	4
29	900 36 249	C-Shape Spacer Washer	2
30	900 45 456	Debris Shield	2
31	900 08 242	Alignment Block	2

* Parts 1 and 17 change for 9" ride height. Refer to the OE/vehicle manufacturer's build specifications to properly identify the Holland Neway part numbers for the components noted by a single asterisk "*". A serial tag may be affixed to the transverse beam that also denotes the Holland Neway kit number that will provide the individual component numbers needed.

For disc brake compatible beams in Figure 3, Item 3 is p/n 90034561**, Item 4, is p/n 90034563†.

IMPORTANT: The part numbers listed may or may not correspond with your vehicle's ADL installation. Contact your vehicle OEM for part specification and ordering information.

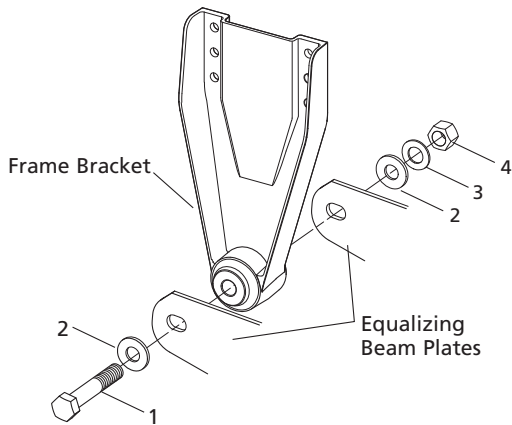
NOTE: Each Service Repair Kit contains enough parts to repair both sides of the suspension.



Pivot Connection

SRK-514 – Holland part number: 481 00 378

ITEM	PART NO.	DESCRIPTION	QTY.
1	930 04 517	Hex Bolt 1.13"-7x6.5 GR 8	2
2	900 08 211	Bushing	2
3	936 00 174	Washer Flat Narrow 1.12"	2
4	934 00 506	Hex Nut 1.125"-7 GR C	2

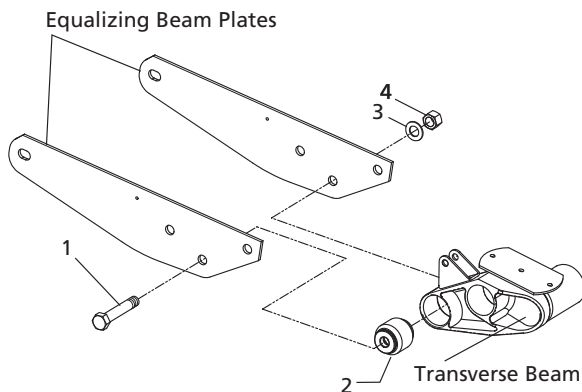


Pivot Connection Alignment Block

SRK-518 – Holland part number: 481 00 482

ITEM	PART NO.	DESCRIPTION	QTY.
1	930 04 517	Hex Bolt 1.13"-7x6.5 GR 8	2
2	900 08 242	Alignment Block	2
3	936 00 174	Washer Flat Narrow 1.12"	2
4	934 00 506	Hex Nut 1.125"-7 GR C	2

One side is adjustable and one side is fixed.

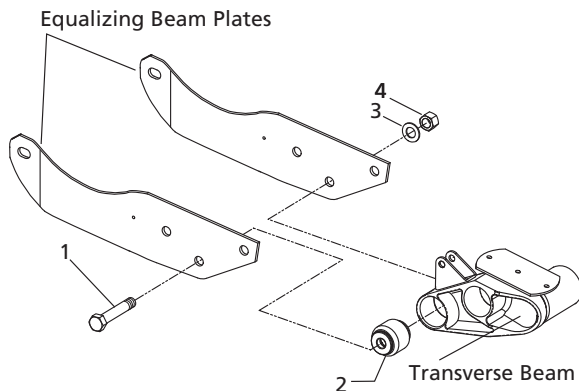


ADL-120 Front Transverse Beam Connection

SRK-514 – Holland part number: 481 00 378

Straight Blade

ITEM	PART NO.	DESCRIPTION	QTY.
1	930 04 517	Hex Bolt 1.13"-7x6.5 GR 8	2
2	900 08 211	Bushing	2
3	936 00 174	Washer Flat Narrow 1.12"	2
4	934 00 506	Hex Nut 1.125"-7 GR C	2



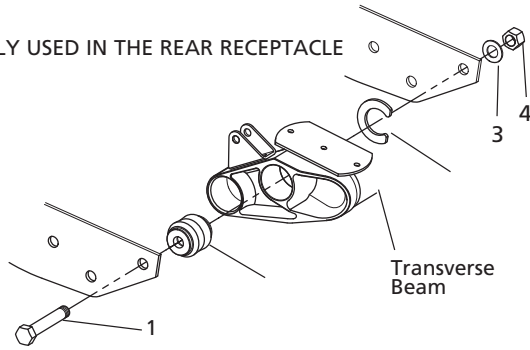
ADL-123 Front Transverse Beam Connection

SRK-514 – Holland part number: 481 00 378

Disc Brake Compatible Beams

ITEM	PART NO.	DESCRIPTION	QTY.
1	930 04 517	Hex Bolt 1.13"-7x6.5 GR 8	2
2	900 08 211	Bushing	2
3	936 00 174	Washer Flat Narrow 1.12"	2
4	934 00 506	Hex Nut 1.125"-7 GR C	2

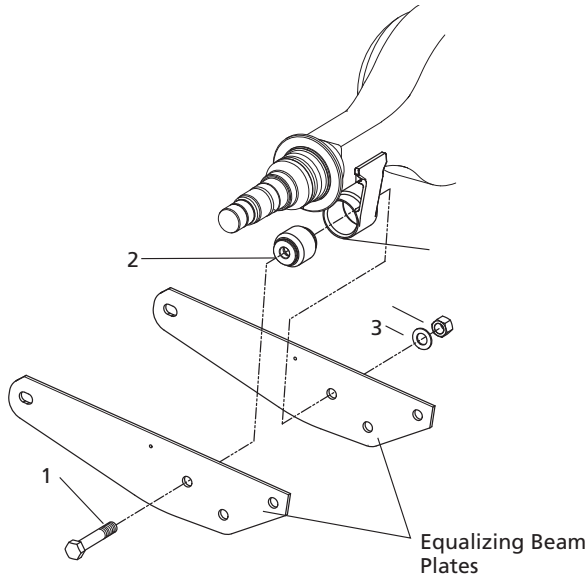
ONLY USED IN THE REAR RECEPTACLE



Rear Transverse Beam Connection

SRK-515 – Holland part number: 481 00 379

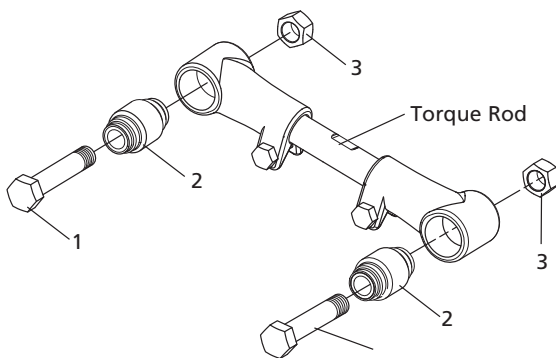
ITEM	PART NO.	DESCRIPTION	QTY.
1	930 04 517	Hex Bolt 1.13"-7x6.5 GR 8	2
2	900 08 241	Bushing	2
3	936 00 174	Washer Flat Narrow 1.12"	2
4	934 00 506	Hex Nut 1.125"-7 GR C	2



Axle Connection

SRK-514 – Holland part number: 481 00 378

ITEM	PART NO.	DESCRIPTION	QTY.
1	930 04 517	Hex Bolt 1.13"-7x6.5 GR 8	2
2	900 08 211	Bushing	2
3	936 00 174	Washer Flat Narrow 1.12"	2
4	934 00 506	Hex Nut 1.125"-7 GR C	2



Torque Rod and Track Bar Bushing

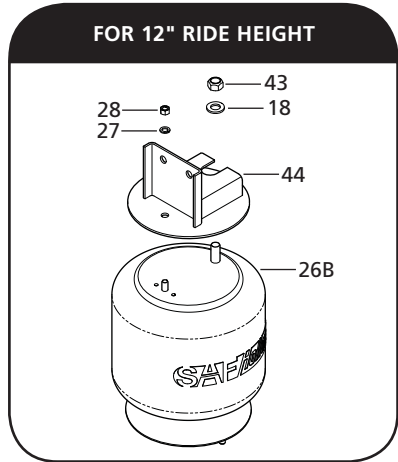
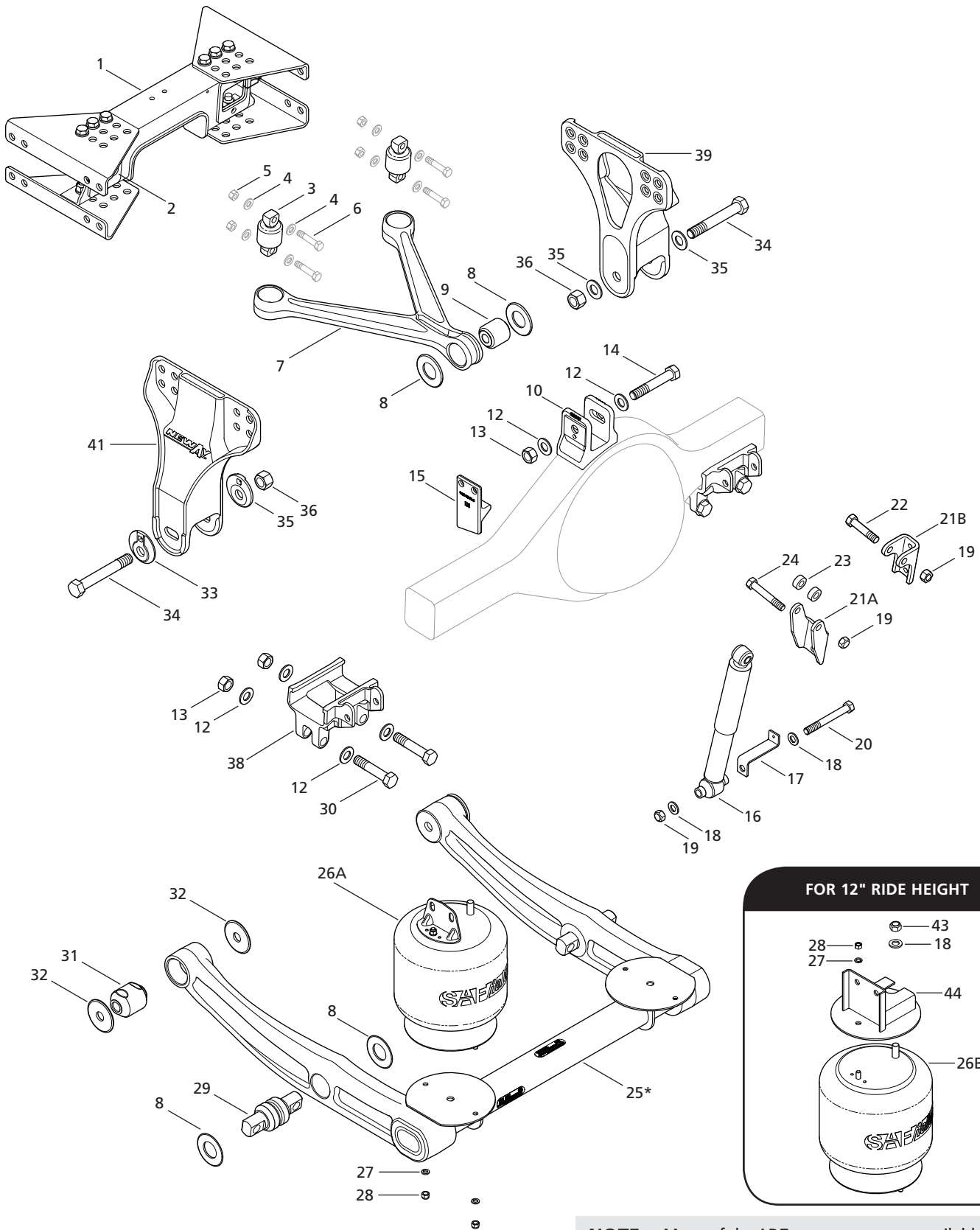
SRK-517 – Holland part number: 481 00 481

ITEM	PART NO.	DESCRIPTION	QTY.
1	930 03 845	Hex Bolt 0.875"-9x5 GR 8	2
2	900 08 243	Bushing	2
3	934 00 498	Hex Nut 0.875"-9 GR C	2

ADZ-123 Exploded View



SAF-HOLLAND Group



NOTE: Many of the ADZ components are available in Service Repair Kits found on Pages 5-20 – 5-22.



NOTE: Many of the ADZ components are available in Service Repair Kits found on Pages 5-20 – 5-22.

ITEM	DESCRIPTION	PART NUMBER	QTY.
1*	Frame Crossmember Assembly	Consult SAF-Holland	1
2	Backer Plate	900 34 740	2
3	Bar-Pin Bushing	900 08 265	2
4	Washer - .62" ID	Kenworth Supplied	8
5	Lock Nut - .62" GRC	Kenworth Supplied	4
6	Hex Bolt - .62"-11 x 3" GR8	Kenworth Supplied	4
7	V-Rod Assembly	905 48 900	1
8	Washer - 4" Dia. Tapered	936 00 561	6
9	Thru Bolt Bushing	900 08 264	1
10*	Upper Axle Bracket (V-Rod) **	Consult SAF-Holland	1
11	Pinion Plate (Replacement Only)	900 34 754	2
12	Washer - 1" Inside Dia.	936 00 168	10
13	Lock Nut - 1" GRC	934 00 502	5
14	Hex Bolt - 1"-8 x 6" GR8	930 04 301	1
15	Axle Stop - 10" Ride Height LH	900 45 616	2
	Axle Stop - 10" Ride Height RH	900 45 618	2
	Axle Stop - 12" Ride Height LH	900 45 620	2
	Axle Stop - 12" Ride Height RH	900 45 622	2
16	Shock Absorber	900 45 605	2
17	HCV Link Bracket	900 26 410	*
18	Washer - .75" ID	936 00 156	20
19	Lock Nut - .75"-10 GR C	934 00 494	12
20	Hex Bolt - .75"-10 x 6.5" GR5	930 03 669	2
21A*	Upper Shock Bracket 10" Ride Height	900 18 729	2
21B*	Upper Shock Bracket 12" Ride Height	900 18 542	2
22	Hex Bolt - .75"-10 x 3.5" GR5	930 03 597	2
23	Spacer Washer	900 36 278	4
24	Hex Bolt - .75"-10 x 4.75" GR5	930 03 627	2
25*	Lower Control Arm Assembly	Consult SAF-Holland	1
26A	Air Spring - 10" Ride Height	905 57 368	2
26B	Air Spring - 12" Ride Height	905 57 395	2
27	Lock Washer - .53" ID	936 00 072	4
28	Lock Nut - .50"-13 GRC	934 00 482	4
29	Bar-Pin Bushing	900 08 267	2
30	Hex Bolt - 1" x 8" GR8	930 04 277	4
31	Bushing	900 08 266	2

ITEM	DESCRIPTION	PART NUMBER	QTY.
32	Washer - 4" Dia. Tapered	936 00 502	4
33	Alignment Puck (Collar)	01123000101Z	2
34	Hex Bolt - 1.12"-7 x 7.5" GR8	930 06 037	2
35	Washer - 1.12" ID	936 00 174	2
36	Lock Nut - 1.12"-7 GRC	934 00 506	2
38*	Lower Axle Adapter Bracket Left & Right Hand**	Consult SAF-Holland	2
39	Frame Bracket - Fixed 10" Ride Height	900 18 727	1
40	Frame Bracket - Fixed 12" Ride Height	905 22 271	1
41	Frame Bracket - Adjustable 10" Ride Height	900 18 725	1
42	Frame Bracket - Adjustable 12" Ride Height	905 22 272	1
43	Lock Nut - .75"-16 GRC	934 00 495	2
44	Upper Air Spring Bracket 12" Ride Height	905 22 289	2

* It is recommended that you discuss your configuration with a SAF-HOLLAND Product Specialist.

** For Meritor: RT 40 / 41 / 45 - 145
RS 23 - 160
RT 46 - 160
For Dana: 23082T
523 - 170
526 - 190
DT46 - P
D46 - 170
46 - 590 HB (46 - 170)
DSP40 DSH40

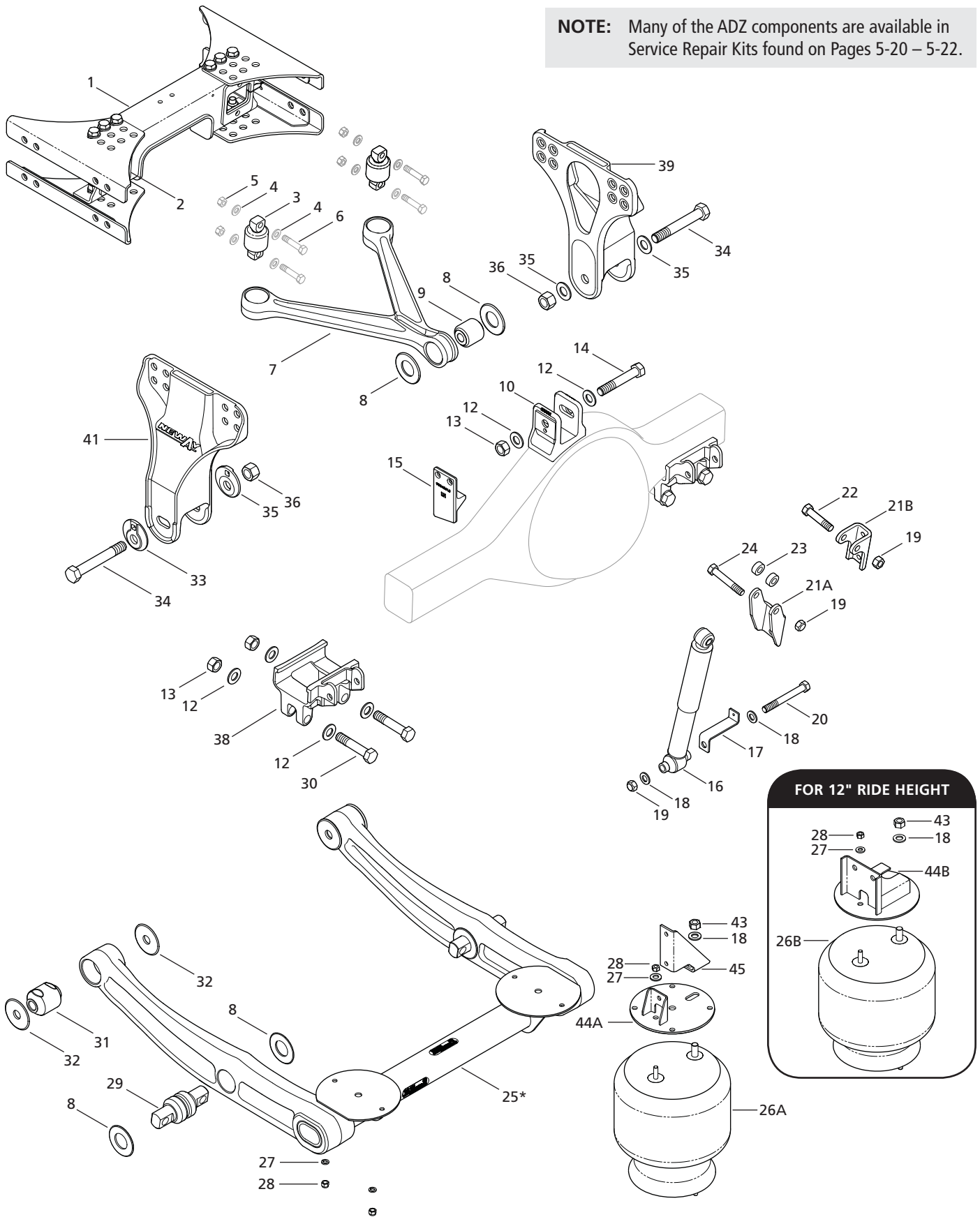
IMPORTANT: The part numbers listed may not correspond with your vehicle's ADZ installation. Contact your vehicle OEM for your specific part number information.

ADZ-126 Exploded View



SAF-HOLLAND Group

NOTE: Many of the ADZ components are available in Service Repair Kits found on Pages 5-20 – 5-22.





NOTE: Many of the ADZ components are available in Service Repair Kits found on Pages 5-20 – 5-22.

ITEM	DESCRIPTION	PART NUMBER	QTY.
1*	Frame Crossmember Assembly	Consult SAF-Holland	1
3	Bar-Pin Bushing	900 08 265	2
5	Lock Nut - .62" GRC	Kenworth Supplied	4
7	V-Rod Assembly	905 48 900	1
9	Thru Bolt Bushing	900 08 264	1
11	Pinion Plate (Replacement Only)	900 34 754	2
13	Lock Nut - 1" GRC	934 00 502	5
15	Axle Stop - 10" Ride Height LH Axle Stop - 10" Ride Height RH	900 45 616 900 45 618	2 2
16	Shock Absorber	900 45 605	2
18	Washer - .75" ID	936 00 156	20
20	Hex Bolt - .75"-10 x 6.5" GR5	930 03 669	2
21B*	Upper Shock Bracket 12" Ride Height	900 18 542	2
23	Spacer Washer	900 36 278	4
25*	Lower Control Arm Assembly	Consult SAF-Holland	1
26B	Air Spring - 12" Ride Height	905 57 395	2
28	Lock Nut - .50"-13 GRC	934 00 482	4
30	Hex Bolt - 1" x 8" GR8	930 04 277	4

ITEM	DESCRIPTION	PART NUMBER	QTY.
32	Washer - 4" Dia. Tapered	936 00 502	4
34	Hex Bolt - 1.12"-7 x 7.5" GR8	930 06 037	2
36	Lock Nut - 1.12"-7 GRC	934 00 506	2
39	Frame Bracket - Fixed 10" Ride Height	900 18 727	1
41	Frame Bracket - Adjustable 10" Ride Height	900 18 725	1
43	Lock Nut - .75"-16 GRC	934 00 495	2
44B	Upper Air Spring Bracket 12" Ride Height	905 22 289	2

* It is recommended that you discuss your configuration with a SAF-HOLLAND Product Specialist.

** For Meritor: RT 40 / 41 / 45 - 145
RS 23 - 160
RT 46 - 160
For Dana: 23082T
523 - 170
526 - 190
DT46 - P
D46 - 170
46 - 590 HB (46 - 170)
DSP40 DSH40

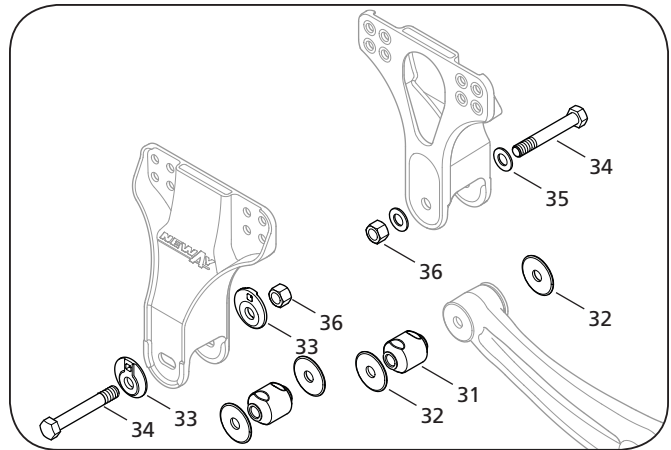
IMPORTANT: The part numbers listed may not correspond with your vehicle's ADZ installation. Contact your vehicle OEM for your specific part number information.

Front Pivot Bushing Connection Kit

Part Number: 481 00 509

SRK-643

ITEM	DESCRIPTION	PART NUMBER	QTY.
31	Bushing	900 08 266	2
33	Alignment Puck (Collar)	01123000101Z	2
35	Washer - 1.12" ID	936 00 174	2

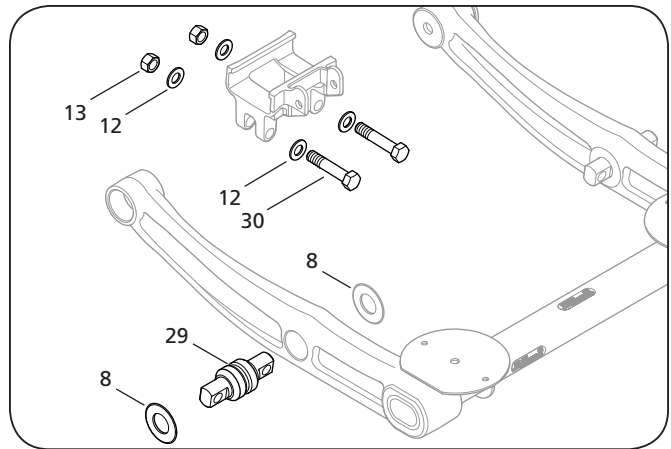


Axle Bar-Pin Bushing Connection Kit

Part Number: 481 00 510

SRK-644

ITEM	DESCRIPTION	PART NUMBER	QTY.
29	Bar-Pin Bushing	900 08 267	2
12	Washer - 1" Inside Dia.	936 00 168	8
30	Hex Bolt - 1" x 8" GR8	930 04 277	4

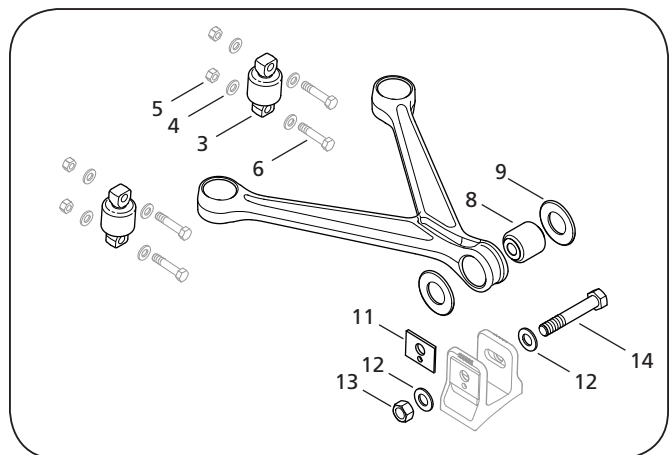


V-Rod Bushing Connection Kit

Part Number: 481 00 511

SRK-645

ITEM	DESCRIPTION	PART NUMBER	QTY.
3	Bar-Pin Bushing	900 08 265	2
5	Lock Nut - .62" GRC	Kenworth Supplied	4
8	Washer - 4" Dia. Tapered	936 00 561	2
11	Pinion Plate	900 34 725	2
13	Lock Nut - 1" GRC	934 00 502	1



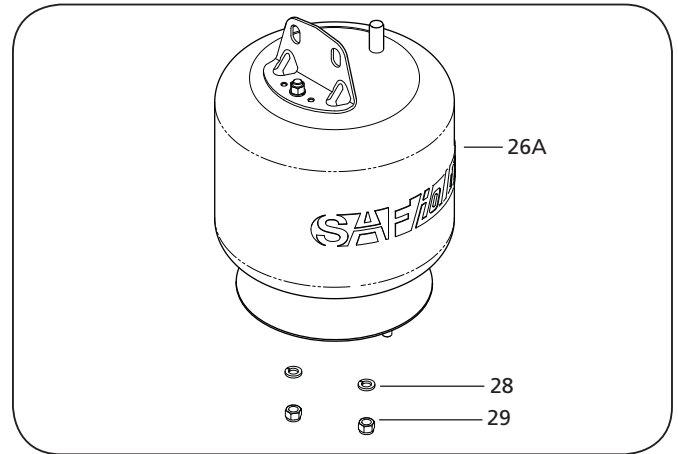
NOTE: SAF-Holland offers a standard pinion plate system for retrofit/aftermarket replacement.

Air Spring Kit ADZ-123-10

Part Number: 481 00 512

SRK-646

ITEM	DESCRIPTION	PART NUMBER	QTY.
26A	Air Spring	905 57 368	2
28	Lock Nut - .50"-13 GRC	934 00 482	4

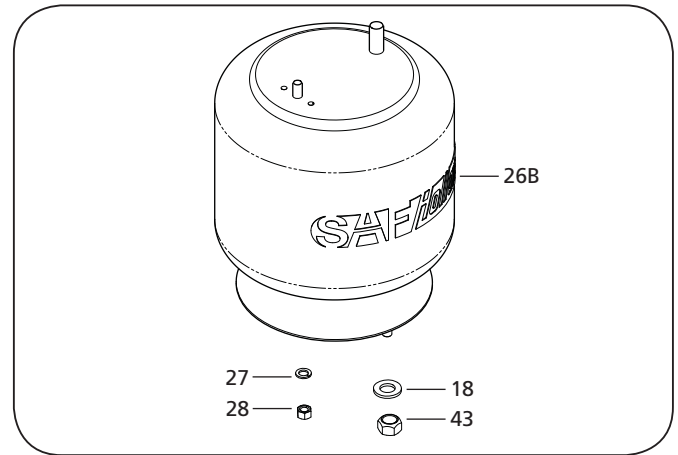


Air Spring Kit ADZ-123-12

Part Number: 481 00 530

SRK-664

ITEM	DESCRIPTION	PART NUMBER	QTY.
26B	Air Spring	905 57 395	2
27	Lock Washer - .53" ID	936 00 072	6
43	Lock Nut - .75"-16 GRC	934 00 495	2

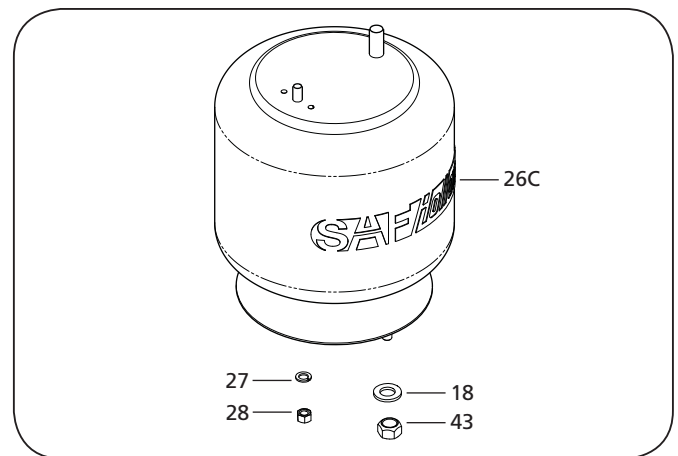


Air Spring Kit ADZ-126-10 and ADZ-126-12

Part Number: 481 00 531

SRK-665

ITEM	DESCRIPTION	PART NUMBER	QTY.
26C	Air Spring	905 57 392	2
27	Lock Washer - .53" ID	936 00 072	6
43	Lock Nut - .75"-16 GRC	934 00 495	2

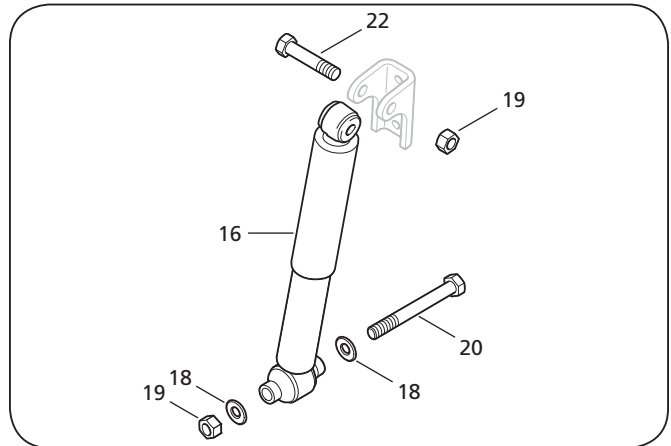


Shock Absorber Kit For 12" Ride Height

Part Number: 481 00 513

SRK-647

ITEM	DESCRIPTION	PART NUMBER	QTY.
16	Shock Absorber	900 45 605	2
19	Lock Nut - .75"-10 GRC	934 00 494	4
22	Hex Bolt - .75"-10 x 3.5" GRC	930 03 597	2

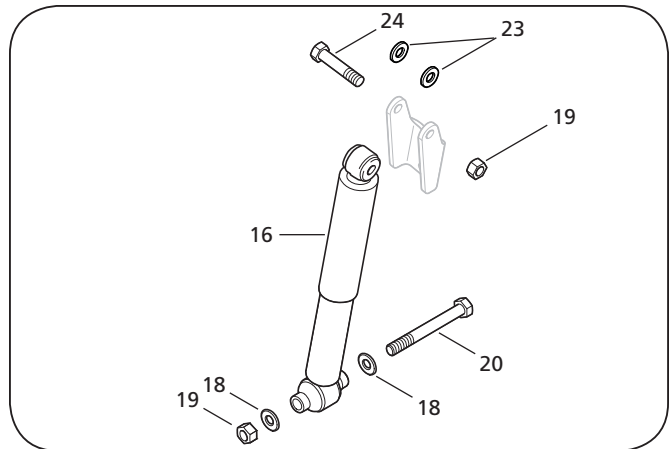


Shock Absorber Kit For 10" Ride Height

Part Number: 481 00 518

SRK-652

ITEM	DESCRIPTION	PART NUMBER	QTY.
16	Shock Absorber	900 45 605	2
19	Lock Nut - .75"-10 GR C	934 00 494	4
23	Spacer Washer	900 36 278	4





SAF-HOLLAND Group

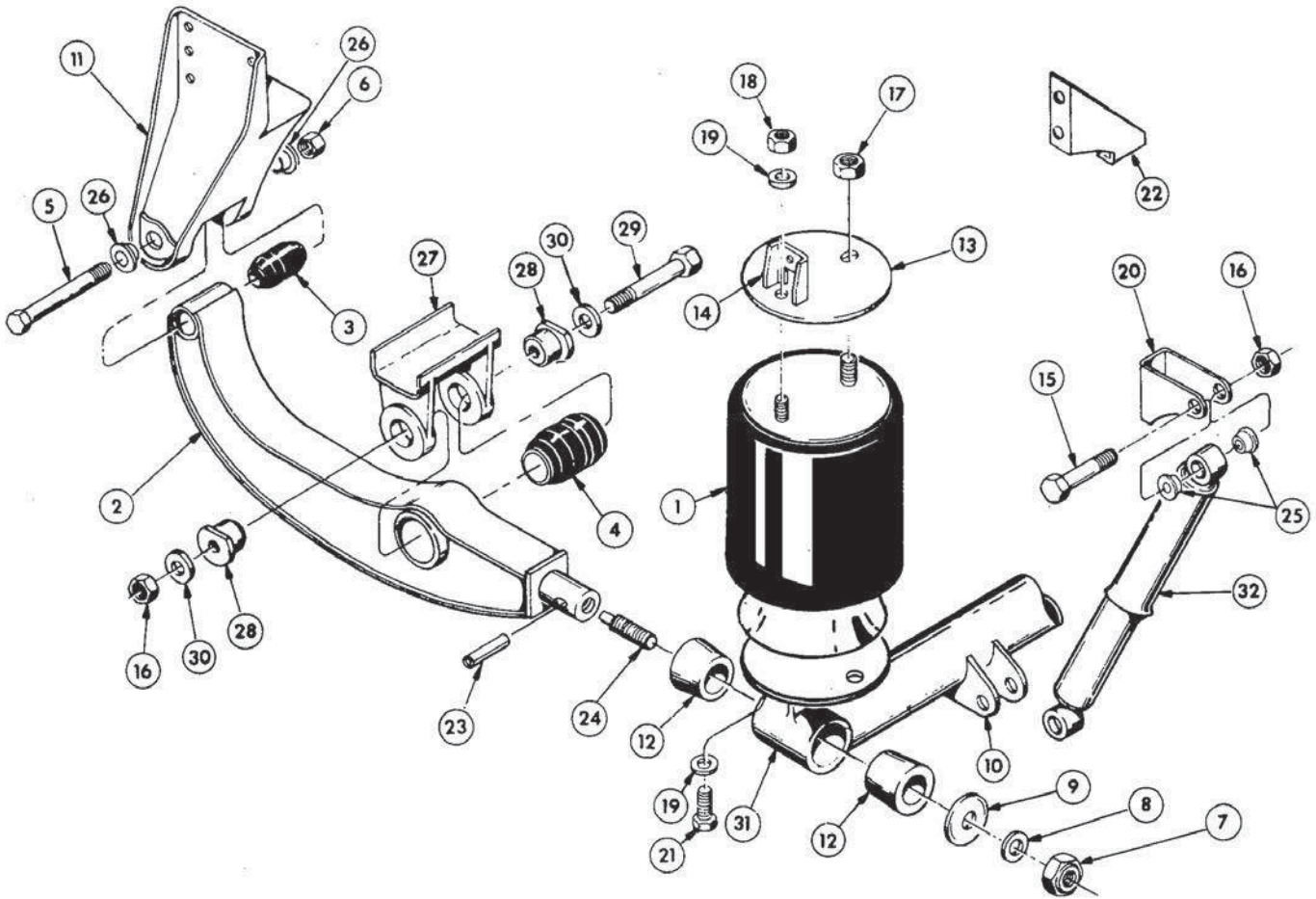
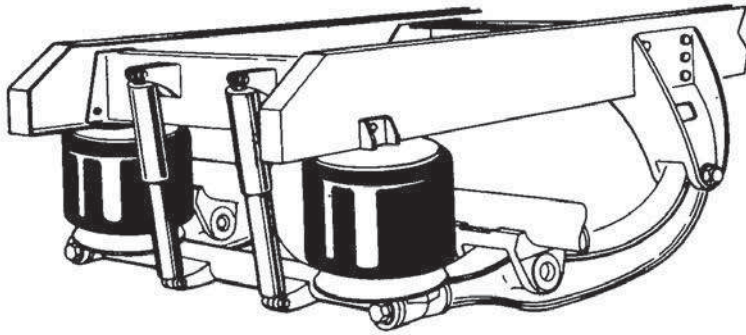
Truck, Bus & Motorhome Suspension Parts Reference Guide

THIS PAGE INTENTIONALLY LEFT BLANK

ARD-120-6, -238-6 Exploded View



SAF-HOLLAND Group



DISCONTINUED MODEL SERVICE PARTS ONLY

Please contact Customer Service for part availability
888.396.6501



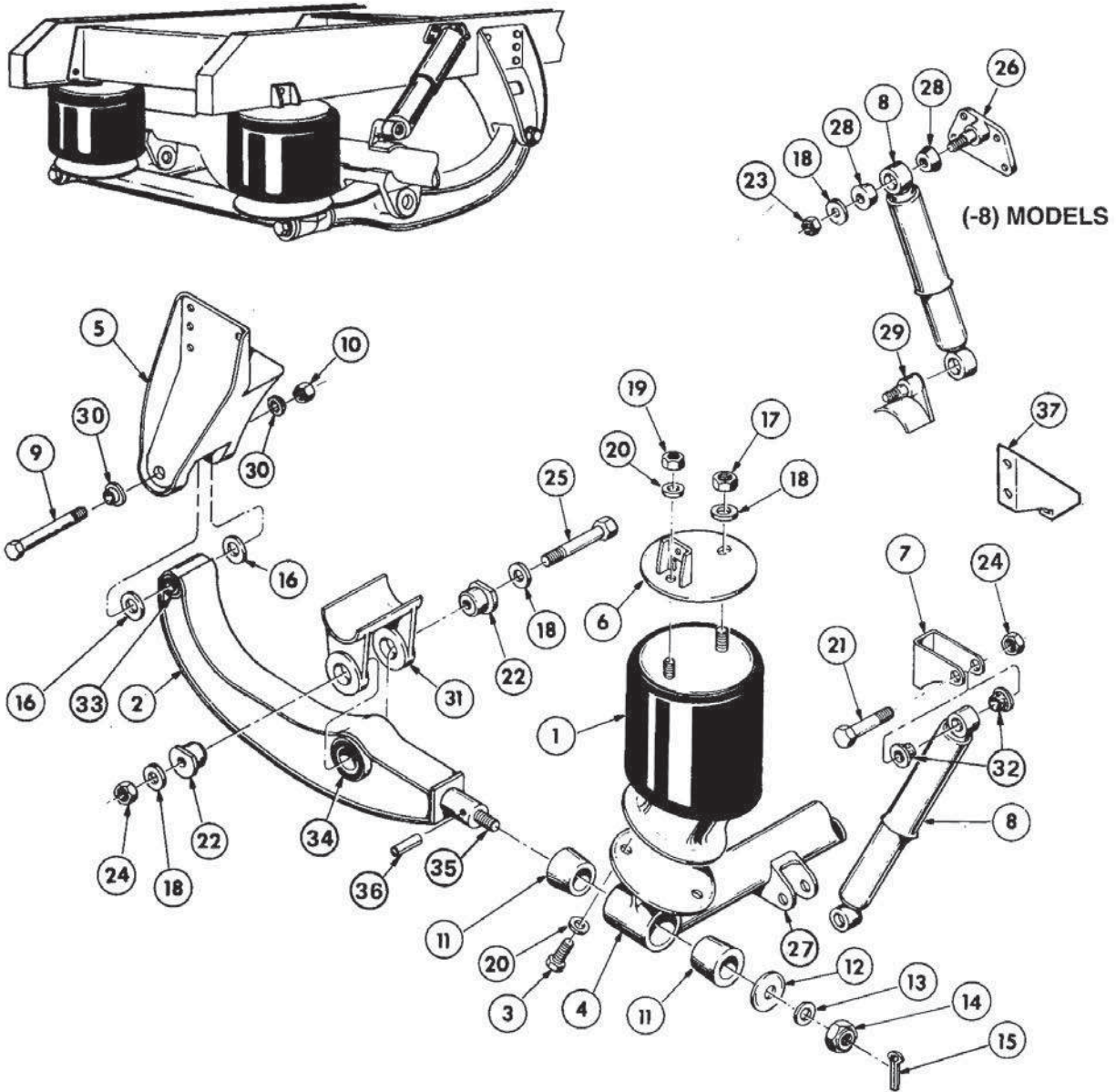
ITEM	PART NO.	DESCRIPTION	ARD-120-6 QTY REQD	ARD-238-6 QTY REQD
1	905 57 031	Air Spring	2	4
2	905 16 151	Equalizing Beam Assembly (Includes Item #3, 4, 23, 24)	2	4
3	900 08 145	Rubber Bushing (Front Pivot)	2	4
4	900 08 008	Rubber Bushing (Axle Connection)	2	4
5	932 01 055	Cap Screw 1-1/8 - 7 x 9-1/4" Gr8	2	4
6	934 00 506	Lock Nut 1 1/8 - 7 GrC	2	4
7	934 00 511	Lock Nut 1 1/4 - 12 GrC	2	4
8	936 00 180	Washer 1 1/4	2	4
9	900 36 007	Spacer Washer	2	4
10	900 18 482	Lower Shock Bracket	2	4
11	905 19 733	Frame Bracket Fixed (Includes Item #26)	1	2
	900 18 431	Frame Bracket Adjustable	1	2
12	900 08 113	Rubber Bushing (Transverse Beam)	4	8
13	900 31 027	Air Spring Mounting Plate	2	4
14	900 18 036	Bracket	2	4
15	930 03 597	Cap Screw 3/4 - 10 x 3 1/2" Gr5	4	8
16	934 00 492	Lock Nut 3/4 - 10 GrB	6	12
17	934 00 417	Lock Nut 3/4 - 16 GrA	2	4
18	934 00 136	Nut 1/2 - 13 GrB	2	4
19	936 00 072	Lock Washer 1/2	6	12
20	900 18 367	Upper Shock Bracket	2	4
21	930 02 893	Cap Screw 1/2 - 13 x 1" Gr2	4	8
22	900 23 131	Brace	2	4
23	900 44 174	Roll Pin	2	4
24	900 06 380	Stud 1 1/4 - 12 x 4 1/4" Gr5	2	4
25	905 08 004	Replacement Shock Bushing	8	16
26	900 08 150	Alignment Bushing	4	8
27	N/A	Beam Hanger Brackets	Contact Axle Manufacturer	
28	900 01 002	Adapter Bushing	4	8
29	930 03 681	Cap Screw 3/4 - 10 x 7" Gr5	2	4
30	936 00 156	Washer 3/4	4	8
31	905 44 755	Transverse Beam Assembly (Includes Item #3a)	1	2
32	900 44 025	Shock Absorber	2	4
SERVICE REPAIR KITS				
	481 00 161	SRK-77-1 - Transverse Connection	1	2
	481 00 124	SRK-80 - Axle Connection	1	2
	481 00 204	SRK-147 - Pivot Connection (With Alignment Bushings)	1	2
	481 00 205	SRK-148 - Pivot Connection (Without Alignment Bushings)	1	2

Note: Refer to Parts Identification section for Track Bar/ Torque Bar (CAK) Information.

ARD-125-6, -8, ARD-244-6, -8 Exploded View



SAF-HOLLAND Group



**DISCONTINUED MODEL
SERVICE PARTS ONLY**
Please contact Customer Service for part availability
888.396.6501



ITEM	PART NO.	DESCRIPTION	ARD -125-6 QTY REQD	ARD -125-8 QTY REQD	ARD -244-6 QTY REQD	ARD -244-8 QTY REQD
1	905 57 027	Air Spring	2	2	4	4
2	*	Equalizing Beam Assembly (Includes Item #33, 34, 35, 36)	2	2	4	4
3	930 02 893	Cap Screw 1/2 - 13 x 1" Gr2	4	4	8	8
4	905 44 079	Transverse Beam Assembly (Includes Item #27)	1		2	
	905 44 112	Transverse Beam Assembly		1		2
5**	900 18 578	Frame Bracket LH - Undrilled (8 3/4" & 10" Ride Height Only)	1	1	2	2
	900 18 579	Frame Bracket RH - Undrilled (8 3/4" & 10" Ride Height Only)	1	1	2	2
6	905 31 001	Air Spring Mounting Plate	2	2	4	4
7	900 18 116	Upper Shock Mounting Bracket	2		4	
8	900 44 025	Shock Absorber	2		4	
	900 44 011	Shock Absorber		2		4
9	932 00 132	Cap Screw 1 1/4 - 12 x 9 11/16" (pre 1981 w/o alignment bushings)	2	2	4	4
	932 01 030	Cap Screw 1 1/4 - 12 x 10 9/16" (pre 1981 w/ alignment bushings)	2	2	4	4
	932 01 055	Cap Screw 1 1/8 - 7 x 9 1/4" Gr8 (1981 & later)	2	2	4	4
10	934 00 511	Lock Nut 1 1/4 - 12 GrC	2	2	4	4
	934 00 506	Lock Nut 1 1/8 - 7 GrC	2	2	4	4
11	900 08 113	Rubber Bushing (Transverse Beam)	4	4	8	8
12	900 36 007	Spacer Washer	2	2	4	4
13	936 00 180	Washer 1 1/4	2	2	4	4
14	934 00 511	Lock Nut 1 1/4 - 12 GrC	2	2	4	4
15	938 00 065	Cotter Pin (pre 1981)	2	2	4	4
16	900 36 001	Spacer Washer 1 1/4 (pre 1981)	4	4	8	8
	936 00 495	Spacer Washer 1 1/8 (1981 & later)	4	4	8	8
17	934 00 417	Lock Nut 3/4 - 16 GrA	2	2	4	4
18	936 00 156	Washer 3/4	4	4	8	8
19	934 00 136	Nut 1/2 - 13 GrB	2	2	4	4
20	936 00 072	Lock Washer 1/2	6	6	12	12
21	930 03 597	Cap Screw 3/4 - 10 x 3 1/2" Gr5	4		8	
22	900 01 002	Adapter Bushing	4	4	8	8
23	934 00 553	Lock Nut 3/4 - 10 GrA		4		8
24	934 00 492	Lock Nut 3/4 - 10 GrB	6	2	12	4
25	930 03 681	Cap Screw 3/4 - 10 x 7" Gr5 (5 1/4" long bushing)	2	2	4	4
	930 03 693	Cap Screw 3/4 - 10 x 7 1/2" Gr5 (5 3/4" long bushing)	2	2	4	4
26	905 18 335	Upper Shock Bracket LH		1		2
	905 18 336	Upper Shock Bracket RH		1		2
27	900 18 482	Lower Shock Bracket	2		4	
28	900 08 003	Replacement Shock Bushing		8		16
29	905 19 240	Lower Shock Bracket		2		4
30	900 08 110	Alignment Bushing (pre 1981)	4	4	8	8
	900 08 120	Alignment Bushing (1981 & later)	4	4	8	8
31	n/a	Beam Hanger Brackets	Contact Axle Manufacturer			
32	905 08 004	Replacement Shock Bushing	8		16	
33	900 08 002	Rubber Bushing (Front Pivot - pre 1981)	2	2	4	4
	900 08 131	Rubber Bushing (Front Pivot - 1981 & later)	2	2	4	4
34	900 08 006	Rubber Bushing (Axle Connection) 5 1/4" long	2	2	4	4
	900 08 008	Rubber Bushing (Axle Connection) 5 3/4" long	2	2	4	4
35	900 06 380	Stud 1 1/4 - 12 x 4 1/4" Gr5	2	2	4	4
36	900 44 174	Roll Pin	2	2	4	4
37	900 23 131	Brace	1	1	2	2

SERVICE REPAIR KITS

481 00 120	SRK-76 - Pivot Connection w/o Alignment Bushings (pre 1981)	1	1	2	2
481 00 161	SRK-77-1 - Transverse Connection	1	1	2	2
481 00 123	SRK-79 - Axle Connection (5 1/4" long bushing)	1	1	2	2
481 00 124	SRK-80 - Axle Connection	1	1	2	2
481 00 154	SRK-105 - Pivot Connection w/ Alignment Bushings (pre 1981)	1	1	2	2
481 00 170	SRK-120 - Pivot Connection w/ Alignment Bushings (1981 & later)	2	2	4	4
481 00 194	SRK-139A - Pivot Connection w/o Alignment Bushings (1981 & later)	1	1	2	2

Note: Refer to Parts Identification section for Track Bar/ Torque Bar (CAK) Information.

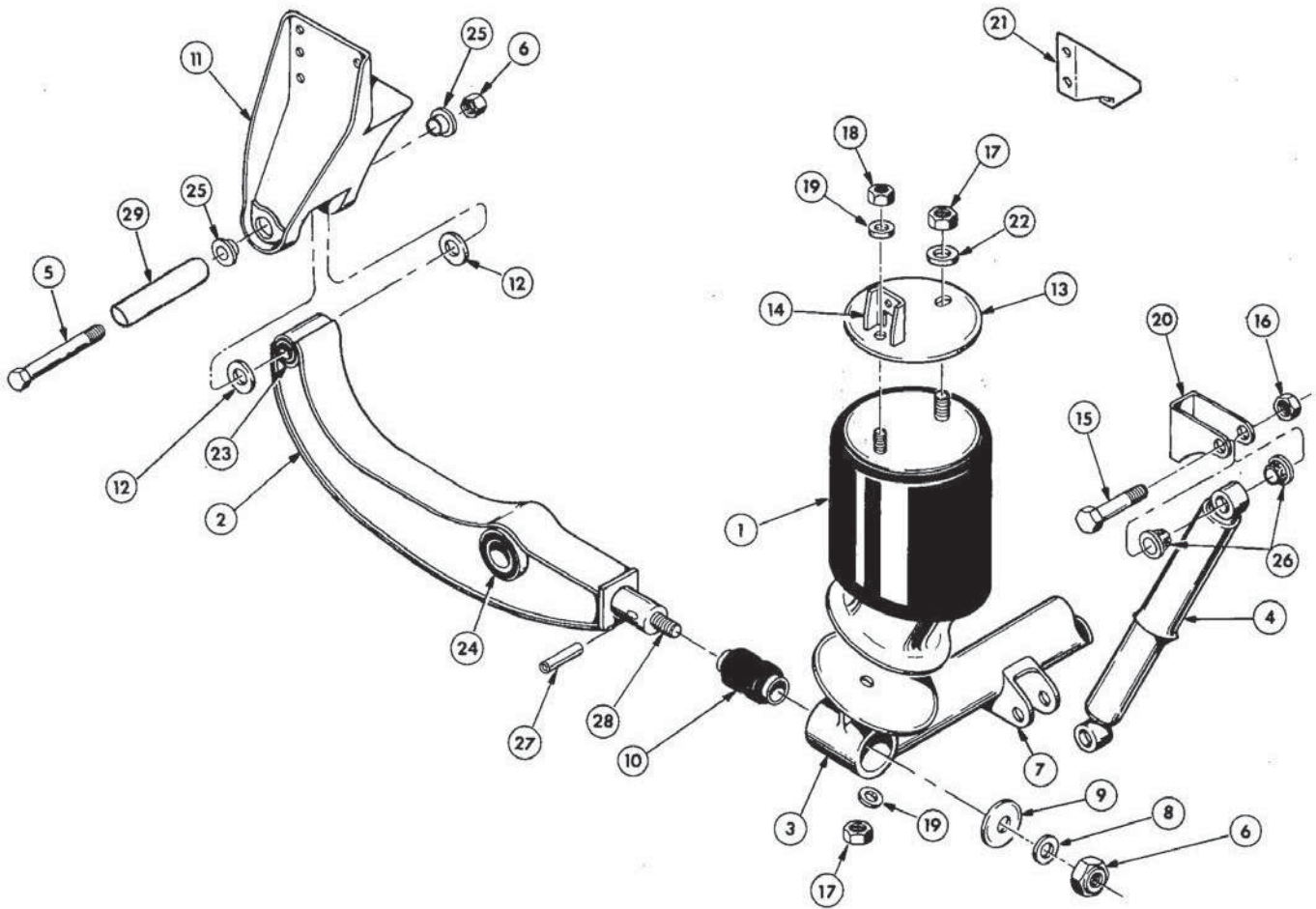
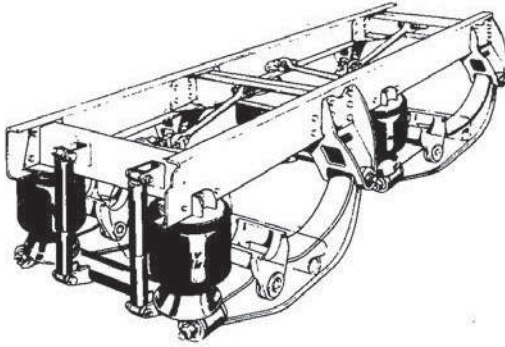
*Refer to page 5-43 for Equalizing Beam part numbers

**Replacement Frame Brackets can be ordered either "Drilled" or "Undrilled". The undrilled frame brackets listed are for 8 3/4" and 10" ride height applications only. Contact Customer Service for the Drilled Frame Bracket part numbers.

ARD-234-6 Exploded View



SAF-HOLLAND Group



**DISCONTINUED MODEL
SERVICE PARTS ONLY**
Please contact Customer Service for part availability
888.396.6501



ITEM	PART NO.	DESCRIPTION	QTY REQD
1	905 57 070	Air Spring	4
2	905 15 773	Equalizing Beam Assembly (Includes Item #23, 24, 28)	4
3	905 44 491	Transverse Beam Assembly (Includes Item #7, 10)	2
4	900 44 046	Shock Absorber	4
5	932 01 049	Cap Screw 1 1/8 - 7 x 9 1/4" Gr5	4
6	934 00 506	Lock Nut 1 1/8 - 7 GrC	8
7	900 32 386	Lower Shock Bracket Plate	8
8	936 00 493	Washer	4
9	936 00 174	Washer 1 1/4	4
10	900 08 104	Rubber Bushing (Transverse Beam)	4
11**	905 19 311	Frame Bracket - Undrilled	4
12	936 00 495	Spacer Washer	8
13	900 32 382	Air Spring Mounting Plate	4
14	900 18 036	Bracket	4
15	930 03 597	Cap Screw 3/4 - 10 x 3 1/2" Gr5	8
16	934 00 492	Lock Nut 3/4 - 10 GrB	12
17	934 00 149	Lock Nut 3/4 - 16 GrB	4
18	934 00 136	Nut 1/2 - 13 GrB	4
19	936 00 072	Lock Washer 1/2	4
20	900 18 367	Upper Shock Bracket	4
21	900 23 131	Brace	4
22	936 00 156	Washer 3/4	4
23	900 08 145	Rubber Bushing (Front Pivot)	4
24	900 08 008	Rubber Bushing (Axle Connection)	4
25	900 08 120	Alignment Bushing	8
26	905 08 004	Replacement Shock Bushing	16
27	n/a	Roll Pin	4
28	900 06 338	Stud 1 1/8 - 7 x 3 5/8 Gr5	4
29	900 38 083	Delrin Sleeve	4

SERVICE REPAIR KITS

481 00 124	SRK-80 - Axle Connection	2
481 00 143	SRK-95 - Transverse Connection	2
481 00 204	SRK-147 - Pivot Connection (with Alignment Bushings)	2
481 00 205	SRK-148 - Pivot Connection (without Alignment Bushings)	2

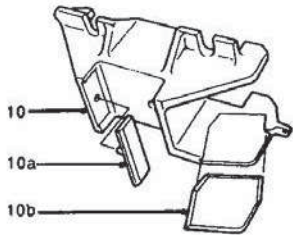
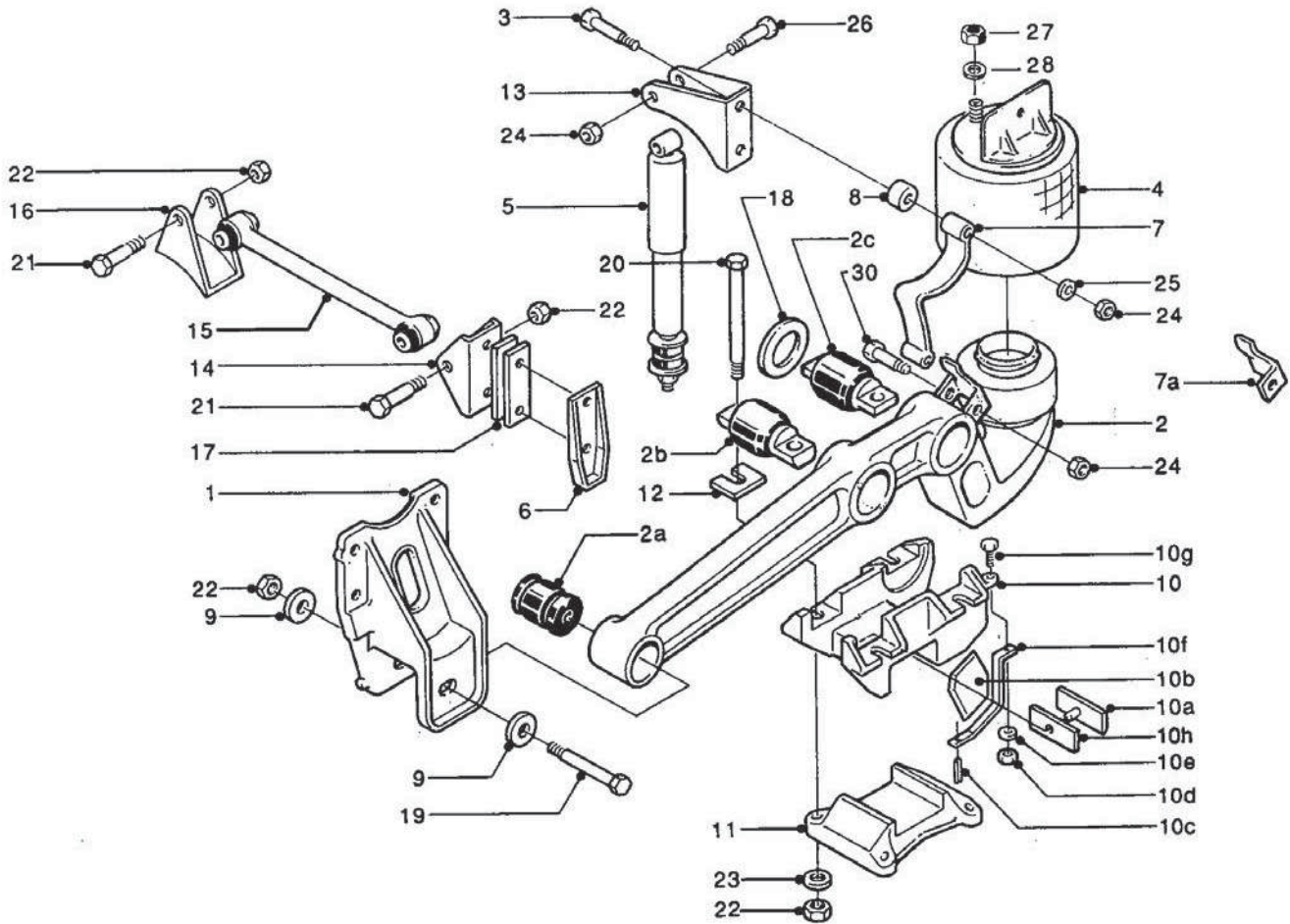
Note: Refer to Parts Identification section for Track Bar/ Torque Bar (CAK) Information.

**Replacement Frame Brackets can be ordered either "Drilled" or "Undrilled". The undrilled frame brackets listed are for 8-3/4" and 10" ride height applications only. Contact Customer Service for the Drilled Frame Bracket part numbers.

ARDAB-120-5, -240-5 (Same as ARDAB-238-5) Exploded View



SAF-HOLLAND Group



(right hand shown)

**DISCONTINUED MODEL
SERVICE PARTS ONLY**
Please contact Customer Service for part availability
888.396.6501



SAF-HOLLAND Group

ARDAB-120-5, -240-5 (Same as ARDAB-238-5) Parts List

ITEM	PART NO.	DESCRIPTION	ARDAB-120-5 QTY REQD	ARDAB-240-5 QTY REQD
1	900 18 475	Frame Bracket Adjustable	2	4
2	*	Equalizing Beam Assembly (Includes Item #2a, 2b, 2c)	2	4
2a	900 08 165	Rubber Bushing (Front Pivot)	2	4
2b	*	Rubber Bushing (Front Axle Connection)	2	4
2c	*	Rubber Bushing (Rear Axle Connection)	2	4
3	930 03 633	Cap Screw 3/4 - 10 x 5" Gr5	2	4
4	905 57 123	Air Spring	2	4
5	900 44 907	Shock Absorber	2	4
6	900 44 871	Axle Stop	2	4
7	900 44 882	Down Strap	2	4
7a	905 20 245	Down Strap Guide LH	1	2
	905 20 246	Down Strap Guide RH	1	2
8	900 36 159	Spacer	2	4
9	900 08 166	Alignment Blocks	4	8
10	**	Upper Axle Clamp Casting (Includes Item # 10a-10h)	2	4
10a	900 44 887	Plastic Shim	2	4
10b	900 44 883	Wear Pad LH	1	2
	900 44 884	Wear Pad RH	1	2
10c	939 00 214	Spring Pin	2	4
10d	934 00 060	Lock Nut 1/4 - 20	2	4
10e	936 00 112	Washer 1/4	2	4
10f	900 24 932	Retainer	2	4
10g	930 02 353	Cap Screw 1/4 - 20 x 1" Gr2	2	4
10h	900 33 376	Steel Shim (Use with 905 01 184 & 905 01 185)	2	4
11	**	Lower Axle Clamp Casting	2	4
12*	900 33 327	Shim - Axle Connection	varies	varies
	900 33 361	Shim - Axle Connection (Use with 2° Pinion Angle)	varies	varies
13	900 24 926	Upper Shock Bracket	2	4
14	900 18 472	Track Bar Frame Bracket	1	2
15	900 44 877	Torque Rod Fixed - Bearing Style	1	2
	900 44 972	Torque Rod Fixed - Rubber Bushed	1	2
	900 45 017	Torque Rod Fixed (Ford Application Only)	1	2
16	900 44 874	Track Bar Axle Bracket	1	2
17	900 36 160	Shim	2	4
18	939 00 212	Washer	2	4
19	930 03 905	Cap Screw 7/8 - 9 x 7 1/2" Gr8	2	4
20	939 00 213	Cap Screw 7/8 - 9 x 12 1/2" Gr8	8	16
21	930 03 831	Cap Screw 7/8 - 9 x 4 1/2" Gr5	2	4
22	934 00 498	Lock Nut 7/8 - 9 GrC	12	24
23	936 00 162	Washer 7/8	8	16
24	934 00 492	Lock Nut 3/4 - 10 GrB	6	12
25	936 00 157	Washer 3/4	2	4
26	930 03 603	Cap Screw 3/4 - 10 x 3 3/4" Gr5	4	8
27	934 00 149	Hex Nut 3/4 - 16 GrB	2	4
28	936 00 077	Lock Washer 3/4	2	4

SERVICE REPAIR KITS

481 00 245	SRK-188 - Pivot Connection (without Alignment Blocks)	1	2
481 00 253	SRK-188-1 - Pivot Connection (with Alignment Blocks)	1	2
481 00 246	SRK-189 - Axle Connection - 2° - 8° Pinion Angle	1	2
481 00 247	SRK-190 - Axle Connection - 0° & 8.1° - 13° Pinion Angle	1	2
481 00 249	SRK-192 - Axle Clamp Casting Wear Pads	1	2

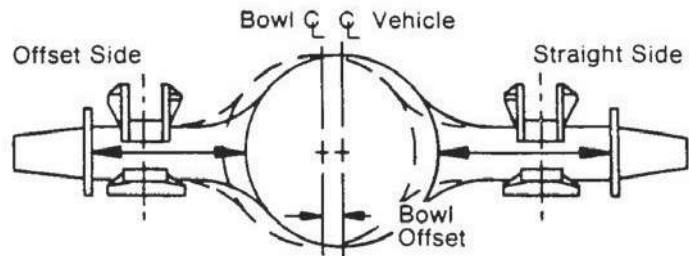
*Refer following pages for part numbers and/or shim quantities

**Refer to following pages for part numbers

ARDAB-120-5, -240-5 Axle Clamp Selection Guide

To select correct axle clamp castings, locate your make and style of axle on chart below. To confirm bowl offset, measure from brake flange to reference line shown on drawing. Then subtract the smaller dimension and divide by 2. **NOTICE:** The upper adapter clamp includes all sub-assembly parts: shims, wear pads, etc.

The example shown is for reference only; your axle may differ.



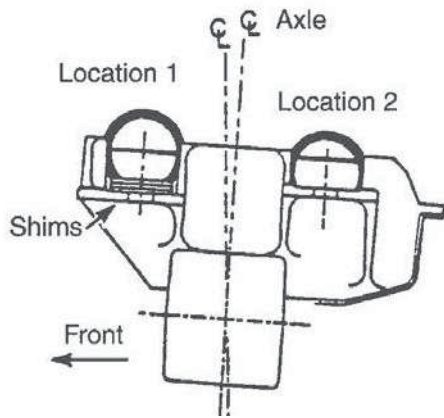
AXLE	APPLICATION	LEFT OR RIGHT HAND	FORWARD AXLE		REAR AXLE	
			UPPER CLAMP	LOWER CLAMP	UPPER CLAMP	LOWER CLAMP
EATON AXLES						
D-401, D-402, R-401, R-402 4.61 x 5.24 with 2.992 offset	Tandem Axle	L	905 01 198	900 01 136	905 01 186	900 01 137
		R	905 01 187	900 01 137	905 01 199	900 01 136
21065-T 4.61 x 5.24 with 1.890 offset	Single Axle	L	905 01 191	900 01 151		
		R	905 01 199	900 01 136		
21065-S 4.61 x 5.24 with 0.945 offset	Single Axle	L	905 01 198	900 01 136		
		R	905 01 199	900 01 136		
19050-T 4.61 x 5.24 with 1.969 offset	Single Axle	L	905 01 191	900 01 151		
		R	905 01 199	900 01 136		
19050-S 4.61 x 5.24 with 0.472 offset	Single Axle	L	905 01 198	900 01 136		
		R	905 01 199	900 01 136		
ROCKWELL AXLES						
SQ-100 4.62 x 5.25 with 2.06 offset	Tandem Axle	L	905 01 194	900 01 136	905 01 186	900 01 137
		R	905 01 187	900 01 137	905 01 185	900 01 136
RT-34-145, RT-40-140, RT-40-145 RT-44-145, RT-46-160 4.61 x 5.25 with 2.56 offset	Tandem Axle	L	905 01 198	900 01 136	905 01 198	900 01 136
		R	905 01 199	900 01 136	905 01 199	900 01 136
R-170, RS-23-180 4.61 x 5.28 with 1.00 offset	Single Axle	L	905 01 186	900 01 137		
		R	905 01 185	900 01 136		
RS-23-160 4.61 x 5.28 with 2.20 offset	Single Axle	L	905 01 198	900 01 136		
		R	905 01 199	900 01 136		
RS-17-140, RS-21-145 4.61 x 5.28 with 2.56 offset	Single Axle	L	905 01 198	900 01 136		
		R	905 01 199	900 01 136		

ARDAB-120-5 & ARDAB-240-5 Shims/Pinion Angle

By using combinations of 1/8" shims, the Air-beam can accommodate axle pinion angles from 2° through 13°. For specific shim placement, refer to the charts below.

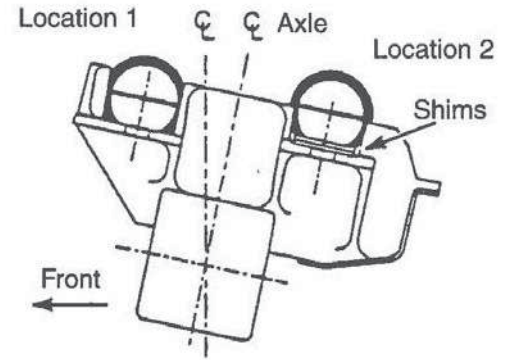
Beam Type 1

Pinion Angle 3° Shown



Beam Type 2

Pinion Angle 13° Shown



Pinion Angle	Number of Shims	
	Location 1	Location 2√
2°	4*	0
3°	3	0
4°	2	0
5°30"	1	0
6°	n/a	n/a
7°	0	0
8°	0	1
9°	1	0
10°	n/a	n/a
11°	0	0
12°	0	1
13°	0	2

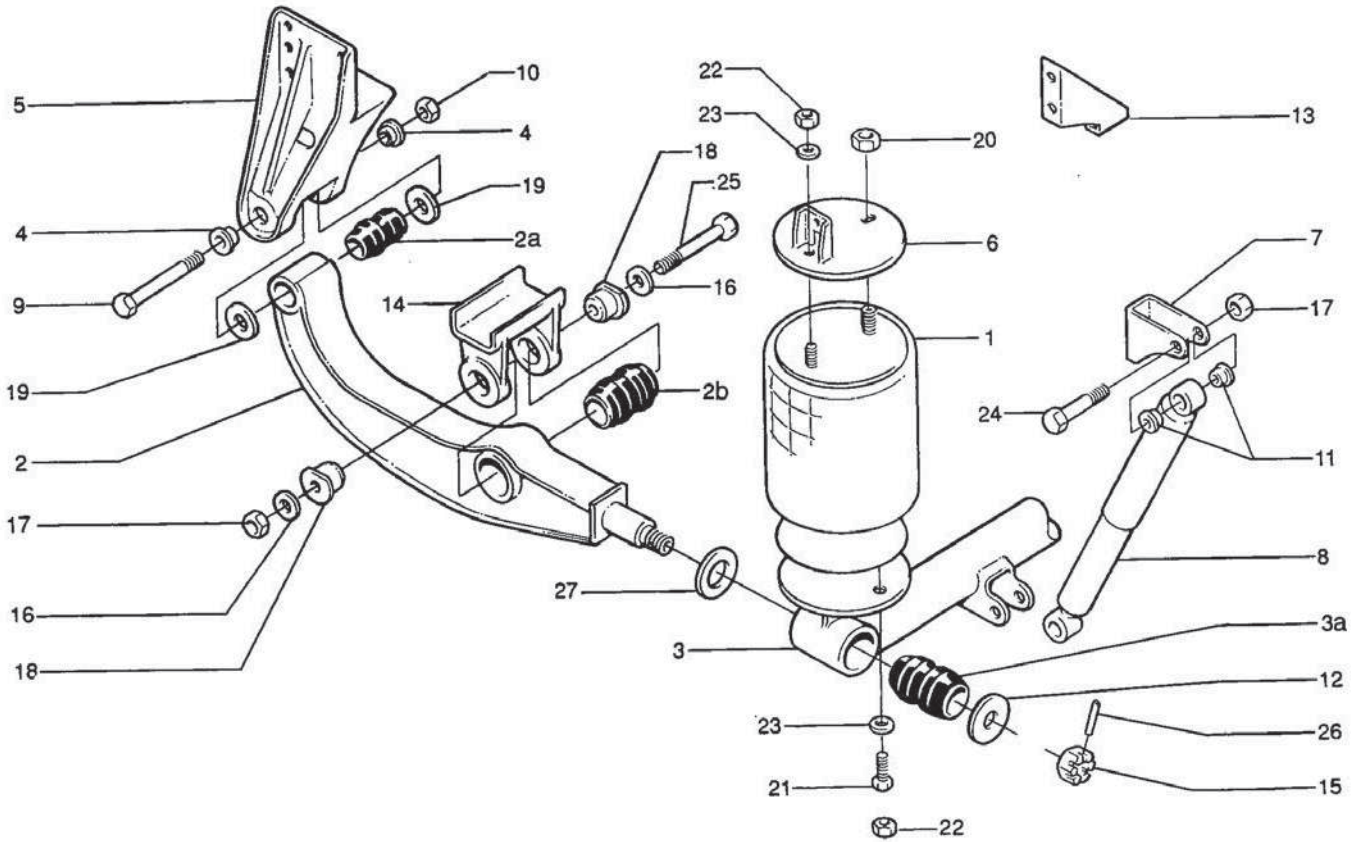
*Use (3) of 900 33 327 and (1) 900 33 361 shims.

ARDST-123-6, -244-6, -246-6, -250-6 Exploded View



SAF-HOLLAND Group

NOTE: For units with frame mounted shocks, contact Customer Service.



DISCONTINUED MODEL SERVICE PARTS ONLY

Please contact Customer Service for part availability
888.396.6501



SAF-HOLLAND Group

ARDST-123-6, -244-6, -246-6, -250-6 Parts List

ITEM	PART NO.	DESCRIPTION	ARDST -123-6 QTY REQD	ARDST -244-6 QTY REQD	ARDST -246-6 QTY REQD	ARDST -250-6 QTY REQD	RIDE HEIGHT/ Application	
1	905 57 027	Air Spring	2	4			All	
	905 57 031	Air Spring			4		8 3/4"	
	905 57 101	Air Spring		4			Western Star	
	905 57 110	Air Spring			4	4	All	
2	905 16 286	Equalizing Beam Assembly (Includes Item #2a, 2b)	2	4	4		All	
	905 16 352	Equalizing Beam Assembly (Includes Item #2a, 2b)			4		8 3/4"	
	905 16 468	Equalizing Beam Assembly (Includes Item #2a, 2b)				4	All	
2a	900 08 151	Rubber Bushing (Front Pivot)	2	4	4	4	All	
2b	900 08 008	Rubber Bushing (Axle Connection)	2	4	4	4	All	
3	905 44 617	Transverse Beam Assembly (Includes Item #3a)	1	2	2	2	All	
3a	900 08 135	Rubber Bushing (Transverse Beam)	2	4	4	4	All	
4*	900 08 120	Alignment Bushing	4	8	8	8	All	
5**	900 18 578	Frame Bracket LH - Undrilled (8 3/4" & 10" Ride Height Only)	1	2	2	2	All	
	900 18 579	Frame Bracket RH - Undrilled (8 3/4" & 10" Ride Height Only)	1	2	2	2	All	
6	905 31 001	Air Spring Mounting Plate	2	4	4	4	All	
7	900 18 116	Shock Mounting Bracket	2	4	4	4	All	
8	900 44 025	Shock Absorber	2	4	4	4	All	
9	932 01 055	Cap Screw 1 1/8 - 7 x 9 1/4" Gr8	2	4	4	4	All	
10	934 00 506	Lock Nut 1 1/8 - 7	2	4	4	4	All	
11	905 08 004	Replacement Shock Bushing	8	16	16	16	All	
12	900 36 118	Spacer Washer	2	4	4	4	All	
13	900 23 131	Brace	2	4	4	4	All	
14	n/a	Beam Hanger Brackets	Contact Axle Manufacturer					
15	934 00 603	Nut 2 1/4 - 12	2	4	4	4	All	
16	936 00 156	Washer 3/4	4	8	8	8	All	
17	934 00 492	Lock Nut 3/4 - 10	4	8	8	8	All	
18	900 01 002	Adapter Bushing	4	8	8	8	All	
19***	936 00 502	Spacer Washer	4	8	8	8	All	
20	934 00 417	Lock Nut 3/4 - 16	2	4	4	4	All	
21	930 02 893	Cap Screw 1/2 - 13 x 1" Gr2	4	8	8	8	All	
22	934 00 136	Nut 1/2 - 13	2	4	4	4	All	
	934 00 136	Nut 1/2 - 13		8			Western Star	
23	936 00 072	Lock Washer 1/2	6	12	12	12	All	
	936 00 072	Lock Washer 1/2		8			Western Star	
24	930 03 597	Cap Screw 3/4 - 10 x 3 1/2" Gr5	4	8	8	8	All	
25	930 03 693	Cap Screw 3/4 - 10 x 7 1/2" Gr5	2	4	4	4	All	
26	938 00 235	Roll Pin	2	4	4	4	All	
27	936 00 498	Washer	2	4	4	4	All	

SERVICE REPAIR KITS

481 00 124	SRK-80 - Axle Connection	1	2	2	2	All
481 00 260	SRK-200 - Pivot Connection	1	2	2	2	All
481 00 261	SRK-201 - Transverse Connection	1	2	2	2	All

* For Ford Applications, use the following Alignment Bushing combinations:

-quantity 4 per axle of 900 08 150

OR

-quantity 2 per axle/1 per frame bracket each of

900 08 156 - outer side of bracket (1 7/16" overall length)

900 08 120 - inward side of bracket (1" overall length)

** Replacement Frame Brackets can be ordered either "Drilled" or "Undrilled". The undrilled frame brackets listed are for 8 3/4" and 10" ride height applications only. Contact Customer Service for the drilled frame bracket part numbers.

*** Not Required on Ford Applications, Spacer Washers are welded to the Frame Bracket.

Note: Refer to Parts Identification section for Track Bar/Torque Rod (CAK) Information.



ITEM	PART NO.	DESCRIPTION	ARDSTM-123-6 QTY REQD	ARDSTM-246-6 QTY REQD
1	905 57 110	Air Spring	2	4
2	905 16 286	Equalizing Beam Assembly (Includes Item #2a, 2b)	2	4
2a	900 08 151	Rubber Bushing (Front Pivot)	2	4
2b	900 08 008	Rubber Bushing (Axle Connection)	2	4
3	905 44 617	Transverse Beam Assembly (Includes Item #3a)	1	2
3a	900 08 135	Rubber Bushing (Transverse Beam)	2	4
4*	900 08 120	Alignment Bushing	4	8
5**	900 18 578	Frame Bracket LH - Undrilled (8 3/4" & 10" Ride Height Only)	1	2
	900 18 579	Frame Bracket RH - Undrilled (8 3/4" & 10" Ride Height Only)	1	2
6	905 31 001	Air Spring Mounting Plate	2	4
7	900 18 116	Shock Mounting Bracket	2	4
8	900 44 025	Shock Absorber	2	4
9	932 01 055	Cap Screw 1 1/8 - 7 x 9 1/4" Gr8	2	4
10	934 00 506	Lock Nut 1 1/8 - 7	2	4
11	905 08 004	Replacement Shock Bushing	8	16
12	900 36 118	Spacer Washer	2	4
13	900 23 131	Brace	2	4
14	n/a	Beam Hanger Brackets	Contact Axle Manufacturer	
15	934 00 603	Nut 2 1/4 - 12	2	4
16	936 00 156	Washer 3/4	4	8
17	934 00 492	Lock Nut 3/4 - 10	4	8
18	900 01 002	Adapter Bushing	4	8
19***	936 00 502	Spacer Washer	4	8
20	934 00 417	Lock Nut 3/4 - 16	2	4
21	930 02 893	Cap Screw 1/2 - 13 x 1" Gr2	4	8
22	934 00 136	Nut 1/2 - 13	2	4
23	936 00 072	Lock Washer 1/2	6	12
24	930 03 597	Cap Screw 3/4 - 10 x 3 1/2" Gr5	4	8
25	930 03 693	Cap Screw 3/4 - 10 x 7 1/2" Gr5	2	4
26	938 00 235	Roll Pin	2	4
27	936 00 498	Washer	2	4
SERVICE REPAIR KITS				
	481 00 124	SRK-80 - Axle Connection	1	2
	481 00 260	SRK-200 - Pivot Connection	1	2
	481 00 261	SRK-201 - Transverse Connection	1	2

* For Ford Applications, use the following Alignment Bushing combinations:

-quantity 4 per axle of 900 08 150

OR

-quantity 2 per axle/1 per frame bracket each of

900 08 156 - outer side of bracket (1 7/16" overall length)

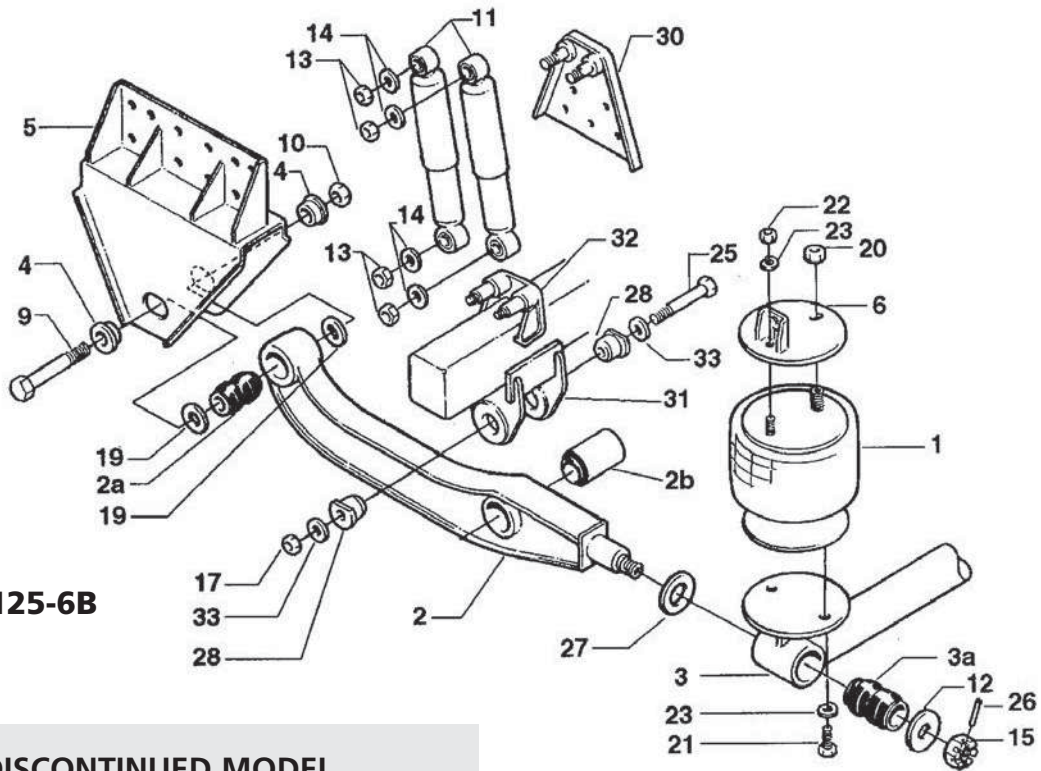
900 08 120 - inward side of bracket (1" overall length)

** Replacement Frame Brackets can be ordered either "Drilled" or "Undrilled". The undrilled frame brackets listed are for 8 3/4" and 10" ride height applications only. Contact Customer Service for the drilled frame bracket part numbers.

*** Not Required on Ford Applications, Spacer Washers are welded to the Frame Bracket.

Note: Refer to Parts Identification section for Track Bar/Torque Rod (CAK) Information.

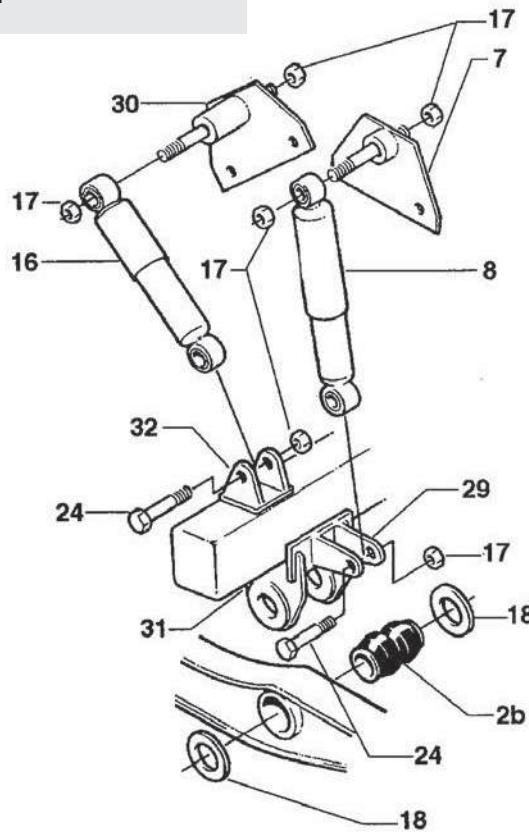
ARDTB-125-6A, -6B Exploded View



ARDTG-125-6B

**DISCONTINUED MODEL
SERVICE PARTS ONLY**

Please contact Customer Service for part availability
888.396.6501



ARDTG-125-6A



SAF-HOLLAND Group

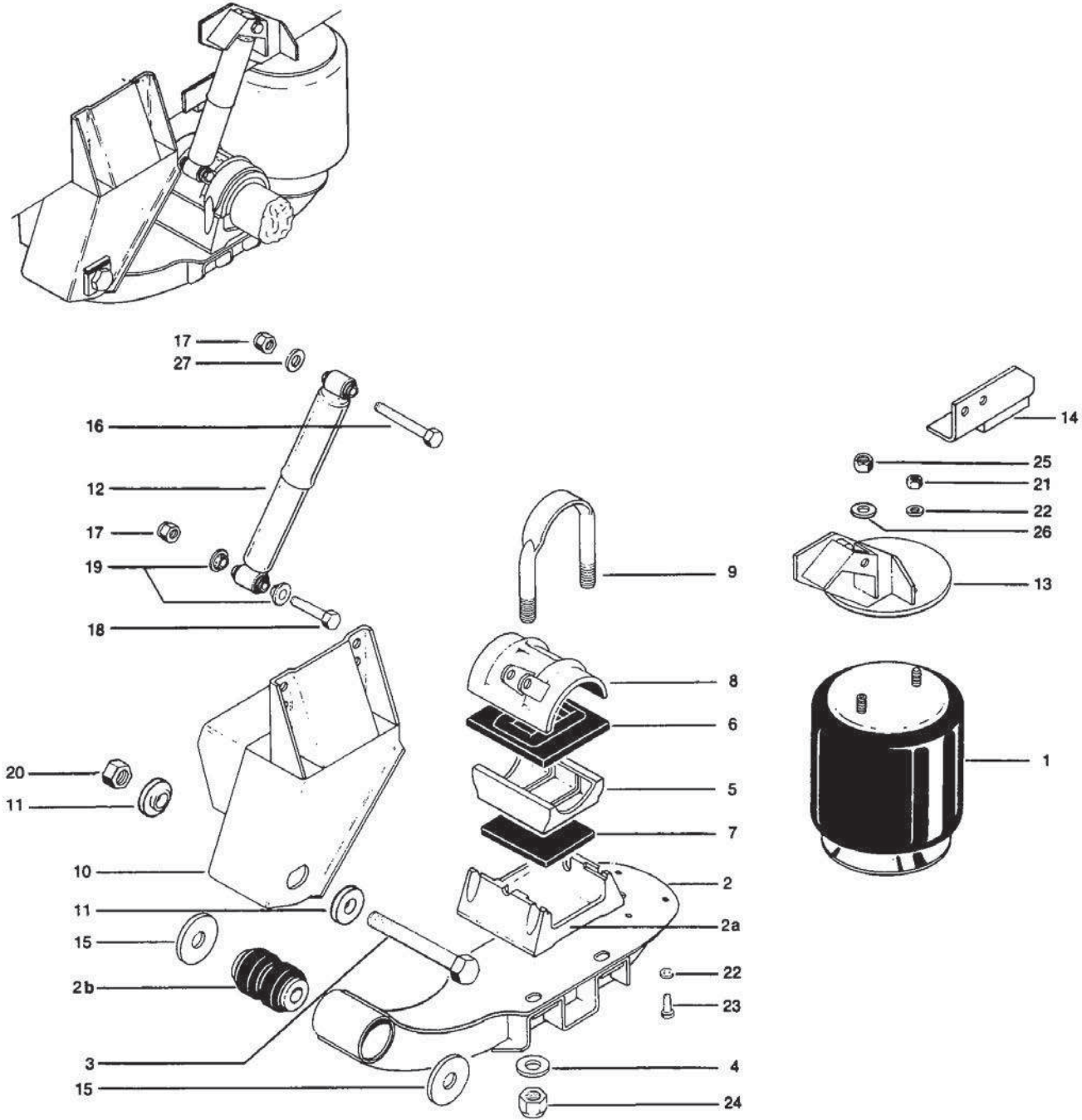
ARDTB-125-6A, -6B Parts List

ITEM	PART NO.	DESCRIPTION	QTY REQD	MODEL
1	905 57 098	Air Spring	2	All
2	905 16 293	Equalizing Beam Assembly (Includes Item #2a, 2b)	2	All
2a	900 08 151	Rubber Bushing (Pivot Connection)	2	All
2b	M00 08 000	Rubber Bushing (Axle Connection)	2	ARDTB-125-6A
	900 08 183	Rubber Bushing (Axle Connection)	2	ARDTB-125-6B
3	905 44 876	Transverse Beam Assembly (Includes Item #3a)	1	All
3a	900 08 135	Rubber Bushing (Transverse Beam)	2	All
4	900 08 181	Alignment Block	4	All
5	905 20 156	Frame Bracket Adjustable LH	1	All
	905 20 157	Frame Bracket Fixed RH	1	All
6	905 31 136	Air Spring Mounting Plate	2	All
7	905 20 258	Upper Shock Bracket - Rear	2	ARDTB-125-6A
8	900 45 053	Shock Absorber - Rear	2	ARDTB-125-6A
9	932 01 055	Cap Screw 1 1/8 - 7 x 9 1/4" Gr8	2	All
10	934 00 506	Lock Nut 1 1/8 - 7	2	All
11	900 45 031	Shock Absorber	4	ARDTB-125-6B
12	900 36 118	Spacer Washer	2	All
13	934 00 553	Lock Nut 3/4 - 10	10	ARDTB-125-6B
14	936 00 157	Washer	8	ARDTB-125-6B
15	934 00 603	Nut 2 1/4 - 12	2	All
16	900 45 050	Shock Absorber - Front	2	ARDTB-125-6A
17	934 00 492	Lock Nut 3/4 - 10	14	ARDTB-125-6A
18	936 00 514	Bearing Washer	4	ARDTB-125-6A
19	936 00 502	Spacer Washer	4	All
20	934 00 417	Lock Nut 3/4 - 16	2	All
21	930 02 893	Cap Screw 1/2 - 13 x 1" Gr2	2	All
22	934 00 136	Nut 1/2 - 13	2	All
23	936 00 072	Lock Washer 1/2	4	All
24	930 03 597	Cap Screw 3/4 - 10 x 3 1/2" Gr5	4	ARDTB-125-6A
25	930 03 693	Cap Screw 3/4 - 10 x 7 1/2" Gr5	2	All
26	938 00 235	Roll Pin	2	All
27	936 00 498	Washer	2	All
28	M00 01 000	Adapter Bushing	4	All
29	900 25 035	Lower Shock Bracket - Rear	2	ARDTB-125-6A
30	905 20 226	Upper Shock Bracket LH-Front	1	ARDTB-125-6A
	905 20 227	Upper Shock Bracket RH-Front	1	ARDTB-125-6A
	905 20 404	Upper Shock Bracket LH	1	ARDTB-125-6B
	905 20 405	Upper Shock Bracket RH	1	ARDTB-125-6B
31	905 01 210	Beam Hanger Bracket LH	1	All
	905 01 211	Beam Hanger Bracket RH	1	All
32	905 20 166	Lower Shock Bracket - Front	2	ARDTB-125-6A
	905 20 406	Lower Shock Bracket	2	ARDTB-125-6B
33	936 00 156	Washer 3/4	4	All
SERVICE REPAIR KITS				
	481 00 259	SRK-199 - Axle Connection	1	ARDTB-125-6A
	481 00 260	SRK-200 - Pivot Connection	1	All
	481 00 261	SRK-201 - Transverse Connection	1	All

ART-500-B, -1, ART-551-B-1, -2, -3 Exploded View



SAF-HOLLAND Group



**DISCONTINUED MODEL
SERVICE PARTS ONLY**
Please contact Customer Service for part availability
888.396.6501



SAF-HOLLAND Group

ART-500-B, -1, ART-551-B-1, -2, -3 Parts List

ITEM	PART NO.	DESCRIPTION	QTY REQD	MODEL
1	905 57 027	Air Spring Assembly	2	ART-500-B, -1
	905 57 009	Air Spring Assembly	2	ART-551-B-1, -2, -3
2	905 16 343	Equalizing Beam Assembly LH(Includes Item #2a, 2b)	1	ART-500-B, 551-B-3
	905 16 345	Equalizing Beam Assembly LH(Includes Item #2a, 2b)	1	ART-500-B-1, 551-B-2
	905 16 349	Equalizing Beam Assembly LH(Includes Item #2a, 2b)	1	ART-551-B-1
	905 16 344	Equalizing Beam Assembly RH(Includes Item #2a, 2b)	1	ART-500-B, 551-B-3
	905 16 346	Equalizing Beam Assembly RH(Includes Item #2a, 2b)	1	ART-500-B-1, 551-B-2
	905 16 350	Equalizing Beam Assembly RH(Includes Item #2a, 2b)	1	ART-551-B-1
2a	900 01 006	Beam Seat	2	ART-500-B, 551-B-3
	905 01 037	Beam Seat	2	ART-500-B-1, 551-B-2
	900 01 008	Beam Seat	2	ART-551-B-1
2b	900 08 139	Rubber Bushing	2	All
3	932 01 055	Cap Screw 1 1/8 - 7 x 9 1/4"	2	All
4	939 00 027	Washer 1	8	All
5	900 01 082	Axle Adapter	2	All
6	900 28 047	Rubber Wrapper	2	All
7	900 28 083	Rubber Pad	2	All
8	905 10 061	Axle Cap Assembly LH-Without Axle Stops	1	All
	905 10 062	Axle Cap Assembly RH-Without Axle Stops	1	All
	905 10 063	Axle Cap Assembly LH-With Axle Stops	1	All
	905 10 064	Axle Cap Assembly RH-With Axle Stops	1	All
9	900 41 878	U-Bolt 1-8 x 9	4	ART-500-B, 551-B-3
	900 42 791	U-Bolt 1-8 x 10 1/2"	4	ART-500-B-1, 551-B-2
	900 42 792	U-Bolt 1-8 x 12 1/2"	4	ART-551-B-1
10	905 18 457	Frame Bracket LHAdjustable	1	ART-500-B, -1
	905 18 458	Frame Bracket RHFixed	1	ART-500-B, -1
	905 18 461	Frame Bracket LHAdjustable	1	ART-551-B-1, -2, -3
	905 18 462	Frame Bracket RHFixed	1	ART-551-B-1, -2, -3
11	900 01 045	Adjusting Bushing	2	All
12	900 44 162	Shock Absorber	2	ART-500-B, -1
	900 44 642	Shock Absorber	2	ART-551-B-1, -2, -3
13	905 18 319	Air Spring & Shock Bracket Assembly LH	1	ART-500-B, 551-B-1, -3
	905 18 320	Air Spring & Shock Bracket Assembly RH	1	ART-500-B, 551-B-1, -3
	905 18 321	Air Spring & Shock Bracket Assembly LH	1	ART-500-B-1, 551-B-2
	905 18 322	Air Spring & Shock Bracket Assembly RH	1	ART-500-B-1, 551-B-2
14	905 44 241	Axle Stop Assembly LH	1	ART-500-B
	905 44 242	Axle Stop Assembly RH	1	ART-500-B
	905 44 243	Axle Stop Assembly LH	1	ART-500-B-1, 551-B-1
	905 44 244	Axle Stop Assembly RH	1	ART-500-B-1, 551-B-1
	905 44 245	Axle Stop Assembly LH	1	ART-551-B-2
	905 44 246	Axle Stop Assembly RH	1	ART-551-B-2
	905 44 247	Axle Stop Assembly LH	1	ART-551-B-3
	905 44 248	Axle Stop Assembly RH	1	ART-551-B-3
15	900 36 177	Spacer Washer	4	All
16	930 03 645	Hex Head Bolt 3/4 - 10 x 5 1/2" Gr5	2	All
17	934 00 492	Lock Nut 3/4 - 10 GrB	4	All
18	930 03 597	Hex Head Bolt 3/4 - 10 x 3 1/2" Gr5	2	All
19	905 08 004	Replacement Shock Bushing	8	All
20	934 00 506	Lock Nut 1 1/8 - 7 GrC	2	All
21	934 00 136	Hex Nut 1/2 - 13	2	All
22	936 00 072	Lock Washer 1/2	8	All
23	930 02 893	Hex Head Bolt 1/2 - 13 x 1"	6	All
24	934 00 502	Lock Nut 1-8 GrC	8	All
25	934 00 149	Hex Nut 3/4 - 16	2	All
26	936 00 077	Lock Washer 3/4	2	All
27	936 00 005	Washer 3/4	2	All

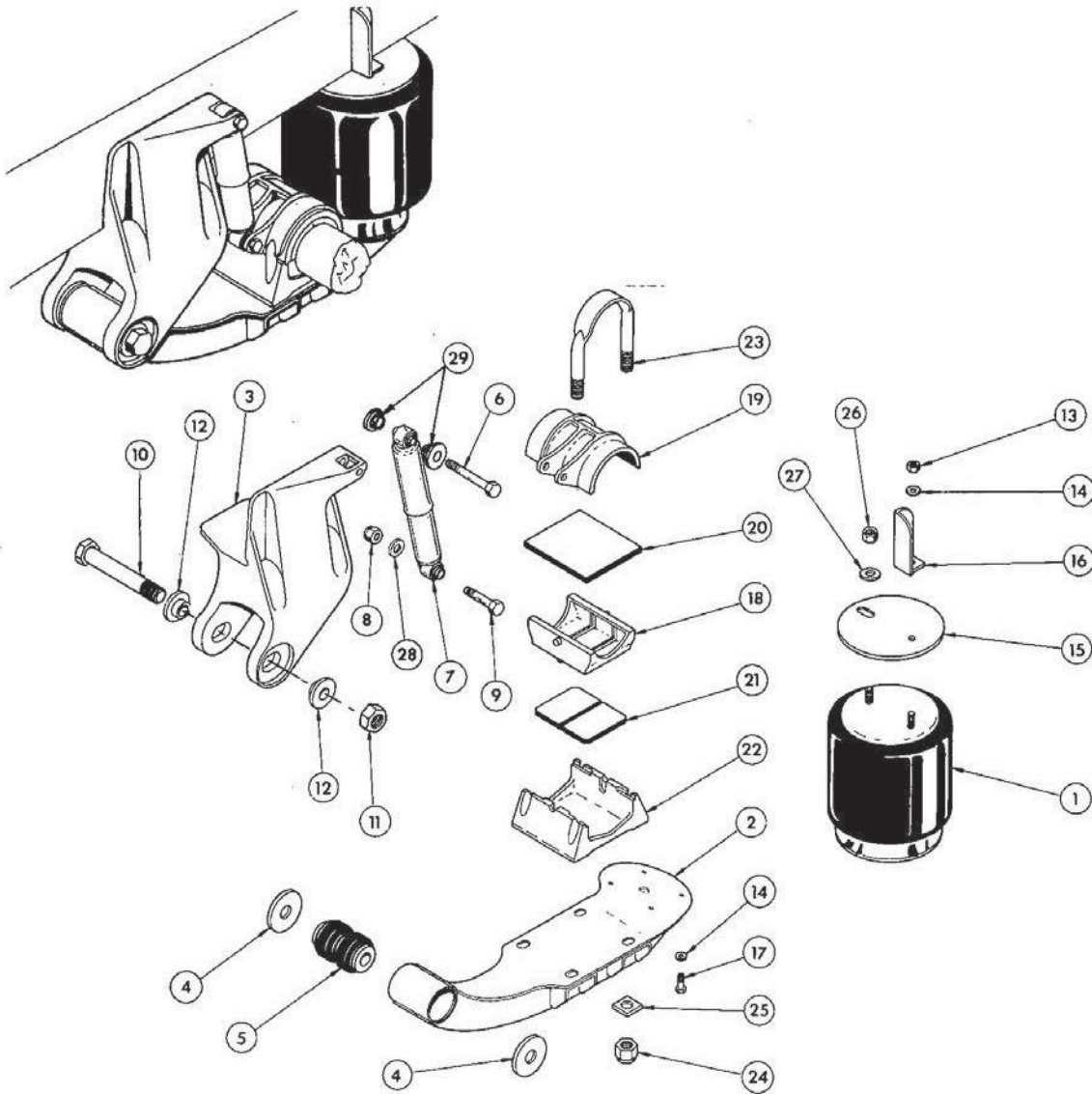
SERVICE REPAIR KITS

481 00 108	SRK-64 - Axle Connection (5" Round)	1	ART-500-B, 551-B-3
481 00 110	SRK-66 - Axle Connection (5" Round)	1	ART-500-B-1, 551-B-2
481 00 112	SRK-68 - Axle Connection (5" Square)	1	ART-500-B, 551-B-3
481 00 181	SRK-128 - Axle Connection (5" Round)	1	ART-551-B-1
481 00 202	SRK-145 - Pivot Connection	1	All

ART-500-US-A Exploded View



SAF-HOLLAND Group



DISCONTINUED MODEL SERVICE PARTS ONLY

Please contact Customer Service for part availability
888.396.6501



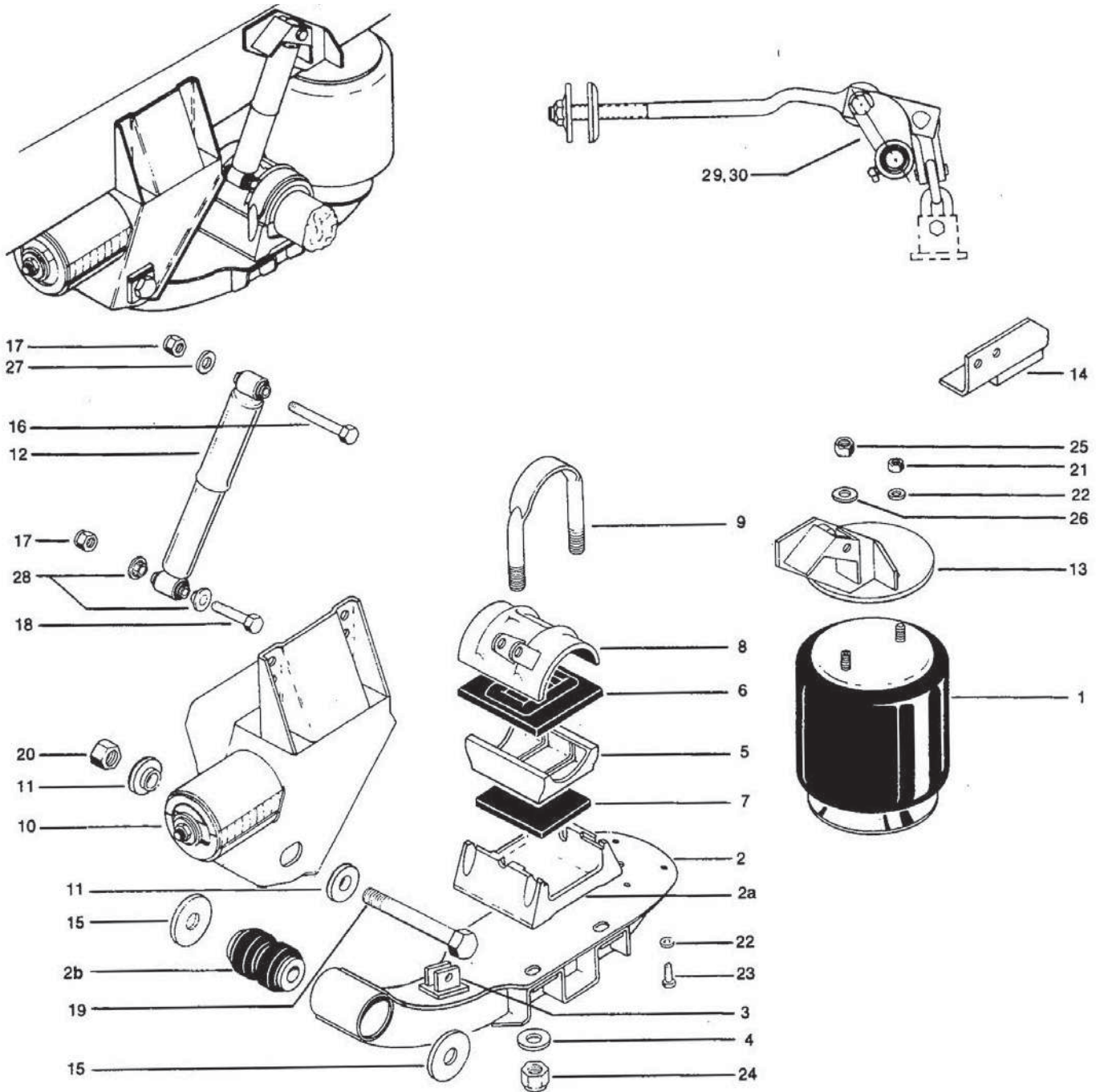
ITEM	PART NO.	DESCRIPTION	QTY REQD
1	905 57 027	Air Spring Assembly	2
2	905 16 343	Equalizing Beam Assembly LH"(Includes Item #5,22)	1
	905 16 344	Equalizing Beam Assembly RH"(Includes Item #5,22)	1
3*	n/a	Frame Bracket	2
4	900 36 177	Spacer Washer	4
5	900 08 139	Rubber Bushing	2
6	930 03 645	Hex Head Bolt 3/4 - 10 x 5 1/2" Gr5	2
7	900 44 162	Shock Absorber	2
8	934 00 492	Lock Nut 3/4 - 10 GrB	4
9	930 03 597	Hex Head Bolt 3/4 - 10 x 3 1/2" Gr5	2
10	932 00 993	Hex Head Bolt 1 1/4 - 7 x 9 1/2" Gr5	2
11	934 00 510	Lock Nut 1 1/4 - 7 GrC	2
12	900 08 012	Alignment Bushing	4
13	934 00 136	Hex Nut 1/2 - 13 GrB	2
14	936 00 072	Lock Washer 1/2	10
15	900 31 027	Air Spring Mounting Plate	2
16	900 31 051	Air Spring Mounting Bracket	2
17	930 02 893	Hex Head Bolt 1/2 - 13 x 1" Gr2	8
18	900 01 082	Axle Adapter	2
19	905 10 100	Axle Cap Assembly LH - Without Axle Stops	1
	905 10 101	Axle Cap Assembly RH - Without Axle Stops	1
	905 10 102	Axle Cap Assembly LH - With Axle Stops	1
	905 10 103	Axle Cap Assembly RH - With Axle Stops	1
20	900 28 047	Rubber Wrapper	2
21	900 28 083	Rubber Pad	2
22	900 01 006	Beam Seat	2
23	900 41 878	U-Bolt 1 - 8 x 9" Gr8	4
24	934 00 502	Lock Nut 1-8 GrC	8
25	936 00 028	Square Washer 1	8
26	934 00 149	Hex Nut 3/4 - 16 GrB	2
27	936 00 077	Lock Washer 3/4	2
28	936 00 005	Washer 3/4	2
29	905 08 004	Replacement Shock Bushing	8
SERVICE REPAIR KITS			
	481 00 023	SRK-12 - Pivot Connection	1
	481 00 108	SRK-64 - Axle Connection (5" Round)	1
	481 00 112	SRK-68 - Axle Connection (5" Square)	1

*Contact Customer Service for additional assistance

ART-505-B, -1, ART-555-B-1, -2, -3 Exploded View



SAF-HOLLAND Group



**DISCONTINUED MODEL
SERVICE PARTS ONLY**
Please contact Customer Service for part availability
888.396.6501



SAF-HOLLAND Group

ART-505-B, -1, ART-555-B-1, -2, -3 Parts List

ITEM	PART NO.	DESCRIPTION	QTY REQD	MODEL
1	905 57 027	Air Spring Assembly	2	ART-505-B, -1
	905 57 009	Air Spring Assembly	2	ART-555-B-1, -2, -3
2	905 16 335	Equalizing Beam Assembly LH (includes Item #2a, 2b, 3)	1	ART-505-B, 555-B-3
	905 16 336	Equalizing Beam Assembly RH (includes Item #2a, 2b, 3)	1	ART-505-B, 555-B-3
	905 16 337	Equalizing Beam Assembly LH (includes Item #2a, 2b, 3)	1	ART-505-B-1, 555-B-2
	905 16 338	Equalizing Beam Assembly RH (includes Item #2a, 2b, 3)	1	ART-505-B-1, 555-B-2
	905 16 341	Equalizing Beam Assembly LH (includes Item #2a, 2b, 3)	1	ART-555-B-1
	905 16 342	Equalizing Beam Assembly RH (includes Item #2a, 2b, 3)	1	ART-555-B-1
2a	900 01 006	Beam Seat	2	ART-505-B, 555-B-3
	900 01 037	Beam Seat	2	ART-505-B-1, 555-B-2
	900 01 008	Beam Seat	2	ART-555-B-1
2b	900 08 139	Rubber Bushing	2	All
3	905 31 040	Beam Lift Bracket	2	All
4	939 00 027	Washer 1	8	All
5	900 01 082	Axle Adapter	2	All
6	900 28 047	Rubber Washer	2	All
7	900 28 083	Rubber Pad	2	All
8	905 10 061	Axle Cap Assembly LH - Without Axle Stops	1	All
	905 10 062	Axle Cap Assembly RH - Without Axle Stops	1	All
	905 10 063	Axle Cap Assembly LH - With Axle Stops	1	All
	905 10 064	Axle Cap Assembly RH - With Axle Stops	1	All
9	900 41 878	U-Bolt 1-8 x 9"	4	ART-505-B, 555-B-3
	900 42 791	U-Bolt 1-8 x 10 1/2"	4	ART-505-B-1, 555-B-2
	900 42 792	U-Bolt 1-8 x 12 1/2"	4	ART-555-B-1
10	905 19 993	Frame Bracket LH Adjustable	1	ART-555-B-1, -2, -3
	905 19 994	Frame Bracket RH Fixed	1	ART-555-B-1, -2, -3
	905 19 995	Frame Bracket LH Adjustable	1	ART-505-B, -1
	905 19 996	Frame Bracket RH Fixed	1	ART-505-B, -1
11	900 08 147	Adjusting Bushing	2	All
12	900 44 162	Shock Absorber	2	ART-505-B, -1, 555-B-1
	900 44 642	Shock Absorber	2	ART-555-B-2, -3
13	905 18 319	Air Spring & Shock Bracket Assembly LH	1	ART-505-B, 555-B-1, -3
	905 18 320	Air Spring & Shock Bracket Assembly RH	1	ART-505-B, 555-B-1, -3
	905 18 321	Air Spring & Shock Bracket Assembly LH	1	ART-505-B-1, 555-B-2
	905 18 322	Air Spring & Shock Bracket Assembly RH	1	ART-505-B-1, 555-B-2
14	905 44 241	Axle Stop Assembly LH	1	ART-505-B
	905 44 242	Axle Stop Assembly RH	1	ART-505-B
	905 44 243	Axle Stop Assembly LH	1	ART-505-B-1, 555-B-1
	905 44 244	Axle Stop Assembly RH	1	ART-505-B-1, 555-B-1
	905 44 245	Axle Stop Assembly LH	1	ART-555-B-2
	905 44 246	Axle Stop Assembly RH	1	ART-555-B-2
	905 44 247	Axle Stop Assembly LH	1	ART-555-B-3
	905 44 248	Axle Stop Assembly RH	1	ART-555-B-3
15	900 36 177	Spacer Washer	4	All
16	930 03 645	Hex Head Bolt 3/4 - 10 x 5 1/2" Gr5	2	All
17	934 00 492	Lock Nut 3/4 - 10 GrB	4	All
18	930 03 597	Hex Head Bolt 3/4 - 10 x 3 1/2" Gr5	2	All
19	932 01 055	Hex Head Bolt 1 1/8 - 7 x 9 1/4" Gr8	2	All
20	934 00 506	Lock Nut 1 1/8 - 7 GrC	2	All
21	934 00 136	Hex Nut 1/2 - 13 GrB	2	All
22	936 00 072	Lock Washer 1/2	8	All
23	930 02 893	Hex Head Bolt 1/2 - 13 x 1" Gr2	6	All
24	934 00 502	Lock Nut 1 - 8 GrC	8	All
25	934 00 149	Hex Nut 3/4 - 16 GrB	2	All
26	936 00 077	Lock Washer 3/4	2	All
27	936 00 005	Washer 3/4	2	All
28	905 08 004	Replacement Shock Bushing	8	All
29	481 00 144	SRK-96 - Cam Assembly 1"	1	All
30	481 00 151	SRK-103 - Coil Spring Lift Kit - 1/2" Pin	1	All

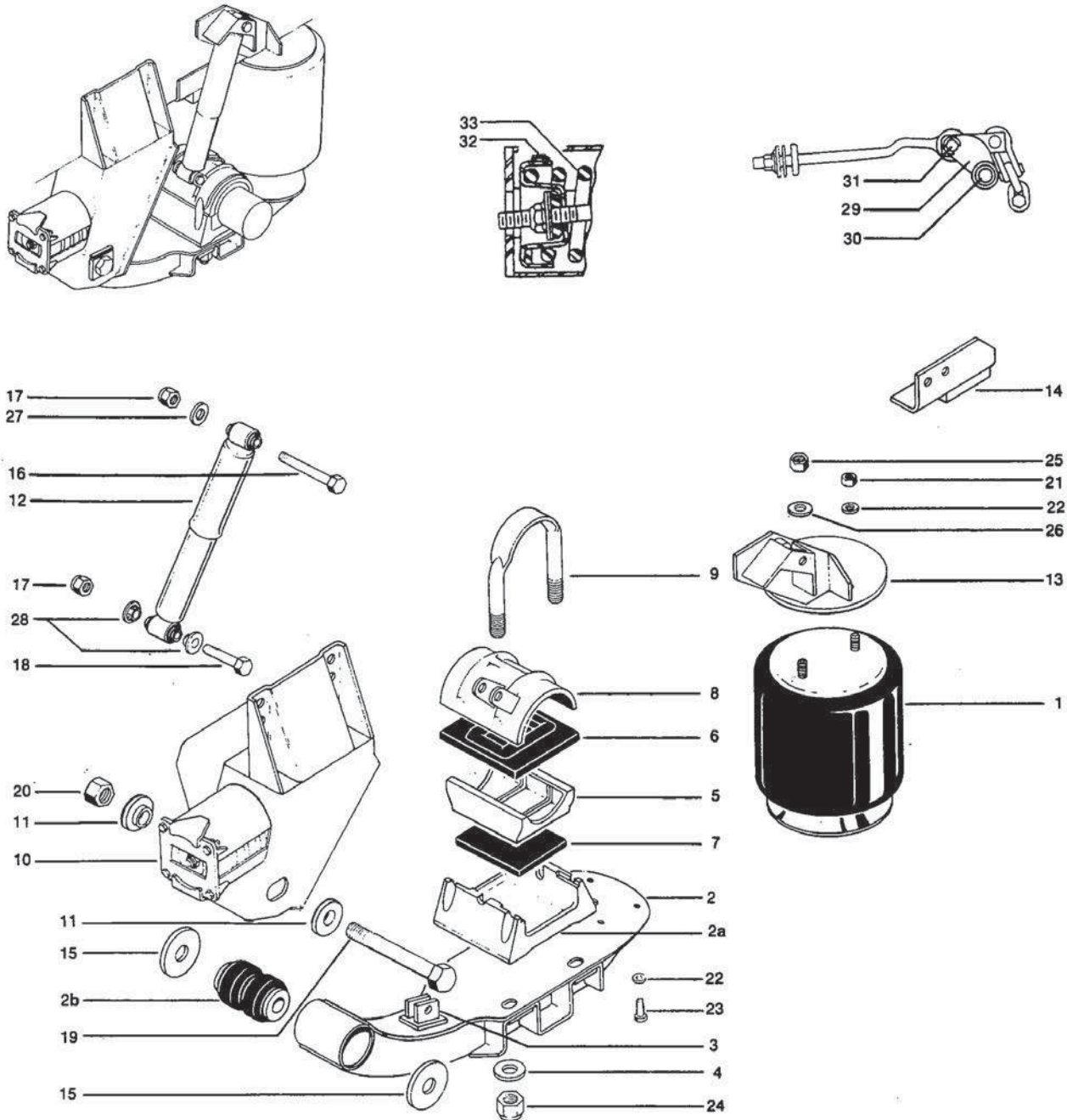
SERVICE REPAIR KITS

	481 00 108	SRK-64 - Axle Connection (5" Round)	1	ART-505-B, 555-B-3
	481 00 110	SRK-66 - Axle Connection (5" Round)	1	ART-505-B-1, 555-B-2
	481 00 112	SRK-68 - Axle Connection (5" Square)	1	ART-505-B, 555-B-3
	481 00 181	SRK-128 - Axle Connection (5" Round)	1	ART-555-B-1
	481 00 202	SRK-145 - Pivot Connection	1	All
	481 00 216	SRK-159 - Coil Spring Replacement	1	All

ART-505-C, -1, ART-555-C-1, -2, -3 Exploded View



SAF-HOLLAND Group



**DISCONTINUED MODEL
SERVICE PARTS ONLY**
Please contact Customer Service for part availability
888.396.6501



SAF-HOLLAND Group

ART-505-C, -1, ART-555-C-1, -2, -3 Parts List

ITEM	PART NO.	DESCRIPTION	QTY REQD	MODEL
1	905 57 027	Air Spring Assembly	2	ART-505-C, -1
	905 57 009	Air Spring Assembly	2	ART-555-C-1, -2, -3
2	905 16 335	Equalizing Beam Assembly LH (includes Item #2a, 2b, 3)	1	ART-505-C, 555-C-3
	905 16 336	Equalizing Beam Assembly RH (includes Item #2a, 2b, 3)	1	ART-505-C, 555-C-3
	905 16 337	Equalizing Beam Assembly LH (includes Item #2a, 2b, 3)	1	ART-505-C-1, 555-C-2
	905 16 338	Equalizing Beam Assembly RH (includes Item #2a, 2b, 3)	1	ART-505-C-1, 555-C-2
	905 16 341	Equalizing Beam Assembly LH (includes Item #2a, 2b, 3)	1	ART-555-C-1
	905 16 342	Equalizing Beam Assembly LH (includes Item #2a, 2b, 3)	1	ART-555-C-1
2a	900 01 006	Beam Seat	2	ART-505-C, 555-C-3
	900 01 037	Beam Seat	2	ART-505-C-1, 555-C-2
	900 01 008	Beam Seat	2	ART-555-C-1
2b	900 08 139	Rubber Bushing	2	All
3	905 31 040	Beam Lift Bracket	2	All
4	939 00 027	Washer 1	8	All
5	900 01 082	Axle Adapter	2	All
6	900 28 047	Rubber Washer	2	All
7	900 28 083	Rubber Pad	2	All
8	905 10 061	Axle Cap Assembly LH - Without Axle Stops	1	All
	905 10 062	Axle Cap Assembly RH - Without Axle Stops	1	All
	905 10 063	Axle Cap Assembly LH - With Axle Stops	1	All
	905 10 064	Axle Cap Assembly RH - With Axle Stops	1	All
9	900 41 878	U-Bolt 1-8 x 9"	4	ART-505-C, 555-C-3
	900 42 791	U-Bolt 1-8 x 10 1/2"	4	ART-505-C-1, 555-C-2
	900 42 792	U-Bolt 1-8 x 12 1/2"	4	ART-555-C-1
10	905 19 993	Frame Bracket LH Adjustable	1	ART-555-C-1, -2, -3
	905 19 994	Frame Bracket RH Fixed	1	ART-555-C-1, -2, -3
	905 19 995	Frame Bracket LH Adjustable	1	ART-505-C, -1
	905 19 996	Frame Bracket RH Fixed	1	ART-505-C, -1
11	900 08 147	Adjusting Bushing	2	All
12	900 44 162	Shock Absorber	2	ART-505-C, -1, 555-C-1
	900 44 642	Shock Absorber	2	ART-555-C-2, -3
13	905 18 319	Air Spring & Shock Bracket Assembly LH	1	ART-505-C, 555-C-1, -3
	905 18 320	Air Spring & Shock Bracket Assembly RH	1	ART-505-C, 555-C-1, -3
	905 18 321	Air Spring & Shock Bracket Assembly LH	1	ART-505-C-1, 555-C-2
	905 18 322	Air Spring & Shock Bracket Assembly RH	1	ART-505-C-1, 555-C-2
	905 44 241	Axle Stop Assembly LH	1	ART-505-C
14	905 44 242	Axle Stop Assembly RH	1	ART-505-C
	905 44 243	Axle Stop Assembly LH	1	ART-505-C-1, 555-C-1
	905 44 244	Axle Stop Assembly RH	1	ART-505-C-1, 555-C-1
	905 44 245	Axle Stop Assembly LH	1	ART-555-C-2
	905 44 246	Axle Stop Assembly RH	1	ART-555-C-2
	905 44 247	Axle Stop Assembly LH	1	ART-555-C-3
	905 44 248	Axle Stop Assembly RH	1	ART-555-C-3
	900 36 177	Spacer Washer	4	All
15	930 03 645	Hex Head Bolt 3/4 - 10 x 5 1/2" Gr5	2	All
16	934 00 492	Lock Nut 3/4 - 10 GrB	4	All
17	930 03 597	Hex Head Bolt 3/4 - 10 x 3 1/2" Gr5	2	All
18	932 01 055	Hex Head Bolt 1 1/8 - 7 x 9 1/4" Gr8	2	All
19	934 00 506	Lock Nut 1 1/8 - 7 GrC	2	All
20	934 00 136	Hex Nut 1/2 - 13 GrB	2	All
21	936 00 072	Lock Washer 1/2	8	All
22	930 02 893	Hex Head Bolt 1/2 - 13 x 1" Gr2	6	All
23	934 00 502	Lock Nut 1- 8 GrC	8	All
24	934 00 149	Hex Nut 3/4 - 16 GrB	2	All
25	936 00 077	Lock Washer 3/4	2	All
26	936 00 005	Washer 3/4	2	All
27	905 08 004	Replacement Shock Bushing	8	All
28	481 00 215	SRK-158 - Cam Assembly 1"	1	All
29	481 00 218	SRK-161 - Lower Cam Pin	1	All
30	481 00 219	SRK-162 - Upper Cam Pin	1	All
31	481 00 220	SRK-163 - Wear Band	1	All
32	481 00 230	SRK-173 - Coil Spring Replacement (Includes Install. Tool)	2	All
	481 00 250	SRK-173-1 - Coil Spring Replacement (w/o Install Tool)	2	All

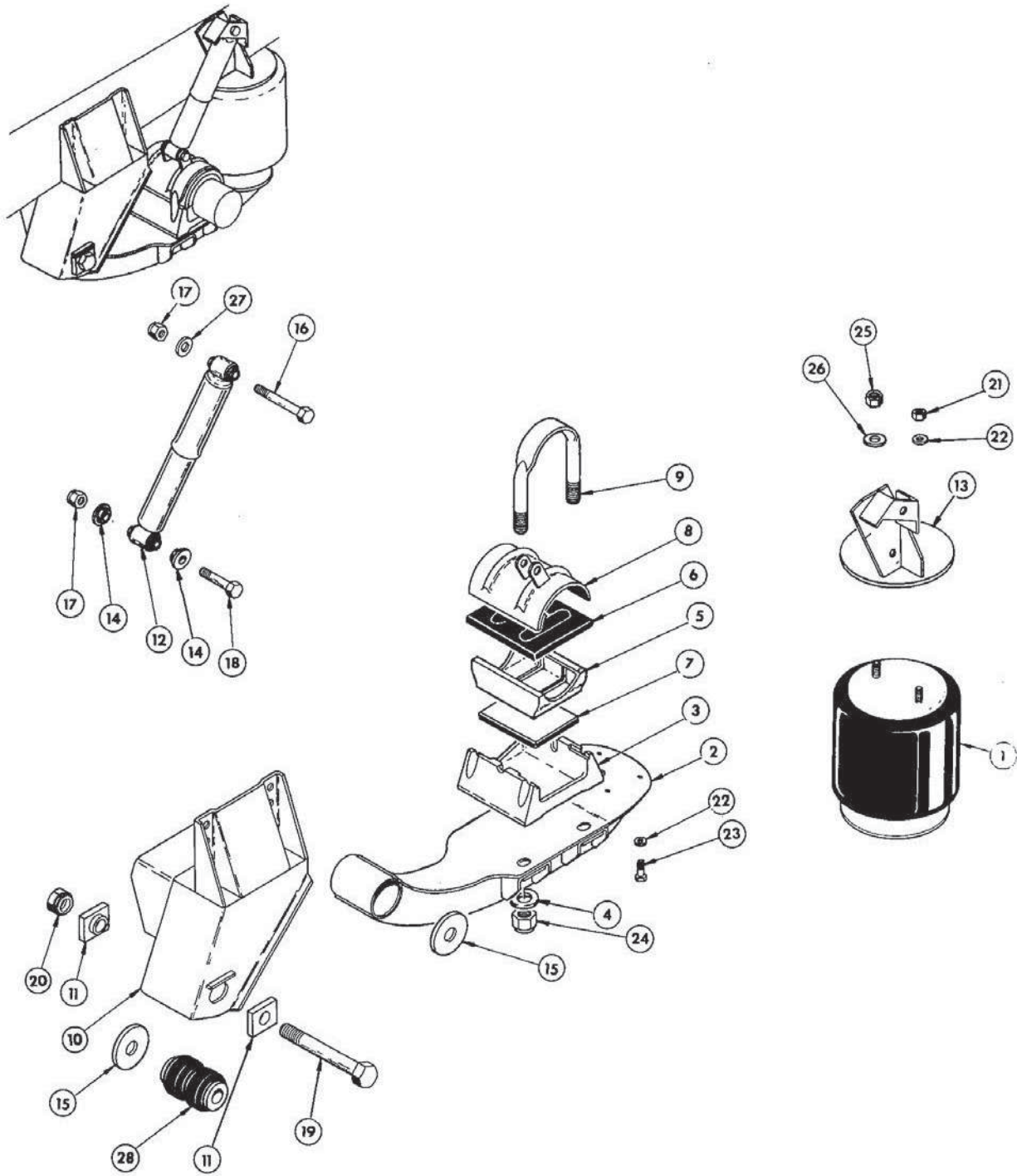
SERVICE REPAIR KITS

481 00 108	SRK-64 - Axle Connection (5" Round)	1	ART-505-C, 555-C-3
481 00 110	SRK-66 - Axle Connection (5" Round)	1	ART-505-C-1, 555-C-2
481 00 112	SRK-68 - Axle Connection (5" Square)	1	ART-505-C, 555-C-3
481 00 181	SRK-128 - Axle Connection (5" Round)	1	ART-555-C-1
481 00 202	SRK-145 - Pivot Connection	1	All

ART-541-B Exploded View



SAF-HOLLAND Group



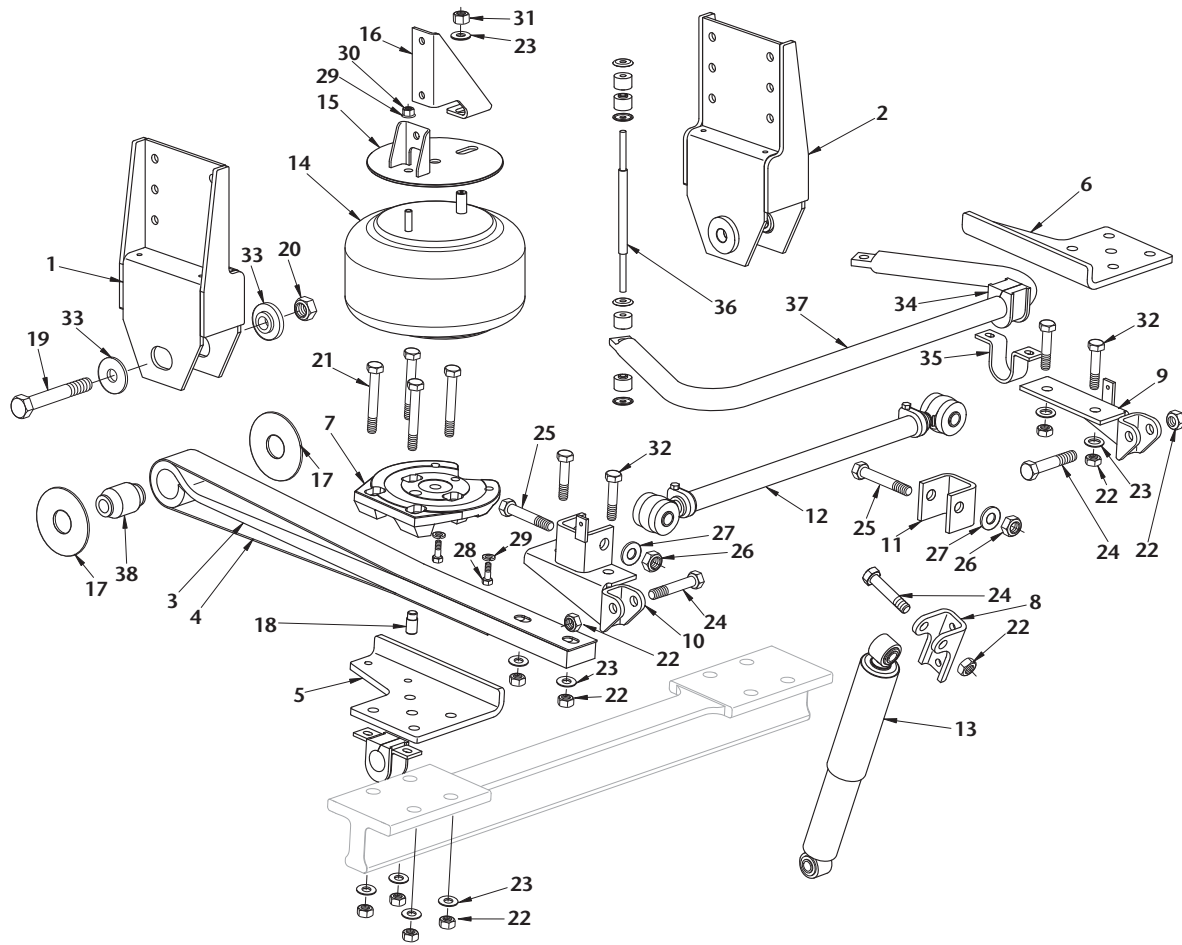
**DISCONTINUED MODEL
SERVICE PARTS ONLY**
Please contact Customer Service for part availability
888.396.6501



SAF-HOLLAND Group

ART-541-B Parts List

ITEM	PART NO.	DESCRIPTION	QTY REQD
1	905 57 027	Air Spring Assembly	2
2	905 16 197	Equalizing Beam Assembly LH (Includes Item #3, 28)	1
	905 16 198	Equalizing Beam Assembly RH (Includes Item #3, 28)	1
3	900 01 006	Beam Seat	2
4	939 00 027	Washer 1	8
5	900 01 082	Axle Adapter	2
6	900 28 047	Rubber Wrapper	2
7	900 28 083	Rubber Pad	2
8	905 10 112	Axle Cap Assembly LH	1
	905 10 113	Axle Cap Assembly RH	1
9	900 41 878	U-Bolt 1-8 x 9"	4
10	905 18 461	Frame Bracket LH Adjustable	1
	905 18 462	Frame Bracket RH Fixed	1
11	900 08 147	Adjusting Bushing	2
12	900 44 162	Shock Absorber	2
13	905 19 811	Air Spring & Shock Bracket Assembly LH	1
	905 19 812	Air Spring & Shock Bracket Assembly RH	1
14	905 08 004	Replacement Shock Bushing	8
15	900 36 177	Spacer Washer	4
16	900 03 645	Hex Head Bolt 3/4 - 10 x 5 1/2" Gr5	2
17	934 00 492	Lock Nut 3/4 - 10 GrB	4
18	930 03 597	Hex Head Bolt 3/4 - 10 x 3 1/2" Gr5	2
19	932 01 055	Hex Head Bolt 1 1/8 - 7 x 9 1/4" Gr8	2
20	934 00 506	Lock Nut 1 1/8 - 7 GrC	2
21	934 00 136	Hex Nut 1/2 - 13 GrB	2
22	936 00 072	Lock Washer 1/2	8
23	930 02 893	Hex Head Bolt 1/2 - 13 x 1" Gr2	6
24	934 00 502	Lock Nut 1-8 GrC	8
25	934 00 149	Hex Nut 3/4 - 16 GrB	2
26	936 00 077	Lock Washer 3/4	2
27	936 00 005	Washer 3/4	2
28	900 08 139	Rubber Bushing	2

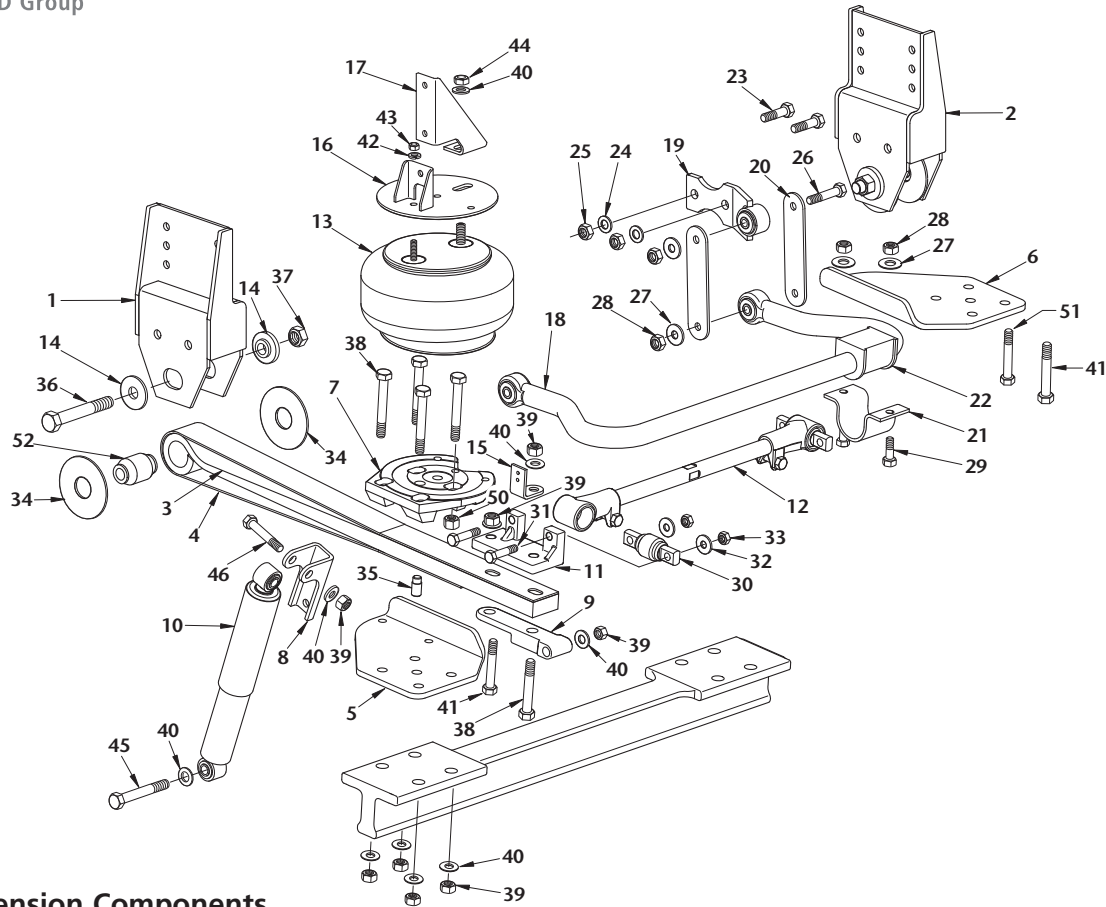


AS Suspension Components

ITEM NO.	DESCRIPTION	PART NO.	QTY.
1	Bracket Frame Adjustable Painted	*	1
2	Bracket Frame Fixed Painted	*	1
3	Straight Spring Beam Assembly	905 16 696	2
4	Strap Restraining	900 45 226	2
5	Plate Spacer LH Painted	*	1
6	Plate Spacer RH Painted	*	1
7	Plate Air Spring Mounting	900 33 845	2
8	Bracket Shock Upper Painted	900 18 542	2
9	Bracket Shock RH	905 20 673	1
10	Bracket Control Arm	905 20 672	1
11	Bracket	900 33 472	1
12	Track Bar Double Adjustable	900 45 385	1
13	Shock Absorber	*	2
14	Spring Air	*	2
15	Plate Air Spring Mounting	905 31 273	2
16	Brace Angle (where applicable)	900 23 131	2
17	Shim Pivot	900 36 192	4
18	Pin	900 45 233	2
19	Bolt Hex 1" x 8 x 6.5" Gr5	939 00 174	2

ITEM NO.	DESCRIPTION	PART NO.	QTY.
20	Nut Hex Lock 1" x 8 GrB	934 00 500	2
21	Bolt Hex 0.75" - 10 x 5" Gr8	930 03 635	8
22	Nut Hex Lock 0.75" - 10 GrC	934 00 494	16
23	Washer Flat Narrow 0.75"	936 00 156	14
24	Bolt Hex 0.75" - 10 x 3.75" Gr5	930 03 603	4
25	Bolt Hex 0.875" - 9 x 4.5" Gr5	930 03 831	2
26	Nut Hex Lock 0.875" - 9 GrB	934 00 496	2
27	Washer Flat Narrow 0.88"	936 00 162	4
28	Bolt Hex 0.5" - 13 x 1.25" Gr5	930 02 901	4
29	Washer Lock 0.53"	936 00 072	6
30	Nut Hex 0.5" - 13 GrB	934 00 136	2
31	Nut Hex Lock Thin 0.75" - 16 GrA	934 00 417	2
32	Bolt Hex 0.75" - 10 x 3" GrB	930 03 585	4
33	Alignment Block With Rust INHB	900 08 126	2
34	Bushing	900 08 194	2
35	Bracket	900 25 497	2
36	Link Assembly	905 45 761	2
37	Bar Stabilizer	900 45 212	1
38	Bushing	900 08 125	2

* Refer to the chassis builder specifications to properly identify the Holland part number for this component. A suspension serial tag denotes the Holland kit number that will provide the individual component number needed.



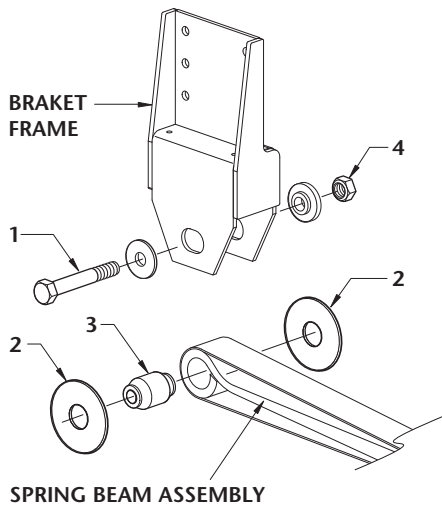
ASB Suspension Components

ITEM NO.	DESCRIPTION	PART NO.	QTY.
1	Bracket Frame Adj Painted	*	1
2	Bracket Frame Fixed Painted	*	1
3	Bent or Straight Spring Beam Assembly	*	2
4	Strap	*	2
5	Plate Bent LH Painted	*	1
6	Plate Bent RH Painted	*	1
7	Plate Air Spring Mounting	900 33 845	2
8	Bracket Upper Shock Painted	900 18 542	2
9	Shock Bracket Lower (Machined Painted)	M00 18 038	2
10	Shock Absorber	*	2
11	Bracket Track Rod	M00 18 041	1
12	Track Rod Assembly Adjustable	905 47 903	1
13	Air Spring Assembly	*	2
14	Alignment Block	*	2
15	Tab Bent	900 26 187	2
16	ASMP Upper Assembly Painted	905 31 273	2
17	Brace Painted	900 23 131	2
18	Sway Bar Assembly	905 06 028	1
19	Link Assembly With Bushing	905 21 624	2
20	Link Plate Painted	900 34 436	4
21	Bushing Clamp	900 26 040	2
22	Bushing	900 08 240	2
23	Bolt Hex 0.75" - 10 x 2.5" Gr8	930 03 575	4
24	Washer Flat Narrow 0.75"	936 00 156	4
25	Nut Hex Lock 0.75" - 10 GrC	934 00 494	4

ITEM NO.	DESCRIPTION	PART NO.	QTY.
26	Bolt Hex 0.62" - 11 x 3.25" Gr8	930 03 377	4
27	Washer Flat 0.65"	936 00 150	8
28	Nut Hex Lock 0.625" - 11 GrC	934 00 490	8
29	Bolt Hex 0.62" - 11 x 2" Gr8	930 03 347	4
30	Bushing	900 08 246	2
31	Bolt Hex 0.62" - 11 x 2.75" Gr8	930 03 365	4
32	Washer Flat 0.65"	936 00 150	4
33	Nut Hex Lock 0.625" - 11 GrC	934 00 490	4
34	Shim Pivot	900 36 192	4
35	Pin	900 45 233	2
36	Bolt Hex 1" - 8 x 6.5" Gr8	930 04 313	2
37	Nut Hex Lock 1" - 8 GrC	934 00 502	2
38	Bolt Hex 0.75" - 10 x 4.75" Gr8	930 03 629	9
39	Nut Hex Lock 0.75" - 10 GrC	934 00 494	16
40	Washer Flat Narrow 0.75"	936 00 156	20
41	Bolt Hex 0.75" - 10 x 4.25" Gr8	930 03 617	2
42	Washer Lock 0.53"	936 00 072	2
43	Nut Hex 0.5" - 13 GrB	934 00 136	2
44	Nut Hex Lock Thin 0.75" - 16 GrA	934 00 417	2
45	Bolt Hex 0.75" - 10 x 5.5" Gr8	930 03 647	2
46	Bolt Hex .75" - 10 x 3.75" Gr8	930 03 605	2
50	Nut Hex 0.75" - 10 GrB	934 00 492	2
51	Bolt Hex 0.75" - 10 x 3.25" Gr8	930 03 593	1
52	Bushing	900 08 125	2

* Refer to the chassis builder specifications to properly identify the Holland part number for this component. A suspension serial tag denotes the Holland kit number that will provide the individual component number needed.

NOTE: One (1) SRK required per axle.

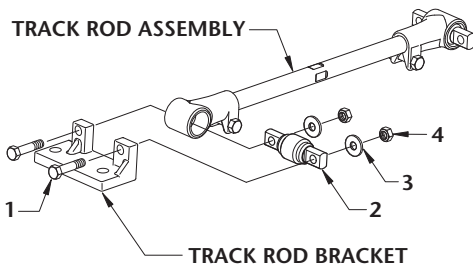


AS Front Pivot Connection

SRK-502 Holland part number 481 00 366

ITEM NO.	DESCRIPTION	PART NO.	QTY.
1	Bolt Hex 1" - 8 x 6.5" GR 5	939 00 174	2
2	Shim Pivot	900 36 192	4
3	Bushing	900 08 125	2
4	Nut Hex Lock 1" - 8 GR B	934 00 500	2

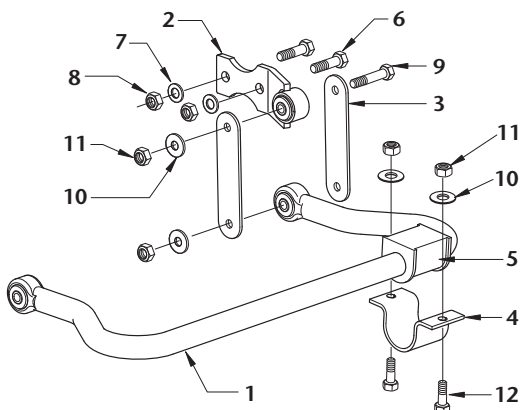
NOTE: Use Grade 8 and C hardware for ASB applications.



ASB Track Bar Kit

SRK-617 Holland part number 481 00 483

ITEM NO.	DESCRIPTION	PART NO.	QTY.
1	Bolt Hex 0.625" - 11 x 2.75" GR 8	930 03 365	2
2	Bushing	900 08 246	2
3	Washer Flat 0.65"	936 00 150	2
4	Nut Hex Lock 0.62" - 11 GR C	934 00 490	2



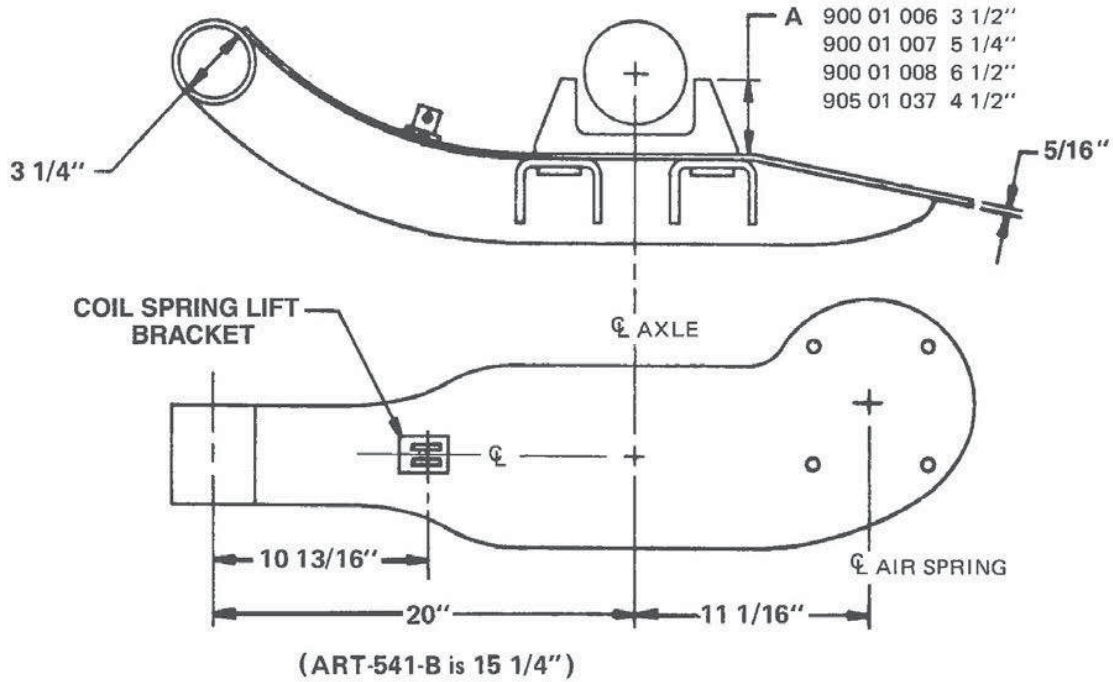
ASB Sway Bar Kit*

SRK-616 Holland part number 481 00 480

ITEM NO.	DESCRIPTION	PART NO.	QTY.
1	Sway Bar Assembly	905 06 028	1
2	Link Assembly With Bushing	905 21 624	2
3	Link Plate Painted	900 34 436	4
4	Bushing Clamp	900 26 040	2
5	Bushing	900 08 240	2
6	Bolt Hex 0.75" - 10 x 2.5" GR 8	930 03 575	4
7	Washer Flat Narrow 0.75"	936 00 156	4
8	Nut Hex Lock 0.75" - 10 GR C	934 00 494	4
9	Bolt Hex 0.62" - 11 x 3.25" GR 8	930 03 377	4
10	Washer Flat 0.65"	936 00 150	8
11	Nut Hex Lock 0.625" - 11 GR C	934 00 490	8
12	Bolt Hex 0.62" - 11 x 2" GR 8	930 03 347	4

* To order AS sway bar parts, refer to AS Series Parts List, Items 34 - 37.

ART-500-B, ART-500-US-A, ART-505-B/C, ART-541-B, ART-551-B & ART-555-B/C Series Equalizing Beam Identification



LEFT HAND PART NUMBER	RIGHT HAND PART NUMBER	A DIMENSION	APPLICATION
905 15 602*	905 15 603*	5-1/4	ART-555-B-1 SP
905 16 197	905 16 198	3-1/2	ART-541-B
905 16 335*	905 16 336*	3-1/2	ART-505-B/C, 555-B/C-3
905 16 337*	905 16 338*	4-1/2	ART-505-B/C-1, 555-B/C-2
905 16 341*	905 16 342*	6-1/2	ART-555-B/C-1
905 16 343	905 16 344	3-1/2	ART-500-US-A, 500-B, 551-B-3
905 16 345	905 16 346	4-1/2	ART-500-B-1, 551-B-2
905 16 349	905 16 350	6-1/2	ART-551-B-1

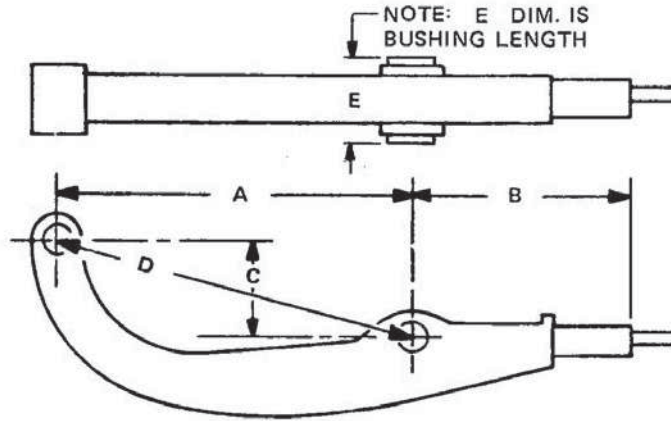
* Includes Coil Spring Lift Bracket

NOTE: Equalizing Beams include Beam Seat

ARD-120/238, ARD-125/244 & ARD-234 Equalizing Beam Identification



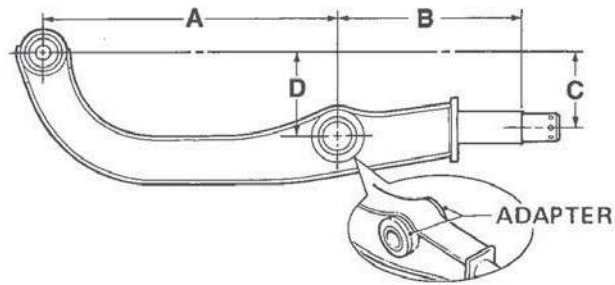
SAF-HOLLAND Group



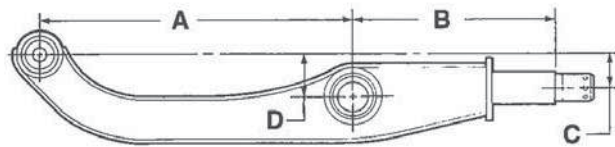
PART NUMBER	A DIMENSION	B DIMENSION	C DIMENSION	D DIMENSION	E DIMENSION	MODEL
905 15 773	24-3/4	15-7/16	7	25-23/32	5-3/4	ARD-234
905 16 151	24-3/4	15-9/16	7	25-23/32	5-3/4	ARD-120/238
905 16 177	24-3/4	15	7	25-23/32	5-1/4	ARD-125/244
905 16 181	24-1/16	15	3-1/2	24-5/16	5-1/4	ARD-125/244
905 16 288	24-3/4	15	7	25-23/32	5-3/4	ARD-125/244
905 16 369	24-19/32	15	5-1/4	25-5/32	5-3/4	ARD-125/244
905 16 488	25-9/16	15	7	26-1/2	5--3/4	ARD-125/244

IMPORTANT: The Equalizing Beam part numbers listed apply to units with the 1 1/8" diameter Pivot Bolt (1981 & later). For 1 1/4" diameter Pivot Bolt units (pre-1981), the following parts must be replaced along with the Equalizing Beam; Pivot Bolt, Lock Nut, Spacer Washer, and Alignment Bushing. Contact Holland Customer Service for specific instructions.

ARDST-123/244/246/250, ARDSTM/L-123/246 & ARDTB-125 Equalizing Beam Identification



ARDST & ARDSTM Series



ARDTB-125 Series

PART NUMBER	A DIMENSION	B DIMENSION	C DIMENSION	D DIMENSION	MODEL
905 16 286	24-3/4	15-1/2	6-3/8	7	ARDST-123/244/246 ARDSTM/L-123/246
905 16 293	26-1/4	17	2-7/8	3-1/2	ARDTB-125-6A/6B
905 16 352	24-3/4	15-1/2	4-5/8	5-1/4	ARDST-123/244/246
905 16 468	24-3/4	18-1/2	6-3/8	7	ARDST-250

NOTE: Front and Rear Equalizing Beams may differ on Tandem Suspensions.

ARDAB-120-5 & ARDAB-240-5 Equalizing Beam Identification



SAF-HOLLAND Group

The Air-Beam suspension adjusts to the pinion angle of the axle with a combination of bushing types, bushing installation angles, and shims. Most drive axles are tilted at an angle so they will mate with the angle of the incoming drive line. This angle will vary by vehicle manufacturer and model, and in a tandem installation the rear drive axle will usually have a higher pinion angle than the front drive axle.

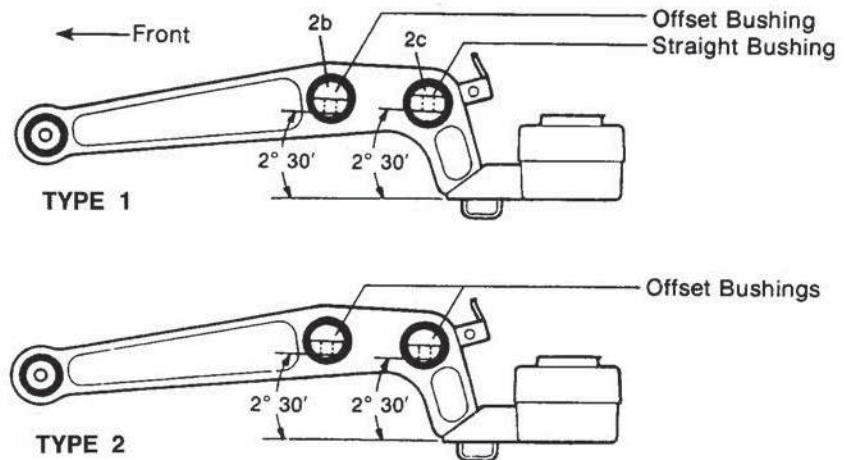
IMPORTANT: When ordering axle connection bushings, and/or shims, specify the correct beam type so that it will fit and maintain the correct pinion angle. It is critical that you can use the following step-by-step procedure when ordering and installing a beam assembly. Failure to do so can result in axle, drive line, frame, and suspension damage.

- 1) Determine the correct beam type (1 or 2) using the graphics below. If the rear bushing in your beam is straight you have a Type 1 beam, and if the bushing is offset you have a Type 2 beam. The type is also located on the serial number plate attached to the right hand (curb side) beam. If the plate cannot be read, contact your vehicle manufacturer for the correct pinion angle of your axle.
- 2) Using the beam type and/or pinion angle, reference the Equalizing Beam chart below to determine correct beam part number.
- 3) Before disassembling the beam, document the number and the location of the axle shims for proper replacement.

OFFSET BUSHING



STRAIGHT BUSHING



BEAM TYPE	PINION ANGLE	LEFT OR RIGHT HAND	PART NUMBER	AXLE CONNECTION BUSHINGS	
				FRONT (KEY #2b)	REAR (Key #2c)
1	2° – 8°	L	905 16 389	900 08 172	900 08 189
1	2° – 8°	R	905 16 390	900 08 172	900 08 189
2	8.1° – 13°	L	905 16 391	900 08 172	900 08 172
2	8.1° – 13°	R	905 16 392	900 08 172	900 08 172

IMPORTANT: Axle connection bushings must be installed correctly to accommodate the axle pinion angle. The Neway Air-Beam bushing replacement tool (Part No. 505 44 008) must be used for the procedure. If you have any questions regarding the installation, please contact Technical Service Department.



THIS PAGE INTENTIONALLY LEFT BLANK

Part Number Index



SAF-HOLLAND Group

PART NUMBER	PAGE NO.
410 23 327	3-80, 3-83, 3-101, 3-103, 3-104, 3-106, 3-108, 3-110
481 00 008	3-71, 3-73
481 00 016	3-69
481 00 018	3-79
481 00 020	4-22, 4-29, 4-31
481 00 022	3-69
481 00 023	5-43
481 00 033	4-45, 4-47
481 00 035	4-49, 4-51
481 00 042	4-22, 4-29, 4-31
481 00 050	4-43, 4-45, 4-47, 4-51
481 00 108	3-71, 3-73, 3-77, 3-79, 3-81, 3-83, 3-85, 3-87, 3-91, 3-105, 3-109, 5-41, 5-43, 5-45, 5-47
481 00 110	3-71, 5-41, 5-45, 5-47
481 00 112	3-71, 3-73, 3-77, 3-79, 3-81, 3-85, 3-87, 3-101, 3-105, 3-107, 5-41, 5-43, 5-45, 5-47
481 00 120	5-27
481 00 123	5-27
481 00 124	5-8, 5-8, 5-25, 5-27, 5-29, 5-35, 5-37
481 00 132	3-69
481 00 143	5-29
481 00 144	3-105, 3-107, 5-45
481 00 145	4-51
481 00 147	4-22, 4-29, 4-31
481 00 149	4-16, 4-51
481 00 151	3-105, 3-107, 5-45
481 00 154	5-27
481 00 161	5-25, 5-27
481 00 170	5-27
481 00 181	3-71, 3-81, 3-83, 3-85, 3-105, 3-109, 5-41, 5-45, 5-47
481 00 186	3-101, 3-103, 3-107, 3-111
481 00 190	4-23
481 00 193	3-79
481 00 194	5-27
481 00 202	3-48, 3-53, 3-55, 3-57, 3-58, 3-66, 3-67, 3-75, 3-77, 3-81, 3-83, 3-85, 3-87, 3-91, 3-93, 3-95, 3-97, 3-99, 3-101, 3-103, 3-105, 3-107, 3-109, 3-111, 3-113, 5-41, 5-45, 5-47
481 00 203	4-53
481 00 204	5-25, 5-29
481 00 205	5-25, 5-29
481 00 206	3-27, 3-37, 3-39, 3-41, 3-43, 3-46, 3-47, 3-53, 3-55, 3-57, 3-58, 3-65, 3-66, 3-67, 3-75, 3-93, 3-95, 3-97, 3-99, 3-113, 3-115, 3-117
481 00 215	3-109, 3-111, 5-47
481 00 216	3-105, 3-107, 5-45
481 00 218	3-109, 3-111, 5-47
481 00 219	3-109, 3-111, 5-47
481 00 220	3-109, 3-111, 5-47
481 00 230	3-109, 3-111, 5-47
481 00 245	5-31
481 00 246	5-31
481 00 247	5-31
481 00 249	5-31
481 00 250	3-109, 3-111, 5-47
481 00 253	5-31

PART NUMBER	PAGE NO.
481 00 259	5-39
481 00 260	5-35, 5-37, 5-39
481 00 261	5-35, 5-37, 5-39
481 00 263	3-89
481 00 264	3-27, 3-46, 3-47, 3-48, 3-115, 3-117
481 00 276	5-7
481 00 289	3-27, 3-48
481 00 291	3-27, 3-48, 3-115
481 00 292	3-27, 3-48, 3-115
481 00 294	3-67, 3-75, 3-113
481 00 295	3-27, 3-117
481 00 313	5-8
481 00 315	5-8
481 00 319	3-46, 3-47, 3-66
481 00 320	3-15
481 00 328	3-29, 3-31, 3-33, 3-35, 3-45, 3-46
481 00 329	3-27, 3-48
481 00 334	5-8
481 00 335	5-7
481 00 362	5-8
481 00 364	5-7
481 00 378	5-14, 5-15
481 00 379	5-15
481 00 383	3-37, 3-39, 3-46, 3-47, 3-66, 3-67
481 00 384	3-27, 3-46, 3-47, 3-66
481 00 385	3-15, 3-27, 3-29, 3-31, 3-33, 3-35, 3-46, 3-47, 3-66
481 00 386	3-37, 3-39, 3-46, 3-47, 3-66, 3-67
481 00 387	3-46, 3-47, 3-66, 3-67
481 00 388	3-41, 3-43, 3-45, 3-46, 3-47, 3-65, 3-66, 3-67
481 00 389	3-15, 3-27, 3-29, 3-31, 3-33, 3-35, 3-46, 3-48, 3-66
481 00 394	3-3, 3-6, 3-24
481 00 395	3-3, 3-6
481 00 396	3-3, 3-7
481 00 406	3-24
481 00 427	5-7
481 00 428	5-8
481 00 429	5-7
481 00 449	3-3, 3-7
481 00 450	3-3, 3-7
481 00 462	3-21, 3-22
481 00 463	3-21, 3-22
481 00 464	3-21, 3-22
481 00 465	3-21, 3-23
481 00 466	3-21, 3-23
481 00 467	3-21, 3-23
481 00 471	3-24
481 00 481	5-15
481 00 482	5-14
481 00 492	3-3, 3-7
481 00 493	3-3, 3-7
481 00 494	3-3, 3-7
481 00 495	3-7
481 00 509	5-20
481 00 510	5-20
481 00 511	5-20
481 00 512	5-21
481 00 513	5-22
481 00 518	5-22
481 00 530	5-21
481 00 531	5-21
900 01 002	5-2, 5-3, 5-8, 5-25, 5-27, 5-35, 5-37
900 01 006	3-71, 3-73, 3-77, 3-79,

PART NUMBER	PAGE NO.
900 01 006	3-81, 3-83, 3-85, 3-87, 3-105, 3-109, 5-41, 5-43, 5-45, 5-47, 5-49
900 01 007	3-71
900 01 008	3-71, 3-81, 3-83, 3-85, 3-105, 3-109, 5-41, 5-45, 5-47
900 01 012	3-119, 3-120
900 01 037	5-45, 5-47
900 01 045	3-79, 5-41
900 01 065	5-2, 5-8
900 01 078	3-118
900 01 082	3-69, 3-71, 3-73, 3-77, 3-79, 3-81, 3-83, 3-85, 3-87, 3-101, 3-105, 3-107, 3-109, 3-118, 5-41, 5-43, 5-45, 5-47, 5-49
900 01 083	3-81, 3-83, 3-101, 3-105, 3-107, 3-109
900 01 086	3-118
900 01 119	3-71, 3-107
900 01 127	4-53
900 01 128	3-107
900 01 131	3-89, 3-91, 3-101, 3-103, 3-111
900 01 132	3-89, 3-91, 3-103, 3-111
900 01 133	3-103, 3-111
900 01 136	5-32
900 01 137	5-32
900 01 151	5-32
900 01 181	3-111
900 01 200	3-57
900 01 205	5-2, 5-8
900 01 211	5-11
900 01 215	3-10, 3-14, 3-17, 3-117, 4-55
900 01 216	3-10, 3-14, 3-17, 3-117, 4-55
900 01 228	5-11
900 01 229	5-11
900 01 299	3-63
900 01 300	3-63
900 01 340	3-27, 3-29, 3-31, 3-33, 3-35, 3-48
900 01 341	3-27, 3-29, 3-31, 3-33, 3-35, 3-48
900 01 349	5-4, 5-8
900 03 645	5-49
900 06 003	3-69, 3-71
900 06 283	3-121
900 06 338	5-29
900 06 380	5-25, 5-27
900 08 002	5-27
900 08 003	5-27
900 08 004	3-109
900 08 006	5-27
900 08 008	5-2, 5-8, 5-25, 5-27, 5-29, 5-35, 5-37
900 08 011	4-13, 4-49, 4-50
900 08 012	5-43
900 08 043	4-19, 4-22
900 08 044	4-19, 4-22
900 08 092	3-80, 3-101, 3-103, 3-104, 3-106, 3-108, 3-110
900 08 104	5-29
900 08 110	5-27
900 08 113	5-11, 5-25, 5-27
900 08 120	5-2, 5-3, 5-27, 5-29, 5-35, 5-37
900 08 125	5-50, 5-51, 5-52



PART NUMBER	PAGE NO.
900 08 126	5-50
900 08 131	3-79, 4-13, 4-15, 4-16, 4-53, 5-27
900 08 135	5-4, 5-7, 5-35, 5-37, 5-39
900 08 139	3-37, 3-39, 3-41, 3-43, 3-45, 3-47, 3-48, 3-53, 3-55, 3-57, 3-58, 3-59, 3-61, 3-63, 3-65, 3-67, 3-75, 3-77, 3-81, 3-83, 3-85, 3-87, 3-91, 3-93, 3-95, 3-97, 3-99, 3-101, 3-103, 3-105, 3-107, 3-109, 3-111, 3-113, 4-55, 5-41, 5-43, 5-45, 5-47, 5-49
900 08 145	5-25, 5-29
900 08 147	3-27, 3-29, 3-41, 3-43, 3-50, 3-53, 3-55, 3-57, 3-59, 3-65, 3-75, 3-77, 3-83, 3-85, 3-87, 3-91, 3-93, 3-95, 3-97, 3-99, 3-113, 3-115, 3-117, 4-55, 5-45, 5-47, 5-49
900 08 148	4-53
900 08 149	3-10, 3-14, 3-17, 3-27, 3-29, 3-31, 3-33, 3-35, 3-37, 3-39, 3-41, 3-43, 3-45, 3-47, 3-48, 3-53, 3-55, 3-57, 3-58, 3-59, 3-61, 3-63, 3-65, 3-67, 3-75, 3-93, 3-95, 3-97, 3-99, 3-113, 3-115, 3-117, 4-55
900 08 150	5-25, 5-35, 5-37
900 08 151	5-35, 5-37, 5-39
900 08 165	5-11, 5-11, 5-31, 5-31
900 08 166	5-11, 5-31
900 08 172	5-56
900 08 175	5-2
900 08 178	3-89
900 08 181	5-39
900 08 183	5-39
900 08 185	3-75, 3-113, 3-117
900 08 186	3-17, 3-75, 3-113, 3-117
900 08 189	5-56
900 08 190	5-11
900 08 191	5-11
900 08 192	5-11
900 08 194	5-50
900 08 195	5-3, 5-8
900 08 198	3-17, 3-27, 3-29, 3-31, 3-33, 3-35, 3-37, 3-39, 3-41, 3-43, 3-45, 3-47, 3-48, 3-50, 3-53, 3-59, 3-61, 3-65
900 08 211	5-13, 5-14, 5-15
900 08 219	5-2, 5-3, 5-7
900 08 225	5-4, 5-8
900 08 232	5-4
900 08 234	3-10, 3-14
900 08 238	3-10, 3-14, 3-27, 3-29, 3-31, 3-33, 3-35, 3-37, 3-39, 3-47, 3-48, 3-49, 3-50, 3-53, 3-55, 3-59, 3-61, 3-67
900 08 240	5-51, 5-52
900 08 241	5-13, 5-15
900 08 242	5-13, 5-14
900 08 243	5-13, 5-15
900 08 246	5-51, 5-52
900 08 247	3-6, 3-21, 3-24

PART NUMBER	PAGE NO.
900 08 252	5-2, 5-3, 5-7
900 08 256	5-4, 5-7
900 08 264	5-17, 5-19, 5-20
900 08 265	5-17, 5-19, 5-20
900 08 266	5-17, 5-19, 5-20
900 08 267	5-17, 5-19, 5-20
900 09 011	4-15
900 10 001	3-69
900 10 002	3-101, 3-103, 3-107, 3-111
900 10 009	4-49, 4-51
900 10 022	3-81, 3-101, 3-105, 3-107
900 10 026	3-118
900 10 032	3-71, 3-73, 3-77, 3-79, 3-81, 3-83, 3-85, 3-87, 3-89, 3-91, 3-105, 3-109
900 10 047	3-83, 3-103, 3-109, 3-111
900 15 113	5-13
900 15 115	5-13
900 15 150	4-7
900 18 010	3-69, 3-71, 3-73
900 18 011	3-71
900 18 031	5-13
900 18 036	5-25, 5-29
900 18 061	3-79
900 18 062	3-79
900 18 067	3-79
900 18 114	3-79
900 18 115	3-91
900 18 116	3-89, 3-93, 5-27, 5-35, 5-37
900 18 179	3-81, 3-101, 3-105, 3-107
900 18 218	3-121
900 18 301	3-71, 3-87
900 18 322	3-81, 3-101, 3-105, 3-107
900 18 348	3-85, 3-87, 4-53
900 18 367	5-25, 5-29
900 18 427	3-83, 3-91, 3-103
900 18 431	5-25
900 18 445	3-29, 3-33, 3-39, 3-55, 3-95, 3-115, 3-117
900 18 472	5-11, 5-31
900 18 475	5-31
900 18 482	5-25, 5-27
900 18 515	3-27, 3-37, 3-75, 3-97, 3-99
900 18 527	3-83, 3-103, 3-111
900 18 542	5-11, 5-13, 5-17, 5-19, 5-50, 5-51
900 18 578	5-27, 5-35, 5-37
900 18 579	5-27, 5-35, 5-37
900 18 658	5-13
900 18 670	5-13
900 18 725	5-17, 5-19
900 18 727	5-17, 5-19
900 18 729	5-17, 5-19
900 18 749	3-103
900 19 749	3-109
900 23 001	3-37, 3-39, 3-41, 3-43, 3-45, 3-50, 3-53, 3-57, 3-59, 3-75, 3-87, 3-93, 3-95, 3-97, 3-99, 3-113, 3-115, 3-117, 4-55
900 23 002	3-27, 3-29, 3-31, 3-33, 3-35, 3-37, 3-39, 3-41, 3-43, 3-45, 3-49, 3-50, 3-53, 3-55, 3-57, 3-59, 3-61, 3-65, 3-75, 3-77, 3-80, 3-83, 3-85, 3-91, 3-93, 3-95, 3-97, 3-99, 3-113, 3-115, 3-117
900 23 003	3-77
900 23 044	4-49

PART NUMBER	PAGE NO.
900 23 046	4-49
900 23 131	5-3, 5-4, 5-19, 5-25, 5-27, 5-29, 5-35, 5-37, 5-50, 5-51
900 23 865	3-81, 3-101, 3-105, 3-107
900 23 866	3-80, 3-83, 3-101, 3-103, 3-104, 3-106, 3-108, 3-110
900 23 876	3-83, 3-87, 3-91, 3-103, 3-109, 3-111
900 23 918	3-80, 3-83, 3-101, 3-103, 3-104, 3-106, 3-108, 3-110
900 23 919	3-80, 3-83, 3-101, 3-103, 3-104, 3-106, 3-108, 3-110
900 24 664	3-83, 3-103, 3-111
900 24 665	3-83
900 24 738	3-85
900 24 926	5-31
900 24 932	5-31
900 25 018	3-91
900 25 035	5-39
900 25 157	3-27, 3-29, 3-31, 3-33, 3-35, 3-41, 3-43, 3-49, 3-50, 3-53, 3-55, 3-97
900 25 257	3-27, 3-117
900 25 288	3-53, 3-55, 3-57, 3-59, 3-113
900 25 497	5-50
900 25 873	3-61, 3-65
900 26 040	5-51, 5-52
900 26 068	5-13
900 26 187	5-51
900 26 410	5-17, 5-19
900 28 005	3-101, 3-107
900 28 007	3-69, 3-71, 3-73, 3-79, 3-101, 3-103, 3-107, 3-111
900 28 016	3-71, 3-73, 3-79
900 28 047	3-71, 3-73, 3-77, 3-79, 3-81, 3-83, 3-85, 3-87, 3-89, 3-91, 3-105, 3-109, 3-118, 5-41, 5-43, 5-45, 5-47, 5-49
900 28 073	3-81, 3-83, 3-103, 3-105, 3-109, 3-111
900 28 083	3-69, 3-71, 3-73, 3-77, 3-79, 3-81, 3-83, 3-85, 3-87, 3-89, 3-91, 3-101, 3-103, 3-105, 3-107, 3-109, 3-111, 3-118, 5-41, 5-43, 5-45, 5-47, 5-49
900 31 007	3-121
900 31 025	3-77
900 31 027	3-79, 3-91, 3-121, 5-25, 5-43
900 31 051	5-43
900 31 137	3-109
900 31 169	4-53
900 31 182	3-91, 3-93, 3-95
900 31 437	3-77, 3-85, 3-87, 3-91
900 31 443	3-77
900 31 445	3-87
900 32 137	3-81, 3-83, 3-101, 3-103, 3-105, 3-107, 3-111
900 32 382	5-29
900 32 386	5-29
900 32 561	3-77, 3-79
900 32 742	3-93
900 33 019	3-75
900 33 327	5-31, 5-33
900 33 361	5-31, 5-33
900 33 376	5-31
900 33 449	3-89

Part Number Index



SAF-HOLLAND Group

PART NUMBER	PAGE NO.
900 33 472	5-50
900 33 511	3-91
900 33 785	3-27, 3-29, 3-31, 3-33, 3-35, 3-37, 3-39, 3-53, 3-55, 3-57, 3-59, 3-65, 3-69, 3-71, 3-73, 3-75, 3-81, 3-83, 3-85, 3-87, 3-89, 3-91, 3-93, 3-95, 3-97, 3-99, 3-101, 3-103, 3-105, 3-107, 3-109, 3-111, 3-113, 3-115, 3-117
900 33 845	5-50, 5-51
900 34 101	3-17
900 34 137	3-17
900 34 145	3-17
900 34 146	3-17
900 34 147	3-17
900 34 247	3-21
900 34 268	3-61, 3-63
900 34 436	5-51, 5-52
900 34 725	5-20
900 34 740	5-17, 5-19
900 34 754	5-17, 5-19
900 36 001	5-27
900 36 007	5-11, 5-25, 5-27
900 36 118	5-35, 5-37, 5-39
900 36 142	4-53, 4-55
900 36 152	4-53
900 36 159	5-31
900 36 160	5-31
900 36 165	5-8
900 36 175	3-27, 3-47, 3-53, 3-55, 3-57, 3-58, 3-65, 3-67
900 36 177	3-10, 3-14, 3-17, 3-27, 3-29, 3-31, 3-33, 3-35, 3-37, 3-39, 3-41, 3-43, 3-45, 3-47, 3-48, 3-49, 3-50, 3-53, 3-55, 3-57, 3-58, 3-59, 3-61, 3-63, 3-65, 3-67, 3-75, 3-77, 3-81, 3-83, 3-85, 3-87, 3-91, 3-93, 3-95, 3-97, 3-99, 3-101, 3-103, 3-104, 3-106, 3-108, 3-110, 3-113, 3-115, 3-117, 4-55, 5-41, 5-43, 5-45, 5-47, 5-49
900 36 192	5-50, 5-51, 5-52
900 36 209	5-3, 5-7
900 36 210	5-3, 5-8
900 36 217	3-10, 3-14, 3-17, 3-27, 3-29, 3-31, 3-33, 3-35, 3-47
900 36 244	5-3
900 36 249	5-13
900 36 251	5-13
900 36 278	5-17, 5-19, 5-22
900 38 056	3-77
900 38 083	5-29
900 38 249	3-77
900 38 312	3-39, 3-93, 3-95
900 38 393	3-63
900 38 413	3-17
900 41 067	4-19, 4-22, 4-29, 4-31
900 41 170	3-61, 3-63, 3-65, 4-51
900 41 174	4-43, 4-45, 4-47
900 41 272	4-33
900 41 322	4-21, 4-37
900 41 324	4-25, 4-27, 4-35, 4-39, 4-41
900 41 326	4-13, 4-15
900 41 348	4-21, 4-37
900 41 350	4-21, 4-25

PART NUMBER	PAGE NO.
900 41 353	4-35
900 41 354	4-27, 4-39, 4-41
900 41 382	3-101, 3-103, 3-107
900 41 384	3-111
900 41 394	3-101, 3-103, 3-107, 3-111
900 41 430	4-49
900 41 474	4-19
900 41 476	4-31
900 41 478	4-19, 4-25
900 41 482	4-27, 4-31
900 41 518	4-33
900 41 522	4-33
900 41 532	4-33
900 41 690	4-37
900 41 696	4-21
900 41 698	4-41
900 41 700	4-21, 4-41
900 41 807	4-13, 4-15
900 41 842	4-13, 4-15
900 41 878	3-71, 3-73, 3-77, 3-79, 3-81, 3-83, 3-85, 3-87, 3-89, 3-91, 3-105, 3-109, 5-41, 5-43, 5-45, 5-47, 5-49
900 41 886	3-71
900 41 969	4-21, 4-37
900 41 971	4-25
900 41 997	3-81, 3-101, 3-105, 3-107
900 42 061	4-29, 4-31
900 42 064	4-19
900 42 106	4-51
900 42 408	3-118
900 42 544	4-19
900 42 791	5-41, 5-45, 5-47
900 42 792	3-71, 3-81, 3-83, 3-85, 3-105, 3-109, 5-41, 5-45, 5-47
900 42 795	3-81, 3-101, 3-105, 3-107
900 42 796	4-19, 4-21, 4-23, 4-29, 4-35, 4-37, 4-39, 4-41
900 42 814	4-13, 4-15
900 42 836	3-83, 3-103, 3-109, 3-111
900 42 846	3-83, 3-103, 3-109, 3-111
900 42 896	5-11
900 42 897	5-11
900 44 011	5-27
900 44 025	5-25, 5-27, 5-35, 5-37
900 44 046	3-91, 5-29
900 44 089	3-27, 3-29, 3-33, 3-37, 3-55, 3-75, 3-93, 3-97, 3-99
900 44 109	3-121
900 44 111	3-121
900 44 162	3-3, 3-10, 3-14, 3-17, 3-27, 3-53, 3-57, 3-59, 3-61, 3-63, 3-77, 3-79, 3-95, 3-97, 3-117, 5-41, 5-43, 5-45, 5-47, 5-49
900 44 164	3-121
900 44 174	5-25, 5-27
900 44 203	3-120
900 44 236	4-19
900 44 625	3-71, 3-81, 3-83, 3-85, 3-87, 3-101, 3-103, 3-105, 3-107, 3-109, 3-111
900 44 626	3-55, 3-59, 3-69, 3-71, 3-73, 3-81, 3-83, 3-85, 3-87, 3-91
900 44 642	3-27, 3-29, 3-33, 3-37, 3-53, 3-55, 3-57, 3-59, 3-61, 3-75, 3-97, 3-99, 3-113, 5-41, 5-45, 5-47

PART NUMBER	PAGE NO.
900 44 794	3-97, 3-99, 3-117
900 44 868	3-21, 3-89, 3-91
900 44 871	5-31
900 44 874	5-11, 5-31
900 44 877	5-31
900 44 882	5-31
900 44 883	5-31
900 44 884	5-31
900 44 887	5-11, 5-31
900 44 907	5-31
900 44 949	3-89
900 44 972	5-31
900 44 977	3-115
900 44 978	3-115
900 44 979	3-115
900 45 017	5-31
900 45 031	5-39
900 45 040	3-3, 3-10, 3-14, 3-17, 3-21, 3-31, 3-35, 3-39, 3-53, 3-55, 3-59, 3-97, 3-117
900 45 050	5-39
900 45 053	5-39
900 45 054	3-17, 3-41, 3-43, 3-53, 3-63, 3-75, 3-95, 3-97, 3-99
900 45 138	5-11
900 45 172	5-11
900 45 212	5-50
900 45 226	5-50
900 45 233	5-50, 5-51
900 45 298	3-3, 3-10, 3-14, 3-21, 3-53
900 45 299	3-10, 3-14, 3-31, 3-35, 3-39
900 45 301	3-17
900 45 302	3-17
900 45 303	3-17
900 45 305	3-17
900 45 306	3-17
900 45 307	3-17
900 45 337	3-45, 3-59, 3-65
900 45 338	3-41, 3-43
900 45 362	3-14
900 45 381	3-21, 3-29, 3-31, 3-35, 3-61, 3-63
900 45 385	5-50
900 45 443	5-13
900 45 444	3-65
900 45 456	5-13
900 45 471	3-65
900 45 491	3-3, 3-6, 3-21, 3-22, 3-24
900 45 605	5-17, 5-19, 5-22
900 45 616	5-17, 5-19
900 45 618	5-17, 5-19
900 45 620	5-17, 5-19
900 45 622	5-17, 5-19
900 54 811	3-17
900 54 814	3-17
900 57 092	3-17
901 01 103	4-25
904 20 439	3-123
905 01 037	5-41
905 01 083	3-121
905 01 084	3-121
905 01 181	3-101, 3-103
905 01 185	5-32
905 01 186	5-32
905 01 187	5-32
905 01 191	5-32
905 01 194	5-32
905 01 198	5-32
905 01 199	5-32
905 01 210	5-39



PART NUMBER	PAGE NO.
905 01 211	5-39
905 01 261	3-117
905 01 262	3-117
905 01 263	3-113
905 01 264	3-113
905 01 289	3-37, 3-39, 3-41, 3-43, 3-45, 3-75, 3-93, 3-95, 3-97, 3-99
905 01 290	3-37, 3-39, 3-41, 3-43, 3-45, 3-75, 3-93, 3-95, 3-97, 3-99
905 01 296	5-11
905 01 297	5-11
905 01 298	5-11
905 01 350	3-10, 3-14, 3-17
905 01 351	3-10, 3-14, 3-17
905 01 379	3-61, 3-65
905 01 380	3-61, 3-65
905 01 425	3-31, 3-35
905 01 426	3-31, 3-35
905 01 427	5-13
905 01 439	5-13
905 01 447	3-53, 3-55, 3-59
905 01 448	3-53, 3-55, 3-59
905 01 462	3-27, 3-29, 3-33
905 01 463	3-27, 3-29, 3-33
905 06 028	5-51, 5-52
905 08 001	3-69
905 08 004	3-69, 3-71, 3-73, 3-75, 3-77, 3-79, 3-81, 3-83, 3-85, 3-87, 3-89, 3-91, 3-93, 3-95, 3-97, 3-99, 3-101, 3-103, 3-105, 3-107, 3-111, 3-113, 3-115, 3-117, 5-25, 5-27, 5-29, 5-35, 5-37, 5-41, 5-43, 5-45, 5-47, 5-49
905 08 009	3-17, 3-75, 3-113, 3-117
905 08 012	5-3, 5-8
905 08 016	3-63
905 08 019	3-10, 3-14, 3-27, 3-29, 3-31, 3-33, 3-35, 3-37, 3-39, 3-47, 3-48, 3-49, 3-50, 3-53, 3-55, 3-59, 3-61, 3-67
905 08 175	5-8
905 08 198	3-50
905 10 061	5-41, 5-45, 5-47
905 10 062	5-41, 5-45, 5-47
905 10 063	5-41, 5-45, 5-47
905 10 064	5-41, 5-45, 5-47
905 10 093	3-118
905 10 100	5-43
905 10 101	5-43
905 10 102	5-43
905 10 103	5-43
905 10 112	5-49
905 10 113	5-49
905 15 009	3-69, 3-124
905 15 010	3-69, 3-124
905 15 011	3-124
905 15 012	3-124
905 15 021	3-71, 3-125
905 15 022	3-71, 3-125
905 15 026	3-71, 3-125
905 15 027	3-71, 3-125
905 15 131	3-79, 3-127
905 15 132	3-79, 3-127
905 15 133	3-124
905 15 134	3-124

PART NUMBER	PAGE NO.
905 15 141	3-79, 3-127
905 15 142	3-79, 3-127
905 15 147	3-124
905 15 148	3-124
905 15 217	3-127
905 15 218	3-127
905 15 602	3-128, 5-53
905 15 603	3-128, 5-53
905 15 610	3-73, 3-125
905 15 611	3-73, 3-125
905 15 624	3-81
905 15 625	3-81
905 15 637	3-105
905 15 638	3-105
905 15 667	3-81
905 15 668	3-81
905 15 720	3-105
905 15 721	3-105
905 15 773	5-29, 5-54
905 15 785	3-107
905 15 786	3-107
905 15 857	3-77, 3-85, 3-87, 3-126
905 15 858	3-77, 3-85, 3-87, 3-126
905 15 859	3-85, 3-126
905 15 860	3-85, 3-126
905 15 867	3-107
905 15 868	3-107
905 15 896	3-126
905 15 897	3-126
905 15 898	3-126
905 15 899	3-126
905 16 000	3-79, 3-127
905 16 001	3-79, 3-127
905 16 004	3-127
905 16 005	3-127
905 16 006	3-127
905 16 007	3-127
905 16 008	3-79, 3-127
905 16 009	3-79, 3-127
905 16 010	3-127
905 16 011	3-127
905 16 054	3-77, 3-126
905 16 055	3-77, 3-126
905 16 074	3-83
905 16 075	3-83
905 16 078	3-83
905 16 079	3-83
905 16 092	3-109
905 16 093	3-109
905 16 096	3-109
905 16 097	3-109
905 16 102	3-111
905 16 103	3-111
905 16 106	3-111
905 16 107	3-111
905 16 112	3-93
905 16 113	3-93
905 16 151	5-25, 5-54
905 16 177	5-54
905 16 181	5-54
905 16 195	3-85, 3-126
905 16 196	3-85, 3-126
905 16 197	3-128, 5-49, 5-53
905 16 198	3-128, 5-49, 5-53
905 16 225	3-101
905 16 226	3-101
905 16 275	3-103
905 16 286	5-35, 5-37, 5-55
905 16 288	5-54
905 16 293	5-39, 5-55

PART NUMBER	PAGE NO.
905 16 295	3-101
905 16 335	3-128, 5-45, 5-47, 5-53
905 16 336	3-128, 5-45, 5-47, 5-53
905 16 337	3-128, 5-45, 5-47, 5-53
905 16 338	3-128, 5-45, 5-47, 5-53
905 16 341	3-128, 5-45, 5-47, 5-53
905 16 342	3-128, 5-45, 5-47, 5-53
905 16 343	3-128, 5-41, 5-43, 5-53
905 16 344	3-128, 5-41, 5-43, 5-53
905 16 345	3-128, 5-41, 5-53
905 16 346	3-128, 5-41, 5-53
905 16 349	3-128, 5-41, 5-53
905 16 350	3-128, 5-41, 5-53
905 16 352	5-35, 5-55
905 16 369	5-54
905 16 376	3-103
905 16 377	3-103
905 16 378	3-103
905 16 389	5-56
905 16 390	5-56
905 16 391	5-56
905 16 392	5-56
905 16 446	3-89
905 16 447	3-91, 3-126
905 16 448	3-91, 3-126
905 16 449	3-91, 3-126
905 16 450	3-126
905 16 468	5-35, 5-55
905 16 482	3-99
905 16 483	3-99
905 16 488	5-54
905 16 500	3-95, 3-97
905 16 501	3-95, 3-97
905 16 542	3-115, 3-117
905 16 543	3-115, 3-117
905 16 552	3-53, 3-55, 3-59, 3-113
905 16 553	3-53, 3-55, 3-59, 3-113
905 16 566	3-27
905 16 567	3-27
905 16 579	3-57
905 16 580	3-57
905 16 585	5-11
905 16 587	3-37, 3-39, 3-75
905 16 588	3-37, 3-39, 3-75
905 16 654	3-27
905 16 655	3-27
905 16 658	4-55
905 16 696	5-50
905 16 816	3-17
905 16 817	3-17
905 16 873	3-61, 3-65
905 16 874	3-61
905 16 884	3-63
905 16 885	3-63
905 16 892	3-63
905 16 893	3-63
905 16 945	3-10
905 16 946	3-10
905 16 949	3-41, 3-43, 3-45
905 16 950	3-41, 3-43, 3-45
905 16 991	3-14
905 16 992	3-14
905 16 999	3-29, 3-31, 3-33, 3-35
905 17 000	3-29, 3-31, 3-33, 3-35
905 17 034	3-65
905 17 035	3-65
905 18 008	3-69, 3-71, 3-73
905 18 009	3-69
905 18 011	3-69, 3-71, 3-73
905 18 027	3-71

Part Number Index



SAF-HOLLAND Group

PART NUMBER	PAGE NO.
905 18 036	3-119
905 18 038	3-120
905 18 065	3-79
905 18 078	3-79
905 18 081	3-79
905 18 201	3-121
905 18 301	3-69
905 18 319	5-41, 5-45, 5-47
905 18 320	5-41, 5-45, 5-47
905 18 321	5-41, 5-45, 5-47
905 18 322	5-41, 5-45, 5-47
905 18 335	5-27
905 18 336	5-27
905 18 367	3-120
905 18 427	3-109, 3-111
905 18 457	5-41
905 18 458	5-41
905 18 461	5-41, 5-49
905 18 462	5-41, 5-49
905 18 527	3-109
905 18 714	3-80, 3-101, 3-103, 3-122
905 18 716	3-80
905 18 719	3-80, 3-101, 3-103
905 18 720	3-80, 3-101, 3-103
905 18 721	3-80
905 18 722	3-80
905 18 723	3-81
905 18 726	3-81, 3-101, 3-105, 3-107
905 18 727	3-81, 3-101, 3-105, 3-107
905 18 728	3-81
905 18 747	3-120
905 18 748	3-120
905 18 751	3-81
905 18 752	3-81
905 18 753	3-81, 3-101, 3-105, 3-107
905 18 754	3-81, 3-101, 3-105, 3-107
905 19 009	3-77, 3-79
905 19 040	3-55, 3-57, 3-59, 3-63, 3-79, 3-85, 3-113
905 19 070	4-55
905 19 240	5-27
905 19 311	5-29
905 19 377	3-122
905 19 425	3-77, 3-85, 3-87, 3-91
905 19 609	4-53
905 19 610	4-53
905 19 692	3-83, 3-122
905 19 694	3-83
905 19 696	3-83, 3-122
905 19 700	3-83, 3-122
905 19 703	3-83
905 19 704	3-83, 3-122
905 19 705	3-83
905 19 710	3-55, 3-57, 3-59, 3-75, 3-93, 3-95, 3-97, 3-99, 3-113, 3-122, 3-123
905 19 712	3-57, 3-93, 3-95, 3-113, 3-122
905 19 714	3-77, 3-85, 3-91, 3-122
905 19 716	3-87, 3-122
905 19 718	3-122
905 19 730	3-119
905 19 733	5-25
905 19 749	3-83, 3-111
905 19 773	3-75, 3-93, 3-95, 3-97, 3-99, 3-113
905 19 808	3-121
905 19 809	3-85
905 19 810	3-85
905 19 811	5-49

PART NUMBER	PAGE NO.
905 19 812	5-49
905 19 984	3-122
905 19 985	3-104, 3-106, 3-108, 3-110, 3-122
905 19 986	3-104, 3-106, 3-108, 3-110, 3-122
905 19 987	3-104, 3-106, 3-108, 3-110, 3-122
905 19 993	5-45, 5-47
905 19 994	5-45, 5-47
905 19 995	5-45, 5-47
905 19 996	5-45, 5-47
905 20 151	3-77, 3-85, 3-91
905 20 152	3-77
905 20 153	3-77, 3-122
905 20 156	5-39
905 20 157	5-39
905 20 166	5-39
905 20 188	3-87
905 20 189	3-77
905 20 219	3-95, 3-122, 3-123
905 20 226	5-39
905 20 227	5-39
905 20 235	3-93, 3-95, 3-97, 3-99
905 20 245	5-31
905 20 246	5-31
905 20 258	5-39
905 20 276	3-55, 3-57, 3-89, 3-91
905 20 338	3-115, 3-123
905 20 340	3-115, 3-123
905 20 346	3-55, 3-57, 3-97, 3-99, 3-113, 3-122, 3-123
905 20 351	3-91, 3-122
905 20 352	3-91
905 20 363	3-115, 3-123
905 20 367	3-115, 3-123
905 20 383	3-41, 3-43, 3-50, 3-75, 3-97, 3-122
905 20 385	3-97, 3-122, 3-123
905 20 395	3-122, 3-123
905 20 404	5-39
905 20 405	5-39
905 20 406	5-39
905 20 438	3-123
905 20 439	3-123
905 20 440	3-123
905 20 441	3-123
905 20 464	3-117
905 20 465	3-117
905 20 468	3-117
905 20 473	3-117
905 20 561	3-117, 3-123
905 20 568	3-117, 3-123
905 20 636	3-75, 3-113
905 20 637	3-113
905 20 638	3-113
905 20 642	3-113
905 20 672	5-50
905 20 673	5-50
905 20 828	3-57, 3-75, 3-122, 3-123
905 20 830	4-55
905 20 831	3-113
905 20 834	3-122
905 20 839	3-75
905 20 843	3-117, 3-123
905 20 846	3-26, 3-27, 3-29, 3-117, 3-123
905 20 856	3-117, 3-123
905 20 857	3-117, 3-123
905 20 858	3-117, 3-123

PART NUMBER	PAGE NO.
905 20 859	3-29, 3-49, 3-117, 3-123
905 21 006	3-53
905 21 045	3-53
905 21 047	3-59
905 21 051	3-59
905 21 059	3-53
905 21 124	3-53
905 21 141	3-27, 3-29, 3-33
905 21 142	3-27, 3-29, 3-33
905 21 143	3-27, 3-29, 3-33
905 21 144	3-39, 3-41, 3-43, 3-45, 3-50
905 21 145	3-37, 3-39, 3-41, 3-43, 3-45, 3-50
905 21 146	3-37, 3-39, 3-41, 3-43, 3-45, 3-50
905 21 147	3-26, 3-27, 3-29, 3-33, 3-49
905 21 148	3-26, 3-27, 3-29, 3-33, 3-49
905 21 149	3-26, 3-27, 3-29, 3-33, 3-49, 3-55
905 21 150	3-39
905 21 151	3-37, 3-39, 3-50
905 21 152	3-37, 3-39, 3-50
905 21 158	3-53
905 21 159	3-53
905 21 162	3-53
905 21 295	3-61, 3-65
905 21 296	3-61
905 21 297	3-61
905 21 298	3-61
905 21 325	3-31, 3-35, 3-49
905 21 326	3-31, 3-35, 3-49
905 21 327	3-31, 3-35, 3-49
905 21 328	3-31, 3-35, 3-49
905 21 331	3-31, 3-35
905 21 377	3-31, 3-35, 3-49
905 21 378	3-31, 3-35, 3-49
905 21 379	3-31, 3-35
905 21 384	3-61
905 21 385	3-61
905 21 386	3-61
905 21 387	3-61
905 21 388	3-61, 3-65
905 21 389	3-61
905 21 390	3-61, 3-65
905 21 391	3-61
905 21 406	3-53
905 21 414	3-53
905 21 486	3-53
905 21 488	3-53
905 21 540	3-55, 3-59
905 21 541	3-53, 3-55, 3-59
905 21 542	3-53, 3-59
905 21 543	3-53
905 21 544	3-53
905 21 546	3-55, 3-59
905 21 547	3-53, 3-55, 3-59
905 21 548	3-53, 3-59
905 21 550	3-53
905 21 552	3-53
905 21 553	3-53
905 21 558	3-53
905 21 561	3-55
905 21 564	3-55
905 21 624	5-51, 5-52
905 21 655	3-65
905 21 656	3-65
905 21 696	3-65
905 21 742	3-6
905 21 743	3-7
905 21 823	3-22



PART NUMBER	PAGE NO.
905 21 824	3-22
905 21 825	3-22
905 21 826	3-23
905 21 827	3-23
905 21 828	3-23
905 22 271	5-17, 5-19
905 22 272	5-17, 5-19
905 22 289	5-17, 5-19
905 24 664	3-109
905 31 001	5-3, 5-4, 5-19, 5-27, 5-35, 5-37
905 31 040	3-109, 3-111, 5-45, 5-47
905 31 136	5-39
905 31 245	3-27
905 31 246	3-27
905 31 262	3-37
905 31 263	3-37
905 31 273	5-50, 5-51
905 31 306	3-41
905 31 307	3-41
905 31 316	3-41, 3-43
905 31 317	3-41, 3-43
905 31 320	3-29
905 31 321	3-29
905 31 322	3-33
905 31 323	3-33
905 31 326	3-41
905 31 327	3-41
905 31 328	3-43
905 31 329	3-43
905 31 330	3-39
905 31 331	3-39
905 31 339	3-3, 3-6, 3-21, 3-22, 3-24
905 36 006	5-2, 5-3, 5-4, 5-7
905 36 009	5-4
905 38 007	3-81, 3-101, 3-105, 3-107
905 38 008	3-81, 3-101, 3-105, 3-107
905 38 019	3-63
905 38 020	3-62, 3-63
905 44 079	5-27
905 44 112	5-27
905 44 204	3-119
905 44 241	5-41, 5-45, 5-47
905 44 242	5-41, 5-45, 5-47
905 44 243	5-41, 5-45, 5-47
905 44 244	5-41, 5-45, 5-47
905 44 245	5-41, 5-45, 5-47
905 44 246	5-41, 5-45, 5-47
905 44 247	5-41, 5-45, 5-47
905 44 248	5-41, 5-45, 5-47
905 44 491	5-29
905 44 573	3-77, 3-79
905 44 615	3-77
905 44 617	5-35, 5-37
905 44 755	5-25
905 44 830	3-39, 3-45
905 44 831	3-39, 3-45
905 44 876	5-39
905 45 076	3-89
905 45 368	5-11
905 45 675	3-63
905 45 761	5-50
905 46 057	3-53, 3-55, 3-59
905 46 058	3-53, 3-55, 3-59
905 46 122	3-17
905 46 132	3-17
905 46 134	3-17
905 46 136	3-17
905 46 138	3-17
905 46 155	3-17

PART NUMBER	PAGE NO.
905 46 157	3-17
905 46 158	3-17
905 46 160	3-17
905 46 161	3-17
905 46 163	3-17
905 46 164	3-17
905 46 166	3-17
905 46 177	3-17
905 46 178	3-17
905 46 205	3-17
905 46 207	3-17
905 46 208	3-17
905 46 210	3-17
905 46 211	3-17
905 46 213	3-17
905 46 214	3-17
905 46 216	3-17
905 46 269	3-17
905 46 270	3-17
905 46 673	3-63
905 46 674	3-63
905 46 676	3-63
905 46 795	3-61, 3-65
905 46 796	3-61
905 47 733	5-13
905 47 800	5-13
905 47 801	5-13
905 47 813	5-13
905 47 853	3-65
905 47 854	3-65
905 47 903	5-51
905 48 007	3-3, 3-6, 3-21, 3-22, 3-24
905 48 008	3-7
905 48 009	3-7
905 48 900	5-17, 5-19
905 57 001	3-121
905 57 009	3-69, 3-71, 3-87, 5-41, 5-45, 5-47
905 57 014	3-119, 3-120
905 57 023	3-77, 3-79
905 57 027	3-69, 3-71, 3-73, 5-27, 5-35, 5-41, 5-43, 5-45, 5-47, 5-49
905 57 031	5-25, 5-35
905 57 070	5-29
905 57 077	3-69, 3-71, 3-81, 3-83, 3-101, 3-103, 3-105, 3-107, 3-109, 3-111
905 57 078	3-69, 3-71, 3-73, 3-81, 3-83, 3-85, 3-91
905 57 098	5-39
905 57 101	5-35
905 57 110	5-35, 5-37
905 57 111	3-45, 3-65, 3-89
905 57 112	3-57, 3-59, 3-93, 3-113
905 57 113	3-85, 3-95
905 57 117	3-29, 3-31, 3-53, 3-55, 3-57, 3-59, 3-97, 3-99, 3-113
905 57 118	3-29, 3-31, 3-53, 3-55, 3-97, 3-99
905 57 119	3-29, 3-53, 3-55, 3-97, 3-99
905 57 120	3-115, 3-117
905 57 121	3-115, 3-117
905 57 123	5-31
905 57 124	3-53, 3-59, 3-95
905 57 125	3-91
905 57 126	3-57, 3-59, 3-87, 3-113
905 57 127	3-115
905 57 129	3-77

PART NUMBER	PAGE NO.
905 57 130	3-95
905 57 131	3-95
905 57 139	3-115, 3-117
905 57 146	5-11
905 57 156	3-26, 3-27, 3-33, 3-35
905 57 157	3-26, 3-27, 3-33, 3-35
905 57 161	5-11
905 57 166	5-11
905 57 167	3-37, 3-39, 3-75
905 57 168	3-37, 3-75
905 57 173	3-117
905 57 185	3-41, 3-65
905 57 194	3-10, 3-17
905 57 208	5-11
905 57 223	3-10, 3-17, 3-26, 3-27, 3-29
905 57 225	3-10, 3-17
905 57 235	3-61, 3-63
905 57 243	3-61, 3-63
905 57 259	3-41
905 57 260	3-41
905 57 271	3-14
905 57 272	3-14
905 57 273	3-14
905 57 283	3-43
905 57 290	5-13
905 57 330	3-21
905 57 331	3-21
905 57 332	3-21
905 57 368	5-17, 5-19, 5-21
905 57 392	5-21
905 57 395	5-17, 5-19, 5-21
905 57 736	5-13
905 60 121	3-3
905 60 122	3-3
905 60 123	3-3
910 01 002	4-49
910 01 021	4-39
910 01 022	4-19, 4-31
910 01 034	4-43, 4-45
910 01 038	4-21, 4-25, 4-35, 4-37, 4-39, 4-41
910 01 040	4-45, 4-47
910 01 044	4-19, 4-29, 4-31
910 01 047	4-19, 4-29, 4-31
910 01 049	4-19, 4-22, 4-29, 4-31
910 01 050	4-21, 4-25, 4-37, 4-39, 4-41
910 01 051	4-19, 4-21, 4-29, 4-31, 4-35, 4-37
910 01 054	4-19, 4-21, 4-25, 4-27, 4-29, 4-35, 4-37, 4-39, 4-41
910 01 055	4-19, 4-21, 4-29, 4-31, 4-35, 4-37, 4-39, 4-41
910 01 056	4-19, 4-21, 4-29, 4-31, 4-35, 4-37, 4-39, 4-41
910 01 058	4-19, 4-21, 4-29, 4-31, 4-35, 4-37, 4-39, 4-41
910 01 066	4-50
910 01 073	4-13, 4-15
910 01 075	4-13, 4-15, 4-51
910 01 080	4-49
910 01 084	4-33
910 01 086	4-33
910 01 087	4-33
910 01 088	4-50
910 01 089	4-13, 4-15, 4-51
910 01 094	4-49
910 01 103	4-27
910 01 120	4-13, 4-15, 4-49
910 01 181	4-21, 4-25, 4-37
910 01 182	4-21, 4-25, 4-37

Part Number Index



SAF-HOLLAND Group

PART NUMBER	PAGE NO.
910 01 188	4-21, 4-25, 4-37
910 01 214	4-53
910 08 007	4-43, 4-45, 4-47, 4-51
910 08 014	4-44, 4-47
910 08 022	4-19, 4-21, 4-23, 4-25, 4-27, 4-29, 4-31, 4-35, 4-37, 4-39, 4-41
910 08 024	4-49
910 08 036	4-33
910 08 112	4-13, 4-15, 4-16, 4-49
910 10 020	4-49
910 10 021	4-19, 4-21, 4-29, 4-35, 4-37, 4-41
910 10 031	4-45, 4-47
910 10 032	4-27
910 10 033	4-35, 4-39, 4-41
910 10 034	4-35, 4-39, 4-41
910 10 038	4-29, 4-31
910 10 041	4-21, 4-25, 4-35, 4-37, 4-39, 4-41
910 10 043	4-19, 4-29
910 10 047	4-19, 4-21, 4-29, 4-31, 4-35, 4-37, 4-39, 4-41
910 10 058	4-49
910 10 059	4-13, 4-15, 4-49
910 10 060	4-13, 4-15, 4-51
910 10 061	4-49
910 10 062	4-49
910 10 063	4-49
910 10 065	4-33
910 10 066	4-33
910 10 089	4-25, 4-27
910 10 093	4-13, 4-15
910 10 098	4-44, 4-47
910 10 103	4-43, 4-45, 4-47
910 10 108	4-13, 4-15, 4-51
910 10 113	4-33
910 10 130	4-21, 4-25, 4-37
910 10 145	4-27
910 10 157	4-13, 4-15, 4-51
910 10 158	4-33
910 15 015	4-13, 4-15, 4-49, 4-50
910 15 025	4-27
910 18 000	4-43
910 18 002	4-43, 4-45
910 18 003	4-45
910 18 004	4-43, 4-45
910 18 005	4-47, 4-51
910 18 006	4-47
910 18 008	4-19, 4-21, 4-29, 4-31, 4-35, 4-37
910 18 027	4-33
910 18 036	4-43, 4-45
910 18 039	4-13, 4-15
910 23 001	4-45, 4-47
910 23 002	4-45, 4-47
910 23 003	4-45, 4-47
910 23 004	4-45, 4-47
910 23 005	4-45, 4-47
910 23 006	4-45
910 23 007	4-45, 4-47
910 23 008	4-47
910 23 009	4-47
910 23 026	4-39
910 23 027	4-39, 4-41
910 23 028	4-39, 4-41
910 23 029	4-41
910 23 030	4-41
910 23 056	4-25
910 23 057	4-19, 4-29, 4-31, 4-35, 4-37

PART NUMBER	PAGE NO.
910 23 307	4-45
910 28 010	4-45, 4-47
910 28 023	4-45, 4-47
910 28 028	4-45
910 28 039	4-49
910 28 040	4-49
910 28 051	4-13, 4-15, 4-16, 4-49, 4-51
910 28 053	4-13, 4-16, 4-49
910 28 057	4-33
910 28 075	4-49, 4-51
910 28 089	4-13, 4-15, 4-16, 4-29, 4-35, 4-39, 4-49, 4-51
910 28 152	4-19, 4-21, 4-22, 4-29, 4-31, 4-35, 4-37, 4-39, 4-41
910 28 153	4-25, 4-27
910 31 054	4-49
910 31 055	4-33
910 31 058	4-27
910 31 570	4-19
910 31 571	4-21, 4-37
910 31 576	4-21, 4-37
910 31 659	4-53, 4-55
910 31 663	4-55
910 36 001	4-16, 4-49
910 36 007	4-27
910 36 008	4-25
910 36 010	4-49
910 36 078	4-13, 4-15, 4-49, 4-51
910 36 092	4-45
910 36 100	4-43, 4-47
910 38 001	4-39, 4-41
910 38 003	4-25, 4-29, 4-35, 4-37, 4-39, 4-41
910 38 004	4-19, 4-21, 4-25, 4-27, 4-29, 4-31, 4-35, 4-37, 4-39, 4-41
910 38 091	4-47
910 38 210	4-45, 4-47
910 38 290	4-13, 4-15, 4-49, 4-50
910 38 418	4-33
910 38 475	4-13, 4-15
910 44 101	4-53, 4-55
910 44 102	4-53
910 58 580	4-53, 4-55
915 01 008	4-27
915 01 011	4-13, 4-15
915 01 035	4-39
915 01 036	4-39, 4-41
915 01 037	4-39, 4-41
915 01 038	4-41
915 01 039	4-41
915 01 044	4-27
915 01 063	4-19
915 01 065	4-53
915 01 066	4-53
915 01 067	4-53
915 06 002	4-47
915 06 003	4-51
915 15 001	4-44
915 15 002	4-47
915 15 011	4-13, 4-15, 4-49
915 15 108	4-25
915 15 123	4-15
915 15 137	4-53
915 15 142	4-53
915 18 005	4-45
915 18 006	4-45
915 18 007	4-45
915 18 013	4-47
915 18 014	4-47

PART NUMBER	PAGE NO.
915 18 015	4-47
915 18 016	4-47
915 18 040	4-13, 4-15
915 18 041	4-13, 4-15
915 18 050	4-43
915 18 051	4-43
915 18 052	4-43
915 18 053	4-43
915 18 076	4-45
915 44 001	4-43, 4-45
915 44 002	4-43, 4-45, 4-47, 4-51
915 44 003	4-43, 4-45, 4-47, 4-51
915 44 137	4-13, 4-15
915 44 138	4-13, 4-15
915 44 147	4-13, 4-15
915 44 167	4-15
915 44 183	4-53, 4-55
915 57 016	4-35, 4-39
915 57 017	4-35, 4-39
915 57 018	4-35, 4-41
915 57 019	4-35, 4-41
915 57 020	4-41
915 57 021	4-41
915 57 100	4-25
915 57 122	4-27
915 57 136	4-25
915 57 152	4-43, 4-44
915 57 153	4-43, 4-44
915 57 154	4-44
915 57 172	4-13, 4-49, 4-50
915 57 175	4-50
915 57 200	4-47
915 57 244	4-33
915 57 245	4-33
915 57 270	4-33
915 57 271	4-37
915 57 272	4-37
915 57 273	4-19, 4-21
915 57 277	4-19, 4-21
915 57 288	4-15
915 57 293	4-19, 4-21
930 00 031	3-121
930 02 353	5-31
930 02 571	3-43, 3-61, 3-63
930 02 811	4-39, 4-41
930 02 893	3-41, 3-43, 3-45, 3-65, 3-69, 3-71, 3-73, 3-81, 3-83, 3-85, 3-89, 3-91, 3-95, 3-101, 3-105, 3-107, 3-109, 5-3, 5-4, 5-25, 5-27, 5-35, 5-37, 5-39, 5-41, 5-43, 5-45, 5-47, 5-49
930 02 901	5-50
930 02 905	3-103, 3-111
930 02 907	3-17
930 02 921	4-43, 4-45, 4-47, 4-51
930 02 961	5-4
930 03 003	4-43
930 03 003	4-45, 4-47
930 03 039	3-87
930 03 345	4-13, 4-19, 4-21, 4-22, 4-25, 4-27, 4-29, 4-31, 4-35, 4-37, 4-39, 4-41, 4-51
930 03 347	4-15, 5-51, 5-52
930 03 359	4-19, 4-22
930 03 365	4-19, 5-51, 5-52
930 03 377	5-51, 5-52
930 03 387	4-13, 4-15, 4-16
930 03 389	3-71, 3-73
930 03 395	3-69



PART NUMBER	PAGE NO.
930 03 465	4-25
930 03 575	3-89, 4-21, 4-25, 4-27, 4-35, 4-37, 4-39, 4-41, 4-45, 4-47, 4-49, 4-51, 5-51, 5-52
930 03 579	4-13, 4-16
930 03 585	4-15, 4-16, 4-33, 4-49, 5-50
930 03 591	5-2, 5-3
930 03 593	5-51
930 03 597	3-10, 3-14, 3-17, 3-27, 3-29, 3-31, 3-33, 3-35, 3-37, 3-39, 3-41, 3-43, 3-45, 3-53, 3-55, 3-57, 3-59, 3-61, 3-63, 3-65, 3-69, 3-71, 3-75, 3-77, 3-83, 3-85, 3-87, 3-89, 3-91, 3-93, 3-95, 3-97, 3-99, 3-103, 3-109, 3-111, 3-113, 3-115, 3-117, 4-53, 4-55, 5-17, 5-19, 5-22, 5-25, 5-27, 5-29, 5-35, 5-37, 5-39, 5-41, 5-43, 5-45, 5-47, 5-49
930 03 599	3-79, 5-13
930 03 603	3-81, 3-101, 3-105, 3-107, 5-4, 5-11, 5-31, 5-50
930 03 605	5-51
930 03 609	3-27, 3-29, 3-31, 3-33, 3-35, 3-37, 3-39, 3-41, 3-43, 3-45, 3-53, 3-55, 3-59, 3-61, 3-63, 3-65, 3-75, 3-77, 3-85, 3-87, 3-93, 3-95, 3-97, 3-99, 3-113, 3-117
930 03 615	5-2, 5-3
930 03 617	5-51
930 03 621	4-13, 4-15, 4-19, 4-21, 4-25, 4-29, 4-31, 4-35, 4-37, 4-39, 4-41
930 03 627	5-17, 5-19, 5-22
930 03 629	5-51
930 03 633	3-10, 3-14, 3-17, 3-69, 3-71, 3-73, 3-85, 4-27, 5-31
930 03 635	4-51, 5-50
930 03 645	5-4, 5-41, 5-43, 5-45, 5-47
930 03 647	5-51
930 03 657	3-119, 3-120, 4-15, 4-49, 4-51
930 03 669	5-17, 5-19, 5-22
930 03 681	5-25, 5-27
930 03 693	5-2, 5-3, 5-8, 5-27, 5-35, 5-37, 5-39
930 03 705	5-4, 5-8
930 03 831	5-11, 5-31, 5-50
930 03 833	5-13
930 03 845	5-15
930 03 905	5-11, 5-31
930 03 941	4-13, 4-15, 4-16, 4-49, 4-51
930 04 239	4-13, 4-16, 4-49, 4-51
930 04 241	4-15
930 04 251	4-13, 4-16, 4-49
930 04 253	4-15
930 04 277	5-17, 5-19, 5-20
930 04 301	5-2, 5-3, 5-8, 5-17, 5-19, 5-20
930 04 313	5-51
930 04 323	4-27
930 04 517	5-13, 5-14, 5-15
930 04 529	5-11
930 04 553	5-11

PART NUMBER	PAGE NO.
930 06 035	3-3, 3-21
930 06 037	5-17, 5-19, 5-20
932 00 047	4-43, 4-45
932 00 132	5-27
932 00 754	3-69
932 00 993	5-43
932 01 030	5-27
932 01 045	3-79, 4-53
932 01 049	5-29
932 01 051	3-10, 3-14, 3-17, 3-27, 3-29, 3-31, 3-33, 3-35, 3-37, 3-39, 3-41, 3-43, 3-45, 3-47, 3-48, 3-53, 3-55, 3-57, 3-58, 3-59, 3-61, 3-63, 3-65, 3-67, 3-75, 3-93, 3-95, 3-97, 3-99, 3-113, 3-115, 3-117, 4-13, 4-15, 4-16, 4-55
932 01 053	3-89
932 01 055	3-27, 3-29, 3-47, 3-48, 3-53, 3-55, 3-57, 3-58, 3-59, 3-61, 3-65, 3-67, 3-75, 3-77, 3-81, 3-83, 3-85, 3-87, 3-91, 3-93, 3-95, 3-97, 3-99, 3-101, 3-103, 3-105, 3-107, 3-109, 3-111, 3-113, 3-115, 3-117, 4-55, 5-2, 5-3, 5-7, 5-25, 5-27, 5-35, 5-37, 5-39, 5-41, 5-45, 5-47, 5-49
932 01 064	3-63
932 01 068	5-4, 5-7
932 01 069	3-27, 3-29, 3-31, 3-33, 3-35, 3-37, 3-39, 3-41, 3-43, 3-45, 3-47, 3-48, 3-50, 3-53, 3-59, 3-65, 3-67
932 01 070	3-3, 3-6, 3-7, 3-21, 3-22, 3-23, 3-24
934 00 036	4-43, 4-45, 4-47, 4-51
934 00 060	5-31
934 00 136	3-3, 3-6, 3-10, 3-14, 3-17, 3-21, 3-22, 3-24, 3-27, 3-29, 3-31, 3-33, 3-35, 3-37, 3-39, 3-41, 3-45, 3-53, 3-55, 3-57, 3-59, 3-61, 3-63, 3-65, 3-69, 3-71, 3-73, 3-75, 3-77, 3-79, 3-81, 3-83, 3-85, 3-87, 3-89, 3-91, 3-93, 3-95, 3-97, 3-99, 3-101, 3-103, 3-105, 3-107, 3-109, 3-111, 3-113, 3-115, 3-117, 3-119, 3-120, 3-121, 5-2, 5-3, 5-4, 5-11, 5-13, 5-25, 5-27, 5-29, 5-35, 5-37, 5-39, 5-41, 5-43, 5-45, 5-47, 5-49, 5-50, 5-51
934 00 149	3-3, 3-10, 3-14, 3-17, 3-21, 3-27, 3-29, 3-31, 3-33, 3-35, 3-37, 3-39, 3-41, 3-43, 3-45, 3-53, 3-55, 3-57, 3-59, 3-61, 3-63, 3-65, 3-69, 3-71, 3-73, 3-75, 3-77, 3-79, 3-81, 3-83, 3-85, 3-87, 3-89, 3-91, 3-93, 3-95, 3-97, 3-99, 3-101, 3-103, 3-105, 3-107, 3-109, 3-111, 3-113, 3-115, 3-117, 4-49, 5-29, 5-31, 5-41, 5-43, 5-45,

PART NUMBER	PAGE NO.
934 00 149	5-47, 5-49
934 00 156	5-22
934 00 284	4-43, 4-45, 4-47, 4-51
934 00 367	3-10, 3-14, 3-17, 3-27, 3-29, 3-33, 3-37, 3-39, 3-41, 3-43, 3-45, 3-53, 3-55, 3-59, 3-61, 3-63, 3-65, 3-75, 3-77, 3-79, 3-81, 3-83, 3-85, 3-87, 3-91, 3-93, 3-95, 3-97, 3-99, 3-101, 3-103, 3-105, 3-107, 3-109, 3-111, 3-113, 3-117
934 00 417	5-3, 5-4, 5-25, 5-27, 5-35, 5-37, 5-39, 5-50, 5-51
934 00 472	3-17
934 00 476	4-39, 4-41
934 00 480	3-17
934 00 482	4-43, 4-45, 4-47, 4-51, 5-17, 5-19, 5-21
934 00 488	4-13, 4-16, 4-25, 4-27, 4-39, 4-41, 4-49, 4-51
934 00 490	3-69, 3-71, 3-73, 3-121, 4-15, 4-19, 4-21, 4-22, 4-29, 4-31, 4-35, 4-37, 5-51, 5-52
934 00 492	3-3, 3-10, 3-14, 3-17, 3-21, 3-27, 3-29, 3-31, 3-33, 3-35, 3-37, 3-39, 3-41, 3-43, 3-45, 3-53, 3-55, 3-57, 3-59, 3-61, 3-63, 3-65, 3-69, 3-71, 3-73, 3-75, 3-77, 3-79, 3-81, 3-83, 3-85, 3-87, 3-89, 3-91, 3-93, 3-95, 3-97, 3-99, 3-101, 3-103, 3-105, 3-107, 3-109, 3-111, 3-113, 3-115, 3-117, 3-119, 3-120, 4-13, 4-15, 4-16, 4-25, 4-27, 4-29, 4-31, 4-33, 4-35, 4-39, 4-41, 4-45, 4-47, 4-51, 4-53, 4-55, 5-2, 5-3, 5-4, 5-8, 5-11, 5-25, 5-27, 5-29, 5-31, 5-35, 5-37, 5-39, 5-41, 5-43, 5-45, 5-47, 5-49, 5-51
934 00 494	4-15, 4-16, 4-19, 4-21, 4-37, 4-49, 5-11, 5-13, 5-17, 5-19, 5-22, 5-50, 5-51, 5-52
934 00 495	5-17, 5-19, 5-21
934 00 496	3-69, 5-50
934 00 498	3-61, 3-63, 3-65, 4-13, 4-15, 4-16, 4-33, 4-43, 4-45, 4-47, 4-49, 4-51, 5-11, 5-13, 5-15, 5-31
934 00 500	3-115, 5-50, 5-52
934 00 502	3-71, 3-73, 3-77, 3-79, 3-81, 3-83, 3-85, 3-87, 3-89, 3-91, 3-101, 3-103, 3-105, 3-107, 3-109, 3-111, 3-118, 4-13, 4-15, 4-16, 4-21, 4-25, 4-27, 4-35, 4-37, 4-39, 4-41, 4-49, 4-51, 5-2, 5-3, 5-8, 5-17, 5-19, 5-20, 5-41, 5-43, 5-45, 5-47, 5-49, 5-51
934 00 506	3-3, 3-6, 3-7, 3-10, 3-14, 3-17, 3-21, 3-22, 3-23, 3-24, 3-27, 3-29, 3-31,

Part Number Index



SAF-HOLLAND Group

PART NUMBER	PAGE NO.
	3-33, 3-35, 3-37, 3-39, 3-41, 3-43, 3-45, 3-47, 3-48, 3-49, 3-50, 3-53, 3-55, 3-57, 3-58, 3-59, 3-61, 3-63, 3-65, 3-67, 3-75, 3-77, 3-79, 3-81, 3-83, 3-85, 3-87, 3-89, 3-91, 3-93, 3-95, 3-97, 3-99, 3-101, 3-103, 3-105, 3-107, 3-109, 3-111, 3-113, 3-115, 3-117, 4-13, 4-15, 4-16, 4-19, 4-21, 4-23, 4-25, 4-27, 4-29, 4-31, 4-35, 4-37, 4-39, 4-41, 4-53, 4-55, 5-2, 5-3, 5-7, 5-11, 5-13, 5-14, 5-15, 5-17, 5-19, 5-20, 5-25, 5-27, 5-29, 5-35, 5-37, 5-39, 5-41, 5-45, 5-47, 5-49
934 00 510	5-4, 5-7, 5-43
934 00 511	5-11, 5-25, 5-27
934 00 518	4-33
934 00 541	3-121
934 00 553	3-53, 3-79, 5-27, 5-39
934 00 569	4-43, 4-45, 4-47, 4-51
934 00 603	5-35, 5-37, 5-39
934 00 607	5-2, 5-3, 5-4, 5-7
934 00 623	3-3, 3-21
934 03 657	4-13
935 00 156	4-53
936 00 002	4-45, 4-47
936 00 003	4-45, 4-47
936 00 005	4-27, 4-49, 4-51, 5-41, 5-43, 5-45, 5-47, 5-49
936 00 028	3-71, 3-73, 5-43
936 00 029	4-53
936 00 030	4-27
936 00 035	3-69, 3-71, 3-73, 4-15
936 00 069	3-43
936 00 072	3-3, 3-6, 3-10, 3-14, 3-17, 3-27, 3-29, 3-31, 3-33, 3-35, 3-37, 3-39, 3-41, 3-43, 3-45, 3-53, 3-55, 3-57, 3-59, 3-61, 3-63, 3-65, 3-69, 3-71, 3-73, 3-75, 3-77, 3-79, 3-81, 3-83, 3-85, 3-87, 3-89, 3-91, 3-93, 3-95, 3-97, 3-99, 3-101, 3-103, 3-105, 3-107, 3-109, 3-111, 3-113, 3-115, 3-117, 3-119, 3-120, 3-121, 5-2, 5-3, 5-4, 5-11, 5-13, 5-17, 5-19, 5-21, 5-25, 5-27, 5-29, 5-35, 5-37, 5-39, 5-41, 5-43, 5-45, 5-47, 5-49, 5-50, 5-51
936 00 077	3-3, 3-10, 3-14, 3-17, 3-21, 3-27, 3-29, 3-31, 3-33, 3-35, 3-37, 3-39, 3-41, 3-43, 3-45, 3-53, 3-55, 3-57, 3-59, 3-61, 3-63, 3-65, 3-69, 3-71, 3-73, 3-75, 3-77, 3-79, 3-81, 3-83, 3-85, 3-87, 3-89, 3-91, 3-93, 3-95, 3-97, 3-99, 3-101, 3-103, 3-105, 3-107, 3-109, 3-111, 3-113, 3-115, 3-117, 5-31, 5-41, 5-43, 5-45, 5-47, 5-49
936 00 112	5-31

PART NUMBER	PAGE NO.
936 00 138	4-43, 4-45, 4-47
936 00 150	3-69, 3-71, 3-73, 4-16, 4-21, 4-22, 4-25, 4-27, 4-37, 4-39, 4-41, 5-51, 5-52
936 00 156	3-69, 3-71, 3-73, 3-81, 3-83, 3-89, 3-91, 3-101, 3-103, 3-105, 3-107, 3-109, 3-111, 4-13, 4-15, 4-16, 4-19, 4-21, 4-25, 4-29, 4-31, 4-33, 4-35, 4-37, 4-39, 4-41, 4-45, 4-47, 4-51, 5-2, 5-3, 5-4, 5-8, 5-17, 5-19, 5-21, 5-22, 5-25, 5-27, 5-29, 5-35, 5-37, 5-39, 5-50, 5-51, 5-52
936 00 157	5-31, 5-39
936 00 162	3-61, 3-63, 3-65, 3-69, 4-13, 4-15, 4-16, 4-33, 4-43, 4-45, 4-47, 4-49, 4-51, 5-31, 5-50
936 00 168	3-115, 4-35, 4-39, 4-41, 5-2, 5-3, 5-8, 5-17, 5-19, 5-20
936 00 174	3-63, 3-89, 4-13, 4-15, 4-16, 4-19, 4-21, 4-23, 4-25, 4-29, 4-31, 4-35, 4-37, 4-39, 4-41, 5-2, 5-3, 5-7, 5-11, 5-13, 5-14, 5-15, 5-17, 5-19, 5-20, 5-29
936 00 177	3-53, 3-55, 3-57
936 00 180	5-11, 5-25, 5-27
936 00 192	4-33
936 00 424	4-19, 4-22
936 00 493	5-29
936 00 495	5-27, 5-29
936 00 498	5-2, 5-4, 5-7, 5-35, 5-37, 5-39
936 00 502	5-2, 5-3, 5-7, 5-17, 5-19, 5-20, 5-35, 5-37, 5-39
936 00 515	3-61, 3-63
936 00 530	3-63
936 00 533	5-2, 5-3, 5-4, 5-7, 5-8
936 00 546	5-4, 5-7
936 00 553	3-3, 3-6, 3-7, 3-21, 3-22, 3-23, 3-24
936 00 561	5-17, 5-19, 5-20
938 00 001	3-121
938 00 065	5-27
938 00 235	5-35, 5-37, 5-39
939 00 009	4-43, 4-45, 4-47, 4-51
939 00 025	4-13, 4-15, 4-19, 4-29, 4-31, 4-35, 4-49, 4-51
939 00 027	3-77, 3-77, 3-79, 3-79, 3-81, 3-81, 3-83, 3-83, 3-85, 3-85, 3-87, 3-87, 3-89, 3-89, 3-91, 3-91, 3-101, 3-101, 3-103, 3-103, 3-105, 3-105, 3-107, 3-107, 3-109, 3-109, 3-111, 3-111, 3-118, 4-13, 4-13, 4-15, 4-15, 4-16, 4-16, 4-16, 4-21, 4-21, 4-25, 4-25, 4-27, 4-27, 4-37, 4-37, 4-49, 4-49, 4-51, 4-51, 5-41, 5-45, 5-47, 5-49
939 00 039	3-121
939 00 174	5-50, 5-52
939 00 178	3-69
939 00 212	5-31
939 00 213	5-31

PART NUMBER	PAGE NO.
939 00 214	5-31
941 00 509	3-47, 3-53, 3-55, 3-57, 3-58, 3-65
1040 2700	1-37
1040 2707	1-37
1060 2700	1-37
1080 2700	1-37
1100 2700	1-37
4000 171	1-11, 1-37, 1-38
4000 178	1-38
4000 272	1-37
4000 273	1-11, 1-37
4000 501	1-37, 1-38
4000 502	1-37, 1-38
4000 503	1-11, 1-37
4000 504	1-11, 1-37
4000 505	1-11, 1-37
4000 506	1-38
4000 507	1-11, 1-37
4000 508	1-37
4000 509	1-37
4000 510	1-37, 1-38
4000 511	1-37
4000 512	1-11
4000 523	1-11, 1-37
4000 528	1-11, 1-37
4000 529	1-11, 1-37
4000 530	1-38
4000 531	1-11, 1-37
4000 532	1-37, 1-38
4000 539	1-37, 1-38
4000 540	1-11, 1-37
4000 570	1-37
4000 572	1-37, 1-38
4000 574	1-11, 1-37
4000 576	1-37, 1-38
4000 578	1-37
4000 587	1-11, 1-37
4000 588	1-11, 1-37
4000 630	1-38
4000 640	1-11, 1-37
4000 641	1-11, 1-37
4000 644	1-11
4000 645	1-11
4000 646	1-11
4000 647	1-11
4000 648	1-11
4000 650	1-37, 1-38
4100 258	1-37, 1-38
4100 269	1-37, 1-38
4100 296	1-37, 1-38
4100 304	1-11
4100 332	1-37, 1-38
4100 342	1-37
4100 350	1-37
4100 357	1-37, 1-38
4100 382	1-11, 1-37
4100 386	1-37
4100 420	1-11, 1-37
4100 441	1-11
4100 448	1-11
4101 414	1-37
4101 424	1-37
4102 700	1-37
4102 707	1-37
4102 764	1-37
4102 846	1-38
4300 162	1-11
4300 165	1-11
4300 166	1-11



PART NUMBER	PAGE NO.
4300 167	1-11
4300 172	1-11
4300 173	1-11
4300 204	1-11
4300 205	1-11
4300 206	1-11
4300 209	1-11
4300 226	1-11
4300 227	1-11
4300 228	1-11
4300 298	1-11
4300 299	1-11
4300 300	1-11
4300 596	1-11
4300 597	1-11
4300 598	1-11
4300 610	1-11
7102 700	1-37
7202 700	1-38
7202 700A	1-38
7502 700	1-37
7602 700	1-38
7602 700A	1-38
9502 700	1-37
84261	1-7, 1-8, 1-9, 1-10, 1-28, 1-29, 1-30, 1-31, 1-32, 1-33, 1-34, 1-35, 1-36
84787	1-9, 1-10, 1-28, 1-29, 1-30, 1-31, 1-33, 1-34, 1-35, 1-36
130000	2-31, 2-94
130001	2-31, 2-96
130002	2-31, 2-90
130003	2-31, 2-88
130004	2-31, 2-86
160000	2-31
180000	2-31, 2-70
180010	2-31, 2-74
180016	2-31, 2-76
201205	2-35
716037	2-26, 2-27
716039	2-26, 2-27
724036	2-27
724037	2-27, 2-31
725001	2-27, 2-31
725002	2-27, 2-31
725003	2-27, 2-31
725046	2-27, 2-31, 2-35
727000	2-27, 2-31
728000	2-27
728003	2-9, 2-11, 2-27, 2-31, 2-35
729002	2-27, 2-31
729108	2-27, 2-31
730007	2-27, 2-31
730011	2-27, 2-88
730590	2-27, 2-85
730638	2-27, 2-31, 2-35
730639	2-9, 2-11
730640	2-27, 2-31, 2-35
741158	2-27, 2-35
750002	2-27, 2-35, 2-70, 2-72, 2-74, 2-76
750004	2-27, 2-31, 2-35, 2-62, 2-63, 2-64, 2-65, 2-66, 2-68
750009	2-27, 2-35, 2-90
750241	2-27, 2-74
750245	2-27, 2-76
750450	2-27, 2-31, 2-66
750452	2-27, 2-31, 2-67
751173	2-27, 2-31, 2-35, 2-92
751174	2-27, 2-35, 2-94

PART NUMBER	PAGE NO.
751175	2-27, 2-31, 2-35, 2-78, 2-82, 2-84
751198	2-27, 2-31, 2-82
751601	2-27
751612	2-27, 2-31
1200101	1-7, 1-8, 1-9, 1-10
1200706	1-7, 1-8, 1-9, 1-10, 1-28, 1-29, 1-30, 1-31, 1-32, 1-33, 1-34, 1-35, 1-36
4000154	1-34
4000223	1-31
4000250	1-29, 1-32, 1-33
4000263	1-35, 1-36
4000500	1-31
4000501	1-28, 1-29, 1-32, 1-33, 1-35, 1-36
4000502	1-28, 1-29, 1-32, 1-33, 1-34, 1-35, 1-36
4000503	1-28, 1-30, 1-31
4000504	1-9, 1-10, 1-28, 1-29, 1-33, 1-34
4000505	1-30, 1-31
4000506	1-35, 1-36
4000507	1-29
4000508	1-33
4000509	1-28
4000510	1-34, 1-35
4000511	1-30
4000512	1-28
4000513	1-31
4000519	1-36
4000523	1-28, 1-30, 1-31
4000528	1-9, 1-10, 1-28, 1-29, 1-32, 1-33, 1-34
4000529	1-30, 1-31
4000530	1-35, 1-36
4000531	1-9, 1-10, 1-29
4000570	1-29
4000572	1-28, 1-36
4000574	1-28, 1-30
4000576	1-34, 1-35
4000578	1-33
4000587	1-9, 1-10, 1-28, 1-29
4000588	1-9, 1-10, 1-28, 1-29
4000640	1-9, 1-10, 1-28, 1-29
4000641	1-9, 1-10, 1-28, 1-29
4000644	1-9, 1-10
4000647	1-9, 1-10
4100150	1-34, 1-35
4100152	1-34, 1-35
4100153	1-35
4100154	1-35
4100155	1-29, 1-32, 1-33, 1-34, 1-35
4100180	1-34, 1-35
4100206	1-31
4100211	1-31
4100212	1-31
4100215	1-31
4100239	1-35, 1-36
4100294	1-9, 1-10, 1-28, 1-29
4100328	1-9, 1-10, 1-28, 1-29, 1-32, 1-33, 1-34
4100329	1-28, 1-29, 1-32, 1-33, 1-34
4100332	1-29
4100333	1-31
4100338	1-31
4100339	1-28, 1-29
4100342	1-28, 1-36
4100350	1-30
4100357	1-34, 1-35

PART NUMBER	PAGE NO.
4100358	1-30, 1-31
4100372	1-33
4100373	1-7, 1-8, 1-9, 1-10, 1-29, 1-32
4100374	1-28, 1-33
4100376	1-28, 1-29
4100386	1-33
4100402	1-33
4100420	1-9, 1-10, 1-29
4100423	1-9, 1-10
4100428	1-28
4100441	1-28
4100448	1-10
4100712	1-28, 1-30, 1-36
4100767	1-28, 1-30, 1-31, 1-36
4101250	1-29, 1-32, 1-36
4109808	1-28, 1-30, 1-31
4109809	1-10
4109811	1-30, 1-31
4109812	1-30
4109916	-28, 1-29, 1-30, 1-31, 1-32, 1-33, 1-34, 1-35, 1-36
4109921	1-9, 1-10
4109931	1-7, 1-8, 1-9, 1-10, 1-28, 1-29, 1-32, 1-33, 1-34, 1-35, 1-36
4109935	1-32, 1-33, 1-34, 1-35, 1-36
4109939	1-7, 1-8, 1-9, 1-10, 1-28, 1-29
4109940	1-10, 1-28, 1-30, 1-31
4109977	1-28, 1-29, 1-32, 1-33, 1-34, 1-35, 1-36
5400219	1-31
5400705	1-9, 1-10, 1-28, 1-29, 1-30, 1-31, 1-32, 1-33, 1-34
5400711	1-9, 1-10, 1-28, 1-29, 1-30, 1-32, 1-36
5400766	1-28, 1-30, 1-31, 1-36
9900113	1-34, 1-35
9900139	1-33
9900169	1-28, 1-29, 1-30, 1-31, 1-32, 1-33, 1-34
9900170	1-7, 1-8, 1-9, 1-10, 1-28, 1-29, 1-30, 1-31, 1-32, 1-33, 1-34, 1-35, 1-36
9900175	1-35, 1-36
9900177	1-31
9900181	1-7, 1-8, 1-9, 1-10, 1-28, 1-29, 1-32, 1-36
9900182	1-9, 1-10
9900846	1-30, 1-36
9999048	3-17
50616000	2-3, 2-5, 2-9, 2-11, 2-15, 2-17
50616001	2-3, 2-5, 2-9, 2-11, 2-15, 2-17, 2-27, 2-31, 2-47, 2-49
50616007	2-3, 2-5, 2-9, 2-11, 2-15, 2-17
50616008	2-3, 2-5, 2-9, 2-11, 2-15, 2-17, 2-27, 2-31, 2-49
50860001	3-25
50860002	3-25
50860003	3-25
50860006	3-25
01123000101Z	5-17, 5-19, 5-20
A7202 700	1-38
A7602 700	1-38
BFW0100	1-19
BFW0101	1-19
BFW0104-35	1-19

Part Number Index



SAF-HOLLAND Group

PART NUMBER	PAGE NO.
BFW0104-40	1-19
BFW0104-45	1-19
BFW0122	1-19
BFW0173	1-19
JS150-SB	2-58
JS150-SB-101	2-58
JS150-SB-102	2-58
JS-300-B	2-61
JS-300-B6R	2-61
JS-300-B6S	2-61
JS-300-B10P	2-61
JS-300-J	2-61
JS-300-J8	2-61
JS-300-JR	2-61
LG0050	2-21, 2-23, 2-39
LG0051	2-21, 2-23, 2-39
LG0055	2-21, 2-23, 2-35
LG0056	2-21, 2-23, 2-35, 2-39
LG0070-02	2-3, 2-5, 2-9, 2-11, 2-15, 2-17, 2-21, 2-23, 2-27, 2-31, 2-35, 2-47, 2-49
LG0083-01	2-6, 2-12, 2-18, 2-24, 2-50
LG0083-03	2-6, 2-12, 2-18, 2-24, 2-50
LG0083-05	2-6, 2-12, 2-18, 2-24, 2-50
LG0094	2-27, 2-31, 2-35
LG0127-10	2-4, 2-5
LG0177	2-56
LG0189-01	2-47, 2-68
LG0259	2-15, 2-17, 2-62
LG0260	2-15, 2-17, 2-69
LG0261-01	2-3, 2-15, 2-47, 2-77
LG0264	2-15, 2-17
LG0266	2-58
LG0369-01	2-15, 2-17, 2-64
LG0369-05	2-15, 2-17, 2-66
LG0370-01	2-15, 2-17, 2-71
LG0370-05	2-15, 2-17, 2-73
LG0371-01	2-3, 2-15, 2-79, 2-81
LG0436	2-15, 2-17, 2-67
LG0437	2-3, 2-15, 2-83
LG0438	2-15, 2-17, 2-75
LG0531-02	2-15, 2-17, 2-87
LG0541-01	2-3, 2-15, 2-47, 2-94
LG0543-01	2-3, 2-5, 2-15, 2-17, 2-47, 2-89
LG0559-10	2-5, 2-17, 2-23
LG0569	2-15, 2-17
LG0569-02	2-15
LG0574-01	2-15
LG0574-02	2-15
LG0574-04	2-15
LG0574-05	2-15
LG0574-21	2-17
LG0574-22	2-17
LG0574-24	2-17
LG0574-25	2-17
LG0580-01	2-15
LG0580-02	2-15
LG0580-03	2-15
LG0580-05	2-15
LG0580-22	2-17
LG0580-23	2-17
LG0580-24	2-17
LG0590	2-52
LG0659-10	2-9, 2-11, 2-49
LG0663	2-3, 2-5, 2-15, 2-17, 2-47
LG0718-01	2-3, 2-5, 2-9, 2-11, 2-21, 2-23
LG0725	2-3, 2-5, 2-9, 2-11, 2-15, 2-17, 2-21, 2-23

PART NUMBER	PAGE NO.
LG0732-01	2-3, 2-5, 2-9, 2-11, 2-15, 2-17, 2-21, 2-23
LG0740-01	2-3, 2-5, 2-9, 2-11, 2-21, 2-23
LG0747-504	2-15
LG0747-505	2-15
LG0827	2-47, 2-49
LG0827-01	2-47, 2-49
LG0858	2-5, 2-17, 2-83
LG0859-01	2-5, 2-17, 2-79, 2-81
LG0861-01	2-5, 2-17, 2-77
LG0927	2-3, 2-5, 2-21, 2-23, 2-47, 2-62
LG0928	2-3, 2-5, 2-47, 2-69
LG0936-51	2-21, 2-23, 2-89
LG0944-10	2-23
LG0944-100	2-21
LG0946	2-3, 2-5, 2-21, 2-23, 2-63, 2-65
LG0947	2-3, 2-5, 2-71, 2-73
LG0948	2-3, 2-5, 2-21, 2-23, 2-67
LG0949	2-3, 2-5, 2-75
LG1326	2-5, 2-17, 2-23
LG1367-10	2-5, 2-17, 2-23
LG1468	2-54
LG1720-10	2-52
LG1720-40	2-52
LG1721	2-52
LG1723-01	2-52
LG1723-02	2-52
LG1823-02	2-9, 2-11, 2-35, 2-49, 2-87
LG1829	2-39
LG1870	2-57
LG1870-01	2-57
LG1870-02	2-57
LG1870-07	2-57
LG1871	2-56
LG1877	2-56
LG1899	2-52
LG1973-50	2-60
LG2003	2-44
LG2003-01	2-44
LG2024	2-44
LG2032	2-44
LG2032-01	2-44
LG2033	2-44
LG2094	2-3, 2-15, 2-21, 2-47
LG2095	2-3, 2-15, 2-21, 2-47
LG2145-999	2-20, 2-21
LG2147	2-21, 2-23, 2-69
LG2151	2-58
LG2153	2-58
LG2187	2-21, 2-23, 2-71, 2-73
LG2197	2-21, 2-23, 2-75
LG2314	2-47, 2-49, 2-52
LG2328	2-44, 2-52, 2-54, 2-63
LG2329	2-44, 2-52, 2-54
LG2392-01	2-52
LG2392-02	2-54
LG2392-03	2-44
LG2462	2-21, 2-23
LG2463-01	2-21, 2-23, 2-91
LG2464-01	2-21, 2-23, 2-92
LG2465-01	2-21, 2-23, 2-93
LG2596	2-60
LG2601	2-60
LG2602	2-60
LG2605	2-60
LG2744-21	2-17
LG2744-22	2-17

PART NUMBER	PAGE NO.
LG2884	2-9, 2-11, 2-35, 2-49, 2-85
LG2926	2-9, 2-11, 2-35, 2-49
LG2954	2-60
LG2955	2-60
LG2963-01	2-9, 2-11, 2-49, 2-69
LG2963-02	2-9, 2-11, 2-73
LG2963-03	2-9, 2-11, 2-75
LG2963-04	2-9, 2-11, 2-71
LG2964-01	2-9, 2-11, 2-49, 2-62
LG2964-02	2-9, 2-11, 2-65
LG2964-03	2-9, 2-11, 2-67
LG2964-04	2-9, 2-11, 2-64
LG2964-101	2-49, 2-68
LG2968	2-9, 2-11, 2-49, 2-93
LG2969	2-9, 2-11, 2-49, 2-91
LG2975	2-9, 2-11, 2-49, 2-95
LG2980	2-9, 2-11, 2-49, 2-89
LG2996	2-9, 2-11, 2-49
LG3005	2-9, 2-11, 2-49
LG3011-01	2-9, 2-11, 2-49, 2-77
LG3011-02	2-9, 2-11, 2-79, 2-81
LG3011-03	2-9, 2-11, 2-83
LG3012-01	2-9, 2-49
LG3012-02	2-9
LG3012-03	2-9, 2-35, 2-49
LG3012-04	2-9, 2-35, 2-49
LG3015-01	2-49
LG3053-01	2-9
LG3053-02	2-9
LG3053-03	2-9
LG3053-04	2-9
LG3053-05	2-9
LG3061-01	2-9
LG3061-02	2-9
LG3061-03	2-9
LG3061-04	2-9
LG3061-05	2-9
LG3061-07	2-9
LG3061-08	2-9
LG3061-13	2-9
LG3061-14	2-9
LG3071-04	2-11
LG3071-05	2-11
LG3077-01	2-11
LG3077-02	2-11
LG3077-03	2-11
LG3077-04	2-11
LG3095-01	2-11
LG3095-03	2-11
LG3095-04	2-11
LG3095-05	2-11
LG3097-01	2-9
LG3097-02	2-9
LG3097-03	2-9
LG3097-11	2-11
LG3097-12	2-11
LG3097-13	2-11
LG-742913	2-35
LG-742927	2-35
LG-750002-01	2-70
LG-750002-02	2-74
LG-750002-04	2-72
LG-750004-01	2-63
LG-750004-02	2-66
LG-750004-03	2-68
LG-750004-04	2-64
LG-750004-05	2-65
LG-751175-01	2-35, 2-78
LG-751175-02	2-35, 2-82
LG-751175-03	2-35, 2-84



PART NUMBER	PAGE NO.
M00 01 000	5-39
M00 08 000	5-39
M00 18 038	5-51
M00 18 041	5-51
RK-17-A-L	1-5, 1-24
RK-171-11078	1-5, 1-24
RK-171-11079	1-5, 1-24
RK-201-A3	1-4, 1-24
RK-201-A3-L	1-4, 1-24
RK-311-LK	1-3
RK-331-1	1-3, 1-6
RK-351-03505	1-13, 1-24
RK-351-07296	1-2, 1-24
RK-351-A	1-2, 1-24
RK-351-UB	1-13, 1-24
RK-1117-1	1-24, 1-27
RK-1117-1-L	1-24, 1-27
RK-1707-6	1-24, 1-26
RK-1707-M	1-24, 1-26
RK-03185-1	1-24
RK-04413	1-24, 1-26, 1-27
RK-05328	1-24, 1-27
RK-05329	1-24, 1-26
RK-06973-1	1-2, 1-3, 1-4, 1-24
RK-08415-1	1-2, 1-3
RK-09557	1-4
RK-10919	2-9, 2-11, 2-15, 2-17, 2-35, 2-39, 2-44, 2-47, 2-49, 2-52, 2-54
RK-10980	2-96
RK-10990	1-7, 1-8
RK-10999	1-7, 1-8
RK-11074-01	2-20, 2-21
RK-11284	2-14, 2-15
RK-11285	2-14, 2-15
RK-11286	2-38, 2-39
RK-11287	2-38, 2-39
RK-11288	2-2, 2-3
RK-11289	2-2, 2-3
RK-11290	2-26, 2-27
RK-11291	2-26, 2-27
RK-11321	2-30, 2-31
RK-11322	2-30, 2-31
RK-11442	2-8, 2-9, 2-10, 2-11, 2-48, 2-49
RK-11443	2-8, 2-9, 2-10, 2-11, 2-48, 2-49
RK-11488	2-34, 2-35
RK-11489	2-34, 2-35
RK-62000	1-24, 1-27
RK-62001	1-24, 1-27
RK-62004	1-24, 1-27
RK-63500	1-24, 1-26
RK-63501	1-24, 1-26
RK-63502	1-24
RK-63503	1-24, 1-26
RK-63504	1-24
RK-65005	1-18, 1-24
RK-65012	1-24
RK-65013	1-24
RK-65014	1-24
RK-65015	1-24
RK-65021	1-24
RK-65024	1-24
RK-4109939	1-7, 1-8
RK-FWS-A-L	1-7, 1-8
RK-PKT-2	1-5, 1-7, 1-8
RK-PKT-3	1-6
RK-V-1997-1	2-39
RK-V-1997-2	2-39

PART NUMBER	PAGE NO.
RK-V-07602-1	2-39
RK-V-07602-2	2-39
RK-V-07780	2-38, 2-39
RK-V-07781	2-38, 2-39
SLOA1058-02	3-18, 3-19
SLOA1122-42	3-18, 3-19
SLOA1122-48	3-18, 3-19
SLOA1123	3-19
SLOA1124	3-19
SLOA1129	3-19
SLOA1134	3-19
SLOA1238	3-5, 3-9, 3-13, 4-3, 4-7
SLOA1239-01	3-5, 3-9, 3-13, 4-3, 4-7
SLOA1239-02	3-5, 3-9, 3-13, 4-3, 4-7
SLOA1239-03	4-3, 4-7
SLOA1261	3-5, 3-9, 3-13, 4-3, 4-7
SLOA1269-01	3-9, 3-13, 4-3, 4-7
SLOA1269-02	3-9, 3-13, 4-3, 4-7
SLOA1269-03	4-3, 4-7
SLOA1273	3-5, 3-9, 3-13
SLOA1274	3-5, 3-9, 3-13, 4-3, 4-7
SLOA1277-01	3-5, 3-9, 3-13, 4-3, 4-7
SLOA1445-01	3-5
SLOA1445-02	3-5
SL0019-01	3-18
SL0041-01	4-10
SL0042-01	4-11
SL0049	4-11
SL0062-01	4-11
SL0062-02	4-11
SL0062-03	4-11
SL0062-05	4-11
SL0069-01	4-11
SL0069-02	4-11
SL0069-03	4-11
SL0069-04	4-11
SL0069-05	4-11
SL0070-01	4-11
SL0070-02	4-11
SL0070-03	4-11
SL0071-01	4-11
SL0071-02	4-11
SL0071-03	4-11
SL0318-01	4-11
SL0318-02	4-11
SL0318-03	4-11
SL0318-04	4-11
SL0318-05	4-11
SL0322	4-11
SL0370-28	4-11
SL00523-01	3-18
SL0523-07	3-5, 3-9, 3-13, 4-3, 4-7
SL0893	3-5, 3-9, 3-13, 3-18, 4-3
SL0969	3-19
SL0994	3-18
SP0049	4-3, 4-7
SP0055-01	4-10
SP0055-02	4-10
SP0074	3-19, 4-4, 4-8, 4-10
SP0099	3-18, 3-18, 4-3, 4-7, 4-10
SP0100	4-3, 4-7
SP0110	4-3
SP0120	4-3, 4-7
SP0123	4-3, 4-7, 4-10
SP0131	4-3, 4-7
SP0142-01	4-4, 4-8, 4-10
SP0142-02	4-4, 4-8, 4-10
SP0142-03	4-4, 4-8, 4-10
SP0142-04	4-10
SP0142-05	4-10

PART NUMBER	PAGE NO.
SP0142-06	4-10
SP0143	4-3, 4-7, 4-10
SP0149-04	4-4, 4-8
SP0149-05	4-4, 4-8
SP0149-06	4-4, 4-8
SP0149-07	4-4, 4-8
SP0149-08	4-4, 4-8
SP0156-01	4-10
SP0156-02	4-10
SP0168	4-10
SP0169	4-3, 4-7
SP0170	4-3, 4-7
SP0172	4-4, 4-8
SP0178	4-3, 4-7, 4-10
SP0192	3-18
SP0202-01	3-18
SP0202-09	3-18, 3-19
SP0202-10	3-18, 3-19
SP0206-02	3-19
SP0206-03	3-19
SP0221	3-18
SP0224	3-18
SP0277-42	3-19
SP0277-48	3-19
SP0278-42	3-19
SP0278-48	3-19
SP0284-42	3-19
TF-0110	1-12, 1-13, 1-14, 1-15
TF-TLN-0110	1-4
TF-TLN-1500	1-12, 1-14, 1-15
TF-TLN-2500	1-21
TF-TLN-4000	1-4
TF-TLN-5001	1-4, 1-12, 1-13, 1-14, 1-15
TF-TLN-08284	1-4
XA-17-A-L-P	1-24
XA-61-A	1-18
XA-62	1-18
XA-63-1	1-18
XA-64	1-18
XA-71-03706	1-12
XA-71-DAP	1-12
XA-71-DAS	1-24
XA-71-OAP	1-12
XA-71-OAS	1-24
XA-101-D	1-14
XA-101-DAS	1-24
XA-101-O	1-14
XA-101-OAS	1-24
XA-0114	1-14
XA-0115	1-14
XA-0115-1	1-14
XA-201-A-L-P	1-24
XA-201-A-P	1-24
XA-0268	1-13
XA-351-03505	2-3, 1-1, 1-13
XA-351-03505S	1-24
XA-351-A-06-L-P	1-24
XA-351-A-L-P	1-24
XA-351-A-P	1-24
XA-351-UB	2-3, 1-1, 1-13, 1-24
XA-351-UB-P	1-24
XA-782	1-15
XA-0861	1-17
XA-1005-FDS	1-14, 1-15
XA-1005-FH	1-12
XA-1016	1-4, 1-12, 1-14, 1-15, 1-27
XA-1016-C	1-4, 1-12, 1-14, 1-15
XA-1029	1-2, 1-13, 1-16, 1-17, 1-18, 1-26, 1-27
XA-1055	1-26, 1-27

Part Number Index



SAF-HOLLAND Group

PART NUMBER	PAGE NO.
XA-1102	1-27
XA-1104	1-12, 1-14, 1-15
XA-1117-13	1-14, 1-15
XA-1117-H	1-12
XA-1118-1	1-27
XA-1118-2-L	1-27
XA-1119	1-27
XA-1313	1-16, 1-17, 1-18, 1-26
XA-1501-CA15	1-18, 1-24
XA-1507	1-2, 1-13, 1-16, 1-17, 1-18, 1-26
XA-1512	1-18
XA-1532	1-18
XA-1581-A-1	1-24
XA-1584-2	1-15
XA-1589-1	1-15
XA-1595	1-15
XA-1596	1-15
XA-1597	1-15
XA-1621	1-27
XA-1668	1-27
XA-1674	1-27
XA-1703-F	1-16, 1-17, 1-18, 1-26
XA-1704	1-16, 1-17, 1-18, 1-26
XA-1704-X	1-16, 1-17, 1-18
XA-1705	1-16, 1-17, 1-18, 1-26
XA-1705-7A	1-18
XA-1705-11	1-16, 1-17
XA-1706	1-2, 1-3, 1-13, 1-16, 1-17, 1-18, 1-26
XA-1707-5	1-18
XA-1707-16	1-16, 1-17
XA-2009	1-24, 1-27
XA-2009-A-LH	1-24
XA-2009-A-RH	1-24
XA-2016	1-13, 1-26, 1-27
XA-2081-03	1-15
XA-2081-D1	1-15
XA-02154	2-59
XA-2524-03185-1	1-17
XA-2524-03185-4	1-17
XA-2524-07237	1-23
XA-2524-07237-1	1-23
XA-2524-R	1-13, 1-16, 1-18, 1-23, 1-24
XA-2524-R1	1-23
XA-2524-R-4-1	1-18, 1-23, 1-24
XA-2524-R-12	1-23
XA-2524-R-13-1	1-13, 1-23, 1-24
XA-2524-R-13-2	1-23
XA-2524-R-13-3	1-23
XA-2524-R-13-4	1-13
XA-2524-R-13-X	1-16, 1-23
XA-2632	1-12
XA-2760-R-1	1-23
XA-2801-03185-1	1-17, 1-24
XA-2801-03185-15	1-24
XA-2801-AX-15	1-24
XA-2809	1-17
XA-2836	1-17
XA-03189-1	1-17
XA-03193-1	1-17
XA-03423	1-13
XA-3501	1-24, 1-26
XA-3501-A-LH	1-24
XA-3501-A-RH	1-24
XA-3501-UB	1-24
XA-3514	1-26
XA-3528	1-2, 1-13, 1-16, 1-17, 1-26
XA-3542-L	1-2, 1-26
XA-3542-M	1-2, 1-26

PART NUMBER	PAGE NO.
XA-3542-R	1-2, 1-18, 1-26
XA-3544-1-A	1-16, 1-17
XA-3546	1-13
XA-03711	1-12
XA-03715	1-12
XA-05768	1-12, 1-14, 1-15
XA-05768-1	1-12
XA-05952	1-15
XA-06110	1-15
XA-06344	1-4, 1-5
XA-06344-AL	1-6
XA-06345	1-4
XA-06349	1-4
XA-07150-L	1-2
XA-07150-R	1-2
XA-07151-1	1-2, 1-24
XA-07292-1	1-2, 1-2, 1-2, 1-3, 1-3, 1-3, 1-13, 1-13, 1-13
XA-07295	1-2, 1-13
XA-07296	1-2
XA-08162	1-4
XA-08332-1	1-13
XA-08988	1-13
XA-09039	1-13
XA-09040	1-13
XA-09041	1-13
XA-09043	1-13
XA-09416	1-4
XA-09417-1	1-4
XA-09484	1-4
XA-09514	1-4
XA-09558	1-4, 1-5
XA-09580	1-4
XA-09590	1-4
XA-09632	1-4
XA-10255	1-3
XA-10257	1-3
XA-10258	1-3
XA-10261	1-3
XA-10265	1-3
XA-10343	1-3
XA-10344	1-3
XA-10364-3	1-5
XA-10364-3-AL-P	1-6
XA-10451	1-3
XA-10458	1-3
XA-10459	1-3
XA-10483	1-5
XA-10483-AL	1-6
XA-10485-1	1-5
XA-10486	1-5
XA-10486-E-P	1-6
XA-10487	1-5
XA-10487-P	1-6
XA-10495	1-5
XA-10495-AL-P	1-6
XA-10706-P	1-6
XA-10810-1	1-5, 1-6
XA-10969	1-7, 1-8, 1-9, 1-10
XA-10971	1-7, 1-8
XA-10990	1-7, 1-8
XA-10999	1-7, 1-8
XA-11038	1-6
XA-11039-P	1-6
XA-11112	1-7, 1-8
XA-11113	1-7, 1-8
XA-4109939	1-7, 1-8, 1-9, 1-10
XA-CRP-V-06633	2-39
XA-CRP-V-06634	2-39
XA-CRP-V-06635	2-3, 2-5, 2-9, 2-11, 2-21,

PART NUMBER	PAGE NO.
XA-CRP-V-06635	2-23, 2-35, 2-39, 2-47, 2-49, 2-59
XA-FW-78	1-12
XA-FW-102	1-14
XA-FW-103	1-14
XA-FW-104-03	1-12, 1-14, 1-15
XA-FW-104-D	1-12, 1-14, 1-15
XA-FW-106	1-14
XA-FW-107	1-14
XA-FW-108-D	1-12, 1-14, 1-15
XA-FW-113-D	1-14
XA-FW-128	1-12, 1-12, 1-14, 1-14, 1-15, 1-15
XA-FW-137-2	1-12, 1-14, 1-15
XA-FW-138	1-14, 1-15
XA-H-15-C-60	1-18
XA-H-72-A	1-18
XA-H-06628-000-0	2-40
XA-H-06628-010-1	2-40
XA-H-06628-010-5	2-40
XA-H-06628-020-2	2-40
XA-H-06628-101-0	2-40
XA-H-06628-111-1	2-40
XA-H-06628-111-5	2-40
XA-H-06628-121-2	2-40
XA-H-06628-202-0	2-40
XA-H-06628-212-1	2-40
XA-H-06628-212-5	2-40
XA-H-06628-222-2	2-40
XA-H-06628-303-0	2-40
XA-H-06628-313-1	2-40
XA-H-06628-313-5	2-40
XA-H-06628-323-2	2-40
XA-H-06628-404-0	2-40
XA-H-06628-413-2	2-40
XA-H-06628-414-1	2-40
XA-H-06628-414-5	2-40
XA-H-06628-505-0	2-40
XA-H-06628-514-2	2-40
XA-H-06628-515-1	2-40
XA-H-06628-515-5	2-40
XA-HV-796	2-39
XA-LG0570-01	2-3, 2-3, 2-5, 2-15, 2-17, 2-21, 2-23, 2-47, 2-85
XA-LG0880	2-3, 2-5, 2-9, 2-11, 2-21, 2-23, 2-35, 2-44, 2-47, 2-49, 2-52, 2-54, 2-58
XA-V-298-01	2-60
XA-V-630-2	2-39
XA-V-796-RCF	2-39
XA-V-796-WS	2-39
XA-V-971	2-39
XA-V-1875-10	2-59
XA-V-1901-1	2-39
XA-V-1903-1	2-39
XA-V-1916	2-39
XA-V-1938	2-39
XA-V-06600	2-39, 2-59, 2-88
XA-V-06601	2-39, 2-59, 2-86
XA-V-06602	2-39, 2-96
XA-V-06603	2-39, 2-90
XA-V-06604-1	2-39, 2-92
XA-V-06606	2-39, 2-94
XA-V-06611	2-39
XA-V-06618	2-39
XA-V-06623-A	2-39, 2-63
XA-V-06623-B	2-39, 2-68
XA-V-06623-C	2-39, 2-66
XA-V-06623-D	2-39, 2-64
XA-V-06623-F	2-39, 2-65



PART NUMBER	PAGE NO.
XA-V-06624-A	2-39, 2-70
XA-V-06624-C	2-39, 2-74, 2-76
XA-V-06624-D	2-39, 2-72
XA-V-06624-F	2-39, 2-72
XA-V-06625-A	2-39, 2-78
XA-V-06625-B	2-39, 2-84
XA-V-06625-C	2-39, 2-79, 2-82
XA-V-06625-F	2-39, 2-80
XA-V-06628-000-0	2-40
XA-V-06628-010-1	2-40
XA-V-06628-010-5	2-40
XA-V-06628-020-2	2-40
XA-V-06628-101-0	2-40
XA-V-06628-111-1	2-40
XA-V-06628-111-5	2-40
XA-V-06628-121-2	2-40
XA-V-06628-202-0	2-40
XA-V-06628-212-1	2-40
XA-V-06628-212-5	2-40
XA-V-06628-222-2	2-40
XA-V-06628-303-0	2-40
XA-V-06628-313-1	2-40
XA-V-06628-313-5	2-40
XA-V-06628-323-2	2-40
XA-V-06628-404-0	2-40
XA-V-06628-413-2	2-40
XA-V-06628-414-1	2-40
XA-V-06628-414-5	2-40
XA-V-06628-505-0	2-40
XA-V-06628-514-2	2-40
XA-V-06628-515-1	2-40
XA-V-06628-515-5	2-40
XA-V-06629	2-39
XA-V-07085	2-39
XA-V-07601-1	2-39
XA-V-07601-2	2-39
XA-V-07954	2-59
XA-V-07957	2-59
XA-V-77070	2-59
XA-V-77071	2-59
XB-5	1-4, 1-5, 1-12, 1-14, 1-15, 1-16, 1-17, 1-18, 1-26, 1-27
XB-9	1-18
XB-0011	1-2, 1-3, 1-4, 1-13, 1-25, 1-26, 1-27
XB-0011-2	1-2, 1-3, 1-4, 1-25, 1-26, 1-27
XB-0012-1	1-12, 1-25
XB-0012-3	1-12, 1-25
XB-15	1-27
XB-16	1-12, 1-14, 1-15, 1-26, 1-27
XB-21-S-218-1500	2-39
XB-21-S-375-1750	1-12, 1-13, 1-26, 1-27
XB-21-S-375-3000	2-39, 2-59
XB-21-S-500-2750	1-2, 1-3, 1-4, 1-13, 1-16, 1-17, 1-18, 1-26
XB-70	1-15, 1-18
XB-0103	1-17
XB-338	1-18, 2-39, 2-59
XB-382	1-15
XB-403	1-12, 1-14, 1-15, 1-27
XB-698	1-13
XB-767	1-4, 1-14, 1-18, 2-39, 2-59
XB-767-C	1-4, 1-14
XB-0769	1-12, 1-14, 1-15
XB-772	1-14
XB-780-1	1-15
XB-781-1	1-15
XB-1006	1-27
XB-1007	1-12, 1-14, 1-15, 1-27

PART NUMBER	PAGE NO.
XB-1028-1	1-4, 1-16, 1-17, 1-18
XB-1028-2	1-12, 1-14, 1-15
XB-1030	1-13, 1-16, 1-17, 1-18, 1-26, 1-27
XB-1031	1-27
XB-1044	1-26, 1-27
XB-1108	1-4, 1-4
XB-1127	1-2, 1-3, 1-26
XB-1204	1-4
XB-1316	1-18
XB-1505	1-2, 1-3, 1-13, 1-16, 1-17, 1-18, 1-26
XB-1604-5	1-13, 1-25
XB-1604-9	1-12, 1-25
XB-01789	2-39
XB-01996	1-16
XB-2001	1-14, 1-15, 1-27
XB-2083	1-2, 1-3, 1-5, 1-6, 1-12, 1-13, 1-14, 1-15, 1-16, 1-17, 1-18, 1-26, 1-27
XB-2149	1-2, 1-3, 1-13, 1-16, 1-17, 1-18, 1-26
XB-02312	1-2, 1-3, 1-26
XB-2556	1-18
XB-02724-1	1-5, 1-6
XB-2896	1-18
XB-02949	1-12, 1-14, 1-15
XB-02967	1-13, 1-18
XB-3103	2-39
XB-03371	1-14
XB-03429	1-18
XB-03437	1-18
XB-03553	1-6
XB-03695	2-60
XB-03857	2-60
XB-03858	2-60
XB-04473	1-12, 1-14, 1-15
XB-05607-1	1-6
XB-05843-1	1-5
XB-05843-1-P	1-6
XB-05855	1-6
XB-06179-2	1-4, 2-39
XB-06329-1	1-4
XB-06330	1-4
XB-06336	1-4
XB-06337	1-4
XB-06372	2-39
XB-07291	1-2, 1-3, 1-13
XB-07398	1-2, 1-3, 1-13
XB-07431	1-2, 1-13
XB-07508	1-2, 1-3
XB-07610	1-2, 1-3
XB-07618	2-39
XB-07628	1-2, 1-3, 1-13
XB-08002	1-12
XB-08558	1-4
XB-08559	1-2, 1-13
XB-08764	1-4
XB-08905	1-6
XB-08914	1-14
XB-08931	1-6
XB-09407	1-12
XB-09408	1-4
XB-09495	1-4
XB-09517-1	1-4
XB-09581	1-4
XB-09629	1-4
XB-10035	1-13
XB-10259	1-3
XB-10267	1-16, 1-17

PART NUMBER	PAGE NO.
xb-10294	1-6
XB-10294	1-3, 1-5
XB-10327	1-12
XB-10424	1-5
XB-10489	1-5
XB-10489-P	1-6
XB-10490	1-5
XB-10490-P	1-6
XB-10563	1-5
XB-10563-1-P	1-6
XB-10614	1-5
XB-10996	1-7, 1-8
XB-11027	1-7, 1-8
XB-11091	1-7, 1-8
XB-11127	1-7, 1-8, 1-9, 1-10
XB-BAL-023-01	2-39
XB-BAL-023-07	2-3, 2-5, 2-15, 2-17, 2-21, 2-23, 2-47
XB-BFW0118	1-19
XB-BFW0170-01	1-19
XB-BFW0172	1-19
XB-BR-12-C-4	1-17
XB-BR-118-C-7	1-13
XB-BRG-013-70	2-44, 2-52, 2-54, 2-60
XB-BRG-013-77	2-3, 2-5, 2-9, 2-11, 2-15, 2-17, 2-21, 2-23, 2-35, 2-47, 2-49
XB-C-38-C-1	1-6
XB-C-38-C-214	1-4
XB-C-41	1-14
XB-C-95	1-2, 1-3, 1-4, 1-5, 1-6, 1-7, 1-8, 1-9, 1-10
XB-C-375-C-125	2-59
XB-CLP-052-25	1-19
XB-CLP-052-26	1-19
XB-CP4647-10	2-56
XB-CP4651-16	2-44, 2-52, 2-54
XB-CTP-014-51	1-19
XB-CTP-014-59	1-19, 3-5, 3-9, 3-13, 3-18, 4-3, 4-7, 4-10
XB-CX-58-F-134	1-2, 1-3, 1-16, 1-17, 1-18, 1-26
XB-DCL-031-60	2-44
XB-DCL-031-66	2-56
XB-DCL-031-67	2-4, 2-5, 2-5, 2-16, 2-17, 2-22, 2-23
XB-DCL-031-79	2-52, 2-53
XB-E-536	1-13
XB-E-540	1-18
XB-E-541	1-5
XB-FW-109	1-14
XB-GP-014-07	2-3, 2-15, 2-44, 2-47, 2-52, 2-54, 2-60
XB-GP-014-18	2-9, 2-11, 2-35, 2-49
XB-GP-38-1-12-E	2-39, 2-59
XB-GP-38-138-5	2-39
XB-GP-052-21	2-9, 2-11, 2-49
XB-GP-052-22	2-5, 2-17
XB-GP-052-49	2-21, 2-23
XB-GRF-022-16	2-3, 2-3, 2-9, 2-11, 2-15, 2-21, 2-35, 2-44, 2-47, 2-49, 2-52, 2-54, 2-60
XB-GT-13-1	1-16, 1-17, 1-18
XB-H-38	1-2, 1-4, 1-12, 1-13, 1-14, 1-15, 1-17, 1-18, 1-26, 1-27
XB-HHB-050-70	2-3, 2-5, 2-9, 2-11, 2-15, 2-17, 2-21, 2-23
XB-HHC-001-33	3-3, 3-5, 3-6, 3-9, 3-13, 3-18, 3-19, 3-21, 3-22, 3-24, 4-3, 4-7

Part Number Index



SAF-HOLLAND Group

PART NUMBER	PAGE NO.
XB-HHC-001-40	2-56
XB-HHC-050-42	2-3, 2-5, 2-9, 2-11, 2-15, 2-17, 2-21, 2-23, 2-27, 2-31, 2-35, 2-44, 2-47, 2-49, 2-52, 2-54, 2-60
XB-HHC-050-52	1-19
XB-HHC-050-69	2-3, 2-5, 2-9, 2-11, 2-15, 2-17, 2-21, 2-23, 2-27, 2-31, 2-35, 2-47, 2-49
XB-HHC-050-109	3-18
XB-HHC-050-114	2-39
XB-HNH-34-F	1-2, 1-3, 1-6, 1-26
XB-HNH-58-C	1-12, 1-14, 1-15, 1-27
XB-HTP-014-69	2-58
XB-KEY-018-02	2-3, 2-3, 2-5, 2-15, 2-17, 2-21, 2-23, 2-47
XB-LG0085	2-39
XB-LG0219-01	2-3, 2-5, 2-15, 2-17, 2-47
XB-LG219-02	2-5, 2-17, 2-23
XB-LG0413	2-15, 2-17
XB-LG0428	2-3, 2-5, 2-15, 2-17, 2-47
XB-LG0542-01	2-3, 2-5, 2-15, 2-17, 2-47, 2-95
XB-LG0544	2-3, 2-3, 2-5, 2-9, 2-11, 2-15, 2-17, 2-21, 2-23, 2-35, 2-47, 2-49
XB-LG0559	2-39, 2-59
XB-LG0658-01	2-3, 2-5, 2-15, 2-17, 2-21, 2-23, 2-47
XB-LG0659	2-3, 2-5, 2-15, 2-17, 2-21, 2-23, 2-35, 2-47
XB-LG0659-01	2-3, 2-5, 2-15, 2-17, 2-21, 2-23, 2-47
XB-LG0660	2-3, 2-5, 2-15, 2-17, 2-47
XB-LG0663	2-3, 2-15, 2-47
XB-LG0713	2-39
XB-LG0726	2-3, 2-5, 2-9, 2-11, 2-15, 2-17, 2-21, 2-23
XB-LG0857-01	2-5, 2-17, 2-91
XB-LG0891	2-21, 2-23
XB-LG0893	2-3, 2-5, 2-9, 2-11, 2-21, 2-23, 2-35, 2-44, 2-47, 2-49, 2-52, 2-54, 2-58
XB-LG0931	2-21, 2-23
XB-LG1460	2-44, 2-52, 2-54
XB-LG1570	2-5, 2-17, 2-23, 2-39, 2-59
XB-LG1823-01	2-3, 2-3, 2-5, 2-21, 2-23, 2-47, 2-87
XB-LG2006	2-44
XB-LG2026	2-44, 2-52, 2-54, 2-88
XB-LG2027	2-44, 2-52, 2-54, 2-86
XB-LKP-014-100	2-58
XB-NRJ-34-F	1-27
XB-PW-016-03	1-19, 2-3, 2-5, 2-9, 2-11, 2-15, 2-17, 2-21, 2-23, 2-47, 2-49, 2-60
XB-PW-016-08	3-18, 4-3, 4-7, 4-10
XB-PW-016-13	2-27, 2-31
XB-PW-016-17	1-19
XB-PW-016-19	2-3, 2-5, 2-15, 2-17, 2-21, 2-23, 2-47
XB-PW-016-51	2-44, 2-52, 2-54
XB-PW-016-62	2-3, 2-5, 2-9, 2-11, 2-15, 2-17, 2-21, 2-23, 2-27, 2-31, 2-35, 2-47, 2-49
XB-PW-016-85	3-5, 3-9, 3-13, 4-3, 4-7
XB-PW-016-88	2-60
XB-PW-1316-112	1-2, 1-3, 1-14, 1-26
XB-PW-1732-1-116	1-2, 1-3, 1-5, 1-13, 1-16, 1-17, 1-18

PART NUMBER	PAGE NO.
XB-PWC-38-78	1-4
XB-SEL-030-17	2-5, 2-17, 2-21, 2-23, 2-35
XB-SEL-030-18	2-23
XB-SEL-030-22	2-5, 2-17
XB-SHS-007-02	1-19
XB-SLOA1054	3-5, 3-9, 3-13, 3-18, 4-3, 4-7
XB-SLN-012-04	2-3, 2-5, 2-9, 2-11, 2-15, 2-17, 2-21, 2-23, 2-27, 2-31, 2-35, 2-44, 2-47, 2-49, 2-52, 2-54, 2-60
XB-SLN-012-07	2-56
XB-SLN-012-42	3-5, 3-9, 3-13, 3-18, 3-19, 4-3, 4-7
XB-SLN-012-46	1-19
XB-SLN-012-60	3-18
XB-SP0011-44	3-18, 4-3, 4-7, 4-10
XB-SP0012-10	2-3, 2-5, 2-9, 2-11, 2-15, 2-17, 2-21, 2-23, 3-18, 4-3, 4-7, 4-10
XB-SP0012-36	3-18, 4-3, 4-7, 4-10
XB-SP0012-37	4-3, 4-7
XB-SP0012-49	3-18
XB-SP0012-51	3-18
XB-SP0012-52	3-18
XB-SP-014-27	2-3, 2-5, 2-15, 2-17, 2-21, 2-23, 2-35, 2-44, 2-47, 2-52, 2-54
XB-SP0016-67	3-18, 4-3, 4-7, 4-10
XB-SP0050-01	4-10
XB-SP0050-71	4-3, 4-7, 4-10
XB-SP0050-72	3-18
XB-SP0050-73	1-19, 4-3, 4-7
XB-SP0050-75	3-18, 4-3, 4-7, 4-10
XB-SP0050-97	1-19
XB-SP0050-99	3-18
XB-SP0050-100	3-18
XB-SP0050-101	3-18
XB-SP0145	4-3, 4-7, 4-10
XB-SP0203	3-18
XB-SP0204	3-18
XB-SP0205-01	3-18
XB-SPG-020-02	2-39
XB-SPG-020-06	1-19
XB-SPG-020-21	1-19
XB-SPG-020-26	2-52
XB-SPG-020-33	3-18
XB-SPG-020-34	3-19
XB-SPG-020-35	3-5, 3-9, 3-13, 4-3, 4-7
XB-SPG-020-36	2-3, 2-5, 2-15, 2-17, 2-21, 2-23, 2-47
XB-SPG-202-08	1-19
XB-SPN-052-51	3-18
XB-SPN-053-36	3-18
XB-SPN-053-54	3-18
XB-SPN-053-58	3-18
XB-SPN-053-60	3-18
XB-SPN-053-61	3-18
XB-SPN-053-62	3-18
XB-STS-008-11	2-3, 2-5, 2-9, 2-11, 2-15, 2-17, 2-21, 2-23, 2-27, 2-31, 2-35, 2-44, 2-47, 2-49, 2-52, 2-54, 2-58
XB-STS-008-16	3-5, 3-9, 3-13, 3-18, 4-3, 4-7, 4-10
XB-STS-008-17	2-44, 2-47, 2-49, 2-52, 2-60
XB-T-9N-2	1-12
XB-T-49	1-2, 1-3, 1-7, 1-8, 1-12, 1-14, 1-15, 1-16, 1-17, 1-18, 1-26, 1-27

PART NUMBER	PAGE NO.
XB-T-60	1-12, 1-14, 1-15
XB-T-61	1-6
XB-T-69-A	1-2, 1-3, 1-4, 1-5, 1-6, 1-7, 1-8, 1-9, 1-10, 1-12, 1-13, 1-14, 1-15, 1-16, 1-17, 1-18, 1-26
XB-T-89-5	1-13, 1-18
XB-T-97	1-18
XB-T-99	1-6, 1-18
XB-T-199	1-4, 1-7, 1-8, 1-9, 1-10
XB-T-307	1-14
XB-V-444-4	2-39
XB-V-647	2-39, 2-59
XB-V-747-HD-1	2-59
XB-V-919	1-27
XB-V-932	1-27
XB-V-1025	1-27
XB-V-1915	2-39
XB-V-06621	2-39
XB-V-06629	2-59
XB-V-06630	2-39, 2-59
XB-V-06632	2-39, 2-59
XB-V-07054	2-39
XD-3123-1	1-12, 1-14, 1-15, 1-27
XD-06328	1-4
XD-10680-P	1-6
XD-11121	1-7, 1-8
XD-LG0856	2-5, 2-17, 2-93
XE-02759	1-12
XE-06356	1-2, 1-3, 1-4, 1-5, 1-6, 1-7, 1-8
XE-06356-P	1-6
XE-09415	1-4
XL-AK399-01	5-7
XL-AK424	5-7



THIS PAGE INTENTIONALLY LEFT BLANK



THIS PAGE INTENTIONALLY LEFT BLANK

They're called "Original Parts" for a reason!
Why trust anything else?



ORIGINAL PARTS™



FIFTH WHEELS



SUSPENSIONS



LANDING GEAR



COUPLINGS



LIFTGATES

Service parts for Holland, SAF, Neway, and former Binkley, Simplex, and TruckMaster Products.

From fifth wheel rebuild kits to suspension bushing repair kits, SAF-HOLLAND Original Parts are the same quality components used in the original component assembly. SAF-HOLLAND Original Parts are tested and designed to provide maximum performance and durability. Will-fits, look-alikes or worse yet counterfeit parts will only limit the performance potential and could possibly void SAF-HOLLAND's warranty. Always be sure to spec SAF-HOLLAND Original Parts when servicing your SAF-HOLLAND product.

888.396.6501
United States

www.safholland.com

519.537.3494
Canada



From fifth wheel rebuild kits to suspension bushing repair kits, SAF-HOLLAND Original Parts are the same quality components used in the original component assembly.

SAF-HOLLAND Original Parts are tested and designed to provide maximum performance and durability. Will-fits, look-alikes or worse yet counterfeit parts will only limit the performance potential and could possibly void SAF-HOLLAND's warranty. Always be sure to spec SAF-HOLLAND Original Parts when servicing your SAF-HOLLAND product.

SAF-HOLLAND USA • 800.876.3929 • Fax 800.356.3929

www.safholland.us

SAF-HOLLAND CANADA • 519.537.3494 • Fax 800.565.7753

WESTERN CANADA • 604.574.7491 • Fax 604.574.0244

www.safholland.ca

SAF-HOLLAND MEXICO • 52.1.55.545668641 • Fax 52.55.58162230

www.safholland.com.mx

info@safholland.com