



HOLLAND FIFTH WHEEL PARTS REFERENCE GUIDE

For parts, service, and warranty questions,
call 888.396.6501 or visit www.safholland.us

TABLE OF CONTENTS

FW35 Series	1-2
FW31 Series	1-3
FW8 Series	1-4
FW17 Series	1-5
FWAL Series	1-6
FWS1 Series	1-7
FWS2 Series	1-8
Holland Simplex SE	1-9
Holland Simplex II SE	1-10
Holland Simplex Kits 'Quick List'	1-11
FW70 Series	1-12
XA-351-03505 and XA-351-UB	1-13
FW1560-C	1-14
Rubber Upshock Cushions	1-15
FW8, FW35, FW2500 & FW2535 Series Slide Bracket Parts	1-16
FW2500-H, FW2535-H & FW2536-H Series Slide Bracket Parts	1-17
Holland Fifth Wheel Replacement Air Cylinders	1-18
Holland Fifth Wheel Kits 'Quick List'	1-19
 Discontinued Models	
FW3500 Series	1-20
FW2000 Series	1-21
Simplex II	1-22
Simplex	1-23
Simplex Yard Tractor	1-25
Simplex Lite	1-26
Simplex IIR	1-28
Castloc	1-29
Castloc II	1-30
Kits for Discontinued Simplex Fifth Wheels	1-31

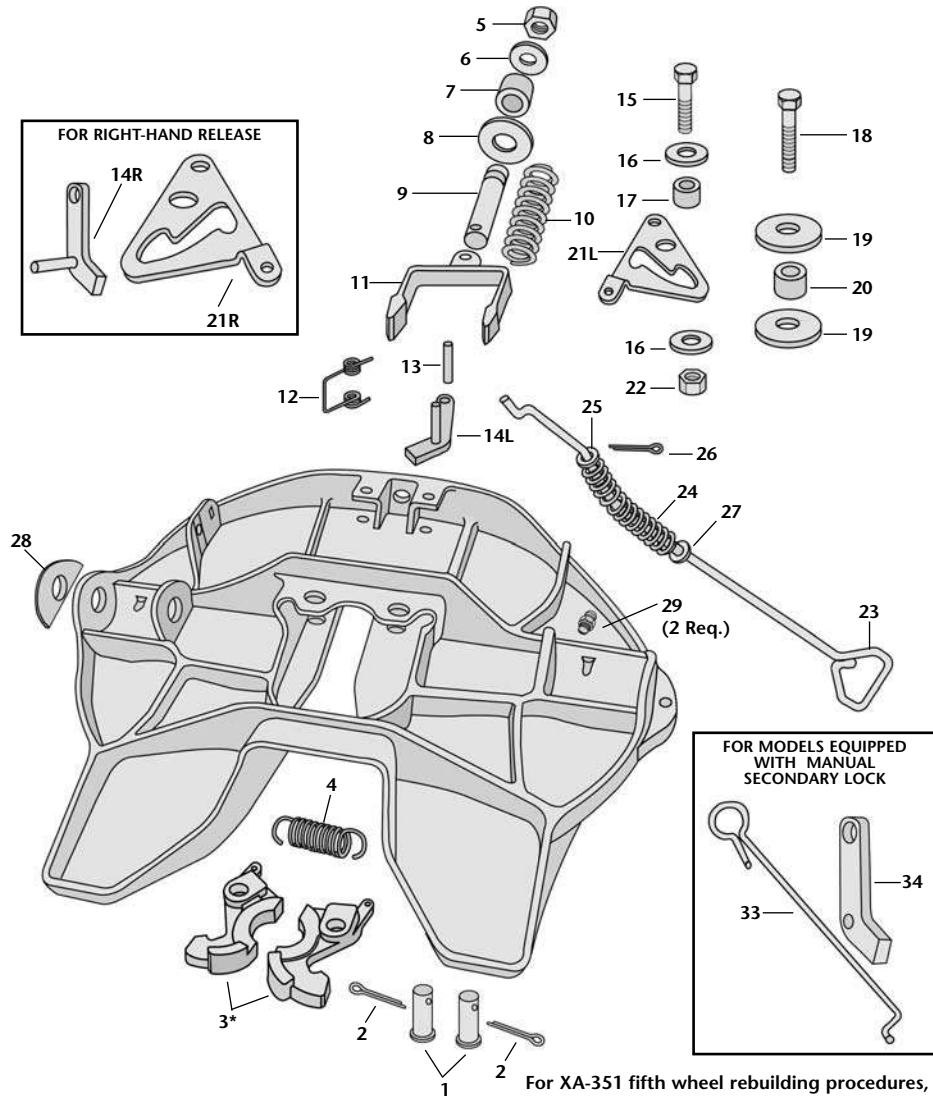
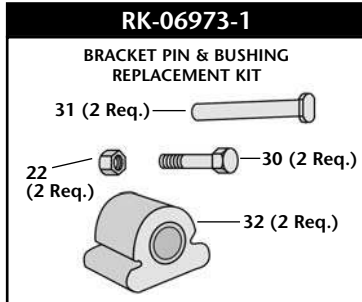
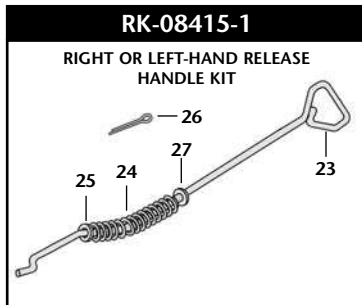
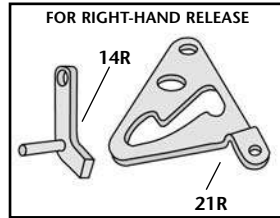
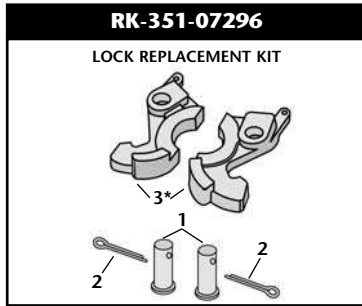
FW35 SERIES PARTS LIST



XA-351 Rebuild Kit

RK-351-A: Right-hand Release

RK-351-A-L: Left-hand Release



XA-351 SERIES PARTS LIST

ITEM	PART NO.	NO. REQ'D.	PART NAME
1	XA-07292-T	2	Lock Pin
2	XB-5	2	Cotter Pin (1/4" x 2")
3	XA-07296*	1	Lock Jaw Set
4	XB-07628	1	Extension Spring
5	XB-HNH-34-F	1	Locknut (3/4"-16)
6	XB-PW-1316-112	1	Washer (11/2" O.D. x 13/16" I.D.)
7	XB-1127	1	Rubber Washer
8	XB-02312	1	Lock Adjustment Tag
9	XA-1706	1	Yoke Shaft
10	XB-1505	1	Compression Spring
11	XA-07295	1	Yoke
12	XB-2149	1	Torsion Spring
13	XB-21-S-500-2750	1	Roll Pin (1/2" x 23/4")
14L	XA-3542-L	1	Secondary Lock (left-hand)
14R	XA-3542-R	1	Secondary Lock (right-hand)
15	XB-2083	1	Hex Head Cap Screw (1/2"-20 x 1-3/4")
16	XB-08559	2	Washer (13/4" O.D. x 9/16" I.D.)
17	XA-1029	1	Roller (1/2" I.D.)
18	XB-CX-58-F-134	1	Hex Head Cap Screw (5/8"-18 x 1-3/4")

ITEM	PART NO.	NO. REQ'D.	PART NAME
19	XB-07431	2	Washer (2-5/8" x 21/32")
20	XA-1507	1	Roller (5/8" I.D.)
21L	XA-07150-L	1	Cam Plate (left-hand)
21R	XA-07150-R	1	Cam Plate (right-hand)
22	XB-T-69-A	1	Locknut (1/2"-20)
23	XA-07151-1	1	Release Handle (universal for both left and right)
24	XB-07291	1	Compression Spring
25	XB-PW-1732-1-116	1	Washer (11/16" O.D. x 1/2" I.D.)
26	XB-07508	1	Cotter Pin (1/8" x 1-1/4")
27	XB-T-49	1	Washer (1-3/8" O.D. x 9/16" I.D.)
28	XB-07610	1	Operation Tag
29	XB-H-38	2	Grease Zerk
30	XB-C-95	2	Hex Head Cap Screw (1/2"-20 x 1-1/4")
31	XE-06356	2	Bracket Pin
32	XB-0011-2	2	Rubber Bushing
33	XA-3542-M	1	Manual Second. Lock Release Handle
34	XA-3528	1	Manual Secondary Lock

* Not available individually; order RK-351-07296

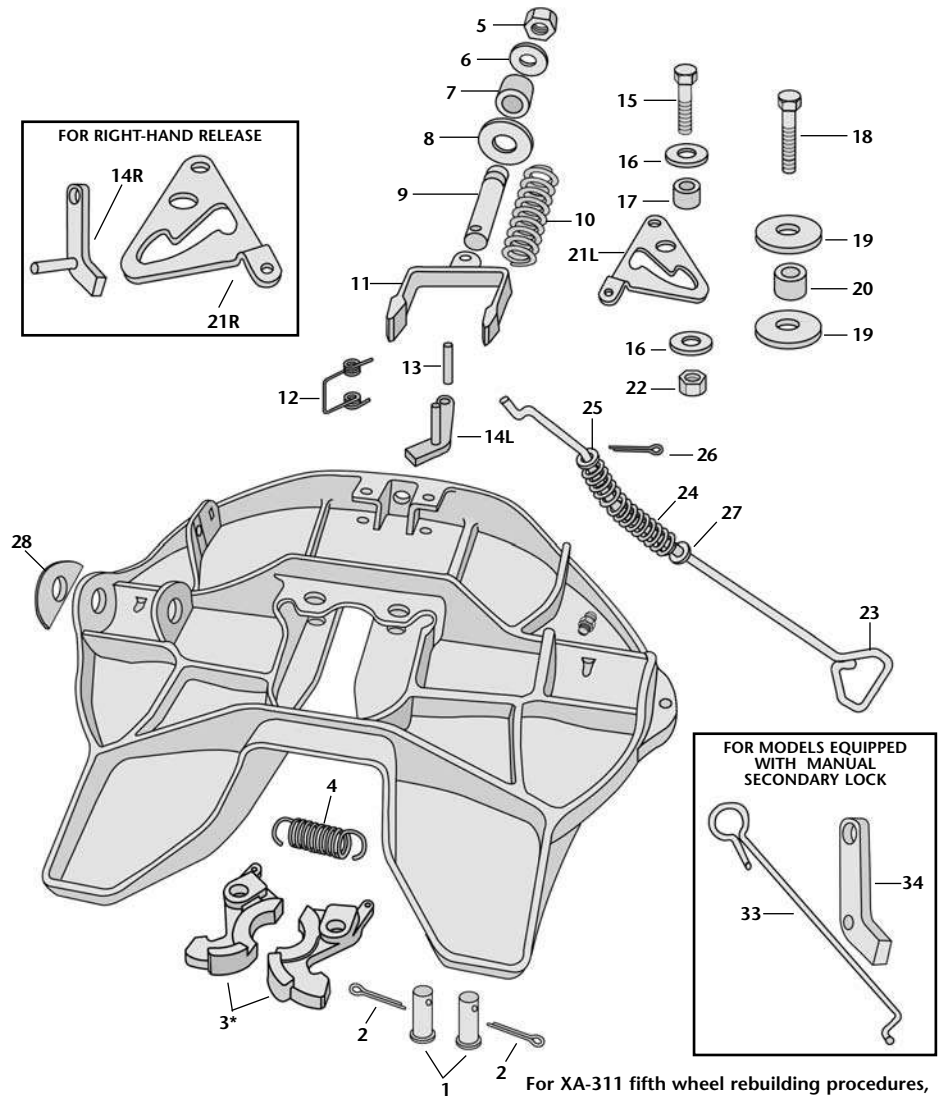
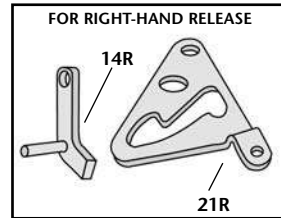
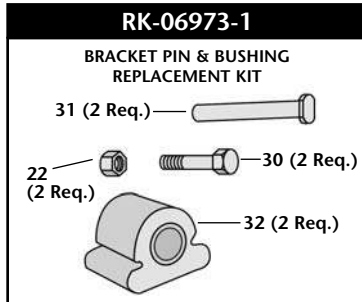
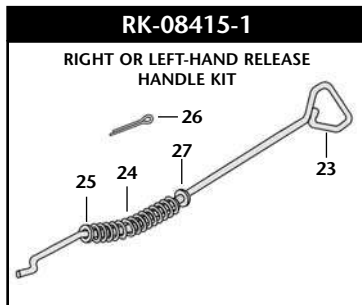
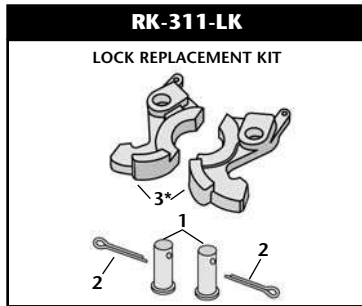
FW31 SERIES (NoLube) PARTS LIST



XA-311 Rebuild Kit

RK-311-A: Right-hand Release

RK-311-A-L: Left-hand Release



For XA-311 fifth wheel rebuilding procedures, see Holland publication XL-FW442

XA-311 SERIES PARTS LIST

ITEM	PART NO.	NO. REQ'D.	PART NAME
1	XA-10256	2	Lock Pin
2	XB-5	2	Cotter Pin (1/4" x 2")
3	XA-10255*	1	Lock Jaw Set
4	XB-07628	1	Extension Spring
5	XB-HNH-34-F	1	Locknut (3/4"-16)
6	XB-PW-1316-112	1	Washer (1 1/2" O.D. x 13/16" I.D.)
7	XB-1127	1	Rubber Washer
8	XB-02312	1	Lock Adjustment Tag
9	XA-1706	1	Yoke Shaft
10	XB-1505	1	Compression Spring
11	XA-10257	1	Yoke
12	XB-2149	1	Torsion Spring
13	XB-21-S-500-2750	1	Roll Pin (1/2" x 23/4")
14L	XA-10261	1	Secondary Lock (left-hand)
14R	XA-10451	1	Secondary Lock (right-hand)
15	XB-2083	1	Hex Head Cap Screw (1/2"-20 x 1-3/4")
16	XB-10294	2	Washer (2 1/4" O.D. x 17/32" I.D.)
17	XA-10265	1	Roller (1/2" I.D.)
18	XB-CX-58-F-134	1	Hex Head Cap Screw (5/8"-18 x 1-3/4")

ITEM	PART NO.	NO. REQ'D.	PART NAME
19	XB-10259	2	Washer (2-5/8" x 21/32")
20	XA-10343	1	Roller (5/8" I.D.)
21L	XA-10258	1	Cam Plate (left-hand)
21R	XA-10258	1	Cam Plate (right-hand)
22	XB-T-69-A	1	Locknut (1/2"-20)
23	XA-10344	1	Release Handle (universal for both left and right)
24	XB-07291	1	Compression Spring
25	XB-PW-1732-1-116	1	Washer (1 1/16" O.D. x 1/2" I.D.)
26	XB-07508	1	Cotter Pin (1/8" x 1-1/4")
27	XB-T-49	1	Washer (1-3/8" O.D. x 9/16" I.D.)
28	XB-07610	1	Operation Tag
30	XB-C-95	2	Hex Head Cap Screw (1/2"-20 x 1-1/4")
31	XE-06356	2	Bracket Pin
32	XB-0011-2	2	Rubber Bushing
33	XA-10459	1	Manual Second. Lock Release Handle
34	XA-10458	1	Manual Secondary Lock
35	RK-331-1	Set	Lube Plates (not Pictured)

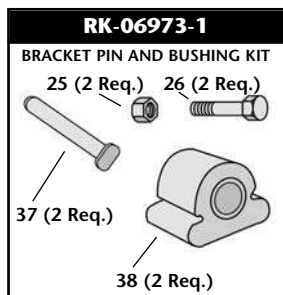
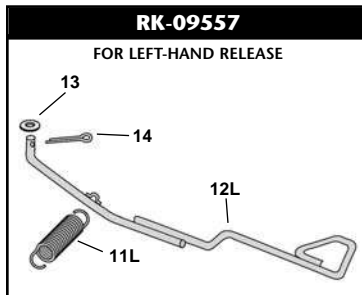
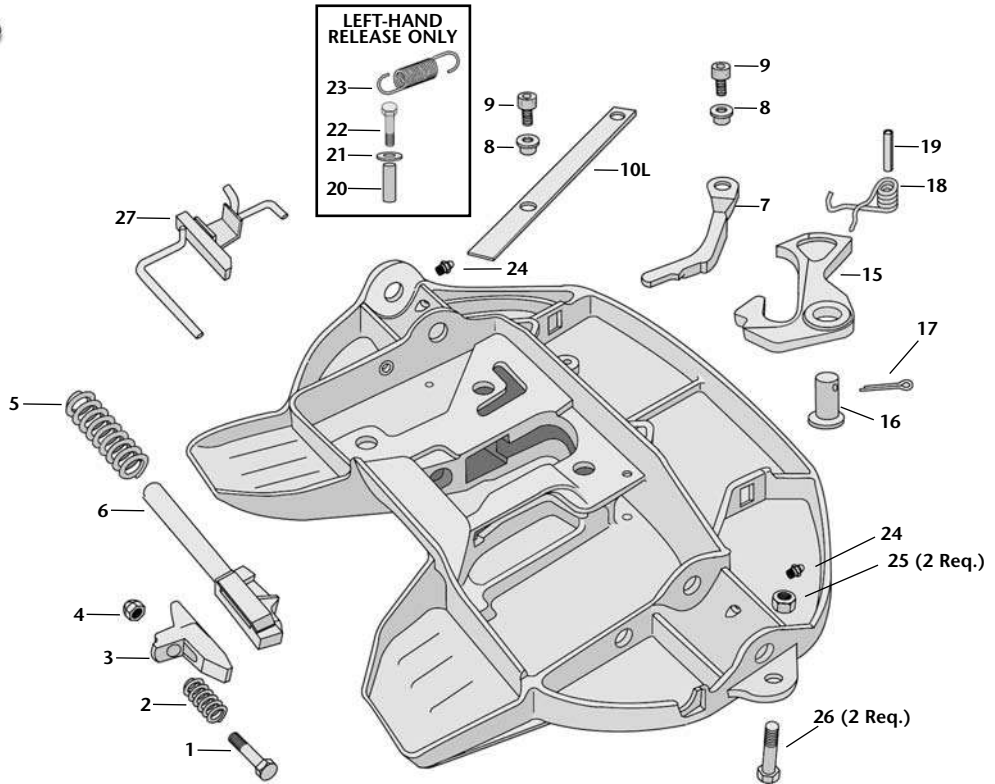
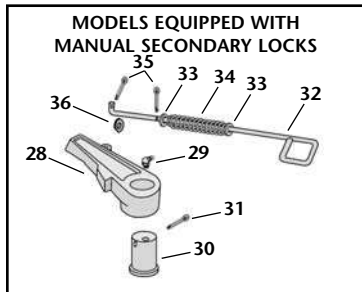
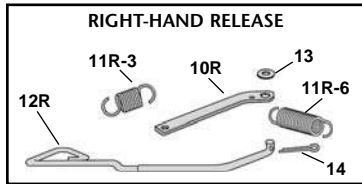
* Not available individually; order RK-311-LK

FIFTH WHEEL ASSEMBLIES

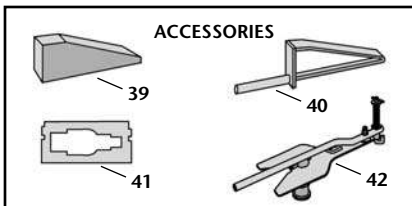
XA-201 Rebuild Kit

RK-201-A3: Right-hand Release

RK-201-A3-L: Left-hand Release



For XA-201 fifth wheel rebuilding procedures, see Holland publication XL-FW355



XA-201 PARTS LIST

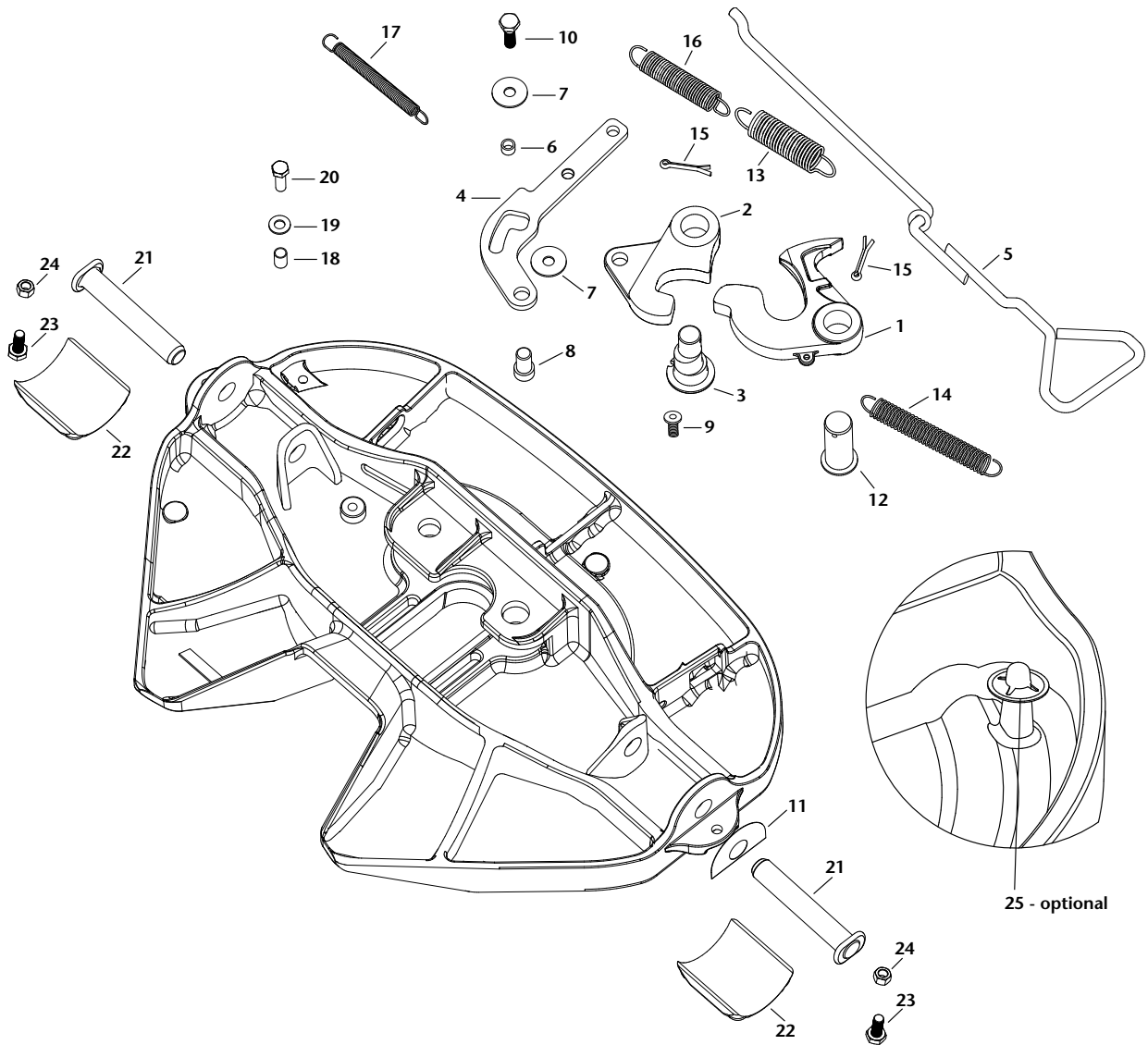
ITEM	PART NO.	NO. req'd.	PART NAME
1	XB-06329-1	1	Hex Head Cap Screw 5/8"-11 x 4-1/4"
2	XB-09495	1	Spring
3	XD-06328	1	Adjusting Wedge
4	XB-06179-2	1	Locknut 5/8"-11
5	XB-06330	1	Plunger Spring
6	XA-09417-1	1	Locking Plunger
7	XF-09415	1	Cam Arm
8	XA-08162	2	Roller
9	XB-08558	2	SHCS 1/2"-13 x 3/4"
10R	XA-09580	1	Right-Hand Release Arm
10L	XA-09514	1	Left-Hand Release Arm
11R-3	XB-09629	1	Extension Spring
11R-6	XB-09581	1	Extension Spring
11L	XB-09408**	1	Extension Spring
12R	XA-09632	1	Right-Hand Release Handle
12L	XA-09484**	1	Left-Hand Release Handle
13	XB-T-199	1	5/8" Washer
14	XB-06336	1	Cotter Pin .19" x 1-1/4"
15	XA-09416*	1	Hinged Lock
16	XA-06344	1	Lock Pin
17	XB-5	1	Cotter Pin 1/4" x 2"
18	XB-08764	1	Lock Return Spring
19	XB-21-S-500-2750	1	Roll Pin
20	XA-09558	1	Spacer
21	XB-1108	1	Washer
22	XB-C-38-C-214	1	HHCS, 3/8" x 2-1/4"
23	XB-09517-1	1	Extension Spring

ITEM	PART NO.	NO. req'd.	PART NAME
24	XB-H-38	2	Grease Fitting
25	XB-T-69-A	2	Locknut, 1/2"-20
26	XB-C-95	2	Hex Head Cap Screw 1/2"-20 x 1-1/4"
27	XA-09590	1	Wedge Stop Block
28	XA-06349	1	Manual Secondary Lock Arm
29	XB-767-C	1	45° Grease Fitting
30	XA-1016-C	1	Secondary Lock Pin
31	XB-5	1	Cotter Pin 1/4" x 2" (Same as #17)
32	XA-06345	1	Secondary Lock Release Handle
33	XB-1204	2	7/16" Washer
34	XB-1028-1	1	Spring
35	XB-06337	2	Cotter Pin 1/8" x 1"
36	XB-PWC-38-78	1	Washer, 3/8" Clipped
37	XF-06356	2	Bracket Pin
38	XB-0011-2	2	Rubber Bushing
39	TF-TLN-08284	1	Helper Block (Wood)
40	TF-TLN-4000	1	Helper Block (Steel)
41	TF-TLN-0110	1	Kingpin Gage
42	TF-TLN-5001	1	2" Lock Adjustment Tool

* Not available individually; order RK-201-A3-L or RK-201-A3 ** Not available individually; order RK-09557

Not available individually; order RK-09556

FW17 SERIES PARTS LIST



XA-171 PARTS LIST

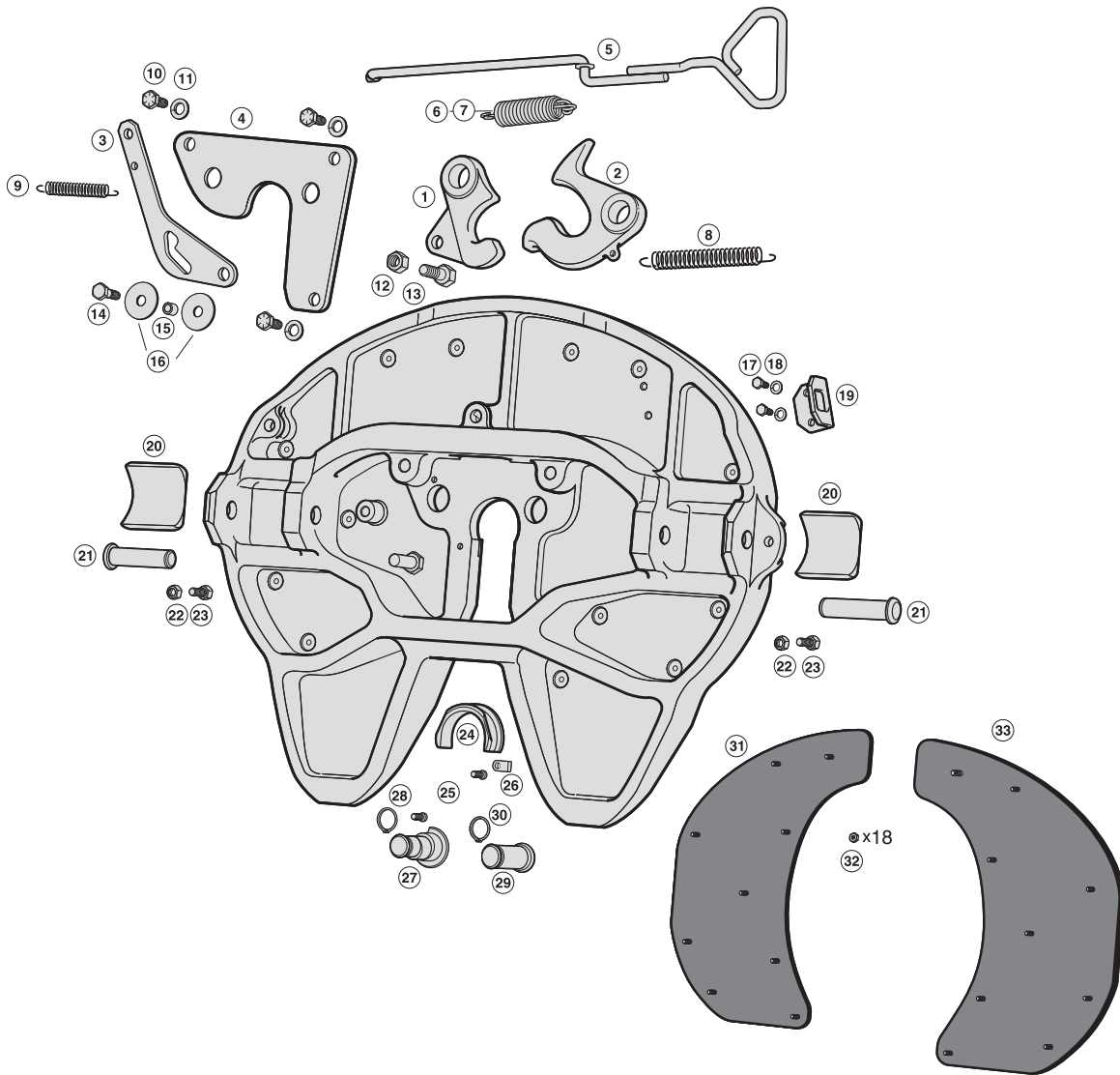
ITEM	PART NO.	PART NAME
1	XA-10486	Lock
2	XA-10487	Hook
3	XA-10364-3	Adjusting Pin
4	XA-10483	Release Cam
5	XA-10495	Release Handle
6	XA-10810-1	Cam Spacer
7	XB-10294	Washer, 1/2" Stainless Steel
8	XA-10485-1	Hook Pin
9	XB-02724-1	LHSCS, 3/8-16 x 3/4" LG
10	XB-2083	HHCS, 1/2-20 x 1-3/4" LG
11	XB-10424	Name Tag
12	XA-06344	Lock Pin
13	XB-10490	Extension Spring (Handle, Outer)
14	XB-05843-1	Extension Spring (Lock)
15	XB-5	Cotter Pin
16	XB-10489	Extension Spring (Handle, Inner)
17	XB-10563	Extension Spring (Release Cam)
18	XA-09558-1	Spacer
19	XB-PW-1732-1-116	Washer, Plain 1/2"
20	XB-E-541	HHCS, 1/2-20 x 1-1/2" LG
*21	XE-06356	Bracket Pin
*22	RK-PKT-2	Pocket Insert (Qty 2)
*23	XB-C-95	HHCS, 1/2-20 x 1-3/4" LG
*24	XB-T-69-A	1/2-20 Lock Nut
25	XB-10614	Retainer, Push 3/8" Dia.

Rebuild Kits:

Complete Rebuild Kit	RK-17-A-L
Lock Kit	RK-17-A-L-P
Handle Kit	RK-171-11079

* Not included in Complete Rebuild Kit (RK-17-A-L)

FWAL SERIES PARTS LIST



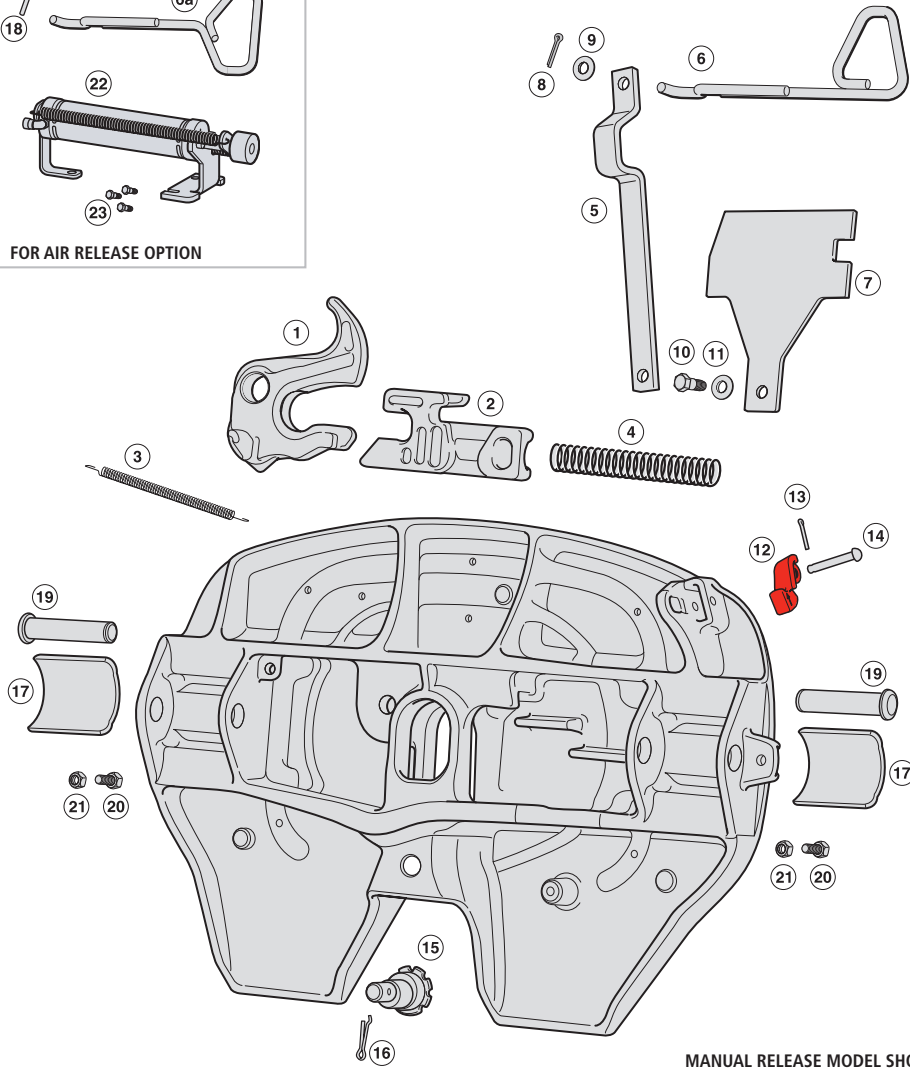
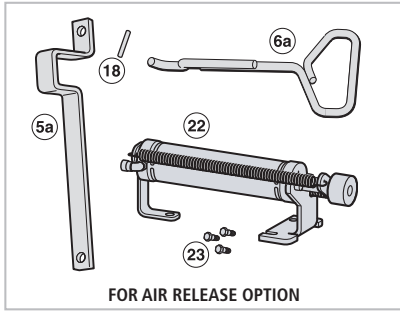
Item	Description	Part No.
1	HOOK	XA-10487-P
2	LOCK	XA-10486-E-P
3	CAM, RELEASE	XA-10483-AL
4*	PLATE, BOTTOM	XA-11038
5	HANDLE S/A, RELEASE	XA-10495-AL-P
6	SPRING, EXTENSION	XB-10489-P
7	SPRING, EXTENSION	XB-10490-P
8	SPRING, EXTENSION	XB-05843-1-P
9	SPRING, EXTENSION	XB-10563-1-P
10*	HHCS 5/8"-11 X 2"	XB-03553
11*	WASHER, LOCK 5/8"	XB-T-99
12	NUT, LOCK 3/4"-16	XB-HNH-34-F
13	HHCS 3/4"-16 X 2"	XB-05607-1
14	HHCS, 1/2"-20 X 1-3/4"	XB-2083
15	BUSHING, RELEASE CAM	XA-10810-1
16	WASHER, 1/2", STAINLESS	XB-10294
17*	HHCS 3/8"-16X 1"	XB-C-38-C-1
18*	WASHER LOCK 3/8"	XB-T-61

Item	Description	Part No.
19*	SUPPORT, HANDLE	XA-11039-P
20*	INSERT, POCKET (Qty 2)	RK-PKT-3
21*	PIN, BRACKET	XE-06356-P
22*	NUT, LOCK 1/2"-20	XB-T-69-A
23*	HHCS 1/2"-20X 1-1/4"	XB-C-95
24	INSERT, FRONT LOCK	XD-10680-P
25	LHSCS, 3/8"-16&X 3/4" LG.	XB-02724-1
26	KEEPER, INSERT	XA-10706-P
27	PIN, ADJUSTING	XA-10364-3-AL-P
28	RING, RETAINING 1-1/8"	XB-05855
29	PIN, LOCK"	XA-06344-AL
30	RING, RETAINING 1-3/8"	XB-08905
31*	PLATE S/A, LUBE"	XA-08125-L
32*	NUT, LOCK 5/16"-18"	XB-08931
33*	PLATE S/A, LUBE"	XA-08125-R

* Parts not included in RK-AL-A-L Rebuild Kit.

If lube plates and pocket inserts are needed, order RK-AL-1.
 If lube plates are needed, order RK-331-1.
 If replacement lock and hook are needed, order RK-AL-11078.

HOLLAND FWS1 SERIES PARTS LIST



Complete Rebuild Kit

Contains all items required to rebuild entire manual release FWS1

RK-FWS-A-L

Release Handle Kit

RK-10990

Jaw Kit

RK-4109939

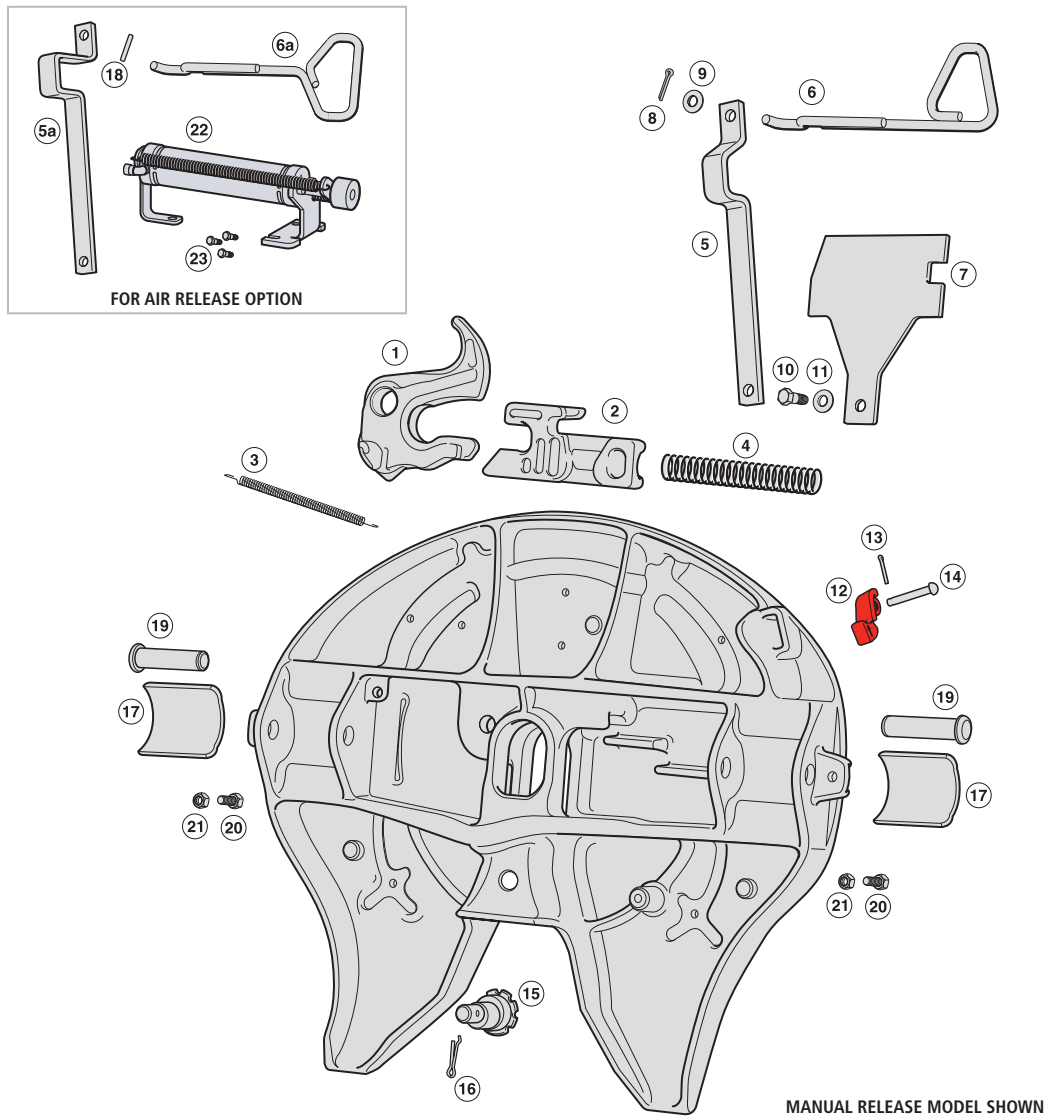
Air Cylinder Replacement Kit

RK-10999

Item	Description	Part No.
1	Jaw	XA-4109939
2	Lock	4109931
3	Jaw Return Spring	1200101
4	Lock Spring	1200706
5	Lever Bar (Manual Pull)	4100373
5a	Lever Bar (Air Release)	XA-11113
6	Handle (Manual Pull)	XA-10990
6a	Handle (Air Release)	XA-11112
7	Cover Plate	XA-10969
8	Cotter Pin 3/16" x 1-1/4"	XB-11091
9	Washer 1/2"	XB-T-49
10	Hex Head Shoulder Bolt	XB-11127
11	Washer 5/8"	XB-T-199
12	Lock Indicator	XD-11121
13	Cotter Pin 1/8" x 1-1/4"	84261

Item	Description	Part No.
14	Indicator Pin	XB-10996
15	Eccentric Jaw Pin	XA-10971
16	Clinch Pin 3/16" x 1-1/4"	9900170
17	Pocket Insert (Qty 2)	RK-PKT-2
18	Roll Pin 3/16" x 1.15"	9900181
19	Bracket Pin	XE-06356
20	HHCS 1/2" - 20 x 1-1/4"	XB-C-95
21	Locknut 1/2" - 20	XB-T-69-A
22	Air Cylinder	XA-10999
23	HHCS 3/8" - 16 x 1/2"	XB-11027

HOLLAND FWS2 SERIES PARTS LIST



Item	Description	Part No.
1	Jaw	XA-4109939
2	Lock	4109931
3	Jaw Return Spring	1200101
4	Lock Spring	1200706
5	Lever Bar (Manual Pull)	4100373
5a	Lever Bar (Air Release)	XA-11113
6	Handle (Manual Pull)	XA-10990
6a	Handle (Air Release)	XA-11112
7	Cover Plate	XA-10969
8	Cotter Pin 3/16" x 1-1/4"	XB-11091
9	Washer 1/2"	XB-T-49
10	Hex Head Shoulder Bolt	XB-11127
11	Washer 5/8"	XB-T-199
12	Lock Indicator	XD-11121
13	Cotter Pin 1/8" x 1-1/4"	84261

Item	Description	Part No.
14	Indicator Pin	XB-10996
15	Eccentric Jaw Pin	XA-10971
16	Clinch Pin 3/16" x 1-1/4"	9900170
17	Pocket Insert (Qty 2)	RK-PKT-2
18	Roll Pin 3/16" x 1.15"	9900181
19	Bracket Pin	XE-06356
20	HHCS 1/2" - 20 x 1-1/4"	XB-C-95
21	Locknut 1/2" - 20	XB-T-69-A
22	Air Cylinder	XA-10999
23	HHCS 3/8" - 16 x 1/2"	XB-11027

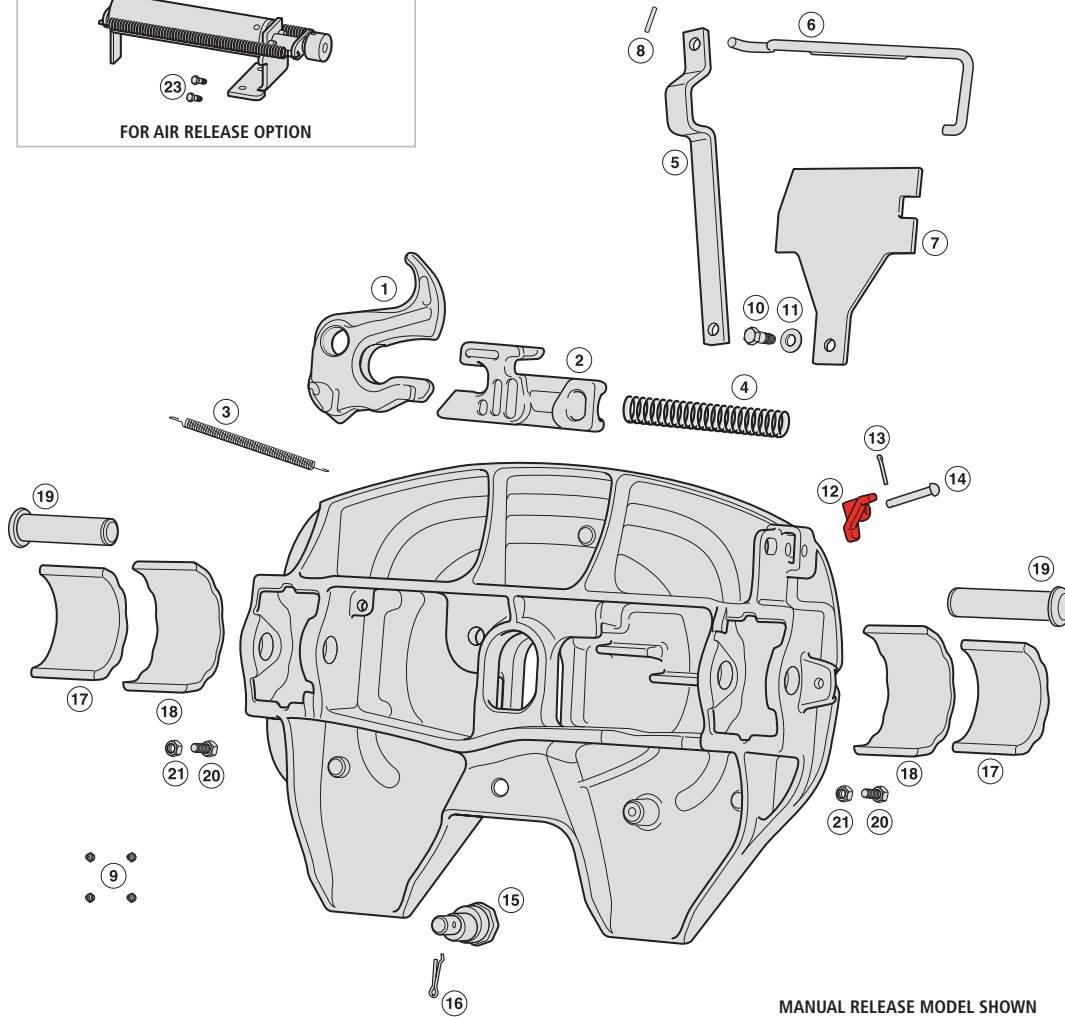
Complete Rebuild Kit
Contains all items required to rebuild entire manual release FWS2
RK-FWS-A-L

Release Handle Kit
RK-10990

Jaw Kit
RK-4109939

Air Cylinder Replacement Kit
RK-10999

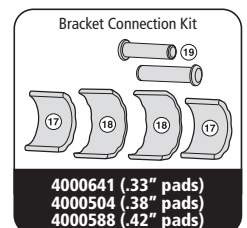
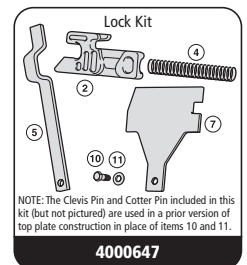
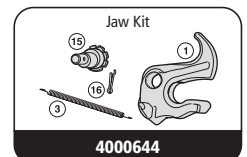
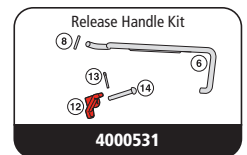
HOLLAND SIMPLEX SE SERIES PARTS LIST



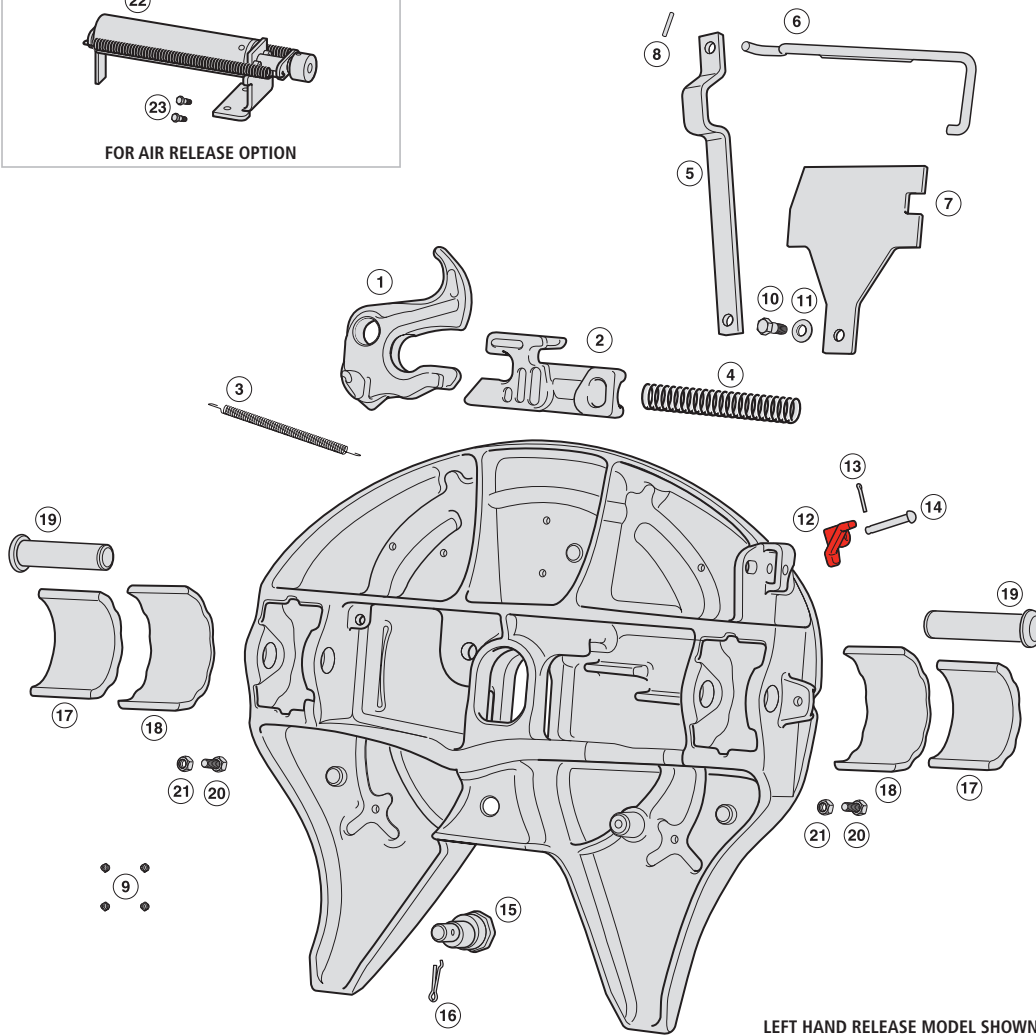
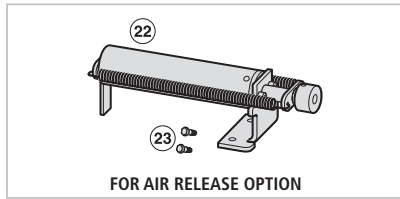
MANUAL RELEASE MODEL SHOWN

Item	Description	Part No.
1	Jaw	XA-4109939
2	Lock	4109931
3	Jaw Return Spring	1200101
4	Lock Spring	1200706
5	Lever Bar	4100373
6	Handle	4100420
7	Cover Plate	XA-10969
8	Roll Pin	9900181
9	Grease Fitting	84787
10	Hex Head Shoulder Bolt	XB-11127
11	Washer 5/8"	XB-T-199
12	Lock Indicator	4100294
13	Cotter Pin 1/8" x 1-1/4"	84261
14	Indicator Pin	5400711
15	Eccentric Jaw Pin	4109921

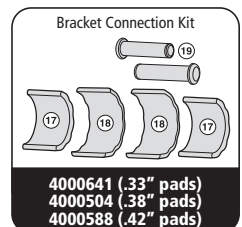
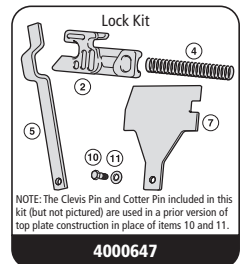
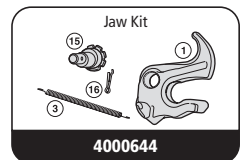
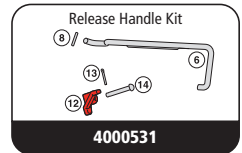
Item	Description	Part No.
16	Clinch Pin 3/16" x 1-1/4"	9900170
17	.33" Bracket Insert (Qty 2)	4000640
	.38" Bracket Insert (Qty 2)	4000528
	.42" Bracket Insert (Qty 2)	4000587
18	Bracket Shoe	4100328
19	Bracket Pin	5400705
20	HHCS 1/2" - 20 x 1-1/4"	XB-C-95
21	Locknut 1/2" - 20	XB-T-69-A
22	Air Cylinder	4100423
23	HHCS 3/8" - 16 x 3/4"	9900182



HOLLAND SIMPLEX II SE SERIES PARTS LIST



LEFT HAND RELEASE MODEL SHOWN



Item	Description	Part No.
1	Jaw (LH)	XA-4109939
	Jaw (RH)	4109940
2	Lock (LH)	4109931
	Lock (RH)	4109809
3	Jaw Return Spring	1200101
4	Lock Spring	1200706
5	Lever Bar	4100373
6	Handle (LH / Air Release)	4100420
	Handle (RH)	4100448
7	Cover Plate	XA-10969
8	Roll Pin	9900181
9	Grease Fitting	84787
10	Hex Head Shoulder Bolt	XB-11127
11	Washer 5/8"	XB-T-199
12	Lock Indicator	4100294

Item	Description	Part No.
	Lock Indicator (RH)	4300312
13	Cotter Pin 1/8" x 1-1/4"	84261
14	Indicator Pin	5400711
15	Eccentric Jaw Pin	4109921
16	Clinch Pin 3/16" x 1-1/4"	9900170
17	.33" Bracket Insert (Qty 2)	4000640
	.38" Bracket Insert (Qty 2)	4000528
	.42" Bracket Insert (Qty 2)	4000587
18	Bracket Shoe	4100328
19	Bracket Pin	5400705
20	HHCS 1/2" - 20 x 1-1/4"	XB-C-95
21	Locknut 1/2" - 20	XB-T-69-A
22	Air Cylinder	4100423
23	HHCS 3/8" - 16 x 3/4"	9900182

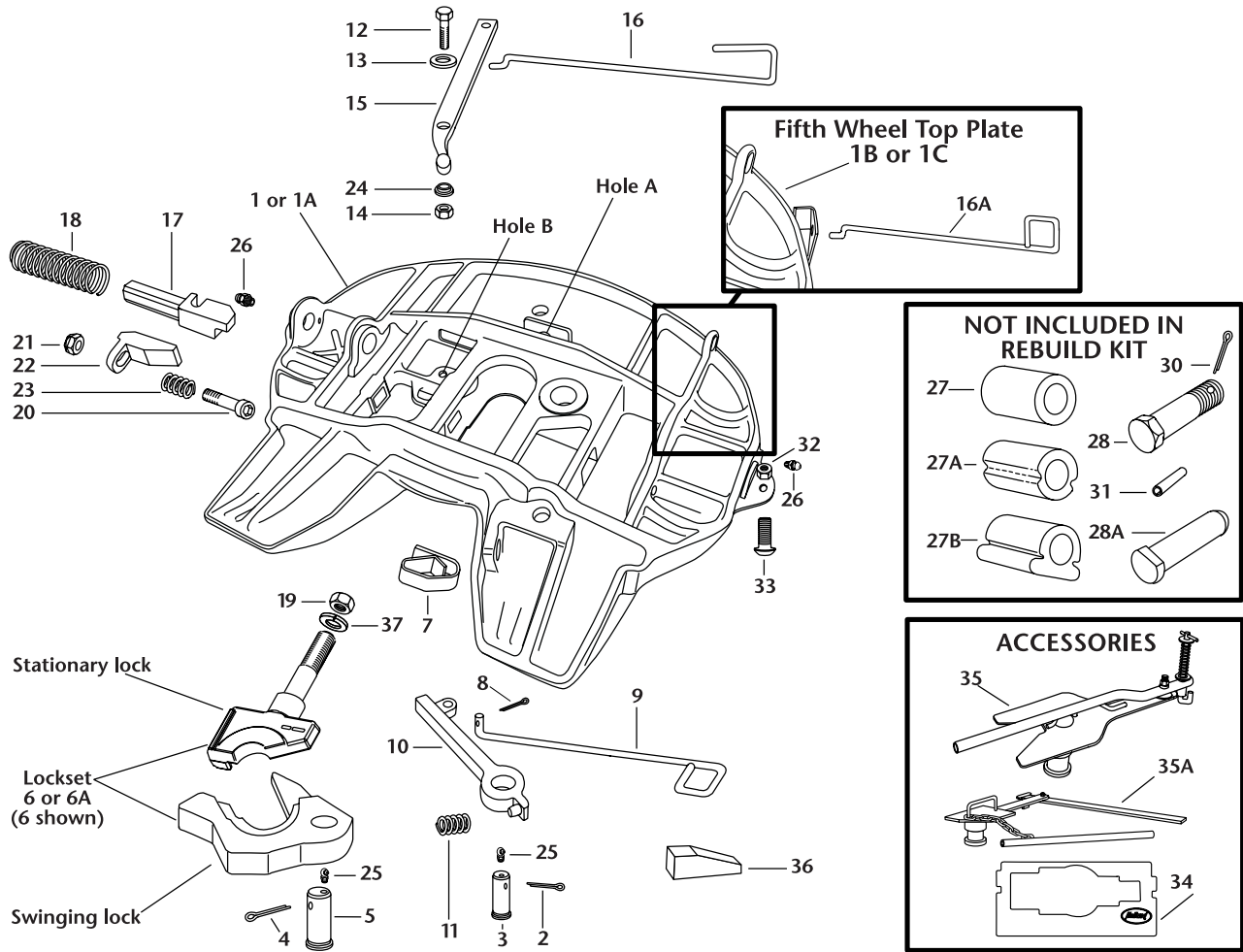
HOLLAND SIMPLEX KITS

Current Simplex Fifth Wheels & Sliders

ITEM NO.	FIFTH WHEEL MODEL	SIMPLEX SE	SIMPLEX SE TOUCHLOC	SIMPLEX II SE	SIMPLEX II SE TOUCHLOC	SIMPLEX II SE RH* (RIGHT-HAND)	SIMPLEX II RH (RIGHT-HAND)	SIMPLEX YARD TRACTOR (SPOTTER)
1	Fifth Wheel Sub-Assembly	1040 2727 1040 2720	1060 2720	410 2727 410 2720	9502 720	1120 2720	1120 2700	4100 129 4100 219
2	Serial Number Prefix-	S1LS-	S1LT-	S2LS-	S2LT-	S2RS-	SR-	SA-
3	Replaced by Simplex Model	NA	NA	NA	NA	NA	II SE RH	NA
Kit Names and Numbers								
4	Handle Kit (handle part number)	4000 507 (4100 382)	4000 531 (4100 420)	4000 507 (4100 382)	4000 531 (4100 420)	4000 646 (4100 448)	4000 512 (4100 441)	NA
5	Alternate Handle Kit (45° chamfer) (handle part number)	4000 531 (4100 420)	NA	4000 531 (4100 420)	NA	NA	NA	NA
6	Jaw w/ Standard Pin	4000 644	4000 644	4000 644	4000 644	4000 645	4000 503	4000 503
7	Jaw w/ Oversized Pin	NA	NA	NA	NA	NA	4000 523	4000 523
8	Jaw & Return Spring Retrofit	NA	NA	NA	NA	NA	4000 540	NA
9	Kingpin Gauge (Jaw Adjustment Tool)	4000 171	4000 171	4000 171	4000 171	4000 171	4000 171	4000 171
10	Lock	4000 647	4000 647	4000 647	4000 647	4000 648	4000 574	4000 574
11	** Standard pad: 0.38" thickness	4000 504	4000 504	4000 504	4000 504	4000 504	4000 504	NA
12	** Large pad: 0.42" thickness	4000 588	4000 588	4000 588	4000 588	4000 588	4000 588	NA
13	** Small Pad: 0.33" thickness	4000 641	4000 641	4000 641	4000 641	4000 641	4000 641	NA
14	** Simplex RH Pad: 0.58" thickness	NA	NA	NA	NA	NA	NA	4000 505
15	** Castloc & Castloc II	NA	NA	NA	NA	NA	NA	NA
16	** 400C	NA	NA	NA	NA	NA	NA	NA
17	Pad, Standard: 0.38" thickness	4000 528	4000 528	4000 528	4000 528	4000 528	4000 528	NA
18	Pad, Large: 0.42" thickness	4000 587	4000 587	4000 587	4000 587	4000 587	4000 587	NA
19	Pad, Small: 0.33" thickness	4000 640	4000 640	4000 640	4000 640	4000 640	4000 640	NA
20	Pad, Simplex RH: 0.58" thickness	NA	NA	NA	NA	NA	NA	4000 529
21	Touchloc Air Cylinder	NA	4000 273	NA	4000 273	NA	NA	4100 304
22	Shims, Poly (Castloc Series)	NA	NA	NA	NA	NA	NA	NA
23	Shims, Steel - weld to bracket	NA	NA	NA	NA	NA	NA	NA
Bulk Kits - Individual Parts (Quantity/Kit)								
24	Handle (5)	B4100 382	NA	B4100 382	NA	NA	B4100 441	NA
25	Indicator (5) (10 for 400C)	B4101 250	NA	B4101 250	NA	B4100 428	B4100 428	NA
26	Handle (45° Chamfer) (5)	B4100 420	B4100 420	B4100 420	B4100 420	NA	NA	NA
27	Indicator (45° Chamfer) (5)	B4100 294	B4100 294	B4100 294	B4100 294	NA	NA	NA
28	Lock Spring (5)	B1200 706	B1200 706	B1200 706	B1200 706	B1200 706	B1200 706	B1200 706
29	Jaw Return Spring (10)	B1200 101	B1200 101	B1200 101	B1200 101	B1200 101	NA	NA
30	Poly Shoes (10)	B4100 328	B4100 328	B4100 328	B4100 328	B4100 328	B4100 328	NA
31	Steel Shoes (10)	NA	NA	NA	NA	NA	NA	B4109 811
32	Pads, Standard, .38" (20)	B4100 329	B4100 329	B4100 329	B4100 329	B4100 329	B4100 329	NA
33	Pads, Large, .42" (20)	B4100 376	B4100 376	B4100 376	B4100 376	B4100 376	B4100 376	NA
34	Pads, Small, .33" (20)	B4100 339	B4100 339	B4100 339	B4100 339	B4100 339	B4100 339	NA
35	Pads, Simplex RH, .58" (20)	NA	NA	NA	NA	NA	NA	B4100 358
36	Poly Shims (20)	NA	NA	NA	NA	NA	NA	NA
37	Steel Shims (20) - weld to bracket	NA	NA	NA	NA	NA	NA	B4100 655
SLIDER MODEL		SE, TAPERLOC SE, TAPERLOC XL	TAPERLOC (4" INCREMENT)	INBOARD INTEGRAL				
38	Serial Number Prefix-	TL2-	TL-	IBS-				
Kit Names and Numbers								
39	Air Cylinder	4300 228	4300 162	4300 610				
40	Bolt-on removable stops	4300 227***	4300 209	4300 226***				
41	Slide Bracket air 6.81"	4300 298	4300 165	4300 596***				
42	Slide Bracket air 7.75"	4300 299	4300 166	4300 597***				
43	Slide Bracket air 8.75"	4300 300	4300 167	4300 598***				
44	Slide Bracket air 9.75"	NA	4300 172	NA				
45	Slide Bracket manual 6.81"	NA	4300 204	NA				
46	Slide Bracket manual 7.75"	NA	4300 205	NA				
47	Slide Bracket manual 8.75"	NA	4300 206	NA				
48	Slide Bracket manual 9.75"	NA	4300 173	NA				

, bracket connection; *, check for availability; NA, not applicable.

FW070 SERIES PARTS LIST



ITEM	PART NO.	NO.	PART NAME	ITEM	PART NO.	NO.	PART NAME
1	XA-71-D	1	Fifth wheel top plate for 2" kingpin	17	XA-1104	1	Plunger
1A	XA-71-O	1	Fifth wheel top plate for 3.5" kingpin	18	XB-1007	1	Compression spring (red)
1B	XA-71-03706	1	Fifth wheel top plate - 2" kingpin for FW2570-7103 series or FW2570-7113 series only	19	XB-04473	1	Jam nut 1" - 14
1C	XA-03711	1	Fifth whl. top plate - 3.5" kingpin for FW2570-7103 or FW2570-7113 series only	20	XB-09407	1	Socket head cap screw
2	XB-5	1	Cotter pin 1/4" x 2"	21	XB-HNH-58-C	1	Lock nut 5/8" - 11
3	XA-1016-C	1	Lock pin	22	XD-3123-1	1	Adjusting wedge
4	XB-T-60	1	Cotter pin 1/4" x 2.5"	23	XB-403	1	Compression spring
5	XA-FW-108-D	1	Lock pin	24	XB-02949	1	Nylon bushing
6	XA-FW-104-D	1	Lock set for 2" kingpin	25	XB-0769	2	Lube fitting (90°)
6A	XA-FW-104-03	1	Lock set for 3.5" kingpin	26	XB-H-38	2	Lube fitting
7	XA-FW-128	1	Spring	* 27	XB-1604-9	2	Bushing (prior to 5/82)
8	XB-16	1	Cotter pin 1/8" x 1"	* 27A	XB-0012-1	2	Bushing (5/82 - 9/87)
9	XA-FW-78	1	Secondary lock release handle	* 27B	XB-0012-3	2	Bushing (after 9/87)
10	XA-FW-137-2	1	Secondary lock arm	* 28	XA-2632	2	Pivot bolt (prior to 11/86)
11	XB-1028-2	1	Spring	* 28A	XE-02759	2	Pivot pin (after 11/86)
12	XB-2083	1	Hex hd. bolt 1/2" - 20 x 1.75"	* 29	XB-T-9N-2	2	Nut (prior to 11/86) (not shown)
13	XB-T-49	1	Plain washer	* 30	XB-T-60	2	Cotter pin (prior to 11/86)
14	XB-T-69-A	1	Hex lock nut	* 31	XB-21-S-375-1750	2	Roll pin
15	XA-1005-FH	1	Release lever	* 32	XB-T-69-A	2	Hex lock nut
16	XA-1117-H	1	Release handle	* 33	XB-08002	2	Socket button head cap screw
16A	XA-03715	1	Release handle	* 34	TF-0110	1	Kingpin gage
				* 35	TF-TLN-5001	1	2" kingpin lock tester
				* 35A	TF-TLN-1500	1	3.5" kingpin lock tester
				36	XA-05768-1	1	Adjusting block
				37	XB-10327	1	Lock washer, 1"

* Not included in Rebuild Kits

XA-351-03505 AND XA-351-UB PARTS LIST

Air Cylinder Table	
Top Plate Assembly	Air Cylinder Components
XA-351-03505	Items 20 and 22A
XA-351-03505-2	Items 20 and 22A
XA-351-03505-3	Item 22C, omit item 20
XA-351-03505-4	Items 20 and 22B
XA-351-UB	Items 20 and 22A

**Bracket Components
XA-351-03505 Series
ONLY (not included)
(RK-04413-1)**

30
31
32
(2 of each required)

Accessories (not included)

33
34

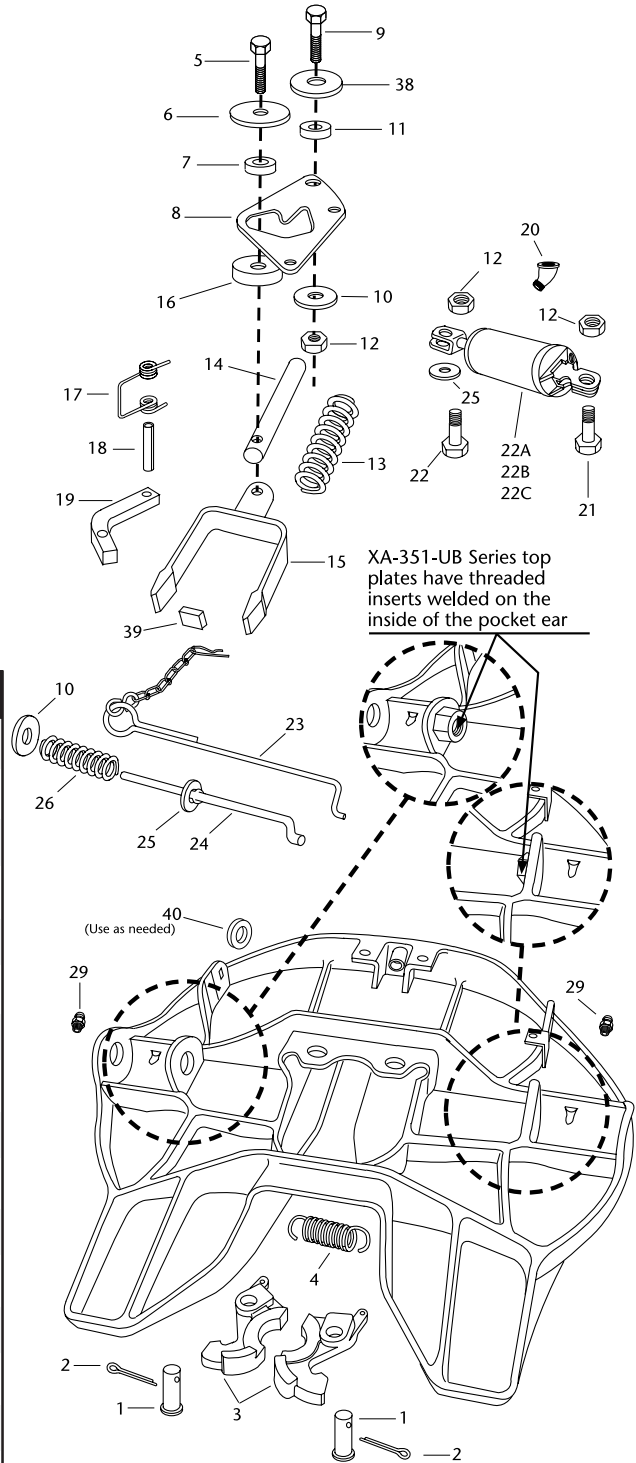
**Bracket Components
XA-351-UB Series
ONLY (not included)**

35
36
37
(2 of each required)

XA-351-03505 Series ONLY

27
28

ITEM NO.	PART NO.	NO. REQ'D.	PART NAME
• 1	XA-07292-T	2	Lock pin
• 2	XB-5	2	Cotter pin (1/4" x 2")
• 3	XA-08332-1	1	Lock jaw set
• 4	XB-07628	1	Extension spring
> 5	XB-10035	1	Hex head cap screw 5/8"-18 x 2"
> 6	XB-07431	1	Washer 5/8" I.D. x 2 3/4" O.D. x 3/4" thick
> 7	XA-1507-1	1	Roller 5/8" I.D.
> 8	XA-08988	1	Cam plate
9	XB-2083	1	Hex head cap screw 1/2"-20 x 1 1/4"
> 10	XB-08559	2	Washer 1/2" I.D. x 1 1/4" O.D.
11	XA-1029	1	Roller 1/2" ID
> 12	XB-T-69-A	3	Locknut 1/2"-20 (2 add'l req. for brackets)
13	XB-1505	1	Yoke spring
> 14	XA-1706-1	1	Yoke shaft
15	XA-07295	1	Yoke
> 16	XA-09040	1	Cam spacer
17	XB-2149	1	Torsion spring
18	XB-21-S-500-2750	1	Roll pin 1/2" x 2 1/4"
19	XA-3528	1	Secondary lock
20	XB-698	1	45° street elbow
> 21	XB-T-89-5	2	HHCS 1/2"-20 x 1 1/4" LG.
22A*	XA-2524-R-13-1	1	Air cylinder
22B*	XA-2524-R-13-2	1	Air cylinder
22C*	XA-2524-R-13-3	1	Air cylinder
23	XA-3546	1	Secondary lock handle
> 24	XA-09041	1	Release handle
> 25	XB-PW-1732-1-116	2	Washer 1/2" I.D. x 1" O.D.
> 26	XB-07291	1	Compression spring
27**	XA-03423	2	Bracket bearing
28**	XA-0268	4	Bearing stop block
29	XB-H-38	2	Grease fitting
30***	XA-2016	2	Bracket pin
> 31***	XB-21-S-375-1750	2	Roll pin 3/8" x 1 1/4"
32***	XB-0011	2	Rubber bushing
33***	TF-0110	1	Kingpin gage
34***	TF-TLN-5001	1	Kingpin lock tester
35***	XB-BR-118-C-7	2	HHCS 1 1/8"-7 x 7"
36***	XB-E-536	2	Washer, lock 1 1/8"
37***	XB-1604-5	2	Rubber Bushing
> 38	XB-1030	1	Washer 1/2" I.D. x 2 1/4" O.D.
> 39	XA-09043	1	Yoke stop
> 40	XA-09039	1	Handle guide
> 41	XB-02967	1	Never-Seez (not shown)



All parts listed are included in RK-351-03505 and RK-351-UB, except items 39 and 40 and as listed below:

- Parts included in RK-351-08332-1

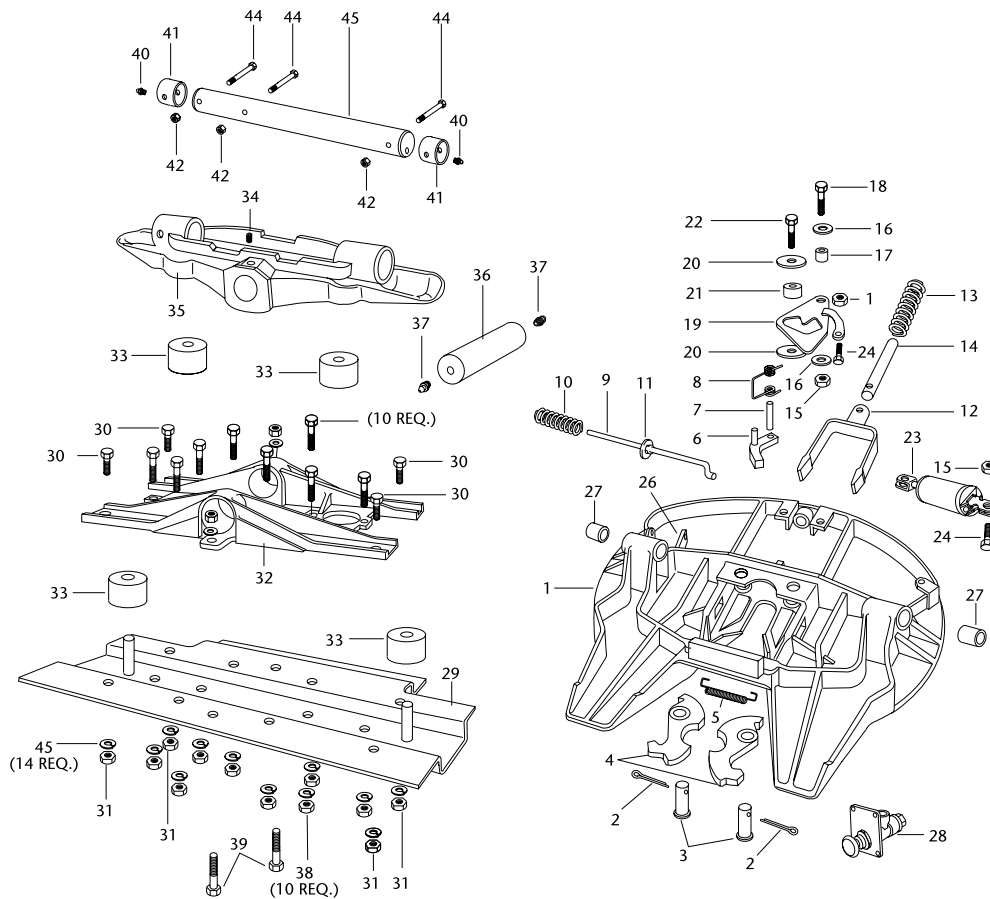
- > Parts included in RK-09063

* See Air Cylinder Table above for proper air cylinder components.

** Included in RK-351-03505 ONLY.

*** Not included in repair kits, except where noted.

FW1560-C PARTS LIST

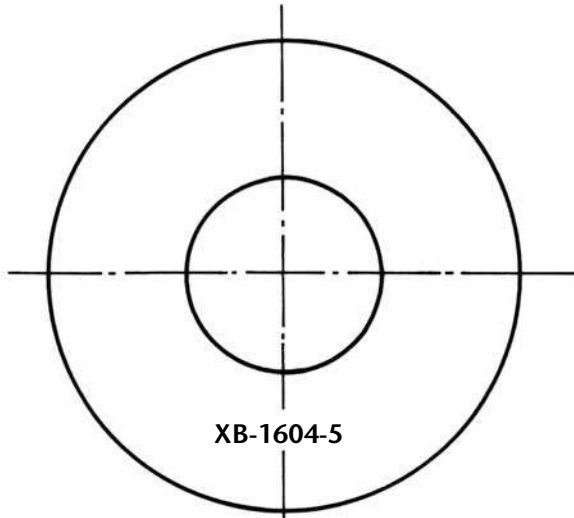


ITEM	PART NO.	NO. REQ'D	DESCRIPTION	ITEM	PART NO.	NO. REQ'D.	DESCRIPTION
*1	XA-1501-CA1	1	5th wheel sub assy. complete less base & shaft	24	XB-T-89-5	2	HHCS, 1/2"-20 x 1 3/4" LG
2	XB-5	2	Cotter pin	25	XA-1512	1	Cylinder support
3	XA-1313	2	Lock pins	26	XA-1532	1	Lever bracket
4	XA-1704-X	1	Lock set	*27	XB-03429	2	Bearing
5	XB-GT-13-1	1	Extension spring	*28	XB-2556	1	Air control valve
6	XA-3542-R	1	Secondary lock sub assy.	*29	XA-H-15-C-60	1	Mounting plate sub assy.
7	XB-21-S-500-2750	1	Rolled pin	*30	XB-9	4	Hex bolt 5/8" -18 x 1 1/2"
8	XB-2149	1	Torsion spring	*31	XB-E-540	4	Hex nut 5/8" -18
9	XA-1707-5	1	Handle	*32	XA-61-A	1	Rocker bed
10	XB-1028-1	1	Spring	*33	XB-70	4	Rubber cushion
11	XB-PW-1732-1-116	1	Washer	*34	XB-2896	1	Set screw
12	XA-1703-F	1	Yoke	*35	XA-62	1	Rocker arm
13	XB-1505	1	Spring	*36	XA-63-1	1	Rocker pin
14	XA-1706-1	1	Yoke shank	*37	XB-H-38	2	Lube fitting
15	XB-T-69-A	3	Lock nut 1/2" -20	*38	XB-1316	10	Hex nut 5/8" -11
16	XB-T-49	2	Plain washer	*39	XB-T-97	10	Hex bolt 5/8" -11 x 2 1/2"
17	XA-1029	1	Roller	*40	XB-767	2	Lube fitting
18	XB-2083	1	Hex bolt 1/2" -20 x 1 3/4"	*41	XA-H-72-A	2	Collar
19	XA-1705-7A	1	Cam plate	*42	XB-338	3	Nut 3/8" -16
20	XB-1030-1	2	Washer	*43	XA-64	1	Shaft
21	XA-1507-1	1	Roller	*44	XB-03437	3	Hex bolt 3/8" -16 x 3 1/2"
22	XB-CX-58-F-134	1	Hex bolt 5/8" -18 x 1 3/4"	*45	XB-T-99	14	Lock washer
23	XA-2524-R-4-1	1	Air cylinder	46	XB-02967	1	NeverSeez (not shown)

* Items are not included in rebuild kit RK-65005.

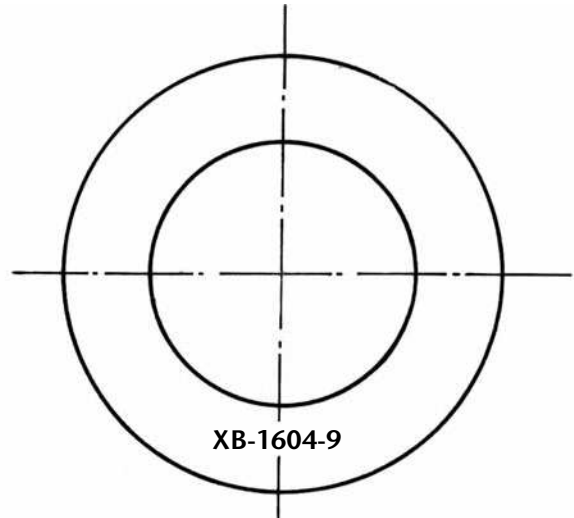
RUBBER UPSHOCK CUSHIONS

Illustrations shown at 90% of actual size



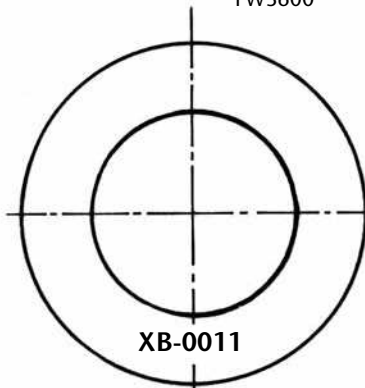
XB-1604-5

FW2000
FW3500
FW3600
OLD STYLE
Mfg. prior to May, 1982



XB-1604-9

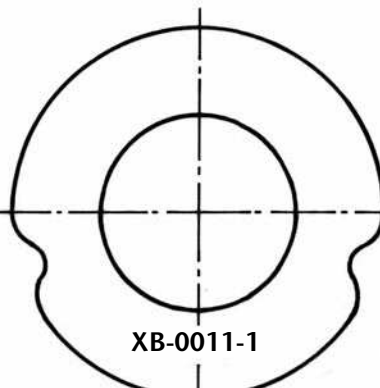
FW0070
OLD STYLE
Mfg. prior to May, 1982



XB-0011

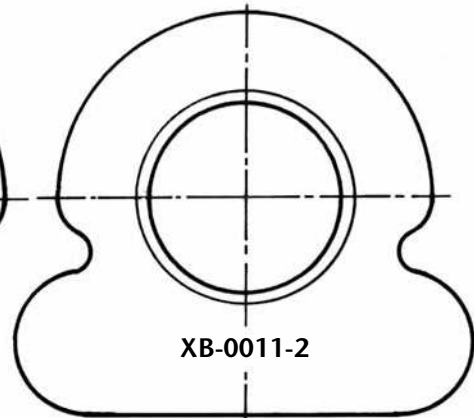
FW2000 KOMPENSATOR
FW3500 KOMPENSATOR
FW3600 KOMPENSATOR
FW3501-UB

CURRENT



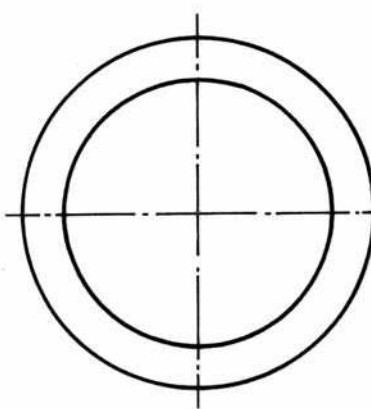
XB-0011-1

FW2000
FW3500
FW3600
Mfg. May, 1982 - June, 1987

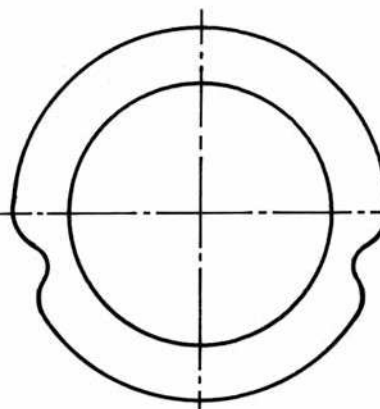


XB-0011-2

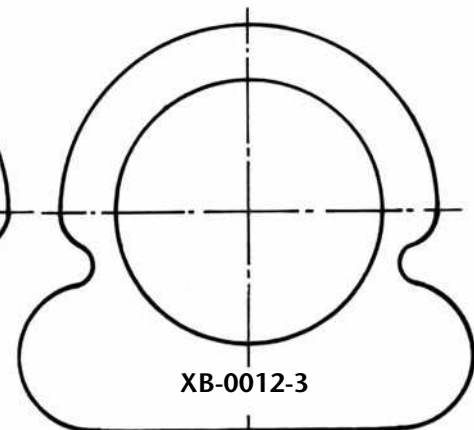
FW2000
FW3500
FW3600
CURRENT



FW0070 KOMPENSATOR
CURRENT



FW0070
Mfg. May, 1982 - Oct. 1987



XB-0012-3

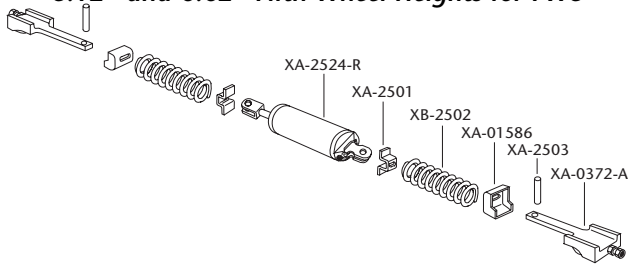
FW0070
AVAILABLE OCT. 1987

FW8, FW35, FW2500 & FW2535 SERIES SLIDE BRACKET PARTS

Manufactured **AFTER** May 1, 1982

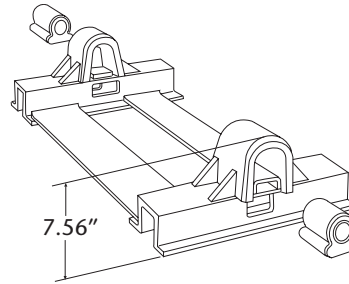
AIR RELEASE

8.62" and 7.62" Fifth Wheel Heights
8.12" and 6.62" Fifth Wheel Heights for FW8



AIR & MANUAL RELEASE

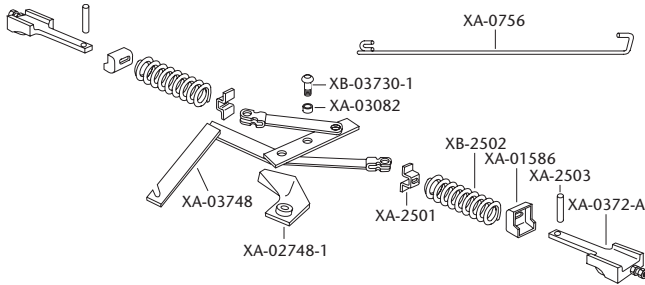
8.62" Fifth Wheel Heights



Brackets are available only as part of complete bracket assemblies – XA-7001 (air) or XA-7011 (manual). Rubber bushings included.

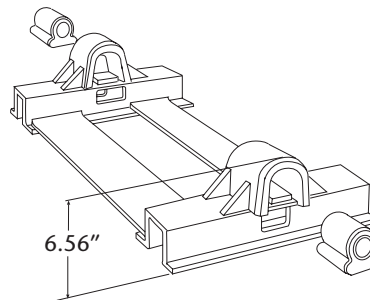
MANUAL RELEASE

All Fifth Wheel Heights



AIR & MANUAL RELEASE

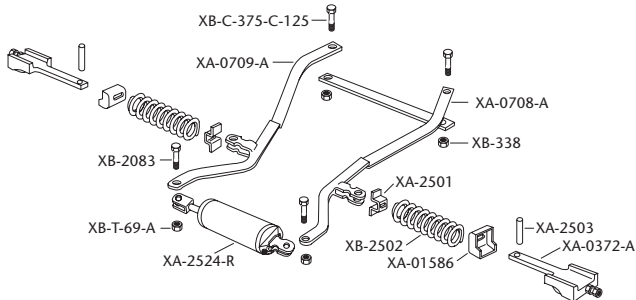
7.62" Fifth Wheel Heights



Brackets are available only as part of complete bracket assemblies – XA-7002 (air) or XA-7012 (manual). Rubber bushings included.

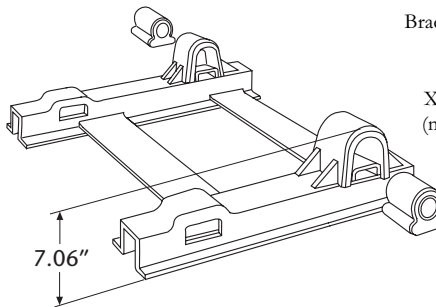
AIR RELEASE

8.12" and 6.62" Fifth Wheel Heights for FW35



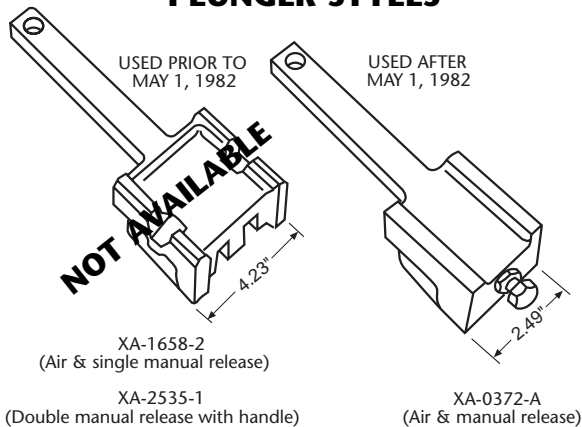
AIR & MANUAL RELEASE

8.12" Fifth Wheel Heights



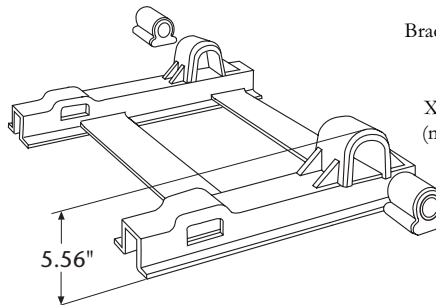
Brackets are available only as part of complete bracket assemblies – XA-7301 (air) or XA-7311 (manual). Rubber bushings included.

PLUNGER STYLES



AIR & MANUAL RELEASE

6.62" Fifth Wheel Heights



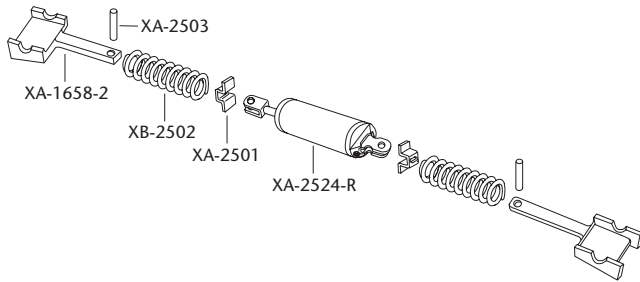
Brackets are available only as part of complete bracket assemblies – XA-7003 (air) or XA-7013 (manual). Rubber bushings included.

FW2500-H, FW2535-H & FW2536-H SERIES SLIDE BRACKET PARTS

Manufactured **PRIOR** May 1, 1982

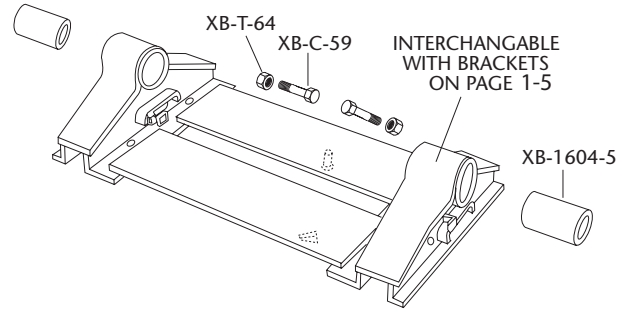
AIR RELEASE

8.69" and 7.69" Fifth Wheel Heights



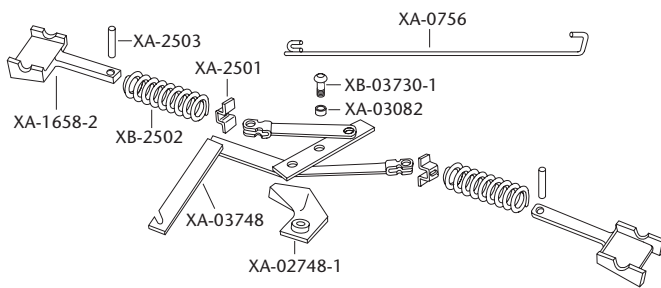
AIR & SINGLE MANUAL RELEASE

8.69" & 7.69" Fifth Wheel Heights



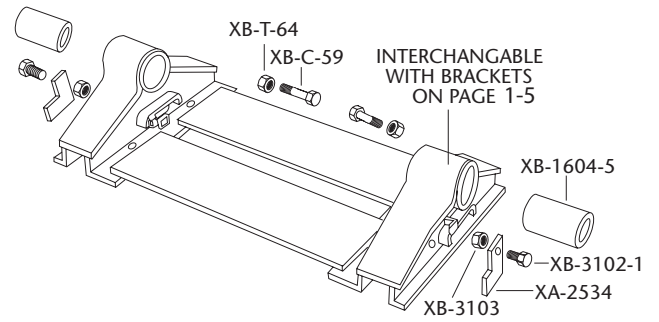
SINGLE MANUAL RELEASE

All Fifth Wheel Heights



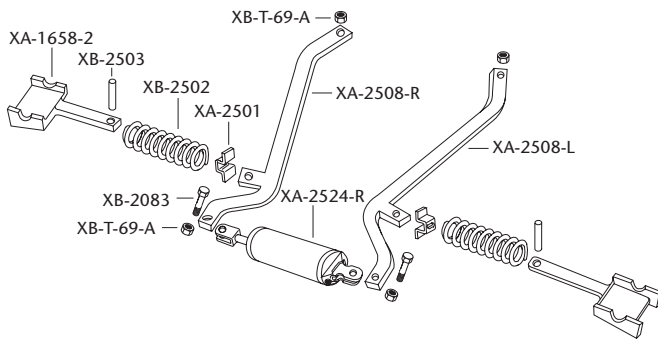
DOUBLE MANUAL RELEASE

8.69" & 7.69" Fifth Wheel Heights



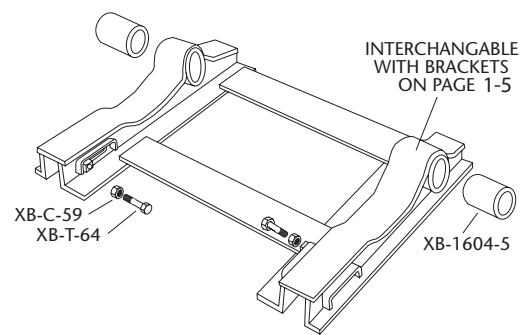
AIR RELEASE

6.75" Fifth Wheel Heights



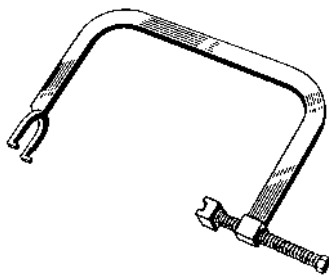
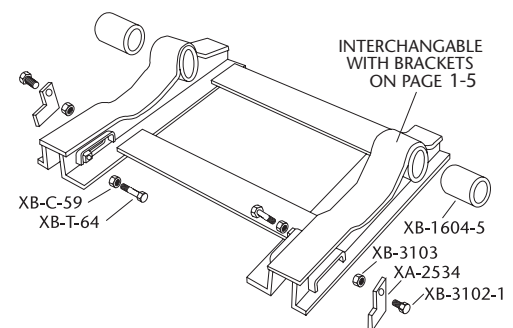
AIR & SINGLE MANUAL RELEASE

6.75" Fifth Wheel Heights



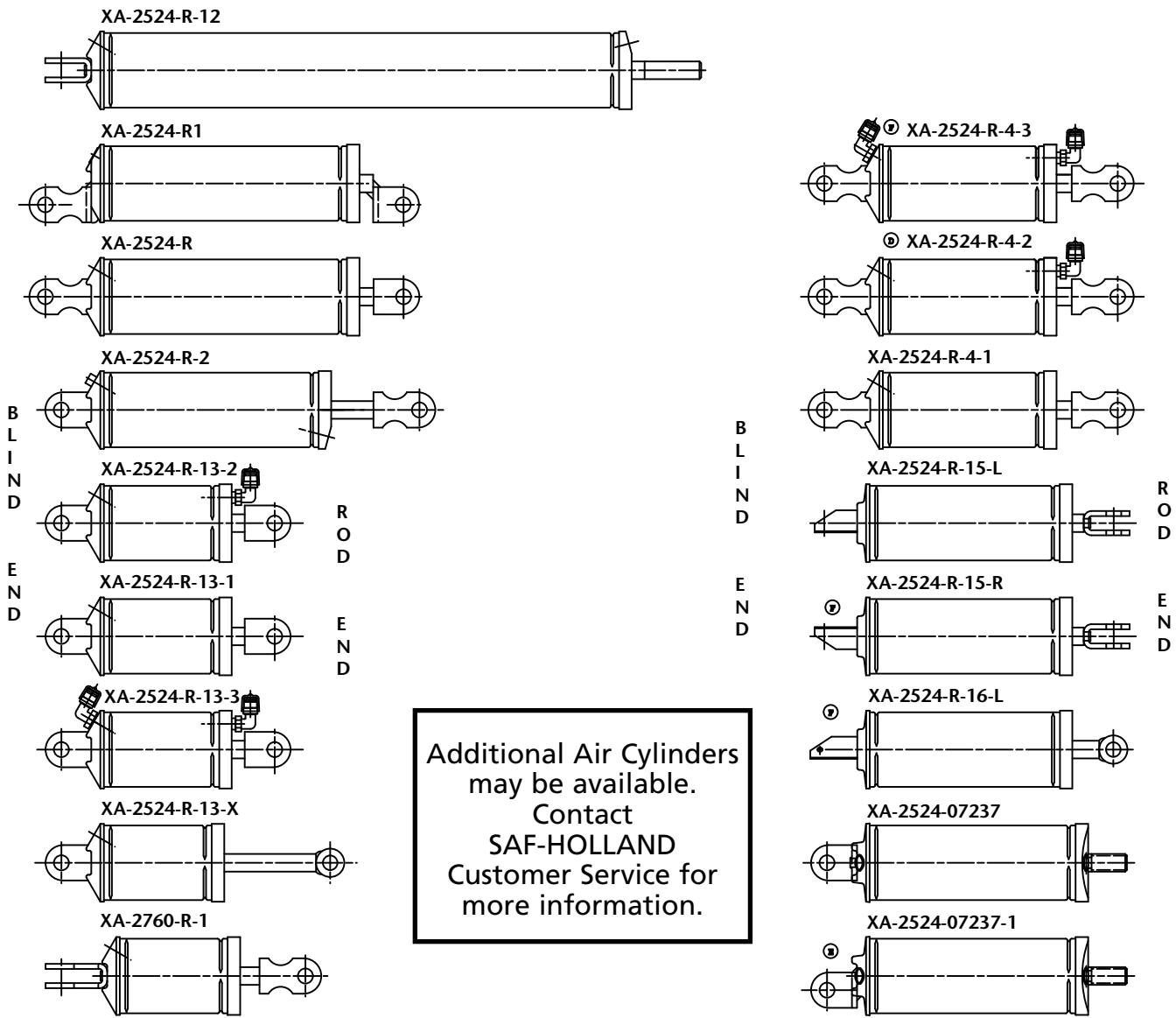
DOUBLE MANUAL RELEASE

6.75" Fifth Wheel Heights



TF-TLN-2500
Slider Spring Compressor
Slider Bracket
Maintenance Tool

FIFTH WHEEL REPLACEMENT AIR CYLINDERS



Additional Air Cylinders
 may be available.
 Contact
SAF-HOLLAND
 Customer Service for
 more information.

HOLLAND PART NO.	HOLE-TO-HOLE DIM.		STROKE		AIR INLET	USED ON	
	EXTENDED	RETRACTED	REF	REF			
XA-2524-R-13-2	9.649"	9.464"	7.613"	7.473"	2.02"	Blind End	FW1500, FW3500
XA-2524-R-13-3	9.649"	9.464"	7.613"	7.473"	2.02"	Blind End	FW1500, FW3500
XA-2524-R-12	38.742"	38.556"	22.680"	22.496"	16.06"	Both Ends	TF-675
XA-2524-R	19.650"	19.171"	12.750"	12.506"	6.77"	Blind End	Sliding 5th Wheels
XA-2524-R-2	18.560"	18.171"	12.750"	12.506"	5.74"	Rod End	FW0070, FW0100, & FW2080
XA-2524-R-4-3	14.108"	13.863"	10.452"	10.252"	3.64"	Blind End	XA-2801-03185-4
XA-2524-R-4-2	14.108"	13.863"	10.452"	10.252"	3.64"	Blind End	XA-2801-03185-3
XA-2524-R-4-1	14.108"	13.863"	10.452"	10.252"	3.64"	Blind End	FW1560 Series
XA-2524-R-13-X	11.690"	11.280"	9.570"	9.385"	1.99"	Blind End	FW2800 Series, FW2900
XA-2760-R-1	10.840"	10.361"	8.720"	8.476"	1.99"	Blind End	FW1580
XA-2524-R-13-1	9.649"	9.464"	7.613"	7.473"	2.02"	Blind End	FW1500, FW3500
XA-2524-R-16-L	13.95" REF	9.05" REF	4.89"			Blind End	OPT. CODE 80
XA-2524-R-15-R	13.95" REF	9.05" REF	4.89"			Blind End	XA-3501-06533
XA-2524-R-15-L	13.95" REF	9.05" REF	4.89"			Blind End	XA-3501-06533
XA-2524-07237-1	15.782"	15.598"	10.625"	10.468"	5.13"	Both Ends	FW503 (Obsolete)
XA-2524-07237	15.782"	15.598"	10.625"	10.468"	5.13"	Both Ends	FW503 (Obsolete)
XA-2524-R1	19.650"	19.171"	12.750"	12.506"	6.77"	Blind End	Warranty

HOLLAND FIFTH WHEEL KIT 'QUICK LIST'

PRODUCT	TOP PLATE	REBUILD KIT	LOCK GUARD	LOCK KIT	HANDLE KIT	BUSHING/ PIN KIT	AIR CYLINDER
FW3500 (Stationary)	XA-3501-A-LH (LH) XA-3501-A-RH (RH)	RK-63501 (LH) RK-63500 (RH)	RK-05329	RK-63503	RK-1707-M (LH) RK-1707-6 (RH)	RK-04413	-
FW2535 (Sliding)	XA-3501-A-LH (LH) XA-3501-A-RH (RH)	RK-63501 (LH) RK-63500 (RH)	RK-05329	RK-63503	RK-1707-M (LH) RK-1707-6 (RH)	RK-04413	XA-2524-R
FW2000 (Stationary)	XA-2009-A-LH (LH) XA-2009-A-RH (RH)	RK-62001 (LH) RK-62000 (RH)	RK-05328	RK-62004	RK-1117-1-L (LH) RK-1117-1 (RH)	RK-04413	-
FW2500 (Sliding)	XA-2009-A-LH (LH) XA-2009-A-RH (RH)	RK-62001 (LH) RK-62000 (RH)	RK-05328	RK-62004	RK-1117-1-L (LH) RK-1117-1 (RH)	RK-04413	XA-2524-R
FW2555 (Sliding)	XA-71-DAS	RK-65014	-	RK-65024	-	-	-
FW2570 (Heavy Duty Sliding)	XA-71-DAS	RK-65014	-	RK-65024	-	-	-
FW35 (Stationary)	XA-351-A-L-P (LH) XA-351-A-P (RH)	RK-351-A-L (LH) RK-351-A (RH)	N/A	RK-351-07296	XA-07151-1	RK-06973-1	-
FW35 (Sliding)	XA-351-A-L-P (LH) XA-351-A-P (RH)	RK-351-A-L (LH) RK-351-A (RH)	N/A	RK-351-07296	XA-07151-1	RK-06973-1	XA-2524-R
FW35-89xx (No-tilt Stationary)	XA-351-A-06-L-P	RK-351-A-L	N/A	-	-	-	-
FW35-7401 (No-tilt Sliding)	XA-351-A-06-L-P	RK-351-A-L	N/A	-	XA-07151-1	RK-06973-1	XA-2524-R
FW35-8401 (No-tilt Sliding)	XA-351-A-06-L-P	RK-351-A-L	N/A	-	XA-07151-1	RK-06973-1	-
FW8 (Stationary)	XA-201-A-L-P (LH) XA-201-A-P (RH)	RK-201-A3-L (LH) RK-201-A3 (RH)	N/A	N/A	N/A	RK-06973-1	-
FW8 (Sliding)	XA-201-A-L-P (LH) XA-201-A-P (RH)	RK-201-A3-L (LH) RK-201-A3 (RH)	N/A	N/A	N/A	RK-06973-1	XA-2524-R
FW17 (Stationary)	XA-17-A-L-P	RK-17-A-L	N/A	RK-17-A-L-P	RK-171-11079	-	-
FW17 (Sliding)	XA-17-A-L-P	RK-17-A-L	N/A	RK-17-A-L-P	RK-171-11079	-	XA-2524-R
FW6700-16B (Air Elevating)	XA-3501-UB	RK-63502	N/A	RK-63504	-	-	-
FW67-16B (Air Elevating)	XA-351-UB-P	RK-351-UB	N/A	-	-	-	-
FW35-03344 (Yard Spotter)	XA-351-03505S	RK-351-03505	N/A	N/A	-	-	XA-2524-R-13-1
FW35-03344-1 (Yard Spotter)	XA-351-03505S	RK-351-03505	N/A	N/A	-	-	XA-2524-R-13-1
FW2870-03184 (Yard Spotter)	XA-2801-03185-1		N/A	RK-03185-1	-	-	XA-2524-R-4-1
FW1560 (Side Oscillating)	XA-1501-CA1S	RK-65005	N/A				
FW0100-D (Heavy Duty (2" KP*))	XA-101-DAS	RK-65012	N/A	RK-65024			N/A
FW0100-0 (Heavy Duty (3.5" KP*))	XA-101-OAS	RK-65013	N/A	RK-65024-1			N/A
FW0070 (Heavy Duty (2" KP*))	XA-71-DAS	RK-65014	N/A	RK-65024			N/A
FW0070 (Heavy Duty (3.5" KP*))	XA-71-OAS	RK-65015	N/A	RK-65024-1			N/A
FW2800-X (Hydraulic Lift)	XA-2801-AX-1S	RK-65021	N/A	N/A			
FW2900-X (Hydraulic Lift)	XA-2801-AX-1S	RK-65021	N/A	N/A			
FW1580		XA-1581-A-1	RK-65006	-	-	-	-
FW2870-03184		XA-2801-03185-1S	RK-03185-1	-	-	-	XA-2524-R-4-1

(LH) Left Hand Release.
(RH) Right Hand Release
KP* Kingpin

The above chart does not represent all models or all available kits. Please refer to the detailed parts information for your specific model for additional information

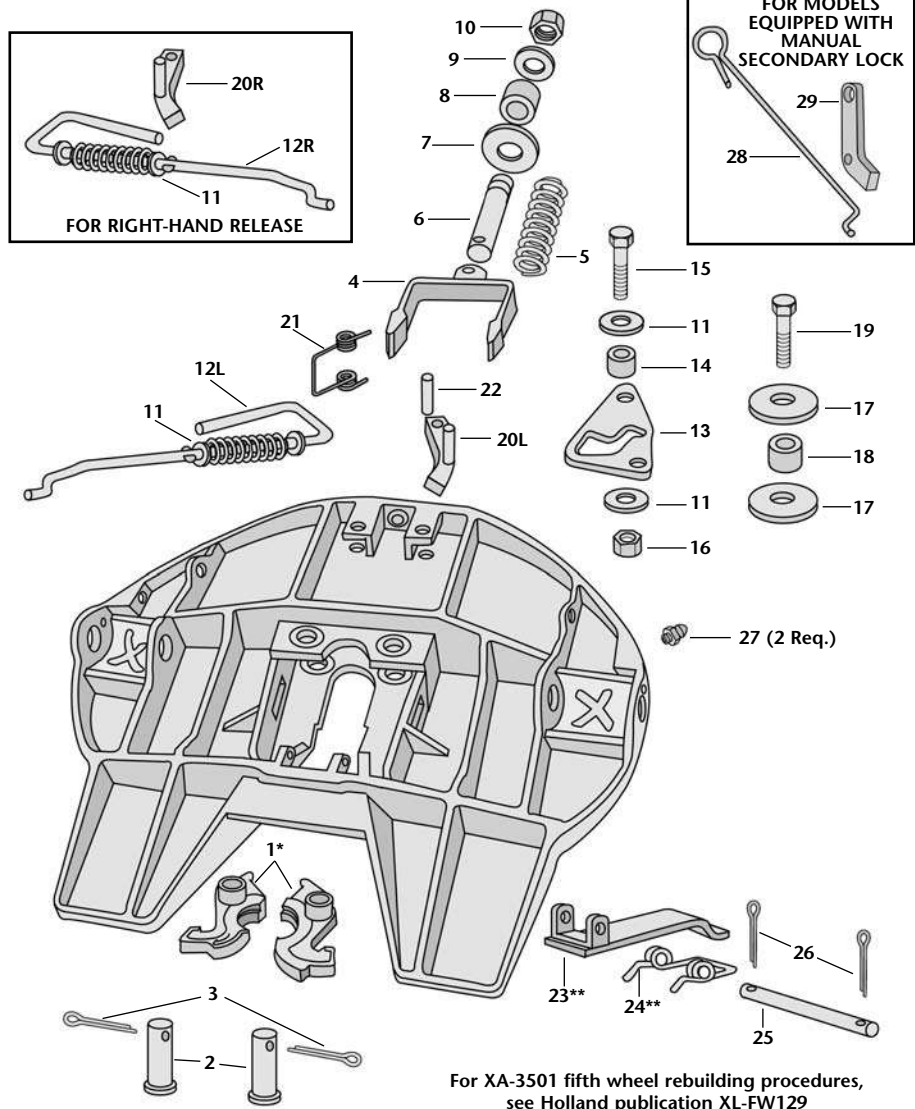
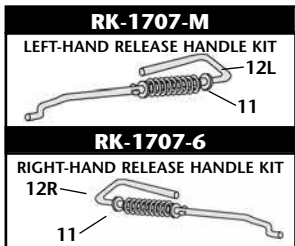
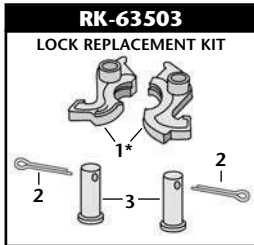
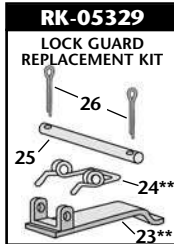
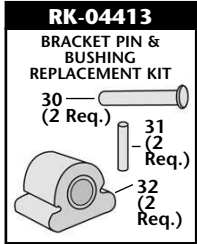
FW3500 SERIES PARTS LIST - Manufactured prior to 6/1/1996



XA-3501 Rebuild Kit

RK-63500: Right-hand Release

RK-63501: Left-hand Release



For XA-3501 fifth wheel rebuilding procedures, see Holland publication XL-FW129

XA-3501 SERIES PARTS LIST

ITEM	PART NO.	NO. REQ'D.	PART NAME
1	XA-1704*	1	Lock Jaws
2	XA-1313	2	Lock Pin
3	XB-5	2	Cotter Pin 1/4" x 2"
4	XA-1703-F	1	Yoke Sub-Assembly
5	XB-1505	1	Spring
6	XA-1706	1	Yoke Shaft
7	XB-02312	1	Lock Adjustment Tag
8	XB-1127	1	Rubber Washer
9	XB-PW-1316-112	1	Washer 1-1/2" OD x 13/16" ID
10	XB-HNH-34-F	1	Locknut 3/4"-16
11	XB-T-49	3	Washer 1-3/4" OD x 9/16" ID
12L	RK-1707-M	1	Left-Hand Release Handle S/A (Part No. (11) must be installed on handle for complete assembly.)
12R	RK-1707-6	1	Right-Hand Release Handle S/A (Part No. (11) must be installed on handle for complete assembly.)
13	XA-1705	1	Cam Plate
14	XA-1029	1	Roller

ITEM	PART NO.	NO. req'd.	PART NAME
15	XB-2083	1	Bolt 1/2"-20 x 1-3/4"
16	XB-T-69-A	1	Locknut 1/2"-20
17	XB-1030-1	2	Washer
18	XA-1507	1	Roller
19	XB-CX-58-F-134	1	Bolt 5/8"-18 x 1-3/4"
20L	XA-3542-L	1	Secondary Lock, Left-Hand
20R	XA-3542-R	1	Secondary Lock, Right-Hand
21	XB-2149	1	Torsion Spring
22	XB-21-S-500-2750	1	Roll Pin
23	XA-3514**	1	Lock Guard
24	XB-1044**	1	Torsion Spring
25	XA-1055	1	Pin
26	XB-16	2	Cotter Pin 1/8" x 1"
27	XB-H-38	2	Grease Fitting
28	XA-3542-M	1	Manual Secondary Lock Handle
29	XA-3528	1	Manual Secondary Lock
30	XA-2016	2	Bracket Pin
31	XB-21-S-375-1750	2	Roll Pin
32	XB-0011-2	2	Rubber Bushing

* Not available individually; order RK-63503

** Not available individually; order RK-05329

FW2000 SERIES PARTS LIST - Manufactured prior to 1997



XA-2009 Rebuild Kit

RK-62000: Right-hand Release

RK-62001: Left-hand Release

RK-04413

BRACKET PIN AND BUSHING KIT

30 (2 Req.) —

31 (2 Req.) —

32 (2 Req.) —

RK-62004

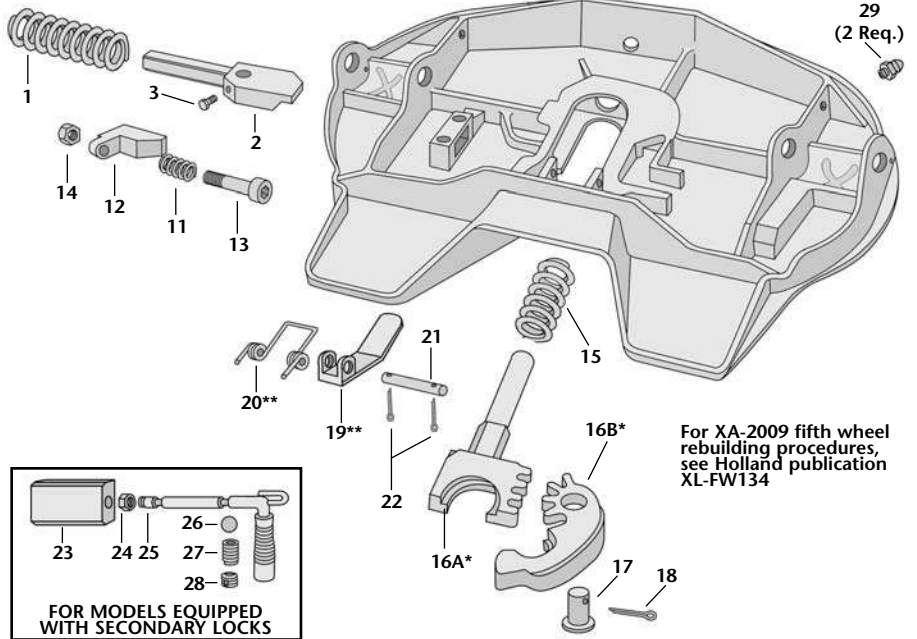
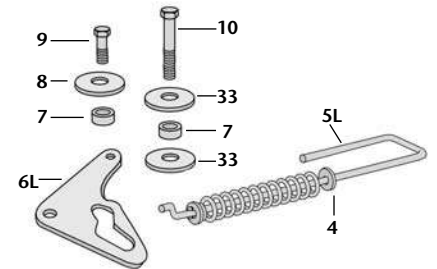
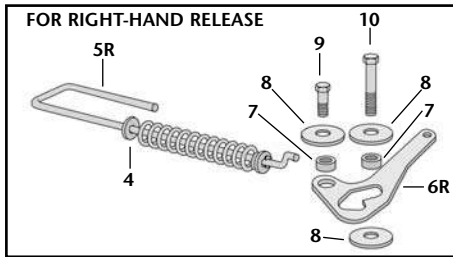
LOCK REPLACEMENT KIT

16A* —
 16B* —
 17 —
 18 —

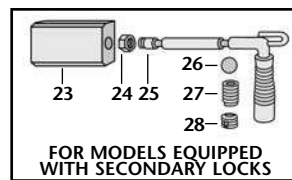
RK-05328

LOCK GUARD REPLACEMENT KIT

19** —
 20** —
 21 —
 22 —



For XA-2009 fifth wheel rebuilding procedures, see Holland publication XL-FW134



FOR MODELS EQUIPPED WITH SECONDARY LOCKS

For XA-2009 fifth wheel rebuilding procedures, see Holland publication XL-FW134

XA-2009 PARTS LIST

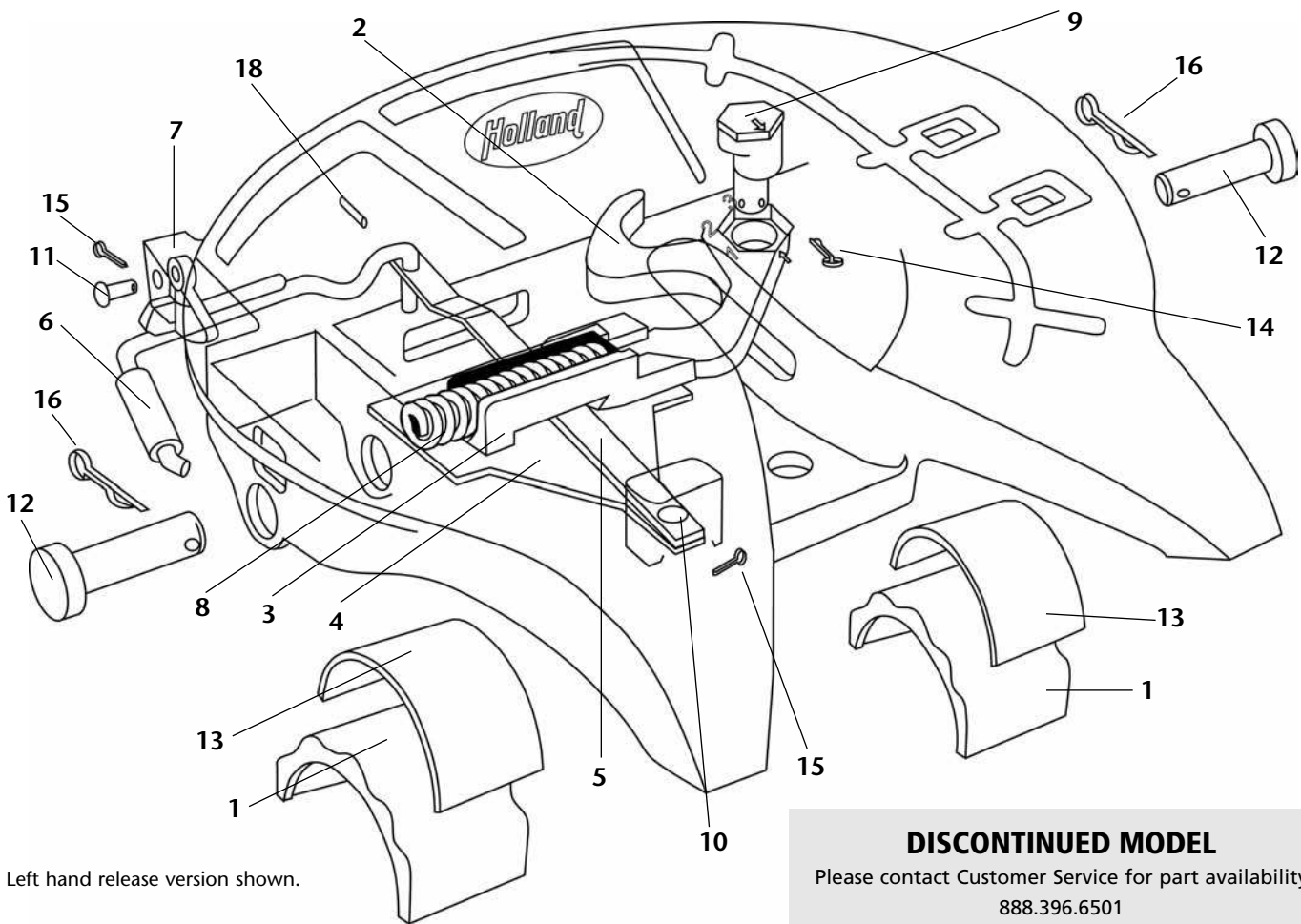
ITEM	PART NO.	NO. REQ'D.	PART NAME
1	XB-1007 (Red)	1	Compression Spring 1-5/8" O.D. x 5"
2	XA-1119	1	Plunger
3	XB-15	1	Set Screw 3/8"-16 x 3/4"
4	XB-T-49	1	Plain Washer 1/2"
5L	RK-1117-1-L	1	Left-Hand Release Handle (Item No. (4) must be installed on handle to complete assembly)
5R	RK-1117-1	1	Right-Hand Release Handle (Item No. (4) must be installed on handle to complete assembly)
6L	XA-1118-2-L	1	Left-Hand Cam Plate
6R	XA-1118-1	1	Right-Hand Cam Plate
7	XA-1029	2	Roller
8	XB-1030	3	Washer (right-hand only) 1/2" I.D. x 2-1/4" O.D.
9	XB-2083	1	Hex Head Screw 1/2"-20 x 1-3/4" with Locking Patch
10	XB-1031	1	1/2"-20 x 2" Hex Head Cap Screw
11	XB-403	1	Spring
12	XD-3123-1	1	Lock Adjusting Wedge
13	XB-2001	1	5/8"-11 x 3-3/4" Socket Head Screw
14	XB-HNH-58-C	1	5/8"-11 Locknut

ITEM	PART NO.	NO. REQ'D.	PART NAME
15	XB-1006 (Green)	1	Compression Spring 1-1/4" O.D. x 5"
16A&B	XA-1102*	1	Lock Set
17	XA-1016	1	Hinged Lock Pin
18	XB-5	1	Cotter Pin 1/4" x 2"
19	XA-1621**	1	Lock Guard
20	XB-1044**	1	Torsion Spring
21	XA-1055	1	Pin
22	XB-16	2	Cotter Pin 1/8" x 1"
23	XA-1668	1	Safety Lock Block
24	XB-NRJ-34-F	1	Jam Nut
25	XA-1674	1	Safety Release Arm
26	XB-V-919	1	1/2" Diameter Steel Ball
27	XB-V-932	1	Compression Spring
28	XB-V-1025	1	Set Screw 5/8"-18
29	XB-H-38	2	Grease Fitting
30	XA-2016	2	Bracket Pin
31	XB-21-S-375-1750	2	Roll Pin
32	XB-0011-2	2	Rubber Bushing
33	XB-02846	2	Washer (left-hand only) 1/2" I.D. x 2-5/8" O.D.

* Not available individually; order RK-62004

** Not available individually; order RK-05328

SIMPLEX II (LEFT HAND & RIGHT HAND RELEASE)



Left hand release version shown.

ITEM NO.	DESCRIPTION	PART NO.	BULK ITEM NO.
1	Bracket Shoe	4100328	B4100328
2	Jaw *(LH)	4109939	
	Jaw *(RH)	4109940	
3	Lock (LH)	4109931	B4109931
	Lock (RH)	4109808	
4	Cover Plate	4100767	
5	Lever Bar	4100712	
6	Operating Rod (LH)	4100342	B4100342
	Operating Rod (RH)	4100441	
7	Safety Indicator (LH)	4100294	
	Safety Indicator (RH)	4100428	
8	Lock Spring	1200706	B1200706
9	Eccentric Pin	4109916	

ITEM NO.	DESCRIPTION	PART NO.	BULK ITEM NO.
10	Lever Bar Pin	5400766	B5400766
11	Safety Indicator Pin	5400711	B5400711
12	Bracket Pin	5400705	B5400705
13	.38" Bracket Pad	4100329	B4100329
	.33" Bracket Pad	4100339	B4100339
	.42" Bracket Pad	4100376	B4100376
14	Clinch Pin	9900170	B9900170
15	Cotter Pin	84261	B84261
16	Clinch Pin	9900169	B9900169
17	Grease Fitting (not shown)	84787	B84787
18	Slotted Spring Pin	9900181	B9900181
19	Oversize Jaw Pin (not shown)	4109977	B4109977
20	Safety Indicator (not shown)	4100374	B4100374

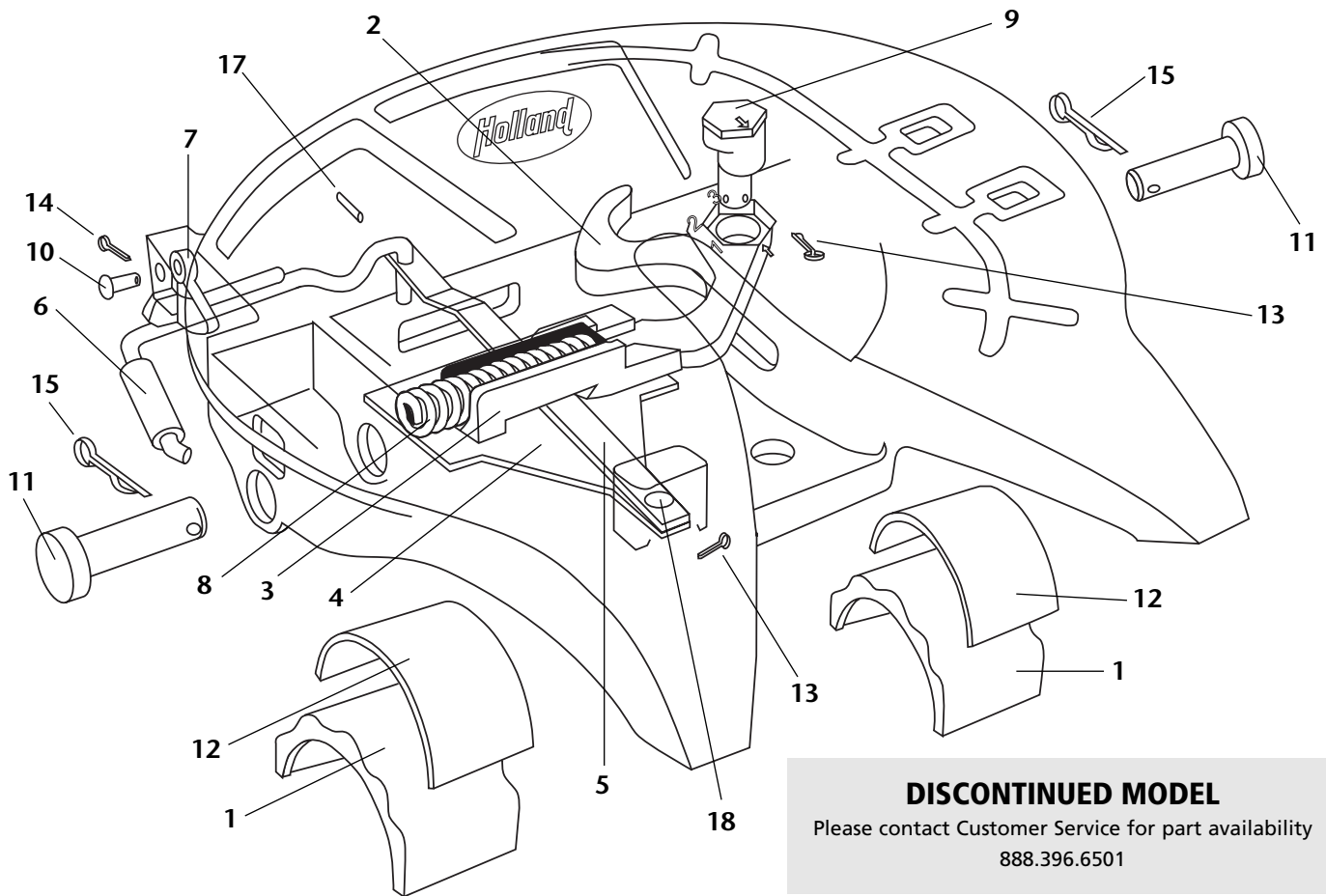
* NOTE: The current jaw 4109939/4109940, replaces the previous design jaw 4109930/4109920.

Rebuild Kits

KIT PART NO.	DESCRIPTION	ITEMS INCLUDED IN KIT
4000501	Jaw Kit - Standard Eccentric Pin (LH)	2,9,14
4000503	Jaw Kit - Standard Eccentric Pin (RH)	2,9,14
4000502	Jaw Kit - Oversize Eccentric Pin (LH)	2,9,14
4000523	Jaw Kit - Oversize Eccentric Pin (RH)	2,9,14
4000641	Bracket Connection Kit (.33" pads)	1,12-13,16
4000504	Bracket Connection Kit (.42" pads)	1,12-13,16
4000588	Bracket Connection Kit (.42" pads)	1,12-13,16

KIT PART NO.	DESCRIPTION	ITEMS INCLUDED IN KIT
4000640	Bracket Pad Kit (.33" pads)	13
4000528	Bracket Pad Kit (.38" pads)	13
4000587	Bracket Pad Kit (.42" pads)	13
4000572	Lock Kit (LH)	3-5,8,10,15
4000574	Lock Kit (RH)	3-5,8,10,15
4000509	Operating Rod Kit (LH)	6-7,11,15,18
4000512	Operating Rod Kit (RH)	6-7,11,15,18

SIMPLEX (FORMERLY SIMPLEX LITE STRAIGHT PULL) PARTS LIST
SERIAL NUMBER PREFIX LSLS OR SLS



ITEM NO.	DESCRIPTION	PART NO.	BULK ITEM NO.
1	Bracket Shoe	4100328	B4100328
2	Jaw	4109939	
3	Lock	4109931	B4109931
4	Cover Plate	4100155	
5	Lever Bar	4100373	
6	Operating Rod	4100420	B4100420
7	Safety Indicator	4100294	B4100294
8	Lock Spring	1200706	B1200706
9	Eccentric Pin	4109916	
10	Safety Indicator Pin	5400711	B5400711
11	Bracket Pin	5400705	B5400705
12	.38" Bracket Pad	4100329	B4100329
	.33" Bracket Pad	4100339	B4100339
	.42" Bracket Pad	4100376	B4100376

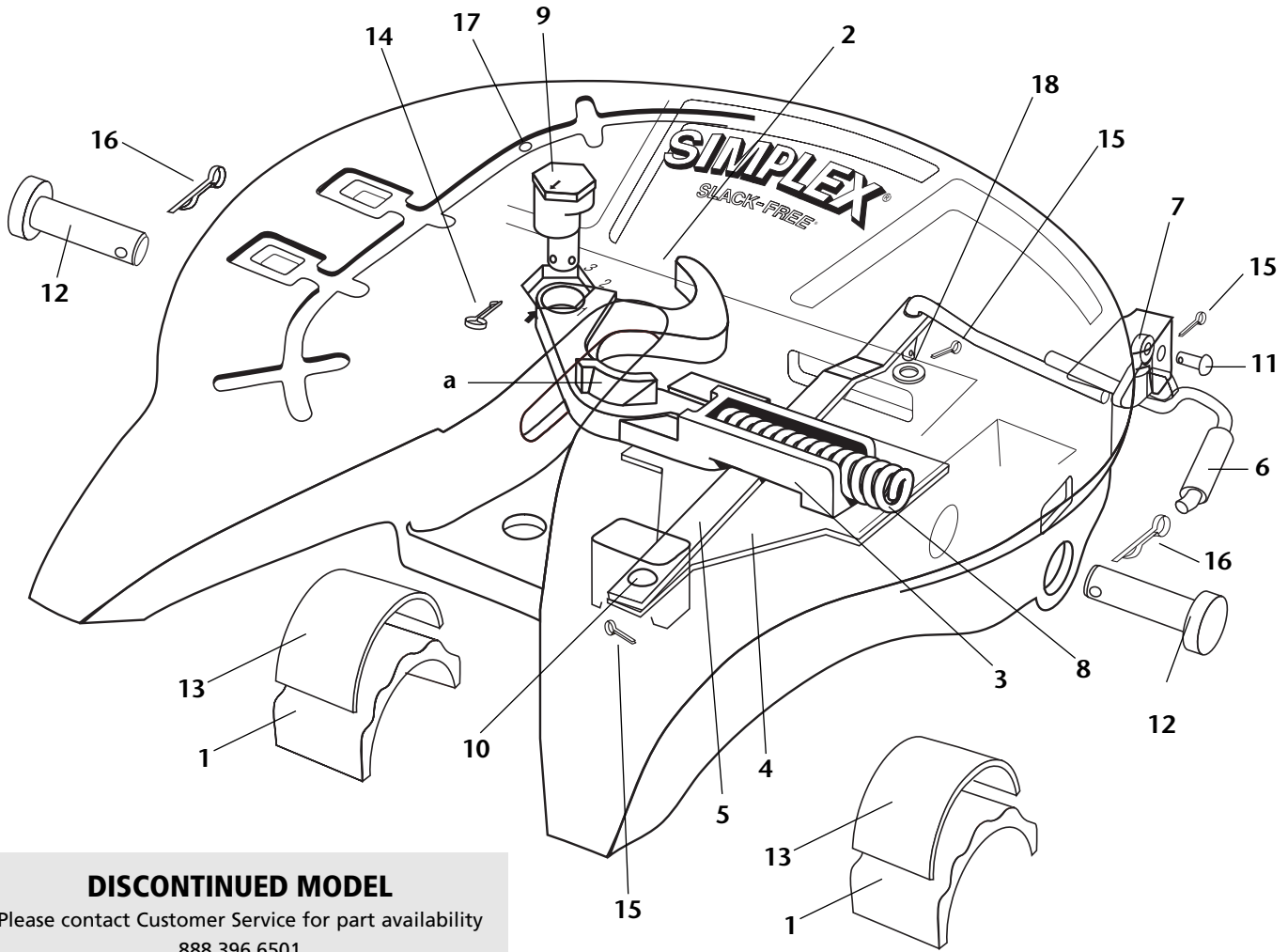
ITEM NO.	DESCRIPTION	PART NO.	BULK ITEM NO.
13	Clinch Pin	9900170	B9900170
14	Cotter Pin	84261	B84261
15	Clinch Pin	9900169	B9900169
16	Grease Fitting (not shown)	84787	B84787
17	Slotted Spring Pin	9900181	B9900181
18	Lever Bar Pin	4000250	
19	Safety Indicator (Not Shown)	4101250	B4101250
20	Non-TouchLoc Oper.Rod (Not Shown)	4100332	B4100332
21	Oversize Jaw Pin (Not Shown)	4109977	B4109977

Rebuild Kits

KIT PART NO.	DESCRIPTION	ITEMS INCLUDED IN KIT
4000501	Jaw Kit - Standard Eccentric Pin	2,9,13
4000502	Jaw Kit - Oversize Eccentric Pin	2,9,13
4000641	Bracket Connection Kit (.33" pads)	1,11-12,15
4000504	Bracket Connection Kit (.38" pads)	1,11-12,15
4000588	Bracket Connection Kit (.42" pads)	1,11-12,15
4000640	Bracket Connection Kit (.33" pads)	12

KIT PART NO.	DESCRIPTION	ITEMS INCLUDED IN KIT
4000528	Bracket Pad Kit (.38" pads)	13
4000587	Bracket Pad Kit (.42" pads)	13
4000570	Lock Kit	3-5,8,13,18
4000531	Operating Rod Kit for TouchLoc	6-7,10,14,17
4000507	Operating Rod Kit	6-7,10,14,17

SIMPLEX RH PARTS LIST
SERIAL NUMBER PREFIX SR



DISCONTINUED MODEL
 Please contact Customer Service for part availability
 888.396.6501

ITEM NO.	DESCRIPTION	PART NO.	BULK ITEM NO.
1	Bracket Shoe	4109811	B4109811
2	Jaw *	4109940	
3	Lock	4109808	
4	Cover Plate	4100767	
5	Lever Bar	4100712	
6	Operating Rod	4100350	B4100350
7	Safety Indicator	4109812	B4109812
8	Lock Spring	1200706	B1200706
9	Eccentric Pin	4109916	

ITEM NO.	DESCRIPTION	PART NO.	BULK ITEM NO.
10	Lever Bar Pin	5400766	B5400766
11	Safety Indicator Pin	5400711	B5400711
12	Bracket Pin	5400705	B5400705
13	Bracket Pad	4100358	B4100358
14	Clinch Pin	9900170	B9900170
15	Cotter Pin	84261	B84261
16	Clinch Pin	9900169	B9900169
17	Grease Fitting (not shown)	84787	B84787
18	Washer	9900846	B9900846

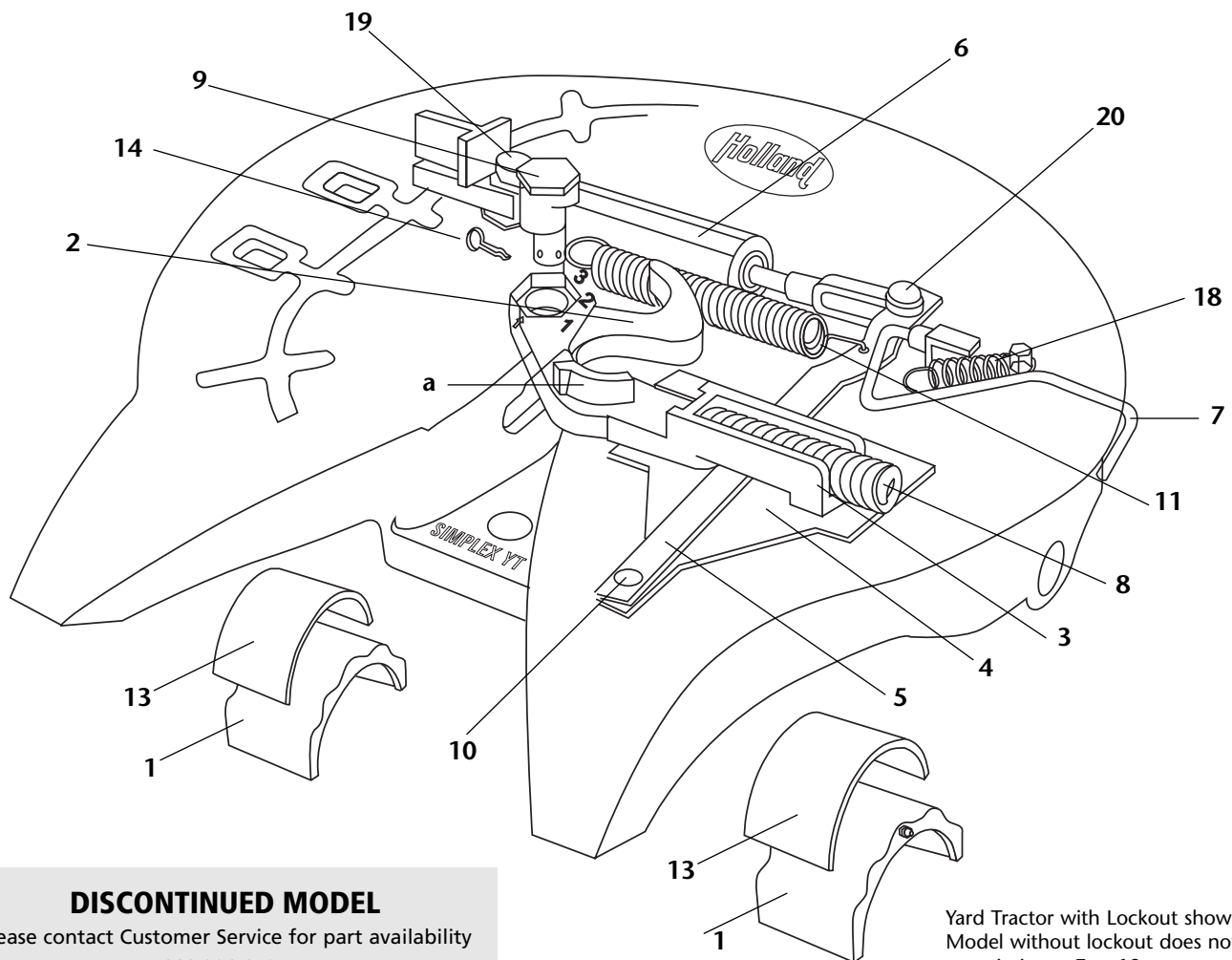
* NOTE: The current jaw 4109940, which replaces the previous design jaw 4109920, does not contain the lug "a" as pictured above.

Rebuild Kits

KIT PART NO.	DESCRIPTION	ITEMS INCLUDED IN KIT
4000503	Jaw Kit - Standard Eccentric Pin	2,9,14
4000523	Jaw Kit - Oversize Eccentric Pin	2,9,14
4000505	Bracket Connection Kit (.578" pads)	1,12-13,16

KIT PART NO.	DESCRIPTION	ITEMS INCLUDED IN KIT
4000529	Bracket Pad Kit (.578" pads)	13
4000511	Operating Rod Kit	6-7,11,15,18
4000574	Lock Kit	3-5,8,10,15

SIMPLEX YARD TRACTOR (WITH AND WITHOUT LOCKOUT)



DISCONTINUED MODEL

Please contact Customer Service for part availability
888.396.6501

Yard Tractor with Lockout shown.
Model without lockout does not
contain items 7 or 18.

ITEM NO.	DESCRIPTION	PART NO.	BULK ITEM NO.
1	Bracket Shoe	4109811	B4109811
2	Jaw *	4109940	
3	Lock	4109808	
4	Cover Plate	4100767	
5	Lockout Lever Bar	4100211	
	Lever Bar	4100215	
6	Air Cylinder	4100338	
7	Lockout Cylinder Rod	4100206	
8	Lock Spring	1200706	B1200706
9	Eccentric Pin	4109916	
10	Lever Bar Pin	5400766	B5400766

ITEM NO.	DESCRIPTION	PART NO.	BULK ITEM NO.
11	Extension Spring	4100333	B4100333
12	Bracket Pin (not shown)	5400705	B5400705
13	Bracket Pad	4100358	B4100358
14	Clinch Pin (not shown)	9900170	B9900170
15	Cotter Pin (not shown)	84261	B84261
16	Clinch Pin (not shown)	9900169	B9900169
17	Grease Fitting	84787	B84787
18	Extension Spring	4100212	B4100212
19	Clevis	9900177	
20	Clevis Pin	5400219	

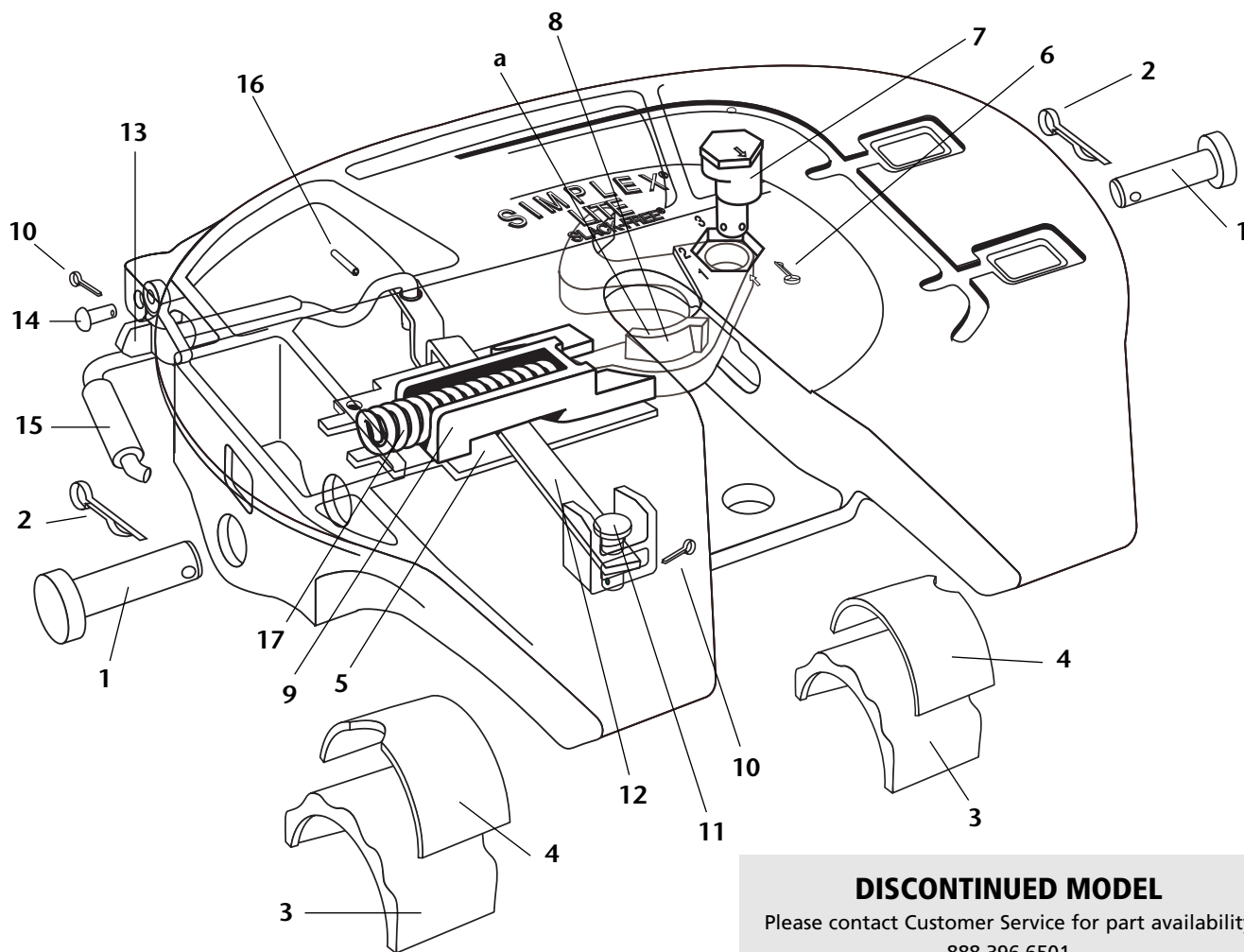
* NOTE: The current jaw 4109940, which replaces the previous design jaw 4109920, does not contain the lug "a" as pictured above.

Rebuild Kits

KIT PART NO.	DESCRIPTION	ITEMS INCLUDED IN KIT
4000503	Jaw Kit - Standard Eccentric Pin	2,9,14
4000523	Jaw Kit - Oversize Eccentric Pin	2,9,14
4000505	Bracket Connection Kit (.578" pads)	1,12-13,16

KIT PART NO.	DESCRIPTION	ITEMS INCLUDED IN KIT
4000529	Bracket Pad Kit (.578" pads)	13
4000513	Rebuild Kit (including lockout)	1-20
4000500	Rebuild Kit (No lockout)	1-6,8-17,19,20
4000223	Air Cylinder Repair Kit	Not Shown

SIMPLEX LITE STRAIGHT PULL PARTS LIST



DISCONTINUED MODEL
 Please contact Customer Service for part availability
 888.396.6501

ITEM NO.	DESCRIPTION	PART NO.
1	Bracket Pins (2 required)	5400705
2	Clinch Pins for Bracket Pins (2 required)	9900169
3	Bracket Shoes (2 required)	4100328
4	Bracket Pads (2 required)	4100329
5	Cover Plate	4100155
6	Clinch Pin for Jaw Pin	9900170
7	Jaw Pin (standard)	4109916
7a	Jaw Pin (oversize - not shown)	4109977
8	Jaw*	4109935

ITEM NO.	DESCRIPTION	PART NO.
9	Lock	4109931
10	Cotter Pin (2 required)	84261
11	Lever Bar Pin	4000250
12	Lever Pin	4100373
13	Safety Indicator	4101250
14	Safety Indicator Pin	5400711
15	Operating Rod	4100382
16	Slotted Spring Pin	9900181
17	Lock Spring	1200706

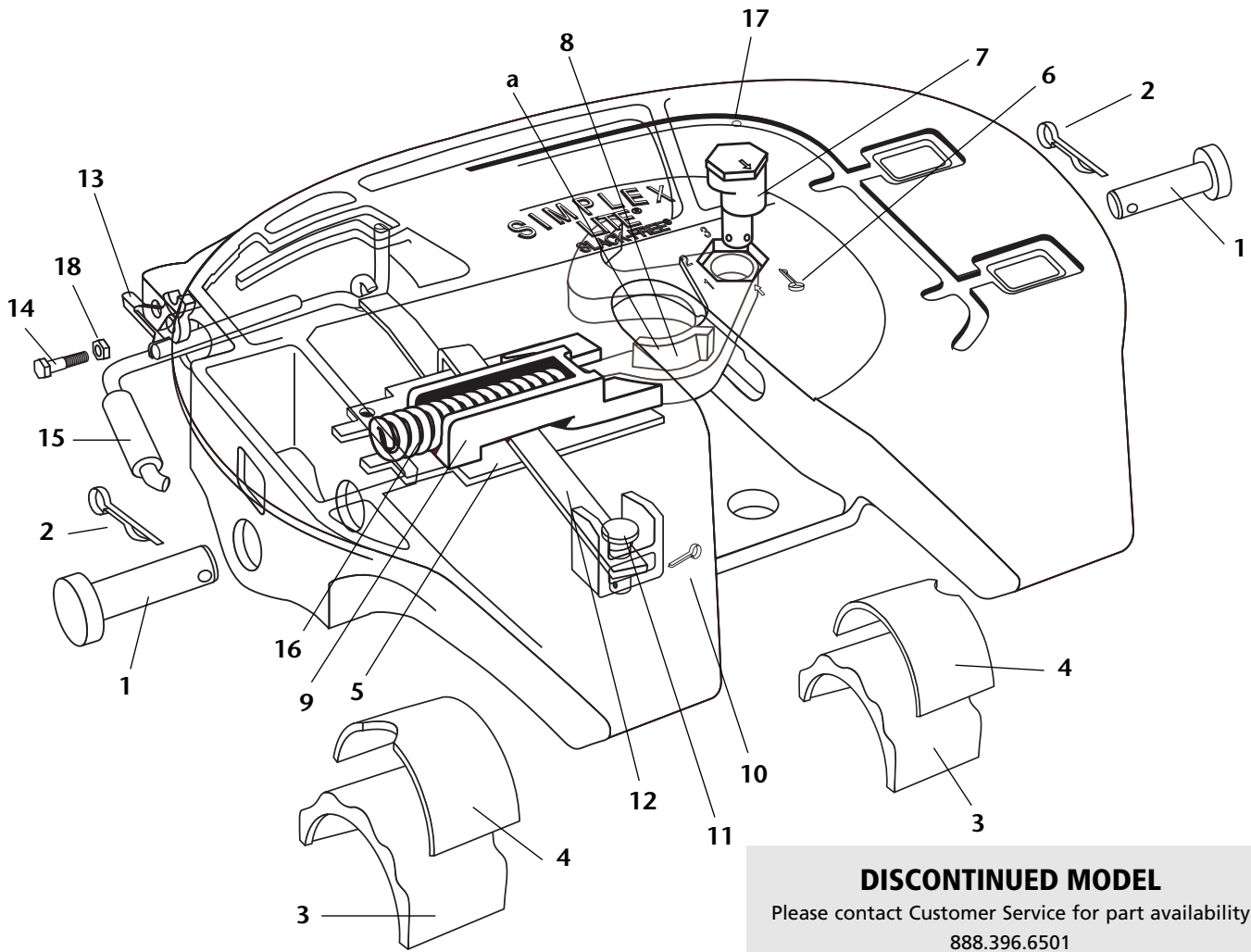
* Note: The current jaw 4109935, which replaces the previous design jaw 4109930, does not contain the lug "a" as pictured above.

Rebuild Kits

KIT AVAILABLE	ITEMS INCLUDED IN KIT	PART NO.
Jaw Rebuild Kit	6, 7, 8	4000501
Jaw Rebuild Kit (oversize)	6, 7a, 8	4000502
Bracket Pad Kit	4	4000528

KIT AVAILABLE	ITEMS INCLUDED IN KIT	PART NO.
Jaw Rebuild Kit	6, 7, 8	4000501
Jaw Rebuild Kit (oversize)	6, 7a, 8	4000502
Bracket Pad Kit	4	4000528

SIMPLEX LITE ROTARY PULL PARTS LIST



ITEM NO.	DESCRIPTION	PART NO.
1	Bracket Pins (2 required)	5400705
2	Clinch Pins for Bracket Pins (2 required)	9900169
3	Bracket Shoes (2 required)	4100328
4	Bracket Pads (2 required)	4100329
5	Cover Plate	4100155
6	Clinch Pin for Jaw Pin	9900170
7	Jaw Pin (standard)	4109916
7a	Jaw Pin (oversize - not shown)	4109977
8	Jaw*	4109935
9	Lock	4109931

ITEM NO.	DESCRIPTION	PART NO.
10	Cotter Pin	84261
11	Lever Bar Pin	4000250
12	Lever Pin	4100372
13	Safety Indicator	4100374
14	Bolt Shoulder	4100402
15	Operating Rod	4100386
16	Lock Spring	1200706
17	Grease Fittings (2 required)	84787
18	Self-locking Nut	9900139

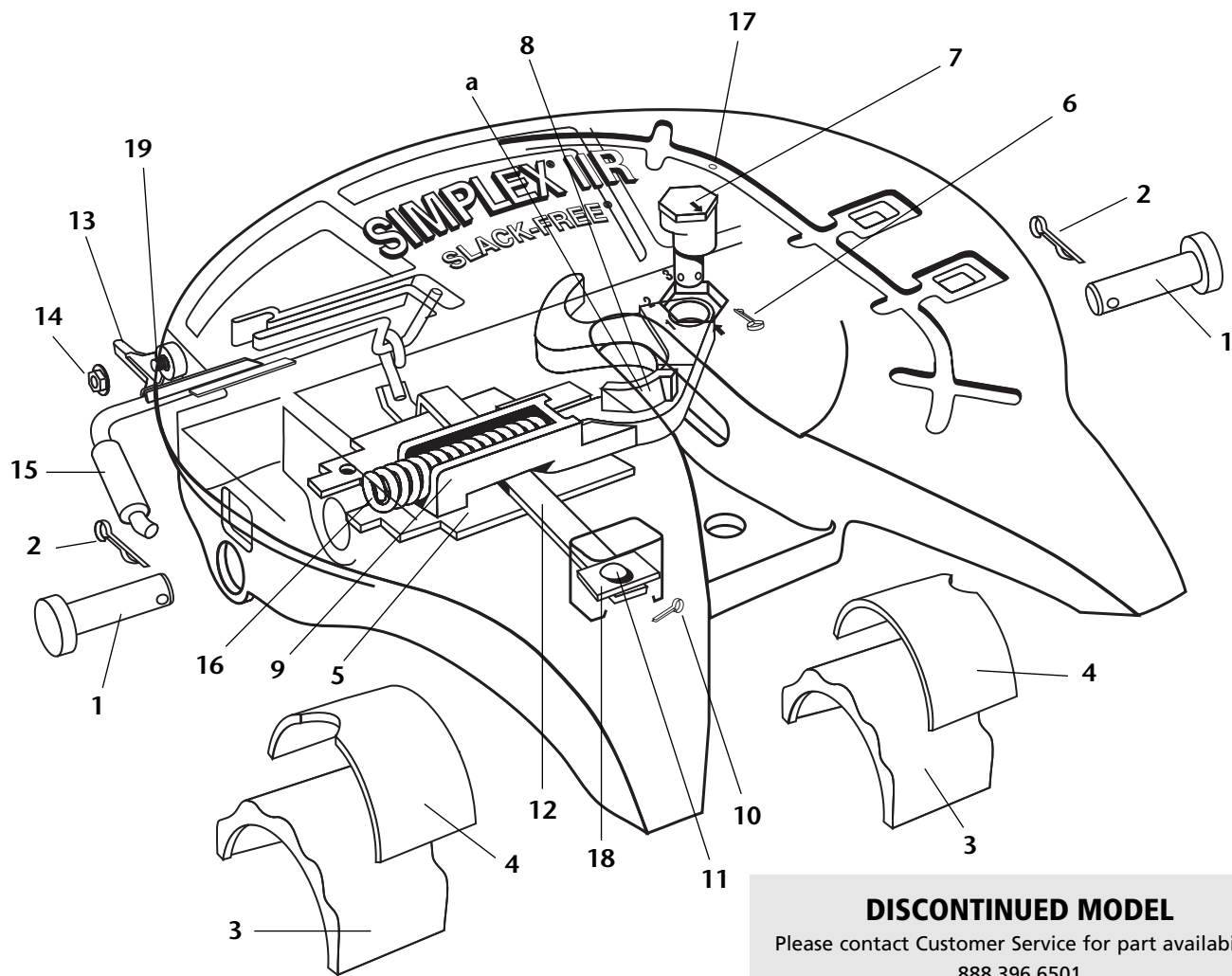
* Note: The current jaw 4109935, which replaces the previous design jaw 4109930, does not contain the lug "a" as pictured above.

Rebuild Kits

KIT AVAILABLE	ITEMS INCLUDED IN KIT	PART NO.
Jaw Rebuild Kit	6, 7, 8	4000501
Jaw Rebuild Kit (oversize)	6, 7a, 8	4000502
Bracket Pad Kit	4	4000528

KIT AVAILABLE	ITEMS INCLUDED IN KIT	PART NO.
Bracket Connection Kit	1-4	4000504
Operating Rod Kit	13-15, 18	4000508
Lock Kit	5, 9-12, 16	4000578

SIMPLEX IIR ROTARY PULL PARTS LIST



DISCONTINUED MODEL
 Please contact Customer Service for part availability
 888.396.6501

ITEM NO.	DESCRIPTION	PART NO.
1	Bracket Pins (2 required)	5400705
2	Clinch Pins for Bracket Pins (2 required)	9900169
3	Bracket Shoes (2 required)	4100328
4	Bracket Pads (2 required)	4100329
5	Cover Plate	4100155
6	Clinch Pin for Jaw Pin	9900170
7	Jaw Pin (standard)	4109916
7a	Jaw Pin (oversize - not shown)	4109977
8	Jaw*	4109935
9	Lock	4109931

* Note: The current jaw 4109935, which replaces the previous design jaw 4109930, does not contain the lug "a" as pictured above.

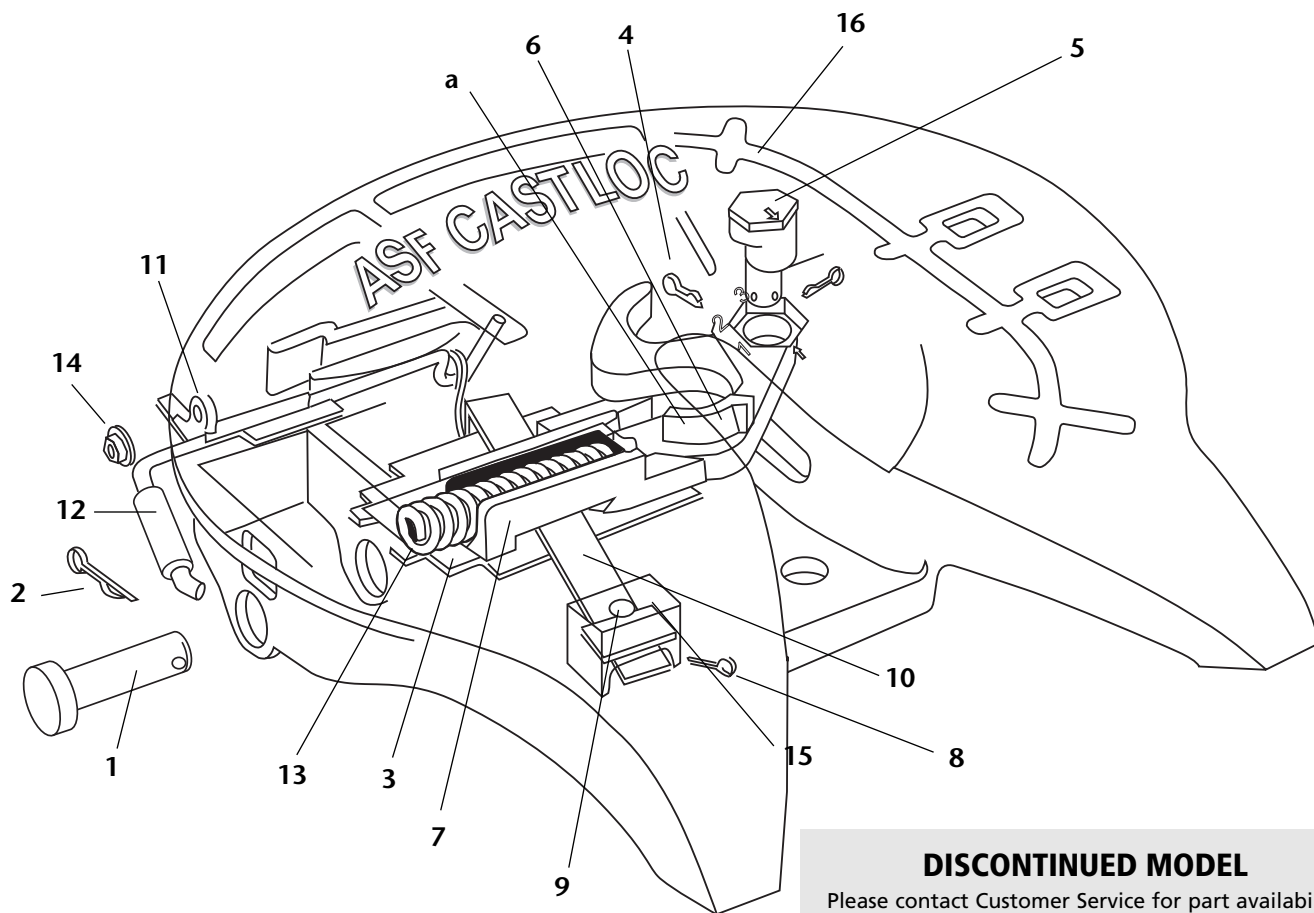
ITEM NO.	DESCRIPTION	PART NO.
10	Cotter Pin	84261
11	Lever Bar Pin	4000154
12	Lever Pin	4100152
13	Safety Indicator	4100150
14	Flange Nut	9900113
15	Operating Rod (2 piece)	4100357
16	Lock Spring	1200706
17	Grease Fittings (2 required)	84787
18	Lever Bar Retainer Plate	4100155
19	Weld Stud	4100180

Rebuild Kits

KIT AVAILABLE	ITEMS INCLUDED IN KIT	PART NO.
Jaw Rebuild Kit	6, 7, 8	4000501
Jaw Rebuild Kit (oversize)	6, 7a, 8	4000502
Bracket Pad Kit	4	4000528

KIT AVAILABLE	ITEMS INCLUDED IN KIT	PART NO.
Bracket Connection Kit	1-4	4000504
Operating Rod Kit	13-15, 19	4000510
Lock Kit	5, 9-12, 16, 18	4000576

CASTLOC ROTARY PULL PARTS LIST



DISCONTINUED MODEL
 Please contact Customer Service for part availability
 888.396.6501

ITEM NO.	DESCRIPTION	PART NO.
1	Bracket Pins (2 required)	4100239
2	Clinch Pins for Bracket Pins (2 required)	9900175
3	Cover Plate	4100155
4	Clinch Pin for Jaw Pin	9900170
5	Jaw Pin (standard)	4109916
5a	Jaw Pin (oversize - not shown)	4109977
6	Jaw *	4109935
7	Lock	4109931
8	Cotter Pin (2 required)	84261
9	Lever Bar Pin	4100154

ITEM NO.	DESCRIPTION	PART NO.
10	Lever Bar	4100152
11	Safety Indicator	4100150
12	Operating Rod (2 piece)	4100357
13	Lock Spring	1200706
14	Flange Nut	9900113
15	Lever Retaining Plate	4100153
16	Grease Fittings (2 required)	84787
17	Clinch Pin for Cover Plate (not shown)	9900170
18	Weld Stud (not shown)	4100180
19	Bracket Shim (2 required-not shown)**	4000263

* Note: The current jaw 4109935, which replaces the previous design jaw 4109930, does not contain the lug "a" as pictured above.

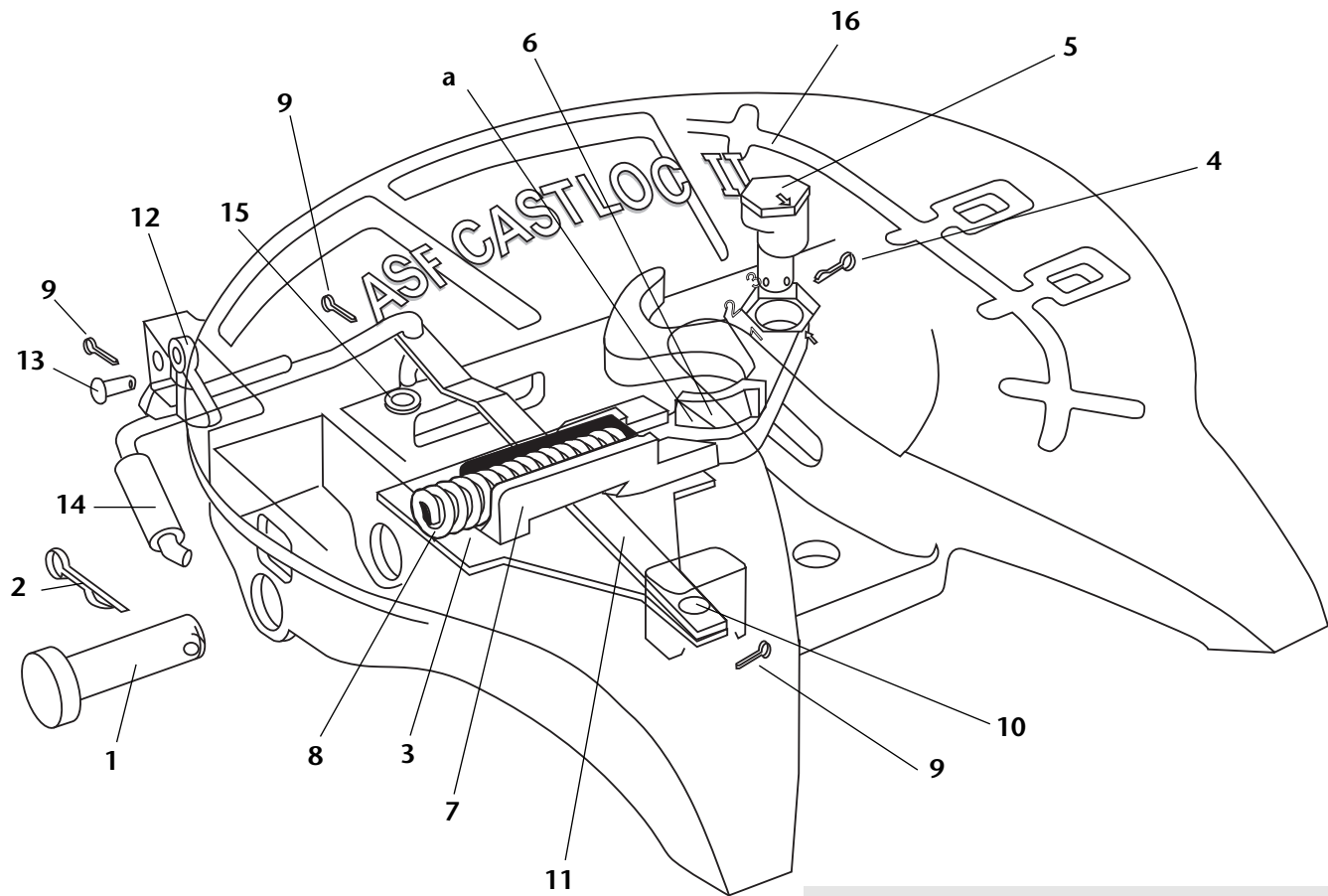
Rebuild Kits

KIT AVAILABLE	ITEMS INCLUDED IN KIT	PART NO.
Jaw Rebuild Kit	4-6	4000501
Jaw Rebuild Kit (oversize)	4, 5a, 6	4000502
Bracket Shim Kit**	19	4000530

KIT AVAILABLE	ITEMS INCLUDED IN KIT	PART NO.
Bracket Connection Kit *	1, 2, 19	4000506
Operating Rod Kit	11, 12, 14, 18	4000510
Lock Kit	3, 7-10, 13, 15	4000576

** Note: Bracket shims and kits containing shims can only be used when there is sufficient wear.

CASTLOC II STRAIGHT PULL PARTS LIST



DISCONTINUED MODEL
Please contact Customer Service for part availability
888.396.6501

ITEM NO.	DESCRIPTION	PART NO.
1	Bracket Pins (2 required)	4100239
2	Clinch Pins for Bracket Pins (2 required)	9900175
3	Cover Plate	4100767
4	Clinch Pin for Jaw Pin	9900170
5	Jaw Pin (standard)	4109916
5a	Jaw Pin (oversize - not shown)	4109977
6	Jaw *	4109935
7	Lock	4109931
8	Lock Spring	1200706
9	Cotter Pin	84261

ITEM NO.	DESCRIPTION	PART NO.
10	Lever Bar Pin	5400766
11	Lever Bar	4100712
12	Safety Latch	4101250
13	Safety Latch Pin	5400711
14	Operating Rod**	4100342
15	Washer	9900846
16	Grease Fitting	84787
17	Bracket Shim (2 required-not shown)***	4000263
18	Slotted spring pin (not shown)	9900181

* Note: The current jaw 4109935, which replaces the previous design jaw 4109930, does not contain the lug "a" as pictured above.

Rebuild Kits

KIT AVAILABLE	ITEMS INCLUDED IN KIT	PART NO.
Jaw Rebuild Kit	4-6	4000501
Jaw Rebuild Kit (oversize)	4, 5a, 6	4000502
Bracket Shim Kit***	17	4000530

KIT AVAILABLE	ITEMS INCLUDED IN KIT	PART NO.
Bracket Connection Kit ***	1, 2, 17	4000506
Operating Rod Kit	9, 12-14, 18	4000519
Lock Kit	3, 7-11	4000572

** Note: The operating rod 4100342 has been redesigned and uses a slotted spring pin 9900181 instead of cotter pin 84261 (Item 9) and washer 9900846 (Item 15).

*** Note: Bracket shims and kits containing shims can only be used when there is sufficient wear.

KITS FOR DISCONTINUED SIMPLEX FIFTH WHEELS

Simplex Discontinued Fifth Wheels

ITEM NO.	FIFTH WHEEL MODEL	SIMPLEX LITE	SIMPLEX LITE TOUCHLOC	SIMPLEX LITE ROTARY	SIMPLEX LITE ROTARY TOUCHLOC	SIMPLEX II & SIMPLEX III	SIMPLEX IIR & SIMPLEX II & SIMPLEX III TOUCHLOC	SIMPLEX IIR & SIMPLEX III ROTARY	SIMPLEX IIR TOUCHLOC	SIMPLEX RH (RIGHT-HAND)
1	Fifth Wheel Sub-Assembly	1040 2700 1040 2707	1060 2700	1080 2700	1100 2700	4102 700 4102 707	9502 700	7102 700	7502 700	4102 764 4101 414 4101 424
2	Serial Number Prefix	SLS-, LSL-	SLS-, LSL-	SLR	SLR-	SL-, LSL-, SRY-	SL-, LSL-, SRY-	SRL-, SRYL-	SRL-, SRYL-	SR-
3	Replaced by Simplex Model	SE	SE Touchloc	SE	SE Touchloc	II SE	II SE Touchloc	II SE	II SE Touchloc	II SE RH
Kit Names and Numbers										
4	Handle Kit (Handle Part Number)	4000 507 (4100 382)	4000 531 (4100 420)	4000 508 (4100 386)	4000 508 (4100 386)	4000 650 (4100 332)	4000 532 (4100 296)	4000 510 (4100 357)	4000 510 (4100 357)	4000 511 (4100 350)
5	Alternate Handle Kit (45 chamfer) (Handle Part Number)	400 531 (4100 420)	NA	NA	NA	4000 509 (4100 342)	NA	NA	NA	NA
6	Jaw w/ Standard Pin	4000 501	4000 501	4000 501	4000 501	4000 501	4000 501	4000 501	4000 501	4000 503
7	Jaw w/ Oversize Pin	4000 502	4000 502	4000 502	4000 502	4000 502	4000 502	4000 502	4000 502	4000 523
8	Jaw & Return Spring Retrofit	4000 539	4000 539	4000 539	4000 539	4000 539	4000 539	4000 539	4000 539	4000 540
9	Kingpin Gague (Jaw Adjustment Tool)	4000 171	4000 171	4000 171	4000 171	4000 171	4000 171	4000 171	4000 171	4000 171
10	Lock	4000 570	4000 570	4000 578	4000 578	4000 572	4000 572	4000 576	4000 576	4000 574
11	* Standard pad: 0.38" thickness	4000 504	4000 504	4000 504	4000 504	4000 504	4000 504	4000 504	4000 504	NA
12	* Large pad: 0.42" thickness	4000 588	4000 588	4000 588	4000 588	4000 588	4000 588	4000 588	4000 588	NA
13	* Small Pad: 0.33" thickness	4000 641	4000 641	4000 641	4000 641	4000 641	4000 641	4000 641	4000 641	NA
14	* Simplex RH Pad: 0.58" thickness	NA	NA	NA	NA	NA	NA	NA	NA	4000 505
15	* Castloc & Castloc II	NA	NA	NA	NA	NA	NA	NA	NA	NA
16	**400C	NA	NA	NA	NA	NA	NA	NA	NA	NA
17	Pad, Standard: 0.38" thickness	4000 528	4000 528	4000 528	4000 528	4000 528	4000 528	4000 528	4000 528	NA
18	Pad, Large: 0.42" thickness	4000 587	4000 587	4000 587	4000 587	4000 587	4000 587	4000 587	4000 587	NA
19	Pad, Small: 0.33" thickness	4000 640	4000 640	4000 640	4000 640	4000 640	4000 640	4000 640	4000 640	NA
20	Pad, Simplex RH: 0.58" thickness	NA	NA	NA	NA	NA	NA	NA	NA	4000 529
21	Touchloc Air Cylinder	NA	4000 273	NA	4000 272	NA	4100 269	NA	4100 258	NA
22	Shims, Poly (Castloc Series)	NA	NA	NA	NA	NA	NA	NA	NA	NA
23	Shims, Steel - weld to bracket	NA	NA	NA	NA	NA	NA	NA	NA	NA
Bulk Kits - Individual Parts (Quantity/Kit)										
24	Handle (5)	B4100 382	NA	B4100 386	B4100 386	B4100 332	NA	B4100 357	B4100 357	B4100 350
25	Indicator (5) (10 for 400C)	B4101 250	NA	B4100 374	B4100 374	B4101 250	NA	B4100 150	B4100 150	B4100 428
26	Handle (45° Chamfer) (5)	B4100 420	B4100 420	NA	NA	B4100 342	B4100 296	NA	NA	NA
27	Indicator (45° Chamfer) (5)	B4100 294	B4100 294	NA	NA	B4100 294	B4100 294	NA	NA	NA
28	Lock Spring (5)	B1200 706	B1200 706	B1200 706	B1200 706	B1200 706	B1200 706	B1200 706	B1200 706	B1200 706
29	Jaw Return Spring (10)	NA	NA	NA	NA	NA	NA	NA	NA	NA
30	Poly Shoes (10)	B4100 328	B4100 328	B4100 328	B4100 328	B4100 328	B4100 328	B4100 328	B4100 328	NA
31	Steel Shoes (10)	NA	NA	NA	NA	NA	NA	NA	NA	B4109 811
32	Pads, Standard, .38" (20)	B4100 329	B4100 329	B4100 329	B4100 329	B4100 329	B4100 329	B4100 329	B4100 329	NA
33	Pads, Large, .42" (20)	B4100 376	B4100 376	B4100 376	B4100 376	B4100 376	B4100 376	B4100 376	B4100 376	NA
34	Pads, Small, .33" (20)	B4100 339	B4100 339	B4100 339	B4100 339	B4100 339	B4100 339	B4100 339	B4100 339	NA
35	Pads, Simplex RH, .58" (20)	NA	NA	NA	NA	NA	NA	NA	NA	B4100 358
36	Poly Shims (20)	NA	NA	NA	NA	NA	NA	NA	NA	NA
37	Steel Shims (20) - weld to bracket	NA	NA	NA	NA	NA	NA	NA	NA	NA

KITS FOR DISCONTINUED SIMPLEX FIFTH WHEELS *continued*

Castloc & 400C Discontinued Fifth Wheels

ITEM NO.	FIFTH WHEEL MODEL	CASTLOC II & CASTLOC III	CASTLOC II & CASTLOC III TOUCHLOC	CASTLOC ROTARY	CASTLOC ROTARY TOUCHLOC	400C
1	Fifth Wheel Sub-Assembly	A7202 700 7202 700A	A7602 700 7602 700A	7202 700	7602 700	4102 846
2	Serial Number Prefix-	CA-, CR-, CV-	CA-, CR-, CV-	CL-	CL-	AL-
3	Replaced by Simplex Model	II SE	II SE Touchloc	II SE	II SE Touchloc	II SE
Kit Names and Numbers						
4	Handle Kit (handle part number)	4000 650 (4100 332)	4000 532 (4100 296)	4000 510 (4100 357)	4000 510 (4100 357)	4000 632 (4109 944)
5	Alternate Handle Kit (45° chamfer) (handle part number)	NA	NA	NA	NA	NA
6	Jaw w/ Standard Pin	4000 501	4000 501	4000 501	4000 501	4000 178
7	Jaw w/ Oversized Pin	4000 502	4000 502	4000 502	4000 502	NA
8	Jaw & Return Spring Retrofit	4000 539	4000 539	4000 539	4000 539	NA
9	Kingpin Gauge (Jaw Adjustment Tool)	4000 171	4000 171	4000 171	4000 171	NA
10	Lock	4000 572	4000 572	4000 576	4000 576	NA
11	* Standard pad: 0.38" thickness	NA	NA	NA	NA	NA
12	* Large pad: 0.42" thickness	NA	NA	NA	NA	NA
13	* Small Pad: 0.33" thickness	NA	NA	NA	NA	NA
14	* Simplex RH Pad: 0.58" thickness	NA	NA	NA	NA	NA
15	* Castloc & Castloc II	4000 506	4000 506	4000 506	4000 506	NA
16	**400C	NA	NA	NA	NA	4000 195
17	Pad, Standard: 0.38" thickness)	NA	NA	NA	NA	NA
18	Pad, Large: 0.42" thickness	NA	NA	NA	NA	NA
19	Pad, Small: 0.33" thickness	NA	NA	NA	NA	NA
20	Pad, Simplex RH: 0.58" thickness	NA	NA	NA	NA	NA
21	Touchloc Air Cylinder	NA	4100 269	NA	4100 258	NA
22	Shims, Poly (Castloc Series)	4000 530	4000 530	4000 530	4000 530	NA
23	Shims, Steel - weld to bracket	4000 630	4000 630	4000 630	4000 630	4000 630
Bulk Kits - Individual Parts (Quantity/Kit)						
24	Handle (5)	B4100 332	B4100 296	B4100 357	B4100 357	NA
25	Indicator (5) (10 for 400C)	B4101 250	B4100 294	B4100 150	B4100 150	B4109 948
26	Handle (45° Chamfer) (5)	NA	NA	NA	NA	NA
27	Indicator (45° Chamfer) (5)	NA	NA	NA	NA	NA
28	Lock Spring (5)	B1200 706	B1200 706	B1200 706	B1200 706	NA
29	Jaw Return Spring (10)	NA	NA	NA	NA	NA
30	Poly Shoes (10)	NA	NA	NA	NA	NA
31	Steel Shoes (10)	NA	NA	NA	NA	NA
32	Pads, Standard, .38" (20)	NA	NA	NA	NA	NA
33	Pads, Large, .42" (20)	NA	NA	NA	NA	NA
34	Pads, Small, .33" (20)	NA	NA	NA	NA	NA
35	Pads, Simplex RH, .58" (20)	NA	NA	NA	NA	NA
36	Poly Shims (20)	B4000 263	B4000 263	B4000 263	B4000 263	NA
37	Steel Shims (20) - weld to bracket	B4100 655	B4100 655	B4100 655	B4100 655	B4100 655

This page intentionally left blank

This page intentionally left blank



SAF-HOLLAND USA, Inc.
888.396.6501 Fax 800.356.3929

SAF-HOLLAND Canada, Limited
519.537.3494 Fax 800.565.7753
Western Canada
604.574.7491 Fax 604.574.0244