

## Product Update - Automatic Slack Adjusters

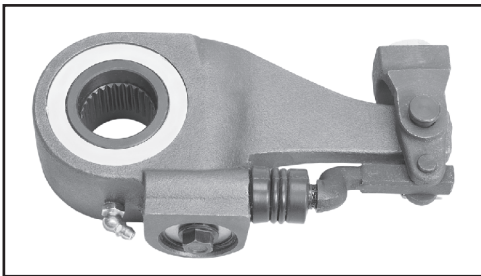
Update #2290H (added 05-3621, 3622, 3631, 3632)

Attention: Dayton Parts' Distributors and Business Partners.

### Another product update to our automatic slack adjuster direct replacement program!

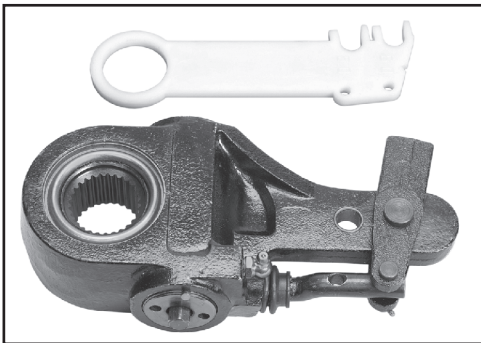
All of these automatic slack adjusters are direct replacements for the OE manufactured part and can be used in conjunction with the OEM part. We'll continue to add new part numbers to have the most complete coverage of automatic slack adjusters in the aftermarket.

Be sure to check out the **new part numbers** marked with an asterisk (\*).



**Bendix Design Replacements**  
(05-462 shown)

Part Number	Spline	Drilling	Bendix Reference	Automann Reference	Sirco Reference
<b>Bendix Design Replacements</b>					
05-460	1.5-10	6	065172	137.1030	SA2172
05-461	1.5-10	5.5	065170	137.1011	SA2170
05-462	1.5-28	6	065176	137.2830	SA2175
05-463	1.5-28	5.5	065174	137.2810	SA2174
05-585	5/8"-18 Straight Clevis Assembly				



**Crewson Design Replacements**  
(05-562 shown)

Part Number	Spline	Drilling	Crewson Reference	Automann Reference	Euclid Reference	Sirco Reference
<b>Crewson Design Replacements</b>						
05-560	1.5-10	5/6	21103	136.1030	E6991A	SA21103
05-561	1.5-10	5.5/6.5	21102	136.1031	E6992A	SA21102
05-562	1.5-28	5/6	22103	136.2830	E6993A	SA22103
05-563	1.5-28	5.5/6.5	22102	136.2831	E6994A	SA22102
05-564	1.62-37	6.0	23106	136.3741	E6995A	SA23106
05-565	1.62-37	5.5	23102	136.3740	E6996A	
05-570	1.25-10	5.5	24100	136.1010	E6987A	SA24100
05-572	1.25-24	5.5	25100	136.2410	E6989A	SA25100
05-5741	1/2"-20 Straight Clevis Assembly					
05-5751	5/8"-18 Straight Clevis Assembly					
05-5761	1/2"-20 Offset Clevis Assembly					
05-5771	5/8"-18 Offset Clevis Assembly					

Call 800-233-0899 today to place your order.

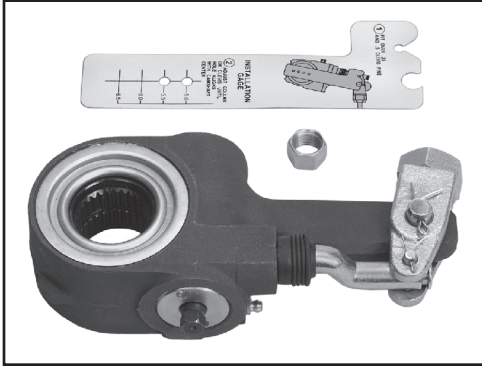
*Steven S. Wolf*

Steven S. Wolf  
Axle Group Product Manager

Continued on page 2

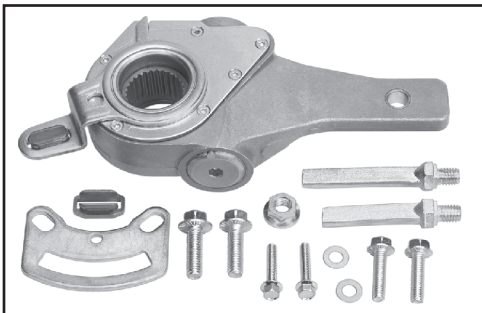
## 2 - Automatic Slack Adjusters

Update #2290H Continued from page 1



**Gunite Design Replacements**  
(05-762 shown)

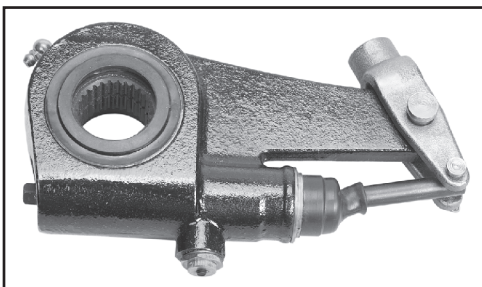
Part Number	Spline	Drilling	Gunite Reference	Automann Reference
<b>Gunite Design Replacements</b>				
05-760	1.5-10	6	AS1133	138.1030
05-761	1.5-10	5.5	AS1132	138.1011
05-762	1.5-28	6	AS1141	138.2830
05-763	1.5-28	5.5	AS1140	138.2810
05-764	1.62-37	6	AS1144	138.3741
05-770	1.25-10	5.5	AS1136	138.1010
05-772	1.25-24	5.5	AS1138	138.2410
05-590	5/8"-18 Straight Clevis Assembly			



**Haldex Design Replacements**  
(05-662 shown)

Part Number	Spline	Drilling	Haldex Reference	Automann Reference	Euclid Reference	Sirco Reference
<b>Haldex Design Replacements</b>						
05-651	1.5-28	6 Bent	400-10305	133.2842	E6933	SA10305
05-655	1.5-28	5/6	400-10140	133.2830	E6925B	SA10140
05-658	1.5-28	5.5/6.5	400-10146	135.2833	E6919A	
05-659	1.5-28	6	400-10144	133.2832	E6918A	SA10144
05-660	1.5-10	6	400-10216	133.1041	E6936	SA10216
05-661	1.5-10	5.5/6.5	400-10143	133.1031	E6924B	SA10143
05-662	1.5-28	6	400-10212	133.2841	E6942	SA10212
05-663	1.5-28	5.5/6.5	400-10141	133.2831	E6927B	SA10141
05-664	1.62-37	6	400-10214	133.3741	E6946	SA10214
05-668	1.5-28	5.5	400-10211	133.2840	E6944	SA10211

- 05-586 Fruehauf Trailer Axle Hardware Kit – Use with 05-651, 05-664, 05-668
- 05-587 Dana/Meritor Trailer Axle Hardware Kit – Use with 05-660, 05-662
- 05-588 Mack Drive Axle Hardware Kit – Use with 05-658, 05-659
- 05-589 Drive Axle Hardware Kit – Use with 05-655, 05-661, 05-663



**Meritor Design Replacements**  
(05-362 shown)

Part Number	Spline	Drilling	Meritor Reference	Automann Reference	Euclid Reference
<b>Meritor Design Replacements</b>					
05-360	1.5-10	6	R801042	139.1030	E11399
05-361	1.5-10	5.5	R801041	139.1031	E11398
05-362	1.5-28	6	R801074	139.2830	E11402
05-363	1.5-28	5.5	R801073	139.2831	E11401
05-370	1.25-10	5.5	R801001	139.1010	E11395
05-372	1.25-24	5.5	R801003	139.2410	E11397
* 05-3621	1.5-28	6	R802487	139.2837	E11422
* 05-3622	1.5-28	6	R802486	139.2836	E11421
* 05-3631	1.5-28	5.5	R802447	139.2833	E11418
* 05-3632	1.5-28	5.5	R802446	139.2832	E11417
05-578	5/8"-18 Straight Clevis Assembly				

\* New part number added — Pawl is on the side  
05-3621/3631 RH  
05-3622/3632 LH