

# Light Duty Rotors Only Listed by Size

# Light Duty Rotors

Light Duty Rotors

Part No.	O.D. (A)	Thickness (B)	Overall Height (C)	Face Height (D)	Bolt Circle (E)	Diameter/ Number of Holes (F)	Remarks
D4838	11.21	0.47	2.12	2.80	4.50	5 @ 0.573	
D4837	11.26	1.03	2.59	2.84	4.50	5 @ 0.632	
D4758	11.30	0.95	2.52	2.90	4.50	6 @ 0.549	
D4721	11.61	1.04	2.24	3.09	5.50	6 @ 0.560	
D4722	11.61	1.29	2.48	3.09	5.50	6 @ 0.560	
D4832	11.61	1.29	2.58	3.09	5.50	5 @ 0.625	
D4604	11.72	1.19	2.20	3.76	5.50	5 @ 0.656	
D4633	11.72	1.19	2.71	3.88	5.50	5 @ 0.649	
D4635	11.86	1.19	2.31	4.00	5.50	6 @ 0.592	
D4750	12.50	1.29	2.76	5.41	6.50	8 @ 0.649	
D4620	12.50	1.29	2.80	5.13	6.50	8 @ 0.656	
D4751	12.50	1.54	2.76	5.41	6.50	8 @ 0.646	
D4742	12.56	1.25	3.20	5.13	6.50	8 @ 0.592	
D4660	12.56	1.25	3.20	5.13	6.50	8 @ 0.649	
D4654	12.56	1.25	3.23	5.13	6.50	8 @ 0.619	
D4629	12.56	1.25	3.31	5.00	6.50	8 @ 0.649	
D4726	12.56	1.25	3.67	3.58	4.75	8 @ 0.533	
D4714	12.75	1.18	2.75	5.00	6.50	8 @ 0.558	
D4859	12.75	1.18	4.38	4.72	5.60	8 @ 0.500	
D4899	12.75	1.50	3.44	4.64	6.50	8 @ 0.637	
D4727	12.76	1.18	3.33	5.13	6.50	8 @ 0.635	
D4905	12.81	1.18	4.37	4.73	5.62	8 @ 0.500	with machined parking brake surface
D4881	12.81	1.19	3.87	5.00	6.50	8 @ 0.641	with machined parking brake surface
D4641	12.82	1.19	2.97	4.84	6.50	8 @ 0.599	
D4640	12.82	1.19	2.97	4.84	6.50	8 @ 0.750	
D4860	12.87	1.19	3.82	5.00	6.75	8 @ 0.634	with machined parking brake surface
D4872	12.87	1.19	4.25	4.85	5.75	8 @ 0.515	with machined parking brake surface
D4868	12.87	1.39	4.06	4.81	6.50	8 @ 0.665	
D4858	12.87	1.50	4.87	4.85	5.75	8 @ 0.503	
D4713	12.88	1.19	2.78	5.00	6.50	8 @ 0.689	
D4673	12.88	1.54	3.06	5.00	6.50	8 @ 0.592	
D4698	12.88	1.54	3.06	5.00	6.50	8 @ 0.690	
D4903	12.94	1.18	3.25	5.12	6.50	8 @ 0.644	
D4901	13.00	1.15	3.31	4.64	6.50	8 @ 0.630	with machined parking brake surface
D4902	13.00	1.15	3.56	4.83	6.50	8 @ 0.640	with machined parking brake surface
D4801	13.00	1.19	3.11	5.09	6.50	8 @ 0.642	
D4896	13.00	1.50	3.94	5.08	6.75	8 @ 0.640	
D4891	13.12	0.55	3.12	3.43	5.75	7 @ 0.560	Not a vented rotor
D4817	13.58	1.43	4.37	5.50	7.25	10 @ 0.674	
D4667	13.74	1.54	4.38	5.50	7.25	10 @ 0.665	
D4816	13.85	1.43	2.94	5.01	6.34	5 @ 0.664	
D4712	14.24	1.54	3.21	5.13	6.50	8 @ 0.656	
D4897	14.50	1.50	3.94	5.09	6.75	8 @ 0.646	

# Light Duty Rotors

# Light Duty Rotors Listed by Part Number

Light Duty Rotors

Part Number	Type	O.D. (A)	Thickness (B)
D0179	HR	12.50	1.29
D0181	HR	11.61	1.29
D4520	HR	12.50	1.29
D4530	HR	11.00	1.00
D4542	HR	12.56	1.00
D4545	HR	12.56	1.00
D4560	HR	11.86	1.29
D4563	HR	11.00	1.25
D4565	HR	12.66	1.19
D4580	HR	11.72	1.19
D4598	HR	12.56	1.25
D4604	RO	11.72	1.19
D4620	RO	12.50	1.29
D4627	HR	12.50	1.54
D4629	RO	12.56	1.25
D4633	RO	11.72	1.19
D4635	RO	11.86	1.19
D4640	RO	12.82	1.19
D4641	RO	12.82	1.19
D4654	RO	12.56	1.25
D4656	HR	12.82	1.25
D4660	RO	12.56	1.25
D4664	HR	10.50	1.04
D4667	RO	13.74	1.54
D4673	RO	12.88	1.54
D4687	HR	10.28	0.87
D4698	RO	12.88	1.54
D4704	HR	11.75	1.25
D4712	RO	14.24	1.54
D4713	RO	12.88	1.19
D4714	RO	12.75	1.18
D4720	HR	11.61	1.04
D4721	RO	11.61	1.04
D4722	RO	11.61	1.29
D4723	HR	12.56	1.25
D4724	HR	10.71	0.87
D4726	RO	12.56	1.25
D4727	RO	12.76	1.18
D4729	HR	11.42	0.87
D4742	RO	12.56	1.25
D4748	HR	12.56	1.54
D4749	HR	12.50	1.54
D4750	RO	12.50	1.29
D4751	RO	12.50	1.54
D4753	HR	10.87	0.87
D4757	HR	11.30	0.95

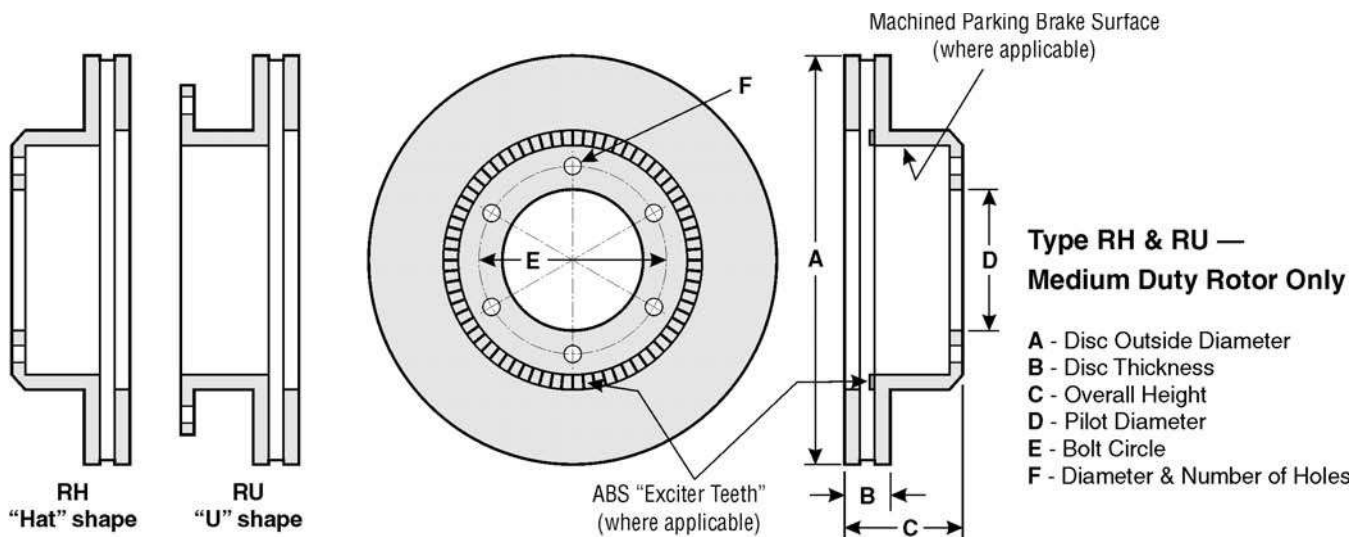
Part Number	Type	O.D. (A)	Thickness (B)
D4758	RO	11.30	0.95
D4763	HR	12.56	1.25
D4764	HR	11.61	1.29
D4765	HR	11.61	1.29
D4776	HR	13.00	1.19
D4777	HR	13.00	1.19
D4779	HR	13.00	1.19
D4786	HR	11.72	1.03
D4800	HR	12.50	1.54
D4801	RO	13.00	1.19
D4802	HR	12.50	1.29
D4810	HR	11.86	1.29
D4814	HR	12.50	1.54
D4815	HR	12.50	1.29
D4816	RO	13.85	1.43
D4817	RO	13.58	1.43
D4823	HR	11.61	1.29
D4831	HR	11.61	1.29
D4832	RO	11.61	1.29
D4833	HR	12.50	1.29
D4837	RO	11.26	1.03
D4838	RO	11.21	0.47
D4847	HR	11.72	1.03
D4850	HR	12.56	1.25
D4856	HR	13.00	1.19
D4858	RO	12.87	1.50
D4859	RO	12.75	1.18
D4860	RO	12.87	1.18
D4868	RO	12.87	1.39
D4872	RO	12.87	1.19
D4876	HR	12.50	1.54
D4877	HR	11.75	1.25
D4878	HR	12.75	1.25
D4881	RO	12.81	1.19
D4890	HR	12.12	1.18
D4891	RO	13.12	0.55
D4894	HR	13.00	1.50
D4895	HR	13.00	1.50
D4896	RO	13.00	1.50
D4897	RO	14.50	1.50
D4899	RO	12.75	1.50
D4901	RO	13.00	1.15
D4902	RO	13.00	1.15
D4903	RO	12.94	1.18
D4904	HR	13.00	1.50
D4905	RO	12.81	1.18

# Medium Duty Rotors Listed by Size

# Medium Duty Rotors

Medium Duty Rotors

## Type RH and RU - Medium Duty Rotor Only



## Medium Duty Rotors - Listed By Size

Part No.	O.D. (A)	Thickness (B)	Overall Height (C)	Pilot Diameter (D)	Bolt Circle (E)	Diameter/ No. of Holes (F)	Remarks
<b>RH - 'Hat' Shaped Rotor</b>							
23126229	11.11	1.38	2.47	4.33	5.35	12 @ 0.500	
D106835	12.90	1.50	4.87	4.85	5.75	10 @ 0.531	
23123041005	14.25	1.44	3.00	4.60	6.00	5 @ 0.531	
23123046002	14.25	1.44	3.00	4.60	6.00	6 @ 0.531	
D4857	14.50	1.50	3.68	5.06	6.75	8 @ 0.634	
122687	14.75	1.35	3.81	5.40	6.75	5 @ 0.656	Drilled for ABS applications
122688	14.75	1.35	3.81	5.40	6.75	6 @ 0.656	Drilled for ABS applications
122700	14.75	1.35	3.81	5.40	7.25	6 @ 0.781	Drilled for ABS applications
23123460002	14.75	1.35	3.81	5.75	7.25	6 @ 0.781	Drilled for ABS applications
123296	14.75	1.35	3.81	6.00	7.25	10 @ 0.594	Drilled for ABS applications
123439	14.75	1.35	3.81	6.00	7.25	10 @ 0.781	
23105424	14.75	1.35	7.50	5.40	8.75	6 @ 0.652	
23123550002	15.00	1.44	3.25	6.00	7.25	10 @ 0.594	with ABS "Exciter Teeth"
154770	15.00	1.44	3.44	5.40	6.75	6 @ 0.760	with ABS "Exciter Teeth"
23123572002	15.00	1.44	3.56	5.40	6.75	6 @ 0.775	with ABS "Exciter Teeth"
23123573002	15.00	1.44	3.56	5.40	6.75	5 @ 0.775	with ABS "Exciter Teeth"
122897	15.00	1.44	4.44	6.00	7.25	10 @ 0.578	
23123552002	15.00	1.44	4.50	6.00	7.25	10 @ 0.594	with ABS "Exciter Teeth"
123485	15.38	1.44	3.40	6.00	7.25	10 @ 0.594	Drilled for ABS applications
122729	15.38	1.54	3.40	6.00	7.25	10 @ 0.594	
123458	15.38	1.54	3.40	6.00	7.25	10 @ 0.656	
123489	15.38	1.54	3.40	6.00	7.25	10 @ 0.594	Drilled for ABS applications
D4861	15.50	1.50	4.87	5.49	6.75	10 @ 0.507	with machined parking brake surface

Continued on Following Page.

# Medium Duty Rotors

# Medium Duty Rotors Listed by Part Number

Medium Duty Rotors

## Medium Duty Rotors - Listed By Size Continued

Part No.	O.D. (A)	Thickness (B)	Overall Height (C)	Pilot Diameter (D)	Bolt Circle (E)	Diameter/ No. of Holes (F)	Remarks
<b>RU - 'U' Shaped Rotor</b>							
122701	15.00	1.44	4.49	9.19	11.25	5 @ 0.656	
122920	15.00	1.44	4.49	9.19	11.25	5 @ 0.781	
122962	15.00	1.44	6.06	14.25	12.75	5 @ 0.781	Peripheral mount pilot
122728	15.00	1.44	6.12	14.25	12.75	5 @ 0.688	Peripheral mount pilot
122527	15.00	1.44	6.81	7.00	8.75	6 @ 0.812	
122945	15.00	1.44	6.81	9.38	11.25	10 @ 0.812	
23123433005	15.38	1.44	6.12	9.50	11.25	10 @ 0.812	
23122691002	15.38	1.54	4.75	9.25	11.25	6 @ 0.781	
23122743002	15.38	1.54	6.02	6.44	8.75	6 @ 0.844	
23122703002	15.38	1.54	6.06	8.69	11.25	10 @ 0.844	
23122693006	15.38	1.54	6.22	9.50	11.25	10 @ 0.812	
23123341004	15.38	1.54	7.82	8.35	10.83	8 @ 0.844	

## Medium Duty Rotors - Listed By Part Number

Part No.	Type	O.D. (A)	Thickness (B)	Part No.	Type	O.D. (A)	Thickness (B)
122527	RU	15.00	1.44	23122691002	RU	15.38	1.54
122687	RH	14.75	1.35	23122693006	RU	15.38	1.54
122688	RH	14.75	1.35	23122703002	RU	15.38	1.54
122700	RH	14.75	1.35	23122743002	RU	15.38	1.54
122701	RU	15.00	1.44	23123041005	RH	14.25	1.44
122728	RU	15.00	1.44	23123046002	RH	14.25	1.44
122729	RH	15.38	1.54	23123341004	RU	15.38	1.54
122897	RH	15.00	1.44	23123433005	RU	15.38	1.44
122920	RU	15.00	1.44	23123460002	RH	14.75	1.35
122945	RU	15.00	1.44	23123550002	RH	15.00	1.44
122962	RU	15.00	1.44	23123552002	RH	15.00	1.44
123296	RH	14.75	1.35	23123572002	RH	15.00	1.44
123439	RH	14.75	1.35	23123573002	RH	15.00	1.44
123458	RH	15.38	1.54	23126229	RH	11.11	1.38
123485	RH	15.38	1.44	D106835	RH	12.90	1.50
123489	RH	15.38	1.54	D4857	RH	14.50	1.50
154770	RH	15.00	1.44	D4861	RH	15.50	1.50
23105424	RH	14.75	1.35				

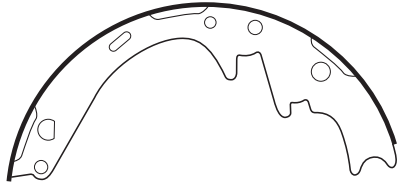
# Brake Shoe Illustrations

# Brake Shoes

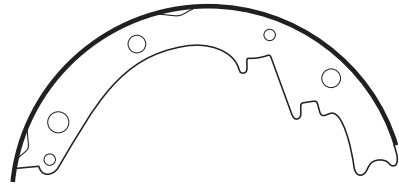
Shoes are listed by overall diameter and width.

Brake Shoes

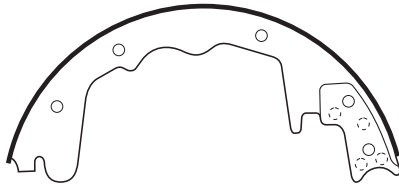
**S582N** 11.03 x 2.25



**S473N** 11.16 x 2.75

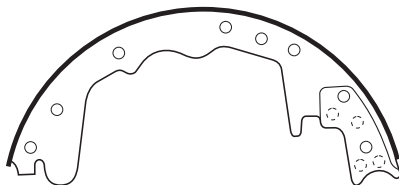


**S357Np** 12 x 2.50



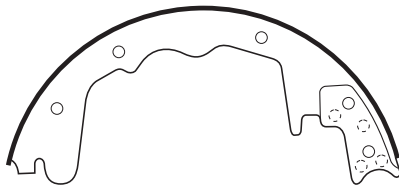
Primary Shoe

**S357Ns** 12 x 2.50



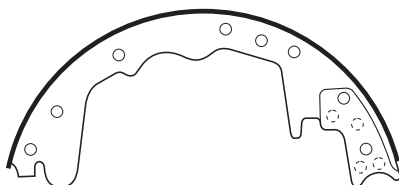
Secondary Shoe

**S358Np** 12 x 3



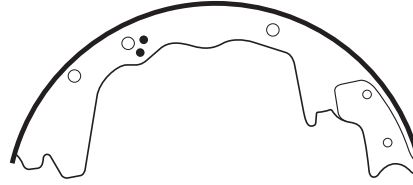
Primary Shoe

**S358Ns** 12 x 3



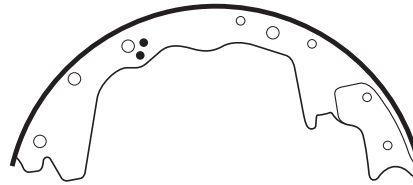
Secondary Shoe

**S583Np** 12.13 x 3.50



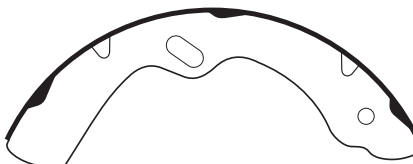
Primary Shoe

**S583Ns** 12.13 x 3.50



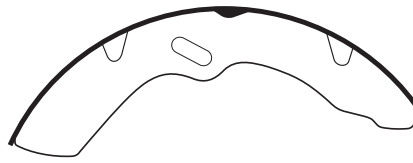
Secondary Shoe

**S612** 320 x 75  
(12.60 x 2.95)



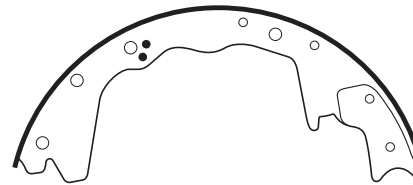
Shown for reference only.  
Use Lining Set PN **1416**

**S683** 320 x 75  
(12.60 x 2.95)



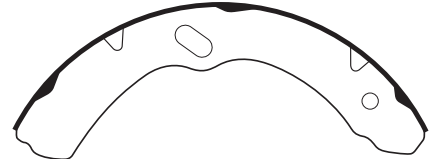
Shown for reference only.  
Use Lining Set PN **1468**

**S726** 320 x 75  
(12.60 x 2.95)



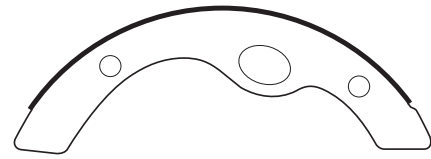
Shown for reference only.  
Use Lining Set PN **1417**

**S699** 320 x 100  
(12.60 x 3.94)



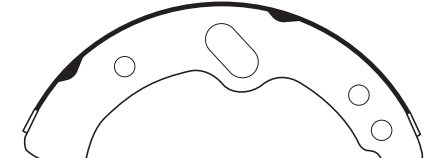
Shown for reference only.  
Use Lining Set PN **1482**

**S602** 320 x 110  
(12.60 x 4.33)



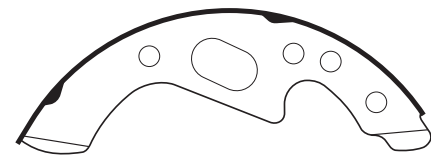
Shown for reference only.  
Use Lining Set PN **1410**

**S672** 320 x 110  
(12.60 x 4.33)



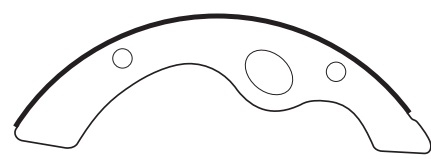
Shown for reference only.  
Use Lining Set PN **1458**

**S669** 320 x 120  
(12.60 x 4.72)



Shown for reference only.  
Use Lining Set PN **1455**

**S632** 320 x 130  
(12.60 x 5.12)



Shown for reference only.  
Use Lining Set PN **1434**

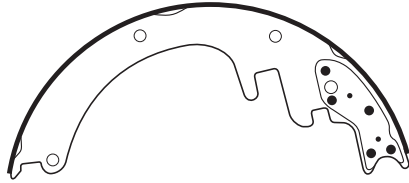
# Brake Shoes

# Disc Brake Pad Illustrations

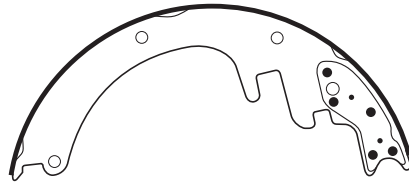
Brake Shoes

Shoes are listed by overall diameter and width.

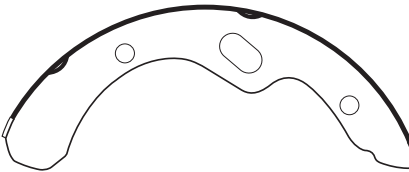
**S451N** 13 x 2.50



**S452N** 13 x 3.50

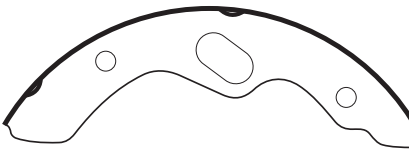


**S603** 370 x 100  
(14.56 x 3.94)



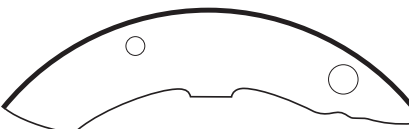
Shown for reference only.  
Use Lining Set PN **1411**

**S604** 370 x 135  
(14.56 x 5.31)



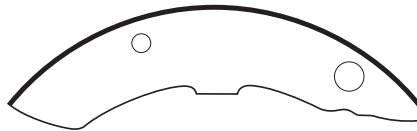
Shown for reference only.  
Use Lining Set PN **1412**

**S542N** 15 x 5



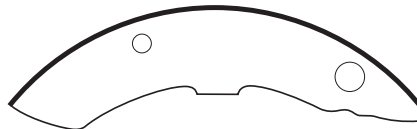
Shoe Available unlined only.  
PN **18-4084**

**S543N** 15 x 6



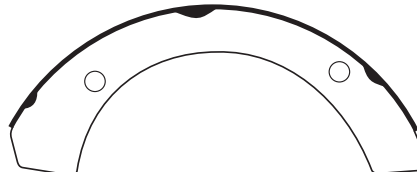
Shoe Available unlined only.  
PN **18-4085**

**S544N** 15 x 7



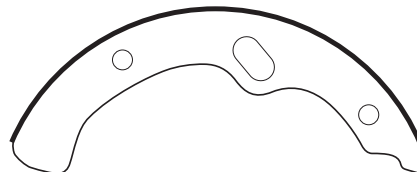
Shoe Available unlined only.  
PN **18-4086**

**S616** 400 x 115  
(15.75 x 4.53)



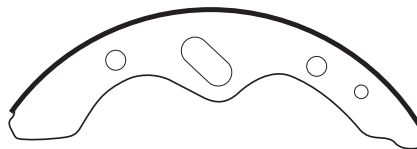
Shown for reference only.  
Use Lining Set PN **1421**

**S617** 400 x 120  
(15.75 x 4.72)



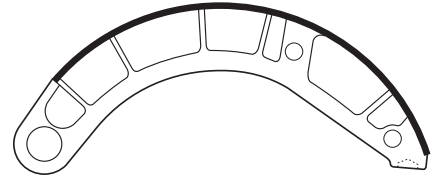
Shown for reference only.  
Use Lining Set PN **1422**

**S614** 400 x 154  
(15.75 x 6.06)



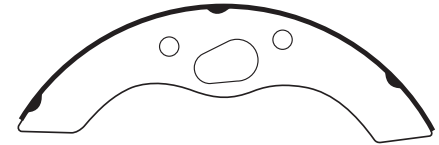
Shown for reference only.  
Use Lining Set PN **1419**

**S613** 405 x 144  
(15.94 x 5.67)



Shown for reference only.  
Use Lining Set PN **1418**

**S615** 410 x 115  
(16.14 x 4.53)

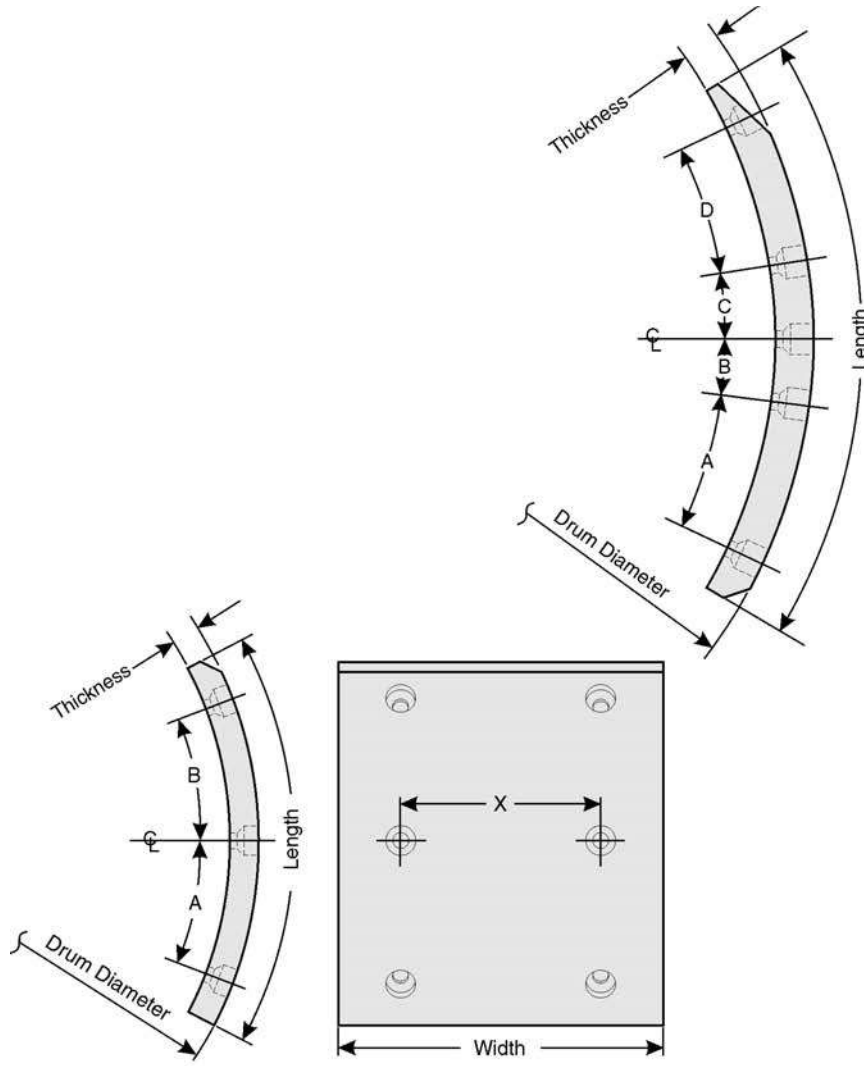


Shown for reference only.  
Use Lining Set PN **1420**

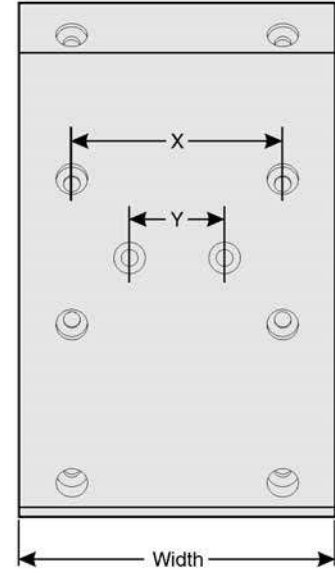
# Strip Lining Illustrations

# Brake Shoe Strip Lining

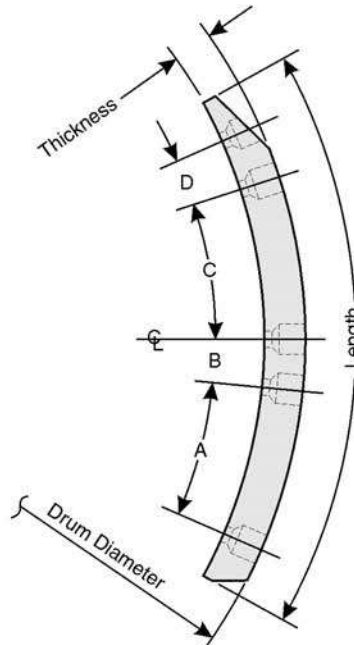
## Brake Shoe Strip Lining



6A Drill Pattern



10A Drill Pattern



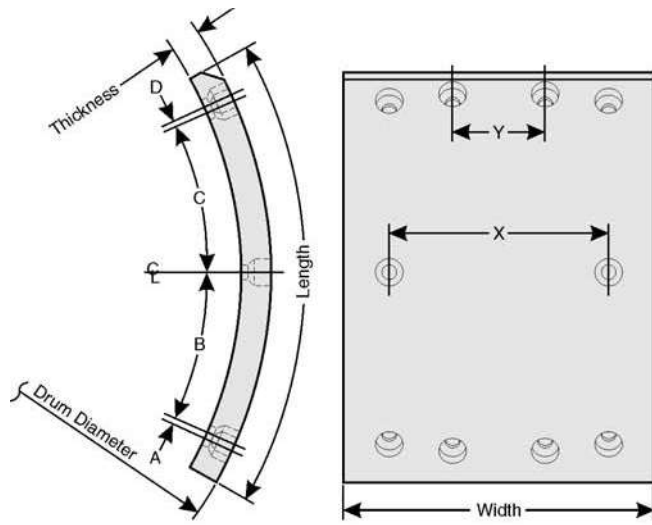
10B Drill Pattern



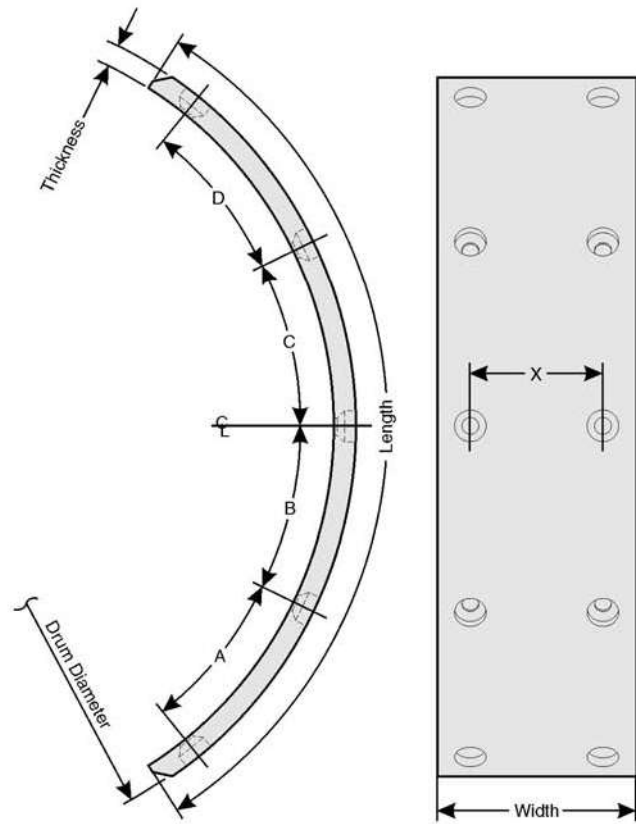
# Brake Shoe Strip Lining

## Strip Lining Illustrations

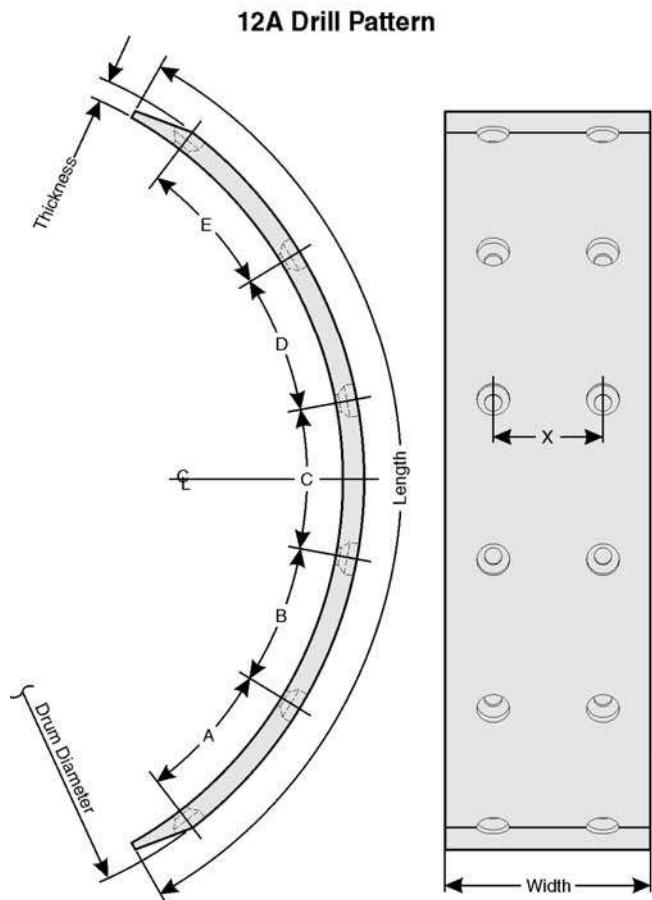
### Brake Shoe Strip Lining



10C Drill Pattern



10D Drill Pattern



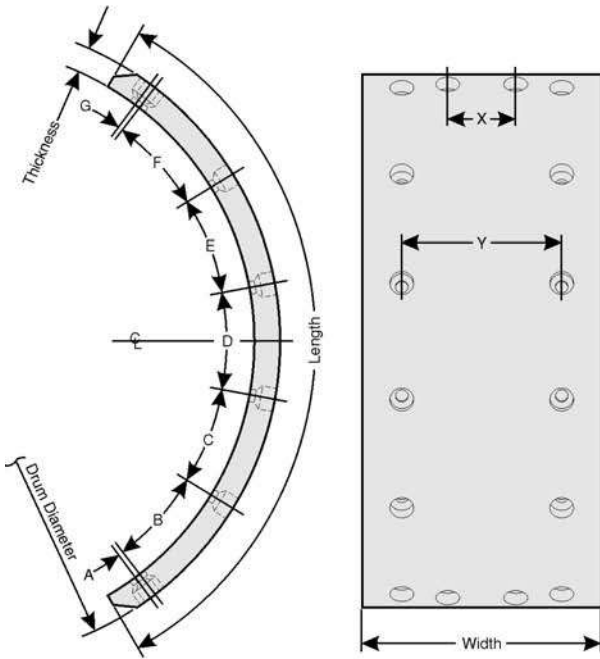
12A Drill Pattern



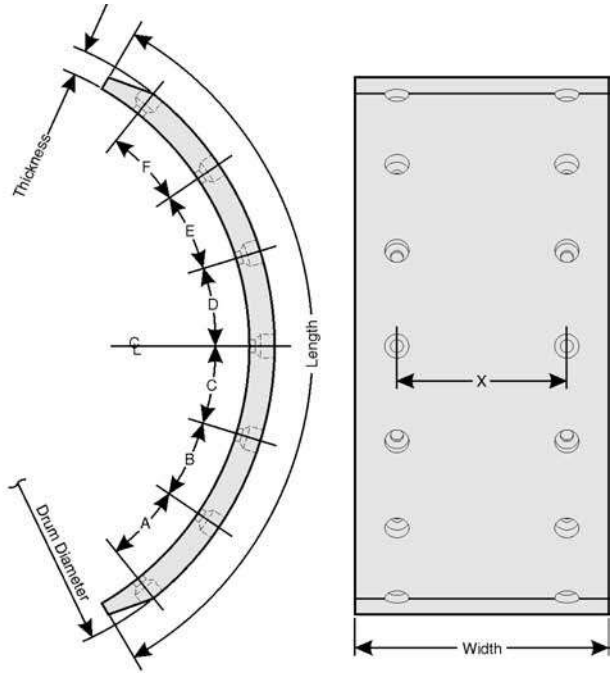
# Strip Lining Illustrations

# Brake Shoe Strip Lining

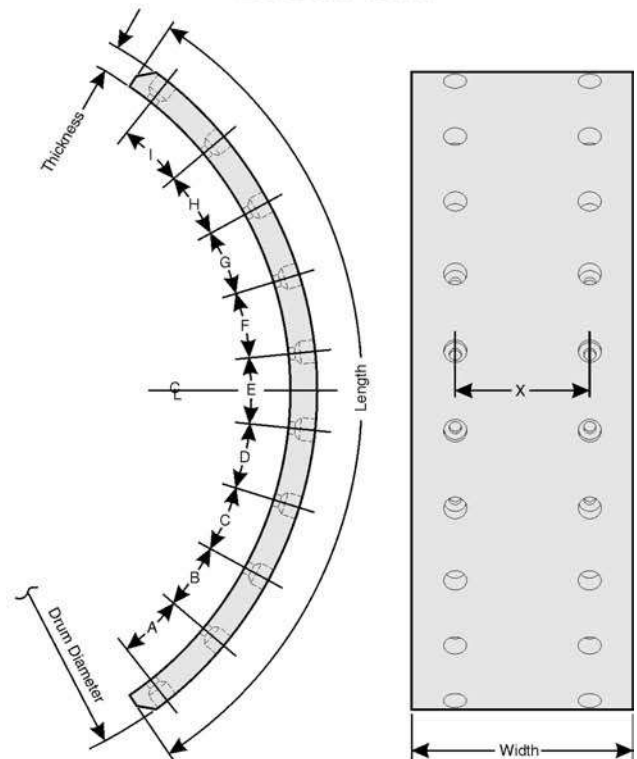
## Brake Shoe Strip Lining



16A Drill Pattern



14A Drill Pattern



20A Drill Pattern

# Brake Shoe Strip Lining

## Strip Lining Dimension Chart

Brake Shoe Strip Lining

**Lining Dimension Chart - Part A**

Drill Pattern	Drum Diameter	Lining Wdth	Lining Length	Lining Thickness	Bolt (B) Rivet (R)	X	Y	Counterbore Angle	Pieces per set	FMSI Number
6A	12.600	4.330	6.060	0.453	1/4 R	2.756	-	180°	8	1410
6A	12.600	5.120	6.060	0.453	1/4 R	3.150	-	180°	8	1434
10D	12.600	2.950	12.130	0.327	1/4 R	1.575	-	180°	4	1416
10D	12.600	2.950	12.130	0.386	1/4 R	1.575	-	180°	4	1417
10D	12.600	2.950	12.660	0.327	1/4 R	1.968	-	180°	4	1468
10C	14.570	5.310	7.480	0.512	1/4 R	3.740	1.575	180°	8	1412
10A	15.750	4.720	8.410	0.575	1/4 R	3.150	1.418	180°	8	1422
10B	16.140	5.510	8.180	0.622	1/4 R	2.244	4.095	150°	8	1418
12A	12.600	3.940	13.190	0.433	1/4 R	2.362	-	180°	4	1482
12A	15.750	6.060	7.830	0.575	1/4 R	4.567	2.205	180°	8	1419
14A	12.600	4.320	13.230	0.453	1/4 R	2.756	-	180°	4	1458
14A	14.570	3.940	15.160	0.512	1/4 R	2.598	-	180°	4	1411
16A	12.600	4.720	13.170	0.508	1/4 R	1.338	3.150	180°	4	1455
16A	15.750	4.530	16.000	0.469	1/4 R	2.756	-	150°	4	1421
20A	16.140	4.530	15.750	0.551	1/4 R	2.756	-	150°	4	1420

All dimensions are listed in inches.

**Lining Dimension Chart - Part B**

Drill Pattern	A	B	C	D	E	F	G	H	I	FMSI Number
6A	2.128	2.128	-	-	-	-	-	-	-	1410
6A	2.136	2.136	-	-	-	-	-	-	-	1434
10D	2.483	2.483	2.483	2.483	-	-	-	-	-	1416
10D	2.483	2.483	2.483	2.483	-	-	-	-	-	1417
10D	2.608	2.710	2.710	2.608	-	-	-	-	-	1468
10C	0.118	2.815	2.815	0.118	-	-	-	-	-	1412
10A	2.291	0.929	1.091	2.161	-	-	-	-	-	1422
10B	2.331	0.775	2.331	0.775	-	-	-	-	-	1418
12A	2.153	2.153	2.153	2.153	2.153	-	-	-	-	1482
12A	3.114	2.861	-	-	-	-	-	-	-	1419
14A	1.778	1.778	1.778	1.778	1.778	1.778	-	-	-	1458
14A	2.163	2.163	2.163	2.163	2.163	2.163	-	-	-	1411
16A	0.105	2.122	2.122	2.122	2.122	2.122	0.105	-	-	1455
16A	1.936	1.936	1.936	1.936	1.936	1.936	1.936	-	-	1421
20A	1.505	1.505	1.505	1.505	1.505	1.505	1.505	1.505	1.505	1420

All dimensions are listed in inches.

# Brake Shoe Index/ Wheel Cylinder Chart

# Hydraulic Drum Brakes

## Hydraulic Drum Brakes

### Brake Shoe Index

Shoe Part No.	OEM & Shoe Size	Page Number
S357N	Ford (Bendix) 12" x 2.5"	61
S358N	Ford (Bendix) 12" x 3"	62
S451N	GM 13" x 2.5"	63
S452N	GM 13" x 3.5"	64
S473N	GM 11.15" x 2.75"	65
S583N	Ford (Bendix) 12.13" x 3.50"	66
S602N	Nissan 320 x 110mm (12.60" x 4.33")	67
S603N	GM/Isuzu 370 x 100 mm (14.56" x 3.94")	68
S604N	Navistar 370 x 135mm (14.56" x 5.31")	69
S612N	GM/Isuzu 320 x 75mm (12.60" x 2.95")	70
S613N	GM/Isuzu 405 x 144mm (15.94" x 5.67")	71
S614N	Hino 400 x 154mm (15.75" x 6.06")	72
S615N	GM/Isuzu 410 x 115mm (16.17" x 4.53")	73
S616N	GM/Isuzu 400 x 115mm (15.75" x 4.53")	74
S617N	Hino 400 x 120 mm (15.75" x 4.72")	75
S632N	Mitsu/Fuso 320 x 130mm (12.60" x 5.12")	76
S669N	GM/Isuzu 320 x 120mm (12.60" x 4.72")	77
S672N	GM/Isuzu 320 x 110mm (12.60" x 4.33")	78
S683N	Hino 320 x 75mm (12.60" x 2.95")	79
S699N	GM/Isuzu 320 x 100mm (12.60" x 3.94")	80

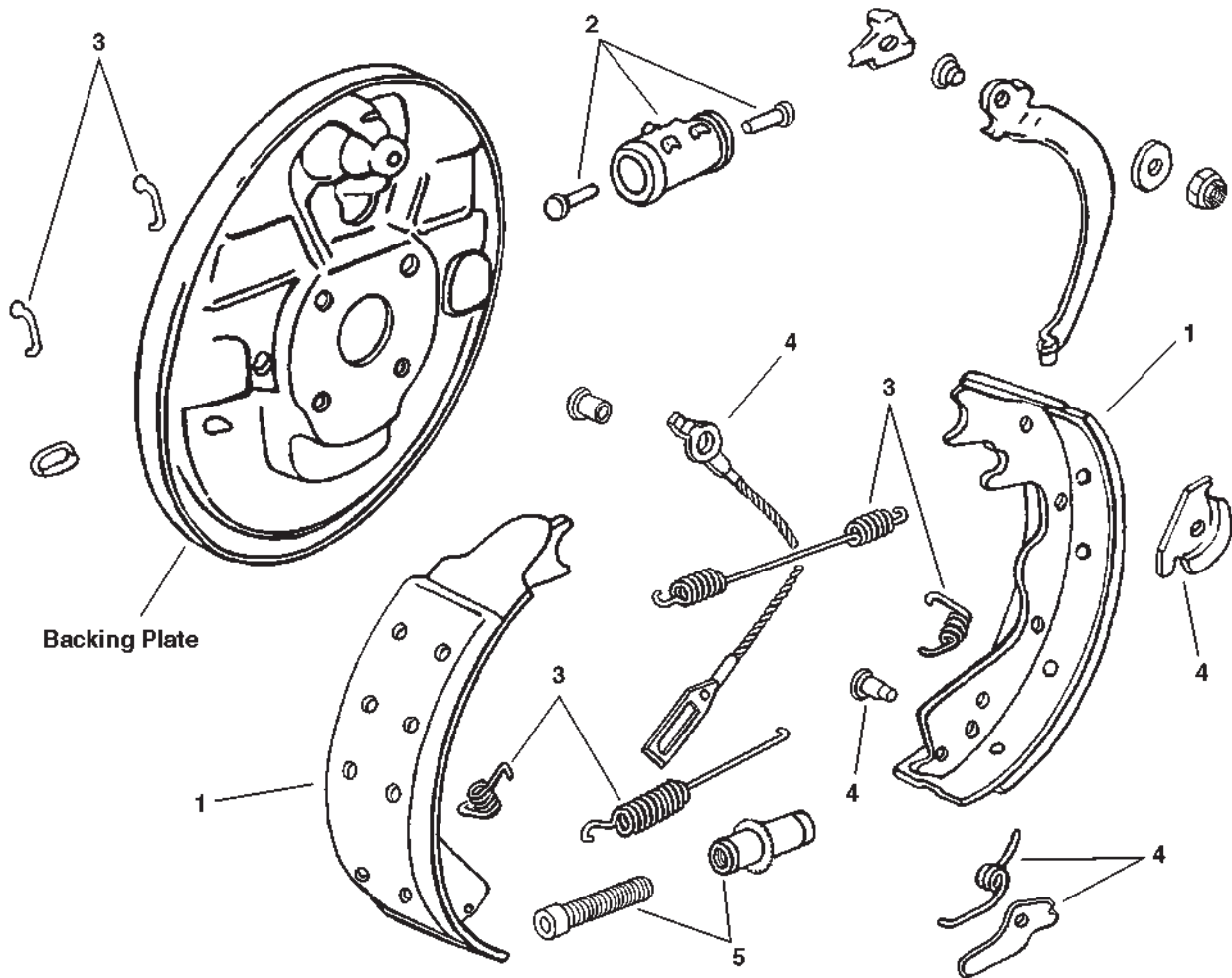
### Wheel Cylinders by Shoe Number

Shoe Part No.	Brake Size	Bore Size	Driver Side Wheel Cylinder	Passenger Side Wheel Cylinder
S357N	12" x 2.5"	0.875	602-246	602-247
		1.000	602-295	602-294
		1.062	602-193	602-194
		1.062	602-248	602-249
S358N	12" x 3"	0.875	602-280	602-247
		1.000	602-295	602-294
		1.062	602-193	602-194
		1.062	602-248	602-249
		1.125	602-263	602-264
		1.187	602-202	602-203
S451N	13" x 2.5"	0.937	602-521	602-521
		1.062	602-296	602-296
		1.125	602-263	602-264
S452N	13" x 3.5"	1.062	602-296	602-296
		1.187	602-297	602-297
S473N	11.15" x 2.75"	0.937	602-276	602-276
		1.000	602-206	602-206
		1.000	602-277	602-277
S583N	12.13" x 3.50"	1.000	602-295	602-294
		1.062	602-562	602-563
		1.125	602-263	602-264
		1.125	602-635	602-636
		1.187	602-202	602-203
S669	320 x 100mm (12.60" x 3.94")	1.500	602-235 F of R	602-237 F of R
		1.500	602-236 R of R	602-238 R of R
S672	320 x 110mm (12.60" x 4.33")	1.437	602-233	602-234

# Hydraulic Drum

**S357N - Ford (Bendix)**  
**12" x 2.5"**

Hydraulic Drum Brakes



**Note:** Non-Keyed Items are not serviced by Dayton Parts, Inc.

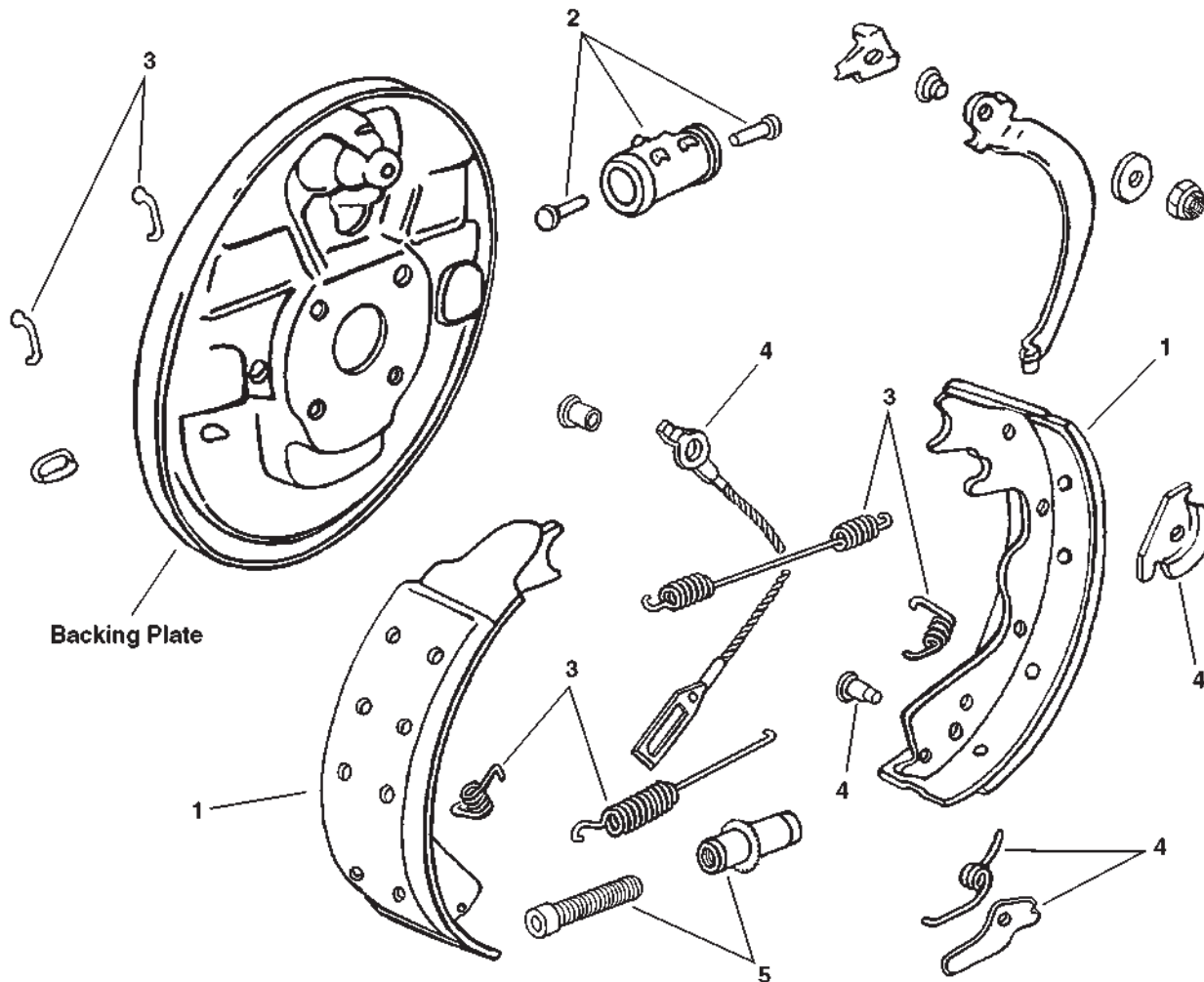
Key Number	Part Number	Description	Number Required	Remarks
1	<b>S357N</b>	Shoe Set	1	
2	-	Wheel Cylinder	2	See Chart Page 60
3	<b>CH7199</b>	Hardware Kit	1	
4	◆	Adjusting Kit	1	LH
	◆	Adjusting Kit	1	RH
5	◆	Adjusting Screw	1	LH
	◆	Adjusting Screw	1	RH

◆ Not Serviced by Dayton Parts

**S358N - Ford (Bendix)  
12" x 3"**

**Hydraulic Drum Brakes**

**Hydraulic Drum Brakes**



**Note:** Non-Keyed Items are not serviced by Dayton Parts, Inc.

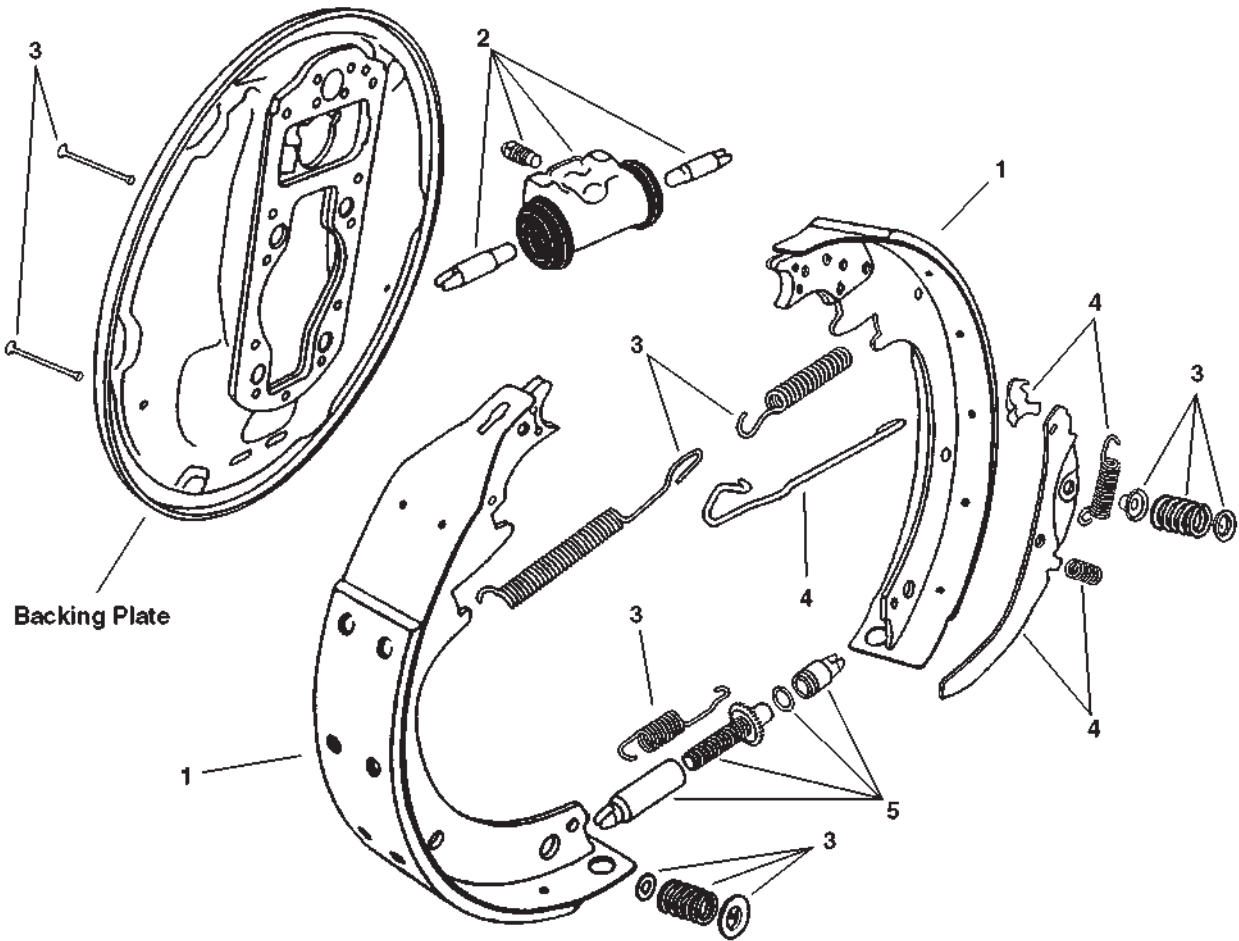
Key Number	Part Number	Description	Number Required	Remarks
1	S358N	Shoe Set	1	
2	-	Wheel Cylinder	2	See Chart Page 60
3	CH7199	Hardware Kit	1	
4	◆	Adjusting Kit	1	LH
	◆	Adjusting Kit	1	RH
5	◆	Adjusting Screw	1	LH
	◆	Adjusting Screw	1	RH

◆ Not Serviced by Dayton Parts

# Hydraulic Drum Brakes

S451N - GM  
13" x 2.5"

Hydraulic Drum Brakes



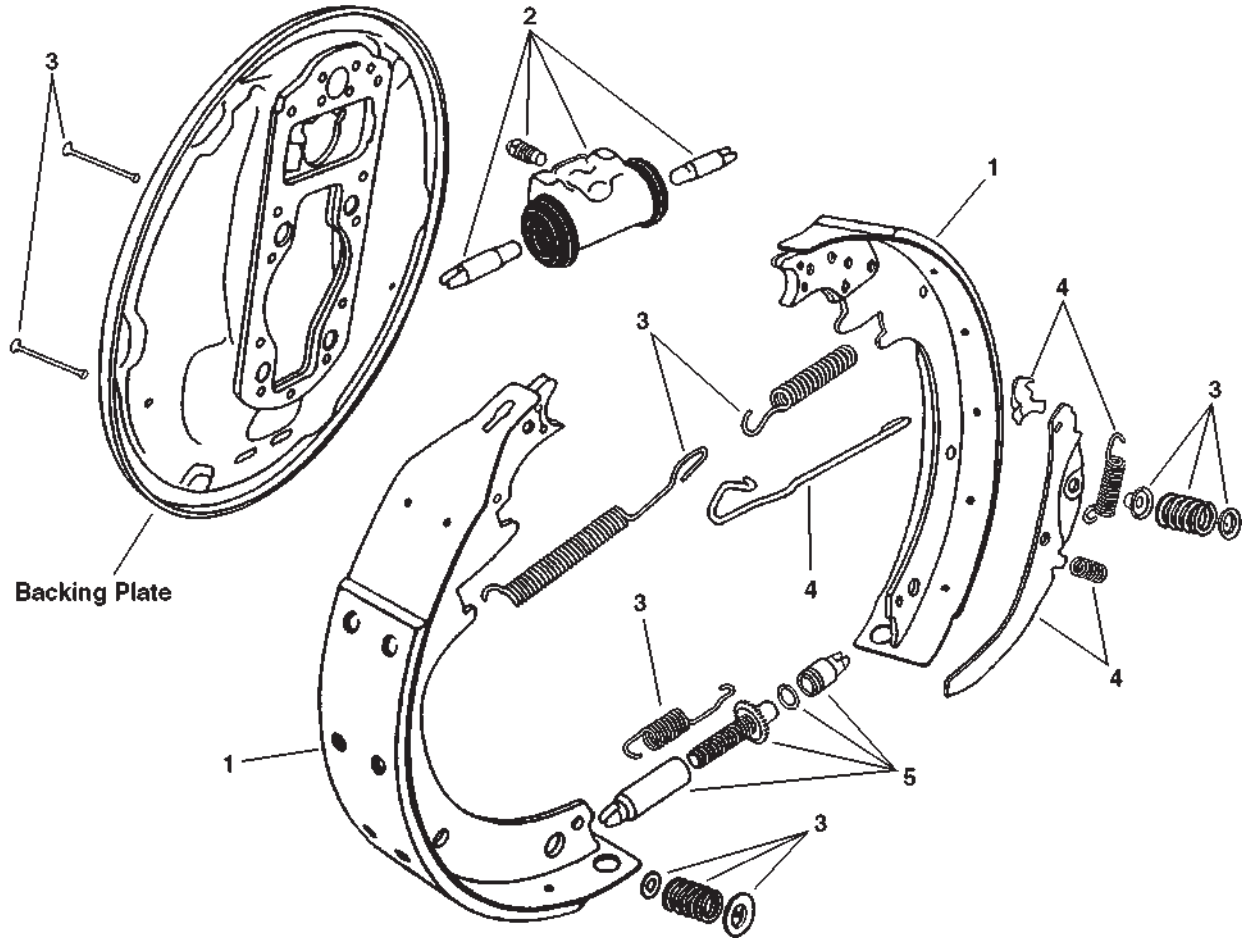
Note: Non-Keyed Items are not serviced by Dayton Parts, Inc.

Key Number	Part Number	Description	Number Required	Remarks
1	S451N	Shoe Set	1	
2	-	Wheel Cylinder	2	See Chart Page 60
3	CH7055	Hardware Kit	1	
4	CH2588	Adjusting Kit	1	LH
	CH2589	Adjusting Kit	1	RH
5	CH1550	Adjusting Screw	1	LH
	CH1551	Adjusting Screw	1	RH

**S452N - GM**  
**13" x 3.5"**

# Hydraulic Drum Brakes

Hydraulic Drum Brakes



**Note:** Non-Keyed Items are not serviced by Dayton Parts, Inc.

Key Number	Part Number	Description	Number Required	Remarks
1	S452N	Shoe Set	1	
2	-	Wheel Cylinder	2	See Chart Page 60
3	CH7055	Hardware Kit	1	
4	CH2588	Adjusting Kit	1	LH
	CH2589	Adjusting Kit	1	RH
5	CH1550	Adjusting Screw	1	LH
	CH1551	Adjusting Screw	1	RH

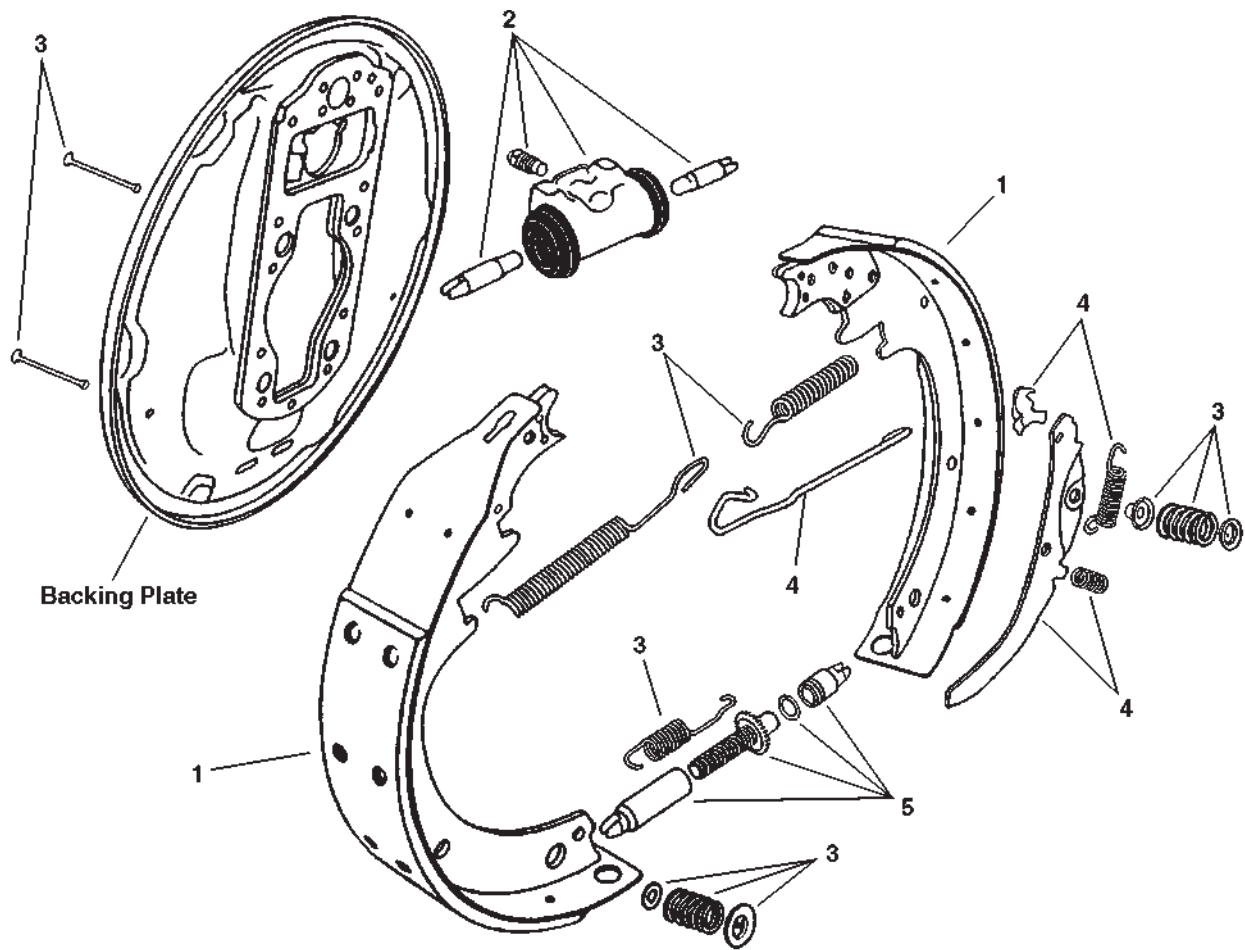
◆ Not Serviced by Dayton Parts



# Hydraulic Drum Brakes

S473N - GM  
11.15" x 2.75"

Hydraulic Drum Brakes



Note: Non-Keyed Items are not serviced by Dayton Parts, Inc.

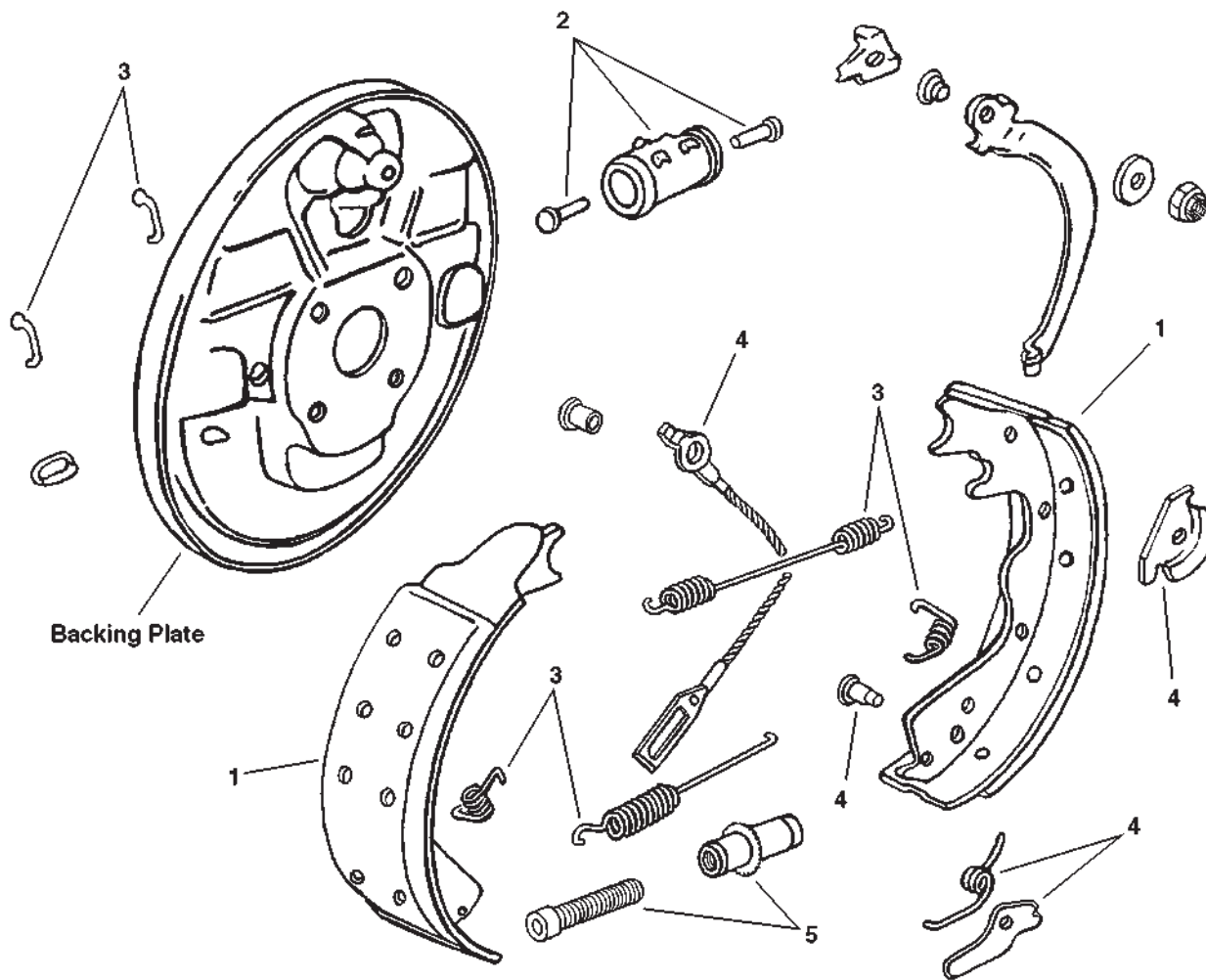
Key Number	Part Number	Description	Number Required	Remarks
1	S473N	Shoe Set	1	
2	-	Wheel Cylinder	2	See Chart Page 60
3	CH7046	Hardware Kit	1	
4	◆	Adjusting Kit	1	LH
	◆	Adjusting Kit	1	RH
5	CH1544	Adjusting Screw	1	LH
	CH1545	Adjusting Screw	1	RH

◆ Not Serviced by Dayton Parts

**S583N - Ford (Bendix)  
12.13" x 3.50"**

**Hydraulic Drum Brakes**

**Hydraulic Drum Brakes**



**Note:** Non-Keyed Items are not serviced by Dayton Parts, Inc.

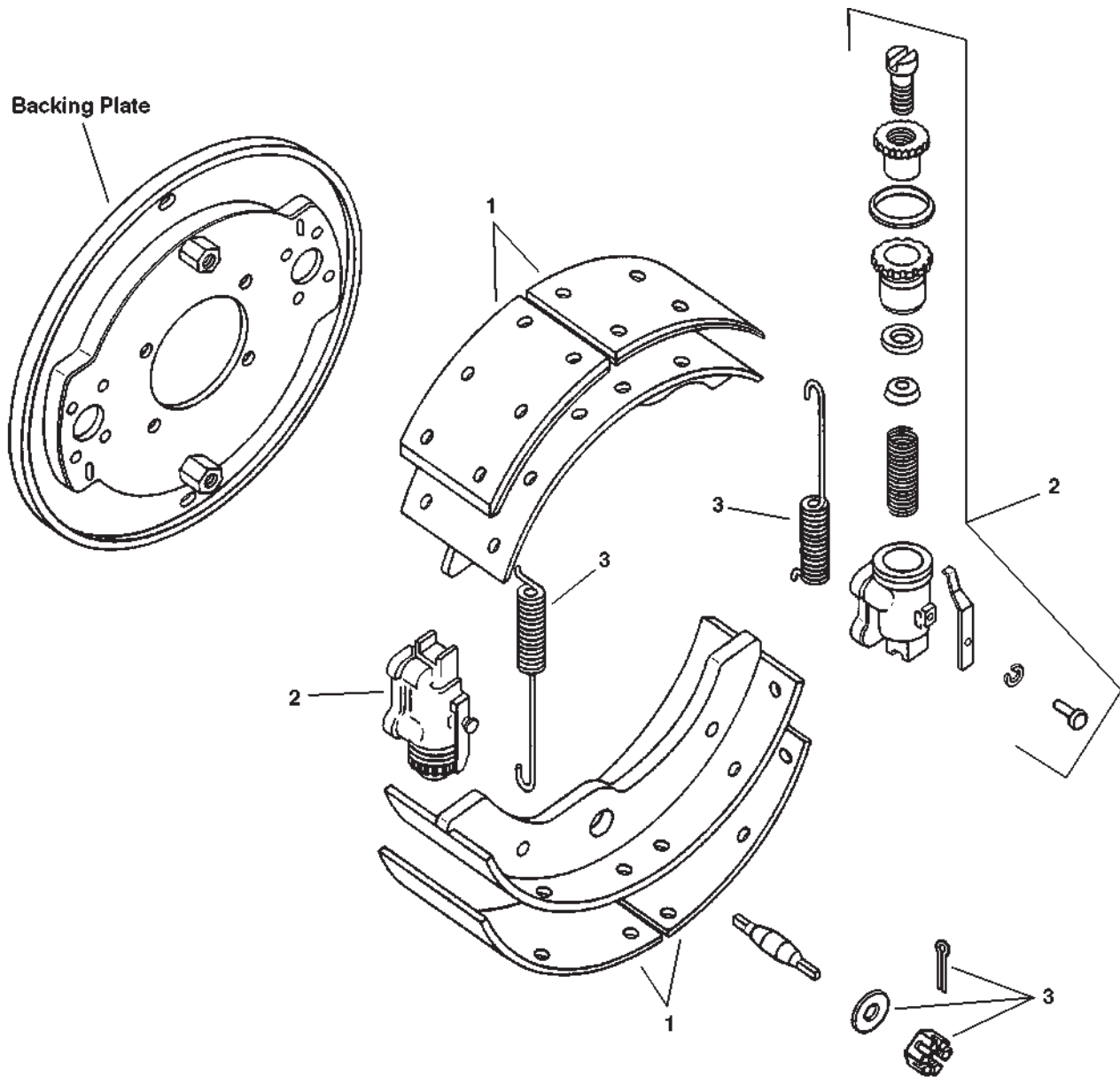
Key Number	Part Number	Description	Number Required	Remarks
1	S583N	Shoe Set	1	
2	-	Wheel Cylinder	2	See Chart Page 60
3	CH7209	Hardware Kit	1	
4	CH2598	Adjusting Kit	1	LH
	CH2599	Adjusting Kit	1	RH
5	CH1534	Adjusting Screw	1	LH
	CH1535	Adjusting Screw	1	RH

◆ Not Serviced by Dayton Parts

# Hydraulic Drum Brakes

S602N - Nissan  
320 x 110mm  
(12.60" x 4.33")

Hydraulic Drum Brakes



Note: Non-Keyed Items are not serviced by Dayton Parts, Inc.

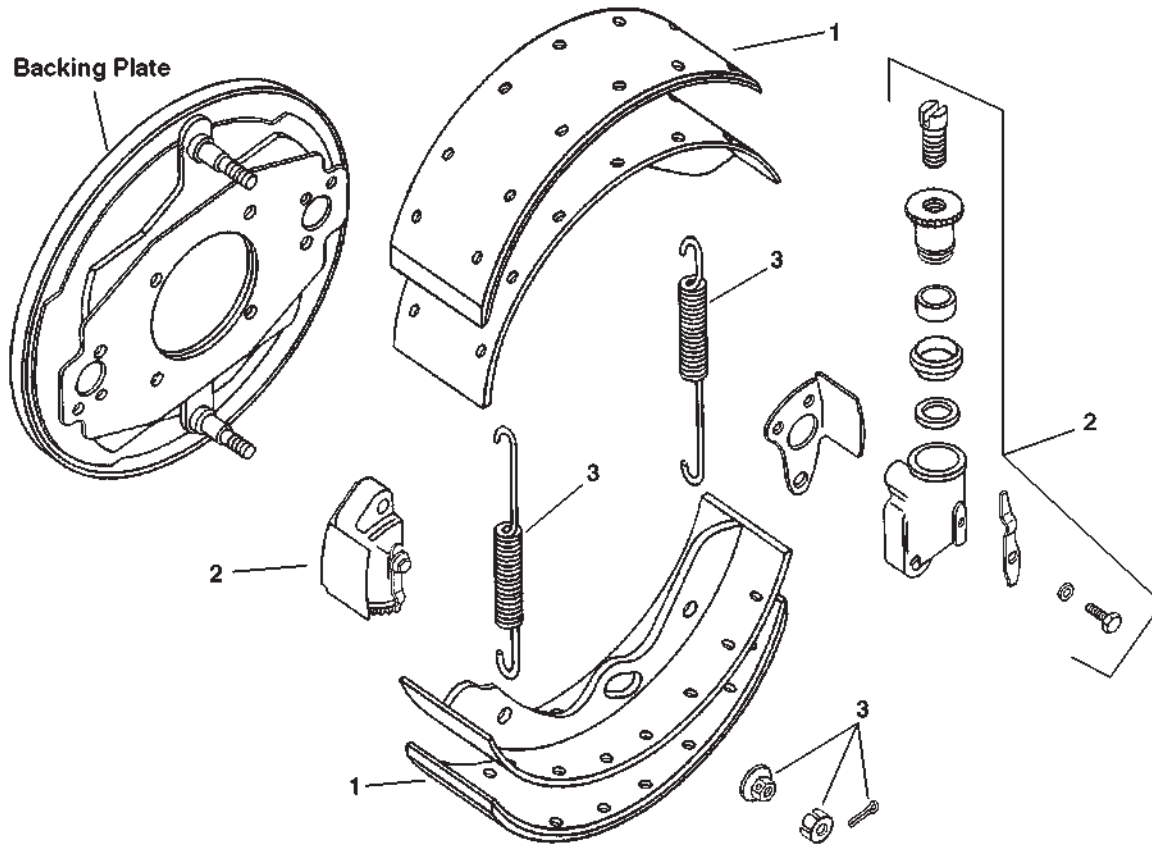
Key Number	Part Number	Description	Number Required	Remarks
1	1410	Shoe Set	1	Lining Only
2	◆	Wheel Cylinder	4	
3	◆	Hardware Kit	1	

◆ Not Serviced by Dayton Parts

**S603N - GM/Isuzu**  
**370 x 100 mm**  
**(14.56" x 3.94")**

# Hydraulic Drum Brakes

Hydraulic Drum Brakes



**Note:** Non-Keyed Items are not serviced by Dayton Parts, Inc.

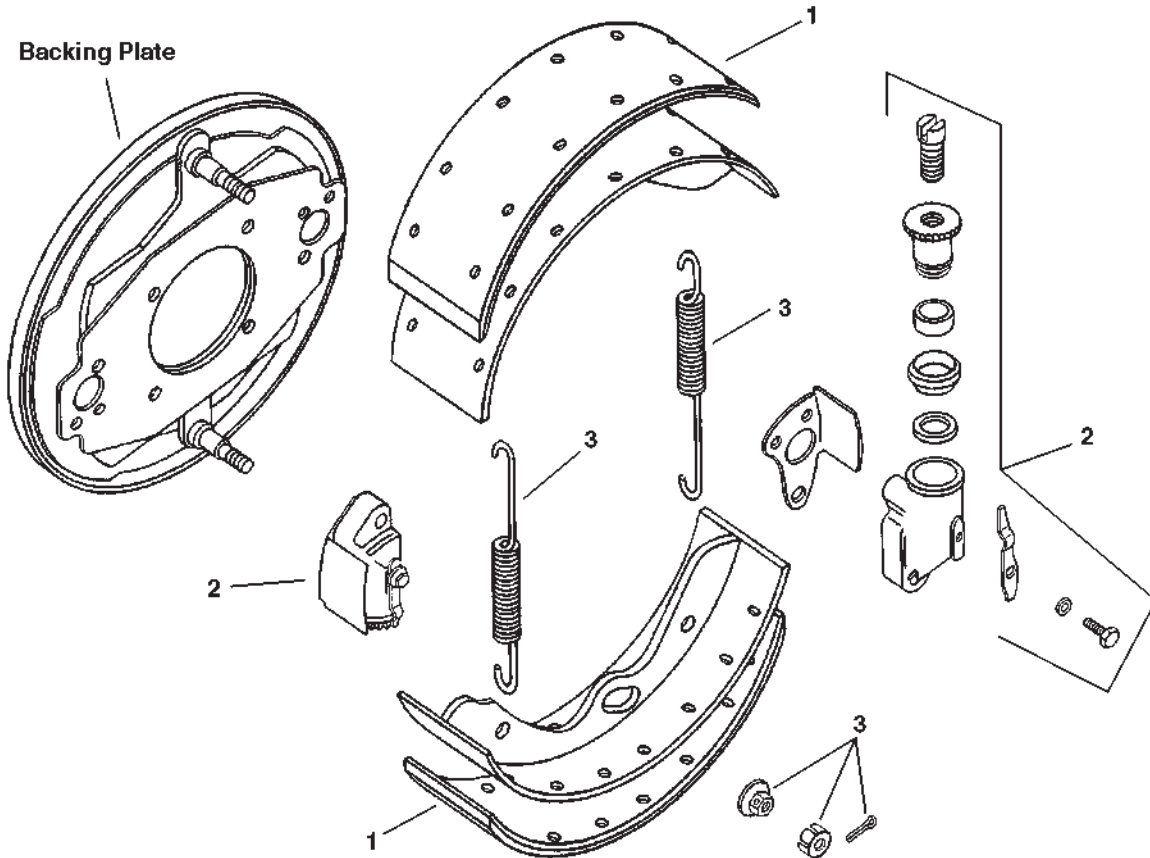
Key Number	Part Number	Description	Number Required	Remarks
1	1411	Shoe Set	1	Lining Only
2	◆	Wheel Cylinder	4	
3	◆	Hardware Kit	1	

◆ Not Serviced by Dayton Parts

# Hydraulic Drum Brakes

S604N - Navistar  
370 x 135mm  
(14.56" x 5.31")

Hydraulic Drum Brakes



Note: Non-Keyed Items are not serviced by Dayton Parts, Inc.

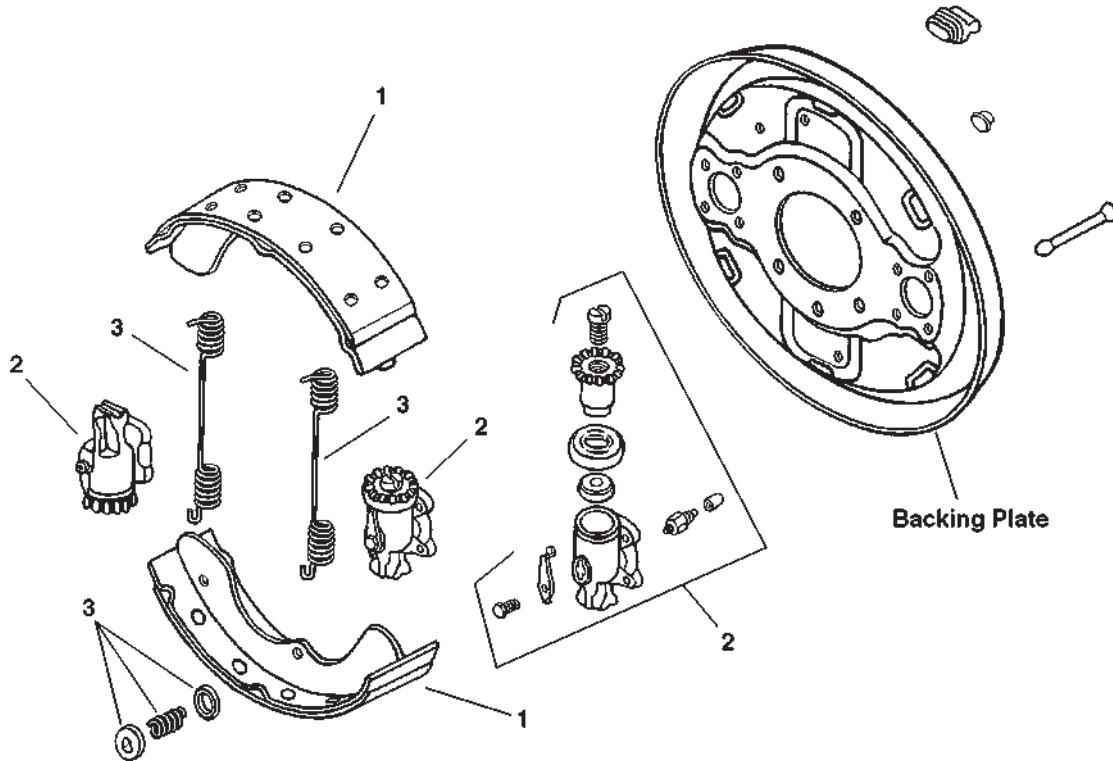
Key Number	Part Number	Description	Number Required	Remarks
1	1412	Shoe Set	1	Lining Only
2	◆	Wheel Cylinder	4	
3	◆	Hardware Kit	1	

◆ Not Serviced by Dayton Parts

**S612N - GM/Isuzu**  
**320 x 75mm**  
**(12.60" x 2.95")**

# Hydraulic Drum Brakes

Hydraulic Drum Brakes



**Note:** Non-Keyed Items are not serviced by Dayton Parts, Inc.

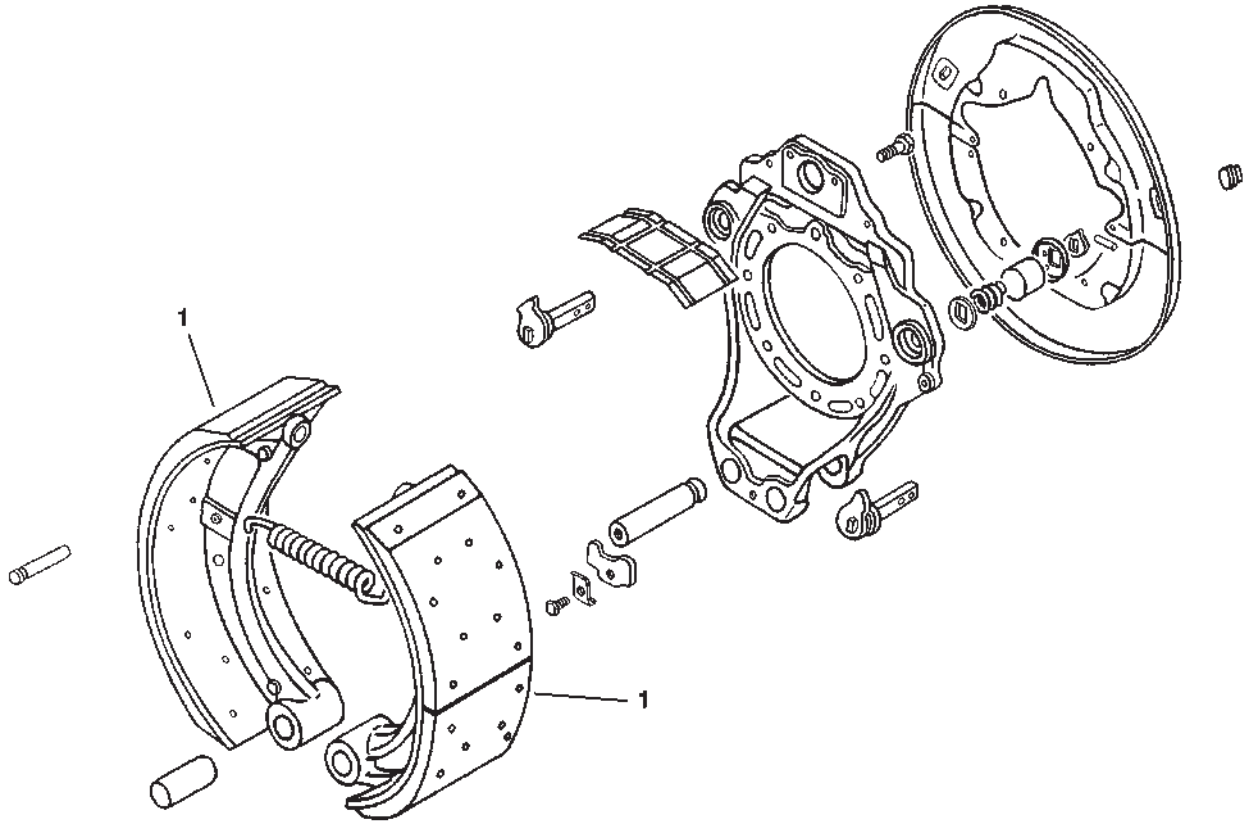
Key Number	Part Number	Description	Number Required	Remarks
1	1416	Shoe Set	1	Lining Only
2	◆	Wheel Cylinder	4	
3	CH9238	Hardware Kit	1	

◆ Not Serviced by Dayton Parts

# Hydraulic Drum Brakes

S613N - GM/Isuzu  
405 x 144mm  
(15.94" x 5.67")

Hydraulic Drum Brakes



**Note:** Non-Keyed Items are not serviced by Dayton Parts, Inc.

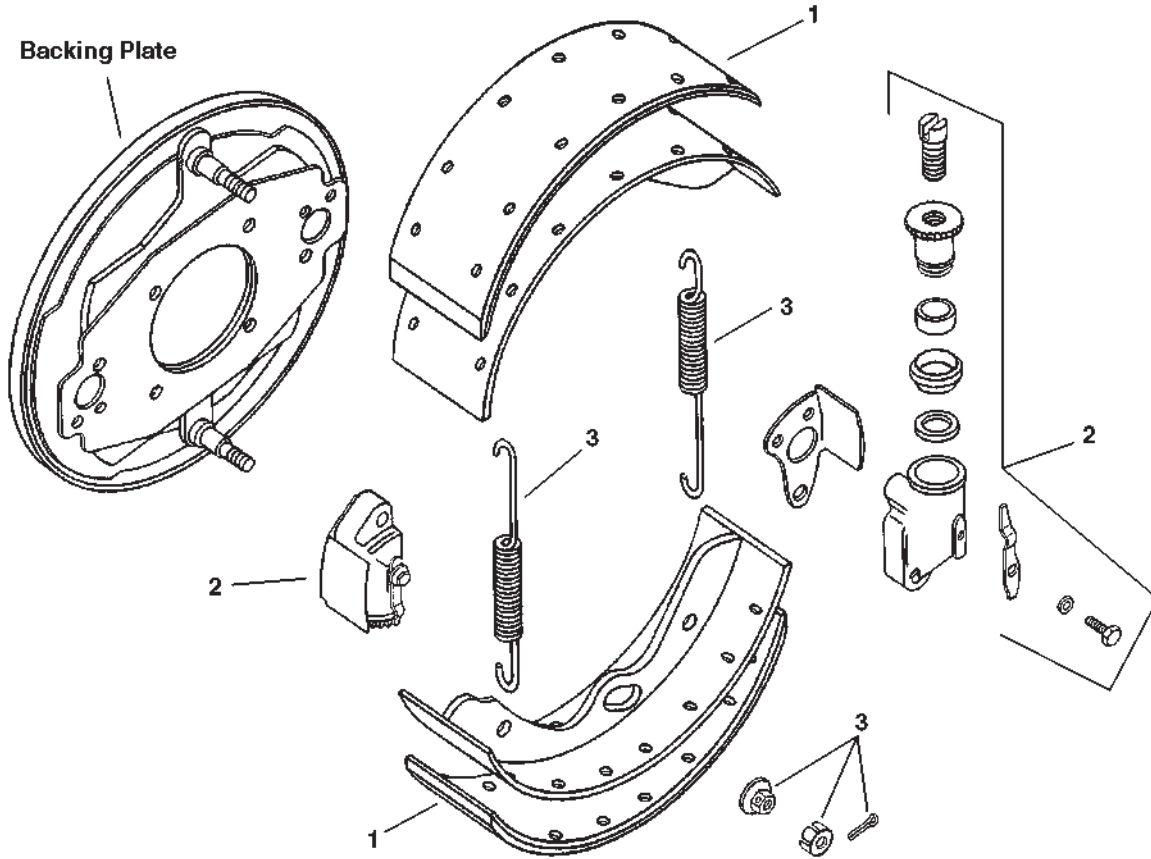
Key Number	Part Number	Description	Number Required	Remarks
1	1418	Shoe Set	1	Lining Only



**S614N - Hino**  
**400 x 154mm**  
**(15.75" x 6.06")**

# Hydraulic Drum Brakes

Hydraulic Drum Brakes



**Note:** Non-Keyed Items are not serviced by Dayton Parts, Inc.

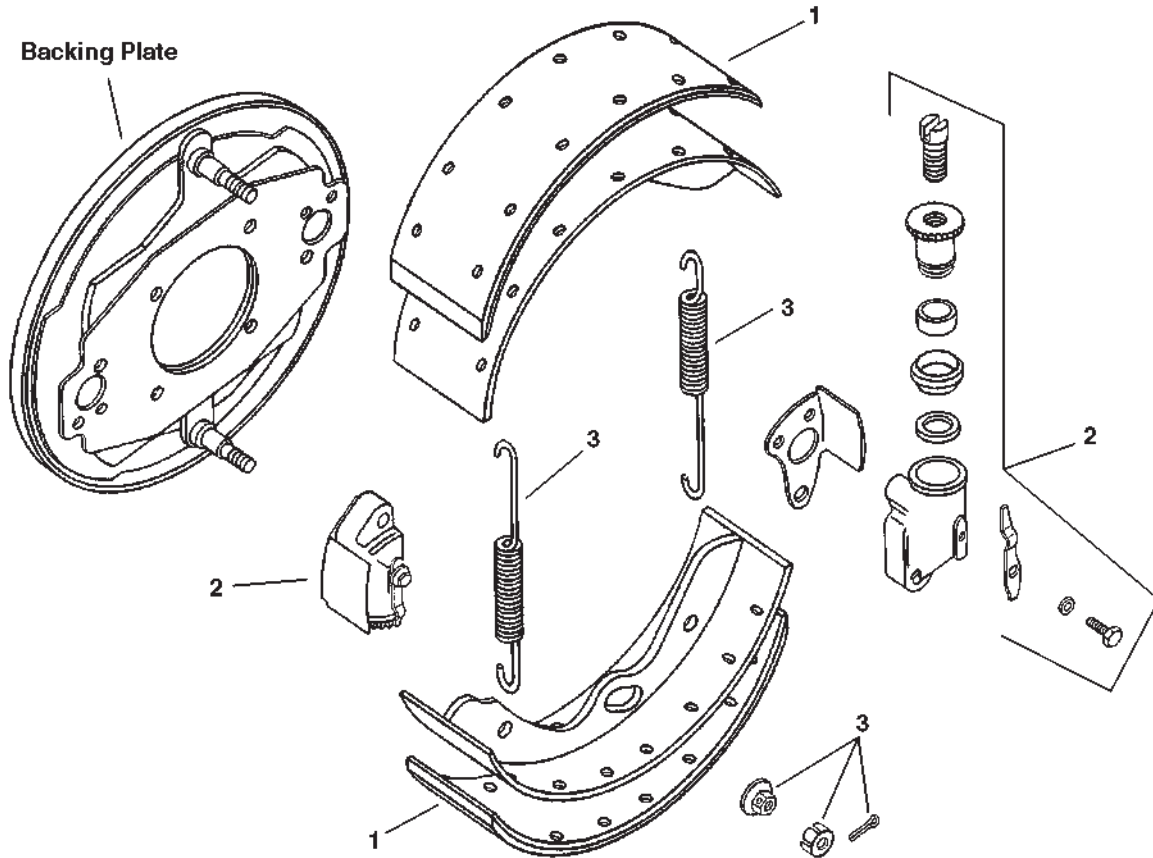
Key Number	Part Number	Description	Number Required	Remarks
1	1419	Shoe Set	1	Lining Only
2	◆	Wheel Cylinder	4	
3	◆	Hardware Kit	1	

◆ Not Serviced by Dayton Parts

# Hydraulic Drum Brakes

S615N - GM/Isuzu  
410 x 115mm  
(16.14" x 4.53")

Hydraulic Drum Brakes



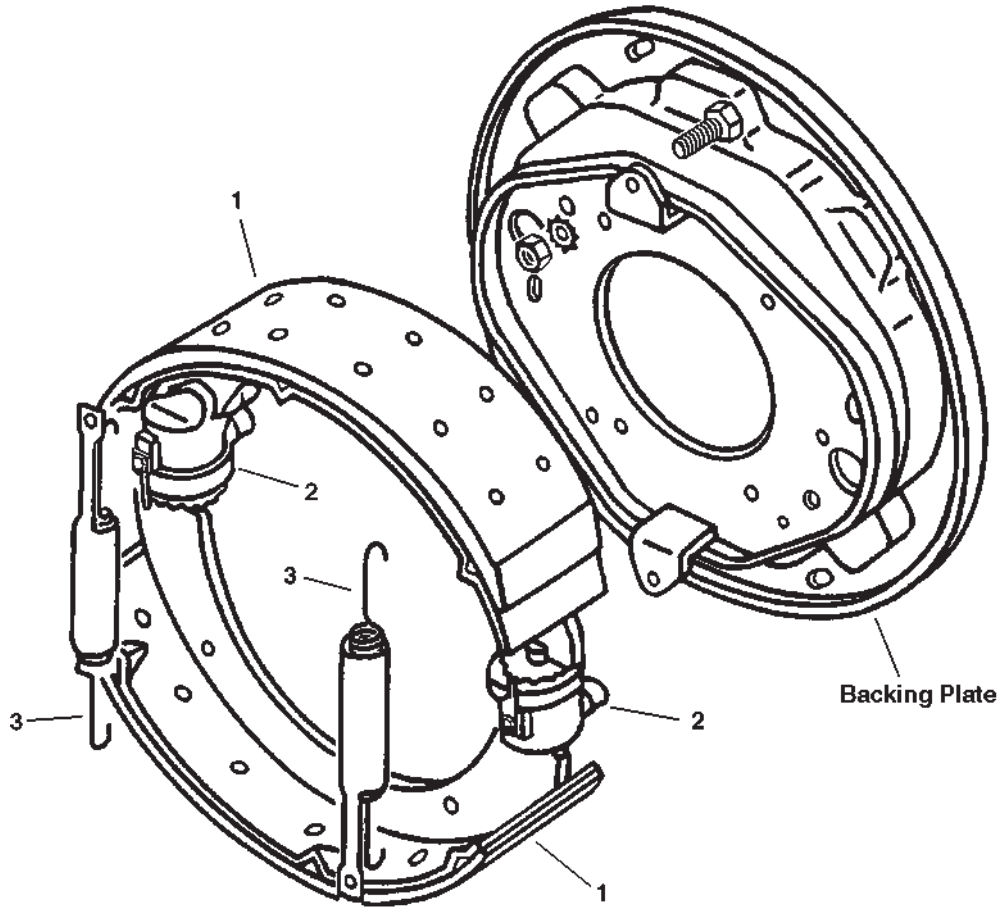
Note: Non-Keyed Items are not serviced by Dayton Parts, Inc.

Key Number	Part Number	Description	Number Required	Remarks
1	1420	Shoe Set	1	Lining Only
2	◆	Wheel Cylinder	4	
3	◆	Hardware Kit	1	

**S616N - GM/Isuzu**  
**400 x 115mm**  
**(15.75" x 4.53")**

# Hydraulic Drum Brakes

Hydraulic Drum Brakes



**Note:** Non-Keyed Items are not serviced by Dayton Parts, Inc.

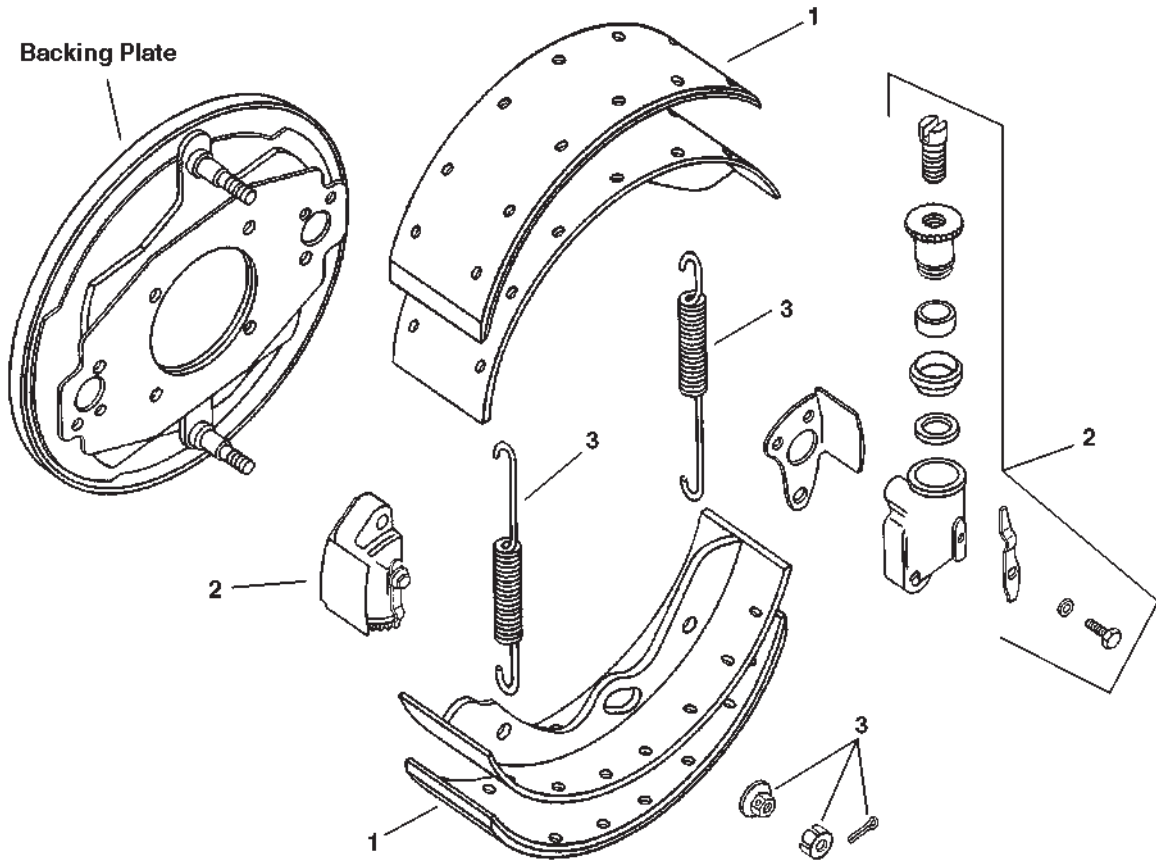
Key Number	Part Number	Description	Number Required	Remarks
1	1421	Shoe Set	1	Lining Only
2	◆	Wheel Cylinder	4	
3	◆	Hardware Kit	1	

◆ Not Serviced by Dayton Parts

# Hydraulic Drum Brakes

S617N - Hino  
400 x 120 mm  
(15.75" x 4.72")

Hydraulic Drum Brakes



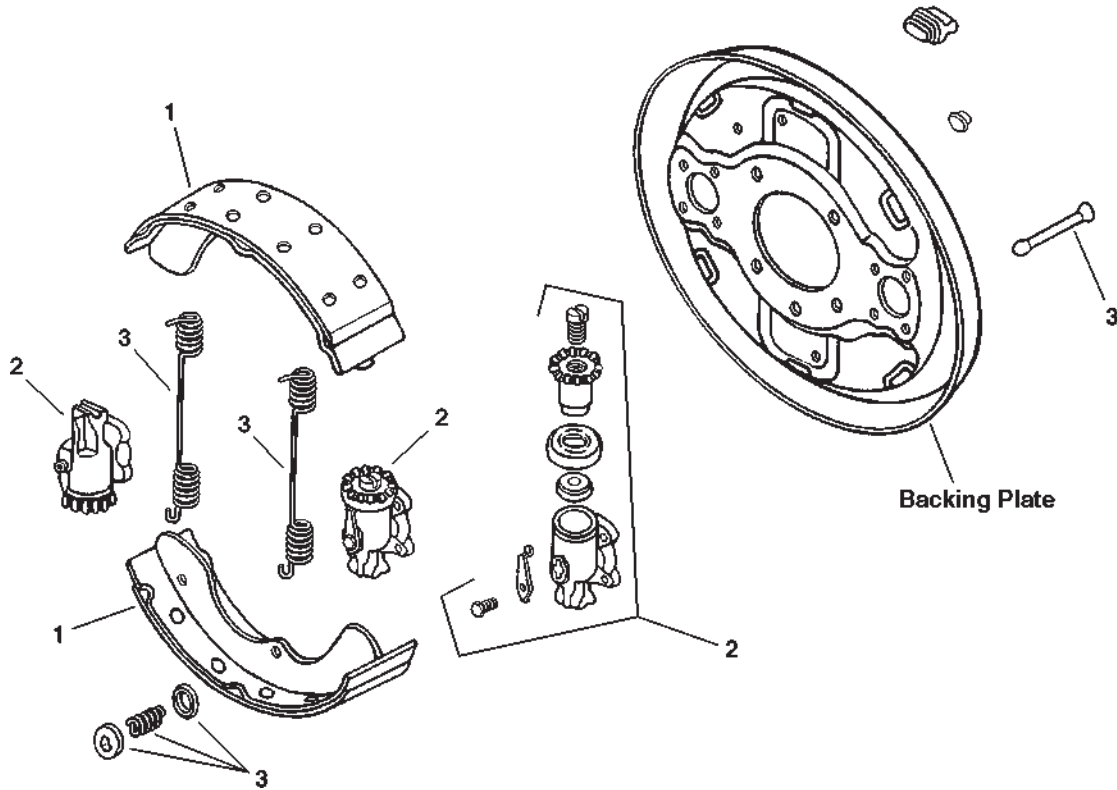
Note: Non-Keyed Items are not serviced by Dayton Parts, Inc.

Key Number	Part Number	Description	Number Required	Remarks
1	1422	Shoe Set	1	Lining Only
2	◆	Wheel Cylinder	4	
3	◆	Hardware Kit	1	

**S632N - Mitsu/Fuso**  
**320 x 130mm**  
**(12.60" x 5.12")**

# Hydraulic Drum Brakes

Hydraulic Drum Brakes



**Note:** Non-Keyed Items are not serviced by Dayton Parts, Inc.

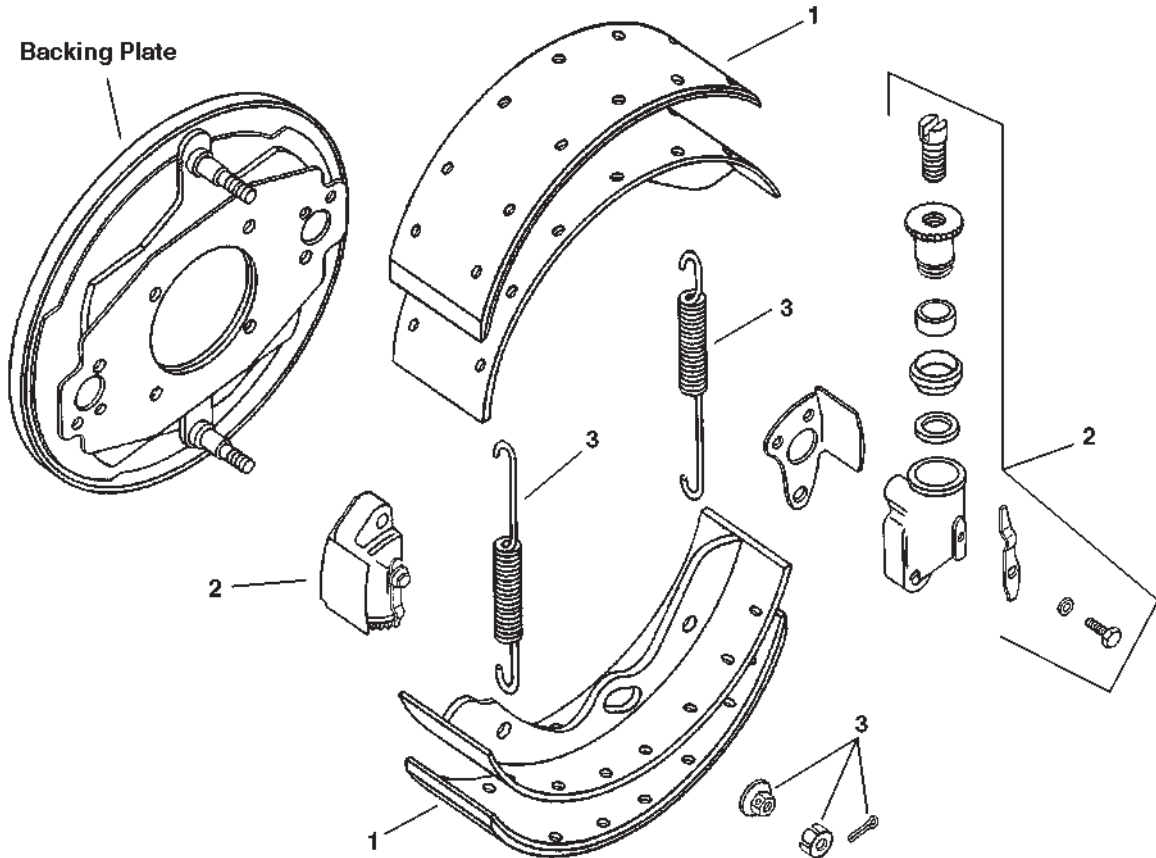
Key Number	Part Number	Description	Number Required	Remarks
1	1434	Shoe Set	1	Lining Only
2	◆	Wheel Cylinder	4	
3	CH9241	Hardware Kit	1	

◆ Not Serviced by Dayton Parts

# Hydraulic Drum Brakes

**S669N - GM/Isuzu**  
**320 x 120mm**  
**(12.60" x 4.72")**

Hydraulic Drum Brakes



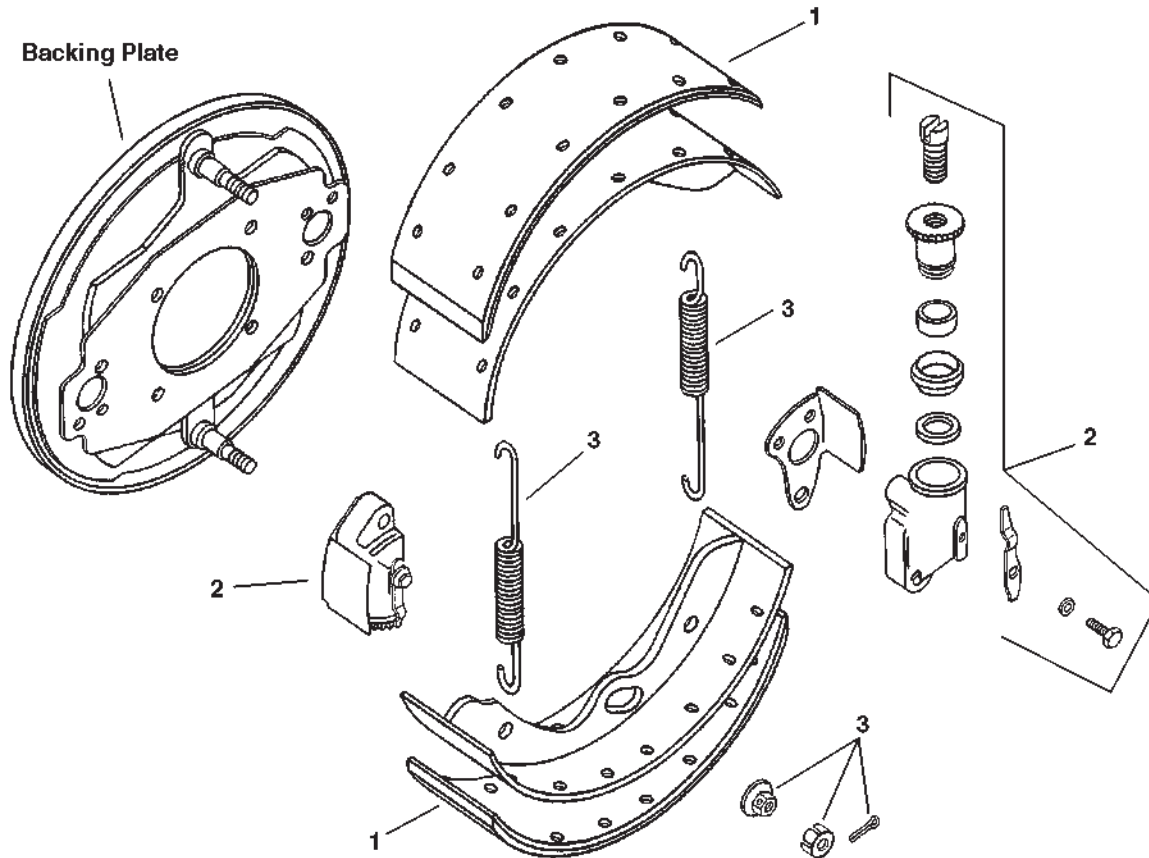
**Note:** Non-Keyed Items are not serviced by Dayton Parts, Inc.

Key Number	Part Number	Description	Number Required	Remarks
1	1455	Shoe Set	1	Lining Only
2	-	Wheel Cylinder	4	See Chart Page 60
3	CH9249	Hardware Kit	1	

**S672N - GM/Isuzu**  
**320 x 110mm**  
**(12.60" x 4.33")**

# Hydraulic Drum Brakes

Hydraulic Drum Brakes



**Note:** Non-Keyed Items are not serviced by Dayton Parts, Inc.

Key Number	Part Number	Description	Number Required	Remarks
1	1458	Shoe Set	1	Lining Only
2	-	Wheel Cylinder	4	See Chart Page 60
3	CH9250	Hardware Kit	1	

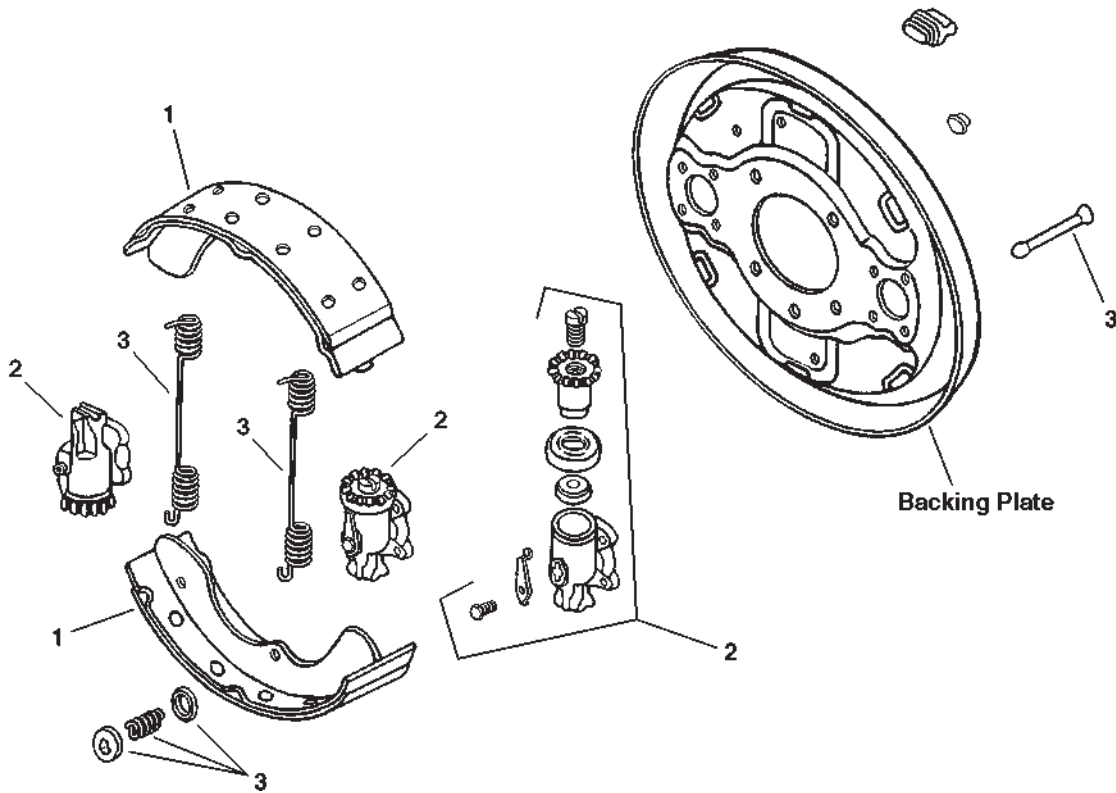
◆ Not Serviced by Dayton Parts



# Hydraulic Drum Brakes

**S683N - Hino**  
**320 x 75mm**  
**(12.60" x 2.95")**

Hydraulic Drum Brakes



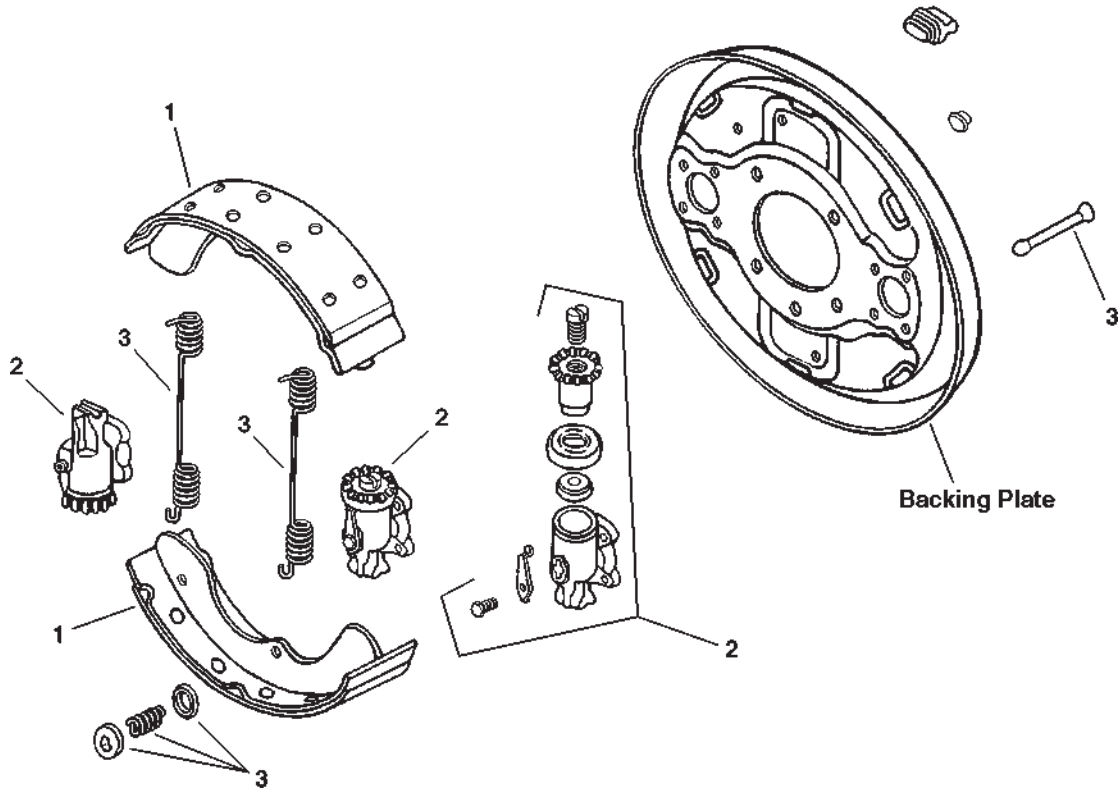
**Note:** Non-Keyed Items are not serviced by Dayton Parts, Inc.

Key Number	Part Number	Description	Number Required	Remarks
1	1468	Shoe Set	1	Lining Only
2	◆	Wheel Cylinder	4	
3	◆	Hardware Kit	1	

**S699N - GM/Isuzu**  
**320 x 100mm**  
**(12.60" x 3.94")**

# Hydraulic Drum Brakes

Hydraulic Drum Brakes



**Note:** Non-Keyed Items are not serviced by Dayton Parts, Inc.

Key Number	Part Number	Description	Number Required	Remarks
1	1482	Shoe Set	1	Lining Only
2	◆	Wheel Cylinder	4	
3	◆	Hardware Kit	1	

◆ Not Serviced by Dayton Parts

# Brake - Wheel Cylinders

Illustrated Listing  
by Part Number

Brake - Wheel Cylinders

602-202



602-211



602-218



602-203



602-212



602-233



602-206

Photo Not Available  
At Time of Printing

602-213



602-234



602-208



602-214



602-235



602-209



602-217



602-236



**Illustrated Listing  
by Part Number**

**Brake - Wheel Cylinders**

**Brake - Wheel Cylinders**

602-237



602-238



602-246

Photo Not Available  
At Time of Printing

602-247

Photo Not Available  
At Time of Printing

602-248



602-249



602-250



602-251



602-252



602-253



602-254



602-255



602-256



602-257



602-258



# Brake - Wheel Cylinders

Illustrated Listing  
by Part Number

Brake - Wheel Cylinders

602-261



602-270



602-282



602-262



602-271



602-283



602-263



602-272



602-284



602-264



602-278



602-285



602-269



602-279



602-286





**Illustrated Listing  
by Part Number**

**Brake - Wheel Cylinders**

**Brake - Wheel Cylinders**

602-287



602-292



602-299



602-288



602-293



602-302



602-289



602-296



602-303



602-290



602-297



602-304



602-291



602-298



602-305



# Brake - Wheel Cylinders

Illustrated Listing  
by Part Number

Brake - Wheel Cylinders

602-392



602-397



602-402



602-393



602-398



602-403



602-394



602-399



602-404



602-395



602-400



602-521



602-396



602-401



602-562

Photo Not Available  
At Time of Printing

**Illustrated Listing  
by Part Number**

**Brake - Wheel Cylinders**

**Brake - Wheel Cylinders**

602-563

Photo Not Available  
At Time of Printing

602-1751



602-635

Photo Not Available  
At Time of Printing

602-1752



602-636

Photo Not Available  
At Time of Printing

602-1771 Use 602-1751



602-1651 Use 602-1751



602-1772 Use 602-1752



602-1652 Use 602-1752





# Brake - Wheel Cylinders

## Chart Information

### Brake - Wheel Cylinders

#### Wheel Cylinders by Bore Size

Part Number	Bore Size	Port(s)	Bleeder Screw
602-246	0.875	3/8-24	CH9402
602-247	0.875	3/8-24	CH9402
602-261	0.875	7/16-20	CH9402
602-262	0.875	7/16-20	CH9402
602-521	0.937	8 & 10mm	CH9405
602-206	1.000	3/8-24	CH9405
602-278	1.000	3/8-24	CH9404
602-279	1.000	3/8-24	CH9404
602-248	1.062	3/8-24	CH9402
602-249	1.062	3/8-24	CH9402
602-296	1.062	3/8-24	CH9402
602-562	1.062	n/a	-
602-563	1.062	n/a	-
602-396	1.093	3/8-24	CH9404
602-397	1.093	3/8-24	CH9404
602-263	1.125	3/8-24	CH9402
602-264	1.125	3/8-24	CH9402
602-302	1.125	7/16-20	CH9415
602-303	1.125	7/16-20	CH9415
602-269	1.125	7/16-24	CH9427
602-270	1.125	7/16-24	CH9427
602-285	1.125	(2) 7/16-24	-
602-286	1.125	(2) 7/16-24	-
602-283	1.125	7/16-24	CH9415
602-284	1.125	7/16-24	CH9415
602-635	1.125	n/a	-
602-636	1.125	n/a	-
602-202	1.187	3/8-24	CH9402
602-203	1.187	3/8-24	CH9402
602-297	1.187	3/8-24	CH9402
602-255	1.250	(2) 7/16-20	-
602-256	1.250	(2) 7/16-20	-
602-287	1.250	(2) 7/16-24	-
602-288	1.250	(2) 7/16-24	-
602-271	1.250	7/16-24	CH9402
602-272	1.250	7/16-24	CH9402

Part Number	Bore Size	Port(s)	Bleeder Screw
602-289	1.250	7/16-24	CH9402
602-290	1.250	7/16-24	CH9402
602-304	1.250	10mm	CH9410
602-305	1.250	10mm	CH9410
602-257	1.375	(2) 7/16-20	-
602-258	1.375	(2) 7/16-20	-
602-615	1.375	(2) 7/16-20	-
602-616	1.375	(2) 7/16-20	-
602-233	1.437	(2) 10mm	CH9412
602-234	1.437	(2) 10mm	CH9412
602-235	1.500	(2) 10mm	CH9412
602-237	1.500	(2) 10mm	CH9412
602-395	1.500	(2) 10mm	CH9406
602-236	1.500	10 & 12mm	-
602-238	1.500	10 & 12mm	-
602-298	1.500	7/16-24	CH9427
602-299	1.500	7/16-24	CH9427
602-400	1.500	7/16-24	CH9401
602-404	1.500	7/16-24	CH9401
602-252	1.500	(2) 7/16-24	CH9427
602-291	1.500	(2) 7/16-24	CH9427
602-292	1.500	(2) 7/16-24	-
602-293	1.500	(2) 7/16-24	-
602-392	1.500	(2) 7/16-24	-
602-394	1.500	(2) 7/16-24	CH9427
602-401	1.500	(2) 7/16-24	-
602-398	1.500	3/8-24 & 7/16-24	CH9427
602-399	1.500	3/8-24 & 7/16-24	CH9427
602-393	1.500	(2) 7/16-20	CH9415
602-402	1.500	(2) 7/16-24	-
602-403	1.500	(2) 7/16-24	-
602-251	1.625	(2) 7/16-24	CH9427
602-282	1.625	(2) 7/16-24	CH9427
602-253	1.750	(2) 7/16-24	CH9427
602-250	1.875	(2) 7/16-20	-
602-254	1.875	(2) 7/16-24	-

#### Lucas Wheel Cylinders

Part No.	Description	Bore Size	Ports(s)
602-208	Parking Cylinder	1.750	7/16-24
602-209	Parking Cylinder	1.750	7/16-24
602-211	Adjusting Cylinder	1.750	7/16-24
602-212	Adjusting Cylinder	1.750	7/16-24
602-213	Adjusting Cylinder	1.625	7/16-24
602-214	Adjusting Cylinder	1.625	7/16-24
602-217	Parking Cylinder	1.625	7/16-24
602-218	Parking Cylinder	1.625	7/16-24

#### Lucas Backing Plates

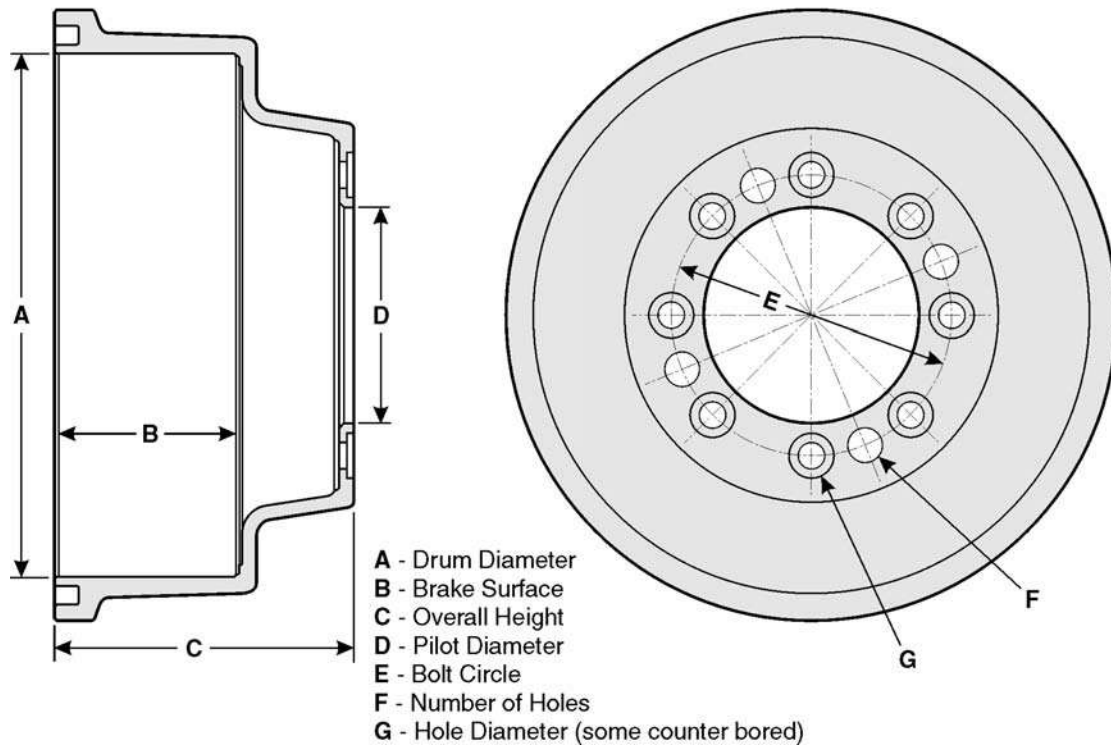
Part No.	Description	Adjusting Cylinder	Parking Cylinder
602-1651	Backing Plates	1)602-214R	1)602-218R
602-1652	Backing Plates	1)602-213R	1)602-217R
602-1751	Backing Plates	1)602-212R	1)602-209R
602-1752	Backing Plates	1)602-211R	1)602-208R
602-1771	Backing Plates	1)602-212R	1)602-209R
602-1772	Backing Plates	1)602-211R	1)602-208R

# Drum Diagram Drum Dimension Charts

# Brake Drums

Brake Drums

Typical Drum Measurements



## Drum Listing by Diameter

Part Number	Drum Diameter (A)	Brake Surface (B)	Overall Height (C)	Pilot Diameter (D)	Bolt Circle (E)	Number of Holes (F)	Hole Diameter (G)
D8100	10.00	2.59	3.62	3.10	5.00	5	0.579
D8101	10.00	2.72	3.60	3.10	5.50	6	0.582
D2697	10.00	2.80	3.51	2.80	4.50	5	0.564
D2975	10.00	2.94	3.70	3.57	5.50	5	0.658
D2663	10.00	2.96	3.49	2.88	5.50	5	0.626
D2603	10.00	2.98	3.51	2.54	4.50	5	0.570
D4804	10.00	2.98	3.51	2.81	4.50	5	0.565
D2614	11.00	2.30	3.08	3.57	5.50 5.50	5 5	0.614 0.515
D2307	11.00	2.30	3.08	4.16	5.50	5	0.626
D2005	11.00	2.40	3.02	3.57	5.50 5.50 5.88	6 1 3	0.452 0.359 0.359
D2976	11.00	2.93	4.49	3.57	5.50	5	0.658
D2336	11.00	3.25	4.18	3.00	5.50	5	0.592
D8107	11.03	2.83	3.73	3.45	5.50	5	0.596
D8102	11.13	3.12	5.38	3.09	5.50	6	0.618
D2079	11.15	3.07	5.34	4.60	6.50	8	0.626

Chart continues on following page.

# Brake Drums

# Drum Dimension Charts

## Drum Listing by Diameter Continued

Part Number	Drum Diameter (A)	Brake Surface (B)	Overall Height (C)	Pilot Diameter (D)	Bolt Circle (E)	Number of Holes (F)	Hole Diameter (G)
D2006	11.15	3.19	3.76	4.60	6.50	8	0.504
					6.50	2	0.628
					6.50	1	0.504
					6.38	2	0.51 (.68cb)
D4803	11.16	3.15	3.68	3.10	5.00	5	0.580
D4805	11.16	3.15	3.68	3.57	5.50	6	0.449
D1643	11.81	2.50	5.11	4.88	6.50	8	0.656
D1661	11.81	3.00	7.23	5.21	6.50	8	0.635
D1683	12.00	2.50	4.67	4.71	6.50	8	0.550
D2071	12.00	2.91	5.33	4.60	6.50	8	0.610
					6.50	2	0.628 (.75cb)
D1903	12.00	3.00	3.90	4.76	6.50	8	0.656
D1671	12.00	3.00	5.32	5.00	6.50	8	0.628 (1.04cb)
D1673	12.00	3.00	6.28	5.00	6.50	8	0.628 (1.13cb)
					6.50	4	0.915
D4771	12.00	3.41	4.90	5.00	6.50	8	0.625
D1964	12.00	3.50	4.04	4.76	6.50	8	0.664
D4826	12.00	3.55	4.27	4.75	6.50	8	0.644
D1961	12.00	3.56	6.29	5.20	6.50	8	0.696
D4774	12.00	3.60	5.12	4.82	6.50	8	0.667
D1665	12.00	3.65	4.90	5.41	6.50	8	0.656
D1667	12.00	3.65	7.06	5.41	6.50	8	0.656
D4874	12.00	4.18	6.18	4.83	6.50	8	0.654
D2934	12.13	2.50	3.30	4.76	6.50	8	0.626
D2018	12.13	2.51	3.34	4.60	6.50	8	0.636
					6.50	3	0.636
					6.38	2	0.500 (.62cb)
D2618	12.13	2.59	3.12	4.76	6.50	8	0.636
					6.50	3	0.636 (.75cb)
					6.38	2	0.500
D109836	12.13	4.11	6.81	5.00	6.50	8	0.627 (1.06cb)
					6.50	4	0.815
D4770	12.13	4.22	5.75	5.01	6.50	8	0.632 (1.13cb)
D8027	13.00	3.05	5.05	4.60	6.50	8	0.612
D8103	13.00	3.12	4.53	4.60	6.50	8	0.615
D8023	13.00	3.15	6.42	4.60	6.50	8	0.615
D8024	13.00	3.15	6.54	4.63	6.50	8	0.625
D4781	13.00	3.87	8.78	4.84	6.50	8	0.656
D8025	13.00	3.94	7.30	4.60	6.50	8	0.619
D4807	13.00	3.96	6.30	4.84	6.50	8	0.615
D8021	13.00	4.10	6.04	4.60	6.50	8	0.604

Cb - Counter Bored

# Drum Dimension Charts

# Brake Drums

## Brake Drums

### Drum Listing by Part Number

Part Number	Drum Diameter (A)	Brake Surface (B)	Overall Height (C)	Pilot Diameter (D)
D1643	11.81	2.50	5.11	4.88
D1661	11.81	3.00	7.23	5.21
D1665	12.00	3.65	4.90	5.41
D1667	12.00	3.65	7.06	5.41
D1671	12.00	3.00	5.32	5.00
D1673	12.00	3.00	6.28	5.00
D1683	12.00	2.50	4.67	4.71
D1903	12.00	3.00	3.90	4.76
D1961	12.00	3.56	6.29	5.20
D1964	12.00	3.50	4.04	4.76
D2005	11.00	2.40	3.02	3.57
D2006	11.15	3.19	3.76	4.60
D2018	12.13	2.51	3.34	4.60
D2071	12.00	2.91	5.33	4.60
D2079	11.15	3.07	5.34	4.60
D2307	11.00	2.30	3.08	4.16
D2336	11.00	3.25	4.18	3.00
D2603	10.00	2.98	3.51	2.54
D2614	11.00	2.30	3.08	3.57
D2618	12.13	2.59	3.12	4.76
D2663	10.00	2.96	3.49	2.88
D2697	10.00	2.80	3.51	2.80
D2934	12.13	2.50	3.30	4.76
D2975	10.00	2.94	3.70	3.57
D2976	11.00	2.93	4.49	3.57
D4770	12.13	4.22	5.75	5.01
D4771	12.00	3.41	4.90	5.00
D4774	12.00	3.60	5.12	4.82
D4781	13.00	3.87	8.78	4.84
D4803	11.16	3.15	3.68	3.10
D4804	10.00	2.98	3.51	2.81
D4805	11.16	3.15	3.68	3.57
D4807	13.00	3.96	6.30	4.84
D4826	12.00	3.55	4.27	4.75
D4874	12.00	4.18	6.18	4.83
D8021	13.00	4.10	6.04	4.60
D8023	13.00	3.15	6.42	4.60
D8024	13.00	3.15	6.54	4.63
D8025	13.00	3.94	7.30	4.60
D8027	13.00	3.05	5.05	4.60
D8100	10.00	2.59	3.62	3.10
D8101	10.00	2.72	3.60	3.10
D8102	11.13	3.12	5.38	3.09
D8103	13.00	3.12	4.53	4.60
D8107	11.03	2.83	3.73	3.45
D109836	12.13	4.11	6.81	5.00

# Brake Master Cylinders

Illustrated Listing  
by Part Number

Brake Master Cylinders

602-110



602-122



602-139



602-111



602-132



602-143



602-112



602-134



602-145



602-120



602-135



602-147



602-121



602-138



602-148



**Illustrated Listing  
by Part Number**

**Brake Master Cylinders**

**Brake Master Cylinders**

602-151



602-156



602-169



602-152



602-157



602-170



602-153



602-163



602-172



602-154



602-166



602-176



602-155



602-167



602-178





# Brake Master Cylinders

## Illustrated Listing by Part Number

### Brake Master Cylinders

602-184



602-430



602-479



602-417



602-450



602-510



### Brake Master Cylinders by Bore Size

Part Number	Bore Size	Reservoirs	Outlet 1	Outlet 2	Bleeder Screw
602-143	24mm	2	9/16-20	1/2-20	-
602-138	1.125	2	3/8-24	7/16-24	-
602-147	1.125 & 1.578	2	1/2-20	7/16-24	-
602-157	1.125	2	M18 x 1.5	9/16-18	-
602-184	1.125	2	9/16-20	1/2-20	-
602-450	1.125	2	1/2-20	9/16-20	-
602-122	30mm	2	1/2-20	9/16-18	-
602-135	1.250	2	9/16-18	1/2-20	-
602-417	1.250	2	1/2-20	9/16-18	-
602-430	1.250	2	1/2-20	9/16-18	-
602-510	1.250	2	-	-	-
602-134	1.312	2	9/16-18	1/2-20	-
602-176	1.312	2	9/16-18	1/2-20	-
602-120	34mm	2	-	-	-
602-148	1.375	1	-	-	-
602-112	1.500	1	1/2-20	-	CH9404
602-121	1.500	2	-	-	-
602-132	1.500	2	7/16-24	-	-
602-169	1.500	1	3/4-18	-	-
602-172	1.500	1	1/2-20	-	-
602-479	1.500	N/A	-	-	-
602-110	1.750	1	1/2-20	-	CH9404
602-111	1.750	1	1/2-20	-	CH9404
602-145	1.750	2	9/16-18	1/2-20	-
602-151	1.750	2	3/4-20	11/16-18	-
602-152	1.750	2	3/4-18	11/16-18	-
602-153	1.750	2	9/16-18	1/2-20	-
602-154	1.750	2	9/16-18	1/2-20	-
602-155	1.750	2	3/4-20	11/16-20	-
602-163	1.750	2	7/16-24	7/16-24	-
602-166	1.750	1	7/16-24	-	-
602-167	1.750	2	7/16-24	1/2-20	-
602-170	1.750	1	1/2-20	-	-
602-178	1.750	2	1/2-20	1/2-20	-
602-139	2.000	2	9/16-18	1/2-20	-
602-156	2.000	2	3/4-20	11/16-20	-

# Master Cylinders - Illustrated Listing

# Clutch Cylinders

Listed by Part Number

Clutch Cylinders

601-129



601-135



601-222



601-130



601-136



601-224



601-132



601-178



601-133



601-185



601-134



601-212





# Clutch Cylinders

## Slave Cylinders - Illustrated Listing

Clutch Cylinders

Listed by Part Number

601-139



601-155



601-221



601-145



601-186



601-226



601-149



601-204



601-229



601-152



601-206



601-235



601-153



601-211



601-236



# Master/Slave Cylinders Dimension Charts

# Clutch Cylinders

## Clutch Cylinders

### Master Cylinders Listed by Bore Size

Part Number	Bore Size	Outlet	Bleeder Screw
601-130	17.75mm	-	-
601-178	18mm	7/16 pinned hose	-
601-132	0.750	M12 x 1.0	-
601-185	20mm	7/16 pinned hose	-
601-129	0.875	-	-
601-212	0.875	7/16 pinned hose	-
601-222	0.875	7/16 pinned hose	-
601-224	0.875	7/16 pinned hose	-
601-135	1.062	7/16-24	-
601-133	1.125	7/16-24	-
601-134	1.125	1/8 NPT	1/8 NPT
601-136	1.125	7/16-24	-

### Slave Cylinders Listed by Bore Size

Part Number	Bore Size	Outlet	Bleeder Screw
601-179	20mm	7/16 pinned hose	
601-149	0.812	-	
601-211	21mm	7/16 pinned hose	
601-153	0.906	7/16-24	CH9403
601-236	0.937	7/16-24	CH9402
601-186	1.000	7/16 pinned hose	
601-139	1.000	7/16-24	CH9400
601-152	1.000	7/16-24	CH9404
601-155	1.000	7/16-24	CH9402
601-226	1.000	7/16-24	CH9402
601-145	1.000	-	
601-221	26mm	7/16 pinned hose	
601-204	26mm	-	
601-235	1.062	7/16-24	CH9402
601-229	30.6mm	press-in hose	
601-206	1.343	press-in hose	

# Hoses

## Hose Illustrations by Part Number

Hoses

603-100



603-134



603-167



603-101



603-150



603-169



603-109



603-151



603-170



603-132



603-152



603-176



603-133



603-153



603-182



# Hose Illustrations by Part Number

# Hoses

Hoses

603-183



603-212



603-338



603-184



603-217



603-339



603-185



603-220



603-186



603-239



603-201



603-260



# Splined Hubs

## Splined Hub Illustrations by Part Number

Splined Hubs

D7000

Dodge



D7004

Ford



D7008

Chev/GMC



D7001

Dodge



D7005

Ford



D7009

✓

Chev/GMC  
Dodge



D7002

Chev/GMC  
Jeep



D7006

Ford



D7010

Dodge



D7003

✓

Ford



D7007

✓

Chev/GMC



D7011

✓

Dodge



✓ - Discontinued Part. Shown for reference only.