

Splined Hub Illustrations by Part Number

Splined Hubs

Splined Hubs

D7012 Chev/GMC



D7018 ✓ Jeep



D7025 Ford



D7013 Ford



D7019 ✓ Jeep



D7026 ✓ Ford



D7015 Dodge



D7021 ✓ Ford



D7017 Chev/GMC
Jeep



D7022 Dodge

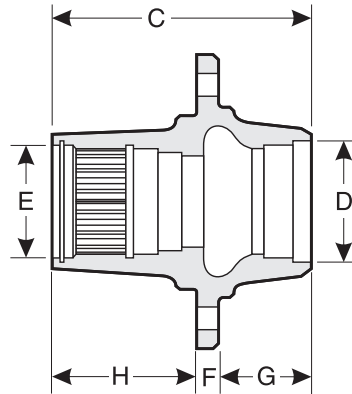
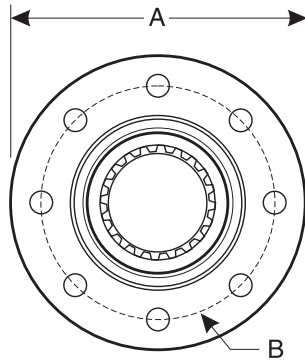


✓ - Discontinued Part. Shown for reference only.

Splined Hubs

Splined Hub Specifications

D7000 - 4 Wheel Drive Front Hub



Specifications:

A. 8.3	E. 3.12
B. 8 - 6.5	F. 0.644
C. 6.15	G. 2.14
D. 3.29	H. 3.37

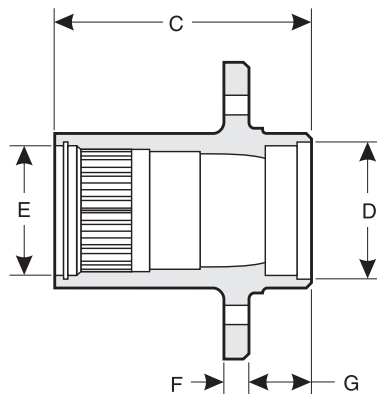
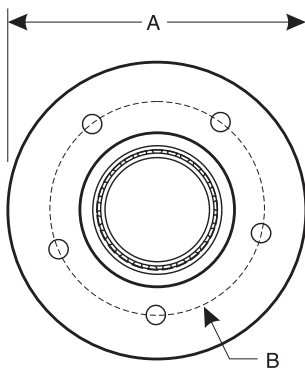
Inner Bearing Race Number.....	JLM104910
Inner Bearing Number *.....	LM104949
Outer Bearing Race Number.....	LM501310
Outer Bearing Number *.....	LM501349
Wheel Seal Number *.....	4250 (86-) or 722109 (80-85)

* These Items Not Included

Related Information:

OEM Part Number Dodge 4137774
 General Vehicle Application Dodge 3/4 Ton, 1 Ton
 Dual or Single Rear Wheel Hub SRW
 Axle Manufacturer and Series. Dana 44 MonoBeam, 3500 lbs.
 Locking Hub Part Number. D11042-02
 Disc Brake Pad Set Part Number D269
 Disc Rotor Part Number See Application Guide

D7001 - 4 Wheel Drive Front Hub



Specifications:

A. 7.13	E. 3.58
B. 5 - 6.5	F. 0.597
C. 6.15	G. 2.01
D. 3.30	

Inner Bearing Race Number.....	JLM104910
Inner Bearing Number *.....	LM104949
Outer Bearing Race Number.....	LM501310
Outer Bearing Number *.....	LM501349
Wheel Seal Number *.....	4250 (86-) or 722109 (80-85)

* These Items Not Included

Related Information:

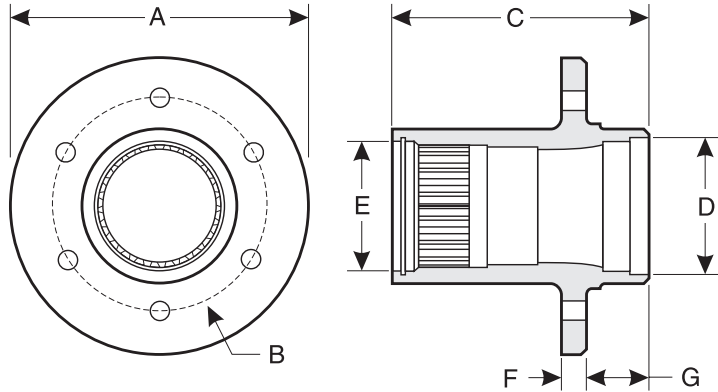
OEM Part Number Dodge 4137762
 General Vehicle Application Dodge 1/2 ton, 3/4 Ton W100/150
 Dual or Single Rear Wheel Hub SRW
 Axle Manufacturer and Series. Dana 44 MonoBeam, 3500 lbs.
 Locking Hub Part Number. D11002-02
 Disc Brake Pad Set Part Number D123 (82-83), D269 (84-90)
 Disc Rotor Part Number See Application Guide

Splined Hub Specifications

Splined Hubs

Splined Hubs

D7002 - 4 Wheel Drive Front Hub



Specifications:

- | | |
|------------|----------|
| A. 7.27 | E. 3.52 |
| B. 6 - 5.5 | F. 0.528 |
| C. 6.44 | G. 2.61 |
| D. 3.21 | |

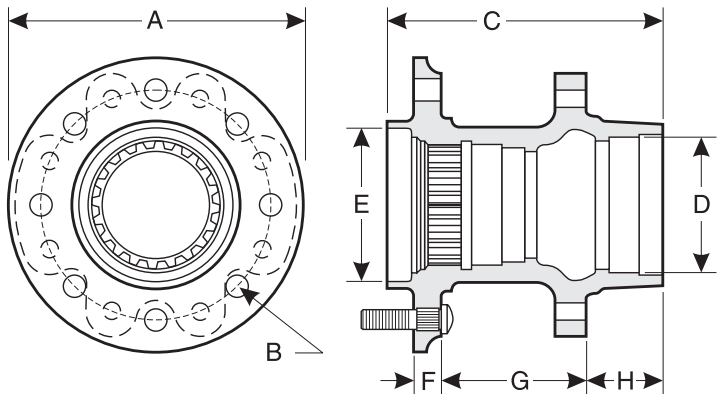
- Inner Bearing Race Number.....JLM104910
- Inner Bearing Number *.....LM104949
- Outer Bearing Race Number.....LM501310
- Outer Bearing Number *.....LM501349
- Wheel Seal Number *.....471271

* These Items Not Included

Related Information:

- OEM Part Number Jeep 5357391, GM 14026765
- General Vehicle Application GMC 1/2 Ton, Jeep 1/2 Ton
- Dual or Single Rear Wheel Hub SRW
- Axle Manufacturer and Series..... GMC MonoBeam
- Locking Hub Part Number..... D11002-02
- Disc Brake Pad Set Part Number D52
- Disc Rotor Part Number See Application Guide

D7003 - 4 Wheel Drive Front Hub



Specifications:

- | | |
|------------|----------|
| A. 8.37 | E. 4.40 |
| B. 8 - 6.5 | F. 0.775 |
| C. 8.00 | G. 4.34 |
| D. 3.87 | H. 2.57 |

- Inner Bearing Race Number.....382A
- Inner Bearing Number *.....387A
- Outer Bearing Race Number.....LM104911
- Outer Bearing Number *.....LM104949
- Wheel Seal Number *.....47596C

* These Items Not Included

Related Information:

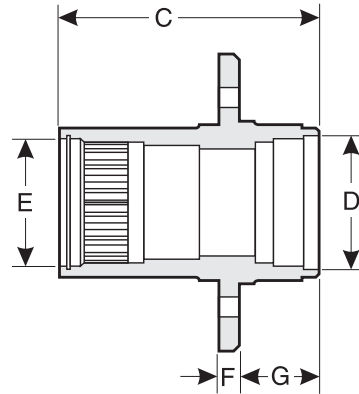
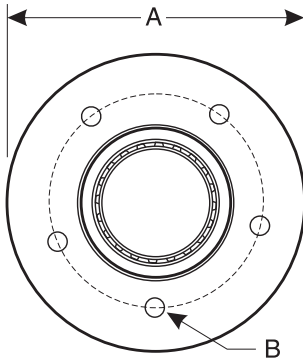
- OEM Part Number Ford E5TZ1102B
- General Vehicle Application Ford 3/4 Ton, 1 Ton
- Dual or Single Rear Wheel Hub DRW
- Axle Manufacturer and Series..... Dana 60 MonoBeam, 4600 lbs.
- Locking Hub Part Number..... D11042-02
- Disc Brake Pad Set Part Number D120 (80-87), D450 (88-)
- Disc Rotor Part Number See Application Guide

Splined Hubs

Splined Hub Specifications

Splined Hubs

D7004 - 4 Wheel Drive Front Hub



Specifications:

A. 7.27	E. 3.12
B. 5 - 5.5	F. 0.50
C. 6.35	G. 1.95
D. 3.30	

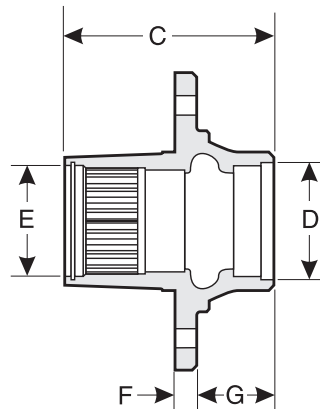
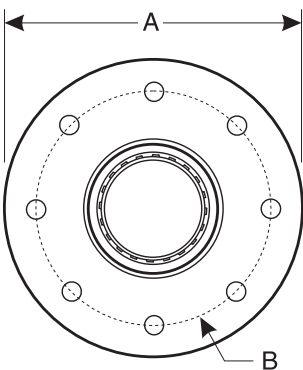
Inner Bearing Race Number.....	LM603011
Inner Bearing Number *.....	LM603049
Outer Bearing Race Number.....	LM501310
Outer Bearing Number *.....	LM501349
Wheel Seal Number *.....	4250

* These Items Not Included

Related Information:

OEM Part Number Ford E7TZ1102A
 General Vehicle Application Ford 1/2 Ton
 Dual or Single Rear Wheel Hub SRW
 Axle Manufacturer and Series..... Dana 44 MonoBeam, 50 Series IFS, 3000 & 3500 lbs.
 Locking Hub Part Number..... D11002-02
 Disc Brake Pad Set Part Number D375
 Disc Rotor Part Number See Application Guide

D7005 - 4 Wheel Drive Front Hub



Specifications:

A. 8.38	E. 3.125
B. 8 - 6.5	F. 0.610
C. 5.88	G. 2.175
D. 3.30	

Inner Bearing Race Number.....	LM104910
Inner Bearing Number *.....	LM104949
Outer Bearing Race Number.....	LM501310
Outer Bearing Number *.....	LM501349
Wheel Seal Number *.....	4250

* These Items Not Included

Related Information:

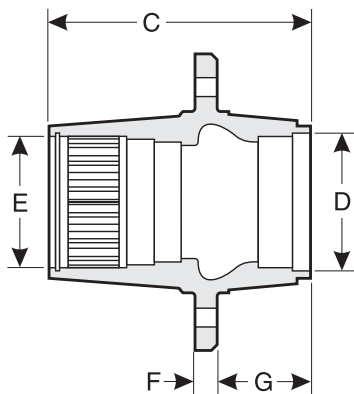
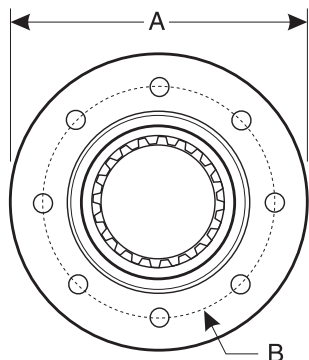
OEM Part Number Ford E7TZ1102F
 General Vehicle Application Ford 3/4 Ton, 1 Ton
 Dual or Single Rear Wheel Hub SRW
 Axle Manufacturer and Series..... Dana 44 MonoBeam, 50 Series IFS, 3850 lbs.
 Locking Hub Part Number..... D11002-02
 Disc Brake Pad Set Part Number D120 (80-88), D450 (89-)
 Disc Rotor Part Number See Application Guide

Splined Hub Specifications

Splined Hubs

Splined Hubs

D7006 - 4 Wheel Drive Front Hub



Specifications:

- A. 8.184
- B. 8 - 6.5
- C. 7.209
- D. 3.87
- E. 3.64
- F. 0.610
- G. 2.57

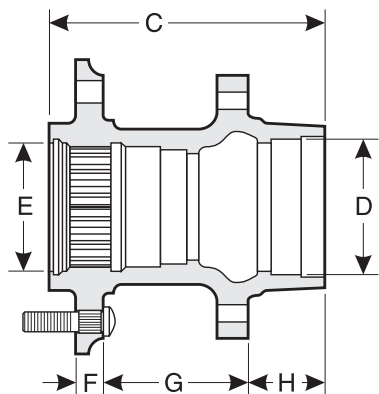
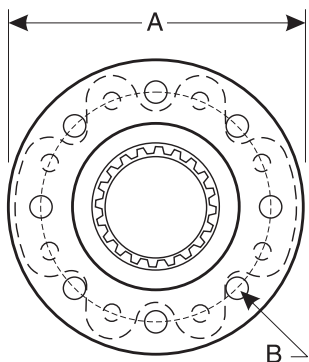
- Inner Bearing Race Number.....382A
- Inner Bearing Number *.....387A
- Outer Bearing Race Number.....LM104911
- Outer Bearing Number *.....LM104949
- Wheel Seal Number *.....47596C

* These Items Not Included

Related Information:

- OEM Part Number Ford E7TZ1102E (Assembly)
- General Vehicle Application Ford 3/4 Ton, 1 Ton
- Dual or Single Rear Wheel Hub SRW
- Axle Manufacturer and Series..... Dana 60 MonoBeam, IFS, 4600 lbs.
- Locking Hub Part Number..... D11042-02
- Disc Brake Pad Set Part Number D120 (79-88), D450 (89-94)
- Disc Rotor Part Number See Application Guide

D7007 - 4 Wheel Drive Front Hub



Specifications:

- A. 8.31
- B. 8 - 6.5
- C. 7.8
- D. 3.87
- E. 3.62
- F. 0.780
- G. 4.11
- H. 2.20

- Inner Bearing Race Number.....382A
- Inner Bearing Number *.....387AS
- Outer Bearing Race Number.....LM104911
- Outer Bearing Number *.....LM104949
- Wheel Seal Number *.....475960

* These Items Not Included

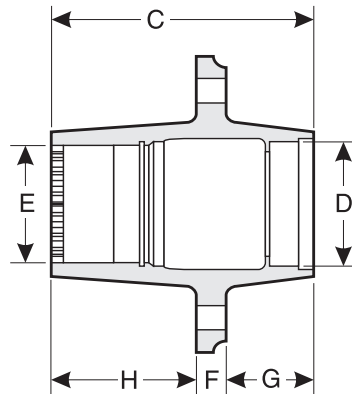
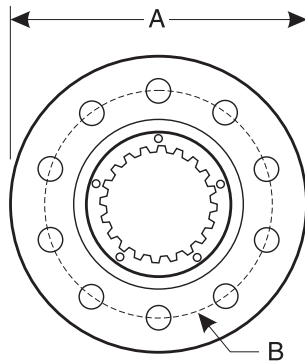
Related Information:

- OEM Part Number GMC 15649274
- General Vehicle Application GMC 3/4 Ton, 1 Ton
- Dual or Single Rear Wheel Hub DRW
- Axle Manufacturer and Series..... Dana 60 MonoBeam
- Locking Hub Part Number..... D11042-02
- Disc Brake Pad Set Part Number D149 (77-87), D370 (88-90)
- Disc Rotor Part Number See Application Guide

Splined Hubs

Splined Hub Specifications

D7008 - P30 Rear Hub



Specifications:

A. 9.12	E. 3.80
B. 10 - 7.25	F. 0.92
C. 8.07	G. 2.72
D. 4.46	H. 4.47

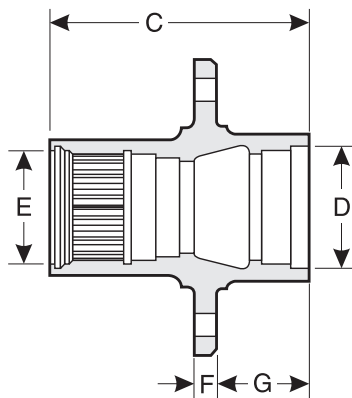
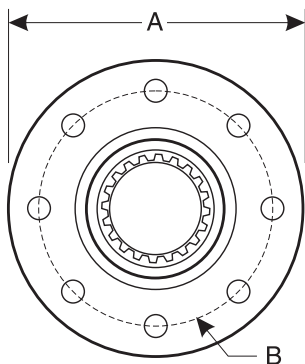
Inner Bearing Race Number.....Not Included
 Inner Bearing Number *—
 Outer Bearing Race Number.....Not Included
 Outer Bearing Number *—
 Wheel Seal Number *—

* These Items Not Included

Related Information:

OEM Part Number 365897
 General Vehicle Application GM P30
 Dual or Single Rear Wheel Hub SRW
 Axle Manufacturer and Series..... —
 Locking Hub Part Number..... —
 Disc Brake Pad Set Part Number —
 Disc Rotor Part Number See Application Guide

D7009 - 4 Wheel Drive Front Hub



Specifications:

A. 8.34	E. 3.64
B. 8 - 6.5	F. 1.00
C. 7.78	G. 2.19
D. 3.87	

Inner Bearing Race Number.....382A
 Inner Bearing Number *—
 Outer Bearing Race Number.....LM104911
 Outer Bearing Number *—
 Wheel Seal Number *—

* These Items Not Included

Related Information:

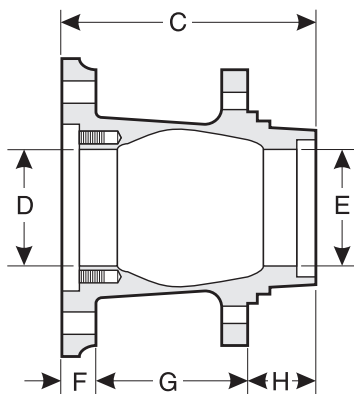
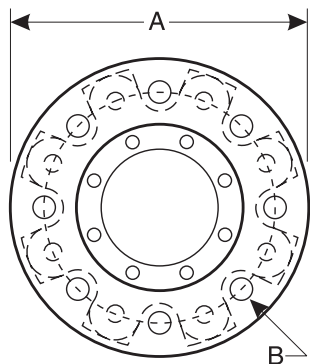
OEM Part Number 15649273, 3821532
 General Vehicle Application 77-90 Chevy 1 Ton, 90-91 Dodge W200/W250 w/4500 lb. axle
 Dual or Single Rear Wheel Hub SRW
 Axle Manufacturer and Series..... —
 Locking Hub Part Number..... —
 Disc Brake Pad Set Part Number —
 Disc Rotor Part Number See Application Guide

Splined Hub Specifications

Splined Hubs

Splined Hubs

D7010 - 4 Wheel Drive Front Hub



Specifications:

A. 8.40	E. 3.87
B. 8 - 6.5	F. 0.969
C. 7.07	G. 4.23
D. 3.27	H. 1.89

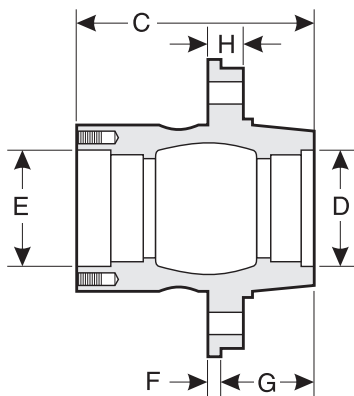
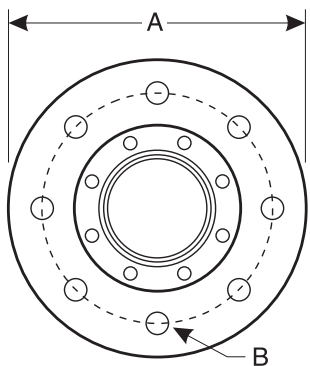
Inner Bearing Race Number.....	382A
Inner Bearing Number *.....	387A
Outer Bearing Race Number.....	LM104911
Outer Bearing Number *.....	LM104949
Wheel Seal Number *.....	415009

* These Items Not Included

Related Information:

OEM Part Number Dodge 4116203
 General Vehicle Application Dodge 3/4 Ton, 1 Ton
 Dual or Single Rear Wheel Hub DRW
 Axle Manufacturer and Series..... Dana 60 MonoBeam, 4500 lbs.
 Locking Hub Part Number..... D11042-02
 Disc Brake Pad Set Part Number D149
 Disc Rotor Part Number See Application Guide

D7011 - 4 Wheel Drive Front Hub



Specifications:

A. 8.44	E. 3.27
B. 8 - 6.5	F. 0.32
C. 6.71	G. 1.93
D. 3.87	

Inner Bearing Race Number.....	—
Inner Bearing Number *.....	—
Outer Bearing Race Number.....	—
Outer Bearing Number *.....	—
Wheel Seal Number *.....	—

* These Items Not Included

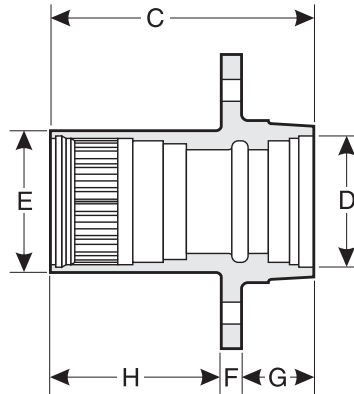
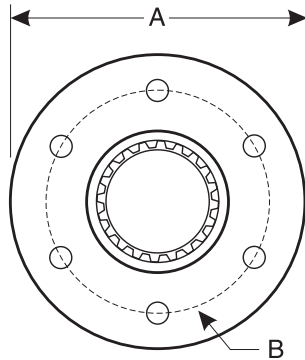
Related Information:

OEM Part Number Dodge 4089275
 General Vehicle Application Dodge 3/4 Ton, 1 Ton
 Dual or Single Rear Wheel Hub SRW
 Axle Manufacturer and Series..... Dana 60 MonoBeam, 4500 lbs.
 Locking Hub Part Number..... D11042-02
 Disc Brake Pad Set Part Number D149
 Disc Rotor Part Number See Application Guide

Splined Hubs

Splined Hub Specifications

D7012 - 4 Wheel Drive Front Hub



Specifications:

A. 7.27	E. 3.12
B. 6 - 5.5	F. 0.500
C. 6.490	G. 1.78
D. 3.25	H. 4.21

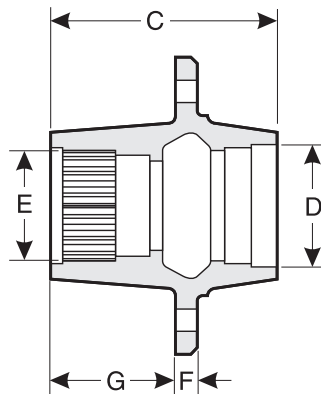
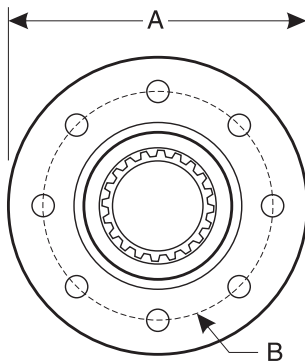
Inner Bearing Race Number.....	LM603011
Inner Bearing Number *.....	LM603049
Outer Bearing Race Number.....	LM501310
Outer Bearing Number *.....	LM501349
Wheel Seal Number *.....	471271

* These Items Not Included

Related Information:

OEM Part Number GMC 325068, Jeep 5352269
 General Vehicle Application GMC 1/2 Ton, (1st design (72-76))
 Dual or Single Rear Wheel Hub SRW
 Axle Manufacturer and Series. Dana 44 MonoBeam, Jeep 4500/5200/6025 GVW
 Locking Hub Part Number. D11002-02
 Disc Brake Pad Set Part Number D52
 Disc Rotor Part Number See Application Guide

D7013 - 4 Wheel Drive Front Hub



Specifications:

A. 8.43	E. 3.15
B. 8 - 6.5	F. 0.6145
C. 5.92	G. 3.16
D. 3.32	

Inner Bearing Race Number.....	362A
Inner Bearing Number *.....	—
Outer Bearing Race Number.....	LM501310
Outer Bearing Number *.....	—
Wheel Seal Number *.....	—

* These Items Not Included

Related Information:

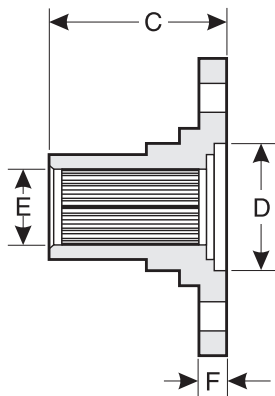
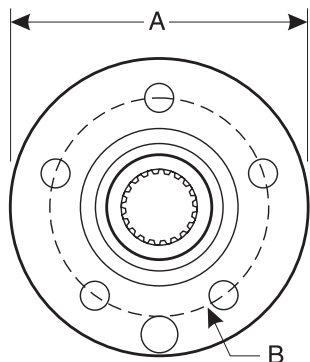
OEM Part Number Budd 101075
 General Vehicle Application Ford 3/4 Ton (75-79)
 Dual or Single Rear Wheel Hub SRW
 Axle Manufacturer and Series. —
 Locking Hub Part Number. D11002-02
 Disc Brake Pad Set Part Number 76 D20, 77-79 D120
 Disc Rotor Part Number See Application Guide

Splined Hub Specifications

Splined Hubs

Splined Hubs

D7015 - 4 Wheel Drive Front Hub



Specifications:

- A. 6.125
- B. 5 - 5.5
- C. 3.6
- D. 2.62
- E. 2.162
- F. 0.575

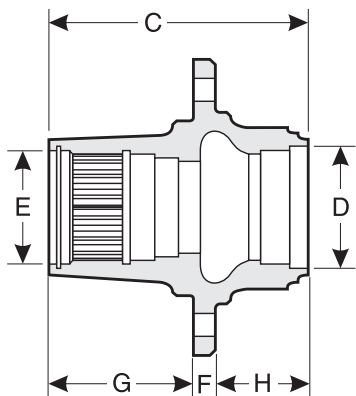
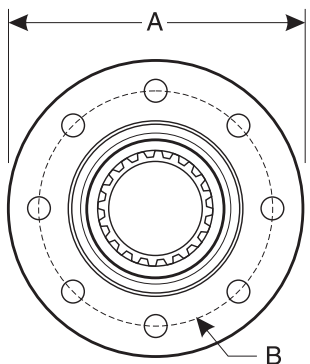
- Inner Bearing Race Number.....N/A
- Inner Bearing Number *.....N/A
- Outer Bearing Race Number.....N/A
- Outer Bearing Number *.....N/A
- Wheel Seal Number *.....N/A

* These Items Not Included

Related Information:

- OEM Part Number 4089274
- General Vehicle Application Dodge/Plymouth - Ramcharger/Trailduster/W100-150
- Dual or Single Rear Wheel Hub SRW
- Axle Manufacturer and Series..... Dana 44 Series, 3500 lbs.
- Locking Hub Part Number..... Fulltime
- Disc Brake Pad Set Part Number D123
- Disc Rotor Part Number See Application Guide

D7017 - 4 Wheel Drive Front Hub



Specifications:

- A. 8.3
- B. 8 - 6.5
- C. 6.44
- D. 3.25
- E. 3.12
- F. 0.670
- G. 3.25
- H. 2.50

- Inner Bearing Race Number.....LM104910
- Inner Bearing Number *.....LM104949
- Outer Bearing Race Number.....LM501310
- Outer Bearing Number *.....LM501349
- Wheel Seal Number *.....471271

* These Items Not Included

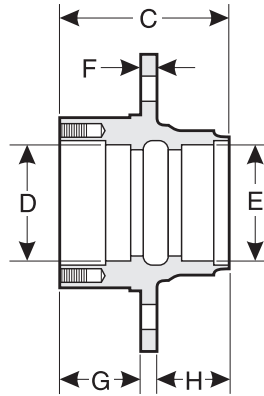
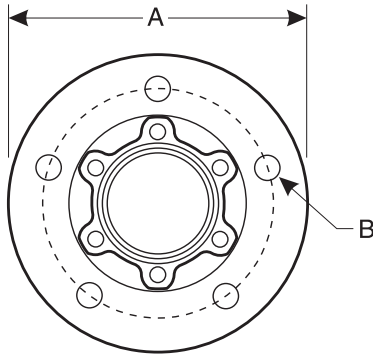
Related Information:

- OEM Part Number GM 14026767, Jeep 5359275
- General Vehicle Application GMC 3/4 Ton, 1 Ton, Jeep (74-78)
- Dual or Single Rear Wheel Hub SRW
- Axle Manufacturer and Series..... Dana 44 MonoBeam
- Locking Hub Part Number..... D11002-02
- Disc Brake Pad Set Part Number D52
- Disc Rotor Part Number See Application Guide

Splined Hubs

Splined Hub Specifications

D7018 - 4 Wheel Drive Front Hub



Specifications:

A. 7.18	E. 2.99
B. 5 - 5.5	F. 0.39
C. 4.06	G. 1.94
D. 2.90	H. 1.75

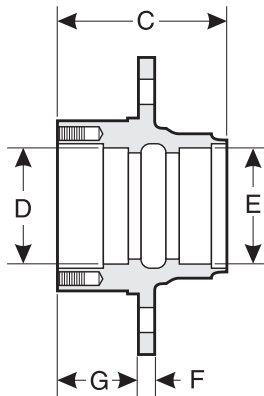
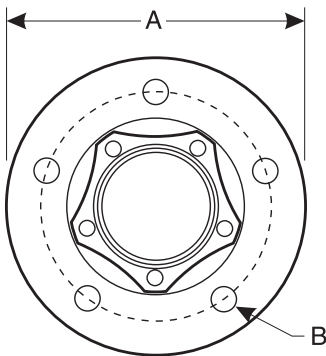
- Inner Bearing Race Number.....—
- Inner Bearing Number *.....—
- Outer Bearing Race Number.....—
- Outer Bearing Number *.....—
- Wheel Seal Number *.....—

* These Items Not Included

Related Information:

- OEM Part Number Jeep 5358568
- General Vehicle Application Jeep CJ (78-81) w/6 Bolt Flange
- Dual or Single Rear Wheel Hub SRW
- Axle Manufacturer and Series..... —
- Locking Hub Part Number..... —
- Disc Brake Pad Set Part Number —
- Disc Rotor Part Number See Application Guide

D7019 - 4 Wheel Drive Front Hub



Specifications:

A. 7.094	E. 3.015
B. 5 - 5.5	F. 0.380
C. 4.06	G. 1.98
D. 2.90	

- Inner Bearing Race Number.....—
- Inner Bearing Number *.....—
- Outer Bearing Race Number.....—
- Outer Bearing Number *.....—
- Wheel Seal Number *.....—

* These Items Not Included

Related Information:

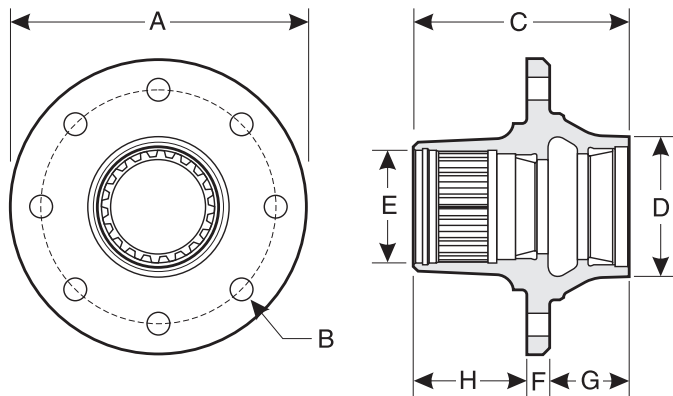
- OEM Part Number Jeep 5363421
- General Vehicle Application Jeep CJ (82-86) w/5 Bolt Flange
- Dual or Single Rear Wheel Hub SRW
- Axle Manufacturer and Series..... —
- Locking Hub Part Number..... —
- Disc Brake Pad Set Part Number —
- Disc Rotor Part Number See Application Guide

Splined Hub Specifications

Splined Hubs

Splined Hubs

D7021 - 4 Wheel Drive Front Hub



Specifications:

A. 8.179	E. 3.122
B. 8 - 6.5	F. 0.625
C. 5.903	G. 2.15
D. 3.87	H. 3.14

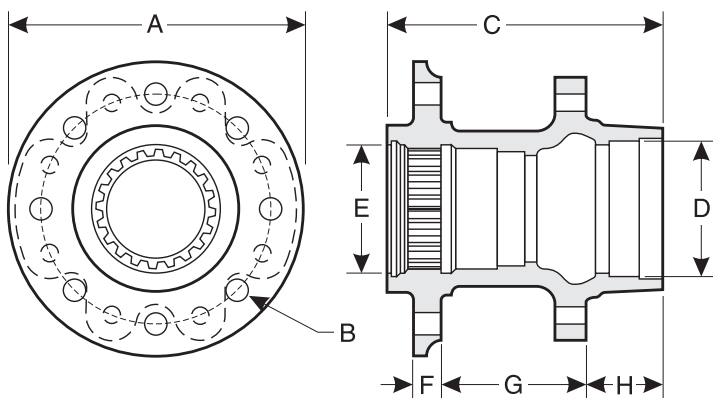
Inner Bearing Race Number.....JML104910
 Inner Bearing Number *.....LM104949
 Outer Bearing Race Number.....LM501310
 Outer Bearing Number *.....LM510349
 Wheel Seal Number *.....—

* These Items Not Included

Related Information:

OEM Part Number Ford E1TZ1102B (Assembly)
 General Vehicle Application Ford F250 (80-86) 3/4 Ton, 1 Ton
 Dual or Single Rear Wheel Hub SRW
 Axle Manufacturer and Series..... Dana 50 & 60
 Locking Hub Part Number..... D11042-02
 Disc Brake Pad Set Part Number D120
 Disc Rotor Part Number D4660

D7022 - 4 Wheel Drive Front Hub



Specifications:

A. 8.34	E. 3.64
B. 8 - 6.5	F. 0.799
C. 7.80	G. 4.11
D. 3.87	H. 2.17

Inner Bearing Race Number.....382A
 Inner Bearing Number *.....—
 Outer Bearing Race Number.....LM104911
 Outer Bearing Number *.....—
 Wheel Seal Number *.....—

* These Items Not Included

Related Information:

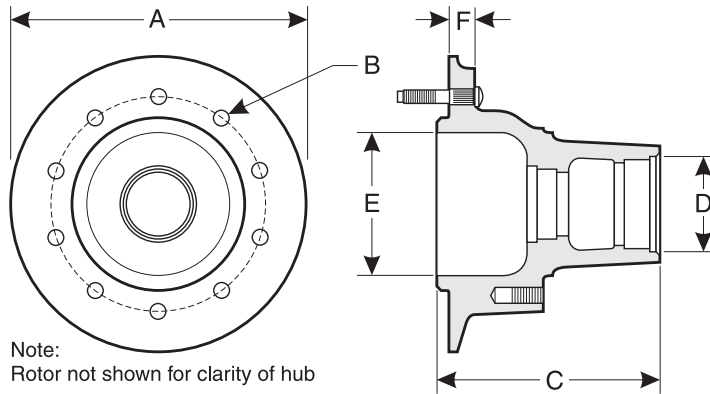
OEM Part Number Dodge 3821534
 General Vehicle Application Dodge 3/4 Ton, 1 Ton
 Dual or Single Rear Wheel Hub DRW
 Axle Manufacturer and Series..... Dana 60 MonoBeam, 4500 lbs.
 Locking Hub Part Number..... D11042-02
 Disc Brake Pad Set Part Number D149
 Disc Rotor Part Number See Application Guide

Splined Hubs

Splined Hub Specifications

Splined Hubs

D7025 - F450 Super Duty Front Hub



Specifications:

- | | |
|--------------|----------|
| A. 9.25 | E. 4.83 |
| B. 10 - 7.25 | F. 0.807 |
| C. 7.027 | |
| D. 3.00 | |

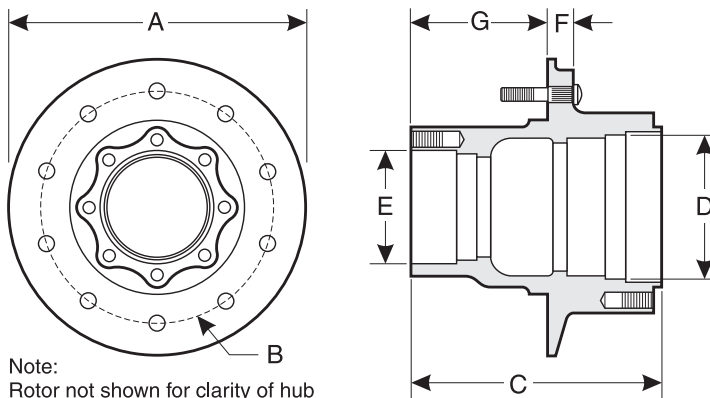
- Inner Bearing Race Number.....LM102910
- Inner Bearing Number *
- Outer Bearing Race Number.....15245
- Outer Bearing Number *
- Wheel Seal Number *

* These Items Not Included

Related Information:

- OEM Part Number
- General Vehicle Application Ford F450
- Dual or Single Rear Wheel Hub
- Axle Manufacturer and Series.....
- Locking Hub Part Number.....
- Disc Brake Pad Set Part Number
- Disc Rotor Part Number

D7026 - F450 Super Duty Rear Hub



Specifications:

- | | |
|--------------|----------|
| A. 9.25 | E. 3.54 |
| B. 10 - 7.25 | F. 0.807 |
| C. 7.80 | G. 3.37 |
| D. 4.50 | |

- Inner Bearing Race Number.....39520
- Inner Bearing Number *
- Outer Bearing Race Number.....362A
- Outer Bearing Number *
- Wheel Seal Number *

* These Items Not Included

Related Information:

- OEM Part Number
- General Vehicle Application Ford F450
- Dual or Single Rear Wheel Hub
- Axle Manufacturer and Series.....
- Locking Hub Part Number.....
- Disc Brake Pad Set Part Number
- Disc Rotor Part Number

4 x 4 Locking Hub Illustrations

Locking Hubs

Locking Hubs

D11002-02 Chev/GMC, Dodge and Ford



D11002-04 Chev/GMC, Dodge and Ford



D11002-05 Chev/GMC, Dodge and Ford



D11002-35 Ford



D11003-02 Chev/GMC, Dodge and Ford



D11042-02 Chev/GMC, Dodge and Ford



D32720 Conversion Kit



Conversion Kit is for complete axle. (one axle end shown)

D32721 Conversion Kit



Conversion Kit is for complete axle. (one axle end shown)

D404-12 Screw Kit

Screw Kit, Replacement Screws for Hub Cover Cap, Contains 6 Screws (Not Shown)

4 x 4 Locking Hub Application Guide

Application	Year	Locking Hub	Conversion Kit	Remarks
Dodge				
W100	80-93	D11002-02	not required	-
W200	-	D11003-02	not required	except full time 4WD
W300	90-98	D11042-02	D32721	Dana 50 & 60 axle
Ford				
F150	90-96	D11002-02	D32720	-
F250	77-87, 90-97	D11002-02	D32720	-
F250HD	77-87, 90-97	D11002-02	D32721	-
F250HD	77-87, 90-97	D11042-02	D32721	Dana 50 & 60 axle
F350, 450	76-99	D11042-02	D32721	Dana 50 & 60 axle
GM				
K1500	77-87	D11002-02	not required	-
K2500	77-87	D11002-02	D32720	-
K3500	77-87	D11042-02	D32721	Dana 50 & 60 axle

Numeric Listing

1410 to 602-151

Numeric Listing

Part No.	Description	Page No.	Part No.	Description	Page No.	Part No.	Description	Page No.
1410	Strip Lining	54, 59, 67	18-4085	Unlined Shoe	55	600-9131	Brake Caliper	45
1411	Strip Lining	55, 59, 68	18-4086	Unlined Shoe	55	600-9132	Brake Caliper	45
1412	Strip Lining	55, 59, 69	600-200	Brake Caliper	41	600-9151	Brake Caliper	46
1416	Strip Lining	54, 59	600-201	Brake Caliper	41	600-9152	Brake Caliper	46
1417	Strip Lining	54, 59, 70	600-204	Brake Caliper	41	600-9181	Brake Caliper	46
1418	Strip Lining	55, 59, 71	600-205	Brake Caliper	41	600-9182	Brake Caliper	46
1419	Strip Lining	55, 59, 72	600-208	Brake Caliper	41	600-9191	Brake Caliper	30, 46
1420	Strip Lining	55, 59, 73	600-209	Brake Caliper	21, 41	600-9192	Brake Caliper	30, 46
1421	Strip Lining	55, 59, 74	600-210	Brake Caliper	21, 41	601-129	Master Cyl. (Clutch)	94, 96
1422	Strip Lining	55, 59, 75	600-211	Brake Caliper	41	601-130	Master Cyl. (Clutch)	94, 96
1434	Strip Lining	54, 59, 76	600-216	Brake Caliper	8	601-132	Master Cyl. (Clutch)	94, 96
1455	Strip Lining	54, 59, 77	600-217	Brake Caliper	8	601-133	Master Cyl. (Clutch)	94, 96
1458	Strip Lining	54, 59, 78	600-218	Brake Caliper	41	601-134	Master Cyl. (Clutch)	94, 96
1468	Strip Lining	54, 59, 79	600-219	Brake Caliper	41	601-135	Master Cyl. (Clutch)	94, 96
1482	Strip Lining	54, 59, 80	600-228	Brake Caliper	42	601-136	Master Cyl. (Clutch)	94, 96
122527	Brake Rotor	53	600-229	Brake Caliper	42	601-139	Slave Cyl. (Clutch)	95, 96
122687	Brake Rotor	52	600-230	Brake Caliper	10, 22, 42	601-145	Slave Cyl. (Clutch)	95, 96
122688	Brake Rotor	52	600-231	Brake Caliper	10, 22, 42	601-149	Slave Cyl. (Clutch)	95, 96
122700	Brake Rotor	52	600-232	Brake Caliper	11, 42	601-152	Slave Cyl. (Clutch)	95, 96
122701	Brake Rotor	53	600-233	Brake Caliper	11, 42	601-153	Slave Cyl. (Clutch)	95, 96
122728	Brake Rotor	53	600-248	Brake Caliper	24, 42	601-155	Slave Cyl. (Clutch)	95, 96
122729	Brake Rotor	52	600-249	Brake Caliper	24, 42	601-178	Master Cyl. (Clutch)	94, 96
122897	Brake Rotor	52	600-260	Brake Caliper	20, 42	601-179	Slave Cyl. (Clutch)	96
122920	Brake Rotor	53	600-261	Brake Caliper	20, 42	601-185	Master Cyl. (Clutch)	94, 96
122945	Brake Rotor	53	600-276	Brake Caliper	27, 43	601-186	Slave Cyl. (Clutch)	95, 96
122962	Brake Rotor	53	600-277	Brake Caliper	27, 43	601-204	Slave Cyl. (Clutch)	95, 96
123296	Brake Rotor	52	600-282	Brake Caliper	28, 43	601-206	Slave Cyl. (Clutch)	95, 96
123439	Brake Rotor	52	600-283	Brake Caliper	28, 43	601-211	Slave Cyl. (Clutch)	95, 96
123458	Brake Rotor	52	600-284	Brake Caliper	26, 43	601-212	Master Cyl. (Clutch)	94, 96
123485	Brake Rotor	52	600-285	Brake Caliper	26, 43	601-221	Slave Cyl. (Clutch)	95, 96
123489	Brake Rotor	52	600-314	Brake Caliper	43	601-222	Master Cyl. (Clutch)	94, 96
154770	Brake Rotor	52	600-315	Brake Caliper	43	601-224	Master Cyl. (Clutch)	94, 96
23105424	Brake Rotor	52	600-902	Brake Caliper	43	601-226	Slave Cyl. (Clutch)	95, 96
23126229	Brake Rotor	52	600-904	Brake Caliper	15, 43	601-229	Slave Cyl. (Clutch)	95, 96
60050179	Seal Kit	15	600-905F	Brake Caliper	14, 44	601-235	Slave Cyl. (Clutch)	95, 96
60050180	Seal Kit	22	600-906	Brake Caliper	23, 44	601-236	Slave Cyl. (Clutch)	95, 96
60050183	Seal Kit	15	600-907	Brake Caliper	44	602-110	Master Cyl. (Brake)	91, 93
69270814	Caliper Piston	31	600-908	Brake Caliper	16, 44	602-111	Master Cyl. (Brake)	91, 93
23122691002	Brake Rotor	53	600-909	Brake Caliper	44	602-112	Master Cyl. (Brake)	91, 93
23122693006	Brake Rotor	53	600-910	Brake Caliper	44	602-120	Master Cyl. (Brake)	91, 93
23122703002	Brake Rotor	53	600-911	Brake Caliper	32, 44	602-121	Master Cyl. (Brake)	91, 93
23122743002	Brake Rotor	53	600-912	Brake Caliper	32, 44	602-122	Master Cyl. (Brake)	91, 93
23123041005	Brake Rotor	52	600-914	Brake Caliper	44	602-132	Master Cyl. (Brake)	91, 93
23123046002	Brake Rotor	52	600-917	Brake Caliper	44	602-134	Master Cyl. (Brake)	91, 93
23123341004	Brake Rotor	53	600-3171	Brake Caliper	45	602-135	Master Cyl. (Brake)	91, 93
23123433005	Brake Rotor	53	600-3172	Brake Caliper	45	602-138	Master Cyl. (Brake)	91, 93
23123460002	Brake Rotor	52	600-3181	Brake Caliper	45	602-139	Master Cyl. (Brake)	91, 93
23123550002	Brake Rotor	52	600-3182	Brake Caliper	45	602-143	Master Cyl. (Brake)	91, 93
23123552002	Brake Rotor	52	600-3191	Brake Caliper	45	602-145	Master Cyl. (Brake)	91, 93
23123572002	Brake Rotor	52	600-3192	Brake Caliper	45	602-147	Master Cyl. (Brake)	91, 93
23123573002	Brake Rotor	52	600-3211	Brake Caliper	45	602-148	Master Cyl. (Brake)	91, 93
18-4084	Unlined Shoe	55	600-3212	Brake Caliper	45	602-151	Master Cyl. (Brake)	92, 93

602-152 to C41194

Numeric Listing

Numeric Listing

Part No.	Description	Page No.
602-152	Master Cyl. (Brake)	92, 93
602-153	Master Cyl. (Brake)	92, 93
602-154	Master Cyl. (Brake)	92, 93
602-155	Master Cyl. (Brake)	92, 93
602-156	Master Cyl. (Brake)	92, 93
602-157	Master Cyl. (Brake)	92, 93
602-163	Master Cyl. (Brake)	92, 93
602-166	Master Cyl. (Brake)	92, 93
602-167	Master Cyl. (Brake)	92, 93
602-169	Master Cyl. (Brake)	92, 93
602-170	Master Cyl. (Brake)	92, 93
602-172	Master Cyl. (Brake)	92, 93
602-176	Master Cyl. (Brake)	92, 93
602-178	Master Cyl. (Brake)	92, 93
602-184	Master Cyl. (Brake)	93
602-193	Wheel Cyl. (Brake)	60
602-194	Wheel Cyl. (Brake)	60
602-202	Wheel Cyl. (Brake)	60, 81, 87
602-203	Wheel Cyl. (Brake)	60, 81, 87
602-206	Wheel Cyl. (Brake)	60, 81, 87
602-208	Lucas Park Cyl.	81, 87
602-209	Lucas Park Cyl.	81, 87
602-211	Lucas Adj. Cyl.	81, 87
602-212	Lucas Adj. Cyl.	81, 87
602-213	Lucas Adj. Cyl.	81, 87
602-214	Lucas Adj. Cyl.	81, 87
602-217	Lucas Park Cyl.	81, 87
602-218	Lucas Park Cyl.	81, 87
602-233	Wheel Cyl. (Brake)	60, 81, 87
602-234	Wheel Cyl. (Brake)	60, 81, 87
602-235	Wheel Cyl. (Brake)	60, 81, 87
602-236	Wheel Cyl. (Brake)	60, 81, 87
602-237	Wheel Cyl. (Brake)	60, 82, 87
602-238	Wheel Cyl. (Brake)	60, 82, 87
602-246	Wheel Cyl. (Brake)	60, 82, 87
602-247	Wheel Cyl. (Brake)	60, 82, 87
602-248	Wheel Cyl. (Brake)	60, 82, 87
602-249	Wheel Cyl. (Brake)	60, 82, 87
602-250	Wheel Cyl. (Brake)	82, 87
602-251	Wheel Cyl. (Brake)	82, 87
602-252	Wheel Cyl. (Brake)	82, 87
602-253	Wheel Cyl. (Brake)	82, 87
602-254	Wheel Cyl. (Brake)	82, 87
602-255	Wheel Cyl. (Brake)	82, 87
602-256	Wheel Cyl. (Brake)	82, 87
602-257	Wheel Cyl. (Brake)	82, 87
602-258	Wheel Cyl. (Brake)	82, 87
602-261	Wheel Cyl. (Brake)	83, 87
602-262	Wheel Cyl. (Brake)	83, 87
602-263	Wheel Cyl. (Brake)	60, 83, 87
602-264	Wheel Cyl. (Brake)	60, 83, 87
602-269	Wheel Cyl. (Brake)	83, 87

Part No.	Description	Page No.
602-270	Wheel Cyl. (Brake)	83, 87
602-271	Wheel Cyl. (Brake)	83, 87
602-272	Wheel Cyl. (Brake)	83, 87
602-276	Wheel Cyl. (Brake)	60
602-277	Wheel Cyl. (Brake)	60
602-278	Wheel Cyl. (Brake)	83, 87
602-279	Wheel Cyl. (Brake)	83, 87
602-280	Wheel Cyl. (Brake)	60
602-282	Wheel Cyl. (Brake)	83, 87
602-283	Wheel Cyl. (Brake)	83, 87
602-284	Wheel Cyl. (Brake)	83, 87
602-285	Wheel Cyl. (Brake)	83, 87
602-286	Wheel Cyl. (Brake)	83, 87
602-287	Wheel Cyl. (Brake)	84, 87
602-288	Wheel Cyl. (Brake)	84, 87
602-289	Wheel Cyl. (Brake)	84, 87
602-290	Wheel Cyl. (Brake)	84, 87
602-291	Wheel Cyl. (Brake)	84, 87
602-292	Wheel Cyl. (Brake)	84, 87
602-293	Wheel Cyl. (Brake)	84, 87
602-294	Wheel Cyl. (Brake)	60
602-295	Wheel Cyl. (Brake)	60
602-296	Wheel Cyl. (Brake)	84, 87
602-297	Wheel Cyl. (Brake)	84, 87
602-298	Wheel Cyl. (Brake)	84, 87
602-299	Wheel Cyl. (Brake)	84, 87
602-302	Wheel Cyl. (Brake)	84, 87
602-303	Wheel Cyl. (Brake)	84, 87
602-304	Wheel Cyl. (Brake)	84, 87
602-305	Wheel Cyl. (Brake)	84, 87
602-392	Wheel Cyl. (Brake)	85, 87
602-393	Wheel Cyl. (Brake)	85, 87
602-394	Wheel Cyl. (Brake)	85, 87
602-395	Wheel Cyl. (Brake)	85, 87
602-396	Wheel Cyl. (Brake)	85, 87
602-397	Wheel Cyl. (Brake)	85, 87
602-398	Wheel Cyl. (Brake)	85, 87
602-399	Wheel Cyl. (Brake)	85, 87
602-400	Wheel Cyl. (Brake)	85, 87
602-401	Wheel Cyl. (Brake)	85, 87
602-402	Wheel Cyl. (Brake)	85, 87
602-403	Wheel Cyl. (Brake)	85, 87
602-404	Wheel Cyl. (Brake)	85, 87
602-417	Master Cyl. (Brake)	93
602-430	Master Cyl. (Brake)	93
602-450	Master Cyl. (Brake)	93
602-479	Master Cyl. (Brake)	93
602-510	Master Cyl. (Brake)	93
602-521	Wheel Cyl. (Brake)	60, 85, 87
602-562	Wheel Cyl. (Brake)	60, 85, 87
602-563	Wheel Cyl. (Brake)	60, 85, 87
602-615	Wheel Cyl. (Brake)	87

Part No.	Description	Page No.
602-616	Wheel Cyl. (Brake)	87
602-635	Wheel Cyl. (Brake)	60, 85, 87
602-636	Wheel Cyl. (Brake)	60, 85, 87
602-1651	Lucas Backing Plate	86, 87
602-1652	Lucas Backing Plate	86, 87
602-1751	Lucas Backing Plate	86, 87
602-1752	Lucas Backing Plate	86, 87
602-1771	Lucas Backing Plate	86, 87
602-1772	Lucas Backing Plate	86, 87
603-100	Brake Hose	97
603-101	Brake Hose	97
603-109	Brake Hose	97
603-132	Brake Hose	97
603-133	Brake Hose	97
603-134	Brake Hose	97
603-150	Brake Hose	97
603-151	Brake Hose	97
603-152	Brake Hose	97
603-153	Brake Hose	97
603-167	Brake Hose	97
603-169	Brake Hose	97
603-170	Brake Hose	97
603-176	Brake Hose	97
603-182	Brake Hose	97
603-183	Brake Hose	98
603-184	Brake Hose	98
603-185	Brake Hose	98
603-186	Brake Hose	98
603-201	Brake Hose	98
603-212	Brake Hose	98
603-217	Brake Hose	98
603-220	Brake Hose	98
603-239	Brake Hose	98
603-260	Brake Hose	98
603-338	Brake Hose	98
603-339	Brake Hose	98
C15192	Seal Kit	30
C41002	Seal Kit	13
C41009	Seal Kit	8
C41049	Seal Kit	10
C41065	Seal Kit	9, 26
C41094	Seal Kit	11
C41113	Seal Kit	23
C41114	Seal Kit	14
C41115	Seal Kit	16
C41122	Seal Kit	19
C41127	Seal Kit	24
C41128	Seal Kit	21
C41139	Seal Kit	26
C41143	Seal Kit	27
C41145	Seal Kit	23
C41194	Seal Kit	33

Numeric Listing

C41195 to D4673

Numeric Listing

Part No.	Description	Page No.	Part No.	Description	Page No.	Part No.	Description	Page No.
C41195	Seal Kit	34, 35	CH9249	Hardware Kit	77	D826	Disc Pad Set	5, 34
CH100	Hardware Kit	31	CH9250	Hardware Kit	78	D827	Disc Pad Set	5, 35
CH101	Seal Kit	31	D50	Disc Pad Set	4	D0179	Integral Hub & Rotor	49
CH103	Hardware Kit	32	D52	Disc Pad Set	5, 8	D0181	Integral Hub & Rotor	49
CH1534	Adjusting Screw	66	D120	Disc Pad Set	5, 9	D1643	Brake Drum	89
CH1535	Adjusting Screw	66	D149	Disc Pad Set	4, 10	D1661	Brake Drum	89
CH1544	Adjusting Screw	65	D153	Disc Pad Set	5, 11	D1665	Brake Drum	89
CH1545	Adjusting Screw	65	D154	Disc Pad Set	3, 12	D1667	Brake Drum	89
CH1550	Adjusting Screw	63, 64	D155	Disc Pad Set	6	D1671	Brake Drum	89
CH1551	Adjusting Screw	63, 64	D171	Disc Pad Set	7, 13	D1673	Brake Drum	89
CH2588	Adjusting Kit	63, 64	D224	Disc Pad Set	6, 14	D1683	Brake Drum	89
CH2589	Adjusting Kit	63, 64	D225	Disc Pad Set	5, 15	D1903	Brake Drum	89
CH2598	Adjusting Kit	65	D236	Disc Pad Set	6, 16	D1961	Brake Drum	89
CH2599	Adjusting Kit	65	D249	Disc Pad Set	4, 17	D1964	Brake Drum	89
CH5004	Guide Bolt	8, 11, 12	D267	Disc Pad Set	6	D2005	Brake Drum	88
CH5010	Retaining Bolt	10, 15, 22, 23	D268	Disc Pad Set	7	D2006	Brake Drum	89
CH5030	Retaining Bolt	9	D269	Disc Pad Set	4, 18	D2018	Brake Drum	89
CH5036	Retaining Bolt	16	D327	Disc Pad Set	5	D2071	Brake Drum	89
CH5037	Retaining Bolt	14	D360	Disc Pad Set	4	D2079	Brake Drum	88
CH5044	Guide Bolt	19, 20, 27	D369	Disc Pad Set	3, 19	D2307	Brake Drum	88
CH5048	Guide Bolt	21	D370	Disc Pad Set	3, 20	D2336	Brake Drum	88
CH5080	Retaining Bolt	32	D375	Disc Pad Set	4	D2603	Brake Drum	88
CH5423	Pad Retainer	16	D379	Disc Pad Set	6, 21	D2614	Brake Drum	88
CH5500	Hardware Kit	8	D380	Disc Pad Set	5, 22, 23	D2618	Brake Drum	89
CH5502	Hardware Kit	13	D404-12	Screw Kit	112	D2663	Brake Drum	88
CH5516	Hardware Kit	18	D411	Disc Pad Set	6, 24	D2697	Brake Drum	88
CH5519	Hardware Kit	23	D433	Disc Pad Set	3, 25	D2934	Brake Drum	89
CH5522	Hardware Kit	15	D450	Disc Pad Set	5, 26	D2975	Brake Drum	88
CH5529	Hardware Kit	10, 22	D459	Disc Pad Set	3, 27	D2976	Brake Drum	88
CH5539	Hardware Kit	11	D557	Disc Pad Set	6, 28	D4520	Integral Hub & Rotor	49
CH5554	Hardware Kit	17	D591	Disc Pad Set	4	D4530	Integral Hub & Rotor	49
CH5555	Hardware Kit	36	D632	Disc Pad Set	5	D4542	Integral Hub & Rotor	49
CH5556	Hardware Kit	36	D646	Disc Pad Set	4, 29	D4545	Integral Hub & Rotor	49
CH5557	Hardware Kit	36	D652	Disc Pad Set	3	D4560	Integral Hub & Rotor	49
CH5584	Hardware Kit	9, 26	D655	Disc Pad Set	6	D4563	Integral Hub & Rotor	49
CH5585	Hardware Kit	19, 20	D667	Disc Pad Set	3	D4565	Integral Hub & Rotor	49
CH5594	Hardware Kit	14	D675	Disc Pad Set	5, 30	D4580	Integral Hub & Rotor	49
CH5596	Hardware Kit	16	D679	Disc Pad Set	4	D4598	Integral Hub & Rotor	49
CH5597	Hardware Kit	16	D702	Disc Pad Set	5	D4604	Brake Rotor	50
CH5606	Hardware Kit	27	D711	Disc Pad Set	3	D4620	Brake Rotor	50
CH5612	Hardware Kit	28	D734	Disc Pad Set	3	D4627	Integral Hub & Rotor	49
CH5630	Hardware Kit	30	D735	Disc Pad Set	3	D4629	Brake Rotor	50
CH5635	Hardware Kit	24	D756	Disc Pad Set	5	D4633	Brake Rotor	50
CH7046	Hardware Kit	65	D757	Disc Pad Set	4	D4635	Brake Rotor	50
CH7055	Hardware Kit	63, 64	D769	Disc Pad Set	6, 31	D4640	Brake Rotor	50
CH7199	Hardware Kit	61, 62	D777	Disc Pad Set	6	D4641	Brake Rotor	50
CH7209	Hardware Kit	66	D784	Disc Pad Set	6	D4654	Brake Rotor	50
CH8204	Caliper Shim Kit	37	D785	Disc Pad Set	4	D4656	Integral Hub & Rotor	49
CH8205	Caliper Shim Kit	38	D786	Disc Pad Set	6, 32	D4660	Brake Rotor	50
CH8206	Caliper Shim Kit	39	D802	Disc Pad Set	5	D4664	Integral Hub & Rotor	49
CH9241	Hardware Kit	76	D821	Disc Pad Set	6	D4667	Brake Rotor	50
			D825	Disc Pad Set	5, 33	D4673	Brake Rotor	50

D4687 to S726

Numeric Listing

Numeric Listing

Part No.	Description	Page No.
D4687	Integral Hub & Rotor	49
D4698	Brake Rotor	50
D4704	Integral Hub & Rotor	49
D4712	Brake Rotor	50
D4713	Brake Rotor	50
D4714	Brake Rotor	50
D4720	Integral Hub & Rotor	49
D4721	Brake Rotor	50
D4722	Brake Rotor	50
D4723	Integral Hub & Rotor	49
D4724	Integral Hub & Rotor	49
D4726	Brake Rotor	50
D4727	Brake Rotor	50
D4729	Integral Hub & Rotor	49
D4742	Brake Rotor	50
D4748	Integral Hub & Rotor	49
D4749	Integral Hub & Rotor	49
D4750	Brake Rotor	50
D4751	Brake Rotor	50
D4753	Integral Hub & Rotor	49
D4757	Integral Hub & Rotor	49
D4758	Brake Rotor	50
D4763	Integral Hub & Rotor	49
D4764	Integral Hub & Rotor	49
D4765	Integral Hub & Rotor	49
D4770	Brake Drum	89
D4771	Brake Drum	89
D4774	Brake Drum	89
D4776	Integral Hub & Rotor	49
D4777	Integral Hub & Rotor	49
D4779	Integral Hub & Rotor	49
D4781	Brake Drum	89
D4786	Integral Hub & Rotor	49
D4800	Integral Hub & Rotor	49
D4801	Brake Rotor	50
D4802	Integral Hub & Rotor	49
D4803	Brake Drum	89
D4804	Brake Drum	88
D4805	Brake Drum	89
D4807	Brake Drum	89
D4810	Integral Hub & Rotor	49
D4814	Integral Hub & Rotor	49
D4815	Integral Hub & Rotor	49
D4816	Brake Rotor	50
D4817	Brake Rotor	50
D4823	Integral Hub & Rotor	49
D4826	Brake Drum	89
D4831	Integral Hub & Rotor	49
D4832	Brake Rotor	50
D4833	Integral Hub & Rotor	49
D4837	Brake Rotor	50
D4838	Brake Rotor	50

Part No.	Description	Page No.
D4847	Integral Hub & Rotor	49
D4850	Integral Hub & Rotor	49
D4856	Integral Hub & Rotor	49
D4857	Brake Rotor	52
D4858	Brake Rotor	50
D4859	Brake Rotor	50
D4860	Brake Rotor	50
D4861	Brake Rotor	52
D4868	Brake Rotor	50
D4872	Brake Rotor	50
D4874	Brake Drum	89
D4876	Integral Hub & Rotor	49
D4877	Integral Hub & Rotor	49
D4878	Integral Hub & Rotor	49
D4881	Brake Rotor	50
D4890	Integral Hub & Rotor	49
D4891	Brake Rotor	50
D4894	Integral Hub & Rotor	49
D4895	Integral Hub & Rotor	49
D4896	Brake Rotor	50
D4897	Brake Rotor	50
D4899	Brake Rotor	50
D4901	Brake Rotor	50
D4902	Brake Rotor	50
D4903	Brake Rotor	50
D4904	Integral Hub & Rotor	49
D4905	Brake Rotor	50
D7000	Splined Hub	99, 101
D7001	Splined Hub	99, 101
D7002	Splined Hub	99, 102
D7003	Splined Hub	99, 102
D7004	Splined Hub	99, 103
D7005	Splined Hub	99, 103
D7006	Splined Hub	99, 104
D7007	Splined Hub	99, 104
D7008	Splined Hub	99, 105
D7009	Splined Hub	99, 105
D7010	Splined Hub	99, 106
D7011	Splined Hub	99, 106
D7012	Splined Hub	100, 107
D7013	Splined Hub	100, 107
D7015	Splined Hub	100, 108
D7017	Splined Hub	100, 108
D7018	Splined Hub	100, 109
D7019	Splined Hub	100, 109
D7021	Splined Hub	100, 110
D7022	Splined Hub	100, 110
D7025	Splined Hub	100, 111
D7026	Splined Hub	100, 111
D8021	Brake Drum	89
D8023	Brake Drum	89
D8024	Brake Drum	89

Part No.	Description	Page No.
D8025	Brake Drum	89
D8027	Brake Drum	89
D8100	Brake Drum	88
D8101	Brake Drum	88
D8102	Brake Drum	88
D8103	Brake Drum	89
D8107	Brake Drum	88
D11002-02	4x4 Locking Hub	112
D11002-04	4x4 Locking Hub	112
D11002-05	4x4 Locking Hub	112
D11002-35	4x4 Locking Hub	112
D11003-02	4x4 Locking Hub	112
D11042-02	4x4 Locking Hub	112
D32720	Conversion Kit	112
D32721	Conversion Kit	112
D106835	Brake Rotor	52
D109836	Brake Drum	89
S357N	Brake Shoe	54, 61
S358N	Brake Shoe	54, 62
S451N	Brake Shoe	55, 63
S452N	Brake Shoe	55, 64
S473N	Brake Shoe	54, 65
S542N	Brake Shoe	55
S543N	Brake Shoe	55
S544N	Brake Shoe	55
S582N	Brake Shoe	54
S583N	Brake Shoe	54, 66
S602	Brake Shoe	54, 67
S603	Brake Shoe	55, 68
S604	Brake Shoe	55, 69
S612	Brake Shoe	54, 70
S613	Brake Shoe	55, 71
S614	Brake Shoe	55, 72
S615	Brake Shoe	55, 73
S616	Brake Shoe	55, 74
S617	Brake Shoe	55, 75
S632	Brake Shoe	54, 76
S669	Brake Shoe	54, 77
S672	Brake Shoe	54, 78
S683	Brake Shoe	54, 79
S699	Brake Shoe	54, 80
S726	Brake Shoe	54

Notes

Notes