

HEAVY DUTY MVP® WHEEL SEALS

AFTERMARKET PARTS WARRANTY

We warrant all Triseal/MVP Products for one year from the date of shipment to the buyer against defective material or workmanship when such parts are used on vehicles, the specifications of which have been approved by our engineering department. We do not warrant against damage caused by accident, abuse or improper installation, maintenance or repair.

As the exclusive remedy under this warranty, we will at our option, repair or replace such parts free of charge, or take back the nonconforming parts and the refund monies paid by the buyer for such parts. Such parts must be found on examination to be nonconforming, and if necessary, the return charges are prepaid.

If it is necessary to return parts under this warranty, the buyer agrees not to make any deduction on account thereof from remittances on current accounts while the claims are in the process of disposition. Any expense incurred without our consent for repairs or replacement will not be allowed.

THIS WARRANTY IS EXPRESSLY IN LIEU OF ALL OTHER WARRANTIES OR CONDITIONS, EXPRESSED, IMPLIED OR STATUTORY, INCLUDING ANY IMPLIED WARRANTY OF MERCHANTABILITY OR FITNESS FOR PARTICULAR PURPOSE. IN NO EVENT SHALL THE SELLER BE LIABLE FOR INCIDENTAL OR CONSEQUENTIAL DAMAGES OF ANY NATURE.

Only genuine Triseal/MVP parts are covered by this aftermarket parts warranty.



 **TRISEAL CORPORATION®**

11920 Price Road
Hebron, Illinois 60034-8811

The fastest growing seal manufacturer in the heavy duty industry.

phone 815.648.2473
fax 815.648.2528
toll free 800.910.SEAL(7325)
toll free fax 800.569.2528

www.triseal.com
trisealcorp@msn.com

© 2003 Triseal Corporation. All rights reserved. Triseal Corporation and MVP logos are registered trademarks of Triseal Corporation.

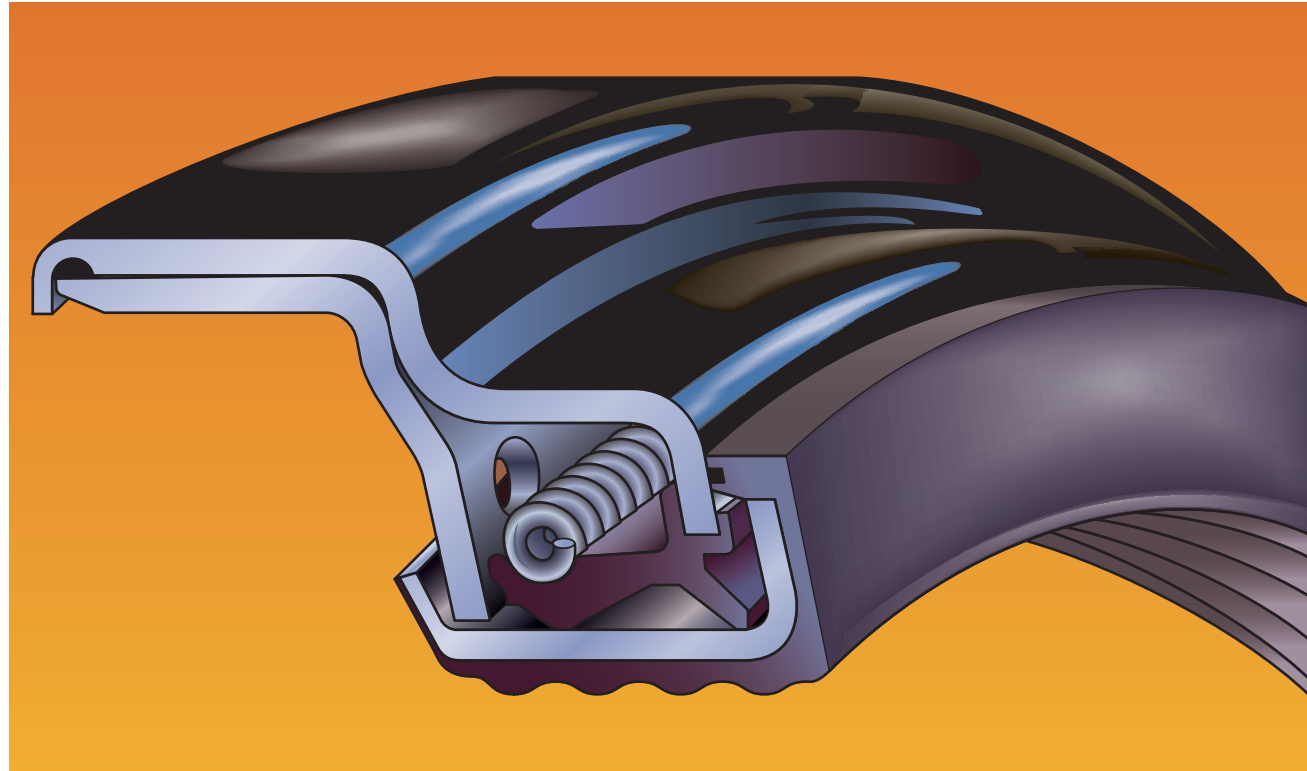
MVP WHEEL SEALS Catalog 2003

HEAVY DUTY



 **TRISEAL CORPORATION®**

UNITIZED OIL BATH SEALS



Triseal MVP® Unitized Seals are the preferred design for over-the-road applications.

Our seals are designed to last and allow for less than perfect conditions.

- Excellent static anti-seep capabilities for inter-modal applications and extended storage periods.
- Design allows for less than perfect bearing adjustment.
- Multi-point internal contamination exclusion system to prevent seal lip damage.
- MVP seals are designed to last—they do not degrade with age.
- Widest axle shoulder coverage in the industry.
- Effectively seal minor axle shoulder imperfections with molded nitrile surface.
- Withstands up to three PSI internal hub pressure build-up caused by clogged vents.
- Offers excellent temperature capabilities ranging from -20°F to 225°F (-24°C to 106°C).

MVP seals perform well with all recognized wheel bearing oils and greases.

Reinforced steel casing provides structural strength.

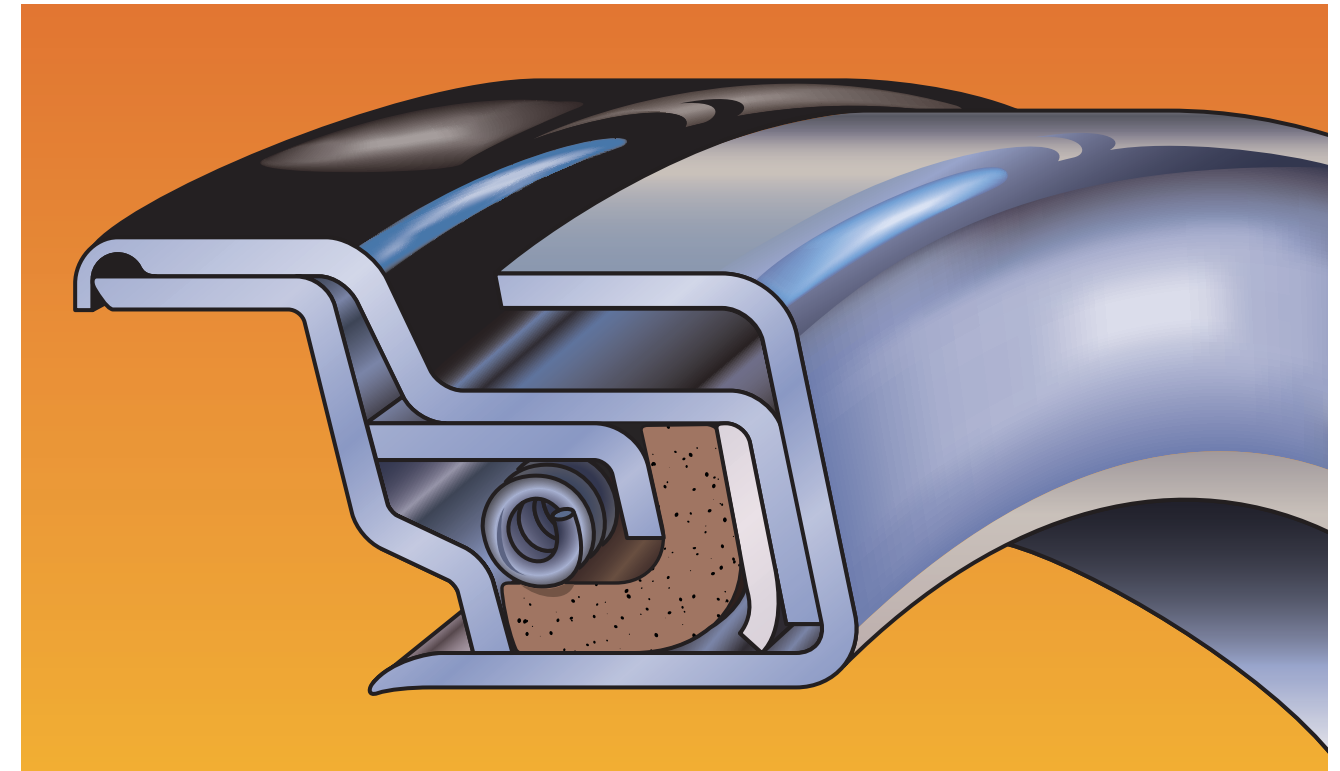
- Robust tool impact point designed to ensure damage-free installation.
- Metal-to-metal contact promotes heat transfer away from seal.
- Oversized outside diameter provides a secure fit.
- Prevents seal from spinning or walking in the hub bore in cold conditions.

Large vent holes allow the lubricant to flow around seal lip.

- Provide lubrication for the main seal lip for longer life.
- Assist in cooling of seal components.

MVP installation tools are easy to use and assure superior installation of hub seals.

SEVERE SERVICE SEALS



Triseal-MVP® Severe Service seals are the choice for difficult and harsh environments.

Ideal applications for MVP Severe Service seals:

- Hauling sand and gravel, handling concrete, dirt roads, mining and logging operations.

Polymer-impregnated leather is the toughest material used in manufacturing hub seals.

- Outperforms most nitrile seals in contaminated environments.
- Lay-down sealing element serves as final barrier to grit.
- Embeddable seal lip absorbs grit.
- Sealing element has best low temperature capabilities (-65°F/-55°C) of any material and great high temperature capabilities (170°F/+77°C).

Unique design severe service axle sleeve.

- Keeps out contamination.
- Allows greater heat transfer away from main seal lip.
- Protects seal from flying debris.
- Protects axle shoulder from damage during hub removal.

Multi-point internal contamination exclusion system.

- Prevents seal lip damage.
- Added wiper ring further reduces contamination.
- Long lasting. Our seals do not degrade with age.

MVP seals perform well with all recognized wheel bearing oils and greases.

Reinforced steel casing provides structural strength.

- Robust tool impact point designed to ensure damage-free installation.
- Metal-to-metal contact promotes heat transfer away from seal.
- Oversized outside diameter provides secure fit.
- Prevents seal from spinning or walking in the hub bore in cold conditions.

MVP installation tools are easy to use and assure superior installation of hub seals.



Made in the U.S.A.



Made in the U.S.A.

GARANTÍA DE PIEZAS PARE MERCADO DE REPUESTOS

Garantizamos todos los productos Triseal/MVP por un año a partir de la fecha de envío al comprador, contra mano de obra o material defectuoso, cuando dichas piezas se utilicen en vehículos, cuyas especificaciones se hayan aprobado por nuestro departamento de ingeniería. No garantizamos contra daños causados por accidentes, abuso o instalación, reparación o mantenimiento inadecuados.

Como remedio exclusivo de esta garantía, a opción nuestra, repararemos o reemplazaremos dichas piezas sin ningún cargo, o recibiremos la devolución de las piezas a desconformidad y el dinero de reembolso pagado por el comprador por dichas piezas. Se debe determinar, bajo el análisis de tales piezas, la inconformidad y, según sea necesario, los cargos de devolución son prepagados.

En caso de que sea necesario regresar las piezas bajo esta garantía, el comprador acuerda no hacer ninguna deducción en la cuenta de lo mismo de remesas en las cuentas actuales mientras las reclamaciones están en proceso de disposición. No se permitirá ningún gasto incurrido para reparaciones o reemplazos sin nuestro consentimiento.

ESTA GARANTÍA ES EXPRESAMENTE EN LUGAR DE TODAS LAS DEMÁS GARANTÍAS O CONDICIONES, EXPRESAS, IMPLÍCITAS O ESTATUTARIAS, INCLUYENDO CUALQUIER GARANTÍA, COMERCIALIDAD O CAPACIDAD IMPLÍCITA PARA UN PROPÓSITO EN PARTICULAR. EN NINGÚN CASO EL VENDEDOR SERÁ RESPONSABLE DE DAÑOS INCIDENTALES O EMERGENTES DE NINGUNA NATURALEZA.

Solamente piezas auténticas Triseal/MVP están cubiertas por esta garantía de piezas de posventa.

Catálogo 2003 de SELLOS PARA RUEDAS MVP

UNITIZED OIL BATH SEALS INTERCHANGE

TRISEAL MVP	STEMCO	CR		NATIONAL		EATON	
UNITIZED	VOYAGER/GUARDIAN	SCOTSEAL	SCOTSEAL PLUS	STANDARD	FIVE STAR	OUT-RUNNER	EATON
Trailer Axle Seals		Trailer Axle Seals		Trailer Axle Seals			
65060U	373-0143	46300/46305	46304	370025A	380025A	303	859
65261U	373-0113	40136	40133	370036A	380036A	301	850
65262U	373-0123	42623	42622	370065A	380065A	302	851
65298U	307-0744	43752	43753	370037A			853
Front Axle Seals		Front Axle Seals		Front Axle Seals			
65000U	383-0153	44922	44919	370124A			855
65078U	383-0156	45103	45102	370131A	380131A		857
65092U	383-0164	43764	43763	370048A	380048A		863
65263U	383-0136	35066	35059	370001A	380001A	305	847
65291U	382-8034	36285	36282	370012A			
65294U*	383-0139*	39988*	39977*	370033A*			
*Use with adapter 67038	*Use with adapter 310-1132	*Use with adapter 455031	*Use with adapter 455031	*Use with adapter AR12			
Drive Axle Seals		Drive Axle Seals		Drive Axle Seals			
65024U	309-0915	38750	38748	370024A			
65027U				370106A			
65030U	393-0148	52658		370069A			
65071U	393-0104	42672	42671	370031A	380031A		852
65111U	309-0935	34387	34386	370047A	380047A		
65152U [∞]	393-0112	38780	38779	370023A	380023A	306	849
65156U	393-0173	47697	47695	370003A		304	861
65165U	309-0960	48000	48001	370005A		308	860
65172U	309-0964	45160	45158	370021A		307	858
65184U		43860	43861	370019A			854
65270U	309-0903	45099	45097	370022A			856
65275U		38709		370033A			
65283U	309-0970	47699		370006A			

[∞] Use 65024U for GM application. Remove OEM seal spacer.

INDEX

	Page
AXLE APPLICATIONS	
AXLE IDENTIFICATION CHART	4
TRAILER, TAG AND PUSHER AXLE	6
TRUCK DRIVE AXLE	31
TRUCK FRONT AXLE	13
HUB CAPS	107
BY BOLT CIRCLE	108
BY PART NUMBER	109
SCREW ON HUB CAPS	108
HUB CAPS INTERCHANGE	110
HUBODOMETERS	114
INTERCHANGE GUIDE	124
BY TIRE SIZE	115
SEALS DIMENSIONAL INFORMATION	
BY BORE DIAMETER	120
BY PART NUMBER	118
BY SHAFT DIAMETER	122
WEAR SLEEVES DIMENSIONAL INFORMATION	
BY PART NUMBER	126
BY SHAFT DIAMETER	128
MVP SEALS AND SEAL KITS	
BY BORE DIAMETER	134
BY KIT NUMBER	131
BY SHAFT DIAMETER	137
BEARING TO SEAL QUICK REFERENCE	140
INSTALLATION TOOLS	175
INSTALLATION INSTRUCTIONS	176
BY KIT NUMBER	181
BY SEAL NUMBER	178
INTERCHANGES	
HUB CAPS INTERCHANGE	110
HUBODOMETERS INTERCHANGE GUIDE	124
MASTER SEAL INTERCHANGE	143
SEVERE SERVICE SEALS INTERCHANGE	184
UNITIZED OIL BATH SEALS INTERCHANGE	1

**For further information
call or visit www.triseal.com**



© 2003 Triseal Corporation. All rights reserved. Triseal Corporation and MVP logos are registered trademarks of Triseal Corporation.

SECTIONS

Trailer, Tag & Pusher Axle Applications	1
Truck Front Axle Applications	2
Truck Drive Axle Applications	3
Hub Caps & Hub Cap Interchange	4
Hubodometers	5
Wear Sleeve & Seal Dimensional Information	6
Seal & Seal Kit Specifications	7
Bearing To Seal Quick Reference	8
Master Seal Interchange	9
Installation Tools	10



For information call 800.910.(SEAL)7325

AXLE IDENTIFICATION CHART

Identify current design Front, Rear, Pusher, Tag and Trailer axles by the alphabetical, numerical or alpha/numeric axle codes. Refer to these codes for information on the size (capacity), type (model), brake system and modifications.

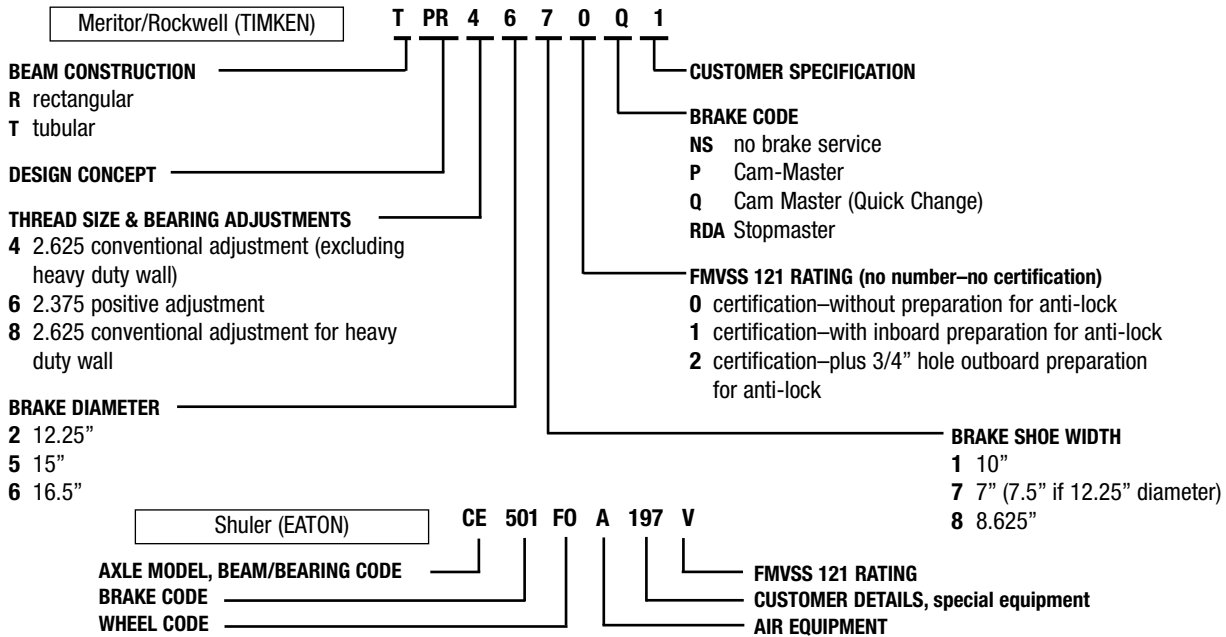
Three places to find axle model information:

- 1) An identification tag is attached to the axle beam (housing) or the axle carrier. Example pictured right.
- 2) On the rear of the axle beam (housing) or the axle carrier there is a stamping.
- 3) Inside the cab or attached to the cab door, you may find documents to help you identify the original equipment when the vehicle was shipped from the factory. This includes the bill of material, broadcast sheet, certification label, line ticket, service parts I.D. tag, specification list or vehicle data plate.

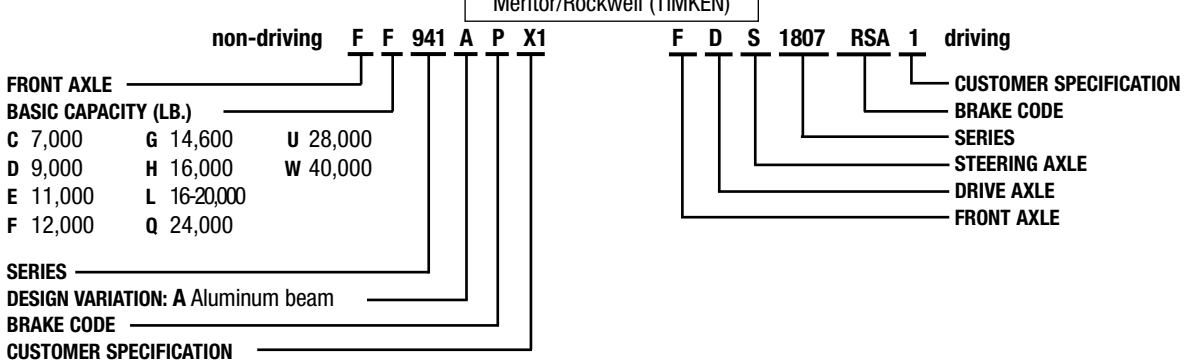
Model No	Customer No
Serial No	Plant
Ratio	Date

Identification Tag

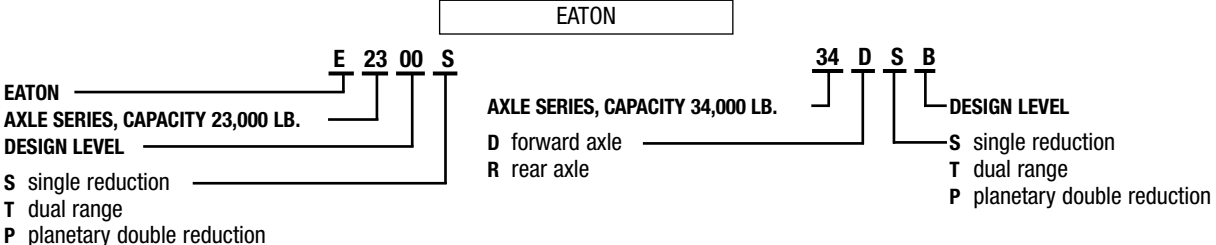
TRAILER AXLE IDENTIFICATION



FRONT AXLE IDENTIFICATION

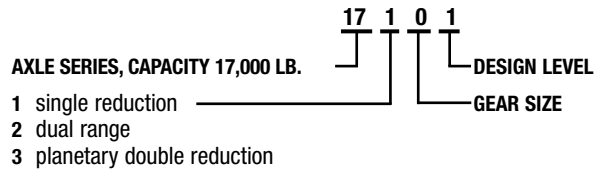
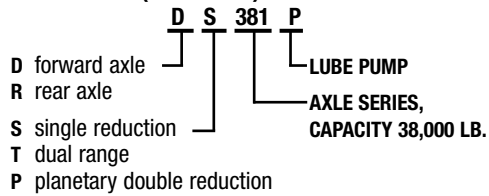


DRIVE AXLE IDENTIFICATION

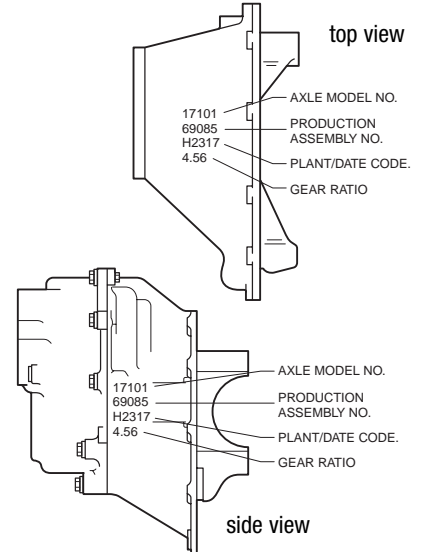
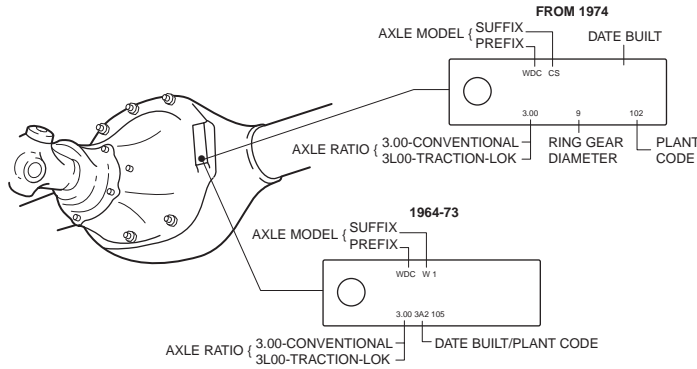


AXLE IDENTIFICATION CHART

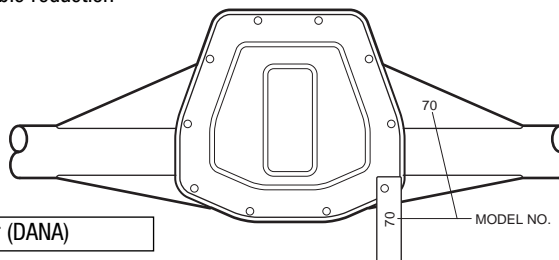
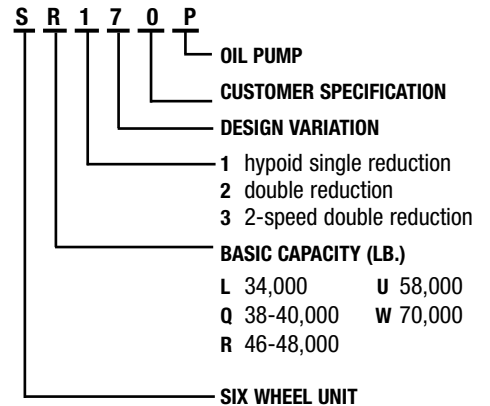
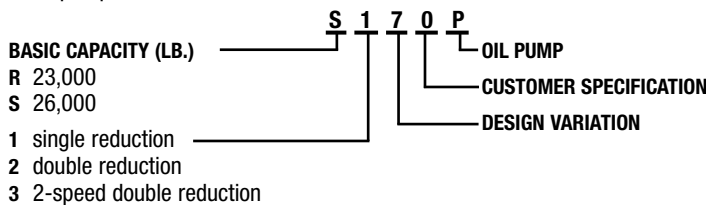
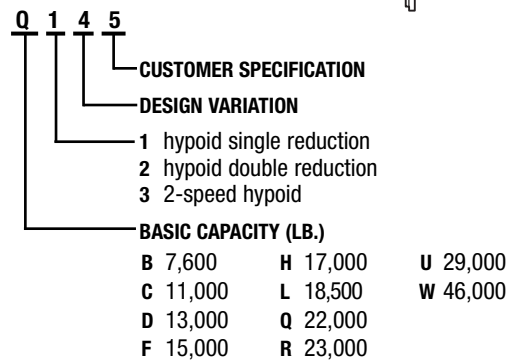
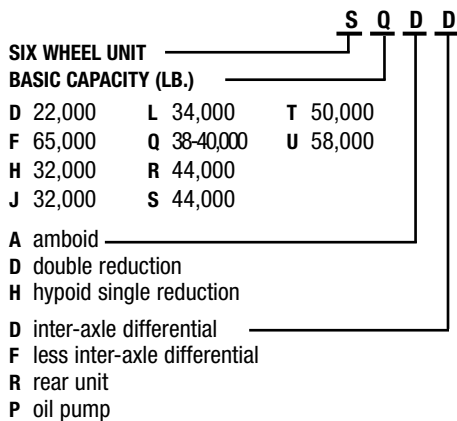
DRIVE AXLE (continued)



NOTE: number does not always indicate axle capacity (example 17201=19,000 lb.)



Meritor/Rockwell (TIMKEN)



Spicer (DANA)

A model number is cast on the bottom right hand side of the housing on all Spicer Axles.

NOTE: axle capacities are based on manufacturer's specifications "ground loading capacities." Installation of components with a higher capacity will not increase the axle capacity. Installation of components of a lesser capacity will reduce the overall capacity.

TRAILER, TAG AND PUSHER AXLE APPLICATIONS

1

MANUFACTURER AXLE MODEL OR CODE	INNER BEARING NUMBERS	STANDARD SERVICE	SEVERE SERVICE	UNITIZED	COMMENTS
------------------------------------	--------------------------	---------------------	-------------------	----------	----------

BROWN TRAILER (CLARK)

ND-7	653 / 663		70561	65261U	
------	-----------	--	-------	--------	--

CLARK

18000 Lb.	653 / 663		70561	65261U	See note 2
20000 Lb.	653 / 663		70561	65261U	See note 2

DANA (C&M)

D-22	HM218210 / HM218248	69598	70598	65060U	
K-14	563 / 567	69590	-	-	
K-20	653 / 663		70561	65261U	
K-21	653 / 663		70561	65261U	See note 2
K-22	HM218210 / HM218248	69598	70598	65060U	
K-25	742 / 749 or 742 / 749S	-	-	-	
K-30	752 / 759	69512	-	-	
P22	HM518410 / HM518445	69596	70596	65262U	

DELPHOS

DD	HM218210 / HM218248	69598	70598	65060U	
PD	HM518410 / HM518445	69596	70596	65262U	
PP	HM518410 / HM518445	69596	70596	65262U	

DEXTER

10000 Lb.	JM511910 / JM511946	69539	-	-	
-----------	---------------------	-------	---	---	--

EATON

20L	663 / 653		70561	65261U	
225P	HM518410 / HM518445	69596	70596	65262U	
22L	653 / 665A	69599	-	65298U	See note 3
23L	HM218210 / HM218248	69598	70598	65060U	
23R	HM218210 / HM218248	69598	70598	65060U	
24L	HM218210 / HM218248	69598	70598	65060U	
25DR	592A / 594A	69799	70799	65156U	
25LD	592A / 594A	69799	70799	65156U	
25R	HM218210 / HM218248	69598	70598	65060U	
25RD	592A / 594A	69799	70799	65156U	
A	653 / 663	-	-	-	
B	663 / 653		70561	65261U	
C	663 / 653		70561	65261U	See note 1
C2	653 / 665A	69599	-	65298U	
C2D	653 / 665A	69599	-	65298U	
CB	663 / 653		70561	65261U	
CD	663 / 653		70561	65261U	
CE	663 / 653		70561	65261U	See note 1

NOTES:

1. This axle when equipped with 12-1/4" x 7-1/2" brakes and Eaton Skid Control will not accept Unitized seal. Use 70561 kit only.
2. For early Shuler axles with Budd hubs, or if seal bore measures over 5.758". Use 70561 kit only.
3. This axle when equipped with 12-1/4" x 7-1/2" brakes and the Eaton Skid Control will not accept the Severe Service sleeve. Eaton rotor numbers 671574, 671346 and 671419 will interfere. Do not use.

TRAILER, TAG AND PUSHER AXLE APPLICATIONS

MANUFACTURER AXLE MODEL OR CODE	INNER BEARING NUMBERS	STANDARD SERVICE	SEVERE SERVICE	UNITIZED	COMMENTS
------------------------------------	--------------------------	---------------------	-------------------	----------	----------

EATON (Continued)

D	592A / 594A	69799	70799	65156U	
DE	592A / 594A	69799	70799	65156U	
DH	592A / 594A	69799	70799	65156U	
E	653 / 665A	69599	-	65298U	
ED	653 / 665A	69599	-	65298U	
EH	653 / 665A	69599	-	65298U	
H	742 / 749 or 742 / 749S	69523	-	-	
HD	742 / 749 or 742 / 749S	69523	-	-	
J	HM218210 / HM218248	69598	70598	65060U	See note 1
JE	HM218210 / HM218248	69598	70598	65060U	
JH	HM218210 / HM218248	69598	70598	65060U	
N	563 / 567	69590	-	-	
ND	563 / 567	69590	-	-	
P22	HM518410 / HM518445	69596	70596	65262U	
T	HM218210 / HM218248	69598	70598	65060U	
T14	563 / 567	69590	-	-	
T14D	563 / 567	69590	-	-	
T18	663 / 653		70561	65261U	
T18B	663 / 653		70561	65261U	
T18C	663 / 653		70561	65261U	
T20L	663 / 653		70561	65261U	
T21	742 / 749 or 742 / 749S	69523	-	-	
T22L	653 / 665A	69599	-	65298U	
T23L	HM218210 / HM218248	69598	70598	65060U	
T24L	HM218210 / HM218248	69598	70598	65060U	

FRUEHAUF

No. 1	5520 / 5557	-	-	-	
No. 2	5720 / 5752	69517	-	-	
No. 5 Before 1960	592A / 593	69594	-	-	
No. 5 Modified after 1959	592A / 593	69596	70596	65262U	
Pro-Par	HM518410 / HM518445	69596	70596	65262U	

G.M.C.

RX180	592A / 594A	69799	70799	65156U	
T11311	HM212011 / HM212047	69693	-	65291U	
TK560	653 / 663		70561	65261U	See note 2
TK561	653 / 663		70561	65261U	See note 2
TKD560	653 / 663		70561	65261U	See note 2

HAMMERBLOW

12000 Lb.	3920 / 3984	69730	-	-	
-----------	-------------	-------	---	---	--

KELSEY HAYES

90249 10000 Lb.	JM511910 / JM511946	69539	-	-	
-----------------	---------------------	-------	---	---	--

NOTES:

1. This axle when equipped with 12-1/4" x 7-1/2" brakes and Eaton Skid Control will not accept Unitized seal. Use 70561 kit only.
2. For early Shuler axles with Budd hubs, or if seal bore measures over 5.758". Use 70561 kit.

TRAILER, TAG AND PUSHER AXLE APPLICATIONS

1

MANUFACTURER AXLE MODEL OR CODE	INNER BEARING NUMBERS	STANDARD SERVICE	SEVERE SERVICE	UNITIZED	COMMENTS
------------------------------------	--------------------------	---------------------	-------------------	----------	----------

INGERSOLL

A-15-S	563 / 567	69590	-	-	
A-19-S	653 / 663		70561	65261U	See note 2
A-21-S	742 / 749 or 742 / 749S	69541	70541	-	
A-22-S	HM218210 / HM218248	69598	70598	65060U	
A-26-S	752 / 759	69512	-	-	

K-B AXLES

KB-5	653 / 663		70561	65261U	
KB-6	653 / 663		70561	65261U	
KB-7	653 / 663		70561	65261U	See note 2
KB-8	653 / 663		70561	65261U	See note 2
T-18-W	653 / 663		70561	65261U	
T-145	653 / 663		70561	65261U	
T-27	752 / 759	69502	-	-	
KBW	HM218210 / HM218248	69598	70598	65060U	
10000 Lb.	JM511910 / JM511946	69539	-	-	

KENWORTH

8QHD	592A / 598A	69799	70799	65156U	
(SQHD)	592A / 598A	69799	70799	65156U	

LA CROSSE

SD5105	653 / 663	69538	-	-	
SD5105	742 / 749A	69538	-	-	

MACK

SWDR-48	592A / 598	69792	-	-	
SWDR-49	592A / 598	69792	-	-	

MERITOR/ROCKWELL

T-13	563 / 567	69589	-	-	
T-14	493 / 495AX	69711	-	-	
T-17	653 / 663		70561	65261U	See note 2
T-18	653 / 663		70561	65261U	See note 2
T-20	742 / 749 or 742 / 749S	69541	70541	-	
T-25	592A / 594A	69522	-	-	
T-2000 (R-170)	592A / 594A	69799	70799	65156U	
T-11311	HM212011 / HM212047	69693	-	-	
FV	653 / 665A	69599	-	65298U	
RL	653 / 665A	69599	-	65298U	
RN	HM218210 / HM218248	69598	70598	65060U	
RQ	HM218210 / HM218248	69598	70598	65060U	
RQ-2	HM218210 / HM218248	69598	70598	65060U	
TH	493 / 495AX	69711	-	-	
THD	493 / 495AX	69711	-	-	
TK	653 / 663		70561	65261U	See note 2
TKD	653 / 663		70561	65261U	See note 2

NOTE:

2. For early Shuler axles with Budd hubs, or if seal bore measures over 5.758". Use 70561 only.

TRAILER, TAG AND PUSHER AXLE APPLICATIONS

MANUFACTURER AXLE MODEL OR CODE	INNER BEARING NUMBERS	STANDARD SERVICE	SEVERE SERVICE	UNITIZED	COMMENTS
------------------------------------	--------------------------	---------------------	-------------------	----------	----------

MERITOR/ROCKWELL (Continued)

TKL	653 / 665A	69599	-	65298U	
TKLD	653 / 665A	69599	-	65298U	
TKN	HM218210 / HM218248	69598	70598	65060U	
TKP	653 / 663		70561	65261U	See note 2
TL	653 / 665A	69599	-	65298U	
TLD	653 / 665A	69599	-	65298U	
TN	HM218210 / HM218248	69598	70598	65060U	
TP	HM518410 / HM518445	69596	70596	-	
TQ	HM218210 / HM218248	69598	70598	65060U	
TQD	HM218210 / HM218248	69598	70598	65060U	
TR	592A / 594A	69522	-	-	
TU	592A / 598A	69513	-	-	
Bus Tag	6535 / 6559	-	-	-	
Bus Tag	6320 / 6379	-	-	-	

MILLER TILT-TOP

L 166	42620 / 42687	69587	-	-	
-------	---------------	-------	---	---	--

NABORS

NU	653 / 663		70561	65261U	
----	-----------	--	-------	--------	--

NAVISTAR INTERNATIONAL TRUCK

RA-400	592A / 594	69791	70791	65172U	
RA-410	563 / 567	69589	-	-	
RA-411	563 / 567	69589	-	-	
RA-417	653 / 663		70561	65261U	See note 2
RA-418	592A / 594	69791	70791	65172U	
RA-420	653 / 663		70561	65261U	See note 2
RA-421	653 / 663		70561	65261U	See note 2
RA-422	653 / 663		70561	65261U	See note 2
RA-423	592A / 594	69791	70791	65172U	
RA-426	HM218210 / HM218248	69598	70598	65060U	
RA-438	553X / 557A	69699	-	65263U	
RA-439	553X / 557A	69699	-	65263U	
RA-441	653 / 663		70561	65261U	See note 2
RA-560	653 / 663		70561	65261U	See note 2
RA-570	653 / 663		70561	65261U	See note 2
RA-571	653 / 663		70561	65261U	See note 2

PALMAR

18	653 / 663				
----	-----------	--	--	--	--

PRIOR

10000 Lb.	JM511910 / JM511946	69539	-	-	
-----------	---------------------	-------	---	---	--

ROCKWELL (See MERITOR)

NOTE:

2. For early Shuler axles with Budd hubs, or if seal bore measures over 5.758". Use 70561 kit only.

TRAILER, TAG AND PUSHER AXLE APPLICATIONS

1

MANUFACTURER AXLE MODEL OR CODE	INNER BEARING NUMBERS	STANDARD SERVICE	SEVERE SERVICE	UNITIZED	COMMENTS
------------------------------------	--------------------------	---------------------	-------------------	----------	----------

SHULER (EATON)

B	653 / 663		70561	65261U	See note 2
C	653 / 663		70561	65261U	See note 2
C2	653 / 665A	69599	-	65298U	
CB	653 / 663		70561	65261U	See note 2
CD	653 / 663		70561	65261U	See note 2
C2D	653 / 665A	69599	-	65298U	
CE	653 / 663		70561	65261U	See note 2
E	653 / 665A	69599	-	65298U	
ED	653 / 665A	69599	-	65298U	
EH	653 / 665A	69599	-	65298U	
H	742 / 749 or 742 / 749S	69523	-	-	
HD	742 / 749 or 742 / 749S	69523	-	-	
J	HM218210 / HM218248	69598	70598	65060U	
JE	HM218210 / HM218248	69598	70598	65060U	
JH	HM218210 / HM218248	69598	70598	65060U	
N	563 / 567	69590	-	-	
ND	563 / 567	69590	-	-	
T	HM218210 / HM218248	69598	70598	65060U	
T-14	563 / 567	69590	-	-	
T-14D	563 / 567	69590	-	-	
T-18	653 / 663		70561	65261U	See note 2
T-18	653 / 663		70561	65261U	See note 2
T-18C	653 / 663		70561	65261U	See note 2
T-18C	653 / 663		70561	65261U	See note 2
T-21	742 / 749 or 742 / 749S	69523	-	-	
T-22L	653 / 665A	69599	-	65298U	
T-23L	HM218210 / HM218248	69598	70598	65060U	
T-24L	HM218210 / HM218248	69598	70598	65060U	
T-25	752 / 760	69516	-	-	
W	752 / 760	69516	-	-	
20L	653 / 663		70561	65261U	See note 2
22L	653 / 665A	69599	-	65298U	
22R	653 / 665A	69599	-	65298U	
23L	HM218210 / HM218248	69598	70598	65060U	
23R	HM218210 / HM218248	69598	70598	65060U	
24L	HM218210 / HM218248	69598	70598	65060U	
25LD	653 / 665A	69599	-	65298U	

SPENCER

209	742 / 749 or 742 / 749S	69524	-	-	
309	742 / 749 or 742 / 749S	69524	-	-	
408	653 / 663		70561	65261U	See note 2
409	742 / 749 or 742 / 749S	69524	-	-	
509	742 / 749 or 742 / 749S	69524	-	-	

NOTE:

2. For early Shuler axles with Budd hubs, or if seal bore measures over 5.758". Use 70561 kit only.

TRAILER, TAG AND PUSHER AXLE APPLICATIONS

MANUFACTURER AXLE MODEL OR CODE	INNER BEARING NUMBERS	STANDARD SERVICE	SEVERE SERVICE	UNITIZED	COMMENTS
------------------------------------	--------------------------	---------------------	-------------------	----------	----------

STANDARD FORGE

A-10-S	28920 / 28995	69612	-	-	
A-11-S	552A / 560S	69591	-	-	
A-13-S	563 / 567	69590	-	-	After 1968
A-15-S	563 / 567	69590	-	-	
A-17-S	653 / 663		70561	65261U	See note 2
A-18-S	653 / 663		70561	65261U	See note 2
A-19-S	653 / 663		70561	65261U	See note 2
A-20-T	742 / 749 or 742 / 749S	69524	-	-	
A-21-S	742 / 749 or 742 / 749S	69524	-	-	
A-21-T	742 / 749 or 742 / 749S	69541	70541	-	
A-22-S	HM218210 / HM218248	69598	70598	65060U	
A24H	HM518410 / HM518445	69596	70596	65262U	
A24S	HM518410 / HM518445	69596	70596	65262U	
A-25	752 / 759	69514	-	-	
A-26	28920 / 28995	69612	-	-	
A-26-S	28920 / 28995	69612	-	-	
A45S	772 / 778	-	-	-	
A700	653 / 663		70561	65261U	See note 2
A900	653 / 663		70561	65261U	See note 2
A-135 After 1968	563 / 567	69590	-	-	
A-225	HM218210 / HM218248	69598	70598	65060U	
A-700	653 / 663		70561	65261U	See note 2
A-900	653 / 663		70561	65261U	See note 2
AL-17-S	653 / 663		70561	65261U	See note 2
AT-20-T	742 / 749 or 742 / 749S	69524	-	-	
DA-11-S	552A / 560S	69591	-	-	
DA-13-S After 1968	563 / 567	69590	-	-	
DA-17-S	653 / 663		70561	65261U	See note 2
S-700	653 / 663		70561	65261U	See note 2
S-900	653 / 663		70561	65261U	See note 2
SD-2200-AB	39412 / 39250	69507	-	-	
STA-13-S After 1968	563 / 567	69590	-	-	
T-8.5	28920 / 28995	69612	-	-	
TA-13-S After 1968	563 / 567	69590	-	-	
TA-17	653 / 663		70561	65261U	See note 2
TA-17-S	653 / 663		70561	65261U	See note 2
TA-20-T	742 / 749 or 742 / 749S	69524	-	-	
TA-21-T	742 / 749 or 742 / 749S	69541	70541	-	
TA-25	752 / 759	69514	-	-	
TA-26	752 / 759	69512	-	-	
TTA-13-S After 1968	563 / 567	69590	-	-	
TTA-17-S	653 / 663		70561	65261U	

NOTE:

2. For early Shuler axles with Budd hubs, or if seal bore measures over 5.758". Use 70561 kit only.

TRAILER, TAG AND PUSHER AXLE APPLICATIONS

1

MANUFACTURER AXLE MODEL OR CODE	INNER BEARING NUMBERS	STANDARD SERVICE	SEVERE SERVICE	UNITIZED	COMMENTS
------------------------------------	--------------------------	---------------------	-------------------	----------	----------

SUDISA

EA11ED	592A / 594A	69799	70799	65156U	After 1968
EA11EM	HM218210 / HM218248	69598	70598	65060U	
EA11TM	HM218210 / HM218248	69598	70598	65060U	
EA12EF	HM518410 / HM518445	69596	70596	65262U	
EA12TD	592A / 594A	69799	70799	65156U	After 1968
EA12TF	HM518410 / HM518445	69596	70596	65262U	
EA9EM	HM218210 / HM218248	69598	70598	65060U	
ET9M	HM218210 / HM218248	69598	70598	65060U	

TRUNION

TA-175	653 / 663		70561	65261U	
--------	-----------	--	-------	--------	--

UTILITY

18000 Lb. After 1964	653 / 663		70561	65261U	
----------------------	-----------	--	-------	--------	--

WESTPORT

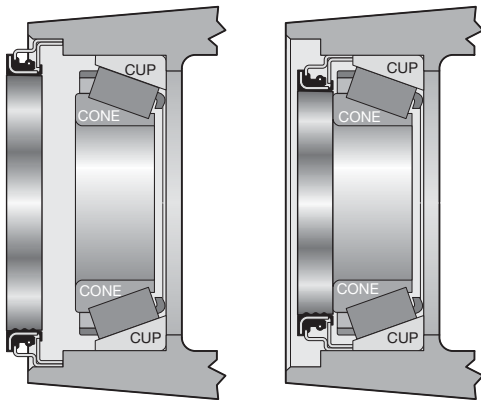
F3W-1600	HM218210 / HM218248	69598	70598	65060U	
F6W-1600	HM218210 / HM218248	69598	70598	65060U	
WS16	HM218210 / HM218248	69598	70598	65060U	w / Star Front

WHITE

TKN	HM218210 / HM218248	69598	70598	65060U	
TQD	HM218210 / HM218248	69598	70598	65060U	

WISCONSIN

S6	42620 / 42687	69589	-	-	
SD20	42620 / 42687	69589	-	-	
1900	42620 / 42687	69589	-	-	



Seal in Seal Bore

Seal in Bearing Bore

Some of the Oil Bath Seals have been engineered for installation into the bearing bore.

TRUCK FRONT AXLE APPLICATIONS

MANUFACTURER AXLE MODEL OR CODE	INNER BEARING NUMBERS	STANDARD SERVICE	SEVERE SERVICE	UNITIZED	COMMENTS
------------------------------------	--------------------------	---------------------	-------------------	----------	----------

DODGE

7000 Lb. w/o Anti Skid	45220 / 45284	69612	-	-	
9000 Lb. w/o Anti Skid	39520 / 39581	69699	-	65263U	
11,000 Lb.	HM212011 / HM212044	69699	-	65263U	
12,000 Lb. All	HM212011 / HM212047	69699	-	65263U	
15,000 Lb.	6320 / 6386	69620	-	-	
16,000 Lb. w/o Anti Skid	6420 / 6461A	69697	-	65092U	

EAGLE - TRANSIT BUS

Bogie Axle	HM212011 / HM212047	69699	-	65263U	
Front Axle	HM212011 / HM212047	69699	-	65263U	

EATON (SHULER)

DCA	832 / 843	-	-	-	
DCB	832 / 843	-	-	-	
DKA	6420 / 6460	-	-	-	
DKB	6420 / 6460	-	-	-	
EFA12F3	HM212011 / HM212049	69699	-	65263U	
EFA12F4	HM212011 / HM212049X	69699	-	65263U	See note 16
EFA13F3	HM212011 / HM212049X	69699	-	65263U	See note 16
EFA13F4	HM212011 / HM212049X	69699	-	65263U	See note 16
EFA13F5	HM212011 / HM212049X	69699	-	65263U	See note 16
EFA18F3	6420 / 6461A	69697	-	65092U	
EFA20F4	6420 / 6461A	69697	-	65092U	
EFA22T2	6420 / 6461A	69697	-	65092U	
EFA22T5	6420 / 6461A	69697	-	65092U	
EFA24T2	6420 / 6461A	69697	-	65092U	
EFA24T5	6420 / 6461A	69697	-	65092U	
FC	832 / 843	-	-	-	
FCA	832 / 843	-	-	-	
FE-10A	612 / 623	-	-	-	
FE-13	6420 / 6460	-	-	-	
FE-15	6420 / 6460	-	-	-	
FE-18	832 / 843	-	-	-	
FK	6420 / 6460	-	-	-	
FKA	6420 / 6460	-	-	-	
FN	6420 / 6460	-	-	-	
FTC	832 / 843	-	-	-	
FTCA	832 / 843	-	-	-	
FTK	6420 / 6460	-	-	-	
FTKA	6420 / 6460	-	-	-	
FX-1 (FE-10A)	612 / 623	-	-	-	

FORD

1 5000 Lb. 1970-74	3720 / 3778	-	-	-	
2 5000 Lb. 1970/74	3720 / 3778	-	-	-	
5000 Lb.	3720 / 3778	-	-	-	
A 16000 Lb.	3720 / 3778	69697	-	65092U	See note 1
A 5000 Lb.	3720 / 3778	-	-	-	See note 1

NOTES:

1. For Ford models late 1968 and after.
16. HM212049 should never be used in place of HM212049X.

TRUCK FRONT AXLE APPLICATIONS

2

MANUFACTURER AXLE MODEL OR CODE	INNER BEARING NUMBERS	STANDARD SERVICE	SEVERE SERVICE	UNITIZED	COMMENTS
------------------------------------	--------------------------	---------------------	-------------------	----------	----------

FORD (Continued)

A 5500 Lb.	3720 / 3778	-	-	-	See note 1
B 5500 Lb.	3720 / 3778	-	-	-	See note 1
C 6000 Lb. Before 1970	3720 / 3778	-	-	-	See note 2
E 6000 Lb. 1964-65	3720 / 3778	-	-	-	
J 5000 Lb. 1970-74	3720 / 3778	-	-	-	
K 5500 Lb. Before 1970	3720 / 3778	-	-	-	
L 6000 Lb. Before 1970	3720 / 3778	-	-	-	See note 2
U 6000 Lb. Before 1965	3720 / 3778	-	-	-	
V 5500 Lb.	3720 / 3778	-	-	-	
N 9000 Lb.	38520 / 39581	69636	-	-	
O 9000 Lb. After 1974	38520 / 39581	69642	-	-	
8	39520 / 39581	69642	-	-	
3 7500 Lb.	39520 / 39581	69642	-	-	4.542" seal O.D.
5 9000 Lb. After 1965	39520 / 39581	69699	-	65263U	
5 9000 Lb. Before 1966	39520 / 39581	69699	-	65263U	
6 9500 Lb.	39520 / 39581	69642	-	-	
7000 Lb. After 1974	39520 / 39581	69642	-	-	
7000 Lb. After 1974	39520 / 39581	69642	-	-	
7500 (Exc)	39520 / 39581	69642	-	-	
8000 Cargo	39520 / 39581	69642	-	-	
8000 Lb.	39520 / 39581	69642	-	-	
9000 Lb. After 1974	39520 / 39581	69642	-	-	
9000 Lb. After 1974	39520 / 39581	69642	-	-	
E 7000 Lb. 1965-69	39520 / 39581	69699	-	65263U	
E 9000 Lb.	39520 / 39581	69642	-	-	
F (Cargo)	39520 / 39581	69642	-	-	
F 9000 Lb. 1957-64	39520 / 39581	69699	-	65263U	
H 15000 Lb.	39520 / 39581	69642	-	-	
L 7500 Lb.	39520 / 39581	69642	-	-	With 3.50" shoulder
M 7000 Lb.	39520 / 39581	69642	-	-	With 3.50" shoulder
N 12000 Lb.	39520 / 39581	69642	-	-	
N 9000 Lb. Before 1965	39520 / 39581	69699	-	65263U	
N 9000 Lb. 1966-74	39520 / 39581	69636	-	-	
N 9000 Lb. Before 1965	39520 / 39581	69699	-	65263U	
O	39520 / 39581	69642	-	-	
O 9000 Lb. 1961-64	39520 / 39581	69699	-	65263U	
O 9500 Lb.	39520 / 39581	69642	-	-	
Y 5000 Lb.	39520 / 39581	69642	-	-	
6000 Lb. After 1974	39523 / 39581	69695	-	-	
7500	45220 / 45284	69695	-	-	With 2.875" shoulder
7500	45220 / 45284	69642	-	-	With 3.50" shoulder
3 6000 Lb. 1970-74	45220 / 45284	69695	-	-	
4 7000 Lb. 1970-74	45220 / 45284	69695	-	-	
6000 Lb.	45220 / 45284	69642	-	-	
6000 / 7000 Lb. After 1974	45220 / 45284	69642	-	-	With Hydraulic brakes
6000 Lb. After 1974	45220 / 45284	69695	-	-	
7000 Lb.	45220 / 45284	69642	-	-	With 3.50" shoulder
7000 Lb. After 1974	45220 / 45284	69695	-	-	With hydraulic brakes

NOTES:

1. For Ford models late 1968 and after.
2. Use 2-1/8" O.D. bearing adjustment washer, Ford part number 7EQ-1195.



TRUCK FRONT AXLE APPLICATIONS

MANUFACTURER AXLE MODEL OR CODE	INNER BEARING NUMBERS	STANDARD SERVICE	SEVERE SERVICE	UNITIZED	COMMENTS
------------------------------------	--------------------------	---------------------	-------------------	----------	----------

FORD (Continued)

8 6000 Lb.	45220 / 45284	69695	-	-	With 2.875" shoulder
8 6000 Lb.	45220 / 45284	69642	-	-	With 3.50" shoulder
9 8000 Lb.	45220 / 45284	69642	-	-	With 2.875" shoulder
9 8000 Lb.	45220 / 45284	69695	-	-	
D 6000 Lb.	45220 / 45284	69695	-	-	
D 7000 Lb. 1970-74	45220 / 45284	69695	-	-	See note 3
D 7000 Lb. Before 1970	45220 / 45284	69612	-	-	See note 3
D 7500 Lb. After 1969	45220 / 45284	69695	-	-	
E 7000 Lb. 64	45220 / 45284	69612	-	-	
E 7500 Lb. After 1969	45220 / 45284	69695	-	-	
E 9000 Lb.	45220 / 45284	69695	-	-	
G 7000 Lb. 65	45220 / 45284	69612	-	-	
G 7500 Lb. Before 1970	45220 / 45284	69612	-	-	
G 7500 Lb. After 1996	45220 / 45284	69695	-	-	
L 6000 Lb. 1970-74	45220 / 45284	69695	-	-	
L 7500 Lb.	45220 / 45284	69695	-	-	With 2.875" shoulder
L 7500 Lb.	45220 / 45284	69642	-	-	With 3.50" shoulder
M 7000 Lb.	45220 / 45284	69695	-	-	With 2.875" shoulder
M 7000 Lb.	45220 / 45284	69642	-	-	With 3.50" shoulder
M 7500 Lb. Before 1970	45220 / 45284	69612	-	-	
M 9000 Lb.	45220 / 45284	69695	-	-	
N 7500 Lb.	45220 / 45284	69695	-	-	
V 6000 Lb.	45220 / 45284	69695	-	-	With 2.875" shoulder
V 6000 Lb.	45220 / 45284	69642	-	-	With 3.50" shoulder
W 6000 Lb.	45220 / 45284	69695	-	-	With 2.875" shoulder
W 6000 Lb.	45220 / 45284	69642	-	-	With 3.50" shoulder
W 8000 Lb.	45220 / 45284	69695	-	-	With 2.875" shoulder
W 8000 Lb.	45220 / 45284	69642	-	-	With 3.50" shoulder
X 7000 Lb.	45220 / 45284	69695	-	-	With 2.875" shoulder
X 7000 Lb.	45220 / 45284	69642	-	-	With 3.50" shoulder
R 15000 Lb.	6320 / 6386 or 6320 / 6389	69620	-	-	
16000 Lb. After 1974	6420 / 6461A	69697	-	-	
18000 Lb. After 1974	6420 / 6461A	69697	-	-	
20000 Lb. After 1974	6420 / 6461A	69697	-	65092U	
9 15000 Lb.	6420 / 6461A	69697	-	65092U	
I 18000 Lb.	6420 / 6461A	69697	-	-	
I 20000 Lb.	6420 / 6461A	69697	-	-	
S 16000 Lb.	6420 / 6461A	69697	-	-	
T 18000 Lb.	6420 / 6461A	69697	-	-	
U 20000 Lb.	6420 / 6461A	69697	-	65092U	
Z 15000 Lb.	6420 / 6461A	69697	-	65092U	
6 12000 Lb. 1970-74	752 / 756A	69640	-	-	
8 12000 Lb. 1970-74	752 / 756A	69640	-	-	
F 11000 Lb. 1960-65	752 / 756A	69690	-	-	
F 12000 Lb. 1970 / 74	752 / 756A	69640	-	-	See note 5
F 12000 Lb. Before 1970	752 / 756A	69690	-	-	See note 5
G 11000 Lb. 1957-64	752 / 756A	69690	-	-	

NOTES:

3. Ford "D" code use R69612 through late 1969; After 1969, use 69695
5. Ford "F" code use 69690 through late 1969; After 1969, use 69640.

TRUCK FRONT AXLE APPLICATIONS

2

MANUFACTURER AXLE MODEL OR CODE	INNER BEARING NUMBERS	STANDARD SERVICE	SEVERE SERVICE	UNITIZED	COMMENTS
------------------------------------	--------------------------	---------------------	-------------------	----------	----------

FORD (Continued)

10000 Lb.	HM212011 / 212049	69699	-	65263U	After Apr 1992
10800 Lb.	HM212011 / 212049	69699	-	65263U	After Apr 1992
12000 Lb. Cargo	HM212011 / 212049	69699	-	65263U	After Apr 1992
13000 Lb.	HM212011 / 212049	69699	-	65263U	After Apr 1992
13100 Lb.	HM212011 / 212049	69699	-	65263U	After Apr 1992
14600 Lb.	HM212011 / 212049	69699	-	65263U	After Apr 1992
12000 Lb. After 1974	HM212011 / HM212047	69699	-	65263U	
6 9500 Lb.	HM212011 / HM212047	69699	-	65263U	
6 10800 Lb.	HM212011 / HM212047	69699	-	65263U	
B 12000 Lb. 1964	HM212011 / HM212047	69699	-	65263U	
G 12000 Lb.	HM212011 / HM212047	69699	-	65263U	
P 12000 Lb.	HM212011 / HM212047	69699	-	65263U	
6 12000 Lb.	HM212011 / HM212049	69699	-	65263U	After Apr 1992
7 12000 Lb.	HM212011 / HM212049	69699	-	65263U	
8000 (Cargo) After Apr 1992	HM212011 / HM212049	69699	-	65263U	See note 17
9000 (Cargo) After Apr 1992	HM212011 / HM212049	69699	-	65263U	See note 17
N (Cargo) After Apr 1992	HM212011 / HM212049	69699	-	65263U	

FORD - SCHOOL BUS

1 1970/76, 1978	3720 / 3778	-	-	-	
2 1970	3720 / 3778	-	-	-	
3 1970/1978	45220 / 45284	69695	-	-	
4 1970	39520 / 39581	69642	-	-	
4 1970/1974	45220 / 45284	69695	-	-	
5 1970	39520 / 39581	69642	-	-	
7 After Apr 1992	HM212011 / HM212049	69699	-	65263U	See note 17
8 1982	45220 / 45284	69695	-	-	
A 1978	3720 / 3778	-	-	-	
B 1978	3720 / 3778	-	-	-	
B 1964	HM212011 / HM212047	69699	-	65263U	
C Before 1970	3720 / 3778	-	-	-	
C 1978	45220 / 45284	69695	-	-	
D 1978	45220 / 45284	69695	-	-	
D 1977	39520 / 39581	69642	-	-	
E 1964/65	3720 / 3778	-	-	-	
E 1977	39520 / 39581	69642	-	-	
E 1977	45220 / 45284	69642	-	-	
E 1965/69	39520 / 39581	69699	-	65263U	
F 1957/64	39520 / 39581	69699	-	65263U	
G	HM212011 / HM212047	69699	-	65263U	
J 1970/76 1980	3720 / 3778	-	-	-	
K 1970	3720 / 3778	-	-	-	
L 1969	3720 / 3778	-	-	-	
L 1970	45220 / 45284	69695	-	-	
M 1970	39520 / 39581	69642	-	-	
M 1970/1974	45220 / 45284	69695	-	-	
N 1973	39520 / 39581	69642	-	-	
N 1973	45220 / 45284	69642	-	-	
O 1978	39520 / 39581	69642	-	-	
O 1978	45220 / 45284	69642	-	-	

NOTE:

17. Prior to April 1992 use HM212011 / HM212047.

TRUCK FRONT AXLE APPLICATIONS

MANUFACTURER AXLE MODEL OR CODE	INNER BEARING NUMBERS	STANDARD SERVICE	SEVERE SERVICE	UNITIZED	COMMENTS
------------------------------------	--------------------------	---------------------	-------------------	----------	----------

FORD - SCHOOL BUS (Continued)

P	HM212011 / HM212047	69699	-	65263U	
U Before 1965	3720 / 3778	-	-	-	
V 1978	3720 / 3778	-	-	-	
V 1982	45220 / 45284	69695	-	-	
W 1978	45220 / 45284	69695	-	-	
X 1978	39520 / 39581	69642	-	-	
Y 1978	3720 / 3778	-	-	-	

FWD CORP

ND-12	563 / 567	69688	-	-	
-------	-----------	-------	---	---	--

GKN

FK120	HM212011 / HM212047	69699	-	65263U	
-------	---------------------	-------	---	--------	--

G.M.C. - TRANSIT BUS

68853	5735 / 5760	69691	-	-	
-------	-------------	-------	---	---	--

G.M.C. & CHEVROLET

F-043	HM212011 / HM212047	69689	-	-	
F-070	45220 / 45284	69603	-	-	
F-070	45220 / 45285	69603	-	-	See note 9
F-090	39520 / 39581	69611	-	65116U	See note 10
F-110 Before 1960	553 / 557A	69590	-	-	
F-110 Before 1960	HM212011 / HM212044	69590	-	-	
F-110 1985 and after	HM212011 / HM212047	69693	-	65291U	
F-110 Before 1985	HM212011 / HM212047	69693	-	65291U	
F-120 Before 1985	HM212011 / HM212047	69693	-	65291U	
F-120 After 1984	HM212011 / HM212047	69689	-	-	
F-120D After 1984	HM212011 / HM212047	69689	-	-	
F-120D Before 1985	HM212011 / HM212047	69693	-	65291U	
F-150	6320 / 6386A	69691	-	-	
F-160	6320 / 6386A	69691	-	-	
FD-931	39520 / 39581	69642	-	-	
FE-900 Before 1960	553X / 557A	69590	-	-	See note 6
FE-900 Before 1960	HM212011 / HM212044	69590	-	-	See note 6
FE-900 After 1959	553X / 557A	69699	-	65263U	
FE-900 After 1959	HM212011 / HM212044	69699	-	65263U	
FE-921	HM212011 / HM212047	69699	-	65263U	
FE-970	752 / 756A	69690	-	-	
FF-901	HM212011 / HM212047	69699	-	65263U	
FF-921	HM212011 / HM212047	69699	-	65263U	
FF-931	HM212011 / HM212047	69699	-	65263U	
FF-932	HM212011 / HM212049	69699	-	65263U	
FF-933	HM212011 / HM212049	69699	-	65263U	
FF-941	HM212011 / HM212049	69699	-	65263U	
FF-971	752 / 756A	69640	-	-	

NOTES:

6. Prior to 1960 except Chevy FE-900 use 69626, OEM seal number 2284159. All others same as GMC.
9. Chevy F-070, IFS-070 after 1959.
10. Chevy F-090 to 1982 use 69611 / 65116U. From 1982 to 1985 use 69693. After 1985 use 69689.

TRUCK FRONT AXLE APPLICATIONS

2

MANUFACTURER AXLE MODEL OR CODE	INNER BEARING NUMBERS	STANDARD SERVICE	SEVERE SERVICE	UNITIZED	COMMENTS
------------------------------------	--------------------------	---------------------	-------------------	----------	----------

G.M.C. & CHEVROLET (Continued)

FG-943	HM212011 / HM212049	69699	-	65263U	
FH-070 After 1959	45220 / 45284	69603	-	-	
FH-070 After 1959	45220 / 45285	69603	-	-	
FL-901	6420 / 6461A	69697	-	65092U	
FL-931	6420 / 6461A	69697	-	65092U	
FL-941	6420 / 6461A	69697	-	65092U	
IFS-070	45220 / 45284	69603	-	-	See note 9
IFS-070	45220 / 45285	69603	-	-	See note 9
IFS-090	39520 / 39581	69611	-	65116U	See note 10
IFS-110	HM212011 / HM212047	69693	-	65291U	
RTS-11 (Bus)	6320 / 6386A	69691	-	-	
W7	HM212011 / HM212047	-	-	-	

G.M.C. & CHEVROLET - SCHOOL BUS

F070	45220 / 45284	69603	-	-	
F070D	45220 / 45284	69603	-	-	
F090 Before 1985	39520 / 39581	69611	-	65116U	
F090 1982-85	HM212011 / HM212047	69693	-	65291U	
F090 After 1984	HM212011 / HM212047	69689	-	-	
F110 Before 1985	HM212011 / HM212047	69693	-	65291U	
F110 After 1984	HM212011 / HM212047	69689	-	-	
F120 Before 1985	HM212011 / HM212047	69693	-	65291U	
F120 After 1984	HM212011 / HM212047	69689	-	-	
F120D Before 1985	HM212011 / HM212047	69693	-	65291U	
F120D After 1984	HM212011 / HM212047	69689	-	-	
FE900	553X / 557A	69699	-	65263U	
FE900 After 1959	HM212011 / HM212044	69699	-	65263U	
FF932	HM212011 / HM212049	69699	-	65263U	

IKRAUS-CROWN - TRANSIT BUS

A	6420 / 6461A	69697	-	65092U	
C	6420 / 6461A	69697	-	65092U	

ISUZU

FTR	HM212011 / HM212047	-	-	-	
FVR	H414210 / H414245A	-	-	-	

MACK

FA24	552A / 555S	-	-	-	
FA28	4536 / 4595	69604	-	-	
FA28	39520 / 39578	69604	-	-	
FA36	4536 / 4595	69604	-	-	
FA36	39520 / 39578	69604	-	-	
FA37	4536 / 4595	69604	-	-	
FA37	39520 / 39578	69604	-	-	
FA400	4536 / 4595	69604	-	-	
FA400	39520 / 39578	69604	-	-	

NOTES:

- Chevy F-070, IFS-070 after 1959.
- Chevy F-090 to 1982 use 69611 / 65116U. From 1982 to 1985 use 69693. After 1985 use 69689.

TRUCK FRONT AXLE APPLICATIONS

MANUFACTURER AXLE MODEL OR CODE	INNER BEARING NUMBERS	STANDARD SERVICE	SEVERE SERVICE	UNITIZED	COMMENTS
------------------------------------	--------------------------	---------------------	-------------------	----------	----------

MACK (Continued)

FA405	4536 / 4595	69604	-	-	
FA405	39520 / 39578	69604	-	-	
FA408	4536 / 4595	69604	-	-	
FA408	39520 / 39578	69604	-	-	
FA44	4536 / 4595	69604	-	-	
FA44	39520 / 39578	69604	-	-	
FA44A	4536 / 4595	69604	-	-	
FA44A	39520 / 39578	69604	-	-	
FA44B	4536 / 4595	69604	-	-	
FA44B	39520 / 39578	69604	-	-	
FA45	4536 / 4595	69604	-	-	
FA45	39520 / 39578	69604	-	-	
FA45A	4536 / 4595	69604	-	-	
FA45A	39520 / 39578	69604	-	-	
FA45B	4536 / 4595	69604	-	-	
FA45B	39520 / 39578	69604	-	-	
FA46	552A / 555S	-	-	-	
FA500	4536 / 4595	69604	-	-	
FA500	39520 / 39578	69604	-	-	
FA501	4536 / 4595	69604	-	-	
FA501	39520 / 39578	69604	-	-	
FA505	4536 / 4595	69604	-	-	
FA505	39520 / 39578	69604	-	-	
FA5051	4536 / 4595	69604	-	-	
FA5051	39520 / 39578	69604	-	-	
FA507 After 1959	552A / 559	69689	-	-	
FA507 After 1959	552A / 559	69689	-	-	
FA507 After 1960	3920 / 3982	69689	-	-	
FA5071	552A / 555S	-	-	-	
FA5071 After 1960	552A / 559	69689	-	-	
FA5071 After 1960	3920 / 3982	69689	-	-	
FA508 After 1960	3920 / 3982	69689	-	-	
FA509 After 1963	633 / 641	69628	-	65294U	See note 17
FA509 Before 1963	633 / 639	69616	-	-	See note 13
FA510 After 1963	633 / 641	69628	-	65294U	See note 17
FA510 Before 1963	633 / 639	69616	-	-	See note 13
FA511	4536 / 4595	69604	-	-	
FA511	39520 / 39578	69604	-	-	
FA5111	4536 / 4595	69604	-	-	
FA5111	39520 / 39578	69604	-	-	
FA512	552A / 559	69689	-	-	
FA512 After 1960	3920 / 3982	69689	-	-	
FA513 After 1963	633 / 641	69628	-	65294U	See note 17
FA513 Before 1963	633 / 639	69616	-	-	See note 13
FA5131	633 / 641	69628	-	65294U	See note 17
FA5131	HM212011 / HM212049	69628	-	65294U	See note 17
FA514 After 1960	552A / 559	69689	-	-	
FA514 After 1960	3920 / 3982	69689	-	-	
FA5141	552A / 555S	-	-	-	
FA5141 After 1960	552A / 559	69689	-	-	

NOTES:

13. Before 1963 use 69616; 1963 pull and check wheel. 1963 with 639 inner cone use 69616; 1963 with 641 cone use 69628.
17. 65294U must be used with bearing spacer 67038.

TRUCK FRONT AXLE APPLICATIONS

2

MANUFACTURER AXLE MODEL OR CODE	INNER BEARING NUMBERS	STANDARD SERVICE	SEVERE SERVICE	UNITIZED	COMMENTS
------------------------------------	--------------------------	---------------------	-------------------	----------	----------

MACK (Continued)

FA5141 After 1960	3920 / 3982	69689	-	-	
FA517 After 1960	552A / 559	69689	-	-	
FA517 After 1960	3920 / 3982	69689	-	-	
FA519 After 1963	633 / 641	69628	-	65294U	See note 17
FA519 Before 1963	633 / 639	69616	-	-	See note 13
FA522 After 1963	633 / 641	69628	-	65294U	See note 17
FA522 Before 1963	633 / 639	69616	-	-	See note 13
FA5221 After 1963	633 / 641	69628	-	65294U	See note 17
FA5221 Before 1963	633 / 639	69616	-	-	See note 13
FA523 After 1963	633 / 641	69628	-	65294U	See note 17
FA523 Before 1963	633 / 639	69616	-	-	See note 13
FA5231 After 1963	633 / 641	69628	-	65294U	See note 17
FA5231 Before 1963	633 / 639	69616	-	-	See note 13
FA532 1964 to 1968	633 / 641	69628	-	65294U	See note 17
FA532 After 1968	HM212011 / HM212049	69628	-	65294U	See note 17
FA532 Before 1963	633 / 639	69616	-	-	See note 13
FA5321 1964 to 1968	633 / 641	69628	-	65294U	See note 17
FA5321 After 1968	HM212011 / HM212049	69628	-	65294U	See note 17
FA5321 Before 1963	633 / 639	69616	-	-	See note 13
FA534 After 1971	39520 / 39585	69644	-	-	
FA534 Before 1971	4536 / 4595	69604	-	-	See note 11
FA534 Before 1971	39520 / 39585	69604	-	-	See note 11
FA5341 After 1971	39520 / 39578	69644	-	-	See note 11
FA5341 Before 1971	4536 / 4595	69604	-	-	See note 11
FA5341 Before 1971	39520 / 39578	69604	-	-	See note 11
FA535 After 1960	552A / 559	69689	-	-	
FA535 After 1960	6920 / 3982	69689	-	-	
FA5351	552A / 555S	-	-	-	
FA5351 After 1960	552A / 559	69689	-	-	
FA5351 After 1960	3920 / 3982	69689	-	-	
FA535CW	39520 / 39585	69642	-	-	
FA535N	6920 / 3982	69689	-	-	
FA536	HM212011 / HM212047	69628	-	65294U	See note 17
FA537	HM212011 / HM212047	69628	-	65294U	See note 17
FA56	552A / 555S	-	-	-	
FA561 Before 1963	633 / 639	69616	-	-	See note 13
FA561 After 1963	633 / 641	69628	-	65294U	See note 17
FA562 Before 1960	552A / 555S	-	-	-	
FA57	633 / 639	69616	-	-	See note 13
FA57 After 1963	633 / 641	69628	-	65294U	See note 17
FA571 After 1963	633 / 641	69628	-	65294U	See note 17
FA571 Before 1963	633 / 639	69616	-	-	See note 13
FA600 1960-68	6420 / 6461	69698	-	-	
FA600 After 1968	5735 / 5760	69698	-	-	
FA6000	6420 / 6461	69698	-	-	
FA6000	5735 / 5760	69698	-	-	
FA6001	6420 / 6461	69698	-	-	
FA6001	5735 / 5760	69698	-	-	

NOTES:

- For Mack 534 Series axles manufactured prior to mid 1971 with 2-1/8" inner bearing journal use 69604.
After mid 1971 with 2-1/2" journal use 69644.
- Before 1963 use 69616; 1963 pull and check wheel. 1963 with 639 inner cone use 69616; 1963 with 641 cone use 69628.
- 65294U must be used with bearing spacer 67038.

TRUCK FRONT AXLE APPLICATIONS

MANUFACTURER AXLE MODEL OR CODE	INNER BEARING NUMBERS	STANDARD SERVICE	SEVERE SERVICE	UNITIZED	COMMENTS
------------------------------------	--------------------------	---------------------	-------------------	----------	----------

MACK (Continued)

FA601 1960-68	6420 / 6461	69698	-	-	
FA601 After 1968	5735 / 5760	69698	-	-	
FA6011	6420 / 6461	69698	-	-	
FA6011	5735 / 5760	69698	-	-	
FA604	6420 / 6461A	69697	-	65092U	
FA6041	6420 / 6461A	69697	-	65092U	
FA6042	6420 / 6461A	69697	-	65092U	
FA6043	6420 / 6461A	69697	-	65092U	
FA6044	6420 / 6461A	69697	-	65092U	
FA612	5735 / 5760	69698	-	-	
FA612	6420 / 6461	69698	-	-	
FA614	6420 / 6461A	69697	-	65092U	
FA616	6420 / 6461A	69697	-	65092U	
FA616D	6420 / 6461A	69697	-	65092U	
FA617	6420 / 6461A	69697	-	65092U	
FA617D	6420 / 6461A	69697	-	65092U	
FA619	6420 / 6461A	69697	-	65092U	
FA703	752 / 758	-	-	-	
FA704	752 / 758	-	-	-	
FA717C	6420 / 6461A	69697	-	65092U	
FAL5051	4536 / 4595	69604	-	-	
FAL5071	552A / 559	69689	-	-	
FAL5071 After 1960	3920 / 3982	69689	-	-	
FAL522 After 1963	633 / 641	69628	-	65294U	See note 17
FAL522 Before 1963	633 / 639	69616	-	-	See note 13
FAL5221	633 / 641	69628	-	65294U	See note 17
FAL523 After 1963	633 / 641	69628	-	65294U	See note 17
FAL523 Before 1963	633 / 639	69616	-	-	See note 13
FAL532 1964 to 1968	633 / 641	69628	-	65294U	See note 17
FAL532 After 1968	HM212011 / HM212049	69628	-	65294U	See note 17
FAL532 Before 1963	633 / 639	69616	-	-	See note 13
FAL5321	633 / 641	69628	-	65294U	See note 17
FAL535 After 1960	552A / 559	69689	-	-	
FAL535 After 1960	3920 / 3982	69689	-	-	
FAN534	4536 / 4595	69604	-	-	See note 11
FAN534	39520 / 39578	69604	-	-	See note 11
FAN5341	4536 / 4595	69604	-	-	See note 11
FAN5341	39520 / 39578	69604	-	-	See note 11
FAN535 After 1960	552A / 559	69689	-	-	
FAN535 After 1960	3920 / 3982	69689	-	-	
FAN5351 After 1960	552A / 559	69689	-	-	
FAN5351 After 1960	3920 / 3982	69689	-	-	
FANL535 After 1960	552A / 559	69689	-	-	
FANL535 After 1960	3920 / 3982	69689	-	-	
FANL5351 After 1960	552A / 559	69689	-	-	
FAW535C	3920 / 3982	69689	-	-	
FAW536	HM212011 / HM212049	69628	-	65294U	See note 17
FAW5361	HM212011 / HM212049	69628	-	65294U	See note 17

NOTES:

11. For Mack 534 series axles manufactured prior to mid 1971 with 2-1/8" inner bearing journal use 69604.
After mid 1971 with 2-1/2" journal use 69644.
13. Through 1962 use 69616; 1963 pull and check wheel. 1963 with 639 inner cone use 69616; 1963 with 641 cone use 69628.
17. 65294U must be used with bearing spacer 67038.

TRUCK FRONT AXLE APPLICATIONS

2

MANUFACTURER AXLE MODEL OR CODE	INNER BEARING NUMBERS	STANDARD SERVICE	SEVERE SERVICE	UNITIZED	COMMENTS
------------------------------------	--------------------------	---------------------	-------------------	----------	----------

MACK (Continued)

FAW536C	HM212011 / HM212049	69628	-	65294U	See note 17
FAW536D	HM212011 / HM212049	69628	-	65294U	See note 17
FAW536W	HM212011 / HM212049	69628	-	65294U	See note 17
FAW537	HM212011 / HM212049	69628	-	65294U	See note 17
FAW5371	HM212011 / HM212049	69628	-	65294U	See note 17
FAW5371C	HM212011 / HM212049	69628	-	65294U	See note 17
FAW537C	HM212011 / HM212049	69628	-	65294U	See note 17
FAW537D	HM212011 / HM212049	69628	-	65294U	See note 17
FAW537W	HM212011 / HM212049	69628	-	65294U	See note 17
FAW538	HM212011 / HM212049	69628	-	65294U	See note 17
FAW538D	HM212011 / HM212049	69628	-	65294U	See note 17
FAW612C	6420 / 6461A	69697	-	65092U	
FAW616	6420 / 6461A	69697	-	65092U	
FAW616D	6420 / 6461A	69697	-	65092U	
FAW617	6420 / 6461A	69697	-	65092U	
FAW617CD	6420 / 6461A	69697	-	65092U	
FAW618	6420 / 6461A	69697	-	65092U	
FAW619	6420 / 6461A	69697	-	65092U	
FAW619W	6420 / 6461A	69697	-	65092U	

MERITOR/ROCKWELL

FC900 Before 1970	45220 / 45284	69612	-	-	
FC900 After 1969	45220 / 45284	-	-	-	
FC931	45220 / 45284	69612	-	-	
FC941	JM207010 / JM207049A	69645	-	-	
FD900	39520 / 39581	69699	-	65263U	
FD921	39520 / 39581	69699	-	65263U	
FD931	39520 / 39581	69642	-	-	
FD961	39520 / 39581	69699	-	65263U	
FD961	HM212011 / HM212047	69699	-	65263U	
FE900	553X / 557A	69699	-	65263U	
FE900	HM212011 / HM212044	69699	-	65263U	
FE921	HM212011 / HM212044	69699	-	65263U	
FE921	HM212011 / HM212047	69699	-	65263U	
FE931	553X / 557A	69699	-	65263U	
FE931	HM212011 / HM212044	69699	-	65263U	
FE970 6.375" Dia. Bore	752 / 756A	69690	-	-	
FE970 6.440" Dia. Bore	752 / 756A	69640	-	-	
FF900	HM212011 / HM212047	69699	-	65263U	
FF920	HM212011 / HM212047	69699	-	65263U	
FF921	HM212011 / HM212047	69699	-	65263U	
FF930	6320 / 6386	69635	-	-	
FF930	6320 / 6389	69635	-	-	
FF930	6320 / 6379	69635	-	-	
FF931	HM212011 / HM212047	69699	-	65263U	
FF932	HM212011 / HM212049	69699	-	65263U	
FF933	HM212011 / HM212047	69699	-	65263U	
FF934	HM212011 / HM212047	69699	-	65263U	
FF941	HM212011 / HM212047	69699	-	65263U	
FF942	HM212011 / HM212047	69699	-	65263U	
FF943	HM212011 / HM212047	69699	-	65263U	
FF961	HM212011 / HM212049	69699	-	65263U	

NOTE:

17. 65294U must be used with bearing spacer 67038.



TRUCK FRONT AXLE APPLICATIONS

MANUFACTURER AXLE MODEL OR CODE	INNER BEARING NUMBERS	STANDARD SERVICE	SEVERE SERVICE	UNITIZED	COMMENTS
------------------------------------	--------------------------	---------------------	-------------------	----------	----------

MERITOR/ROCKWELL (Continued)

FF971 6.375" Dia. Bore	752 / 756A	69690	-	-	
FF971 6.440" Dia. Bore	752 / 756A	69640	-	-	
FG900	6320 / 6386	69620	-	-	
FG900	6382 / 6389	69620	-	-	
FG941	HM212011 / HM212049	69699	-	65263U	
FG943	HM212011 / HM212049	69699	-	65263U	
FH900	6420 / 6461A	69697	-	65092U	
FH901	6420 / 6461A	69697	-	65092U	
FH900	6420 / 6461A	69697	-	65092U	
FL921	6420 / 6461A	69697	-	65092U	
FL931	6420 / 6461A	69697	-	65092U	
FL936	6420 / 6461A	69697	-	65092U	
FL941	6420 / 6461A	69697	-	65092U	
FL951	6420 / 6461A	69697	-	65092U	
2652	6320 / 6386	69635	-	-	
2652	6320 / 6389	69635	-	-	
2652	6320 / 6379	69635	-	-	
2653	6320 / 6386	69635	-	-	
2653	6320 / 6389	69635	-	-	
2653	6320 / 6379	69635	-	-	
2661	6320 / 6386	69635	-	-	
2661	6320 / 6389	69635	-	-	
2661	6320 / 6379	69635	-	-	
2662	6320 / 6386	69635	-	-	
2662	6320 / 6389	69635	-	-	
2662	6320 / 6379	69635	-	-	
2663	6320 / 6386	69635	-	-	
2663	6320 / 6389	69635	-	-	
2663	6320 / 6379	69635	-	-	
2664	6320 / 6379	69635	-	-	
2665	6320 / 6379	69635	-	-	
2770	6320 / 6379	69635	-	-	
2774	6320 / 6379	69635	-	-	
2776	6320 / 6379	69635	-	-	
16901	6320 / 6379	69635	-	-	
16902	6320 / 6379	69635	-	-	
16903	6320 / 6379	69635	-	-	
16905	6320 / 6379	69635	-	-	
16910	6320 / 6379	69635	-	-	
16920	6320 / 6379	69635	-	-	
16930	6320 / 6379	69635	-	-	
16931	6320 / 6379	69635	-	-	
2660	6320 / 6379	69635	-	-	
26062	6320 / 6379	69635	-	-	
26063	6320 / 6379	69635	-	-	
26065	6320 / 6379	69635	-	-	
27050	6320 / 6379	69635	-	-	
27050	6320 / 6389	69635	-	-	
27054	6320 / 6379	69635	-	-	
27054	6320 / 6389	69635	-	-	
27060	6320 / 6379	69635	-	-	
27060	6320 / 6389	69635	-	-	

2

TRUCK FRONT AXLE APPLICATIONS

MANUFACTURER AXLE MODEL OR CODE	INNER BEARING NUMBERS	STANDARD SERVICE	SEVERE SERVICE	UNITIZED	COMMENTS
------------------------------------	--------------------------	---------------------	-------------------	----------	----------

MERITOR/ROCKWELL (Continued)

27061	6320 / 6379	69635	-	-	See note 7
27061	6320 / 6389	69635	-	-	
27062	6320 / 6386	69635	-	-	
27070	6320 / 6379	69635	-	-	
27071	6320 / 6379	69635	-	-	
27072	6320 / 6379	69635	-	-	See note 7
27460	6320 / 6379	69635	-	-	
27460	6320 / 6386	69635	-	-	
27460	6320 / 6389	69635	-	-	See note 7
27462	6320 / 6379	69635	-	-	
27462	6320 / 6386	69635	-	-	
27462	6320 / 6389	69635	-	-	See note 7
27463	6320 / 6379	69635	-	-	
27463	6320 / 6386	69635	-	-	
27463	6320 / 6389	69635	-	-	See note 7
27465	6320 / 6379	69635	-	-	
27465	6320 / 6386	69635	-	-	
27465	6320 / 6389	69635	-	-	
27620	6320 / 6389	69635	-	-	
32500	3720 / 3778	-	-	-	
32501	3720 / 3778	-	-	-	
32502	3720 / 3778	-	-	-	
32504	3720 / 3778	-	-	-	
32505	3720 / 3778	-	-	-	
32506	3720 / 3778	-	-	-	
32508	3720 / 3778	-	-	-	
32509	3720 / 3778	-	-	-	
32514	3720 / 3778	-	-	-	
32515	3720 / 3778	-	-	-	
32518	3720 / 3778	-	-	-	
32519	3720 / 3778	-	-	-	
32520	3720 / 3778	-	-	-	
32521	3720 / 3778	-	-	-	
32550	3720 / 3778	-	-	-	
32552	3720 / 3778	-	-	-	
32553	3720 / 3778	-	-	-	
32556	3720 / 3778	-	-	-	

MERITOR/ROCKWELL - SCHOOL BUS

FC900 Before 1970	45220 / 45284	69612	-	-	
FC900 After 1969	45220 / 45284	-	-	-	
FC931	45220 / 45284	69612	-	-	
FD900	39520 / 39581	69699	-	65263U	
FD921	39520 / 39581	69699	-	65263U	
FD931	39520 / 39581	69642	-	-	
FD961	39520 / 39581	69699	-	65263U	
FD961	HM212011 / HM212047	69699	-	65263U	
FE900	553X / 557A	69699	-	65263U	
FE900	HM212011 / HM212044	69699	-	65263U	
FE921	HM212011 / HM212044	69699	-	65263U	

NOTE:

7. For 5-5/8" bore only. Pull wheel to check.

2

TRUCK FRONT AXLE APPLICATIONS

MANUFACTURER AXLE MODEL OR CODE	INNER BEARING NUMBERS	STANDARD SERVICE	SEVERE SERVICE	UNITIZED	COMMENTS
------------------------------------	--------------------------	---------------------	-------------------	----------	----------

MERITOR/ROCKWELL - SCHOOL BUS (Continued)

FE921	HM212011 / HM212047	69699	-	65263U	
FE931	553X / 557A	69699	-	65263U	
FE931	HM212011 / HM212044	69699	-	65263U	
FF900	HM212011 / HM212047	69699	-	65263U	
FF920	HM212011 / HM212047	69699	-	65263U	
FF921	HM212011 / HM212047	69699	-	65263U	
FF931	HM212011 / HM212047	69699	-	65263U	
FF932	HM212011 / HM212049	69699	-	65263U	
FF933	HM212011 / HM212047	69699	-	65263U	
FF934	HM212011 / HM212047	69699	-	65263U	
FF941	HM212011 / HM212047	69699	-	65263U	
FF942	HM212011 / HM212047	69699	-	65263U	
FF943	HM212011 / HM212047	69699	-	65263U	
FG941	HM212011 / HM212049	69699	-	65263U	
FG943	HM212011 / HM212049	69699	-	65263U	

NAVISTAR - INTERNATIONAL

2227	HM212011 / HM212049	69699	-	65263U	
2231	6420 / 6461A	69697	-	65092U	
2232	6420 / 6461A	69697	-	65092U	
2233	6420 / 6461A	69697	-	65092U	
2250	HM212011 / HM212049	69699	-	65263U	
002ADA	JM205110 / JM205149A	69645	-	-	
002ADB	JM205110 / JM205149A	69645	-	-	
002ADC	JM205110 / JM205149A	69699	-	65263U	
002ADD	JM205110 / JM205149A	69699	-	65263U	
002ADE	HM212011 / HM212049	69699	-	65263U	
002ADG	HM212011 / HM212049	69699	-	65263U	
002AEA	HM212011 / HM212049	69699	-	65263U	
002ARA	HM212011 / HM212049	69699	-	65263U	
FA100	39520 / 39581	69699	-	65263U	
FA101	JM207010 / JM207049	69645	-	-	
FA102	39520 / 39581	69699	-	65263U	
FA103	JM207010 / JM207049	69645	-	-	
FA104	JM207010 / JM207049	69645	-	-	
FA105	39520 / 39581	69699	-	65263U	
FA108	632 / 641	69692	-	65000U	
FA109 Before 1979	632 / 641	69692	-	65000U	
FA109 After 1978	632 / 641	69692	-	65000U	With disc wheels
FA109 After 1978	632 / 641	69696	-	65078U	With cast wheels
FA110	553X / 557A	69699	-	65263U	
FA111	553X / 557A	69699	-	65263U	
FA112	752 / 756A	69690	-	-	
FA113	752 / 756A	69690	-	-	
FA114	H715311 / H715345	69692	-	65000U	
FA115	553X / 557A	69699	-	65263U	
FA118 Before 1980	H715311 / H715345	69692	-	65000U	
FA118 After 1978	H715311 / H715345	69692	-	65000U	With disc wheels
FA118 After 1978	H715311 / H715345	69696	-	65078U	With cast wheels
FA119	H715311 / H715345	69692	-	65000U	
FA127 Before 1979	H715311 / H715345	69692	-	65000U	
FA127 Cast wheel	H715311 / H715345	69696	-	65078U	
FA127 Disc wheel	H715311 / H715345	69692	-	65000U	

2

TRUCK FRONT AXLE APPLICATIONS

2

MANUFACTURER AXLE MODEL OR CODE	INNER BEARING NUMBERS	STANDARD SERVICE	SEVERE SERVICE	UNITIZED	COMMENTS
------------------------------------	--------------------------	---------------------	-------------------	----------	----------

NAVISTAR - INTERNATIONAL (Continued)

FA132	6320 / 6386 or 6320 / 6389	69620	-	-	
FA133	6320 / 6386 or 6320 / 6389	69620	-	-	
FA136	6420 / 6461A	69697	-	65092U	
FA137	6420 / 6461A	69697	-	65092U	
FA139 Before 1977	H715311 / H715345	69692	-	65000U	See note 12
FA139 Disc wheel	H715311 / H715345	69692	-	65000U	See note 12
FA139 Cast wheel	H715311 / H715345	69696	-	65078U	
FA150	6420 / 6461A	69697	-	65092U	
FA175	6420 / 6460	-	-	-	
FA180	832 / 843	-	-	-	
FA181	832 / 843	-	-	-	
FA182	6420 / 6461A	69697	-	65092U	
FA183	6420 / 6461A	69697	-	65092U	
FA201	39520 / 39581	69699	-	65263U	
FA208	39520 / 39581	69699	-	65263U	
FA209	39520 / 39581	69699	-	65263U	
FA210	553X / 557A	69699	-	65263U	
FA211	HM212011 / HM212047	69699	-	65263U	
FA212	HM212011 / HM212047	69699	-	65263U	
FA213	HM212011 / HM212047	69699	-	65263U	
FA215	HM212011 / HM212047	69699	-	65263U	
FA216	HM212011 / HM212047	69699	-	65263U	
FA218	HM212011 / HM212047	69699	-	65263U	
FA219	HM212011 / HM212047	69699	-	65263U	
FA225	HM212011 / HM212047	69699	-	65263U	
FA226	HM212011 / HM212047	69699	-	65263U	
FA228	HM212011 / HM212047	69699	-	65263U	
FA229	HM212011 / HM212047	69699	-	65263U	
FA231	6420 / 6461A	69697	-	65092U	
FA223	6420 / 6461A	69697	-	65092U	
FA233	6420 / 6461A	69697	-	65092U	
FA234	752 / 756A	69640	-	-	
FA238	6420 / 6461A	69697	-	65092U	
FA239	6420 / 6461A	69697	-	65092U	
FA241	6420 / 6461A	69697	-	65092U	
FA242	H715311 / H715345	69696	-	65078U	
FA245	6420 / 6461A	69697	-	65092U	
FA248	HM212011 / HM212047	69699	-	65263U	
FA250	HM212011 / HM212049	69699	-	65263U	
FA309	HM212011 / HM212049	69692	-	65000U	
FA329	HM212011 / HM212049	69692	-	65000U	
FA336	H715311 / H715345	69696	-	65078U	
FA337	H715311 / H715345	69696	-	65078U	
FA339	H715311 / H715345	69696	-	65078U	
FA340	H715311 / H715345	69696	-	65078U	
FA341	HM212011 / HM212049	69692	-	65000U	
FA342	752 / 756A	69690	-	-	
FA343	H715311 / H715345	69696	-	65078U	
FA71 After 1974	JM205110 / JM208149A	69645	-	-	
FA73	JM205110 / JM208149A	69645	-	-	
FA74	JM205110 / JM208149A	69645	-	-	

NOTE:

12. "S" series and after 1978.



TRUCK FRONT AXLE APPLICATIONS

MANUFACTURER AXLE MODEL OR CODE	INNER BEARING NUMBERS	STANDARD SERVICE	SEVERE SERVICE	UNITIZED	COMMENTS
------------------------------------	--------------------------	---------------------	-------------------	----------	----------

NAVISTAR - INTERNATIONAL (Continued)

FA95 7 / 69 and after	45220 / 45284	69695	-	-	
FAADD	H715311 / H715345	69696	-	65078U	
FAADE	H715311 / H715345	69696	-	65078U	
FF931	HM212011 / HM212047	69699	-	65263U	
FF941	HM212011 / HM212047	69699	-	65263U	

NAVISTAR - INTERNATIONAL - SCHOOL BUS

FA101	JM207010 / JM207049	69645	-	-	
FA103	JM207010 / JM207049	69645	-	-	
FA104	JM207010 / JM207049	69645	-	-	
FA105	39520 / 39581	69699	-	65263U	
FA109 Before 1979	632 / 641	69692	-	65000U	
FA109 After 1978	632 / 641	69692	-	65000U	With disc wheels
FA109 After 1978	632 / 641	69696	-	65078U	With cast wheels
FA118 Before 1980	H715311 / H715345	69692	-	65000U	
FA118 After 1978	H715311 / H715345	69692	-	65000U	With disc wheels
FA118 After 1978	H715311 / H715345	69696	-	65078U	With cast wheels
FA119	H715311 / H715345	69692	-	65000U	
FA127 Before 1979	H715311 / H715345	69692	-	65000U	
FA127 Cast wheel	H715311 / H715345	69696	-	65078U	
FA127 Disc wheel	H715311 / H715345	69692	-	65000U	
FA139 Before 1977	H715311 / H715345	69692	-	65000U	See note 12
FA139 Disc wheel	H715311 / H715345	69692	-	65000U	See note 12
FA139 Cast wheel	H715311 / H715345	69696	-	65078U	
FA215	HM212011 / HM212047	69699	-	65263U	
FA218	HM212011 / HM212047	69699	-	65263U	
FA309	HM212011 / HM212049	69692	-	65000U	
FA329	HM212011 / HM212049	69692	-	65000U	
FA337	H715311 / H715345	69696	-	65078U	
FA339	H715311 / H715345	69696	-	65078U	
FA340	H715311 / H715345	69696	-	65078U	
FA341	HM212011 / HM212049	69692	-	65000U	
FA71 After 1974	JM205110 / JM208149A	69645	-	-	
FA73	JM205110 / JM208149A	69645	-	-	

ROCKWELL (See MERITOR)

SPICER

I100S	HM212011 / HM212049	69699	-	65263U	
I120S	HM212011 / HM212049	69699	-	65263U	
I120S	6420 / 6461A	69697	-	65092U	
I140S	HM212011 / HM212049	69699	-	65263U	
I160S	6420 / 6461A	69697	-	65092U	
I180S	6420 / 6461A	69697	-	65092U	
I60S	JM205110 / JM205149A	69645	-	-	
I80S	JM205110 / JM205149A	69645	-	-	

NOTE:

12. "S" Series and after 1978.

TRUCK FRONT AXLE APPLICATIONS

2

MANUFACTURER AXLE MODEL OR CODE	INNER BEARING NUMBERS	STANDARD SERVICE	SEVERE SERVICE	UNITIZED	COMMENTS
------------------------------------	--------------------------	---------------------	-------------------	----------	----------

VOLVO

B58 Bus	6320 / 6386	-	-	-	
B59 Bus	6320 / 6386	-	-	-	
F10	6320 / 6386	-	-	-	
F12	6320 / 6386	-	-	-	
F7	6320 / 6386	-	-	-	
F86	6320 / 6386	-	-	-	
F88	6320 / 6386	-	-	-	
F89	6320 / 6386	-	-	-	
FT6	6320 / 6386	-	-	-	
N10	6320 / 6386	-	-	-	
N12	6320 / 6386	-	-	-	
N7	6320 / 6386	-	-	-	
VF16	6320 / 6386	-	-	-	

WESTPORT

F3W1200	HM212011 / HM212049	69699	-	65263U	
F3W1400	HM212011 / HM212049	69699	-	65263U	
F6W1200	HM212011 / HM212049	69699	-	65263U	
F6W1400	HM212011 / HM212049	69699	-	65263U	

FREIGHTLINER

12D	6320 / 6386 or 6320 / 6389	69620	-	-	
16D	532A / 539	-	-	-	
23D	532A / 539	-	-	-	
24D	553X / 559	69625	-	-	
24D	552 / 559	69625	-	-	
24D	HM212011 / HM212046	69625	-	-	
30D	532A / 539	-	-	-	
39D	532A / 539	-	-	-	
40D	553X / 559	69625	-	-	
40D	552 / 559	69625	-	-	
40D	HM212011 / HM212046	69625	-	-	
58D	532A / 539	-	-	-	
59D	553X / 559	69625	-	-	
59D	552 / 559	69625	-	-	
59D	HM212011 / HM212046	69625	-	-	
60D	553X / 559	69625	-	-	
60D	552 / 559	69625	-	-	
60D	HM212011 / HM212046	69625	-	-	
74D	532A / 539	-	-	-	
79D	6320 / 6386 or 6320 / 6389	69620	-	-	
81D	HM212011 / HM212044	69699	-	65263U	
81D	553X / 559	69699	-	65263U	
82D	39520 / 39581	69699	-	65263U	
86D	3720 / 3778	-	-	-	
90D	6420 / 6461A	69697	-	65092U	
106D	553X / 559	69625	-	-	
106D	552 / 559	69625	-	-	
106D	HM212011 / HM212046	69625	-	-	
107D	553X / 559	69625	-	-	
107D	552 / 559	69625	-	-	
107D	HM212011 / HM212046	69625	-	-	

TRUCK FRONT AXLE APPLICATIONS

MANUFACTURER AXLE MODEL OR CODE	INNER BEARING NUMBERS	STANDARD SERVICE	SEVERE SERVICE	UNITIZED	COMMENTS
------------------------------------	--------------------------	---------------------	-------------------	----------	----------

FREIGHTLINER (Continued)

108D	HM212011 / HM212049	69622	-	-	
109D	HM212011 / HM212049	69622	-	-	
110D	HM212011 / HM212049	69622	-	-	
111D	HM212011 / HM212049	69622	-	-	
114D	532 / 539	-	-	-	
115D	532 / 539	-	-	-	
116D	5595 / 5535	69623	-	-	See note 14
116D	HM212011 / HM212049	69622	-	-	See note 15
116DL	HM212011 / HM212049	69622	-	-	
116DX	HM212011 / HM212049	69622	-	-	
119D	553X / 559	69625	-	-	
119D	552 / 559	69625	-	-	
119D	HM212011 / HM212046	69625	-	-	
121D	HM212011 / HM212049	69622	-	-	
122D	553X / 559	69625	-	-	
122D	552 / 559	69625	-	-	
122D	HM212011 / HM212046	69625	-	-	
123D	532A / 539	-	-	-	
124D	553X / 559	69625	-	-	
124D	552 / 559	69625	-	-	
124D	HM212011 / HM212046	69625	-	-	
125D	HM212011 / HM212049	69622	-	-	
126D	HM212011 / HM212049	69622	-	-	
127D	HM212011 / HM212049	69622	-	-	
160	532A / 539	-	-	-	
230	532A / 539	-	-	-	
740	532A / 539	-	-	-	
F38	532A / 539	-	-	-	
F380	532A / 539	-	-	-	
F3101	553X / 559	69625	-	-	
F3101	552 / 559	69625	-	-	
F3101	HM212011 / HM212046	69625	-	-	
F3120	HM212011 / HM212049	69622	-	-	
F3140	HM212011 / HM212049	69622	-	-	
F3W80	532A / 539	-	-	-	
F3W100	553X / 559	69625	-	-	
F3W100	552 / 559	69625	-	-	
F3W100	HM212011 / HM212046	69625	-	-	
F3W108	553X / 557A	69623	-	-	
F3W108	HM212011 / HM212044	69623	-	-	
F3W120	HM212011 / HM212049	69622	-	-	
F3W125	HM212011 / HM212049	69699	-	65263U	
F3W125	HM212011 / HM212049X	69699	-	65263U	See note 16
F3W125	HM212011 / HM212049X	69699	-	65263U	See note 16
F3W140	HM212011 / HM212049	69622	-	-	
F3W141	HM212011 / HM212049	69699	-	65263U	
F3W141	HM212011 / HM212049X	69699	-	65263U	See note 16
F3W141	HM212011 / HM212049X	69699	-	65263U	See note 16
F3W1200	HM212011 / HM212049	69699	-	65263U	

NOTES:

14. Prior to 1959 and unit number 480193.
15. After unit number 480193 only.
16. HM212049 should never be used in place of HM212049X.

TRUCK FRONT AXLE APPLICATIONS

MANUFACTURER AXLE MODEL OR CODE	INNER BEARING NUMBERS	STANDARD SERVICE	SEVERE SERVICE	UNITIZED	COMMENTS
------------------------------------	--------------------------	---------------------	-------------------	----------	----------

FREIGHTLINER (Continued)

F3W1200	HM212011 / HM212049X	69699	-	65263U	See note 16
F3W1200	HM212011 / HM212049X	69699	-	65263U	See note 16
F3W1400	HM212011 / HM212049	69699	-	65263U	
F3W1400	HM212011 / HM212049X	69699	-	65263U	See note 16
F3W1400	HM212011 / HM212049X	69699	-	65263U	See note 16
F575	532A / 539	-	-	-	
F580	532A / 539	-	-	-	
F5100	553X / 559	69625	-	-	
F5100	552 / 559	69625	-	-	
F5100	HM212011 / HM212046	69625	-	-	
F5-120	HM212011 / HM212049	69622	-	-	
F5140	HM212011 / HM212049	69622	-	-	
F5W80	532A / 539	-	-	-	
F5W100	553X / 559	69625	-	-	
F5W100	552 / 559	69625	-	-	
F5W100	HM212011 / HM212046	69625	-	-	
F5W120	HM212011 / HM212049	69622	-	-	
F5W140	HM212011 / HM212049	69622	-	-	
F6W100	HM212011 / HM212046	69625	-	-	
F6W108	553X / 557A	69699	-	65263U	
F6W108	HM212011 / HM212044	69699	-	65263U	
F6W120	HM212011 / HM212049	69622	-	-	
F6W125	HM212011 / HM212049	69699	-	65263U	
F6W140	HM212011 / HM212049	69622	-	-	
F6W141	HM212011 / HM212049	69699	-	65263U	
F6W1200	HM212011 / HM212049	69699	-	65263U	
F6W1200	HM212011 / HM212049X	69699	-	65263U	See note 16
F6W1200	HM212011 / HM212049X	69699	-	65263U	See note 16
F6W1400	HM212011 / HM212049	69699	-	65263U	
F6W1400	HM212011 / HM212049X	69699	-	65263U	See note 16
F6W1400	HM212011 / HM212049X	69699	-	65263U	See note 16
FF931 After Aug 1981	HM212011 / HM212047	69699	-	65263U	
FF933 After Aug 1981	HM212011 / HM212047	69699	-	65263U	
FG933 After Aug 1981	HM212011 / HM212047	69699	-	65263U	
FL931 After Aug 1981	6420 / 6461A	69697	-	-	
FL933 After Aug 1981	6420 / 6461A	69697	-	-	
8000 Lb.	532A / 539	-	-	-	
10000 Lb.	HM212011 / HM212046	69625	-	-	
12000 Lb.	HM212011 / HM212049	69622	-	-	
14000 Lb.	HM212011 / HM212049	69622	-	-	

NOTE:

16. HM212049 should never be used in place of HM212049X

2

TRUCK DRIVE AXLE APPLICATIONS

MANUFACTURER AXLE MODEL OR CODE	INNER BEARING NUMBERS	STANDARD SERVICE	SEVERE SERVICE	UNITIZED	COMMENTS
------------------------------------	--------------------------	---------------------	-------------------	----------	----------

BROCKWAY

18 Series	592A / 598A	69799	70799	65156U	See note 23
18 Series	592A / 598	69797	-	65184U	
19 Series	672 / 683	69789	70789	65283U	
19 Series	672 / 683XA	69789	70789	65283U	
19 Series	592A / 594	69791	70791	65172U	
26 Series	672 / 683	69789	70789	65283U	
26 Series	672 / 683XA	69789	70789	65283U	
27 Series	592A / 594	69791	70791	65172U	
35 Series	752 / 760	69782	-	-	
34D	47620 / 47686	69794	70794	65152U	See note 1
35 Series	752 / 760	-	-	-	
38D	592A / 598A	69799	70799	65156U	See note 23
38D	592A / 598	69797	-	65184U	
44D	672 / 683	69789	70789	65283U	
44D	672 / 683XA	69789	70789	65283U	
44D	592A / 594	69791	70791	65172U	
50D	752 / 760	-	-	-	
50D	592A / 594	69791	70791	65172U	
D340 Series	47620 / 47686	69794	70794	65152U	See note 1
D380 Series	592A-598A	69799	70799	65156U	See note 23
D380 Series	592A / 598	69797	-	65184U	
D400 Series	672 / 683	69789	70789	65283U	
D400 Series	672 / 683XA	69789	70789	65283U	
D400 Series	592A / 594	69791	70791	65172U	
R173	672 / 681A	69789	70789	65283U	
U240	772 / 782	-	-	-	
U340	772 / 782	-	-	-	
SLHD	47620 / 47686	69794	70794	65152U	See note 1
SLHD	572 / 582	69795	-	-	
SQHD	592A-598A	69799	70799	65156U	See note 23
SQHP	672 / 683	69789	70789	65283U	
SQHP	592A-598A	69799	70799	65156U	See note 23
SRDD	672 / 683	69789	70789	65283U	
SRDD	592A-598A	69799	70799	65156U	See note 23
SSHD	672 / 683	69789	70789	65283U	
SSHD	592A-598A	69799	70799	65156U	See note 23
STDDA	672 / 683	69789	70789	65283U	
STDDA	592A-598A	69799	70799	65156U	See note 23
SUDD	752 / 760	69782	-	-	See note 2
SUDD	752 / 760	69783	-	-	See note 3
SFDD4640	752 / 760	69782	-	-	See note 2
SFDD4640	752 / 760	69783	-	-	See note 3

CLARK

R1250	42620 / 42688	69705	-	65275U	
-------	---------------	-------	---	--------	--

NOTES:

1. Use 65024U for GM application. Remove OEM seal spacer.
2. With 4-7/8" diameter spindle.
3. With 4-9/16" diameter spindle.
23. Use 69799/65156U when there is ABS interference.

TRUCK DRIVE AXLE APPLICATIONS

MANUFACTURER AXLE MODEL OR CODE	INNER BEARING NUMBERS	STANDARD SERVICE	SEVERE SERVICE	UNITIZED	COMMENTS
------------------------------------	--------------------------	---------------------	-------------------	----------	----------

DODGE

1350A5	33462 / 33287	69785	-	65111U	
13802	33462 / 33287	69785	-	65111U	
13803	33462 / 33287	69785	-	65111U	
18100	592A / 598A	69797	-	65184U	
18101	592A / 598A	69797	-	65184U	
18121	592A / 598	69797	-	65184U	
18121	592A / 598A	69799	70799	65156U	See note 23
18220	592A / 598	69797	-	65184U	
18220	592A / 598A	69799	70799	65156U	See note 23
18300	592A / 598	69797	-	65184U	
18300	592A / 598A	69799	70799	65156U	See note 23
18301	592A / 598	69797	-	65184U	
1910	592A / 594	69799	70799	65156U	See note 23
1911	592A / 594	69799	70799	65156U	See note 23
19120	592A / 594	69799	70799	65156U	See note 23
19121	592A / 594	69799	70799	65156U	See note 23
1918	592A / 594	69799	70799	65156U	See note 23
1919	592A-594	69799	70799	65156U	See note 4
15 Series	33462 / 33287	69785	-	65111U	
16 Series	42620 / 42688	69705	-	65275U	
17 Series	42620 / 42688	69794	70794	65152U	See note 1
18 Series	592A / 598	69799	70799	65156U	See note 23
19 Series	592A-594	69799	70799	65156U	See note 23
19220	592A-594	69799	70799	65156U	See note 23
19221	592A-594	69799	70799	65156U	See note 23
19800	592A-594	69799	70799	65156U	See note 23
19801	592A-594	69799	70799	65156U	See note 23
30D	42620 / 42688	69705	-	65275U	
34D	47620 / 47686	69794	70794	65152U	See note 1
8800	592A / 598A	69799	70799	65156U	See note 23
8800	592A / 598	69797	-	65184U	
8802	592A / 598A	69799	70799	65156U	See note 23
8802	592A / 598	69797	-	65184U	
8803	592A / 598A	69799	70799	65156U	See note 23
8803	592A / 598	69797	-	65184U	
8812	592A / 598A	69799	70799	65156U	See note 23
8812	592A / 598	69797	-	65184U	
9503	592A / 598A	69799	70799	65156U	See note 23
9503	592A / 598	69797	-	65184U	
9512	592A / 598A	69799	70799	65156U	See note 23
9512	592A / 598	69797	-	65184U	
F140D	33462 / 33287	69785	-	65111U	
F147	33462 / 33287	69785	-	65111U	
Q200	592A / 598A	69799	70799	65156U	See note 23
Q300	592A / 598A	69799	70799	65156U	See note 23
QT300	592A / 598A	69799	70799	65156U	See note 23
QT340	592A / 598A	69799	70799	65156U	See note 23
R / S H Series	42620 / 42688	69705	-	65275U	

NOTE:

1. Use 65024U for GM application. Remove OEM seal spacer.
4. Eaton 1919 axle with Meritor hub kit. 69799 / 70799 and 65156U are designed for 4.767" diameter spindle shoulder. If spindle measures 4.50" diameter, install shoulder bushing 67008 on axle before installing wear sleeve packaged with kit or before installing 65156U Unitized seal.
23. Use 69799 / 65156U when there is ABS interference.

TRUCK DRIVE AXLE APPLICATIONS

MANUFACTURER AXLE MODEL OR CODE	INNER BEARING NUMBERS	STANDARD SERVICE	SEVERE SERVICE	UNITIZED	COMMENTS
------------------------------------	--------------------------	---------------------	-------------------	----------	----------

DODGE (Continued)

R/S L Series	47620 / 47686	69794	70794	65152U	See note 1
R/S R&Q Series	592A / 598A	69799	70799	65156U	See note 23
SDHD	33462 / 33287	69785	-	65111U	
SHHD	42620 / 42688	69705	-	65275U	
SLHD	47620 / 47686	69794	70794	65152U	See note 1
SQHD	592A / 598A	69799	70799	65156U	See note 23
SSHD	592A / 598A	69799	70799	65156U	See note 23

EAGLE - TRANSIT BUS

Rear Axle	592A / 598A	69799	70799	65156U	See note 23
-----------	-------------	-------	-------	--------	-------------

EATON

1300 Series Before 1962	33462 / 33281	69785	-	65111U	
1300 Series After 1961	33462 / 33287	69785	-	65111U	
1614	42620 / 42688	69705	-	65275U	
1615	42620 / 42688	69705	-	65275U	
1618	42620 / 42688	69705	-	65275U	
1619	42620 / 42688	69705	-	65275U	
1715	47620 / 47686	69794	70794	65152U	See note 1
1716	47620 / 47686	69794	70794	65152U	See note 1
1790	47620 / 47686	69794	70794	65152U	See note 1
1790A	47620 / 47686	69794	70794	65152U	See note 1
1791	47620 / 47686	69794	70794	65152U	See note 1
1791A	47620 / 47686	69794	70794	65152U	See note 1
1792	47620 / 47686	69794	70794	65152U	See note 1
1793	47620 / 47686	69794	70794	65152U	See note 1
1795	47620 / 47686	69794	70794	65152U	See note 1
1795	3920 / 3984	69730	-	-	
1796	47620 / 47686	69794	70794	65152U	See note 1
1862	592A / 598	69797	-	65184U	See note 6
1863	592A / 598	69797	-	65184U	See note 6
1880	592A / 598	69797	-	65184U	See note 6
1881	592A / 598	69797	-	65184U	See note 6
1890	592A / 598	69797	-	65184U	See note 6
1891	592A / 598	69797	-	65184U	See note 6
1892	592A / 598	69797	-	65184U	See note 6
1893	592A / 598	69797	-	65184U	See note 6
1895	592A / 598	69797	-	65184U	See note 6
1896	592A / 598	69797	-	65184U	See note 6
1910	592A / 594	69791	70791	65172U	
1911	592A / 594	69791	70791	65172U	
1918	592A / 594	69791	70791	65172U	
1919	592A / 594	69791	70791	65172U	
2613	47620 / 47686	69794	70794	65152U	See note 1
2614	47620 / 47686	69794	70794	65152U	See note 1
2615	47620 / 47686	69794	70794	65152U	See note 1

NOTES:

1. Use 65024U for GM application. Remove OEM seal spacer.
6. For Eaton 19 and 44 Series spindles fitted with Meritor Q Series wheel ends use 69789, 70789, 65283U or 69799, 70799, 65156U. In some of these applications the wear sleeve is pressed onto a shoulder bushing, 67008, which need not be replaced unless damaged. Axle kits do not include the shoulder bushing. If it has to be replaced order 67008 separately.
23. Use 69799 / 65156U when there is ABS interference.

TRUCK DRIVE AXLE APPLICATIONS

MANUFACTURER AXLE MODEL OR CODE	INNER BEARING NUMBERS	STANDARD SERVICE	SEVERE SERVICE	UNITIZED	COMMENTS
------------------------------------	--------------------------	---------------------	-------------------	----------	----------

EATON (Continued)

2616	47620 / 47686	69794	70794	65152U	See note 1
2695	592A / 598	69797	-	65184U	
2696	592A / 598	69797	-	65184U	
2730	592A / 594	69791	70791	65172U	
2731	592A / 594	69791	70791	65172U	
2817	493 / 495AX	69711	-	-	
3802	33462 / 33287	69785	-	65111U	
6600	42620 / 42688	69705	-	65275U	
6601	42620 / 42688	69705	-	65275U	
6803	592A / 594A	69794	70794	65152U	See note 1
7800	47620 / 47686	69794	70794	65152U	See note 1
7801	47620 / 47686	69794	70794	65152U	See note 1
7810	47620 / 47686	69794	70794	65152U	See note 1
8800	592A / 594A	69794	70794	65152U	See note 1
8802	592A / 598	69797	-	65184U	
8803	592A / 598	69797	-	65184U	
8812	592A / 594	69791	70791	65172U	
8813	592A / 594A	69799	70799	65156U	See note 23
8813	592A / 598A	69798	70798	65165U	
9502	592A / 594	69791	70791	65172U	
9503	592A / 594	69791	70791	65172U	
9503	592A / 598A	69798	70798	65165U	
9512	592A / 594	69791	70791	65172U	
9515	592A / 594A	69799	70799	65156U	See note 23
9515	592A / 598A	69798	70798	65165U	
13000 Series	3920 / 3984	69730	-	-	
13100	3920 / 3984	69730	-	-	
13101	3920 / 3984	69730	-	-	
13802 Before 1962	33462 / 33281	69785	-	65111U	
13802 After 1961	33462 / 33287	69785	-	65111U	
13600	33462 / 33281	69786	-	-	
13600	33462 / 33287	69785	-	65111U	
13602	33462 / 33287	69785	-	65111U	
13800	33462 / 33287	69785	-	65111U	
13802	47620 / 47686	69794	70794	65152U	See note 1
13803	47620 / 47686	69794	70794	65152U	See note 1
15040S	33462 / 33287	69785	-	65111U	
15040S	33462 / 33281	69785	-	65111U	
15040T	33462 / 33287	69785	-	65111U	
15101	33462 / 33287	69785	-	65111U	
15201	33462 / 33287	69785	-	65111U	
15301	33462 / 33287	69785	-	65111U	
16000 Series	493 / 495AX	69711	-	-	
16000 Series (Dodge)	42620 / 42688	69705	-	65275U	
16000 Series (Ford)	493 / 495AX	69787	-	-	
16000 Series (GMC/Chev)	493 / 495AX	69711	-	-	
16001	493 / 495AX	69711	-	-	
16050	493 / 495AX	69711	-	-	
16051	493 / 495AX	69711	-	-	
16120	493 / 495AX	69711	-	-	

NOTE:

1. Use 65024U for GM application. Remove OEM seal spacer.
23. Use 69799 / 65156U when there is ABS interference.

TRUCK DRIVE AXLE APPLICATIONS

MANUFACTURER AXLE MODEL OR CODE	INNER BEARING NUMBERS	STANDARD SERVICE	SEVERE SERVICE	UNITIZED	COMMENTS
------------------------------------	--------------------------	---------------------	-------------------	----------	----------

EATON (Continued)

16120-1	493 / 495AX	69711	-	-	
16121	493 / 495AX	69711	-	-	
16220	493 / 495AX	69711	-	-	
16220	47620 / 47686	69794	70794	65152U	See note 1
16220	47620 / 47678	69794	70794	65152U	See note 1
16220-1	493 / 495AX	69711	-	-	
16221	493 / 495AX	69711	-	-	
16221	47620 / 47686	69794	70794	65152U	See note 1
16221	47620 / 47678	69794	70794	65152U	See note 1
16224	493 / 495AX	69711	-	-	
16224	47620 / 47686	69794	70794	65152U	See note 1
16224	47620 / 47678	69794	70794	65152U	See note 1
16244	493 / 495AX	69711	-	-	
16244	47620 / 47686	69794	70794	65152U	See note 1
16244	47620 / 47678	69794	70794	65152U	See note 1
16247	592A / 594A	69799	70799	65156U	See note 23
16247	592A / 597	69797	-	65184U	
16320	493 / 495AX	69711	-	-	
16320-1	493 / 495AX	69711	-	-	
16321	493 / 495AX	69711	-	-	
16344	493 / 495AX	69711	-	-	
16500	493 / 495AX	69711	-	-	
16500	47620 / 47678	69794	70794	65152U	See note 1
16500	47620 / 47686	69794	70794	65152U	See note 1
16501	493 / 495AX	69711	-	-	
16501	47620 / 47686	69794	70794	65152U	See note 1
16600	493 / 495AX	69711	-	-	
16600	47620 / 47686	69794	70794	65152U	See note 1
16601	493 / 495AX	69711	-	-	
16601	47620 / 47686	69794	70794	65152U	See note 1
16601	47620 / 47678	69794	70794	65152U	See note 1
16800	493 / 495AX	69711	-	-	
16800	47620 / 47686	69794	70794	65152U	See note 1
16800	47620 / 47678	69794	70794	65152U	See note 1
16801	493 / 495AX	69711	-	-	
16801	47620 / 47686	69794	70794	65152U	See note 1
16801	47620 / 47678	69794	70794	65152U	See note 1
16802	493 / 495AX	69711	-	-	
16802	47620 / 47686	69794	70794	65152U	See note 1
16802	47620 / 47678	69794	70794	65152U	See note 1
16803	493 / 495AX	69711	-	-	
16803	47620 / 47686	69794	70794	65152U	See note 1
16803	47620 / 47678	69794	70794	65152U	See note 1
17100	47620 / 47686	69794	70794	65152U	See note 1
17100-1	47620 / 47686	69794	70794	65152U	See note 1
17101	47620 / 47686	69794	70794	65152U	See note 1
17120	47620 / 47686	69794	70794	65152U	See note 1
17120-1	47620 / 47686	69794	70794	65152U	See note 1
17121	47620 / 47686	69794	70794	65152U	See note 1
17200	47620 / 47686	69794	70794	65152U	See note 1

NOTE:

1. Use 65024U for GM application. Remove OEM seal spacer.
23. Use 69799 / 65156U when there is ABS interference.

TRUCK DRIVE AXLE APPLICATIONS

MANUFACTURER AXLE MODEL OR CODE	INNER BEARING NUMBERS	STANDARD SERVICE	SEVERE SERVICE	UNITIZED	COMMENTS
------------------------------------	--------------------------	---------------------	-------------------	----------	----------

EATON (Continued)

17200-1	47620 / 47686	69794	70794	65152U	See note 1
17201	47620 / 47686	69794	70794	65152U	See note 1
17207	47620 / 47686	69794	70794	65152U	See note 1
17220	47620 / 47686	69794	70794	65152U	See note 1
17220-1	47620 / 47686	69794	70794	65152U	See note 1
17221	47620 / 47686	69794	70794	65152U	See note 1
17222	47620 / 47686	69794	70794	65152U	See note 1
17227	593X / 594	-	-	-	
17300	47620 / 47686	69794	70794	65152U	See note 1
17300-1	47620 / 47686	69794	70794	65152U	See note 1
17301	47620 / 47686	69794	70794	65152U	See note 1
17302	47620 / 47686	69794	70794	65152U	See note 1
17320	47620 / 47686	69794	70794	65152U	See note 1
17320-1	47620 / 47686	69794	70794	65152U	See note 1
17321	47620 / 47686	69794	70794	65152U	See note 1
17401	47620 / 47686	69794	70794	65152U	See note 1
17421	47620 / 47686	69794	70794	65152U	See note 1
17500	47620 / 47686	69794	70794	65152U	See note 1
17501	47620 / 47686	69794	70794	65152U	See note 1
17600	47620 / 47686	69794	70794	65152U	See note 1
17601	47620 / 47686	69794	70794	65152U	See note 1
17700	47620 / 47686	69794	70794	65152U	See note 1
17701	47620 / 47686	69794	70794	65152U	See note 1
17800	47620 / 47686	69794	70794	65152U	See note 1
17801	47620 / 47686	69794	70794	65152U	See note 1
17810	47620 / 47686	69794	70794	65152U	See note 1
17811	47620 / 47686	69794	70794	65152U	See note 1
17815	47620 / 47686	69794	70794	65152U	See note 1
18000 Series Before 1977	592A / 598	69797	-	65184U	See note 5
18100	592A / 594A	69799	70799	65156U	See note 23
18100-1	592A / 594A	69799	70799	65156U	See note 23
18101	592A / 594A	69799	70799	65156U	See note 23
18120	592A / 594A	69799	70799	65156U	See note 23
18120-1	592A / 594A	69799	70799	65156U	See note 23
18121	592A / 594A	69799	70799	65156U	See note 23
18200	592A / 594A	69799	70799	65156U	See note 23
18200-1	592A / 594A	69799	70799	65156U	See note 23
18201	592A / 594A	69799	70799	65156U	See note 23
18202	592A / 594A	69799	70799	65156U	See note 23
18207	593X / 594	-	-	-	
18220	592A / 594A	69799	70799	65156U	See note 23
18220-1	592A / 594A	69799	70799	65156U	See note 23
18221	592A / 594A	69799	70799	65156U	See note 23
18222	592A / 594A	69799	70799	65156U	See note 23
18227	593X / 594	-	-	-	
18300	592A / 594A	69799	70799	65156U	See note 23
18300-1	592A / 594A	69799	70799	65156U	See note 23

NOTES:

1. Use 65024U for GM application. Remove OEM seal spacer.
5. Eaton 18 Series single and 38D tandem with Meritor hub. Kit 69799 / 70799 and Unitized seal 65156U are designed for 4.767" diameter spindle shoulder. If spindle measures 4.375" diameter, install shoulder bushing 67007 on axle before installing wear sleeve packaged with kit or before installing 65156U Unitized seal.
23. Use 69799 / 65156U when there is ABS interference.

TRUCK DRIVE AXLE APPLICATIONS

MANUFACTURER AXLE MODEL OR CODE	INNER BEARING NUMBERS	STANDARD SERVICE	SEVERE SERVICE	UNITIZED	COMMENTS
------------------------------------	--------------------------	---------------------	-------------------	----------	----------

EATON (Continued)

18301	592A / 594A	69799	70799	65156U	See note 23
18302	592A / 594A	69799	70799	65156U	See note 23
18320	592A / 594A	69799	70799	65156U	See note 23
18320-1	592A / 594A	69799	70799	65156U	See note 23
18322	592A / 594A	69799	70799	65156U	See note 23
18500	592A / 594A	69799	70799	65156U	See note 23
18501	592A / 594A	69799	70799	65156U	See note 23
18502	592A / 594A	69799	70799	65156U	See note 23
18503	592A / 594A	69799	70799	65156U	See note 23
18600	592A / 594A	69799	70799	65156U	See note 23
18601	592A / 594A	69799	70799	65156U	See note 23
18700	592A / 594A	69799	70799	65156U	See note 23
18701	592A / 594A	69799	70799	65156U	See note 23
18802	592A / 594A	69799	70799	65156U	See note 23
18803	592A / 594A	69799	70799	65156U	See note 23
19000 Series Before 1977	592A / 594	69791	70791	65172U	
19050S	47620 / 47686	69794	70794	65152U	See note 1
19050T	47620 / 47686	69794	70794	65152U	See note 1
19055S	47620 / 47686	69794	70794	65152U	See note 1
19055T	47620 / 47686	69794	70794	65152U	See note 1
19100	592A / 594	69799	70799	65156U	See note 6
19100-1	592A / 594	69799	70799	65156U	See note 6
19101	592A / 594	69799	70799	65156U	See note 6
19120	592A / 594	69799	70799	65156U	See note 6
19120-1	592A / 594	69799	70799	65156U	See note 6
19121	592A / 594	69799	70799	65156U	See note 6
19200	592A / 594	69799	70799	65156U	See note 6
19200-1	592A / 594	69799	70799	65156U	See note 6
19201	592A / 594	69799	70799	65156U	See note 6
19020	592A / 594A	69799	70799	65156U	See note 23
19220	592A / 594	69799	70799	65156U	See note 6
19220-1	592A / 594	69799	70799	65156U	See note 6
19221	592A / 594	69799	70799	65156U	See note 6
19300	592A / 594	69799	70799	65156U	See note 6
19300-1	592A / 594	69799	70799	65156U	See note 6
19301	592A / 594	69799	70799	65156U	See note 6
19320	592A / 594	69799	70799	65156U	See note 6
19320-1	592A / 594	69799	70799	65156U	See note 6
19321	592A / 594	69799	70799	65156U	See note 6
19420	592A / 594	69799	70799	65156U	See note 6
19420-1	592A / 594	69799	70799	65156U	See note 6
19421	592A / 594	69799	70799	65156U	See note 6
19426	592A / 594	69799	70799	65156U	See note 6
19500	592A / 594	69799	70799	65156U	See note 6
19501	592A / 594	69799	70799	65156U	See note 6
19502	592A / 594	69799	70799	65156U	See note 6

NOTES:

1. Use 65024U for GM application. Remove OEM seal spacer.
6. For Eaton 19 and 44 Series spindles fitted with Meritor Q Series wheel ends use 69789, 70789, 65283U or 69799, 70799, 65156U. In some of these applications the sleeve is pressed onto a shoulder bushing, 67008, which need not be replaced unless damaged. Axle kits do not include the shoulder bushing. If it has to be replaced order 67008 separately.
23. Use 69799 / 65156U when there is ABS interference.

TRUCK DRIVE AXLE APPLICATIONS

MANUFACTURER AXLE MODEL OR CODE	INNER BEARING NUMBERS	STANDARD SERVICE	SEVERE SERVICE	UNITIZED	COMMENTS
------------------------------------	--------------------------	---------------------	-------------------	----------	----------

EATON (Continued)

19503	592A / 594	69799	70799	65156U	See note 6
19512	592A / 594	69799	70799	65156U	See note 6
19513	592A / 594A	69799	70799	65156U	See note 23
19515	592A / 594	69799	70799	65156U	See note 6
19800	592A / 594	69799	70799	65156U	See note 6
19801	592A / 594	69799	70799	65156U	See note 6
19802	592A / 594	69799	70799	65156U	See note 6
19803	592A / 594	69799	70799	65156U	See note 6
20000	652 / 665	69751	-	-	
20100	652 / 665	69751	-	-	
20120	652 / 665	69751	-	-	
20200	652 / 665	69751	-	-	
20220	652 / 665	69751	-	-	
20300	652 / 665	69751	-	-	
20320	652 / 665	69751	-	-	
20801	652 / 665	69751	-	-	
21060	592A / 594	69799	70799	65156U	See note 6
21065S	592A / 594A	69799	70799	65156U	See note 23
21065T	592A / 594A	69799	70799	65156U	See note 23
21100	592A / 598A	69799	70799	65156U	See note 23
21101	592A / 598A	69799	70799	65156U	See note 23
21121	592A / 598A	69799	70799	65156U	See note 23
21127	593X / 594	-	-	-	
21200	592A / 594A	69799	70799	65156U	See note 23
21201	592A / 598A	69799	70799	65156U	See note 23
21221	592A / 594A	69799	70799	65156U	See note 23
21223	592A / 594A	69799	70799	65156U	See note 23
21227	592A / 594	-	-	-	
21421	592A / 594A	69799	70799	65156U	See note 23
22060	592A / 594	69799	70799	65156U	See note 23
22121	592A / 594A	69799	70799	65156U	See note 23
22221	592A / 594A	69799	70799	65156U	See note 23
22227	593X / 594	-	-	-	
22321	592A / 594A	69799	70799	65156U	See note 23
22421	592A / 594A	69799	70799	65156U	See note 23
22500	752 / 760	69782	-	-	See note 7
22501	752 / 760	69782	-	-	See note 7
23070P	592A / 594A	69799	70799	65156U	See note 23
23070S	592A / 594A 592A / 594	69799	70799	65156U	See note 23
23070T	592A / 594A 592A / 594	69799	70799	65156U	See note 23
23105	592A / 594A	69799	70799	65156U	See note 23
23121	592A / 594A 592A / 594	69799	70799	65156U	
23200	592A / 594A 592A / 594	69799	70799	65156U	See note 23
23221	592A / 594A 592A / 594	69799	70799	65156U	
23321	592A / 594A 592A / 594	69799	70799	65156U	See note 23

NOTES:

- For Eaton 19 and 44 Series spindles fitted with Meritor Q Series wheel ends use 69789, 70789, 65283U or 69799, 70799, 65156U . In some of these applications the wear sleeve is pressed onto a shoulder bushing, R67008, which need not be replaced unless damaged. Axle kits do not include the shoulder bushing. If it has to be replaced order 67008 separately.
- Some manufacturers are fitting Eaton 23 Series spindles with 7" diameter hub bores, with 672 / 683 or 672 / 683AX bearings. These applications require 69789 / 70789 or 65165U seal.
- Use 69799 / 65156U when there is ABS interference.

TRUCK DRIVE AXLE APPLICATIONS

MANUFACTURER AXLE MODEL OR CODE	INNER BEARING NUMBERS	STANDARD SERVICE	SEVERE SERVICE	UNITIZED	COMMENTS
------------------------------------	--------------------------	---------------------	-------------------	----------	----------

EATON (Continued)

23420	592A / 594A	69799	70799	65156U	See note 23
23421	592A / 594A	69799	70799	65156U	
26121	592A / 594A	69799	70799	65156U	See note 23
26221	592A / 594A	69799	70799	65156U	See note 23
26321	592A / 594A	69799	70799	65156U	See note 23
26421	592A / 594A	69799	70799	65156U	See note 23
26426	592A / 594A	69799	70799	65156U	See note 23
35327	752 / 760	69782	-	-	
28M	42620 / 42688	69791	70791	65172U	
28MR	42620 / 42688	69791	70791	65172U	
30 Series (Dodge)	42620 / 42688	69705	-	65275U	
30 Series (Ford)	493 / 495AX	69787	-	-	
30 Series (GMC/Chev)	493 / 495AX	69711	-	-	
30DP	493 / 495AX	69711	-	-	
30DS	493 / 495AX	69711	-	-	
30DSC	493 / 495AX	69711	-	-	
30DT	493 / 495AX	69711	-	-	
30D3	493 / 495AX	69711	-	-	
32M	47620 / 47686	69794	70794	65152U	See note 1
34C	47620 / 47686	69794	70794	65152U	See note 1
34M	47620 / 47686	69794	70794	65152U	See note 1
34DP	47620 / 47686	69794	70794	65152U	See note 1
34DPB	47620 / 47686	69794	70794	65152U	See note 1
34DPC	47620 / 47686	69794	70794	65152U	See note 1
34DPD	47620 / 47686	69794	70794	65152U	See note 1
34DPE	47620 / 47686	69794	70794	65152U	See note 1
34DPK	47620 / 47686	69794	70794	65152U	See note 1
34DPN	47620 / 47686	69794	70794	65152U	See note 1
34DS	47620 / 47686	69794	70794	65152U	See note 1
34DSB	47620 / 47686	69794	70794	65152U	See note 1
34DSC	47620 / 47686	69794	70794	65152U	See note 1
34DSD	47620 / 47686	69794	70794	65152U	See note 1
34DSE	47620 / 47686	69794	70794	65152U	See note 1
34DSK	47620 / 47686	69794	70794	65152U	See note 1
34DSN	47620 / 47686	69794	70794	65152U	See note 1
34DT	47620 / 47686	69794	70794	65152U	See note 1
34DTB	47620 / 47686	69794	70794	65152U	See note 1
34DTC	47620 / 47686	69794	70794	65152U	See note 1
34DTD	47620 / 47686	69794	70794	65152U	See note 1
34DTE	47620 / 47686	69794	70794	65152U	See note 1
34DTK	47620 / 47686	69794	70794	65152U	See note 1
34DTN	47620 / 47686	69794	70794	65152U	See note 1
34D3	47620 / 47686	69794	70794	65152U	See note 1
34D3B	47620 / 47686	69794	70794	65152U	See note 1
34D3C	47620 / 47686	69794	70794	65152U	See note 1
34D3D	47620 / 47686	69794	70794	65152U	See note 1
34D3E	47620 / 47686	69794	70794	65152U	See note 1
34RPB	47620 / 47686	69794	70794	65152U	See note 1
34RPC	47620 / 47686	69794	70794	65152U	See note 1

NOTES:

1. Use 65024U for GM application. Remove OEM seal spacer.
23. Use 69799 / 65156U when there is ABS interference.



TRUCK DRIVE AXLE APPLICATIONS

MANUFACTURER AXLE MODEL OR CODE	INNER BEARING NUMBERS	STANDARD SERVICE	SEVERE SERVICE	UNITIZED	COMMENTS
------------------------------------	--------------------------	---------------------	-------------------	----------	----------

EATON (Continued)

34RPD	47620 / 47686	69794	70794	65152U	See note 1
34RPE	47620 / 47686	69794	70794	65152U	See note 1
34RSB	47620 / 47686	69794	70794	65152U	See note 1
34RSC	47620 / 47686	69794	70794	65152U	See note 1
34RSD	47620 / 47686	69794	70794	65152U	See note 1
34RSE	47620 / 47686	69794	70794	65152U	See note 1
34RTB	47620 / 47686	69794	70794	65152U	See note 1
34RTC	47620 / 47686	69794	70794	65152U	See note 1
34RTD	47620 / 47686	69794	70794	65152U	See note 1
34RTE	47620 / 47686	69794	70794	65152U	See note 1
34R3B	47620 / 47686	69794	70794	65152U	See note 1
34R3C	47620 / 47686	69794	70794	65152U	See note 1
34R3D	47620 / 47686	69794	70794	65152U	See note 1
34R3E	47620 / 47686	69794	70794	65152U	See note 1
36M	5735 / 5760	69794	70794	65152U	See note 1
36MF	5735 / 5760	69794	70794	65152U	See note 1
36MR	5735 / 5760	69794	70794	65152U	See note 1
36R	5735 / 5760	69794	70794	65152U	See note 1
38 Series Before 1977	592A / 598	69797	-	65184U	
38DP	592A / 594A	69799	70799	65156U	See note 23
38DPB	592A / 594A	69799	70799	65156U	See note 23
38DPC	592A / 594A	69799	70799	65156U	See note 23
38DPD	592A / 594A	69799	70799	65156U	See note 23
38DPE	592A / 594A	69799	70799	65156U	See note 23
38DPK	592A / 594A	69799	70799	65156U	See note 23
38DPN	592A / 594A	69799	70799	65156U	See note 23
38DS	592A / 594A	69799	70799	65156U	See note 23
38DSB	592A / 594A	69799	70799	65156U	See note 23
38DSC	592A / 594A	69799	70799	65156U	See note 23
38DSD	592A / 594A	69799	70799	65156U	See note 23
38DSE	592A / 594A	69799	70799	65156U	See note 23
38DSK	592A / 594A	69799	70799	65156U	See note 23
38DSN	592A / 594A	69799	70799	65156U	See note 23
38DT	592A / 594A	69799	70799	65156U	See note 23
38DTB	592A / 594A	69799	70799	65156U	See note 23
38DTC	592A / 594A	69799	70799	65156U	See note 23
38DTD	592A / 594A	69799	70799	65156U	See note 23
38DTE	592A / 594A	69799	70799	65156U	See note 23
38DTK	592A / 594A	69799	70799	65156U	See note 23
38DTN	592A / 594A	69799	70799	65156U	See note 23
38D3	592A / 594A	69799	70799	65156U	See note 23
38D3B	592A / 594A	69799	70799	65156U	See note 23
38D3C	592A / 594A	69799	70799	65156U	See note 23
38D3D	592A / 594A	69799	70799	65156U	See note 23
38D3E	592A / 594A	69799	70799	65156U	See note 23
38RPB	592A / 594A	69799	70799	65156U	See note 23
38RPB	592A / 594A	69799	70799	65156U	See note 23
38RPC	592A / 594A	69799	70799	65156U	See note 23
38RPD	592A / 594A	69799	70799	65156U	See note 23
38RPE	592A / 594A	69799	70799	65156U	See note 23

NOTE:

1. Use 65024U for GM application. Remove OEM seal spacer.
23. Use 69799 / 65156U when there is ABS interference.

TRUCK DRIVE AXLE APPLICATIONS

MANUFACTURER AXLE MODEL OR CODE	INNER BEARING NUMBERS	STANDARD SERVICE	SEVERE SERVICE	UNITIZED	COMMENTS
------------------------------------	--------------------------	---------------------	-------------------	----------	----------

EATON (Continued)

38RSE	592A / 594A	69799	70799	65156U	See note 23
38RTB	592A / 594A	69799	70799	65156U	See note 23
38RTC	592A / 594A	69799	70799	65156U	See note 23
38RTD	592A / 594A	69799	70799	65156U	See note 23
38RTE	592A / 594A	69799	70799	65156U	See note 23
38R3B	592A / 594A	69799	70799	65156U	See note 23
38R3C	592A / 594A	69799	70799	65156U	See note 23
38R3D	592A / 594A	69799	70799	65156U	See note 23
38R3E	592A / 594A	69799	70799	65156U	See note 23
42 Series	593X / 594	-	-	-	
42 Series	592A / 595	69797	-	65184U	See note 9
44 Series Before 1977	592A / 594	69791	70791	65172U	
44 Series After 1976	592A / 594A	69799	70799	65156U	See note 23
50 Series	592A / 594	69791	70791	65172U	
65D	752 / 760	69782	-	-	
D340 Series	47620 / 47686	69794	70794	65152U	See note 1
D380 Series Before 1977	592A / 598	69797	-	65184U	
D380 Series After 1976	592A / 598	69799	70799	65156U	See note 23
D381 Series	592A / 594A	69799	70799	65156U	See note 23
D400 Series Before 1977	592A / 594	69797	-	65184U	
D400 Series After 1976	592A / 594A	69799	70799	65156U	See note 23
DF380 After 1976	592A / 594A	69799	70799	65156U	See note 23
DP380 After 1976	592A / 594A	69799	70799	65156U	See note 23
DP440	592A / 594	69799	70799	65156U	See note 23
DP480	592A / 594	69799	70799	65156U	See note 23
DP550	752 / 760	69782	-	-	
DP650	752 / 760	69782	-	-	
DP650P	752 / 760	69782	-	-	
DP651P	752 / 760	69782	-	-	
DS380 After 1976	592A / 594A	69799	70799	65156U	See note 23
DS400 After 1976	592A / 594A	69799	70799	65156U	See note 23
DT380 After 1976	592A / 594A	69799	70799	65156U	See note 23
DT400 After 1976	592A / 594A	69799	70799	65156U	See note 23
DT601P	47620 / 47686	69794	70794	65152U	See note 1
P174	47620 / 47686	69794	70794	65152U	See note 1
P601	47620 / 47686	69794	70794	65152U	See note 1
R340 Series	47620 / 47686	69794	70794	65152U	See note 1
R380 Series	592A / 594	69799	70799	65156U	See note 23
R400 Series	592A / 594A	69799	70799	65156U	See note 23
RP550	752 / 760	69782	-	-	
RP650	752 / 760	69782	-	-	
SP50	493 / 495AX	69794	70794	65152U	See note 1
SP550	752 / 760	-	-	-	
SP601	47620 / 47686	69794	70794	65152U	See note 1
SP650	752 / 760	69782	-	-	
TP550	752 / 760	69782	-	-	
TP601	47620 / 47686	69794	70794	65152U	See note 1
TP650	752 / 760	69782	-	-	
U191RC	592A / 594A	69791	70791	65172U	

NOTES:

1. Use 65024U for GM application. Remove OEM seal spacer.
9. On Eaton 42D Series axles replace OEM bearing spacer with 67003 if damaged.
23. Use 69799 / 65156U when there is ABS interference.



TRUCK DRIVE AXLE APPLICATIONS

MANUFACTURER AXLE MODEL OR CODE	INNER BEARING NUMBERS	STANDARD SERVICE	SEVERE SERVICE	UNITIZED	COMMENTS
------------------------------------	--------------------------	---------------------	-------------------	----------	----------

FORD

18220	592A / 598	69797	-	65184U	
18300	592A / 598	69797	-	65184U	
1891	592A / 598	69797	-	65184U	
1895	592A / 598	69797	-	65184U	
1896	592A / 598	69797	-	65184U	
1C	47620 / 47686	69794	70794	65152U	
1L	592A / 594A	69799	70799	65156U	See note 23
28MR	493 / 495AX	69787	-	-	
28MR	47620 / 47686	69794	70794	65152U	See note 1
28MR	493 / 495AX	69711	-	-	
30DPA From #F90000	493 / 495AX	69711	-	-	
30DSC	493 / 495AX	69787	-	-	
3M Through #F90000	592A / 594A	69791	70791	65172U	
BC	493 / 495AX	69711	-	-	
CC From #F90000	493 / 495AX	69711	-	-	
CD	493 / 495AX	69711	-	-	
CG	592A / 598	69797	-	65184U	
CL	493 / 495AX	69711	-	-	
DB	493 / 495AX	69711	-	-	
DC	493 / 495AX	69711	-	-	
DD	493 / 495AX	69711	-	-	
DL	493 / 495AX	69711	-	-	
DP	592A / 598	69797	-	65184U	
DS	47620 / 47686	69794	70794	65152U	See note 1
DU	47620 / 47686	69794	70794	65152U	See note 1
DV	592A / 595	69797	-	65184U	
DV	47620 / 47686	69794	70794	65152U	See note 1
DW	47620 / 47686	69794	70794	65152U	See note 1
EF	47620 / 47686	69794	70794	65152U	See note 1
EL	493 / 495AX	69787	-	-	
EN	47620 / 47686	69794	70794	65152U	See note 1
ES	47620 / 47686	69794	70794	65152U	See note 1
EU	47620 / 47686	69794	70794	65152U	See note 1
F4	3920 / 3984	69730	-	-	
F5	3920 / 3984	69730	-	-	
F6	3920 / 3984	69730	-	-	
F7	3920 / 3984	69730	-	-	
FC	3920 / 3984	69730	-	-	
FC	493 / 495AX	69711	-	-	
FF	47620 / 47686	69794	70794	65152U	See note 1
FG	47620 / 47686	69794	70794	65152U	See note 1
FL	493 / 495AX	69711	-	-	
FM	33462 / 33287	69785	-	65111U	
FN	33462 / 33287	69785	-	65111U	
FP	33462 / 33287	69785	-	65111U	
FS	47620 / 47686	69794	70794	65152U	See note 1
FU	47620 / 47686	69794	70794	65152U	See note 1
FW	47620 / 47686	69794	70794	65152U	See note 1
G4	33462 / 33287	69785	-	65111U	
G5	33462 / 33287	69785	-	65111U	
G6	33462 / 33287	69785	-	65111U	
G7	33462 / 33287	69785	-	65111U	
GC	33462 / 33287	69785	-	65111U	

NOTE:

1. Use 65024U for GM application. Remove OEM seal spacer.
23. Use 69799 / 65156U when there is ABS interference.

TRUCK DRIVE AXLE APPLICATIONS

MANUFACTURER AXLE MODEL OR CODE	INNER BEARING NUMBERS	STANDARD SERVICE	SEVERE SERVICE	UNITIZED	COMMENTS
------------------------------------	--------------------------	---------------------	-------------------	----------	----------

FORD (Continued)

GC	493 / 495AX	69711	-	-	
GF	47620 / 47686	69794	70794	65152U	See note 1
GN	47620 / 47686	69794	70794	65152U	See note 1
GU	47620 / 47686	69794	70794	65152U	See note 1
GW	47620 / 47686	69794	70794	65152U	See note 1
H4	592A / 598A	69799	70799	65156U	See note 23
H5	592A / 598A	69799	70799	65156U	See note 23
H7	592A / 598A	69799	70799	65156U	See note 23
H8	592A / 598A	69799	70799	65156U	See note 23
HC	47620 / 47686	69794	70794	65152U	See note 1
HC	493 / 495AX	69711	-	-	
HF	47620 / 47686	69794	70794	65152U	See note 1
HK	47620 / 47686	69794	70794	65152U	See note 1
HQ	47620 / 47686	69794	70794	65152U	See note 1
HU	47620 / 47686	69794	70794	65152U	See note 1
IT	47620 / 47686	69794	70794	65152U	See note 1
JB	592A / 598	69797	-	65184U	
JH	47620 / 47686	69794	70794	65152U	See note 1
JI	592A / 598	69797	-	65184U	
JK	592A / 598A	69797	-	65184U	
JQ	47620 / 47686	69794	70794	65152U	See note 1
JU	47620 / 47686	69794	70794	65152U	See note 1
KB	592A / 598	69797	-	65184U	
KH	47620 / 47686	69794	70794	65152U	See note 1
KK	592A / 598	69797	-	65184U	
KQ	47620 / 47686	69794	70794	65152U	See note 1
KU	47620 / 47686	69794	70794	65152U	See note 1
KW	47620 / 47686	69794	70794	65152U	See note 1
LB	592A / 598	69797	-	65184U	
LQ	47620 / 47686	69794	70794	65152U	See note 1
M1	592A / 598A	69797	-	65184U	
M1	592A / 594A	69791	70791	65172U	
M1	592A / 594A	69799	70799	65156U	See note 23
M2	592A / 598A	69797	-	65184U	
M2	592A / 594A	69791	70791	65172U	
M2	592A / 594A	69799	70799	65156U	See note 23
M3	592A / 598A	69797	-	65184U	
M3	592A / 594A	69791	70791	65172U	
M3	592A / 594A	69799	70799	65156U	See note 23
M4	592A / 598A	69797	-	65184U	
M4	592A / 594A	69791	70791	65172U	
M4	592A / 594A	69799	70799	65156U	See note 23
M5	592A / 598A	69797	-	65184U	
M5	592A / 594A	69791	70791	65172U	
M5	592A / 594A	69799	70799	65156U	See note 23
M6	592A / 598A	69797	-	65184U	
M6	592A / 594A	69791	70791	65172U	
M6	592A / 594A	69799	70799	65156U	See note 23
M7	592A / 598A	69797	-	65184U	
M7	592A / 594A	69791	70791	65172U	
M7	592A / 594A	69799	70799	65156U	See note 23
M8	592A / 598A	69797	-	65184U	
M8	592A / 594A	69791	70791	65172U	

NOTE:

1. Use 65024U for GM application. Remove OEM seal spacer.
23. Use 69799 / 65156U when there is ABS interference.

TRUCK DRIVE AXLE APPLICATIONS

MANUFACTURER AXLE MODEL OR CODE	INNER BEARING NUMBERS	STANDARD SERVICE	SEVERE SERVICE	UNITIZED	COMMENTS
------------------------------------	--------------------------	---------------------	-------------------	----------	----------

FORD (Continued)

M8	592A / 594A	69799	70799	65156U	See note 23
M9	592A / 598A	69797	-	65184U	
M9	592A / 594A	69791	70791	65172U	
M9	592A / 594A	69799	70799	65156U	See note 23
MA	592A / 598A	69797	-	65184U	
MA	592A / 594A	69791	70791	65172U	
MA	592A / 594A	69799	70799	65156U	See note 23
MG	592A / 598A	69797	-	65184U	
MG	592A / 594A	69791	70791	65172U	
MG	592A / 594A	69799	70799	65156U	See note 23
N1	592A / 598A	69797	-	65184U	
N1	592A / 594A	69791	70791	65172U	
N1	592A / 594A	69799	70799	65156U	See note 23
N2	592A / 598A	69797	-	65184U	
N2	592A / 594A	69791	70791	65172U	
N2	592A / 594A	69799	70799	65156U	See note 23
N3	592A / 598A	69797	-	65184U	
N3	592A / 594A	69791	70791	65172U	
N3	592A / 594A	69799	70799	65156U	See note 23
NB	592A / 598A	69797	-	65184U	
NX	592A / 598A	69797	-	65184U	
NX	592A / 594A	69791	70791	65172U	
NX	592A / 594A	69799	70799	65156U	See note 23
OX	592A / 598A	69797	-	65184U	
OX	592A / 594A	69791	70791	65172U	
OX	592A / 594A	69799	70799	65156U	See note 23
P1	47620 / 47686	69794	70794	65152U	See note 1
P2	47620 / 47686	69794	70794	65152U	See note 1
P2	592A / 598A	69797	-	65184U	
P2	592A / 594A	69791	70791	65172U	
P2	592A / 594A	69799	70799	65156U	See note 23
P3	47620 / 47686	69794	70794	65152U	See note 1
P3	592A / 598A	69797	-	65184U	
P3	592A / 594A	69791	70791	65172U	
P3	592A / 594A	69799	70799	65156U	See note 23
P4	47620 / 47686	69794	70794	65152U	See note 1
P4	592A / 598A	69797	-	65184U	
P4	592A / 594A	69791	70791	65172U	
P4	592A / 594A	69799	70799	65156U	See note 23
P9	47620 / 47686	69794	70794	65152U	See note 1
PB	592A / 598A	69797	-	65184U	
PB	592A / 594A	69791	70791	65172U	
PB	592A / 594A	69799	70799	65156U	See note 23
PK	592A / 598A	69797	-	65184U	
PK	592A / 594A	69791	70791	65172U	
PK	592A / 594A	69799	70799	65156U	See note 23
PX	592A / 598A	69797	-	65184U	
PX	592A / 594A	69791	70791	65172U	
PX	592A / 594A	69799	70799	65156U	See note 23
QP	592A / 598	69797	-	65184U	
QP	592A / 594A	69791	70791	65172U	
QP	592A / 594A	69799	70799	65156U	See note 23
QX	592A / 598A	69797	-	65184U	

NOTE:

1. Use 65024U for GM application. Remove OEM seal spacer.
23. Use 69799 / 65156U when there is ABS interference.

TRUCK DRIVE AXLE APPLICATIONS

MANUFACTURER AXLE MODEL OR CODE	INNER BEARING NUMBERS	STANDARD SERVICE	SEVERE SERVICE	UNITIZED	COMMENTS
------------------------------------	--------------------------	---------------------	-------------------	----------	----------

FORD (Continued)

QX	592A / 594A	69791	70791	65172U	
QX	592A / 594A	69799	70799	65156U	See note 23
RC	47620 / 47686	69794	70794	65152U	See note 1
RD	47620 / 47686	69794	70794	65152U	See note 1
RE	47620 / 47686	69794	70794	65152U	See note 1
RF	47620 / 47686	69794	70794	65152U	See note 1
RG	47620 / 47686	69794	70794	65152U	See note 1
RH	47620 / 47686	69794	70794	65152U	See note 1
RJ	47620 / 47686	69794	70794	65152U	See note 1
RK	592A / 598A	69797	-	65184U	
RK	592A / 594A	69791	70791	65172U	
RK	592A / 594A	69799	70799	65156U	See note 23
RP	592A / 598A	69797	-	65184U	
RP	592A / 594A	69791	70791	65172U	
RP	592A / 594A	69799	70799	65156U	See note 23
RX	592A / 598A	69797	-	65184U	
RX	592A / 594A	69791	70791	65172U	
RX	592A / 594A	69799	70799	65156U	See note 23
SA	592A / 598A	69797	-	65184U	
SA	592A / 594A	69791	70791	65172U	
SA	592A / 594A	69799	70799	65156U	See note 23
SB	592A / 598A	69797	-	65184U	
SC	47620 / 47686	69794	70794	65152U	See note 1
SK	592A / 598A	69797	-	65184U	
SK	592A / 594A	69791	70791	65172U	
SK	592A / 594A	69799	70799	65156U	See note 23
SL	592A / 598A	69797	-	65184U	
SL	592A / 594A	69791	70791	65172U	
SL	592A / 594A	69799	70799	65156U	See note 23
T3	592A / 594A	69791	70791	65172U	
T3	592A / 594A	69799	70799	65156U	See note 23
T4	592A / 594A	69791	70791	65172U	
T4	592A / 594A	69799	70799	65156U	See note 23
T5	592A / 594A	69791	70791	65172U	
T5	592A / 594A	69799	70799	65156U	See note 23
T7	33462 / 33287	69785	-	65111U	
TA	592A / 598A	69797	-	65184U	
TA	592A / 594A	69791	70791	65172U	
TB	592A / 598A	69797	-	65184U	
TB	592A / 594A	69791	70791	65172U	
TC	33462 / 33287	69785	-	65111U	
TC	592A / 594A	69791	70791	65172U	
TC	592A / 598A	69797	-	65184U	
TD	33462 / 33287	69785	-	65111U	
TD	592A / 594A	69791	70791	65172U	
TD	592A / 598A	69797	-	65184U	
TD	592A / 594A	69799	70799	65156U	See note 23
TE	33462 / 33287	69785	-	65111U	
TE	592A / 598A	69797	-	65184U	
TE	592A / 594A	69799	70799	65156U	See note 23
TF	33462 / 33287	69785	-	65111U	
TF	592A / 594A	69791	70791	65172U	
TF	592A / 598A	69797	-	65184U	

NOTE:

1. Use 65024U for GM application. Remove OEM seal spacer.
23. Use 69799 / 65156U when there is ABS interference.



TRUCK DRIVE AXLE APPLICATIONS

MANUFACTURER AXLE MODEL OR CODE	INNER BEARING NUMBERS	STANDARD SERVICE	SEVERE SERVICE	UNITIZED	COMMENTS
------------------------------------	--------------------------	---------------------	-------------------	----------	----------

FORD (Continued)

TF	592A / 594A	69799	70799	65156U	See note 23
TG	33462 / 33287	69785	-	65111U	
TG	592A / 594A	69791	70791	65172U	
TG	592A / 598A	69797	-	65184U	
TG	592A / 594A	69799	70799	65156U	See note 23
TH	592A / 594A	69791	70791	65172U	
TH	592A / 598A	69797	-	65184U	
TH	592A / 594A	69799	70799	65156U	See note 23
TJ	33462 / 33287	69785	-	65111U	
TJ	592A / 594A	69791	70791	65172U	
TJ	592A / 598A	69797	-	65184U	
TJ	592A / 594A	69799	70799	65156U	See note 23
TK	592A / 594A	69791	70791	65172U	
TK	592A / 598A	69797	-	65184U	
TK	592A / 594A	69799	70799	65156U	See note 23
TL	592A / 594A	69791	70791	65172U	
TL	592A / 598A	69797	-	65184U	
TL	592A / 594A	69799	70799	65156U	See note 23
TQ	592A / 594A	69791	70791	65172U	
TQ	592A / 598A	69797	-	65184U	
TQ	592A / 594A	69799	70799	65156U	See note 23
TR	592A / 594A	69791	70791	65172U	
TR	592A / 598A	69797	-	65184U	
TR	592A / 594A	69799	70799	65156U	See note 23
TV	592A / 594A	69791	70791	65172U	
TV	592A / 598A	69797	-	65184U	
TV	592A / 594A	69799	70799	65156U	See note 23
U7	47620 / 47686	69794	70794	65152U	See note 1
U8	47620 / 47686	69794	70794	65152U	See note 1
UL	592A / 594A	69791	70791	65172U	
UL	592A / 598A	69797	-	65184U	
UL	592A / 594A	69799	70799	65156U	See note 23
UX	592A / 594A	69791	70791	65172U	
UX	592A / 598A	69797	-	65184U	
UX	592A / 594A	69799	70799	65156U	See note 23
V1	592A / 594A	69791	70791	65172U	
V1	592A / 598A	69797	-	65184U	
V1	592A / 594A	69799	70799	65156U	See note 23
V2	592A / 594A	69791	70791	65172U	
V2	592A / 598A	69797	-	65184U	
V2	592A / 594A	69799	70799	65156U	See note 23
V3	592A / 594A	69791	70791	65172U	
V3	592A / 598A	69797	-	65184U	
V3	592A / 594A	69799	70799	65156U	See note 23
V4	592A / 594A	69791	70791	65172U	
V4	592A / 598A	69797	-	65184U	
V4	592A / 594A	69799	70799	65156U	See note 23
V5	592A / 594A	69791	70791	65172U	
V5	592A / 598A	69797	-	65184U	
V5	592A / 594A	69799	70799	65156U	See note 23
V7	592A / 594A	69791	70791	65172U	
V7	592A / 598A	69797	-	65184U	
V7	592A / 594A	69799	70799	65156U	See note 23

NOTE:

1. Use 65024U for GM application. Remove OEM seal spacer.
23. Use 69799 / 65156U when there is ABS interference.

TRUCK DRIVE AXLE APPLICATIONS

MANUFACTURER AXLE MODEL OR CODE	INNER BEARING NUMBERS	STANDARD SERVICE	SEVERE SERVICE	UNITIZED	COMMENTS
------------------------------------	--------------------------	---------------------	-------------------	----------	----------

FORD (Continued)

V8	592A / 594A	69791	70791	65172U	
V8	592A / 598A	69797	-	65184U	
V8	592A / 594A	69799	70799	65156U	See note 23
V9	592A / 594A	69791	70791	65172U	
V9	592A / 598A	69797	-	65184U	
V9	592A / 594A	69799	70799	65156U	See note 23
VA	592A / 594A	69791	70791	65172U	
VA	592A / 598A	69797	-	65184U	
VA	592A / 594A	69799	70799	65156U	See note 23
VB	592A / 594A	69791	70791	65172U	
VB	592A / 598A	69797	-	65184U	
VB	592A / 594A	69799	70799	65156U	See note 23
VC	592A / 594A	69791	70791	65172U	
VC	592A / 598A	69797	-	65184U	
VC	592A / 594A	69799	70799	65156U	See note 23
VD	592A / 594A	69791	70791	65172U	
VD	592A / 598A	69797	-	65184U	
VD	592A / 594A	69799	70799	65156U	See note 23
VE	592A / 594A	69791	70791	65172U	
VE	592A / 598A	69797	-	65184U	
VE	592A / 594A	69799	70799	65156U	See note 23
VF	592A / 594A	69791	70791	65172U	
VF	592A / 598A	69797	-	65184U	
VF	592A / 594A	69799	70799	65156U	See note 23
W1	493 / 495AX	69787	-	-	
W3	592A / 598A	69797	-	65184U	
W3	592A / 594A	69799	70799	65156U	See note 23
W3	592A / 594A	69791	70791	65172U	
W4	592A / 598A	69797	-	65184U	
W4	592A / 594A	69799	70799	65156U	See note 23
W4	592A / 594A	69791	70791	65172U	
W5	592A / 598A	69797	-	65184U	
W5	592A / 594A	69799	70799	65156U	See note 23
W5	592A / 594A	69791	70791	65172U	
W6	493 / 495AX	69787	-	-	
W7	493 / 495AX	69787	-	-	
W7	592A / 598A	69797	-	65184U	
W7	592A / 594A	69799	70799	65156U	See note 23
W7	592A / 594A	69791	70791	65172U	
W8	592A / 598A	69797	-	65184U	
W8	592A / 594A	69799	70799	65156U	See note 23
W8	592A / 594A	69791	70791	65172U	
W8	493 / 495AX	69787	-	-	
W9	592A / 598A	69797	-	65184U	
W9	592A / 594A	69799	70799	65156U	See note 23
W9	592A / 594A	69791	70791	65172U	
W9	493 / 495AX	69787	-	-	
WA	592A / 598A	69797	-	65184U	
WA	592A / 594A	69799	70799	65156U	See note 23
WA	592A / 594A	69791	70791	65172U	
WA	493 / 495AX	69787	-	-	
WB	592A / 598A	69797	-	65184U	
WB	592A / 594A	69799	70799	65156U	See note 23

NOTE:

23. Use 69799 / 65156U when there is ABS interference.

TRUCK DRIVE AXLE APPLICATIONS

MANUFACTURER AXLE MODEL OR CODE	INNER BEARING NUMBERS	STANDARD SERVICE	SEVERE SERVICE	UNITIZED	COMMENTS
------------------------------------	--------------------------	---------------------	-------------------	----------	----------

FORD (Continued)

WB	592A / 594A	69791	70791	65172U	
WB	493 / 495AX	69787	-	-	
WC	592A / 598A	69799	70799	65156U	See note 23
WC	592A / 594A	69799	70799	65156U	See note 23
WC	592A / 594A	69791	70791	65172U	
WC	493 / 495AX	69787	-	-	
WH	592A / 598A	69797	-	65184U	
WH	592A / 594A	69799	70799	65156U	See note 23
WL	47620 / 47686	69794	70794	65152U	See note 1
WM	493 / 495AX	69787	-	-	
WM	47620 / 47686	69794	70794	65152U	See note 1
WN	47620 / 47686	69794	70794	65152U	See note 1
WQ	47620 / 47686	69794	70794	65152U	See note 1
WR	47620 / 47686	69794	70794	65152U	See note 1
WS	47620 / 47686	69794	70794	65152U	See note 1
WT	47620 / 47686	69794	70794	65152U	See note 1
WU	47620 / 47686	69794	70794	65152U	See note 1
WV	47620 / 47686	69794	70794	65152U	See note 1
WW	47620 / 47686	69794	70794	65152U	See note 1
X1	592A / 594A	69799	70799	65156U	See note 23
X1	592A / 598A	69797	-	65184U	
X2	592A / 594A	69799	70799	65156U	See note 23
X2	592A / 598A	69797	-	65184U	
X3	592A / 594A	69799	70799	65156U	See note 23
X3	592A / 598A	69797	-	65184U	
X4	592A / 594A	69799	70799	65156U	See note 23
X4	592A / 598A	69797	-	65184U	
X5	592A / 594A	69799	70799	65156U	See note 23
X5	592A / 598A	69797	-	65184U	
X6	592A / 598A	69797	-	65184U	
X6	592A / 594A	69791	70791	65172U	
X6	592A / 594A	69799	70799	65156U	See note 23
X7	592A / 598A	69797	-	65184U	
X7	592A / 594A	69791	70791	65172U	
X7	592A / 594A	69799	70799	65156U	See note 23
X8	592A / 598A	69797	-	65184U	
X8	592A / 594A	69791	70791	65172U	
X8	592A / 594A	69799	70799	65156U	See note 23
X9	592A / 598A	69797	-	65184U	
X9	592A / 594A	69791	70791	65172U	
X9	592A / 594A	69799	70799	65156U	See note 23
XB	592A / 594A	69799	70799	65156U	See note 23
XB	592A / 598A	69797	-	65184U	
XF	752 / 760	69783	-	-	
XK	752 / 760	69783	-	-	
XQ	592A / 598A	69797	-	65184U	
XS	752 / 760	69783	-	-	
XT	752 / 760	69783	-	-	
Y4	592A / 594A	69799	70799	65156U	See note 23
Y4	592A / 598A	69797	-	65184U	
Y5	592A / 594A	69799	70799	65156U	See note 23
Y5	592A / 598A	69797	-	65184U	
YB	592A / 594A	69799	70799	65156U	See note 23

NOTE:

1. Use 65024U for GM application. Remove OEM seal spacer.
23. Use 69799 / 65156U when there is ABS interference.

TRUCK DRIVE AXLE APPLICATIONS

MANUFACTURER AXLE MODEL OR CODE	INNER BEARING NUMBERS	STANDARD SERVICE	SEVERE SERVICE	UNITIZED	COMMENTS
------------------------------------	--------------------------	---------------------	-------------------	----------	----------

FORD (Continued)

YB	592A / 598A	69797	-	65184U	
YM	592A / 594A	69791	70791	65172U	
YM	592A / 594A	69799	70799	65156U	See note 23
YM	592A / 598A	69797	-	65184U	
YN	47620 / 47686	69794	70794	65152U	
YN	592A / 594A	69791	70791	65172U	
YN	592A / 594A	69799	70799	65156U	See note 23
YN	592A / 598A	69797	-	65184U	
YQ	592A / 594A	69791	70791	65172U	
YQ	592A / 594A	69799	70799	65156U	See note 23
YQ	592A / 598A	69797	-	65184U	
YR	592A / 594A	69791	70791	65172U	
YR	592A / 594A	69799	70799	65156U	See note 23
YR	592A / 598A	69797	-	65184U	
YS	592A / 594A	69791	70791	65172U	
YS	592A / 594A	69799	70799	65156U	See note 23
YS	592A / 598A	69797	-	65184U	
YT	592A / 594A	69791	70791	65172U	
YT	592A / 594A	69799	70799	65156U	See note 23
YT	592A / 598A	69797	-	65184U	
YU	592A / 594A	69791	70791	65172U	
YU	592A / 594A	69799	70799	65156U	See note 23
YU	592A / 598A	69797	-	65184U	
YV	592A / 594A	69791	70791	65172U	
YV	592A / 594A	69799	70799	65156U	See note 23
YV	592A / 598A	69797	-	65184U	
YW	592A / 594A	69791	70791	65172U	
YW	592A / 594A	69799	70799	65156U	See note 23
YW	592A / 598A	69797	-	65184U	
ZY	592A / 594A	69791	70791	65172U	
ZY	592A / 594A	69799	70799	65156U	See note 23
ZY	592A / 598A	69797	-	65184U	

FORD - SCHOOL BUS

11	592A / 598	69797	-	65184U	
13	592A / 598	69797	-	65184U	
14	592A / 594	69791	70791	65172U	
15	752 / 760	69783	-	-	
16	752 / 760	69783	-	-	
17	592A / 598	69797	-	65184U	
18	592A / 598	69797	-	65184U	
19	592A / 598	69797	-	65184U	
21	592A / 598	69797	-	65184U	
23	592A / 598	69797	-	65184U	
24	592A / 594	69791	70791	65172U	
25	752 / 760	69783	-	-	
26	752 / 760	69783	-	-	
27	592A / 598	69797	-	65184U	
30	3920 / 3984	69730	-	-	
31	3920 / 3984	69730	-	-	
32	3920 / 3984	69730	-	-	
36	752 / 760	69783	-	-	
37	592A / 598	69797	-	65184U	

NOTE:

23. Use 69799 / 65156U when there is ABS interference.

TRUCK DRIVE AXLE APPLICATIONS

MANUFACTURER AXLE MODEL OR CODE	INNER BEARING NUMBERS	STANDARD SERVICE	SEVERE SERVICE	UNITIZED	COMMENTS
------------------------------------	--------------------------	---------------------	-------------------	----------	----------

FORD - SCHOOL BUS (Continued)

38	592A / 598	69797	-	65184U	
39	592A / 598	69797	-	65184U	
47	592A / 598	69797	-	65184U	
48	592A / 598	69797	-	65184U	
49	592A / 598	69797	-	65184U	
57	592A / 598	69797	-	65184U	
58	592A / 598	69797	-	65184U	
59	592A / 598	69797	-	65184U	
68	592A / 598	69797	-	65184U	
69	592A / 598	69797	-	65184U	
70	592A / 598	69797	-	65184U	
78	592A / 598	69797	-	65184U	
79	592A / 598	69797	-	65184U	
80	592A / 594	69791	70791	65172U	
86	47620 / 47686	69794	70794	65152U	See note 1
87	47620 / 47686	69794	70794	65152U	See note 1
88	47620 / 47686	69794	70794	65152U	See note 1
89	47620 / 47686	69794	70794	65152U	See note 1
90	592A / 594	69791	70791	65172U	
94	592A / 594	69791	70791	65172U	
95	592A / 594	69791	70791	65172U	
96	592A / 594	69791	70791	65172U	
97	592A / 594	69791	70791	65172U	
98	592A / 598	69797	-	65184U	
23121	592A / 594	69799	70799	65156U	See note 23
23221	592A / 594	69791	70791	65172U	
23221	592A / 598A	69799	70799	65156U	See note 23
11000 Lb..	3920 / 3984	69730	-	-	
13000 Lb.	3920 / 3984	69730	-	-	
15000 Lb.	33462 / 33287	69785	-	65111U	
17&17500 Lb. After 1968	493 / 495AX	69787	-	-	
17000 Lb. 1967-68	493 / 495AX	69711	-	-	
17500 Lb. 1967-68	493 / 495AX	69711	-	-	
18500 Lb.	47620 / 47686	69794	70794	65152U	See note 1
1A After 1968	592A / 594	69791	70791	65172U	See note 10
1A 1967-68	592A / 594A	69799	70799	65156U	See note 23
1A After 1968	493 / 495AX	69787	-	-	
1A Before 1969	493 / 495AX	69711	-	-	
1B	592A / 598	69797	-	65184U	
1B After 1968	493 / 495AX	69787	-	-	
1B Before 1969	493 / 495AX	69711	-	-	
1C After 1968	493 / 495AX	69787	-	-	
1C Before 1969	493 / 495AX	69711	-	-	
1D After 1968	493 / 495AX	69787	-	-	
1D Before 1969	493 / 495AX	69711	-	-	
1E	47620 / 47686	69794	70794	65152U	See note 1
1F	47620 / 47686	69794	70794	65152U	See note 1
1G	592A / 594	69791	70791	65172U	See note 1
1G	47620 / 47686	69794	70794	65152U	See note 1
1H	47620 / 47686	69794	70794	65152U	See note 1

NOTE:

1. Use 65024U for GM application. Remove OEM seal spacer.
10. 1981 axles and after have 592A / 594A inner cup / cone. Use 69799 kit / 70799 kit / 65156U seal.
23. Use 69799 / 65156U when there is ABS interference.

TRUCK DRIVE AXLE APPLICATIONS

MANUFACTURER AXLE MODEL OR CODE	INNER BEARING NUMBERS	STANDARD SERVICE	SEVERE SERVICE	UNITIZED	COMMENTS
------------------------------------	--------------------------	---------------------	-------------------	----------	----------

FORD - SCHOOL BUS (Continued)

1H	47620 / 47686	69794	70794	65152U	See note 1
1I	592A / 598	69797	-	65184U	
1J	592A / 598	69797	-	65184U	
1K	592A / 598	69797	-	65184U	
1L After 1968	493 / 495AX	69787	-	-	
1L Before 1969	493 / 495AX	69711	-	-	
1N	47620 / 47686	69794	70794	65152U	See note 1
1P	592A / 594	69791	70791	65172U	
1Q	47620 / 47686	69794	70794	65152U	See note 1
1R	592A / 598	69797	-	65184U	
1T	47620 / 47686	69794	70794	65152U	See note 1
1U	592A / 598	69797	-	65184U	
1V	592A / 598	69797	-	65184U	
1W	47620 / 47686	69794	70794	65152U	See note 1
1X	592A / 594	69791	70791	65172U	
1X	592A / 598A	69799	70799	65156U	See note 23
1Y	592A / 598	69797	-	65184U	
1Z	592A / 598	69797	-	65184U	
22000 Lb.	592A / 598	69797	-	65184U	
23000 Lb.	592A / 594	69791	70791	65172U	See note 10
23000 Lb.	592A / 598A	69799	70799	65156U	See note 23
2A	592A / 594	69791	70791	65172U	
2A	592A / 594A	69799	70799	65156U	See note 23
2A After 1968	493 / 495AX	69711	-	-	
2A Before 1969	493 / 495AX	69787	-	-	
2B	592A / 598	69797	-	65184U	
2B After 1968	493 / 495AX	69711	-	-	
2B Before 1969	493 / 495AX	69787	-	-	
2C After 1968	493 / 495AX	69711	-	-	
2C Before 1969	493 / 495AX	69787	-	-	
2D After 1968	493 / 495AX	69711	-	-	
2D Before 1969	493 / 495AX	69787	-	-	
2E	47620 / 47686	69794	70794	65152U	See note 1
2F	47620 / 47686	69794	70794	65152U	See note 1
2G	592A / 594	69791	70791	65172U	See note 1
2H	47620 / 47686	69794	70794	65152U	See note 1
2H	47620 / 47686	69794	70794	65152U	See note 1
2I	592A / 598	69797	-	65184U	
2J	592A / 598	69797	-	65184U	
2K	592A / 598	69797	-	65184U	
2L After 1968	493 / 495AX	69787	-	-	
2L Before 1969	493 / 495AX	69711	-	-	
2N	592A / 598	69797	-	65184U	
2P	592A / 594	69791	70791	65172U	
2Q	47620 / 47686	69794	70794	65152U	See note 1
2R	47620 / 47686	69794	70794	65152U	See note 1
2T	47620 / 47686	69794	70794	65152U	See note 1
2U	592A / 598	69797	-	65184U	
2V	592A / 598	69797	-	65184U	
2W	47620 / 47686	69794	70794	65152U	See note 1

NOTES:

- 1. Use 65024U for GM application. Remove OEM seal spacer.
- 10. 1981 axles and after have 592A / 594A inner cup / cone. Use 69799 kit / 70799 kit / 65156U seal.
- 23. Use 69799 / 65156U when there is ABS interference.



TRUCK DRIVE AXLE APPLICATIONS

MANUFACTURER AXLE MODEL OR CODE	INNER BEARING NUMBERS	STANDARD SERVICE	SEVERE SERVICE	UNITIZED	COMMENTS
------------------------------------	--------------------------	---------------------	-------------------	----------	----------

FORD - SCHOOL BUS (Continued)

2X	592A / 594	69791	70791	65172U	
2X	592A / 594A	69799	70799	65156U	See note 23
2Z	592A / 598	69797	-	65184U	
30000 Lb. After 1968	493 / 495AX	69787	-	-	
30000 Lb. Before 1969	493 / 495AX	69711	-	-	
34 R/W D140	3920 / 3984	69730	-	-	
34000 Lb.	47620 / 47686	69794	70794	65152U	See note 1
38000 Lb.	592A / 598	69797	-	65184U	
3A	592A / 594	69791	70791	65172U	
3A	592A / 594A	69799	70799	65156U	See note 23
3B	592A / 598	69797	-	65184U	
3C After 1968	493 / 495AX	69711	-	-	
3C Before 1969	493 / 495AX	69787	-	-	
3D After 1968	493 / 495AX	69711	-	-	
3D Before 1969	493 / 495AX	69787	-	-	
3E	47620 / 47686	69794	70794	65152U	See note 1
3F	47620 / 47686	69794	70794	65152U	See note 1
3G	592A / 594	69791	70791	65172U	
3G	47620 / 47686	69794	70794	65152U	See note 1
3H	47620 / 47686	69794	70794	65152U	See note 1
3H	47620 / 47686	69794	70794	65152U	See note 1
3I	592A / 598	69797	-	65184U	
3J	592A / 598	69797	-	65184U	
3K	592A / 598	69797	-	65184U	
3L After 1968	493 / 495AX	69787	-	-	
3L Before 1969	493 / 495AX	69711	-	-	
3N	47620 / 47686	69794	70794	65152U	See note 1
3P	592A / 594	69791	70791	65172U	
3Q	47620 / 47686	69794	70794	65152U	See note 1
3R	592A / 598	69797	-	65184U	
3S After 1968	493 / 495AX	69787	-	-	
3S Before 1969	493 / 495AX	69711	-	-	
3T	47620 / 47686	69794	70794	65152U	See note 1
3U	592A / 598	69797	-	65184U	
3W	47620 / 47686	69794	70794	65152U	See note 1
3X	592A / 594A	69799	70799	65156U	See note 23
3Z	592A / 598	69797	-	65184U	
41 R/W D140	3920 / 3984	69730	-	-	
42 R/W D140	3920 / 3984	69730	-	-	
43 R/W D140	3920 / 3984	69730	-	-	
44 R/W D140	3920 / 3984	69730	-	-	
44000 Lb.	592A / 598	69797	-	65184U	
45 R/W D140	3920 / 3984	69730	-	-	
47 R/W D140	3920 / 3984	69730	-	-	
4A	592A / 594	69791	70791	65172U	
4A	592A / 594A	69799	70799	65156U	See note 23
4B	592A / 598	69797	-	65184U	
4C After 1968	493 / 495AX	69711	-	-	
4C Before 1969	493 / 495AX	69787	-	-	
4D After 1968	493 / 495AX	69711	-	-	
4D Before 1969	493 / 495AX	69787	-	-	
4E	47620 / 47686	69794	70794	65152U	See note 1
4F	47620 / 47686	69794	70794	65152U	See note 1

NOTE:

1. Use 65024U for GM application. Remove OEM seal spacer.
23. Use 69799 / 65156U when there is ABS interference.

TRUCK DRIVE AXLE APPLICATIONS

MANUFACTURER AXLE MODEL OR CODE	INNER BEARING NUMBERS	STANDARD SERVICE	SEVERE SERVICE	UNITIZED	COMMENTS
------------------------------------	--------------------------	---------------------	-------------------	----------	----------

FORD - SCHOOL BUS (Continued)

4G	592A / 594	69791	70791	65172U	
4G	47620 / 47686	69794	70794	65152U	See note 1
4H	47620 / 47686	69794	70794	65152U	See note 1
4H	47620 / 47686	69794	70794	65152U	See note 1
4I	592A / 598	69797	-	65184U	
4K	592A / 598	69797	-	65184U	
4L After 1968	493 / 495AX	69787	-	-	
4L Before 1969	493 / 495AX	69711	-	-	
4N	47620 / 47686	69794	70794	65152U	See note 1
4P	592A / 594	69791	70791	65172U	
4Q	47620 / 47686	69794	70794	65152U	See note 1
4R	592A / 598	69797	-	65184U	
4S	493 / 495AX	69787	-	-	
4S After 1968	493 / 495AX	69711	-	-	
4T	47620 / 47686	69794	70794	65152U	See note 1
4U	592A / 598	69797	-	65184U	
4W	47620 / 47686	69794	70794	65152U	See note 1
4Y	592A / 594A	69799	70799	65156U	See note 23
4Z	592A / 598	69797	-	65184U	
52 R/W D140 After 1968	493 / 495AX	69787	-	-	
52 R/W D140 Before 1969	33462 / 33287	69785	-	65111U	
53 After 1968	493 / 495AX	69785	-	65111U	
53 R/W D172 Before 1969	493 / 495AX	69787	-	-	
54 R/W D140 Before 1970	33462 / 33287	69785	-	65111U	
54 R/W H172 Before 1969	493 / 495AX	69787	-	-	
55 R/W H172 After 1968	493 / 495AX	69711	-	-	
55 R/W H172 Before 1969	493 / 495AX	69787	-	-	
5A After 1980	592A / 594A	69799	70799	65156U	See note 23
5B	592A / 598	69797	-	65184U	
5C After 1968	493 / 495AX	69711	-	-	
5C Before 1969	493 / 495AX	69787	-	-	
5D After 1968	493 / 495AX	69711	-	-	
5D Before 1969	493 / 495AX	69787	-	-	
5E	47620 / 47686	69794	70794	65152U	See note 1
5F	47620 / 47686	69794	70794	65152U	See note 1
5G	592A / 594	69791	70791	65172U	
5G	47620 / 47686	69794	70794	65152U	See note 1
5H	47620 / 47686	69794	70794	65152U	See note 1
5H	47620 / 47686	69794	70794	65152U	See note 1
5I	592A / 598	69797	-	65184U	
5K	592A / 598	69797	-	65184U	
5L After 1968	493 / 495AX	69787	-	-	
5L Before 1969	493 / 495AX	69711	-	-	
5N	47620 / 47686	69794	70794	65152U	See note 1
5P	592A / 594	69791	70791	65172U	
5Q	47620 / 47686	69794	70794	65152U	See note 1
5R	592A / 598	69797	-	65184U	
5S After 1968	493 / 495AX	69787	-	-	
5S Before 1969	493 / 495AX	69711	-	-	
5T	47620 / 47686	69794	70794	65152U	See note 1
5U	592A / 598	69797	-	65184U	
5W	47620 / 47686	69794	70794	65152U	See note 1
5Y	592A / 594A	69799	70799	65156U	See note 23

NOTE:

1. Use 65024U for GM application. Remove OEM seal spacer.
23. Use 69799 / 65156U when there is ABS interference.

TRUCK DRIVE AXLE APPLICATIONS

MANUFACTURER AXLE MODEL OR CODE	INNER BEARING NUMBERS	STANDARD SERVICE	SEVERE SERVICE	UNITIZED	COMMENTS
------------------------------------	--------------------------	---------------------	-------------------	----------	----------

FORD - SCHOOL BUS (Continued)

5Z	592A / 598	69797	-	65184U	
61 R/W H172 After 1969	33462 / 33287	69785	-	65111U	
62 R/W H172 Before 1969	33462 / 33287	69785	-	65111U	
64R/W F106	33462 / 33287	69785	-	65111U	
65 R/W F106	33462 / 33287	69785	-	65111U	
65 R/W F106	33462 / 33287	69785	-	65111U	
66 R/W F106	33462 / 33287	69785	-	65111U	
67 R/W F106	33462 / 33287	69785	-	65111U	
68 R/W F106	33462 / 33287	69785	-	65111U	
6A After 1980	592A / 594A	69799	70799	65156U	See note 23
6B	592A / 598	69797	-	65184U	
6C After 1968	493 / 495AX	69711	-	-	
6C Before 1969	493 / 495AX	69787	-	-	
6D After 1968	493 / 495AX	69711	-	-	
6D Before 1969	493 / 495AX	69787	-	-	
6F	47620 / 47686	69794	70794	65152U	See note 1
6G	592A / 594	69791	70791	65172U	
6H	47620 / 47686	69794	70794	65152U	See note 1
6I	592A / 598	69797	-	65184U	
6K	592A / 598	69797	-	65184U	
6L After 1968	493 / 495AX	69787	-	-	
6L Before 1969	493 / 495AX	69711	-	-	
6N	47620 / 47686	69794	70794	65152U	See note 1
6P	592A / 594	69791	70791	65172U	
6Q	47620 / 47686	69794	70794	65152U	See note 1
6R	592A / 598	69797	-	65184U	
6S After 1968	493 / 495AX	69787	-	-	
6S Before 1969	493 / 495AX	69711	-	-	
6T	47620 / 47686	69794	70794	65152U	See note 1
6U	592A / 598	69797	-	65184U	
6W	47620 / 47686	69794	70794	65152U	See note 1
6Y	592A / 594A	69799	70799	65156U	See note 23
6Z	592A / 598	69797	-	65184U	
71 After 1968	493 / 495AX	69787	-	-	
71 Before 1969	493 / 495AX	69711	-	-	
72 After 1968	493 / 495AX	69787	-	-	
72 Before 1969	493 / 495AX	69711	-	-	
73 After 1968	493 / 495AX	69787	-	-	
73 Before 1969	493 / 495AX	69711	-	-	
74 After 1968	493 / 495AX	69787	-	-	
74 Before 1969	493 / 495AX	69711	-	-	
75 After 1968	493 / 495AX	69787	-	-	
75 Before 1969	493 / 495AX	69711	-	-	
76 After 1968	493 / 495AX	69787	-	-	
76 Before 1969	493 / 495AX	69711	-	-	
77 After 1968	493 / 495AX	69787	-	-	
77 Before 1969	493 / 495AX	69711	-	-	
78 After 1968	493 / 495AX	69787	-	-	
78 Before 1969	493 / 495AX	69711	-	-	
79 After 1968	493 / 495AX	69787	-	-	
79 Before 1969	493 / 495AX	69711	-	-	
7A After 1980	592A / 594A	69799	70799	65156U	See note 23
7B	592A / 598	69797	-	65184U	

NOTE:

- 1. Use 65024U for GM application. Remove OEM seal spacer.
- 23. Use 69799 / 65156U when there is ABS interference.

TRUCK DRIVE AXLE APPLICATIONS

MANUFACTURER AXLE MODEL OR CODE	INNER BEARING NUMBERS	STANDARD SERVICE	SEVERE SERVICE	UNITIZED	COMMENTS
------------------------------------	--------------------------	---------------------	-------------------	----------	----------

FORD - SCHOOL BUS (Continued)

7C After 1968	493 / 495AX	69711	-	-	
7C Before 1969	493 / 495AX	69787	-	-	
7F	47620 / 47686	69794	70794	65152U	See note 1
7G	592A / 594	69791	70791	65172U	
7I	592A / 598	69797	-	65184U	
7L After 1968	493 / 495AX	69787	-	-	
7L Before 1969	493 / 495AX	69711	-	-	
7N	47620 / 47686	69794	70794	65152U	See note 1
7P	592A / 594	69791	70791	65172U	
7Q	47620 / 47686	69794	70794	65152U	See note 1
7R	592A / 598	69797	-	65184U	
7S After 1968	493 / 495AX	69787	-	-	
7S Before 1969	493 / 495AX	69711	-	-	
7T	47620 / 47686	69794	70794	65152U	See note 1
7U	592A / 598	69797	-	65184U	
7W	47620 / 47686	69794	70794	65152U	See note 1
7Y	592A / 594A	69799	70799	65156U	See note 23
7Z	592A / 598	69797	-	65184U	
81 1963-64	592A / 594	69791	70791	65172U	
81 1965-66	47620 / 47686	69794	70794	65152U	See note 1
81 1967-68	493 / 495AX	69711	-	-	
81 After 1968	493 / 495AX	69787	-	-	
82 1963-64	592A / 594	69791	70791	65172U	
82 1965-66	47620 / 47686	69794	70794	65152U	See note 1
82 1967-68	493 / 495AX	69711	-	-	
82 After 1968	493 / 495AX	69787	-	-	
83 1963-64	592A / 594	69791	70791	65172U	
84 1965	47620 / 47686	69794	70794	65152U	See note 1
85 1963-64	592A / 594	69791	70791	65172U	
8A After 1980	592A / 594A	69799	70799	65156U	See note 23
8B	592A / 598	69797	-	65184U	
8C After 1968	493 / 495AX	69711	-	-	
8C Before 1969	493 / 495AX	69787	-	-	
8F	47620 / 47686	69794	70794	65152U	See note 1
8G	592A / 594	69791	70791	65172U	
8H	47620 / 47686	69794	70794	65152U	See note 1
8I	592A / 598	69797	-	65184U	
8P	592A / 594	69791	70791	65172U	
8Q	47620 / 47686	69794	70794	65152U	See note 1
8T	47620 / 47686	69794	70794	65152U	See note 1
8W	47620 / 47686	69794	70794	65152U	See note 1
8Y	592A / 594A	69799	70799	65156U	See note 23
91 1963-64	47620 / 47686	69794	70794	65152U	See note 1
91 After 1964	592A / 594	69791	70791	65172U	
92 1963-1964	47620 / 47686	69794	70794	65152U	See note 1
92 After 1964	592A / 594	69791	70791	65172U	
93 1963-1964	47620 / 47686	69794	70794	65152U	See note 1
93 After 1964	592A / 594	69791	70791	65172U	
9F	47620 / 47686	69794	70794	65152U	See note 1
9Q	47620 / 47686	69794	70794	65152U	See note 1
9T	47620 / 47686	69794	70794	65152U	See note 1
9W	47620 / 47686	69794	70794	65152U	See note 1
A	592A / 594	69791	70791	65172U	

NOTE:

- 1. Use 65024U for GM application. Remove OEM seal spacer.
- 23. Use 69799 / 65156U when there is ABS interference.

TRUCK DRIVE AXLE APPLICATIONS

MANUFACTURER AXLE MODEL OR CODE	INNER BEARING NUMBERS	STANDARD SERVICE	SEVERE SERVICE	UNITIZED	COMMENTS
------------------------------------	--------------------------	---------------------	-------------------	----------	----------

FORD - SCHOOL BUS (Continued)

A1	752 / 760	69783	-	-	
A2	752 / 760	69783	-	-	
A9	592A / 598	69797	-	65184U	
AB	592A / 594	69791	70791	65172U	
AD	47620 / 47686	69794	70794	65152U	See note 1
AF	47620 / 47686	69794	70794	65152U	See note 1
AG	592A / 594	69791	70791	65172U	
AG	592A / 594A	69799	70799	65156U	See note 23
AH	592A / 594	69791	70791	65172U	
AH	47620 / 47686	69794	70794	65152U	See note 1
AI	592A / 598	69797	-	65184U	
AJ	47620 / 47686	69794	70794	65152U	See note 1
AJ	592A / 598	69797	-	65184U	
AJ	592A / 594A	69791	70791	65172U	
AK	592A / 598	69797	-	65184U	
AN	47620 / 47686	69794	70794	65152U	See note 1
AP	592A / 594	69791	70791	65172U	
AP	592A / 594A	69799	70799	65156U	See note 23
AQ	47620 / 47686	69794	70794	65152U	See note 1
AQ	47620 / 47686	69794	70794	65152U	See note 1
AR	592A / 598	69797	-	65184U	
AT	47620 / 47686	69794	70794	65152U	See note 1
AV	592A / 598	69797	-	65184U	
AV	592A / 594A	69791	70791	65172U	
AW	47620 / 47686	69794	70794	65152U	See note 1
AX	592A / 594	69791	70791	65172U	
AX	592A / 594	69791	70791	65172U	
AZ	592A / 598	69797	-	65184U	
B	592A / 594	69791	70791	65172U	
B0	47620 / 47686	69794	70794	65152U	See note 1
B1	47620 / 47686	69794	70794	65152U	See note 1
B2	47620 / 47686	69794	70794	65152U	See note 1
B3	47620 / 47686	69794	70794	65152U	See note 1
B4	47620 / 47686	69794	70794	65152U	See note 1
B5	47620 / 47686	69794	70794	65152U	See note 1
B6	47620 / 47686	69794	70794	65152U	See note 1
B7	47620 / 47686	69794	70794	65152U	See note 1
B8	47620 / 47686	69794	70794	65152U	See note 1
B9	47620 / 47686	69794	70794	65152U	See note 1
BA	47620 / 47686	69794	70794	65152U	See note 1
BB	592A / 598	69797	-	65184U	
BB Meritor	47620 / 47686	69794	70794	65152U	See note 1
BC After 1968	493 / 495AX	69787	-	-	
BC Before 1969	493 / 495AX	69711	-	-	
BD After 1968	493 / 495AX	69787	-	-	
BD Before 1969	493 / 495AX	69711	-	-	
BF	47620 / 47686	69794	70794	65152U	See note 1
BG	592A / 594	69791	70791	65172U	
BG	592A / 594A	69799	70799	65156U	See note 23
BH	47620 / 47686	69794	70794	65152U	See note 1
BH	47620 / 47686	69794	70794	65152U	See note 1
BI	592A / 598	69797	-	65184U	
BJ	592A / 598	69797	-	65184U	

NOTE:

1. Use 65024U for GM application. Remove OEM seal spacer.
23. Use 69799 / 65156U when there is ABS interference.

TRUCK DRIVE AXLE APPLICATIONS

MANUFACTURER AXLE MODEL OR CODE	INNER BEARING NUMBERS	STANDARD SERVICE	SEVERE SERVICE	UNITIZED	COMMENTS
------------------------------------	--------------------------	---------------------	-------------------	----------	----------

FORD - SCHOOL BUS (Continued)

BJ	592A / 598	69797	-	65184U	
BK	592A / 598	69797	-	65184U	
BK	592A / 594A	69799	70799	65156U	See note 23
BN	47620 / 47686	69794	70794	65152U	See note 1
BO	47620 / 47686	69794	70794	65152U	See note 1
BP	592A / 594	69791	70791	65172U	
BQ	47620 / 47686	69794	70794	65152U	See note 1
BQ	47620 / 47686	69794	70794	65152U	See note 1
BR	592A / 598	69797	-	65184U	
BT	47620 / 47686	69794	70794	65152U	See note 1
BV	592A / 598	69797	-	65184U	
BW	47620 / 47686	69794	70794	65152U	See note 1
BX	592A / 594	69791	70791	65172U	
BZ	592A / 598	69797	-	65184U	
C	592A / 594	69791	70791	65172U	
C9	592A / 598	69797	-	65184U	
CB	592A / 598	69797	-	65184U	
CC After 1968	493 / 495AX	69787	-	-	
CC Before 1969	493 / 495AX	69711	-	-	
CD After 1968	493 / 495AX	69787	-	-	
CD Before 1969	493 / 495AX	69711	-	-	
CF	47620 / 47686	69794	70794	65152U	See note 1
CG	592A / 594	69791	70791	65172U	
CG	592A / 594A	69799	70799	65156U	See note 23
CH	47620 / 47686	69794	70794	65152U	See note 1
CH	47620 / 47686	69794	70794	65152U	See note 1
CH R/W F106	47620 / 47686	69794	70794	65152U	See note 1
CI	592A / 598	69797	-	65184U	
CJ	592A / 598	69797	-	65184U	
CJ	592A / 598	69797	-	65184U	
CJ	592A / 594A	69791	70791	65172U	
CK	592A / 598	69797	-	65184U	
CN	47620 / 47686	69794	70794	65152U	See note 1
CP	592A / 594	69791	70791	65172U	
CP	592A / 594A	69799	70799	65156U	See note 23
CQ	47620 / 47686	69794	70794	65152U	See note 1
CQ	47620 / 47686	69794	70794	65152U	See note 1
CR	592A / 598	69797	-	65184U	
CV	592A / 598	69797	-	65184U	
CV	592A / 594A	69791	70791	65172U	
CW	47620 / 47686	69794	70794	65152U	See note 1
CZ	592A / 598	69797	-	65184U	
D	592A / 594	69791	70791	65172U	
D	592A / 594	69791	70791	65172U	
D1	592A / 598	69797	-	65184U	
D2	592A / 598	69797	-	65184U	
D2	592A / 594A	69791	70791	65172U	
D3	592A / 598	69797	-	65184U	
D3	592A / 594A	69791	70791	65172U	
D4	592A / 598	69797	-	65184U	
D4	592A / 594A	69791	70791	65172U	
D5	592A / 598	69797	-	65184U	
D5	592A / 594A	69791	70791	65172U	

NOTE:

1. Use 65024U for GM application. Remove OEM seal spacer.
23. Use 69799 / 65156U when there is ABS interference.



TRUCK DRIVE AXLE APPLICATIONS

MANUFACTURER AXLE MODEL OR CODE	INNER BEARING NUMBERS	STANDARD SERVICE	SEVERE SERVICE	UNITIZED	COMMENTS
------------------------------------	--------------------------	---------------------	-------------------	----------	----------

FORD - SCHOOL BUS (Continued)

D6	592A / 598	69797	-	65184U	
D6	592A / 594A	69791	70791	65172U	
D7	592A / 598	69797	-	65184U	
D7	592A / 594A	69791	70791	65172U	
D8	592A / 598	69797	-	65184U	
D8	592A / 594A	69791	70791	65172U	
D9	592A / 598	69797	-	65184U	
D9	592A / 594A	69791	70791	65172U	
DA	592A / 598	69797	-	65184U	
DA	592A / 594A	69791	70791	65172U	
DB	592A / 594A	69799	70799	65156U	See note 23
DB	592A / 598	69797	-	65184U	
DC After 1968	493 / 495AX	69787	-	-	
DC Before 1969	493 / 495AX	69711	-	-	
DD After 1968	493 / 495AX	69787	-	-	
DD Before 1969	493 / 495AX	69711	-	-	
DF	47620 / 47686	69794	70794	65152U	See note 1
DG	592A / 594A	69799	70799	65156U	See note 23
DG	592A / 594	69791	70791	65172U	
DH	47620 / 47686	69794	70794	65152U	See note 1
DH	47620 / 47686	69794	70794	65152U	See note 1
DH R/W F106	47620 / 47686	69794	70794	65152U	See note 1
DI	592A / 598	69797	-	65184U	
DJ	592A / 598	69797	-	65184U	
DJ	592A / 594A	69791	70791	65172U	
DK	592A / 598	69797	-	65184U	
DK	592A / 594	69791	70791	65172U	
DL After 1968	493 / 495AX	69787	-	-	
DL Before 1969	493 / 495AX	69711	-	-	
DN	47620 / 47686	69794	70794	65152U	See note 1
DO	592A / 598	69797	-	65184U	
DP	592A / 594	69791	70791	65172U	
DP	592A / 594	69791	70791	65172U	
DQ	47620 / 47686	69794	70794	65152U	See note 1
DQ	47620 / 47686	69794	70794	65152U	See note 1
DR	592A / 598	69797	-	65184U	
DV	592A / 598	69797	-	65184U	
DV	592A / 594A	69791	70791	65172U	
DW	47620 / 47686	69794	70794	65152U	See note 1
DZ	592A / 598	69797	-	65184U	
E	592A / 594	69791	70791	65172U	
E1 Eaton 17221	493 / 495AX	69787	-	-	
E1 R/W F106	493 / 495AX	69787	-	-	
E1 R/W F106	493 / 495AX	69711	-	-	
E1 after 1969	493 / 495AX	69787	-	-	
E1 Before 1970	493 / 495AX	69711	-	-	
E2 Eaton 16244 Before 1969	493 / 495AX	69787	-	-	
E2 Eaton 17221	493 / 495AX	69711	-	-	
E2 After 1968	493 / 495AX	69787	-	-	
E2 Before 1969	493 / 495AX	69711	-	-	
E3 Eaton 16244 After 1969	493 / 495AX	69711	-	-	
E3 Eaton 16244 Before 1969	493 / 495AX	69787	-	-	
E3 After 1968	493 / 495AX	69787	-	-	

NOTE:

1. Use 65024U for GM application. Remove OEM seal spacer.
23. Use 69799 / 65156U when there is ABS interference.

TRUCK DRIVE AXLE APPLICATIONS

MANUFACTURER AXLE MODEL OR CODE	INNER BEARING NUMBERS	STANDARD SERVICE	SEVERE SERVICE	UNITIZED	COMMENTS
------------------------------------	--------------------------	---------------------	-------------------	----------	----------

FORD - SCHOOL BUS (Continued)

E3 Before 1969	493 / 495AX	69711	-	-	
E4 Eaton 16244 After 1968	493 / 495AX	69787	-	-	
E5 Eaton 16244 Before 1969	493 / 495AX	69787	-	-	
E9	592A / 598	69797	-	65184U	
E9 Eaton 16244 After 1968	493 / 495AX	69787	-	-	
EB After 1968	592A / 594A	69799	70799	65156U	See note 23
EB Before 1969	592A / 598	69797	-	65184U	
EC After 1968	493 / 495AX	69787	-	-	
EC Before 1969	493 / 495AX	69711	-	-	
EF	47620 / 47686	69794	70794	65152U	See note 1
EG	592A / 594	69791	70791	65172U	
EG Before 1969	592A / 594	69791	70791	65172U	
EH	47620 / 47686	69794	70794	65152U	See note 1
EH	47620 / 47686	69794	70794	65152U	See note 1
EH Eaton 16244	47620 / 47686	69794	70794	65152U	See note 1
EI	592A / 598	69797	-	65184U	
EJ	592A / 598	69797	-	65184U	
EJ	592A / 594A	69791	70791	65172U	
EK	592A / 598	69797	-	65184U	
EK	592A / 594A	69799	70799	65156U	See note 23
EL After 1968	493 / 495AX	69787	-	-	
EL Before 1969	493 / 495AX	69711	-	-	
EN	47620 / 47686	69794	70794	65152U	See note 1
EO R/W F106	493 / 495AX	69787	-	-	
EP	592A / 598	69797	-	65184U	
EP	592A / 594A	69799	70799	65156U	See note 23
EQ	47620 / 47686	69794	70794	65152U	See note 1
EQ	47620 / 47686	69794	70794	65152U	See note 1
EQ Eaton 16244	47620 / 47686	69794	70794	65152U	See note 1
ER	592A / 598	69797	-	65184U	
ES Eaton 16244	47620 / 47686	69794	70794	65152U	See note 1
EW	47620 / 47686	69794	70794	65152U	See note 1
EZ	592A / 598	69797	-	65184U	
F	592A / 594	69791	70791	65172U	
F1	33462 / 33287	69794	70794	65152U	See note 1
F1 Eaton 17221	33462 / 33287	69785	-	65111U	
F2	33462 / 33287	69794	70794	65152U	See note 1
F2 Eaton 17221	33462 / 33287	69785	-	65111U	
F3	33462 / 33287	69794	70794	65152U	See note 1
F3 Eaton 17221	33462 / 33287	69785	-	65111U	
F4	33462 / 33287	69794	70794	65152U	See note 1
F4 Eaton 15201	33462 / 33287	69785	-	65111U	
F5	33462 / 33287	69794	70794	65152U	See note 1
F5 Eaton 15201	33462 / 33287	69785	-	65111U	
F6	33462 / 33287	69794	70794	65152U	See note 1
F6 Eaton 15201	33462 / 33287	69785	-	65111U	
F7	33462 / 33287	69794	70794	65152U	See note 1
F7 Eaton 15201	33462 / 33287	69785	-	65111U	
F8	33462 / 33287	69794	70794	65152U	See note 1
F8 Eaton 15201	33462 / 33287	69785	-	65111U	
F9	592A / 598	69797	-	65184U	
FB	592A / 594A	69799	70799	65156U	See note 23
FB	592A / 598	69797	-	65184U	

NOTE:

1. Use 65024U for GM application. Remove OEM seal spacer.
23. Use 69799 / 65156U when there is ABS interference.

TRUCK DRIVE AXLE APPLICATIONS

MANUFACTURER AXLE MODEL OR CODE	INNER BEARING NUMBERS	STANDARD SERVICE	SEVERE SERVICE	UNITIZED	COMMENTS
------------------------------------	--------------------------	---------------------	-------------------	----------	----------

FORD - SCHOOL BUS (Continued)

FC After 1968	493 / 495AX	69787	-	-	
FC Before 1969	493 / 495AX	69711	-	-	
FF	47620 / 47686	69794	70794	65152U	See note 1
FG	592A / 594	69791	70791	65172U	See note 1
FG	592A / 594A	69799	70799	65156U	See note 23
FH	47620 / 47686	69794	70794	65152U	See note 1
FH	47620 / 47686	69794	70794	65152U	See note 1
FH Eaton 15201	47620 / 47686	69794	70794	65152U	See note 1
FI	592A / 598	69797	-	65184U	
FJ	592A / 598	69797	-	65184U	
FK	592A / 598	69797	-	65184U	
FL After 1968	493 / 495AX	69787	-	-	
FL Before 1969	493 / 495AX	69711	-	-	
FM Eaton 15201	33462 / 33287	69785	-	65111U	
FN	47620 / 47686	69794	70794	65152U	See note 1
FP	592A / 594	69791	70791	65172U	
FP Eaton 15201	33462 / 33287	69785	-	65111U	
FQ	47620 / 47686	69794	70794	65152U	See note 1
FQ	47620 / 47686	69794	70794	65152U	See note 1
FQ Eaton 15201	47620 / 47686	69794	70794	65152U	See note 1
FR	592A / 598	69797	-	65184U	
FW	47620 / 47686	69794	70794	65152U	See note 1
FZ	592A / 598	69797	-	65184U	
G	592A / 594	69791	70791	65172U	
G2 After 1968	493 / 495AX	69787	-	-	
G2 Before 1969	493 / 495AX	69711	-	-	
G3 After 1968	493 / 495AX	69787	-	-	
G3 Before 1969	493 / 495AX	69711	-	-	
G4 Eaton 15201	33462 / 33287	69785	-	65111U	
G5 Eaton 15201	33462 / 33287	69785	-	65111U	
G6 Eaton 17121	33462 / 33287	69785	-	65111U	
G7 Eaton R/W15-210	33462 / 33287	69785	-	65111U	
G9 Eaton R/W15-210	33462 / 33287	69785	-	65111U	
GB	592A / 598	69797	-	65184U	
GB	592A / 594A	69799	70799	65156U	See note 23
GC After 1968	493 / 495AX	69787	-	-	
GC Before 1969	493 / 495AX	69711	-	-	
GF	47620 / 47686	69794	70794	65152U	See note 1
GG	592A / 594A	69791	70791	65172U	
GG	592A / 594	69791	70791	65172U	
GH	47620 / 47686	69794	70794	65152U	See note 1
GH Eaton R/W15-210	47620 / 47686	69794	70794	65152U	See note 1
GI	592A / 598	69797	-	65184U	
GJ	592A / 598	69797	-	65184U	
GJ	592A / 594A	69791	70791	65172U	
GN	47620 / 47686	69794	70794	65152U	See note 1
GP	592A / 594A	69791	70791	65172U	
GP	592A / 594	69791	70791	65172U	
GQ	47620 / 47686	69794	70794	65152U	See note 1
GQ Eaton R/W15-210	47620 / 47686	69794	70794	65152U	See note 1
GR	592A / 598	69797	-	65184U	
GW	47620 / 47686	69794	70794	65152U	See note 1
GZ	592A / 598	69797	-	65184U	

NOTE:

1. Use 65024U for GM application. Remove OEM seal spacer.
23. Use 69799 / 65156U when there is ABS interference.

TRUCK DRIVE AXLE APPLICATIONS

MANUFACTURER AXLE MODEL OR CODE	INNER BEARING NUMBERS	STANDARD SERVICE	SEVERE SERVICE	UNITIZED	COMMENTS
------------------------------------	--------------------------	---------------------	-------------------	----------	----------

FORD - SCHOOL BUS (Continued)

H1	592A / 594	69791	70791	65172U	
H2	592A / 594	69791	70791	65172U	
H3	592A / 594	69791	70791	65172U	
H4	592A / 594	69791	70791	65172U	
H5	592A / 594	69791	70791	65172U	
H6	592A / 594	69791	70791	65172U	
H7	592A / 594	69791	70791	65172U	
H8	592A / 594	69791	70791	65172U	
H9	592A / 594	69791	70791	65172U	
HB	592A / 598	69797	-	65184U	
HF	47620 / 47686	69794	70794	65152U	See note 1
HG	592A / 594A	69791	70791	65172U	
HG	592A / 594	69791	70791	65172U	
HH	47620 / 47686	69794	70794	65152U	See note 1
HH Eaton R/W15-210	47620 / 47686	69794	70794	65152U	See note 1
HI	592A / 598	69797	-	65184U	
HP	592A / 594	69791	70791	65172U	
HQ	47620 / 47686	69794	70794	65152U	See note 1
HQ Eaton 17221	47620 / 47686	69794	70794	65152U	See note 1
HR	592A / 598	69797	-	65184U	
HT	47620 / 47686	69794	70794	65152U	See note 1
HW	47620 / 47686	69794	70794	65152U	See note 1
IF	47620 / 47686	69794	70794	65152U	See note 1
IQ	47620 / 47686	69794	70794	65152U	See note 1
IQ Eaton 17221	47620 / 47686	69794	70794	65152U	See note 1
IW	47620 / 47686	69794	70794	65152U	See note 1
J1	752 / 760	69783	-	-	
J1	752 / 760	69783	-	-	
J2	752 / 760	69783	-	-	
J2	752 / 760	69783	-	-	
J3	752 / 760	69783	-	-	
J3	752 / 760	69783	-	-	
JA	592A / 594	69791	70791	65172U	
JF	47620 / 47686	69794	70794	65152U	See note 1
JJ	592A / 598	69797	-	65184U	
JQ Eaton 17121	47620 / 47686	69794	70794	65152U	See note 1
JT	47620 / 47686	69794	70794	65152U	See note 1
K1	47620 / 47686	69794	70794	65152U	See note 1
K1	47620 / 47686	69794	70794	65152U	See note 1
K2	47620 / 47686	69794	70794	65152U	See note 1
K2	47620 / 47686	69794	70794	65152U	See note 1
K3	47620 / 47686	69794	70794	65152U	See note 1
K3	47620 / 47686	69794	70794	65152U	See note 1
K4	47620 / 47686	69794	70794	65152U	See note 1
K4	47620 / 47686	69794	70794	65152U	See note 1
K5	47620 / 47686	69794	70794	65152U	See note 1
K5	47620 / 47686	69794	70794	65152U	See note 1
K6	47620 / 47686	69794	70794	65152U	See note 1
K7	47620 / 47686	69794	70794	65152U	See note 1
K8	47620 / 47686	69794	70794	65152U	See note 1
K9	47620 / 47686	69794	70794	65152U	See note 1
KA	592A / 594	69791	70791	65172U	
KA	47620 / 47686	69794	70794	65152U	See note 1

NOTE:

1. Use 65024U for GM application. Remove OEM seal spacer.

TRUCK DRIVE AXLE APPLICATIONS

MANUFACTURER AXLE MODEL OR CODE	INNER BEARING NUMBERS	STANDARD SERVICE	SEVERE SERVICE	UNITIZED	COMMENTS
------------------------------------	--------------------------	---------------------	-------------------	----------	----------

FORD - SCHOOL BUS (Continued)

KF	47620 / 47686	69794	70794	65152U	See note 1
KH Eaton 17121	47620 / 47686	69794	70794	65152U	See note 1
KJ	592A / 598	69797	-	65184U	
KO	47620 / 47686	69794	70794	65152U	See note 1
KQ Eaton 17221	47620 / 47686	69794	70794	65152U	See note 1
KW	47620 / 47686	69794	70794	65152U	See note 1
L1	592A / 598	69797	-	65184U	
L2	592A / 598	69797	-	65184U	
L3	592A / 598	69797	-	65184U	
L4	592A / 598	69797	-	65184U	
L5	592A / 598	69797	-	65184U	
LA	592A / 594	69791	70791	65172U	
LF	47620 / 47686	69794	70794	65152U	See note 1
LJ	592A / 594A	69791	70791	65172U	
LQ Eaton 17121	47620 / 47686	69794	70794	65152U	See note 1
M1	592A / 598	69797	-	65184U	
M1	592A / 598	69797	-	65184U	
M2	592A / 598	69797	-	65184U	
M2	592A / 598	69797	-	65184U	
M3	592A / 598	69797	-	65184U	
M3	592A / 598	69797	-	65184U	
M4	592A / 598	69797	-	65184U	
M4	592A / 598	69797	-	65184U	
M5	592A / 598	69797	-	65184U	
M5	592A / 598	69797	-	65184U	
M6	592A / 598	69797	-	65184U	
M6	592A / 598	69797	-	65184U	
M7	592A / 598	69797	-	65184U	
M7	592A / 598	69797	-	65184U	
M8	592A / 598	69797	-	65184U	
M8	592A / 598	69797	-	65184U	
M9	592A / 598	69797	-	65184U	
MA	592A / 598	69797	-	65184U	
MA After 1974	592A / 594	69791	70791	65172U	
MA Before 1975	592A / 598	69797	-	65184U	
MB	592A / 598	69797	-	65184U	
MC 1963-64	592A / 598	69797	-	65184U	
MC After 1964	592A / 594	69791	70791	65172U	
MD After 1964	592A / 594	69791	70791	65172U	
MD 1963-64	592A / 598	69797	-	65184U	
ME	592A / 598	69797	-	65184U	
MF	592A / 598	69797	-	65184U	
MF	47620 / 47686	69794	70794	65152U	See note 1
MO	592A / 598	69797	-	65184U	
MQ Eaton 17221	47620 / 47686	69794	70794	65152U	See note 1
N1	592A / 594	69791	70791	65172U	
N1	47620 / 47686	69794	70794	65152U	See note 1
N1 Eaton 17121	493 / 495AX	69787	-	-	
N2	592A / 594	69791	70791	65172U	
N2	47620 / 47686	69794	70794	65152U	See note 1
N3	592A / 594	69791	70791	65172U	
N3	47620 / 47686	69794	70794	65152U	See note 1
N3 Eaton 17121	493 / 495AX	69787	-	-	

NOTE:

1. Use 65024U for GM application. Remove OEM seal spacer.

TRUCK DRIVE AXLE APPLICATIONS

MANUFACTURER AXLE MODEL OR CODE	INNER BEARING NUMBERS	STANDARD SERVICE	SEVERE SERVICE	UNITIZED	COMMENTS
------------------------------------	--------------------------	---------------------	-------------------	----------	----------

FORD - SCHOOL BUS (Continued)

N4	592A / 594	69791	70791	65172U	
N4	47620 / 47686	69794	70794	65152U	See note 1
N4 Spicer G175T	493 / 495AX	69787	-	-	
N5	592A / 594	69791	70791	65172U	
N5	47620 / 47686	69794	70794	65152U	See note 1
N6	592A / 594	69791	70791	65172U	
N6	47620 / 47686	69794	70794	65152U	See note 1
N7	592A / 594	69791	70791	65172U	
N7	47620 / 47686	69794	70794	65152U	See note 1
N8	592A / 594	69791	70791	65172U	
N8	47620 / 47686	69794	70794	65152U	See note 1
N9 Spicer G175T	493 / 495AX	69787	-	-	
NA	592A / 594	69791	70791	65172U	
NB	592A / 594	69791	70791	65172U	
NC	592A / 594	69791	70791	65172U	
ND	592A / 594	69791	70791	65172U	
NE	592A / 594	69791	70791	65172U	
NF	592A / 594	69791	70791	65172U	
NG	592A / 594	69791	70791	65172U	
NH	592A / 594	69791	70791	65172U	
O1	592A / 594	69791	70791	65172U	
O2	592A / 594	69791	70791	65172U	
O3	592A / 594	69791	70791	65172U	
O4	592A / 594	69791	70791	65172U	
O5	592A / 594	69791	70791	65172U	
OA	592A / 594	69791	70791	65172U	
OB	592A / 594	69791	70791	65172U	
OC	592A / 594	69791	70791	65172U	
OD	592A / 594	69791	70791	65172U	
OE	592A / 594	69791	70791	65172U	
OF	592A / 594	69791	70791	65172U	
OF	47620 / 47686	69794	70794	65152U	See note 1
OG	592A / 594	69791	70791	65172U	
P1	592A / 594	69791	70791	65172U	
P1 Spicer G175T	47620 / 47686	69794	70794	65152U	See note 1
P2	592A / 594	69791	70791	65172U	
P2 Spicer G175T	47620 / 47686	69794	70794	65152U	See note 1
P3	592A / 594	69791	70791	65172U	
P3 Spicer G175T	47620 / 47686	69794	70794	65152U	See note 1
P4	592A / 594	69791	70791	65172U	
P4 Spicer G175T	47620 / 47686	69794	70794	65152U	See note 1
P5	592A / 594	69791	70791	65172U	
PA	592A / 594	69791	70791	65172U	
PB	592A / 594	69791	70791	65172U	
PC	592A / 594	69791	70791	65172U	
PD	592A / 594	69791	70791	65172U	
PE	592A / 594	69791	70791	65172U	
Q1	47620 / 47686	69794	70794	65152U	See note 1
Q2	47620 / 47686	69794	70794	65152U	See note 1
Q3	47620 / 47686	69794	70794	65152U	See note 1
Q4	47620 / 47686	69794	70794	65152U	See note 1
Q5	47620 / 47686	69794	70794	65152U	See note 1
Q6	47620 / 47686	69794	70794	65152U	See note 1

NOTE:

1. Use 65024U for GM application. Remove OEM seal spacer.

TRUCK DRIVE AXLE APPLICATIONS

MANUFACTURER AXLE MODEL OR CODE	INNER BEARING NUMBERS	STANDARD SERVICE	SEVERE SERVICE	UNITIZED	COMMENTS
------------------------------------	--------------------------	---------------------	-------------------	----------	----------

FORD - SCHOOL BUS (Continued)

QA	592A / 594	69791	70791	65172U	
QB	592A / 594	69791	70791	65172U	
QC	592A / 594	69791	70791	65172U	
QD	592A / 594	69791	70791	65172U	
QE	592A / 594	69791	70791	65172U	
QF	592A / 594	69791	70791	65172U	
QG	592A / 594	69791	70791	65172U	
R1	752 / 760	69783	-	-	
R2	752 / 760	69783	-	-	
R3	752 / 760	69783	-	-	
R4	752 / 760	69783	-	-	
RD Spicer M185T Ford	493 / 495AX	69711	-	-	
S1	592A / 598	69797	-	65184U	
S2	592A / 598	69797	-	65184U	
S3	592A / 598	69797	-	65184U	
S4	592A / 598	69797	-	65184U	
S5	592A / 598	69797	-	65184U	
S6	592A / 598	69797	-	65184U	
S7	592A / 598	69797	-	65184U	
T1	592A / 598	69797	-	65184U	
T2	592A / 598	69797	-	65184U	
T3	592A / 598	69797	-	65184U	
T4	592A / 598	69797	-	65184U	
T5	592A / 598	69797	-	65184U	
U2	592A / 594	69791	70791	65172U	
U3	592A / 594	69791	70791	65172U	
U4	592A / 594	69791	70791	65172U	
U5	592A / 594	69791	70791	65172U	
U6	592A / 594	69791	70791	65172U	
UB	592A / 594	69791	70791	65172U	
UC	592A / 594	69791	70791	65172U	
UD	592A / 594	69791	70791	65172U	
UE	592A / 594	69791	70791	65172U	
UF	592A / 594	69791	70791	65172U	
V1	592A / 594	69791	70791	65172U	
V1	592A / 594	69791	70791	65172U	
V2	592A / 594	69791	70791	65172U	
V2	592A / 594	69791	70791	65172U	
V3	592A / 594	69791	70791	65172U	
V4	592A / 594	69791	70791	65172U	
V5	592A / 594	69791	70791	65172U	
V6	592A / 594	69791	70791	65172U	
VC	592A / 594	69791	70791	65172U	
VD	592A / 594	69791	70791	65172U	
VE	592A / 594	69791	70791	65172U	
VF	592A / 594	69791	70791	65172U	
W1	47620 / 47686	69794	70794	65152U	See note 1
W2	47620 / 47686	69794	70794	65152U	See note 1
W3	47620 / 47686	69794	70794	65152U	See note 1
W3 After 1968	493 / 495AX	69787	-	-	
W3 Before 1969	493 / 495AX	69711	-	-	
W4	47620 / 47686	69794	70794	65152U	See note 1
W4 After 1968	493 / 495AX	69787	-	-	

NOTE:

1. Use 65024U for GM application. Remove OEM seal spacer.

TRUCK DRIVE AXLE APPLICATIONS

MANUFACTURER AXLE MODEL OR CODE	INNER BEARING NUMBERS	STANDARD SERVICE	SEVERE SERVICE	UNITIZED	COMMENTS
------------------------------------	--------------------------	---------------------	-------------------	----------	----------

FORD - SCHOOL BUS (Continued)

W4 Before 1969	493 / 495AX	69711	-	-	
W5	47620 / 47686	69794	70794	65152U	See note 1
W5 After 1968	493 / 495AX	69787	-	-	
W5 Before 1969	493 / 495AX	69711	-	-	
W6	47620 / 47686	69794	70794	65152U	See note 1
W7	47620 / 47686	69794	70794	65152U	See note 1
W8	47620 / 47686	69794	70794	65152U	See note 1
X1	592A / 594	69791	70791	65172U	
X2	592A / 594	69791	70791	65172U	
X3	592A / 594	69791	70791	65172U	
X4	592A / 594	69791	70791	65172U	
X5	592A / 594	69791	70791	65172U	
XA	592A / 594	69791	70791	65172U	
XB	592A / 594	69791	70791	65172U	
XB After 1980	592A / 594	69799	70799	65156U	See note 23
XC	592A / 594	69791	70791	65172U	
XD	592A / 594	69791	70791	65172U	
XE	592A / 594	69791	70791	65172U	
Y1	592A / 594	69791	70791	65172U	
Y2	592A / 594	69791	70791	65172U	
Y3	592A / 594	69791	70791	65172U	
Y4	592A / 594	69791	70791	65172U	
Y5	592A / 594	69791	70791	65172U	
YA	592A / 594	69791	70791	65172U	
YB	592A / 594	69791	70791	65172U	
YC	592A / 594	69791	70791	65172U	
YD	592A / 594	69791	70791	65172U	
YE	592A / 594	69791	70791	65172U	
Z1	752 / 760	69783	-	-	
Z1	592A / 598	69797	-	65184U	
Z2	752 / 760	69783	-	-	
Z2	592A / 598	69797	-	65184U	
P9 Spicer G175T	47620 / 47686	69794	70794	65152U	See note 1
Z3	752 / 760	69783	-	-	

FREIGHTLINER

38D	592A / 598	69799	70799	65156U	See note 11, 23
44D	592A / 598	69799	70799	65156U	See note 23
18D	592A / 598	69799	70799	65156U	See note 11, 23
19 Series	592A / 598	69799	70799	65156U	See note 12, 23
38000#	592A / 598	69799	70799	65156U	See note 23
40000#	592A / 598	69799	70799	65156U	See note 23

FWD

3CS	592A / 595	69753	-	-	
5434	592A / 595	69799	70799	65156U	See note 23

NOTES:

1. Use 65024U for GM application. Remove OEM seal spacer.
11. On 1968 models and after, some axles may be fitted with a shoulder bushing, 67007. This bushing is not included in 69799 or 70799 kit or with 65156U seal. This bushing does not have to be replaced if it is not damaged.
12. On 1968 models and after, some axles may be fitted with a shoulder bushing, 67008. This bushing is not included in 69799 or 70799 kit or with 65156U seal. This bushing does not have to be replaced if it is not damaged.
23. Use 69799 / 65156U when there is ABS interference.

TRUCK DRIVE AXLE APPLICATIONS

MANUFACTURER AXLE MODEL OR CODE	INNER BEARING NUMBERS	STANDARD SERVICE	SEVERE SERVICE	UNITIZED	COMMENTS
------------------------------------	--------------------------	---------------------	-------------------	----------	----------

G.M.C./CHEVROLET

1614	493 / 495AX	69711	-	-	
1614	493 / 495AX	69787	-	-	
1614	493 / 495AX	69794	-	65024U	
1615	493 / 495AX	69711	-	-	
1615	493 / 495AX	69787	-	-	
1615	493 / 495AX	69794	-	65024U	
1618	493 / 495AX	69711	-	-	
1618	493 / 495AX	69787	-	-	
1618	493 / 495AX	69794	-	65024U	
1619	493 / 495AX	69711	-	-	
1619	493 / 495AX	69787	-	-	
1619	493 / 495AX	69794	-	65024U	
1715	47620 / 47686	69794	-	65024U	
1716	47620 / 47686	69794	-	65024U	
1790	47620 / 47686	69794	-	65024U	
1791	47620 / 47686	69794	-	65024U	
1792	47620 / 47686	69794	-	65024U	
1793	47620 / 47686	69794	-	65024U	
1795	47620 / 47686	69794	-	65024U	
1796	47620 / 47686	69794	-	65024U	
1880	592A / 598	69797	-	65184U	
1890	592A / 598A	69798	70798	65165U	
1892	592A / 598	69797	-	65184U	
1893	592A / 598	69797	-	65184U	
1910	592A / 594	69791	70791	65172U	
1911	592A / 594	69791	70791	65172U	
1918	592A / 594	69791	70791	65172U	
1919	592A / 594	69791	70791	65172U	
2613	47620 / 47686	69794	-	65024U	
2614	47620 / 47686	69794	-	65024U	
2615	47620 / 47686	69794	-	65024U	
2616	47620 / 47686	69794	-	65024U	
2695	592A / 598	69797	-	65184U	
2696	592A / 598	69797	-	65184U	
7800	47620 / 47686	69794	-	65024U	
7801	47620 / 47686	69794	-	65024U	
8800	592A / 594	69791	70791	65172U	
8800	592A / 598	69797	-	65184U	
8800	592A / 598A	69798	70798	65165U	
8800	592A / 594A	69798	70798	65165U	
8802	592A / 594	69791	70791	65172U	
8802	592A / 598	69797	-	65184U	
8802	592A / 598A	69798	70798	65165U	
8802	592A / 594A	69798	70798	65165U	
8802	592A / 598	69797	-	65184U	
8803	592A / 594	69791	70791	65172U	
8803	592A / 598	69797	-	65184U	
8803	592A / 598A	69798	70798	65165U	
8803	592A / 594A	69798	70798	65165U	
8803	592A / 598	69797	-	65184U	
8812	592A / 594A	69791	70791	65172U	
8812	592A / 598A	69798	70798	65165U	
8812	592A / 594A	69798	70798	65165U	

3

TRUCK DRIVE AXLE APPLICATIONS

MANUFACTURER AXLE MODEL OR CODE	INNER BEARING NUMBERS	STANDARD SERVICE	SEVERE SERVICE	UNITIZED	COMMENTS
------------------------------------	--------------------------	---------------------	-------------------	----------	----------

G.M.C./CHEVROLET (Continued)

9503	592A / 598A	69798	70798	65165U	
9503	592A / 594A	69798	70798	65165U	
9503	592A / 598	69797	-	65184U	
9512	592A / 594A	69791	70791	65172U	
9512	592A / 598A	69798	70798	65165U	
9512	592A / 594A	69798	70798	65165U	
16120	493 / 495AX	69787	-	-	
16120	493 / 495AX	69711	-	-	
16121	493 / 495AX	69787	-	-	
16122	493 / 495AX	69787	-	-	
16122	493 / 495AX	69711	-	-	
16221	493 / 495AX	69711	-	-	
16600	493 / 495AX	69711	-	-	
16601	493 / 495AX	69711	-	-	
16802	493 / 495AX	69711	-	-	
16803	493 / 495AX	69711	-	-	
17100	47620 / 47686	69794	-	65024U	
17101	47620 / 47686	69794	-	65024U	
17121	47620 / 47686	69794	-	65024U	
17200	47620 / 47686	69794	-	65024U	See note 14
17201	47620 / 47686	69794	-	65024U	
17220	47620 / 47686	69794	-	65024U	
17221	47620 / 47686	69794	-	65024U	
17321	47620 / 47686	69794	-	65024U	
17401	47620 / 47686	69794	-	65024U	
17421	47620 / 47686	69794	-	65024U	
17500	47620 / 47686	69794	-	65024U	
17501	47620 / 47686	69794	-	65024U	
17600	47620 / 47686	69794	-	65024U	
17601	47620 / 47686	69794	-	65024U	
17700	47620 / 47686	69794	-	65024U	
17701	47620 / 47686	69794	-	65024U	
17800	47620 / 47686	69794	-	65024U	
17801	47620 / 47686	69794	-	65024U	
17815	47620 / 47686	69794	-	65024U	
18100	592A / 598	69797	-	65184U	
18121	592A / 598	69797	-	65184U	
18200	592A / 598	69797	-	65184U	
18200	592A / 594	69791	70791	65172U	
18200	592A / 594A	69798	70798	65165U	
18200	592A / 598A	69798	70798	65165U	
18221	592A / 598	69797	-	65184U	
18300	592A / 594	69791	70791	65172U	
18300	592A / 594A	69798	70798	65165U	
18300	592A / 598A	69798	70798	65165U	
18802	592A / 598	69797	-	65184U	
18803	592A / 598	69797	-	65184U	
19100	592A / 594	69791	70791	65172U	
19101	592A / 594	69791	70791	65172U	
19121	592A / 594	69791	70791	65172U	

NOTE:

14. Replaces OEM sleeve number 2328334 if used, except first type Model TV7500.



TRUCK DRIVE AXLE APPLICATIONS

MANUFACTURER AXLE MODEL OR CODE	INNER BEARING NUMBERS	STANDARD SERVICE	SEVERE SERVICE	UNITIZED	COMMENTS
------------------------------------	--------------------------	---------------------	-------------------	----------	----------

G.M.C./CHEVROLET (Continued)

19200	592A / 594	69791	70791	65172U	
19201	592A / 594	69791	70791	65172U	
19221	592A / 594	69791	70791	65172U	
19502	592A / 594	69791	70791	65172U	
19503	592A / 594	69791	70791	65172U	
19515	592A / 594	69791	70791	65172U	
21100	592A / 594A	69798	70798	65165U	
21101	592A / 594A	69798	70798	65165U	
21121	592A / 594A	69798	70798	65165U	
21200	592A / 594A	69798	70798	65165U	
21201	592A / 594A	69798	70798	65165U	
21400	592A / 594A	69798	70798	65165U	
22100	592A / 594A	69798	70798	65165U	
22101	592A / 594A	69798	70798	65165U	
22121	592A / 594A	69798	70798	65165U	
22201	592A / 594A	69798	70798	65165U	
22221	592A / 594A	69798	70798	65165U	
22500	752 / 760	69782	-	-	
22500	752 / 760	69783	-	-	
22501	752 / 760	69782	-	-	
22501	752 / 760	69783	-	-	
23100	592A / 594A	69798	70798	65165U	
23101	592A / 594A	69798	70798	65165U	
23105	592A / 594A	69798	70798	65165U	
23121	592A / 594A	69798	70789	65165U	
23200	592A / 594A	69798	70789	65165U	
23221	592A / 594A	69798	70798	65165U	
23300	592A / 594A	69798	70798	65165U	
23400	592A / 594A	69798	70798	65165U	
23421	592A / 598A	69799	70799	65156U	See note 23
23421	592A / 594A	69798	70798	65165U	
26100	592A / 594A	69798	70798	65165U	
26200	592A / 594A	69798	70798	65165U	
15000 Lb. Single speed	HM154512 / HM514546	-	-	-	w/ 15"x4" brakes
15000 Lb. Single speed 1966	33472 / 33287	69743	-	65027U	w/ 15"x4" brakes. See note 13
15000 Lb. Single speed after 1966	33472 / 33281	69743	-	65027U	w/ 15"x4" brakes. See note 13
15000 Lb. Two speed 1966	33472 / 33287	69743	-	65027U	w/ 15"x4" brakes. See note 13
15000 Lb. Two speed after 1966	33472 / 33281	69743	-	65027U	w/ 15"x4" brakes. See note 13
15040S 1987 only	33462 / 33287	69787	-	-	
15040S After 1987	33462 / 33287	69711	-	-	
15040T 1987 only	33462 / 33287	69787	-	-	
15040T After 1987	33462 / 33287	69711	-	-	
17000 Lb. Single speed	493 / 495AX	69743	-	65027U	See note 13
17000 Lb. Two speed	493 / 495AX	69743	-	65027U	See note 13
17100 8	47620 / 47686	69743	-	65027U	
17100 Cast wheels	572 / 582	69795	-	-	See note 13
1790A	47620 / 47686	69794	-	65024U	
1791A	47620 / 47686	69794	-	65024U	
18500 Lb. Eaton 17 Series	47620 / 47686	69743	-	65027U	See note 13
18500 8	572 / 582	69795	-	-	See note 13

NOTES:

13. First type model TV7500 with OEM sleeve number 3880944 or 3874372. 69743 kit uses OEM sleeves.

23. Use 69799 / 65156U when there is ABS interference.

TRUCK DRIVE AXLE APPLICATIONS

MANUFACTURER AXLE MODEL OR CODE	INNER BEARING NUMBERS	STANDARD SERVICE	SEVERE SERVICE	UNITIZED	COMMENTS
------------------------------------	--------------------------	---------------------	-------------------	----------	----------

G.M.C./CHEVROLET (Continued)

19050S	47620 / 47686	69794	-	65024U	
19050T	47620 / 47686	69794	-	65024U	
19055T	47620 / 47686	69794	-	65024U	
21065S	592A / 594A	69798	70798	65165U	
21065S	592A / 594A	69799	70799	65156U	See note 23
21065T	592A / 594A	69798	70798	65165U	
22065S	592A / 594A	69798	70798	65165U	
22065T	592A / 594A	69798	70798	65165U	
22M	3925 / 3984	-	-	-	
22M	HM514512 / HM514546	-	-	-	
23070S	592A / 594A	69798	70789	65165U	
23070T	592A / 594A	69798	70789	65165U	
26058P	592A / 598A	69799	70799	65156U	See note 23
26085S	592A / 594A	69798	70798	65165U	
26805T	592A / 594A	69798	70798	65165U	
28M	493 / 495AX	69711	-	-	
28MR	493 / 495AX	69711	-	-	
28MR	493 / 495AX	69794	-	65024U	
30DP	493 / 495AX	69711	-	-	
30DS	493 / 495AX	69743	-	-	
30DSC	493 / 495AX	69787	-	-	
32M	47620 / 47686	69794	-	65024U	
34D3	47620 / 47686	69794	-	65024U	
34D3C	47620 / 47686	69794	-	65024U	
34DS	47620 / 47686	69794	-	65024U	See note 14
34DS	47620 / 47686	69743	-	65027U	See note 13
34DSC	47620 / 47686	69794	-	65024U	See note 14
34DSC	47620 / 47686	69743	-	65027U	See note 13
34DTA	47620 / 47686	69794	-	65024U	
34M	47620 / 47686	69794	-	65024U	
38DPA	592A / 598	69797	-	65184U	
480DP	592A / 598A	69799	70799	65156U	See note 16, 23
B100	127627 / 188931	-	-	-	
B100	7451691 / 7451929	-	-	-	
B100	382A / 387AS	-	-	-	
D380	592A / 598	69798	70789	65165U	
D400P	592A / 594A	69798	70798	65165U	
D400P	592A / 594A	69798	70798	65165U	
DA400	592A / 598A	69799	70799	65156U	See note 23
DA401	592A / 598A	69799	70799	65156U	See note 23
DP341	47620 / 47686	69794	-	65024U	
DP381P	592A / 598A	69799	70799	65156U	See note 23
DP401P	592A / 598A	69799	70799	65156U	See note 23
DP402	592A / 598A	69799	70799	65156U	See note 23
DP406	592A / 598A	69799	70799	65156U	See note 23
DP440	592A / 598A	69799	70799	65156U	See note 23
DP456P	592A / 598A	69799	70799	65156U	See note 23
DP460P	592A / 598A	69799	70799	65156U	See note 23

NOTES:

- 13. First type model TV7500 with OEM sleeve number 3880944 or 3874372. 69743 kit uses OEM sleeves.
- 14. Replaces OEM sleeve number 2328334 if used, except first type Model TV7500.
- 16. With aluminum hub.
- 23. Use 69799 / 65156U when there is ABS interference.

TRUCK DRIVE AXLE APPLICATIONS

MANUFACTURER AXLE MODEL OR CODE	INNER BEARING NUMBERS	STANDARD SERVICE	SEVERE SERVICE	UNITIZED	COMMENTS
------------------------------------	--------------------------	---------------------	-------------------	----------	----------

G.M.C./CHEVROLET (Continued)

DP461P	592A / 598A	69799	70799	65156U	See note 23
DP480P	592A / 598A	69799	70799	65156U	See note 23
DS340	47620 / 47686	69794	-	65024U	
DS341	47620 / 47686	69794	-	65024U	
DS380	592A / 594	69791	70791	65172U	
DS380	592A / 594A	69798	70798	65165U	
DS380	592A / 598A	69797	-	65184U	
DS381	592A / 598A	69799	70799	65156U	See note 23
DS381P	592A / 598A	69799	70799	65156U	See note 23
DS386P	592A / 598A	69799	70799	65156U	See note 23
DS400	592A / 594A	69798	70798	65165U	
DS401P	592A / 598A	69799	70799	65156U	See note 23
DS402	592A / 598A	69799	70799	65156U	See note 23
DS402P	592A / 598A	69799	70799	65156U	See note 23
DS440	592A / 598A	69799	70799	65156U	See note 23
DS440P	592A / 598A	69799	70799	65156U	See note 23
DS456P	592A / 598A	69799	70799	65156U	See note 23
DS460P	592A / 598A	69799	70799	65156U	See note 23
DS461P	592A / 598A	69799	70799	65156U	See note 23
DS480	592A / 598A	69799	70799	65156U	See note 23
DS480P	592A / 598A	69799	70799	65156U	See note 23
DS650P	572 / 575		-	-	
DT3012	572 / 575		-	-	
DT341	47620 / 47686	69794	-	65024U	
DT381	592A / 598A	69799	70799	65156U	See note 23
DT381T	592A / 598A	69799	70799	65156U	See note 23
DT400	592A / 598A	69799	70799	65156U	See note 23
DT401P	592A / 598A	69799	70799	65156U	See note 23
DT402	592A / 598A	69799	70799	65156U	See note 23
DT402P	592A / 598A	69799	70799	65156U	See note 23
DT440	592A / 598A	69799	70799	65156U	See note 23
DT440P	592A / 598A	69799	70799	65156U	See note 23
DT460P	592A / 598A	69799	70799	65156U	See note 23
DT461P	592A / 598A	69799	70799	65156U	See note 23
DT480P	592A / 598A	69799	70799	65156U	See note 23
G161	HM514512 / HM514546	-	-	-	
G175S After 1981	493 / 495AX	69787	-	-	
G175S Before 1982	493 / 495AX	69711	-	-	
G175T Before 1982	47620 / 47686	69711	-	-	
G185S	47620 / 47686	69794	-	65024U	
G185T	47620 / 47686	69794	-	65024U	
G190S	47620 / 47686	69794	-	65024U	
G361	HM514512 / HM514546	-	-	-	
GM340000	47620 / 47686	69794	-	65024U	
H050	127627 / 188931	-	-	-	
H050	7451691 / 7451929	-	-	-	
H050	382A / 387AS	-	-	-	
H052	127627 / 188931	-	-	-	
H052	7451691 / 7451929	-	-	-	
H052	382A / 387AS	-	-	-	
H072	127627 / 188931	-	-	-	

NOTES:

23. Use 69799 / 65156U when there is ABS interference.

TRUCK DRIVE AXLE APPLICATIONS

MANUFACTURER AXLE MODEL OR CODE	INNER BEARING NUMBERS	STANDARD SERVICE	SEVERE SERVICE	UNITIZED	COMMENTS
------------------------------------	--------------------------	---------------------	-------------------	----------	----------

G.M.C./CHEVROLET (Continued)

H072	7451691 / 7451929	-	-	-	
H072	382A / 387AS	-	-	-	
H075	382A / 387AS	-	-	-	
H100	493 / 495AX	69787	-	-	
H100	493 / 495AX	69711	-	-	
H130	493 / 495AX	69787	-	-	
H140 After 1981	493 / 495AX	69711	-	-	
H140 Before 1982	493 / 495AX	69787	-	-	
H150 w / 15" x 4" Hyd Breaks	HM514512 / HM514546	-	-	-	
H150 w / 15" x 5" Hyd Breaks	493 / 495AX	69743	-	65027U	See note 13
H162	493 / 495AX	69711	-	-	
H170	493 / 495AX	69743	-	65027U	See note 13
H172 After 1981	493 / 495AX	69787	-	-	
H172 After 1981	493 / 495AX	69711	-	-	
H175 Before 1982	493 / 495AX	69711	-	-	
H175 After 1981	493 / 495AX	69787	-	-	
H300 After 1981	493 / 495AX	69787	-	-	
H300 Before 1982	493 / 495AX	69711	-	-	
H340 After 1981	493 / 495AX	69787	-	-	
H340 Before 1982	493 / 495AX	69711	-	-	
H350	493 / 495AX	69711	-	-	
H362	493 / 495AX	69711	-	-	
H370	493 / 495AX	69711	-	-	
L161	47620 / 47686	69794	-	65024U	
L162	47620 / 47686	69794	-	65024U	
L172	47620 / 47686	69794	-	65024U	
L350	47620 / 47686	69794	-	65024U	
L351	47620 / 47686	69794	-	65024U	
L361	47620 / 47686	69794	-	65024U	
L362	47620 / 47686	69794	-	65024U	
L370	47620 / 47686	69794	-	65024U	
L371	47620 / 47686	69794	-	65024U	
M186T	47620 / 47686	69794	-	65024U	
M190S	47620 / 47686	69794	-	65024U	
M190T	47620 / 47686	69794	-	65024U	
M200S	592A / 594A	69798	70798	65165U	
M220S	592A / 594A	69798	70798	65165U	
M220T	592A / 594A	69798	70798	65165U	
Q100	592A / 594A	69798	70798	65165U	
Q145	592A / 594A	69798	70798	65165U	
Q380	592A / 594A	69791	70791	65172U	
Q380	592A / 598A	69798	70798	65165U	
Q390	592A / 598A	69798	70798	65165U	
QT140	592A / 598A	69798	70798	65165U	
QT230	592A / 598A	69798	70798	65165U	
QT340	592A / 598A	69798	70798	65165U	
R100	592A / 598A	69798	70798	65165U	
R140	592A / 598A	69798	70798	65165U	
R170	592A / 598A	69798	70798	65165U	
R170	592A / 598A	69799	70799	65156U	See note 23

NOTES:

13. First type model TV7500 with OEM sleeve number 3880944 or 3874372. 69743 kit uses OEM sleeves.

23. Use 69799 / 65156U when there is ABS interference.

TRUCK DRIVE AXLE APPLICATIONS

MANUFACTURER AXLE MODEL OR CODE	INNER BEARING NUMBERS	STANDARD SERVICE	SEVERE SERVICE	UNITIZED	COMMENTS
------------------------------------	--------------------------	---------------------	-------------------	----------	----------

G.M.C./CHEVROLET (Continued)

R200	592A / 598A	69798	70798	65165U	
R230	592A / 598A	69798	70798	65165U	
R300	592A / 598A	69798	70798	65165U	
R380	592A / 598A	69799	70799	65156U	See note 23
R390	592A / 598A	69798	70798	65165U	
R390	592A / 598A	69799	70799	65156U	See note 23
RS16140	47620 / 47686	69794	-	65024U	
RS170	592A / 598A	69799	70799	65156U	See note 23
RS341	47620 / 47686	69794	-	65024U	
RS381	592A / 598A	69799	70799	65156U	See note 23
RS440	592A / 598A	69799	70799	65156U	See note 23
RT240	592A / 598A	69798	70798	65165U	
RT340	592A / 598A	69798	70798	65165U	
RT341	47620 / 47686	69794	-	65024U	
RT381	592A / 598A	69799	70799	65156U	See note 23
S170	592A / 598A	69799	70799	65156U	See note 23
SD3010	572 / 575		-	-	
SD3011	572 / 575		-	-	
SD3020	572 / 575		-	-	
SFD460	752 / 760	69783	-	-	
SFD460	772 / 782	-	-	-	
SFD4600	752 / 760	69783	-	-	
SFD4600	772 / 782	-	-	-	
SFDD3020	572 / 575		-	-	
SFDD4600	752 / 760	69783	-	-	
SFDD4600	772 / 782	-	-	-	
SFHD	493 / 495AX	69711	-	-	
SL100	47620 / 47686	69794	-	65024U	
SL100P	47620 / 47686	69794	-	65024U	
SLDD	47620 / 47686	69794	-	65024U	
SLHD	47620 / 47686	69794	-	65024U	
SLHD	47620 / 47686	69743	-	65027U	
SQ100 Before Aug 1981	592A / 598A	69798	70798	65165U	
SQ1000 After July 1981	592A / 598A	69798	70798	65165U	
SQ100P	592A / 598A	69799	70799	65156U	See note 23
SQDD	592A / 598A	69798	70798	65165U	
SQHD	592A / 598A	69798	70798	65165U	
SQHD	592A / 598A	69799	70799	65156U	See note 23
SQHP	592A / 598A	69799	70799	65156U	See note 23
SQHP After 1981	592A / 598A	69798	70798	65165U	
SQHP Before 1982	592A / 598A	69798	70798	65165U	
SQW	592A / 598A	69798	70798	65165U	
SR170	592A / 598A	69799	70799	65156U	See note 23
SSHD	592A / 598A	69799	70799	65156U	See note 23
SSHD	592A / 598A	69798	70798	65165U	
SSHD	592A / 598A	69799	70799	65156U	See note 23
SSHD After 1981	592A / 598A	69798	70798	65165U	
SU170	752 / 760	69783	-	-	
SU170	772 / 782	-	-	-	
SW3010	572 / 575		-	-	
SW3010P	572 / 575		-	-	
SW3012P	572 / 575		-	-	
SW3014	572 / 575		-	-	

NOTE:

23. Use 69799 / 65156U when there is ABS interference.

TRUCK DRIVE AXLE APPLICATIONS

MANUFACTURER AXLE MODEL OR CODE	INNER BEARING NUMBERS	STANDARD SERVICE	SEVERE SERVICE	UNITIZED	COMMENTS
------------------------------------	--------------------------	---------------------	-------------------	----------	----------

G.M.C./CHEVROLET (Continued)

SW3014P	572 / 575		-	-	
SW3020	572 / 575		-	-	
SW3020P	572 / 575		-	-	
SW456	752 / 760	69783	-	-	
SW456	772 / 782	-	-	-	
SW456A	752 / 760	69783	-	-	
SW456A	772 / 782	-	-	-	
T150	47620 / 47686	69743	-	65027U	
T150 After 1981	493 / 495AX	69787	-	-	
T155	592A / 598A	69798	70798	65165U	
T170	47620 / 47686	69743	-	65027U	
T175 After 1981	493 / 495AX	69787	-	-	
T175 Before 1982	493 / 495AX	69711	-	-	
T185	47620 / 47686	69794	-	65024U	
U200	752 / 760	69783	-	-	
U200 After 1982	772 / 782	-	-	-	
U300	752 / 760	69783	-	-	
U300 After 1982	772 / 782	-	-	-	
W7	HM212011 / HM212047	-	-	-	
W7	32216	-	-	-	
W7HV	32219	-	-	-	

G.M.C./CHEVROLET - SCHOOL BUS

16121	493 / 495AX	69711	-	-	
16121	47620 / 47686	69794	-	65024U	
16221	47620 / 47686	69794	-	65024U	
16221	493 / 495AX	69711	-	-	
17100	47620 / 47686	69794	-	65024U	
17101	47620 / 47686	69794	-	65024U	
17121	47620 / 47686	69794	-	65024U	
17200	47620 / 47686	69794	-	65024U	
17221	47620 / 47686	69794	-	65024U	
17241	47620 / 47686	69794	-	65024U	
19050S	47620 / 47686	69794	-	65024U	
19050T	47620 / 47686	69794	-	65024U	
F106	33462 / 33287	69785	-	65111U	
G185S	47620 / 47686	69794	-	65024U	
G190S	47620 / 47686	69794	-	65024U	
H100	493 / 495AX	69711	-	-	
H140 Before 1982	493 / 495AX	69711	-	-	
H150 8	47620 / 47686	69743	-	65027U	
H150 After 1981	493 / 495AX	69787	-	-	
H162	493 / 495AX	69711	-	-	
H170 8	47620 / 47686	69743	-	65027U	
H172	493 / 495AX	69711	-	-	
H175	493 / 495AX	69787	-	-	
H300 Before 1982	493 / 495AX	69711	-	-	
H340 Before 1982	493 / 495AX	69711	-	-	
H350	493 / 495AX	69711	-	-	
H362	493 / 495AX	69711	-	-	
H370	493 / 495AX	69711	-	-	
L161	47620 / 47686	69794	-	65024U	
L162	47620 / 47686	69794	-	65024U	

TRUCK DRIVE AXLE APPLICATIONS

MANUFACTURER AXLE MODEL OR CODE	INNER BEARING NUMBERS	STANDARD SERVICE	SEVERE SERVICE	UNITIZED	COMMENTS
------------------------------------	--------------------------	---------------------	-------------------	----------	----------

G.M.C./CHEVROLET - SCHOOL BUS (Continued)

L172	47620 / 47686	69794	-	65024U	
L350	47620 / 47686	69794	-	65024U	
L351	47620 / 47686	69794	-	65024U	
L361	47620 / 47686	69794	-	65024U	
L362	47620 / 47686	69794	-	65024U	
L370	47620 / 47686	69794	-	65024U	
L371	47620 / 47686	69794	-	65024U	
M185T	47620 / 47686	69794	-	65024U	
M190T	47620 / 47686	69794	-	65024U	
T150 After 1981	493 / 495AX	69787	-	-	
T150 8	47620 / 47686	69743	-	65027U	
T150 8	47620 / 47686	69743	-	65027U	
T170 8	47620 / 47686	69743	-	65027U	
T175 After 1981	493 / 495AX	69787	-	-	

GRUMMAN FLXIBLE - TRANSIT BUS

59733WX	6535 / 6580	69751	-	-	
C4321519KN	635 / 6580	69751	-	-	

IKRAUS-CROWN

B	635 / 6580	69751	-	-	
---	------------	-------	---	---	--

ISUZU

FTR	32216	-	-	-	
FVR	32219	-	-	-	

IVECO (MAGIRUS DEUTZ)

6.5 Ton Front Drive	JM719113 / JM719149	69598	70598	65060U	
9.5 Ton After March 1974	30218	69799	70799	65156U	See note 23
13 Ton	30221	-	-	-	

KENWORTH

18 Series 11	592A / 598	69799	70799	65156U	See note 23
19 Series 12	592A / 594	69799	70799	65156U	See note 23
38D 11	592A / 598	69799	70799	65156U	See note 23
44D	592A / 594	69799	70799	65156U	See note 23

MACK

3SW65CW	672 / 687	69781	-	65030U	
ES60C	HM516410 / HM516449	69788	70788	65071U	
EW48CW	572 / 580	69796	70796	65270U	
EW60C	HM516410 / HM516449	69788	70788	65071U	
EWS571C	HM516410 / HM516449	69788	70788	65071U	
EWW571C	HM516410 / HM516449	69788	70788	65071U	
EWW57CW	572 / 580	69796	70796	65270U	
Mack Midliner	593X / 594	69760	-	-	
MS200	593X / 594	69760	-	-	
MS250	593X / 594	69760	-	-	
MS300	593X / 594	69760	-	-	

NOTE:

23. Use 69799 / 65156U when there is ABS interference.

TRUCK DRIVE AXLE APPLICATIONS

MANUFACTURER AXLE MODEL OR CODE	INNER BEARING NUMBERS	STANDARD SERVICE	SEVERE SERVICE	UNITIZED	COMMENTS
------------------------------------	--------------------------	---------------------	-------------------	----------	----------

MACK (Continued)

RA104	572 / 580		-	-	
RA111	652 / 663	69750	-	-	
RA1141	652 / 663	69750	-	-	
RA2D300	572 / 580		-	-	
RA2D301	572 / 580		-	-	
RA2D302	572 / 580		-	-	
RA2D304	572 / 580		-	-	
RA2D507	592A / 598	69792	-	-	
RA2D508	592A / 598	69792	-	-	
RA2D509	592A / 598	69792	-	-	
RA2D510	592A / 598	69792	-	-	
RA2D511	592A / 598	69792	-	-	
RA2D512	592A / 598	69792	-	-	
RA2D513	592A / 598	69792	-	-	
RA2D514	592A / 598	69792	-	-	
RA2D516	592A / 598	69792	-	-	
RA2D518	592A / 598	69792	-	-	
RA2D519	592A / 598	69792	-	-	
RA2DL516	592A / 598	69792	-	-	
RA2DL518	592A / 598	69792	-	-	
RA2DL519	592A / 598	69792	-	-	
RA2DT304	572 / 580	69795	-	-	
RA2DT306	572 / 582	69795	-	-	
RA2DT306C	752 / 782	69796	70796	65270U	
RA2DT518	592A / 598A	69799	70799	65156U	See note 23
RA2DT519	592A / 598A	69799	70799	65156U	See note 23
RA2DT521	592A / 598A	69799	70799	65156U	See note 23
RA2DT5211	592A / 598A	69799	70799	65156U	See note 23
RA2DT528	592A / 598	69780	-	-	
RA2DT5281	592A / 598	69780	-	-	
RA2DT532	592A / 598A	69799	70799	65156U	See note 23
RA47	572 / 580		-	-	
RA500	592A / 598	69792	-	-	
RA59	652 / 663	69750	-	-	
RAD231C	592A / 598A	69798	70798	65165U	See note 17
RAD23C	592A / 598A	69798	70798	65165U	See note 17
RAD24D	592A / 598A	69798	70798	65165U	See note 17
RAD29C Cast wheel	672 / 780	69781	-	65030U	
RAD29C Disc wheel	672 / 687	69781	-	65030U	
RAD300	572 / 580		-	-	
RAD301	572 / 580		-	-	
RAD302	572 / 580		-	-	
RAD303	572 / 580		-	-	
RAD305	572 / 580		-	-	
RAD38C Cast wheel	672 / 780	69781	-	65030U	
RAD38C Disc wheel	672 / 687	69781	-	65030U	
RAD400	592A / 598	69792	-	-	
RAD403	592A / 598	69792	-	-	
RAD404	592A / 598	69792	-	-	
RAD500	592A / 598	69792	-	-	

NOTE:

17. Axles with 4-1/2" diameter shoulder and 5-3/4" diameter bore use 69796 / 70796 / 65270U.

23. Use 69799 / 65156U when there is ABS interference.

TRUCK DRIVE AXLE APPLICATIONS

MANUFACTURER AXLE MODEL OR CODE	INNER BEARING NUMBERS	STANDARD SERVICE	SEVERE SERVICE	UNITIZED	COMMENTS
------------------------------------	--------------------------	---------------------	-------------------	----------	----------

MACK (Continued)

RAD501	592A / 598	69792	-	-	
RAD507	592A / 598	69792	-	-	
RAD508	592A / 598	69792	-	-	
RAD509	592A / 598	69792	-	-	
RAD512	592A / 598	69792	-	-	
RAD515	592A / 598	69792	-	-	
RAD528	592A / 598	69780	-	-	
RAD5281	592A / 598	69780	-	-	
RAD5282	592A / 598	69780	-	-	
RAD529	592A / 598	69792	-	-	
RAD5291	592A / 598	69792	-	-	
RAD530	592A / 598	69792	-	-	
RAD5301	592A / 598	69792	-	-	
RAD530C	592A / 598	69792	-	-	
RAD533	592A / 598	69792	-	-	
RAD533CW	592A / 598	69792	-	-	
RAD606C	772 / 780	69781	-	65030U	See note 18
RAD608C	772 / 780	69781	-	65030U	See note 18
RAD703C	772 / 780	69781	-	65030U	See note 18
RAD704C	772 / 780	69781	-	65030U	See note 18
RAD705C	772 / 780	69781	-	65030U	See note 18
RAD707C Cast wheel	672 / 780	69781	-	65030U	
RAD707C Disc wheel	672 / 687	69781	-	65030U	
RAD708C Cast wheel	672 / 780	69781	-	65030U	
RAD708C Disc wheel	672 / 687	69781	-	65030U	
RADL515	592A / 598	69780	-	-	
RADL5151	592A / 598	69780	-	-	
RADL5152	592A / 598	69780	-	-	
RADL5153	592A / 598	69780	-	-	
RADL529	592A / 598	69780	-	-	
RADL5291	592A / 598	69792	-	-	
RADL5301	592A / 598	69792	-	-	
RADL533	592A / 598	69792	-	-	
RADS509	592A / 598	69792	-	-	
RAS23C	592A / 598A	69798	70798	65165U	See note 17
RAS24D	592A / 598A	69798	70798	65165U	See note 17
RAS2D400	592A / 598	69792	-	-	
RAS300	572 / 580		-	-	
RAS301	572 / 580		-	-	
RAS302	572 / 580		-	-	
RAS303	572 / 580		-	-	
RAS307	572 / 582	69795	-	-	
RAS307CW	572 / 582	69796	70796	65270U	
RAS400	592A / 598	69792	-	-	
RAS403	592A / 598	69792	-	-	
RAS404	592A / 598	69792	-	-	
RAS500	592A / 598	69792	-	-	
RAS505	592A / 598	69792	-	-	
RAS507	592A / 598	69792	-	-	

NOTES:

17. Axles with 4-1/2" diameter shoulder and 5-3/4" diameter bore use 69796 / 70796 / 65270U.

18. Late 1963 and after with 5" diameter shoulder.

TRUCK DRIVE AXLE APPLICATIONS

MANUFACTURER AXLE MODEL OR CODE	INNER BEARING NUMBERS	STANDARD SERVICE	SEVERE SERVICE	UNITIZED	COMMENTS
------------------------------------	--------------------------	---------------------	-------------------	----------	----------

MACK (Continued)

RAS508	592A / 598	69792	-	-	
RAS509	592A / 598	69792	-	-	
RAS512	592A / 598	69792	-	-	
RAS512CW	592A / 598	69792	-	-	
RAS572	592A / 598	69792	-	-	
RAS580	592A / 598	69792	-	-	
S440	HM516410 / HM516449A	69788	70788	65071U	
S501	592A / 598	69792	-	-	
S65 Disc wheel	672 / 687	69781	-	65030U	
S65 Cast wheel	772 / 780	69781	-	65030U	
SA38CW	572 / 580	69796	70796	65270U	
SB38	592A / 598A	69798	70798	65165U	
SC342CW	572 / 582	69796	70796	65270U	
SC34CW	572 / 580	69796	70796	65270U	
SC38CW	572 / 580	69796	70796	65270U	
SH342CW	572 / 580	69796	70796	65270U	
SH34CW	572 / 580	69796	70796	65270U	
SH38CW	572 / 580	69796	70796	65270U	
SHB3342C	592A / 598A	69779	-	-	See note 17
SHB342CW	592A / 598A	69779	-	-	
SHB342W	592A / 598A	69779	-	-	See note 17
SHB38C	592A / 598A	69779	-	-	See note 17
SHB38CW	592A / 598A	69779	-	-	
SHB38W	592A / 598A	69779	-	-	See note 17
SS342CW	572 / 580	69796	70796	65270U	
SS34CW	572 / 580	69796	70796	65270U	
SS38CW	572 / 580	69796	70796	65270U	
SS440C	HM516410 / HM516449	69788	70788	65071U	
SS441C	HM516410 / HM516449	69788	70788	65071U	
SS501	592A / 598	69792	-	-	
SS50C	672 / 687	69781	-	65030U	
SS50C	772 / 780	69781	-	65030U	
SS58C	672 / 687	69781	-	65030U	
SS58C	772 / 780	69781	-	65030U	
SS65CW	672 / 687	69781	-	65030U	
SS65CW	772 / 780	69781	-	65030U	
SSB38C	592A / 598A	69779	-	-	See note 17
SSB38CW	592A / 598A	69779	-	-	
SSB38W	592A / 598A	69779	-	-	See note 17
ST34CW	572 / 580	69796	70796	65270U	
SV34CW	572 / 580	69796	70796	65270U	
SV38CW	572 / 580	69796	70796	65270U	
SW29	HM516410 / HM516449	69788	70788	65071U	
SW31	HM516410 / HM516449	69788	70788	65071U	
SW32	772 / 780	69781	-	65030U	
SW342CW	572 / 582	69796	70796	65270U	
SW342CW	572 / 580	69796	70796	65270U	
SW38C	572 / 580	69796	70796	65270U	
SW38CW	572 / 580	69796	70796	65270U	
SW38CW	572 / 582	69796	70796	65270U	

NOTE:

17. Axles with 4-1/2" diameter shoulder and 5-3/4" diameter bore use 69796 / 70796 / 65270U.

TRUCK DRIVE AXLE APPLICATIONS

MANUFACTURER AXLE MODEL OR CODE	INNER BEARING NUMBERS	STANDARD SERVICE	SEVERE SERVICE	UNITIZED	COMMENTS
------------------------------------	--------------------------	---------------------	-------------------	----------	----------

MACK (Continued)

SW38W	572 / 580	69796	70796	65270U	
SW44	652 / 663	69788	70788	65071U	
SW440C	HM516410 / HM516449C	69788	70788	65071U	
SW441 Cast wheel	772 / 780	69781	-	65030U	
SW441 Steel wheel	652 / 663	69750	-	-	
SW441C	HM516410 / HM516449C	69788	70788	65071U	
SW501	592A / 598	69792	-	-	
SW50C	672 / 687	69781	-	65030U	
SW50C	772 / 780	69781	-	65030U	
SW56	572 / 580	69796	70796	65270U	
SW56	572 / 582	69796	70796	65270U	
SW561	572 / 580	69796	70796	65270U	
SW57	572 / 580	69796	70796	65270U	
SW57	572 / 582	69796	70796	65270U	
SW570	HM516410 / HM516449A	69798	70798	65165U	
SW571	652 / 663	69788	70788	65071U	
SW573	652 / 663	69788	70788	65071U	
SW5731	HM516410 / HM516449A	69798	70798	65165U	
SW58C	672 / 687	69781	-	65030U	
SW58C	772 / 780	69781	-	65030U	
SW65CW	772 / 780	69781	-	65030U	
SW76	572 / 582	69796	70796	65270U	
SW76	572 / 580	69796	70796	65270U	
SWA574C	572 / 580	69796	70796	65270U	
SWA57C	572 / 580	69796	70796	65270U	
SWA57CW	572 / 580	69796	70796	65270U	
SWA57W	572 / 580	69796	70796	65270U	
SWB342C	592A / 598A	69798	70798	65165U	
SWB342CW	592A / 598A	69798	70798	65165U	
SWB342W	592A / 598A	69798	70798	65165U	
SWB38C	592A / 598A	69798	70798	65165U	
SWB38CW	592A / 598A	69798	70798	65165U	
SWB38W	592A / 598A	69798	70798	65165U	
SWC5612C	572 / 580	69796	70796	65270U	
SWC562CW	572 / 580	69796	70796	65270U	
SWC574C	572 / 580	69796	70796	65270U	
SWC57CW	572 / 580	69796	70796	65270U	
SWD32	772 / 780	69781	-	65030U	
SWD44	652 / 663	69788	70788	65071U	
SWD441	652 / 663	69788	70788	65071U	
SWD442	652 / 663	69788	70788	65071U	
SWD443	652 / 663	69788	70788	65071U	
SWD444	652 / 663	69788	70788	65071U	
SWD52 Cast housing	652 / 663	69788	70788	65071U	
SWD52 Steel housing	652 / 663	69750	-	-	
SWD53	652 / 663	69788	70788	65071U	
SWD53 Cast housing	652 / 663	69788	70788	65071U	
SWD53 Steel housing	652 / 663	69750	-	-	
SWD5301	652 / 663	69750	-	-	
SWD56	572 / 580	69798	70789	65165U	
SWD561	572 / 580	69796	70796	65270U	
SWD562	572 / 580	69796	70796	65270U	
SWD563	572 / 580	69796	70796	65270U	

TRUCK DRIVE AXLE APPLICATIONS

MANUFACTURER AXLE MODEL OR CODE	INNER BEARING NUMBERS	STANDARD SERVICE	SEVERE SERVICE	UNITIZED	COMMENTS
------------------------------------	--------------------------	---------------------	-------------------	----------	----------

MACK (Continued)

SWD564	572 / 580	69796	70796	65270U	
SWD57	652 / 663	69750	-	-	
SWD57	HM516410 / HM516449	69750	-	-	
SWD5701 After 1968	652 / 663	69750	-	-	
SWD5701 After 1968	HM516410 / HM516449	69750	-	-	
SWD571 After 1968	652 / 663	69788	70788	65071U	
SWD571 After 1968	HM516410 / HM516449	69788	70788	65071U	
SWD5711 After 1968	652 / 663	69788	70788	65071U	
SWD5711 After 1968	HM516410 / HM516449	69788	70788	65071U	
SWD572 After 1968	652 / 663	69788	70788	65071U	
SWD572 After 1968	HM516410 / HM516449	69788	70788	65071U	
SWD5721 After 1968	652 / 663	69788	70788	65071U	
SWD5721 After 1968	HM516410 / HM516449	69788	70788	65071U	
SWD573 After 1968	652 / 663	69788	70788	65071U	
SWD573 After 1968	HM516410 / HM516449	69788	70788	65071U	
SWD5731 After 1968	652 / 663	69788	70788	65071U	
SWD5731 After 1968	HM516410 / HM516449	69788	70788	65071U	
SWD574 After 1968	652 / 663	69788	70788	65071U	
SWD574 After 1968	HM516410 / HM516449	69788	70788	65071U	
SWD5741 After 1968	652 / 663	69750	-	-	
SWD5741 After 1968	HM516410 / HM516449	69750	-	-	
SWD575 After 1968	652 / 663	69788	70788	65071U	
SWD575 After 1968	HM516410 / HM516449	69788	70788	65071U	
SWD5751 After 1968	652 / 663	69788	70788	65071U	
SWD5751 After 1968	HM516410 / HM516449	69788	70788	65071U	
SWD5791 After 1968	652 / 663	69788	70788	65071U	
SWD5791 After 1968	HM516410 / HM516449	69788	70788	65071U	
SWD59	672 / 687	69781	-	65030U	
SWD59	772 / 780	69781	-	65030U	
SWD591	772 / 780	69781	-	65030U	
SWD592	672 / 687	69781	-	65030U	
SWD592	772 / 780	69781	-	65030U	
SWD5921	672 / 687	69781	-	65030U	
SWD5921	772 / 780	69781	-	65030U	
SWD593	672 / 687	69781	-	65030U	
SWD593	772 / 780	69781	-	65030U	
SWD68	672 / 687	69781	-	65030U	
SWD68	772 / 780	69781	-	65030U	
SWD681	672 / 687	69781	-	65030U	
SWD681	772 / 780	69781	-	65030U	
SWD73	572 / 580	69796	70796	65270U	
SWD731	572 / 580	69796	70796	65270U	
SWD732	572 / 580	69796	70796	65270U	
SWD7321	572 / 580	69796	70796	65270U	
SWD75	572 / 580	69796	70796	65270U	
SWD751	572 / 580	69796	70796	65270U	
SWD76	572 / 580	69796	70796	65270U	
SWD761	572 / 580	69796	70796	65270U	
SWD762	572 / 580	69796	70796	65270U	
SWD7621	572 / 580	69796	70796	65270U	
SWD78	572 / 580	69796	70796	65270U	
SWD83	572 / 580	69796	70796	65270U	
SWDL55	652 / 663	69750	-	-	

3



TRUCK DRIVE AXLE APPLICATIONS

MANUFACTURER AXLE MODEL OR CODE	INNER BEARING NUMBERS	STANDARD SERVICE	SEVERE SERVICE	UNITIZED	COMMENTS
------------------------------------	--------------------------	---------------------	-------------------	----------	----------

MACK (Continued)

SWDL551	652 / 663	69750	-	-	
SWDL56	572 / 580	69796	70796	65270U	
SWDL561	572 / 580	69796	70796	65270U	
SWDL563	572 / 580	69796	70796	65270U	
SWDL564	572 / 580	69796	70796	65270U	
SWDL73	572 / 580	69796	70796	65270U	
SWDL731	572 / 580	69796	70796	65270U	
SWDL7321	572 / 580	69796	70796	65270U	
SWDL75	572 / 580	69796	70796	65270U	
SWDL751	572 / 580	69796	70796	65270U	
SWDL76	572 / 580	69796	70796	65270U	
SWDL761	572 / 580	69796	70796	65270U	
SWDL7621	572 / 580	69796	70796	65270U	
SWDL78	572 / 580	69796	70796	65270U	
SWDR48	592A / 598	69792	-	-	
SWDR49	592A / 598	69792	-	-	
SWH56	572 / 580	69796	70796	65270U	
SWH562	572 / 580	69796	70796	65270U	
SWH562CW	572 / 580	69796	70796	65270U	
SWH56CW	572 / 580	69796	70796	65270U	
SWH57CW	572 / 580	69796	70796	65270U	
SWH762CW	572 / 580	69796	70796	65270U	
SWH76CW	572 / 580	69796	70796	65270U	
SWS56	572 / 580	69796	70796	65270U	
SWS561	572 / 580	69796	70796	65270U	
SWS5612C	572 / 580	69796	70796	65270U	
SWS561C	572 / 580	69796	70796	65270U	
SWS562CW	572 / 580	69796	70796	65270U	
SWS56CW	572 / 580	69796	70796	65270U	
SWS5711C	HM516410 / HM516449C	69788	70788	65071U	
SWS571C After 1968	652 / 663	69788	70788	65071U	
SWS571C After 1968	HM516410 / HM516449C	69788	70788	65071U	
SWS571W After 1968	652 / 663	69788	70788	65071U	
SWS571W After 1968	HM516410 / HM516449C	69788	70788	65071U	
SWS572	652 / 663	69788	70788	65071U	
SWS572	HM516410 / HM516449C	69788	70788	65071U	
SWS573C After 1968	652 / 663	69788	70788	65071U	
SWS573C After 1968	HM516410 / HM516449C	69788	70788	65071U	
SWS573CW	HM516410 / HM516449A	69798	70798	65165U	
SWS573W After 1968	652 / 663	69788	70788	65071U	
SWS573W After 1968	HM516410 / HM516449	69788	70788	65071U	
SWS574C	652 / 663	69788	70788	65071U	
SWS57CW	572 / 580	69796	70796	65270U	
SWS592C	652 / 663	69788	70788	65071U	
SWS592C	HM516410 / HM516449	69788	70788	65071U	
SWS592CW	672 / 687	69781	-	65030U	
SWS592CW	772 / 780	69781	-	65030U	
SWS59C	672 / 687	69781	-	65030U	
SWS59C	772 / 780	69781	-	65030U	
SWS68	772 / 780	69781	-	65030U	
SWS681C	672 / 687	69781	-	65030U	
SWS681C	772 / 780	69781	-	65030U	
SWS68C	672 / 687	69781	-	65030U	

3

TRUCK DRIVE AXLE APPLICATIONS

MANUFACTURER AXLE MODEL OR CODE	INNER BEARING NUMBERS	STANDARD SERVICE	SEVERE SERVICE	UNITIZED	COMMENTS
------------------------------------	--------------------------	---------------------	-------------------	----------	----------

MACK (Continued)

SWS68C	772 / 780	69781	-	65030U	
SWS76CW	572 / 580	69796	70796	65270U	
SWSL56CW	572 / 580	69796	70796	65270U	
SWTL561C	572 / 580	69796	70796	65270U	
SWTL56CW	572 / 580	69796	70796	65270U	
SWW526C	572 / 580	69796	70796	65270U	
SWW5612C	572 / 580	69796	70796	65270U	
SWW562CW	572 / 580	69796	70796	65270U	
SWW57	772 / 780	69781	-	65030U	
SWW571	652 / 663	69788	70788	65071U	
SWW5711	HM516410 / HM516449A	69798	70798	65165U	
SWW5711C	HM516410 / HM516449C	69788	70788	65071U	
SWW571C	HM516410 / HM516449C	69788	70788	65071U	
SWW572	652 / 663	69788	70788	65071U	
SWW573	652 / 663	69788	70788	65071U	
SWW574C	572 / 580	69796	70796	65270U	
SWW57CW	572 / 580	69796	70796	65270U	
SWW592CW	672 / 687	69781	-	65030U	
SWW592CW	772 / 780	69781	-	65030U	
SWW59C	672 / 687	69781	-	65030U	
SWW59C	772 / 780	69781	-	65030U	
SWW681C	672 / 687	69781	-	65030U	
SWW681C	772 / 780	69781	-	65030U	
SWW68C	672 / 687	69781	-	65030U	
SWW68C	772 / 780	69781	-	65030U	
SWW762CW	572 / 580	69796	70796	65270U	
SWW76CW	572 / 580	69796	70796	65270U	
SWWL562C2	572 / 580	69796	70796	65270U	
SWWL56CW	572 / 580	69796	70796	65270U	

MERITOR/ROCKWELL

5640	752 / 780		-	-	
53300	3920 / 3984	69730	-	-	
53301	3920 / 3984	69730	-	-	
53308	3920 / 3984	69730	-	-	
53411	3920 / 3984	69730	-	-	
53440	3920 / 3984	69730	-	-	
53512	3920 / 3984	69730	-	-	
53521	3920 / 3984	69730	-	-	
53526	3920 / 3984	69730	-	-	
53543	3920 / 3984	69730	-	-	
53547	3920 / 3984	69730	-	-	
53554	3920 / 3984	69730	-	-	
53560	3920 / 3984	69730	-	-	
53565	3920 / 3984	69730	-	-	
53566	3920 / 3984	69730	-	-	
53567	3920 / 3984	69730	-	-	
53586	3920 / 3984	69730	-	-	
53587	3920 / 3984	69730	-	-	
53588	3920 / 3984	69730	-	-	
53591	3920 / 3984	69730	-	-	
53595	3920 / 3984	69730	-	-	
53596	3920 / 3984	69730	-	-	

TRUCK DRIVE AXLE APPLICATIONS

MANUFACTURER AXLE MODEL OR CODE	INNER BEARING NUMBERS	STANDARD SERVICE	SEVERE SERVICE	UNITIZED	COMMENTS
------------------------------------	--------------------------	---------------------	-------------------	----------	----------

MERITOR/ROCKWELL (Continued)

53598	3920 / 3984	69730	-	-	
53599	3920 / 3984	69730	-	-	
53619	3920 / 3984	69730	-	-	
54350	3920 / 3984	69730	-	-	
54411	3920 / 3984	69730	-	-	
54412	3920 / 3984	69730	-	-	
54419	3920 / 3984	69730	-	-	
54430	3920 / 3984	69730	-	-	
56334	493 / 495AX	69711	-	-	
56401	752 / 780		-	-	
56412	752 / 780		-	-	
56413	752 / 780		-	-	
56427	752 / 780		-	-	
56450	752 / 780		-	-	
56451	752 / 780		-	-	
56460	752 / 780		-	-	
56461	752 / 780		-	-	
58180	742 / 749A	-	-	-	
58267	742 / 749A	-	-	-	
58268	742 / 749A	-	-	-	
58380	742 / 749A	-	-	-	
58863	742 / 749A	-	-	-	
58873	742 / 749A	-	-	-	
59146	742 / 749A	-	-	-	
59690	742 / 749A	-	-	-	
59722	6535 / 6559	69751	-	-	
59722	6535 / 6559	69751	-	-	
59722	6535 / 6559	69753	-	-	
59722	6535 / 6580	69753	-	-	
59723	6535 / 6559	69751	-	-	
59723	6535 / 6559	69751	-	-	
59723	6535 / 6559	69753	-	-	
59723	6535 / 6580	69753	-	-	
65350	6535 / 6559	69751	-	-	
65351	6535 / 6559	69751	-	-	
65356	6535 / 6559	69751	-	-	
65357	6535 / 6559	69751	-	-	
65450	6535 / 6559	69751	-	-	
65451	6535 / 6559	69751	-	-	
65456	6535 / 6559	69751	-	-	
65457	6535 / 6559	69751	-	-	
75350	6535 / 6559	69751	-	-	
75351	6535 / 6559	69751	-	-	
75356	6535 / 6559	69751	-	-	
75357	6535 / 6559	69751	-	-	
76410	6535 / 6559	69751	-	-	
93440	3920 / 3984	69730	-	-	
94440	3920 / 3984	69730	-	-	
52160P	592A / 594A	69799	70799	65156U	See note 23
53581TW	3920 / 3984	69730	-	-	
56431P	752 / 780		-	-	
56433P	752 / 780		-	-	
57450W	742 / 749A	-	-	-	

NOTE:

23. Use 69799 / 65156U when there is ABS interference.

TRUCK DRIVE AXLE APPLICATIONS

MANUFACTURER AXLE MODEL OR CODE	INNER BEARING NUMBERS	STANDARD SERVICE	SEVERE SERVICE	UNITIZED	COMMENTS
------------------------------------	--------------------------	---------------------	-------------------	----------	----------

MERITOR/ROCKWELL (Continued)

59610W	6535 / 6559	69753	-	-	
59610W	6535 / 6580	69753	-	-	
59620W	6535 / 6559	69753	-	-	
59620W	6535 / 6580	69753	-	-	
59621W	6535 / 6559	69753	-	-	
59621W	6535 / 6580	69753	-	-	
93548N	3920 / 3984	69730	-	-	
93558N	3920 / 3984	69730	-	-	
94427H	3920 / 3984	69730	-	-	
94441H	3920 / 3984	69730	-	-	
B1055	493 / 495AX	69711	-	-	
BH150	493 / 495AX	69711	-	-	
C100	3920 / 3984	69730	-	-	
D100	3920 / 3984	69730	-	-	
D140	3920 / 3984	69730	-	-	
DBB1300	493 / 495AX	69711	-	-	
E100	3920 / 3984	69730	-	-	
E102	3920 / 3984	69730	-	-	
E105	3920 / 3984	69730	-	-	
E150	3920 / 3984	69730	-	-	
E155	3920 / 3984	69730	-	-	
E200	3920 / 3984	69730	-	-	
E300	3920 / 3984	69730	-	-	
E302	3920 / 3984	69730	-	-	
E350	3920 / 3984	69730	-	-	
EQDD	592A / 598A	69799	70799	65156U	See note 23
EQHD	592A / 598A	69799	70799	65156U	See note 23
ERDD	592A / 598A	69799	70799	65156U	See note 23
ERLD	33462 / 33287	69795	-	-	
ERLD	592A / 598A	69799	70799	65156U	See note 23
ERLHD	33462 / 33287	69795	-	-	
ERLHD	592A / 598A	69799	70799	65156U	See note 23
ERQHD	592A / 598A	69799	70799	65156U	See note 23
ERQHD	592A / 598A	69799	70799	65156U	See note 23
ESHD	592A / 598A	69799	70799	65156U	See note 23
ESQHD	592A / 598A	69799	70799	65156U	See note 23
ETRDD	592A / 598A	69799	70799	65156U	See note 23
F104	33462 / 33287	69785	-	65111U	
F105	33462 / 33287	69785	-	65111U	
F106	33462 / 33287	69785	-	65111U	

NOTE:

23. Use 69799 / 65156U when there is ABS interference.

3

TRUCK DRIVE AXLE APPLICATIONS

MANUFACTURER AXLE MODEL OR CODE	INNER BEARING NUMBERS	STANDARD SERVICE	SEVERE SERVICE	UNITIZED	COMMENTS
------------------------------------	--------------------------	---------------------	-------------------	----------	----------

MERITOR/ROCKWELL (Continued)

F140	33462 / 33287	69785	-	65111U	
F140D	33462 / 33287	69785	-	65111U	
F142	33462 / 33287	69785	-	65111U	
F145	33462 / 33287	69785	-	65111U	
F146	33462 / 33287	69785	-	65111U	
F147	493 / 495AX	69711	-	-	
F149	33462 / 33287	69785	-	65111U	
F245	33462 / 33287	69785	-	65111U	
F340	33462 / 33287	69785	-	65111U	
F341	33462 / 33287	69785	-	65111U	
F345	33462 / 33287	69785	-	65111U	
FH	493 / 495AX	69711	-	-	
FHD	493 / 495AX	69711	-	-	
FHF	493 / 495AX	69711	-	-	
FHR	493 / 495AX	69711	-	-	
G361	592A / 598A	69797	-	65184U	
H101	493 / 495AX	69711	-	-	
H110	493 / 495AX	69711	-	-	
H120	493 / 495AX	69711	-	-	
H130	493 / 495AX	69711	-	-	
H140	493 / 495AX	69711	-	-	
H141	493 / 495AX	69711	-	-	
H143	493 / 495AX	69711	-	-	
H145	493 / 495AX	69711	-	-	
H150	493 / 495AX	69711	-	-	
H151	493 / 495AX	69711	-	-	
H153	493 / 495AX	69711	-	-	
H156	493 / 495AX	69711	-	-	
H161	493 / 495AX	69711	-	-	
H162	493 / 495AX	69711	-	-	
H170	493 / 495AX	69787	-	-	
H172	493 / 495AX	69787	-	-	
H173	47620 / 47686	69794	70794	65152U	See note 1
H175 After 1981	33462 / 33287	69787	-	-	
H200	493 / 495AX	69711	-	-	
H240	493 / 495AX	69711	-	-	
H250	493 / 495AX	69711	-	-	
H300	493 / 495AX	69711	-	-	
H301	493 / 495AX	69711	-	-	
H302	493 / 495AX	69711	-	-	
H310	493 / 495AX	69711	-	-	
H320	493 / 495AX	69711	-	-	
H320HD	493 / 495AX	69711	-	-	
H340 Before 1982	493 / 495AX	69711	-	-	
H341	493 / 495AX	69711	-	-	
H350	493 / 495AX	69711	-	-	
H362	493 / 495AX	69711	-	-	
H370	493 / 495AX	69711	-	-	
H373	493 / 495AX	69711	-	-	
H601	493 / 495AX	69711	-	-	

NOTE:

1. Use 65024U for GM application. Remove OEM seal spacer.

TRUCK DRIVE AXLE APPLICATIONS

MANUFACTURER AXLE MODEL OR CODE	INNER BEARING NUMBERS	STANDARD SERVICE	SEVERE SERVICE	UNITIZED	COMMENTS
------------------------------------	--------------------------	---------------------	-------------------	----------	----------

MERITOR/ROCKWELL (Continued)

H601	493 / 495AX	69711	-	-	
HH	493 / 495AX	69711	-	-	
HHD	493 / 495AX	69711	-	-	
HHR	493 / 495AX	69711	-	-	
JH	572 / 582	69795	-	-	
JHD	572 / 582	69795	-	-	
JHR	572 / 582	69795	-	-	
L	572 / 582	69795	-	-	
L100	572 / 582	69795	-	-	
L101	572 / 582	69795	-	-	
L110	653 / 663A	69795	-	-	
L140	572 / 582	69795	-	-	
L143	653 / 663A	69795	-	-	
L145	572 / 582	69795	-	-	
L148	653 / 663A	69795	-	-	
L155	47620 / 47678	69794	70794	65152U	See note 1
L155	572 / 582	69795	-	-	
L172	47620 / 47678	69794	70794	65152U	See note 1
L173	47620 / 47678	69794	70794	65152U	See note 1
L200	572 / 582	69795	-	-	
L201	572 / 582	69795	-	-	
L240	572 / 582	69795	-	-	
L245	572 / 582	69795	-	-	
L300	572 / 582	69795	-	-	
L301	572 / 582	69795	-	-	
L301	653 / 663A	69795	-	-	
L310	572 / 582	69795	-	-	
L340	572 / 582	69795	-	-	
L345	572 / 582	69795	-	-	
L346	47620 / 47678	69794	70794	65152U	See note 1
L350	572 / 582	69795	-	-	
L350	592A / 594A	69799	70799	65156U	
L351	493 / 495AX	69711	-	-	
L351	47620 / 47678	69794	70794	65152U	See note 1
L361	493 / 495AX	69711	-	-	
L361	47620 / 47678	69794	70794	65152U	See note 1
L362	493 / 495AX	69711	-	-	
L362	47620 / 47678	69794	70794	65152U	See note 1
L365	493 / 495AX	69711	-	-	
L365	47620 / 47678	69794	70794	65152U	See note 1
L370	493 / 495AX	69711	-	-	
L370	47620 / 47678	69794	70794	65152U	See note 1
L371	493 / 495AX	69711	-	-	
L371	47620 / 47678	69794	70794	65152U	See note 1
LD	572 / 582	69795	-	-	
LDD	572 / 582	69795	-	-	
LDF	572 / 582	69795	-	-	
LH	572 / 582	69795	-	-	
LHD	572 / 582	69795	-	-	
LHDD	572 / 582	69795	-	-	

NOTE:

1. Use 65024U for GM application. Remove OEM seal spacer.

3



TRUCK DRIVE AXLE APPLICATIONS

MANUFACTURER AXLE MODEL OR CODE	INNER BEARING NUMBERS	STANDARD SERVICE	SEVERE SERVICE	UNITIZED	COMMENTS
------------------------------------	--------------------------	---------------------	-------------------	----------	----------

MERITOR/ROCKWELL (Continued)

LHF	572 / 582	69795	-	-	
LHR	572 / 582	69795	-	-	
LT200	572 / 582	69795	-	-	
LT240	572 / 582	69795	-	-	
LT300	572 / 582	69795	-	-	
LT301	47620 / 47678	69794	70794	65152U	See note 1
LT310	653 / 663A	69795	-	-	
LT340	572 / 582	69795	-	-	
P174	592A / 594A	69799	70799	65156U	See note 23
P601	47620 / 47678	69794	70794	65152U	See note 1
Q100	592A / 594A	69799	70799	65156U	See note 23
Q101	592A / 598	69799	70799	65156U	See note 23
Q110	672 / 681A	69789	70789	65283U	
Q130	592A / 594A	69799	70799	65156U	See note 23
Q145	592A / 594A	69799	70799	65156U	See note 23
Q148	672 / 681A	69789	70789	65283U	
Q148	592A / 594A	69799	70799	65156U	See note 23
Q150	592A / 598A	69799	70799	65156U	See note 18, 23
Q155	592A / 598A	69799	70799	65156U	See note 18, 23
Q162	592A / 598A	69799	70799	65156U	See note 18, 23
Q200	592A / 598A	69799	70799	65156U	See note 18, 23
Q201	592A / 598A	69799	70799	65156U	See note 18, 23
Q201	592A / 598	69799	70799	65156U	See note 18, 23
Q230	592A / 598A	69799	70799	65156U	See note 18, 23
Q240	592A / 598A	69799	70799	65156U	See note 18, 23
Q245	592A / 598A	69799	70799	65156U	See note 18, 23
Q246	592A / 598A	69799	70799	65156U	See note 18, 23
Q265	592A / 598A	69799	70799	65156U	See note 18, 23
Q300	592A / 598A	69799	70799	65156U	See note 18, 23
Q301	592A / 598	69799	70799	65156U	See note 18, 23
Q345	592A / 598A	69799	70799	65156U	See note 18, 23
Q346	592A / 598A	69799	70799	65156U	See note 18, 23
Q346P	592A / 598A	69799	70799	65156U	See note 18, 23
Q370	592A / 598A	69799	70799	65156U	See note 18, 23
Q380	592A / 598A	69799	70799	65156U	See note 18, 23
Q390	592A / 598A	69799	70799	65156U	See note 18, 23
QD	592A / 598A	69799	70799	65156U	See note 18, 23
QDA	592A / 598A	69799	70799	65156U	See note 18, 23
QDD	592A / 598A	69799	70799	65156U	See note 18, 23
QDF	592A / 598A	69799	70799	65156U	See note 18, 23
QDR	592A / 598A	69799	70799	65156U	See note 18, 23
QH	592A / 598A	69799	70799	65156U	See note 18, 23
QHB	592A / 598A	69799	70799	65156U	See note 18, 23
QHD	592A / 598A	69799	70799	65156U	See note 18, 23
QHDA	592A / 598A	69799	70799	65156U	See note 18, 23
QHF	592A / 598A	69799	70799	65156U	See note 18, 23
QHP	592A / 598A	69799	70799	65156U	See note 18, 23
QHR	592A / 598A	69799	70799	65156U	See note 18, 23
QT140	592A / 598A	69799	70799	65156U	See note 18, 23

NOTES:

1. Use 65024U for GM application. Remove OEM seal spacer.
18. Late 1963 and after with 5" diameter shoulder.
23. Use 69799 / 65156U when there is ABS interference.

TRUCK DRIVE AXLE APPLICATIONS

MANUFACTURER AXLE MODEL OR CODE	INNER BEARING NUMBERS	STANDARD SERVICE	SEVERE SERVICE	UNITIZED	COMMENTS
------------------------------------	--------------------------	---------------------	-------------------	----------	----------

MERITOR/ROCKWELL (Continued)

QT143	672 / 681A	69789	70789	65283U	
QT145	592A / 598A	69799	70799	65156U	See note 18, 23
QT200	592A / 598A	69799	70799	65156U	See note 18, 23
QT201	592A / 598A	69799	70799	65156U	See note 18, 23
QT230	592A / 598A	69799	70799	65156U	See note 18, 23
QT240	592A / 598A	69799	70799	65156U	See note 18, 23
QT300	592A / 598A	69799	70799	65156U	See note 18, 23
QT301	592A / 598A	69799	70799	65156U	See note 18, 23
QT330	592A / 598A	69799	70799	65156U	See note 18, 23
QT340	592A / 598A	69799	70799	65156U	See note 18, 23
QT341	592A / 598A	69799	70799	65156U	See note 18, 23
QT342	592A / 598A	69799	70799	65156U	See note 18, 23
QT342P	592A / 598A	69799	70799	65156U	See note 18, 23
QT345	592A / 598A	69799	70799	65156U	See note 18, 23
QT346	592A / 598A	69799	70799	65156U	See note 18, 23
QT350	592A / 598A	69799	70799	65156U	See note 18, 23
QT360	592A / 598A	69799	70799	65156U	See note 18, 23
QT365	592A / 598A	69799	70799	65156U	See note 18, 23
QT367	592A / 598A	69799	70799	65156U	See note 18, 23
QT540	592A / 598A	69799	70799	65156U	See note 18, 23
QW	592A / 598A	69799	70799	65156U	See note 18, 23
QWF	592A / 598A	69799	70799	65156U	See note 18, 23
QWR	592A / 598A	69799	70799	65156U	See note 18, 23
R100	592A / 598A	69799	70799	65156U	See note 18, 23
R100A	592A / 598A	69799	70799	65156U	See note 18, 23
R101	672 / 681A	69789	70789	65283U	
R101	592A / 598A	69799	70799	65156U	See note 18, 23
R101A	592A / 598A	69799	70799	65156U	See note 18, 23
R110	672 / 681A	69789	70789	65283U	
R113	592A / 598A	69799	70799	65156U	See note 18, 23
R113	592A / 598A	69799	70799	65156U	See note 18, 23
R114	6535 / 6559	-	-	-	
R115	6535 / 6559	-	-	-	
R120	672 / 681A	69789	70789	65283U	
R130	592A / 598A	69799	70799	65156U	See note 18, 23
R140	592A / 598A	69799	70799	65156U	See note 18, 23
R141	592A / 598A	69799	70799	65156U	See note 18, 23
R143	672 / 681A	69789	70789	65283U	See note 20
R153 After Aug 1981	592A / 598A	69799	70799	65156U	See note 23
R155	592A / 598A	69799	70799	65156U	See note 23
R155	592A / 594A	69799	70799	65156U	See note 23
R158	672 / 681A	69789	70789	65283U	See note 20
R158	592A / 598A	69799	70799	65156U	See note 23
R158	592A / 594A	69799	70799	65156U	See note 23
R160	592A / 598A	69799	70799	65156U	See note 23
R162	672 / 681A	69789	70789	65283U	
R163	672 / 681A	69789	70789	65283U	

NOTES:

- 18. Late 1963 and after with 5" diameter shoulder.
- 20. Meritor R-143 axles prior to September 1973 have a 4.50" diameter spindle shoulder and require shoulder bushing 67008. This bushing is not included in 69789, 70789 kits or with 65283U seal. Order 67008 bushing separately.
Bushings may be reused if not removed or damaged.
- 23. Use 69799 / 65156U when there is ABS interference.

TRUCK DRIVE AXLE APPLICATIONS

MANUFACTURER AXLE MODEL OR CODE	INNER BEARING NUMBERS	STANDARD SERVICE	SEVERE SERVICE	UNITIZED	COMMENTS
------------------------------------	--------------------------	---------------------	-------------------	----------	----------

MERITOR/ROCKWELL (Continued)

R164	6535 / 6559	-	-	-	
R170 After Aug 1981	592A / 598A	69799	70799	65156U	See note 23
R171	592A / 598A	69799	70799	65156U	See note 23
R172	592A / 598A	69799	70799	65156U	See note 23
R173	672 / 681A	69789	70789	65283U	
R200	592A / 598A	69799	70799	65156U	See note 23
R201	592A / 598A	69799	70799	65156U	See note 23
R202	592A / 598A	69799	70799	65156U	See note 23
R210	672 / 681A	69789	70789	65283U	
R220	592A / 598A	69799	70799	65156U	See note 23
R221	592A / 598A	69799	70799	65156U	See note 23
R223	592A / 598A	69799	70799	65156U	See note 23
R230	592A / 598A	69799	70799	65156U	See note 23
R235	592A / 598A	69799	70799	65156U	See note 23
R241	592A / 594A	69799	70799	65156U	See note 23
R255 After Aug 1981	592A / 594A	69799	70799	65156U	See note 23
R270 After Aug 1981	592A / 594A	69799	70799	65156U	See note 23
R300	592A / 598A	69799	70799	65156U	See note 23
R300B	592A / 598A	69799	70799	65156U	See note 23
R301	592A / 598A	69799	70799	65156U	See note 23
R301A	592A / 598A	69799	70799	65156U	See note 23
R301B	592A / 598A	69799	70799	65156U	See note 23
R301C	592A / 598A	69799	70799	65156U	See note 23
R302	592A / 598A	69799	70799	65156U	See note 23
R310	672 / 681A	69789	70789	65283U	
R320	592A / 598A	69799	70799	65156U	See note 23
R320P	592A / 598A	69799	70799	65156U	See note 23
R321	592A / 598A	69799	70799	65156U	See note 23
R330	592A / 598A	69799	70799	65156U	See note 23
R355	592A / 598A	69799	70799	65156U	See note 23
R362	592A / 598A	69799	70799	65156U	See note 23
R380	592A / 598A	69799	70799	65156U	See note 23
R390	592A / 598A	69799	70799	65156U	See note 23
RD	592A / 598A	69799	70799	65156U	See note 23
RDD	592A / 598A	69799	70799	65156U	See note 23
RDF	592A / 598A	69799	70799	65156U	See note 23
RDP	592A / 598A	69799	70799	65156U	See note 23
RHA	592A / 598A	69799	70799	65156U	See note 23
RHDA	592A / 598A	69799	70799	65156U	See note 23
RHR	592A / 598A	69799	70799	65156U	See note 23
RL170	592A / 598A	69799	70799	65156U	See note 23
RL170	592A / 594A	69799	70799	65156U	See note 23
RL172	592A / 598A	69799	70799	65156U	See note 23
RS13120	33462 / 33287	69785	-	65111U	
RS15120	33462 / 33287	69785	-	65111U	
RS15125	33462 / 33287	69785	-	65111U	
RS15210	33462 / 33287	69785	-	65111U	
RS16140	47620 / 47678	69794	70794	65152U	See note 1
RS16140	572 / 582	69795	-	-	

NOTES:

1. Use 65024U for GM application. Remove OEM seal spacer.
23. Use 69799 / 65156U when there is ABS interference.

TRUCK DRIVE AXLE APPLICATIONS

MANUFACTURER AXLE MODEL OR CODE	INNER BEARING NUMBERS	STANDARD SERVICE	SEVERE SERVICE	UNITIZED	COMMENTS
------------------------------------	--------------------------	---------------------	-------------------	----------	----------

MERITOR/ROCKWELL (Continued)

RS17140	493 / 495AX	69711	-	-	
RS17140	47620 / 47678	69794	70794	65152U	See note 1
RS17141	47620 / 47678	69794	70794	65152U	See note 1
RS17220	493 / 495AX	69711	-	-	
RS17220	47620 / 47678	69794	70794	65152U	See note 1
RS20145	592A / 598A	69799	70799	65156U	See note 23
RS20230	592A / 598A	69799	70799	65156U	See note 23
RS21145	592A / 594A	69799	70799	65156U	See note 23
RS23160	592A / 594A	69799	70799	65156U	See note 23
RS23160	592A / 598A	69799	70799	65156U	See note 23
RS23180	592A / 594A	69799	70799	65156U	See note 23
RS23180	592A / 598A	69799	70799	65156U	See note 23
RS23240	592A / 594A	69799	70799	65156U	See note 23
RS23240	592A / 598A	69799	70799	65156U	See note 23
RS30180	772 / 782	-	-	-	
RT140	592A / 598A	69799	70799	65156U	See note 23
RT141	592A / 598A	69797	-	65184U	
RT170 After Aug 1981	592A / 598A	69799	70799	65156U	See note 23
RT240	592A / 598A	69799	70799	65156U	See note 23
RT241	592A / 598A	69799	70799	65156U	See note 23
RT243	592A / 594A	69791	70791	65172U	
RT265	592A / 598A	69799	70799	65156U	See note 23
RT340	592A / 598A	69799	70799	65156U	See note 23
RT341	592A / 598A	69799	70799	65156U	See note 23
RT34145	47620 / 47678	69794	70794	65152U	See note 1
RT34145	572 / 582	69795	-	-	
RT34145P	47620 / 47678	69794	70794	65152U	See note 1
RT341P	592A / 598A	69799	70799	65156U	See note 23
RT343	592A / 598A	69799	70799	65156U	See note 23
RT345-145	47620 / 47678	69794	70794	65152U	See note 1
RT360	592A / 598A	69799	70799	65156U	See note 23
RT365	592A / 598A	69799	70799	65156U	See note 23
RT40140	592A / 598A	69799	70799	65156U	See note 23
RT40145	592A / 598A	69799	70799	65156U	See note 23
RT40-145	592A / 594A	69799	70799	65156U	See note 23
RT40145P	592A / 598A	69799	70799	65156U	See note 23
RT44145	592A / 594A	69799	70799	65156U	See note 23
RT44-145	592A / 594A	69799	70799	65156U	See note 23
RT44145P	592A / 594A	69799	70799	65156U	See note 23
RT46146P	592A / 594A	69799	70799	65156U	See note 23
RT46160	592A / 594A	69799	70799	65156U	See note 23
RT46-160	592A / 594A	69799	70799	65156U	See note 23
RT48180	592A / 594A	69799	70799	65156U	See note 23
RT48380	592A / 594A	69799	70799	65156U	See note 23
RT52-160	592A / 594A	69799	70799	65156U	See note 23
RT52180	592A / 594A	69799	70799	65156U	See note 23
RT52380	592A / 594A	69799	70799	65156U	See note 23
RT52-380	592A / 594A	69799	70799	65156U	See note 23

NOTE:

1. Use 65024U for GM application. Remove OEM seal spacer.
23. Use 69799 / 65156U when there is ABS interference.

TRUCK DRIVE AXLE APPLICATIONS

MANUFACTURER AXLE MODEL OR CODE	INNER BEARING NUMBERS	STANDARD SERVICE	SEVERE SERVICE	UNITIZED	COMMENTS
------------------------------------	--------------------------	---------------------	-------------------	----------	----------

MERITOR/ROCKWELL (Continued)

RT58-380	772 / 782	-	-	-	
S170	592A / 594A	69799	70799	65156U	See note 23
S200	752 / 758	69783	-	-	
S300	752 / 758	69783	-	-	
SBB1300	493 / 495AX		-	-	
SBD1055	493 / 495AX	69711	-	-	
SBD1500	572 / 575		-	-	
SBD1501	572 / 575		-	-	
SBD1502	572 / 575		-	-	
SBD1555	572 / 582	69795	-	-	
SBD1555A	572 / 582	69795	-	-	
SD3000	572 / 575		-	-	
SD3010	572 / 575		-	-	
SD3020	572 / 575		-	-	
SD462	592A / 598A	69799	70799	65156U	See note 23
SDD3000	572 / 575		-	-	
SDD454	572 / 575		-	-	
SDHD	33462 / 33287	69785	-	65111U	
SFD	752 / 760	69783	-	-	
SFD3020	572 / 575		-	-	
SFD450	752 / 760	69783	-	-	
SFD451	752 / 760	69783	-	-	
SFD454	752 / 760	69783	-	-	
SFD460	752 / 760	69783	-	-	
SFD4600	752 / 760	69783	-	-	
SFD461	752 / 760	69783	-	-	
SFD4640	752 / 760	69783	-	-	
SFD760	3920 / 3984	69730	-	-	
SFDD	752 / 760	69783	-	-	
SFDD3020	572 / 575		-	-	
SFDD4600	752 / 760	69783	-	-	
SFDD4640	752 / 760	69783	-	-	
SFDD4740	752 / 760	69783	-	-	
SFHD	493 / 495AX	69711	-	-	
SH	592A / 598A	69799	70799	65156U	See note 23
SHD	592A / 598A	69799	70799	65156U	See note 23
SHHD	493 / 495AX	69711	-	-	
SHP	592A / 598A	69799	70799	65156U	See note 23
SHR	592A / 598A	69799	70799	65156U	See note 23
SJHD	572 / 582	69795	-	-	
SL100	47620 / 47686	69794	70794	65152U	See note 1
SL100	572 / 582	69795	-	-	
SL100P	47620 / 47686	69794	70794	65152U	See note 1
SL340	572 / 582	69795	-	-	
SLD	572 / 582	69795	-	-	
SLDA	572 / 582	69795	-	-	
SLDD	47620 / 47686	69794	70794	65152U	See note 1
SLDD	572 / 582	69795	-	-	
SLDDA	47620 / 47686	69794	70794	65152U	See note 1
SLDDA	572 / 582	69795	-	-	

NOTE:

1. Use 65024U for GM application. Remove OEM seal spacer.
23. Use 69799 / 65156U when there is ABS interference.

TRUCK DRIVE AXLE APPLICATIONS

MANUFACTURER AXLE MODEL OR CODE	INNER BEARING NUMBERS	STANDARD SERVICE	SEVERE SERVICE	UNITIZED	COMMENTS
------------------------------------	--------------------------	---------------------	-------------------	----------	----------

MERITOR/ROCKWELL (Continued)

SLHD	47620 / 47686	69794	70794	65152U	See note 1
SLHD	572 / 582	69795	-	-	
SLHDA	47620 / 47686	69794	70794	65152U	See note 1
SLHDA	572 / 582	69795	-	-	
SLHR	47620 / 47686	69794	70794	65152U	See note 1
SLHR	572 / 582	69795	-	-	
SQ100 After Aug 1981	592A / 594A	69799	70799	65156U	See note 23
SQ100AL	672 / 681A	69789	70789	65283U	
SQ100P	592A / 598A	69799	70799	65156U	See note 23
SQ100PAL	672 / 681A	69789	70789	65283U	
SQD	592A / 598A	69799	70799	65156U	See note 23
SQDA	592A / 598A	69799	70799	65156U	See note 23
SQDD	592A / 598A	69799	70799	65156U	See note 23
SQHD	47620 / 47686	69794	70794	65152U	See note 1
SQHD	592A / 598A	69799	70799	65156U	See note 23
SQHP	592A / 598A	69799	70799	65156U	See note 23
SQR100	592A / 594A	69799	70799	65156U	See note 23
SQR100P	592A / 594A	69799	70799	65156U	See note 23
SQRHD After Aug 1981	592A / 594A	69799	70799	65156U	See note 23
SQTT335	592A / 598A	69799	70799	65156U	See note 23
SQW After Aug 1981	592A / 594A	69799	70799	65156U	See note 23
SR170 After Aug 1981	592A / 598A	69799	70799	65156U	See note 23
SR270 After Aug 1981	592A / 594A	69799	70799	65156U	See note 23
SR280 After Aug 1981	592A / 594A	69799	70799	65156U	See note 23
SRD	592A / 598A	69799	70799	65156U	See note 23
SRDD After Aug 1981	592A / 594A	69799	70799	65156U	See note 23
SRHD	592A / 598A	69799	70799	65156U	See note 23
SSHD	672 / 681A	69789	70789	65165U	See note 22
SSHD After Aug 1981	592A / 594A	69799	70799	65156U	See note 23
STD	772 / 782	-	-	-	
STDA	592A / 594A	69799	70799	65156U	See note 23
STDD	772 / 782	-	-	-	
STDDA	592A / 594A	69799	70799	65156U	See note 23
STHD	592A / 594A	69799	70799	65156U	See note 23
SU170	592A / 594A	69799	70799	65156U	See note 23
SU170	772 / 782	-	-	-	
SU270	772 / 782	-	-	-	
SU280	772 / 782	-	-	-	
SUD	752 / 760	69783	-	-	
SUDB	772 / 782	-	-	-	
SUDD	752 / 760	69783	-	-	
SUDDB	772 / 782	-	-	-	
SUDR	592A / 598A	69799	70799	65156U	See note 23
SUHD	772 / 782	-	-	-	
SW100P	672 / 681A	69789	70789	65283U	
SW3000	572 / 575	-	-	-	
SW3002	572 / 575	-	-	-	
SW3003	572 / 575	-	-	-	
SW3010	572 / 575	-	-	-	
SW3012	572 / 575	-	-	-	

NOTES:

1. Use 65024U for GM application. Remove OEM seal spacer.
22. Wheels having 6-5/16" bore use 69799 / 70799 or 65156U. Wheels having 7" bore use 69789 / 70789 or 65283U seal.
23. Use 69799 / 65156U when there is ABS interference.

TRUCK DRIVE AXLE APPLICATIONS

MANUFACTURER AXLE MODEL OR CODE	INNER BEARING NUMBERS	STANDARD SERVICE	SEVERE SERVICE	UNITIZED	COMMENTS
------------------------------------	--------------------------	---------------------	-------------------	----------	----------

MERITOR/ROCKWELL (Continued)

SW3013	572 / 575		-	-	
SW3013A	572 / 575		-	-	
SW3014	572 / 575		-	-	
SW3014A	572 / 575		-	-	
SW3020	572 / 575		-	-	
SW3022	572 / 575		-	-	
SW3456	572 / 575		-	-	
SW3456B	572 / 575		-	-	
SW3458	572 / 575		-	-	
SW3458A	572 / 575		-	-	
SW456	752 / 760	69783	-	-	
SW457	752 / 760	69783	-	-	
SW458	752 / 760	69783	-	-	
SW460	752 / 760	69783	-	-	
SWD459	752 / 760	69783	-	-	
T155	592A / 598A	69799	70799	65156U	See note 23
TD	592A / 594A	69799	70799	65156U	See note 23
TDD	592A / 594A	69799	70799	65156U	See note 23
THD	592A / 598A	69799	70799	65156U	See note 23
THR	592A / 598A	69799	70799	65156U	See note 23
TR8670	592A / 594A	69799	70799	65156U	See note 23
TR8680	592A / 594A	69799	70799	65156U	See note 23
U140	592A / 594A	69799	70799	65156U	See note 23
U170	592A / 594A	69799	70799	65156U	See note 23
U200	752 / 760	69783	-	-	
U240	592A / 594A	69799	70799	65156U	See note 23
U300	752 / 760	69783	-	-	
U340	592A / 594A	69799	70799	65156U	See note 23
UH	592A / 594A	69799	70799	65156U	See note 23
UHD	592A / 594A	69799	70799	65156U	See note 23
W200	592A / 594A	69799	70799	65156U	See note 23

MERITOR/ROCKWELL - SCHOOL BUS

B1055	493 / 495AX	69711	-	-	
BH150	493 / 495AX	69711	-	-	
C100	3920 / 3984	69730	-	-	
D100	3920 / 3984	69730	-	-	
D140	3920 / 3984	69730	-	-	
DBB1300	493 / 495AX	69711	-	-	
E100	3920 / 3984	69730	-	-	
E102	3920 / 3984	69730	-	-	
E105	3920 / 3984	69730	-	-	
E150	3920 / 3984	69730	-	-	
E155	3920 / 3984	69730	-	-	
E200	3920 / 3984	69730	-	-	
E300	3920 / 3984	69730	-	-	
E302	3920 / 3984	69730	-	-	

NOTE:

23. Use 69799 / 65156U when there is ABS interference.

TRUCK DRIVE AXLE APPLICATIONS

MANUFACTURER AXLE MODEL OR CODE	INNER BEARING NUMBERS	STANDARD SERVICE	SEVERE SERVICE	UNITIZED	COMMENTS
------------------------------------	--------------------------	---------------------	-------------------	----------	----------

MERITOR/ROCKWELL - SCHOOL BUS (Continued)

F104	33462 / 33287	69785	-	65111U	
F106	33462 / 33287	69785	-	65111U	
F145	33462 / 33287	69785	-	65111U	
F245	33462 / 33287	69785	-	65111U	
F345	33462 / 33287	69785	-	65111U	
H100	493 / 495AX	69711	-	-	
H110	493 / 495AX	69711	-	-	
H120	493 / 495AX	69711	-	-	
H140	493 / 495AX	69711	-	-	
H150	493 / 495AX	69711	-	-	
H151	493 / 495AX	69711	-	-	
H153	493 / 495AX	69711	-	-	
H156	493 / 495AX	69711	-	-	
H170	493 / 495AX	69787	-	-	
H172	47620 / 47678	69794	70794	65152U	See note 1
H173	47620 / 47678	69794	70794	65152U	See note 1
H175	493 / 495AX	69787	-	-	
H200	493 / 495AX	69711	-	-	
H240	493 / 495AX	69711	-	-	
H300 Before 1982	493 / 495AX	69711	-	-	
H301	493 / 495AX	69711	-	-	
H310	493 / 495AX	69711	-	-	
H320	493 / 495AX	69711	-	-	
H340 Before 1982	493 / 495AX	69711	-	-	
H350	493 / 495AX	69711	-	-	
H370	493 / 495AX	69711	-	-	
L155	47620 / 47678	69794	70794	65152U	See note 1
L172	47620 / 47678	69794	70794	65152U	See note 1
RS13120	33462 / 33287	69785	-	65111U	
RS15210	33462 / 33287	69785	-	65111U	
RS17140	47620 / 47678	69794	70794	65152U	See note 1
RS17220	47620 / 47678	69794	70794	65152U	See note 1

NAVISTAR INTERNATIONAL

14026	592A / 594A	69799	70799	65156U	See note 23
14027	592A / 594A	69799	70799	65156U	See note 23
14029	33462 / 33287	69785	-	65111U	
14036	47620 / 47686	69794	70794	65152U	
14039	47620 / 47686	69794	70794	65152U	
14040	592A / 594A	69799	70799	65156U	See note 23
14047	592A / 594A	69799	70799	65156U	See note 23
14051	592A / 594A	69799	70799	65156U	See note 23
14052	592A / 594A	69799	70799	65156U	See note 23
14057	592A / 594A	69799	70799	65156U	See note 23
14069	47620 / 47686	69794	70794	65152U	
14072	592A / 594A	69799	70799	65156U	See note 23
14077	592A / 594A	69799	70799	65156U	See note 23
14087	47620 / 47686	69794	70794	65152U	
14088	592A / 594A	69799	70799	65156U	See note 23
14091	592A / 594A	69799	70799	65156U	See note 23
14095	592A / 594A	69799	70799	65156U	See note 23

NOTES:

1. Use 65024U for GM application. Remove OEM seal spacer.
23. Use 69799 / 65156U when there is ABS interference.

TRUCK DRIVE AXLE APPLICATIONS

MANUFACTURER AXLE MODEL OR CODE	INNER BEARING NUMBERS	STANDARD SERVICE	SEVERE SERVICE	UNITIZED	COMMENTS
------------------------------------	--------------------------	---------------------	-------------------	----------	----------

NAVISTAR INTERNATIONAL(Continued)

14096	47620 / 47686	69794	70794	65152U	See note 1
14097	592A / 594A	69799	70799	65156U	See note 23
14119	592A / 594A	69799	70799	65156U	See note 23
14127	772 / 782	-	-	-	
14130	47620 / 47686	69794	70794	65152U	See note 1
14131	47620 / 47686	69794	70794	65152U	See note 1
14132	592A / 594A	69799	70799	65156U	See note 23
14133	47620 / 47686	69794	70794	65152U	See note 1
14186	47620 / 47686	69794	70794	65152U	See note 1
14187	33462 / 33287	69785	-	65111U	
14193	592A / 594A	69799	70799	65156U	See note 23
14194	592A / 594A	69799	70799	65156U	See note 23
14199	47620 / 47686	69794	70794	65152U	See note 1
14277	772 / 782	-	-	-	
14282	592A / 594A	69799	70799	65156U	See note 23
14298	752 / 760	69782	-	-	
14308	592A / 594A	69799	70799	65156U	See note 23
14309	592A / 594A	69799	70799	65156U	See note 23
14311	592A / 594A	69799	70799	65156U	See note 23
14315	47620 / 47686	69794	70794	65152U	See note 1
14350	592A / 594A	69799	70799	65156U	See note 23
14357	592A / 594A	69799	70799	65156U	See note 23
14369	752 / 760	69782	-	-	
14389	592A / 594A	69799	70799	65156U	See note 23
14399	592A / 594A	69799	70799	65156U	See note 23
14437	592A / 594A	69799	70799	65156U	See note 23
14465	592A / 594A	69799	70799	65156U	See note 23
14472	592A / 594A	69799	70799	65156U	See note 23
14474	592A / 594A	69799	70799	65156U	See note 23
14475	47620 / 47686	69794	70794	65152U	See note 1
14476	592A / 594A	69799	70799	65156U	See note 23
14493	47620 / 47686	69794	70794	65152U	See note 1
14494	592A / 594A	69799	70799	65156U	See note 23
14496	592A / 594A	69799	70799	65156U	See note 23
14498	47620 / 47686	69794	70794	65152U	See note 1
014ADA	33462 / 33287	69785	-	65111U	
014ADB	47620 / 47686	69794	70794	65152U	See note 1
014ADC	47620 / 47686	69794	70794	65152U	See note 1
014ADD	47620 / 47686	69794	70794	65152U	See note 1
014ADH	47620 / 47686	69794	70794	65152U	See note 1
014ARB	592A / 594A	69799	70799	65156U	See note 23
014ARC	772 / 782	-	-	-	
014ARD	772 / 782	-	-	-	
014ARE	772 / 782	-	-	-	
014ARG	592A / 594A	69799	70799	65156U	See note 23
014CDA	33462 / 33287	69785	-	65111U	
014CDB	592A / 594A	69799	70799	65156U	See note 23
014EEA	752 / 760	69782	-	-	
014GDA	47620 / 47686	69794	70794	65152U	See note 1
014GDC	592A / 594A	69799	70799	65156U	See note 23
014GEA	592A / 594A	69799	70799	65156U	See note 23
014GEB	592A / 594A	69799	70799	65156U	See note 23

NOTE:

1. Use 65024U for GM application. Remove OEM seal spacer.
23. Use 69799 / 65156U when there is ABS interference.

TRUCK DRIVE AXLE APPLICATIONS

MANUFACTURER AXLE MODEL OR CODE	INNER BEARING NUMBERS	STANDARD SERVICE	SEVERE SERVICE	UNITIZED	COMMENTS
------------------------------------	--------------------------	---------------------	-------------------	----------	----------

NAVISTAR INTERNATIONAL (Continued)

014GEC	592A / 594A	69799	70799	65156U	See note 23
014GED	592A / 594A	69799	70799	65156U	See note 23
014GEE	592A / 594A	69799	70799	65156U	See note 23
014GEH	592A / 594A	69799	70799	65156U	See note 23
014GEJ	592A / 594A	69799	70799	65156U	See note 23
014GEK	592A / 594A	69799	70799	65156U	See note 23
014GEL	592A / 594A	69799	70799	65156U	See note 23
014GRA	47620 / 47686	69794	70794	65152U	See note 1
014GRB	592A / 594A	69799	70799	65156U	See note 23
014GRC	592A / 594A	69799	70799	65156U	See note 23
014GRD	592A / 594A	69799	70799	65156U	See note 23
014GRE	592A / 594A	69799	70799	65156U	See note 23
014GRG	772 / 782	-	-	-	
014GRH	592A / 594A	69799	70799	65156U	See note 23
014GRP	592A / 594A	69799	70799	65156U	See note 23
014GRR	592A / 594A	69799	70799	65156U	See note 23
014GRS	592A / 594A	69799	70799	65156U	See note 23
RA120	3920 / 3984	69731	-	-	
RA125	3920 / 3984	69731	-	-	
RA126	3920 / 3984	69731	-	-	
RA127	33462 / 33281	-	-	-	
RA128	33462 / 33281	-	-	-	
RA129	3920 / 3984	-	-	-	
RA130	33462 / 33281	69786	-	-	
RA131	33462 / 33281	69786	-	-	
RA135	42620 / 42688	69705	-	65275U	
RA136	42620 / 42688	69705	-	65275U	
RA138	42620 / 42688	69705	-	65275U	
RA140	47620 / 47686	69794	70794	65152U	See note 1
RA143	42620 / 42688	69705	-	65275U	
RA145	42620 / 42688	69705	-	65275U	
RA146	42620 / 42688	69705	-	65275U	
RA147	42620 / 42688	69705	-	65275U	
RA149	42620 / 42688	69705	-	65275U	
RA150 Cast wheel	592A / 598	69797	-	65184U	
RA150 Disc wheel	47620 / 47686	69794	70794	65152U	See note 1
RA151	592A / 594A	69791	70791	65172U	
RA152	592A / 594A	69791	70791	65172U	
RA155	592A / 594A	69791	70791	65172U	
RA158	592A / 594A	69791	70791	65172U	
RA160	47620 / 47686	69794	70794	65152U	See note 1
RA161	47620 / 47686	69794	70794	65152U	See note 1
RA162	47620 / 47686	69794	70794	65152U	See note 1
RA163	47620 / 47686	69794	70794	65152U	See note 1
RA164	592A / 594A	69791	70791	65172U	
RA165	592A / 598	69797	-	65184U	
RA166	592A / 594A	69791	70791	65172U	
RA167	592A / 594A	69791	70791	65172U	
RA168	592A / 594A	69791	70791	65172U	
RA170	592A / 598A	69799	70799	65156U	See note 23
RA171	592A / 594A	69791	70791	65172U	
RA172	592A / 594A	69791	70791	65172U	
RA173	592A / 598A	-	-	-	

NOTE:

- 1. Use 65024U for GM application. Remove OEM seal spacer.
- 23. Use 69799 / 65156U when there is ABS interference.

TRUCK DRIVE AXLE APPLICATIONS

MANUFACTURER AXLE MODEL OR CODE	INNER BEARING NUMBERS	STANDARD SERVICE	SEVERE SERVICE	UNITIZED	COMMENTS
------------------------------------	--------------------------	---------------------	-------------------	----------	----------

NAVISTAR INTERNATIONAL (Continued)

RA174	592A / 594A	69791	70791	65172U	
RA175	752 / 760	69783	-	-	
RA178	772 / 782	-	-	-	
RA180	752 / 760	69783	-	-	
RA181	752 / 760	69783	-	-	
RA184	3920 / 3984	69731	-	-	
RA186	47620 / 47686	69794	70794	65152U	See note 1
RA187	33462 / 33281	-	-	-	
RA189	47620 / 47686	69794	70794	65152U	See note 1
RA190	592A / 598A	-	-	-	
RA191	592A / 598	69799	70799	65156U	See note 23
RA192	592A / 594A	69791	70791	65172U	
RA196	592A / 594A	69791	70791	65172U	
RA197	592A / 594A	69791	70791	65172U	
RA199	47620 / 47678	69794	70794	65152U	See note 1
RA236	42620 / 42688	69705	-	65275U	
RA241	47620 / 47686	69794	70794	65152U	See note 1
RA243	47620 / 47686	69794	70794	65152U	See note 1
RA245	47620 / 47686	69794	70794	65152U	See note 1
RA246	47620 / 47686	69794	70794	65152U	See note 1
RA250	592A / 598	69797	-	65184U	
RA251	592A / 594A	69791	70791	65172U	
RA252	592A / 594A	69791	70791	65172U	
RA255	592A / 594A	69791	70791	65172U	
RA256	592A / 594A	69791	70791	65172U	
RA257	592A / 594A	69791	70791	65172U	
RA26	3920 / 3984	69731	-	-	
RA262	47620 / 47686	69794	70794	65152U	See note 1
RA264	592A / 594A	69791	70791	65172U	
RA265	592A / 598	69797	-	65184U	
RA268 After Aug 1981	592A / 594A	69791	70791	65172U	
RA268 Before Sept 1981	592A / 598A	69799	70799	65156U	See note 23
RA269	592A / 598	69797	-	65184U	
RA270	592A / 598A	-	-	-	
RA271	592A / 594A	69791	70791	65172U	
RA272	592A / 594A	69791	70791	65172U	
RA273	592A / 598A	-	-	-	
RA274	592A / 594A	69791	70791	65172U	
RA275	752 / 760	69783	-	-	
RA276	752 / 760	69783	-	-	
RA277	47620 / 47686	69794	70794	65152U	See note 1
RA279	752 / 760	69783	-	-	
RA282	592A / 594A	69791	70791	65172U	
RA282	592A / 594A	69799	70799	65156U	See note 23
RA286	592A / 598A	-	-	-	
RA29	33462 / 33281	69786	-	-	
RA290	592A / 598A	-	-	-	
RA291	592A / 594A	69791	70791	65172U	
RA292	592A / 594A	69791	70791	65172U	
RA293	592A / 594A	69791	70791	65172U	
RA293	592A / 594	69791	70791	65172U	
RA298	752 / 760	69782	-	-	

NOTE:

- 1. Use 65024U for GM application. Remove OEM seal spacer.
- 23. Use 69799 / 65156U when there is ABS interference.

TRUCK DRIVE AXLE APPLICATIONS

MANUFACTURER AXLE MODEL OR CODE	INNER BEARING NUMBERS	STANDARD SERVICE	SEVERE SERVICE	UNITIZED	COMMENTS
------------------------------------	--------------------------	---------------------	-------------------	----------	----------

NAVISTAR INTERNATIONAL (Continued)

RA30	33462 / 33281	69786	-	-	
RA301	47620 / 47686	69794	70794	65152U	See note 1
RA302	47620 / 47686	69794	70794	65152U	See note 1
RA303	47620 / 47686	69794	70794	65152U	See note 1
RA304	47620 / 47686	69794	70794	65152U	See note 1
RA305	47620 / 47686	69794	70794	65152U	See note 1
RA306	47620 / 47686	69794	70794	65152U	See note 1
RA307	42620 / 42688	69705	-	65275U	
RA308	592A / 594	69791	70791	65172U	
RA308	592A / 594A	69799	70799	65156U	See note 23
RA309	592A / 594	69791	70791	65172U	
RA309	592A / 594A	69799	70799	65156U	See note 23
RA31	33462 / 33281	69786	-	-	
RA310	47620 / 47686	69794	70794	65152U	See note 1
RA311	47620 / 47686	69794	70794	65152U	See note 1
RA312	47620 / 47686	69794	70794	65152U	See note 1
RA313	47620 / 47686	69794	70794	65152U	See note 1
RA314	47620 / 47686	69794	70794	65152U	See note 1
RA315	47620 / 47686	69794	70794	65152U	See note 1
RA316	47620 / 47686	69794	70794	65152U	See note 1
RA317	47620 / 47686	69794	70794	65152U	See note 1
RA318	47620 / 47686	69794	70794	65152U	See note 1
RA318-1000	572 / 582	69795	-	-	
RA318-1001	572 / 582	69795	-	-	
RA318-1002	572 / 582	69795	-	-	
RA318-1003	47620 / 47686	69794	70794	65152U	See note 1
RA319	572 / 582	69795	-	-	
RA32	33462 / 33281	69786	-	-	
RA320	47620 / 47686	69794	70794	65152U	See note 1
RA321	47620 / 47686	69794	70794	65152U	See note 1
RA322	47620 / 47686	69794	70794	65152U	See note 1
RA323	592A / 598	69797	-	65184U	
RA324	592A / 598	69797	-	65184U	
RA325	592A / 598	69797	-	65184U	
RA326	592A / 598	69797	-	65184U	
RA327	592A / 598	69797	-	65184U	
RA328	47620 / 47686	69794	70794	65152U	See note 1
RA329	592A / 598A	69799	70799	65156U	See note 23
RA33	33462 / 33281	69786	-	-	
RA330	592A / 598A	69799	70799	65156U	See note 23
RA331	592A / 598A	-	-	-	
RA332	592A / 598A	69797	-	65184U	
RA333	592A / 598	69797	-	65184U	
RA334	592A / 598A	69799	70799	65156U	See note 23
RA335	592A / 598A	69799	70799	65156U	See note 23
RA336	592A / 598A	69799	70799	65156U	See note 23
RA337	592A / 598A	-	-	-	
RA338	592A / 598A	69799	70799	65156U	See note 23
RA339	592A / 598A	69799	70799	65156U	See note 23
RA340	592A / 598A	69799	70799	65156U	See note 23
RA341 Cast wheel	42620 / 42688	69705	-	65275U	
RA341 Disc wheel	47620 / 47678	69794	70794	65152U	See note 1

NOTE:

1. Use 65024U for GM application. Remove OEM seal spacer.
23. Use 69799 / 65156U when there is ABS interference.

TRUCK DRIVE AXLE APPLICATIONS

MANUFACTURER AXLE MODEL OR CODE	INNER BEARING NUMBERS	STANDARD SERVICE	SEVERE SERVICE	UNITIZED	COMMENTS
------------------------------------	--------------------------	---------------------	-------------------	----------	----------

NAVISTAR INTERNATIONAL (Continued)

RA342	592A / 594A	69799	70799	65156U	See note 23
RA343	592A / 594A	69799	70799	65156U	See note 23
RA344	592A / 598A	69799	70799	65156U	See note 23
RA345	592A / 594A	69799	70799	65156U	See note 23
RA346	572 / 582	69795	-	-	
RA347 6" Brakes	592A / 598A	-	-	-	
RA347 7" Brakes	592A / 594A	-	-	-	
RA348	592A / 594A	69791	70791	65172U	
RA348	592A / 598A	69799	70799	65156U	See note 23
RA349	592A / 594A	69791	70791	65172U	
RA349	592A / 598A	69799	70799	65156U	See note 23
RA35	42620 / 42688	69705	-	65275U	
RA350	592A / 594A	69799	70799	65156U	See note 23
RA351	47620 / 47686	69794	70794	65152U	See note 1
RA352	592A / 594A	69791	70791	65172U	
RA352	592A / 594A	69798	70798	65165U	
RA353 Before 1977	592A / 594A	69799	70799	65156U	See note 23
RA353 After 1976	592A / 594A	69799	70799	65156U	See note 23
RA354	592A / 594A	69791	70791	65172U	
RA355	592A / 594A	69791	70791	65172U	
RA356	592A / 595	69797	-	65184U	
RA357	592A / 595	69797	-	65184U	
RA358	592A / 595	69797	-	65184U	
RA359	592A / 595	69797	-	65184U	
RA36	42620 / 42688	69705	-	65275U	
RA360	47620 / 47686	69794	70794	65152U	See note 1
RA361	592A / 598	69797	-	65184U	
RA362	592A / 595	69797	-	65184U	
RA363	592A / 598A	69799	70799	65156U	See note 23
RA364	752 / 760	69783	-	-	
RA365	752 / 760	69783	-	-	
RA367	772 / 782	-	-	-	
RA368	772 / 782	-	-	-	
RA37	42620 / 42688	69705	-	65275U	
RA370	752 / 760	69783	-	-	
RA371	752 / 760	69783	-	-	
RA372	752 / 760	69783	-	-	
RA373	752 / 760	69783	-	-	
RA374	752 / 760	69783	-	-	
RA377	752 / 760	69783	-	-	
RA378	752 / 760	69783	-	-	
RA38	42620 / 42688	69705	-	65275U	
RA382	752 / 760	69783	-	-	
RA383	752 / 760	69783	-	-	
RA386	47620 / 47686	69794	70794	65152U	See note 1
RA387	592A / 594A	69791	70791	65172U	
RA388	47620 / 47686	69794	70794	65152U	See note 1
RA389 After 1976	592A / 594A	69799	70799	65156U	See note 23
RA389 Before 1977	592A / 594A	69791	70791	65172U	
RA39	47620 / 47678	69794	70794	65152U	See note 1
RA390	592A / 598	69797	-	65184U	
RA391	592A / 598	69797	-	65184U	

NOTE:

1. Use 65024U for GM application. Remove OEM seal spacer.
23. Use 69799 / 65156U when there is ABS interference.

TRUCK DRIVE AXLE APPLICATIONS

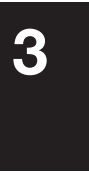
MANUFACTURER AXLE MODEL OR CODE	INNER BEARING NUMBERS	STANDARD SERVICE	SEVERE SERVICE	UNITIZED	COMMENTS
------------------------------------	--------------------------	---------------------	-------------------	----------	----------

NAVISTAR INTERNATIONAL (Continued)

RA392	592A / 598	69797	-	65184U	
RA393	592A / 598	69797	-	65184U	
RA395	592A / 595	69797	-	65184U	
RA396	572 / 582	69795	-	-	
RA397 6" Brakes	592A / 598	69799	70799	65156U	See note 23
RA397 7" Brakes	592A / 594A	69791	70791	65172U	
RA399 After 1968	592A / 598A	69799	70799	65156U	See note 23
RA399 Before 1969	592A / 594A	69522	-	-	
RA40	47620 / 47678	69794	70794	65152U	See note 1
RA40	47620 / 47678	69794	70794	65152U	See note 1
RA408	752 / 760	69783	-	-	
RA41	42620 / 42688	69705	-	65275U	
RA42	47620 / 47678	69794	70794	65152U	See note 1
RA42	47620 / 47678	69794	70794	65152U	See note 1
RA429	592A / 594A	69791	70791	65172U	
RA43	47620 / 47678	69794	70794	65152U	See note 1
RA430	592A / 594A	69798	70798	65165U	
RA430	592A / 594A	69799	70799	65156U	See note 23
RA433	592A / 598	69797	-	65184U	
RA434	592A / 598A	69799	70799	65156U	See note 23
RA437	592A / 594A	69791	70791	65172U	
RA44	47620 / 47678	69794	70794	65152U	See note 1
RA446	592A / 594A	69791	70791	65172U	
RA448	592A / 594A	69791	70791	65172U	
RA449	592A / 594A	69791	70791	65172U	
RA45	47620 / 47678	69794	70794	65152U	See note 1
RA455 After 1976	592A / 594A	69799	70799	65156U	See note 23
RA455 Before 1977	592A / 594A	69791	70791	65172U	
RA459	592A / 598A	69799	70799	65156U	See note 23
RA46	592A / 594A	69791	70791	65172U	
RA460	592A / 598A	69799	70799	65156U	See note 23
RA461	772 / 782	-	-	-	
RA463 After 1976	592A / 594A	69799	70799	65156U	See note 23
RA463 Before 1977	592A / 594A	69791	70791	65172U	
RA464 After 1976	592A / 594A	69799	70799	65156U	See note 23
RA464 Before 1977	592A / 594A	69791	70791	65172U	
RA465 After 1976	592A / 594A	69799	70799	65156U	See note 23
RA465 Before 1977	592A / 594A	69791	70791	65172U	
RA467	592A / 594A	69791	70791	65172U	
RA468	592A / 594A	69791	70791	65172U	
RA469 Before 1965	592A / 594A	69791	70791	65172U	
RA469 After 1976	592A / 594A	69799	70799	65156U	See note 23
RA47	592A / 594A	69791	70791	65172U	
RA470	47620 / 47678	69794	70794	65152U	See note 1
RA471	752 / 760	69782	-	-	
RA472 Sept. After 1981	592A / 598A	69799	70799	65156U	See note 23
RA472 Before Sept 1982	592A / 594A	69791	70791	65172U	
RA474	592A / 594A	69791	70791	65172U	
RA475	47620 / 47678	69794	70794	65152U	See note 1
RA476	592A / 594A	69799	70799	65156U	See note 23
RA48	592A / 594A	69791	70791	65172U	
RA480	752 / 760	69782	-	-	
RA482	752 / 760	69782	-	-	

NOTE:

1. Use 65024U for GM application. Remove OEM seal spacer.
23. Use 69799 / 65156U when there is ABS interference.



TRUCK DRIVE AXLE APPLICATIONS

MANUFACTURER AXLE MODEL OR CODE	INNER BEARING NUMBERS	STANDARD SERVICE	SEVERE SERVICE	UNITIZED	COMMENTS
------------------------------------	--------------------------	---------------------	-------------------	----------	----------

NAVISTAR INTERNATIONAL (Continued)

RA484	752 / 760	69782	-	-	
RA485	752 / 760	69782	-	-	
RA486	752 / 760	69782	-	-	
RA487	47620 / 47678	69794	70794	65152U	See note 1
RA488	47620 / 47678	69794	70794	65152U	See note 1
RA490	592A / 598	69797	-	65184U	
RA491	592A / 598	69797	-	65184U	
RA492	592A / 598	69797	-	65184U	
RA493	47620 / 47686	69794	70794	65152U	See note 1
RA494	592A / 594	69791	70791	65172U	
RA495	592A / 594A	69791	70791	65172U	
RA495	592A / 594A	69799	70799	65156U	See note 23
RA496	592A / 594A	69791	70791	65172U	
RA496	592A / 594A	69799	70799	65156U	See note 23
RA497	592A / 594A	69791	70791	65172U	
RA497	592A / 594A	69799	70799	65156U	See note 23
RA498	592A / 598	69797	-	65184U	
RA499	592A / 594A	69791	70791	65172U	
RA50	592A / 594A	69797	-	65184U	
RA500	752 / 760	69782	-	-	
RA55	592A / 594A	69791	70791	65172U	
RA56	592A / 594A	69791	70791	65172U	
RA57	592A / 594A	69791	70791	65172U	
RA59	592A / 594A	69791	70791	65172U	
RA60	47620 / 47678	69794	70794	65152U	See note 1
RA64	592A / 594A	69791	70791	65172U	
RA65	592A / 598	69797	-	65184U	
RA66	592A / 598A	69799	70799	65156U	See note 23
RA67	592A / 598A	-	-	-	
RA70	592A / 598A	-	-	-	
RA701	572 / 582	69795	-	-	
RA702 Front unit	592A / 598A	69799	70799	65156U	See note 23
RA702 Int and rear unit	572 / 582	69795	-	-	
RA703 Front unit	592A / 598A	69799	70799	65156U	See note 23
RA703 Int and rear unit	572 / 582	69795	-	-	
RA704	47620 / 47686	69794	70794	65152U	See note 1
RA705	592A / 598	69797	-	65184U	
RA706	572 / 582	69795	-	-	
RA707	592A / 594A	69791	70791	65172U	
RA707	592A / 594A	69799	70799	65156U	See note 23
RA71	592A / 598A	69522	-	-	
RA72	592A / 598A	69799	70799	65156U	See note 23
RA727	33462 / 33281	69786	-	-	
RA728	33462 / 33281	69786	-	-	
RA73	592A / 598A	69799	70799	65156U	See note 23
RA74	592A / 598A	69799	70799	65156U	See note 23
RA75	592A / 598A	69791	70791	65172U	
RA76	592A / 598A	69799	70799	65156U	See note 23
RA77	592A / 598A	69791	70791	65172U	
RA79	592A / 598A	69791	70791	65172U	
RA80	592A / 598A	69791	70791	65172U	

NOTE:

1. Use 65024U for GM application. Remove OEM seal spacer.
23. Use 69799 / 65156U when there is ABS interference.

TRUCK DRIVE AXLE APPLICATIONS

MANUFACTURER AXLE MODEL OR CODE	INNER BEARING NUMBERS	STANDARD SERVICE	SEVERE SERVICE	UNITIZED	COMMENTS
------------------------------------	--------------------------	---------------------	-------------------	----------	----------

NAVISTAR INTERNATIONAL (Continued)

RA81	592A / 598A	69791	70791	65172U	
RA88	592A / 598A	69799	70799	65156U	See note 23
RAGDC	592A / 594A	69799	70799	65156U	See note 23
RS25	3920 / 3984	69731	-	-	

NAVISTAR INTERNATIONAL - SCHOOL BUS

RA146	47620 / 47678	69794	70794	65152U	See note 1
RA149	47620 / 47678	69794	70794	65152U	See note 1
RA184	47620 / 47678	69794	70794	65152U	See note 1
RA186	47620 / 47678	69794	70794	65152U	See note 1
RA187	33462 / 33287	69785	-	65111U	
RA189	47620 / 47678	69794	70794	65152U	See note 1
RA199	47620 / 47678	69794	70794	65152U	See note 1
RA25	47620 / 47678	69794	70794	65152U	See note 1
RA286	47620 / 47678	69794	70794	65152U	See note 1
RA29	33462 / 33287	69785	-	65111U	
RA30	33462 / 33287	69785	-	65111U	
RA39	47620 / 47678	69794	70794	65152U	See note 1
RA42	47620 / 47678	69794	70794	65152U	See note 1
RA43	47620 / 47678	69794	70794	65152U	See note 1
RA44	47620 / 47678	69794	70794	65152U	See note 1

NEOPLAN - TRANSIT BUS

59732WX1	6535 / 6580	69751	-	-	
----------	-------------	-------	---	---	--

PETERBILT

18 Series	592A / 598	69799	70799	65156U	See note 23
19 Series	592A / 594	69799	70799	65156U	See note 23
38D	592A / 598	69799	70799	65156U	See note 11, 23
38DPC	592A / 598	69799	70799	65156U	See note 23
38DPE	592A / 598	69799	70799	65156U	See note 23
38DS	592A / 598	69799	70799	65156U	See note 23
38DSA	592A / 598	69799	70799	65156U	See note 23
44D	592A / 598	69799	70799	65156U	See note 23

ROCKWELL (See MERITOR)

SPICER (DANA)

D135S	493 / 495AX	69786	-	65111U	
G175S	493 / 495AX	69787	-	-	
G175T	493 / 495AX	69787	-	-	
G185S	47620 / 47678	69794	70794	65152U	See note 1
G185T	47620 / 47678	69794	70794	65152U	See note 1
G190S	47620 / 47678	69794	70794	65152U	See note 1
M185T	47620 / 47678	69794	70794	65152U	See note 1
M190S	47620 / 47678	69794	70794	65152U	See note 1
M190T	47620 / 47678	69794	70794	65152U	See note 1
M220S	592A / 594A	69798	70798	65165U	
M220S	592A / 598A	69799	70799	65156U	See note 23
M220T	592A / 594A	69798	70798	65165U	
M220T	592A / 598A	69799	70799	65156U	See note 23

NOTES:

1. Use 65024U for GM application. Remove OEM seal spacer.
11. On 1968 models and after, some axles may be fitted with a shoulder bushing, 67007. This bushing is not included in 69799 or 70799 kit or with 65156U seal. This bushing does not have to be replaced if it is not damaged.
23. Use 69799 / 65156U when there is ABS interference.

TRUCK DRIVE AXLE APPLICATIONS

MANUFACTURER AXLE MODEL OR CODE	INNER BEARING NUMBERS	STANDARD SERVICE	SEVERE SERVICE	UNITIZED	COMMENTS
------------------------------------	--------------------------	---------------------	-------------------	----------	----------

VOLVO HEAVY TRUCK

17121	47620 / 47688	69794	70794	65152U	See note 1
17221	47620 / 47688	69794	70794	65152U	See note 1
18201	672 / 681A	69789	70789	65283U	
18221	672 / 681A	69789	70789	65283U	
19121	672 / 681A	69789	70789	65283U	
19221	672 / 681A	69789	70789	65283U	
26121	672 / 683	69789	70789	65283U	
26121	592A / 598A	69799	70799	65156U	See note 23
35327	752 / 760	69782	-	-	
35327	752 / 760	69782	-	-	
106C	492 / 495AX	69711	-	-	
106CE	492 / 495AX	69711	-	-	
108C	572 / 582	69795	-	-	
109C	33462 / 33287	69785	-	65111U	
116C	3920 / 3984	69730	-	-	
118C	493 / 495AX	69711	-	-	
124C	592A / 598A	69799	70799	65156U	See note 23
124CL	592A / 598A	69799	70799	65156U	See note 23
125C	592A / 598A	69799	70799	65156U	See note 23
130C	592A / 598A	69799	70799	65156U	See note 23
132C	592A / 598A	69799	70799	65156U	See note 23
133C	592A / 598A	69799	70799	65156U	See note 23
134C	672 / 681A	69789	70789	65283U	
134CL	372 / 381A	69789	70789	65283U	
136C	493 / 495AX	69711	-	-	
137C	592A / 598A	69799	70799	65156U	See note 23
138C	572 / 582	69795	-	-	
140C	592A / 598A	69799	70799	65156U	See note 23
143C	592A / 598A	69799	70799	65156U	See note 23
144C	3920 / 3984	69730	-	-	
145C	3920 / 3984	69730	-	-	
170C	592A / 598A	69799	70799	65156U	See note 23
189C	372 / 381A	69789	70789	65283U	
199C	372 / 381A	69789	70789	65283U	
206C	493 / 495AX	69711	-	-	
208C	572 / 582	69795	-	-	
211C	592A / 598A	69799	70799	65156U	See note 23
213C	752 / 760	69783	-	-	
214C	752 / 760	69783	-	-	
215C	592A / 598A	69799	70799	65156U	See note 23
216C	3920 / 3984	69730	-	-	
223C	47620 / 47686	69794	70794	65152U	See note 1
225C	592A / 598A	69799	70799	65156U	See note 23
23121 After Sept 1981	592A / 594A	69799	70799	65156U	See note 23
232C	592A / 598A	69799	70799	65156U	See note 23
233C	672 / 681A	69789	70789	65283U	
23421 After Aug 1981	592A / 594A	69799	70799	65156U	See note 23
235C	672 / 681A	69789	70789	65283U	
237C	592A / 598A	69799	70799	65156U	See note 23
238C	572 / 582	69795	-	-	

NOTES:

1. Use 65024U for GM application. Remove OEM seal spacer.
22. Hubs having 6-5/16" bore use 69799 / 70799 or 65156U. Hubs having 7" bore use 69789 / 70789 or 65283U seal.
23. Use 69799 / 65156U when there is ABS interference.

TRUCK DRIVE AXLE APPLICATIONS

MANUFACTURER AXLE MODEL OR CODE	INNER BEARING NUMBERS	STANDARD SERVICE	SEVERE SERVICE	UNITIZED	COMMENTS
------------------------------------	--------------------------	---------------------	-------------------	----------	----------

VOLVO HEAVY TRUCK (Continued)

239C	592A / 598A	69799	70799	65156U	See note 23
240C	752 / 760	69783	-	-	
245C	592A / 598A	69799	70799	65156U	See note 23
26121 After Aug 1981	592A / 594A	69799	70799	65156U	See note 23
282C	592A / 598	69797	-	65184U	
289C	592A / 598	69797	-	65184U	
292C	592A / 598	69797	-	65184U	
293C	592A / 598	69797	-	65184U	
294C	592A / 598	69797	-	65184U	
295D	592A / 598	69797	-	65184U	
306C	493 / 495AX	69711	-	-	
308C	572 / 582	69795	-	-	
309C	33462 / 33287	69785	-	65111U	
311C	672 / 681A	69789	70789	65283U	See note 22
311C	592A / 598A	69799	70799	65156U	See note 22, 23
312C	752 / 760	69783	-	-	
315C	592A / 598A	69799	70799	65156U	See note 23
316C	3920 / 3984	69730	-	-	
317C	3920 / 3984	69731	-	-	
318C	47620 / 47688	69705	-	65275U	
319C	47620 / 47688	69794	70794	65152U	See note 1
319C	5735 / 5760	69794	70794	65152U	See note 1
320C	592A / 598	69797	-	65184U	
321C	592A / 598	69797	-	65184U	
322C	672 / 681A	69789	70789	65283U	
322CL	47620 / 47688	69794	70794	65152U	See note 1
323C	47620 / 47688	69794	70794	65152U	See note 1
323C	5735 / 5760	69794	70794	65152U	See note 1
325C	592A / 598A	69799	70799	65156U	See note 23
327C	592A / 598A	69797	-	65184U	
328C	592A / 594	69791	70791	65172U	
328CB	592A / 594	69791	70791	65172U	
329C	592A / 598	69797	-	65184U	
330C	592A / 594	69791	70791	65172U	
333C	672 / 681A	69789	70789	65283U	
333C	592A / 598A	69799	70799	65156U	See note 23
333TC	592A / 598A	69799	70799	65156U	See note 23
333TCL	592A / 598A	69799	70799	65156U	See note 23
335C	672 / 681A	69789	70789	65283U	
335C	592A / 598A	69799	70799	65156U	See note 23
335CL	672 / 681A	69789	70789	65283U	

NOTES:

1. Use 65024U for GM application. Remove OEM seal spacer.
22. Hubs with 6-5/16" bore use 69799 / 70799 or 65156U. Hubs with 7" bore use 69789 / 70789 or 65283U seal.
23. Use 69799 / 65156U when there is ABS interference.

3



TRUCK DRIVE AXLE APPLICATIONS

MANUFACTURER AXLE MODEL OR CODE	INNER BEARING NUMBERS	STANDARD SERVICE	SEVERE SERVICE	UNITIZED	COMMENTS
------------------------------------	--------------------------	---------------------	-------------------	----------	----------

VOLVO HEAVY TRUCK (Continued)

336C	493 / 495AX	69711	-	-	
337C	592A / 598A	69799	70799	65156U	See note 23
338C	572 / 582	69795	-	-	
339C	672 / 681A	69789	70789	65283U	
340C	592A / 598A	69799	70799	65156U	See note 23
341C	47620 / 47688	69705	-	65275U	
342C	493 / 495AX	69711	-	-	
343C	3920 / 3984	69730	-	-	
344C	672 / 681A	69789	70789	65283U	See note 22
344C	592A / 598A	69799	70799	65156U	See note 22, 23
345C	672 / 681A	69789	70789	65283U	
345C	592A / 598A	69799	70799	65156U	See note 23
346C	3920 / 3984	69730	-	-	
349C	592A / 598A	69797	-	65184U	
349C Disc wheels only	592A / 598	69797	-	65184U	
34D	47620 / 47686	69794	70794	65152U	See note 1
350C Disc wheels only	592A / 598	69797	-	65184U	
351C	592A / 594	69791	70791	65172U	
351C	592A / 594A	69798	70798	65165U	
352C	592A / 594	69791	70791	65172U	
352C	592A / 594A	69798	70798	65165U	
382C	592A / 598	69797	-	65184U	
389C	672 / 681A	69789	70789	65283U	
389C	592A / 598A	69799	70799	65156U	See note 23
389TC	672 / 681A	69789	70789	65283U	
389TCL	672 / 681A	69789	70789	65283U	
38D	672 / 683	69789	70789	65283U	
38DS After Aug 1981	592A / 594A	69799	70799	65156U	See note 23
400C	672 / 681A	69789	70789	65283U	
400C	5735 / 5760	69794	70794	65152U	See note 1
401C	752 / 760	69783	-	-	
401C	672 / 681A	69789	70789	65283U	
402C	42620 / 42688	69705	-	65275U	
403C	493 / 495AX	69711	-	-	
404C	752 / 760	69783	-	-	
404C	672 / 681A	69789	70789	65283U	
405C	572 / 575		-	-	
405C	572 / 575		-	-	
406C	572 / 582	69795	-	-	
407C	47620 / 47686	69794	70794	65152U	See note 1
408C	572 / 575		-	-	
408C	572 / 582	69795	-	-	
409C	752 / 760	69783	-	-	
409C	672 / 681A	69789	70789	65283U	
409CA	752 / 760	69783	-	-	
410CA	752 / 760	69783	-	-	
411C	572 / 582	69795	-	-	
412C	592A / 598A	69799	70799	65156U	See note 23
413C	672 / 681A	69789	70789	65283U	
413C	592A / 598A	69799	70799	65156U	See note 23
414C	592A / 598A	69799	70799	65156U	See note 23
415C	493 / 495AX	69711	-	-	
415C	752 / 760	69783	-	-	
415C	672 / 681A	69789	70789	65283U	

NOTES:

1. Use 65024U for GM application. Remove OEM seal spacer.
2. Hubs with 6-5/16" bore use 69799 / 70799 or 65156U. Hubs with 7" bore use 69789 / 70789 or 65283U seal.
3. Use 69799 / 65156U when there is ABS interference.

TRUCK DRIVE AXLE APPLICATIONS

MANUFACTURER AXLE MODEL OR CODE	INNER BEARING NUMBERS	STANDARD SERVICE	SEVERE SERVICE	UNITIZED	COMMENTS
------------------------------------	--------------------------	---------------------	-------------------	----------	----------

VOLVO HEAVY TRUCK (Continued)

417C	672 / 681A	69789	70789	65283U	
417C	592A / 598A	69799	70799	65156U	See note 23
418C	572 / 582	69795	-	-	
41C	3920 / 3984	69730	-	-	
41CL	3920 / 3984	69730	-	-	
420C	672 / 681A	69789	70789	65283U	
420C	592A / 598A	69799	70799	65156U	See note 23
421C	672 / 681A	69789	70789	65283U	
421C	592A / 598A	69799	70799	65156U	See note 23
422C	572 / 582	69795	-	-	
423C	572 / 582	69795	-	-	
424C	592A / 598A	69799	70799	65156U	See note 23
425C	672 / 681A	69789	70789	65283U	
425C	592A / 598A	69799	70799	65156U	See note 23
426C	592A / 598	69797	-	65184U	
427C	47620 / 47686	69794	70794	65152U	See note 1
428C	752 / 760	69783	-	-	
429C	592A / 598A	69799	70799	65156U	See note 23
430C	572 / 582	69795	-	-	
431C	47620 / 47686	69794	70794	65152U	See note 1
432C	493 / 495AX	69711	-	-	
433C	592A / 598	69797	-	65184U	
434C	493 / 495AX	69711	-	-	
436C	47620 / 47686	69794	70794	65152U	See note 1
437C	592A / 598	69797	-	65184U	
438C	47620 / 47686	69794	70794	65152U	See note 1
439C	592A / 598	69797	-	65184U	
440C	672 / 681A	69789	70789	65283U	
44D	672 / 681A	69789	70789	65283U	
450C	672 / 681A	69789	70789	65283U	
450C	572 / 582	69795	-	-	
450C	592A / 598A	69799	70799	65156U	See note 23
451C	672 / 681A	69789	70789	65283U	
451C	592A / 598A	69799	70799	65156U	See note 23
452C	672 / 681A	69789	70789	65283U	
452C	572 / 582	69795	-	-	
48C	3920 / 3984	69730	-	-	
50D	592A / 594	69791	70791	65172U	
66C	572 / 575		-	-	
75C	752 / 760	69783	-	-	
75C	572 / 575		-	-	
77C	752 / 760	69783	-	-	
77C	572 / 575		-	-	
77C	572 / 582	69795	-	-	
83C	752 / 760	69783	-	-	
83C	572 / 575		-	-	
83C	572 / 582	69795	-	-	
85C	752 / 760	69783	-	-	
85C	572 / 575		-	-	
85C	572 / 582	69795	-	-	

NOTE:

1. Use 65024U for GM application. Remove OEM seal spacer.
23. Use 69799 / 65156U when there is ABS interference.

TRUCK DRIVE AXLE APPLICATIONS

MANUFACTURER AXLE MODEL OR CODE	INNER BEARING NUMBERS	STANDARD SERVICE	SEVERE SERVICE	UNITIZED	COMMENTS
------------------------------------	--------------------------	---------------------	-------------------	----------	----------

VOLVO HEAVY TRUCK (Continued)

87C	572 / 582	69795	-	-	
88C	592A / 598	69797	-	65184U	
88CF	592A / 598	69797	-	65184U	
88CG	592A / 598	69797	-	65184U	
89C	592A / 598	69797	-	65184U	
89CA	592A / 598	69797	-	65184U	
89cb	592A / 598	69797	-	65184U	
89cc	592A / 598	69797	-	65184U	
89cd	592A / 598	69797	-	65184U	
89cf	592A / 598	69797	-	65184U	
90C	752 / 760	69783	-	-	
90C	572 / 575		-	-	
90C	572 / 582	69795	-	-	
91C	752 / 760	69783	-	-	
91C	672 / 681A	69789	70789	65283U	
93C	752 / 760	69783	-	-	
93C	672 / 681A	69789	70789	65283U	
94C	752 / 760	69783	-	-	
94C	672 / 681A	69789	70789	65283U	
95C	493 / 495AX	69711	-	-	
96C	592A / 598	69797	-	65184U	
96CA	592A / 598	69797	-	65184U	
96CB	592A / 598	69797	-	65184U	
96CI	592A / 598	69797	-	65184U	
96CK	592A / 598	69797	-	65184U	
D340	47620 / 47686	69794	70794	65152U	See note 1
D380	672 / 681A	69789	70789	65283U	
D400 After Aug 1981	672 / 681A	69789	70789	65283U	
DDP480P After Aug 1981	592A / 594A	69799	70799	65156U	See note 23
DP480P After Aug 1981	592A / 594A	69799	70799	65156U	See note 23
DS440P After Aug 1981	592A / 594A	69799	70799	65156U	See note 23
DS480P After Aug 1981	592A / 598A	69799	70799	65156U	See note 23
DT440P After Aug 1981	592A / 594A	69799	70799	65156U	See note 23
EV85 13 Ton	672 / 683	-	-	-	
R155	592A / 594A	69799	70799	65156U	See note 23
R170	592A / 594A	69799	70799	65156U	See note 23
R170 After Aug 1981	672 / 681A	69789	70789	65283U	
SFDD4640	752 / 760	69783	-	-	
SLHD	572 / 582	69795	-	-	
SQ100	592A / 594A	69799	70799	65156U	See note 23
SQHD	592A / 598A	69799	70799	65156U	See note 23
SQHD After Aug 1981	592A / 594A	69799	70799	65156U	See note 23
SQHP	592A / 598A	69799	70799	65156U	See note 23
SQHP After Aug 1981	592A / 594A	69799	70799	65156U	See note 23
SRDD	592A / 598A	69799	70799	65156U	See note 23
SRDD After Aug 1981	592A / 594A	69799	70799	65156U	See note 23
SSHDD	592A / 598A	69799	70799	65156U	See note 23
SSHDD After Aug 1981	592A / 594A	69799	70799	65156U	See note 23
STDDA	672 / 681A	69789	70789	65283U	
STHD	672 / 681A	69789	70789	65283U	
TS135	592A / 598A	69799	70799	65156U	See note 23
TS150	592A / 598A	69799	70799	65156U	See note 23

NOTE:

1. Use 65024U for GM application. Remove OEM seal spacer.
23. Use 69799 / 65156U when there is ABS interference.

HUB CAPS



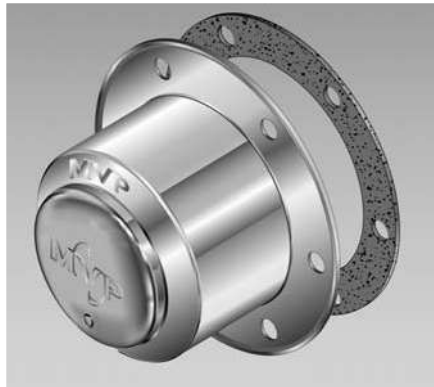
DIE-CAST ALUMINUM—Side-Fill Plug



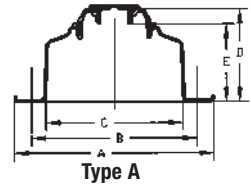
"P" AXLE THREADED—Plastic, Aluminum



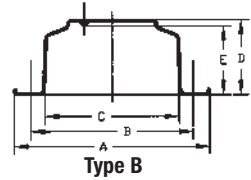
STAMPED STEEL FOR OIL—Plain, Chrome



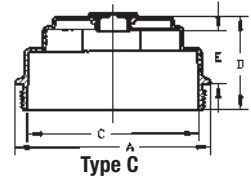
STAMPED STEEL FOR GREASE—Plain, Chrome



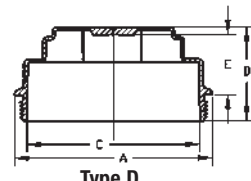
Type A



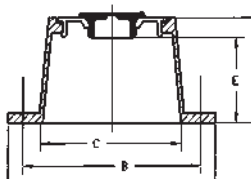
Type B



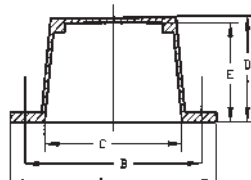
Type C



Type D



Type E



Type F

4

Triseal-MVP manufactures and supplies a comprehensive line-up of hub caps.

OEM approved designs insure exact fit and a long, trouble-free service life. Depending on the application, we provide as many as six design types. *Consult this page and the application chart for the appropriate design version for your use.*

We offer oil bath and grease applications in the following design types: Die-Cast Aluminum, "P" Axle and Stamped Steel.

Die Cast Aluminum. Oil bath applications may include a convenient side-fill plug. Engineered plastic windows allow for fast and easy oil level checks. Vented fill plugs maintain low internal pressure caused by normal heat build up. Hubodometer versions are also available for most applications.

"P" Axle Hub Caps. Threaded hub caps come in die-cast aluminum or full plastic in oil and grease, or a hubodometer version. Choose from standard or chrome finish, with or without side-fill plug or vented plug.

Stamped Steel Hub Caps. Available in oil bath and grease applications, these models feature great appearance, durability and cost effectiveness. They come in both chrome plated (duplex nickel-plated chrome) and tough powder coat plastic finishes. High-tech plastic window remains clear and is shatter resistant.

All of our stamped steel hub caps pass the 200 hour CASS (salt spray) test.

Made in the U.S.A.

HUB CAPS

HUB CAPS BY BOLT CIRCLE

HUB CAP NUMBER	STYLE	APPROXIMATE DIMENSIONS IN INCHES							USE WITH GASKET
		FLANGE O.D.	BOLT CIRCLE	NUMBER OF BOLTS	BOLT SIZE	FLANGE I.D.	OUTSIDE HEIGHT	INSIDE HEIGHT	
		A	B			C	D	E	
64065	E	4.25	3.63	4	0.312	2.61	2.00	1.40	61040
64024	E	5.20	4.50	6	0.312	3.46	2.69	2.22	61024
64024G	F	5.25	4.50	6	0.312	3.46	2.33	1.86	61024
64018	E	5.79	5.00	4	0.375	4.09	3.25	2.70	61018
64028	E	5.94	5.00	4	0.250	4.09	3.25	2.70	61028
64029	E	5.87	5.00	4	0.250	4.12	1.98	1.50	61028
64042	E	5.87	5.13	6	0.312	4.12	1.87	1.40	61041
64066	E	5.94	5.13	6	0.312	4.09	3.25	2.70	61041
64096	E	5.68	5.13	6	0.312	4.00	2.50	2.02	61041
64002	E	5.94	5.25	3	0.375	4.09	3.25	2.70	61002
64014	E	6.40	5.50	3	0.375	4.56	3.00	2.53	61014
64013	E	6.38	5.50	5	0.312	4.56	2.99	1.97	61067
64013G	B	6.63	5.50	5	0.312	4.54	2.50	2.06	62213
64013H	*	6.40	5.50	5	0.312	4.50	2.50	1.97	61067
64013S	A	6.63	5.50	5	0.312	4.54	3.08	2.09	62213
64006	E	6.40	5.50	6	0.375	4.56	2.99	2.50	61006
64009	E	6.40	5.50	6	0.312	4.56	2.99	2.50	61067
64009G	B	6.63	5.50	6	0.312	4.54	2.50	2.06	62209
64009H	*	6.40	5.50	6	0.312	4.56	2.99	2.50	61067
64009S	A	6.63	5.50	6	0.312	4.54	3.08	2.09	62209
64046	E	6.56	5.50	6	0.312	4.56	1.68	1.21	61067
64249	E	6.38	5.50	6	0.312	4.41	2.21	1.74	61067
64049	E	6.38	5.56	3	0.312	3.75	3.00	2.53	61042
64012	E	6.40	5.75	6	0.312	4.56	3.00	2.20	61012
64025	E	6.56	5.88	6	0.312	3.87	1.36	0.89	61025
64092	E	6.57	5.88	6	0.312	4.56	1.68	1.20	61025
64059	E	7.15	6.00	6	0.312	5.12	3.50	2.89	61056
64034	E	7.25	6.63	6	0.250	5.25	2.01	1.52	61034
64085G	B	7.50	6.75	6	0.312	5.38	2.50	1.88	61085

SCREW ON HUB CAPS

HUB CAP NUMBER	STYLE	APPROXIMATE DIMENSIONS IN INCHES							USE WITH GASKET
		FLANGE O.D.	BOLT CIRCLE	NUMBER OF BOLTS	BOLT SIZE	FLANGE I.D.	OUTSIDE HEIGHT	INSIDE HEIGHT	
		A	B			C	D	E	
64075A	C	6.42	6.25 X 8 TPI MALE			5.87	2.15	1.75	61077
64075AH	*	6.48	6.25 X 8 TPI MALE			5.87	2.28	1.88	61077
64075G	D	6.48	6.25 X 8 TPI MALE			5.87	2.28	1.88	61077
64075P	C	6.48	6.25 X 8 TPI MALE			5.87	2.10	1.88	61077
64075PH	*	6.48	6.25 X 8 TPI MALE			5.87	1.95	1.11	61077

* Hubodometer style caps not shown.

CAUTION! Dimensions shown are nominal sizes listed for part identification only and are not intended for design purposes.

4

HUB CAPS

HUB CAPS BY PART NUMBER

HUB CAP NUMBER	STYLE	APPROXIMATE DIMENSIONS IN INCHES							USE WITH GASKET
		FLANGE O.D.	BOLT CIRCLE	NUMBER OF BOLTS	BOLT SIZE	FLANGE I.D.	OUTSIDE HEIGHT	INSIDE HEIGHT	
		A	B			C	D	E	
64002	E	5.94	5.25	3	0.375	4.09	3.25	2.70	61002
64006	E	6.40	5.50	6	0.375	4.56	2.99	2.50	61006
64009	E	6.40	5.50	6	0.312	4.56	2.99	2.50	61067
64009G	B	6.63	5.50	6	0.312	4.54	2.50	2.06	62209
64009H	*	6.40	5.50	6	0.312	4.56	2.99	2.50	61067
64009S	A	6.63	5.50	6	0.312	4.54	3.08	2.09	62209
64012	E	6.40	5.75	6	0.312	4.56	3.00	2.20	61012
64013	E	6.38	5.50	5	0.312	4.56	2.99	1.97	61067
64013G	B	6.63	5.50	5	0.312	4.54	2.50	2.06	62213
64013H	B	6.40	5.50	5	0.312	4.50	2.50	1.97	61067
64013S	A	6.63	5.50	5	0.312	4.54	3.08	2.09	62213
64014	E	6.40	5.50	3	0.375	4.56	3.00	2.53	61014
64018	E	5.79	5.00	4	0.375	4.09	3.25	2.70	61018
64024	E	5.20	4.50	6	0.312	3.46	2.69	2.22	61024
64024G	F	5.25	4.50	6	0.312	3.46	2.33	1.86	61024
64025	E	6.56	5.88	6	0.312	3.87	1.36	0.89	61025
64028	E	5.94	5.00	4	0.250	4.09	3.25	2.70	61028
64029	E	5.87	5.00	4	0.250	4.12	1.98	1.50	61028
64034	E	7.25	6.63	6	0.250	5.25	2.01	1.52	61034
64042	E	5.87	5.13	6	0.312	4.12	1.87	1.40	61041
64046	E	6.56	5.50	6	0.312	4.56	1.68	1.21	61067
64049	E	6.38	5.56	3	0.312	3.75	3.00	2.53	61042
64059	E	7.15	6.00	6	0.312	5.12	3.50	2.89	61056
64065	E	4.25	3.63	4	0.312	2.61	2.00	1.40	61040
64066	E	5.94	5.13	6	0.312	4.09	3.25	2.70	61041
64075A	C	6.42	6.25 X 8 TPI MALE			5.87	2.15	1.75	61077
64075AH	C	6.48	6.25 X 8 TPI MALE			5.87	2.28	1.88	61077
64075G	D	6.48	6.25 X 8 TPI MALE			5.87	2.28	1.88	61077
64075P	C	6.48	6.25 X 8 TPI MALE			5.87	2.10	1.88	61077
64075PH	C	6.48	6.25 X 8 TPI MALE			5.87	1.95	1.11	61077
64085G	F	7.50	6.75	6	0.312	5.38	2.50	1.88	61085
64092	E	6.57	5.88	6	0.312	4.56	1.68	1.20	61025
64096	E	5.68	5.13	6	0.312	4.00	2.50	2.02	61041
64249	E	6.38	5.50	6	0.312	4.41	2.21	1.74	61067

4

UNIVERSAL HUBCAP FILL PLUGS

64999		STANDARD UNIVERSAL FILL PLUG FITS MOST HUB CAPS	
64999B		BULK PACK OF 300 OF THE ABOVE	
64998		PLUG FOR 64092	

WINDOW KITS FOR COMPETITOR'S HUB CAPS

Stemco

74009	340-4009
74009H	343-4009
74092	340-4092
74024	340-4024

* Hubodometer style caps not shown in diagrams.

CAUTION! Dimensions shown are nominal sizes listed for part identification only and are not intended for design purposes.

HUB CAP INTERCHANGE

4

PART NUMBER	MFG.	HUB CAP	PART NUMBER	MFG.	HUB CAP	PART NUMBER	MFG.	HUB CAP
027074736	White Truck	64029	13086	Dana	64249C	1788	CR	64009S
027074737	White Truck	64092	13105	Dana	64011	1790	CR	64046
100W2	Reo	64024	1311	CR	64009S	1798	CR	64059
102W2	Reo	64028	13128	Dana	64054	1800 (2)	CR	64009H
1032417	White	64024	13136	Dana	64011	1801 (2)	CR	64013H
1032418	White	64066	13148	Dana	64031	1803	CR	64049
1032419	White	64049	13163	Dana	64064	1808	CR	64065
10359	Victor	64075AH	13168	Dana	64101	1811	CR	64024
104W2	Reo	64042	1502	CR	64092	1827	CR	64002
105W2	Reo	64065	1503	CR	64046	1842	CR	64013S
107W2	Reo	64092	1504	CR	64049	1843	CR	64009S
108W2	Reo	64249	1511	CR	64024	1865	CR	64096
108W2	Reo	64026	1515	CR	64028	1869	CR	64092
109W2	Reo	64009S	1527	CR	64002	1870	CR	64034
109W2	Reo	64009S	1536	CR	64012	1881	CR	64028
1227	CR	64002	1542	CR	64013S	1890	CR	64006
1229	CR	64014	1543	CR	64009S	1898	CR	64059
1232	CR	64013S	15517706	GMC	64024	18TN396	Oshkosh	64075P
1238	CR	64011	155529674	GMC	64042	18TN397	Oshkosh	64009S
1282	CR	64075P	1565	CR	64042	1904	CR	64049C
13000	Dana	64002	1569	CR	64092	1908	CR	64065
13003	Dana	64009S	1570	CR	64034	1911	CR	64024C
13003 (2)	Victor	64009H	1598	CR	64059	1929	CR	64014
13006	Dana	64012	1600	CR	64009S	1936	CR	64012
13007	Dana	64013	1601	CR	64013S	1998	CR	64059
13007 (2)	Victor	64013H	1608	CR	64065	19QJ238	Mack	64025
13008	Dana	64014	1623	CR	64042	19QJ245	Mack	64031
13012	Dana	64028	1627	CR	64002	19QJ258A	Mack	64025
13017	Dana	64024	16279	Trailmobile	64009S	19QJ261	Mack	64009S
13019	Dana	64028	1630	CR	64009S	19QJ29309	Mack	64024
13020	Dana	64028	16374	Trailmobile	64013S	19QJ324	Mack	64098
13023	Dana	64034	1657081C91	Navistar	64249	19QJ328	Mack	64098
13024	Dana	64042	1702	CR	64092	19QJA258A	Mack	64025
13026	Dana	64046	1703	CR	64249	19QJA261	Mack	64009S
13026	Victor	64046C	1704	CR	64049	19QJA29302	Mack	64024
13035	Dana	64059	1708	CR	64065	19QJA29304	Mack	64009S
13046	Dana	64092	1711	CR	64024	19QJA29305	Mack	64009S
13055	Dana	64092	1715	CR	64028	19QJA29306	Mack	64025
13058	Dana	64006	1723	CR	64066	19QJA29307	Mack	64009S
13059	Dana	64075PH	1727	CR	64002	19QJA29309	Mack	64024
13059	Victor	64075A	1729	CR	64014	19QJA310	Mack	64025
13064	Dana	64065	1736	CR	64012	19QJA311	Mack	64031
13067	Dana	64049	1740274	White	64092	19QJA312	Mack	64049
13072	Dana	64249	1741	CR	64059	19QJA313	Mack	64009S
13072	Victor	64249C	1742	CR	64013S	19QJA317	Mack	64024
13073	Dana	64009S	1743	CR	64009S	19QJA318A	Mack	64098
13073	Victor	64009C	1765	CR	64042	19QJA319	Mack	64009S
13075	Dana	64066	1769	CR	64092	19QJA324	Mack	64098
13076	Dana	64075A	1770	CR	64034	19QJA324P2	Mack	64092
13076	Victor	64075AC	1771	CR	64042	19QJA41SR32	Mack	64009S
13077	Dana	64096	1772	CR	64009S	19TN513	Oshkosh	64066
13078 (2)	Dana	64009H	1775	CR	64024	2002863	GMC	64049
13079 (2)	Dana	64013H	1776	CR	64013S	2208N768	Meritor	64059
13080	Dana	64075AH	1777	CR	64059	2232232	Heil	64009S
13080	Victor	64075PH	1778	CR	64002	22B255814	Heil	64009S
13081	Dana	64075PH	1780	CR	64092	22B255816	Heil	64009S
13082	Dana	64009C	1781	CR	64029	22B255820	Heil	64013S
13083	Dana	64013C	1781S	CR	64029	22B289714	Heil	64009S
13084	Dana	64046C	1783	CR	64046	22B293314	Heil	64009S
13085	Dana	64075AC	1787	CR	64092	244415	GMC	64009S

(2) Hubodometer mount cap.



HUB CAP INTERCHANGE

PART NUMBER	MFG.	HUB CAP	PART NUMBER	MFG.	HUB CAP	PART NUMBER	MFG.	HUB CAP
2444414	GMC	64066	3434020	Stemco	64014	401627	Midland-Barrier	64028
2444415	GMC	64009S	3434024	Stemco	64024	401628	Midland-Barrier	64028
2455043	GMC	64249	3434025	Stemco	64025	401630	Midland-Barrier	64024
2492116	GMC	64092	3434026	Stemco	64029	401631	Midland-Barrier	64024
27003942	White	64009S	3434028	Stemco	64028	401632	Midland-Barrier	64024
27023479	White	64009S	3434031	Stemco	64031	401633	Midland-Barrier	64024
27074738	White	64249	3434034	Stemco	64034	401635	Midland-Barrier	64065
27074739	White	64009S	3434036	Stemco	64092	401636	Midland-Barrier	64059
27134964	White	64009S	3434042	Stemco	64042	401637	Midland-Barrier	64059
3106298	White	64012	3434046	Stemco	64009	401638	Midland-Barrier	64059
314755C91	Navistar	64066	3434049	Stemco	64049	401640	Midland-Barrier	64034
318345C91	Navistar	64049	3434059	Stemco	64059	401641	Midland-Barrier	64034
32001	Trailmobile	64075P	3434065	Stemco	64065	401645	Midland-Barrier	64092
3262W179	Meritor	64002	3434066	Stemco	64066	401646	Midland-Barrier	64025
3400044 (1)	Stemco	64024G	3434075	Stemco	64075P	401647	Midland-Barrier	64092
3404002	Stemco	64002	3434080	Stemco	64059	401650	Midland-Barrier	64012
3404006	Stemco	64006	3434092	Stemco	64092	401655	Midland-Barrier	64024
3404008	Stemco	64009S	3434095	Stemco	64009	401663	Midland-Barrier	64009S
3404009	Stemco	64009S	3434098	Stemco	64098	401688	Midland-Barrier	64009S
3404011	Stemco	64011	3434122	Stemco	64009	401823	Midland-Barrier	64009S
3404012	Stemco	64012	3434141	Stemco	64024	401831	Midland-Barrier	64024
3404013	Stemco	64013S	3434149	Stemco	64249	401877	Midland-Barrier	64059
3404014	Stemco	64014	3434249	Stemco	64249	401883	Midland-Barrier	64059
3404015	Stemco	64015	3464009	Stemco	64009C	401889	Midland-Barrier	64059
3404018	Stemco	64018	3464024	Stemco	64024	411604	Midland-Barrier	64009S
3404019	Stemco	64002	3464029	Stemco	64029	411605	Midland-Barrier	SB64046
3404024	Stemco	64024	3464034	Stemco	64034	411608	Midland-Barrier	64013S
3404028	Stemco	64028	3464036	Stemco	64092	411610	Midland-Barrier	64014
3404029	Stemco	64029	3474009 (2)	Stemco	64009H	411616	Midland-Barrier	64002
3404031	Stemco	64031	3474013 (2)	Stemco	64013H	411620	Midland-Barrier	64066
3404034	Stemco	64034	3474075 (2)	Stemco	64075PH	411622	Midland-Barrier	64042
3404036	Stemco	64092	3595990	Stemco	64999	411625	Midland-Barrier	64029
3404037	Stemco	64037	373468	GMC	64049	411627	Midland-Barrier	64028
3404042	Stemco	64042	383696C91	Navistar	64054	411630	Midland-Barrier	64024
3404046	Stemco	64009S	383698C91	Navistar	64059	411635	Midland-Barrier	64065
3404049	Stemco	64049	387947C91	Navistar	64009S	411640	Midland-Barrier	64034
3404065	Stemco	64065	393698C91	Navistar	64059	411644	Midland-Barrier	64092
3404066	Stemco	64066	394735C91	Navistar	64092	411650	Midland-Barrier	64012
3404075	Stemco	64075P	3948887	GMC	64037	411655	Midland-Barrier	64075P
3404092	Stemco	64092	398770	GMC	64009S	411967	Midland-Barrier	64249
3404095	Stemco	64009S	401601	Midland-Barrier	64009S	41SR28	Kenworth	64025
3404098	Stemco	64098	401602	Midland-Barrier	64009S	41SR31	Kenworth	64049
3404114	Stemco	64042	401603	Midland-Barrier	64009S	41SR31	Mack	64049
3404147	Stemco	64249	401605	Midland-Barrier	64009S	41SR32	Kenworth	64009S
3404149	Stemco	64049	401606	Midland-Barrier	64009S	41SR32	Mack	64009S
3404249	Stemco	64249	401607	Midland-Barrier	64009S	426834C1	Navistar	64065
3404249	Stemco	64249	401608	Midland-Barrier	64013S	431620R92	Navistar	64009S
3405096 (1)	Stemco	64009G	401609	Midland-Barrier	64013S	4427553	Navistar	64066
3405097 (1)	Stemco	64009G	401610	Midland-Barrier	64014	45923	Great Dane	64009S
3424009 (1)	Stemco	64009G	401612	Midland-Barrier	64009S	45924	Great Dane	64009S
3424013 (1)	Stemco	64013G	401613	Midland-Barrier	64009S	45926	Great Dane	64009S
3424024 (1)	Stemco	64024G	401615	Midland-Barrier	64009S	512936C91	Navistar	64009S
3424075 (1)	Stemco	64075G	401616	Midland-Barrier	64002	529102	CR	64028
3434002	Stemco	64002	401618	Midland-Barrier	64031	529103	CR	64066
3434006	Stemco	64006	401619	Midland-Barrier	64066	529105	CR	64013S
3434009	Stemco	64009	401620	Midland-Barrier	64066	529106T	CR	64009S
3434011	Stemco	64011	401621	Midland-Barrier	64066	529107	CR	64042
3434013	Stemco	64013	401622	Midland-Barrier	64042	529108	CR	64025
3434018	Stemco	64028	401624	Midland-Barrier	64024	529110	CR	64059
3434019	Stemco	64002	401625	Midland-Barrier	64029	529111	CR	64024

(1) Grease cap.

(2) Hubodometer mount cap.



HUB CAP INTERCHANGE

4

PART NUMBER	MFG.	HUB CAP	PART NUMBER	MFG.	HUB CAP	PART NUMBER	MFG.	HUB CAP
529112	CR	64092	86112	Trailmobile	64013S	E6HT1131BS	Ford	64009S
529136	CR	64012	86113	Trailmobile	64009S	H075	National	64075P
529140	CR	64049	862500	White Truck	64009S	HC4002	National	64002
529148	CR	64031	868860R92	Navistar	64024	HC4005	National	64059
529149	CR	64042	8873428	GMC	64024	HC4009	National	64009S
529152	CR	64059	891002	White Truck	64028	HC4011	National	64011
529178	CR	64098	891004	White Truck	64034	HC4012	National	64012
529209	CR	64034	90501014	Trailmobile	64013S	HC4013	National	64013S
529254	CR	64249	921010003	White Truck	64009S	HC4019	National	64002
529257	CR	64098	921010006	White Truck	64024	HC4024	National	64024
531984	CR	64009S	921010007	White Truck	64024	HC4025	National	64092
531985	CR	64013S	921010008	White Truck	64024	HC4028	National	64028
531986	CR	64024	921010009	White Truck	64009S	HC4029	National	64028
531987	CR	64059	921010010	White Truck	64009S	HC4031	National	64031
531988	CR	64002	921010011	White Truck	64009S	HC4034	National	64034
531989	CR	64092	921010020	Volvo / GMC	64249	HC4036	National	64092
531990	CR	64034	921010022	Volvo / GMC	64098	HC4042	National	64042
531991	CR	64028	921010031	Volvo	64009S	HC4046	National	64009S
531993	CR	64025	921010037	Volvo / GMC	64009S	HC4050	National	64096
531994	CR	64042	968191R91	Navistar	64092	HC4059	National	64059
532053	CR	64098	968191R92	Navistar	64092	HC4065	National	64065
532068	CR	64098	A13262C133	Meritor	64009S	HC4066	National	64042
532264	CR	64013S	A13262P276	Meritor	64024	HC4075	National	64075P
532265	CR	64009S	A13262P276	Meritor	64024	HC4091	National	64024
554366	Fruehauf	64002	A3262C133	Meritor	64009S	HC4092	National	64249
6400001 (2)	Stemco	64009H	A3262F214	Meritor	64049	HC4093	National	64249
6400002 (2)	Stemco	64013H	A3262F214	Meritor	64049	HC4098	National	64098
6400003 (2)	Stemco	64075H	A3262G215	Meritor	64024	HU0001A	National	64011
665692	GMC	64042	A3262G215	Meritor	64024	HU005A	National	64059
674231	GMC	64092	A3262J166	Meritor	64059	HU008A	National	64009S
680272R91	Navistar	64009S	A3262M169	Meritor	64013S	HU009A	National	64009S
680272R92	Navistar	64009S	A3262M169	Meritor	64013S	HU011A	National	64011
680391	GMC	64009S	A3262N222	Meritor	64092	HU012A	National	64012
686059	GMC	64066	A3262P276	Meritor	64024	HU013A	National	64013S
697770	GMC	64009S	A3262P276	Meritor	64024	HU014A	National	64014
698770	GMC	64009S	A3262P302	Meritor	64059	HU019A	National	64002
7001011	Trailmobile	64013S	A3262Q277	Meritor	64065	HU024A	National	64024
7001012	Trailmobile	64009S	A3262Y181	Meritor	64009S	HU028A	National	64028
7001260D	Trailmobile	64013S	AHS9960	PAI	64025	HU031A	National	64031
7001260D	Trailmobile	64013S	C9HS1131A	Ford	64092	HU034A	National	64034
7001260E	Trailmobile	64009S	C9HS1131B	Ford	64098	HU036A	National	64092
7001260E	Trailmobile	64009S	CHR1743	Freightliner	64009S	HU037A	National	64037
7001260F	Trailmobile	64015	CHR1770	Freightliner	64034	HU042A	National	64042
7001260F	Trailmobile	64015	D0HA1131R	Ford	64028	HU046A	National	64009S
7001261D	Trailmobile	64002	D0HA1131S	Ford	64065	HU065A	National	64065
7001261D	Trailmobile	64002	D0HA1131T	Ford	64028	HU066A	National	64042
742E772239	Lufkin	64009S	D0HA1131U	Ford	64024	HU110A	National	64009S
742EP49247	Lufkin	64009S	D0HA1131V	Ford	64028	HU149A	National	64049
742EP49249	Lufkin	64011	D0HZ1131A	Ford	64065	HW009A (2)	National	64009H
742EP49252	Lufkin	64013S	D0HZ1131B	Ford	64028	HWF009A (2)	National	64009H
781564C91	Navistar	64249	D0HZ1131C	Ford	64024	K3106298	White Truck	64012
781564C91	Navistar	64249	D0HZ1131D	Ford	64046	M10HK100	Dana/Spicer	64009S
781565C91	Navistar	64009S	D0HZ1131E	Ford	64098	M10HK121	Dana/Spicer	64024
858366	White Truck	64002	D0HZ1131F	Ford	64092	M10HK124	Dana/Spicer	64009S
858370	White Truck	64002	D0HZ1131G	Ford	64028	M10HK130	Dana/Spicer	64059
858379	White Truck	64013S	D0HZ1131J	Ford	64013S	M10HK171	Dana/Spicer	64009S
858381	White Truck	64024	D0HZ1131L	Ford	64009S	MST066534	Fruehauf	64075A
858387	White Truck	64042	D4HS1131AA	Ford	64009S	MST366534	Fruehauf	64075P
858389	White Truck	64025	E1HS1131AA	Ford	64098	SP108	Fruehauf	64009S
			E6HS1131BA	Ford	64009S	YDHO449X49	Fruehauf	64009S

(2) Hubodometer mount cap.



NOTES



5

TRISEAL HUBODOMETERS



5

Triseal Hubodometers are the toughest, most accurate and dependable units on the market. An exceptional design, engineered for maintenance-free operation and lower over-all costs.

First quality design and performance.

- Advanced design prevents orbiting or spinning.
- Long life gears and bushings, fewer moving parts than most other units.
- Large, easy-to-read numbers for accurate readings.
- Provides great performance in heavy use and in all weather conditions.

Full range of applications available.

- Models available in miles or kilometers.
- Guaranteed to + or – 2% accuracy.
- Records both forward and reverse rotation of the wheel.
- Factory sealed, making it tamper-proof and moisture free.

Robust construction makes the unit steady and balanced, even on rough roads.

- Tough polycarbonate cover, resists breakage and remains clear.
- Durable steel housing for greater dependability.
- Universal mounting stud (1/2") applies directly to "H" type hubcaps or to available brackets.
- Guaranteed against mechanical failure for 2 years, 200,000 miles.

Made in the U.S.A.

TRISEAL HUBODOMETERS

HUBODOMETER BY TIRE SIZE

TIRE SIZE	Miles/ KM	Triseal Part Number	REVS PER MI / KM.
9.00 X 20, 10-22.5 STD	KM	66325K	325
10.00X22 11-24.5 STD	KM	66300K	300
11.00X20 12-22.5	KM	66300K	300
11R-22.5	KM	66294K	294
12.50X22.5	KM	66300K	300
12.75X22.5	KM	66300K	300
315/80R-22.5 STD	KM	66300K	300
10.00X20 11-22.5 STD	KM	66312K	312
17.5	KM	66433K	433
24.5 LOW PROFILE	KM	66312K	312
24.5 LOW PROFILE HT	KM	66312K	312
255 /70R-22.5	KM	66343K	343
275/80R-22.5 HT	KM	66312K	312
275/80R-24.5 STD	KM	66312K	312
285/75R-24.5 HT	KM	66312K	312
285/75R-24.5 STD	KM	66312K	312
295/75R-24.5 STD	KM	66312K	312
295/80R-22.5 STD	KM	66312K	312
22.5 LOW PROFILE	KM	66325K	325
285/75R-22.5	KM	66325K	325
295/75R-22.5 HT	KM	66325K	325
305/70R-22.5 STD	KM	66325K	325
275/80R22.5 STD	KM	66325K	325
295/75R-22.5 STD	KM	66325K	325
11.00X22 12-24.5	MILES	66460M	460
12.00X20	MILES	66460M	460
12.00X24	MILES	66460M	460
10.00X20 11-22.5 HT	MILES	66480M	480
10.00X22 11-24.5 HT	MILES	66480M	480
10.00X22 11-24.5 STD	MILES	66480M	480
11.00X20 12-22.5	MILES	66480M	480
12.50X22.5	MILES	66480M	480
315/80R-22.5 STD	MILES	66480M	480
12.75X22.5	MILES	66486M	486
10.00X20 11-22.5 STD	MILES	66500M	500
24.5 LOW PROFILE	MILES	66500M	500
24.5 LOW PROFILE HT	MILES	66500M	500
275/80R-24.5 HT	MILES	66500M	500
275/80R-24.5 STD	MILES	66500M	500
295/75R-24.5 STD	MILES	66500M	500
285/75R-24.5 STD	MILES	66504M	504
275/80R-22.5 HT	MILES	66504M	504
295/80R-22.5 STD	MILES	66504M	504
22.5 LOW PROFILE	MILES	66520M	520
275/80R22.5 STD	MILES	66520M	520
285/75R-22.5	MILES	66520M	520
295/75R-22.5 STD	MILES	66520M	520
305/70R-22.5 STD	MILES	66520M	520

Models available for other tire size. Contact factory for additional model numbers.

We recommend verifying the REVS per MILE of a tire.

- 1 **Check the tire size against the chart for the recommended model.** Verify the application by determining the distance a fully-inflated tire travels to make one complete rotation. Do this by placing a chalk mark on the tire. Then make another chalk mark on the driving surface next to your tire mark. Roll the vehicle forward until the chalk mark on the tire has made one full revolution. Mark the driving surface at this point. Measure the distance between chalk marks on the driving surface.
- 2 **Calculate the number of revolutions per mile/kilometer.** First convert the measured distance into feet—round up or down to the nearest tenth. Example: 12 feet 6 inches equals 12.5 feet. Then divide 5,280 by your measurement to get revolutions per mile. Or for metric, convert the distance into meters, then divide 1,000 by the number of meters to get revolutions per kilometer.
- 3 **Refer to the chart at left.** Find the closest REVS per MILE to your calculated number to select the appropriate Triseal part. Tires tend to vary in circumference with each tire manufacturer. In most cases, you can rely on the tire size chart to find the correct Triseal part number.

For technical assistance contact Triseal Corporation.

 **TRISEAL CORPORATION**

BRACKETS

BOLT CIRCLE	HEIGHT	PART NUMBER	STUD SIZE
6.5" BOLT CIRCLE	3.5"	660000	1/2"
7" BOLT CIRCLE	1.6875"	660011	5/8"
7" BOLT CIRCLE	1.6875"	660012	3/4"
6.5" BOLT CIRCLE	4.5"	660013	1/2"
5.5" BOLT CIRCLE	5.5"	660014	7/16"
5.5" BOLT CIRCLE	3.5"	660901	3/8"
5.5" BOLT CIRCLE	3.0"	660902	3/8"
UNIVERSAL DRIVE AXLE	1.0"	660904	1/2"

TRISEAL HUBODOMETERS

INTERCHANGE GUIDE

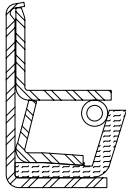
TRISEAL PART	TIRE SIZE	MILES/ KM	PER MI/ KM	Veeder-Root	Stemco DT	Stemco Std.	Tru-Trak	Accu-Trak
66294K	11R-22.5	KM	294	777727-294	600-0297			
66300K	10.00X22 11-24.5 STD	KM	300	777727-300	600-0297	650-0532		
66300K	11.00X20 12-22.5	KM	300	777727-300	600-0311	650-0532		
66300K	12.50X22.5	KM	300	777727-300		650-0534		
66300K	12.75X22.5	KM	300	777727-300		650-0534		
66300K	315/80R-22.5 STD	KM	300	777727-300		650-0535		
66312K	10.00X20 11-22.5 STD	KM	312	777727-310		650-0537		
66312K	24.5 LOW PROFILE	KM	312	777727-310		650-0545		
66312K	24.5 LOW PROFILE HT	KM	312	777727-310		650-0545		
66312K	275/80R-22.5 HT	KM	312	777727-310		650-0545		
66312K	275/80R-24.5 STD	KM	312	777727-310		650-0539		
66312K	285/75R-24.5 HT	KM	312	777727-310		650-0539		
66312K	285/75R-24.5 STD	KM	312	777727-310		650-0545		
66312K	295/75R-24.5 STD	KM	312	777727-310		650-0539		
66312K	295/80R-22.5 STD	KM	312	777727-310		650-0539		
66343K	255 / 70R-22.5	KM	343	777727-343	600-0352	650-0532		
66433K	17.5	KM	433	777727-433				
66325K	9.00 X 20, 10-22.5 STD	KM	325	777727-325		650-0545		
66325K	22.5 LOW PROFILE	KM	325	777727-325		650-0545		
66325K	285/75R-22.5	KM	325	777727-325		650-0545		
66325K	295/75R-22.5 HT	KM	325	777727-325		650-0545		
66325K	305/70R-22.5 STD	KM	325	777727-325		650-0545		
66325K	275/80R22.5 STD	KM	325	777727-325		650-0545		
66325K	295/75R-22.5 STD	KM	325	777727-325		650-0545		
66460M	11.00X22 12-24.5	MILES	460	777717-465		650-0583	TT468M	AT10-465
66460M	12.00X20	MILES	460	777717-465		650-0584	TT468M	AT10-465
66460M	12.00X24	MILES	460	777717-465		650-0576	TT468M	AT10-465
66480M	10.00X20 11-22.5 HT	MILES	480	777717-484	600-1488/9	650-0593	TT475M	AT15
66480M	10.00X22 11-24.5 HT	MILES	480	777717-484	600-1488/9	650-0593	TT475M	AT15
66480M	10.00X22 11-24.5 STD	MILES	480	777717-484	600-1488/9	650-0593	TT475M	AT15
66480M	11.00X20 12-22.5	MILES	480	777717-484	600-1488/9	650-0593	TT475M	AT15
66480M	12.50X22.5	MILES	480	777717-484	600-1488/9	650-0593	TT475M	AT15
66480M	315/80R-22.5 STD	MILES	480	777717-484	600-1488/9	650-0593	TT475M	AT15
66486M	12.75X22.5	MILES	486	777717-484	600-1488/9	650-0593	TT475M	AT15
66500M	10.00X20 11-22.5 STD	MILES	500	777717-500	600-1501/02	650-0598	TT499M	AT18 / 19
66500M	24.5 LOW PROFILE	MILES	500	777717-500	600-1501/02	650-0598	TT499M	AT18 / 19
66500M	24.5 LOW PROFILE HT	MILES	500	777717-500	600-1501/02	650-0598	TT499M	AT18 / 19
66500M	275/80R-24.5 HT	MILES	500	777717-500	600-1501/02	650-0598	TT499M	AT18 / 19
66500M	275/80R-24.5 STD	MILES	500	777717-500	600-1501/02	650-0598	TT499M	AT18 / 19
66500M	295/75R-24.5 STD	MILES	500	777717-500	600-1501/02	650-0598	TT499M	AT18 / 19
66504M	285/75R-24.5 STD	MILES	504	777717-500	600-1501/02	650-0598	TT499M	AT18 / 19
66504M	275/80R-22.5 HT	MILES	504	777717-500	600-1501/02	650-0598	TT499M	AT18 / 19
66504M	295/80R-22.5 STD	MILES	504	777717-500	600-1501/02	650-0598	TT499M	AT18 / 19
66520M	305/70R-22.5 STD	MILES	520	777717-520	600-1526	650-0610	TT517M	AT 22
66520M	22.5 LOW PROFILE	MILES	520	777717-520	600-1526	650-0610	TT517M	AT 22
66520M	275/80R22.5 STD	MILES	520	777717-520	600-1526	650-0610	TT517M	AT 22
66520M	285/75R-22.5	MILES	520	777717-520	600-1526	650-0610	TT517M	AT 22
66520M	295/75R-22.5 STD	MILES	520	777717-520	600-1526	650-0610	TT517M	AT 22

BRACKETS

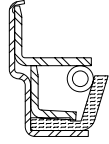
PART NUMBER	BOLT CIRCLE	HEIGHT	STUD SIZE
660000	6.5" BOLT CIRCLE	3.5"	1/2"
660011	7" BOLT CIRCLE	1.6875"	5/8"
660012	7" BOLT CIRCLE	1.6875"	3/4"
660013	6.5" BOLT CIRCLE	4.5"	1/2"
660014	5.5" BOLT CIRCLE	5.5"	7/16"
660901	5.5" BOLT CIRCLE	3.5"	3/8"
660902	5.5" BOLT CIRCLE	3.0"	3/8"
660904	UNIVERSAL DRIVE AXLE	1.0"	1/2"

5

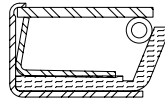
SEALS DIMENSIONAL INFORMATION



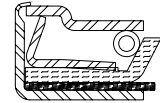
TYPE A



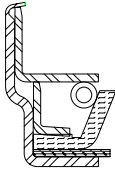
TYPE B



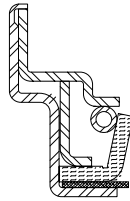
TYPE E



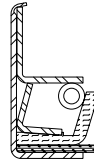
TYPE F



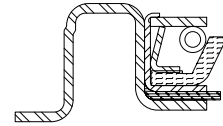
TYPE G



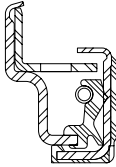
TYPE H



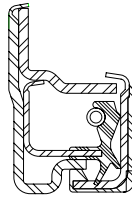
TYPE I



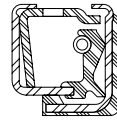
TYPE J



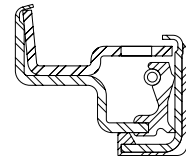
TYPE K



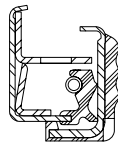
TYPE L



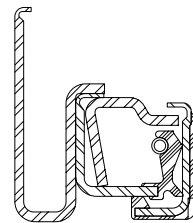
TYPE M



TYPE N



TYPE O



TYPE P

SEALS DIMENSIONAL INFORMATION

SEALS BY PART NUMBER

SEAL PART NUMBER	TYPE	STYLE	APPROXIMATE DIMENSIONS IN INCHES		
			BORE DIAMETER	SHAFT DIAMETER	OVERALL WIDTH
65000U	UNITIZED SEAL	O	5.375	4.500	1.000
65000W	LEATHER SEAL	I	5.375	4.625	1.000
65002	LEATHER SEAL	A	4.750	3.875	0.750
65005*	LEATHER SEAL	A	4.125	3.359	0.671
65011W*	LEATHER SEAL	I	4.625	3.615	0.937
65016*	LEATHER SEAL	B	4.437	3.360	0.812
65018*	LEATHER SEAL	B	4.437	3.250	0.812
65019*	LEATHER SEAL	B	4.437	3.406	0.812
65024U	UNITIZED SEAL	M	5.500	3.875	0.687
65027	LEATHER SEAL	A	5.500	4.156	0.625
65027U	UNITIZED SEAL	M	5.500	4.165	0.687
65028	LEATHER SEAL	A	6.312	4.937	1.000
65030U	UNITIZED SEAL	N	7.375	5.250	0.920
65030W	LEATHER SEAL	H	7.375	5.375	0.775
65044	LEATHER SEAL	A	6.250	5.125	1.076
65052W*	LEATHER SEAL	G	5.250	3.984	1.046
65054W	LEATHER SEAL	H	5.500	4.046	1.000
65055W	LEATHER SEAL	G	4.175	2.968	0.755
65056W	LEATHER SEAL	H	6.312	4.875	1.180
65060U	UNITIZED SEAL	K	6.000	4.625	0.970
65060W	LEATHER SEAL	H	6.000	4.734	0.860
65061	LEATHER SEAL	B	5.750	4.100	0.865
65065W*	LEATHER SEAL	H	6.000	4.875	1.100
65069*	LEATHER SEAL	A	4.450	3.625	0.845
65070*	LEATHER SEAL	B	6.000	4.953	0.937
65071U	UNITIZED SEAL	L	6.250	4.250	1.250
65072W*	LEATHER SEAL	H	6.000	4.625	1.102
65073W	LEATHER SEAL	G	5.000	3.625	0.750
65078U	UNITIZED SEAL	K	5.875	4.500	1.000
65078W	LEATHER SEAL	G	5.875	4.630	0.937
65084W*	LEATHER SEAL	G	6.000	4.500	1.140
65091	LEATHER SEAL	A	3.875	2.980	0.750
65092U	UNITIZED SEAL	K	5.906	4.375	1.030
65092W	LEATHER SEAL	H	5.906	4.500	1.015
65111U	UNITIZED SEAL	O	4.750	3.437	0.820
65116U	UNITIZED SEAL	M	4.500	3.250	0.687
65152U	UNITIZED SEAL	K	5.690	3.875	0.920
65156U	UNITIZED SEAL	L	6.312	4.767	1.175
65165U	UNITIZED SEAL	L	6.250	4.767	0.770
65171W	LEATHER SEAL	J	6.250	4.375	0.665
65172U	UNITIZED SEAL	M	6.250	4.500	0.750
65184U	UNITIZED SEAL	M	6.250	4.375	0.750
65260W	LEATHER SEAL	H	5.758	4.125	0.900
65261U	UNITIZED SEAL	K	5.750	4.000	0.900

* Designed for installation into the bearing bore.

CAUTION! Dimensions shown are nominal sizes listed for part identification only and are not intended for design purposes.

SEALS DIMENSIONAL INFORMATION

SEALS BY PART NUMBER (continued)

SEAL PART NUMBER	TYPE	STYLE	APPROXIMATE DIMENSIONS IN INCHES		
			BORE DIAMETER	SHAFT DIAMETER	OVERALL WIDTH
65262U	UNITIZED SEAL	L	6.008	4.250	1.035
65262W	LEATHER SEAL	H	6.008	4.375	0.915
65263U	UNITIZED SEAL	K	4.843	3.500	0.975
65263W	LEATHER SEAL	G	4.843	3.625	0.900
65267W	LEATHER SEAL	D	5.375	4.046	0.930
65269W	LEATHER SEAL	I	6.500	4.937	1.060
65270U	UNITIZED SEAL	K	5.750	4.500	1.000
65271W	LEATHER SEAL	H	6.032	4.375	0.855
65272W	LEATHER SEAL	H	5.750	4.637	0.935
65275	LEATHER SEAL	E	5.125	4.047	0.630
65275U	UNITIZED SEAL	M	5.125	3.875	0.687
65276	LEATHER SEAL	E	5.687	4.047	0.625
65277W	LEATHER SEAL	F	6.062	4.365	0.600
65280	LEATHER SEAL	B	4.125	2.968	0.820
65283U	UNITIZED SEAL	P	7.000	4.767	1.312
65283W	LEATHER SEAL	H	7.000	4.885	1.290
65285W	LEATHER SEAL	I	6.250	4.500	1.100
65287W	LEATHER SEAL	I	6.375	4.937	0.900
65289	LEATHER SEAL	E	5.000	3.625	0.468
65291U	UNITIZED SEAL	K	4.812	3.625	0.900
65291W*	LEATHER SEAL	I	4.812	3.750	0.825
65292	LEATHER SEAL	E	5.000	3.125	0.468
65293	LEATHER SEAL	A	4.500	3.187	0.625
65294U **	UNITIZED SEAL	O	5.125	3.875	1.000
65294W*	LEATHER SEAL	I	5.125	4.047	1.000
65297W	LEATHER SEAL	I	6.250	4.993	0.880
65298U	UNITIZED SEAL	K	5.750	4.375	1.000
65298W	LEATHER SEAL	G	5.750	4.500	1.000
65299	LEATHER SEAL	A	6.437	4.953	0.930
65356U	UNITIZED SEAL	L	6.312	4.767	1.175

* Designed for installation into the bearing bore.

** 65294U must be used with bearing spacer 67038.

CAUTION! Dimensions shown are nominal sizes listed for part identification only and are not intended for design purposes.

SEALS DIMENSIONAL INFORMATION

SEALS BY BORE DIAMETER

All dimensions are shown in inches.

SEAL PART NUMBER	TYPE	STYLE	BORE DIAMETER	SHAFT DIAMETER	OVERALL WIDTH
65091	LEATHER SEAL	A	3.875	2.980	0.750
65280	LEATHER SEAL	B	4.125	2.968	0.820
65005*	LEATHER SEAL	A	4.125	3.359	0.671
65055W	LEATHER SEAL	G	4.175	2.968	0.755
65016*	LEATHER SEAL	B	4.437	3.360	0.812
65018*	LEATHER SEAL	B	4.437	3.250	0.812
65019*	LEATHER SEAL	B	4.437	3.406	0.812
65069*	LEATHER SEAL	A	4.450	3.625	0.845
65293	LEATHER SEAL	A	4.500	3.187	0.625
65011W*	LEATHER SEAL	I	4.625	3.615	0.937
65111U	UNITIZED SEAL	O	4.750	3.437	0.820
65116U	UNITIZED SEAL	M	4.500	3.250	0.687
65002	LEATHER SEAL	A	4.750	3.875	0.750
65291U	UNITIZED SEAL	K	4.812	3.625	0.900
65291W*	LEATHER SEAL	I	4.812	3.750	0.825
65263U	UNITIZED SEAL	K	4.843	3.500	0.975
65263W	LEATHER SEAL	G	4.843	3.625	0.900
65289	LEATHER SEAL	E	5.000	3.625	0.468
65292	LEATHER SEAL	E	5.000	3.125	0.468
65073W	LEATHER SEAL	G	5.000	3.625	0.750
65275	LEATHER SEAL	E	5.125	4.047	0.630
65275U	UNITIZED SEAL	M	5.125	3.875	0.687
65294U	UNITIZED SEAL	O	5.125	3.875	1.000
65294W*	LEATHER SEAL	I	5.125	4.047	1.000
65052W*	LEATHER SEAL	G	5.250	3.984	1.046
65000U	UNITIZED SEAL	O	5.375	4.500	1.000
65000W	LEATHER SEAL	I	5.375	4.625	1.000
65267W	LEATHER SEAL	D	5.375	4.046	0.930
65027	LEATHER SEAL	A	5.500	4.156	0.625
65024U	UNITIZED SEAL	M	5.500	3.875	0.687
65027U	UNITIZED SEAL	M	5.500	4.165	0.687
65054W	LEATHER SEAL	H	5.500	4.046	1.000
65276	LEATHER SEAL	E	5.687	4.047	0.625
65152U	UNITIZED SEAL	K	5.690	3.875	0.920
65061	LEATHER SEAL	B	5.750	4.100	0.865
65261U	UNITIZED SEAL	K	5.750	4.000	0.900
65270U	UNITIZED SEAL	K	5.750	4.500	1.000
65272W	LEATHER SEAL	H	5.750	4.637	0.935
65298U	UNITIZED SEAL	K	5.750	4.375	1.000
65298W	LEATHER SEAL	G	5.750	4.500	1.000
65078U	UNITIZED SEAL	K	5.875	4.500	1.000
65078W	LEATHER SEAL	G	5.875	4.630	0.937

* Designed for installation into the bearing bore.

** 65294U must be used with bearing spacer 67038.

CAUTION! Dimensions shown are nominal sizes listed for part identification only and are not intended for design purposes.

SEALS DIMENSIONAL INFORMATION

SEALS BY BORE DIAMETER (continued)

All dimensions are shown in inches.

SEAL PART NUMBER	TYPE	STYLE	BORE DIAMETER	SHAFT DIAMETER	OVERALL WIDTH
65092U	UNITIZED SEAL	K	5.906	4.375	1.030
65092W	LEATHER SEAL	H	5.906	4.500	1.015
65060U	UNITIZED SEAL	K	6.000	4.625	0.970
65060W	LEATHER SEAL	H	6.000	4.734	0.860
65065W*	LEATHER SEAL	H	6.000	4.875	1.100
65070*	LEATHER SEAL	B	6.000	4.953	0.937
65072W*	LEATHER SEAL	H	6.000	4.625	1.102
65084W*	LEATHER SEAL	G	6.000	4.500	1.140
65262U	UNITIZED SEAL	L	6.008	4.250	1.035
65262W	LEATHER SEAL	H	6.008	4.375	0.915
65271W	LEATHER SEAL	H	6.032	4.375	0.855
65277W	LEATHER SEAL	F	6.062	4.365	0.600
65044	LEATHER SEAL	A	6.250	5.125	1.076
65071U	UNITIZED SEAL	L	6.250	4.250	1.250
65165U	UNITIZED SEAL	L	6.250	4.767	0.770
65171W	LEATHER SEAL	J	6.250	4.375	0.665
65172U	UNITIZED SEAL	M	6.250	4.500	0.750
65184U	UNITIZED SEAL	M	6.250	4.375	0.750
65285W	LEATHER SEAL	I	6.250	4.500	1.100
65297W	LEATHER SEAL	I	6.250	4.993	0.880
65028	LEATHER SEAL	A	6.312	4.937	1.000
65056W	LEATHER SEAL	H	6.312	4.875	1.180
65156U	UNITIZED SEAL	L	6.312	4.767	1.175
65356U	UNITIZED SEAL	L	6.312	4.767	1.175
65287W	LEATHER SEAL	I	6.375	4.937	0.900
65299	LEATHER SEAL	A	6.437	4.953	0.930
65269W	LEATHER SEAL	I	6.500	4.937	1.060
65283U	UNITIZED SEAL	P	7.000	4.767	1.312
65283W	LEATHER SEAL	H	7.000	4.885	1.290
65030U	UNITIZED SEAL	N	7.375	5.250	0.920
65030W	LEATHER SEAL	H	7.375	5.375	0.775

* Designed for installation into the bearing bore.

CAUTION! Dimensions shown are nominal sizes listed for part identification only and are not intended for design purposes.

SEALS DIMENSIONAL INFORMATION

SEALS BY SHAFT DIAMETER

All dimensions are shown in inches.

SEAL PART NUMBER	TYPE	STYLE	BORE DIAMETER	SHAFT DIAMETER	OVERALL WIDTH
65280	LEATHER SEAL	B	4.125	2.968	0.820
65055W	LEATHER SEAL	G	4.175	2.968	0.755
65091	LEATHER SEAL	A	3.875	2.980	0.750
65292	LEATHER SEAL	E	5.000	3.125	0.468
65293	LEATHER SEAL	A	4.500	3.187	0.625
65018*	LEATHER SEAL	B	4.437	3.250	0.812
65116U	UNITIZED SEAL	M	4.500	3.250	0.687
65016*	LEATHER SEAL	B	4.437	3.360	0.812
65005*	LEATHER SEAL	A	4.125	3.359	0.671
65019*	LEATHER SEAL	B	4.437	3.406	0.812
65111U	UNITIZED SEAL	O	4.750	3.437	0.820
65263U	UNITIZED SEAL	K	4.843	3.500	0.975
65069*	LEATHER SEAL	A	4.450	3.625	0.845
65011W*	LEATHER SEAL	I	4.625	3.615	0.937
65291U	UNITIZED SEAL	K	4.812	3.625	0.900
65263W	LEATHER SEAL	G	4.843	3.625	0.900
65073W	LEATHER SEAL	G	5.000	3.625	0.750
65289	LEATHER SEAL	E	5.000	3.625	0.468
65291W*	LEATHER SEAL	I	4.812	3.750	0.825
65002	LEATHER SEAL	A	4.750	3.875	0.750
65275U	UNITIZED SEAL	M	5.125	3.875	0.687
65294U **	UNITIZED SEAL	O	5.125	3.875	1.000
65024U	UNITIZED SEAL	M	5.500	3.875	0.687
65152U	UNITIZED SEAL	K	5.690	3.875	0.920
65052W*	LEATHER SEAL	G	5.250	3.984	1.046
65061	LEATHER SEAL	B	5.750	4.100	0.865
65261U	UNITIZED SEAL	K	5.750	4.000	0.900
65267W	LEATHER SEAL	D	5.375	4.046	0.930
65054W	LEATHER SEAL	H	5.500	4.046	1.000
65275	LEATHER SEAL	E	5.125	4.047	0.630
65294W*	LEATHER SEAL	I	5.125	4.047	1.000
65276	LEATHER SEAL	E	5.687	4.047	0.625
65027	LEATHER SEAL	A	5.500	4.156	0.625
65027U	UNITIZED SEAL	M	5.500	4.165	0.687
65262U	UNITIZED SEAL	L	6.008	4.250	1.035
65277W	LEATHER SEAL	F	6.062	4.365	0.600
65298U	UNITIZED SEAL	K	5.750	4.375	1.000
65092U	UNITIZED SEAL	K	5.906	4.375	1.030
65262W	LEATHER SEAL	H	6.008	4.375	0.915
65271W	LEATHER SEAL	H	6.032	4.375	0.855
65171W	LEATHER SEAL	J	6.250	4.375	0.665
65184U	UNITIZED SEAL	M	6.250	4.375	0.750

* Designed for installation into the bearing bore.

** 65294U must be used with bearing spacer 67038.

CAUTION! Dimensions shown are nominal sizes listed for part identification only and are not intended for design purposes.

SEALS DIMENSIONAL INFORMATION

SEALS BY SHAFT DIAMETER (continued)

All dimensions are shown in inches.

SEAL PART NUMBER	TYPE	STYLE	BORE DIAMETER	SHAFT DIAMETER	OVERALL WIDTH
65000U	UNITIZED SEAL	O	5.375	4.500	1.000
65270U	UNITIZED SEAL	K	5.750	4.500	1.000
65298W	LEATHER SEAL	G	5.750	4.500	1.000
65078U	UNITIZED SEAL	K	5.875	4.500	1.000
65092W	LEATHER SEAL	H	5.906	4.500	1.015
65084W*	LEATHER SEAL	G	6.000	4.500	1.140
65071U	UNITIZED SEAL	L	6.250	4.250	1.250
65172U	UNITIZED SEAL	M	6.250	4.500	0.750
65285W	LEATHER SEAL	I	6.250	4.500	1.100
65078W	LEATHER SEAL	G	5.875	4.630	0.937
65000W	LEATHER SEAL	I	5.375	4.625	1.000
65060U	UNITIZED SEAL	K	6.000	4.625	0.970
65072W*	LEATHER SEAL	H	6.000	4.625	1.102
65272W	LEATHER SEAL	H	5.750	4.637	0.935
65060W	LEATHER SEAL	H	6.000	4.734	0.860
65165U	UNITIZED SEAL	L	6.250	4.767	0.770
65156U	UNITIZED SEAL	L	6.312	4.767	1.175
65356U	UNITIZED SEAL	L	6.312	4.767	1.175
65283U	UNITIZED SEAL	P	7.000	4.767	1.312
65283W	LEATHER SEAL	H	7.000	4.885	1.290
65065W*	LEATHER SEAL	H	6.000	4.875	1.100
65056W	LEATHER SEAL	H	6.312	4.875	1.180
65028	LEATHER SEAL	A	6.312	4.937	1.000
65287W	LEATHER SEAL	I	6.375	4.937	0.900
65269W	LEATHER SEAL	I	6.500	4.937	1.060
65070*	LEATHER SEAL	B	6.000	4.953	0.937
65299	LEATHER SEAL	A	6.437	4.953	0.930
65297W	LEATHER SEAL	I	6.250	4.993	0.880
65044	LEATHER SEAL	A	6.250	5.125	1.076
65030U	UNITIZED SEAL	N	7.375	5.250	0.920
65030W	LEATHER SEAL	H	7.375	5.375	0.775

* Designed for installation into the bearing bore.

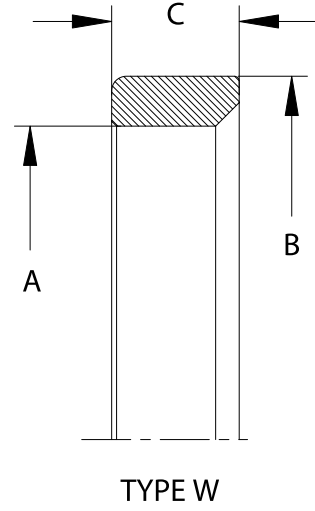
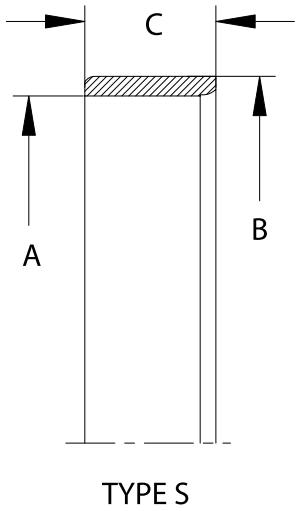
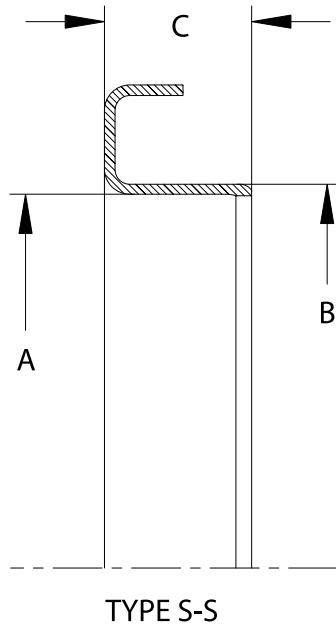
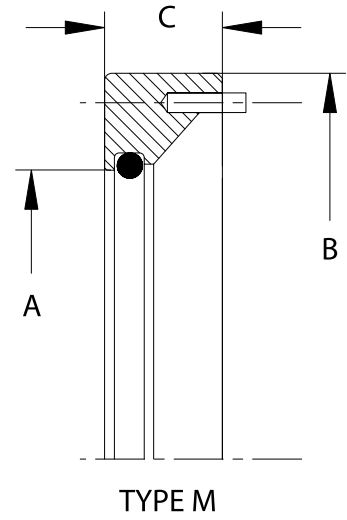
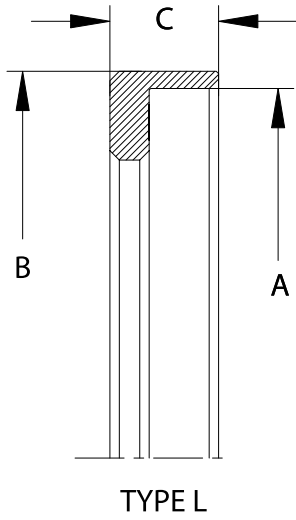
CAUTION! Dimensions shown are nominal sizes listed for part identification only and are not intended for design purposes.

NOTES



6

WEAR SLEEVES DIMENSIONAL INFORMATION



6

WEAR SLEEVES DIMENSIONAL INFORMATION

WEAR SLEEVES BY PART NUMBER

PART NUMBER	TYPE	DIMENSIONS IN INCHES			O-RING NUMBER	INSTALLATION TOOL
		SHAFT DIAMETER	OUTSIDE DIAMETER	OVERALL WIDTH		
		A	B	C		
63003	M	2.875	4.375	0.640	62001	Not Required
63005	W	3.875	4.375	0.505		DP322A
63006	M	3.347	4.375	0.875	62003	Not Required
63007	S	5.000	5.120	0.807		DP316
63008	S	2.875	2.968	0.500		DP200, DP224
63009	W	4.000	4.625	0.812		DP240
63010	W	3.315	3.625	0.437		DP256, DP300
63011	M	2.500	4.047	0.750	62006	Not Required
63012	S	3.875	4.047	0.785		DP300
63014	S	4.262	4.365	0.465		DP316
63015	M	1.875	3.187	0.580	62011	Not Required
63017	S	3.250	3.307	0.495		DP216
63018	S	3.937	4.049	0.820		DP300
63020	M	2.250	3.125	0.625	62004	Not Required
63021	S	4.823	4.951	0.468		DP340, DP348, DP400
63022	M	3.500	4.375	0.635	62002	Not Required
63023	S	4.250	4.380	0.458		DP322
63026	S	4.375	4.490	0.750		DP316, DP340
63028	S	4.875	4.955	0.515		DP308
63029	M	2.625	4.047	0.635	62007	Not Required
63030	M	2.125	3.187	0.625	62005	Not Required
63032	M	2.625	3.625	0.609	62007	Not Required
63033	M	2.593	3.625	0.609	62007	Not Required
63034	S	3.625	3.751	0.500		DP232
63035	M	2.500	3.125	0.615	62006	Not Required
63037	S	4.375	4.490	0.562		DP300, DP324
63038	M	2.625	4.047	0.750	62007	Not Required
63041	M	3.000	4.375	0.812	62010	Not Required
63043	S	4.500	4.953	0.562		DP332
63044	M	3.500	4.953	0.500	62002	Not Required
63045	W	4.250	4.953	0.625		DP336
63047	W	3.194	3.606	0.453		DP244
63049	W	2.750	3.875	0.462		DP216
63050	M	2.125	3.187	0.734	62005	Not Required
63051	M	2.500	3.625	0.625	62006	Not Required
63052	S	3.125	3.370	0.520		DP200
63054	W	4.125	4.953	0.562		DP324, DP332
63055	M	2.875	4.375	0.395	62013	Not Required
63056	M	3.000	4.956	0.395	62012	Not Required
63059	M	2.562	4.040	0.687	62007	Not Required
63062	S	3.437	3.612	0.670		DP252, DP256

CAUTION! Dimensions shown are nominal sizes listed for part identification only and are not intended for design purposes.

WEAR SLEEVES DIMENSIONAL INFORMATION

WEAR SLEEVES BY PART NUMBER (continued)

PART NUMBER	TYPE	DIMENSIONS IN INCHES			O-RING NUMBER	INSTALLATION TOOL
		SHAFT DIAMETER	OUTSIDE DIAMETER	OVERALL WIDTH		
		A	B	C		
63063	S	3.500	3.615	0.660		DP252, DP256
63064	S	3.125	3.253	0.755		DP236, DP240
63069	S	3.875	4.117	0.562		DP232
63074	S	3.312	3.406	0.750		DP240
63075	S	3.187	3.359	0.520		DP240
63079	S	4.767	4.962	0.812	62016	DP340, DP348
63080	M	3.250	4.375	0.625		Not Required
63083	W	4.625	4.932	0.656		DP336
63088	S	4.250	4.375	0.812		DP316
63091	S	3.875	3.980	0.812		DP300, DP316
63092	S	2.750	2.870	0.406		Not Available
63093	S	4.500	4.630	0.687		DP240, DP252, DP316, DP348
63095	L	4.562	4.937	0.656		DP324, DP336
63161	W	3.75	4.112	0.531		DP316
67003	L	4.156	4.375	0.692		Not Required
67007	W	4.375	4.766	0.968		DP340, DP348
67008	W	4.500	4.776	1.062		DP340, DP348
67009	S	4.875	4.955	0.750	62006	DP336
67011	M	2.500	3.875	0.750		Not Required
67014	W	3.247	3.625	0.437		DP300
67023	S	4.250	4.380	0.562	62007	DP322, DP322A
67036	S	3.500	3.625	0.562		DP216, DP224, DP232, DP240
67038	M	2.625	3.875	0.750		Not Required
67048	S	4.625	4.729	0.600		DP355A
67067	S	5.250	5.379	0.875		DP400
67090	S	4.767	4.885	0.630		DP340, DP348
67093	S	4.500	4.630	0.812		DP316, DP348
67094	S	4.767	4.885	0.880		DP340, DP348
68023	S-S	4.250	4.375	0.660		DP322, DP322A
68048	S-S	4.625	4.727	0.725		DP355A
68061	S-S	4.000	4.117	0.600		DP316
68088	S-S	4.250	4.375	0.945		DP316
68092	S-S	4.500	4.619	0.950		DP316, DP348
68093	S-S	4.500	4.619	0.860		DP316, DP348
68094	S-S	4.767	4.878	0.937		DP340, DP348

CAUTION! Dimensions shown are nominal sizes listed for part identification only and are not intended for design purposes.

SEALS & WEAR SLEEVES DIMENSIONAL INFORMATION

WEAR SLEEVES BY SHAFT DIAMETER

PART NUMBER	TYPE	DIMENSIONS IN INCHES			O-RING NUMBER	INSTALLATION TOOL
		SHAFT DIAMETER	OUTSIDE DIAMETER	OVERALL WIDTH		
		A	B	C		
63015	M	1.875	3.187	0.580	62011	Not Required
63030	M	2.125	3.187	0.625	62005	Not Required
63050	M	2.125	3.187	0.734	62005	Not Required
63020	M	2.250	3.125	0.625	62004	Not Required
63035	M	2.500	3.125	0.615	62006	Not Required
63051	M	2.500	3.625	0.625	62006	Not Required
67011	M	2.500	3.875	0.750	62006	Not Required
63011	M	2.500	4.047	0.750	62006	Not Required
63059	M	2.562	4.040	0.687	62007	Not Required
63033	M	2.593	3.625	0.609	62007	Not Required
63032	M	2.625	3.625	0.609	62007	Not Required
67038	M	2.625	3.875	0.750	62007	Not Required
63029	M	2.625	4.047	0.635	62007	Not Required
63038	M	2.625	4.047	0.750	62007	Not Required
63092	S	2.750	2.870	0.406		Not Available
63049	W	2.750	3.875	0.462		DP216
63008	S	2.875	2.968	0.500		DP200, DP224
63055	M	2.875	4.375	0.395	62013	Not Required
63003	M	2.875	4.375	0.640	62001	Not Required
63041	M	3.000	4.375	0.812	62010	Not Required
63056	M	3.000	4.956	0.395	62012	Not Required
63064	S	3.125	3.253	0.755		DP236, DP240
63052	S	3.125	3.370	0.520		DP200
63075	S	3.187	3.359	0.520		DP240
63047	W	3.194	3.606	0.453		DP244
67014	W	3.247	3.625	0.437		DP300
63017	S	3.250	3.307	0.495		DP216
63080	M	3.250	4.375	0.625	62016	Not Required
63074	S	3.312	3.406	0.750		DP240
63010	W	3.315	3.625	0.437		DP256, DP300
63006	M	3.347	4.375	0.875	62003	Not Required
63062	S	3.437	3.612	0.670		DP252, DP256
63063	S	3.500	3.615	0.660		DP252, DP256
67036	S	3.500	3.625	0.562		DP216, DP224, DP232, DP240
63022	M	3.500	4.375	0.635	62002	Not Required
63044	M	3.500	4.953	0.500	62002	Not Required
63034	S	3.625	3.751	0.500		DP232
63161	W	3.750	4.112	0.531		DP316
63091	S	3.875	3.980	0.812		DP300, DP316
63012	S	3.875	4.047	0.785		DP300
63069	S	3.875	4.117	0.562		DP232
63005	W	3.875	4.375	0.505		DP322A
63018	S	3.937	4.049	0.820		DP300

CAUTION! Dimensions shown are nominal sizes listed for part identification only and are not intended for design purposes.

SEALS & WEAR SLEEVES DIMENSIONAL INFORMATION

WEAR SLEEVES BY SHAFT DIAMETER (continued)

PART NUMBER	TYPE	DIMENSIONS IN INCHES			O-RING NUMBER	INSTALLATION TOOL
		SHAFT DIAMETER	OUTSIDE DIAMETER	OVERALL WIDTH		
		A	B	C		
68061	S	4.000	4.122	0.562		DP316
63009	W	4.000	4.625	0.812		DP240
63054	W	4.125	4.953	0.562		DP324, DP332
67003	L	4.156	4.375	0.692		Not Required
68023	S-S	4.250	4.375	0.660		DP322, DP322A
63088	S	4.250	4.375	0.812		DP316
68088	S-S	4.250	4.375	0.945		DP316
63023	S	4.250	4.380	0.458		DP322
67023	S	4.250	4.380	0.562		DP322, DP322A
63045	W	4.250	4.953	0.625		DP336
63014	S	4.262	4.365	0.465		DP316
63037	S	4.375	4.490	0.562		DP300, DP324
63026	S	4.375	4.490	0.750		DP316, DP340
67007	W	4.375	4.766	0.968		DP340, DP348
68093	S-S	4.500	4.619	0.860		DP316, DP348
68092	S-S	4.500	4.619	0.950		DP316, DP348
63093	S	4.500	4.630	0.687		DP240, DP252, DP316, DP348
67093	S	4.500	4.630	0.812		DP316, DP348
67008	W	4.500	4.776	1.062		DP340, DP348
63043	S	4.500	4.953	0.562		DP332
63095	L	4.562	4.937	0.656		DP324, DP336
68048	S-S	4.625	4.727	0.725		DP355A
67048	S	4.625	4.729	0.600		DP355A
63083	W	4.625	4.932	0.656		DP336
68094	S-S	4.767	4.878	0.937		DP340, DP348
67090	S	4.767	4.885	0.630		DP340, DP348
67094	S	4.767	4.885	0.880		DP340, DP348
63079	S	4.767	4.962	0.812		DP340, DP348
63021	S	4.823	4.951	0.468		DP340, DP348, DP400
63028	S	4.875	4.955	0.515		DP308
67009	S	4.875	4.955	0.750		DP336
63007	S	5.000	5.120	0.807		DP316
67067	S	5.250	5.379	0.875		DP400

CAUTION! Dimensions shown are nominal sizes listed for part identification only and are not intended for design purposes.

NOTES



7

SEAL & SEAL KIT SPECIFICATIONS

MVP SEALS AND SEAL KITS BY KIT NUMBER

All dimensions are shown in inches.

KIT NUMBER	SEAL NUMBER	SLEEVE NUMBER	TYPE	BORE DIAMETER	SHAFT DIAMETER	OVERALL WIDTH
69161	65061	63161	STANDARD SERVICE KIT	5.750	3.750	0.900
69502	65299	63054	STANDARD SERVICE KIT	6.437	4.125	0.930
69507	65289	67036	STANDARD SERVICE KIT	5.000	3.500	0.468
69512	65299	63043	STANDARD SERVICE KIT	6.437	4.500	0.930
69513	65269W	63021	STANDARD SERVICE KIT	6.500	4.823	1.060
69514	65299	63044	STANDARD SERVICE KIT	6.437	3.500	0.930
69516	65269W	63045	STANDARD SERVICE KIT	6.500	4.250	1.060
69520	65262W	63023	STANDARD SERVICE KIT	6.008	4.250	0.915
69522	65028	63021	STANDARD SERVICE KIT	6.312	4.823	1.000
69523	65271W	63005	STANDARD SERVICE KIT	6.032	3.875	0.855
69524	65271W	63006	STANDARD SERVICE KIT	6.032	3.347	0.855
69538	65271W	63080	STANDARD SERVICE KIT	6.032	3.250	0.855
69541	65271W	67023	STANDARD SERVICE KIT	6.032	4.250	0.855
69587	65073W	67014	STANDARD SERVICE KIT	5.000	3.247	0.750
69589	65073W	63010	STANDARD SERVICE KIT	5.000	3.315	0.750
69590	65073W	67036	STANDARD SERVICE KIT	5.000	3.500	0.750
69591	65073W	63047	STANDARD SERVICE KIT	5.000	3.194	0.750
69594	65262W	63022	STANDARD SERVICE KIT	6.008	3.500	0.915
69596	65262W	67023	STANDARD SERVICE KIT	6.008	4.250	0.915
69598	65060W	67048	STANDARD SERVICE KIT	6.000	4.625	0.860
69599	65298W	63037	STANDARD SERVICE KIT	5.750	4.375	1.000
69603	65005*	63052	STANDARD SERVICE KIT	4.125	3.125	0.671
69604	65293	63050	STANDARD SERVICE KIT	4.500	2.125	0.625
69607	65002	63049	STANDARD SERVICE KIT	4.750	2.750	0.750
69611	65016*	63017	STANDARD SERVICE KIT	4.437	3.250	0.812
69612	65280	63008	STANDARD SERVICE KIT	4.125	2.875	0.812
69616	65294W	63011	STANDARD SERVICE KIT	5.125	2.500	1.000
69620	65267W	63029	STANDARD SERVICE KIT	5.375	2.625	0.930
69622	65289	63032	STANDARD SERVICE KIT	5.000	2.625	0.468
69623	65289	63033	STANDARD SERVICE KIT	5.000	2.593	0.468
69625	65292	63035	STANDARD SERVICE KIT	5.000	2.500	0.468
69628	65294W	63038	STANDARD SERVICE KIT	5.125	2.625	1.000
69635	65267W	63059	STANDARD SERVICE KIT	5.375	2.562	0.930
69636	65069*	67036	STANDARD SERVICE KIT	4.450	3.500	0.845
69640	65299	63028	STANDARD SERVICE KIT	6.437	4.875	0.930
69645	65091	63008	STANDARD SERVICE KIT	3.875	2.875	0.750

NOTE: All dimensions are shown in inches.

* Designed for installation into the bearing bore.

CAUTION! Dimensions shown are nominal sizes listed for part identification only. Not intended for design purposes.



SEAL & SEAL KIT SPECIFICATIONS

MVP SEALS AND SEAL KITS BY KIT NUMBER (Continued)

All dimensions are shown in inches.

KIT NUMBER	SEAL NUMBER	SLEEVE NUMBER	TYPE	BORE DIAMETER	SHAFT DIAMETER	OVERALL WIDTH
69688	65073W	63063	STANDARD SERVICE KIT	5.000	3.500	0.750
69689	65073W	63051	STANDARD SERVICE KIT	5.000	2.500	0.750
69690	65287W	63028	STANDARD SERVICE KIT	6.375	4.875	0.875
69691	65000W	63009	STANDARD SERVICE KIT	5.375	4.000	1.000
69692	65000W	63093	STANDARD SERVICE KIT	5.375	4.500	1.000
69693	65291W	63034	STANDARD SERVICE KIT	4.812	3.625	0.812
69695	65055W	63008	STANDARD SERVICE KIT	4.175	2.875	0.755
69696	65078W	63093	STANDARD SERVICE KIT	5.875	4.500	0.937
69697	65092W	63037	STANDARD SERVICE KIT	5.906	4.375	1.015
69698	65262W	63041	STANDARD SERVICE KIT	6.008	3.000	0.915
69699	65263W	67036	STANDARD SERVICE KIT	4.843	3.500	0.900
69705	65275	63012	STANDARD SERVICE KIT	5.125	3.875	0.630
69706	65276	63012	STANDARD SERVICE KIT	5.690	3.875	0.625
69711	65267W	63018	STANDARD SERVICE KIT	5.375	3.937	0.930
69730	65018*	63064	STANDARD SERVICE KIT	4.437	3.125	0.812
69731	65019*	63074	STANDARD SERVICE KIT	4.437	3.312	0.812
69732	65016*	63075	STANDARD SERVICE KIT	4.437	3.187	0.812
69743	65027	O.E.M.	STANDARD SERVICE KIT	5.500	4.156	0.625
69750	65044	63007	STANDARD SERVICE KIT	6.250	5.000	1.076
69751	65070*	63054	STANDARD SERVICE KIT	6.000	4.125	0.937
69753	65070*	63079	STANDARD SERVICE KIT	6.000	4.767	0.937
69779	65297W	63079	STANDARD SERVICE KIT	6.250	4.767	0.880
69780	65297W	63028	STANDARD SERVICE KIT	6.250	4.875	0.880
69781	65030W	67067	STANDARD SERVICE KIT	7.375	5.250	0.775
69782	65269W	67009	STANDARD SERVICE KIT	6.500	4.875	1.060
69783	65269W	63095	STANDARD SERVICE KIT	6.500	4.562	1.060
69784	65287W	63083	STANDARD SERVICE KIT	6.375	4.625	0.875
69785	65011W*	63062	STANDARD SERVICE KIT	4.625	3.437	0.937
69786	65011W*	63063	STANDARD SERVICE KIT	4.625	3.500	0.937
69787	65054W	63018	STANDARD SERVICE KIT	5.500	3.937	1.000
69788	65171W	63088	STANDARD SERVICE KIT	6.250	4.250	0.665
69789	65283W	67094	STANDARD SERVICE KIT	7.000	4.767	1.290
69791	65072W*	67093	STANDARD SERVICE KIT	6.000	4.500	1.102
69792	65285W	63026	STANDARD SERVICE KIT	6.250	4.375	1.100
69794	65052W*	63091	STANDARD SERVICE KIT	5.250	3.875	1.046
69795	65277W	63014	STANDARD SERVICE KIT	6.062	4.262	0.600
69796	65272W	67093	STANDARD SERVICE KIT	5.750	4.500	0.935
69797	65084W*	63026	STANDARD SERVICE KIT	6.000	4.375	1.140
69798	65065W*	67094	STANDARD SERVICE KIT	6.000	4.767	1.100
69799	65056W	67094	STANDARD SERVICE KIT	6.312	4.767	1.180

NOTE: All dimensions are shown in inches.

* Designed for installation into the bearing bore.

CAUTION! Dimensions shown are nominal sizes listed for part identification only. Not intended for design purposes.

SEAL & SEAL KIT SPECIFICATIONS

MVP SEALS AND SEAL KITS BY KIT NUMBER (Continued)

All dimensions are shown in inches.

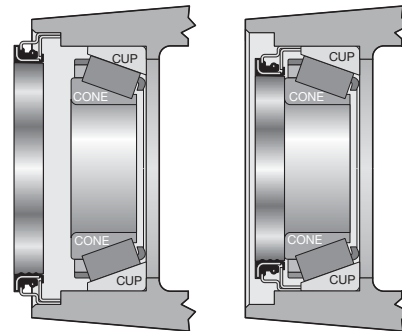
KIT NUMBER	SEAL NUMBER	SLEEVE NUMBER	TYPE	BORE DIAMETER	SHAFT DIAMETER	OVERALL WIDTH
70541	65271W	68023	SEVERE SERVICE KIT	6.032	4.250	0.855
70561	65061	68061	SEVERE SERVICE KIT	5.750	4.000	0.900
70596	65262W	68023	SEVERE SERVICE KIT	6.008	4.250	0.915
70598	65060W	68048	SEVERE SERVICE KIT	6.000	4.625	0.860
70788	65171W	68088	SEVERE SERVICE KIT	6.250	4.250	0.665
70789	65283W	68094	SEVERE SERVICE KIT	7.000	4.767	1.290
70791	65072W*	68093	SEVERE SERVICE KIT	6.000	4.500	1.102
70796	65272W	68092	SEVERE SERVICE KIT	5.750	4.500	0.935
70798	65065W*	68094	SEVERE SERVICE KIT	6.000	4.767	1.100
70799	65056W	68094	SEVERE SERVICE KIT	6.312	4.767	1.180
-	65000U	-	UNITIZED SEAL	5.375	4.500	1.000
-	65024U	-	UNITIZED SEAL	5.500	3.875	0.687
-	65027U	O.E.M.	UNITIZED SEAL	5.500	4.165	0.687
-	65030U	-	UNITIZED SEAL	7.375	5.250	0.920
-	65060U	-	UNITIZED SEAL	6.000	4.625	0.970
-	65071U	-	UNITIZED SEAL	6.250	4.250	1.250
-	65078U	-	UNITIZED SEAL	5.875	4.500	1.000
-	65092U	-	UNITIZED SEAL	5.906	4.375	1.030
-	65111U	-	UNITIZED SEAL	4.750	3.437	0.820
-	65116U	-	UNITIZED SEAL	4.500	3.250	0.687
-	65152U∞	-	UNITIZED SEAL	5.690	3.875	0.920
-	65156U	-	UNITIZED SEAL	6.312	4.767	1.175
-	65165U	-	UNITIZED SEAL	6.250	4.767	0.770
-	65172U	-	UNITIZED SEAL	6.250	4.500	0.750
-	65184U	-	UNITIZED SEAL	6.250	4.375	0.750
-	65261U	-	UNITIZED SEAL	5.750	4.000	0.900
-	65262U	-	UNITIZED SEAL	6.008	4.250	1.015
-	65263U	-	UNITIZED SEAL	4.843	3.500	0.975
-	65270U	-	UNITIZED SEAL	5.750	4.500	1.000
-	65275U	-	UNITIZED SEAL	5.125	3.875	0.687
-	65283U	-	UNITIZED SEAL	7.000	4.767	1.312
-	65291U	-	UNITIZED SEAL	4.812	3.625	0.900
-	65294U	67038	UNITIZED SEAL	5.125	3.875	1.000
-	65298U	-	UNITIZED SEAL	5.750	4.375	1.000
-	65356U	-	UNITIZED SEAL	6.312	4.767	1.175

NOTE: All dimensions are shown in inches.

* Designed for installation into the bearing bore.

∞ Use 65024U for GM applications. Remove OEM spacer.

CAUTION! Dimensions shown are nominal sizes listed for part identification only. Not intended for design purposes.



Seal in Seal Bore

Seal in Bearing Bore

Some of the Oil Bath Seals have been engineered for installation into the bearing bore.



SEAL & SEAL KIT SPECIFICATIONS

MVP SEALS AND SEAL KITS BY BORE DIAMETER

All dimensions are shown in inches.

KIT NUMBER	SEAL NUMBER	SLEEVE NUMBER	TYPE	BORE DIAMETER	SHAFT DIAMETER	OVERALL WIDTH
69645	65091	63008	STANDARD SERVICE KIT	3.875	2.875	0.750
69612	65280	63008	STANDARD SERVICE KIT	4.125	2.875	0.812
69603	65005*	63052	STANDARD SERVICE KIT	4.125	3.125	0.671
69695	65055W	63008	STANDARD SERVICE KIT	4.175	2.875	0.755
69730	65018*	63064	STANDARD SERVICE KIT	4.437	3.125	0.812
69732	65016*	63075	STANDARD SERVICE KIT	4.437	3.187	0.812
69611	65016*	63017	STANDARD SERVICE KIT	4.437	3.250	0.812
69731	65019*	63074	STANDARD SERVICE KIT	4.437	3.312	0.812
69636	65069*	67036	STANDARD SERVICE KIT	4.450	3.500	0.845
69604	65293	63050	STANDARD SERVICE KIT	4.500	2.125	0.625
69785	65011W*	63062	STANDARD SERVICE KIT	4.625	3.437	0.937
69786	65011W*	63063	STANDARD SERVICE KIT	4.625	3.500	0.937
-	65116U	-	UNITIZED SEAL	4.500	3.250	0.687
69607	65002	63049	STANDARD SERVICE KIT	4.750	2.750	0.750
-	65111U	-	UNITIZED SEAL	4.750	3.437	0.820
-	65291U	-	UNITIZED SEAL	4.812	3.625	0.900
69693	65291W	63034	STANDARD SERVICE KIT	4.812	3.625	0.812
-	65263U	-	UNITIZED SEAL	4.843	3.500	0.975
69699	65263W	67036	STANDARD SERVICE KIT	4.843	3.500	0.900
69625	65292	63035	STANDARD SERVICE KIT	5.000	2.500	0.468
69689	65073W	63051	STANDARD SERVICE KIT	5.000	2.500	0.750
69623	65289	63033	STANDARD SERVICE KIT	5.000	2.593	0.468
69622	65289	63032	STANDARD SERVICE KIT	5.000	2.625	0.468
69591	65073W	63047	STANDARD SERVICE KIT	5.000	3.194	0.750
69587	65073W	67014	STANDARD SERVICE KIT	5.000	3.247	0.750
69589	65073W	63010	STANDARD SERVICE KIT	5.000	3.315	0.750
69507	65289	67036	STANDARD SERVICE KIT	5.000	3.500	0.468
69590	65073W	67036	STANDARD SERVICE KIT	5.000	3.500	0.750
69688	65073W	63063	STANDARD SERVICE KIT	5.000	3.500	0.750
69616	65294W	63011	STANDARD SERVICE KIT	5.125	2.500	1.000
69628	65294W	63038	STANDARD SERVICE KIT	5.125	2.625	1.000
-	65275U	-	UNITIZED SEAL	5.125	3.875	0.687
-	65294U	67038	UNITIZED SEAL	5.125	3.875	1.000
69705	65275	63012	STANDARD SERVICE KIT	5.125	3.875	0.630
69794	65052W*	63091	STANDARD SERVICE KIT	5.250	3.875	1.046
69635	65267W	63059	STANDARD SERVICE KIT	5.375	2.562	0.930
69620	65267W	63029	STANDARD SERVICE KIT	5.375	2.625	0.930
69711	65267W	63018	STANDARD SERVICE KIT	5.375	3.937	0.930
69691	65000W	63009	STANDARD SERVICE KIT	5.375	4.000	1.000
-	65000U	-	UNITIZED SEAL	5.375	4.500	1.000
69692	65000W	63093	STANDARD SERVICE KIT	5.375	4.500	1.000
-	65024U	-	UNITIZED SEAL	5.500	3.875	0.687
69787	65054W	63018	STANDARD SERVICE KIT	5.500	3.937	1.000
69743	65027	O.E.M.	STANDARD SERVICE KIT	5.500	4.156	0.625

NOTE: All dimensions are shown in inches.

* Designed for installation into the bearing bore.

CAUTION! Dimensions shown are nominal sizes listed for part identification only. Not intended for design purposes.

SEAL & SEAL KIT SPECIFICATIONS

MVP SEALS AND SEAL KITS BY BORE DIAMETER (Continued)

All dimensions are shown in inches.

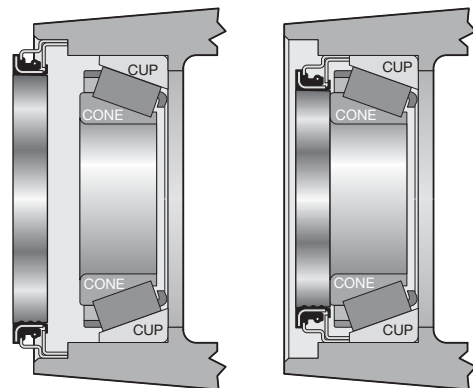
KIT NUMBER	SEAL NUMBER	SLEEVE NUMBER	TYPE	BORE DIAMETER	SHAFT DIAMETER	OVERALL WIDTH
-	65027U	O.E.M.	UNITIZED SEAL	5.500	4.165	0.687
69706	65276	63012	STANDARD SERVICE KIT	5.690	3.875	0.625
-	65152U*	-	UNITIZED SEAL	5.690	3.875	0.920
69161	65061	63161	STANDARD SERVICE KIT	5.750	3.750	0.900
-	65261U	-	UNITIZED SEAL	5.750	4.000	0.900
70561	65061	68061	SEVERE SERVICE KIT	5.750	4.000	0.900
-	65298U	-	UNITIZED SEAL	5.750	4.375	1.000
69599	65298W	63037	STANDARD SERVICE KIT	5.750	4.375	1.000
-	65270U	-	UNITIZED SEAL	5.750	4.500	1.000
69796	65272W	67093	STANDARD SERVICE KIT	5.750	4.500	0.935
70796	65272W	68092	SEVERE SERVICE KIT	5.750	4.500	0.935
-	65078U	-	UNITIZED SEAL	5.875	4.500	1.000
69696	65078W	63093	STANDARD SERVICE KIT	5.875	4.500	0.937
-	65092U	-	UNITIZED SEAL	5.906	4.375	1.030
69697	65092W	63037	STANDARD SERVICE KIT	5.906	4.375	1.015
69751	65070*	63054	STANDARD SERVICE KIT	6.000	4.125	0.937
69797	65084W*	63026	STANDARD SERVICE KIT	6.000	4.375	1.140
69791	65072W*	67093	STANDARD SERVICE KIT	6.000	4.500	1.102
70791	65072W*	68093	SEVERE SERVICE KIT	6.000	4.500	1.102
-	65060U	-	UNITIZED SEAL	6.000	4.625	0.970
69598	65060W	67048	STANDARD SERVICE KIT	6.000	4.625	0.860
70598	65060W	68048	SEVERE SERVICE KIT	6.000	4.625	0.860
69753	65070*	63079	STANDARD SERVICE KIT	6.000	4.767	0.937
69798	65065W*	67094	STANDARD SERVICE KIT	6.000	4.767	1.100
70798	65065W*	68094	SEVERE SERVICE KIT	6.000	4.767	1.100
69517	65262W	63003	STANDARD SERVICE KIT	6.008	2.875	0.915
69698	65262W	63041	STANDARD SERVICE KIT	6.008	3.000	0.915
69594	65262W	63022	STANDARD SERVICE KIT	6.008	3.500	0.915
-	65262U	-	UNITIZED SEAL	6.008	4.250	1.015
69520	65262W	63023	STANDARD SERVICE KIT	6.008	4.250	0.915
69596	65262W	67023	STANDARD SERVICE KIT	6.008	4.250	0.915
70596	65262W	68023	SEVERE SERVICE KIT	6.008	4.250	0.915
69538	65271W	63080	STANDARD SERVICE KIT	6.032	3.250	0.855
69524	65271W	63006	STANDARD SERVICE KIT	6.032	3.347	0.855

NOTE: All dimensions are shown in inches.

* Designed for installation into the bearing bore.

∞ Use 65024U for GM applications. Remove OEM spacer.

CAUTION! Dimensions shown are nominal sizes listed for part identification only. Not intended for design purposes.



Seal in Seal Bore

Seal in Bearing Bore

Some of the Oil Bath Seals have been engineered for installation into the bearing bore.

SEAL & SEAL KIT SPECIFICATIONS

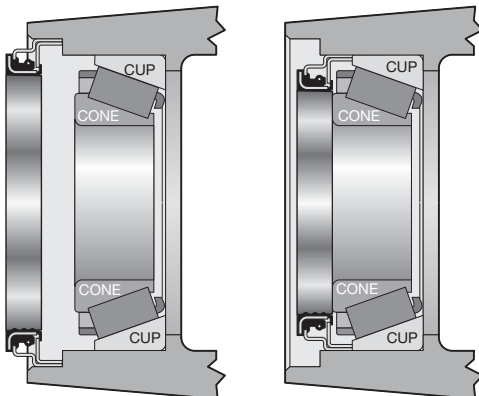
MVP SEALS AND MVP SEAL BY BORE DIAMETER (Continued)

All dimensions are shown in inches.

KIT NUMBER	SEAL NUMBER	SLEEVE NUMBER	TYPE	BORE DIAMETER	SHAFT DIAMETER	OVERALL WIDTH
69523	65271W	63005	STANDARD SERVICE KIT	6.032	3.875	0.855
69541	65271W	67023	STANDARD SERVICE KIT	6.032	4.250	0.855
70541	65271W	68023	SEVERE SERVICE KIT	6.032	4.250	0.855
69795	65277W	63014	STANDARD SERVICE KIT	6.062	4.262	0.600
69788	65171W	63088	STANDARD SERVICE KIT	6.250	4.250	0.665
70788	65171W	68088	SEVERE SERVICE KIT	6.250	4.250	0.665
-	65184U	-	UNITIZED SEAL	6.250	4.375	0.750
69792	65285W	63026	STANDARD SERVICE KIT	6.250	4.375	1.100
-	65071U	-	UNITIZED SEAL	6.250	4.250	1.250
-	65172U	-	UNITIZED SEAL	6.250	4.500	0.750
-	65165U	-	UNITIZED SEAL	6.250	4.767	0.770
69779	65297W	63079	STANDARD SERVICE KIT	6.250	4.767	0.880
69780	65297W	63028	STANDARD SERVICE KIT	6.250	4.875	0.880
69750	65044	63007	STANDARD SERVICE KIT	6.250	5.000	1.076
-	65156U	-	UNITIZED SEAL	6.312	4.767	1.175
-	65356U	-	UNITIZED SEAL	6.312	4.767	1.175
69799	65056W	67094	STANDARD SERVICE KIT	6.312	4.767	1.180
70799	65056W	68094	SEVERE SERVICE KIT	6.312	4.767	1.180
69522	65028	63021	STANDARD SERVICE KIT	6.312	4.823	1.000
69784	65287W	63083	STANDARD SERVICE KIT	6.375	4.625	0.875
69690	65287W	63028	STANDARD SERVICE KIT	6.375	4.875	0.875
69514	65299	63044	STANDARD SERVICE KIT	6.437	3.500	0.930
69502	65299	63054	STANDARD SERVICE KIT	6.437	4.125	0.930
69512	65299	63043	STANDARD SERVICE KIT	6.437	4.500	0.930
69640	65299	63028	STANDARD SERVICE KIT	6.437	4.875	0.930
69516	65269W	63045	STANDARD SERVICE KIT	6.500	4.250	1.060
69783	65269W	63095	STANDARD SERVICE KIT	6.500	4.562	1.060
69513	65269W	63021	STANDARD SERVICE KIT	6.500	4.823	1.060
69782	65269W	67009	STANDARD SERVICE KIT	6.500	4.875	1.060
-	65283U	-	UNITIZED SEAL	7.000	4.767	1.312
69789	65283W	67094	STANDARD SERVICE KIT	7.000	4.767	1.290
70789	65283W	68094	SEVERE SERVICE KIT	7.000	4.767	1.290
-	65030U	-	SEVERE SERVICE KIT	7.375	5.250	0.920
69781	65030W	67067	STANDARD SERVICE KIT	7.375	5.250	0.775

NOTE: All dimensions are shown in inches.

CAUTION! Dimensions shown are nominal sizes listed for part identification only. Not intended for design purposes.



Seal in Seal Bore

Seal in Bearing Bore

Some of the Oil Bath Seals have been engineered for installation into the bearing bore.

SEAL & SEAL KIT SPECIFICATIONS

MVP SEALS AND SEAL KITS BY SHAFT DIAMETER

All dimensions are shown in inches.

KIT NUMBER	SEAL NUMBER	SLEEVE NUMBER	TYPE	BORE DIAMETER	SHAFT DIAMETER	OVERALL WIDTH
69604	65293	63050	STANDARD SERVICE KIT	4.500	2.125	0.625
69625	65292	63035	STANDARD SERVICE KIT	5.000	2.500	0.468
69689	65073W	63051	STANDARD SERVICE KIT	5.000	2.500	0.750
69616	65294W	63011	STANDARD SERVICE KIT	5.125	2.500	1.000
69635	65267W	63059	STANDARD SERVICE KIT	5.375	2.562	0.930
69623	65289	63033	STANDARD SERVICE KIT	5.000	2.593	0.468
69622	65289	63032	STANDARD SERVICE KIT	5.000	2.625	0.468
69628	65294W	63038	STANDARD SERVICE KIT	5.125	2.625	1.000
69620	65267W	63029	STANDARD SERVICE KIT	5.375	2.625	0.930
69607	65002	63049	STANDARD SERVICE KIT	4.750	2.750	0.750
69645	65091	63008	STANDARD SERVICE KIT	3.875	2.875	0.750
69612	65280	63008	STANDARD SERVICE KIT	4.125	2.875	0.812
69695	65055W	63008	STANDARD SERVICE KIT	4.175	2.875	0.755
69517	65262W	63003	STANDARD SERVICE KIT	6.008	2.875	0.915
69698	65262W	63041	STANDARD SERVICE KIT	6.008	3.000	0.915
69603	65005*	63052	STANDARD SERVICE KIT	4.125	3.125	0.671
69730	65018*	63064	STANDARD SERVICE KIT	4.437	3.125	0.812
69732	65016*	63075	STANDARD SERVICE KIT	4.437	3.187	0.812
69591	65073W	63047	STANDARD SERVICE KIT	5.000	3.194	0.750
69587	65073W	67014	STANDARD SERVICE KIT	5.000	3.247	0.750
69611	65016*	63017	STANDARD SERVICE KIT	4.437	3.250	0.812
-	65116U	-	UNITIZED SEAL	4.737	3.250	0.687
69538	65271W	63080	STANDARD SERVICE KIT	6.032	3.250	0.855
69731	65019*	63074	STANDARD SERVICE KIT	4.437	3.312	0.812
69589	65073W	63010	STANDARD SERVICE KIT	5.000	3.315	0.750
69524	65271W	63006	STANDARD SERVICE KIT	6.032	3.347	0.855
69785	65011W*	63062	STANDARD SERVICE KIT	4.625	3.437	0.937
-	65111U	-	UNITIZED SEAL	4.500	3.437	0.820
69636	65069*	67036	STANDARD SERVICE KIT	4.450	3.500	0.845
69786	65011W*	63063	STANDARD SERVICE KIT	4.625	3.500	0.937
69699	65263W	67036	STANDARD SERVICE KIT	4.843	3.500	0.900
-	65263U	-	UNITIZED SEAL	4.843	3.500	0.975
69507	65289	67036	STANDARD SERVICE KIT	5.000	3.500	0.468
69590	65073W	67036	STANDARD SERVICE KIT	5.000	3.500	0.750
69688	65073W	63063	STANDARD SERVICE KIT	5.000	3.500	0.750
69594	65262W	63022	STANDARD SERVICE KIT	6.008	3.500	0.915
69514	65299	63044	STANDARD SERVICE KIT	6.437	3.500	0.930
69693	65291W	63034	STANDARD SERVICE KIT	4.812	3.625	0.812
-	65291U	-	UNITIZED SEAL	4.812	3.625	0.900
69161	65061	63161	STANDARD SERVICE KIT	5.750	3.750	0.900

NOTE: All dimensions are shown in inches.

* Designed for installation into the bearing bore.

CAUTION! Dimensions shown are nominal sizes listed for part identification only. Not intended for design purposes.

SEAL & SEAL KIT SPECIFICATIONS

MVP SEALS AND MVP SEAL BY SHAFT DIAMETER (Continued)

All dimensions are shown in inches.

KIT NUMBER	SEAL NUMBER	SLEEVE NUMBER	TYPE	BORE DIAMETER	SHAFT DIAMETER	OVERALL WIDTH
69705	65275	63012	STANDARD SERVICE KIT	5.125	3.875	0.630
-	65275U	-	UNITIZED SEAL	5.125	3.875	0.687
-	65294U	67038	UNITIZED SEAL	5.125	3.875	1.000
69794	65052W*	63091	STANDARD SERVICE KIT	5.250	3.875	1.046
-	65024U	-	UNITIZED SEAL	5.500	3.875	0.687
69706	65276	63012	STANDARD SERVICE KIT	5.690	3.875	0.625
-	65152U [∞]	-	UNITIZED SEAL	5.690	3.875	0.920
69523	65271W	63005	STANDARD SERVICE KIT	6.032	3.875	0.855
69711	65267W	63018	STANDARD SERVICE KIT	5.375	3.937	0.930
69787	65054W	63018	STANDARD SERVICE KIT	5.500	3.937	1.000
69691	65000W	63009	STANDARD SERVICE KIT	5.375	4.000	1.000
70561	65061	68061	SEVERE SERVICE KIT	5.750	4.000	0.900
-	65261U	-	UNITIZED SEAL	5.750	4.000	0.900
69751	65070*	63054	STANDARD SERVICE KIT	6.000	4.125	0.937
69502	65299	63054	STANDARD SERVICE KIT	6.437	4.125	0.930
69743	65027	O.E.M.	STANDARD SERVICE KIT	5.500	4.156	0.625
-	65027U	O.E.M.	UNITIZED SEAL	5.500	4.165	0.687
69520	65262W	63023	STANDARD SERVICE KIT	6.008	4.250	0.915
69596	65262W	67023	STANDARD SERVICE KIT	6.008	4.250	0.915
70596	65262W	68023	SEVERE SERVICE KIT	6.008	4.250	0.915
-	65262U	-	UNITIZED SEAL	6.008	4.250	1.015
69541	65271W	67023	STANDARD SERVICE KIT	6.032	4.250	0.855
70541	65271W	68023	SEVERE SERVICE KIT	6.032	4.250	0.855
69788	65171W	63088	STANDARD SERVICE KIT	6.250	4.250	0.665
70788	65171W	68088	SEVERE SERVICE KIT	6.250	4.250	0.665
69516	65269W	63045	STANDARD SERVICE KIT	6.500	4.250	1.060
69795	65277W	63014	STANDARD SERVICE KIT	6.062	4.262	0.600
69599	65298W	63037	STANDARD SERVICE KIT	5.750	4.375	1.000
-	65298U	-	UNITIZED SEAL	5.750	4.375	1.000
69697	65092W	63037	STANDARD SERVICE KIT	5.906	4.375	1.015
-	65092U	-	UNITIZED SEAL	5.906	4.375	1.030
69797	65084W*	63026	STANDARD SERVICE KIT	6.000	4.375	1.140
69792	65285W	63026	STANDARD SERVICE KIT	6.250	4.375	1.100
-	65184U	-	UNITIZED SEAL	6.250	4.375	0.750
69692	65000W	63093	STANDARD SERVICE KIT	5.375	4.500	1.000
-	65000U	-	UNITIZED SEAL	5.375	4.500	1.000
69796	65272W	67093	STANDARD SERVICE KIT	5.750	4.500	0.935
70796	65272W	68092	SEVERE SERVICE KIT	5.750	4.500	0.935
-	65270U	-	UNITIZED SEAL	5.750	4.500	1.000
69696	65078W	63093	STANDARD SERVICE KIT	5.875	4.500	0.937
-	65078U	-	UNITIZED SEAL	5.875	4.500	1.000
69791	65072W*	67093	STANDARD SERVICE KIT	6.000	4.500	1.102
70791	65072W*	68093	SEVERE SERVICE KIT	6.000	4.500	1.102
-	65071U	-	UNITIZED SEAL	6.250	4.250	1.250
-	65172U	-	UNITIZED SEAL	6.250	4.500	0.750
69512	65299	63043	STANDARD SERVICE KIT	6.437	4.500	0.930

NOTE: All dimensions are shown in inches.

* Designed for installation into the bearing bore.

[∞] Use 65024U for GM applications. Remove OEM spacer.

CAUTION! Dimensions shown are nominal sizes listed for part identification only. Not intended for design purposes.

SEAL & SEAL KIT SPECIFICATIONS

MVP SEALS AND SEAL KITS BY SHAFT DIAMETER (Continued)

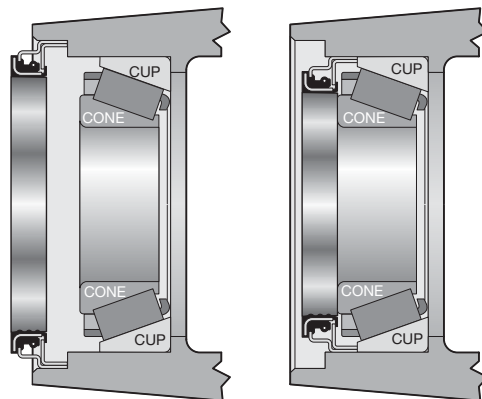
All dimensions are shown in inches.

KIT NUMBER	SEAL NUMBER	SLEEVE NUMBER	TYPE	BORE DIAMETER	SHAFT DIAMETER	OVERALL WIDTH
69783	65269W	63095	STANDARD SERVICE KIT	6.500	4.562	1.060
69598	65060W	67048	STANDARD SERVICE KIT	6.000	4.625	0.860
70598	65060W	68048	SEVERE SERVICE KIT	6.000	4.625	0.860
-	65060U	-	UNITIZED SEAL	6.000	4.625	0.970
69784	65287W	63083	STANDARD SERVICE KIT	6.375	4.625	0.875
69753	65070*	63079	STANDARD SERVICE KIT	6.000	4.767	0.937
69798	65065W*	67094	STANDARD SERVICE KIT	6.000	4.767	1.100
70798	65065W*	68094	SEVERE SERVICE KIT	6.000	4.767	1.100
69779	65297W	63079	STANDARD SERVICE KIT	6.250	4.767	0.880
-	65165U	-	UNITIZED SEAL	6.250	4.767	0.770
69799	65056W	67094	STANDARD SERVICE KIT	6.312	4.767	1.180
70799	65056W	68094	SEVERE SERVICE KIT	6.312	4.767	1.180
-	65156U	-	UNITIZED SEAL	6.312	4.767	1.175
-	65356U	-	UNITIZED SEAL	6.312	4.767	1.175
69789	65283W	67094	STANDARD SERVICE KIT	7.000	4.767	1.290
70789	65283W	68094	SEVERE SERVICE KIT	7.000	4.767	1.290
-	65283U	-	UNITIZED SEAL	7.000	4.767	1.312
69522	65028	63021	STANDARD SERVICE KIT	6.312	4.823	1.000
69513	65269W	63021	STANDARD SERVICE KIT	6.500	4.823	1.060
69780	65297W	63028	STANDARD SERVICE KIT	6.250	4.875	0.880
69690	65287W	63028	STANDARD SERVICE KIT	6.375	4.875	0.875
69640	65299	63028	STANDARD SERVICE KIT	6.437	4.875	0.930
69782	65269W	67009	STANDARD SERVICE KIT	6.500	4.875	1.060
69750	65044	63007	STANDARD SERVICE KIT	6.250	5.000	1.076
69781	65030W	67067	STANDARD SERVICE KIT	7.375	5.250	0.775
-	65030U	-	UNITIZED SEAL	7.375	5.250	0.920

NOTE: All dimensions are shown in inches.

* Designed for installation into the bearing bore.

CAUTION! Dimensions shown are nominal sizes listed for part identification only. Not intended for design purposes.



Seal in Seal Bore

Seal in Bearing Bore

Some of the Oil Bath Seals have been engineered for installation into the bearing bore.

BEARING TO SEAL QUICK REFERENCE

INNER BEARING CUP / CONE	OUTER BEARING CUP / CONE	STANDARD SERVICE KIT	SEVERE SERVICE KIT	UNITIZED SEAL
28920 / 28995	25523 / 25580	69612	-	-
	2720 / 2794	69612	-	-
33462 / 33281	3920 / 3982	69785	-	65111U
	39520 / 39585	69786	-	-
33462 / 33287	3920 / 3982	69785	-	65111U
33472 / 33281	3925 / 3984	69743	-	65027U
33472 / 33287	3925 / 3982	69743	-	65027U
3920 / 3982	3820 / 3877	69689	-	-
3920 / 3984	29520 / 29585	69731	-	-
	453X / 462	69730	-	-
		69732	-	-
39412 / 39250	4335 / 4395	69507	-	-
39520 / 39578	25520 / 25572	69604	-	-
39520 / 39581	26820 / 26878	69611	-	65116U
	3525 / 3585	69699	-	65263U
		69636	-	-
42620 / 42687	39520 / 39590	69587	-	-
42620 / 42688	39520 / 39585	69705	-	65275U
45220 / 45284	25820 / 25880	69695	-	-
		69612	-	-
		69695	-	-
		69603	-	-
45220 / 45285	2720 / 2793	69603	-	-
	2720 / 2796	69603	-	-
4536 / 4595	414A / 418	69604	-	-
47620 / 47678	39520 / 39590	69794	-	65152U [∞]
47620 / 47685	39520 / 39590	69794	-	65152U [∞]
47620 / 47686	39520 / 39590	69706	-	-
		69743	-	65027U
		69794	-	65152U [∞]
493 / 495AX	3920 / 3984	69711	-	-
		69743	-	65027U
		69787	-	-
49620 / 42687	39520 / 39590	69589	-	-
52637 / 52401	592A / 596	69513	-	-
552 / 559	3525 / 3583	69625	-	-
552A / 559	522 / 526	69689	-	-
552A / 560S	414 / 419	69591	-	-
5535 / 5595	3720 / 3782	69623	-	-
553X / 557A	3720 / 3782	69590	-	-
		69699	-	65263U
553X / 559	3525 / 3583	69625	-	-
563 / 567	33462 / 33275	69688	-	-
		69589	-	-
		69590	-	-
572 / 575	572 / 575		-	-
572 / 580	563 / 567		-	-
		69796	70796	65270U
572 / 582	47620 / 47687	69795	-	-
	563 / 567	69796	70796	65270U
5720 / 5752	5535 / 5565	69517	-	-
5735 / 5760	45220 / 45287	69698	-	-
	572 / 575	69706	-	-

∞ Use 65024U for GM application. Remove OEM seal spacer.
Designed for installation into bearing bore.

BEARING TO SEAL QUICK REFERENCE

INNER BEARING CUP / CONE	OUTER BEARING CUP / CONE	STANDARD SERVICE KIT	SEVERE SERVICE KIT	UNITIZED SEAL
592 / 598	572 / 575	69799	70799	65156U ²³
		69799	70799	65156U ²³
592A / 593	65320 / 65390	69520	70596	65262U
		69594	-	-
	69596	70596	65262U	
592A / 594	572 / 580	69791	70791	65172U
		69799	70799	65156U ²³
		69799	70799	65156U ²³
592A / 594A	572 / 580	69791	70791	65172U
		69799	70799	65156U ²³
	69799	70799	65156U ²³	
592A / 594A	HM516410 / HM516449	69522	-	-
	592A / 595	571 / 581	69753	-
572 / 580		69797	-	65184U
592A / 598	572 / 575	69797	-	65184U
		69779	-	-
	69792	-	-	
	752 / 758	69779	-	-
		69792	-	-
	HM617010 / HM617049	69779	-	-
		69780	-	-
69792		-	-	
592A / 598A	572 / 580	69780	-	-
		69799	70799	65156U ²³
		69799	70799	65156U ²³
	572 / 582	69780	-	-
		69798	70798	65165U
		69798	70798	65165U
HM516410 / HM516449	69522	-	-	
612 / 623	522 / 525	69607	-	-
632 / 641	3920 / 3979	69692	-	65000U
6320 / 6379	552A / 557S	69635	-	-
6320 / 6386	532A / 537	69620	-	-
6320 / 6386A	532A / 537	69691	-	-
6320 / 6389	532A / 537	69620	-	-
633 / 639	65320 / 65385	69616	-	-
633 / 641	65320 / 65385	69628	-	65294U**
6420 / 6461	3920 / 3979	69697	-	65092U
	552A / 555S	69697	-	65092U
	612 / 621	69698	-	-
652 / 663	572 / 575	69750	-	-
		69788	70788	65071U
652 / 665	652 / 663	69751	-	-
653 / 663	553X / 559	69538	-	-
	553X / 560		70561	65261U
	HM212011 / HM212049		70561	65261U
		69599	-	65298U
653 / 663A	47620 / 47687	69795	-	-

**R65294U must be used with bearing spacer R67038.
Designed for installation into bearing bore.

²³ Use 69799 / 65156U when there is ABS interference.

BEARING TO SEAL QUICK REFERENCE

INNER BEARING CUP / CONE	OUTER BEARING CUP / CONE	STANDARD SERVICE KIT	SEVERE SERVICE KIT	UNITIZED SEAL
672 / 681A	572 / 575	69789	70789	65283U
672 / 683	572 / 580	69789	70789	65283U
672 / 687	772 / 780	69781	-	65030U
742 / 749	632 / 643	69523	-	-
		69524	-	-
		69541	70541	-
	633 / 643	69524	-	-
742 / 749A	5535 / 5584	69538	-	-
752 / 756A	HM212011 / HM212046	69640	-	-
		69690	-	-
752 / 758	663 / 665	69783	-	-
752 / 759	742 / 740	69502	-	-
		69512	-	-
		69514	-	-
752 / 760	652 / 665	69784	-	-
	742 / 749	69516	-	-
		69782	-	-
		69783	-	-
772 / 780	52618 / 52400	69781	-	65030U
	772 / 776	69781	-	65030U
	77675 / 77375	69781	-	65030U
	854 / 864	69781	-	65030U
H715311 / H715345	28622 / 28682	69696	-	65078U
	3920 / 3979	69692	-	65000U
HM212010 / HM212049	28622 / 28682	69692	-	65000U
HM212011 / HM212044	3720 / 3782	69590	-	-
		69699	-	65263U
HM212011 / HM212046	3525 / 3583	69625	-	-
HM212011 / HM212047	3720 / 3782	69699	-	65263U
	3720 / 3799	69693	-	65291U
	45220 / 45282	69693	-	65291U
HM212011 / HM212049	3720 / 3780	69699	-	65263U
	3720 / 3782	69622	-	-
	45220 / 45280	69628	-	65294U**
HM218210 / HM218248	HM212011 / HM212049	69598	70598	65060U
HM516410 / HM416449	47620 / 47679	69750	-	-
		69788	70788	65071U
HM518410 / HM518445	HM506310 / HM506348	69520	70596	65262U
		69596	70596	65262U
HM518410 / HM518445	HM518410 / HM518445	69520	70596	65262U
		69596	70596	65262U
JM205110 / JM205149	25820 / 25877	69645	-	-
JM207010 / JM207049	25820 / 25877	69645	-	-

Designed for installation into bearing bore.

**R65294U must be used with bearing spacer R67038.

MASTER SEAL INTERCHANGE

PART NUMBER	MANU-FACTURER	STANDARD SERVICE KIT	SEVERE SERVICE KIT	UNITIZED SEAL
027120703Y	White	69622	-	-
070HH172	Dana / Spicer	69794 (5)	-	65152U (4)
10030D2	Reo	69690	-	-
10050141	Trailmobile		70561 (2)	65261U
1005060	Trailmobile	69598	70598	65060U
100858401	Eaton	69699	-	65263U
10092D6	White	69594	-	-
101314	White	69690	-	-
1013436	White	69697	-	65092U
1042112	White	69697	-	65092U
1046472	White	69730	-	-
110021R91	International	69699	-	65263U
110976	GMC	69604	-	-
111199A	Oshkosh	69799	70799 (6)	65156U
111908R91	International	69750	-	-
112876R91	International	69785	-	65111U
11702073E91	International	69711	-	-
1170289E91	International	69699	-	65263U
117D6	Reo		70561 (2)	65261U
1192D6	White	69799	70799 (6)	65156U
1199A1665	Meritor	69522	-	-
1199B1224	Meritor	69789	70789	65283U
1199B1614	Meritor	69783	-	-
1199B1614	Meritor-Trailer	69522	-	-
1199B1666	Meritor	69789	70789	65283U
1199E1669	Meritor	69799	70799 (6)	65156U
1199J2428	Meritor	69789	70789	65283U
1199V1296	Meritor	69795	-	-
11CH0210	White	69799	70799 (6)	65156U
11KU146	Mack	69750	-	-
1204	CR	69590	-	-
1205	CR	69711	-	-
1205B1250	Meritor	69598	70598	65060U
1205L1338	Meritor	69699	-	65263U
1205M1469	Meritor	69599	-	65298U
1206	CR	69794 (5)	-	65152U (4)
1207	CR	69792	-	-
120728	GMC	69604	-	-
1208	CR	69798	70798	65165U
1211	CR	69799	70799 (6)	65156U
1212 w/758	CR	69783	-	-
1212 w/758759	CR	69783	-	-
1213	CR	69789	70789	65283U
1215	CR	69799	70799 (6)	65156U
1216	CR	69789	70789	65283U
121821	White	69507	-	-
123805R91	International	69791	70791	65172U
124198PS	White	69796	70796	65270U
1244P692	Meritor	69783	-	-
1306	CR	69730	-	-
1306 w/3984	CR	69730	-	-
130612K	National	69799	70799 (6)	65156U
130624K	National	69799	70799 (6)	65156U
1307	CR	69785	-	65111U

PART NUMBER	MANU-FACTURER	STANDARD SERVICE KIT	SEVERE SERVICE KIT	UNITIZED SEAL
1307 w/33287	CR	69785	-	65111U
1308 w/47686	CR	69794 (5)	-	65152U (4)
131HH100	Dana / Spicer	69620	-	-
13520	Crane	69699	-	65263U
13521	Crane	69799	70799 (6)	65156U
13526	Crane	69699	-	65263U
13529	Crane	69797	-	65184U
13532	Crane	69699	-	65263U
13533	Crane	69697	-	65092U
13536	Crane	69699	-	65263U
13538	Crane	69697	-	65092U
13539	Crane	69697	-	65092U
13540	Crane	69599	-	65298U
13541	Crane	69783	-	-
13542	Crane		70561 (2)	65261U
13559	Crane	69697	-	65092U
1367270 w/370630	Oshkosh	69799	70799 (6)	65156U
1367280 w/1372170	Oshkosh	69783	-	-
137902H1	International	69612	-	-
141067R91	International	69731	-	-
141087R91	International	69731	-	-
144002R91	International	69750	-	-
144EX659	Oshkosh	69799	70799 (6)	65156U
145 Series	Midland-Barrier	69520	70596	65262U
145300 w/401222	Midland-Barrier	69520	70596	65262U
145840136	Mack		70561 (2)	65261U
145842623S	Mack	69520	70596	65262U
145843752S	Mack	69599	-	65298U
145843860S	Mack	69797	-	65184U
145845160S	Mack	69791	70791	65172U
145846305S	Mack	69598	70598	65060U
145846305S	Mack	69598	70598	65060U
145847699S	Mack	69789	70789	65283U
147 Series	Midland-Barrier		70561 (2)	65261U
147300 w/401216	Midland-Barrier		-	-
149 Series	Midland-Barrier	69599	-	65298U
149300 w/401219	Midland-Barrier	69599	-	65298U
15056	Trailmobile	-	-	-
15070SB	National	69750	-	-
151 Series	Midland-Barrier	69590	-	-
151300 w/401225	Midland-Barrier	69590	-	-
15140	Trailmobile	69599	-	65298U
151400	Midland-Barrier	69589	-	-
15164	Trailmobile	69791	70791	65172U
15177	Trailmobile	69596	70596	65262U
15342	Trailmobile	69796	70796	65270U
15482	Trailmobile	69599	-	65298U
155 Series	Midland-Barrier	69598	70598	65060U
15508	Trailmobile	69797	-	65184U
15519	Trailmobile	69604	-	-
15519908	GMC	69689	-	-
15519910	GMC	69689	-	-
15520072	GMC	69603	-	-

- (1) FOR BORE DIAMETERS OVER 5.284 USE 70561 KIT
- (2) REPLACES 70597
- (3) 65294U SEAL MUST BE USED WITH 67038 BEARING SPACER

- (4) REMOVAL OF OEM SEAL SPACER IS REQUIRED PRIOR TO INSTALLATION
- (5) FOR BEARING BORE INSTALLTION
- (6) WILL NOT FIT ABS EQUIPPED AXLES
- (8) REQUIRES 67038 ADAPTER

MASTER SEAL INTERCHANGE

PART NUMBER	MANU-FACTURER	STANDARD SERVICE KIT	SEVERE SERVICE KIT	UNITIZED SEAL
15557677	GMC	69799	70799 (6)	65156U
15557678	National	69794 (5)	-	65152U (4)
156 Series	Midland-Barrier	69523	-	-
156300 w/401207	Midland-Barrier	69541	70541	-
157078H3	International	69780	-	-
15770	Trailmobile	69699	-	65263U
1593459	Volvo / GMC	69787	-	-
15995	Trailmobile	69599	-	65298U
16006	Trailmobile	-	70561 (2)	65261U
16023	Trailmobile	69796	70796	65270U
16024	Trailmobile	69798	70798	65165U
16025	Trailmobile	69795	-	-
16027	Trailmobile	69789	70789	65283U
16028	Trailmobile	69797	-	65184U
16029	Trailmobile	69690	-	-
16056	Trailmobile	-	-	-
1609948C1	International	69799	70799 (6)	65156U
16124	Trailmobile	69699	-	65263U
1612823C1	International	69696	-	65078U
16235	Trailmobile	69794 (5)	-	65152U (4)
16427	Trailmobile	69604	-	-
16505	Trailmobile	69512	-	-
16505	Trailmobile	69512	-	-
1654330C1	International	69794 (5)	-	65152U (4)
1654331C1	International	69699	-	65263U
1655102C1	International	69692	-	65000U
16596	Trailmobile	69689	-	-
16597	Trailmobile	69693	-	65291U
1663974	International	69786	-	65111U
166437R91	International	69706	-	-
166437R91	International	69794 (5)	-	65152U (4)
1680802C1	International	69799	70799 (6)	65156U
16858	Trailmobile	69628	-	65294U
16860	Trailmobile	69792	-	-
16861	Trailmobile	69604	-	-
16880	Trailmobile	69689	-	-
1688203C1	International	69699	-	65263U
1730740	White	69711	-	-
1740273	White	69690	-	-
17521	Trailmobile	69794 (5)	-	65152U (4)
17522	Trailmobile	69690	-	-
17576	Trailmobile	69789	70789	65283U
17850	Trailmobile	69598	70598	65060U
17912	Trailmobile	-	70561 (2)	65261U
17KU146	Mack	69750	-	-
18082	Trailmobile	69596	70596	65262U
18084	Trailmobile	-	70561 (2)	65261U
18085	Trailmobile	69599	-	65298U
18086	Trailmobile	69598	70598	65060U
18235	Trailmobile	69598	70598	65060U
18335	Trailmobile	69590	-	-
18361	Trailmobile	69598	70598	65060U
18367	Trailmobile	69598	70598	65060U

PART NUMBER	MANU-FACTURER	STANDARD SERVICE KIT	SEVERE SERVICE KIT	UNITIZED SEAL
18626	Trailmobile	69628	-	65294U
18800	Eaton	69797	-	65184U
18800	White	69797	-	65184U
189254R91	International	69620	-	-
189381R91	International	69797	-	65184U
18TN234	Oshkosh	69792	-	-
18TN234	Oshkosh	69797	-	65184U
18TN399	Oshkosh	69794 (5)	-	65152U (4)
18TN400	Oshkosh	69794 (5)	-	65152U (4)
18TN401	Oshkosh	69794 (5)	-	65152U (4)
18TN402	Oshkosh	-	70561 (2)	65261U
18TN403	Oshkosh	69520	70596	65262U
18TN404	Oshkosh	69788	70788	65071U
18TN405	Oshkosh	69692	-	65000U
18TN406	Oshkosh	69796	70796	65270U
18TN407	Oshkosh	69598	70598	65060U
18TN408	Oshkosh	69690	-	-
18TN654	Oshkosh	69799	70799 (6)	65156U
18TN659	Oshkosh	69798	70798	65165U
18TN660	Oshkosh	69798	70798	65165U
19002532	White	69792	-	-
19325	Eaton	69799	70799 (6)	65156U
19325	Mack	69799	70799 (6)	65156U
194	GMC	69611	-	65116U
19683	Eaton	69786	-	65111U
199123R91	International	69794 (5)	-	65152U (4)
199124R91	International	69791	70791	65172U
199917R91	International	69711	-	-
19QJ19371	Dana / Spicer	69699	-	65263U
19TN134	Oshkosh	69698	-	-
19TN225	Oshkosh	69697	-	65092U
19TN227	Oshkosh	69699	-	65263U
19TN270	Oshkosh	69696	-	65078U
19TN3	Oshkosh	69791	70791	65172U
19TN414	Oshkosh	69799	70799 (6)	65156U
19TN515	Oshkosh	69692	-	65000U
1JG3	Kenworth	69691	-	-
1JG4	Kenworth	69699	-	65263U
1JG5	Kenworth	69690	-	-
1QFA3141	Mack	69781	-	65030U
1QFA3145	Mack	69792	-	-
1QFA3146	Mack	69796	70796	65270U
1QFA3147	Mack	69788	70788	65071U
1QFL330	Mack	69797	-	65184U
2002E1175DA	Ford	69698	-	-
2006512	GMC	69799	70799 (6)	65156U
2008723	GMC	69699	-	65263U
201 Series	Midland-Barrier	69692	-	65000U
201140R91	International	69791	70791	65172U
201300/401201	Midland-Barrier	69692	-	65000U
202 Series	Midland-Barrier	69692	-	65000U
202300/401201	Midland-Barrier	69692	-	65000U

- (1) FOR BORE DIAMETERS OVER 5.284 USE 70561 KIT
- (2) REPLACES 70597
- (3) 65294U SEAL MUST BE USED WITH 67038 BEARING SPACER

- (4) REMOVAL OF OEM SEAL SPACER IS REQUIRED PRIOR TO INSTALLATION
- (5) FOR BEARING BORE INSTALLTION
- (6) WILL NOT FIT ABS EQUIPPED AXLES

MASTER SEAL INTERCHANGE

PART NUMBER	MANU-FACTURER	STANDARD SERVICE KIT	SEVERE SERVICE KIT	UNITIZED SEAL
2029409	GMC	69794 (5)	-	65024U
203 Series	Midland-Barrier	69699	-	65263U
203001162	White Farm	69611	-	65116U
2038244	GMC	69743	-	65027U
204 Series	Midland-Barrier	69699	-	65263U
2044540	GMC	69604	-	-
205 Series	Midland-Barrier	69699	-	65263U
2053034	Midland-Barrier	69699	-	65263U
2057480	GMC	69799	70799 (6)	65156U
205821R91	International	69705	-	65275U
205831R91	International	69705	-	65275U
206 Series	Midland-Barrier	69697	-	65092U
206300 w/401204	Midland-Barrier	69697	-	65092U
2064489	GMC	69711	-	-
2064731	GMC	69785	-	65111U
2066307	GMC	69589	-	-
2070779	GMC	69796	70796	65270U
2070782	GMC	69750	-	-
2073173	GMC	-	-	-
2076781	GMC	69730	-	-
2078026	GMC	69798	70798	65165U
208 Series	Midland-Barrier	69690	-	-
208300 w/401206	Midland-Barrier	69690	-	-
209 Series	Midland-Barrier	69622	-	-
2090146	GMC	69706	-	-
2098743	GMC	69604	-	-
2099450	GMC	69787	-	-
210 Series	Midland-Barrier	69611	-	65116U
210300	Midland-Barrier	69611	-	65116U
210307	Midland-Barrier	69611	-	65116U
2103226	GMC	69796	70796	65270U
2103227	GMC	69750	-	-
2115265	GMC	69604	-	-
21154	Trailmobile	69699	-	65263U
212 Series	Midland-Barrier	69711	-	-
21204	Trailmobile	69791	70791	65172U
212257R91	International	69612	-	-
2122701	GMC	69796	70796	65270U
212300 w/401216	Midland-Barrier	69711	-	-
213 Series	Midland-Barrier	69640	-	-
2139445	GMC	69604	-	-
214 Series	Midland-Barrier	69692	-	65000U
214300 w/401224	Midland-Barrier	69692	-	65000U
215 Series	Midland-Barrier	69612	-	-
217 Series	Midland-Barrier	69689	-	-
218 Series	Midland-Barrier	69604	-	-
218205R91	International	69711	-	-
21820D	International	69796	70796	65270U
218300 w/401209	Midland-Barrier	69604	-	-
218400 w/401252	Midland-Barrier	69604	-	-

PART NUMBER	MANU-FACTURER	STANDARD SERVICE KIT	SEVERE SERVICE KIT	UNITIZED SEAL
21874F	Oshkosh	69697	-	65092U
21874F1	Oshkosh	69699	-	65263U
21875F	Oshkosh	69783	-	-
218Series	Midland-Barrier	69604	-	-
219 Series	Midland-Barrier	69628	-	65294U
2191030	GMC	69796	70796	65270U
2192652	GMC	69750	-	-
2223597	GMC	69711	-	-
222400	Midland-Barrier	69611	-	65116U
2226530	GMC	69797	-	65184U
2228694	GMC	69794 (5)	-	65024U
2229540	GMC	69794 (5)	-	65024U
223 Series	Midland-Barrier	69623	-	-
2231320	GMC	69513	-	-
223400 w/401251	Midland-Barrier	69623	-	-
223400 w/401251	Midland-Barrier	69625	-	-
2234376	GMC	69611	-	65116U
2234377	GMC	69693	-	65291U
2234378	GMC	69693	-	65291U
2238542	GMC	69783	-	-
2243081	GMC	69711	-	-
225 Series	Midland-Barrier	69612	-	-
225400	Midland-Barrier	69612	-	-
2256492	GMC	69590	-	-
2256495	GMC	69590	-	-
225692	GMC	69590	-	-
2257151	GMC	69611	-	65116U
2258269	GMC	69783	-	-
2258545	GMC	69783	-	-
2258746	GMC	-	70561 (2)	65261U
2258893	GMC	69798	70798	65165U
2258907	GMC	69798	70798	65165U
2259540	GMC	69711	-	-
2259657	GMC	69711	-	-
2259658	GMC	69794 (5)	-	65024U
2259662	GMC	69797	-	65184U
2259713	GMC	69590	-	-
226938R91	International	69690	-	-
2275398	GMC	69611	-	65116U
2283871	GMC	69795	-	-
2284159	GMC	69699	-	65263U
2286495	GMC	69590	-	-
228885R91	International	69690	-	-
229040	GMC	69791	70791	65172U
2295935	GMC	69791	70791	65172U
2295936	GMC	69791	70791	65172U
22A2450	Heil	69750	-	-
22B2558	Heil	-	70561 (2)	65261U
22B25581	Heil	-	70561 (2)	65261U
22B255812	Heil	-	70561 (2)	65261U
22B25582	Heil	-	70561 (2)	65261U
22B25583	Heil	69598	70598	65060U

- (1) FOR BORE DIAMETERS OVER 5.284 USE 70561 KIT
- (2) REPLACES 70597
- (3) 65294U SEAL MUST BE USED WITH 67038 BEARING SPACER

- (4) REMOVAL OF OEM SEAL SPACER IS REQUIRED PRIOR TO INSTALLATION
- (5) FOR BEARING BORE INSTALLTION
- (6) WILL NOT FIT ABS EQUIPPED AXLES

MASTER SEAL INTERCHANGE

PART NUMBER	MANU-FACTURER	STANDARD SERVICE KIT	SEVERE SERVICE KIT	UNITIZED SEAL
22B25584	Heil	69598	70598	65060U
22B25585	Heil	69598	70598	65060U
22B25586	Heil	69598	70598	65060U
22B25587	Heil	69598	70598	65060U
22B25588	Heil	69598	70598	65060U
22B28971	Heil	69599	-	65298U
22B28972	Heil	69599	-	65298U
22B291012	Heil	69599	-	65298U
22B291112	Heil	69598	70598	65060U
22B29331	Heil	69598	70598	65060U
22B29332	Heil	69598	70598	65060U
22B29333	Heil	69598	70598	65060U
22B296212	Heil	-	70561 (2)	65261U
2302139	GMC	69753	-	-
2314093	GMC	69796	70796	65270U
2314094	GMC	69750	-	-
2317614	GMC	69796	70796	65270U
2322303	GMC	-	-	-
2322621	GMC	69783	-	-
2328053	GMC	69783	-	-
2328334	GMC	69794 (5)	-	65024U
2328694	GMC	69794 (5)	-	65024U
2332032	GMC	-	-	-
2332303	GMC	-	-	-
2334838	GMC	69798	70798	65165U
2343139	GMC	69794 (5)	-	65024U
2345112	GMC	69750	-	-
2357682	GMC	69794 (5)	-	65024U
2357683	GMC	69798	70798	65165U
2357684	GMC	69783	-	-
2368357	GMC	69590	-	-
2371908	GMC	69693	-	65291U
2386619	GMC	69611	-	65116U
2388334	GMC	69794 (5)	-	65024U
2392261	GMC	69603	-	-
2392508	GMC	69691	-	-
2394035	GMC	69797	-	65184U
2394036	GMC	69791	70791	65172U
2394037	GMC	69798	70798	65165U
2417701	GMC	69798	70798	65165U
2417702	GMC	69791	70791	65172U
2435738	GMC	69753	-	-
2438878	GMC	69690	-	-
2440720	GMC	69699	-	65263U
2442177	GMC	69711	-	-
2444861	GMC	-	70561 (2)	65261U
2446647	GMC	69697	-	65092U
2453952	GMC	69699	-	65263U
2455045	GMC	69690	-	-
2455092	GMC	69693	-	65291U
2455943	GMC	69611	-	65116U
2456738	GMC	69798	70798	65165U
2456739	GMC	69798	70798	65165U
2456752	GMC	69791	70791	65172U

PART NUMBER	MANU-FACTURER	STANDARD SERVICE KIT	SEVERE SERVICE KIT	UNITIZED SEAL
2457433	GMC	69792	-	-
2457433	GMC	69797	-	65184U
2457434	GMC	69792	-	-
2466057	GMC	69612	-	-
2466757	GMC	69612	-	-
2477708	GMC	69699	-	65263U
2483891	GMC	69612	-	-
2498220	GMC	69697	-	65092U
251519	Fruehauf	69594	-	-
27003945	White	69799	70799 (6)	65156U
27021377	White	69794 (5)	-	65152U (4)
27021378	White	69794 (5)	-	65152U (4)
27021808	White	69699	-	65263U
27022919	White	69699	-	65263U
27068936	White	69697	-	65092U
27073109	White	69520	70596	65262U
27073176	White	-	-	-
27073176	White	-	70561 (2)	65261U
27073731	White	69598	70598	65060U
27074117	White	69596	70596	65262U
27074741	White	69693	-	65291U
27074745	White	69797	-	65184U
27074746	White	69711	-	-
27074747	White	69797	-	65184U
27074748	White	69623	-	-
27074749	White	69697	-	65092U
27074750	White	69690	-	-
27074751	White	69598	70598	65060U
27074752	White	69599	-	65298U
27074959	White	69789	70789	65283U
27074960	White	69795	-	-
27074961	White	69698	-	-
27074962	White	69799	70799 (6)	65156U
27105821	White	69783	-	-
27108082	White	69599	-	65298U
27108334	White	69795	-	-
27108900	White	69799	70799 (6)	65156U
27109090	White	69598	70598	65060U
27109091	White	69598	70598	65060U
27109096	White	69598	70598	65060U
27114428	White	69699	-	65263U
27125745	White	69697	-	65092U
27125816	White	69799	70799 (6)	65156U
27127438	White	69598	70598	65060U
27128839	White	69799	70799 (6)	65156U
27129422	White	69598	70598	65060U
27131626	White	69598	70598	65060U
27201808	White	69699	-	65263U
27438	CR	69638	-	-
2757682	GMC	69794 (5)	-	65024U
276398C91	International	69690	-	-
277428C91	International	69711	-	-
278615C91	International	69795	-	-
278616C91	International	69795	-	-

- (1) FOR BORE DIAMETERS OVER 5.284 USE 70561 KIT
- (2) REPLACES 70597
- (3) 65294U SEAL MUST BE USED WITH 67038 BEARING SPACER

- (4) REMOVAL OF OEM SEAL SPACER IS REQUIRED PRIOR TO INSTALLATION
- (5) FOR BEARING BORE INSTALLTION
- (6) WILL NOT FIT ABS EQUIPPED AXLES



MASTER SEAL INTERCHANGE

PART NUMBER	MANU-FACTURER	STANDARD SERVICE KIT	SEVERE SERVICE KIT	UNITIZED SEAL
278616C92	International	69795	-	-
280886C91	International	69794 (5)	-	65152U (4)
283412C91	International	69692	-	65000U
283442C91	International	69692	-	65000U
283842C91	International	69690	-	-
285309C91	International	69711	-	-
285310C91	International	69699	-	65263U
285311C91	International	69690	-	-
286517C91	International	69697	-	65092U
28745	CR	69645	-	-
28746	CR	69645	-	-
28758	CR	69645	-	-
28820	CR	69612	-	-
28828	CR	69612	-	-
28828 w/45220	CR	69695	-	-
28830	CR	69695	-	-
28830 w/39520	CR	69695	-	-
28830 w/45220	CR	69695	-	-
28832	CR	69695	-	-
2928694	GMC	69794 (5)	-	65024U
29382 (1)	Eaton	69794 (5)	-	65152U (4)
294769C91	International	69783	-	-
295957	National	69603	-	-
296051	National	69611	-	65116U
296390C91	International	69697	-	65092U
296391C91	International	69711	-	-
296392C91	International	69690	-	-
296393C91	International	69699	-	65263U
296394C91	International	69792	-	65184U
296395C91	International	69791	70791	65172U
296396C91	International	69794 (5)	-	65152U (4)
296396C92	International	69797	-	65184U
296409C91	International	69705	-	65275U
296437C91	International	69522	-	-
296437C92	International	69791	70791	65172U
296439C91	International	69522	-	-
296440C91	International	69799	70799 (6)	65156U
296441C91	International	69795	-	-
29QJ123	Mack	69628	-	65294U
29QJ212	Mack	69697	-	65092U
29QJ227	Mack	69628	-	65294U
29QJ229	Mack	69628	-	65294U
29QJ29306	Mack	69628	-	65294U
2CS81	Oshkosh	69795	-	-
2JG16	Kenworth		70561 (2)	65261U
2JG24	Kenworth	69711	-	-
2JG27	Kenworth	69795	-	-
2JG31	Kenworth	-	-	-
3005789	White	69697	-	65092U
300579	White	69697	-	65092U

- (1) FOR BORE DIAMETERS OVER 5.284 USE 70561 KIT
- (2) REPLACES 70597
- (3) 65294U SEAL MUST BE USED WITH 67038 BEARING SPACER

PART NUMBER	MANU-FACTURER	STANDARD SERVICE KIT	SEVERE SERVICE KIT	UNITIZED SEAL
3005790	White	69697	-	65092U
301317	White	69604	-	-
301401	Pioneer/Weston		70561 (2)	65261U
301401	Pioneer/Weston		70561 (2)	65261U
302193R91	International	69785	-	65111U
302402	Pioneer/Weston	69596	70596	65262U
302840	Kenworth		70561 (2)	65261U
30323	Eaton	69711	-	-
303403	Pioneer/Weston	69598	70598	65060U
304404	Pioneer/Weston	69599	-	65298U
305405	Pioneer/Weston	69796	70796	65270U
306408	Pioneer/Weston	69789	70789	65283U
3070713	Stemco		70561 (2)	65261U
3070723	Stemco	69596	70596	65262U
3070743	Stemco	69598	70598	65060U
3070744	Stemco	69599	-	65298U
307408	Pioneer/Weston	69799	70799 (6)	65156U
3080836	Stemco	69699	-	65263U
3080853	Stemco	69692	-	65000U
3080855	Stemco	69696	-	65078U
3080856	Stemco	69696	-	65078U
3080864	Stemco	69697	-	65092U
3080866	Stemco	69645	-	-
3090903	Stemco	69796	70796	65270U
3090904	Stemco	69788	70788	65071U
3090912	Stemco	69794 (5)	-	65152U (4)
3090915	Stemco	69794 (5)	-	65152U (4)
3090935	Stemco	-	-	65111U
3090948	Stemco	69781	-	65030U
3090957	Stemco	69787	-	-
3090960	Stemco	69798	70798	65165U
3090961	Stemco	69795	-	-
3090964	Stemco	69791	70791	65172U
3090965	Stemco	69797	-	65184U
3090970	Stemco	69789	70789	65283U
3090973	Stemco	69799	70799 (6)	65156U
309323C91	International	69794 (5)	-	65152U (4)
309409	Pioneer/Weston	69706	-	-
30QJ232	Mack	69799	70799 (6)	65156U
30QJ233	Mack	69788	70788	65071U
30QJ256	Mack	69796	70796	65270U
30QJ258	Mack	69788	70788	65071U
3102610	White	69697	-	65092U
31026U	Eaton	69791	70791	65172U
3103514	White	69690	-	-
310410	Pioneer/Weston	69791	70791	65172U
3107982	White	69697	-	65092U
3108186	White	69699	-	65263U
3108189	White	69697	-	65092U
3108192	White	69623	-	-
31100596	White	69783	-	-
31100722	Volvo	69599	-	65298U

- (4) REMOVAL OF OEM SEAL SPACER IS REQUIRED PRIOR TO INSTALLATION
- (5) FOR BEARING BORE INSTALLTION
- (6) WILL NOT FIT ABS EQUIPPED AXLES

MASTER SEAL INTERCHANGE

PART NUMBER	MANUFACTURER	STANDARD SERVICE KIT	SEVERE SERVICE KIT	UNITIZED SEAL
31100722	White	69599	-	65298U
31102267	White	69791	70791	65172U
31128D	International	69796	70796	65270U
3113800	White	69690	-	-
311411	Pioneer/Weston	69797	-	65184U
31149	Eaton	69797	-	65184U
31175	CR	69603	-	-
31203	CR	69603	-	-
312100	Pioneer/Weston	69699	-	65263U
31244	CR	69604	-	-
31244 w/455001	CR	69604	-	-
31266	CR	69730	-	-
31267	CR	69603	-	-
31270	CR	69604	-	-
31271	CR	69604	-	-
31281	CR	69604	-	-
31288	CR	69730	-	-
31301	CR	69730	-	-
31307	CR	69730	-	-
31475	Eaton	69705	-	65275U
315100	Pioneer/Weston	69697	-	65092U
317100	Pioneer/Weston	69696	-	65078U
31859	CR	69732	-	-
319506C91	International	69692	-	65000U
31960	CR	69625	-	-
31961	CR	69625	-	-
32449	CR	69611	-	65116U
32452	CR	69621	-	-
32453	CR	69621	-	-
32467	CR	69621	-	-
32470	CR	69611	-	65116U
32477	CR	69611	-	65116U
32564	CR	69611	-	65116U
326283C91	International	69795	-	-
32710	CR	69611	-	65116U
32QJ00127A	Mack	69799	70799 (6)	65156U
32QJ10321	Mack	69699	-	65263U
32QJ111C	Mack	69604	-	-
32QJ112B	Mack	69792	-	-
32QJ114	Mack	69604	-	-
32QJ115A	Mack	69689	-	-
32QJ116B	Mack	69604	-	-
32QJ117B	Mack	69750	-	-
32QJ118A	Mack	69796	70796	65270U
32QJ119	Mack	69705	-	65275U
32QJ120	Mack	69689	-	-
32QJ121A	Mack	69689	-	-
32QJ122A	Mack	69689	-	-
32QJ127A	Mack	69799	70799 (6)	65156U
32QJ128A	Mack	69781	-	65030U
32QJ130A	Mack	69690	-	-
32QJ131A	Mack	69697	-	65092U

PART NUMBER	MANUFACTURER	STANDARD SERVICE KIT	SEVERE SERVICE KIT	UNITIZED SEAL
32QJ132A	Mack	69697	-	65092U
32QJ133A	Mack	69705	-	65275U
32QJ135A	Mack	69788	70788	65071U
32QJ136A	Mack	69795	-	-
32QJ137	Mack	69590	-	-
32QJ138	Mack	69590	-	-
32QJ140	Mack	69705	-	65275U
32QJ144	Mack	69604	-	-
32QJ150	Mack	69797	-	65184U
32QJ152	Mack	69628	-	65294U
32QJ153	Mack	69797	-	65184U
32QJ156	Mack	69698	-	-
32QJ158	Mack	69697	-	65092U
32QJ159	Mack	69604	-	-
32QJ160	Mack	69697	-	65092U
32QJ161	Mack	69628	-	65294U
32QJ162	Mack	69698	-	-
32QJ164	Mack	69794 (5)	-	65152U (4)
32QJ165	Mack	-	70561 (2)	65261U
32QJ166	Mack	69599	-	65298U
32QJ170	Mack	69598	70598	65060U
32QJ19301	Mack	69699	-	65263U
32QJ19302	Mack	69690	-	-
32QJ19303	Mack	69699	-	65263U
32QJ19320	Mack	69699	-	65263U
32QJ19321	Mack	69699	-	65263U
32QJ19322	Mack	69690	-	-
32QJ19323	Mack	69697	-	65092U
32QJ19324	Mack	69697	-	65092U
32QJ19325	Mack	69799	70799 (6)	65156U
32QJ19326	Mack	69795	-	-
32QJ19327	Mack	69699	-	65263U
32QJ19328	Mack	69522	-	-
32QJ19329	Mack	69794 (5)	-	65152U (4)
32QJ1932S	Mack	69598	70598	65060U
32QJ19332	Mack	69628	-	65294U
32QJ19336	Mack	69799	70799 (6)	65156U
32QJ19337	Mack	69796	70796	65270U
32QJ19340	Mack	69699	-	65263U
32QJ19351	Mack	69697	-	65092U
32QJ19352	Mack	69797	-	65184U
32QJ19354	Mack	69799	70799 (6)	65156U
32QJ19356	Mack	69791	70791	65172U
32QJ19358	Mack	69689	-	-
32QJ19360	Mack	69705	-	65275U
32QJ19366	Mack	69699	-	65263U
32QJ19367	Mack	69697	-	65092U
32QJ19368	Mack	69697	-	65092U
32QJ19369	Mack	69706	-	-
32QJ19370	Mack	69628	-	65294U
32QJ19371	Mack	69699	-	65263U
32QJ19372	Mack	69697	-	65092U
32QJ19373	Mack	69799	70799 (6)	65156U
32QJ19374	Mack	69794 (5)	-	65152U (4)

- (1) FOR BORE DIAMETERS OVER 5.284 USE 70561 KIT
- (2) REPLACES 70597
- (3) 65294U SEAL MUST BE USED WITH 67038 BEARING SPACER

- (4) REMOVAL OF OEM SEAL SPACER IS REQUIRED PRIOR TO INSTALLATION
- (5) FOR BEARING BORE INSTALLTION
- (6) WILL NOT FIT ABS EQUIPPED AXLES



MASTER SEAL INTERCHANGE

PART NUMBER	MANU-FACTURER	STANDARD SERVICE KIT	SEVERE SERVICE KIT	UNITIZED SEAL
32QJ19376	Mack	69697	-	65092U
32QJ223	Mack	69604	-	-
32QJ224	Mack	69689	-	-
32QJ225	Mack	69628	-	65294U
32QJ226	Mack	69697	-	65092U
32QJ227	Mack	69792	-	-
32QJ228	Mack	69690	-	-
32QJ229	Mack	69795	-	-
32QJ230	Mack	69796	70796	65270U
32QJ231	Mack	69750	-	-
32QJ233	Mack	69788	70788	65071U
32QJ234	Mack	69781	-	65030U
32QJ235	Mack	69698	-	-
32QJ236	Mack	69781	-	65030U
32QJ237	Mack	69799	70799 (6)	65156U
32QJ238	Mack	69604	-	-
32QJ238A	Mack	69604	-	-
32QJ239	Mack	69788	70788	65071U
32QJ240	Mack	69781	-	65030U
32QJ241	Mack	69796	70796	65270U
32QJ242	Mack	69792	-	-
32QJ243	Mack	69788	70788	65071U
32QJ245	Mack	69697	-	65092U
32QJ246	Mack	69590	-	-
32QJ248	Mack	69628	-	65294U
32QJ249	Mack	69599	-	65298U
32QJ250	Mack	69794 (5)	-	65152U (4)
32QJ252	Mack	69697	-	65092U
32QJ29302	Mack	69699	-	65263U
32QJ328	Mack	69522	-	-
32QJ329	Mack	69794 (5)	-	65152U (4)
32QJ330	Mack	69797	-	65184U
32QT19372	Mack	69697	-	65092U
32QT19374	Mack	69794 (5)	-	65152U (4)
33140	CR	69731	-	-
331471C91	International	69794 (5)	-	65152U (4)
33177	CR	69731	-	-
33711C92	International	69794 (5)	-	65152U (4)
337406C92	International	69692	-	65000U
337711C91	International	69794 (5)	-	65152U (4)
337711C92	International	69706	-	-
338877R91	International	69786	-	65111U
340106C91	International	69792	-	-
340106C92	International	69797	-	65184U
340107C91	International	69791	70791	65172U
340107C92	International	69791	70791	65172U
34020	Eaton	69750	-	-
340929C91	International	69786	-	65111U
34188	Eaton	69731	-	-
341SR22	Mack	69604	-	-
341SR24	Mack	69697	-	65092U
341SR25	Mack	69794 (5)	-	65152U (4)

PART NUMBER	MANU-FACTURER	STANDARD SERVICE KIT	SEVERE SERVICE KIT	UNITIZED SEAL
341SR26	Mack	69628	-	65294U
341SR27	Mack	69797	-	65184U
341SR31	Mack	69791	70791	65172U
341SR32	Mack	69780	-	-
341SR33	Mack	69781	-	65030U
341SR34	Mack	69750	-	-
341SR35	Mack	69796	70796	65270U
341SR41	Mack	69795	-	-
341SR44	Mack	69795	-	-
341SR52	Mack	69699	-	65263U
34381	Eaton	69750	-	-
34383	CR	69785	-	65111U
34383 w/33462	CR	69785	-	65111U
34384	CR	69785	-	65111U
34385	CR	69785	-	65111U
34385 w/33462	CR	69785	-	65111U
34386	CR	69785	-	65111U
34387	CR	69785	-	65111U
34885	CR	69636	-	-
34999	CR	69786	-	65111U
34QJ00127A	Mack	69799	70799 (6)	65156U
35000	CR	69786	-	65111U
350119C91	International	69794 (5)	-	65152U (4)
350119C92	International	69706	-	-
35012	CR	69786	-	65111U
35033	CR	69786	-	65111U
35036	CR	69786	-	65111U
35040	CR	69786	-	65111U
35042	CR	69786	-	65111U
35045	CR	69786	-	65111U
35058	CR	69699	-	65263U
35059	CR	69699	-	65263U
35060	CR	69625	-	-
35060 w/455004	CR	69625	-	-
35060 w/455006	CR	69625	-	-
35062	CR	69699	-	65263U
35066	CR	69699	-	65263U
35070	National	69750	-	-
35072	CR	69699	-	65263U
35075	CR	69590	-	-
35102	CR	69699	-	65263U
351802C92	International	69794 (5)	-	65152U (4)
35810	CR	69785	-	65111U
359917C91	International	69699	-	65263U
359918C91	International	69699	-	65263U
359918C92	International	69699	-	65263U
359919C1	International	69699	-	65263U
359920C91	International	69692	-	65000U
359922C91	International	69697	-	65092U
359925C91	International	69794 (5)	-	65152U (4)
359926C91	International	69794 (5)	-	65152U (4)
359928C91	International	69791	70791	65172U
35A12890	White Truck	69598	70598	65060U
36	Kenworth	69690	-	-

- (1) FOR BORE DIAMETERS OVER 5.284 USE 70561 KIT
- (2) REPLACES 70597
- (3) 65294U SEAL MUST BE USED WITH 67038 BEARING SPACER

- (4) REMOVAL OF OEM SEAL SPACER IS REQUIRED PRIOR TO INSTALLATION
- (5) FOR BEARING BORE INSTALLTION
- (6) WILL NOT FIT ABS EQUIPPED AXLES



MASTER SEAL INTERCHANGE

PART NUMBER	MANU-FACTURER	STANDARD SERVICE KIT	SEVERE SERVICE KIT	UNITIZED SEAL
361 Series	Midland-Barrier	69799	70799 (6)	65156U
362 Series	Midland-Barrier	69795	-	-
362402R91	International	69693	-	65291U
36274	CR	69518	-	-
36285	CR	69622	-	-
36285	CR	69693	-	65291U
36285 w/455035	CR	69696	-	65078U
363 Series	Midland-Barrier	69798	70798	65165U
36304	CR	69729	-	-
36305	CR	69729	-	-
36357	CR	69590	-	-
36358	CR	69689	-	-
36363 w/455037	CR	69689	-	-
36365	CR	69689	-	-
36365 w/455037	CR	69689	-	-
363716	White	69730	-	-
36378	CR	69590	-	-
36383	CR	69693	-	65291U
364SZ100	Mack	69699	-	65263U
364SZ115	Mack	-	-	-
364SZ189	Mack	69690	-	-
364SZ202	Mack	69799	70799 (6)	65156U
364SZ203	Mack	69795	-	-
364SZ206	Mack	69699	-	65263U
36506	Eaton	69794 (5)	-	65152U (4)
366400	Midland-Barrier	-	-	-
36SR13	Kenworth	69690	-	-
36SR13	Mack	69690	-	-
370 Series	Midland-Barrier	69794 (5)	-	65152U (4)
370000 Series	Midland-Barrier	69794 (5)	-	65152U (4)
370001A	National	69699	-	65263U
370002A	National	69590	-	-
370003A	National	69799	70799 (6)	65156U
370004 w/AR20	National	69783	-	-
370004A	National	69513	-	-
370005A	National	69798	70798	65165U
370006A	National	69789	70789	65283U
370007A	National	69690	-	-
370008A	National	69711	-	-
370009A	National	69787	-	-
370009BG	National	69787	-	-
370010A	National	69612	-	-
370011A	National	69689	-	-
370011A w/AR4	National	69689	-	-
370012A	National	69622	-	-
370012A w/AR6	National	69622	-	-
370012A w/AR7	National	69623	-	-
370013A	National	69589	-	-
370014A	National	69730	-	-
370014A w/AR5	National	69604	-	-
370015A	National	69691	-	-
370018A	National	69611 (5)	-	-

PART NUMBER	MANU-FACTURER	STANDARD SERVICE KIT	SEVERE SERVICE KIT	UNITIZED SEAL
370018A w/AR7	National	69621	-	-
370019A	National	69797	-	65184U
370020A	National	69698	-	-
370020A w/AR10	National	69698	-	-
370021A	National	69791	70791	65172U
370022A	National	69796	70796	65270U
370023A	National	69706	-	65152U (4)
370024A	National	-	-	65024U
370025A	National	69598	70598	65060U
370027A	National	-	-	-
370028A	National	69750	-	-
370028BG	National	69750	-	-
370029A	National	69591	-	-
370030A	National	69795	-	-
370031A	National	69788	70788	65071U
370033A	National	69705	-	65275U
370033A w/AR12	National	69628	-	65294U
370036A	National	-	70561 (2)	65261U
370037A	National	69599	-	65298U
370047A	National	69785	-	65111U
370048A	National	69697	-	65092U
370054A	National	69695	-	-
370057A	National	69640	-	-
370064A	National	69695	-	-
370065A	National	69596	70596	65262U
370069A	National	69781	-	65030U
370106A	National	69743	-	65027U
370107A	National	69541	70541	-
370121A	National	69782	-	-
370124A	National	69692	-	65000U
370131A	National	69696	-	65078U
370145A	National	69603	-	-
370150A	National	69645	-	-
370169A	National	69786	-	65111U
370173A	National	69798	70798	65165U
370179A	National	69636	-	-
370182A	National	69697	-	65092U
370192A	National	69512	-	-
370216A	National	69598	70598	65060U
370338A	National	69599	-	65298U
370349A	National	-	70561 (2)	65261U
370400	Midland-Barrier	69794 (5)	-	65152U (4)

- (1) FOR BORE DIAMETERS OVER 5.284 USE 70561 KIT
- (2) REPLACES 70597
- (3) 65294U SEAL MUST BE USED WITH 67038 BEARING SPACER

- (4) REMOVAL OF OEM SEAL SPACER IS REQUIRED PRIOR TO INSTALLATION
- (5) FOR BEARING BORE INSTALLTION
- (6) WILL NOT FIT ABS EQUIPPED AXLES

MASTER SEAL INTERCHANGE

PART NUMBER	MANU-FACTURER	STANDARD SERVICE KIT	SEVERE SERVICE KIT	UNITIZED SEAL
371 Series	Midland-Barrier	69797	-	65184U
3710013	Stemco		70561 (2)	65261U
3710023	Stemco	69520	70596	65262U
3710043	Stemco	69598	70598	65060U
372 Series	Midland-Barrier	69791	70791	65172U
3727003	Stemco	69596	70596	65262U
3727005	Stemco	69589	-	-
3727006	Stemco	69590	-	-
3727009	Stemco	69507	-	-
3727015	Stemco	69512	-	-
3727017	Stemco	69514	-	-
3727018	Stemco	69711	-	-
3727020	Stemco	69517	-	-
3727022	Stemco	69594	-	-
3727024	Stemco	69541	70541	-
3727025	Stemco	69522	-	-
3727026	Stemco	69523	-	-
3727027	Stemco	69524	-	-
3727028	Stemco	69538	-	-
3727046	Stemco	69612	-	-
3727048	Stemco	69730	-	-
3727055	Stemco	69589	-	-
3727056	Stemco	69587	-	-
3727062	Stemco	69520	70596	65262U
3727091	Stemco	69541	70541	-
3727095	Stemco	69599	-	65298U
3727097	Stemco	69598	70598	65060U
3727098	Stemco		70561 (2)	65261U
3727099	Stemco	69596	70596	65262U
3730113	Stemco	69561	70561	65361U
3730123	Stemco	69596	70596	65262U
3730143	Stemco	69598	70598	65060U
3730213	Stemco	69561	70561	65261U
3730223	Stemco	69596	70596	65262U
3730243	Stemco	69598	70598	65060U
373300	International	69794 (5)	-	65152U (4)
373400	GMC	69794 (5)	-	65024U
373400	International	69794 (5)	-	65152U (4)
3736019	Utility Trailer	69598	70598	65060U
376590	Freightliner	69520	70596	65262U
376590A	National	69520	70596	65262U
3766706	GMC	69603	-	-
377	GMC	69611	-	65116U
377 Series	Midland-Barrier	69706	-	-
377000	Midland-Barrier	69794 (5)	-	65152U (4)
3771094	GMC	69611	-	65116U
3772445	GMC	69603	-	-
3794846	GMC	69743	-	65027U
3796564	GMC	69794 (5)	-	65024U
3796575	GMC	69711	-	-
380001A	National	69699	-	65263U
380003A	National	69799	70799 (6)	65156U
380019C91	International	69794 (5)	-	65152U (4)

- (1) FOR BORE DIAMETERS OVER 5.284 USE 70561 KIT
- (2) REPLACES 70597
- (3) 65294U SEAL MUST BE USED WITH 67038 BEARING SPACER

PART NUMBER	MANU-FACTURER	STANDARD SERVICE KIT	SEVERE SERVICE KIT	UNITIZED SEAL
380022A	National	69796	70796	65270U
380023A	National	69794 (5)	-	65152U (4)
380025A	National	69598	70598	65060U
380031A	National	69788	70788	65071U
380036A	National		70561 (2)	65261U
380048A	National	69697	-	65092U
380065A	National	69596	70596	65262U
380131A	National	69696	-	65078U
3810028	Stemco	69690	-	-
3810034	Stemco	69622	-	-
3810036	Stemco	69699	-	65263U
3810056	Stemco	69696	-	65078U
3810064	Stemco	69697	-	65092U
3828009	Stemco	69603	-	-
3828010	Stemco	69621	-	-
3828011	Stemco	69689	-	-
3828017	Stemco	69611	-	-
3828018	Stemco	69612	-	-
3828023	Stemco	69616	-	-
3828025	Stemco	69590	-	-
3828027	Stemco	69636	-	-
3828028	Stemco	69690	-	-
3828029	Stemco	69620	-	-
3828032	Stemco	69622	-	-
3828034	Stemco	69693	-	65291U
3828035	Stemco	69625	-	-
3828036	Stemco	69699	-	65263U
3828039	Stemco	69628	-	65294U
3828044	Stemco	69695	-	-
3828045	Stemco	69640	-	-
3828052	Stemco	69691	-	-
3828053	Stemco	69692	-	65000U
3828056	Stemco	69696	-	65078U
3828060	Stemco	69698	-	-
3828064	Stemco	69697	-	65092U
3828066	Stemco	69645	-	-
3828071	Stemco	69689	-	-
3830136	Stemco	69699	-	65263U
3830139	Stemco	69628	-	69294U (8)
3830153	Stemco	69692	-	65000U
3830156	Stemco	69696	-	65078U
3830164	Stemco	69697	-	65092U
3830236	Stemco	69699	-	65263U
3830239	Stemco	69628	-	65294U
3830264	Stemco	69697	-	65092U
383707C91	International	69589	-	-
383709C91	International	69612	-	-
383712C91	International	69602	-	-
383716C91	International	69591	-	-
384 Series	Midland-Barrier		70561 (2)	65261U
384300	Midland-Barrier		70561 (2)	65261U

- (4) REMOVAL OF OEM SEAL SPACER IS REQUIRED PRIOR TO INSTALLATION
- (5) FOR BEARING BORE INSTALLTION
- (6) WILL NOT FIT ABS EQUIPPED AXLES
- (8) REQUIRES 67038 ADAPTER

MASTER SEAL INTERCHANGE

PART NUMBER	MANU-FACTURER	STANDARD SERVICE KIT	SEVERE SERVICE KIT	UNITIZED SEAL
384342	White		70561 (2)	65261U
385 Series	Midland-Barrier	69796	70796	65270U
3858316	GMC	69604	-	-
386 Series	Midland-Barrier	69780	-	-
387 Series	Midland-Barrier	69750	-	-
38703	CR	69705	-	65275U
38706	CR	69705	-	65275U
38706 w/42620	CR	69705	-	65275U
38709	CR	69705	-	65275U
387400	Midland-Barrier	69750	-	-
3874368	GMC	69743	-	65027U
38745	CR	69794 (5)	-	65152U (4)
38747	CR	69794 (5)	-	65152U (4)
387475	International	69794 (5)	-	65152U (4)
38748	CR	-	-	65024U
387485C91	International	69794 (5)	-	65152U (4)
38750	CR	69794 (5)	-	65024U
387500	Midland-Barrier	69750	-	-
387596	White	69796	70796	65270U
38776	CR	69794 (5)	-	65152U (4)
38777	CR	69794 (5)	-	65152U (4)
38778	CR	69794 (5)	-	65152U (4)
38779	CR	69794 (5)	-	65152U (4)
38780	CR	69706	-	-
38780	CR	69794 (5)	-	65152U (4)
388 Series	Midland-Barrier	69787	-	-
388334	GMC	69794 (5)	-	65024U
389 Series	Midland-Barrier	69788	70788	65071U
389000	Midland-Barrier	69788	70788	65071U
389881	White	69730	-	-
38GX225	Oshkosh	69599	-	65298U
390 Series	Midland-Barrier	69789	70789	65283U
3910003	Stemco	69796	70796	65270U
3910004	Stemco	69788	70788	65071U
3910012	Stemco	69794 (5)	-	65152U (4)
3910060	Stemco	69798	70798	65165U
3910064	Stemco	69791	70791	65172U
3910070	Stemco	69789	70789	65283U
3910073	Stemco	69799	70799 (6)	65156U
3929001	Stemco	69783	-	-
3929007	Stemco	69750	-	-
3929010	Stemco	69705	-	65275U
3929012	Stemco	69794 (5)	-	65152U (4)
3929018	Stemco	69711	-	-
3929019	Stemco	69780	-	-
3929020	Stemco	69751	-	-
3929021	Stemco	-	-	-
3929032	Stemco	-	-	-
3929035	Stemco	69785	-	65111U
3929036	Stemco	69786	-	65111U
3929037	Stemco	69729	-	-
3929038	Stemco	69730	-	-
3929043	Stemco	69784	-	-

PART NUMBER	MANU-FACTURER	STANDARD SERVICE KIT	SEVERE SERVICE KIT	UNITIZED SEAL
3929045	Stemco	69743	-	65027U
3929046	Stemco	69522	-	-
3929057	Stemco	69787	-	-
3929062	Stemco	69782	-	-
3929081	Stemco	69798	70798	65165U
3929087	Stemco	69789	70789	65283U
3929088	Stemco	69791	70791	65172U
3929089	Stemco	69781	-	65030U
3929090	Stemco	69788	70788	65071U
3929092	Stemco	69792	-	-
3929094	Stemco	69796	70796	65270U
3929095	Stemco	69795	-	-
3929096	Stemco	69797	-	65184U
3929097	Stemco	69798	70798	65165U
3929099	Stemco	69794 (5)	-	65152U (4)
3929112	Stemco	69788	70788	65071U
3929130	Stemco	69788	-	65071U
3929131	Stemco	69799	70799 (6)	65156U
3930104	Stemco	69688	70788	65071U
3930112	Stemco	67794	-	65152U (4)
3930148	Stemco	69781	-	65030U
3930173	Stemco	69799	70799 (6)	65156U
3930204	Stemco	69788	70788	65071U
3930273	Stemco	69799	70799 (6)	65156U
39380	CR	69711	-	-
39380 w/455014	CR	69620	-	-
39385	CR	69711	-	-
39420	CR	69711	-	-
394233	White	69750	-	-
39425	CR	69787	-	-
39426	CR	69787	-	-
39430	CR	69711	-	-
394894C91	International	69699	-	65263U
396526C91	International	69797	-	65184U
39975 w/455031	CR	69628	-	65294U
39980	CR	69616	-	-
39980	CR	69628	-	65294U
399800C91	International	69786	-	65111U
39981	CR	69616	-	-
39981	CR	69628	-	65294U
39988	CR	69628	-	65294U
39988 w/455031	CR	69628	-	65294U
3HA1190A	Ford	69697	-	65092U
3HA1190B2A	Ford	69697	-	65092U
3TA1175CA	Ford	69791	70791	65172U
40021	CR	69620	-	-
40023	CR	69620	-	-
40035	CR	69691	-	-
40036	CR	69620	-	-
40040	CR	69691	-	-
40051	CR	69628	-	65294U
40052	CR	69616	-	-
40052	CR	69628	-	65294U
400855C91	International	69690	-	-

- (1) FOR BORE DIAMETERS OVER 5.284 USE 70561 KIT
- (2) REPLACES 70597
- (3) 65294U SEAL MUST BE USED WITH 67038 BEARING SPACER

- (4) REMOVAL OF OEM SEAL SPACER IS REQUIRED PRIOR TO INSTALLATION
- (5) FOR BEARING BORE INSTALLTION
- (6) WILL NOT FIT ABS EQUIPPED AXLES



MASTER SEAL INTERCHANGE

PART NUMBER	MANU-FACTURER	STANDARD SERVICE KIT	SEVERE SERVICE KIT	UNITIZED SEAL
401202	Midland-Barrier	69699	-	65263U
40129	CR	69161	-	-
40130	CR		-	-
40133	CR		-	-
40134	CR	69161	-	-
40134	CR		-	-
40134	CR		70561 (2)	65261U
40134 w/450409	CR	69161	-	-
40135	CR	69161	-	-
40136	CR-Drive		-	-
40136	CR-Trailer		70561 (2)	65261U
40136 w/450409	CR-Trailer	69161	-	-
40139	CR		70561 (2)	65261U
40210	CR	69794 (5)	-	65152U (4)
40350	CR	69711	-	-
40360	CR	69794 (5)	-	65152U (4)
40379	CR		-	-
40379	CR	69711	-	-
40379	Eaton	69711	-	-
40501012	Midland-Barrier	69598	70598	65060U
40501014	Trailmobile		-	-
40501015	Trailmobile	69599	-	65298U
409145	Midland-Barrier	69792	-	-
409145	Midland-Barrier	69797	-	65184U
409145	White	69792	-	-
409145	White	69797	-	65184U
413618	White	69628	-	65294U
413619	White	69791	70791	65172U
414466C92	International	69599	-	65298U
414467C91	International	69599	-	65298U
415047	National	69599	-	65298U
415064	National	69791	70791	65172U
415371	National	69796	70796	65270U
415437	National	69786	-	65111U
41550	CR	69743	-	65027U
415634	National	69796	70796	65270U
416130	National	69691	-	-
416297	National	69730	-	-
416892	National	69796	70796	65270U
416895C1				
w/490578C91S	International	69692	-	65000U
416895C1				
w/500200C91	International	69696	-	65078U
416895C91	International	69791	70791	65172U
417506	National	69711	-	-
417530	National	69692	-	65000U
41AX207	Mack	69698	-	-
41SR35	Mack	69796	70796	65270U
42002	Eaton	69787	-	-
421612R92	International	-	-	-
42550	CR	69743	-	65027U
42622	CR	69596	70596	65262U
42623	CR	69596	70596	65262U

PART NUMBER	MANU-FACTURER	STANDARD SERVICE KIT	SEVERE SERVICE KIT	UNITIZED SEAL
42623	Fruehauf	69520	70596	65262U
42624	CR	69541	70541	-
42625	CR	69520	70596	65262U
42626	CR	69596	70596	65262U
42650	CR	69788	70788	65071U
42671	CR	69788	70788	65071U
42672	CR	69788	70788	65071U
42699	CR	69795	-	-
427424R92	International	69699	-	65263U
427552R91	International	69699	-	65263U
42800	CR	69795	-	-
428119	International	69794 (5)	-	65152U (4)
428119C91	International	69794 (5)	-	65152U (4)
428454C91	International	69799	70799 (6)	65156U
431612R91	International	-	-	-
431615R91	International	69791	70791	65172U
431619R91	International		70561 (2)	65261U
431622R1	International		70561 (2)	65261U
433759	White	69783	-	-
434877R91	International	69783	-	-
434878R91	International	69783	-	-
436449R91	International	69794 (5)	-	65152U (4)
43752	CR	69599	-	65298U
43753	CR	69599	-	65298U
43754	CR	69599	-	65298U
43760	CR	69697	-	65092U
43761	CR	69697	-	65092U
43763	CR	69697	-	65092U
43764	CR	69697	-	65092U
43795	CR	69795	-	-
43800	CR	69698	-	-
43820	CR	69797	-	65184U
43860	CR	69797	-	65184U
43875	CR	69799	70799 (6)	65156U
43938	Victor	69594	-	-
441260C91	International	69645	-	-
443289PS	White		70561 (2)	65261U
44571C91	International	69794 (5)	-	65152U (4)
446070N	National	69788	70788	65071U
44630	CR	69797	-	65184U
447291A	White	69799	70799 (6)	65156U
447292	White	69789	70789	65283U
447550C91	International	69590	-	-
447551C91	International		70561 (2)	65261U
447556C91	International	69692	-	65000U
447557C91	International	69683	-	-
447558C91	International	69612	-	-
447559C91	International	69690	-	-
447560C91	International	69620	-	-
447561C91	International	69699	-	65263U
447562C91	International	69697	-	65092U
447563C91	International	69783	-	-
447563C92	International	69783	-	-
447564C91	International	69791	70791	65172U

- (1) FOR BORE DIAMETERS OVER 5.284 USE 70561 KIT
- (2) REPLACES 70597
- (3) 65294U SEAL MUST BE USED WITH 67038 BEARING SPACER

- (4) REMOVAL OF OEM SEAL SPACER IS REQUIRED PRIOR TO INSTALLATION
- (5) FOR BEARING BORE INSTALLTION
- (6) WILL NOT FIT ABS EQUIPPED AXLES

MASTER SEAL INTERCHANGE

PART NUMBER	MANUFACTURER	STANDARD SERVICE KIT	SEVERE SERVICE KIT	UNITIZED SEAL
447565C91	International	69705	-	65275U
447566C91	International	69794 (5)	-	65152U (4)
447567C91	International	69795	-	-
447568C91	International	-	-	-
447569C91	International	69797	-	65184U
447574C91	International	69799	70799 (6)	65156U
44794	Victor	69789	70789	65283U
448644	International	69696	-	65078U
448644C91	International	69696	-	65078U
44919	CR	69692	-	65000U
44920	CR	69692	-	65000U
44921	CR	69692	-	65000U
44922	CR	69692	-	65000U
44924	CR	69692	-	65000U
44925	CR	69625	-	-
4501014	Trailmobile	-	70561 (2)	65261U
45033	CR	69796	70796	65270U
45066	CR	69796	70796	65270U
45069	CR	69796	70796	65270U
45093	CR	69796	70796	65270U
45097	CR	69796	70796	65270U
45098	CR	69796	70796	65270U
45099	CR	69796	70796	65270U
45100	CR	69796	70796	65270U
45102	CR	69696	-	65078U
45103	CR	69696	-	65078U
45105	CR	69696	-	65078U
45115	CR	69791	70791	65172U
45149	CR	69791	70791	65172U
45150	CR	69791	70791	65172U
45152	CR	69799	70799 (6)	65156U
45158	CR	69791	70791	65172U
45160	CR	69791	70791	65172U
45162	CR	69512	-	-
45162 w/455030	CR	69514	-	-
453027C1	International	-	-	-
453027C91	International	69522	-	-
455030	CR	69785	-	65111U
455030	National	69512	-	-
455030	National	69514	-	-
455031	National	69785	-	65111U
455031	CR	69628	-	65294U
455036	National	69628	-	65294U
455037	National	69787	-	-
455037	National	69794 (5)	-	65152U (4)
455047	National	69599	-	65298U
455049	National	69796	70796	65270U
455058	National	69788	70788	65071U
455060	National	69792	-	-
455060	National	69797	-	65184U
455062	National	69791	70791	65172U
455064	National	69791	70791	65172U
455068	National	69640	-	-
455068	National	69780	-	-

PART NUMBER	MANUFACTURER	STANDARD SERVICE KIT	SEVERE SERVICE KIT	UNITIZED SEAL
455070	National	69750	-	-
455104	National	69781	-	65030U
455137	National	69611	-	65116U
455173	National	69786	-	65111U
455188	National	69628	-	65294U
455285	National	69750	-	-
455355	National	69645	-	-
455371	National	69796	70796	65270U
455377	National	69783	-	-
455512	National	69620	-	-
455547	National	69705	-	65275U
455575	National	69711	-	-
455958	National	69794 (5)	-	65152U (4)
456070	National	69781	-	65030U
456444	National	69692	-	65000U
456494	National	69692	-	65000U
456618S61	International	69706	-	-
456865	National	69750	-	-
45745	Great Dane	69598	70598	65060U
45950	CR	69796	70796	65270U
46017	Dana	69612	-	-
46190	CR	69796	70796	65270U
461964	White	69783	-	-
46209	CR	69796	70796	65270U
46300	CR	69598	70598	65060U
46304	CR	69598	70598	65060U
46305	CR	69598	70598	65060U
46324 (3)	CR	69799	70799 (6)	65156U
46330	CR	69791	70791	65172U
46331	CR	69791	70791	65172U
463473	GMC	69791	70791	65172U
465511C91	International	69696	-	65078U
466809	White	69711	-	-
46753	Victor	69785	-	65111U
46755	Victor	69794 (5)	-	65152U (4)
46763	Victor	69785	-	65111U
46769	Victor	69706	-	-
46769M	Victor	69706	-	-
46770	Victor	69791	70791	65172U
46780	Victor	69750	-	-
46800	Victor	69697	-	65092U
46803	Victor	69611	-	65116U
46841	Victor	69596	70596	65262U
46842	Victor	-	70561 (2)	65261U
46847	Victor	69599	-	65298U
469461	White	-	-	-
469844C1	International	69645	-	-
4698451C1	International	69786	-	65111U
47033	Victor	-	70561 (2)	65261U
47059A	Oshkosh	69699	-	65263U
471106	White	69622	-	-

- (1) FOR BORE DIAMETERS OVER 5.284 USE 70561 KIT
- (2) REPLACES 70597
- (3) 65294U SEAL MUST BE USED WITH 67038 BEARING SPACER

- (4) REMOVAL OF OEM SEAL SPACER IS REQUIRED PRIOR TO INSTALLATION
- (5) FOR BEARING BORE INSTALLTION
- (6) WILL NOT FIT ABS EQUIPPED AXLES



MASTER SEAL INTERCHANGE

PART NUMBER	MANU-FACTURER	STANDARD SERVICE KIT	SEVERE SERVICE KIT	UNITIZED SEAL
471268	White	69795	-	-
471269	White	69795	-	-
47341	Victor	69603	-	-
47358	Victor	69603	-	-
47362	CR	69697	-	65092U
47381	CR		-	-
47394	CR		70561 (2)	65261U
47494	Dana	-	-	65275U
47494	Victor	69705	-	65275U
47495	Victor	69706	-	-
47498	Dana	-	-	65116U
475047	National	69599	-	65298U
475070	National	69750	-	-
475371	National	69796	70796	65270U
475621	White	69794 (5)	-	65152U (4)
475FF316	CR	69786	-	65111U
475HD316	CR	69786	-	65111U
475HM316	CR	69786	-	65111U
47608+A27	Victor	69799	70799 (6)	65156U
47634	Victor	69783	-	-
476812	White	69795	-	-
476865	National	69750	-	-
47690	CR	69799	70799 (6)	65156U
47695	CR	69799	70799 (6)	65156U
47696	CR	69799	70799 (6)	65156U
47697	CR	69799	70799 (6)	65156U
47698	CR	69799	70799 (6)	65156U
47699	CR	69789	70789	65283U
47779	Victor	69798	70798	65165U
47794	NAPA	69789	70789	65283U
47795	NAPA	69794 (5)	-	65152U (4)
47795	Victor	69794 (5)	-	65152U (4)
47798	NAPA	69611	-	65116U
47798	Victor	69611	-	65116U
47799	Dana	-	-	65291U
47800	Victor	69691	-	-
47802	Dana	-	-	65184U
47802	Victor	69792	-	-
47802	Victor	69797	-	65184U
47803	Dana	-	-	65165U
47803	NAPA	69798	70798	65165U
47805	NAPA	69791	70791	65172U
47805	Victor	69791	70791	65172U
47808	Dana	69690	-	-
47808	NAPA	69690	-	-
47808	Victor	69690	-	-
47890	NAPA	69753	-	-
47890	Victor	69751	-	-
47891	NAPA	69598	70598	65060U
47891	Victor	69598	70598	65060U
479061	White	69711	-	-
48000	CR	69798	70798	65165U
48001	CR	69798	70798	65165U

PART NUMBER	MANU-FACTURER	STANDARD SERVICE KIT	SEVERE SERVICE KIT	UNITIZED SEAL
480578C91				
w/416895C1	International	69692	-	65000U
48078	NAPA	69699	-	65263U
48078	Victor	69699	-	65263U
48084	NAPA	69706	-	-
48084	Victor	69706	-	-
48086	Dana	-	-	65060U
48088	Dana	-	-	65261U
48089	Dana	-	-	65156U
48090	Dana	-	-	65263U
48091	Victor	69706	-	-
48091	Dana	69794 (5)	-	65152U (4)
48092	Dana	-	-	65027U
48093	Dana	-	-	65172U
48093	NAPA	69791	70791	65172U
48093	Victor	69791	70791	65172U
48094	Dana	-	-	65298U
48095	Dana	-	-	65270U
48096	Dana	-	-	65111U
48096	Victor	69785	-	65111U
48097	Dana	-	-	65078U
48098	Dana	-	-	65071U
48099	Dana	-	-	65030U
48099	Victor	69781	-	65030U
48145	Dana	-	-	65092U
48146	Dana	-	-	65294U
48147	Dana	-	-	65000U
48148	Dana	-	-	65283U
48149	Dana	-	-	65152U (4)
48297	CR	69522	-	-
48297	CR	-	-	-
48298	CR	69513	-	-
48792	CR	69640	-	-
48794	CR	69690	-	-
48796	CR	69640	-	-
48879	Victor	69794 (5)	-	65152U (4)
48884	CR	69783	-	-
48884 w/455019	CR	69783	-	-
48899	Victor	69792	-	-
48905	NAPA	69792	-	-
48905	NAPA	69797	-	65184U
48905	Victor	69792	-	-
48905	Victor	69797	-	65184U
48917	Victor	69791	70791	65172U
48922	Victor	69753	-	-
48924	Victor	69780	-	-
48927	Victor	69781	-	65030U
48974	CR	69690	-	-
49002532	White	69792	-	-
49002532	White	69797	-	65184U
49023110	White	69794 (5)	-	65152U (4)
490576C92	International	69692	-	65000U

- (1) FOR BORE DIAMETERS OVER 5.284 USE 70561 KIT
- (2) REPLACES 70597
- (3) 65294U SEAL MUST BE USED WITH 67038 BEARING SPACER

- (4) REMOVAL OF OEM SEAL SPACER IS REQUIRED PRIOR TO INSTALLATION
- (5) FOR BEARING BORE INSTALLTION
- (6) WILL NOT FIT ABS EQUIPPED AXLES



MASTER SEAL INTERCHANGE

PART NUMBER	MANUFACTURER	STANDARD SERVICE KIT	SEVERE SERVICE KIT	UNITIZED SEAL
490577C92	International	69696	-	65078U
490578C91	International	69692	-	65000U
493287	White	69791	70791	65172U
495	National	69789	70789	65283U
49501	Victor	69604	-	-
49598	NAPA	69604	-	-
49598	Victor	69621	-	-
49792	Victor	69604	-	-
49796	Victor	69604	-	-
49829	NAPA	69750	-	-
49829	Victor	69750	-	-
49830	NAPA	69730	-	-
49830	Victor	69730	-	-
49836	Dana / Spicer	69791	70791	65172U
49836	Victor	69791	70791	65172U
49837	Victor	69792	-	-
49837	Victor	69797	-	65184U
49844	Victor	69689	-	-
49846	Victor	-	70561 (2)	65261U
49866	Victor	69625	-	-
49873	Dana / Spicer	69796	70796	65270U
49873	Victor	69796	70796	65270U
49885	NAPA	69788	70788	65071U
49901	Victor	69796	70796	65270U
49909	NAPA	69705	-	65275U
49909	Victor	69705	-	65275U
49911	NAPA	69623	-	-
49911	Victor	69623	-	-
49912	NAPA	69620	-	-
49912	Victor	69620	-	-
49915	Victor	69620	-	-
49917	Victor	69788	70788	65071U
49920 (1)	Victor	69794 (5)	-	65152U (4)
49937	Victor	69792	-	-
49937	Victor	69797	-	65184U
49938	Victor	69620	-	-
49939	Victor	69783	-	-
49941	Victor	69711	-	-
49943	Victor	69689	-	-
49947	NAPA	69699	-	65263U
49947	Victor	69699	-	65263U
49948	NAPA	69795	-	-
49948	Victor	69795	-	-
49949	NAPA	69611	-	65116U
49949	Victor	69611	-	65116U
49953	Victor	69589	-	-
49953	Victor	69590	-	-
49958	NAPA	69730	-	-
49958	Victor	69730	-	-
49959	Victor	69780	-	-
49966	CR	69750	-	-
49968	Victor	69791	70791	65172U
49985	CR	69750	-	-
500200C91	International	69696	-	65078U

PART NUMBER	MANUFACTURER	STANDARD SERVICE KIT	SEVERE SERVICE KIT	UNITIZED SEAL
500282	GMC	69750	-	-
500483	CR	69795	-	-
500591	CR	69794 (5)	-	65152U (4)
500608	CR	69789	70789	65283U
50101104	Trailmobile	69598	70598	65060U
5010116	Trailmobile	-	70561 (2)	65261U
5010116	Trailmobile	-	70561 (2)	65261U
5010116D	Trailmobile	-	70561 (2)	65261U
5010123	Trailmobile	-	70561 (2)	65261U
5010123	Trailmobile	-	70561 (2)	65261U
5010123D	Trailmobile	-	70561 (2)	65261U
5010132	Trailmobile	69620	-	-
5010151	Trailmobile	69599	-	65298U
5010151D	Trailmobile	69599	-	65298U
5010152	Trailmobile	69599	-	65298U
5010152D	Trailmobile	69599	-	65298U
5010154	Trailmobile	69596	70596	65262U
50101560	Trailmobile	69598	70598	65060U
5010156A	Trailmobile	69598	70598	65060U
5010156B	Trailmobile	69598	70598	65060U
5010156C	Trailmobile	69598	70598	65060U
5010156D	Trailmobile	69598	70598	65060U
5010158	Trailmobile	69598	70598	65060U
5010159	Trailmobile	69598	70598	65060U
5010179	Trailmobile	69598	70598	65060U
5010180A	Trailmobile	69598	70598	65060U
5010180B	Trailmobile	69598	70598	65060U
5010180C	Trailmobile	69598	70598	65060U
5010180D	Trailmobile	69598	70598	65060U
5010180F	Trailmobile	69598	70598	65060U
5010182	Trailmobile	-	70561 (2)	65261U
5010183	Trailmobile	69599	-	65298U
5010188	Trailmobile	69598	70598	65060U
5010189	Trailmobile	69599	-	65298U
5010196	Trailmobile	69598	70598	65060U
5010197	Trailmobile	69599	-	65298U
50124	CR	69750	-	-
50150	CR	69783	-	-
50155	CR	69783	-	-
501723	CR	69750	-	-
50190	CR	69750	-	-
505936	White	69789	70789	65283U
506003A	White	69699	-	65263U
506141	Eaton	69697	-	65092U
50640 (3)	CR	69799	70799 (6)	65156U
50670	CR	69789	70789	65283U
5076	National	69711	-	-
508703	White	69625	-	-
5089	National	69787	-	-
509154C91	International	69640	-	-
509522	CR	69161	-	-
509706	CR	-	70561 (2)	65261U
509725	CR	69520	70596	65262U
50A1012A	Trailmobile	69598	70598	65060U

- (1) FOR BORE DIAMETERS OVER 5.284 USE 70561 KIT
- (2) REPLACES 70597
- (3) 65294U SEAL MUST BE USED WITH 67038 BEARING SPACER

- (4) REMOVAL OF OEM SEAL SPACER IS REQUIRED PRIOR TO INSTALLATION
- (5) FOR BEARING BORE INSTALLTION
- (6) WILL NOT FIT ABS EQUIPPED AXLES



MASTER SEAL INTERCHANGE

PART NUMBER	MANU-FACTURER	STANDARD SERVICE KIT	SEVERE SERVICE KIT	UNITIZED SEAL
50A1012B	Trailmobile	69598	70598	65060U
50A1012C	Trailmobile	69598	70598	65060U
50A1012D	Trailmobile	69598	70598	65060U
50A1012E	Trailmobile	69598	70598	65060U
50A1014A	Trailmobile	69599	-	65298U
50A1014C	Trailmobile	69599	-	65298U
50A1014D	Trailmobile	69599	-	65298U
50A1014E	Trailmobile	69599	-	65298U
5100	National	69730	-	-
510515	White	69799	70799 (6)	65156U
5110	National	69692	-	65000U
511030C1	International	69628	-	65294U
511356	White	69797	-	65184U
512657C1	International	69598	70598	65060U
516240	CR	69699	-	65263U
516302C1	International	69794 (5)	-	65152U (4)
516333	CR	69590	-	-
516333	CR	69591	-	-
516334	CR	69603	-	-
516336	CR	69604	-	-
516778C91	International	69783	-	-
517547	CR	69623	-	-
517947	CR	69611	-	65116U
517950	CR	69622	-	-
518498	CR	69518	-	-
518638	CR	69750	-	-
518673	CR	69697	-	65092U
518674	CR	69599	-	65298U
518675	CR	69690	-	-
518676	CR	69711	-	-
518678	CR	69711	-	-
518679	CR	69796	70796	65270U
518680	CR	69791	70791	65172U
518681	CR	69698	-	-
518682	CR	69797	-	65184U
518683	CR	69791	70791	65172U
518684	CR	69750	-	-
518685	CR	69780	-	-
518686	CR	69794 (5)	-	65152U (4)
518687	CR	69794 (5)	-	65152U (4)
518688	CR	69795	-	-
518689	CR	69799	70799 (6)	65156U
518690	CR	69798	70798	65165U
518691	CR	69522	-	-
518826	CR	69692	-	65000U
519701	CR	69598	70598	65060U
520560	CR	69789	70789	65283U
520719	CR	69635	-	-
521067	CR	69799	70799 (6)	65156U
521095	CR	69799	70799 (6)	65156U
521101	CR	69705	-	65275U
521108	CR	69612	-	-
521332	CR	69683	-	-
521420	CR	69753	-	-

PART NUMBER	MANU-FACTURER	STANDARD SERVICE KIT	SEVERE SERVICE KIT	UNITIZED SEAL
521495	CR	69541	70541	-
521942	CR	69781	-	65030U
521950	CR	69628	-	65294U
521964	CR	69788	70788	65071U
522019	CR	69781	-	65030U
522162	CR	69781	-	65030U
522187	CR	69792	-	-
522522	CR	69691	-	-
522545	CR	69794 (5)	-	65152U (4)
522776	CR	69513	-	-
523026	CR	69689	-	-
523042	CR	69783	-	-
523770	CR	69640	-	-
523771	CR	69787	-	-
525674	CR	69689	-	-
5257169	GMC	69785	-	65111U
525753	CR	69512	-	-
526571	CR	69695	-	-
52658	CR	69781	-	65030U
52660	CR	69781	-	65030U
52664	CR	69622	-	-
52664	CR	69781	-	65030U
527176	CR	69794 (5)	-	65152U (4)
527501	White	69604	-	-
527502	White	69625	-	-
527503	White	69622	-	-
527503	White	69693	-	65291U
527716	CR	69794 (5)	-	65152U (4)
528087	CR	69730	-	-
528094	CR	69785	-	65111U
528367	CR	69791	70791	65172U
528370	CR	69797	-	65184U
528790	CR	-	70561 (2)	65261U
528942	CR	69596	70596	65262U
529453	CR	69786	-	65111U
530370	Freightliner	69594	-	-
530370	Fruehauf	69594	-	-
530480	Freightliner	69594	-	-
530480T	Fruehauf	69594	-	-
530625T	CR	69696	-	65078U
530713C91	International	69696	-	65078U
530878T	CR	69797	-	65184U
531442T	CR	69692	-	65000U
531478	CR	69797	-	65184U
531518T	CR	69791	70791	65172U
531519T	CR	69706	-	-
531543	White	69604	-	-
531578	CR	69797	-	65184U
531579	CR	69799	70799 (6)	65156U
531580	CR	69512	-	-
531581	CR	69799	70799 (6)	65156U
531583	CR	69794 (5)	-	65152U (4)
531663	CR	69611	-	65116U
531665	CR	69604	-	-

- (1) FOR BORE DIAMETERS OVER 5.284 USE 70561 KIT
- (2) REPLACES 70597
- (3) 65294U SEAL MUST BE USED WITH 67038 BEARING SPACER

- (4) REMOVAL OF OEM SEAL SPACER IS REQUIRED PRIOR TO INSTALLATION
- (5) FOR BEARING BORE INSTALLTION
- (6) WILL NOT FIT ABS EQUIPPED AXLES



MASTER SEAL INTERCHANGE

PART NUMBER	MANU-FACTURER	STANDARD SERVICE KIT	SEVERE SERVICE KIT	UNITIZED SEAL
531667	CR	69730	-	-
531668	CR	69730	-	-
531864	CR	69799	70799 (6)	65156U
531916	CR	69594	-	-
531922	CR	69598	70598	65060U
531928	CR	69796	70796	65270U
531972	CR	69798	70798	65165U
532019	CR	69786	-	65111U
532020	CR	69623	-	-
532021	CR	69699	-	65263U
532022	CR	69699	-	65263U
532023	CR	69590	-	-
532023	CR	69591	-	-
532024	CR	69518	-	-
532025	CR	69622	-	-
532027	CR	69785	-	65111U
532031	CR	69753	-	-
532032	CR	69690	-	-
532033	CR	69780	-	-
532034	CR	69640	-	-
532035	CR	69783	-	-
532036	CR	69750	-	-
532037	CR	69797	-	65184U
532038	CR	69797	-	65184U
532039	CR	69799	70799 (6)	65156U
532126	CR	69711	-	-
532147	CR	69795	-	-
532148	CR	69711	-	-
532149	CR	69787	-	-
532150	CR	69596	70596	65262U
532151	CR	69541	70541	-
532337	CR	69692	-	65000U
532459	CR		70561 (2)	65261U
532461	CR	69784	-	-
532468	CR	69692	-	65000U
532469	CR	69788	70788	65071U
532471	CR	69691	-	-
532472	CR	69796	70796	65270U
532475	CR	69796	70796	65270U
532476	CR	69696	-	65078U
532509	CR	69799	70799 (6)	65156U
532518	CR		70561 (2)	65261U
532561	CR	69799	70799 (6)	65156U
532664	White	69622	-	-
532664B	White	69604	-	-
532664B	White	69621	-	-
532665	White	69622	-	-
533441	CR	69689	-	-
53366002	Reo	69640	-	-
53366002	White	69640	-	-
5336609	White	69697	-	65092U
53434003	Reo	69791	70791	65172U
53434003	White	69791	70791	65172U
53434012	White	69522	-	-

PART NUMBER	MANU-FACTURER	STANDARD SERVICE KIT	SEVERE SERVICE KIT	UNITIZED SEAL
539213	White	69604	-	-
539213	White	69621	-	-
540709	CR	69699	-	65263U
540710	CR	69697	-	65092U
541078	CR	69789	70789	65283U
544544	White		70561 (2)	65261U
544570	White	69792	-	-
544570	White	69797	-	65184U
544630	White	69794 (5)	-	65152U (4)
544692	White		70561 (2)	65261U
544693	White	69791	70791	65172U
544694	White	69799	70799 (6)	65156U
544695	White	69795	-	-
54533HA	International	69786	-	65111U
54534H	International	69786	-	65111U
54534HA	International	69785	-	65111U
5464	National	69590	-	-
5467	National	69792	-	-
5467	National	69797	-	65184U
5468	National	69798	70798	65165U
5471	National	-	-	-
5473	National	69783	-	-
5473 w/726	National	69783	-	-
5473 w/758	National	69783	-	-
5475	National	69794 (5)	-	65152U (4)
547915C91	International	69520	70596	65262U
5481	National	69799	70799 (6)	65156U
54929	CR	-	-	-
54930	CR	-	-	-
54935	CR	69783	-	-
54940	CR	69783	-	-
5495	National	69789	70789	65283U
5500	National	69594	-	-
5501	National		70561 (2)	65261U
5502	National		70561 (2)	65261U
5503	National		70561 (2)	65261U
55030	National	69622	-	-
55031	National	69622	-	-
55036	National	69628	-	65294U
55037S60	National	69711	-	-
5504	National		70561 (2)	65261U
55049	National	69796	70796	65270U
55058S60	National	69791	70791	65172U
55060	National	69792	-	-
55062	National	69791	70791	65172U
55064	National	69791	70791	65172U
55068	National	69780	-	-
55070	National	69750	-	-
55091	National	69753	-	-
55104S	National	69781	-	65030U
55137	National	69611	-	65116U
55165	CR	69789	70789	65283U
55170	CR	69789	70789	65283U
55173S	National	69786	-	65111U

- (1) FOR BORE DIAMETERS OVER 5.284 USE 70561 KIT
- (2) REPLACES 70597
- (3) 65294U SEAL MUST BE USED WITH 67038 BEARING SPACER

- (4) REMOVAL OF OEM SEAL SPACER IS REQUIRED PRIOR TO INSTALLATION
- (5) FOR BEARING BORE INSTALLTION
- (6) WILL NOT FIT ABS EQUIPPED AXLES



MASTER SEAL INTERCHANGE

PART NUMBER	MANU-FACTURER	STANDARD SERVICE KIT	SEVERE SERVICE KIT	UNITIZED SEAL
55188	National	69628	-	65294U
55285	National	69750	-	-
553408	White	69697	-	65092U
55377	National	69783	-	-
553778	White	69697	-	65092U
554361	Fruehauf	69698	-	-
55512	National	69620	-	-
5553	National	69799	70799 (6)	65156U
55581	National	69794 (5)	-	65152U (4)
5563	National	69711	-	-
55822R1	International	69683	-	-
55823R1	International	69683	-	-
55858	National	69785	-	65111U
5611TA	Oshkosh		70561 (2)	65261U
56153C91	International	69799	70799 (6)	65156U
56163R91	International	-	-	-
563601	White	69791	70791	65172U
563602	White	69792	-	-
563602	White	69797	-	65184U
563603	White	69795	-	-
563604	White	69794 (5)	-	65152U (4)
563605	White	69799	70799 (6)	65156U
563606	White	69789	70789	65283U
5649	National	69785	-	65111U
56536R91	International	69783	-	-
5667	National	69794 (5)	-	65152U (4)
567731	White	69786	-	65111U
5727501	White	69621	-	-
5751	National	69730	-	-
57688R91	International	69706	-	-
576M416L	CR	69796	70796	65270U
582587C91	International	69512	-	-
58394	Eaton	69791	70791	65172U
589822C91	International	69645	-	-
589823C91	International	69786	-	65111U
594962C1	International	69799	70799 (6)	65156U
594964C1	International	69697	-	65092U
594965C1	International	69645	-	-
594966C1	International	69692	-	65000U
594967C1	International	69696	-	65078U
5961	National		-	-
596555C1	International	69699	-	65263U
596556C1	International	69783	-	-
5M497	National		70561 (2)	65261U
5M498	National	69589	-	-
5M498	National	69590	-	-
5M928	National	69698	-	-
5M93	National	69594	-	-
5X265	Meritor		70561 (2)	65261U
5X287	Meritor		70561 (2)	65261U
5X418	Meritor	69589	-	-
6025	National	69786	-	65111U
60501012	Trailmobile	69598	70598	65060U
61319142	Trailmobile	69523	-	-

PART NUMBER	MANU-FACTURER	STANDARD SERVICE KIT	SEVERE SERVICE KIT	UNITIZED SEAL
61319170	Trailmobile	69599	-	65298U
6131986	Trailmobile		70561 (2)	65261U
613558C91	International	69791	70791	65172U
6174SR	Oshkosh	69795	-	-
619	GMC	69611	-	65116U
619884	White		70561 (2)	65261U
619900	White		70561 (2)	65261U
620189	White	69799	70799 (6)	65156U
620199	White	69799	70799 (6)	65156U
620843A	White	69690	-	-
620848	White	69789	70789	65283U
625412	White	69792	-	-
625412	White	69797	-	65184U
6270	National	69711	-	-
62848A	White	69789	70789	65283U
63043R91	International	69705	-	65275U
633	CR		70561 (2)	65261U
634	CR	69589	-	-
640454	White	69620	-	-
64227	NAPA	69622	-	-
64227	Victor	69622	-	-
64414	NAPA	69699	-	65263U
64414	Victor	69699	-	65263U
64456	Victor	69688	-	-
64460	Victor	69611	-	65116U
64464	Victor	69603	-	-
64482	Victor	69794 (5)	-	65152U (4)
64491	Victor	69689	-	-
64511	Victor	69693	-	65291U
64517	Victor	69697	-	65092U
64530	Victor	69699	-	65263U
64534	Victor	69695	-	-
64541	Victor	69730	-	-
64542	Victor	69796	70796	65270U
64546	Victor	69789	70789	65283U
64553	Victor	69791	70791	65172U
64566	NAPA	69743	-	65027U
64566	Victor	69743	-	65027U
64566	NAPA	69794 (5)	-	65152U (4)
64566	Victor	69794 (5)	-	65152U (4)
64567	Victor	69797	-	65184U
64678	Eaton	69706	-	-
64678	Eaton	69794 (5)	-	65152U (4)
6468	National	69794 (5)	-	65152U (4)
64687	Eaton	69706	-	-
647217R91	International	69731	-	-
649299R91	International	69705	-	65275U
650773	White	69783	-	-
65179R91	International	69705	-	65275U
652565	White	69622	-	-
654686	GMC	69693	-	65291U
654687	GMC	69791	70791	65172U
657	CR	69698	-	-
657668	White	69604	-	-

- (1) FOR BORE DIAMETERS OVER 5.284 USE 70561 KIT
- (2) REPLACES 70597
- (3) 65294U SEAL MUST BE USED WITH 67038 BEARING SPACER

- (4) REMOVAL OF OEM SEAL SPACER IS REQUIRED PRIOR TO INSTALLATION
- (5) FOR BEARING BORE INSTALLTION
- (6) WILL NOT FIT ABS EQUIPPED AXLES

MASTER SEAL INTERCHANGE

PART NUMBER	MANU-FACTURER	STANDARD SERVICE KIT	SEVERE SERVICE KIT	UNITIZED SEAL
657890	White	69621	-	-
6584S	National	69611	-	65116U
65872A	Oshkosh	69783	-	-
65872AX	Oshkosh	69783	-	-
659683	White	69622	-	-
659966	White	69705	-	65275U
66015	Freightliner	69699	-	65263U
661D2	White	69690	-	-
663043R91	International	69705	-	65275U
663379	White	69789	70789	65283U
663473	GMC	69791	70791	65172U
6635	National	69795	-	-
6635S	National	69795	-	-
6638	National	69699	-	65263U
665691	GMC	69699	-	65263U
670006A	National	69789	70789	65283U
670118	White		70561 (2)	65261U
6719	Trailmobile	69599	-	65298U
672D2	Reo	69612	-	-
674105	White	69785	-	65111U
674237	GMC	69690	-	-
674D2	Reo	69699	-	65263U
6750231	GMC	69786	-	65111U
6755	National	69796	70796	65270U
675711	White	69791	70791	65172U
6768481	GMC		-	-
67696R91	International	69797	-	65184U
6773311	GMC	69786	-	65111U
6780	National	69612	-	-
679D2	Reo	69690	-	-
6800970446	Freightliner	69645	-	-
680273R91	International	69690	-	-
680299R91	International	69690	-	-
680392	GMC	69794 (5)	-	65024U
6809970146	Freightliner	69785	-	65111U
681277	White	69795	-	-
683590	GMC	69711	-	-
68380	Eaton	69792	-	-
68380	Eaton	69797	-	65184U
685215	GMC	69799	70799 (6)	65156U
685216	GMC	69799	70799 (6)	65156U
68537R1	International	-	-	-
68537R91	International	69522	-	-
68537R91	International	-	-	-
6864	National	69794 (5)	-	65152U (4)
6864 w/47686	National	69794 (5)	-	65152U (4)
6869	National	69798	70798	65165U
686996	GMC	69614	-	-
686996	GMC	69689	-	-
6872	National	69799	70799 (6)	65156U
6873	National	69783	-	-
688061	GMC	69798	70798	65165U
688316	GMC	69743	-	65027U
688392	GMC	69794 (5)	-	65024U

PART NUMBER	MANU-FACTURER	STANDARD SERVICE KIT	SEVERE SERVICE KIT	UNITIZED SEAL
6928N	National	69750	-	-
69307R91	International	69785	-	65111U
697119R91	International	69750	-	-
697768	GMC	69599	-	65298U
698028	White	69706	-	-
698444R91	International		-	-
698764R1	International		70561 (2)	65261U
698764R91	International		70561 (2)	65261U
7000	Ford	69612	-	-
700016	White	69599	-	65298U
70010110	Trailmobile	69799	70799 (6)	65156U
7001015	Trailmobile	69596	70596	65262U
7001016	Trailmobile		70561 (2)	65261U
7001017	Trailmobile	69598	70598	65060U
7001018	Trailmobile	69599	-	65298U
7001019	Trailmobile	69699	-	65263U
700105	White	69622	-	-
7001260	Trailmobile		70561 (2)	65261U
7001260L	Trailmobile		70561 (2)	65261U
7001260L	Trailmobile		70561 (2)	65261U
7001260T	Trailmobile		70561 (2)	65261U
7001260T	Trailmobile		70561 (2)	65261U
7001261	Trailmobile	69594	-	-
700263	White	69699	-	65263U
700284	White	69796	70796	65270U
7006	National	69789	70789	65283U
701224	GMC	69792	-	-
701224	GMC	69797	-	65184U
701225	GMC	69791	70791	65172U
701226	GMC	69798	70798	65165U
701400	Midland-Barrier	69645	-	-
701679	GMC	69798	70798	65165U
70213777	White	69794 (5)	-	65152U (4)
7029	National	69783	-	-
7041	National	69693	-	65291U
7041S	National	69693	-	65291U
704303	GMC	69640	-	-
704925	GMC	69799	70799 (6)	65156U
705400	Midland-Barrier	69699	-	65263U
705762	GMC	69640	-	-
705925	GMC	69799	70799 (6)	65156U
706400	Midland-Barrier	69697	-	65092U
706400	Midland-Barrier	69699	-	65263U
706765	GMC	69795	-	-
708400	Midland-Barrier	69690	-	-
709400	Midland-Barrier	69693	-	65291U
70HH1131	Dana / Spicer	69706	-	-
710360	GMC	69792	-	-
710360	GMC	69797	-	65184U
710400	Midland-Barrier	69611	-	65116U
710536	GMC	69611	-	65116U
712831	GMC	69787	-	-
712832	GMC	69693	-	65291U
712833	GMC	69611	-	65116U

- (1) FOR BORE DIAMETERS OVER 5.284 USE 70561 KIT
- (2) REPLACES 70597
- (3) 65294U SEAL MUST BE USED WITH 67038 BEARING SPACER

- (4) REMOVAL OF OEM SEAL SPACER IS REQUIRED PRIOR TO INSTALLATION
- (5) FOR BEARING BORE INSTALLTION
- (6) WILL NOT FIT ABS EQUIPPED AXLES



MASTER SEAL INTERCHANGE

PART NUMBER	MANU-FACTURER	STANDARD SERVICE KIT	SEVERE SERVICE KIT	UNITIZED SEAL
712834	GMC	69794 (5)	-	65024U
713273	White	69799	70799 (6)	65156U
713400	Midland-Barrier	69640	-	-
714400	Midland-Barrier	69692	-	65000U
714702	White	-	70561 (2)	65261U
715506	GMC	69691	-	-
716122	GMC	69697	-	65092U
716400	Midland-Barrier	69625	-	-
716761	White	69797	-	65184U
717054	White	69799	70799 (6)	65156U
717400	Midland-Barrier	69689	-	-
7179	National	69611	-	65116U
7179S	National	69611	-	65116U
718657	White	69705	-	65275U
719400	Midland-Barrier	69628	-	65294U
721490	GMC	69697	-	65092U
721490	White	69697	-	65092U
725400	Midland-Barrier	69695	-	-
731400	Midland-Barrier	69785	-	65111U
736400	Midland-Barrier	69696	-	65078U
7376	National	69799	70799 (6)	65156U
7378	National	69789	70789	65283U
73873	Eaton	69743	-	65027U
740400	Midland-Barrier	69541	70541	-
741400	Midland-Barrier	69512	-	-
74147	GMC	-	70561 (2)	65261U
742400	Midland-Barrier	69612	-	-
742E772238	Lufkin	69598	70598	65060U
742EP46740	Lufkin	-	70561 (2)	65261U
742EP49180	Lufkin	-	70561 (2)	65261U
742EP49250	Lufkin	-	70561 (2)	65261U
7430	National	69691	-	-
7430S	National	69691	-	-
7430S54	National	69691	-	-
743400	Midland-Barrier	69594	-	-
744400	Midland-Barrier	69591	-	-
7452	National	69797	-	65184U
7452S	National	69797	-	65184U
7453	National	69791	70791	65172U
7453S	National	69791	70791	65172U
7454	National	69798	70798	65165U
745400	Midland-Barrier	69520	70596	65262U
7454S	National	69798	70798	65165U
7455	National	69789	70789	65283U
7455S	National	69789	70789	65283U
746400	Midland-Barrier	69590	-	-
747400	Midland-Barrier	-	70561 (2)	65261U
749400	Midland-Barrier	69599	-	65298U
750199C91	International	69792	-	-
750199C91	International	69797	-	65184U
756400	Midland-Barrier	69598	70598	65060U
757313C91	International	69697	-	65092U
759400	Midland-Barrier	69753	-	-
759704C91	International	69789	70789	65283U

- (1) FOR BORE DIAMETERS OVER 5.284 USE 70561 KIT
- (2) REPLACES 70597
- (3) 65294U SEAL MUST BE USED WITH 67038 BEARING SPACER

PART NUMBER	MANU-FACTURER	STANDARD SERVICE KIT	SEVERE SERVICE KIT	UNITIZED SEAL
759704C91	International	69792	-	-
760400	Midland-Barrier	69743	-	65027U
760885C91	International	69794 (5)	-	65152U (4)
761400	Midland-Barrier	69799	70799 (6)	65156U
761D6	White	-	-	-
762400	Midland-Barrier	69795	-	-
763205C91	International	69791	70791	65172U
763400	Midland-Barrier	69798	70798	65165U
763457C91	International	69697	-	65092U
764774C91	International	69711	-	-
768400	Midland-Barrier	69783	-	-
768400 w/41200	Midland-Barrier	69783	-	-
7688R9	International	69794 (5)	-	65152U (4)
769400	Midland-Barrier	69782	-	-
770400	Midland-Barrier	69794 (5)	-	65152U (4)
771400	Midland-Barrier	69792	-	-
771400	Midland-Barrier	69797	-	65184U
771723C91	International	69791	70791	65172U
772186C91	International	69692	-	65000U
772400	Midland-Barrier	69791	70791	65172U
773400	Midland-Barrier	69711	-	-
774400	Midland-Barrier	69794 (5)	-	65152U (4)
775400	Midland-Barrier	69711	-	-
775697C91	International	69690	-	-
775698C91	International	69799	70799 (6)	65156U
777400	Midland-Barrier	69798	70798	65165U
778400	Midland-Barrier	69786	-	65111U
77895	Freightliner	69594	-	-
77895	Freuehauf	69594	-	-
780055C91	International	-	-	-
780316C91	International	69692	-	65000U
781366C91	International	69699	-	65263U
781400	Midland-Barrier	69799	70799 (6)	65156U
782400	Midland-Barrier	69792	-	-
782400	Midland-Barrier	69797	-	65184U
784323C91	International	69795	-	-
785400	Midland-Barrier	69796	70796	65270U
786400	Midland-Barrier	69780	-	-
7866	National	69690	-	-
788400	Midland-Barrier	69787	-	-
788485C91	International	69794 (5)	-	65152U (4)
789400	Midland-Barrier	69788	70788	65071U
790400	Midland-Barrier	69789	70789	65283U
791400	Midland-Barrier	69781	-	65030U
7930	National	69691	-	-
794408C91	International	69697	-	65092U
7EQ1175	Ford	69794 (5)	-	65152U (4)
7EQ1175A	Ford	69711	-	-
7EQ1175A1	Ford-Drive	69711	-	-
7EQ1175A1	Ford-Trailer	69711	-	-
7EQ1175A2	Ford-Drive	69711	-	-

- (4) REMOVAL OF OEM SEAL SPACER IS REQUIRED PRIOR TO INSTALLATION
- (5) FOR BEARING BORE INSTALLTION
- (6) WILL NOT FIT ABS EQUIPPED AXLES



MASTER SEAL INTERCHANGE

PART NUMBER	MANU-FACTURER	STANDARD SERVICE KIT	SEVERE SERVICE KIT	UNITIZED SEAL
7EQ1175A2	Ford-Trailer	69711	-	-
7EQ1175H	Ford	69794 (5)	-	65152U (4)
7EQH1175	Ford	69794 (5)	-	65152U (4)
7EQH1175A	Ford	69711	-	-
7EQH1175A2	Ford	69711	-	-
7QH1175	Ford	69794 (5)	-	65152U (4)
7QQ1175A	Ford	69785	-	65111U
8005	National	69596	70596	65262U
8005S	National	69596	70596	65262U
8037418	GMC	69621	-	-
8093412	GMC	69604	-	-
815947	White	69791	70791	65172U
81DB1175B	Ford	69711	-	-
81DB1175CA	Ford	69706	-	-
827564	White	69699	-	65263U
830948	White	69604	-	-
833918	White	69621	-	-
833948	White	69621	-	-
834262	White	69604	-	-
837705	White-Drive	69711	-	-
837705	White-Trailer	69711	-	-
839495	White	69799	70799 (6)	65156U
839496	White	69522	-	-
839594	White	69522	-	-
839594	White-Drive	-	-	-
839984	White	69699	-	65263U
841125	White		70561 (2)	65261U
847	Eaton / NOK	69699	-	65263U
848	Eaton / NOK	69794 (5)	-	65152U (4)
849	Eaton / NOK	69794 (5)	-	65152U (4)
849505	White	69522	-	-
849505	White-Drive	-	-	-
84Q1175A	Ford	69785	-	65111U
850	Eaton / NOK		70561 (2)	65261U
851	Eaton / NOK	69596	70596	65262U
852	Eaton / NOK	69788	70788	65071U
852722	White	69783	-	-
853	Eaton / NOK	69599	-	65298U
8532	National	69697	-	65092U
854	Eaton / NOK	69797	-	65184U
854091	White	69622	-	-
854091	White	69623	-	-
855	Eaton / NOK	69692	-	65000U
856	Eaton / NOK	69796	70796	65270U
857	Eaton / NOK	69696	-	65078U
857824	White	69789	70789	65283U
858	Eaton / NOK	69791	70791	65172U
858345	White	69794 (5)	-	65152U (4)
858352	White	69689	-	-
858353A	White	69604	-	-
858354	White	69622	-	-

PART NUMBER	MANU-FACTURER	STANDARD SERVICE KIT	SEVERE SERVICE KIT	UNITIZED SEAL
858355	White	69520	70596	65262U
858356	White	69594	-	-
858358	White		70561 (2)	65261U
858375	White	69794 (5)	-	65152U (4)
858383	White	69699	-	65263U
858391	White	69689	-	-
858397	White	69604	-	-
858408	White	69794 (5)	-	65152U (4)
858849	White	69690	-	-
858D6	Reo	69794 (5)	-	65152U (4)
859	Eaton / NOK	69598	70598	65060U
859063	White	69621	-	-
859064	White	69785	-	65111U
859813	White	69789	70789	65283U
859814	White	69789	70789	65283U
859817	White	69522	-	-
859817	White	-	-	-
859922	White	69792	-	-
859922	White	69797	-	65184U
859965	White	69783	-	-
859966	White	69705	-	65275U
859967	White	69795	-	-
859969	White	69792	-	-
859969	White	69797	-	65184U
859970	White	69612	-	-
859971	White	69711	-	-
859972	White	69711	-	-
859973	White	69711	-	-
859975	White	69604	-	-
859976	White	69622	-	-
859977	White	69623	-	-
859978	White	69623	-	-
859979	White	69623	-	-
859980	White	69623	-	-
859981	White	69623	-	-
859982	White	69623	-	-
859985	White	69699	-	65263U
860	Eaton / NOK	69798	70798	65165U
861	Eaton / NOK	69799	70799 (6)	65156U
861546	White	69794 (5)	-	65152U (4)
862502	White		70561 (2)	65261U
862739C91	International	69786	-	65111U
863	Eaton / NOK	69697	-	65092U
864643C91	International	69794 (5)	-	65152U (4)
864643C92	International	69794 (5)	-	65152U (4)
864784C91	International	69706	-	-
867424	White	69697	-	65092U
8676	National	69611	-	65116U
869235	White	69731	-	-
875187R92	International	69794 (5)	-	65152U (4)

- (1) FOR BORE DIAMETERS OVER 5.284 USE 70561 KIT
- (2) REPLACES 70597
- (3) 65294U SEAL MUST BE USED WITH 67038 BEARING SPACER

- (4) REMOVAL OF OEM SEAL SPACER IS REQUIRED PRIOR TO INSTALLATION
- (5) FOR BEARING BORE INSTALLTION
- (6) WILL NOT FIT ABS EQUIPPED AXLES



MASTER SEAL INTERCHANGE

PART NUMBER	MANU-FACTURER	STANDARD SERVICE KIT	SEVERE SERVICE KIT	UNITIZED SEAL
876235R91	International	69711	-	-
880620C91	International	69780	-	-
880705	White	69604	-	-
88319	Eaton	69799	70799 (6)	65156U
883238	White	69695	-	-
88327	Eaton	69783	-	-
8872	National	69697	-	65092U
8873425	GMC	69795	-	-
889568	White	69789	70789	65283U
889737C91	International	69612	-	-
88AX100	Mack	69604	-	-
88AX110	Mack	69628	-	65294U
88AX110P1	Mack	69628	-	65294U
88AX124	Mack	69781	-	65030U
88AX138	Mack	69628	-	65294U
88AX151	Mack	69618	-	-
88AX153	Mack	69788	70788	65071U
88AX177	Mack	69796	70796	65270U
88AX20	Mack		70561 (2)	65261U
88AX21	Mack	69791	70791	65172U
88AX234	Mack		70561 (2)	65261U
88AX240	Mack	69792	-	-
88AX240P3	Mack	69799	70799 (6)	65156U
88AX270	Mack	69750	-	-
88AX286	Mack	69795	-	-
88AX287	Mack	69799	70799 (6)	65156U
88AX305	Mack	69616	-	-
88AX305	Mack	69628	-	65294U
88AX325	Mack	69792	-	-
88AX326	Mack	69792	-	-
88AX328	Mack	69604	-	-
88AX372	Mack	69796	70796	65270U
88AX373	Mack	69788	70788	65071U
88AX374	Mack	69690	-	-
88AX375	Mack	69750	-	-
88AX376	Mack	69781	-	65030U
88AX378	Mack	69750	-	-
88AX379	Mack		-	-
88AX380	Mack	69792	-	-
88AX382	Mack	69781	-	65030U
88AX399	Mack	69781	-	65030U
88AX402	Mack	69781	-	65030U
88AX403	Mack	69781	-	65030U
88AX404	Mack	69781	-	65030U
88AX405	Mack	69788 (6)	70788 (6)	65071U
88AX406	Mack	69792	-	-
88AX407	Mack	69796	70796	65270U
88AX418	Mack	69788	70788	65071U
88AX419	Mack	69705	-	65275U
88AX420	Mack	69799	70799 (6)	65156U
88AX421	Mack	69796	70796	65270U
88AX424	Mack	69781	-	65030U
88AX425	Mack	69599	-	65298U
88AX426	Mack	69697	-	65092U

PART NUMBER	MANU-FACTURER	STANDARD SERVICE KIT	SEVERE SERVICE KIT	UNITIZED SEAL
88AX427	Mack	69792	-	-
88AX427	Mack	69797	-	65184U
88AX432	Mack	69798	70798	65165U
88AX466	Mack	69788	70788	65071U
88AX467	Mack	69796	70796	65270U
88AX59	Mack		-	-
88AX65	Kenworth	69750	-	-
88AX65	Mack	69750	-	-
88AX70	Kenworth	69689	-	-
88AX70	Mack	69689	-	-
88AX72	Mack	69690	-	-
88AX77	Mack		-	-
88AX97	Mack	69689	-	-
88AZ110P1	Mack	69628	-	65294U
890520	White	69623	-	-
890608	White	69795	-	-
891011	White	69612	-	-
891012	White	69711	-	-
891014	White	69623	-	-
891015	White	69699	-	65263U
891017	White	69705	-	65275U
891020	White	69792	-	-
891020	White	69797	-	65184U
891033	White	69699	-	65263U
891034	White	69699	-	65263U
891035	White	69699	-	65263U
891045	White	69792	-	-
891045	White	69797	-	65184U
892457	White	69799	70799 (6)	65156U
892486	White	69604	-	-
896941C91	International	69697	-	65092U
896941R91	International	69697	-	65092U
898235R92	International	69792	-	-
898235R92	International	69797	-	65184U
898235R93	International	69792	-	-
898235R93	International	69797	-	65184U
899496	White	69604	-	-
8EB1190	Ford	69699	-	65263U
9002532	White	69792	-	-
9002532	White	69797	-	65184U
9004315	White	69792	-	-
9004315	White	69797	-	65184U
9004366	White	69799	70799 (6)	65156U
905010111	Trailmobile	69596	70596	65262U
905010114	Trailmobile	69598	70598	65060U
9050A1019	GMC	69599	-	65298U
9051	National	69799	70799 (6)	65156U
90RU213P2	Mack	69698	-	-
91029	White	69604	-	-
9188402	GMC	69690	-	-
925172R91	International	69690	-	-
925173R91	International	69690	-	-
93068	White	69604	-	-
93088	White	69604	-	-

- (1) FOR BORE DIAMETERS OVER 5.284 USE 70561 KIT
- (2) REPLACES 70597
- (3) 65294U SEAL MUST BE USED WITH 67038 BEARING SPACER

- (4) REMOVAL OF OEM SEAL SPACER IS REQUIRED PRIOR TO INSTALLATION
- (5) FOR BEARING BORE INSTALLTION
- (6) WILL NOT FIT ABS EQUIPPED AXLES

MASTER SEAL INTERCHANGE

PART NUMBER	MANU-FACTURER	STANDARD SERVICE KIT	SEVERE SERVICE KIT	UNITIZED SEAL
93333	International	69611	-	65116U
93333	White	69604	-	-
940010001	White	69697	-	65092U
940010003	White	69782	-	-
940010006	White	69598	70598	65060U
94001001	White	69697	-	65092U
940010014	White	69699	-	65263U
940010015	Volvo	69789	70789	65283U
940010016	White	69598	70598	65060U
940010017	White	69794 (5)	-	65152U (4)
940010019	White	69799	70799 (6)	65156U
940010022	White	69799	70799 (6)	65156U
940010028	White	69799	70799 (6)	65156U
940010029	White	69699	-	65263U
940010032	Volvo / GMC	69598	70598	65060U
940013410	Western Star	69598	70598	65060U
940013604	White	69699	-	65263U
940013606	White	69640	-	-
94399R91	International	69731	-	-
95	International	69612	-	-
95357	Eaton	69794 (5)	-	65152U (4)
9584	National	69785	-	65111U
972401R91	International	69794 (5)	-	65152U (4)
974526R91	International	69799	70799 (6)	65156U
974644R91	International	69522	-	-
974644R91	International-Tra	-	-	-
982259R91	International	69783	-	-
983006R91	International	69795	-	-
983570R1	International	69799	70799 (6)	65156U
992482C91	International	69692	-	65000U
992483C91	International	69692	-	65000U
992484C91	International	69696	-	65078U
992485C91	International	69696	-	65078U
999RU1645	Mack	69792	-	-
999RV1645	Mack	69792	-	-
999RV1645	Mack	69797	-	65184U
A11205A1093	Meritor	69789	70789	65283U
A1205B514	Meritor	69711	-	-
A1205B574	Meritor	69711	-	-
A1205C1381	Meritor	69695	-	-
A1205C575	Meritor	69711	-	-
A1205D1044	Meritor	69697	-	65092U
A1205D1070	Meritor	69697	-	65092U
A1205E1019	Meritor	69635	-	-
A1205E1071	Meritor	69699	-	65263U
A1205E1253	Meritor	69711	-	-
A1205E1799	Meritor	-	70561 (2)	65261U
A1205F1072	Meritor	69783	-	-
A1205F890	Meritor	69599	-	65298U
A1205F916	Meritor	69799	70799 (6)	65156U
A1205G2191	Meritor	69598	70598	65060U
A1205G631	Meritor	69699	-	65263U
A1205G735	Meritor	69730	-	-

PART NUMBER	MANU-FACTURER	STANDARD SERVICE KIT	SEVERE SERVICE KIT	UNITIZED SEAL
A1205H762	Meritor	69690	-	-
A1205J1206	Meritor	69690	-	-
A1205J634	Meritor	69795	-	-
A1205J738	Meritor	69785	-	65111U
A1205K1285	Meritor	69799	70799 (6)	65156U
A1205K2013	Meritor	69635	-	-
A1205K739	Meritor	69785	-	65111U
A1205K999	Meritor	69598	70598	65060U
A1205L1338	Meritor	69699	-	65263U
A1205L1546	Meritor	69753	-	-
A1205L324	Meritor	-	70561 (2)	65261U
A1205M1339	Meritor	69697	-	65092U
A1205M897	Meritor	-	70561 (2)	65261U
A1205N898	Meritor	69599	-	65298U
A1205P1004	Meritor	69711	-	-
A1205P1212	Meritor	69598	70598	65060U
A1205P1368	Meritor	69640	-	-
A1205P276	Meritor	69730	-	-
A1205P666	Meritor	69753	-	-
A1205Q1889	Meritor	69596	70596	65262U
A1205R1630	Meritor	69789	70789	65283U
A1205S1449	Meritor	69699	-	65263U
A1205S669	Meritor	69612	-	-
A1205T436	Meritor	69620	-	-
A1205T696	Meritor	69799	70799 (6)	65156U
A1205T774	Meritor	-	-	-
A1205U1061	Meritor	69799	70799 (6)	65156U
A1205U2101	Meritor	69799	70799 (6)	65156U
A1205U2205	Meritor	69596	70596	65262U
A1205U697	Meritor	69789	70789	65283U
A1205V1192	Meritor	69635	-	-
A1205V1660	Ford	69640	-	-
A1205V2102	Meritor	69695	-	-
A1205V2180	Meritor	69799	70799 (6)	65156U
A1205W1349	Meritor	69794 (5)	-	65152U (4)
A1205W1375	Meritor	69699	-	65263U
A1205W1557	Meritor	69785	-	65111U
A1205W959	Meritor	69598	70598	65060U
A1205X700	Meritor	69783	-	-
A1205Y1715	Meritor	69695	-	-
A1205Y1975	Meritor	69596	70596	65262U
A1205Z364	Meritor	69635	-	-
A1205Z780	Meritor	69697	-	65092U
A1244C393	Meritor	69783	-	-
A1805E369	Meritor	69604	-	-
A1805E369	Meritor	69621	-	-
A1805J244	Meritor	69611	-	65116U
A21205V542	Meritor	69513	-	-
A31205V542	Meritor	69598	70598	65060U
A31205V542	Meritor	69799	70799 (6)	65156U
A545634	Fruehauf	-	70561 (2)	65261U
A548796	Fruehauf	69594	-	-
A549797	Fruehauf	69594	-	-
A56069	National	69791	70791	65172U

- (1) FOR BORE DIAMETERS OVER 5.284 USE 70561 KIT
- (2) REPLACES 70597
- (3) 65294U SEAL MUST BE USED WITH 67038 BEARING SPACER

- (4) REMOVAL OF OEM SEAL SPACER IS REQUIRED PRIOR TO INSTALLATION
- (5) FOR BEARING BORE INSTALLTION
- (6) WILL NOT FIT ABS EQUIPPED AXLES



MASTER SEAL INTERCHANGE

PART NUMBER	MANU-FACTURER	STANDARD SERVICE KIT	SEVERE SERVICE KIT	UNITIZED SEAL
A565634	Fruehauf		70561 (2)	65261U
A6864D60	National	69794 (5)	-	65152U (4)
AAB75691	Fruehauf		70561 (2)	65261U
AAB75692	Fruehauf		70561 (2)	65261U
ACA1853	Fruehauf	69594	-	-
ACA5207	Fruehauf	69596	70596	65262U
ACA52071	Fruehauf	69596	70596	65262U
ACC74461	Fruehauf	69594	-	-
ACC74462	Fruehauf	69594	-	-
ACC74571	Fruehauf	69502	-	-
ACE55171	Fruehauf	69594	-	-
ACE55172	Fruehauf	69596	70596	65262U
ACE55173	Fruehauf	69594	-	-
ACF82951	Fruehauf	69598	70598	65060U
AE9RK	Midland-Barrier	69693	-	65291U
AFD23801	Fruehauf		70561 (2)	65261U
AND93811	Freightliner	69596	70596	65262U
AND93812	Fruehauf	69520	70596	65262U
AOS9151	PAI	69628	-	65294U
AUA1803	Fruehauf		70561 (2)	65261U
AUA79341	Fruehauf		70561 (2)	65261U
AXA0043	Freightliner	69596	70596	65262U
AXA0043	Fruehauf	69596	70596	65262U
AXA0043X	Fruehauf	69596	70596	65262U
AXA043	Freightliner	69596	70596	65262U
B166564	Heil		-	-
B2155BJ	National	69787	-	-
B23377	White	69623	-	-
B370001BG	National	69699	-	65263U
B370002BG	National	69590	-	-
B370003BG	National	69799	70799 (6)	65156U
B370004BG	National	69513	-	-
B370005BG	National	69798	70798	65165U
B370006BG	National	69789	70789	65283U
B370007BG	National	69690	-	-
B370008BG	National	69711	-	-
B370009BG	National	69787	-	-
B370010BG	National	69612	-	-
B370011BG	National	69689	-	-
B370011BG w/AR4	National	69689	-	-
B370011BGR	National	69689	-	-
B370012BG	National	69693	-	65291U
B370012BG w/AR6	National	69622	-	-
B370012BG w/AR7	National	69622	-	-
B370014BG	National	69604	-	-
B370014BG w/AR5	National	69604	-	-
B370015BG	National	69691	-	-
B370018BG	National	69611	-	65116U
B370019BG	National	69797	-	65184U
B370020BG	National	69698	-	-
B370021GR	National	69791	70791	65172U
B370022BG	National	69796	70796	65270U
B370023BG	National	69794 (5)	-	65152U (4)

- (1) FOR BORE DIAMETERS OVER 5.284 USE 70561 KIT
 (2) REPLACES 70597
 (3) 65294U SEAL MUST BE USED WITH 67038 BEARING SPACER

PART NUMBER	MANU-FACTURER	STANDARD SERVICE KIT	SEVERE SERVICE KIT	UNITIZED SEAL
B370025BG	National	69598	70598	65060U
B370026BG w/AR2	National	69594	-	-
B370027BG	National	69522	-	-
B370029BG	National	69591	-	-
B370030BG	National	69795	-	-
B370031BG	National	69788	70788	65071U
B370033BG	National	69705	-	65275U
B370036BG	National		70561 (2)	65261U
B370037BG	National	69599	-	65298U
B370046BG	National	69730	-	-
B370047BG	National	69785	-	65111U
B370048BG	National	69697	-	65092U
B370057BG	National	69640	-	-
B370058GR	National	69798	70798	65165U
B370065BG	National	69596	70596	65262U
B370069BG	National	69781	-	65030U
B370107BG	National	69541	70541	-
B370121BG	National	69782	-	-
B370124BG	National	69692	-	65000U
B370131BG	National	69696	-	65078U
B370145BG	National	69603	-	-
B370150BG	National	69645	-	-
B370338BG	National	69599	-	65298U
B370349BG	National		70561 (2)	65261U
B376590BG	National	69596	70596	65262U
B4Q1175A	Ford	69785	-	65111U
B5QH1190A	Ford	69699	-	65263U
B6J1175A	Ford	69730	-	-
B6O1175A	Ford	69785	-	65111U
B7785	White	69623	-	-
B8QH1175A	Ford	69791	70791	65172U
B8QH1175B	Ford	69783	-	-
B8QH1175H	Ford	69791	70791	65172U
B8QH1190A	Ford	69711	-	-
BB1175C	Ford	69730	-	-
BBJ1175C	Ford	69730	-	-
BOS6970	PAI	69781	-	65030U
BOS6980	PAI	69788	70788	65071U
BOS6991	PAI	69799	70799 (6)	65156U
BOS7260	PAI	69796	70796	65270U
BOS7560	PAI	69750	-	-
BOS7610	PAI	69788	70788	65071U
BOS7780	PAI	69788	70788	65071U
C2TA38007C	Ford	69690	-	-
C2TA4A052A	Ford	69791	70791	65172U
C2TS38007A	Ford	69690	-	-
C2TS4A052A	Ford	69794 (5)	-	65152U (4)
C2TS4A052B	Ford	69711	-	-
C32TS1175F	Ford	69787	-	-
C32TS1175FA	Ford	69711	-	-
C3TA1175F	Ford	69787	-	-

- (4) REMOVAL OF OEM SEAL SPACER IS REQUIRED PRIOR TO INSTALLATION
 (5) FOR BEARING BORE INSTALLTION
 (6) WILL NOT FIT ABS EQUIPPED AXLES

MASTER SEAL INTERCHANGE

PART NUMBER	MANU-FACTURER	STANDARD SERVICE KIT	SEVERE SERVICE KIT	UNITIZED SEAL
C3TA1175FA	Ford	69711	-	-
C3TS1190A	Ford	69612	-	-
C3TS38007A	Ford	69620	-	-
C3TS38007B	Ford	69620	-	-
C3TS38007C	Ford	69699	-	65263U
C3TS38007D	Ford	69699	-	65263U
C3TS38007E	Ford	69690	-	-
C3TS4A052A	Ford	69797	-	65184U
C3TS4A052E	Ford		70561 (2)	65261U
C3TZ1190C	Ford	69612	-	-
C3TZ1190S	Ford	69612	-	-
C4TA1190A	Ford	69690	-	-
C4TS38007B	Ford	69699	-	65263U
C4TZ1190A	Ford	69690	-	-
C4TZ1190B	Ford	69697	-	65092U
C5TA1190B	Ford	69697	-	65092U
C5TA1190D	Ford	69636	-	-
C5TS38007B	Ford	69612	-	-
C5TS38007C	Ford	69612	-	-
C5TS38007D	Ford	69690	-	-
C5TZ1190B	Ford	69697	-	65092U
C5TZ1190D	Ford	69636	-	-
C6TS38007C	Ford	69697	-	65092U
C6TS3B007A	Ford	69699	-	65263U
C6TS3B007E	Ford	69699	-	65263U
C6TS4A052B	Ford	69789	70789	65283U
C6TS4A052D	Ford	69785	-	65111U
C6TS4A052F	Ford	69791	70791	65172U
C7TS38007A	Ford	69699	-	65263U
C7TS3B007B	Ford	69690	-	-
C7TS4A052A	Ford	69783	-	-
C8HA1173A	Ford	69797	-	65184U
C8HA1173B	Ford	69797	-	65184U
C8HA1173C	Ford	69791	70791	65172U
C8HA1173D	Ford	69791	70791	65172U
C8HA1175A	Ford	69797	-	65184U
C8HA1175B	Ford	69797	-	65184U
C8HA1175C	Ford	69791	70791	65172U
C8HA1175D	Ford	69791	70791	65172U
C8HS38007L	Ford	69697	-	65092U
C8HS4A052D	Ford	69730	-	-
C8HS4A052H	Ford	69795	-	-
C8HZ1175A	Ford	69797	-	65184U
C8HZ1175B	Ford	69791	70791	65172U
C8TA1173A	Ford	69730	-	-
C8TA1173B	Ford	69730	-	-
C8TA1173C	Ford	69785	-	65111U
C8TA1173D	Ford	69785	-	65111U
C8TA1173E	Ford	69711	-	-
C8TA1173F	Ford	69711	-	-
C8TA1173G	Ford	69794 (5)	-	65152U (4)
C8TA1173H	Ford	69794 (5)	-	65152U (4)
C8TA1175A	Ford	69730	-	-
C8TA1175B	Ford	69730	-	-

PART NUMBER	MANU-FACTURER	STANDARD SERVICE KIT	SEVERE SERVICE KIT	UNITIZED SEAL
C8TA1175B	Ford	69730	-	-
C8TA1175C	Ford	69785	-	65111U
C8TA1175D	Ford	69785	-	65111U
C8TA1175E	Ford	69711	-	-
C8TA1175F	Ford	69711	-	-
C8TA1175G	Ford	69794 (5)	-	65152U (4)
C8TA1175H	Ford	69794 (5)	-	65152U (4)
C8TZ1175A	Ford	69730	-	-
C8TZ1175B	Ford	69785	-	65111U
C8TZ1175C	Ford	69711	-	-
C8TZ1175D	Ford	69794 (5)	-	65152U (4)
C9HA1173A	Ford	69797	-	65184U
C9HA1175A	Ford	69792	-	-
C9HA1175A	Ford	69797	-	65184U
C9HA1175B	Ford	69797	-	65184U
C9HA1175C	Ford	69791	70791	65172U
C9HA1175D	Ford	69791	70791	65172U
C9HA1190A	Ford	69695	-	-
C9HA1190B	Ford	69640	-	-
C9HS1190A	Ford	69690	-	-
C9HS1190F	Ford	69699	-	65263U
C9HS4A052A2	Ford	69797	-	65184U
C9HS4A052B2	Ford	69711	-	-
C9HZ1175A	Ford	69797	-	65184U
C9HZ1175B	Ford	69791	70791	65172U
C9HZ1175E	Ford	69730	-	-
C9HZ1175F	Ford	69730	-	-
C9HZ1190A	Ford	69695	-	-
C9HZ1190B	Ford	69640	-	-
C9TA1173B	Ford	69785	-	65111U
C9TA1173C	Ford	69711	-	-
C9TA1173F	Ford	69711	-	-
C9TA1175E	Ford	69730	-	-
C9TA1175G	Ford	69785	-	65111U
C9TA1175H	Ford	69785	-	65111U
C9TA1175J	Ford	69711	-	-
C9TA1175K	Ford	69711	-	-
C9TA1175L	Ford	69794 (5)	-	65152U (4)
C9TA1175M	Ford	69794 (5)	-	65152U (4)
C9TA1175N	Ford	69787	-	-
C9TA1175R	Ford	69787	-	-
C9TZ1175A	Ford	69792	-	-
DOAZ1190E	Ford	69697	-	65092U
DOHA1173A	Ford	69730	-	-
DOHA1173B	Ford	69785	-	65111U
DOHA1173C	Ford	69787	-	-
DOHA1173E	Ford	69797	-	65184U
DOHA1173F	Ford	69791	70791	65172U
DOHA1175A	Ford	69730	-	-
DOHA1175B	Ford	69785	-	65111U

- (1) FOR BORE DIAMETERS OVER 5.284 USE 70561 KIT
- (2) REPLACES 70597
- (3) 65294U SEAL MUST BE USED WITH 67038 BEARING SPACER

- (4) REMOVAL OF OEM SEAL SPACER IS REQUIRED PRIOR TO INSTALLATION
- (5) FOR BEARING BORE INSTALLTION
- (6) WILL NOT FIT ABS EQUIPPED AXLES

MASTER SEAL INTERCHANGE

PART NUMBER	MANU-FACTURER	STANDARD SERVICE KIT	SEVERE SERVICE KIT	UNITIZED SEAL
DOHA1175C	Ford	69706	-	-
DOHA1175D	Ford	69797	-	65184U
DOHA1175E	Ford	69791	70791	65172U
DOHA1175F	Ford	69787	-	-
DOHA1190L	Ford	69711	-	-
DOHA1190M	Ford	69697	-	65092U
DOHA1190N	Ford	69612	-	-
DOHA1190R	Ford	69699	-	65263U
DOHA1190S	Ford	69695	-	-
DOHA1190T	Ford	69690	-	-
DOHS1175C	Ford	69791	70791	65172U
DOHS1175D	Ford	69791	70791	65172U
DOHS1175E	Ford	69794 (5)	-	65152U (4)
DOHS1190A	Ford	69695	-	-
DOHS1190B	Ford	69699	-	65263U
DOHZ1175A	Ford	69730	-	-
DOHZ1175B	Ford	69785	-	65111U
DOHZ1175C	Ford	69787	-	-
DOHZ1175D	Ford	69794 (5)	-	65152U (4)
DOHZ1175E	Ford	69797	-	65184U
DOHZ1175F	Ford	69791	70791	65172U
DOHZ1190A	Ford	69695	-	-
DOHZ1190B	Ford	69699	-	65263U
DOHZ1190C	Ford	69640	-	-
DOHZ1190D	Ford	69711	-	-
DOHZ1190E	Ford	69697	-	65092U
DOTZ1175A	Ford	69730	-	-
DOTZ1175B	Ford	69785	-	65111U
DOTZ1175C	Ford	69711	-	-
DOTZ1175D	Ford	69794 (5)	-	65152U (4)
DOTZ1175E	Ford	69787	-	-
D1HA1190AA	Ford	69699	-	65263U
D1HA1190BA	Ford	69640	-	-
D1HA1190DA	Ford	69690	-	-
D1HS1175BA	Ford	69792	-	-
D1HS1175BA	Ford	69797	-	65184U
D1HZ1190A	Ford	69699	-	65263U
D1HZ1190B	Ford	69640	-	-
D2340	Reo	69699	-	65263U
D29652439	Kenworth	69799	70799 (6)	65156U
D2HS1175AA	Ford	69797	-	65184U
D2HS1175BA	Ford	69797	-	65184U
D2HS1190AA	Ford	69697	-	65092U
D3BA1175AA	Ford	69797	-	65184U
D3HA1175A	Ford	69791	70791	65172U
D3HA1175BA	Ford	69797	-	65184U
D3HA1175CA	Ford	69791	70791	65172U
D3HA1175DA	Ford	69791	70791	65172U
D3HA1190B1A	Ford	69697	-	65092U
D3HA1190B2A	Ford	69697	-	65092U
D3HS1175AA	Ford	69794 (5)	-	65152U (4)
D3HS1175BA	Ford	69794 (5)	-	65152U (4)
D3HS1175CA	Ford	69797	-	65184U

PART NUMBER	MANU-FACTURER	STANDARD SERVICE KIT	SEVERE SERVICE KIT	UNITIZED SEAL
D3HS1175DA	Ford	69791	70791	65172U
D3HS1190AA	Ford	69623	-	-
D3HZ1175A	Ford	69799	70799 (6)	65156U
D3HZ1175BA	Ford	69797	-	65184U
D3TA1175AA	Ford	69730	-	-
D3TA1175BA	Ford	69730	-	-
D3TA1175CA	Ford	69785	-	65111U
D3TA1175GA	Ford	69794 (5)	-	65152U (4)
D3TA1175HA	Ford	69794 (5)	-	65152U (4)
D3TA1175TA	Ford	69791	70791	65172U
D3TA1190BZA	Ford	69699	-	65263U
D3TZ1175E	Ford	69787	-	-
D4HS1175AA	Ford	69598	70598	65060U
D4HS1175BA	Ford	69791	70791	65172U
D5HA1175AA	Ford	69799	70799 (6)	65156U
D5HA1175BA	Ford	69799	70799 (6)	65156U
D5HA1175CA	Ford	69799	70799 (6)	65156U
D5HZ1175A	Ford	69799	70799 (6)	65156U
D5HZ1175A1A	Ford	69799	70799 (6)	65156U
D5HZ1175AA	Ford	69799	70799 (6)	65156U
D5HZ1190B	Ford	69699	-	65263U
D5HZ1190C	Ford	69697	-	65092U
D5HZ1190D	Ford	69697	-	65092U
D5TZ1190D	Ford	69697	-	65092U
D7HA1173A1A	Ford	69799	70799 (6)	65156U
D7HA1175A	Ford	69799	70799 (6)	65156U
D7HA1175A1A	Ford	69799	70799 (6)	65156U
D7HA1175AA	Ford	69799	70799 (6)	65156U
D7HS1190BA	Ford	69638	-	-
D7HT1175BA	Ford	69783	-	-
D7HZ1175A	Ford	69799	70799 (6)	65156U
D7HZ1175D	Ford	69799	70799 (6)	65156U
D7HZ1175E	Ford	69783	-	-
DOHS1175B	Ford	69791	70791	65172U
DR11RK	Midland-Barrier	69799	70799 (6)	65156U
DR12RK	Midland-Barrier	69791	70791	65172U
DR13RK	Midland-Barrier	69798	70798	65165U
DR14RK	Midland-Barrier	69794 (5)	-	65152U (4)
DR1501	Midland-Barrier	-	-	-
DR1502	Midland-Barrier	69783	-	-
DR1503	Midland-Barrier	69783	-	-
DR1504	Midland-Barrier	69783	-	-
DR1505	Midland-Barrier	69795	-	-
DR1506	Midland-Barrier	69711	-	-
DR1507	Midland-Barrier	69711	-	-
DR1508	Midland-Barrier	69789	70789	65283U
DR1509	Midland-Barrier	69797	-	65184U
DR1510	Midland-Barrier	69797	-	65184U
DR1511	Midland-Barrier	69799	70799 (6)	65156U
DR1512	Midland-Barrier	69791	70791	65172U
DR1513	Midland-Barrier	69798	70798	65165U
DR1514	Midland-Barrier	69798	70798	65165U
DR1515	Midland-Barrier	69797	-	65184U
DR1516	Midland-Barrier	69794 (5)	-	65152U (4)

- (1) FOR BORE DIAMETERS OVER 5.284 USE 70561 KIT
- (2) REPLACES 70597
- (3) 65294U SEAL MUST BE USED WITH 67038 BEARING SPACER

- (4) REMOVAL OF OEM SEAL SPACER IS REQUIRED PRIOR TO INSTALLATION
- (5) FOR BEARING BORE INSTALLTION
- (6) WILL NOT FIT ABS EQUIPPED AXLES



MASTER SEAL INTERCHANGE

PART NUMBER	MANU-FACTURER	STANDARD SERVICE KIT	SEVERE SERVICE KIT	UNITIZED SEAL
DR1517	Midland-Barrier	69705	-	65275U
DR1518	Midland-Barrier	69705	-	65275U
DR1519	Midland-Barrier	69705	-	65275U
DR1520	Midland-Barrier	69705	-	65275U
DR1521	Midland-Barrier	69799	70799 (6)	65156U
DR1522	Midland-Barrier	69792	-	-
DR1522	Midland-Barrier	69797	-	65184U
DR1523	Midland-Barrier	69792	-	-
DR1523	Midland-Barrier	69797	-	65184U
DR1524	Midland-Barrier	69792	-	-
DR1524	Midland-Barrier	69797	-	65184U
DR1525	Midland-Barrier	69796	70796	65270U
DR1528	Midland-Barrier	69789	70789	65283U
DR1531	Midland-Barrier	69799	70799 (6)	65156U
DR1541	Midland-Barrier	69799	70799 (6)	65156U
DR15RK	Midland-Barrier	69797	-	65184U
DR16RK	Midland-Barrier	69794 (5)	-	65152U (4)
DR17RK	Midland-Barrier	69705	-	65275U
DR1RK	Midland-Barrier	-	-	-
DR21RK	Midland-Barrier	69799	70799 (6)	65156U
DR22RK	Midland-Barrier	69792	-	-
DR28RK	Midland-Barrier	69789	70789	65283U
DR2RK	Midland-Barrier	69783	-	-
DR41RK	Midland-Barrier	-	-	-
DR4RK	Midland-Barrier	69783	-	-
DR5RK	Midland-Barrier	69795	-	-
DR6RK	Midland-Barrier	69711	-	-
DR8RK	Midland-Barrier	69789	70789	65283U
DR9RK	Midland-Barrier	69797	-	65184U
DRE10RK	Midland-Barrier	69794 (5)	-	65152U (4)
DRE11RK	Midland-Barrier	69797	-	65184U
DRE12RK	Midland-Barrier	69791	70791	65172U
DRE13RK	Midland-Barrier	69711	-	-
DRE14RK	Midland-Barrier	69794 (5)	-	65152U (4)
DRE1RK	Midland-Barrier	69799	70799 (6)	65156U
DRE22RK	Midland-Barrier	69792	-	-
DRE22RK	Midland-Barrier	69797	-	65184U
DRE23RK	Midland-Barrier	69788	70788	65071U
DRE24RK	Midland-Barrier	-	-	-
DRE25RK	Midland-Barrier	69796	70796	65270U
DRE26RK	Midland-Barrier	69780	-	-
DRE27RK	Midland-Barrier	69750	-	-
DRE2RK	Midland-Barrier	69795	-	-
DRE30RK	Midland-Barrier	69789	70789	65283U
DRE3RK	Midland-Barrier	69798	70798	65165U
DRE4501	Midland-Barrier	69799	70799 (6)	65156U
DRE4502	Midland-Barrier	69795	-	-
DRE4503	Midland-Barrier	69798	70798	65165U
DRE4504	Midland-Barrier	69798	70798	65165U
DRE4505	Midland-Barrier	69798	70798	65165U
DRE4506	Midland-Barrier	69798	70798	65165U
DRE4507	Midland-Barrier	69798	70798	65165U
DRE4508	Midland-Barrier	69798	70798	65165U
DRE4509	Midland-Barrier	69798	70798	65165U

PART NUMBER	MANU-FACTURER	STANDARD SERVICE KIT	SEVERE SERVICE KIT	UNITIZED SEAL
DRE4510 (1)	Midland-Barrier	69794 (5)	-	65152U (4)
DRE4511	Midland-Barrier	69797	-	65184U
DRE4512	Midland-Barrier	69791	70791	65172U
DRE4513	Midland-Barrier	69711	-	-
DRE4514	Midland-Barrier	69794 (5)	-	65152U (4)
DRE4515	Midland-Barrier	69794 (5)	-	65152U (4)
DRE4516	Midland-Barrier	69794 (5)	-	65152U (4)
DRE4517	Midland-Barrier	69794 (5)	-	65152U (4)
DRE4518	Midland-Barrier	69794 (5)	-	65152U (4)
DRE4519	Midland-Barrier	69794 (5)	-	65152U (4)
DRE4520	Midland-Barrier	69794 (5)	-	65152U (4)
DRE4521	Midland-Barrier	69794 (5)	-	65152U (4)
DRE4522	Midland-Barrier	69792	-	-
DRE4522	Midland-Barrier	69797	-	65184U
DRE4524	Midland-Barrier	-	-	-
DRE4525	Midland-Barrier	69796	70796	65270U
DRE4526	Midland-Barrier	69780	-	-
DRE4527	Midland-Barrier	69750	-	-
DRE4528	Midland-Barrier	69750	-	-
DRE4529	Midland-Barrier	69750	-	-
DRE4530	Midland-Barrier	69789	70789	65283U
DRE5061	Midland-Barrier	69799	70799 (6)	65156U
DRE5062	Midland-Barrier	69795	-	-
DRE5063	Midland-Barrier	69798	70798	65165U
DRE5066	Midland-Barrier	-	-	-
DRE5070	Midland-Barrier	69794 (5)	-	65152U (4)
DRE5071	Midland-Barrier	69797	-	65184U
DRE5072	Midland-Barrier	69791	70791	65172U
DRE5073	Midland-Barrier	69711	-	-
DRE5074	Midland-Barrier	69794 (5)	-	65152U (4)
DRE5075	Midland-Barrier	69711	-	-
DRE5076	Midland-Barrier	69794 (5)	-	65152U (4)
DRE5077	Midland-Barrier	69794 (5)	-	65152U (4)
DRE5081	Midland-Barrier	69799	70799 (6)	65156U
DRE5082	Midland-Barrier	69792	-	-
DRE5082	Midland-Barrier	69797	-	65184U
DRE5083	Midland-Barrier	69788	70788	65071U
DRE5084	Midland-Barrier	-	-	-
DRE5085	Midland-Barrier	69796	70796	65270U
DRE5086	Midland-Barrier	69780	-	-
DRE5087	Midland-Barrier	69750	-	-
DRE5088	Midland-Barrier	69787	-	-
DRE5089	Midland-Barrier	69788	70788	65071U
DRE5090	Midland-Barrier	69789	70789	65283U
DRE5093	Midland-Barrier	69705	-	65275U
DRE61RK	Midland-Barrier	69799	70799 (6)	65156U
DRE62RK	Midland-Barrier	69795	-	-
DRE63RK	Midland-Barrier	69798	70798	65165U
DRE70RK	Midland-Barrier	69794 (5)	-	65152U (4)
DRE71RK	Midland-Barrier	69797	-	65184U
DRE72RK	Midland-Barrier	69791	70791	65172U
DRE74RK	Midland-Barrier	69794 (5)	-	65152U (4)
DRE81RK	Midland-Barrier	69799	70799 (6)	65156U
DRE82RK	Midland-Barrier	69792	-	-

- (1) FOR BORE DIAMETERS OVER 5.284 USE 70561 KIT
- (2) REPLACES 70597
- (3) 65294U SEAL MUST BE USED WITH 67038 BEARING SPACER

- (4) REMOVAL OF OEM SEAL SPACER IS REQUIRED PRIOR TO INSTALLATION
- (5) FOR BEARING BORE INSTALLTION
- (6) WILL NOT FIT ABS EQUIPPED AXLES



MASTER SEAL INTERCHANGE

PART NUMBER	MANUFACTURER	STANDARD SERVICE KIT	SEVERE SERVICE KIT	UNITIZED SEAL
DRE82RK	Midland-Barrier	69797	-	65184U
DRE85RK	Midland-Barrier	69796	70796	65270U
DRE86RK	Midland-Barrier	69780	-	-
DRE87RK	Midland-Barrier	69750	-	-
DRE90RK	Midland-Barrier	69789	70789	65283U
DRE93RK	Midland-Barrier	69705	-	65275U
E1HT1175AA	Ford	69799	70799 (6)	65156U
E1HT1175BA	Ford	69799	70799 (6)	65156U
E1HZ1175A	Ford	69799	70799 (6)	65156U
E1HZ1175B	Ford	69799	70799 (6)	65156U
E2910BJ6	National	69699	-	65263U
E2983BJ	National	69699	-	65263U
E2HT1190AA	Ford	69699	-	65263U
E2HT1190BA	Ford	69697	-	65092U
E2HZ1177A	Ford	69799	70799 (6)	65156U
E3HZ1190B	Ford	69699	-	65263U
E3HZ1190C	Ford	69697	-	65092U
E4HT1175AA	Ford	69799	70799 (6)	65156U
E4HT1175B	Ford	69590	-	-
E4HZ1175A	Ford	69730	-	-
E4HZ1175B	Ford	69799	70799 (6)	65156U
E5HT1175CA	Ford	69794 (5)	-	65152U (4)
E5HT1175DA	Ford	69783	-	-
E5HT1175GA	Ford	69799	70799 (6)	65156U
E5HZ1177B	Ford	69785	-	65111U
E5TW1177B	Ford	69785	-	65111U
E5TW1177BA	Ford	69785	-	65111U
E5TZ1177B	Ford	69785	-	65111U
E6HT1175AA	Ford	69794 (5)	-	65152U (4)
E6HZ1175AA	Ford	69794 (5)	-	65152U (4)
E6HZ1175C	Ford	69794 (5)	-	65152U (4)
E6HZ1175E	Ford	69794 (5)	-	65152U (4)
E7HT1175A	Ford	69785	-	65111U
E7HT1175AA	Ford	69785	-	65111U
E7HT1190AA	Ford	69699	-	65263U
E7HZ1175A	Ford	69785	-	65111U
E7HZ1190A	Ford	69699	-	65263U
E8HS1190AA	Ford	69636	-	-
E8HT1190BA	Ford	69697	-	65092U
E8TA1175AA	Ford	69785	-	65111U
E8TW1177AA	Ford	69785	-	65111U
E8TW1177BA	Ford	69785	-	65111U
E8TZ1175A	Ford	69611	-	65116U
E8TZ1177B	Ford	69785	-	65111U
E9020610	Lufkin	69750	-	-
EAL	International	69696	-	65078U
ENG7866S	National	69690	-	-
EP46841	Victor	69596	70596	65262U
EP468411	Victor	69594	-	-
EP468413	Victor	69698	-	-
EP46842	Victor		70561 (2)	65261U
EP468421	Victor		70561 (2)	65261U
EP468422	Victor		70561 (2)	65261U
EP468423	Victor		70561 (2)	65261U

PART NUMBER	MANUFACTURER	STANDARD SERVICE KIT	SEVERE SERVICE KIT	UNITIZED SEAL
EP468424	Victor		70561 (2)	65261U
EP46845	Victor		-	-
EP46847	Victor	69599	-	65298U
EP46848	Victor	69521	-	-
EP46849	Victor	69522	-	-
EP468817	Victor	69622	-	-
EP468817	Victor	69624	-	-
EP47794	Victor	69789	70789	65283U
EP47798	Victor	69604	-	-
EP47799	Victor	69622	-	-
EP47799	Victor	69624	-	-
EP48617	Victor	69693	-	65291U
EP49598	Victor	69604	-	-
EP49866	Victor	69625	-	-
EP49884	Victor	69628	-	65294U
EP64225	Victor	69590	-	-
EP64225	Victor	69688	-	-
EP642251	Victor	69590	-	-
EP642251	Victor	69688	-	-
EP642252	Victor	69590	-	-
EP642252	Victor	69688	-	-
EP642253	Victor	69590	-	-
EP642253	Victor	69688	-	-
EP64227	Victor	69622	-	-
EP64227	Victor	69624	-	-
EP642271	Victor	69622	-	-
EP642271	Victor	69624	-	-
EP642272	Victor	69590	-	-
EP642272	Victor	69688	-	-
EP642273	Victor	69623	-	-
EP64229	Victor	69590	-	-
EP64229	Victor	69688	-	-
EP64232	Victor	69518	-	-
EP64234	Victor	69711	-	-
EP642342	Victor	69711	-	-
EP642343	Victor	69711	-	-
EP64236	Victor	69598	70598	65060U
EP64238	Victor	69513	-	-
EP642382	Victor	69783	-	-
EP64402	Victor	69796	70796	65270U
EP64404	Victor	69791	70791	65172U
EP64408	Victor	69711	-	-
EP644081	Victor	69628	-	65294U
EP644082	Victor	69794 (5)	-	65152U (4)
EP64410	Victor	69522	-	-
EP64410	Victor	-	-	-
EP644101	Victor	69799	70799 (6)	65156U
EP644102	Victor	69799	70799 (6)	65156U
EP644103	Victor	69799	70799 (6)	65156U
EP64412	Victor	69699	-	65263U
EP644121	Victor	69689	-	-

- (1) FOR BORE DIAMETERS OVER 5.284 USE 70561 KIT
- (2) REPLACES 70597
- (3) 65294U SEAL MUST BE USED WITH 67038 BEARING SPACER

- (4) REMOVAL OF OEM SEAL SPACER IS REQUIRED PRIOR TO INSTALLATION
- (5) FOR BEARING BORE INSTALLTION
- (6) WILL NOT FIT ABS EQUIPPED AXLES

MASTER SEAL INTERCHANGE

PART NUMBER	MANU-FACTURER	STANDARD SERVICE KIT	SEVERE SERVICE KIT	UNITIZED SEAL
EP64414	Victor	69699	-	65263U
EP644141	Victor	69699	-	65263U
EP64415	Victor	69692	-	65000U
EP644151	Victor	69691	-	-
EP64435	Victor	69798	70798	65165U
EP64437	Victor	69780	-	-
EP64439	Victor	69705	-	65275U
EP64441	Victor	69794 (5)	-	65152U (4)
EP64443	Victor	69795	-	-
EP64468	Victor	69690	-	-
ER1220	Victor	69783	-	-
EX183554	International	69611	-	65116U
FOHT1190A	Ford	69699	-	65263U
FOTW1177AA	Ford	69785	-	65111U
FA10RK	Midland-Barrier	69693	-	65291U
FA11RK	Midland-Barrier	69691	-	-
FA12RK	Midland-Barrier	69690	-	-
FA12RKZU	Midland-Barrier	69690	-	-
FA12RKZZ	Midland-Barrier	69690	-	-
FA14RK	Midland-Barrier	69699	-	65263U
FA15RK	Midland-Barrier	69604	-	-
FA15RKBB	Midland-Barrier	69604	-	-
FA15RKCC	Midland-Barrier	69604	-	-
FA17RKBYU	Midland-Barrier	69604	-	-
FA17RKYY	Midland-Barrier	69604	-	-
FA1801	Midland-Barrier	69699	-	65263U
FA1802	Midland-Barrier	69699	-	65263U
FA1803	Midland-Barrier	69590	-	-
FA1804	Midland-Barrier	69590	-	-
FA1805	Midland-Barrier	69590	-	-
FA1806	Midland-Barrier	69590	-	-
FA1807	Midland-Barrier	69620	-	-
FA1808	Midland-Barrier	69620	-	-
FA1809	Midland-Barrier	69620	-	-
FA1810	Midland-Barrier	69693	-	65291U
FA1811	Midland-Barrier	69691	-	-
FA1812	Midland-Barrier	69690	-	-
FA1813	Midland-Barrier	69690	-	-
FA1814	Midland-Barrier	69699	-	65263U
FA1815	Midland-Barrier	69604	-	-
FA1816	Midland-Barrier	69688	-	-
FA1817	Midland-Barrier	69604	-	-
FA1818	Midland-Barrier	69622	-	-
FA1819	Midland-Barrier	69623	-	-
FA1820	Midland-Barrier	69623	-	-
FA1821	Midland-Barrier	69623	-	-
FA1822	Midland-Barrier	69623	-	-
FA1823	Midland-Barrier	69689	-	-
FA1824	Midland-Barrier	69628	-	65294U
FA1825	Midland-Barrier	69611	-	65116U
FA1826	Midland-Barrier	69607	-	-
FA18RK	Midland-Barrier	69622	-	-
FA19RKBY	Midland-Barrier	69623	-	-
FA19RKYY	Midland-Barrier	69623	-	-

PART NUMBER	MANU-FACTURER	STANDARD SERVICE KIT	SEVERE SERVICE KIT	UNITIZED SEAL
FA1RK	Midland-Barrier	69699	-	65263U
FA20RK	Midland-Barrier	69625	-	-
FA20RKBY	Midland-Barrier	69623	-	-
FA23RK	Midland-Barrier	69689	-	-
FA24RK	Midland-Barrier	69628	-	65294U
FA25RK	Midland-Barrier	69611	-	65116U
FA25RKW	Midland-Barrier	69611	-	65116U
FA26RK	Midland-Barrier	69607	-	-
FA2RK	Midland-Barrier	69699	-	65263U
FA3RK	Midland-Barrier	69590	-	-
FA7RK	Midland-Barrier	69620	-	-
FAE10RK	Midland-Barrier	69611	-	65116U
FAE10RKW	Midland-Barrier	69611	-	65116U
FAE10RKY	Midland-Barrier	69611	-	65116U
FAE10RKZY	Midland-Barrier	69611	-	65116U
FAE12RK	Midland-Barrier	69620	-	-
FAE13RK	Midland-Barrier	69690	-	-
FAE14RK	Midland-Barrier	69692	-	65000U
FAE15RK	Midland-Barrier	69612	-	-
FAE15RKEE	Midland-Barrier	69612	-	-
FAE16RK	Midland-Barrier	69622	-	-
FAE17RK	Midland-Barrier	69689	-	-
FAE18RK	Midland-Barrier	69604	-	-
FAE18RKBB	Midland-Barrier	69604	-	-
FAE18RKCC	Midland-Barrier	69604	-	-
FAE19RK	Midland-Barrier	69628	-	65294U
FAE1RK	Midland-Barrier	69692	-	65000U
FAE1RKZW	Midland-Barrier	69692	-	65000U
FAE20RKQB	Midland-Barrier	69635	-	-
FAE21RKQB	Midland-Barrier	69635	-	-
FAE23RK	Midland-Barrier	69625	-	-
FAE25RK	Midland-Barrier	69612	-	-
FAE2RK	Midland-Barrier	69692	-	65000U
FAE2RKZW	Midland-Barrier	69692	-	65000U
FAE3RK	Midland-Barrier	69699	-	65263U
FAE4RK	Midland-Barrier	69699	-	65263U
FAE5001	Midland-Barrier	69692	-	65000U
FAE5002	Midland-Barrier	69692	-	65000U
FAE5003	Midland-Barrier	69699	-	65263U
FAE5004	Midland-Barrier	69699	-	65263U
FAE5005	Midland-Barrier	69699	-	65263U
FAE5006	Midland-Barrier	69697	-	65092U
FAE5008	Midland-Barrier	69690	-	-
FAE5009	Midland-Barrier	69693	-	65291U
FAE5010	Midland-Barrier	69611	-	65116U
FAE5012	Midland-Barrier	69620	-	-
FAE5013	Midland-Barrier	69690	-	-
FAE5014	Midland-Barrier	69692	-	65000U
FAE5015	Midland-Barrier	69612	-	-
FAE5016	Midland-Barrier	69622	-	-
FAE5017	Midland-Barrier	69689	-	-
FAE5018	Midland-Barrier	69604	-	-
FAE5019	Midland-Barrier	69628	-	65294U
FAE5021	Midland-Barrier	69635	-	-

- (1) FOR BORE DIAMETERS OVER 5.284 USE 70561 KIT
- (2) REPLACES 70597
- (3) 65294U SEAL MUST BE USED WITH 67038 BEARING SPACER

- (4) REMOVAL OF OEM SEAL SPACER IS REQUIRED PRIOR TO INSTALLATION
- (5) FOR BEARING BORE INSTALLTION
- (6) WILL NOT FIT ABS EQUIPPED AXLES



MASTER SEAL INTERCHANGE

PART NUMBER	MANU-FACTURER	STANDARD SERVICE KIT	SEVERE SERVICE KIT	UNITIZED SEAL
FAE5023	Midland-Barrier	69625	-	-
FAE5025	Midland-Barrier	69612	-	-
FAE5RK	Midland-Barrier	69699	-	65263U
FAE6RKD	Midland-Barrier	69697	-	65092U
FAE6RKP	Midland-Barrier	69697	-	65092U
FAE8RK	Midland-Barrier	69690	-	-
FAE8RKZU	Midland-Barrier	69690	-	-
FAE8RKZZ	Midland-Barrier	69690	-	-
FAE9RK	Midland-Barrier	69693	-	65291U
KW+A931119088	Kenworth	69795	-	-
M10HH101	Dana / Spicer		70561 (2)	65261U
M10HH102	Dana / Spicer	69598	70598	65060U
M10HH103	Dana / Spicer	69591	-	-
M10HH107X	Dana / Spicer	69598	70598	65060U
M10HH114	Dana / Spicer		70561 (2)	65261U
M10HH119	Dana / Spicer	69512	-	-
M10HH125	Dana / Spicer	69541	70541	-
M10HH137	Dana / Spicer	69598	70598	65060U
M10HH142	Dana / Spicer	69598	70598	65060U
M10HH143	Dana / Spicer		70561 (2)	65261U
M53408	White	69697	-	65092U
M553408	White	69697	-	65092U
M553778	White	69697	-	65092U
M560804	White	69624	-	-
M563986	White	69706	-	-
MCG010714	Fruehauf	69598	70598	65060U
NPV6953X8	Fruehauf	69596	70596	65262U
OM56734SP01	Fruehauf	69596	70596	65262U
PRF43860	International	69792	-	-
PRF43860	International	69797	-	65184U
QH1175	Ford	69794 (5)	-	65152U (4)
R1516	Midland-Barrier	69794 (5)	-	65152U (4)
R15RK	Midland-Barrier	69797	-	65184U
R15RKH	Midland-Barrier	69598	70598	65060U
RM14633	Heil	69750	-	-
RM146A33	Heil	69750	-	-
S5611TA	Oshkosh		-	-
SP106	Fruehauf	69598	70598	65060U
SS46829	Victor	-	-	-
SS468411	Dana	69594	-	-
SS468412	Dana	69517	-	-
SS468413	Dana	69698	-	-
SS468414	Dana	69596	70596	65262U
SS468421	Dana		-	-
SS468424	Dana	69161	-	-
SS468424	NAPA	69161	-	-

PART NUMBER	MANU-FACTURER	STANDARD SERVICE KIT	SEVERE SERVICE KIT	UNITIZED SEAL
SS468424	Victor	69161	-	-
SS46847	Dana	69599	-	-
SS46847	NAPA	69599	-	65298U
SS46847	Victor	69599	-	65298U
SS46848	Dana	69541	-	-
SS468481	Dana	69538	-	-
SS468482	Dana	69524	-	-
SS468483	Dana	69523	-	-
SS46849	Dana	69522	-	-
SS47878	Dana	69781	-	-
SS47883	Dana	69705	-	-
SS47885	Dana	69611	-	65116U
SS47887	Dana	69693	-	65291U
SS47889	Dana	69797	-	65184U
SS47890	Dana	69757	-	-
SS47891	Dana	69791	-	-
SS47891	NAPA	69791	70791	65172U
SS47891	Victor	69791	70791	65172U
SS47893	Dana	69645	-	-
SS64225	Dana	69589	-	-
SS64227	Dana	69622	-	-
SS642272	Dana	69507	-	-
SS642273	Dana	69623	-	-
SS64231	Dana	69591	-	-
SS642311	Dana	69587	-	-
SS64234	NAPA	69711	-	-
SS64234	Victor	69711	-	-
SS642341	Dana	69635	-	-
SS642343	Dana	69711	-	-
SS64236	Dana	69598	-	-
SS64238	Dana	69513	-	-
SS642381	Dana	69516	-	-
SS642382	Dana	69783	-	-
SS642383	Dana	69782	-	-
SS64240	Dana	69502	-	-
SS642401	Dana	69512	-	-
SS642402	Dana	69514	-	-
SS642403	Dana	69640	-	-
SS64412	Dana	69590	-	-
SS644121	Dana	69689	-	-
SS644123	Dana	69688	-	-
SS64414	Dana	69699	-	-
SS64415	Dana	69692	-	65000U
SS644151	Dana	69691	-	-
SS64437	Dana	69780	-	-
SS644372	Dana	69779	-	-
SS64443	Dana	69795	-	-
SS64462	Dana	69691	-	-
SS64464	Dana	69603	-	-
SS64468	Dana	69690	-	-
SS64471	Dana	69604	-	-
SS64482	Dana	69607	-	-
SS64487	Dana	69612	-	-

- (1) FOR BORE DIAMETERS OVER 5.284 USE 70561 KIT
- (2) REPLACES 70597
- (3) 65294U SEAL MUST BE USED WITH 67038 BEARING SPACER

- (4) REMOVAL OF OEM SEAL SPACER IS REQUIRED PRIOR TO INSTALLATION
- (5) FOR BEARING BORE INSTALLTION
- (6) WILL NOT FIT ABS EQUIPPED AXLES

MASTER SEAL INTERCHANGE

PART NUMBER	MANU-FACTURER	STANDARD SERVICE KIT	SEVERE SERVICE KIT	UNITIZED SEAL
SS64495	Dana	69616	-	-
SS644951	Dana	69628	-	-
SS64511	Dana	69625	-	-
SS64517	Dana	69697	-	-
SS64517	NAPA	69697	-	65092U
SS64517	Victor	69697	-	65092U
SS64530	Dana	69636	-	-
SS64534	Dana	69695	-	-
SS64539	Dana	69696	-	-
SS64542	Dana	69793	-	-
SS64546	Dana	69789	-	-
SS64546	NAPA	69789	70789	65283U
SS64553	Dana	69792	-	-
SS64558	Dana	69785	-	-
SS645581	Dana	69786	-	65111U
SS64561	Dana	69730	-	-
SS64564	Dana	69730	-	-
SS64567	Dana	69788	-	-
SS64571	Dana	69750	-	-
SS64582	Dana	69751	-	-
SS645821	Dana	69753	-	-
SS64584	Dana	69794 (5)	-	-
SS64584	Dana	69794 (5)	-	65152U (4)
SS64589	Dana	69787	-	-
SS64589	NAPA	69787	-	-
SS64589	Victor	69787	-	-
SS64603	Dana	69756	-	-
SS68001	Dana	-	70561 (2)	-
SS68002	Dana	-	70596	-
SS68003	Dana	-	70598	-
SS68004	Dana	-	70798	-
SS680041	Dana	-	70789	-
SS68005	Dana	-	70541	-
SS68006	Dana	-	70799 (6)	-
SS68008	Dana	-	70791	-
SS68009	Dana	-	70788	-
SS68010	Dana	-	70796	-
SUYS4752C	National	69598	70598	65060U
TAJAA1175A	Ford	69791	70791	65172U
TAJAA1175A1	Ford	69791	70791	65172U
TAJAA1175A3	Ford	69791	70791	65172U
TAJAA1175B	Ford	69791	70791	65172U
TAKAA1175A	Ford	69783	-	-
TAKAA1175B	Ford	69783	-	-
TAKAA1190A	Ford	69711	-	-
TDAA1175A	Ford	69730	-	-
TDAA1175A1	Ford	69730	-	-
TDAA1175A3	Ford	69730	-	-
TDAA1175B	Ford	69730	-	-
TDAA1175C	Ford	69730	-	-
TEAN1175B	Ford	69785	-	65111U
TEAN1175C	Ford	69785	-	65111U
TEAN1175D	Ford	69785	-	65111U

PART NUMBER	MANU-FACTURER	STANDARD SERVICE KIT	SEVERE SERVICE KIT	UNITIZED SEAL
TGAA1190A	Ford	69612	-	-
TR1001	Midland-Barrier	69517	-	-
TR1003	Midland-Barrier	69594	-	-
TR1004	Midland-Barrier	69596	70596	65262U
TR1005	Midland-Barrier	69596	70596	65262U
TR1006	Midland-Barrier	69589	-	-
TR1007	Midland-Barrier		70561 (2)	65261U
TR1008	Midland-Barrier	69541	70541	-
TR1009	Midland-Barrier	69599	-	65298U
TR1010	Midland-Barrier	69796	70796	65270U
TR1011	Midland-Barrier	69590	-	-
TR1012	Midland-Barrier	69590	-	-
TR1013	Midland-Barrier	69590	-	-
TR1014	Midland-Barrier	69590	-	-
TR1015	Midland-Barrier	69598	70598	65060U
TR1016	Midland-Barrier	69598	70598	65060U
TR1017	Midland-Barrier	69598	70598	65060U
TR1018	Midland-Barrier	69598	70598	65060U
TR1019	Midland-Barrier		-	-
TR1020	Midland-Barrier		70561 (2)	65261U
TR1021	Midland-Barrier		70561 (2)	65261U
TR1022	Midland-Barrier		70561 (2)	65261U
TR1023	Midland-Barrier		70561 (2)	65261U
TR1024	Midland-Barrier		70561 (2)	65261U
TR1025	Midland-Barrier		70561 (2)	65261U
TR10RK	Midland-Barrier	69591	-	-
TR11RK	Midland-Barrier	69590	-	-
TR11RKB	Midland-Barrier	69590	-	-
TR11RKC	Midland-Barrier	69590	-	-
TR11RKF	Midland-Barrier	69590	-	-
TR11RKL	Midland-Barrier	69590	-	-
TR11RKM	Midland-Barrier	69590	-	-
TR11RKN	Midland-Barrier	69590	-	-
TR11RKW	Midland-Barrier	69590	-	-
TR11RKZ	Midland-Barrier	69590	-	-
TR15RK	Midland-Barrier	69598	70598	65060U
TR15RKD	Midland-Barrier	69598	70598	65060U
TR1RK	Midland-Barrier	69517	-	-
TR3RK	Midland-Barrier	69594	-	-
TR4RK	Midland-Barrier	69520	70596	65262U
TR4RKB	Midland-Barrier	69520	70596	65262U
TR5049	Midland-Barrier	69599	-	65298U
TR5RK	Midland-Barrier	69520	70596	65262U
TR5RKFN	Midland-Barrier	69520	70596	65262U
TR6RK	Midland-Barrier	69589	-	-
TR6RKB	Midland-Barrier	69590	-	-
TR6RKC	Midland-Barrier	69590	-	-
TR6RKF	Midland-Barrier	69590	-	-
TR6RKL	Midland-Barrier	69590	-	-
TR6RKM	Midland-Barrier	69590	-	-
TR6RKN	Midland-Barrier	69590	-	-
TR6RKW	Midland-Barrier	69590	-	-
TR6RKZ	Midland-Barrier	69590	-	-
TR7RK	Midland-Barrier		70561 (2)	65261U

- (1) FOR BORE DIAMETERS OVER 5.284 USE 70561 KIT
- (2) REPLACES 70597
- (3) 65294U SEAL MUST BE USED WITH 67038 BEARING SPACER

- (4) REMOVAL OF OEM SEAL SPACER IS REQUIRED PRIOR TO INSTALLATION
- (5) FOR BEARING BORE INSTALLTION
- (6) WILL NOT FIT ABS EQUIPPED AXLES



MASTER SEAL INTERCHANGE

PART NUMBER	MANU-FACTURER	STANDARD SERVICE KIT	SEVERE SERVICE KIT	UNITIZED SEAL
TR8RK	Midland-Barrier	69523	-	-
TR8RKF	Midland-Barrier	69541	70541	-
TR8RKQ1	Midland-Barrier	69541	70541	-
TR8RKQ1	Midland-Barrier	69541	70541	-
TR8RKR	Midland-Barrier	69541	70541	-
TR9RK	Midland-Barrier	69599	-	65298U
TR9RKD	Midland-Barrier	69599	-	65298U
TR9RKE1	Midland-Barrier	69599	-	65298U
TR9RKF	Midland-Barrier	69599	-	65298U
TR9RKG	Midland-Barrier	69599	-	65298U
TR9RKH	Midland-Barrier	69599	-	65298U
TR9RKP	Midland-Barrier	69599	-	65298U
TRE45RK	Midland-Barrier	69520	70596	65262U
TRE45RKB	Midland-Barrier	69520	70596	65262U
TRE45RKFN	Midland-Barrier	69520	70596	65262U
TRE47RK	Midland-Barrier		70561 (2)	65261U
TRE49RK	Midland-Barrier	69599	-	65298U
TRE49RKD	Midland-Barrier	69599	-	65298U
TRE49RKE1	Midland-Barrier	69599	-	65298U
TRE49RKF	Midland-Barrier	69599	-	65298U
TRE49RKG	Midland-Barrier	69599	-	65298U
TRE49RKH	Midland-Barrier	69599	-	65298U
TRE49RKP	Midland-Barrier	69599	-	65298U
TRE5045	Midland-Barrier	69520	70596	65262U
TRE5047	Midland-Barrier		70561 (2)	65261U
TRE5049	Midland-Barrier	69599	-	65298U
TRE5051	Midland-Barrier	69590	-	-
TRE5055	Midland-Barrier	69598	70598	65060U
TRE5056	Midland-Barrier	69523	-	-
TRE51RK	Midland-Barrier	69590	-	-
TRE55RK	Midland-Barrier	69598	70598	65060U
TRE55RKD	Midland-Barrier	69598	70598	65060U
TRE55RKH	Midland-Barrier	69598	70598	65060U
TRE56RK	Midland-Barrier	69523	-	-
TUAA1175A	Ford	69792	-	-
TUAA1175A	Ford	69797	-	65184U
TUAA1190	Ford	69699	-	65263U
TUAA1190A	Ford	69699	-	65263U
TUAY1190A	Ford	69699	-	65263U
TWC32051	Fruehauf	69598	70598	65060U
UNL30035	Fruehauf	69520	70596	65262U
VS13770	GMC	69598	70598	65060U
XNA67391	Fruehauf		70561 (2)	65261U
Y698028	White	69706	-	-
Y698028	White	69794 (5)	-	65152U (4)
Y714702	White		70561 (2)	65261U
Y717754	White		70561 (2)	65261U
YCH0083X4	Fruehauf	69520	70596	65262U
YEC000160	Fruehauf	69598	70598	65060U
YHC025616	Fruehauf	69596	70596	65262U
YJE009371	Fruehauf	69596	70596	65262U

- (1) FOR BORE DIAMETERS OVER 5.284 USE 70561 KIT
- (2) REPLACES 70597
- (3) 65294U SEAL MUST BE USED WITH 67038 BEARING SPACER
- (4) REMOVAL OF OEM SEAL SPACER IS REQUIRED PRIOR TO INSTALLATION
- (5) FOR BEARING BORE INSTALLTION
- (6) WILL NOT FIT ABS EQUIPPED AXLES

NOTES



INSTALLATION TOOLS

SD Seal Drive Plates are made from tool-grade steel and are precision cut to match the MVP seal body in the exact area designed for installation load bearing. Standard package, 1 each.

BG Bearing Guides are made of a tough engineered plastic for dimensional stability and long life. Standard package, 1 each.

DP For use with two-piece seals, Axle Sleeve Driver Plates are precision cut from tool grade steel and allow for damage-free installations of wear sleeves on axle shoulders. Standard package, 1 each.



H Drive Handles are made from tool-grade steel and have a no-slip, knurled handgrip area for better tool control. The robust design allows for years of service. Standard package, 1 each.



See description below.

AD Designed for use with DP Axle Sleeve Drive Plates, MVP Axle Drivers are robust designed for reliability in the field. The welded steel assembly with its convenient handle helps to prevent hand injuries. Standard package, 1 each.

MVP installation tools for installing oil bath seals are designed and manufactured with the installer in mind. To maximize installation ease, safety and longevity, our tool kits are engineered to meet the specific installation requirements for each seal design.

MVPs precision-designed Seal Drivers are the most robust, user-friendly tools available in the industry. The Bearing Guide and Seal Driver Plate ensure accurate installation of the seal into the bore, virtually eliminating its misalignment in the seal bore.

Order the seal part number with a "T" preceding it for the proper kit. Consult the application guide for exact applications. Components are available for mix and match of individual elements for inventory flexibility. Consult with your MVP representative or Triseal customer service for inventory recommendations.

The Insta-Tool® is an all-new, patented seal driver designed for single use. It offers installers with occasional needs, an inexpensive—yet effective alternative to professional grade installation tools. Insta-tool assures proper installation by directing installation force to the area on the seal designed for withstanding these loads. Limited to certain applications, in seal kit form or individually packaged.

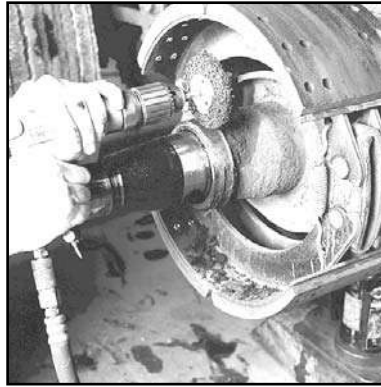
With up to 90% of all oil bath seal failures, regardless of brand, due to improper installation, we recommend using only required manufacturer-application-specific installation tools to validate the seal's warranty.

See the reverse side for step-by-step installation procedures.

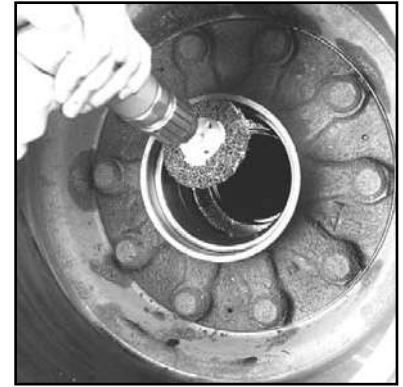
INSTALLING HUB SEALS



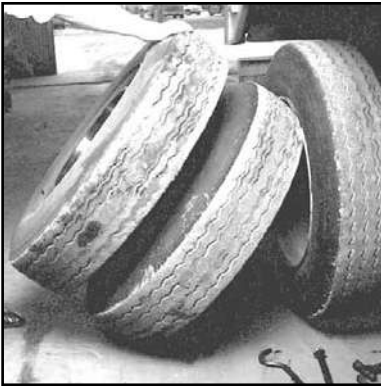
Step 1: Gather the required parts and tools: Oil Bath Seal, Seal Installation Tool(s), hubcap or axle flange gasket, axle nut sockets, torque wrench, dial indicator and wheel dolly.



Step 2: Remove all rust, scale and old sealant from the axle shoulder. Use a file to remove sharp edges from the axle shoulder. Clean axle bearing journals; inspect for excessive wear. Clean spindle threads with a wire brush.



Step 3: Drain old lubricant from the hub cavity. Thoroughly clean and inspect the hub bore. Remove all rust and scale paying special attention to the seal chamfer. Remove any burrs from this area.

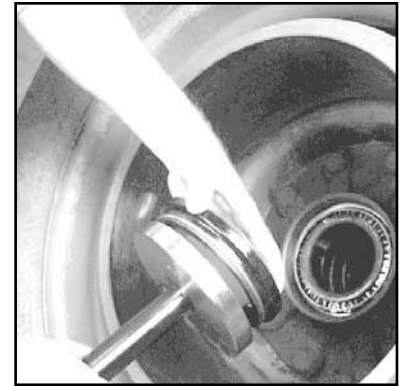


Step 4: Lean the wheel assembly at a 45 degree angle, or place it flat on the floor.

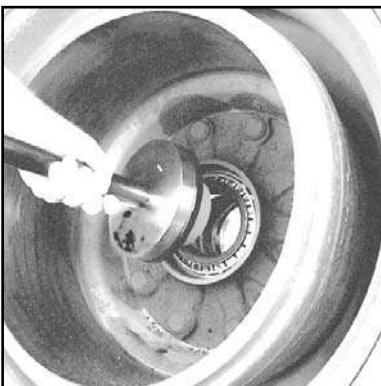


For installing the two-piece seal axle sleeves, see steps 13 to 16.

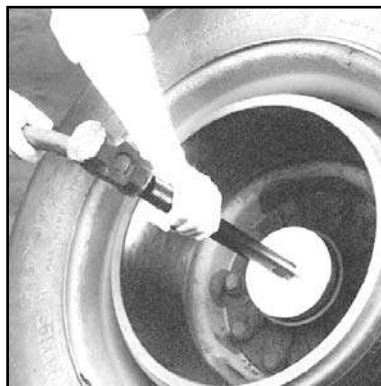
Step 5: Clean the wheel bearings in solvent; dry with compressed air (DO NOT spin bearings with compressed air). Check for excessive wear or damage. Always replace damaged bearings in complete sets. Lubricate inner bearing, then place it in the bearing cup.



Step 6: Insert the hub seal into the correct hub tool.



Step 7: Align the tool by placing the bearing guide into the inner bearing race.



Step 8: Using a 3 to 5 lb. hammer, drive seal into the bore until the sound of impact changes and the tool rebounds.



Step 9: Lubricate the seal I.D. with the same lubricant to be used in the hub.

INSTALLING HUB SEALS



For installing drive axles, see tips section below.

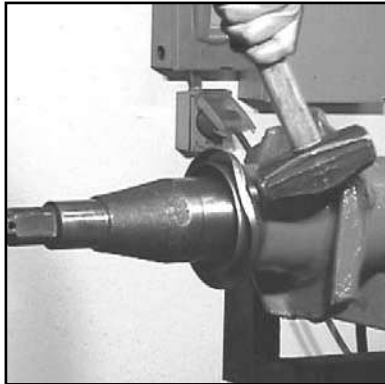
Step 10: Using a wheel dolly, align the hub assembly with the spindle. Carefully push hub forward until the seal I.D. passes the spindle threads. Fill hub cavity with fresh lubricant; proceed to fully install the assembly.



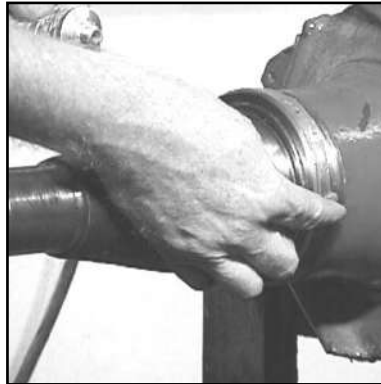
Step 11: Lubricate the outer bearing cone; place it in the cup. Install the adjusting nut and tighten prior to removing the dolly.



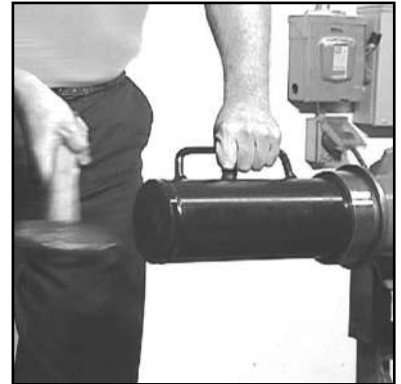
Step 12: Using a torque wrench, adjust the wheel bearings to the vehicle manufacturer's or TMC specifications. Verify the final endplay with a dial indicator.



Step 13: Remove the existing axle sleeve by striking the backside of the flange with a hammer. With a flat axle sleeve, strike the sleeve with the round end of a ball peen hammer until it expands; remove.



Step 14: Place a thin film of non-hardening RTV sealant on the AXLE SHOULDER **ONLY**.



Step 15: Using the axle sleeve driver and the correct drive plate, drive the axle sleeve onto the shoulder until the tool rebounds.



Step 16: Make sure the sleeve is fully installed and flush with the shoulder to within .005 inch. Remove any excess RTV sealant. Return to step 6 for hub seal installation instructions.

TIPS

Do not use sealants on the seal O.D.

Always pre-lubricate with the same lube to be used in the hub.

If using grease to lubricate the wheel bearings on non-driven axles, see vehicle manufacturer or TMC recommendations.

On Trailer Axles: Do not exceed the oil level line on the hubcap window.

On Drive Axles: Raise one wheel end approximately 8 inches for 30 seconds and repeat for the other side. Remove the axle fill plug, and add lubricant as needed. Remove the axle breather, clean in solvent. Dry with compressed air, and reinstall.

INSTALLATION TOOLS

BY SEAL NUMBER

KIT NUMBER	SEAL NUMBER	SLEEVE NUMBER	TOOL KIT NUMBER	SEAL TYPE	BEARING NUMBER	BEARING I.D.	TOOL COMPONENTS	SLEEVE TOOL
-	65000U	-	T65000U	UNITIZED	H715345	2.812	H SD15 BG252	
-	65000U	-	T65000UA	UNITIZED	641, HM212049	2.625	H SD15 BG240	
69691	65000WA	63009	T65000W	2-PC	6386A	2.812	H SD39 BG252	AD - DP252
69692	65000W	63093	T65000W	2-PC	641, HM212049	2.625	H SD39 BG240	AD - DP240
69692	65000W	63093	T65000WA	2-PC	H715345	2.812	H SD39 BG252	AD - DP252
69607	65002	63049	T65002	2-PC	623	2.250	H SD33 BG216	AD - DP216
69603	65005	63052	T65005	2-PC	45284 , 45285	2.000	H SD30 BG200	AD - DP200
69785	65011W*	63062	T65011W	2-PC	33281	2.812	H SD32 BG252	AD - DP252
69786	65011W*	63063	T65011W	2-PC	33281	2.812	H SD32 BG252	AD - DP252
69785	65011W*	63062	T65011WA	2-PC	33287	2.875	H SD32 BG256	AD - DP256
69611	65016*	63017	T65016	2-PC	39581	2.250	H SD29 BG216	AD - DP216
69732	65016*	63075	T65016A	2-PC	3984	2.625	H SD29 BG240	AD - DP240
69730	65018*	63064	T65018	2-PC	3984	2.625	H SD28 BG240	AD - DP240
69731	65019*	63074	T65019	2-PC	3984	2.625	H SD30 BG240	
-	65024U	-	T65024U	UNITIZED	598, 598A	3.625	H SD 5 BG340	
-	65024U	-	T65024UA	UNITIZED	47686, 47685	3.250	H SD 5 BG316	
69743	65027	O.E.M.	T65027	2-PC	47686	3.250	H SD36 BG316	
69743	65027	O.E.M.	T65027A	2-PC	495AX	3.000	H SD36 BG300	
69743	65027	O.E.M.	T65027B	2-PC	33287	2.875	H SD36 BG256	
69743	65027	O.E.M.	T65027C	2-PC	33281	2.812	H SD36 BG252	
-	65027U	O.E.M.	T65027U	UNITIZED	47686	3.250	H SD 9 BG316	
-	65027U	O.E.M.	T65027UA	UNITIZED	495AX	3.000	H SD 9 BG300	
-	65027U	O.E.M.	T65027UB	UNITIZED	33287	2.875	H SD 9 BG256	
-	65027U	O.E.M.	T65027UC	UNITIZED	33281	2.812	H SD 9 BG252	
69522	65028	63021	T65028	2-PC	594A	3.750	H SD41 BG348	AD - DP348
69522	65028	63021	T65028A	2-PC	598A	3.625	H SD41 BG340	AD - DP340
-	65030U	-	T65030U	UNITIZED	687, 780	4.000	H SD21 BG400	
69781	65030W	67067	T65030W	2-PC	687, 780	4.000	H SD42 BG400	AD - DP400
69781	65030W	67067	T65030W	2-PC	687, 780	4.000	H SD42 BG400	AD - DP400
69750	65044	63007	T65044	2-PC	663, HM516449	3.250	H SD43 BG316	AD - DP316
69794	65052W*	63091	T65052W	2-PC	47685 / 47686	3.250	H SD34 BG316	AD - DP316
69794	65052W*	63091	T65052WA	2-PC	47678	3.000	H SD34 BG300	AD - DP300
69683	65053	63092	T65053	2-PC	3778	1.875	H SD25 -	-
-	65054U	-	T65054U	UNITIZED	495AX	3.000	H SD44 BG300	
69787	65054W	63018	T65054W	2-PC	495AX	3.000	H SD44 BG300	AD - DP300
69695	65055W	63008	T65055W	2-PC	45284	2.000	H SD25 BG200	AD - DP200
69756	65056W	67090	T65056W	2-PC	594, 594A	3.750	H SD45 BG348	AD - DP348
69799	65056W	67094	T65056W	2-PC	594, 594A	3.750	H SD45 BG348	AD - DP348
70799	65056W	68094	T65056W	2-PC	594, 594A	3.750	H SD45 BG348	AD - DP348
69756	65056W	67090	T65056WA	2-PC	598, 598A	3.625	H SD45 BG340	AD - DP340
69799	65056W	67094	T65056WA	2-PC	598, 598A	3.625	H SD45 BG340	AD - DP340
70799	65056W	68094	T65056WA	2-PC	598, 598A	3.625	H SD45 BG340	AD - DP340
-	65060U	-	T65060U	UNITIZED	HM218248	3.542	H SD19 BG335A	
69598	65060W	67048	T65060W	2-PC	HM218248	3.542	H SD19 BG335A	AD - DP335A
70598	65060W	68048	T65060W	2-PC	HM218248	3.542	H SD19 BG335A	AD - DP335A
70561	65061ES	68061	T65061ES	2-PC	663	3.250	H SD48 BG316	AD - DP316
69757	65065W*	67090	T65065W	2-PC	594, 594A	3.750	H SD40 BG348	AD - DP348
69798	65065W*	67094	T65065W	2-PC	594, 594A	3.750	H SD40 BG348	AD - DP348
70798	65065W*	68094	T65065W	2-PC	594, 594A	3.750	H SD40 BG348	AD - DP348
69757	65065W*	67090	T65065WA	2-PC	598, 598A	3.625	H SD40 BG340	AD - DP340
69798	65065W*	67094	T65065WA	2-PC	598, 598A	3.625	H SD40 BG340	AD - DP340
70798	65065W*	68094	T65065WA	2-PC	598, 598A	3.625	H SD40 BG340	AD - DP340
69636	65069*	67036	T65069	2-PC	39581	2.250	H SD32 BG216	AD - DP216
69753	65070*	63028	T65070	2-PC	581	3.250	H SD43 BG316	AD - DP316
69751	65070*	63054	T65070A	2-PC	663	3.375	H SD43 BG324	AD - DP324
-	65071U	-	T65071U	UNITIZED	663, HM516449	3.250	H SD10 BG316	
69791	65072W*	67093	T65072W	2-PC	594, 594A	3.750	H SD39 BG348	AD - DP348
70791	65072W*	68093	T65072W	2-PC	594, 594A	3.750	H SD39 BG348	AD - DP348

* Seal designed for installation in the bearing bore.

INSTALLATION TOOLS

BY SEAL NUMBER (Continued)

KIT NUMBER	SEAL NUMBER	SLEEVE NUMBER	TOOL KIT NUMBER	SEAL TYPE	BEARING NUMBER	BEARING I.D.	TOOL COMPONENTS			SLEEVE TOOL
69587	65073W	67014	T65073W	2-PC	42687	3.000	H	SD32	BG300	AD - DP300
69589	65073W	63010	T65073W	2-PC	42687	3.000	H	SD32	BG300	AD - DP300
69589	65073W	63010	T65073WA	2-PC	567	2.875	H	SD32	BG256	AD - DP256
69590	65073W	67036	T65073WA	2-PC	567	2.875	H	SD32	BG256	AD - DP256
69688	65073W	63063	T65073WA	2-PC	567	2.875	H	SD32	BG256	AD - DP256
69591	65073W	63047	T65073WB	2-PC	560S	2.687	H	SD32	BG244	AD - DP244
69686	65073W	67034	T65073WC	2-PC	HM212047	2.500	H	SD32	BG232	AD - DP232
69689	65073W	63051	T65073WC	2-PC	559, 3982	2.500	H	SD32	BG232	AD - DP232
69590	65073W	67036	T65073WD	2-PC	557A, HM212044	2.375	H	SD32	BG224	AD - -
69539	65074W	63064	T65074W	2-PC	JM511946	2.562	H	SD29	BG236	AD - DP236
69642	65075W	67036	T65075W	2-PC	45284	2.000	H	SD32	BG200	AD - DP200
69642	65075W	67036	T65075WA	2-PC	39581	2.250	H	SD32	BG216	AD - DP216
69644	65076W*	63051	T65076W	2-PC	39585	2.500	H	SD32	BG232	AD - DP232
-	65078U	-	T65078U	UNITIZED	H715345	2.812	H	SD16	BG252	
69696	65078W	63093	T65078W	2-PC	H715345	2.812	H	SD78	BG252	AD - DP252
69797	65084W*	63026	T65084W	2-PC	595	3.250	H	SD38	BG316	AD - DP316
69797	65084W*	63026	T65084WA	2-PC	598	3.625	H	SD38	BG340	AD - DP340
69645	65091	63008	T65091	2-PC	JM205149	2.160	H	SD25	-	
-	65092U	-	T65092U	UNITIZED	6461A	3.000	H	SD12	BG300	
69697	65092W	63037	T65092W	2-PC	6461A	3.000	H	SD47	BG300	AD - DP300
-	65111U	-	T65111U	UNITIZED	33287	2.875	H	SD 2	BG256	
-	65111U	-	T65111UA	UNITIZED	33281	2.812	H	SD 2	BG252	
-	65116U	-	T65116U	UNITIZED	3984	2.625	H	SD 1	BG240	
-	65116U	-	T65116UA	UNITIZED	39581	2.250	H	SD 1	BG216	
-	65152U	-	T65152U	UNITIZED	594A	3.750	H	SD 6	BG348	
-	65152U	-	T65152UA	UNITIZED	598	3.625	H	SD 6	BG340	
-	65152U	-	T65152UB	UNITIZED	582, 595, 47686	3.250	H	SD 6	BG316	
-	65152U	-	T65152UC	UNITIZED	5760, 47678, 47687	3.000	H	SD 6	BG300	
-	65156U	-	T65156U	UNITIZED	594, 594A	3.750	H	SD56	BG348	
-	65156U	-	T65156UA	UNITIZED	598, 598A	3.625	H	SD56	BG340	
-	65165U	-	T65165U	UNITIZED	594, 594A	3.750	H	SD23	BG348	
-	65165U	-	T65165UA	UNITIZED	598, 598A	3.625	H	SD23	BG340	
69788	65171W	63088	T65171W	2-PC	663, HM516449	3.250	H	SD37	BG316	AD - DP316
70788	65171W	68088	T65171W	2-PC	663, HM516449	3.250	H	SD37	BG316	AD - DP316
-	65172U	-	T65172U	UNITIZED	594	3.750	H	SD17	BG348	
-	65172U	-	T65172UA	UNITIZED	598, 598A	3.625	H	SD17	BG340	
-	65172U	-	T65172UB	UNITIZED	595	3.250	H	SD17	BG316	
-	65172U	-	T65172UC	UNITIZED	3720 3782	2.375	H	SD17	BG224	
-	65184U	-	T65184U	UNITIZED	598	3.625	H	SD13	BG340	
-	65184U	-	T65184UA	UNITIZED	595	3.250	H	SD13	BG316	
-	65261U	-	T65261U	UNITIZED	663	3.250	H	SD 8	BG316	
69161	65061	63161	T65061	2-PC	663	3.250	H	SD48	BG316	AD - DP316
70561	65061	68061	T65061	2-PC	663	3.250	H	SD48	BG316	AD - DP316
-	65262U	-	T65262U	UNITIZED	593, HM518445	3.500	H	SD262	BG332	
69520	65262W	63023	T65262W	2-PC	593, HM518445	3.500	H	SD49	BG332	AD - DP332
69594	65262W	63022	T65262W	2-PC	593, HM518445	3.500	H	SD49	BG332	AD - DP332
69596	65262W	67023	T65262W	2-PC	HM518445	3.500	H	SD49	BG332	AD - DP332
70596	65262W	68023	T65262W	2-PC	593, HM518445	3.500	H	SD49	BG332	AD - DP332
69698	65262W	63041	T65262WA	2-PC	5760, 6461	3.000	H	SD49	BG300	AD - DP300
69517	65262W	63003	T65262WB	2-PC	5752	2.875	H	SD49	BG256	AD - DP256
-	65263U	-	T65263U	UNITIZED	HM212049	2.625	H	SD 3	BG240	
-	65263U	-	T65263UA	UNITIZED	HM212047	2.500	H	SD 3	BG232	
-	65263U	-	T65263UB	UNITIZED	557A, HM212044	2.375	H	SD 3	BG224	
-	65263U	-	T65263UC	UNITIZED	39581	2.250	H	SD 3	BG216	
69699	65263W	67036	T65263W	2-PC	HM212049	2.625	H	SD31	BG240	AD - DP240
69699	65263W	67036	T65263WA	2-PC	HM212047	2.500	H	SD31	BG232	AD - DP232
69699	65263W	67036	T65263WB	2-PC	557A, HM212044	2.375	H	SD31	BG224	AD - DP224
69699	65263W	67036	T65263WC	2-PC	39581	2.250	H	SD31	BG216	AD - DP216

* Seal designed for installation in the bearing bore.



INSTALLATION TOOLS

BY SEAL NUMBER (Continued)

KIT NUMBER	SEAL NUMBER	SLEEVE NUMBER	TOOL KIT NUMBER	SEAL TYPE	BEARING NUMBER	BEARING I.D.	TOOL COMPONENTS	SLEEVE TOOL
69711	65267W	63018	T65267W	2-PC	495AX	3.000	H SD44 BG300	AD - BG300
69620	65267W	63029	T65267WA	2-PC	6386, 6389	2.625	H SD44 BG240	
69635	65267W	63059	T65267WB	2-PC	6379	2.562	H SD44 BG236	AD - DP236
69713	65268	63021	T65268	2-PC	598A	3.625	H SD41 BG340	AD - BG340
69783	65269W	63095	T65269W	2-PC	758	3.375	H SD41 BG324	AD - DP324
69516	65269W	63045	T65269WA	2-PC	760	3.562	H SD41 BG336	AD - DP336
69782	65269W	67009	T65269WA	2-PC	760	3.562	H SD41 BG336	AD - DP336
69783	65269W	63095	T65269WA	2-PC	760	3.562	H SD41 BG336	AD - DP336
69513	65269W	63021	T65269WB	2-PC	52401	4.000	H SD41 BG400	AD - DP400
-	65270U	-	T65270U	UNITIZED	580, 582	3.250	H SD18 BG316	
69538	65271W	63080	T65271W	2-PC	663, 749A	3.250	H SD49 BG316	AD - DP316
69523	65271W	63005	T65271WA	2-PC	749, 749S	3.347	H SD49 BG322A	AD - DP322A
69524	65271W	63006	T65271WA	2-PC	749, 749S	3.347	H SD49 BG322A	AD - DP322A
69541	65271W	67023	T65271WA	2-PC	749, 749S	3.347	H SD49 BG322A	AD - DP322A
70541	65271W	68023	T65271WA	2-PC	749, 749S	3.347	H SD49 BG322A	AD - DP322A
69702	65272W	63093	T65272W	2-PC	580, 582	3.250	H SD39 BG316	AD - DP316
69796	65272W	67093	T65272W	2-PC	580, 582	3.250	H SD39 BG316	AD - DP316
70796	65272W	68092	T65272W	2-PC	580, 582	3.250	H SD39 BG316	AD - DP316
69705	65275	63012	T65275	2-PC	42688	3.000	H SD35 BG300	AD - DP300
-	65275U	-	T65275U	UNITIZED	42688	3.000	H SD 7 BG300	
69706	65276	63012	T65276	2-PC	5760, 47687	3.000	H SD35 BG300	AD - DP300
69706	65276	63012	T65276A	2-PC	47686	3.250	H SD35 BG316	AD - DP316
69795	65277W	63014	T65277W	2-PC	582, 663A	3.250	H SD37 BG316	AD - DP316
69612	65280	63008	T65280	2-PC	45284	2.000	H SD25 BG200	AD - DP200
69612	65280	63008	T65280A	2-PC	28995	2.470	H SD25 -	
69614	65282	63020	T65282	2-PC	555S	2.250	H SD26 BG216	
-	65283U	-	T65283U	UNITIZED	683	3.750	H SD24 BG348	
-	65283U	-	T65283UA	UNITIZED	681A	3.625	H SD24 BG340	
69789	65283W	67094	T65283W	2-PC	683	3.750	H SD46 BG348	AD - DP348
70789	65283W	68094	T65283W	2-PC	683	3.750	H SD46 BG348	AD - DP348
69789	65283W	67094	T65283WA	2-PC	681A	3.625	H SD46 BG340	AD - DP340
70789	65283W	68094	T65283WA	2-PC	681A	3.625	H SD46 BG340	AD - DP340
69792	65285W	63026	T65285W	2-PC	598	3.625	H SD38 BG340	AD - DP340
69690	65287W	63028	T65287W	2-PC	756A	3.125	H SD41 BG308	AD - DP308
69784	65287W	63083	T65287WA	2-PC	760	3.562	H SD41 BG336	AD - DP336
69507	65289	67036	T65289	2-PC	39250	2.500	H SD31 BG232	AD - DP232
69623	65289	63033	T65289A	2-PC	5595	2.593	H SD31 BG238	
69622	65289	63032	T65289B	2-PC	HM212049	2.625	H SD31 BG240	
-	65291U	-	T65291U	UNITIZED	HM212047	2.500	H SD 4 BG232	
69693	65291W	63034	T65291W	2-PC	HM212047	2.500	H SD33 BG232	AD - DP232
69625	65292	63035	T65292	2-PC	559, HM212046	2.500	H SD26 BG232	AD - DP232
69604	65293	63050	T65293	2-PC	39578, 4595	2.125	H SD26 -	
-	65294U	67038	T65294U	UNITIZED	641, HM212049	2.625	H SD 7 BG240	
69628	65294W*	63038	T65294W	2-PC	641, HM212049	2.625	H SD35 BG240	AD - DP240
69616	65294W*	63011	T65294WA	2-PC	639	2.500	H SD35 BG232	AD - DP232
69779	65297W	63079	T65297W	2-PC	598, 598A	3.625	H SD41 BG340	AD - DP340
69780	65297W	63028	T65297W	2-PC	598, 598A	3.625	H SD41 BG340	AD - DP340
-	65298U	-	T65298U	UNITIZED	665A	3.375	H SD14 BG324	
69599	65298W	63037	T65298W	2-PC	665A	3.375	H SD38 BG324	AD - BG324
70599	65298W	68037	T65298W	2-PC	665A	3.375	H SD38 BG324	AD - DP324
69502	65299	63054	T65299	2-PC	759	3.500	H SD41 BG332	AD - DP332
69512	65299	63043	T65299	2-PC	759	3.500	H SD41 BG332	AD - DP332
69514	65299	63044	T65299A	2-PC	759	3.500	H SD41 BG332	AD - DP332
69640	65299	63028	T65299A	2-PC	756A	3.125	H SD41 BG308	AD - DP308
-	65356U	-	T65356U	UNITIZED	594, 594A	3.750	H SD20 BG348	
-	65356U	-	T65356UA	UNITIZED	598, 598A	3.625	H SD20 BG340	

* Seal designed for installation in the bearing bore.

INSTALLATION TOOLS

BY KIT NUMBER

KIT NUMBER	SEAL NUMBER	SLEEVE NUMBER	SEAL TOOL ASSEMBLY NO.	TYPE	BEARING NUMBER	BEARING I.D.	SEAL DRIVER COMPONENTS	SLEEVE DRIVER COMPONENTS
	65000U	-	T65000U	UNITIZED	H715345	2.812	H SD15 BG252	NOT REQUIRED
	65000U	-	T65000UA	UNITIZED	641 / HM212049	2.625	H SD15 BG240	NOT REQUIRED
	65024U	-	T65024U	UNITIZED	598 / 598A	3.625	H SD 5 BG340	NOT REQUIRED
	65024U	-	T65024UA	UNITIZED	47686 / 47685	3.250	H SD 5 BG316	NOT REQUIRED
	65027U	O.E.M.	T65027U	UNITIZED	47686	3.250	H SD 9 BG316	NOT REQUIRED
	65027U	O.E.M.	T65027UA	UNITIZED	495AX	3.000	H SD 9 BG300	NOT REQUIRED
	65027U	O.E.M.	T65027UB	UNITIZED	33287	2.875	H SD 9 BG256	NOT REQUIRED
	65027U	O.E.M.	T65027UC	UNITIZED	33281	2.812	H SD 9 BG252	NOT REQUIRED
	65030U	-	T65030U	UNITIZED	687 / 780	4.000	H SD21 BG400	NOT REQUIRED
	65054U	-	T65054U	UNITIZED	495AX	3.000	- - -	NOT REQUIRED
	65060U	-	T65060U	UNITIZED	HM218248	3.542	H SD19 BG335A	NOT REQUIRED
	65071U	-	T65071U	UNITIZED	663 / HM516449	3.250	H SD10 BG316	NOT REQUIRED
	65078U	-	T65078U	UNITIZED	H715345	2.812	H SD16 BG252	NOT REQUIRED
	65092U	-	T65092U	UNITIZED	6461A	3.000	H SD12 BG300	NOT REQUIRED
	65111U	-	T65111U	UNITIZED	33287	2.875	H SD 2 BG256	NOT REQUIRED
	65111U	-	T65111UA	UNITIZED	33281	2.812	H SD 2 BG252	NOT REQUIRED
	65116U	-	T65116U	UNITIZED	3984	2.625	H SD 1 BG240	NOT REQUIRED
	65116U	-	T65116UA	UNITIZED	39581	2.250	H SD 1 BG216	NOT REQUIRED
	65152U	-	T65152U	UNITIZED	594A	3.750	H SD 6 BG348	NOT REQUIRED
	65152U	-	T65152UA	UNITIZED	598	3.625	H SD 6 BG340	NOT REQUIRED
	65152U	-	T65152UB	UNITIZED	582 / 595 / 47686	3.250	H SD 6 BG316	NOT REQUIRED
	65152U	-	T65152UC	UNITIZED	5760 / 47678 / 47687	3.000	H SD 6 BG300	NOT REQUIRED
	65156U	-	T65156U	UNITIZED	594 / 594A	3.750	H SD56 BG348	NOT REQUIRED
	65156U	-	T65156UA	UNITIZED	598 / 598A	3.625	H SD56 BG340	NOT REQUIRED
	65165U	-	T65165U	UNITIZED	594 / 594A	3.750	H SD23 BG348	NOT REQUIRED
	65165U	-	T65165UA	UNITIZED	598 / 598A	3.625	H SD23 BG340	NOT REQUIRED
	65172U	-	T65172U	UNITIZED	594	3.750	H SD17 BG348	NOT REQUIRED
	65172U	-	T65172UA	UNITIZED	598 / 598A	3.625	H SD17 BG340	NOT REQUIRED
	65172U	-	T65172UB	UNITIZED	595	3.250	H SD17 BG316	NOT REQUIRED
	65172U	-	T65172UC	UNITIZED	3720 3782	2.375	H SD17 BG224	NOT REQUIRED
	65184U	-	T65184U	UNITIZED	598	3.625	H SD13 BG340	NOT REQUIRED
	65184U	-	T65184UA	UNITIZED	595	3.250	H SD13 BG316	NOT REQUIRED
	65261U	-	T65261U	UNITIZED	663	3.250	H SD 8 BG316	NOT REQUIRED
	65262U	-	T65262U	UNITIZED	593 / HM518445	3.500	H SD262 BG332	NOT REQUIRED
	65263U	-	T65263U	UNITIZED	HM212049	2.625	H SD 3 BG240	NOT REQUIRED
	65263U	-	T65263UA	UNITIZED	HM212047	2.500	H SD 3 BG232	NOT REQUIRED
	65263U	-	T65263UB	UNITIZED	557A / HM212044	2.375	H SD 3 BG224	NOT REQUIRED
	65263U	-	T65263UC	UNITIZED	39581	2.250	H SD 3 BG216	NOT REQUIRED
	65270U	-	T65270U	UNITIZED	580 / 582	3.250	H SD18 BG316	NOT REQUIRED
	65275U	-	T65275U	UNITIZED	42688	3.000	H SD 7 BG300	NOT REQUIRED
	65283U	-	T65283U	UNITIZED	683	3.750	H SD24 BG348	NOT REQUIRED
	65283U	-	T65283UA	UNITIZED	681A	3.625	H SD24 BG340	NOT REQUIRED
	65291U	-	T65291U	UNITIZED	HM212047	2.500	H SD 4 BG232	NOT REQUIRED
	65294U	67038	T65294U	UNITIZED	641 / HM212049	2.625	H SD 7 BG240	NOT REQUIRED
	65298U	-	T65298U	UNITIZED	665A	3.375	H SD14 BG324	NOT REQUIRED
	65356U	-	T65356U	UNITIZED	594 / 594A	3.750	H SD20 BG348	NOT REQUIRED
	65356U	-	T65356UA	UNITIZED	598 / 598A	3.625	H SD20 BG340	NOT REQUIRED
69161	65061	63161	T65261W	2 PC	663	3.250	H SD48 BG316	AD - DP316
69502	65299	63054	T65299	2 PC	759	3.500	H SD41 BG332	AD - DP332
69507	65289	67036	T65289	2 PC	39250	2.500	H SD31 BG232	AD - DP232
69512	65299	63043	T65299	2 PC	759	3.500	H SD41 BG332	AD - DP332
69513	65269W	63021	T65269WB	2 PC	52401	4.000	H SD41 BG400	AD - DP400
69514	65299	63044	T65299A	2 PC	759	3.500	H SD41 BG332	AD - DP332
69516	65269W	63045	T65269WA	2 PC	760	3.562	H SD41 BG336	AD - DP336
69517	65262W	63003	T65262WB	2 PC	5752	2.875	H SD49 BG256	AD - DP256
69520	65262W	63023	T65262W	2 PC	593 / HM518445	3.500	H SD49 BG332	AD - DP332
69522	65028	63021	T65028	2 PC	594A	3.750	H SD41 BG348	AD - DP348
69522	65028	63021	T65028A	2 PC	598A	3.625	H SD41 BG340	AD - DP340

* Seal designed for installation in the bearing bore.

INSTALLATION TOOLS

BY KIT NUMBER (Continued)

KIT NUMBER	SEAL NUMBER	SLEEVE NUMBER	SEAL TOOL ASSEMBLY NO.	TYPE	BEARING NUMBER	BEARING I.D.	SEAL DRIVER COMPONENTS	SLEEVE DRIVER COMPONENTS
69523	65271W	63005	T65271WA	2 PC	749 / 749S	3.347	H SD49 BG322A	AD - DP322A
69524	65271W	63006	T65271WA	2 PC	749 / 749S	3.347	H SD49 BG322A	AD - DP322A
69538	65271W	63080	T65271W	2 PC	663 / 749A	3.250	H SD49 BG316	AD - DP316
69539	65074W	63064	T65074W	2 PC	JM511946	2.562	H SD29 BG236	AD - DP236
69541	65271W	67023	T65271WA	2 PC	749 / 749S	3.347	H SD49 BG322A	AD - DP322A
69587	65073W	67014	T65073W	2 PC	42687	3.000	H SD32 BG300	AD - DP300
69589	65073W	63010	T65073W	2 PC	42687	3.000	H SD32 BG300	AD - DP300
69589	65073W	63010	T65073WA	2 PC	567	2.875	H SD32 BG256	AD - DP256
69590	65073W	67036	T65073WA	2 PC	567	2.875	H SD32 BG256	AD - DP256
69590	65073W	67036	T65073WD	2 PC	557A / HM212044	2.375	H SD32 BG224	AD - DP224
69591	65073W	63047	T65073WB	2 PC	560S	2.687	H SD32 BG244	AD - DP244
69594	65262W	63022	T65262W	2 PC	593 / HM518445	3.500	H SD49 BG332	AD - DP332
69596	65262W	67023	T65262W	2 PC	HM518445	3.500	H SD49 BG332	AD - DP332
69598	65060W	67048	T65060W	2 PC	HM218248	3.542	H SD19 BG335A	AD - DP335A
69599	65298W	63037	T65298W	2 PC	665A	3.375	H SD38 BG324	AD - BG324
69603	65005	63052	T65005	2 PC	45284 / 45285	2.000	H SD30 BG200	AD - DP200
69604	65293	63050	T65293	2 PC	39578 / 4595	2.125	H SD26 -	NOT REQUIRED
69607	65002	63049	T65002	2 PC	623	2.250	H SD33 BG216	AD - DP216
69611	65016*	63017	T65016	2 PC	39581	2.250	H SD29 BG216	AD - DP216
69612	65280	63008	T65280	2 PC	45284	2.000	H SD25 BG200	AD - DP200
69612	65280	63008	T65280A	2 PC	28995	2.470	H SD25 -	NOT AVAILABLE
69614	65282	63020	T65282	2 PC	555S	2.250	H SD26 BG216	NOT AVAILABLE
69616	65294W*	63011	T65294WA	2 PC	639	2.500	H SD35 BG232	AD - DP232
69620	65267W	63029	T65267WA	2 PC	6386 / 6389	2.625	H SD44 BG240	NOT REQUIRED
69622	65289	63032	T65289B	2 PC	HM212049	2.625	H SD31 BG240	NOT REQUIRED
69623	65289	63033	T65289A	2 PC	5595	2.593	H SD31 BG238	NOT REQUIRED
69625	65292	63035	T65292	2 PC	559 / HM212046	2.500	H SD26 BG232	AD - DP232
69628	65294W*	63038	T65294W	2 PC	641 / HM212049	2.625	H SD35 BG240	AD - DP240
69635	65267W	63059	T65267WB	2 PC	6379	2.562	H SD44 BG236	AD - DP236
69636	65069*	67036	T65069	2 PC	39581	2.250	H SD32 BG216	AD - DP216
69640	65299	63028	T65299A	2 PC	756A	3.125	H SD41 BG308	AD - DP308
69642	65075W	67036	T65075W	2 PC	45284	2.000	H SD32 BG200	AD - DP200
69642	65075W	67036	T65075WA	2 PC	39581	2.250	H SD32 BG216	AD - DP216
69644	65076W*	63051	T65076W	2 PC	39585	2.500	H SD32 BG232	AD - DP232
69645	65091	63008	T65091	2 PC	JM205149	2.160	H SD25 -	NOT AVAILABLE
69683	65053	63092	T65053	2 PC	3778	1.875	H SD25 -	NOT AVAILABLE
69686	65073W	67034	T65073WC	2 PC	HM212047	2.500	H SD32 BG232	AD - DP232
69688	65073W	63063	T65073WA	2 PC	567	2.875	H SD32 BG256	AD - DP256
69689	65073W	63051	T65073WC	2 PC	559 / 3982	2.500	H SD32 BG232	AD - DP232
69690	65287W	63028	T65287W	2 PC	756A	3.125	H SD41 BG308	AD - DP308
69691	65000W	63009	T65000W	2 PC	6386A	2.812	H SD39 BG252	AD - DP252
69692	65000W	63093	T65000W	2 PC	641 / HM212049	2.625	H SD39 BG240	AD - DP240
69692	65000W	63093	T65000WA	2 PC	H715345	2.812	H SD39 BG252	AD - DP252
69693	65291W	63034	T65291W	2 PC	HM212047	2.500	H SD33 BG232	AD - DP232
69695	65055W	63008	T65055W	2 PC	45284	2.000	H SD25 BG200	AD - DP200
69696	65078W	63093	T65078W	2 PC	H715345	2.812	H SD78 BG252	AD - DP252
69697	65092W	63037	T65092W	2 PC	6461A	3.000	H SD47 BG300	AD - DP300
69698	65262W	63041	T65262WA	2 PC	5760 / 6461	3.000	H SD49 BG300	AD - DP300
69699	65263W	67036	T65263W	2 PC	HM212049	2.625	H SD31 BG240	AD - DP240
69699	65263W	67036	T65263WA	2 PC	HM212047	2.500	H SD31 BG232	AD - DP232
69699	65263W	67036	T65263WB	2 PC	557A / HM212044	2.375	H SD31 BG224	AD - DP224
69699	65263W	67036	T65263WC	2 PC	39581	2.250	H SD31 BG216	AD - DP216
69702	65272W	63093	T65272W	2 PC	580 / 582	3.250	H SD39 BG316	AD - DP316
69705	65275	63012	T65275	2 PC	42688	3.000	H SD35 BG300	AD - DP300
69706	65276	63012	T65276	2 PC	5760 / 47687	3.000	H SD35 BG300	AD - DP300
69706	65276	63012	T65276A	2 PC	47686	3.250	H SD35 BG316	AD - DP316
69711	65267W	63018	T65267W	2 PC	495AX	3.000	H SD44 BG300	AD - BG300
69713	65268	63021	T65268	2 PC	598A	3.625	H SD41 BG340	AD - BG340
69730	65018	63064	T65018	2 PC	3984	2.625	H SD28 BG240	AD - DP240

* Seal designed for installation in the bearing bore.

INSTALLATION TOOLS

BY KIT NUMBER (Continued)

KIT NUMBER	SEAL NUMBER	SLEEVE NUMBER	SEAL TOOL ASSEMBLY NO.	TYPE	BEARING NUMBER	BEARING I.D.	SEAL DRIVER COMPONENTS	SLEEVE DRIVER COMPONENTS
69731	65019	63074	T65019	2 PC	3984	2.625	H SD30 BG240	NOT REQUIRED
69732	65016*	63075	T65016A	2 PC	3984	2.625	H SD29 BG240	AD - DP240
69743	65027	O.E.M.	T65027	2 PC	47686	3.250	H SD36 BG316	NOT REQUIRED
69743	65027	O.E.M.	T65027A	2 PC	495AX	3.000	H SD36 BG300	NOT REQUIRED
69743	65027	O.E.M.	T65027B	2 PC	33287	2.875	H SD36 BG256	NOT REQUIRED
69743	65027	O.E.M.	T65027C	2 PC	33281	2.812	H SD36 BG252	NOT REQUIRED
69750	65044	63007	T65044	2 PC	663 / HM516449	3.250	H SD43 BG316	AD - DP316
69751	65070*	63054	T65070A	2 PC	663	3.375	H SD43 BG324	AD - DP324
69753	65070*	63028	T65070	2 PC	581	3.250	H SD43 BG316	AD - DP316
69756	65056W	67090	T65056W	2 PC	594 / 594A	3.750	H SD45 BG348	AD - DP348
69756	65056W	67090	T65056WA	2 PC	598 / 598A	3.625	H SD45 BG340	AD - DP340
69757	65065W*	67090	T65065W	2 PC	594 / 594A	3.750	H SD40 BG348	AD - DP348
69757	65065W*	67090	T65065WA	2 PC	598 / 598A	3.625	H SD40 BG340	AD - DP340
69779	65297W	63079	T65297W	2 PC	598 / 598A	3.625	H SD41 BG340	AD - DP340
69780	65297W	63028	T65297W	2 PC	598 / 598A	3.625	H SD41 BG340	AD - DP340
69781	65030W	67067	T65030W	2 PC	687 / 780	4.000	H SD42 BG400	AD - DP400
69781	65030W	67067	T65030W	2 PC	687 / 780	4.000	H SD42 BG400	AD - DP400
69782	65269W	67009	T65269WA	2 PC	760	3.562	H SD41 BG336	AD - DP336
69783	65269W	63095	T65269W	2 PC	758	3.375	H SD41 BG324	AD - DP324
69783	65269W	63095	T65269WA	2 PC	760	3.562	H SD41 BG336	AD - DP336
69784	65287W	63083	T65287WA	2 PC	760	3.562	H SD41 BG336	AD - DP336
69785	65011W*	63062	T65011W	2 PC	33281	2.812	H SD32 BG252	AD - DP252
69785	65011W*	63062	T65011WA	2 PC	33287	2.875	H SD32 BG256	AD - DP256
69786	65011W*	63063	T65011W	2 PC	33281	2.812	H SD32 BG252	AD - DP252
69787	65054W	63018	T65054W	2 PC	495AX	3.000	H SD44 BG300	AD - DP300
69788	65171W	63088	T65171W	2 PC	663 / HM516449	3.250	H SD37 BG316	AD - DP316
69789	65283W	67094	T65283W	2 PC	683	3.750	H SD46 BG348	AD - DP348
69789	65283W	67094	T65283WA	2 PC	681A	3.625	H SD46 BG340	AD - DP340
69791	65072W*	67093	T65072W	2 PC	594 / 594A	3.750	H SD39 BG348	AD - DP348
69792	65285W	63026	T65285W	2 PC	598	3.625	H SD38 BG340	AD - DP340
69794	65052W*	63091	T65052W	2 PC	47685 / 47686	3.250	H SD34 BG316	AD - DP316
69794	65052W*	63091	T65052WA	2 PC	47678	3.000	H SD34 BG300	AD - DP300
69795	65277W	63014	T65277W	2 PC	582 / 663A	3.250	H SD37 BG316	AD - DP316
69796	65272W	67093	T65272W	2 PC	580 / 582	3.250	H SD39 BG316	AD - DP316
69797	65084W*	63026	T65084W	2 PC	595	3.250	H SD38 BG316	AD - DP316
69797	65084W*	63026	T65084WA	2 PC	598	3.625	H SD38 BG340	AD - DP340
69798	65065W*	67094	T65065W	2 PC	594 / 594A	3.750	H SD40 BG348	AD - DP348
69798	65065W*	67094	T65065WA	2 PC	598 / 598A	3.625	H SD40 BG340	AD - DP340
69799	65056W	67094	T65056W	2 PC	594 / 594A	3.750	H SD45 BG348	AD - DP348
69799	65056W	67094	T65056WA	2 PC	598 / 598A	3.625	H SD45 BG340	AD - DP340
70541	65271W	68023	T65271WA	2 PC	749 / 749S	3.347	H SD49 BG322A	AD - DP322A
70561	65061	68061	T65061	2 PC	663	3.250	H SD48 BG316	AD - DP316
70596	65262W	68023	T65262W	2 PC	593 / HM518445	3.500	H SD49 BG332	AD - DP332
70598	65060W	68048	T65060W	2 PC	HM218248	3.542	H SD19 BG335A	AD - DP335A
70599	65298W	68037	T65298W	2 PC	665A	3.375	H SD38 BG324	AD - DP324
70788	65171W	68088	T65171W	2 PC	663 / HM516449	3.250	H SD37 BG316	AD - DP316
70789	65283W	68094	T65283W	2 PC	683	3.750	H SD46 BG348	AD - DP348
70789	65283W	68094	T65283WA	2 PC	681A	3.625	H SD46 BG340	AD - DP340
70791	65072W*	68093	T65072W	2 PC	594 / 594A	3.750	H SD39 BG348	AD - DP348
70796	65272W	68092	T65272W	2 PC	580 / 582	3.250	H SD39 BG316	AD - DP316
70798	65065W*	68094	T65065W	2 PC	594 / 594A	3.750	H SD40 BG348	AD - DP348
70798	65065W*	68094	T65065WA	2 PC	598 / 598A	3.625	H SD40 BG340	AD - DP340
70799	65056W	68094	T65056W	2 PC	594 / 594A	3.750	H SD45 BG348	AD - DP348
70799	65056W	68094	T65056WA	2 PC	598 / 598A	3.625	H SD45 BG340	AD - DP340

* Seal designed for installation in the bearing bore.

SEVERE SERVICE SEALS INTERCHANGE

TRISEAL MVP 2-PIECE			STEMCO GRITGUARD		CR		NATIONAL		EATON	
STANDARD SERVICE	SEVERE SERVICE	SEAL ONLY	SET	SEAL ONLY	SCOTSEAL	SCOTSEAL PLUS	STANDARD	FIVE STAR	OUT-RUNNER	EATON
Trailer Axle Seals			Trailer Axle Seals			Trailer Axle Seals				
69541	70541	65271W	372-7024	320-2173	42624		370107A			
69541	70541	65271W	372-7091	320-2173						
69590		65073W	372-7006				370002A			
69520	70596	65262W					376590A			
69520	70596	65262W	372-7099	320-2023	42623	42622	370065A	380065A	302	851
	70561	75061W	372-7098	320-2109	40136	40133	370036A	380036A	301	850
69598	70598	65060W	372-7043	320-2110						
69598	70598	65060W	372-7097	320-2110	46305	46304	370025A	380025A	303	859
69599		65298W	372-7095	320-2118	43752	43753	370037A			853
Front Axle Seals			Front Axle Seals			Front Axle Seals				
69611		65016	382-8017	320-2017	32470		370018A	380018A		
69628		65294W	382-8039	320-2039						
69690		65278W	382-8028	320-2028	48794		370007A			
69692		65000W	382-8053	320-2181	44922	44919	370124A			855
69693		65291W	382-8034	320-2034						
69695		65055W	382-8044	320-2105	28832		370054A			
69696		65078W	382-8056	320-2199	45103	45102	370131A	380131A		857
69697		65092W	382-8064	320-2137	43764	43763	370048A	380048A		863
69698		65262W	382-8060	320-2023	43800		370020A			
69699		65263W	382-8036	320-2036	35066	35059	370001A	380001A	305	847
Drive Axle Seals			Drive Axle Seals			Drive Axle Seals				
69705		65275	392-9010	320-2010	38709		370033A			
69706		65276	392-9099	320-2102	38780	38779	370023A	380023A	306	849
69743		65027	392-9045	320-2091	41550		370106A			
69780		65297W	392-9019	320-2009	48792		370057A			
69781		65030W	392-9089	320-2097	52658		370069A			
69782		65269W	392-9062	320-2001	48884		370121A			
69785		65011W	392-9035	320-2057	34387	34386	370047A	380047A		
69787		65054W	392-9057	320-2104	39425		370009A			
69788	70788	65171W	392-9112	320-2213	42672	42671	370031A	380031A		852
69789	70789	65283W	392-9087	320-2162	47699		370006A			
69791	70791	65072W	392-9088	320-2113	45160	45158	370021A		307	858
69792		65285W	392-9092	320-2131			370019A			854
69795		65277W	392-9095	320-2117	42800		370030A			
69796	70796	65272W	392-9094	320-2129	45099	45097	370022A			856
69797		65084W	392-9096	320-2057	43861	43860	370019A			854
69798	70798	65065W	392-9132	320-2132	48000	48001	370005A		308	860
69799	70799	65056W	392-9131	320-2106	47697	47695	370003A		304	861