



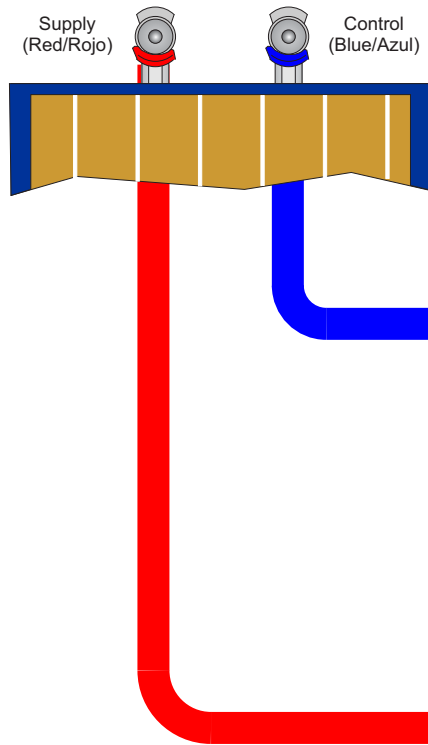
TIS0123-04

A1000S Relay Emergency Valve

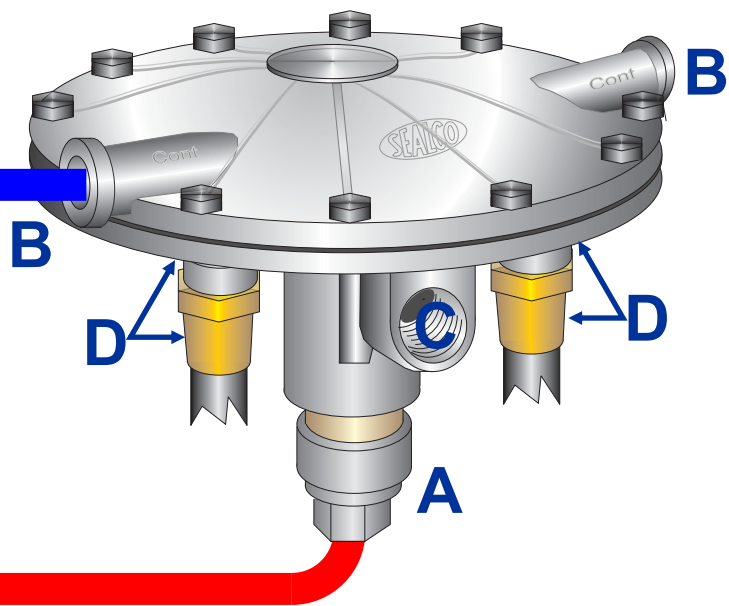
Feb. 2013

Well known for many decades, the A1000 is a charging style valve with 1.5 pound crack pressure. Well known for many decades. Easy to service and resistant to contamination.

Conocido por varios decadas, el A1000 es una valvula que se abre con presion de 1.5 libras. Es facil de darle servicio y resistente a contaminacion.



Made In USA

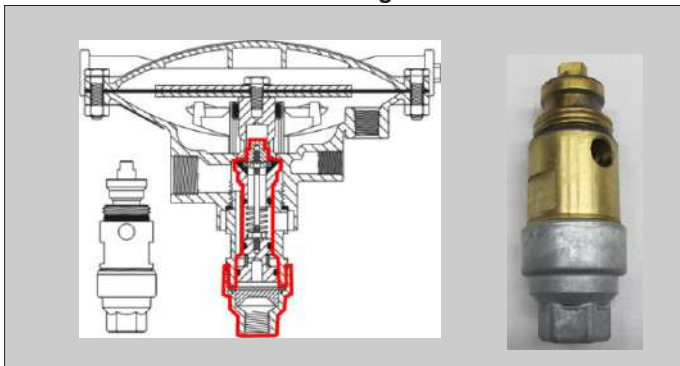


	A	B	C	D
Part Number	Supply Port (NPT)	Control Port (NPT)	Reservoir Port (NPT)	Delivery Ports (4) (NPT)
A1000S	1/4"	1/4"	3/4"	3/8"

Service Kits

- 1000-5A** Plug Unit/Cartucho de la parte abajo
- 10-5** Repair Kit O-Rings
- 110517** Major Repair Kit

1000-5A Plug Unit



110517 Major Repair Kit



10-5 Repair Kit

