

## **Bullet (#2858)**

- Premium aluminum automatic covering system for dump bodies up to 23 feet long.

## **Bullet 30° (#2858A-1)**

- Premium aluminum automatic covering system with 30° bend arms for dump bodies up to 23 feet long.

## **Bullet GL (#2858GL)**

- Premium aluminum manual, ground level, covering system for dump bodies up to 23 feet long.

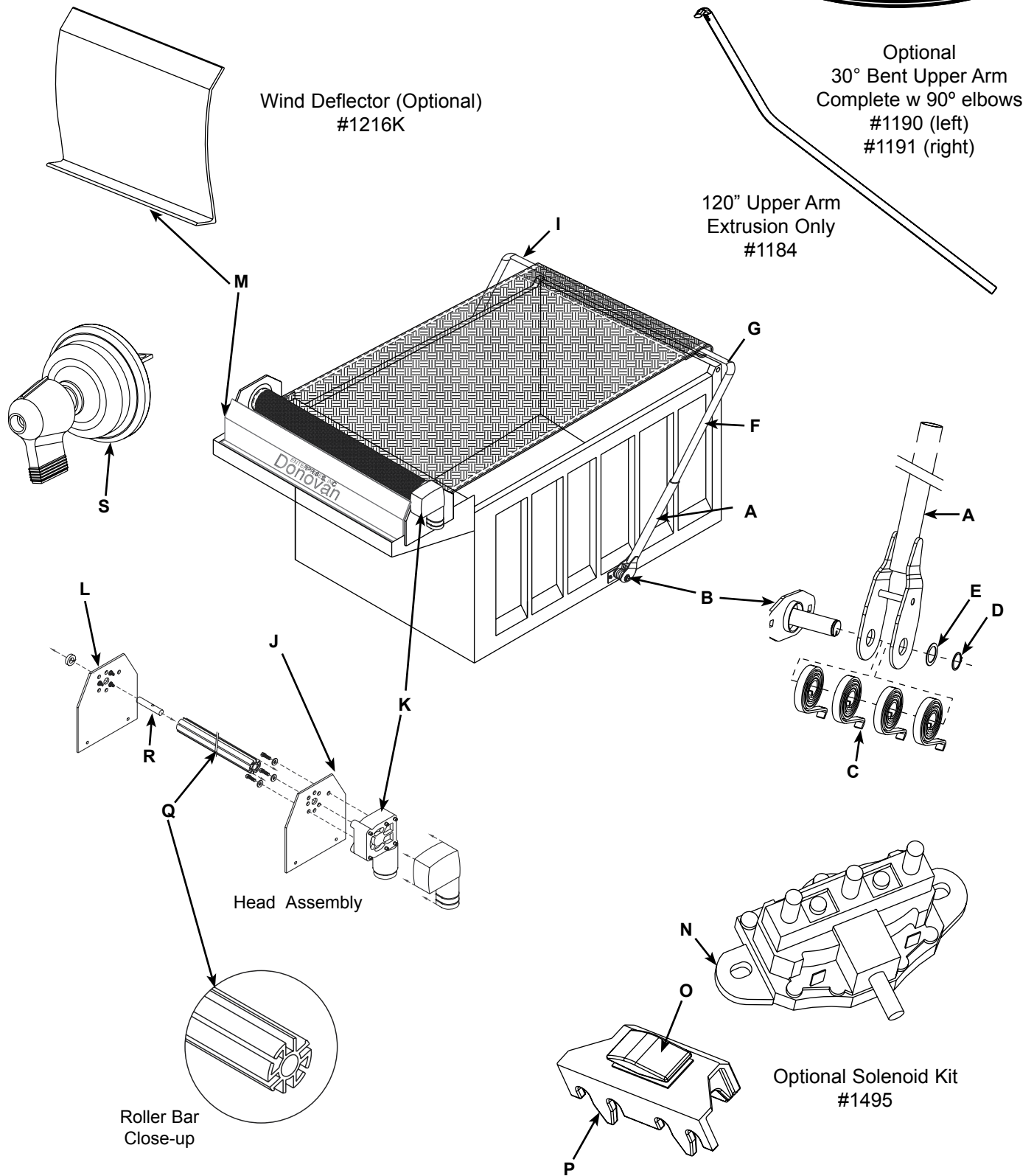
## **Bullet**

### ***Standard Features:***

- Anodized Aluminum Pivot Arms that never rust
- 12v Direct Drive Motor with 3-Year Warranty
- Extruded Aluminum Roller Bar
- Complete bolt-on assembly, no welding needed

### ***Optional Upgrades:***

- 40 AMP Durabuilt Rocker Switch Kit
- Wind Deflector, 2 piece
- Pivot Arm Rests



## System Parts

	DESCRIPTION	QTY	PART
	<b>BULLET, complete system</b>	1	2858
	<b>BULLET 30°, complete system</b>	1	2858A-1
	<b>BULLET GL, complete system</b>	1	2858GL
	Pivot Arm, L/H, Lower Assembly	1	8001
A	Pivot Arm, L/H, Lower	1	3211
B	Pivot Arm Mounting Assy., L/H	1	1787
C	Spring, Flat Coil, Torsion	4	2416
D	Ring, Retaining, 1 1/4"	1	2834
E	Shim, 1 1/4" x .047"	1	2833
	Rear Cross Piece, 100", Alum.	1	3279
	Pivot Arm, R/H, Lower Assembly	1	8002
	Pivot Arm, R/H, Lower	1	3211
	Pivot Arm Mounting Assy., R/H	1	1787
	Spring, Flat Coil, Torsion	4	2416
	Ring, Retaining, 1 1/4"	1	2834
	Shim, 1 1/4" x .047"	1	2833
	Wire, 60', 8 gauge	1	89
	Pivot Arm, L/H, Upper, w/90 Elbow	1	3244
F	Pivot Arm, Upper, 100", Alum.	1	3279
G	Elbow, 90 degree	1	2842D
	Pivot Arm, R/H, Upper, w/90 Elbow	1	3245
	Pivot Arm, Upper, 100", Alum.	1	3279
	Elbow, 90 degree	1	2842D
I	Rear Cross Piece, 100"	1	3279
	Bearing Plate, Direct Drive, w/ Motor	1	8003
J	Bearing Plate Universal	1	3221
K	Motor, Direct Drive	1	61G
	Chrome Motor Cover	1	4278
L	Bearing Plate, R/H, Assy.	1	8004
	Bearing Plate Universal	1	3270Z
	Bearing, 3/4" w/ collar	1	1752
	Wire, 60', 8 gauge	1	89
Q	Roller Bar, Aluminum	1	2365
	Rubber Tarp Stops	2	3771N
R	Extension Shaft, 3/4" x 4"	1	2838
	Rotary Switch Kit	1	85N
S	Rotary Switch	1	600

## Pivot Assembly Hardware

DESCRIPTION	QTY	PART
Bolt, hex, 3/8" x 1 1/2"	8	2464
Washer, flat, 3/8"	8	2875
Nut, hex lock, 3/8"	8	2874
Bolt, allen head, 1/4" x 1 1/4"	4	1914
Nut, tee, 1/4"	4	1915
Bolt, carriage 1/2" x 1 1/2"	4	4437
Washer, flat, 1/2"	4	2878
Nut, hex lock, 1/2"	4	2877
5mm Allen Wrench	1	3556

## Head Assembly Hardware

DESCRIPTION	QTY	PART
Shaft Extension, 3/4" x 4"	1	2838
Bolt, hex, 3/8" x 1 1/2"	8	2464
Washer, flat, 3/8"	8	2875
Nut, hex lock, 3/8"	8	2874
Bolt, carriage, 5/16" x 2 1/2"	2	3237
Nut, hex lock, 5/16"	2	2868
Washer, flat, 5/16"	2	2867
Bolt, hex, 5/16" x 3/4"	3	2418
Screw, Sheet metal #10 x 3/4"	2	3709

## Options

	DESCRIPTION	QTY	PART
	30° Pivot Arm (L/H), complete w/ elbows	1	1190
	30° Pivot Arm (R/H), complete w/ elbows	1	1191
	120" Aluminum Extrusion only	1	1184
	Bolt, Allen Head, 1/4" x 1 1/2"	4	1914
	Nut, tee, 1/4"	4	1915
	Pivot Arm Mount R/H offset	1	1729
	Pivot Arm Mount L/H offset	1	1730
H	Pivot Arm Rest Assembly, Alum.	2	3218B
	Pivot Arm Rest	2	3361
	Bumper, Rubber	2	2948
M	Wind Deflector, Aluminum	1	1216K
	Durabuilt Switch Kit	1	1495
	40 Amp circuit breaker	1	1856
N	Solenoid	1	1464
O	Rocker Switch	1	1897
P	Rocker Switch Bracket	1	1532