

Hammer (#2942)

- Premium steel covering system for dump bodies up to 23 feet long.

Hammer

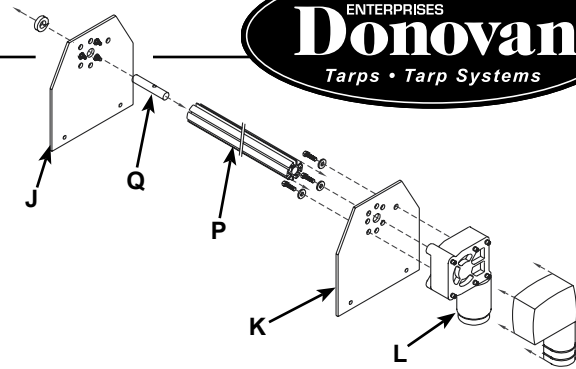
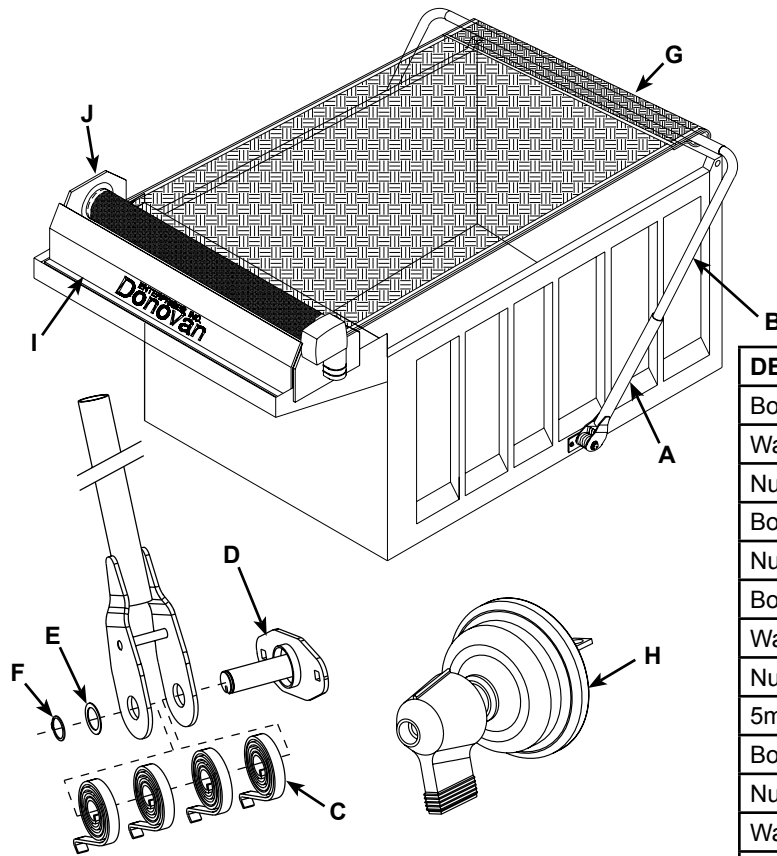
Standard Features:

- One size fits up to 23ft. bodies.
- 1.69" Round Tube "Easy-Off" Pivot Arms
- 8 Flat Coil Torsion Springs

Optional Upgrades:

- 40 AMP Durabuilt Rocker Switch Kit
- Wind Deflector, 2 piece
- Pivot Arm Rests

Hammer



Mounting Hardware

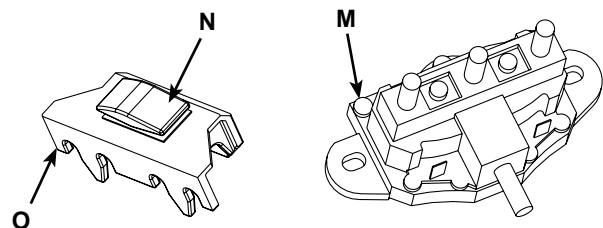
DESCRIPTION	QTY	PART
Bolt, hex, 3/8" x 1 1/2"	8	2464
Washer, flat, 3/8"	8	2875
Nut, hex lock, 3/8"	8	2874
Bolt, allen head, 1/4" x 1 1/4"	2	3954
Nut, tee, 1/4"	2	1915
Bolt, hex 1/2" x 1 1/2"	4	2883
Washer, flat, 1/2"	4	2878
Nut, hex lock, 1/2"	4	2877
5mm Allen Wrench	1	3556
Bolt, carriage, 5/16" x 2 1/2"	2	3237
Nut, hex lock, 5/16"	4	2868
Washer, flat, 1/2"	4	2867
Rubber Bumper	2	2948
5/16" x 1" Carriage Bolt	2	2460
5/16" x 3/4" Bolt	3	2418
Sheet metal screws #10 x 3/8"	2	3709
3/4" Shaft Collar	1	450

System Parts

DESCRIPTION	QTY	PART
HAMMER, complete system	1	2942
A Pivot Arm, Lower Assy., 1.69"	2	3688
B Pivot Arm, Upper, 1.315"	2	3691
C Spring, Coil Torsion	8	2416
D Pivot Arm Mounting Assy.	2	1787
E Shim, 1.25" x .047"	2	2833
F Retaining Ring	2	2834
G Rear Cross Piece, 1.69" round steel	1	3689
Rotary Switch Kit	1	85N
H Rotary Switch	1	600
J Universal Bearing Plate w/ bearing	1	3678
K Universal Bearing Plate	1	3270
L Motor Direct Drive	1	61G
Chrome Motor Cover	1	4278
Wire, 60', 8 gauge	1	89
P Roller Bar, aluminum	1	2365
Q Extension Shaft, 3/4" x 4"	1	2838

Options

DESCRIPTION	QTY	PART
Durabuilt Switch Kit	1	1495
40 Amp circuit breaker	1	1856
M Solenoid	1	1464
N Rocker Switch	1	1897
O Rocker Switch Bracket	1	1532
Pivot Arm Rest	2	3694K
I Wind Deflector, 2 piece	1	1647K



Heavy Duty Truck Division Tarp System Parts Catalog - January 2012

Donovan Enterprises • 3353 SE Gran Park Way • Stuart, FL 34997

Outside the U.S. call (772) 286-3350 • www.donovan-ent.com • e-mail: info@donovan-ent.com

Call (800) 327-8287 or (772) 286-3350 • Fax (772) 287-0431