



Heavy Duty Truck Covering System Catalog

**To order, call toll-free
1-800-327-8287 or
fax your order to
1-772-287-0431**

www.donovan-ent.com

January 2010

This catalog supersedes all other Donovan Heavy Duty Catalogs dated before 01/10. Please discard all older versions. If any discrepancies are found in this catalog, please inform one of Donovan's customer service care representatives the next time you call or send an e-mail to info@donovan-ent.com Thank you.



Donovan Enterprises is the world's leading manufacturer of tarps, tarp mechanisms and accessories for the trucking industry. Since 1977, Donovan Enterprises has continued to "Raise the Standard" of excellence in our industry.

Our mission is to bring value to our customers through quality products, fair pricing and the best customer service possible. You may find other manufacturers that offer a good product or a low price, but you won't find the complete package you'll get from Donovan.

As a Donovan customer, you are supported by:

- **The largest, most experienced and capable nationwide team of field sales representatives in the industry. If you are a Donovan customer, you already know this. Many of our sales reps have over 15 years of experience with Donovan!**
- **In addition to our outside team, we offer an unparalleled team of inside sales representatives averaging nearly 15 years of Donovan sales and service experience!**
- **The most complete line of tarps, tarp mechanisms and related accessories for the dump trucking and solid waste hauling industries!**

It is this experience and attention to our customers that has repeatedly turned first-time buyers into life-long customers. Whatever your tarping need, Donovan offers more experience in the industry and a more complete line of quality products than any other manufacturer. Give Donovan a try. Let us earn your business!

Please contact a customer service representative at (800) 327-8287 with your questions regarding the mechanisms or parts included in this catalog.

To order, call toll-free
1-800-327-8287

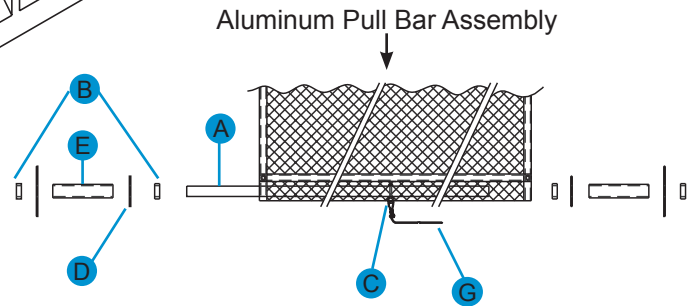
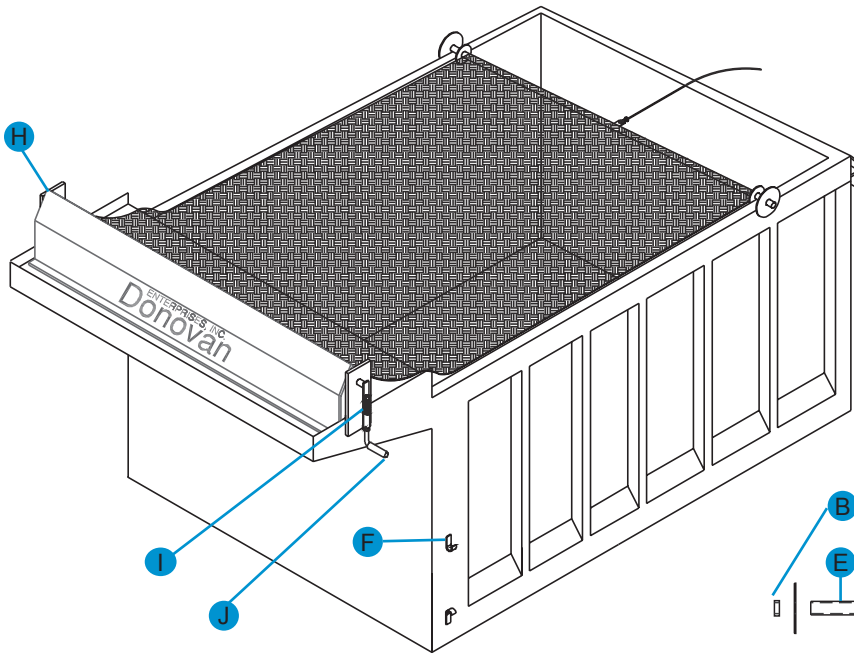
Outside the US call
(772) 286-3350

or fax your order to
(772) 287-0431

www.donovan-ent.com

Contents

TRUCK MODELS	COVERING LENGTH	PAGE #
2000 Series (Pull-Over Series)		4-7
2000X	50'	4
Turbo Tarp	50'	5
2000SR	26'	6-7
5000 Series (Side Spring Option)		8-16
5000S / SU	20'/18"	9-10
5000GL / GLU	20'/18'	11-12
5000XGL	18'	13
5000ELD / ELUD	20'/18'	14-15
5000XEL	18'	16
7000 Series (Side Torsion Spring)		17-18
7000GL	20'	17
7000ELD	20'	18
HAMMER (Steel, Coil Torsion Spring)	23'	19
BULLET (Aluminum, Coil Torsion Spring)	23'	20-21
FLASH (Aluminum, Coil Torsion Spring)	23'	22-24
TRAILER MODELS	COVERING LENGTH	PAGE #
7800 Series (Side Torsion Spring)	30'	25-26
7800GL	30'	25
7800ELD	30'	26
BULLET Trailer (Aluminum, Coil Torsion Spring)	38'	27
LONG ARM JR.	38'	28-29
BOWSLIDER (Manual, Cable Tarping System)	48'	30-36
SIDE ROLLER (Manual Roll Tarp Systems)	53'	37-38



2000X System, Complete

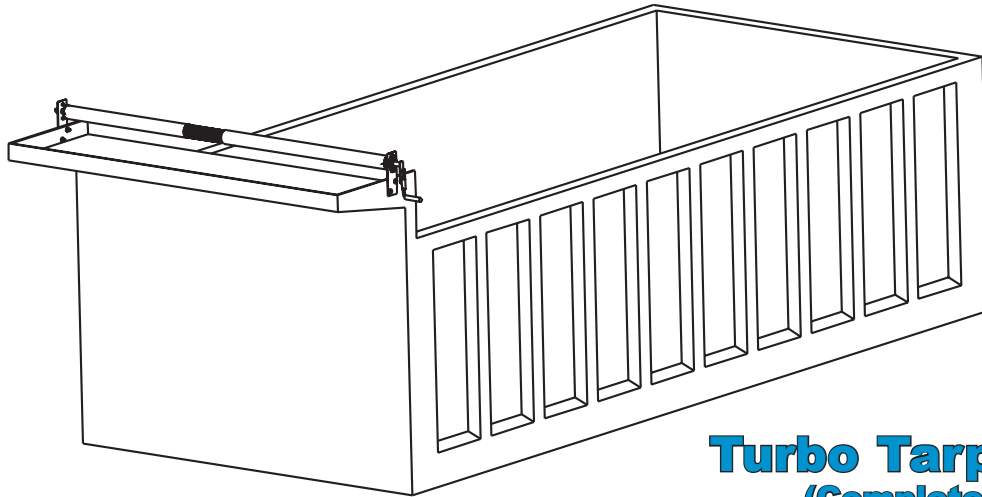
	Qty	Part #
2000X System, Complete	1	48
Pull Bar Assembly, Complete	1	105
A Aluminum Tubing, 1" x 104"	1	439
B Shaft Collar, 1"	5	40
C Eye Bolt w/ nut, 5/16" x 1.25"	1	2454
D Washer, Fender, 1" ID x 3" OD	2	92
Washer, Fender, 1" ID x 5" OD	2	3809
E Roller, PVC, 1" ID x 6" OD	2	2451
F J - Hook	4	62
G Rope assembly	1	3788
Hose Clamp, 1 1/2"	4	146
Shaft Collar, 3/4"	2	148
Rubber Strap w/ hooks, 15"	1	187
Bearing plate Assembly	2	4419
Bearing Plate	2	4155
H Bearing, 3/4"	2	145
I Crank Handle	1	4128
J Handle Grip	1	2074
Roller Bar	1	121
Loctite (5ml Tube)	1	3858

Mounting Hardware

Description	Qty	Part #
Hardware Bag	1	4418
Bolt hex, 3/8" x 1 1/2"	4	2464
Washer, flat, 3/8"	4	2875
Nut, lock, 3/8"	4	2874
Hardware Box	1	123

Options

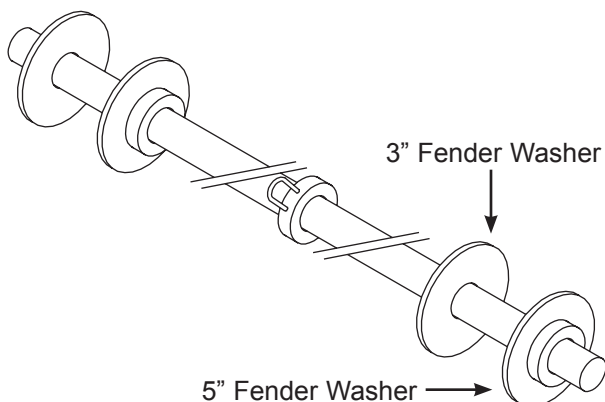
Description	Part #
Wind Deflector	1647
Tarp Housing, adjustable 84" - 100"	1747



Turbo Tarp System (Complete #4200)

TurboTarp Standard Features

- Bolts or welds on, installs in minutes!
- Ships assembled
- Extremely durable extruded aluminum tarp roller bar
- Fold away handle will lock the system, no need to use a strap!
- Roller tube has a tarp spline groove for a quick tarp change



Turbo Tarp System

(Complete with pull bar assy. #4200P)

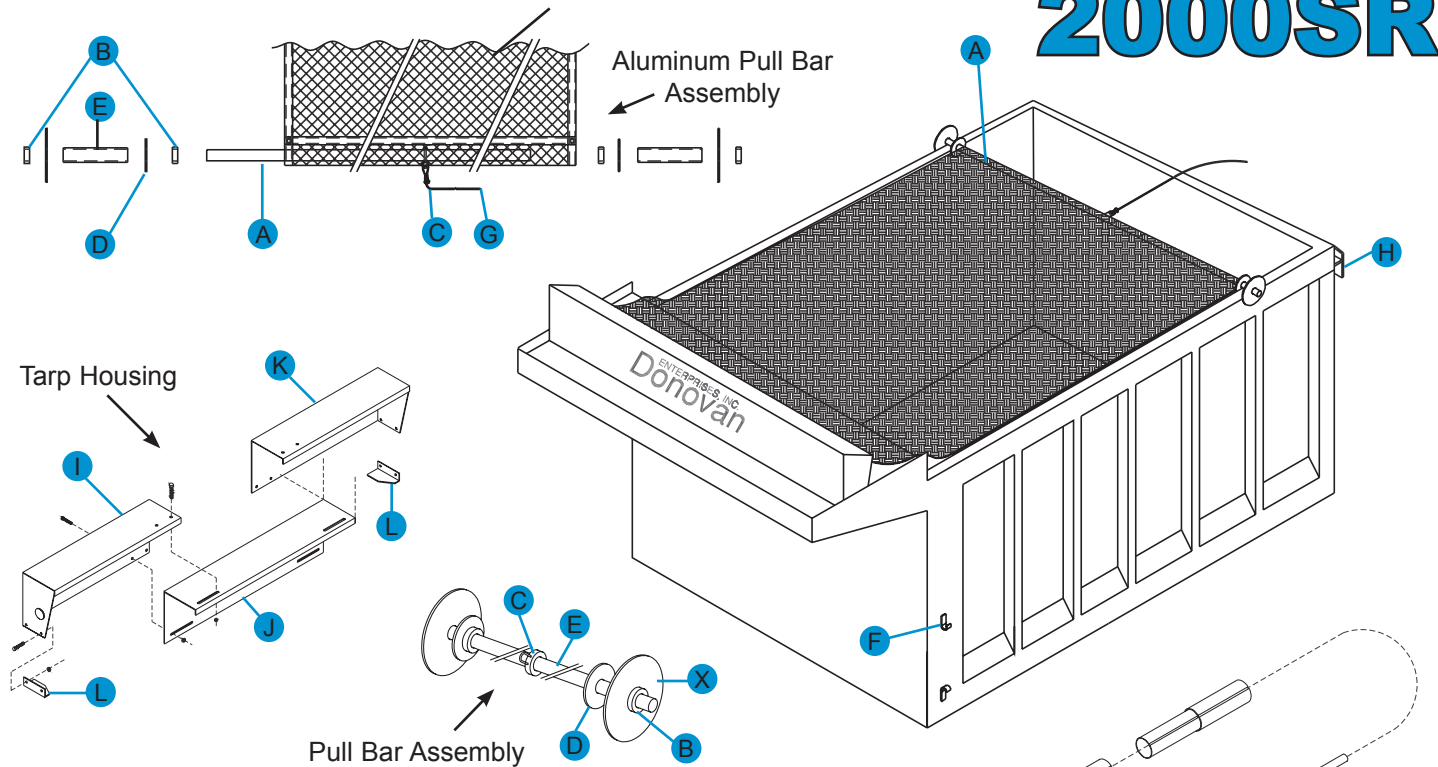
Mounting Hardware

Description	Qty	Part #
Hardware Bag	1	4418
Bolt hex, 3/8" x 1 1/2"	4	2464
Washer, flat, 3/8"	4	2875
Nut, lock, 3/8"	4	2874
Hardware Box	1	123

Options

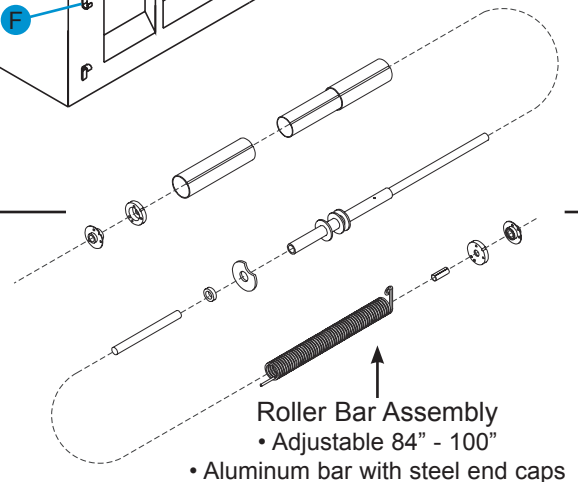
Description	Qty	Part #
Pull-Bar Assembly	1	105
1" Extruded aluminum	1	439
3" Fender Washer	2	92
5" Fender Washers	2	3809
Rollers, PVC	2	2451
50' Pull Rope Assembly	1	3788
Eye Bolt, 5/16 x 1.25	1	2454
Shaft Collar, 1"	5	40
J Hook	4	62

2000SR



2000SR System, Complete

	Qty	Part #
Pull Bar Assembly, Complete	1	105
A Aluminum Tubing, 1" x 104"	1	439
B Shaft Collar, 1"	5	40
C Eye Bolt w/ nut, 5/16" x 1.25"	1	2454
D Washer, Fender, 1" ID x 3" OD	2	92
X Washer, Fender, 1" ID x 5" OD	2	3809
E Roller, PVC, 1" ID x 6"	2	2451
F J - Hook	4	62
G Rope assembly	1	900
H Tailgate Latch	2	660
Tarp Housing, Adjustable, 84"-100"	1	
I Housing Assembly, Left	1	1750
J Housing Assembly, Center	1	1377
K Housing Assembly, Right	1	1751
L Mounting Angles	2	1328
Roller Bar Assembly	1	99
Bearing	1	1752

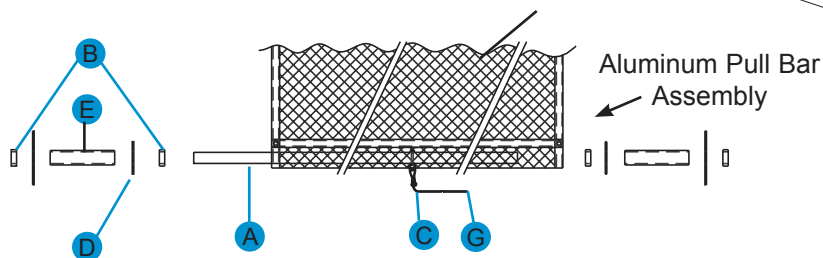
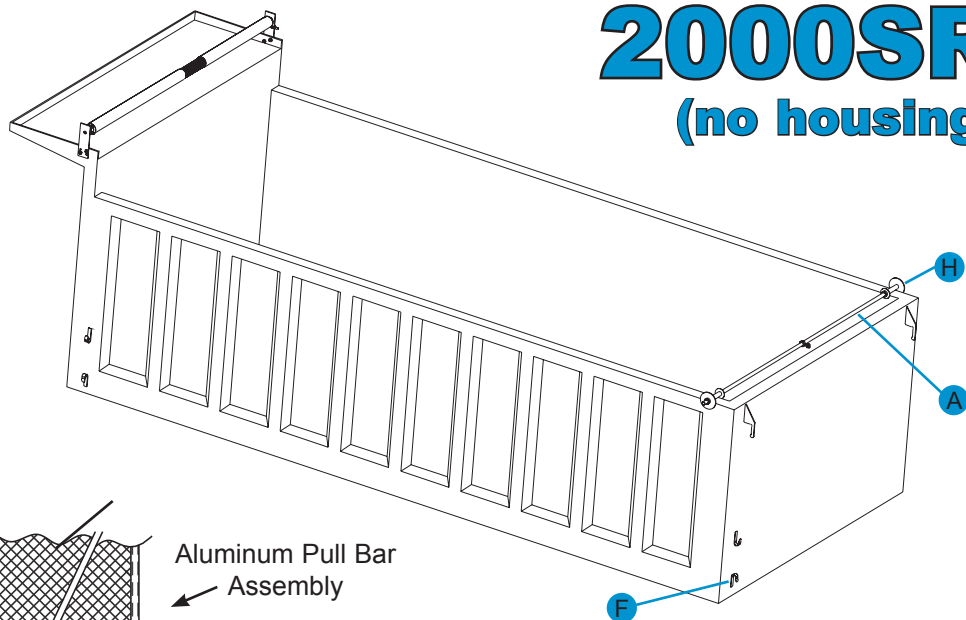
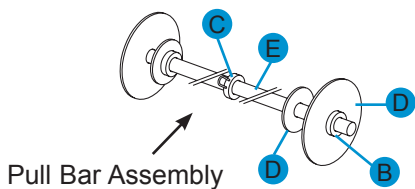


Mounting Hardware

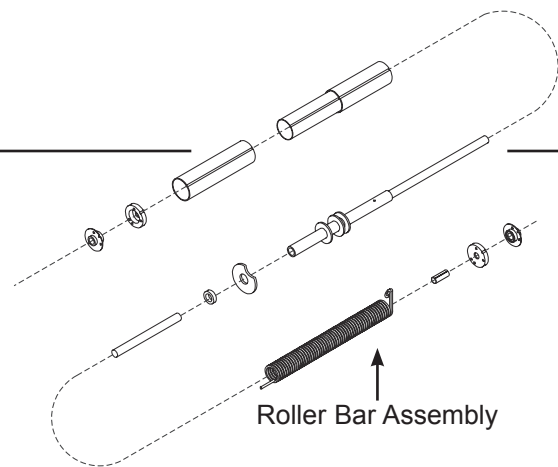
Description	Qty	Part #
Hardware Bag	1	522
Bolt hex, 3/8" x 1 1/2"	4	2469
Washer, flat, 3/8"	4	2875
Nut, lock, 3/8"	4	2874
Pull Bar Hardware Kit	1	635
Ratchet Spring	1	2314
Ratchet Pawl	1	2650

2000SR

(no housing)



2000SR System, Complete		Qty	Part #
	Pull Bar Assembly, Complete	1	165
A	Aluminum Tubing, 1" x 104"	1	439
B	Shaft Collar, 1"	5	40
C	Eye Bolt w/ nut, 5/16" x 1.25"	1	2454
D	Washer, Fender, 1" ID x 3" OD	2	92
	Washer, Fender, 1" ID x 5" OD	2	3809
E	Roller, PVC, 1" ID x 6"	2	2451
F	J - Hook	4	62
G	Rope assembly	1	900
H	Tailgate Latch	2	660
	Roller Bar Assembly	1	99
	End Plate without Ratchet	1	4618
	End Plate with Ratchet	1	4621

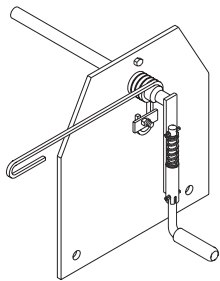


Mounting Hardware

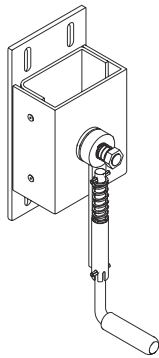
Description	Qty	Part #
Hardware Bag	1	522
Bolt hex, 3/8" x 1 1/2"	4	2464
Washer, flat, 3/8"	4	2875
Nut, lock, 3/8"	4	2874
Pull Bar Hardware Kit	1	635

5000 Series

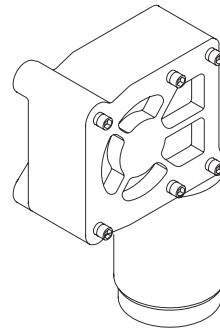
System	Finish	Drive	Spring Type
5000XEL	Galvanized	Electric	Side-flat torsion
5000ELD	Black Paint	Electric	Side-extension
5000ELUD	Black Paint	Electric	Underbody extension
5000XGL	Galvanized	Ground Level Manual	Side-flat torsion
5000GL	Black	Ground Level Manual	
5000GLU	Black	Ground Level Manual	Underbody spring
5000XCL	Galvanized	Cab Level Manual	Side-flat torsion
5000S	Black	Cab Level Manual	
5000SU	Black	Cab Level Manual	



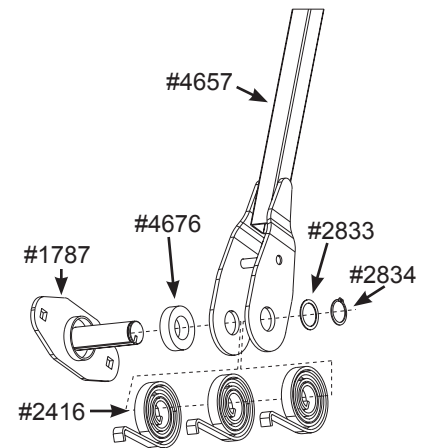
Safety Brake Spring
#84



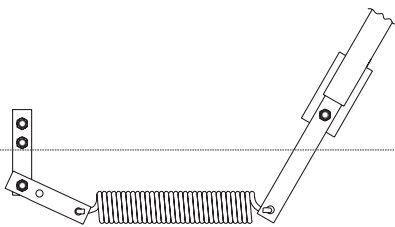
Ground Level
Crank Assembly
#441



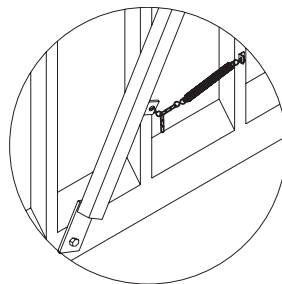
Motor Assembly
#61G



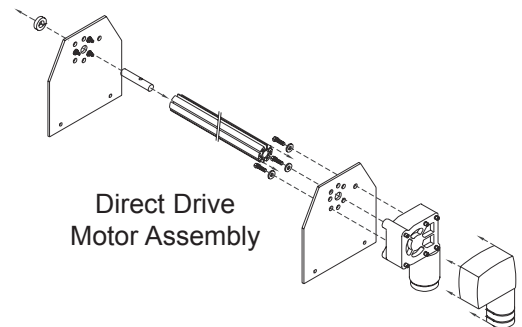
Pivot Arm Assembly



Underbody Spring Assembly (#1884)
Spring only (#1585)

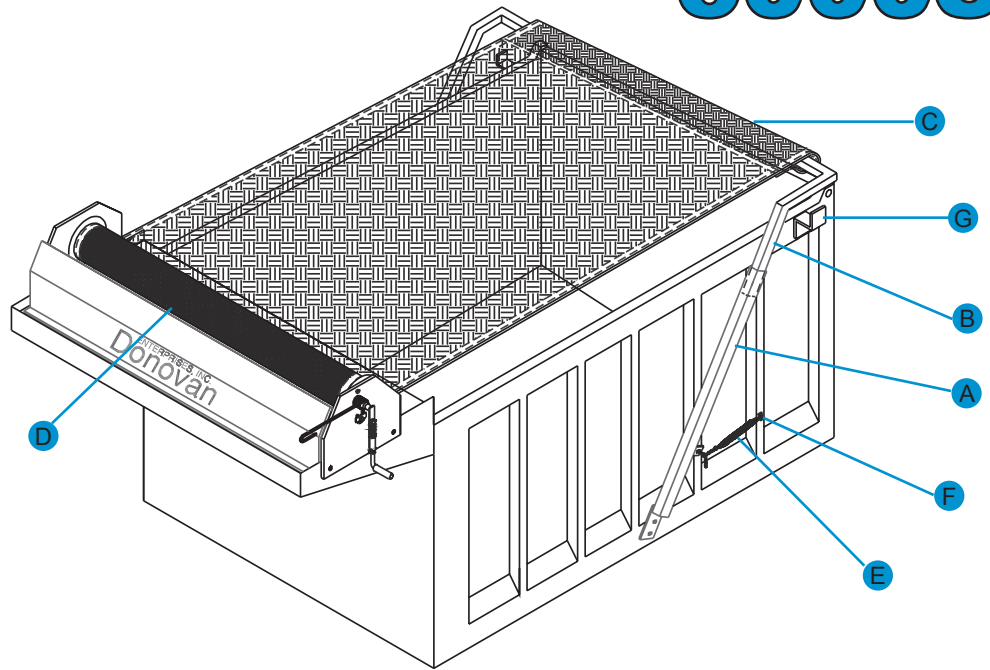
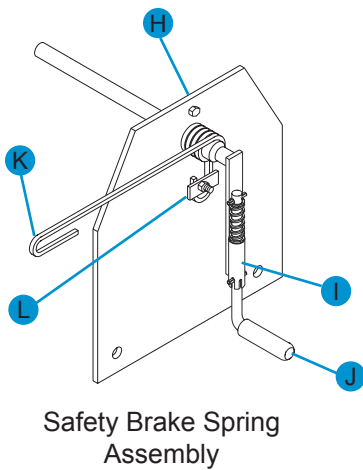


Side Spring
#116



Direct Drive
Motor Assembly

5000S



	Qty	Part #
5000S System, Complete	1	343
A Pivot Arm (L), 1-1/4" x 8	1	903
Pivot Arm (R), 1-1/4" x 8	1	902
B Bent Arm extension (L), 1" sq.	1	905
Bent Arm extension (R), 1" sq.	1	904
C Rear Cross Piece, 1-1/4"sq.	1	2071
D Roller Bar, 1" dia.	1	121
E Spring Extension, 25"	2	116
F Spring Attachment Angle	2	798
Chain Links, 3/16" x 12"	2	144
G Pivot Arm Rest	2	952K
5000 Crank Assembly	1	84
H Bearing Plate, Universal, Steel	2	3270
I Crank Handle w/ Brake Pad	1	4128
J Handle Grip, 4.5" x 3/4"	1	2074
K Brake Spring	1	1202
L Brake Spring clip	1	753
Bearing, 3/4"	2	145
Rubber Strap w/hooks, 15"	1	187
Shaft Collar, 3/4"	2	148
S-Hook, 1/4" x 2.5"	6	147

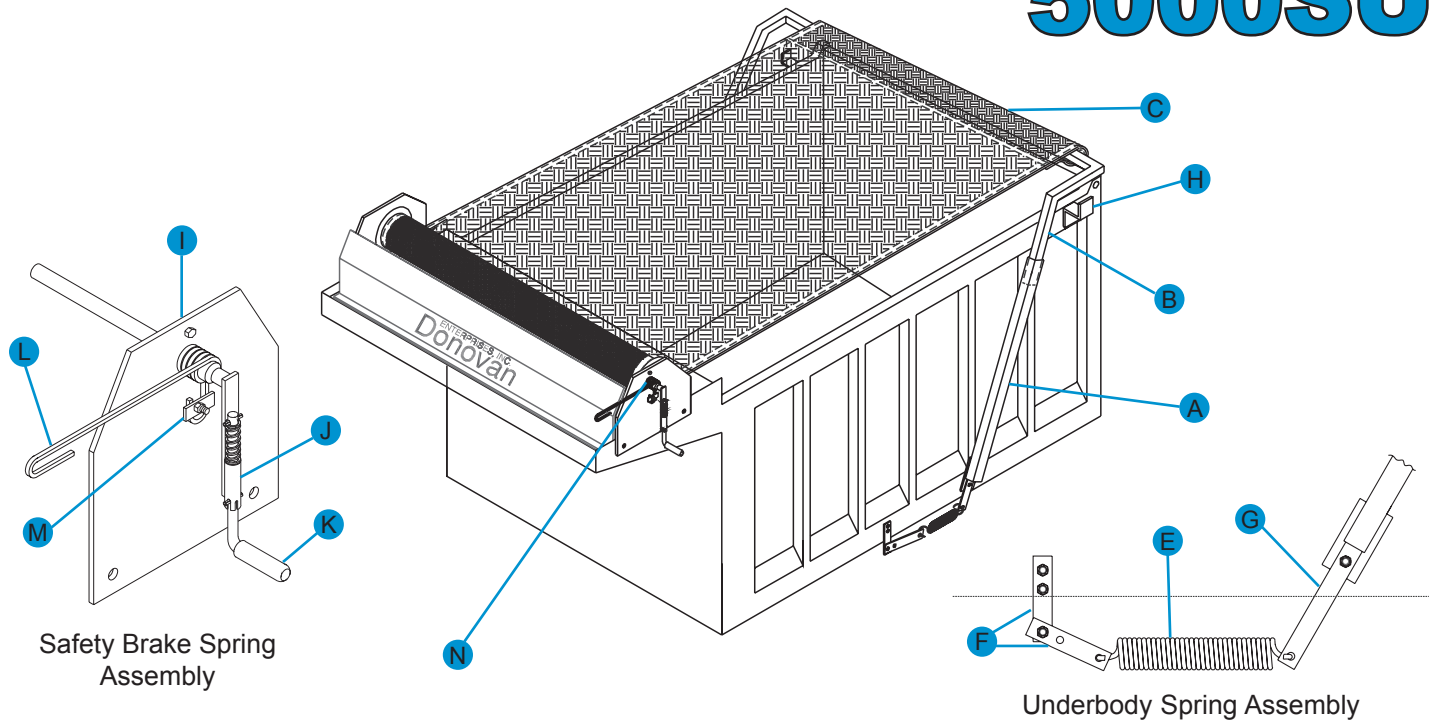
Mounting Hardware

Description	Qty	Part #
Bolt, hex, 3/8" x 1 1/2"	4	2464
Washer, flat, 3/8"	4	2875
Nut, lock, 3/8"	4	2874
Bolt, hex, 1/2" x 2 1/2"	2	287
Washer, flat, 1/2"	6	2878
Nut, lock, 1/2"	4	2877
Cotter Pin, 1/4" x 3"	4	2475
Hose Clamp 1 1/2"	4	146

Options

Description	Qty	Part #
Wind Deflector	1	1647K

5000SU



Safety Brake Spring Assembly

Underbody Spring Assembly

	Qty	Part #
5000SU System, Complete	1	1675
A Pivot Arm (L), 1-1/4" x 8	1	903
Pivot Arm (R), 1-1/4" x 8	1	902
B Bent Arm extension (L), 1" sq.	1	905
Bent Arm extension (R), 1" sq.	1	904
C Rear Cross Piece, 1-1/4"sq.	1	2071
D Roller Bar, 1" dia.	1	121
E Spring, underbody, 12"	2	1585
F Spring Mount Bracket, underbody	4	1586
G Pivot Arm Bracket, underbody	2	2121
H Pivot Arm Rest	2	952K
5000 Crank Assembly	1	84
I Bearing Plate, Universal, Steel	2	3270
J Crank Handle w/ Brake Pad	1	4128
K Handle Grip	1	2074
L Brake Spring	1	1202
M Brake Spring clip	1	753
N Bearing, 3/4"	2	145
Rubber Strap w/hooks, 15"	1	187

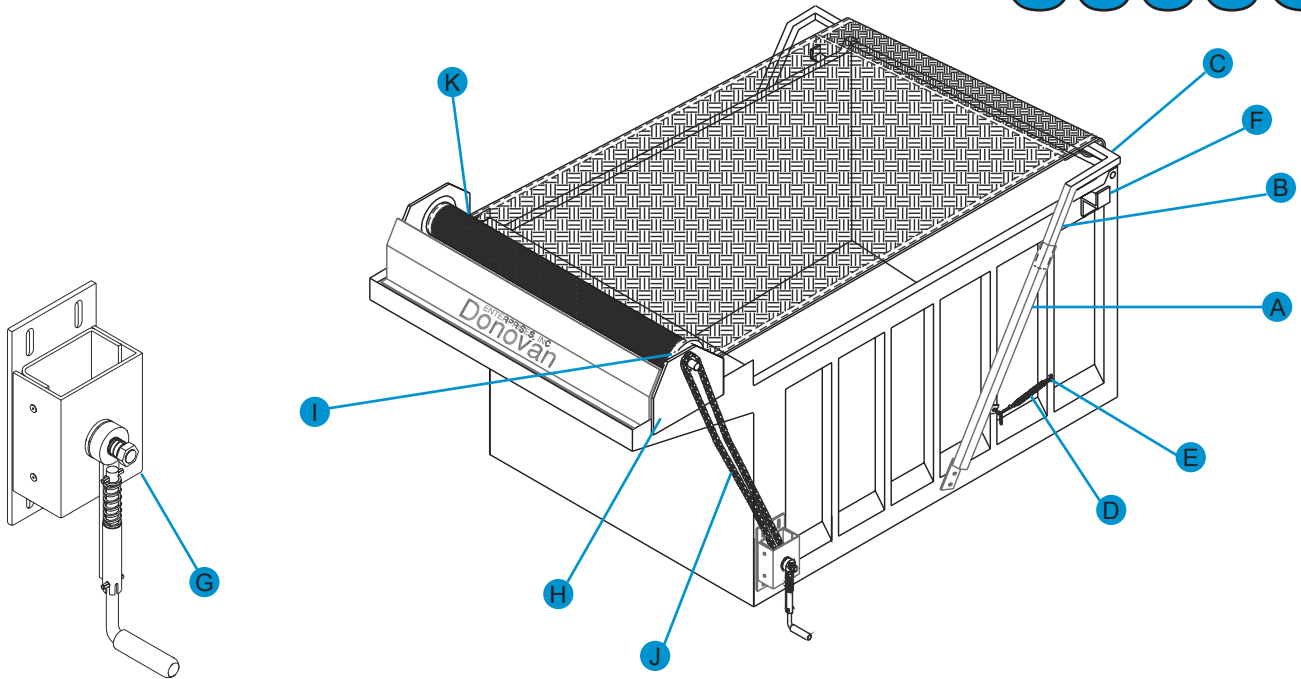
Mounting Hardware

Description	Qty	Part #
Bolt hex, 3/8" x 1 1/2"	10	2464
Washer, flat, 3/8"	10	2875
Bolt, hex, 1/2" x 2 1/2"	2	287
Washer, flat, 1/2"	6	2878
Nut, lock, 1/2"	4	2877
Cotter Pin, 1/4" x 3"	4	2475
Nut, lock, 3/8"	10	2874
Hose Clamp, 1-1/2"	4	146
Shaft Collar, 3/4"	2	148

Options

Description	Qty	Part #
Wind Deflector	1	1647K

5000GL



	Qty	Part #
5000GL System, Complete	1	344
A Pivot Arm (L), 1-1/4" x 8	1	903
Pivot Arm (R), 1-1/4" x 8	1	902
B Bent Arm extension (L), 1" sq.	1	905
Bent Arm extension (R), 1" sq.	1	904
C Rear Cross Piece, 1-1/4"sq.	1	2071
D Spring Extension, 25"	2	116
E Spring Attachment Angle	2	798
S-Hook	6	147
Chain Links, 3/16" x 12"	2	144
F Pivot Arm Rest	2	952K
G GL Crank Assembly	1	441
H Bearing Plate, Universal, Steel	2	3270
Bearing, 3/4"	2	145
I Shaft and Sprocket	1	2403
J Chain, #40 x 10'	1	793
K Roller Bar, 1" dia.	1	121
Chain Guard (Optional)	1	114

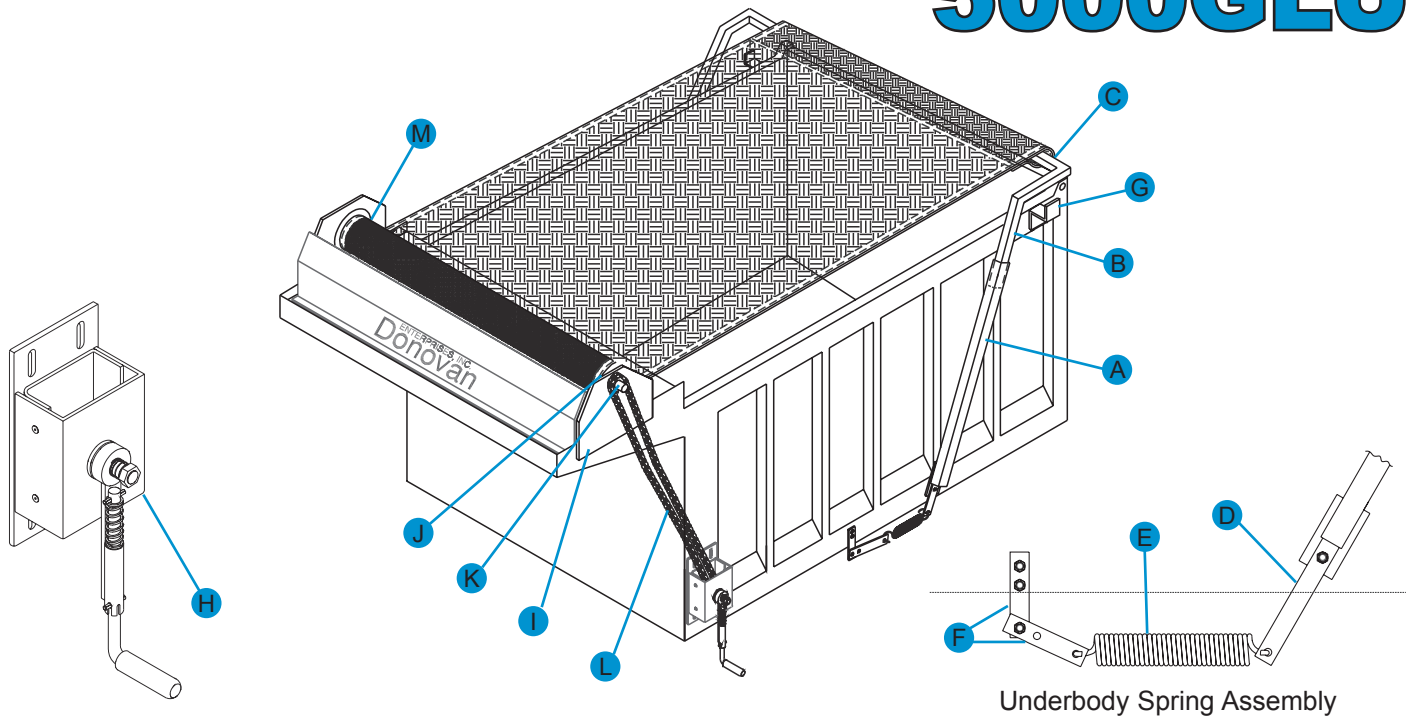
Mounting Hardware

Description	Qty	Part #
Bolt, hex, 3/8" x 1 1/2"	8	2464
Washer, flat, 3/8"	12	2875
Nut, lock, 3/8"	8	2874
Bolt, hex, 1/2" x 2 1/2"	2	287
Washer, flat, 1/2"	6	2878
Nut, lock, 1/2"	4	2877
Cotter Pin, 1/4" x 3"	4	2475
Hose Clamp 1 1/2"	4	146
Shaft Collar 3/4"	2	148

Options

Description	Qty	Part #
Wind Deflector	1	1647K
Chain Guard	1	114

5000GLU



Underbody Spring Assembly

	Qty	Part #
5000GLU System, Complete	1	1679
A Pivot Arm (L), 1-1/4" x 8	1	903
Pivot Arm (R), 1-1/4" x 8	1	902
B Bent Arm extension (L), 1" sq.	1	905
Bent Arm extension (R), 1" sq.	1	904
C Rear Cross Piece, 1-1/4"sq.	1	2071
D Pivot Arm Bracket, underbody	2	2121
E Spring, underbody, 12"	2	1585
F Spring Mount Bracket, underbody	4	1586
G Pivot Arm Rest	2	952K
H GL Crank Assembly	1	441
I Bearing Plate, Universal, Steel	2	3270
J Bearing, 3/4"	2	145
K Shaft and Sprocket	1	2403
L Chain, #40 x 10'	1	793
M Roller Bar, 1" dia.	1	121
Chain Master Link #40	1	272

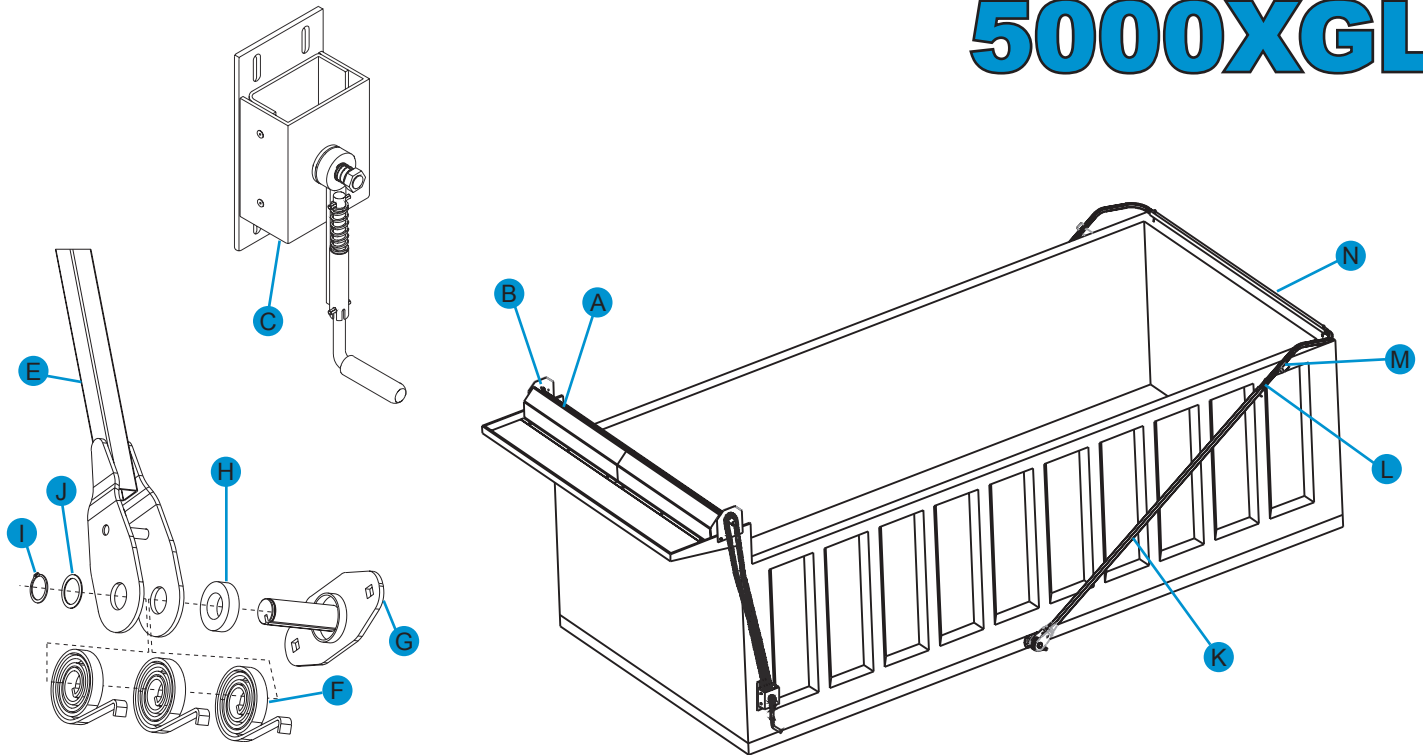
Mounting Hardware

Description	Qty	Part #
Bolt, hex, 3/8" x 1 1/2"	4	2464
Washer, flat, 3/8"	4	2875
Washer, lock, 3/8"	4	2872
Nut, hex, 3/8"	4	2873
Bolt, hex, 1/2" x 2 1/2"	2	287
Washer, flat, 1/2"	6	2878
Nut, hex, 1/2"	4	2473
Cotter Pin, 1/4" x 3"	4	2475
Nut, lock, 3/8"	2	2874
Hose Clamp, 1-1/2"	4	146
Shaft Collar, 3/4"	2	148

Options

Description	Qty	Part #
Wind Deflector	1	1647K
Chain Guard	1	114

5000XGL



	Qty	Part #
5000XGL System, Complete	1	729
A Roller Bar, 1" dia.	1	121
B Bearing Plate w/ Bearing	2	3678
Bearing, 3/4"	2	145
C GL Crank Assembly	1	441
Pivot Arm, lower, passenger side (not shown)	1	615
E Pivot Arm 5000XL	1	4657
F Spring, Flat Coil, Torsion	3	2416
G Pivot Mount, Universal	1	1787
H Spacer, Pivot Mount	1	4676
I Ring, Retaining, 1 1/4"	1	2834
J Shim 1 1/4 x .047	1	2833
K Pivot Arm, lower, driver side	1	614
Pivot Arm 5000XL	1	4657
Spring, Flat Coil, Torsion	3	2416
Shim 1 1/4 x .047	1	2833
Ring, Retaining, 1 1/4"	1	2834
Pivot Mount, Universal	1	4304
Spacer, Pivot Mount	1	4676
L Pivot Arm, Upper, driver side	1	4668
Pivot Arm, Upper, passenger side	1	4669
M Pivot Arm Rest	2	952K
N Rear Cross Piece	1	4667
Shaft and Sprocket	1	2403
Chain, #40 x 10'	1	793

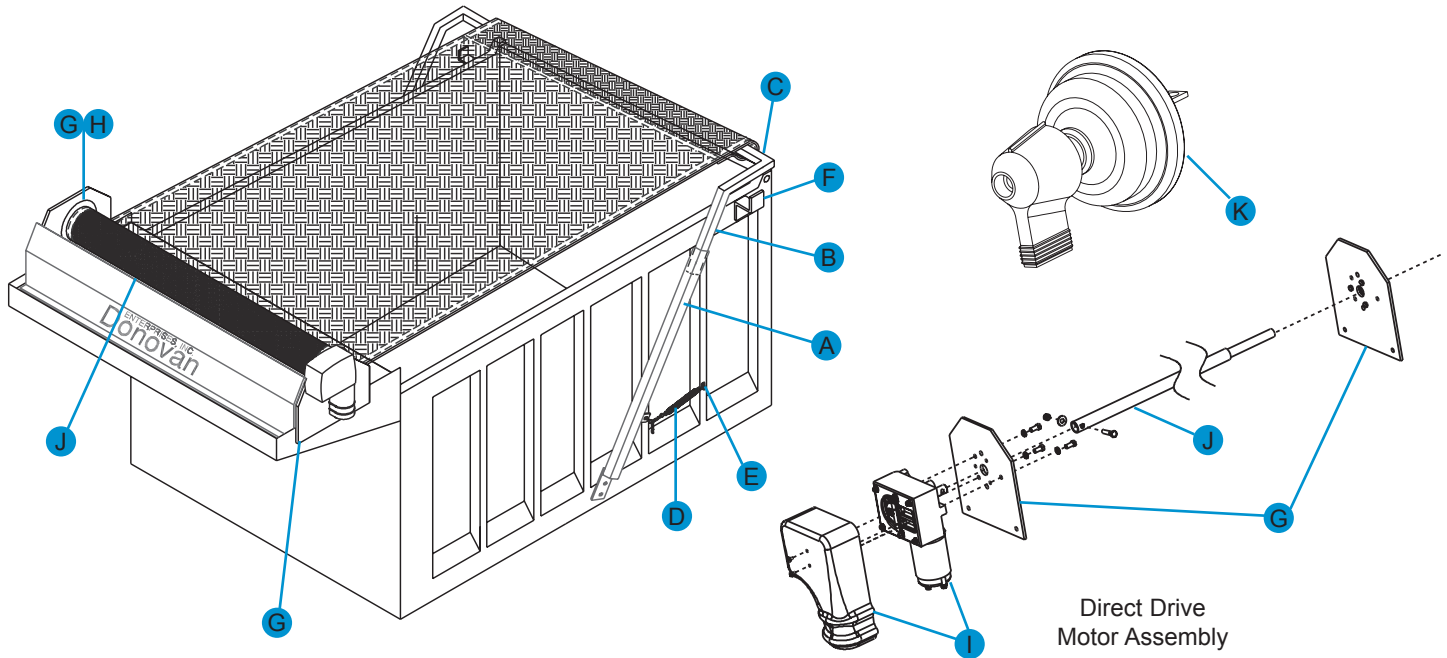
Mounting Hardware

Description	Qty	Part #
Bolt hex, 3/8" x 1 1/2"	4	2464
Washer, flat, 3/8"	4	2875
Nut, lock, 3/8"	4	2874
Bolt, Carriage, 5/16" x 2 1/2"	2	3237
Washer, flat, 5/16"	2	2867
Nut, lock, 5/16"	2	2868
Bolt, hex, 5/16" x 3/4"	3	2418
Screw, Sheet Metal #10 x 3/4"	2	3709
Bolt, Carriage, 1/2" x 2"	4	4437
Washer, flat, 1/2"	4	2878
Nut, lock, 1/2"	4	2874
Cotter Pin, 1/4" x 2 1/2"	4	2475

Options

Description	Qty	Part #
Wind Deflector	1	1647K
Chain Guard	1	114

5000ELD

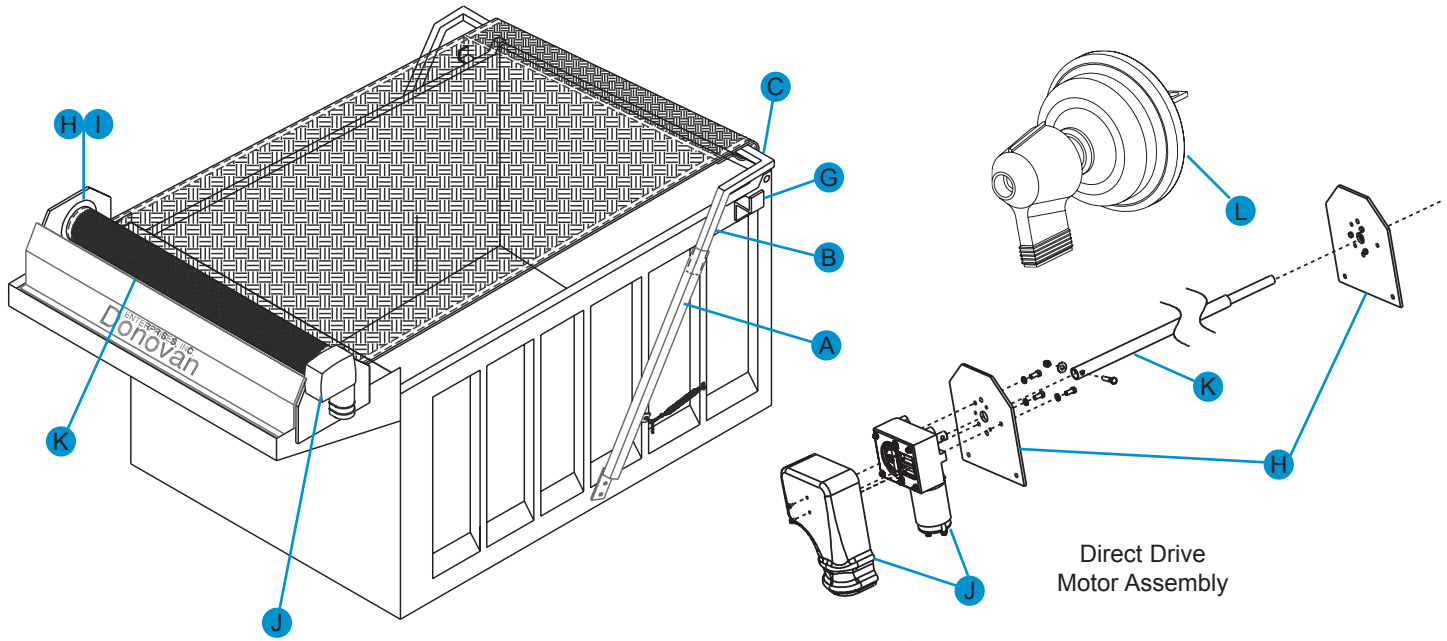


	Qty	Part #
5000ELD System, Complete	1	168
A Pivot Arm (L), 1-1/4" x 8'	1	903
Pivot Arm (R), 1-1/4" x 8'	1	902
B Bent Arm extension (L), 1" sq.	1	905
Bent Arm extension (R), 1" sq.	1	904
C Rear Cross Piece, 1-1/4"sq.	1	2071
D Spring Extension, 25"	2	116
E Spring Attachment Angle	2	798
S-Hook	6	147
Chain Links, 3/16" x 12"	2	144
F Pivot Arm Rest	2	952K
G Bearing Plate, Universal, Steel	2	3270
H Bearing, 3/4"	1	145
I Motor, Direct Drive w/ cover	1	61G
J Roller Bar, 1" dia., steel	1	121
Wire, 60', 8 gauge	1	89
K Rotary Switch	1	600

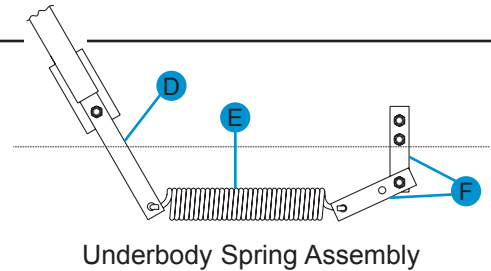
Mounting Hardware		
Description	Qty	Part #
Bolt, hex, 3/8" x 1 1/2"	4	2464
Washer, flat, 3/8"	4	2875
Nut, lock, 3/8"	4	2874
Bolt, hex, 1/2" x 2 1/2"	2	287
Washer, flat, 1/2"	6	2878
Nut, lock, 1/2"	4	2877
Cotter Pin, 1/4" x 3"	4	2475
Screw, Sheet Metal #10	2	3709
Bolt, hex, 5/16" x 3/4"	3	2417
Nut, lock, 5/16"	1	2868
Hose Clamp, 1-1/2"	4	146
Bolt 5/16" x 2 1/2"	1	3237

Options		
Description	Qty	Part #
Wind Deflector	1	1647K

5000ELUD



	Qty	Part #
5000ELUD System, Complete	1	161
A Pivot Arm (L), 1-1/4" x 8'	1	903
Pivot Arm (R), 1-1/4" x 8'	1	902
B Bent Arm extension (L), 1" sq.	1	905
Bent Arm extension (R), 1" sq.	1	904
C Rear Cross Piece, 1-1/4"sq.	1	2071
D Pivot Arm Bracket, underbody	2	2121
E Spring, underbody, 12"	2	1585
F Spring Mount Bracket, underbody	4	1586
G Pivot Arm Rest	2	952K
H Bearing Plate, Universal, Steel	2	3270
I Bearing, 3/4"	1	145
J Motor Direct Drive w/cover	1	61G
K Roller Bar, 1" dia., steal	1	121
Wire, 60', 8 gauge	1	89
L Rotary Switch	1	600



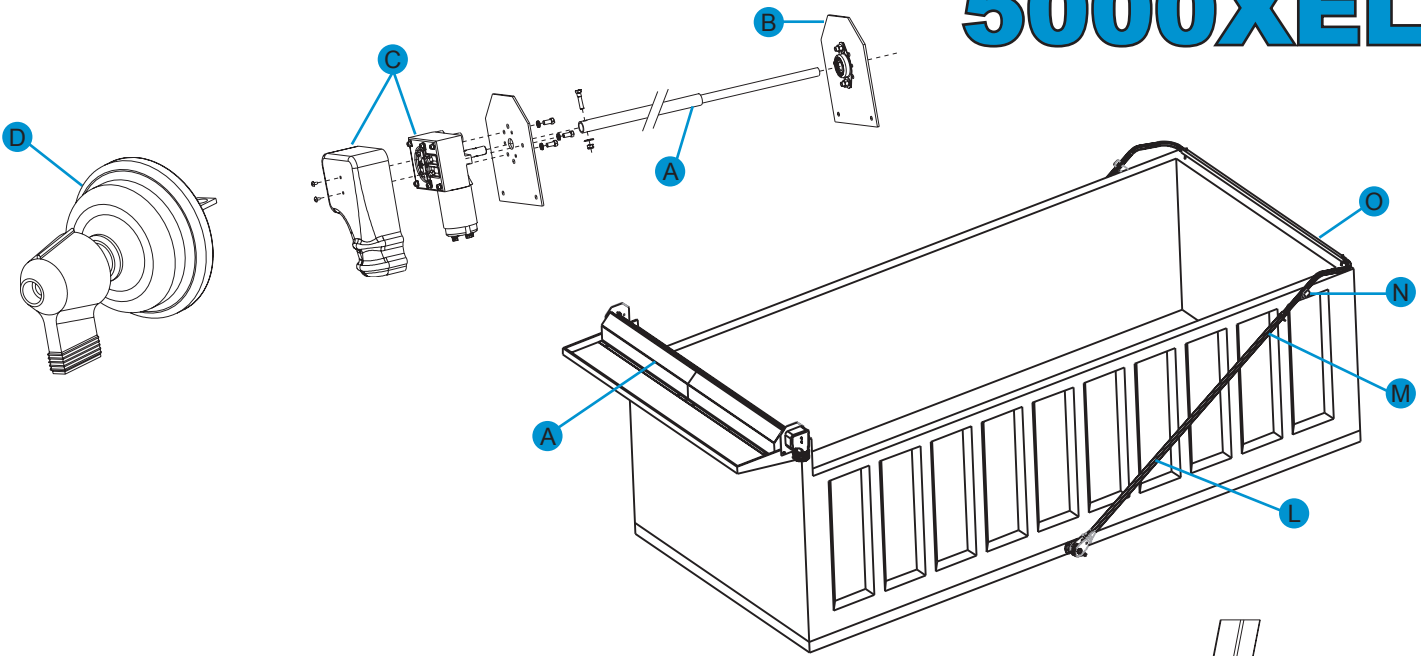
Mounting Hardware

Description	Qty	Part #
Bolt, hex, 3/8" x 1 1/2"	10	2464
Washer, flat, 3/8"	10	2875
Nut, lock, 3/8"	10	2874
Bolt, hex, 1/2" x 2 1/2"	2	287
Washer, flat, 1/2"	6	2878
Nut, lock, 1/2"	4	2877
Cotter Pin, 1/4" x 3"	4	2475
Screw, Sheet Metal #10	2	3709
Nut, lock, 5/16"	1	2868
Hose Clamp, 1-1/2"	4	146
Bolt, hex, 5/16" x 3/4"	3	2417
Bolt, hex, 5/16" x 2 1/2"	1	3237

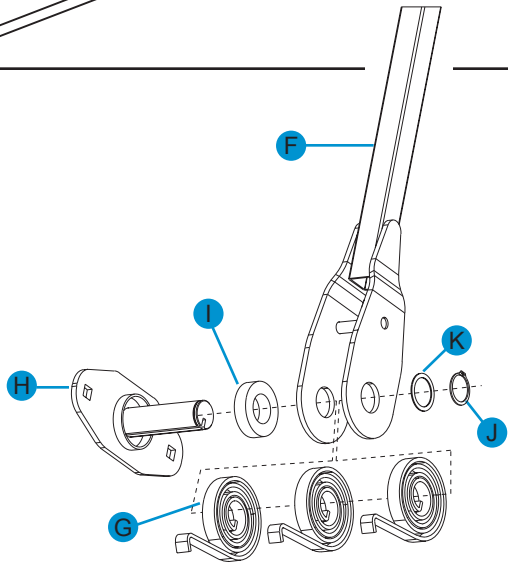
Options

Description	Qty	Part #
Aluminum Wind Deflector	1	1216K
Steel Wind Deflector	1	1647K

5000XEL



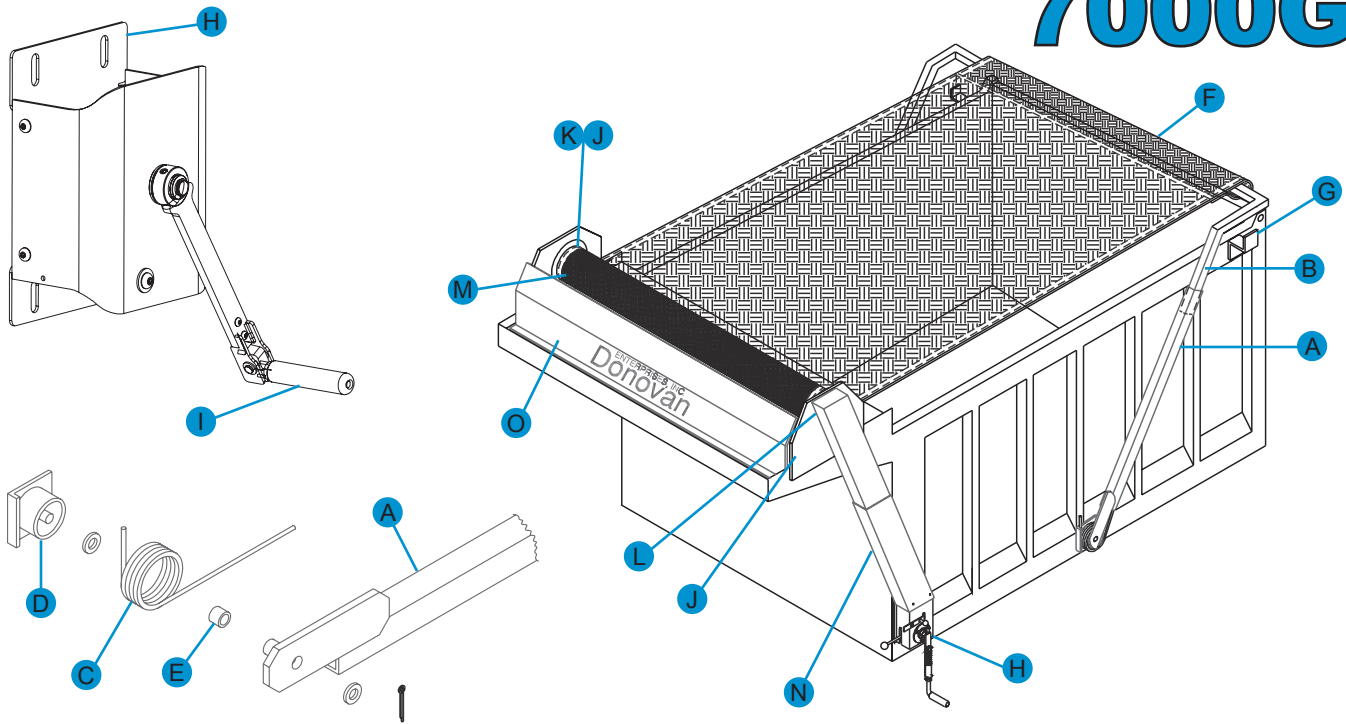
	Qty	Part #
5000XEL System, Complete	1	616
A Roller Bar, 1" dia.	1	121
B Bearing Plate w/ Bearing	1	3678
Bearing, 3/4"	1	145
Bearing Plate, Universal, Steel	1	3270
C Motor, Direct Drive w/ cover	1	61G
D Rotary Switch	1	600
Wire, 60', 8 gauge	1	89
Pivot Arm, lower,passenger side	1	615
F Pivot Arm 5000XL	1	4657
G Spring, Flat Coil, Torsion	3	2416
H Pivot Mount, Universal	1	4304
I Spacer, Pivot Mount	1	4676
J Ring, Retaining, 1 1/4"	1	2834
K Shim 1 1/4 x .047	1	2833
L Pivot Arm, lower,driver side	1	614
Pivot Arm 5000XL	1	4657
Spring, Flat Coil, Torsion	3	2416
Shim 1 1/4 x .047	1	2833
Ring, Retaining, 1 1/4"	1	2834
Pivot Mount, Universal	1	4304
Spacer, Pivot Mount	1	4676
M Pivot Arm, Upper, driver side	1	4668
Pivot Arm, Upper, passenger side	1	4669
N Pivot Arm Rest	2	952K
O Rear Cross Piece	1	4667



Mounting Hardware

Description	Qty	Part #
Bolt, hex, 3/8" x 1 1/2"	4	2464
Washer, flat, 3/8"	4	2875
Nut, lock, 3/8"	4	2874
Bolt, Carriage, 5/16" x 2 1/2"	2	3237
Washer, flat, 5/16"	2	2867
Nut, lock, 5/16"	2	2868
Bolt, hex, 5/16" x 3/4"	3	2418
Screw, Sheet Metal #10 x 3/4"	2	3709
Bolt, Carriage, 1/2" x 2"	4	4437
Washer, flat, 1/2"	4	2878
Nut, lock, 1/2"	4	2874
Cotter Pin, 1/4" x 2 1/2"	4	2475
1 1/2" Bolts		
Hose Clamps		

7000GL

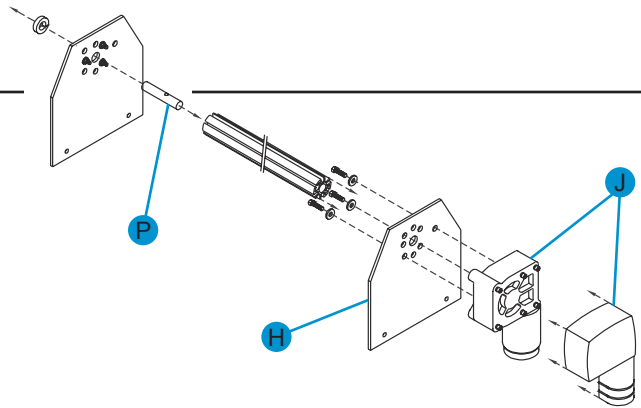
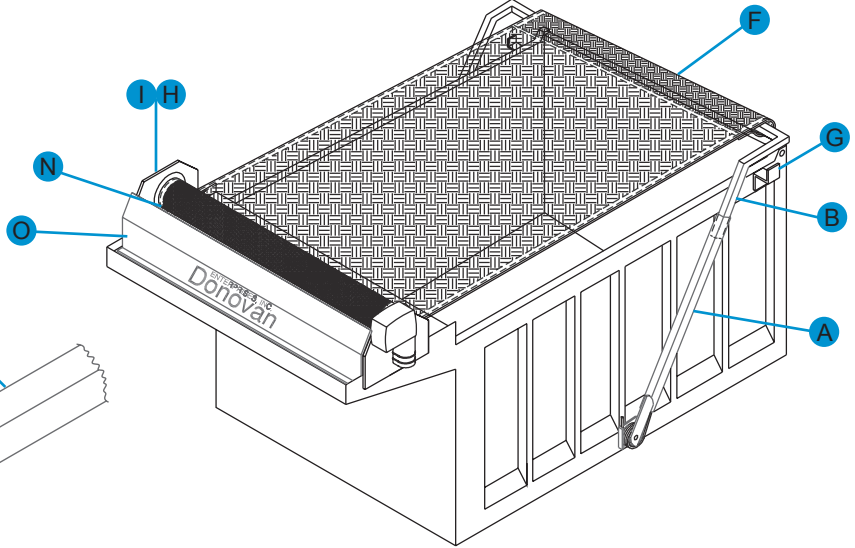
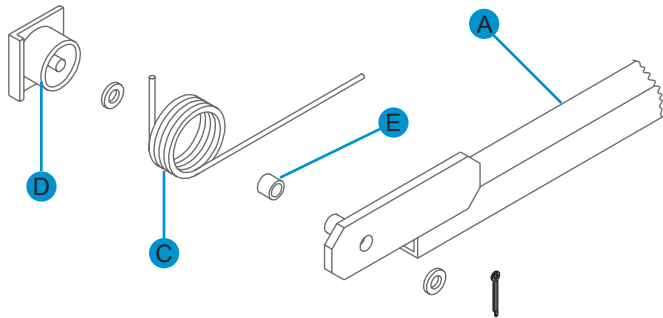
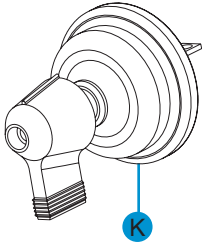


	Qty	Part #
7000GL System, Complete	1	1294
A Pivot Arm (L), 1-1/2" x 8'	1	1671
Pivot Arm (R), 1-1/2" x 8'	1	1669
B Bent Arm extension (L), 1 1/4" sq.	1	1344
Bent Arm extension (R), 1 1/4" sq.	1	1346
C Spring Torsion, 1/2", (L)	1	702
Spring Torsion, 1/2", (R)	1	263
D Pivot Mount 7000	2	781
E Bearing, oil impregnated, 1"	2	1665
F Rear Cross Piece	1	1348
G Pivot Arm Rest (Optional)	2	952
H GL Control Box, 7000/9000, Complete	1	1609
I Crank Handle	1	1000
Chain, #40 x 10'	1	793
Chain, Master Link, #40	1	272
J Bearing Plate, Universal	2	3270
K Bearing, Flange, 3/4"	2	145
L Shaft/Sprocket Assembly	1	2403
M Roller Bar, Aluminum	1	2365
N Chain Guard, Complete	1	2083
Chain Guard Upper	1	790
Chain Guard Lower	1	791
Chain Guard Bracket	3	1412
O Wind Deflector (2 piece), optional	1	1647K
Extension shaft, 3/4"	1	2838

Mounting Hardware

Description	Qty	Part #
Bolt, hex, 3/8" x 1 1/2"	11	2464
Washer, lock, 3/8"	4	2872
Nut, hex, 3/8"	4	2873
Bolt, hex, 1/4" x 5/8"	2	2432
Washer, lock, 1/4"	12	2458
Bolt, hex, 3/8" x 1/2"	2	4107
Nut, lock, 3/8"	9	2874
Screw self tap, 1/4" x 3/4"	12	3299
Cotter Pin, 1/4" x 3"	6	2475
Washer, flat, 3/8"	18	2875
Shaft Collar 3/4"	2	148
Washer 1", 2 1/2" OD	4	182
Nut, lock, 5/16"	2	2868
Bolt, carriage 5/16"x2 1/2"	2	3237
Washer, flat, 5/16"	2	2867

7000ELD

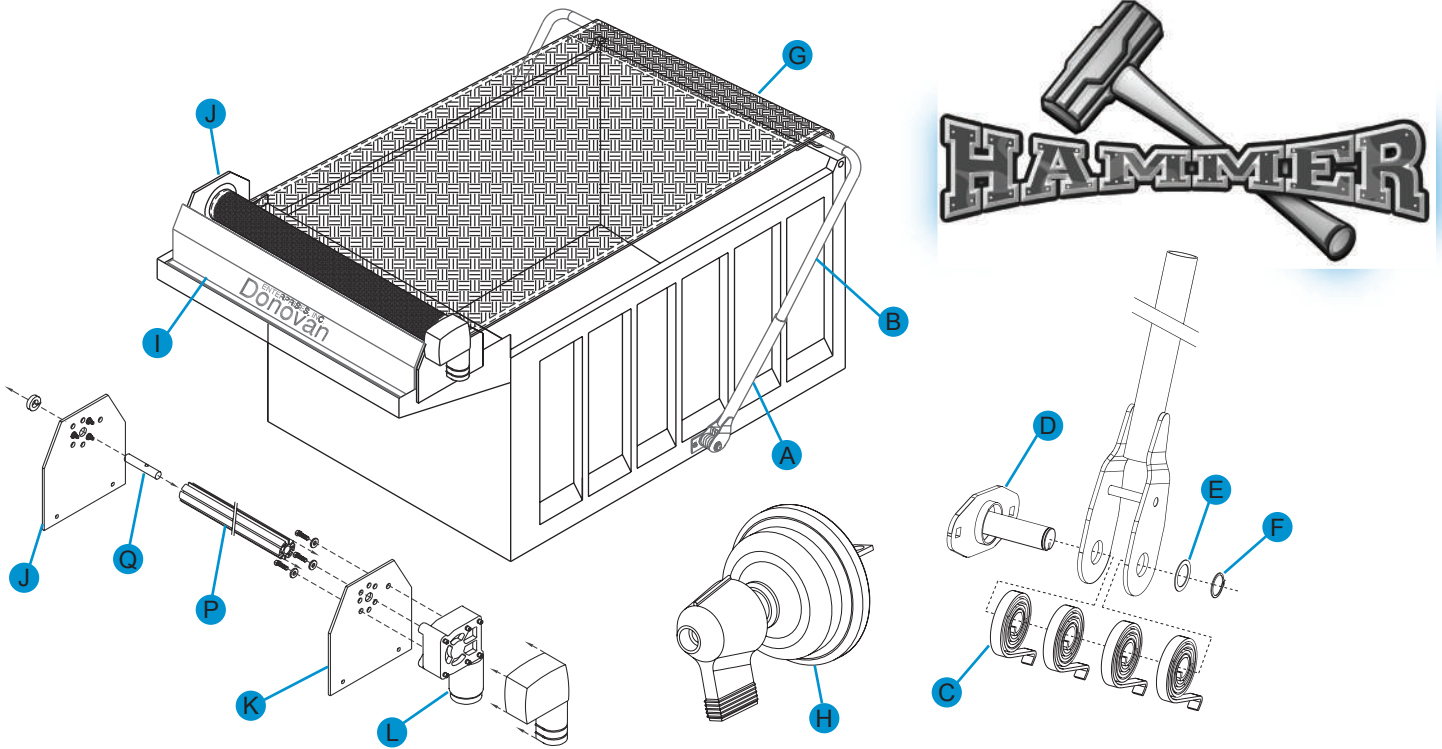


7000ELD System, Complete

	Qty	Part #
7000ELD System, Complete	1	35
A Pivot Arm (L), 1-1/2" x 8'	1	1671
Pivot Arm (R), 1-1/2" x 8'	1	1669
B Bent Arm extension (L), 1 1/4" sq.	1	1344
Bent Arm extension (R), 1 1/4" sq.	1	1346
C Spring Torsion, 1/2", (L)	1	702
Spring Torsion, 1/2", (R)	1	263
D Pivot Mount 7000	2	781
E Bearing, oil impregnated, 1"	2	1665
F Rear Cross Piece	1	1348
G Pivot Arm Rest (Optional)	2	952
H Bearing Plate, Universal	2	3270
I Bearing, Flange, 3/4"	2	145
J Motor, Direct Drive w/ cover	1	61G
K Rotary Switch	1	600
N Roller Bar, Extruded Aluminum	1	2365
O Wind Deflector (Optional)	1	1647K
P Extension shaft, 3/4" x 4"	1	2838

Mounting Hardware

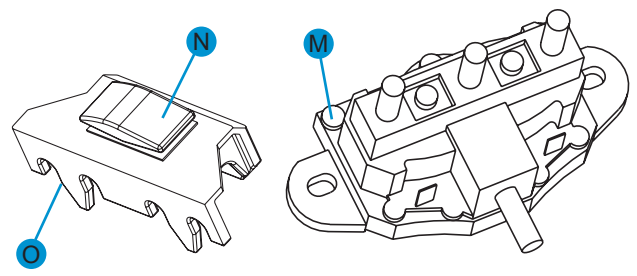
Description	Qty	Part #
Bolt hex, 3/8" x 1 1/2"	8	2464
Washer, lock, 3/8"	4	2872
Nut, lock, 3/8"	4	2874
Nut, lock, 5/16"	2	2868
Cotter Pin, 1/4" x 3"	6	2475
Screw, Sheet Metal #10x 3/4"	2	2476
Bolt, Hex, 5/16" x 3/4"	3	2418
Washer, flat, 3/8"	12	2875
Nut, Lock, 3/8"	4	2874
Washer, flat 1", 2 1/2" OD	4	182
Bolt, carriage, 5/16" x 2 1/2"	2	3237
Washer, flat 5/16"	2	2867
3/4" Shaft Collar	1	450

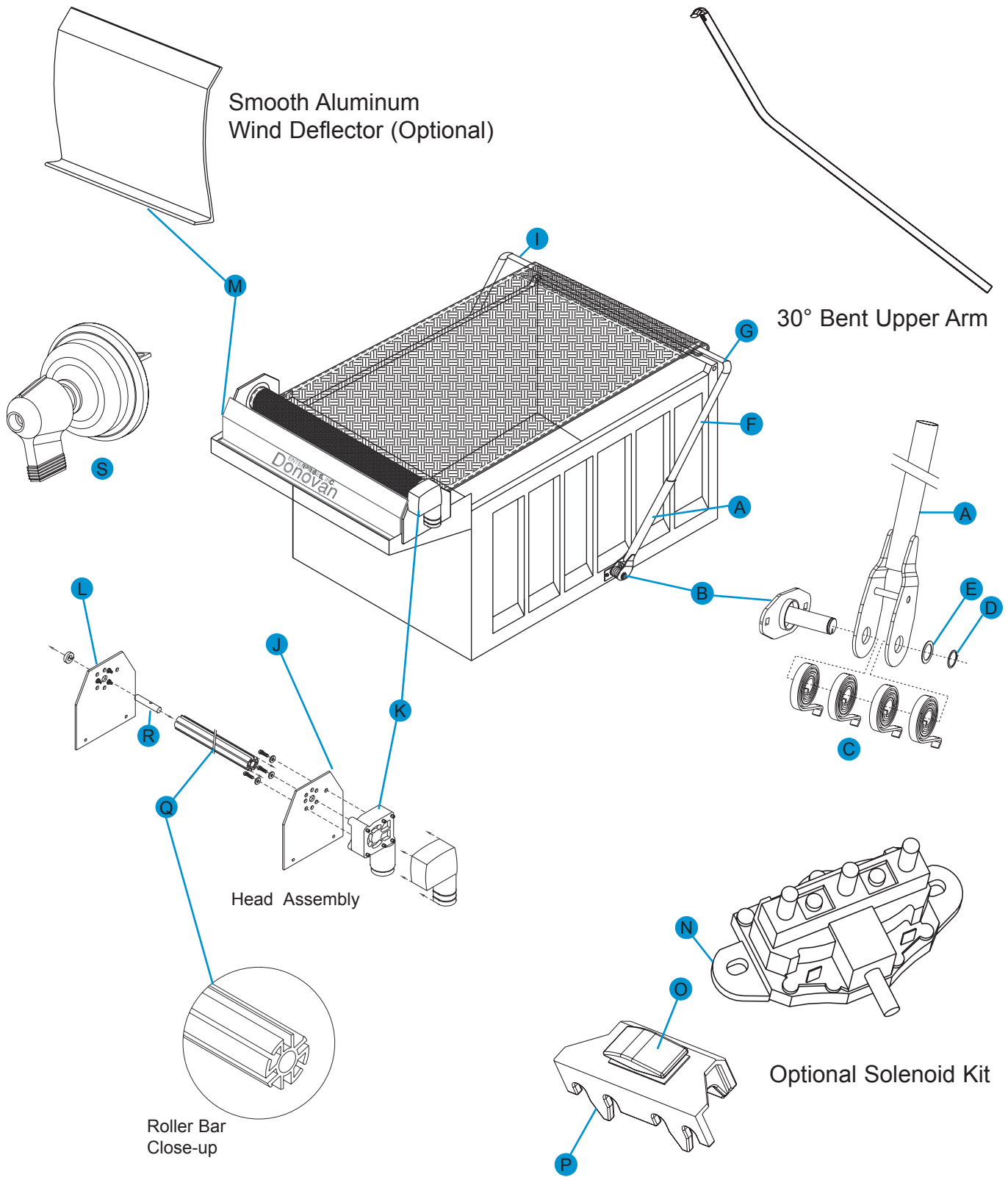


HAMMER System, Complete			Mounting Hardware		
	Qty	Part #	Description	Qty	Part #
A Pivot Arm, Lower Assy., 1.69"	1	2942	Bolt, hex, 3/8" x 1 1/2"	8	2464
B Pivot Arm, Upper, 1.315"	2	3688	Washer, flat, 3/8"	8	2875
C Spring, Coil Torsion	8	2416	Nut, hex lock, 3/8"	8	2874
D Pivot Arm Mounting Assy.	2	1787	Bolt, allen head, 1/4" x 1 1/4"	2	3954
E Shim, 1.25" x .047"	2	2833	Nut, tee, 1/4"	2	1915
F Retaining Ring	2	2834	Bolt, hex 1/2" x 1 1/2"	4	2883
G Rear Cross Piece, 1.69" round steel	1	3689	Washer, flat, 1/2"	4	2878
H Rotary Switch	1	600	Nut, hex lock, 1/2"	4	2877
J Universal Bearing Plate w/ bearing	1	3678	5mm Allen Wrench	1	3556
K Universal Bearing Plate	1	3270	Bolt, carriage, 5/16" x 2 1/2"	2	3237
L Motor Direct Drive	1	61G	Nut, hex lock, 5/16"	4	2868
Chrome Motor Cover	1	4278	Washer, flat, 1/2"	4	2867
Wire, 60', 8 gauge	1	89	Rubber Bumper	2	2948
P Roller Bar, aluminum	1	2365	5/16" x 1" Carriage Bolt	2	2460
Q Extension Shaft, 3/4" x 4"	1	2838	5/16" x 3/4" Bolt	3	2418
			Sheet metal screws #10 x 3/8"	2	3709
			3/4" Shaft Collar	1	450

Options

Description	Qty	Part #
Durabuilt Switch Kit	1	1495
40 Amp circuit breaker	1	1856
M Solenoid	1	1464
N Rocker Switch	1	1897
O Rocker Switch Bracket	1	1532
Pivot Arm Rest	2	3694K
I Wind Deflector (2 pieces)	1	1647K







Qty Part #

BULLET Aluminum System, Complete

Part # 2858, 2858A-1, 2858-GL

	Pivot Arm, L/H, Lower Assembly	1	8001
A	Pivot Arm, L/H, Lower	1	3211
B	Pivot Arm Mounting Assy., L/H	1	1787
C	Spring, Flat Coil, Torsion	4	2416
D	Ring, Retaining, 1 1/4"	1	2834
E	Shim, 1 1/4" x .047"	1	2833
	Pivot Arm, R/H, Lower Assembly	1	8002
	Pivot Arm, R/H, Lower	1	3211
	Pivot Arm Mounting Assy., R/H	1	1787
	Spring, Flat Coil, Torsion	4	2416
	Ring, Retaining, 1 1/4"	1	2834
	Shim, 1 1/4" x .047"	1	2833
	Pivot Arm, L/H, Upper, w/90 Elbow	1	3244
F	Pivot Arm, Upper, 100", Alum.	1	3279
G	Elbow, 90 degree	1	2842D
	Pivot Arm, R/H, Upper, w/90 Elbow	1	3245
	Pivot Arm, Upper, 100", Alum.	1	3279
	Elbow, 90 degree	1	2842D
I	Rear Cross Piece, 100"	1	3279
	Bearing Plate, Direct Drive, w/ Motor	1	8003
J	Bearing Plate Universal	1	3221
K	Motor, Direct Drive	1	61G
	Chrome Motor Cover	1	4278
L	Bearing Plate, R/H, Assy.	1	8004
	Bearing Plate Universal	1	3270Z
	Bearing, 3/4" w/ collar	1	1752
	Wire, 60', 8 gauge	1	89
Q	Roller Bar, Aluminum	1	2365
	Rubber Tarp Stops	2	3771N
R	Extension Shaft, 3/4" x 4"	1	2838
S	Rotary Switch	1	600

Pivot Assembly Hardware

Description	Qty	Part #
Bolt, hex, 3/8" x 1 1/2"	8	2464
Washer, flat, 3/8"	8	2875
Nut, hex lock, 3/8"	8	2874
Bolt, allen head, 1/4" x 1 1/4"	4	1914
Nut, tee, 1/4"	4	1915
Bolt, carriage 1/2" x 1 1/2"	4	4437
Washer, flat, 1/2"	4	2878
Nut, hex lock, 1/2"	4	2877
5mm Allen Wrench	1	3556

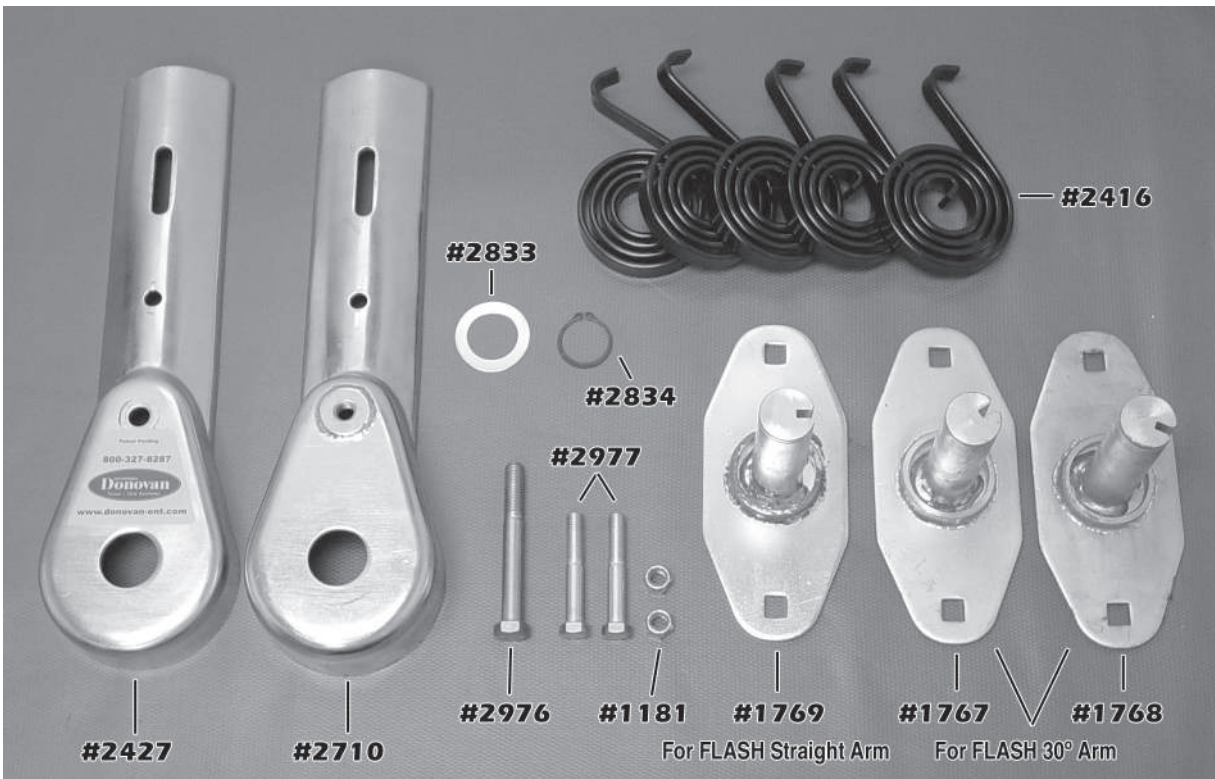
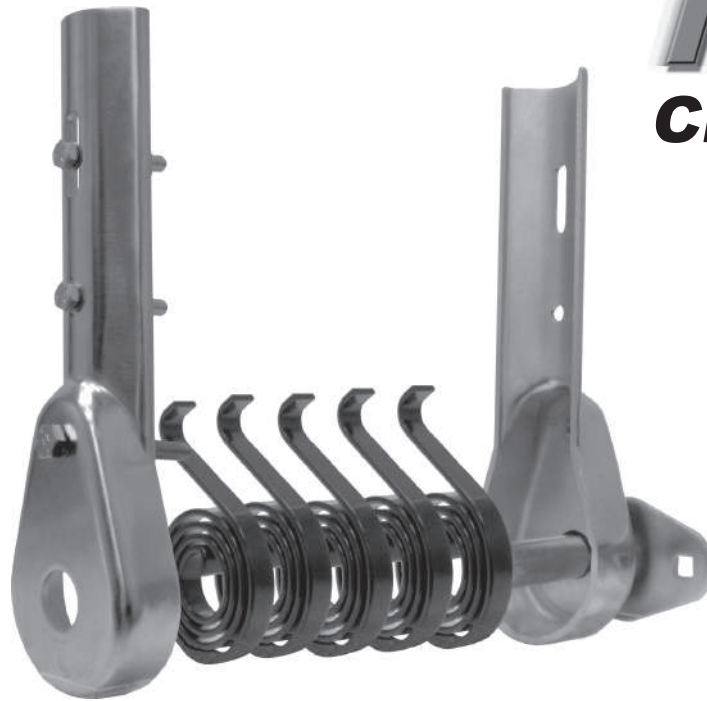
Head Assembly Hardware

Description	Qty	Part #
Shaft Extension, 3/4" x 4"	1	2838
Bolt, hex, 3/8" x 1 1/2"	8	2464
Washer, flat, 3/8"	8	2875
Nut, hex lock, 3/8"	8	2874
Bolt, carriage, 5/16" x 2 1/2"	2	3237
Nut, hex lock, 5/16"	2	2868
Washer, flat, 5/16"	2	2867
Bolt, hex, 5/16" x 3/4"	3	2418
Screw, Sheet metal #10 x 3/4"	2	3709

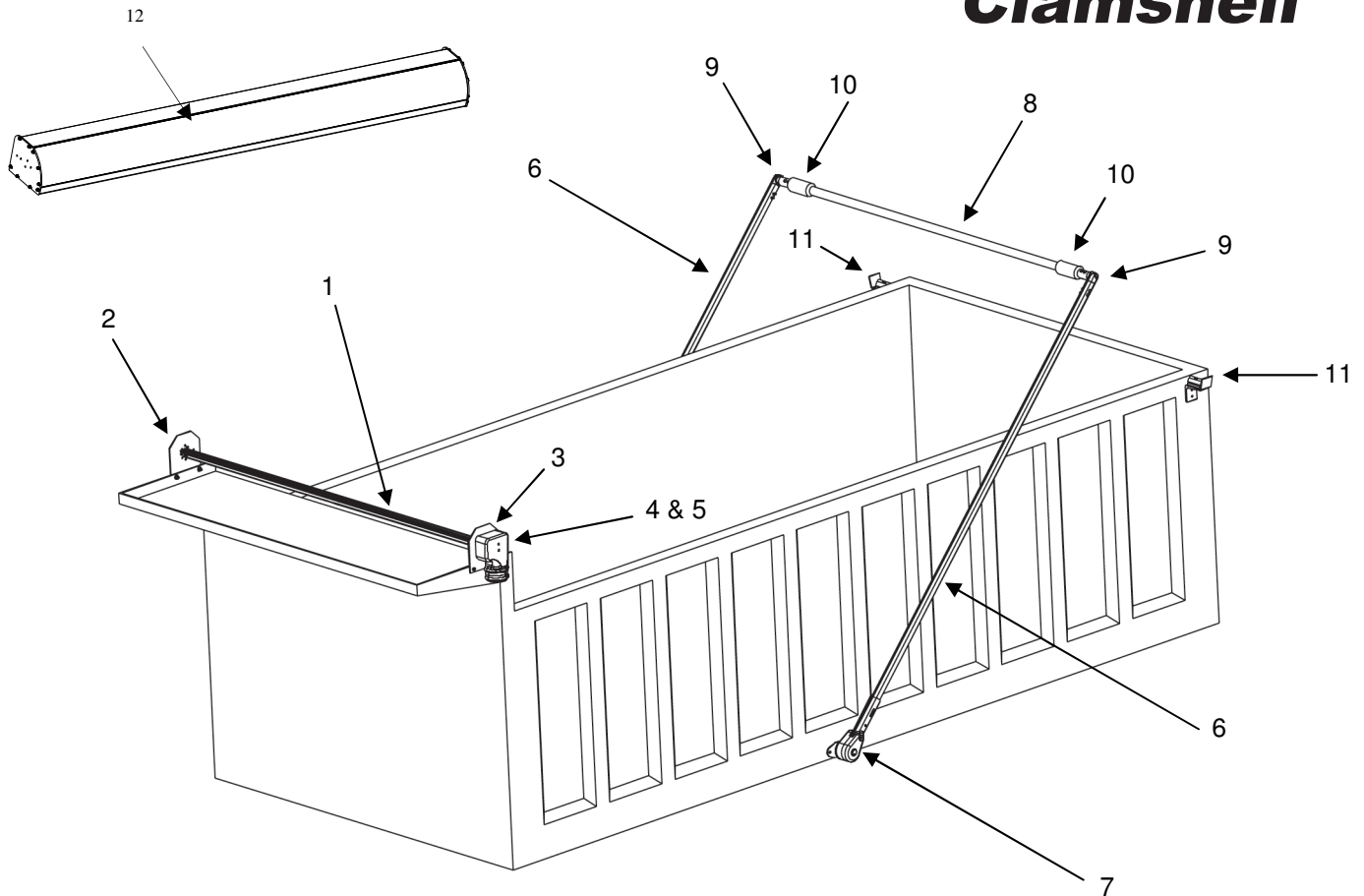
Optional

Bullett with 30° Bent Arm	Qty	Part #
Pivot Arm, L/H, Upper,	1	1190
Pivot Arm, R/H, Upper,	1	1191
Bolt, Allen Head, 1/4" x 1 1/2"	4	1914
Nut, tee, 1/4"	4	1915
Pivot Arm Mount R/H offset	1	1729
Pivot Arm Mount L/H offset	1	1730
H Pivot Arm Rest Assembly	2	3218B
Pivot Arm Rest	2	3361
Bumper, Rubber	2	2948
M Wind Deflector, Aluminum	1	1216K
Durabuilt Switch Kit	1	1495
40 Amp circuit breaker	1	1856
N Solenoid	1	1464
O Rocker Switch	1	1897
P Rocker Switch Bracket	1	1532

Flash Clamshell



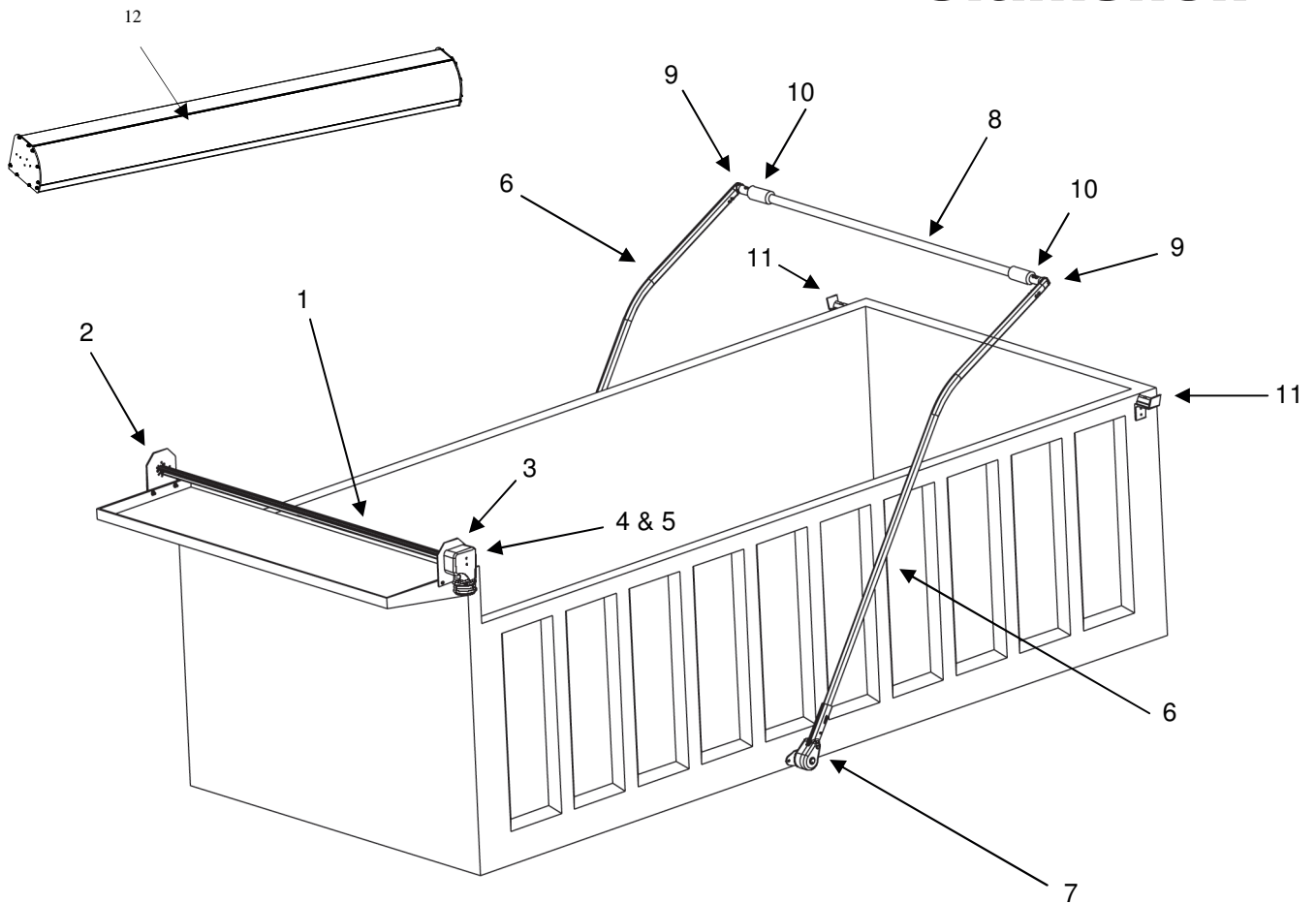
Flash Clamshell



Flash Clamshell - Straight Arm

NUMBER	PART #	DESCRIPTION
1	2365	Aluminum Roller Bar Assembly
2	3678Z	Bearing Plate with Bearing
3	3270Z	Bearing Plate
4	61G	12 Volt. Motor with cover
5	4278	12 Volt. Motor Cover
6	1473	150" Pivot Arm Straight
7	2984	Clamshell Spring Enclosure with Pivot Mount (set)
8	1076	Rear Cross Piece
9	1888	90° Die Cast Elbow
10	2285	Rubber Bumper Kit with Hardware (6")
11	3218B	Arm Rest Kit (Optional)

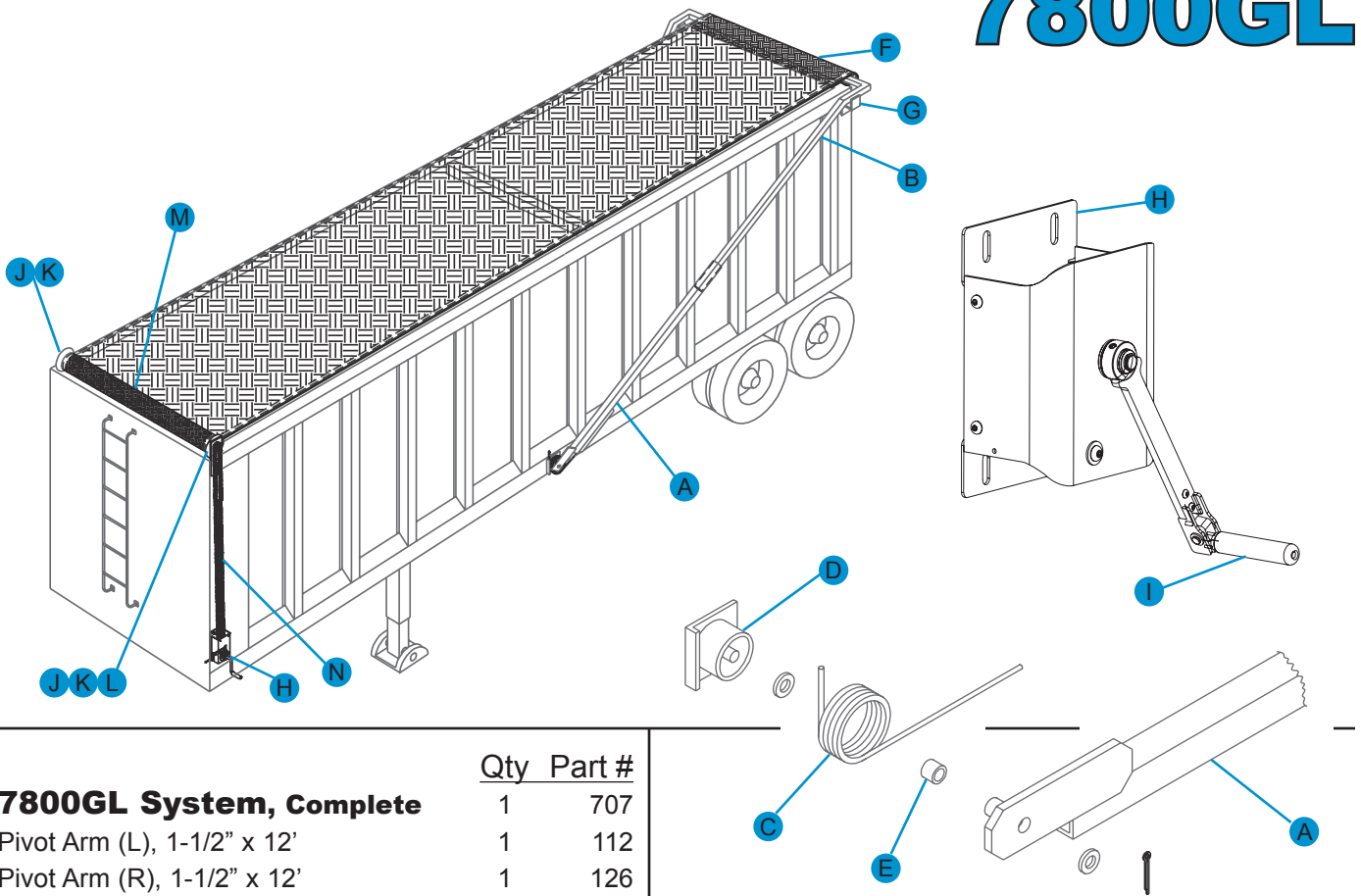
Flash Clamshell



Flash Clamshell - 30° Bend Arm

NUMBER	PART #	DESCRIPTION
1	2365	Aluminum Roller Bar Assembly
2	3678Z	Bearing Plate with Bearing
3	3270Z	Bearing Plate
4	61G	12 Volt. Motor with cover
5	4278	12 Volt. Motor Cover
6	1700	30° Bent Pivot Arm
7	2984-30	Clamshell Spring Enclosure with Pivot Mount (set)
8	1076	Rear Cross Piece
9	1888	90° Die Cast Elbow
10	2285	Rubber Bumper Kit with Hardware (6")
11	3218B	Arm Rest Kit (Optional)

7800GL



7800GL System, Complete

	Qty	Part #
A Pivot Arm (L), 1-1/2" x 12'	1	707
Pivot Arm (R), 1-1/2" x 12'	1	126
B Straight Arm Extension, 1 1/4" x 5'	2	1360
C Spring Torsion, 5/8", (L)	1	427
Spring Torsion, 5/8", (R)	1	537
D Pivot Mount 7800	2	1478
E Bearing, oil impregnated, 1"	2	1665
F Rear Cross Piece	1	1348
H GL Control Box, 7000/9000, Complete	1	1609
I Handle Crank	1	1000
Chain, #40 x 14'	1	1115
Chain, Master Link, #40	1	272
J Bearing Plate, Universal	2	3270
K Bearing, Flange, 3/4"	2	145
L Sprocket 40-B-36 x 3/4"	1	285
Shaft 3/4" x 14"	1	579
M Roller Bar, Extruded Aluminum	1	2365
N Chain Guard, Complete	1	2083
Chain Guard Upper	1	790
Chain Guard Lower	1	791
Chain Guard Bracket	3	1412
3/4" Extension shaft	1	2838

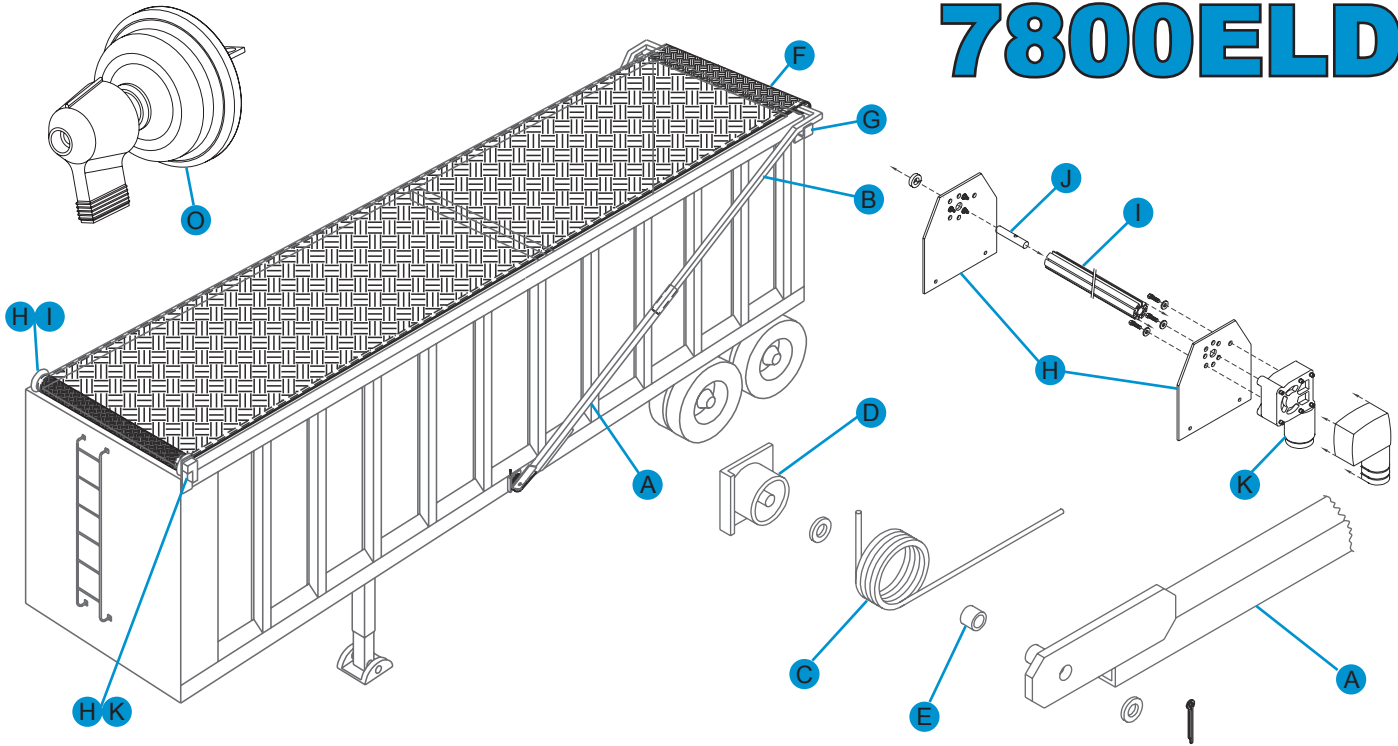
7800GL System, Options

G Pivot Arm Rests	2	952
Steel Wind Deflector	1	1647
Aluminum Wind Deflector	1	1216

Mounting Hardware

Description	Qty	Part #
Bolt, hex, 3/8" x 1 1/2"	8	2464
Washer, lock, 3/8"	4	2872
Nut, hex, 3/8"	4	2873
Bolt, hex, 1/4" x 1/2"	2	1911
Washer, lock, 1/4"	12	2458
Bolt, hex, 3/8" x 1/2"	3	1913
Nut, lock, 3/8"	7	2874
Screw self tap, 1/4" x 3/4"	12	3299
Cotter Pin, 1/4" x 3"	6	2475
Washer, flat, 3/8"	18	2875
Shaft collar, 3/4"	2	148
Washer, flat, 5/16"	2	2867
Washer, flat, 1"(21/2" OD)	4	182
Nut, lock, 5/16"	2	2868
Bolt, Carriage, 5/16" x 21/2"	2	3237

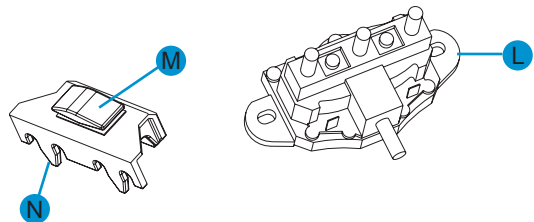
7800ELD

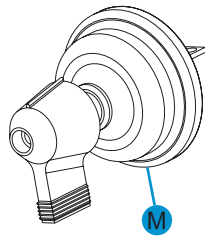


	Qty	Part #
7800ELD System, Complete	1	754
A Pivot Arm (L), 1-1/2" x 12"	1	112
Pivot Arm (R), 1-1/2" x 12"	1	126
B Straight Arm extension, 1 1/4" x 5"	2	1360
C Spring Torsion, 5/8", (L)	1	427
Spring Torsion, 5/8", (R)	1	537
D Pivot Mount 7800	2	1478
E Bearing, oil impregnated, 1"	2	1665
F Rear Cross Piece, 96"	1	1348
G Pivot Arm Rest	2	952
Bearing Plate, Universal	2	3270
H Bearing, Flange, 3/4"	1	145
I Roller Bar, Extruded Aluminum	1	2365
J Extension Shaft, 3/4" x 4"	1	2838
Trailer Connector (male & female)	1	3848
O Rotary Switch	1	600
K Motor, Direct Drive w/ cover	1	61G
Wire, 25', 8 gauge	1	2141
Wire Conversion Kit, 4 gauge, 90'	1	1443K

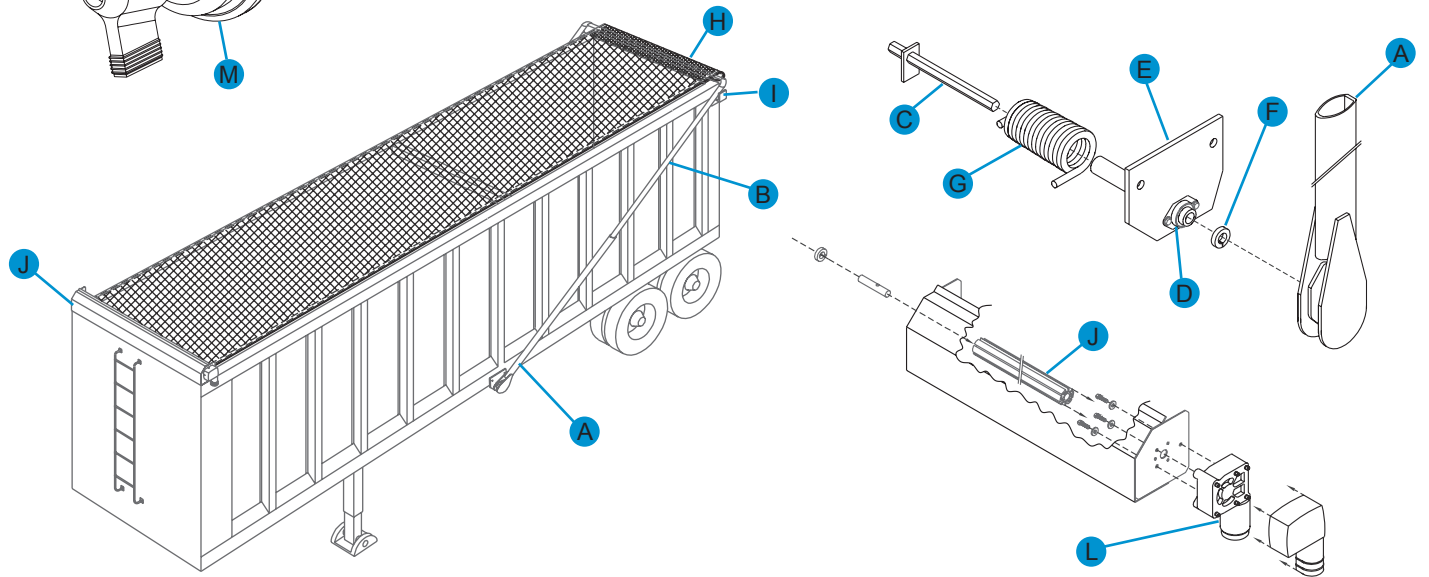
Mounting Hardware		
Description	Qty	Part #
Bolt, hex, 3/8" x 1 1/2"	8	2464
Washer, lock, 3/8"	8	2872
Nut, hex, 3/8"	8	2873
Nut, lock, 5/16"	1	2868
Cotter Pin, 1/4" x 3"	6	2475
Washer, flat 3/8"	12	2875
Nut, lock, 3/8"	4	2874
Bolt, Carriage, 5/16" x 2 1/2"	2	3237
Washer, flat 5/16"	2	2867
Shaft collar, 3/4"	1	40
Washer, flat 1" (21/2OD)	4	182
Bolt, hex, 5/16" x 3/4"	3	2418
Screw, Sheet Metal #10 x 3/8"	2	3709

7800ELD System, Options		
L Solenoid	1	1464
M Rocker Switch	1	1897
N Rocker Switch Bracket	1	1532
Pivot Arm Rests	2	952
Steel Wind Deflector	1	1647
Aluminum Wind Deflector	1	1216





BULLET Trailer



	Qty	Part #
BULLET Trailer System, Complete	1	2937
A Pivot Arm, L/H, Lower Assembly	1	3944
Pivot Arm, R/H, Lower Assembly	1	3945
B Pivot Arm, L/H, Upper, w/90 Elbow	1	3947
Pivot Arm, R/H, Upper, w/90 Elbow	1	3948
Underbody Spring Assembly L/H	1	8008
Underbody Spring Assembly R/H	1	8009
C Spring Shaft Welded Assembly	2	3657
Spring Stop	2	3662
D Lutco 7/8" Hex Bearing	2	3346
E Pivot Mounting Plate Assembly, Underbody	2	3658
F 1" Split Shaft Collar	2	41
G Spring, 20 coil, Underbody L/H	1	3383
Spring, 20 coil, Underbody R/H	1	3384
H Rear Cross Piece, 100"	1	3279
I Pivot Arm Rest	2	3218
J Roller Bar Extruded Aluminum	1	2365
Rubber Tarp Stops	2	3771N
Trailer Plug Set	1	3848
M Rotary Switch	1	600
L Motor, Direct Drive w/ cover	1	61G
Wire, 25', 8 gauge	1	2141
Contact Plate Kit	1	1379A
Bearing Plate	1	3270Z
Bearing Plate	1	3678Z

Bullet Trailer System, Options

Aluminum Wind Deflector	1	1216
-------------------------	---	------

Pivot Arm Rests

Description	Qty	Part #
Bolt, Hex 3/8" x 1 1/2"	4	2464
Lock Nuts 3/8"	4	2874
Washer, Flat 3/8"	4	2875

Housing Assembly Hardware

Description	Qty	Part #
Shaft Extension 3/4" x 4"	1	2838
3 Bolt, Flange Bearing	1	1752
Shaft Collar 3/4"	1	450
Carriage Bolt 5/16" x 2 1/2"	2	3237
Lock Nut 5/16"	2	2868
Washer Flat 5/16"	2	2867
Bolt, Hex 1/4" x 3/4"	3	2421
Lock Nut 1/4"	3	2316
Bolt, Hex 5/16" x 3/4"	3	2418
Screw, Sheet Metal #10 x 3/4"	3	2418

Pivot Mount Hardware

Description	Qty	Part #
Bolt, Hex 1/2" x 2 1/2"	4	287
Washer Flat 1/2"	4	2878
Lock Nut 1/2"	4	2877

Upper Arm to Rear Cross Piece Hardware

Description	Qty	Part #
Bolt, Shoulder 1/4" x 1 1/4"	4	1814
Nuts, Tee 1/4"	4	1915

LONG ARM JR.

ITEM #	BALLOON	DESCRIPTION	QTY.
4278	2	MOTOR COVER	1
61G	3	MOTOR	1
3023 / 3032	4	102" or 96" HOUSING SHELL	1
2365	5	EXTRUDED ROLLER BAR	1
1752R	6	3/4" ID BEARING	1
2838	7	3/4" EXTENSION SHAFT	1
1076	8	REAR CROSS BAR	1
1888	9	90° ALUMINUM DIE CAST ELBOW	2
3218B	10	PIVOT ARM REST	2
1166	11	DRIVER'S SIDE SPRING ASSEMBLY	1
1165	11	PASSENGER'S SIDE SPRING ASSEMBLY	1
1854	12	HOUSING BRACKET	2
2780	13	UNDERBODY MOUNT PLATE	2
2795	14	SPRING LEVER WELDMENT	2
1037	15	DRIVER'S SIDE SPRING (22 Coil)	1
1039	15	PASSENGER'S SIDE SPRING (22 Coil)	1
2784	16	RETENTION PLATE WELDMENT	2
3346	17	BEARING	2
1167	18	SHAFT ASSEMBLY	2
1172	19	ARM EXTRUSION	2
3017	20	SHIM PLATE	2
2141	NOT SHOWN	ROLL OF TWO CONDUCTOR WIRE	1
85N	NOT SHOWN	ROTARY SWITCH KIT	1
1379A	NOT SHOWN	CONTACT PLATE	1
3848	NOT SHOWN	HEAVY DUTY TRAILER CONNECTOR	1

HOUSING ASSEMBLY AND BRACKET HARDWARE

2705	NOT SHOWN	1/2" - 13 X 2 1/2" BOLTS	6
2735	NOT SHOWN	1/2" - 13 X 2" BOLTS	4
2878	NOT SHOWN	1/2" FLAT WASHER	10
2877	NOT SHOWN	1/2" - 13 LOCK NUT	10

PIVOT MOUNT PLATE HARDWARE

2705	NOT SHOWN	1/2" - 13 X 2 1/2" BOLTS	4
2878	NOT SHOWN	1/2" FLAT WASHER	4
2877	NOT SHOWN	1/2" - 13 LOCK NUT	4

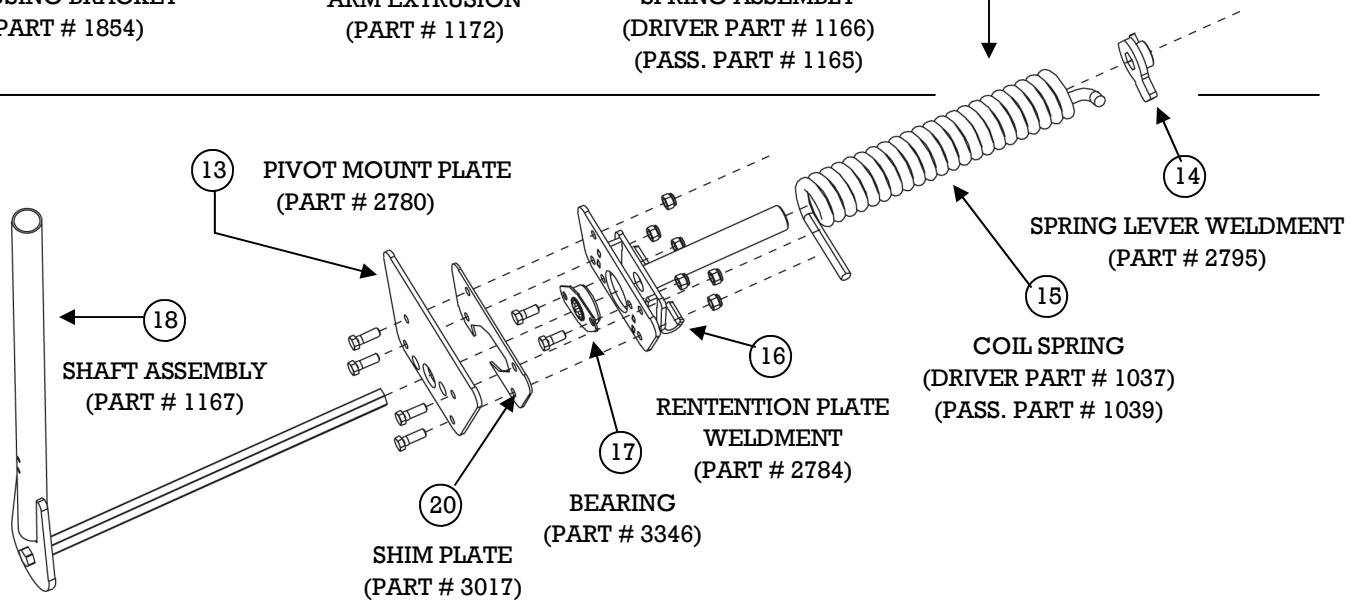
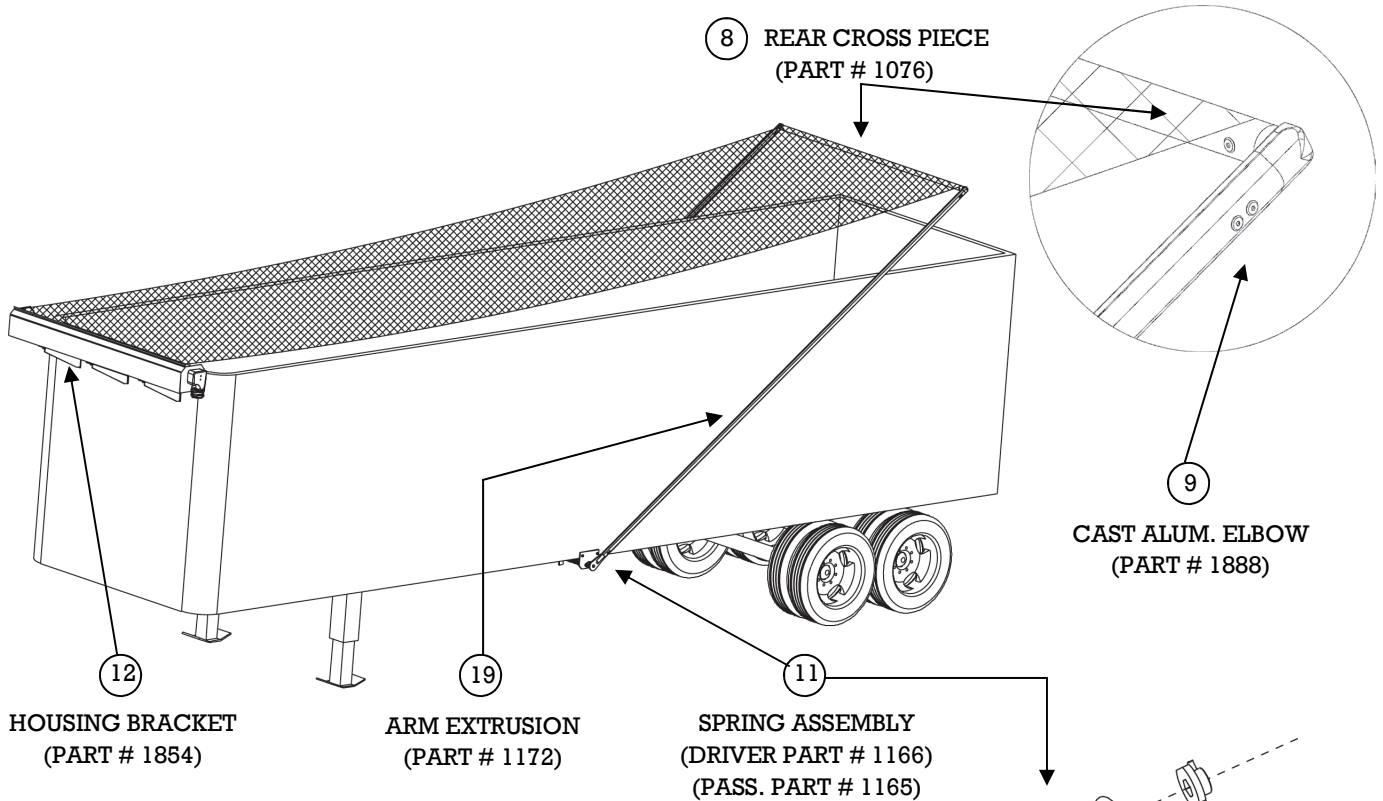
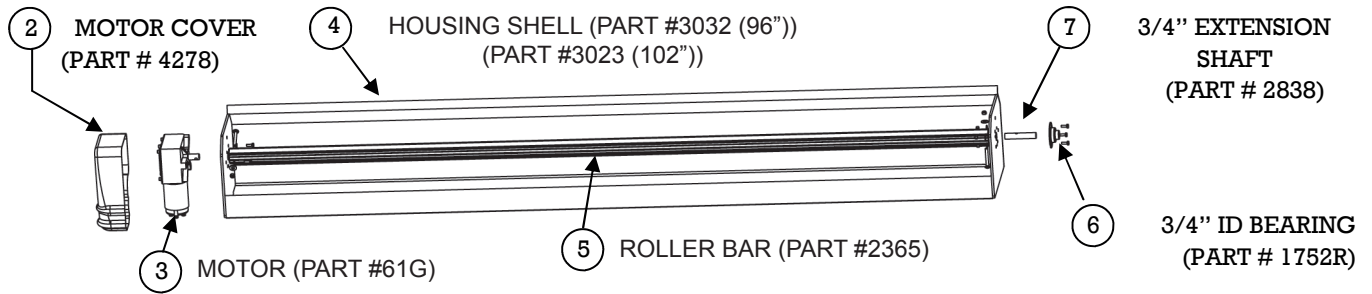
EXTRUDED ARM TO SHAFT ASSEMBLY HARDWARE

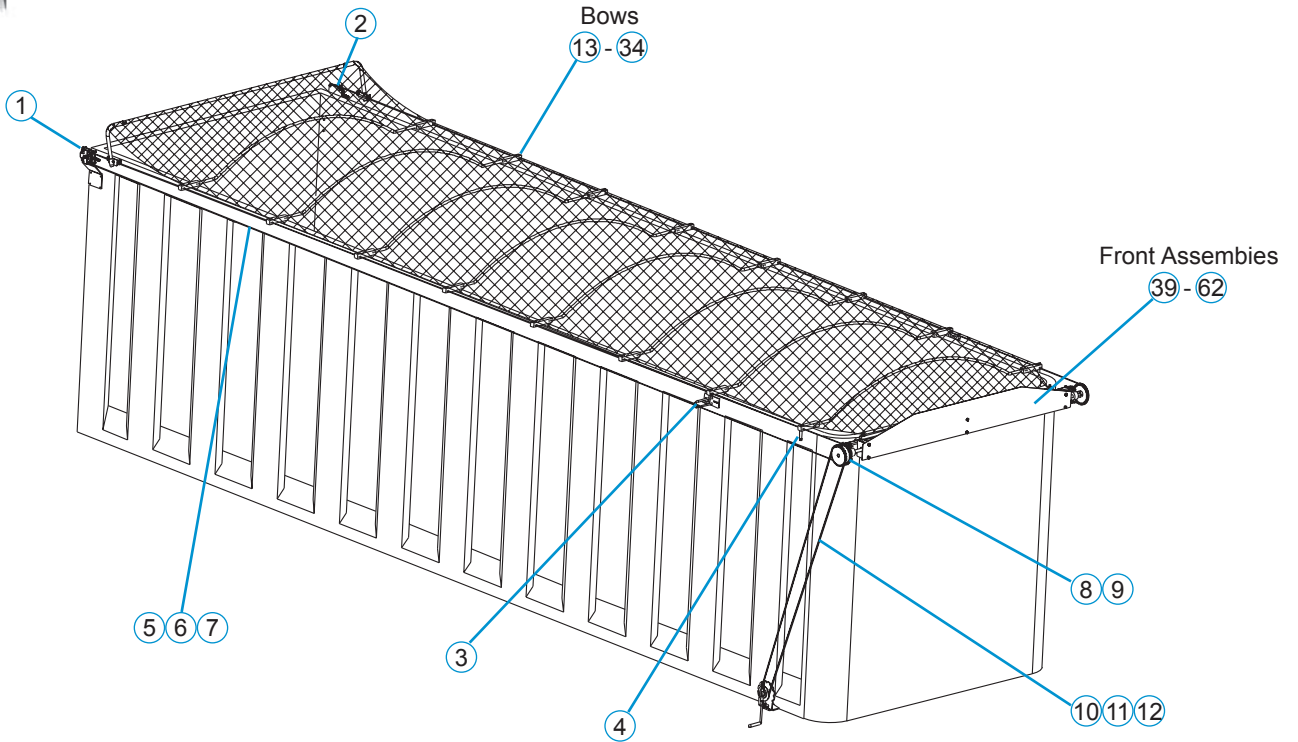
989	NOT SHOWN	5/16" - 18 X 2 1/2" PAN HEAD BOLT	4
2868	NOT SHOWN	5/16" LOCK NUT	4

UPPER BENT TUBE TO EXTRUDED ARM AND REAR CROSS PIECE HARDWARE

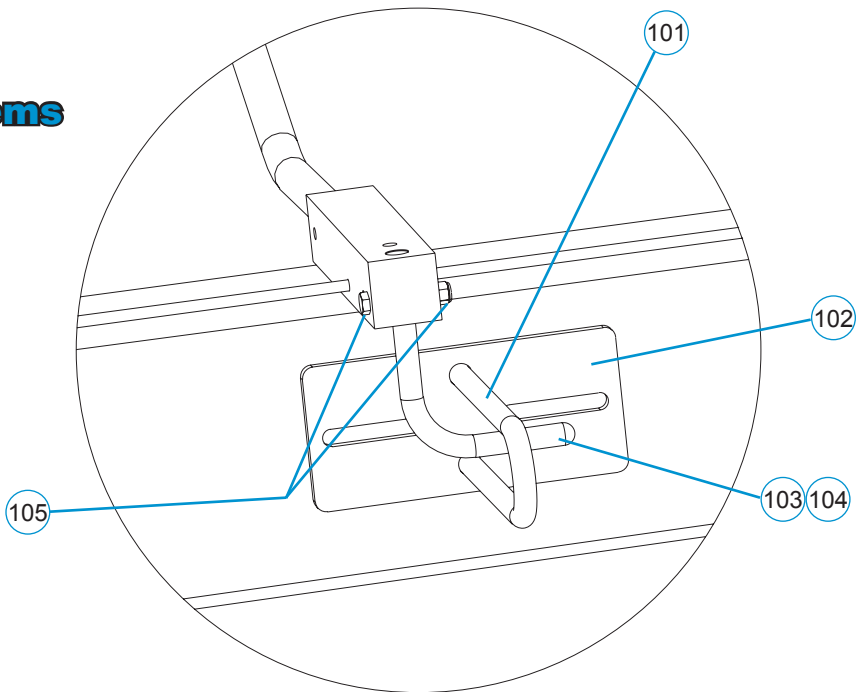
1917	NOT SHOWN	1/4" - 20 X 1 7/8" 'T' BOLT	6
1915	NOT SHOWN	1/4" - 20 X 7/16" 'T' NUT	6

LONG ARM JR.





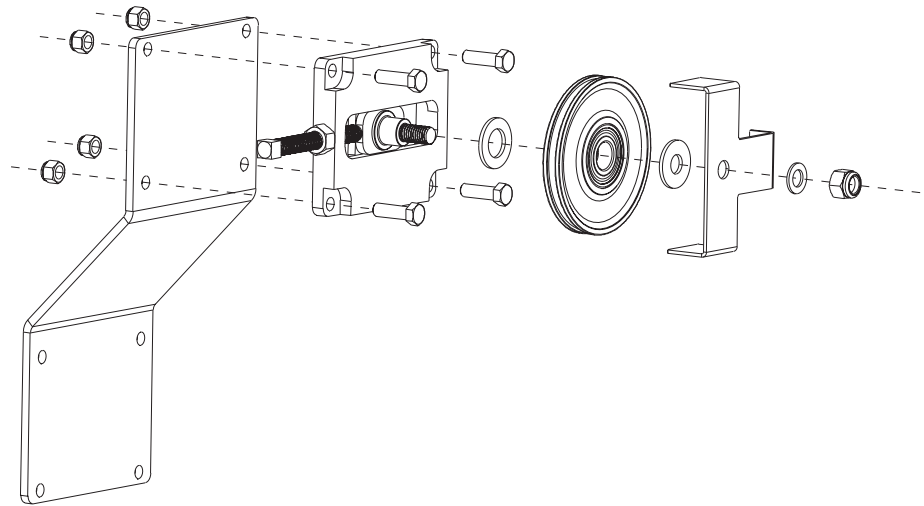
Anti-Lift Kit ③
Semi-Waterproof or Vinyl Anti-Pollution Systems



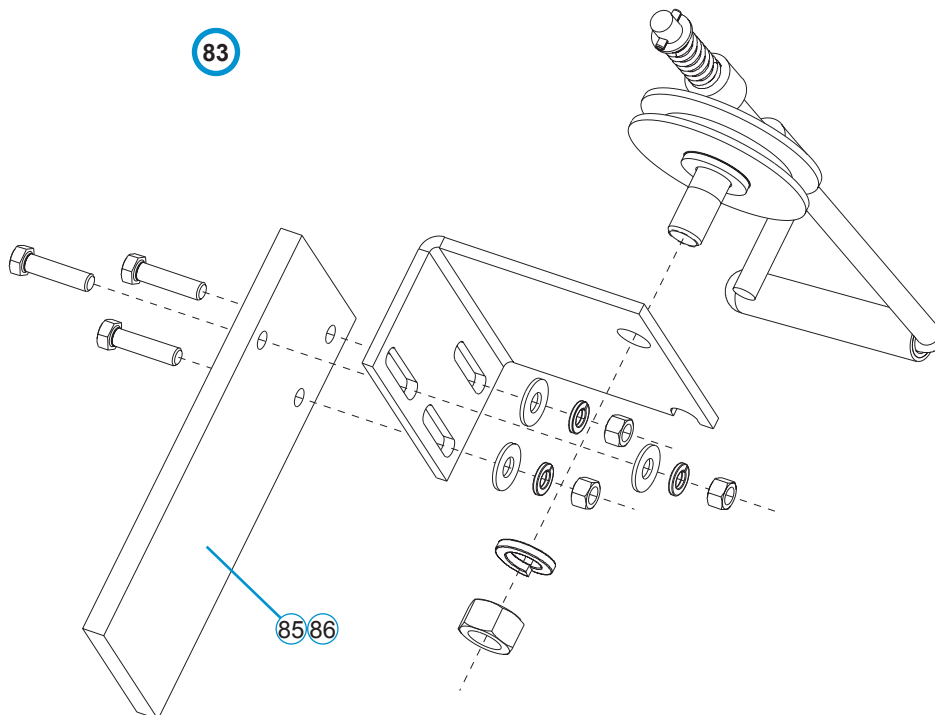


Rear Pulley

- ① Driver's Side
- ② Passenger Side



V-Belt Handle Assembly



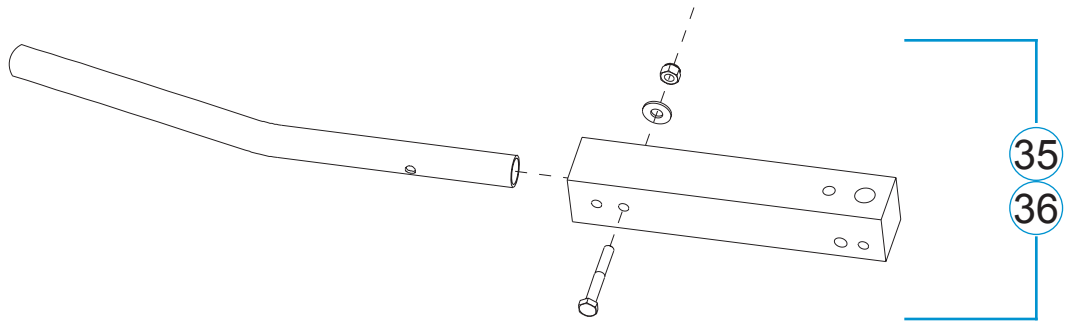


Complete Bows

13 - 20

Steel Tube for Bows

21 - 28



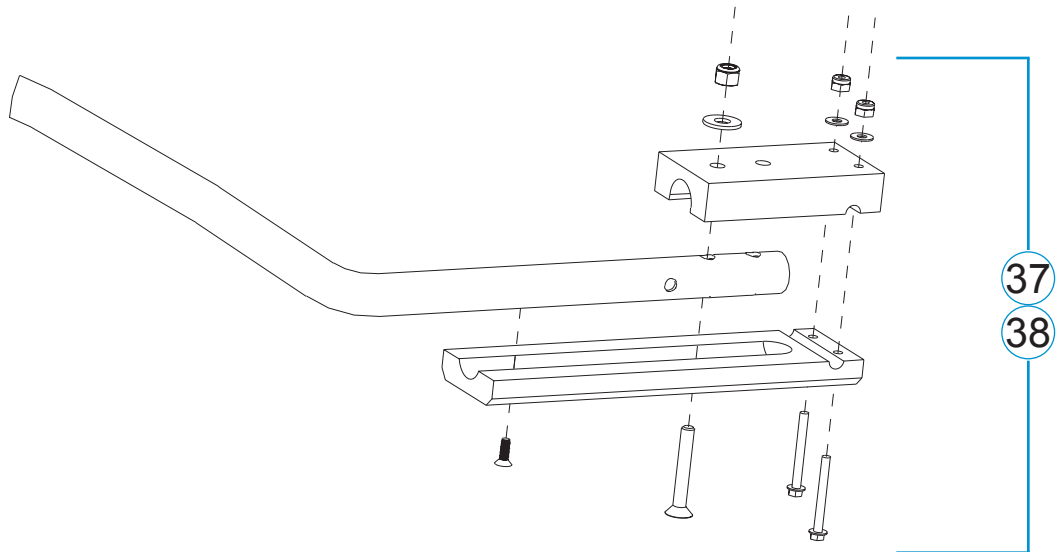
**Bows
With Semi-Removable
Bow Ends**

Complete Bows

29 - 32

Steel Tube for Bows

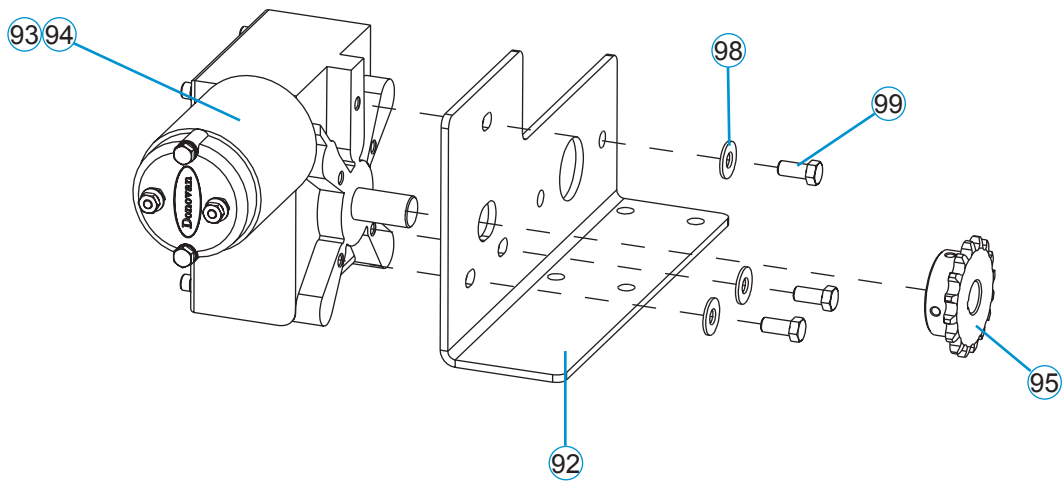
33 - 34



**Bows
With Removable Bow Ends**

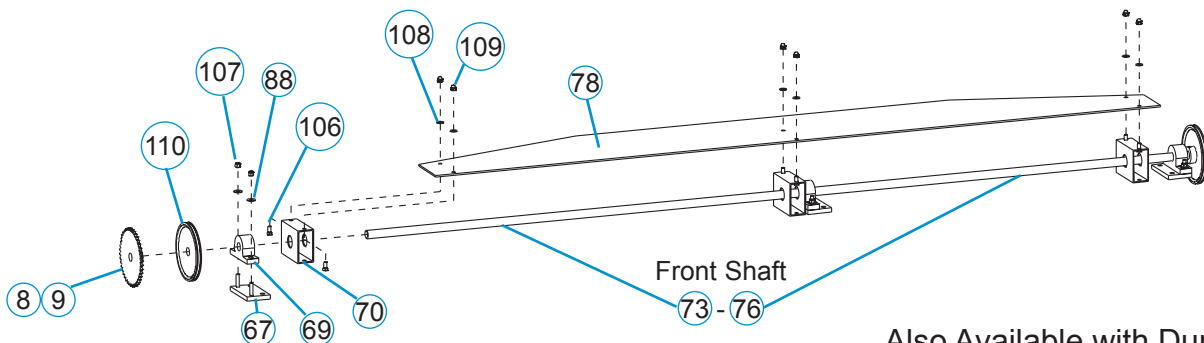


Motor Assembly (91) - (100)



Front Assembly
Square Front Trailers

All Front Assemblies Listed by Width and Drive Option
(39) - (50)

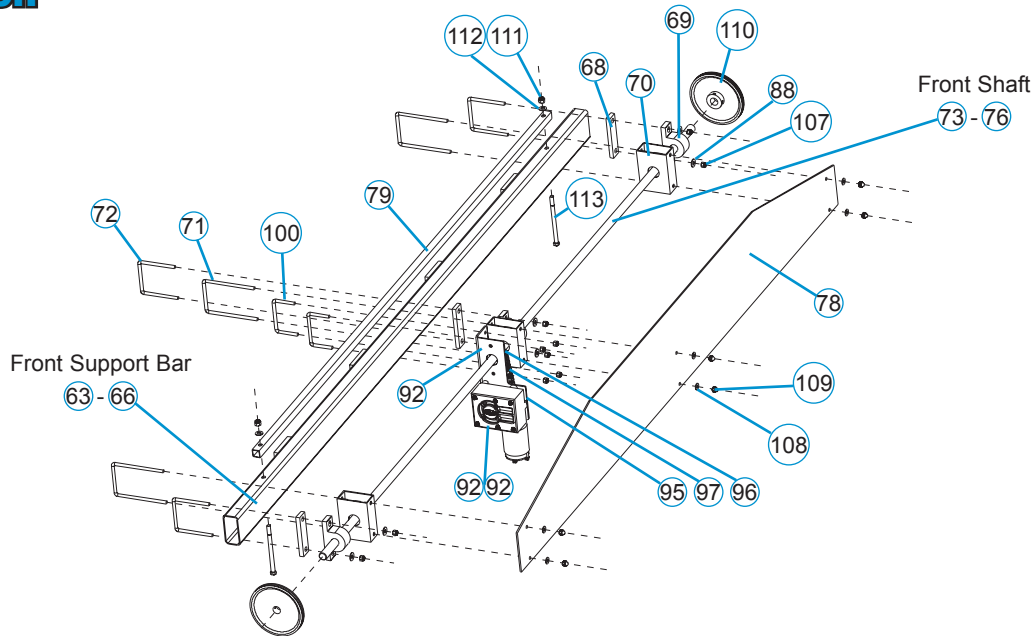


Also Available with Durabuilt Motor

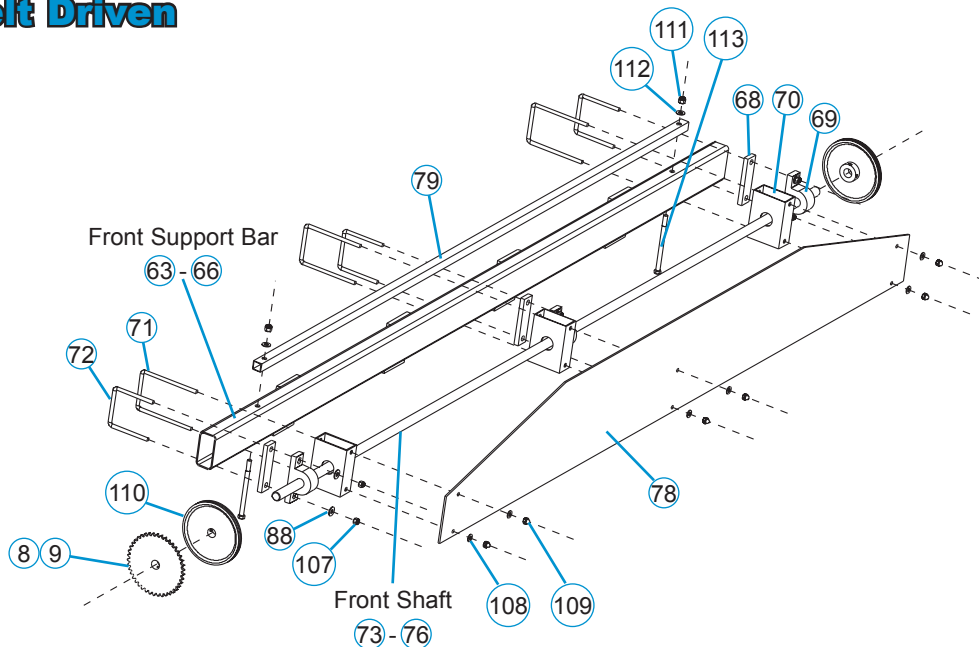


All Front Assemblies Listed by
Width and Drive Option
51 - 62

**Front Assembly - Radius Front Trailers (Includes Front Support)
Motor Driven**



**Front Assembly - Radius Front Trailers (Includes Front Support)
Chain and Belt Driven**





Bubble Part# Description

Parts (General)

1	1988	Pass Rear Pulley Assembly (Incl. Mounting Plate)
2	1989	Drivers Rear Pulley Assembly (Incl. Mounting Plate)
3	1099	Anti Lift Kit
4	1771	Side To Side Kit (Two Rollers With Hardware)
5	4100	1/4" Galvanized Steel Cable
6	4100ss	1/4" Stainless Steel Cable
7	4100cc	Cable Clamp Assembly
8	4109-7	40b-42 7" Od Sprocket
9	2081	7" Belt Pulley

Belts And Chain

10	1765	136" V-belt
11	T1972	144" V-belt
12	1115	14' of #40 Chain With Master Link

Bows

Bows With Semi Removable Black UHMW Bow Ends

13	2006	97" Bow, 6" Rise, Complete With Bowends
21	1997	97" Bow, 6" Rise, Steel Tube
14	2010	97" Bow, 12" Rise, Complete With Bowends
22	2001	97" Bow, 12" Rise, Steel Tube
15	2007	99" Bow, 6" Rise, Complete With Bowends
23	1998	99" Bow, 6" Rise, Steel Tube
16	2011	99" Bow, 12" Rise, Complete With Bowends
24	2002	99" Bow, 12" Rise, Steel Tube
17	2008	103" Bow, 6" Rise, Complete With Bowends
25	1999	103" Bow, 6" Rise, Steel Tube
18	2012	103" Bow, 12" Rise, Complete With Bowends
26	2003	103" Bow, 12" Rise, Steel Tube
19	2009	105" Bow, 6" Rise, Complete With Bowends
27	2000	105" Bow, 6" Rise, Steel Tube
20	2013	105" Bow, 12" Rise, Complete With Bowends
28	2004	105" Bow, 12" Rise, Steel Tube

Bubble Part# Description

Bows With Removable White UHMW Bow Ends

29	1717	Bow Kit, 99", 6" Rise, Removable End
30	1716	Bow Kit, 99", 12" Rise, Removable End
31	1715	Bow Kit, 97", 6" Rise, Removable End
32	1714	Bow Kit, 97", 12" Rise, Removable End
33	1713	Removable End Style, 12" Rise, Steel Tube
34	2025	Removable End Style, 6" Rise, Steel Tube

Bow Ends

Semi Removable Bowends - Black UHMW Block

35	2023	Semi-removable Bow End Kit (2) Black Blocks, Incl. Hardware
36	1744	Semi-removable Bow End, Black UHMW Block Bow Ends Hardware

Removable Bowends - White UHMW

37	1718	Removable Bow End Kit, Complete
38	1652	Removable Bow Hardware Bag

Front Assemblies - Includes Wind Deflector

39	2193	Front Assembly, 97" Long With 7" Sprocket
40	2195	Front Assembly, 97" Long With Belt Pulley
41	2196	Front Assembly, 97" Long With Motor
42	2189	Front Assembly, 99" Long With 7" Sprocket
43	2191	Front Assembly, 99" Long With Belt Pulley
44	2192	Front Assembly, 99" Long With Motor
45	2185	Front Assembly, 103" Long With 7" Sprocket
46	2187	Front Assembly, 103" Long With Belt Pulley
47	2140	Front Assembly, 103" Long With Motor
48	2129	Front Assembly, 105" Long With 7" Sprocket
49	2132	Front Assembly, 105" Long With Belt Pulley
50	2133	Front Assembly, 105" Long With Motor

Front Assemblies For Radius Front Trailer

Includes Wind Deflector And Front 2x4 Support Beam

51	2177	Front Assembly, 97", With 7" Sprocket
52	2179	Front Assembly, 97", With Belt Pulley
53	2180	Front Assembly, 97", With Motor
54	2173	Front Assembly, 99", With 7" Sprocket
55	2175	Front Assembly, 99", With Belt Pulley
56	2176	Front Assembly, 99", With Motor
57	2169	Front Assembly, 103", With 7" Sprocket
58	2171	Front Assembly, 103", With Belt Pulley
59	2172	Front Assembly, 103", With Motor
60	2165	Front Assembly, 105", With Sprocket



Bubble Part# Description

CONTINUE... Front Assemblies For Radius Front Trailer

61	2167	Front Assembly, 105", With Belt Pulley
62	2168	Front Assembly, 105", With Motor

Front Assembly Parts For Radius Front Trailer

63	2164	2x4 Support, 94" Long, 97" Cable System
64	2162	2x4 Support, 96" Long, 99" Cable System
65	2159	2x4 Support, 100" Long, 103" Cable System
66	2158	2x4 Support, 102" Long, 105" Cable System
67	2120	Bearing Plate Assembly (3/8"-16 X 2" Threaded Studs)
68	2154	Bearing Plate (Spacer For Front 2x4 Support)
69	4112	1' Pillow Block Bearing
70	2117	Wind Deflector Aluminum Mounting Tube
71	2151	U Bolt,3/8-16 4x6-5/8, Zinc Plated
72	2153	U Bolt,3/8-16 4x4-5/8, Zinc Plated
73	2128	99 1/2" Front Shaft, 97" Cable System
74	2127	101 1/2" Front Shaft, 99" Cable System
75	2116	107 1/2" Front Shaft, 103" Cable System
76	2159	105 1/2" Front Shaft, 105" Cable System
77	1747	7 1/2" Od 1/4" Wire Rope Sheave
78	2112	Wind Deflector, 94.5"
79	2109	Tarp Hold Down Bar - 85" Long
8	4109-7	40b-42 7" Od Sprocket
9	2081	7" Belt Pulley

Crank Handle Options

83	2104	Crank Handle Assembly V-belt
84	2105	Crank Handle Assembly For Chain
85	1726	Mounting Plate (Al)
86	1727	Mounting Plate (St)

Crank Handle Hardware

87	2464	3 3/8" - 16 X 1 1/2" Bolt
88	2875	3 3/8 Washer
89	2872	3 3/8 Lock Washer
90	2873	3 3/8-16 Nut

Bubble Part# Description

Motor Assembly Parts

91	2134	Motor Assembly
92	1745	Motor Bracket
93	61L	DD Motor (Systems Up To 22')
94	4422	DD Motor, 800w Motor (Systems 23' And Up)
95	2957	Sprocket, 1/2 Pitch, 16 Teeth, .750 Dia. Bore
96	376	Sprocket, 1/2 Pitch, 16 Teeth, 1.00 Dia. Bore
97	2135	#40 Chain, 19" With Masterlink

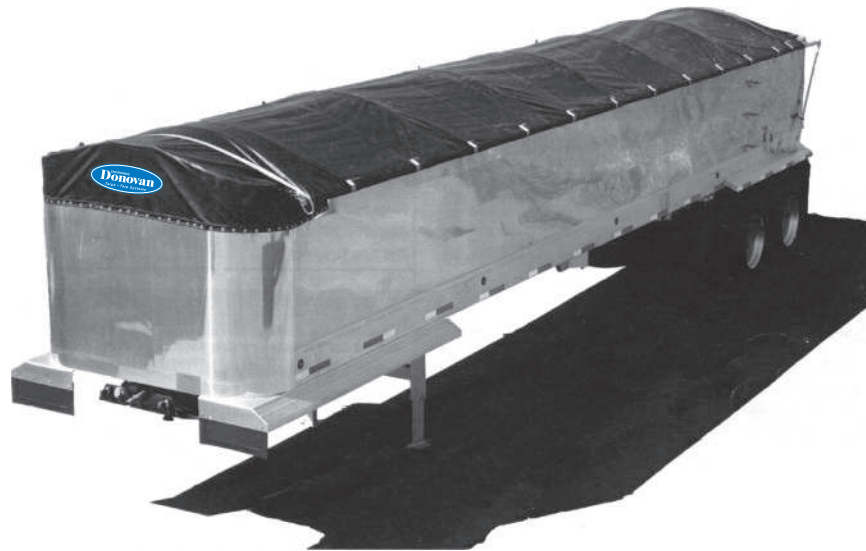
Motor Assembly Hardware

98	2867	5/16 Washer
99	3839	5/16-18 X 3/4 Long Bolt
100	2155	U Bolt,3/8-16 4x2-5/8, Zinc Plated

Additional Parts

101	2046	Hold Down U Bar
102	2047	Hold Down Plate
103	2044	Small Hook
104	2045	Large Hook
105	1783	1/4-20 X 1.75 (.75" Thrd.)
106	1789	3/8-16 X 3/4" Bolt
107	2874	3/8-16 Locknut
108	2110	3/8 Sae Washer
109	2111	3/8-16 Acorn Nut
110	2114	7" Od 1/4 Wire Rope Sleeve
111	1181	7/16" Hex Lock Nut
112	1182	7/16" Flat Washer
113	2106	7/16"-14 X 6", Hex Hd Bolt
114	1345	3/8"-16 X 1 1/4" Bolt
115	1990	Rear Pulley Assembly Plate
116	2058	Base Plate
117	2057	Side Lock Assembly
118	2054	Pulley Washer
119	2050	Pulley Cover
120	2878	1/2" Washer
121	2877	1/2-13 Lock Nut
122	2053	Pulley Bearing Assembly

Side Roller



Roll Tubes & Latch Plates

	<u>Part #</u>
Fixed Tube 1 1/8"x20'	51109
Fixed Tube 1 1/8"x24'	51110
Roll Tube without Spline 2"x20'	51112
Roll Tube without Spline 2"x24'	51114
Nylon U Clamps	51104
Spline Shaft Replacement	51107
Aluminum Sidemount Latch Plate - 8'	51102

Tarp Stops

	<u>Part #</u>
Standard Bolt-On Tarp Stop	51120
Standard Quick Release Complete Assm	51121
Standard 6" Offset Quick Release Complete Assm	51122
Flexible Quick Release Complete Assm	51123
6" Offset Flexible Quick Release Complete Assm	51124
HD Rubber Strap Tarp Stop (New)	51125
Standard Aluminum Upright Only	51126
Stop Body	51130
Clevis Pins	51131
Protective Cap for Bolt-On Tarp Stops	51133

Crank Retainers

	<u>Part #</u>
Offset Crank Retainer	51135
Offset Pinless Crank Retainer Assm	51136
Wire Lock Pin	51139
Pinless Crank Retainer Only	51140
Standard Crank Retainer "J" Only	51145
Standard Crank Retainer Complete	51146

Cranks (Quick Lock / Belt & Ratchet)

	<u>Part #</u>
Standard Crank Arm Kit	51147
Long Crank Arm Kit	51148
Short Crank Arm Kit	51149
Splined U Joint	51150
Standard Crank Arm - 24"	51157
Long Crank Arm - 60"	51158
Standard Belt and Ratchet Crank Arm Kit (for 5' Ratchet Strap)	51161
Long Belt and Ratchet Crank Arm Kit (for 9' Ratchet Strap)	51162
U Joint - Square Key	51283
Strap Hold-Down Kit - 9'	51167
Ratchet 2"	51173
Flex Crank Kit - 40" Ext Assm	51175
Flex Crank Kit - 54" Ext Assm	51176

Bows

	<u>Part #</u>
Std. Flat Bow Kit	51212
Std. Low Rise Bow Kit	51213
Std. High Rise Bow Kit	51214
HD Bow Low Rise Bow Kit	51222

FlexBow

	<u>Part #</u>
97" Bow Kit - Stl Bracket	51271
102" Bow Kit - Stl Bracket	51272
97" Bow Kit - Alum Bracket	51273
102" Bow Kit - Alum Bracket	51274

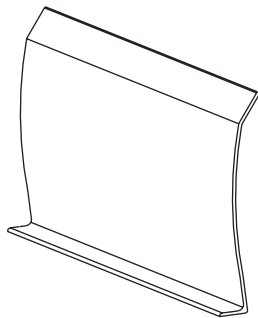
Misc. Parts

	<u>Part #</u>
Front Roll Return Kit	51195
Front Cable Return	51205
Rear Cable Return	51206
Aluminum Cap, Square Front 96"	51207
Aluminum Cap, Square Front 102"	51208
Aluminum Cap, Square Back 96"	51209
Aluminum Cap, Square Back 102"	51210

FOR COMPLETE SIDE ROLLER PARTS BROCHURE

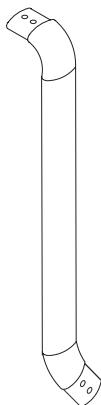
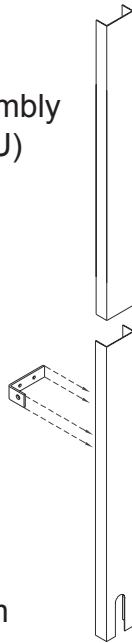
VISIT WWW.DONOVAN-ENT.COM!

Spare Parts & Options



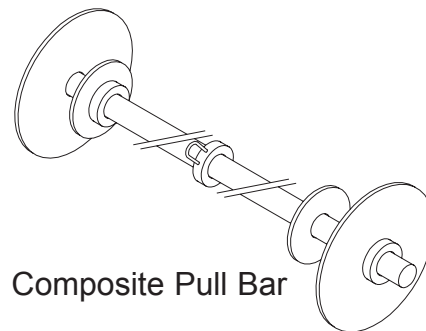
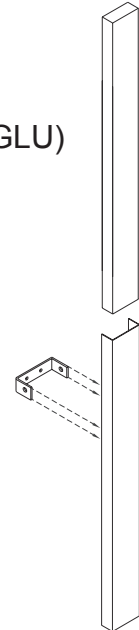
Wind Deflector
(one-piece)

Chain Guard Assembly
(5000GL, 5000GLU)



30 Degree Bent Arm
(Bullet, 7000)

Chain Guard Assembly
(7000GL, 7800GL, 9000GLU)



Composite Pull Bar

	Qty	Part #
Wind Deflector, Triple Bend (2 sections 10"H x 48"W) Galvanized Steel	1	1647K
Wind Deflector, One-Piece Anodized Aluminum	1	1216K
Chain Guard, Complete (5000GL, 5000GLU)	1	114
Chain Guard, Upper	1	1398
Chain Guard, Lower	1	1402
Chain Guard Bracket	3	1412
Chain Guard, Complete (7000GL, 9000GLU, 7800GL)	1	2083
Chain Guard, Upper	1	790
Chain Guard, Lower	1	791

	Qty	Part #
Chain Guard Bracket	3	1412
30 Degree Bent Arm Assembly (BULLET)		
Pivot Arm, L/H, Upper, Welded	1	3215
Pivot Arm, R/H, Upper, Welded	1	3216
Pivot Arm Middle, 70°, Aluminum	2	3217
Bolt, allen head, 1/4" x 1 1/2"	4	1914
Nut, tee. 1/4"	4	1914
Composite Pull Bar Assembly	1	3704
Composite Tube, 104"	1	3703
Modified Split Shaft Collar	1	3702
1" IDx 3" OD Washer	2	92
Split Shaft Collar	4	41
6" PVC Roller	2	2451
5/8" Swivel Snap Hook	1	1822
Rope	50'	1517
1" IDx 5" OD Washer	2	3809