



Heavy Duty Truck Covering System Catalog

**To order, call toll-free
1-800-327-8287 or
fax your order to
1-772-287-0431**

www.donovan-ent.com

June 2014

This catalog supersedes all other Donovan Heavy Duty Catalogs dated before 06/14. Please discard all older versions. If any discrepancies are found in this catalog, please inform one of Donovan's customer service care representatives the next time you call or send an e-mail to info@donovan-ent.com Thank you.

Contents



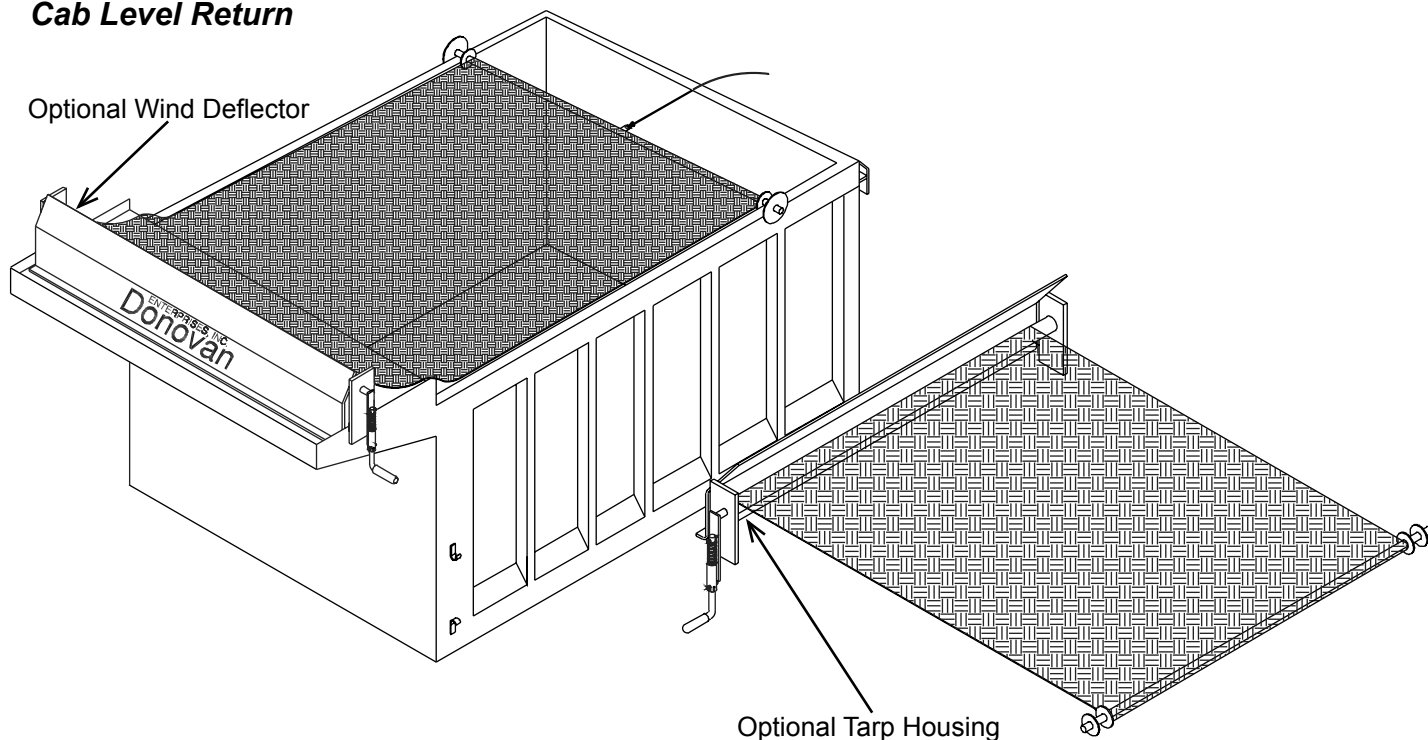
TRUCK MODELS	COVERING LENGTH	PAGE #
2000 Series (Pull-Over Series)		3-8
-2000X	50'	3-4
-Turbo Tarp	50'	5
-2000SR	26'	6-8
5000 Series (Side Spring Option)		9-18
-5000S / SU	20'/18"	11-12
-5000GL / GLU	20'/18'	13-14
-5000XGL	18'	15
-5000ELD / ELUD	20'/18'	16-17
-5000XEL	18'	18
7000 Series (Side Torsion Spring)		19-21
-7000GL	20'	20
-7000ELD	20'	21
HAMMER (Steel, Coil Torsion Spring)	23'	22-23
BULLET (Aluminum, Coil Torsion Spring)	23'	24-26
FLASH (Aluminum, Coil Torsion Spring)	23'	27-33
TRAILER MODELS	COVERING LENGTH	PAGE #
7800 Series (Side Torsion Spring)	30'	34-36
-7800GL	30'	35
-7800ELD	30'	36
TRAILER BULLET (Aluminum, Coil Torsion Spring)	38'	37-38
LONG ARM Series	38'/41'	39-43
-LONG ARM	38'	40-41
-LONG ARM 41	41'	42-43
Tarp Trap / Spring Trap (Tarp Hold-Down)		44-45
Parts & Options		46

2000 Series



2000X

Cab Level Return



2000X (#48 / 1804076)

Standard Features:

- Pull-Bar and Pull-Rope included
- Cab-Level Crank with Locking Strap

Optional Upgrades:

- Wind deflector
- Tarp Housing

Why would you want a manual system?

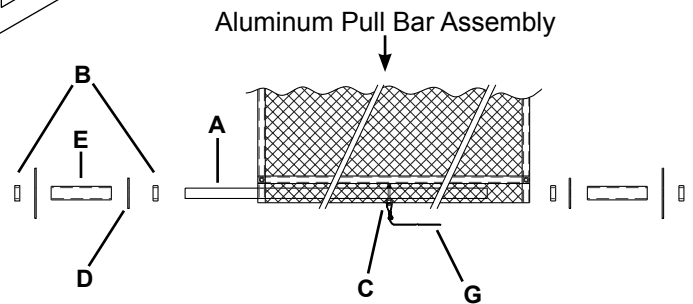
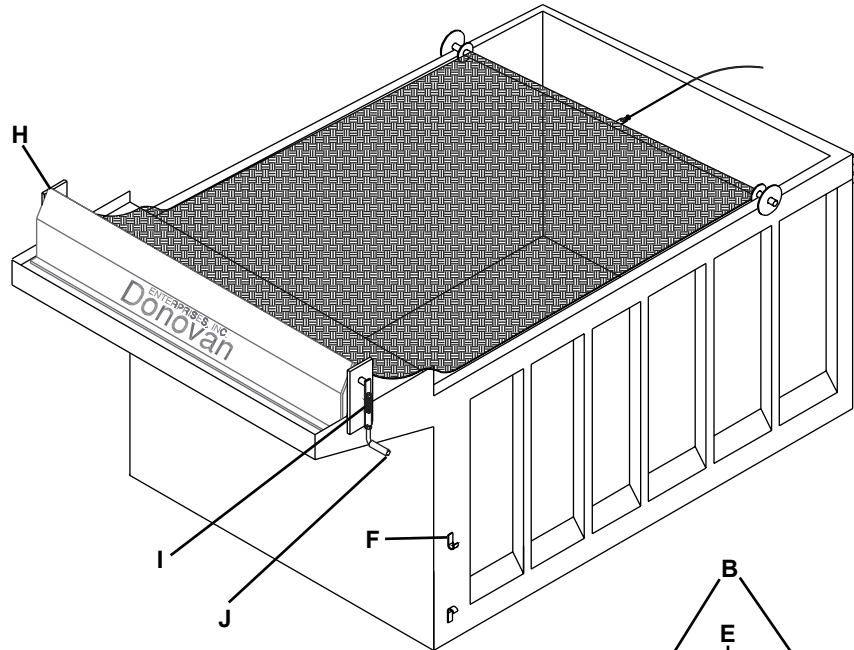
- Simple
- Cost effective
- Dependable
- One size fits all
- No pivot arms
- Easy installation (<2 hours)

3 models to choose from:

- 2000X cab level crank return
- TurboTarp cab level crank return
- 2000SR automatic spring return

The 2000SR uses a spring return roller bar to retract the tarp automatically. The 2000X retracts the tarp with a cab level crank.

Each 2000 Pull-Over System can be teamed with any of Donovan's tarp materials, including asphalt and waterproof tarps with flaps.



System Parts

DESCRIPTION	QTY	PART
2000X, full system	1	48 / 1804076
Pull Bar Assembly, Complete	1	105 / 1804076
A -Aluminum Tubing, 1" x 104"	1	439 / 1800087
B -Shaft Collar, 1"	5	40 / 1800017
C -Eye Bolt w/ nut, 5/16" x 1.25"	1	2454 / 1800782
D -Washer, Fender, 1" ID x 3" OD	2	92 / 1800030
-Washer, Fender, 1" ID x 5" OD	2	3809 / 1801354
E -Roller, PVC, 1" ID x 6" OD	2	2451 / 1800779
F -J - Hook	4	62 / 1800021
G Rope assembly	1	3788 / 1801351
Hose Clamp, 1 1/2"	4	146 / 1800043
Shaft Collar, 3/4"	2	148 / 1800045
Rubber Strap w/ hooks, 15"	1	187 / 1800050
Bearing plate Assembly	2	4419 / 1801660
-Bearing Plate	2	4155 / 1801521
H -Bearing, 3/4"	2	145 / 1800042
I Crank Handle	1	4128 / 1801509
J Handle Grip	1	2074 / 1800636
Roller Bar	1	121 / 1800038
Loc-Tite (5ml Tube)	1	3858 / 1801379

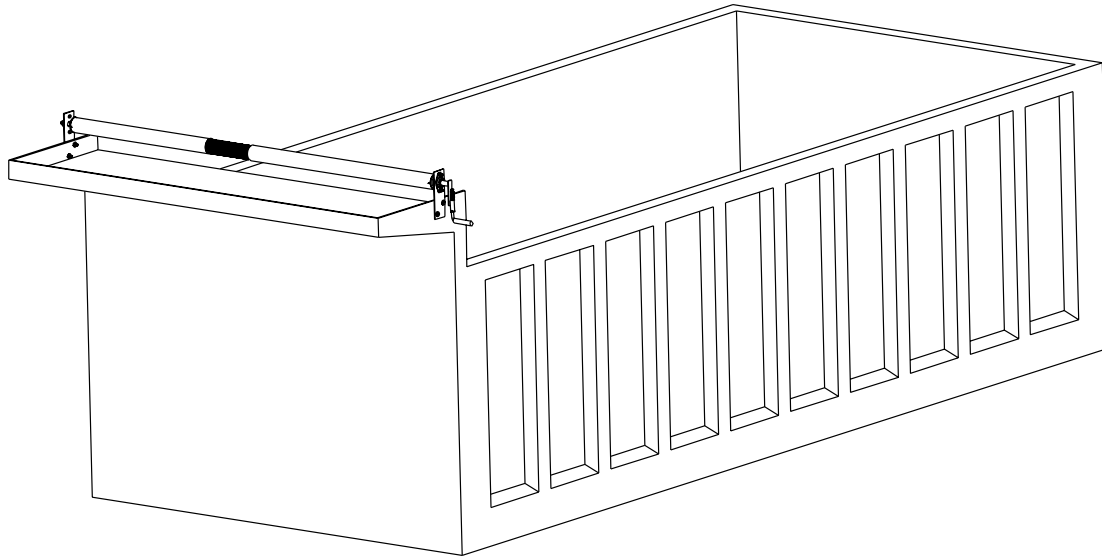
Mounting Hardware

DESCRIPTION	QTY	PART
Hardware Bag	1	4418 / 1801659
-Bolt hex, 3/8" x 1 1/2"	4	2464 / 1800790
-Washer, flat, 3/8"	4	2875 / 1800994
-Nut, lock, 3/8"	4	2874 / 1800996
Hardware Box	1	123 / 1800039

Options

DESCRIPTION	PART
Wind Deflector	1647 / 1800488
Tarp Housing, adjustable 84" - 100"	1750 / 1800517
-*Must order all 3-pieces for full housing	1751 / 1800518
	1377 / 1800395

TurboTarp 2

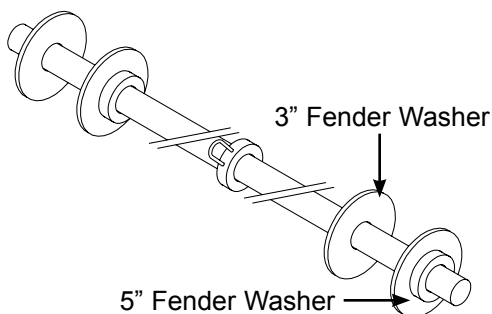


TurboTarp 2

(#4201 / 1801543, #4201P / 1802035)

Standard Features:

- Expandable from 60" - 104" (152 cm - 264 cm)
- Bolts or welds on, installs in minutes!
- Ships assembled
- Extremely durable extruded aluminum tarp roller bar
- Fold away handle will lock the system, no need to use a strap!
- Roller tube has a tarp spline groove for a quick tarp change



TurboTarp 2

TurboTarp 2, full system	1	4201 / 1801543
TurboTarp 2, full system w/ pull bar assembly	1	4201P / 1802035

Mounting Hardware

DESCRIPTION	QTY	PART
Hardware Bag	1	4418 / 1801659
-Bolt hex, 3/8" x 1 1/2"	4	2464 / 1800790
-Washer, flat, 3/8"	4	2875 / 1800994
-Nut, lock, 3/8"	4	2874 / 1800993
Hardware Box	1	123 / 1800039

Options

DESCRIPTION	QTY	PART
Pull-Bar Assembly	1	105 / 1800034
1" Extruded aluminum	1	439 / 1800087
3" Fender Washer	2	92 / 1800030
5" Fender Washers	2	3809 / 1801354
Rollers, PVC	2	2451 / 1800779
50' Pull Rope Assembly	1	3788 / 1801351
Eye Bolt, 5/16 x 1.25	1	2454 / 1800782
Shaft Collar, 1"	5	40 / 1800017
J Hook	4	62 / 1800021

Heavy Duty Truck Division Tarp System Parts Catalog - June 2014

Shur-Co®, LLC Donovan of Florida • 3353 SE Gran Park Way • Stuart, FL 34997

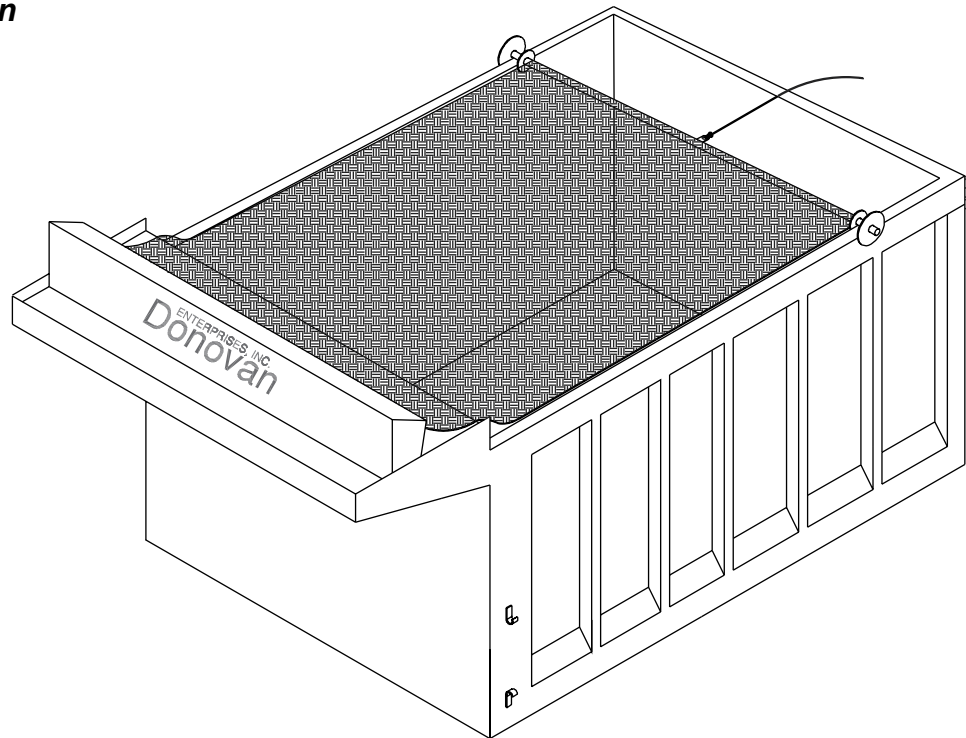
Outside the U.S. call (772) 286-3350 • www.donovan-ent.com • e-mail: info@donovan-ent.com

Call (800) 327-8287 or (772) 286-3350 • Fax (772) 287-0431

2000 Series



2000SR Spring Return

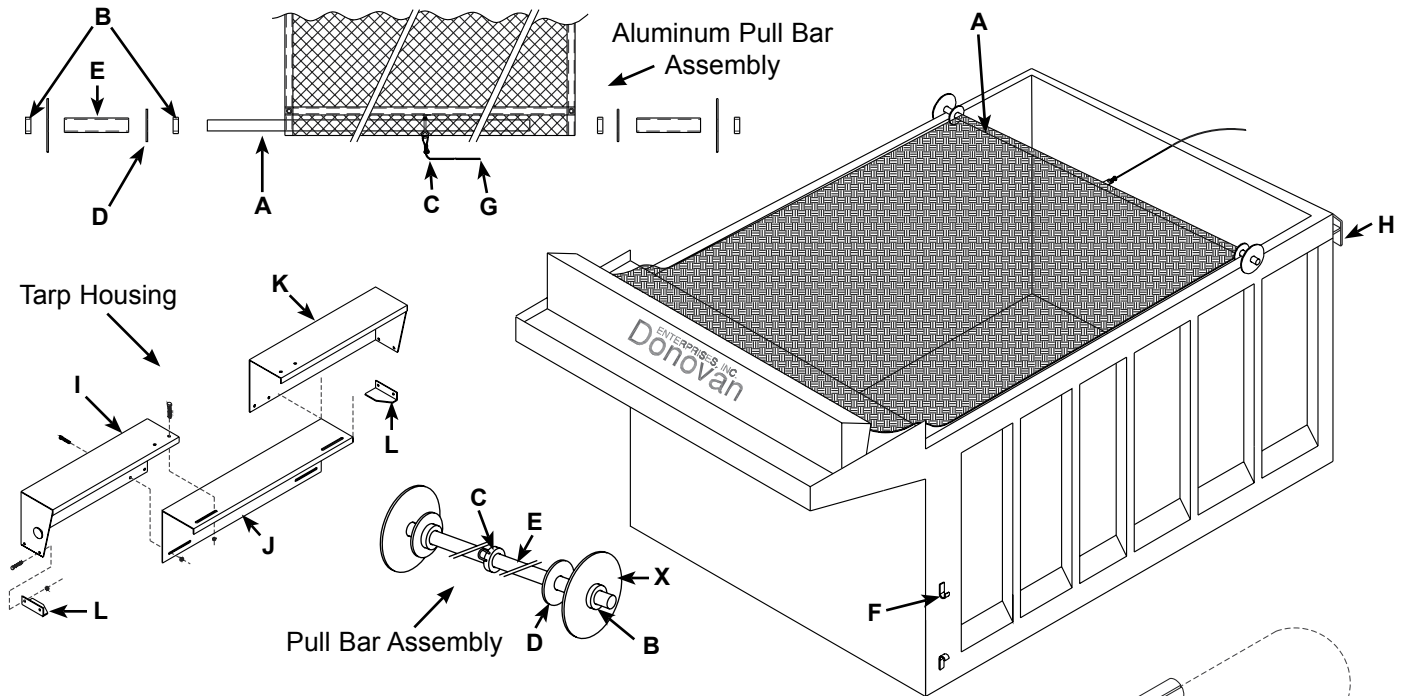


2000SR (#165 / 1800047, #165W / 1801948)

Standard Features:

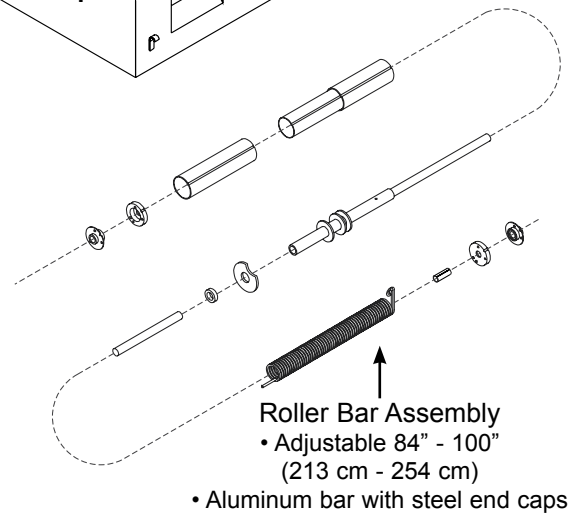
- Dump bodies, trailers, and containers up to 23 feet.
- “One size fits all” Expandable Tarp Housing and telescopic Aluminum Roller Bar.
- No Assembly Required; extend to proper width and install.
- Sealed Bearing Construction with 3/4” center support shaft for long lasting heavy duty operation.
- No pivot arms or external springs to damage.
- Simple pull-over operation with Automatic Spring Return.
- Return Spring carries a Lifetime Warranty.
- External Spring Tensioner adjusts spring tension without removing tarp.

2000SR



System Parts

DESCRIPTION	QTY	PART
2000SR, full system	1	165 / 1800047
Pull Bar Assembly, Complete	1	105 / 1800034
A -Aluminum Tubing, 1" x 104"	1	439 / 1800087
B -Shaft Collar, 1"	5	40 / 1800017
C -Eye Bolt w/ nut, 5/16" x 1.25"	1	2454 / 1800782
D -Washer, Fender, 1" ID x 3" OD	2	92 / 1800030
X -Washer, Fender, 1" ID x 5" OD	2	3809 / 1801354
E -Roller, PVC, 1" ID x 6"	2	2451 / 1800779
F -J - Hook	4	62 / 1800021
G Rope assembly	1	900 / 1800239
H Tailgate Latch	2	660 / 1800135
Tarp Housing, Adjust., 60"-104"	1	
I Housing Assembly, Left	1	1750 / 1800517
J Housing Assembly, Center	1	1377 / 1800395
K Housing Assembly, Right	1	1751 / 1800518
L Mounting Angles	2	1328 / 1800364
Roller Bar Assembly	1	99 / 1800033
-2000SR Spring	1	1755 / 1800521
-Bearing	2	1752 / 1800519



Mounting Hardware

DESCRIPTION	QTY	PART
Hardware Bag	1	522 / 1800095
-Bolt hex, 3/8" x 1 1/2"	4	2464 / 1800790
-Washer, flat, 3/8"	4	2875 / 1800994
-Nut, lock, 3/8"	4	2874 / 1800993
Pull Bar Hardware Kit	1	635 / 1800131
Ratchet Spring	1	2314 / 1800698
Ratchet Pawl	1	2650 / 1800917

Heavy Duty Truck Division Tarp System Parts Catalog - June 2014

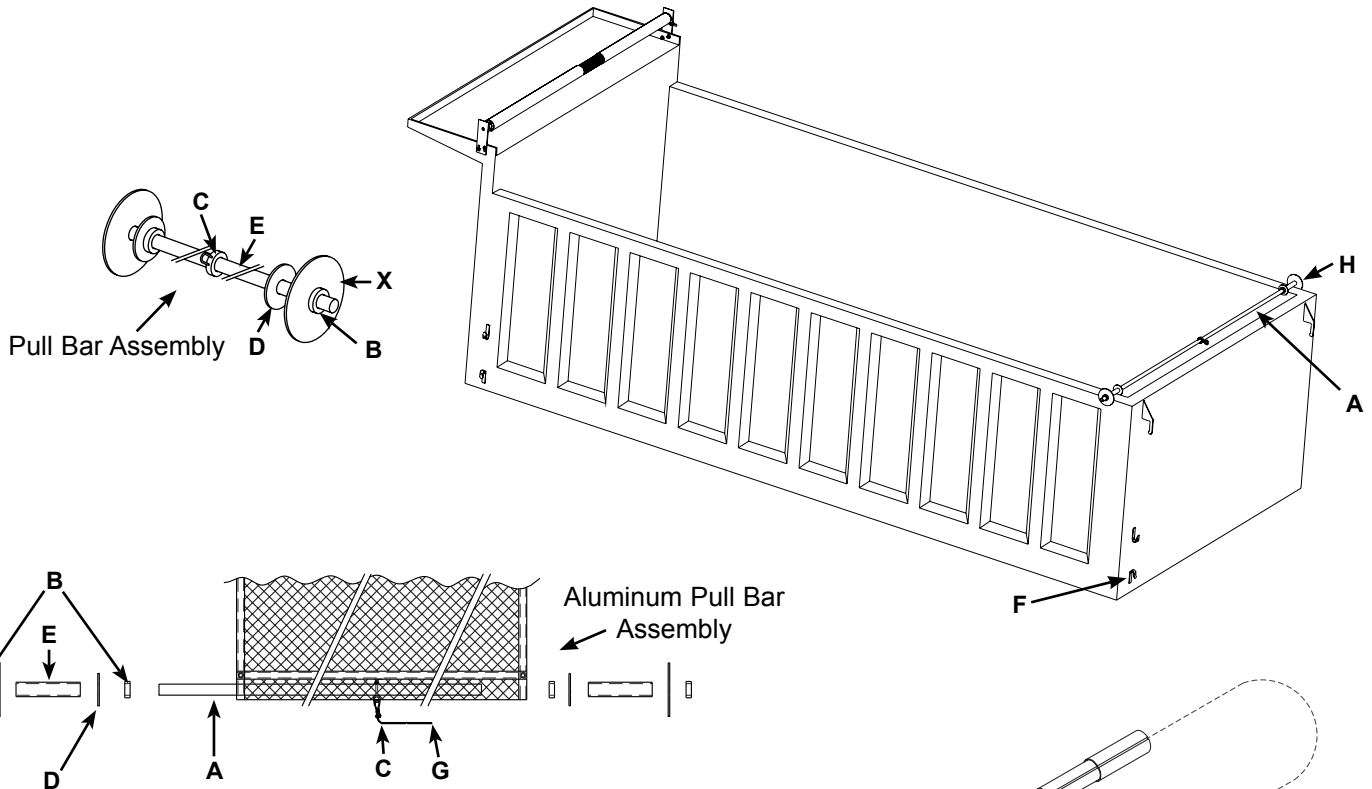
Shur-Co®, LLC Donovan of Florida • 3353 SE Gran Park Way • Stuart, FL 34997

Outside the U.S. call (772) 286-3350 • www.donovan-ent.com • e-mail: info@donovan-ent.com

Call (800) 327-8287 or (772) 286-3350 • Fax (772) 287-0431

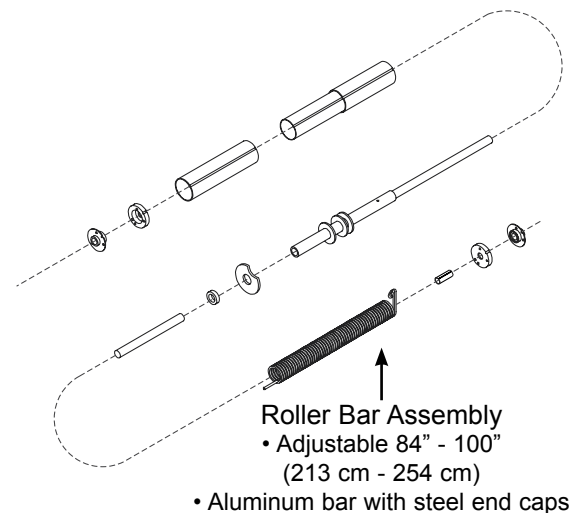
2000SR

without housing



System Parts

DESCRIPTION	QTY	PART
2000SR, no housing full system	1	165W / 1801948
Pull Bar Assembly, Complete	1	105 / 1800034
A -Aluminum Tubing, 1" x 104"	1	439 / 1800087
B -Shaft Collar, 1"	5	40 / 1800017
C -Eye Bolt w/ nut, 5/16" x 1.25"	1	2454 / 1800782
D -Washer, Fender, 1" ID x 3" OD	2	92 / 1800030
X -Washer, Fender, 1" ID x 5" OD	2	3809 / 1801354
E -Roller, PVC, 1" ID x 6"	2	2451 / 1800779
F J - Hook	4	62 / 1800021
G Rope assembly	1	900 / 1800239
H Tailgate Latch	2	660 / 1800135
End Plate without Ratchet	1	4618 / 1803939
End Plate with Ratchet	1	4621 / 1803940
Roller Bar Assembly	1	99 / 1800033
-2000SR Spring	1	1755 / 1800521
-Bearing	2	1752 / 1800519



Mounting Hardware

DESCRIPTION	QTY	PART
Hardware Bag	1	522 / 1800095
-Bolt hex, 3/8" x 1 1/2"	4	2464 / 1800790
-Washer, flat, 3/8"	4	2875 / 1800994
-Nut, lock, 3/8"	4	2874 / 1800993
Pull Bar Hardware Kit	1	635 / 1800131
Ratchet Spring	1	2314 / 1800698
Ratchet Pawl	1	2650 / 1800917

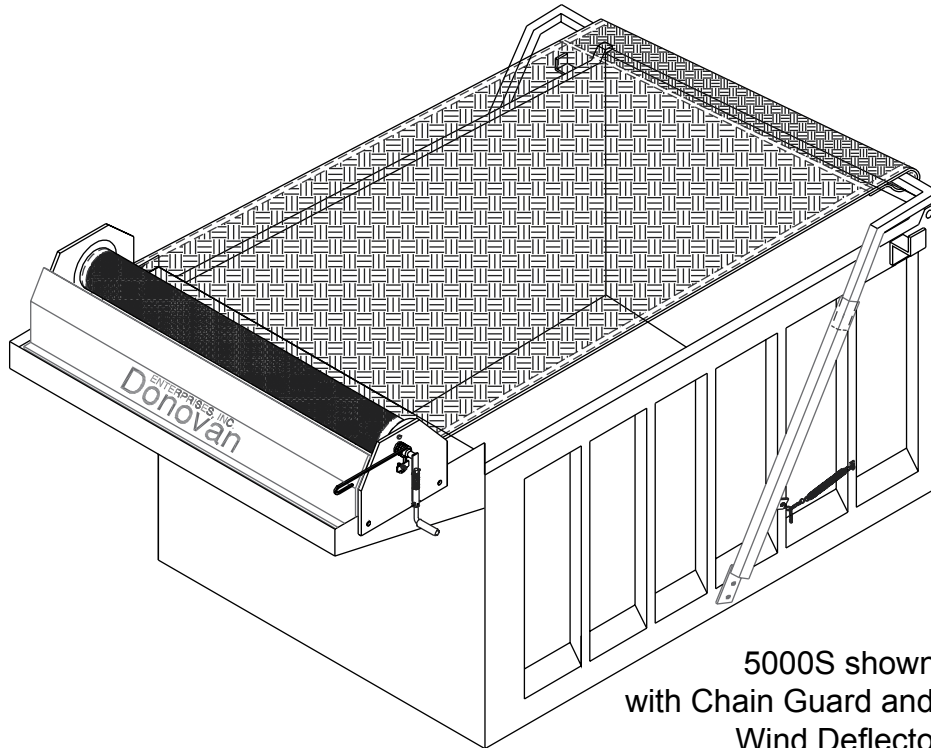
Heavy Duty Truck Division Tarp System Parts Catalog - June 2014

Shur-Co®, LLC Donovan of Florida • 3353 SE Gran Park Way • Stuart, FL 34997

Outside the U.S. call (772) 286-3350 • www.donovan-ent.com • e-mail: info@donovan-ent.com

Call (800) 327-8287 or (772) 286-3350 • Fax (772) 287-0431

5000 Series



5000S shown
with Chain Guard and optional
Wind Deflector

5000S (#343 / 1803893)

5000SU (#1675 / 1803909)

- Manual Cab Level Crank

5000GL (#344 / 1803899)

5000GLU (#1679 / 1803911)

5000XGL (#729 / 1803902)

- Manual Ground Level Crank

5000ELD (#168 / 1803898)

5000ELUD (#161 / 1803897)

5000XEL (#616 / 1803895)

- Automatic Electric Direct Drive

5000 Series

Standard Features:

- Quick, safe and economical covering system for dump bodies up to 18 feet long.
- One size fits up to 18 ft. bodies
- 1-1/4" Square Tube Pivot Arms
- Bent Pivot Arm Extensions
- Side Extension Springs
- Pivot Arm Rests

Optional Upgrades:

- Wind Deflector
- Chain Guard

Heavy Duty Truck Division Tarp System Parts Catalog - June 2014

Shur-Co®, LLC Donovan of Florida • 3353 SE Gran Park Way • Stuart, FL 34997

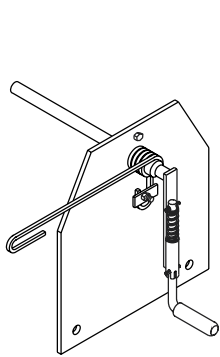
Outside the U.S. call (772) 286-3350 • www.donovan-ent.com • e-mail: info@donovan-ent.com

Call (800) 327-8287 or (772) 286-3350 • Fax (772) 287-0431

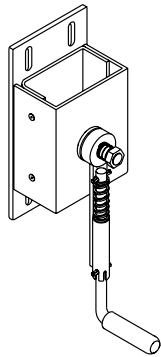
5000 Series



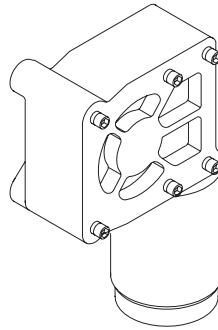
System	Finish	Drive	Spring Type
5000XEL	Galvanized	Electric	Side-flat torsion
5000ELD	Black Paint	Electric	Side-extension
5000ELUD	Black Paint	Electric	Underbody extension
5000XGL	Galvanized	Ground Level Manual	Side-flat torsion
5000GL	Black	Ground Level Manual	
5000GLU	Black	Ground Level Manual	Underbody spring
5000XCL	Galvanized	Cab Level Manual	Side-flat torsion
5000S	Black	Cab Level Manual	
5000SU	Black	Cab Level Manual	



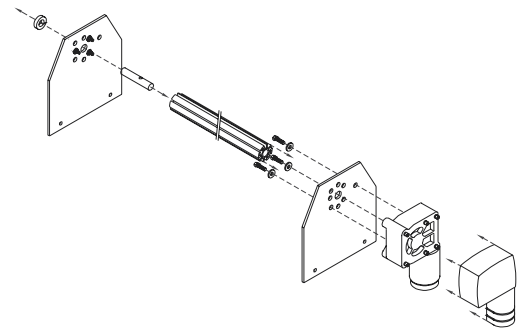
Safety Brake Spring
#84 / 1800026



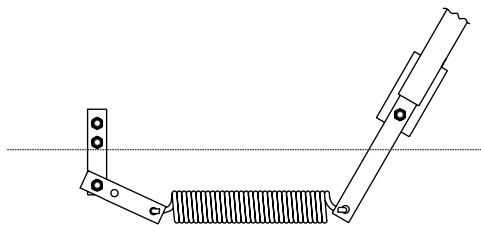
Ground Level
Crank Assembly
#441 / 1800088



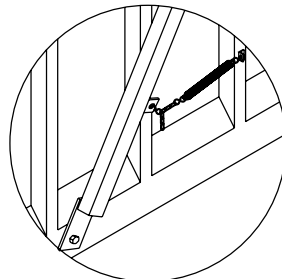
Motor Assembly
#61G / 1802061



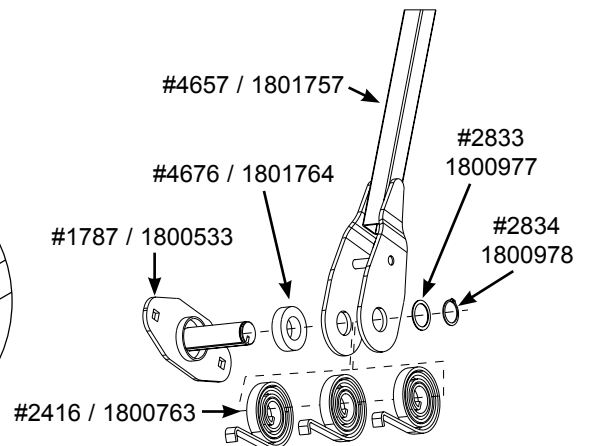
Direct Drive
Motor Assembly



Underbody Spring Assembly (#1884 / 1800595)
Spring only (#1585 / 1800462)

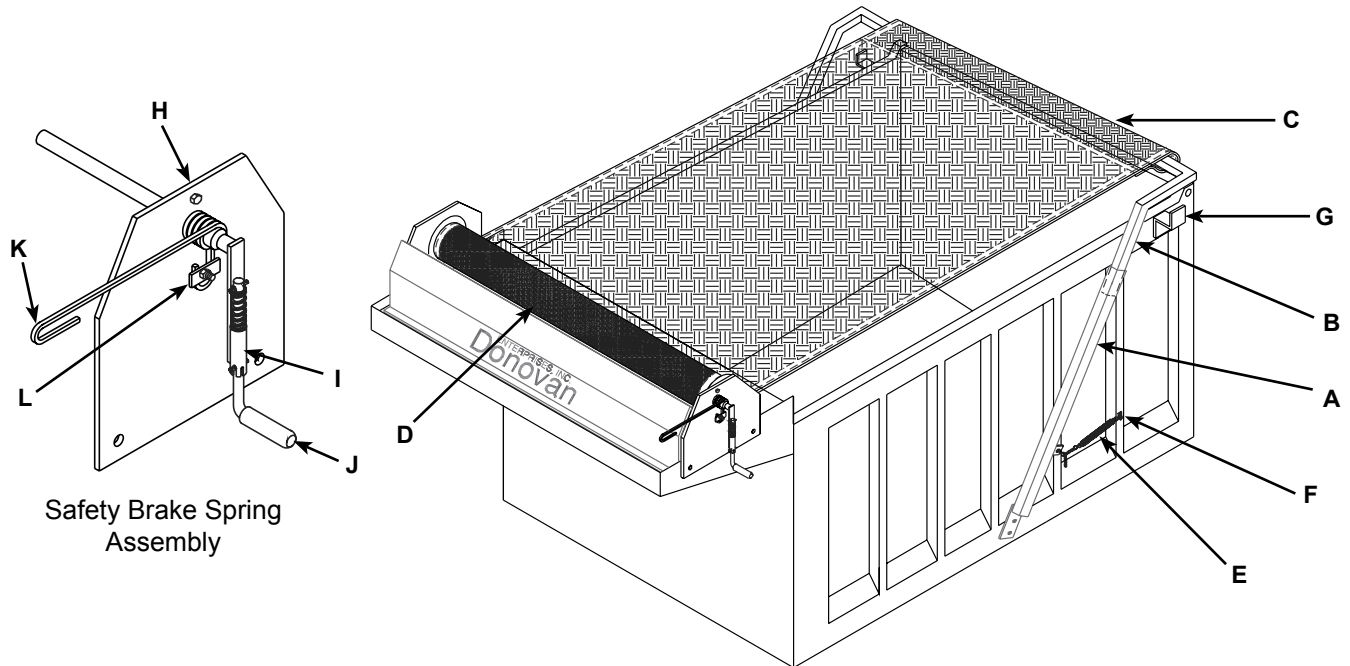


Side Spring
#116 / 1800037



Pivot Arm Assembly

5000S



Safety Brake Spring Assembly

System Parts

	DESCRIPTION	QTY	PART
	5000S, full system	1	343 / 1803893
A	Pivot Arm (L), 1-1/4" x 8	1	903 / 1800241
	Pivot Arm (R), 1-1/4" x 8	1	902 / 1800240
B	Bent Arm extension (L), 1" sq.	1	905 / 1800243
	Bent Arm extension (R), 1" sq.	1	904 / 1800242
C	Rear Cross Piece, 1-1/4"sq.	1	2071 / 1800635
D	Roller Bar, 1" dia.	1	121 / 1800038
E	Spring Extension, 25"	2	116 / 1800037
F	Spring Attachment Angle	2	798 / 1800192
	Chain Links, 3/16" x 12"	2	144 / 1800041
G	Pivot Arm Rest	2	952K / 1802081
	5000 Crank Assembly	1	4128 / 1801509
H	-Bearing Plate, Universal, Steel	2	3270 / 1801201
I	-Crank Handle w/ Brake Pad	1	4128 / 1801509
J	-Handle Grip, 4.5" x 3/4"	1	2074 / 1800636
K	-Brake Spring	1	1202 / 1800337
L	-Brake Spring clip	1	753 / 1800155
	Bearing, 3/4"	2	145 / 1800042
	Rubber Strap w/hooks, 15"	1	187 / 1800050
	Shaft Collar, 3/4"	2	148 / 1800045
	S-Hook, 1/4" x 2.5"	6	147 / 1800044

Mounting Hardware

DESCRIPTION	QTY	PART
Bolt, hex, 3/8" x 1 1/2"	4	2464 / 1800790
Washer, flat, 3/8"	4	2875 / 1800994
Nut, lock, 3/8"	4	2874 / 1800993
Bolt, hex, 1/2" x 2 1/2"	2	287 / 1804000
Washer, flat, 1/2"	6	2878 / 1800996
Nut, lock, 1/2"	4	2877 / 1800995
Cotter Pin, 1/4" x 3"	4	2475 / 1800801
Hose Clamp 1 1/2"	4	146 / 1800043

Options

DESCRIPTION	QTY	PART
Wind Deflector	1	1647K / 1801943

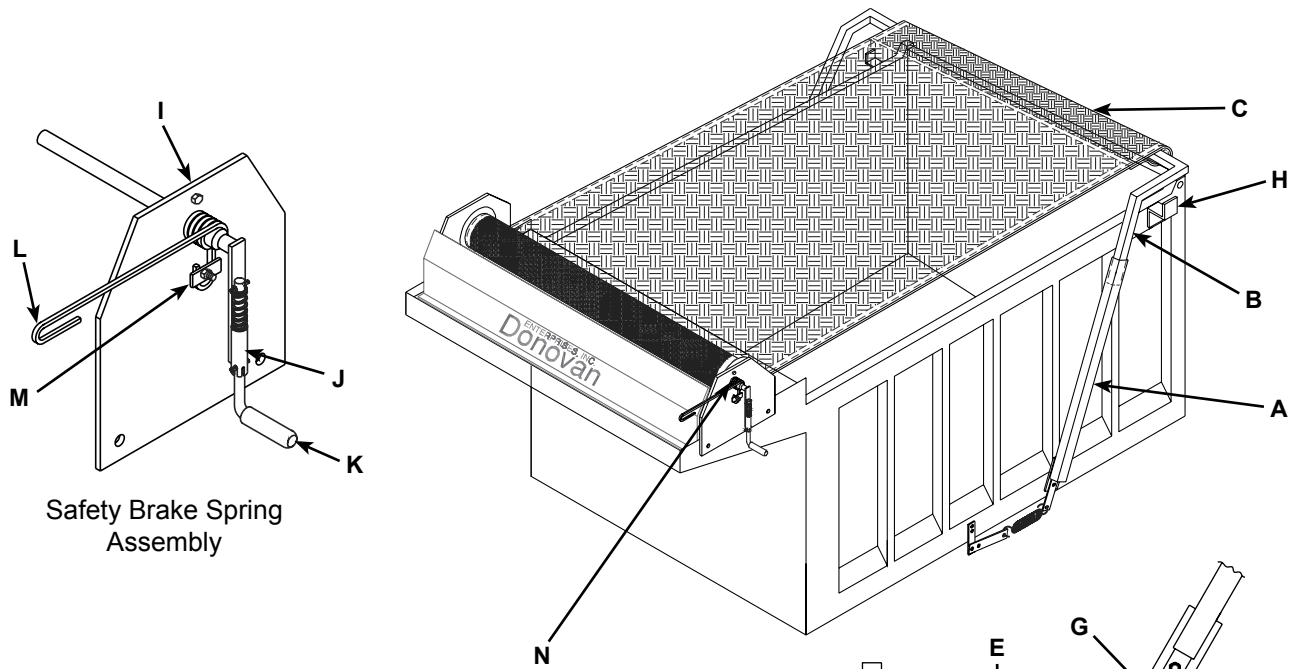
Heavy Duty Truck Division Tarp System Parts Catalog - June 2014

Shur-Co®, LLC Donovan of Florida • 3353 SE Gran Park Way • Stuart, FL 34997

Outside the U.S. call (772) 286-3350 • www.donovan-ent.com • e-mail: info@donovan-ent.com

Call (800) 327-8287 or (772) 286-3350 • Fax (772) 287-0431

5000SU



Safety Brake Spring Assembly

Underbody Spring Assembly
#1884 / 1800595

System Parts

	DESCRIPTION	QTY	PART
	5000SU, full system	1	1675 / 1803909
A	Pivot Arm (L), 1-1/4" x 8	1	903 / 1800241
	Pivot Arm (R), 1-1/4" x 8	1	902 / 1800240
B	Bent Arm extension (L), 1" sq.	1	905 / 1800243
	Bent Arm extension (R), 1" sq.	1	904 / 1800242
C	Rear Cross Piece, 1-1/4"sq.	1	2071 / 1800635
D	Roller Bar, 1" dia.	1	121 / 1800038
E	Spring, underbody, 12"	2	1585 / 1800462
F	Spring Mount Bracket, underbody	4	1586 / 1800463
G	Pivot Arm Bracket, underbody	2	2121 / 1800647
H	Pivot Arm Rest	2	952K / 1802081
	5000 Crank Assembly	1	84 / 1800026
I	-Bearing Plate, Universal, Steel	2	3270 / 1801201
J	-Crank Handle w/ Brake Pad	1	4128 / 1801509
K	-Handle Grip	1	2074 / 1800636
L	-Brake Spring	1	1202 / 1800337
M	-Brake Spring clip	1	753 / 1800155
N	Bearing, 3/4"	2	145 / 1800042
	Rubber Strap w/hooks, 15"	1	187 / 1800050

Mounting Hardware

DESCRIPTION	QTY	PART
Bolt hex, 3/8" x 1 1/2"	10	2464 / 1800790
Washer, flat, 3/8"	10	2875 / 1800994
Bolt, hex, 1/2" x 2 1/2"	2	287 / 1804000
Washer, flat, 1/2"	6	2878 / 1800996
Nut, lock, 1/2"	4	2877 / 1800995
Cotter Pin, 1/4" x 3"	4	2475 / 1800801
Nut, lock, 3/8"	10	2874 / 1800993
Hose Clamp, 1-1/2"	4	146 / 1800043
Shaft Collar, 3/4"	2	148 / 1800045

Options

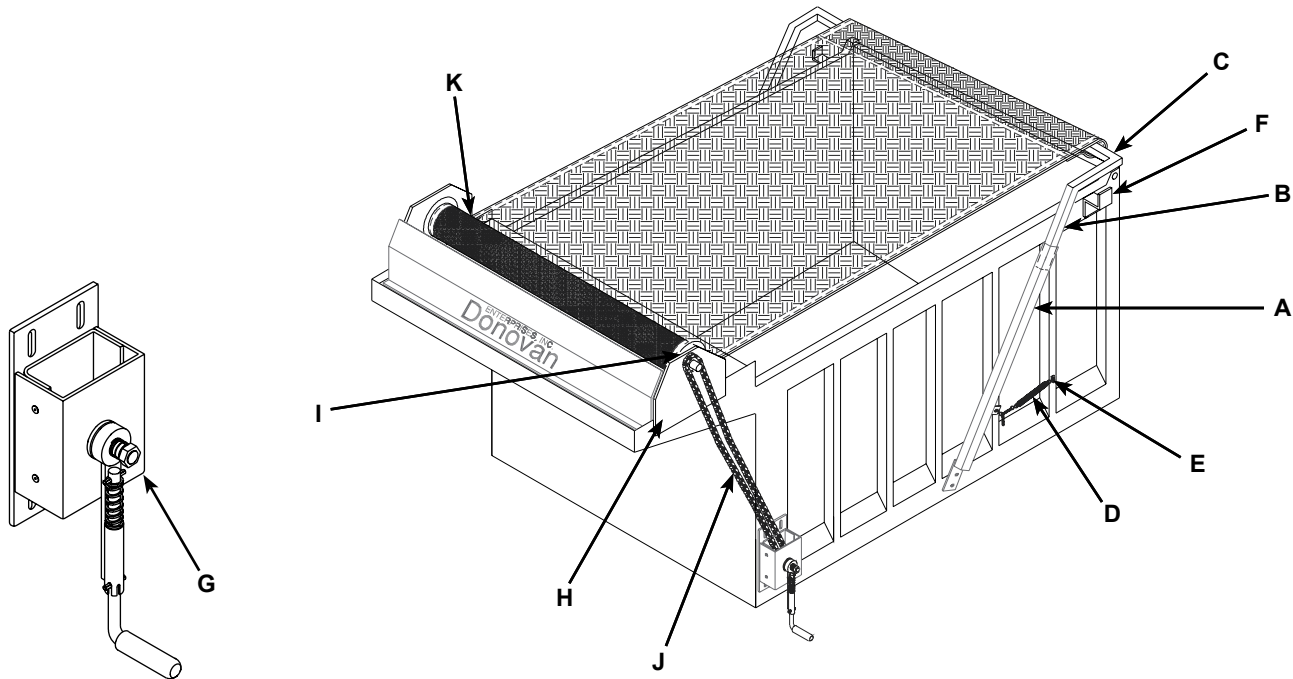
DESCRIPTION	QTY	PART
Wind Deflector	1	1647K / 1801943

Heavy Duty Truck Division Tarp System Parts Catalog - June 2014

Shur-Co®, LLC Donovan of Florida • 3353 SE Gran Park Way • Stuart, FL 34997

Outside the U.S. call (772) 286-3350 • www.donovan-ent.com • e-mail: info@donovan-ent.com

Call (800) 327-8287 or (772) 286-3350 • Fax (772) 287-0431



System Parts

	DESCRIPTION	QTY	PART
	5000GL, full system	1	344 / 1803899
A	Pivot Arm (L), 1-1/4" x 8	1	903 / 1800241
	Pivot Arm (R), 1-1/4" x 8	1	902 / 1800240
B	Bent Arm extension (L), 1" sq.	1	905 / 1800243
	Bent Arm extension (R), 1" sq.	1	904 / 1800242
C	Rear Cross Piece, 1-1/4"sq.	1	2071 / 1800635
D	Spring Extension, 25"	2	116 / 1800037
E	Spring Attachment Angle	2	798 / 1800192
	S-Hook	6	147 / 1800044
	Chain Links, 3/16" x 12"	2	144 / 1800041
F	Pivot Arm Rest	2	952K / 1802081
G	GL Crank Assembly	1	441 / 1800088
H	Bearing Plate, Universal, Steel	2	3270 / 1801201
	Bearing, 3/4"	2	145 / 1800042
I	Shaft and Sprocket	1	2403 / 1800758
J	Chain, #40 x 10'	1	793 / 1800188
K	Roller Bar, 1" dia.	1	121 / 1800038
	Chain Guard (Optional)	1	114 / 1800036

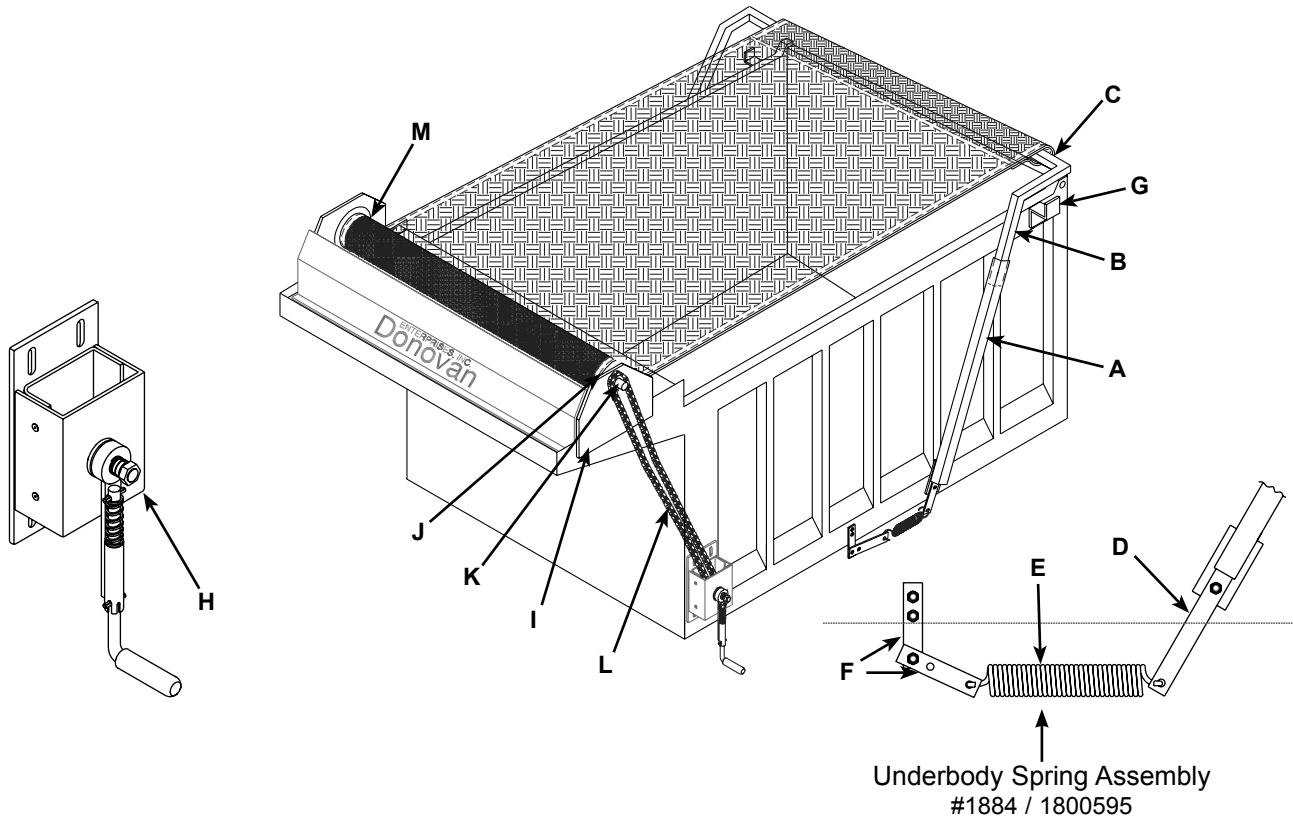
Mounting Hardware

DESCRIPTION	QTY	PART
Bolt, hex, 3/8" x 1 1/2"	8	2464 / 1800790
Washer, flat, 3/8"	12	2875 / 1800994
Nut, lock, 3/8"	8	2874 / 1800993
Bolt, hex, 1/2" x 2 1/2"	2	287 / 1804000
Washer, flat, 1/2"	6	2878 / 1800996
Nut, lock, 1/2"	4	2877 / 1800995
Cotter Pin, 1/4" x 3"	4	2475 / 1800801
Hose Clamp 1 1/2"	4	146 / 1800043
Shaft Collar 3/4"	2	148 / 1800045

Options

DESCRIPTION	QTY	PART
Wind Deflector	1	1647K / 1801943
Chain Guard	1	114 / 1800036

5000GLU



System Parts

DESCRIPTION	QTY	PART
5000GLU, full system	1	1679 / 1803911
A Pivot Arm (L), 1-1/4" x 8	1	903 / 1800241
Pivot Arm (R), 1-1/4" x 8	1	902 / 1800240
B Bent Arm extension (L), 1" sq.	1	905 / 1800243
Bent Arm extension (R), 1" sq.	1	904 / 1800242
C Rear Cross Piece, 1-1/4"sq.	1	2071 / 1800635
D Pivot Arm Bracket, underbody	2	2121 / 1800647
E Spring, underbody, 12"	2	1585 / 1800462
F Spring Mount Bracket, underbody	4	1586 / 1800463
G Pivot Arm Rest	2	952K / 1802081
H GL Crank Assembly	1	441 / 1800088
I Bearing Plate, Universal, Steel	2	3270 / 1801201
J Bearing, 3/4"	2	145 / 1800042
K Shaft and Sprocket	1	2403 / 1800758
L Chain, #40 x 10'	1	793 / 1800188
M Roller Bar, 1" dia.	1	121 / 1800038
Chain Master Link #40	1	272 / 1800058

Mounting Hardware

DESCRIPTION	QTY	PART
Bolt, hex, 3/8" x 1 1/2"	4	2464 / 1800790
Washer, flat, 3/8"	4	2875 / 1800994
Washer, lock, 3/8"	4	2872 / 1800991
Nut, hex, 3/8"	4	2873 / 1800992
Bolt, hex, 1/2" x 2 1/2"	2	287 / 1804000
Washer, flat, 1/2"	6	2878 / 1800996
Nut, hex, 1/2"	4	2473 / 1800799
Cotter Pin, 1/4" x 3"	4	2475 / 1800801
Nut, lock, 3/8"	2	2874 / 1800993
Hose Clamp, 1-1/2"	4	146 / 1800043
Shaft Collar, 3/4"	2	148 / 1800045

Options

DESCRIPTION	QTY	PART
Wind Deflector	1	1647K / 1801943
Chain Guard	1	114 / 1800036

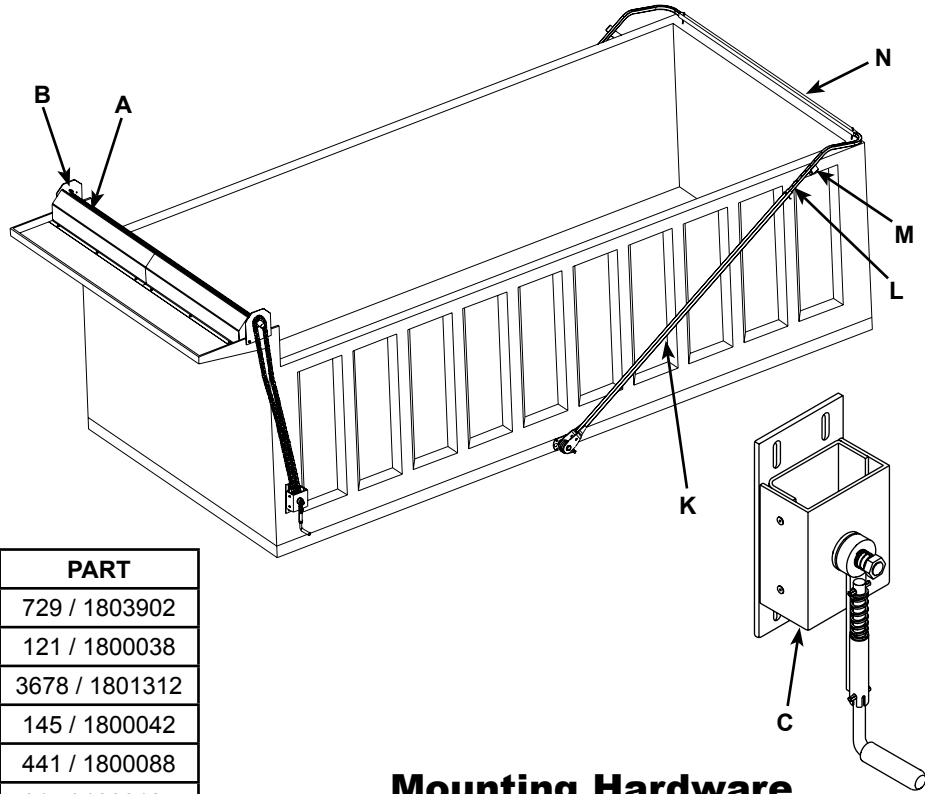
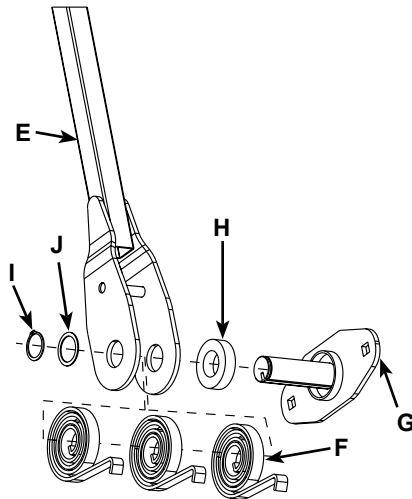
Heavy Duty Truck Division Tarp System Parts Catalog - June 2014

Shur-Co®, LLC Donovan of Florida • 3353 SE Gran Park Way • Stuart, FL 34997

Outside the U.S. call (772) 286-3350 • www.donovan-ent.com • e-mail: info@donovan-ent.com

Call (800) 327-8287 or (772) 286-3350 • Fax (772) 287-0431

5000XGL



System Parts

	DESCRIPTION	QTY	PART
	5000XGL, full system	1	729 / 1803902
A	Roller Bar, 1" dia.	1	121 / 1800038
B	Bearing Plate w/ Bearing	2	3678 / 1801312
	-Bearing, 3/4"	2	145 / 1800042
C	GL Crank Assembly	1	441 / 1800088
	Pivot Arm, lower, passenger side	1	615 / 1800124
E	-Pivot Arm 5000XL	1	4657 / 1801757
F	-Spring, Flat Coil, Torsion	3	2416 / 1800763
G	-Pivot Mount, Universal	1	1787 / 1800533
H	-Spacer, 1.25" Shaft Collar	1	4676 / 1801764
I	-Ring, Retaining, 1 1/4"	1	2834 / 1800978
J	-Shim 1 1/4 x .047	1	2833 / 1800977
K	Pivot Arm, lower, driver side	1	614 / 1800123
	-Pivot Arm 5000XL	1	4657 / 1801757
	-Spring, Flat Coil, Torsion	3	2416 / 1800763
	-Shim 1 1/4 x .047	1	2833 / 1800977
	-Ring, Retaining, 1 1/4"	1	2834 / 1800978
	-Pivot Mount, Universal	1	1787 / 1800533
	-Spacer, 1.25" Shaft Collar	1	4676 / 1801764
L	Pivot Arm, Upper, driver side	1	4668 / 1801759
	Pivot Arm, Upper, pass. side	1	4669 / 1801760
M	Pivot Arm Rest	2	952K / 1802081
N	Rear Cross Piece	1	4667 / 1801758
	Shaft and Sprocket	1	2403 / 1800758
	Chain, #40 x 10'	1	793 / 1800188

Mounting Hardware

#1177 / 1800328

DESCRIPTION	QTY	PART
Bolt hex, 3/8" x 1 1/2"	4	2464 / 1800790
Washer, flat, 3/8"	4	2875 / 1800994
Nut, lock, 3/8"	4	2874 / 1800993
Bolt, Carriage, 5/16" x 2 1/2"	2	3237 / 1801187
Washer, flat, 5/16"	2	2867 / 1800989
Nut, lock, 5/16"	2	2868 / 1800990
Bolt, hex, 5/16" x 3/4"	3	2418
Screw, Sheet Metal #10 x 3/4"	2	3709 / 1804897
Bolt, Carriage, 1/2" x 2	4	
Washer, flat, 1/2"	4	2878 / 1800996
Nut, lock, 1/2"	4	2874 / 1800993
Cotter Pin, 1/4" x 2 1/2"	4	2475 / 1800801

Options

DESCRIPTION	QTY	PART
Wind Deflector	1	1647K / 1801943
Chain Guard	1	114 / 1800036

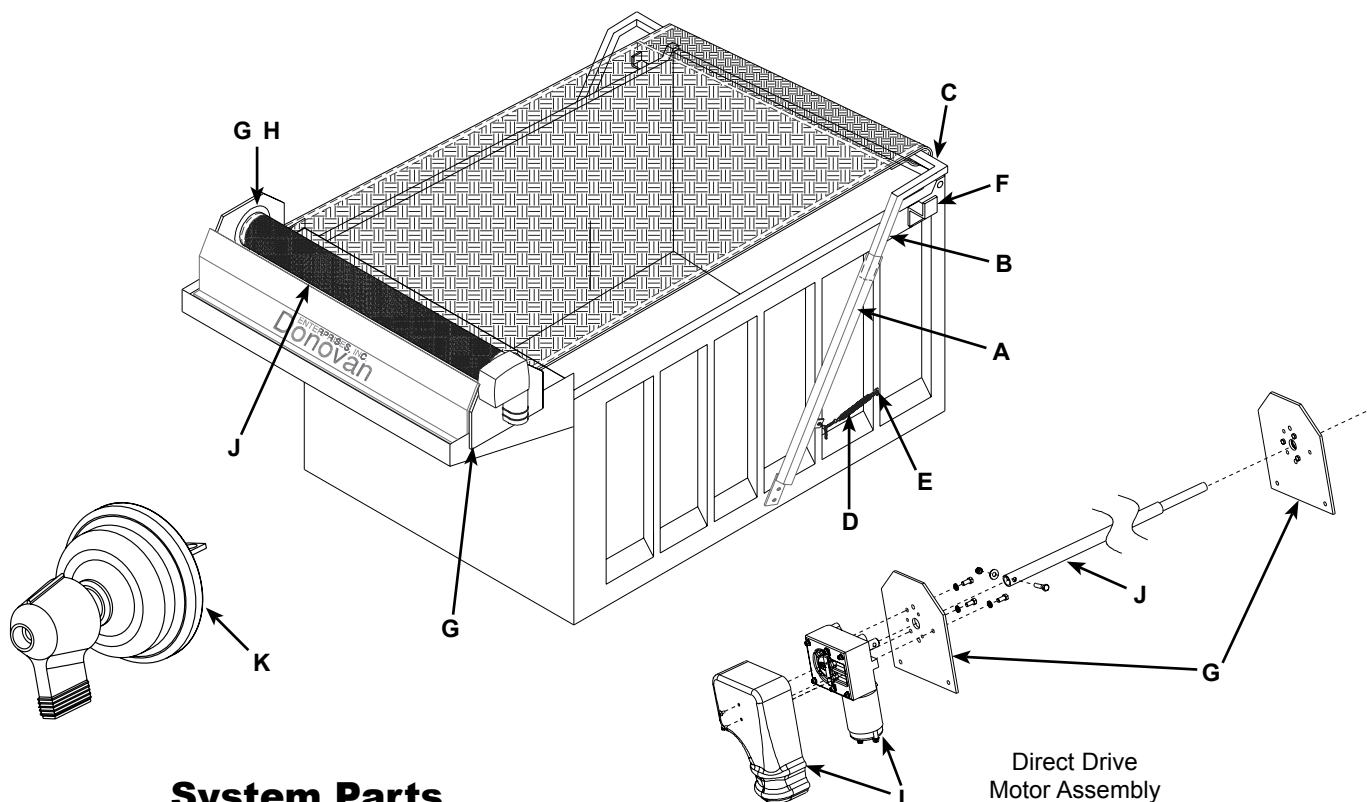
Heavy Duty Truck Division Tarp System Parts Catalog - June 2014

Shur-Co®, LLC Donovan of Florida • 3353 SE Gran Park Way • Stuart, FL 34997

Outside the U.S. call (772) 286-3350 • www.donovan-ent.com • e-mail: info@donovan-ent.com

Call (800) 327-8287 or (772) 286-3350 • Fax (772) 287-0431

5000ELD



System Parts

	DESCRIPTION	QTY	PART
	5000ELD, full system	1	168 / 1803898
A	Pivot Arm (L), 1-1/4" x 8'	1	903 / 1800241
	Pivot Arm (R), 1-1/4" x 8'	1	902 / 1800240
B	Bent Arm extension (L), 1" sq.	1	905 / 1800243
	Bent Arm extension (R), 1" sq.	1	904 / 1800242
C	Rear Cross Piece, 1-1/4"sq.	1	2071 / 1800635
D	Spring Extension, 25"	2	116 / 1800037
E	Spring Attachment Angle	2	798 / 1800192
	S-Hook	6	147 / 1800044
	Chain Links, 3/16" x 12"	2	144 / 1800041
F	Pivot Arm Rest	2	952K / 1802081
G	Bearing Plate, Universal, Steel	2	3270 / 1801201
H	Bearing, 3/4"	1	145 / 1800042
I	Motor, Direct Drive w/ cover	1	61G / 1802061
J	Roller Bar, 1" dia., steal	1	121 / 1800038
	Wire, 60', 8 gauge	1	89 / 1800028
	Rotary Switch Kit	1	85N / 1802076
K	-Rotary Switch	1	600 / 1800120

Mounting Hardware

DESCRIPTION	QTY	PART
Bolt, hex, 3/8" x 1 1/2"	4	2464 / 1800790
Washer, flat, 3/8"	4	2875 / 1800994
Nut, lock, 3/8"	4	2874 / 1800993
Bolt, hex, 1/2" x 2 1/2"	2	287 / 1804000
Washer, flat, 1/2"	6	2878 / 1800996
Nut, lock, 1/2"	4	2877 / 1800995
Cotter Pin, 1/4" x 3"	4	2475 / 1800801
Screw, Sheet Metal #10	2	3709 / 1804897
Bolt, hex, 5/16" x 3/4"	3	2417 / 1800764
Nut, lock, 5/16"	1	2868 / 1800990
Hose Clamp, 1-1/2"	4	146 / 1800043
Bolt 5/16" x 2 1/2"	1	3237 / 1801187

Options

DESCRIPTION	QTY	PART
Wind Deflector	1	1647K / 1801943

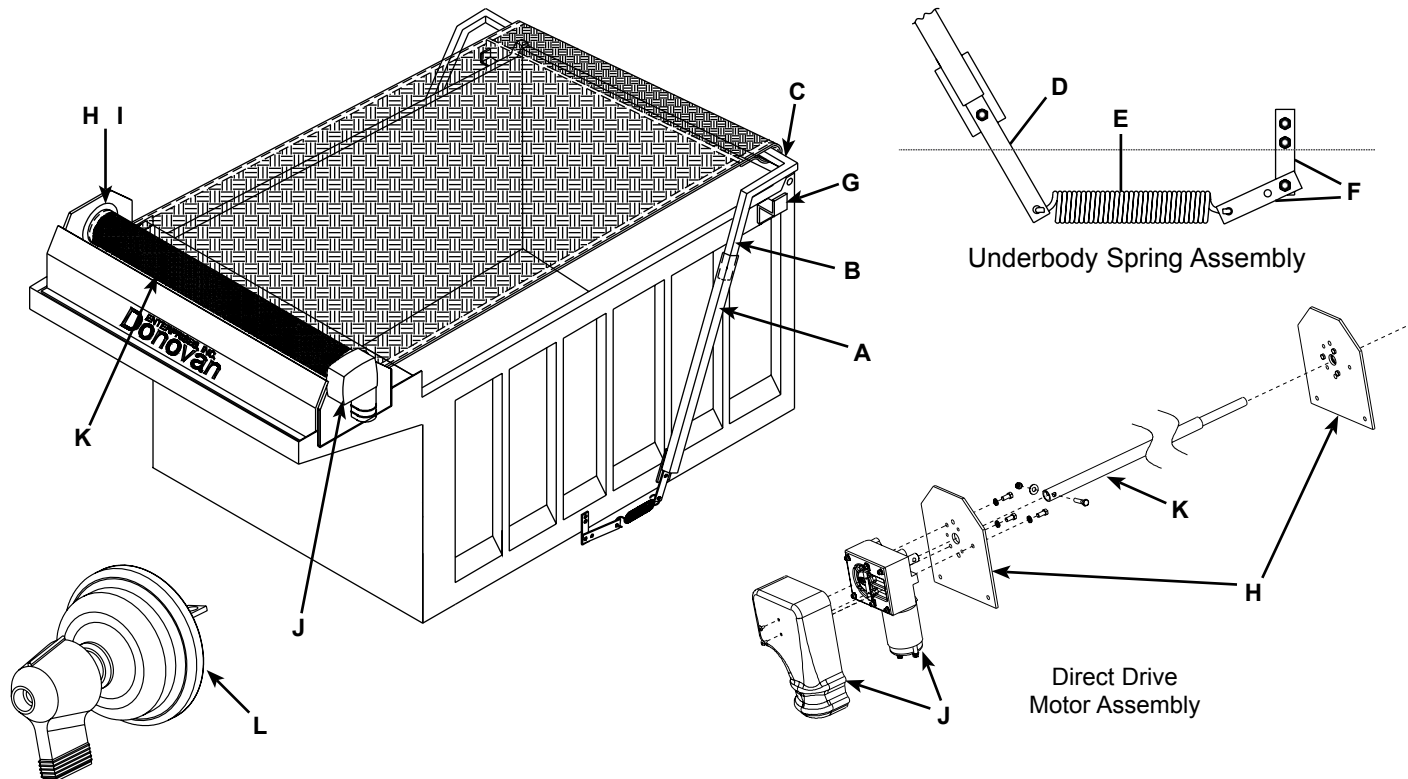
Heavy Duty Truck Division Tarp System Parts Catalog - June 2014

Shur-Co®, LLC Donovan of Florida • 3353 SE Gran Park Way • Stuart, FL 34997

Outside the U.S. call (772) 286-3350 • www.donovan-ent.com • e-mail: info@donovan-ent.com

Call (800) 327-8287 or (772) 286-3350 • Fax (772) 287-0431

5000ELUD



System Parts

	DESCRIPTION	QTY	PART
	5000ELUD, full system	1	161 / 1803897
A	Pivot Arm (L), 1-1/4" x 8'	1	903 / 1800241
	Pivot Arm (R), 1-1/4" x 8'	1	902 / 1800240
B	Bent Arm extension (L), 1" sq.	1	905 / 1800243
	Bent Arm extension (R), 1" sq.	1	904 / 1800242
C	Rear Cross Piece, 1-1/4"sq.	1	2071 / 1800635
D	Pivot Arm Bracket, underbody	2	2121 / 1800647
E	Spring, underbody, 12"	2	1585 / 1800462
F	Spring Mount Bracket, underbody	4	1586 / 1800463
G	Pivot Arm Rest	2	952K / 1802081
H	Bearing Plate, Universal, Steel	2	3270 / 1801201
I	Bearing, 3/4"	1	145 / 1800042
J	Motor Direct Drive w/cover	1	61G / 1802061
K	Roller Bar, 1" dia., steal	1	121 / 1800038
	Wire, 60', 8 gauge	1	89 / 1800028
	Rotary Switch Kit	1	85N / 1802076
L	-Rotary Switch	1	600 / 1800120

Mounting Hardware

DESCRIPTION	QTY	PART
Bolt, hex, 3/8" x 1 1/2"	10	2464 / 1800790
Washer, flat, 3/8"	10	2875 / 1800994
Nut, lock, 3/8"	10	2874 / 1800993
Bolt, hex, 1/2" x 2 1/2"	2	287 / 1804000
Washer, flat, 1/2"	6	2878 / 1800996
Nut, lock, 1/2"	4	2877 / 1800995
Cotter Pin, 1/4" x 3"	4	2475 / 1800801
Screw, Sheet Metal #10	2	3709 / 1804897
Nut, lock, 5/16"	1	2868 / 1800990
Hose Clamp, 1-1/2"	4	146 / 1800043
Bolt, hex, 5/16" x 3/4"	3	2417 / 1800764
Bolt, hex, 5/16" x 2 1/2"	1	3237 / 1801187

Options

DESCRIPTION	QTY	PART
Aluminum Wind Deflector	1	1216K / 1801919
Steel Wind Deflector	1	1647K / 1801943

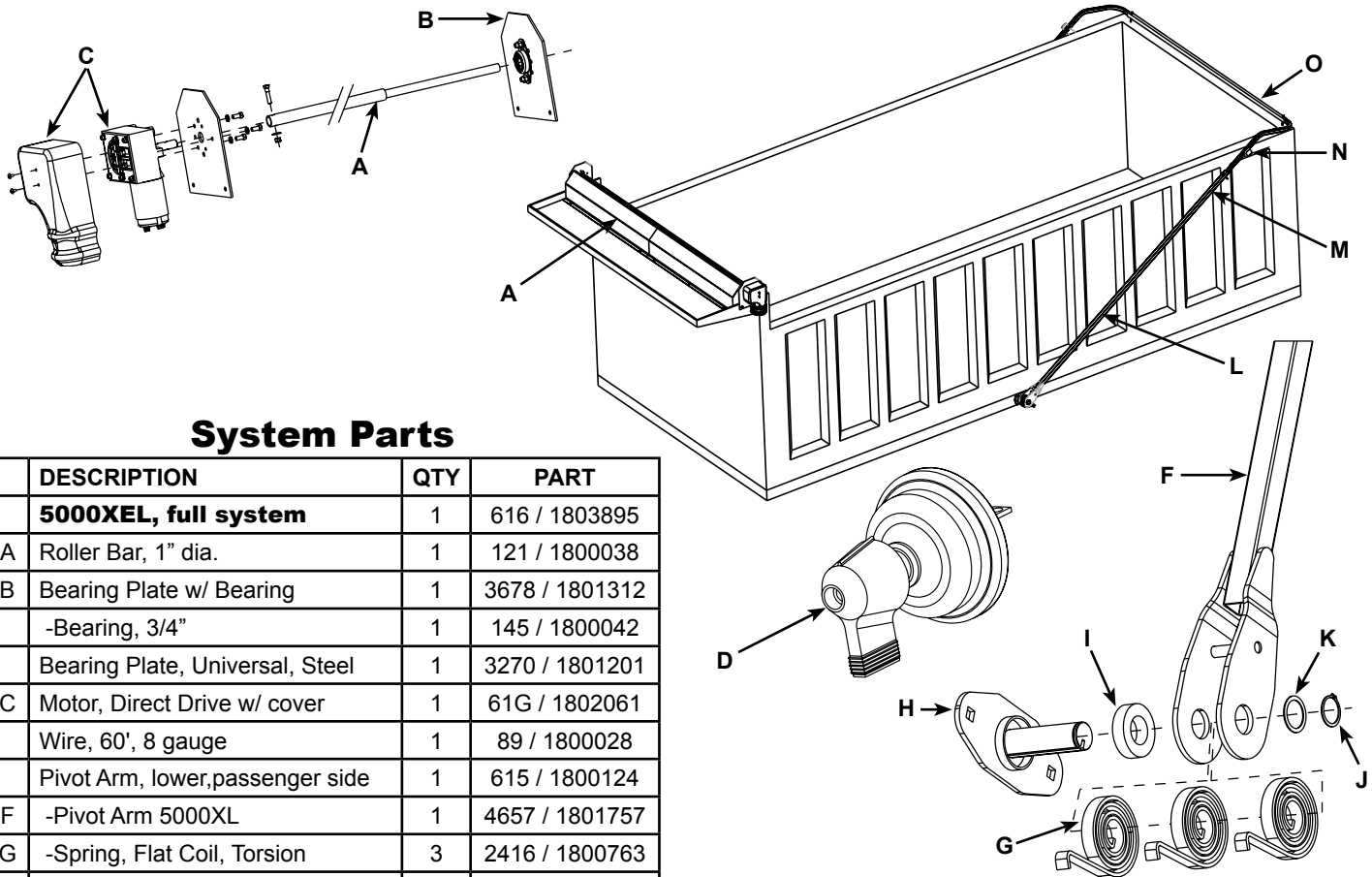
Heavy Duty Truck Division Tarp System Parts Catalog - June 2014

Shur-Co®, LLC Donovan of Florida • 3353 SE Gran Park Way • Stuart, FL 34997

Outside the U.S. call (772) 286-3350 • www.donovan-ent.com • e-mail: info@donovan-ent.com

Call (800) 327-8287 or (772) 286-3350 • Fax (772) 287-0431

5000XEL



System Parts

DESCRIPTION	QTY	PART
5000XEL, full system	1	616 / 1803895
A Roller Bar, 1" dia.	1	121 / 1800038
B Bearing Plate w/ Bearing	1	3678 / 1801312
-Bearing, 3/4"	1	145 / 1800042
Bearing Plate, Universal, Steel	1	3270 / 1801201
C Motor, Direct Drive w/ cover	1	61G / 1802061
Wire, 60', 8 gauge	1	89 / 1800028
Pivot Arm, lower, passenger side	1	615 / 1800124
F -Pivot Arm 5000XL	1	4657 / 1801757
G -Spring, Flat Coil, Torsion	3	2416 / 1800763
H -Pivot Mount, Universal	1	4304 / 1803932
I -Spacer, 1.25" Shaft Collar	1	4676 / 1801764
J -Ring, Retaining, 1 1/4"	1	2834 / 1800978
K -Shim 1 1/4 x .047	1	2833 / 1800977
L Pivot Arm, lower, driver side	1	614 / 1800123
-Pivot Arm 5000XL	1	4657 / 1801757
-Spring, Flat Coil, Torsion	3	2416 / 1800763
-Shim 1 1/4 x .047	1	2833 / 1800977
-Ring, Retaining, 1 1/4"	1	2834 / 1800978
-Pivot Mount, Universal	1	4304 / 1803932
-Spacer, 1.25" Shaft Collar	1	4676 / 1801764
M Pivot Arm, Upper, driver side	1	4668 / 1801759
Pivot Arm, Upper, passenger side	1	4669 / 1801760
N Pivot Arm Rest	2	952K / 1802081
O Rear Cross Piece	1	4667 / 1801758
Rotary Switch Kit	1	85N / 1802076
D -Rotary Switch	1	600 / 1800120

Mounting Hardware

#1177

DESCRIPTION	QTY	PART
Bolt, hex, 3/8" x 1 1/2"	4	2464 / 1800790
Washer, flat, 3/8"	4	2875 / 1800994
Nut, lock, 3/8"	4	2874 / 1800993
Bolt, Carriage, 5/16"x 2 1/2"	2	3237 / 1801187
Washer, flat, 5/16"	2	2867 / 1800989
Nut, lock, 5/16"	2	2868 / 1800990
Bolt, hex, 5/16" x 3/4"	3	2418
Screw, Sheet Metal #10x3/4"	2	3709 / 1804897
Bolt, Carriage, 1/2" x 1.5"	4	3937 / 1801407
Washer, flat, 1/2"	4	2878 / 1800996
Nut, lock, 1/2"	4	2874 / 1800993
Cotter Pin, 1/4" x 2 1/2"	4	2475 / 1800801
Hose Clamps	4	146 / 1800043

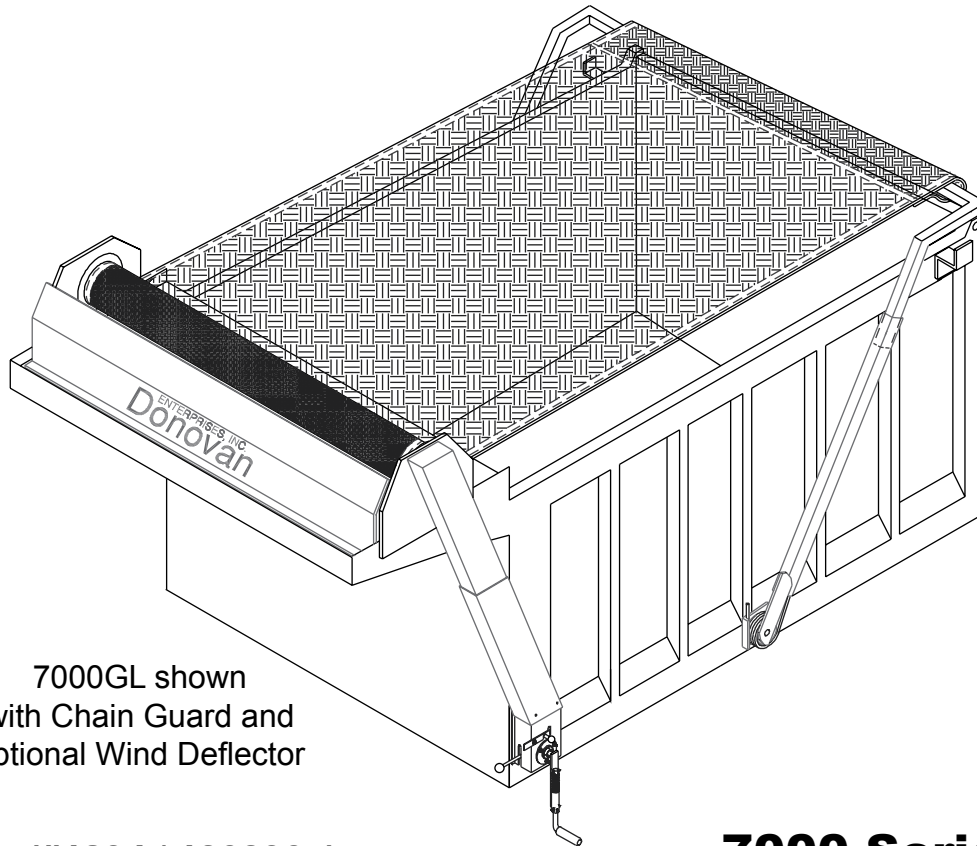
Heavy Duty Truck Division Tarp System Parts Catalog - June 2014

Shur-Co®, LLC Donovan of Florida • 3353 SE Gran Park Way • Stuart, FL 34997

Outside the U.S. call (772) 286-3350 • www.donovan-ent.com • e-mail: info@donovan-ent.com

Call (800) 327-8287 or (772) 286-3350 • Fax (772) 287-0431

7000 Series



7000GL shown
with Chain Guard and
optional Wind Deflector

7000GL (#1294 / 1803907)

- Ground Level Control
- Enclosed Crank Box Housing
- Disengaging Handle
- Positive Locking Brake System
- 10' of 40# Chain
- Chain Guard
- Wind Deflector (Optional)

7000ELD (#35 / 1803896)

- 12 volt Direct Drive Motor
- Cab Mounted Control Switch
- Circuit Breaker w/ auto reset
- 3-Year Full Replacement Motor Warranty
- Wind Deflector (Optional)
- 24 volt Direct Drive Motor (Optional)

7000 Series

Standard Features:

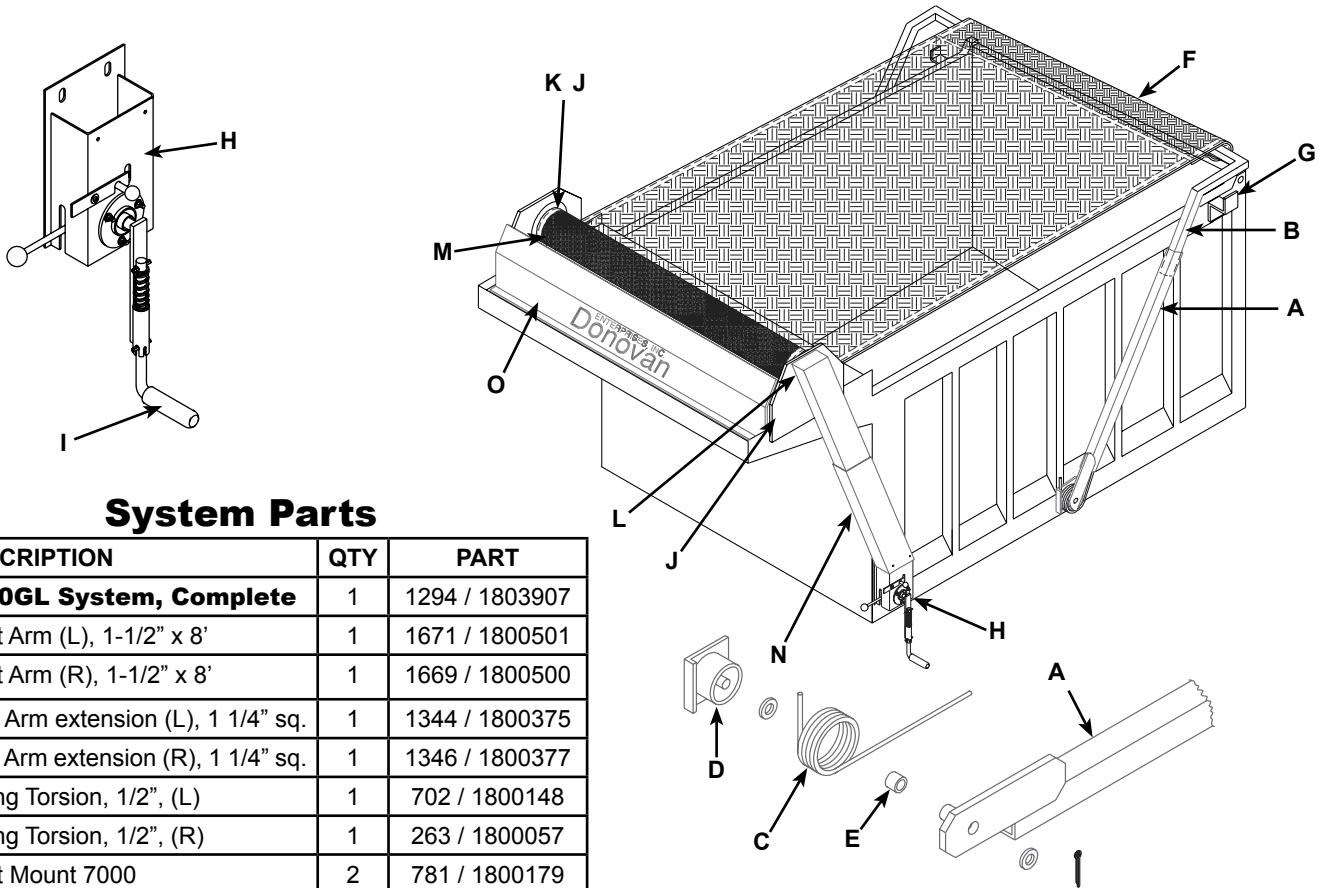
- One size fits up to 20 ft. bodies
- 1-1/2" Square Tube "Easy-Off" Pivot Arms
- Bent Pivot Arm Extensions
- 1/2" Chrome Silicon Torsion Springs

- Chain Guard

Optional Upgrades:

- Wind Deflector
- Pivot Arm Rests

7000GL



System Parts

	DESCRIPTION	QTY	PART
	7000GL System, Complete	1	1294 / 1803907
A	Pivot Arm (L), 1-1/2" x 8"	1	1671 / 1800501
	Pivot Arm (R), 1-1/2" x 8"	1	1669 / 1800500
B	Bent Arm extension (L), 1 1/4" sq.	1	1344 / 1800375
	Bent Arm extension (R), 1 1/4" sq.	1	1346 / 1800377
C	Spring Torsion, 1/2", (L)	1	702 / 1800148
	Spring Torsion, 1/2", (R)	1	263 / 1800057
D	Pivot Mount 7000	2	781 / 1800179
E	Bearing, oil impregnated, 1"	2	1665 / 1800497
F	Rear Cross Piece	1	1348 / 1800378
G	Pivot Arm Rest (Optional)	2	952 / 1800254
H	GL Control Box, 7000/9000	1	780 / 1800178
I	-Crank Handle	1	1000 / 1800275
	Chain, #40 x 10'	1	793 / 1800188
	Chain, Master Link, #40	1	272 / 1800058
J	Bearing Plate, Universal	2	3270 / 1801201
K	-Bearing, Flange, 3/4"	2	145 / 1800042
L	Shaft/Sprocket Assembly	1	2403 / 1800758
M	Roller Bar, Aluminum	1	2365 / 1800737
N	Chain Guard, Complete	1	2083 / 1800639
	-Chain Guard Upper	1	790 / 1800185
	-Chain Guard Lower	1	791 / 1800186
	-Chain Guard Bracket	3	1412 / 1800404
O	Wind Deflector, 2 piece (Optional)	1	1647K / 1801943
	Extension shaft, 3/4"	1	2838 / 1800980

Mounting Hardware

DESCRIPTION	QTY	PART
Bolt, hex, 3/8" x 1 1/2"	11	2464 / 1800790
Washer, lock, 3/8"	4	2872 / 1800991
Nut, hex, 3/8"	4	2873 / 1800992
Bolt, hex, 1/4" x 5/8"	2	2432 / 1800771
Washer, lock, 1/4"	12	2458 / 1800785
Bolt, hex, 3/8" x 1/2"	2	4107 / 1801497
Nut, lock, 3/8"	9	2874 / 1800993
Screw self tap, 1/4" x 3/4"	12	3299 / 1801224
Cotter Pin, 1/4" x 3"	6	2475 / 1800801
Washer, flat, 3/8"	18	2875 / 1800994
Shaft Collar 3/4"	2	148 / 1800045
Washer 1", 2 1/2" OD	4	182 / 1800048
Nut, lock, 5/16"	2	2868 / 1800990
Bolt, carriage 5/16"x2 1/2"	2	3237 / 1801187
Washer, flat, 5/16"	2	2867 / 1800989

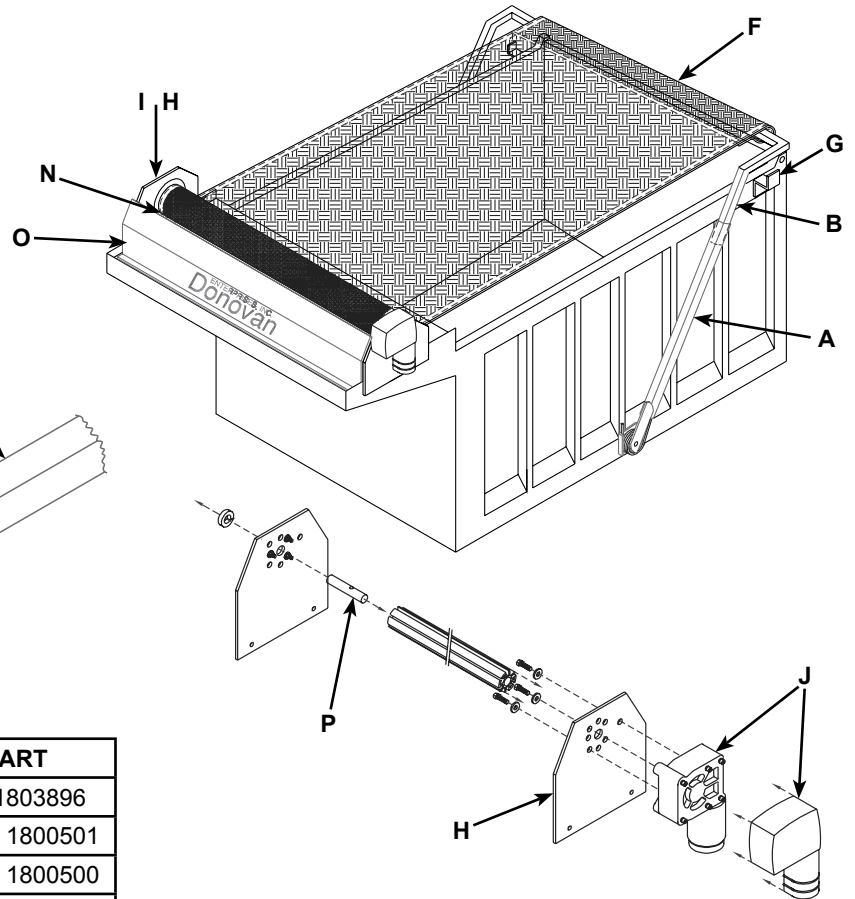
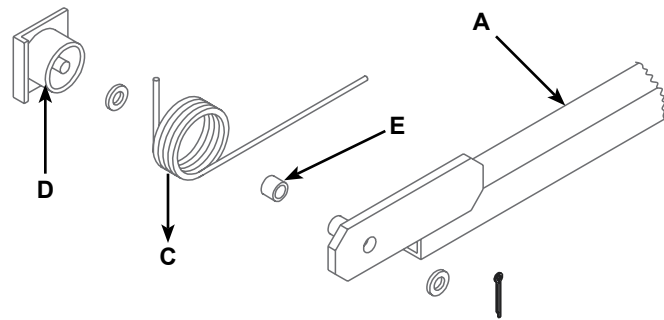
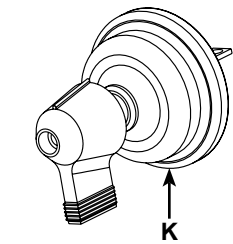
Heavy Duty Truck Division Tarp System Parts Catalog - June 2014

Shur-Co®, LLC Donovan of Florida • 3353 SE Gran Park Way • Stuart, FL 34997

Outside the U.S. call (772) 286-3350 • www.donovan-ent.com • e-mail: info@donovan-ent.com

Call (800) 327-8287 or (772) 286-3350 • Fax (772) 287-0431

7000ELD



System Parts

	DESCRIPTION	QTY	PART
	7000ELD, full system	1	35 / 1803896
A	Pivot Arm (L), 1-1/2" x 8'	1	1671 / 1800501
	Pivot Arm (R), 1-1/2" x 8'	1	1669 / 1800500
B	Bent Arm extension (L), 1 1/4" sq.	1	1344 / 1800375
	Bent Arm extension (R), 1 1/4" sq.	1	1346 / 1800377
C	Spring Torsion, 1/2", (L)	1	702 / 1800148
	Spring Torsion, 1/2", (R)	1	263 / 1800057
D	Pivot Mount 7000	2	781 / 1800179
E	Bearing, oil impregnated, 1"	2	1665 / 1800497
F	Rear Cross Piece	1	1348 / 1800378
G	Pivot Arm Rest (Optional)	2	952 / 1800254
H	Bearing Plate, Universal	2	3270 / 1801201
I	Bearing, Flange, 3/4"	1	145 / 1800042
J	Motor, Direct Drive w/ cover	1	61G / 1802061
N	Roller Bar, Extruded Aluminum	1	2365 / 1800737
O	Wind Deflector, 2 piece (Optional)	1	1647K / 1801943
P	Extension shaft, 3/4" x 4"	1	2838 / 1800980
	Rotary Switch Kit	1	85N / 1802076
K	-Rotary Switch	1	600 / 1800120

Mounting Hardware

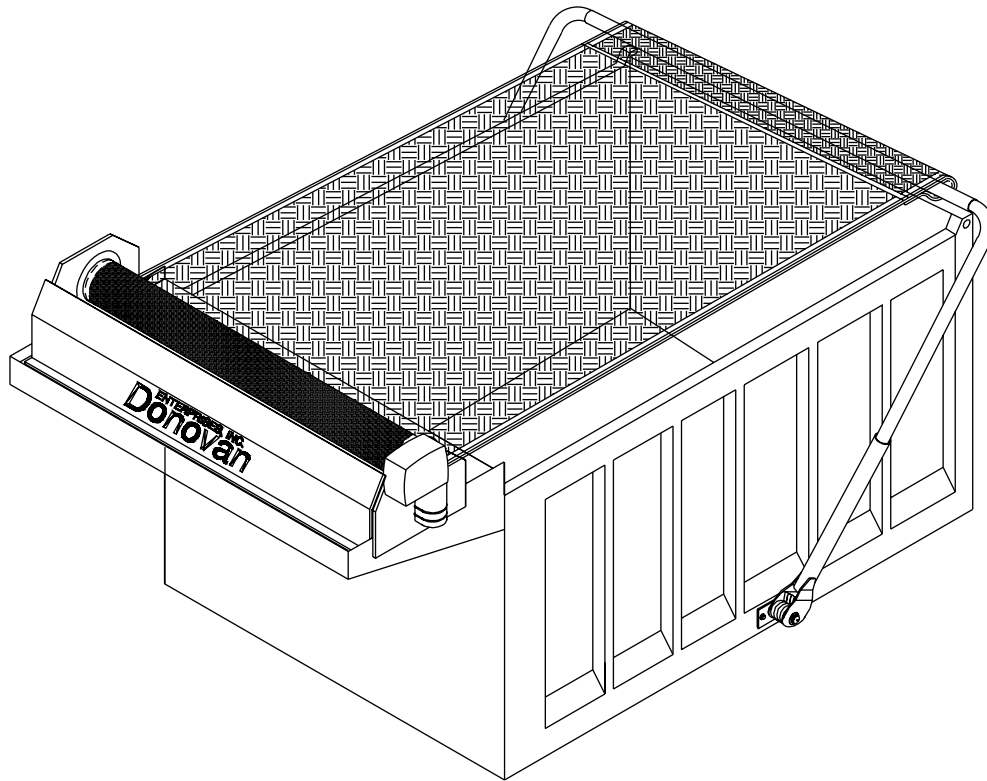
DESCRIPTION	QTY	PART
Bolt hex, 3/8" x 1 1/2"	8	2464 / 1800790
Washer, lock, 3/8"	4	2872 / 1800991
Nut, lock, 3/8"	4	2874 / 1800993
Nut, lock, 5/16"	2	2868 / 1800990
Cotter Pin, 1/4" x 3"	6	2475 / 1800801
Screw, Sheet Metal #10x 3/4"	2	2476 / 1800802
Bolt, Hex, 5/16" x 3/4"	3	2418
Washer, flat, 3/8"	12	2875 / 1800994
Nut, Lock, 3/8"	4	2874 / 1800993
Washer, flat 1", 2 1/2" OD	4	182 / 1800048
Bolt, carriage, 5/16" x 2 1/2"	2	3237 / 1801187
Washer, flat 5/16"	2	2867 / 1800989
3/4" Shaft Collar	1	450 / 1800089

Heavy Duty Truck Division Tarp System Parts Catalog - June 2014

Shur-Co®, LLC Donovan of Florida • 3353 SE Gran Park Way • Stuart, FL 34997

Outside the U.S. call (772) 286-3350 • www.donovan-ent.com • e-mail: info@donovan-ent.com

Call (800) 327-8287 or (772) 286-3350 • Fax (772) 287-0431



Hammer (#2942 / 1801011)

- Premium steel covering system for dump bodies up to 23 feet long.

Hammer

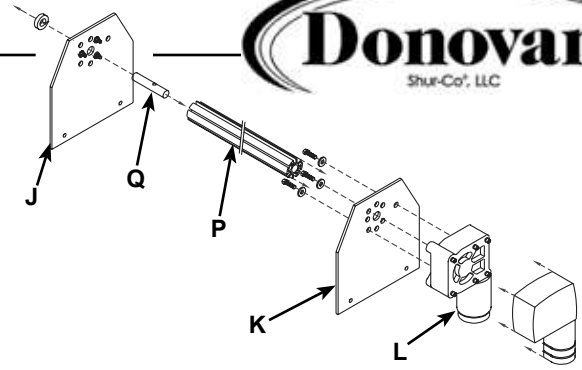
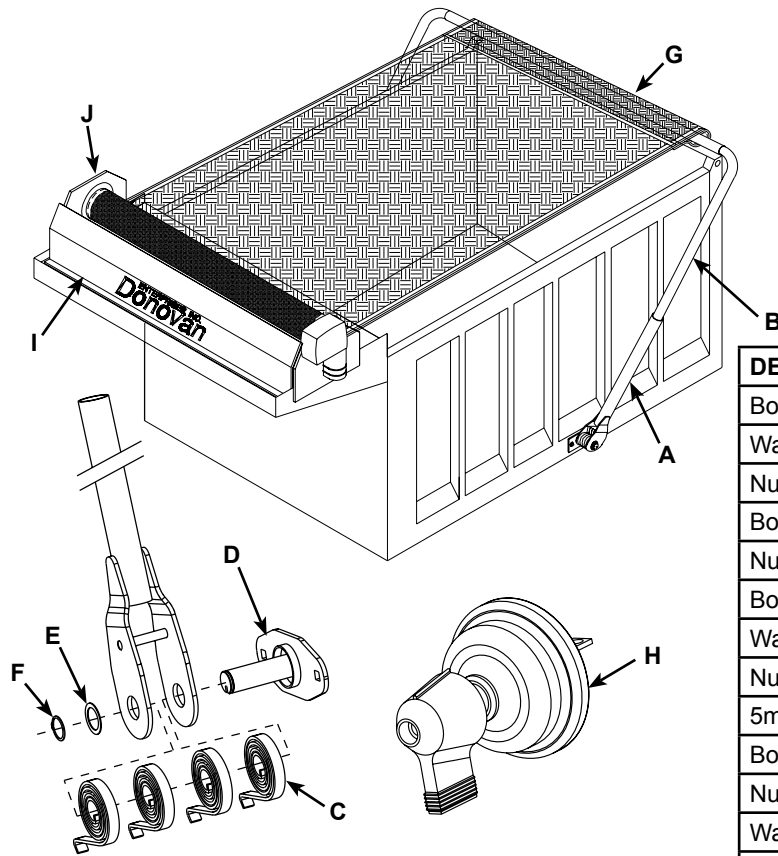
Standard Features:

- One size fits up to 23ft. bodies.
- 1.69" Round Tube "Easy-Off" Pivot Arms
- 8 Flat Coil Torsion Springs

Optional Upgrades:

- 40 AMP Durabuilt Rocker Switch Kit
- Wind Deflector, 2 piece
- Pivot Arm Rests

Hammer



Mounting Hardware

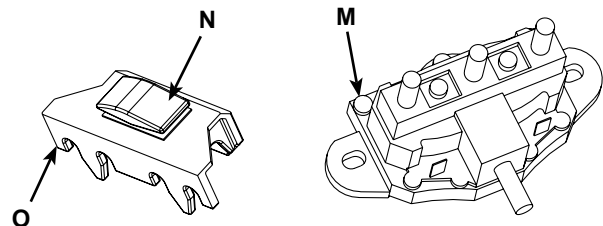
DESCRIPTION	QTY	PART
Bolt, hex, 3/8" x 1 1/2"	8	2464 / 1800790
Washer, flat, 3/8"	8	2875 / 1800994
Nut, hex lock, 3/8"	8	2874 / 1800993
Bolt, allen head, 1/4" x 1 1/4"	2	3954 / 1801422
Nut, tee, 1/4"	2	1915 / 1800610
Bolt, hex 1/2" x 1 1/2"	4	2883 / 1800998
Washer, flat, 1/2"	4	2878 / 1800996
Nut, hex lock, 1/2"	4	2877 / 1800995
5mm Allen Wrench	1	3556 / 1804882
Bolt, carriage, 5/16" x 2 1/2"	2	3237 / 1801187
Nut, hex lock, 5/16"	4	2868 / 1800990
Washer, flat, 1/2"	4	2867 / 1800989
Rubber Bumper	2	2948 / 1801012
5/16" x 1" Carriage Bolt	2	2460 / 1804628
5/16" x 3/4" Bolt	3	2418
Sheet metal screws #10 x 3/8"	2	3709 / 1804897
3/4" Shaft Collar	1	450 / 1800089

System Parts

	DESCRIPTION	QTY	PART
	HAMMER, full system	1	2942 / 1801011
A	Pivot Arm, Lower Assy., 1.69"	2	3688 / 1801318
B	Pivot Arm, Upper, 1.315"	2	3691 / 1801321
C	Spring, Coil Torsion	8	2416 / 1800763
D	Pivot Arm Mounting Assy.	2	1787 / 1800533
E	Shim, 1.25" x .047"	2	2833 / 1800977
F	Retaining Ring	2	2834 / 1800978
G	Rear Cross Piece, 1.69" round steel	1	3689 / 1801319
	Rotary Switch Kit	1	85N / 1802076
H	-Rotary Switch	1	600 / 1800120
J	Univ. Bearing Plate w/ bearing	1	3678 / 1801312
K	Universal Bearing Plate	1	3270 / 1801201
L	Motor Direct Drive	1	61G / 1802061
	-Chrome Motor Cover	1	4278 / 1801585
	Wire, 60', 8 gauge	1	89 / 1800028
P	Roller Bar, aluminum	1	2365 / 1800737
Q	Extension Shaft, 3/4" x 4"	1	2838 / 1800980

Options

	DESCRIPTION	QTY	PART
	Durabuilt Switch Kit	1	1495 / 1800432
	-40 Amp circuit breaker	1	1856 / 1800575
M	-Solenoid	1	1464 / 1800418
N	-Rocker Switch	1	1897 / 1800602
O	-Rocker Switch Bracket	1	1532 / 1800440
	Pivot Arm Rest	2	3694K / 1802008
I	Wind Deflector, 2 piece	1	1647K / 1801943

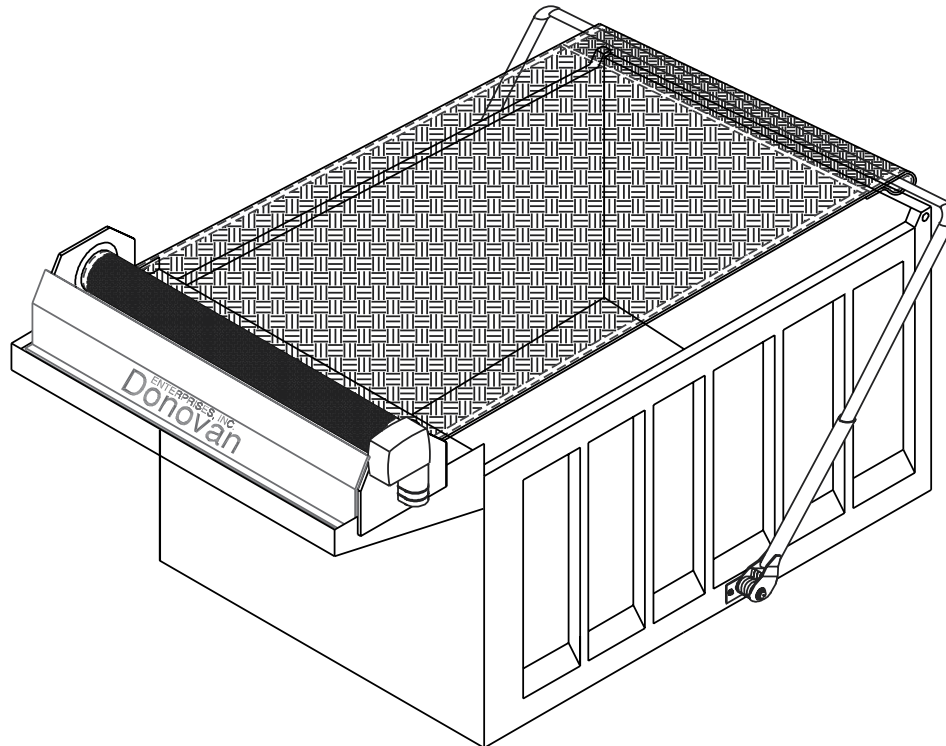


Heavy Duty Truck Division Tarp System Parts Catalog - June 2014

Shur-Co®, LLC Donovan of Florida • 3353 SE Gran Park Way • Stuart, FL 34997

Outside the U.S. call (772) 286-3350 • www.donovan-ent.com • e-mail: info@donovan-ent.com

Call (800) 327-8287 or (772) 286-3350 • Fax (772) 287-0431



Bullet (#2858 / 1800987)

- Premium aluminum automatic covering system for dump bodies up to 23 feet long.

Bullet 30° (#2858A-1 / 1801974)

- Premium aluminum automatic covering system with 30° bend arms for dump bodies up to 23 feet long.

Bullet GL (#2858GL / 1801977)

- Premium aluminum manual, ground level, covering system for dump bodies up to 23 feet long.

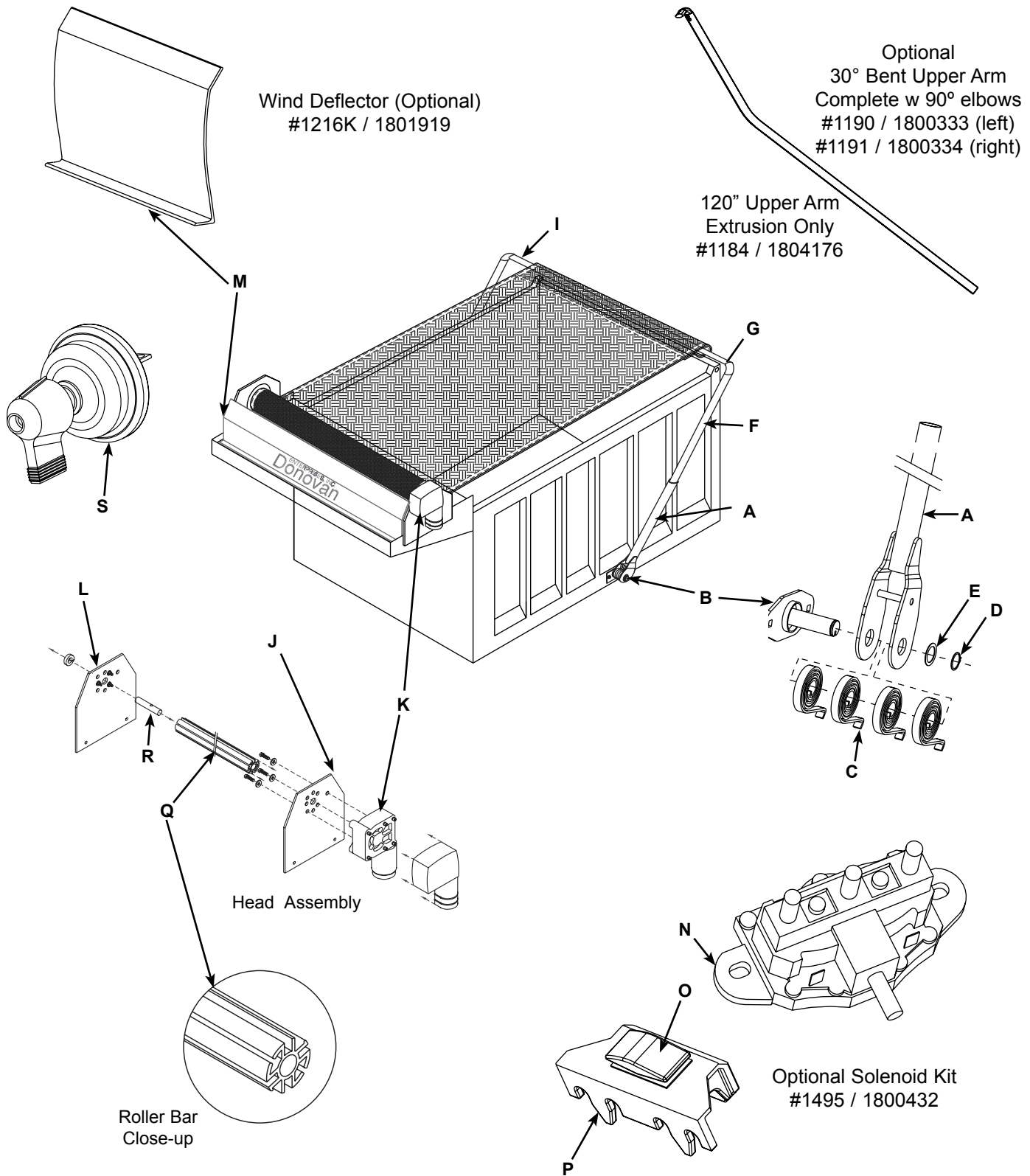
Bullet

Standard Features:

- Anodized Aluminum Pivot Arms that never rust
- 12v Direct Drive Motor with 3-Year Warranty
- Extruded Aluminum Roller Bar
- Complete bolt-on assembly, no welding needed

Optional Upgrades:

- 40 AMP Durabuilt Rocker Switch Kit
- Wind Deflector, 2 piece
- Pivot Arm Rests



System Parts

	DESCRIPTION	QTY	PART
	BULLET, full system	1	2858 / 1800987
	BULLET 30°, full system	1	2858A-1 / 1801974
	BULLET GL, full system	1	2858GL / 1801977
	Pivot Arm, L/H, Lower Assy.	1	8001 / 1801804
A	-Pivot Arm, L/H, Lower	1	3211 / 1801176
B	-Pivot Arm Mounting Assy., L/H	1	1787 / 1800533
C	-Spring, Flat Coil, Torsion	4	2416 / 1800763
D	-Ring, Retaining, 1 1/4"	1	2834 / 1800978
E	-Shim, 1 1/4" x .047"	1	2833 / 1800977
	Rear Cross Piece, 100", Alum.	1	3279 / 1801205
	Pivot Arm, R/H, Lower Assy.	1	8002 / 1801805
	-Pivot Arm, R/H, Lower	1	3211 / 1801176
	-Pivot Arm Mounting Assy., R/H	1	1787 / 1800533
	-Spring, Flat Coil, Torsion	4	2416 / 1800763
	-Ring, Retaining, 1 1/4"	1	2834 / 1800978
	-Shim, 1 1/4" x .047"	1	2833 / 1800977
	Wire, 60', 8 gauge	1	89 / 1800028
	Pivot Arm, L/H, Upper, 90 Elbow	1	3244 / 1801188
F	-Pivot Arm, Upper, 100", Alum.	1	3279 / 1801205
G	-Elbow, 90 degree	1	2842D / 1801972
	Pivot Arm, R/H, Upper, 90 Elbow	1	3245 / 1801189
	-Pivot Arm, Upper, 100", Alum.	1	3279 / 1801205
	-Elbow, 90 degree	1	2842D / 1801972
I	Rear Cross Piece, 100"	1	3279 / 1801205
	Bearing Plate, w/ Motor	1	8003 / 1801806
J	-Bearing Plate Universal	1	3221 / 1801179
K	-Motor, Direct Drive	1	61G / 1802061
	-Chrome Motor Cover	1	4278 / 1801585
L	Bearing Plate, R/H, Assy.	1	8004 / 1801807
	-Bearing Plate Universal	1	3270Z / 1802000
	-Bearing, 3/4" w/ collar	1	1752 / 1800519
	Wire, 60', 8 gauge	1	89 / 1800028
Q	Roller Bar, Aluminum	1	2365 / 1800737
	Rubber Tarp Stops	2	3771N / 1802010
R	Extension Shaft, 3/4" x 4"	1	2838 / 1800980
	Rotary Switch Kit	1	85N / 1802076
S	-Rotary Switch	1	600 / 1800120

Pivot Assembly Hardware

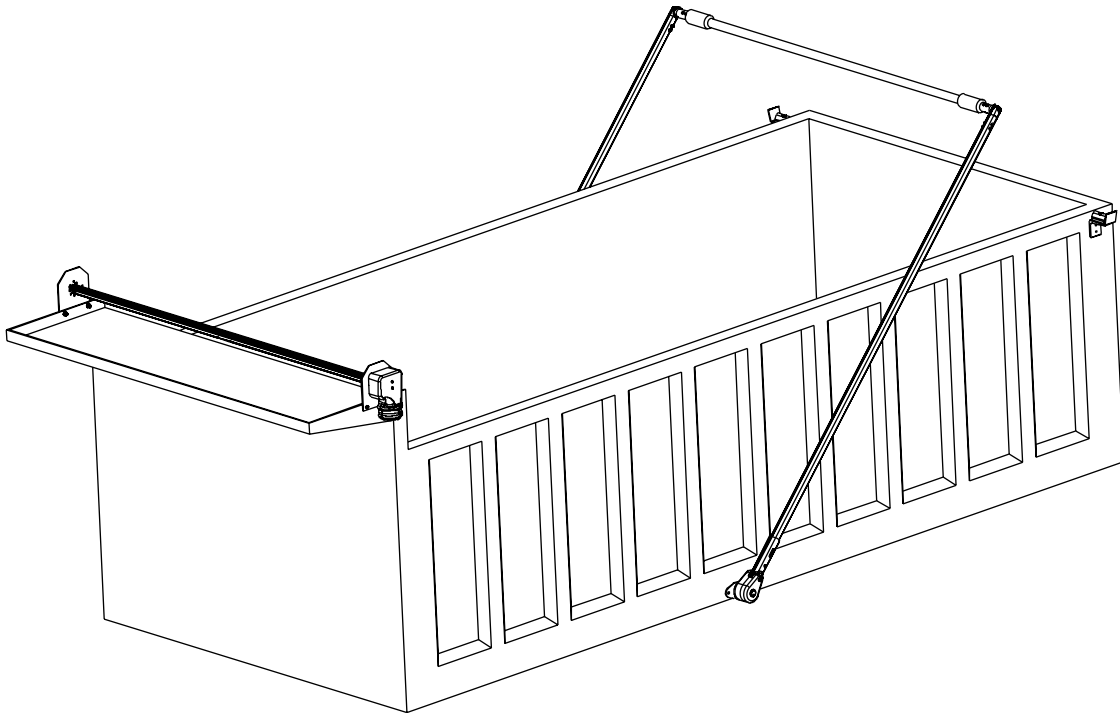
DESCRIPTION	QTY	PART
Bolt, hex, 3/8" x 1 1/2"	8	2464 / 1800790
Washer, flat, 3/8"	8	2875 / 1800994
Nut, hex lock, 3/8"	8	2874 / 1800993
Bolt, allen head, 1/4" x 1 1/4"	4	1914 / 1800609
Nut, tee, 1/4"	4	1915 / 1804390
Bolt, carriage 1/2" x 1 1/2"	4	4437 / 1801675
Washer, flat, 1/2"	4	2878 / 1800996
Nut, hex lock, 1/2"	4	2877 / 1800995
5mm Allen Wrench	1	3556 / 1804882

Head Assembly Hardware

DESCRIPTION	QTY	PART
Shaft Extension, 3/4" x 4"	1	2838 / 1800980
Bolt, hex, 3/8" x 1 1/2"	8	2464 / 1800790
Washer, flat, 3/8"	8	2875 / 1800994
Nut, hex lock, 3/8"	8	2874 / 1800993
Bolt, carriage, 5/16" x 2 1/2"	2	3237 / 1801187
Nut, hex lock, 5/16"	2	2868 / 1800990
Washer, flat, 5/16"	2	2867 / 1800989
Bolt, hex, 5/16" x 3/4"	3	2418
Screw, Sheet metal #10 x 3/4"	2	3709 / 1804897

Options

	DESCRIPTION	QTY	PART
	30° Pivot Arm (L/H), w/ elbows	1	1190 / 1800333
	30° Pivot Arm (R/H), w/ elbows	1	1191 / 1800334
	120" Aluminum Extrusion only	1	1184 / 1804176
	Bolt, Allen Head, 1/4" x 1 1/2"	4	1914 / 1800609
	Nut, tee, 1/4"	4	1915 / 1800610
	Pivot Arm Mount R/H offset	1	1729 / 1800510
	Pivot Arm Mount L/H offset	1	1730 / 1800511
H	Pivot Arm Rest Assy., Alum.	2	3218B / 1801999
	-Pivot Arm Rest	2	3361 / 1801251
	-Bumper, Rubber	2	2948 / 1801012
M	Wind Deflector, Aluminum	1	1216K / 1801919
	Durabuilt Switch Kit	1	1495 / 1800432
	-40 Amp circuit breaker	1	1856 / 1800575
N	-Solenoid	1	1464 / 1800418
O	-Rocker Switch	1	1897 / 1800602
P	-Rocker Switch Bracket	1	1532 / 1800440



Flash (#1470C / 1801927)

- Premium high-gloss, aluminum automatic covering system with stamped steel spring enclosure for dump bodies up to 23 feet long

Flash 30° (#1657C / 1801945)

- Same as #1470C but featuring upper arms with 30° bend

Flash (U/B spring #1485 / 1800427)

- Same as #1470C but featuring 22-coil underbody mounts

Flash 30° (U/B spring #1658 / 1800495)

- Same as #1470C but featuring 22-coil underbody mounts and upper arms with 30° bend

Flash

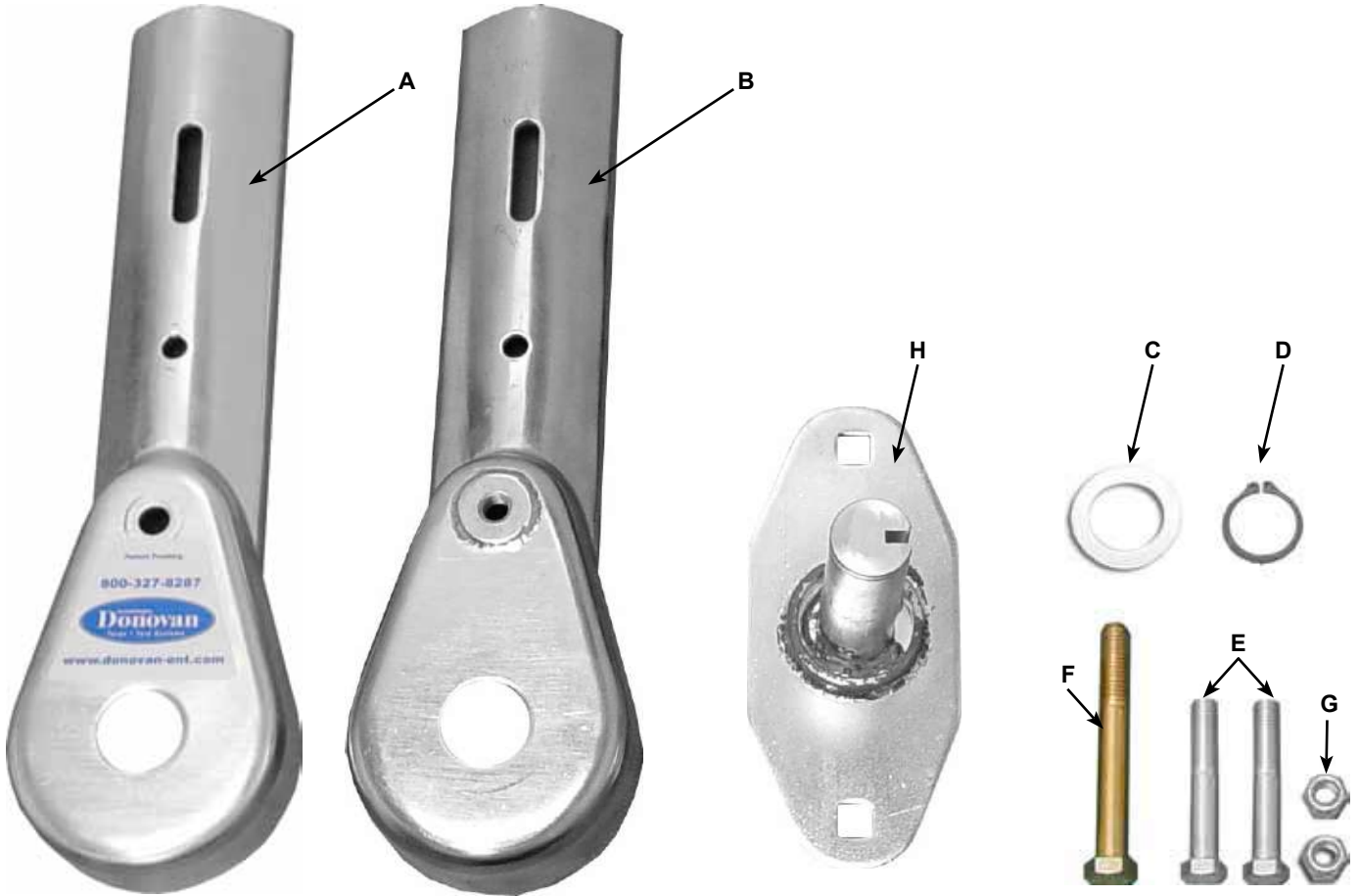
Standard Features:

- Stamped Steel Spring Enclosure
- Aluminum Pivot Arms that never rust
- 12v Direct Drive Motor with 3-Year Warranty
- Extruded Aluminum Roller Bar

Optional Upgrades:

- Tarp Housing
- Pivot Arm Rests

Flash



Flash Clamshell Assembly

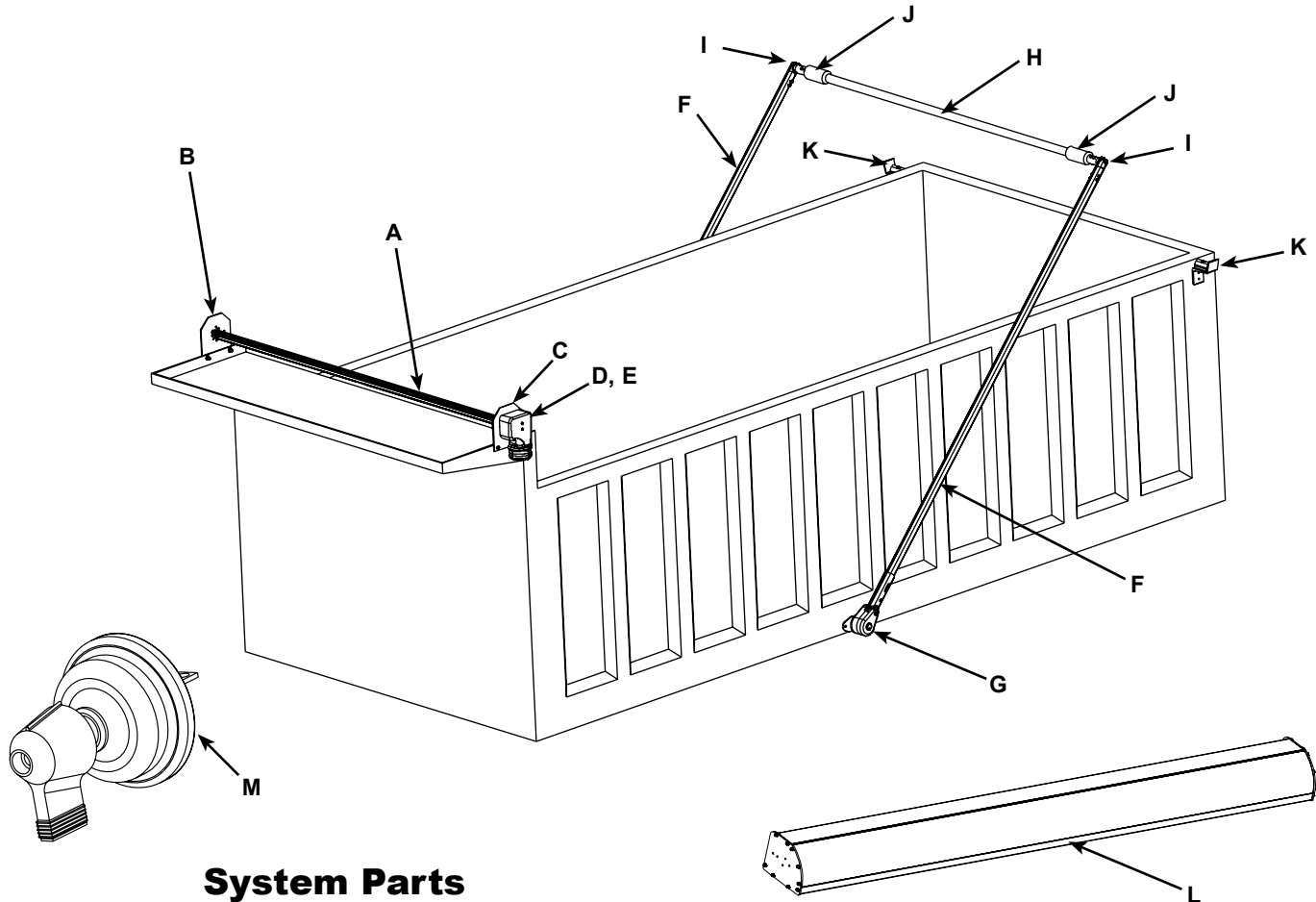
	DESCRIPTION	PART
	Clamshell Spring Enclosure with Pivot Mount (set of 2)	2984 / 1801030
A	Stamped Steel Spring Housing (front)	2427 / 1800769
B	Stamped Steel Spring Housing (back)	2710 / 1800934
C	Shim 1 1/4"	2833 / 1800977
D	Retaining Ring 1 1/4"	2834 / 1800978
E	Bolt Hex 7/16-14 x 2 3/4"	2977 / 1801025
F	Bolt Hex 1/3-13 x 4"	2976 / 1801024
G	Lock Nut 7/16-14	1181 / 1800329
H	Pivot Mount	1769 / 1800531
J	Spring, Flat Coil, Torsion	2416 / 1800763

Part # 2984 / 1801030 is a set of two sides
 Pictures shown represent one side

Flash

Straight Arm

Side-Mounted Spring Enclosure



System Parts

	DESCRIPTION	PART
	FLASH, full system	1470C / 1801927
A	Aluminum Roller Bar Assembly	2365 / 1800737
B	Bearing Plate with Bearing	3678Z / 1802007
C	Bearing Plate	3270Z / 1802000
D	12 Volt. Motor with cover	61G / 1802061
E	12 Volt. Motor Cover	4278 / 1801585
F	150" Pivot Arm Straight	1473 / 1800421
G	Spring Enclosure w/ Pivot Mount (set)	2984 / 1801030
H	Rear Cross Piece	1076 / 1800300
I	90° Die Cast Elbow	1888 / 1800597
J	Rubber Bumper Kit with Hardware (6")	2285 / 1800679
	Rotary Switch Kit	85N / 1802076
M	-Rotary Switch	600 / 1800120

Options

	DESCRIPTION	PART
L	Tarp Housing 98"	1558 / 1800454
K	Pivot Arm Rest Assy., Alum.	3218B / 1801999
	-Pivot Arm Rest	3361 / 1801251
	-Bumper, Rubber	2948 / 1801012
	Wind Deflector, Aluminum	1216K / 1801919
	Durabuilt Switch Kit	1495 / 1800432
	-40 Amp circuit breaker	1856 / 1800575
	-Solenoid	1464 / 1800418
	-Rocker Switch	1897 / 1800602
	-Rocker Switch Bracket	1532 / 1800440

Heavy Duty Truck Division Tarp System Parts Catalog - June 2014

Shur-Co®, LLC Donovan of Florida • 3353 SE Gran Park Way • Stuart, FL 34997

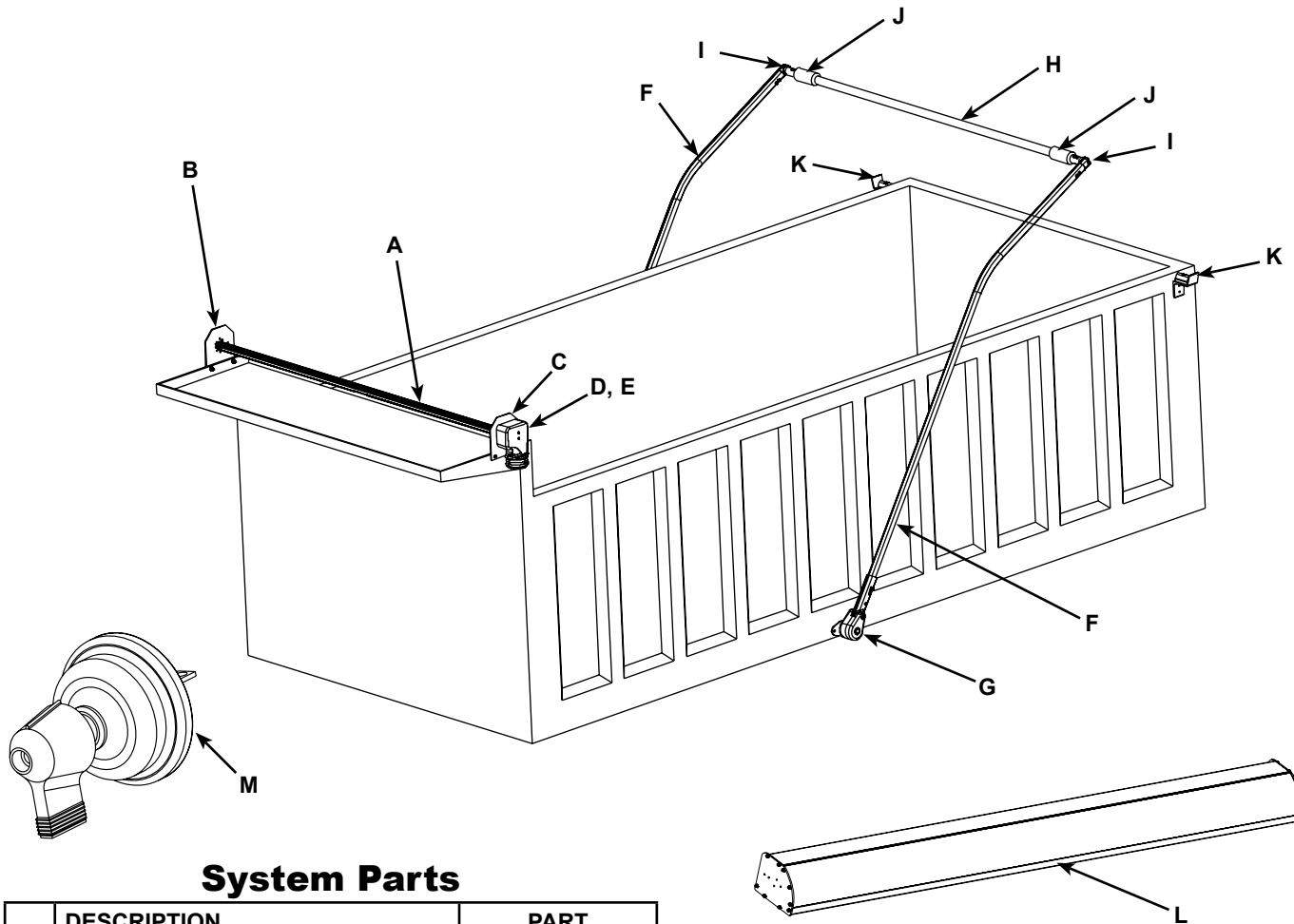
Outside the U.S. call (772) 286-3350 • www.donovan-ent.com • e-mail: info@donovan-ent.com

Call (800) 327-8287 or (772) 286-3350 • Fax (772) 287-0431

Flash



30° Bend Upper Arm Side-Mounted Spring Enclosure



System Parts

	DESCRIPTION	PART
	FLASH 30°, full system	1657C / 1801945
A	Aluminum Roller Bar Assembly	2365 / 1800737
B	Bearing Plate with Bearing	3678Z / 1802007
C	Bearing Plate	3270Z / 1802000
D	12 Volt. Motor with cover	61G / 1802061
E	12 Volt. Motor Cover	4278 / 1801585
F	30° Bent Pivot Arm	1700 / 1800504
G	Spring Enclosure W/ Pivot Mount (set)	2984 / 1801030
H	Rear Cross Piece	1076 / 1800300
I	90° Die Cast Elbow	1888 / 1800597
J	Rubber Bumper Kit with Hardware (6")	2285 / 1800679
	Rotary Switch Kit	85N / 1802076
M	-Rotary Switch	600 / 1800120

Options

	DESCRIPTION	PART
L	Tarp Housing 98"	1558 / 1800454
K	Pivot Arm Rest Assy., Alum.	3218B / 1801999
	-Pivot Arm Rest	3361 / 1801251
	-Bumper, Rubber	2948 / 1801012
	Wind Deflector, Aluminum	1216K / 1801919
	Durabuilt Switch Kit	1495 / 1800432
	-40 Amp circuit breaker	1856 / 1800575
	-Solenoid	1464 / 1800418
	-Rocker Switch	1897 / 1800602
	-Rocker Switch Bracket	1532 / 1800440

Heavy Duty Truck Division Tarp System Parts Catalog - June 2014

Shur-Co®, LLC Donovan of Florida • 3353 SE Gran Park Way • Stuart, FL 34997

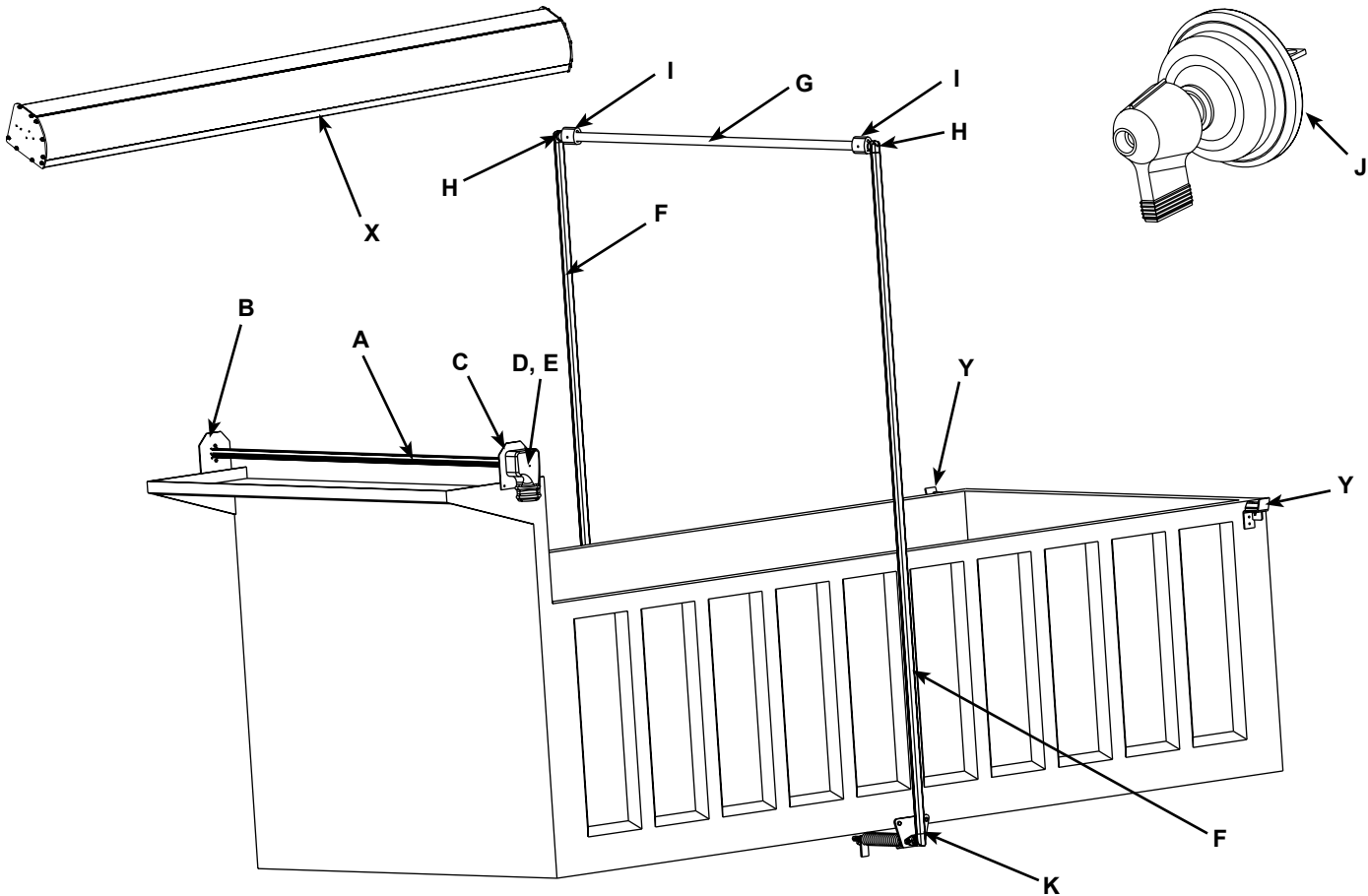
Outside the U.S. call (772) 286-3350 • www.donovan-ent.com • e-mail: info@donovan-ent.com

Call (800) 327-8287 or (772) 286-3350 • Fax (772) 287-0431

Flash

Straight Arm

22-coil Underbody Spring



System Parts

	DESCRIPTION	PART
	FLASH, U/B, full system	1485 / 1800427
A	Aluminum Roller Bar Assembly	2365 / 1800737
B	Bearing Plate with Bearing	3678Z / 1802007
C	Bearing Plate	3270Z / 1802000
D	12 Volt Motor with Cover	61G / 1802061
E	12 Volt Motor Cover	4278 / 1801585
F	30° Bent Pivot Arm	1700 / 1800504
G	Rear Cross Piece	1076 / 1800300
H	90° Die Cast Elbow	1888 / 1800597
I	Rubber Bumper Kit	2285 / 1800679
	Rotary Switch Kit	85N / 1802076
J	-Rotary Switch	600 / 1800120
K	Underbody Spring Assy. (left)	1166 / 1800320
	Underbody Spring Assy. (right)	1165 / 1800319

Options

	DESCRIPTION	PART
X	Tarp Housing 98"	1558 / 1800454
Y	Pivot Arm Rest Assy., Alum.	3218B / 1801999
	-Pivot Arm Rest	3361 / 1801251
	-Bumper, Rubber	2948 / 1801012
	Wind Deflector, Aluminum	1216K / 1801919
	Durabuilt Switch Kit	1495 / 1800432
	-40 Amp circuit breaker	1856 / 1800575
	-Solenoid	1464 / 1800418
	-Rocker Switch	1897 / 1800602
	-Rocker Switch Bracket	1532 / 1800440

Heavy Duty Truck Division Tarp System Parts Catalog - June 2014

Shur-Co®, LLC Donovan of Florida • 3353 SE Gran Park Way • Stuart, FL 34997

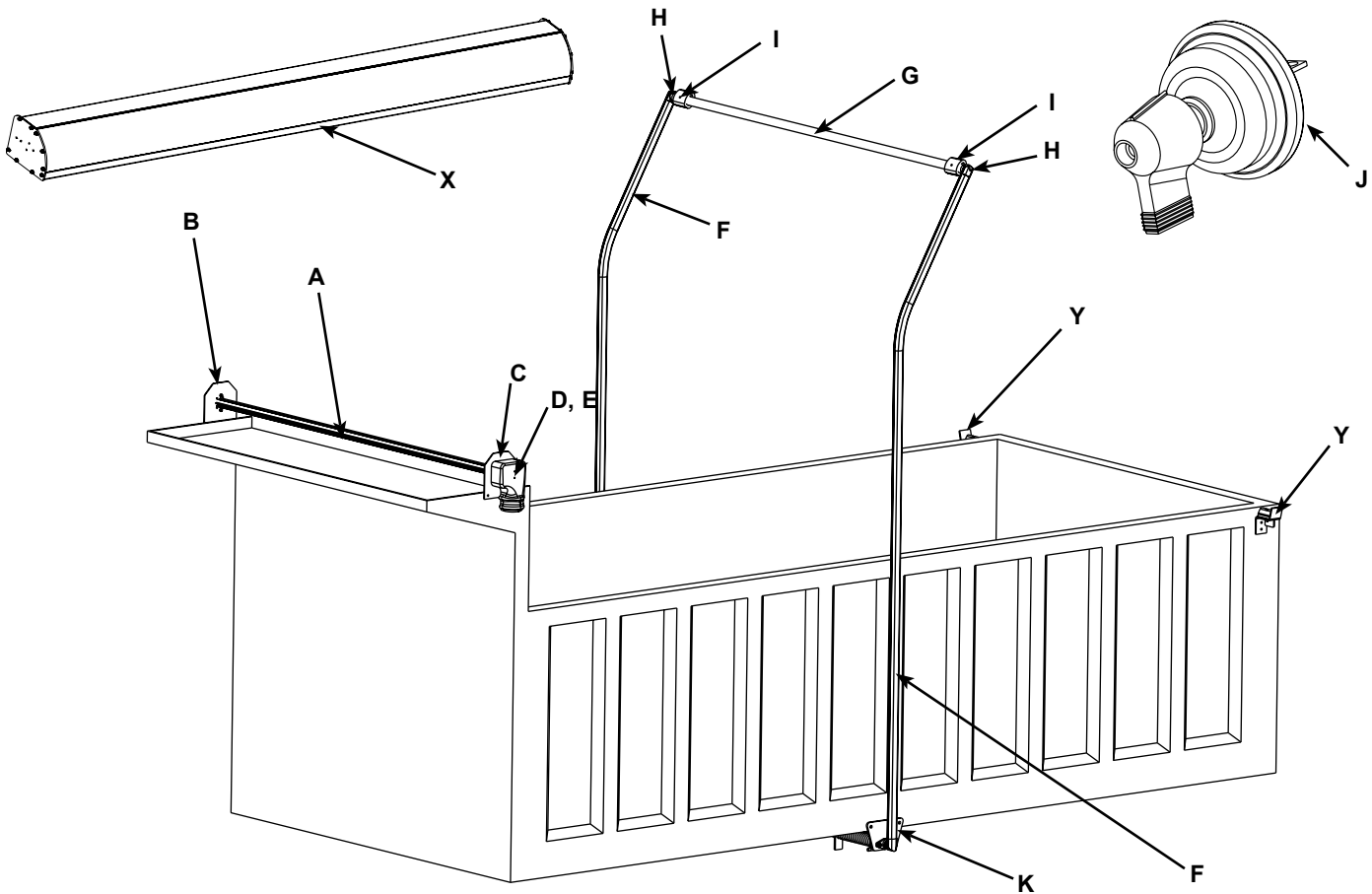
Outside the U.S. call (772) 286-3350 • www.donovan-ent.com • e-mail: info@donovan-ent.com

Call (800) 327-8287 or (772) 286-3350 • Fax (772) 287-0431

Flash



30° Bend Upper Arm 22-coil Underbody Spring



System Parts

	DESCRIPTION	PART
	FLASH 30°, U/B, full system	1658 / 1800495
A	Aluminum Roller Bar Assembly	2365 / 1800737
B	Bearing Plate with Bearing	3678Z / 1802007
C	Bearing Plate	3270Z / 1802000
D	12 Volt Motor with Cover	61G / 1802061
E	-12 Volt Motor Cover	4278 / 1801585
F	150" Pivot Arm Straight	1473 / 1800421
G	Rear Cross Piece	1076 / 1800300
H	90° Die Cast Elbow	1888 / 1800597
I	Rubber Bumper Kit	2285 / 1800679
	Rotary Switch Kit	85N / 1802076
J	-Rotary Switch	600 / 1800120
K	Underbody Spring Assy. (left)	1166 / 1800320
	Underbody Spring Assy. (right)	1165 / 1800319

Options

	DESCRIPTION	PART
X	Tarp Housing 98"	1558 / 1800454
Y	Pivot Arm Rest Assy., Alum.	3218B / 1801999
	-Pivot Arm Rest	3361 / 1801251
	-Bumper, Rubber	2948 / 1801012
	Wind Deflector, Aluminum	1216K / 1801919
	Durabuilt Switch Kit	1495 / 1800432
	-40 Amp circuit breaker	1856 / 1800575
	-Solenoid	1464 / 1800418
	-Rocker Switch	1897 / 1800602
	-Rocker Switch Bracket	1532 / 1800440

Heavy Duty Truck Division Tarp System Parts Catalog - June 2014

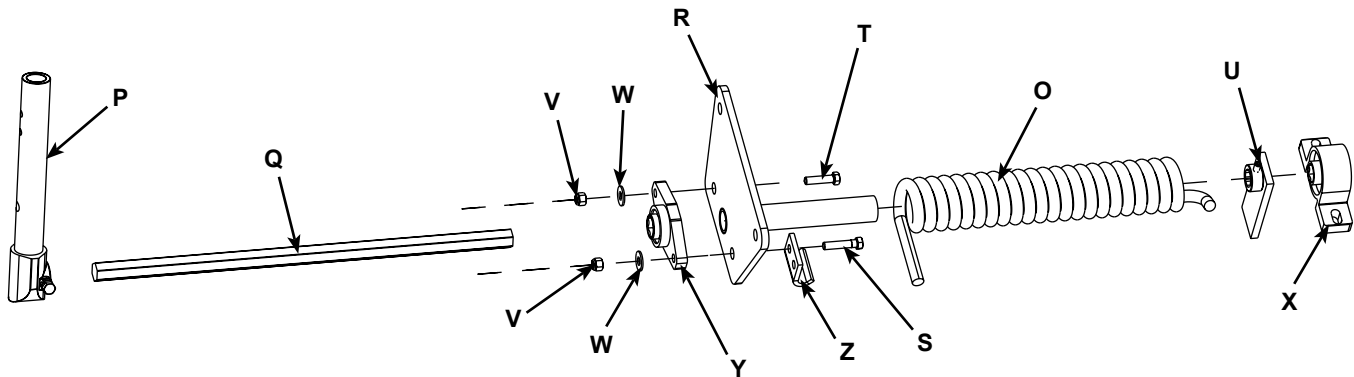
Shur-Co®, LLC Donovan of Florida • 3353 SE Gran Park Way • Stuart, FL 34997

Outside the U.S. call (772) 286-3350 • www.donovan-ent.com • e-mail: info@donovan-ent.com

Call (800) 327-8287 or (772) 286-3350 • Fax (772) 287-0431

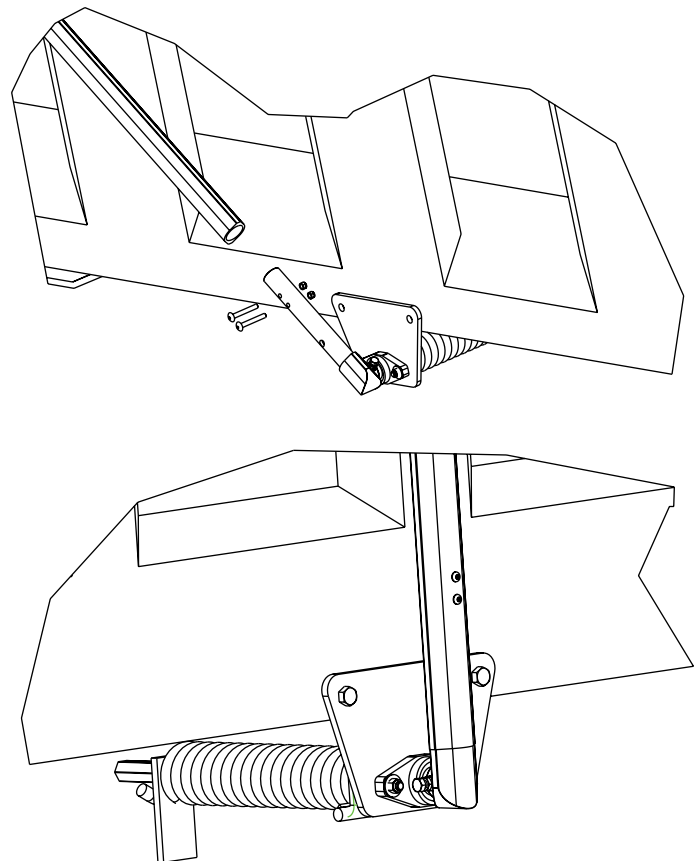
Flash

22-coil Underbody Spring

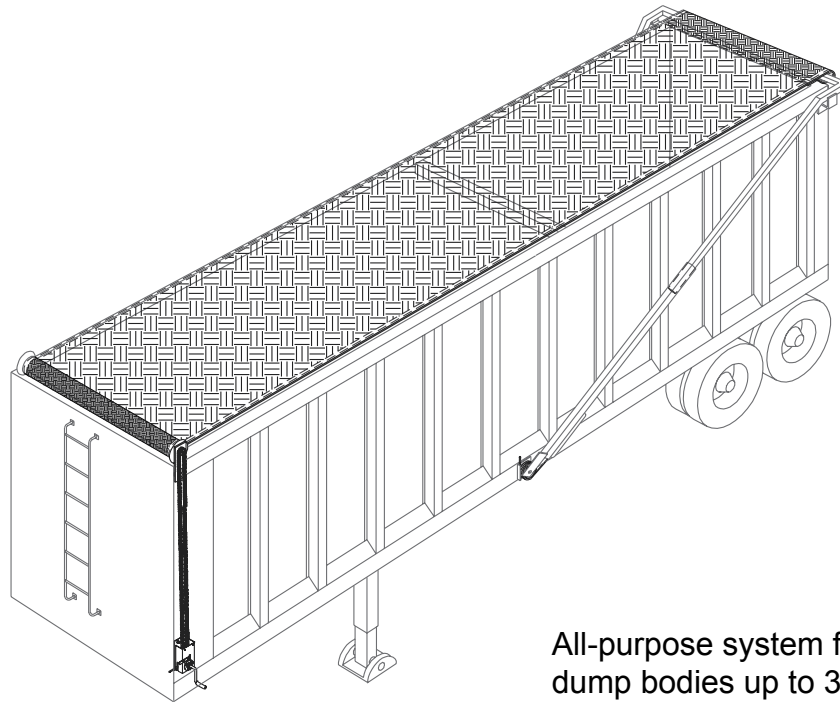


Underbody Assemblies

	DESCRIPTION	QTY	PART
	U/B Spring Assembly (left)	1	1166 / 1800320
	-Spring, 22-Coil (left)	1	1037 / 1800279
K	U/B Spring Assembly (right)	1	1165 / 1800319
O	-Spring, 22-Coil (right)	1	1039 / 1800280
P	-Hex Pivot Casting	1	4391 / 1801636
Q	-Hex Shaft	1	3656 / 1801299
R	-Pivot Mount Weldment (Alum.)	1	2440 / 1800775
S	-Bolt, Hex, 5/16"-18 x 1.5", Gr. 5	1	2802 / 1800972
T	-Bolt, Hex, 3/8"-16 x 1", Gr. 5	1	2469 / 1800795
U	-Spring Lever Weldment	1	2795 / 1800967
V	-Nut, Lock, 3/8"-16	2	2874 / 1800993
W	-Washer, Flat, 3/8"	2	2875 / 1800994
X	-7/8" Hex Pillow Block Bearing	1	3065 / 1801081
Y	-7/8" Hex Flange Bearing	1	3066 / 1801082
Z	-Spring Stop, "J"	1	3661 / 1801304



7800 series



All-purpose system for covering dump bodies up to 30 feet long.

7800GL (#707 / 1803901)

Standard Features:

- Enclosed Control Box Housing
- Ground Level Control
- Disengaging Handle
- Positive Locking Brake System
- 10' of 40# Chain
- Chain Guard

7800ELD (#754 / 1803903)

Standard Features:

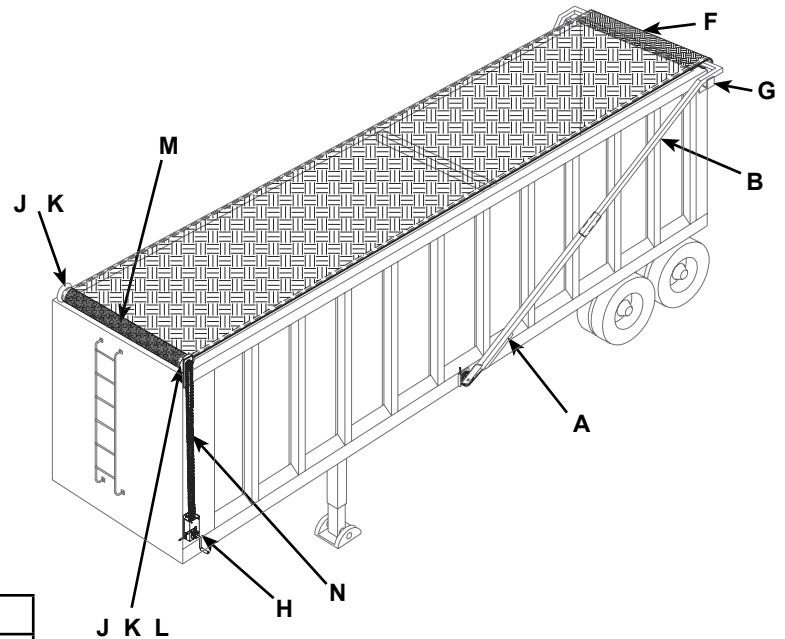
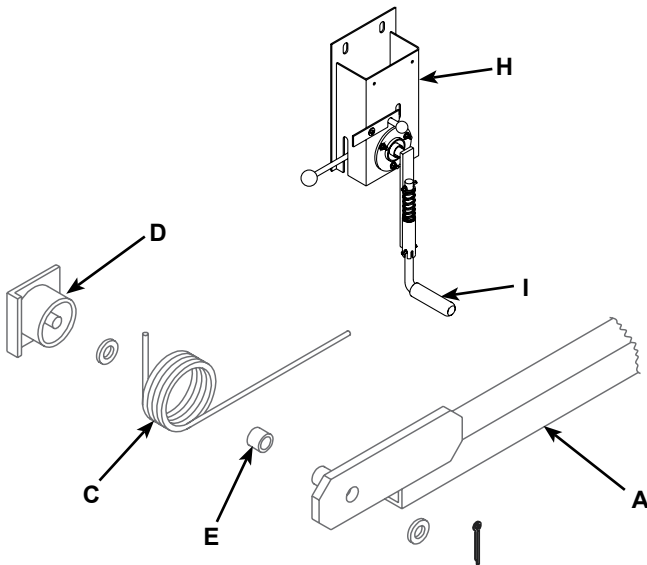
- 12 volt Direct Drive Motor
- Cab Mounted Control Switch
- 50 amp Auto Reset Breaker
- 3-year Full Replacement Motor Warranty

7800 series

Optional Upgrades:

- 24 volt Direct Drive Motor (7800ELD)
- Wind Deflector
- Pivot Arm Rests

7800GL



System Parts

	DESCRIPTION	QTY	PART
	7800GL, full system	1	707 / 1803901
A	Pivot Arm (L), 1-1/2" x 12'	1	112 / 1800035
	Pivot Arm (R), 1-1/2" x 12'	1	126 / 1800040
B	Straight Arm Ext., 1 1/4" x 5'	2	1360 / 1800386
C	Spring Torsion, 5/8", (L)	1	427 / 1800086
	Spring Torsion, 5/8", (R)	1	537 / 1800101
D	Pivot Mount 7800	2	1478 / 1800424
E	Bearing, oil impregnated, 1"	2	1665 / 1800497
F	Rear Cross Piece	1	1348 / 1800378
H	GL Control Box, 7000/9000	1	780 / 1800178
I	-Handle Crank	1	1000 / 1800275
	Chain, #40 x 14'	1	1115 / 1800314
	Chain, Master Link, #40	1	272 / 1800058
J	Bearing Plate, Universal	2	3270 / 1801201
K	Bearing, Flange, 3/4"	2	145 / 1800042
L	Sprocket 40-B-36 x 3/4"	1	285 / 1800060
	Shaft 3/4" x 14"	1	579 / 1800114
M	Roller Bar, Extruded Aluminum	1	2365 / 1800737
N	Chain Guard, Complete	1	2083 / 1800639
	-Chain Guard Upper	1	790 / 1800185
	-Chain Guard Lower	1	791 / 1800186
	-Chain Guard Bracket	3	1412 / 1800404
	3/4" Extension shaft	1	2838 / 1800980

Mounting Hardware

DESCRIPTION	QTY	PART
Bolt, hex, 3/8" x 1 1/2"	8	2464 / 1800790
Washer, lock, 3/8"	4	2872 / 1800991
Nut, hex, 3/8"	4	2873 / 1800992
Bolt, hex, 1/4" x 1/2"	2	1911 / 1800608
Washer, lock, 1/4"	12	2458 / 1800785
Bolt, hex, 3/8" x 1/2"	3	1913 / 1804390
Nut, lock, 3/8"	7	2874 / 1800993
Screw self tap, 1/4" x 3/4"	12	3299 / 1801224
Cotter Pin, 1/4" x 3"	6	2475 / 1800801
Washer, flat, 3/8"	18	2875 / 1800994
Shaft collar, 3/4"	2	148 / 1800045
Washer, flat, 5/16"	2	2867 / 1800989
Washer, flat, 1"(21/2" OD)	4	182 / 1800048
Nut, lock, 5/16"	2	2868 / 1800990
Bolt, Carriage, 5/16" x 2 1/2"	2	3237 / 1801187

Options

DESCRIPTION	QTY	PART
G Pivot Arm Rests	2	952 / 1800254
Steel Wind Deflector	1	1647 / 1800488
Wind Deflector	1	1216 / 1800338

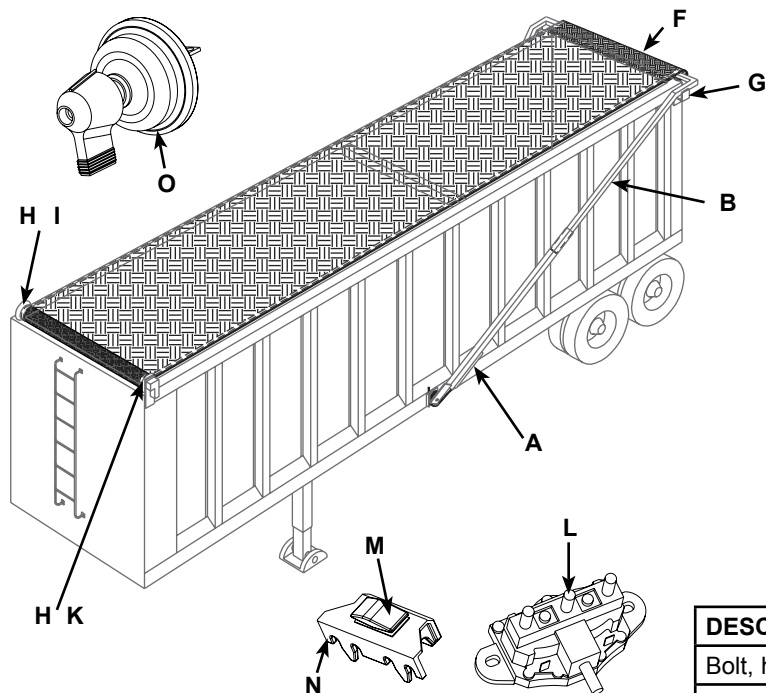
Heavy Duty Truck Division Tarp System Parts Catalog - June 2014

Shur-Co®, LLC Donovan of Florida • 3353 SE Gran Park Way • Stuart, FL 34997

Outside the U.S. call (772) 286-3350 • www.donovan-ent.com • e-mail: info@donovan-ent.com

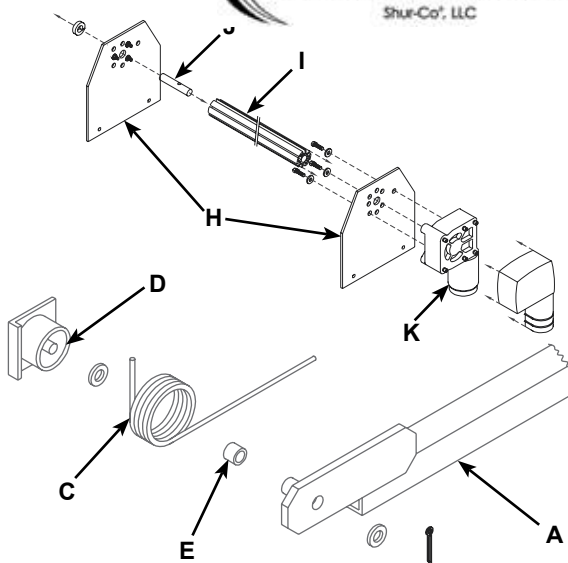
Call (800) 327-8287 or (772) 286-3350 • Fax (772) 287-0431

7800ELD



System Parts

	DESCRIPTION	QTY	PART
	7800ELD, full system	1	754 / 1803903
A	Pivot Arm (L), 1-1/2" x 12'	1	112 / 1800035
	Pivot Arm (R), 1-1/2" x 12'	1	126 / 1800040
B	Straight Arm extension, 1 1/4" x 5'	2	1360 / 1800386
C	Spring Torsion, 5/8", (L)	1	427 / 1800086
	Spring Torsion, 5/8", (R)	1	537 / 1800101
D	Pivot Mount 7800	2	1478 / 1800424
E	Bearing, oil impregnated, 1"	2	1665 / 1800497
F	Rear Cross Piece, 96"	1	1348 / 1800378
	Bearing Plate, Universal	2	3270 / 1801201
H	Bearing, Flange, 3/4"	1	145 / 1800042
I	Roller Bar, Extruded Aluminum	1	2365 / 1800737
J	Extension Shaft, 3/4" x 4"	1	2838 / 1800980
	Trailer Connector	1	3848 / 1801377
	Rotary Switch Kit	1	85N / 1802076
O	-Rotary Switch	1	600 / 1800120
	Contact Plate	1	1379A / 1801925
K	Motor, Direct Drive w/ cover	1	4422 / 1801663
	Wire, 25', 8 gauge	1	2141 / 1800650
	Wire Conversion Kit, 4 ga., 90'	1	1443K



Mounting Hardware

DESCRIPTION	QTY	PART
Bolt, hex, 3/8" x 1 1/2"	8	2464 / 1800790
Washer, lock, 3/8"	8	2872 / 1800991
Nut, hex, 3/8"	8	2873 / 1800992
Nut, lock, 5/16"	1	2868 / 1800990
Cotter Pin, 1/4" x 3"	6	2475 / 1800801
Washer, flat 3/8"	12	2875 / 1800994
Nut, lock, 3/8"	4	2874 / 1800993
Bolt, Carriage, 5/16" x 2 1/2"	2	3237 / 1801187
Washer, flat 5/16"	2	2867 / 1800989
Shaft collar, 3/4"	1	40 / 1800017
Washer, flat 1" (21/2OD)	4	182 / 1800048
Bolt, hex, 5/16" x 3/4"	3	2418
Screw, Sheet Metal #10 x 3/8"	2	3709 / 1804897

Options

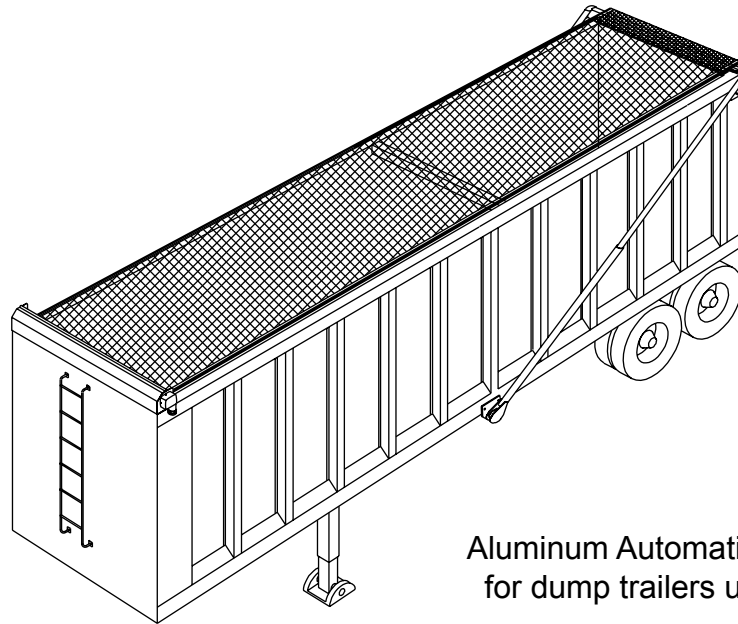
	DESCRIPTION	QTY	PART
	Durabuilt Switch Kit	1	1495 / 1800432
	-40 Amp circuit breaker	1	1856 / 1800575
L	-Solenoid	1	1464 / 1800418
M	-Rocker Switch	1	1897 / 1800602
N	-Rocker Switch Bracket	1	1532 / 1800440
G	Pivot Arm Rests	2	952 / 1800254
	Steel Wind Deflector	1	1647 / 1800488
	Aluminum Wind Deflector	1	1216 / 1800338

Heavy Duty Truck Division Tarp System Parts Catalog - June 2014

Shur-Co®, LLC Donovan of Florida • 3353 SE Gran Park Way • Stuart, FL 34997

Outside the U.S. call (772) 286-3350 • www.donovan-ent.com • e-mail: info@donovan-ent.com

Call (800) 327-8287 or (772) 286-3350 • Fax (772) 287-0431



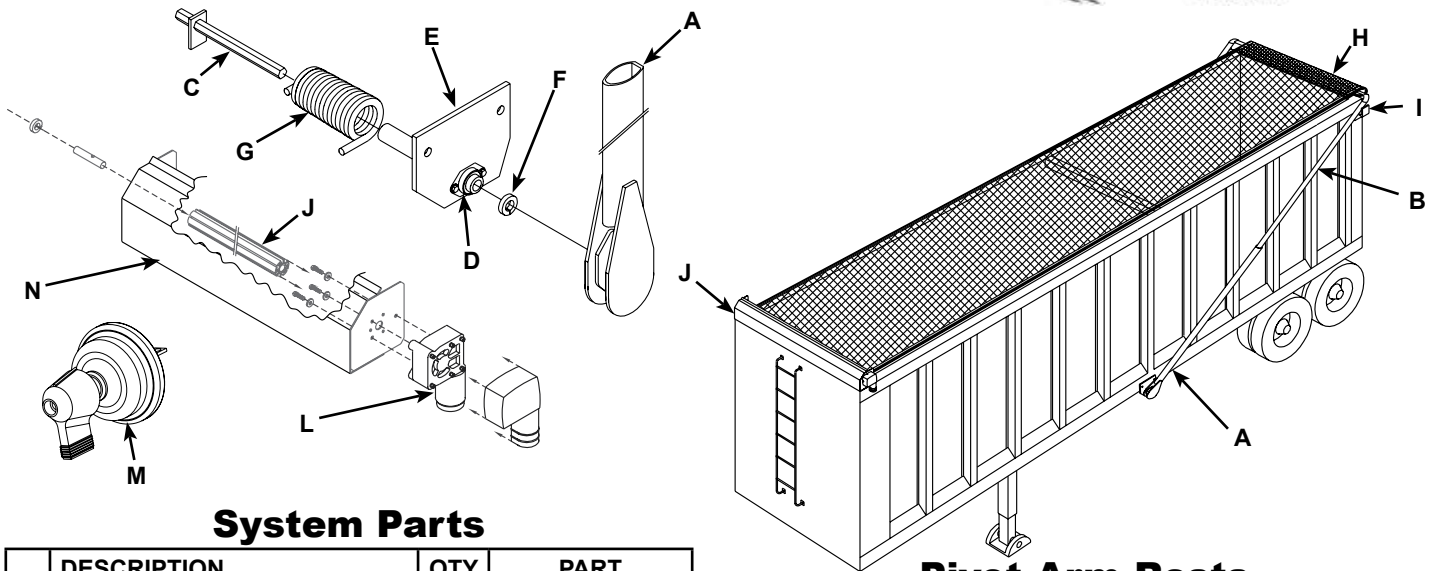
Aluminum Automatic covering system
for dump trailers up to 38 feet long.

Trailer Bullet (#2937 / 1801010)

Standard Features:

- Aluminum Pivot Arms that Never Rust
- 12v Direct Drive Motor with 3-year warranty
- Extruded Aluminum Roller Bar
- Aluminum roller Bar Housing
- Complete bolt-on Assembly, No welding Required
- Cab Mounted Control Switch
- 50amp Auto Reset Breaker

Trailer Bullet



System Parts

	DESCRIPTION	QTY	PART
	Trailer Bullet, full system	1	2937 / 1801010
A	Pivot Arm, L/H, Lower Assembly	1	3944 / 1801413
	Pivot Arm, R/H, Lower Assembly	1	3945 / 1801414
B	Pivot Arm, L/H, Upper, w/ Elbow	1	3947 / 1801416
	Pivot Arm, R/H, Upper, w/ Elbow	1	3948 / 1801417
	Underbody Spring Assy. L/H	1	2785 / 1800963
	Underbody Spring Assy. R/H	1	2787 / 1800965
C	Spring Shaft Welded Assembly	2	3657 / 1801300
	Spring Stop	2	3662 / 1801305
D	7/8" Hex Bearing	2	3346 / 1801243
E	Pivot Mounting Plate Assy., U/B	2	3658 / 1801301
F	1" Split Shaft Collar	2	41 / 1800018
G	Spring, 22-coil, Underbody L/H	1	1037 / 1800279
	Spring, 22-coil, Underbody R/H	1	1039 / 1800280
H	Rear Cross Piece, 100"	1	3279 / 1801205
I	Pivot Arm Rest	2	3218 / 1801178
J	Roller Bar Extruded Aluminum	1	2365 / 1800737
	Rubber Tarp Stops	2	3771N / 1802010
	Trailer Plug Set	1	3848 / 1801377
	Rotary Switch Kit	1	85N / 1802076
M	-Rotary Switch	1	600 / 1800120
L	Motor, Direct Drive w/ cover	1	4422 / 1801663
	Wire, 25', 8 gauge	1	2141 / 1800650
	Contact Plate Kit	1	1379A / 1801925
	Tarp Housing	1	3654 / 1804896
N	-Housing Shell	1	3032 / 1801062

Pivot Arm Rests

DESCRIPTION	QTY	PART
Bolt, Hex 3/8" x 1 1/2"	4	2464 / 1800790
Lock Nuts 3/8"	4	2874 / 1800993
Washer, Flat 3/8"	4	2875 / 1800994

Housing Assembly Hardware

DESCRIPTION	QTY	PART
Shaft Extension 3/4" x 4"	1	2838 / 1800980
3 Bolt, Flange Bearing	1	1752 / 1800519
Shaft Collar 3/4"	1	450 / 1800089
Carriage Bolt 5/16" x 2 1/2"	2	3237 / 1801187
Lock Nut 5/16"	2	2868 / 1801187
Washer Flat 5/16"	2	2867 / 1800989
Bolt, Hex 1/4" x 3/4"	3	2421 / 1800767
Lock Nut 1/4"	3	2316 / 1800699
Bolt, Hex 5/16" x 3/4"	3	2418
Screw, Sheet Metal #10 x 3/4"	3	3709 / 1804897

Pivot Mount Hardware

DESCRIPTION	QTY	PART
Bolt, Hex 1/2" x 2 1/2"	4	287 / 1804000
Washer Flat 1/2"	4	2878 / 1800996
Lock Nut 1/2"	4	2877 / 1800995

Upper Arm to R.C.P. Hardware

DESCRIPTION	QTY	PART
Bolt, Shoulder 1/4" x 1 1/4"	4	1914 / 1800609
Nuts, Tee 1/4"	4	1915 / 1800610

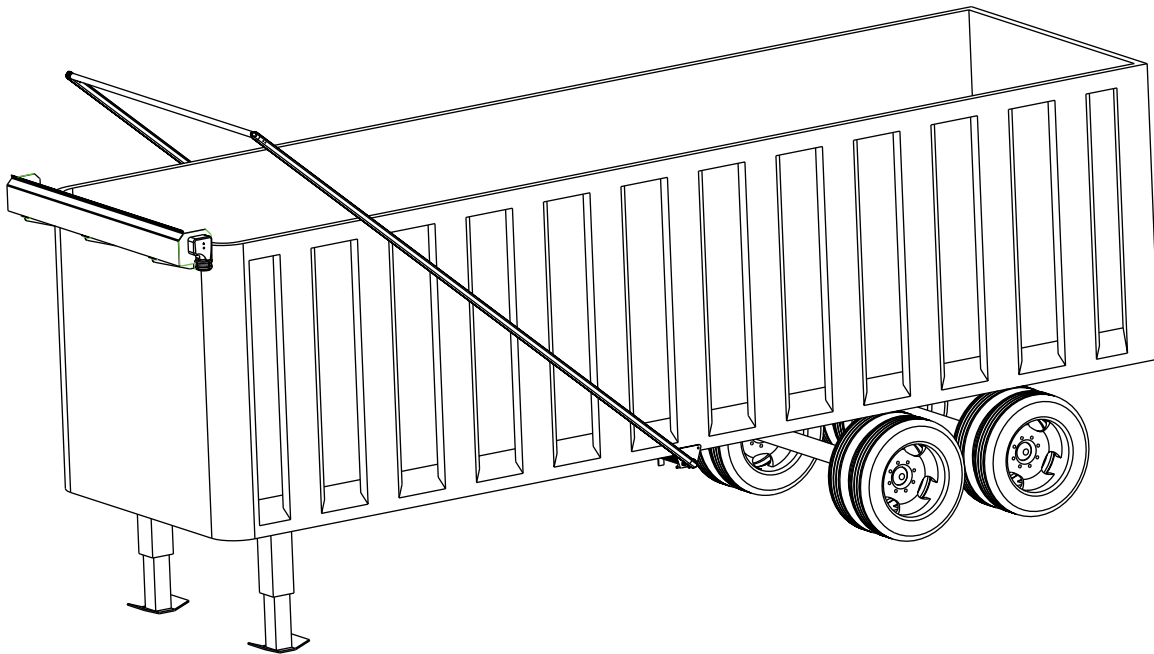
Heavy Duty Truck Division Tarp System Parts Catalog - June 2014

Shur-Co®, LLC Donovan of Florida • 3353 SE Gran Park Way • Stuart, FL 34997

Outside the U.S. call (772) 286-3350 • www.donovan-ent.com • e-mail: info@donovan-ent.com

Call (800) 327-8287 or (772) 286-3350 • Fax (772) 287-0431

Long Arm series



Long Arm (#1164 / 1801916)

102" wide model available

• Premium, high gloss aluminum pivot arm system for dump trailers up to 38'

Long Arm 41 (#4182 / 1801534)

102" wide model available

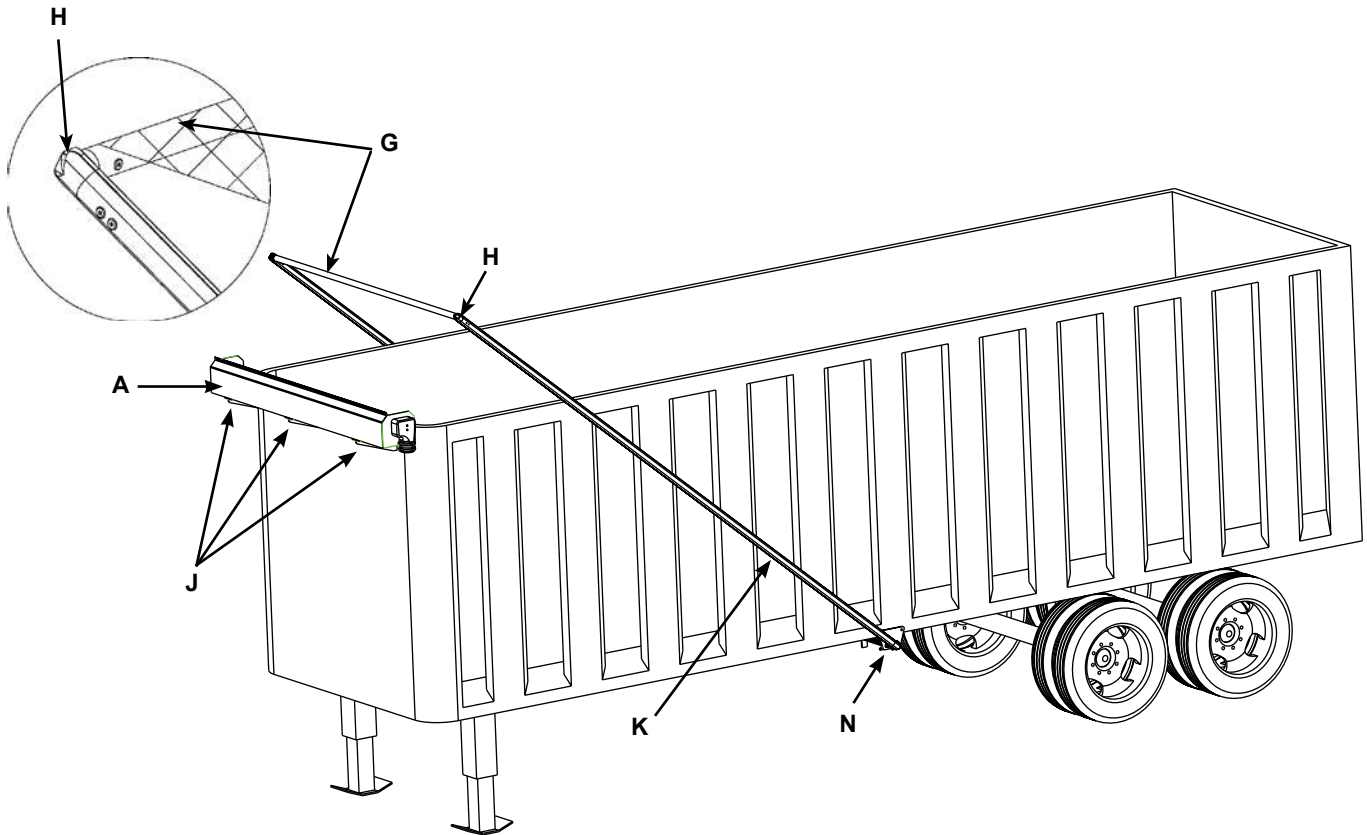
• Premium, high gloss aluminum pivot arm system for dump trailers up to 41'

Long Arm series

Standard Features:

- Heavy Duty "unbreakable" arms
- Heavy Duty 24v Direct Drive Motor
- Rotary Switch kit
- Contact Plate kit
- 96" Tarp Housing
- Aluminum Extruded Roller Bar
- Pivot Arm Rests

Long Arm



	DESCRIPTION	QTY	PART
	Long Arm 96", system	1	1164-96 / 1801916
A	-96" Housing Shell	1	3032 / 1801062
	Long Arm 102", system	1	1164-102 / 1803942
	-102" Housing Shell	1	3023 / 1801055
B	Motor Cover	1	4278 / 1801585
C	HD Direct Drive Motor	1	4422 / 1801663
D	Extruded Roller Bar	1	2365 / 1800737
E	3/4" Id Bearing	1	1752-R / 1801950
F	3/4" X 4" Extension Shaft	1	2838 / 1800980
G	Rear Cross Bar	1	1076 / 1800300
H	90° Aluminum Die Cast Elbow	2	1888 / 1800597
	Pivot Arm Rest	2	3218B / 1801999
J	Housing Bracket	2	1854 / 1800574
K	Arm Extrusion	2	1172 / 1800326
	U/B Spring Assembly (left)	1	3073 / 1801088
	-Spring, 22-Coil (left)	1	1037 / 1800279

	DESCRIPTION	QTY	PART
N	U/B Spring Assy. (right)	1	3072 / 1801087
O	-Spring, 22-Coil (right)	1	1039 / 1800280
P	-Hex Pivot Casting	1	4391 / 1801636
Q	-Hex Shaft	1	3656 / 1801299
R	-Pivot Mount Weldment (Alum.)	1	2440 / 1800775
S	-Bolt, Hex, 5/16"-18 x 1.5", Gr. 5	1	2802 / 1800972
T	-Bolt, Hex, 3/8"-16 x 1", Gr. 5	1	2469 / 1800795
U	-Spring Lever Weldment	1	2795 / 1800967
V	-Nut, Lock, 3/8"-16	2	2874 / 1800993
W	-Washer, Flat, 3/8"	2	2875 / 1800994
X	-7/8" Hex Pillow Block Bearing	1	3065 / 1801081
Y	-7/8" Hex Flange Bearing	1	3066 / 1801082
Z	-Spring Stop, "J"	1	3661 / 1801304
	Wire, 25 ft., 8 ga.	1	2141 / 1800650
	Rotary Switch Kit	1	85N / 1802076
	Contact Plate	1	1379A / 1801925
	HD Trailer Connector	1	3848 / 1801377

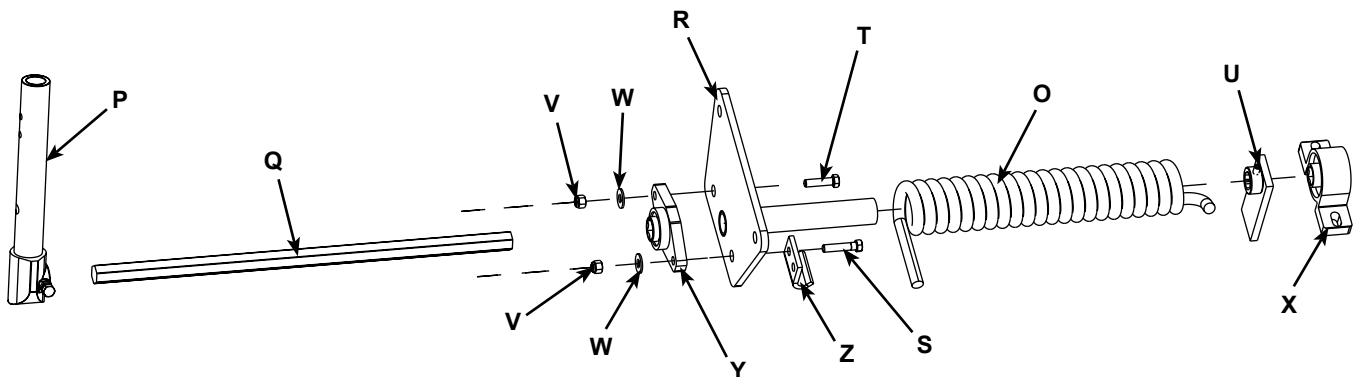
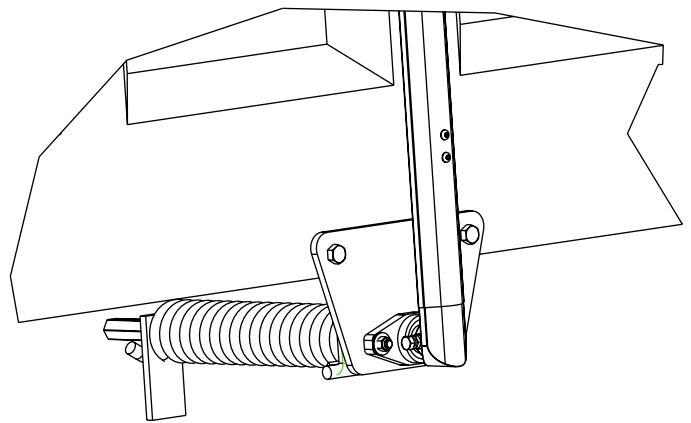
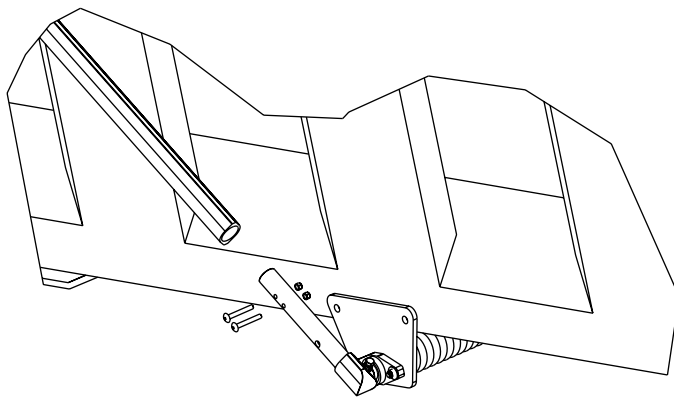
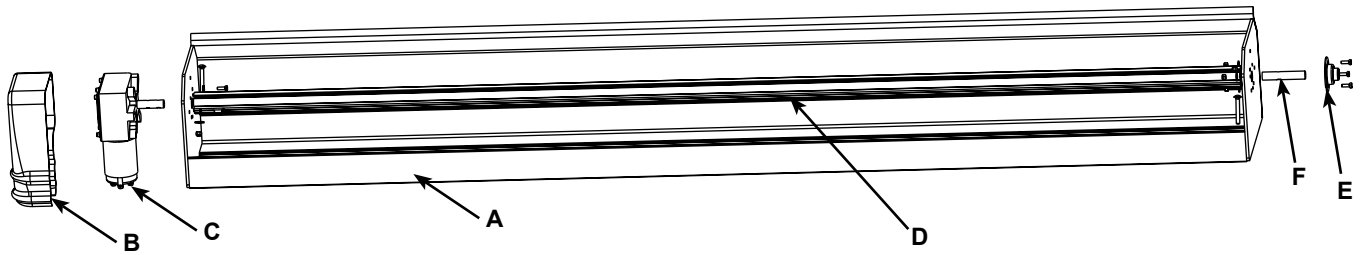
Heavy Duty Truck Division Tarp System Parts Catalog - June 2014

Shur-Co®, LLC Donovan of Florida • 3353 SE Gran Park Way • Stuart, FL 34997

Outside the U.S. call (772) 286-3350 • www.donovan-ent.com • e-mail: info@donovan-ent.com

Call (800) 327-8287 or (772) 286-3350 • Fax (772) 287-0431

Long Arm



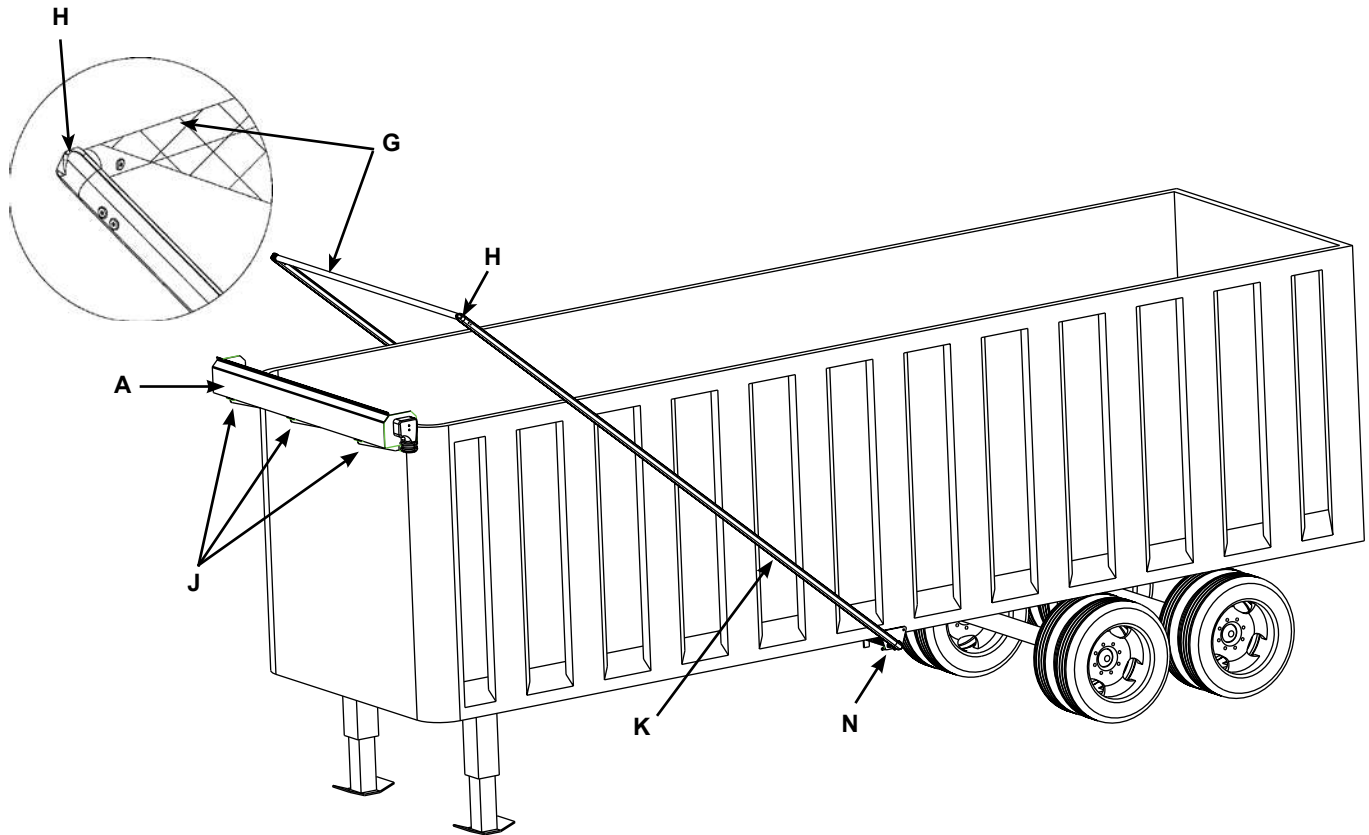
Heavy Duty Truck Division Tarp System Parts Catalog - June 2014

Shur-Co®, LLC Donovan of Florida • 3353 SE Gran Park Way • Stuart, FL 34997

Outside the U.S. call (772) 286-3350 • www.donovan-ent.com • e-mail: info@donovan-ent.com

Call (800) 327-8287 or (772) 286-3350 • Fax (772) 287-0431

Long Arm 41



	DESCRIPTION	QTY	PART
	Long Arm 41 96", system	1	4182 / 1801534
A	-96" Housing Shell	1	3032 / 1801062
	Long Arm 41 102", system	1	4182-102
	-102" Housing Shell	1	3023 / 1801055
B	Motor Cover	1	4278 / 1801585
C	HD Direct Drive Motor	1	4422 / 1801663
D	Extruded Roller Bar	1	2365 / 1800737
E	3/4" Id Bearing	1	1752-R / 1801950
F	3/4" X 4" Extension Shaft	1	2838 / 1800980
G	Rear Cross Bar	1	1076 / 1800300
H	90° Aluminum Die Cast Elbow	2	1888 / 1800597
	Pivot Arm Rest	2	3218B / 1801999
J	Housing Bracket	2	1854 / 1800574
K	Arm Extrusion	2	4199 / 1801542
	U/B Spring Assy. (left)	1	4212 / 1801550
	-Spring, 14-Coil (left)	1	3993 / 1801442

	DESCRIPTION	QTY	PART
N	U/B Spring Assy. (right)	1	4213 / 1801551
O	-Spring, 14-Coil (right)	1	3988 / 1801438
P	-Hex Pivot Casting	1	4391 / 1801636
Q	-Hex Shaft	1	3656 / 1801299
R	-Pivot Mount Weldment (Alum.)	1	2440 / 1800775
S	-Bolt, Hex, 5/16"-18 x 1.5", Gr. 5	1	2802 / 1800972
T	-Bolt, Hex, 3/8"-16 x 1", Gr. 5	1	2469 / 1800795
U	-Spring Lever Weldment	1	2795 / 1800967
V	-Nut, Lock, 3/8"-16	2	2874 / 1800993
W	-Washer, Flat, 3/8"	2	2875 / 1800994
X	-7/8" Hex Pillow Block Bearing	1	3065 / 1801081
Y	-7/8" Hex Flange Bearing	1	3066 / 1801082
Z	-Spring Stop, "J"	1	3661 / 1801304
	Wire, 25 ft., 8 ga.	1	2141 / 1800650
	Rotary Switch Kit	1	85N / 1802076
	Contact Plate	1	1379A / 1801925
	HD Trailer Connector	1	3848 / 1801377

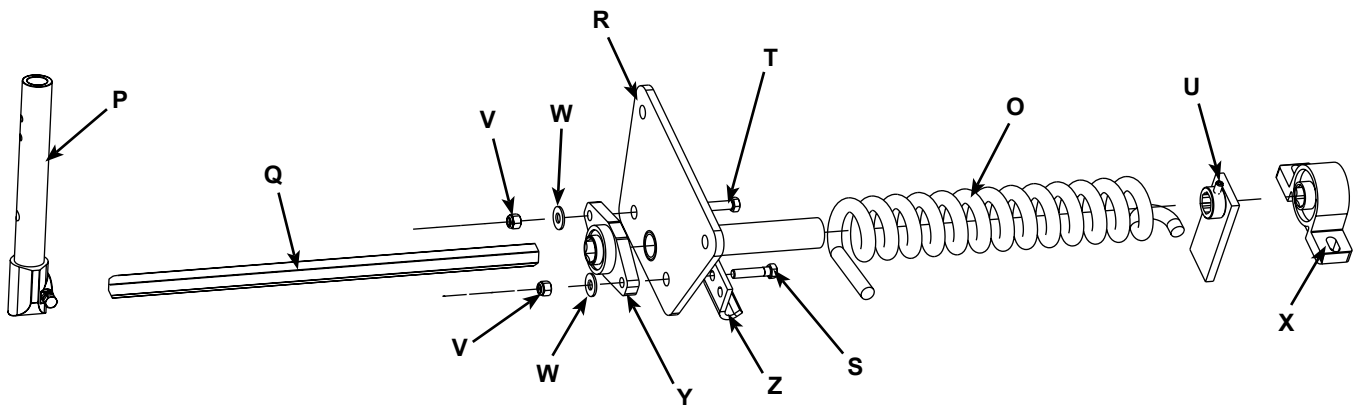
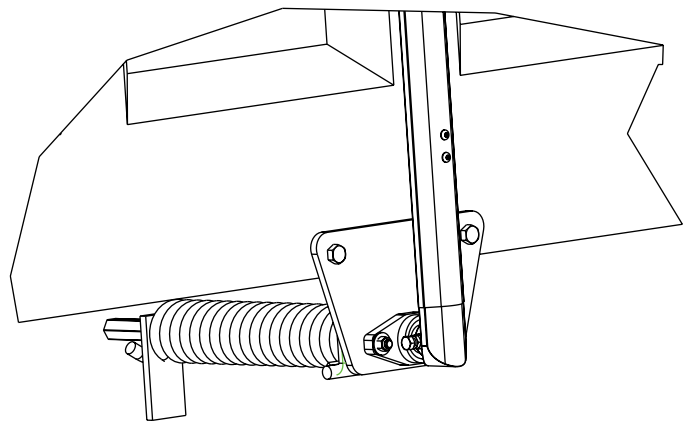
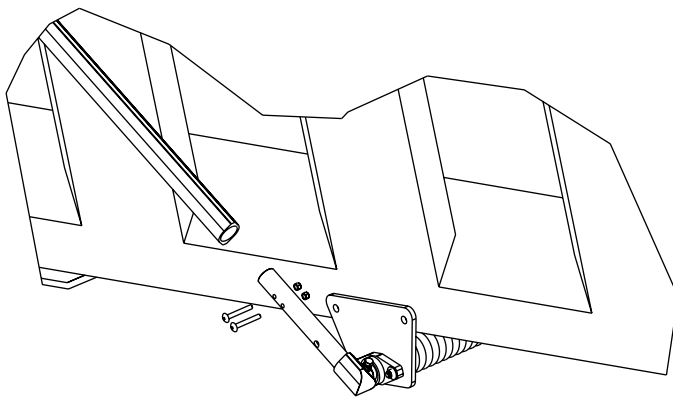
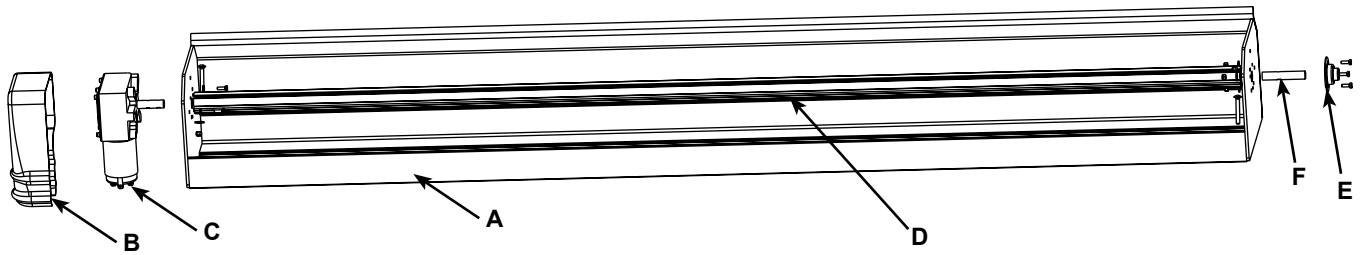
Heavy Duty Truck Division Tarp System Parts Catalog - June 2014

Shur-Co®, LLC Donovan of Florida • 3353 SE Gran Park Way • Stuart, FL 34997

Outside the U.S. call (772) 286-3350 • www.donovan-ent.com • e-mail: info@donovan-ent.com

Call (800) 327-8287 or (772) 286-3350 • Fax (772) 287-0431

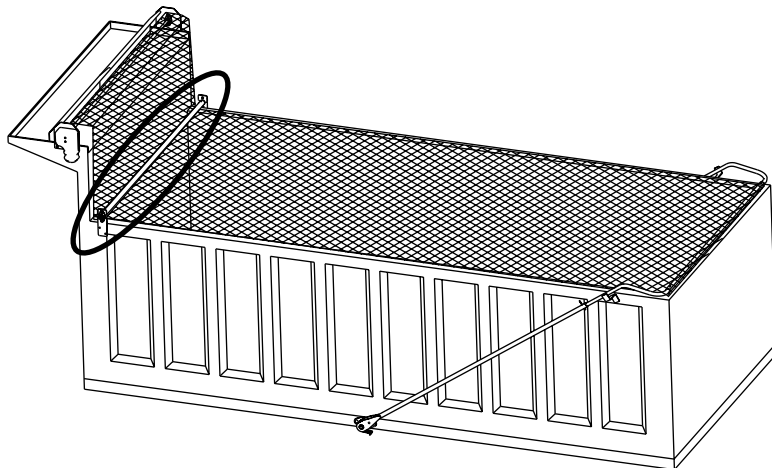
Long Arm 41



TarpTrap



Tarp Trap #4096 / 1801490



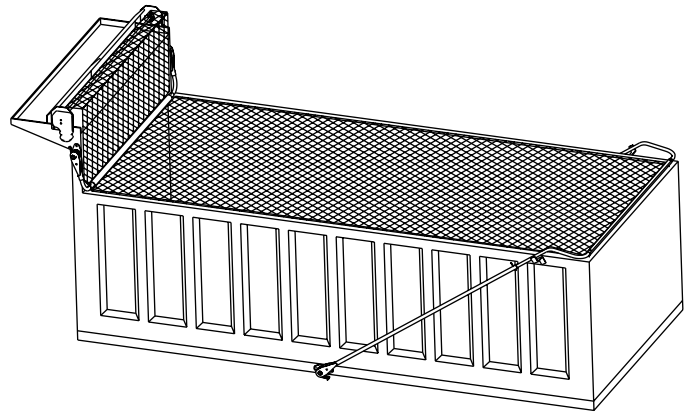
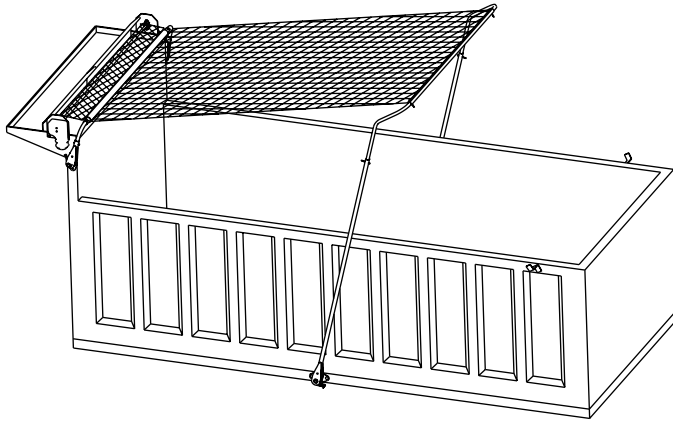
TarpTrap

- Solves tarp coverage issues caused by low side rails and high cab shields.
- Extends your tarp life by eliminating “wind whip”!
- The fixed roller bar secures the tarp against the front bulkhead.

SpringTrap



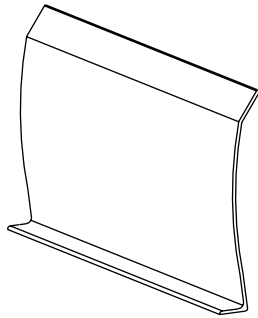
Spring Trap #3976 / 1801434



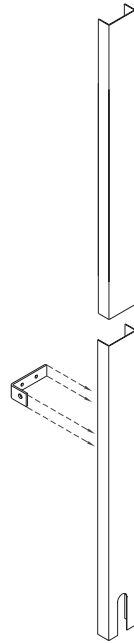
SpringTrap

- Solves tarp coverage issues caused by low side rails and high cab shields.
- Extends your tarp life by eliminating “wind whip”!
- The spring-loaded roller bar secures the tarp against the front bulkhead.

Parts & Options

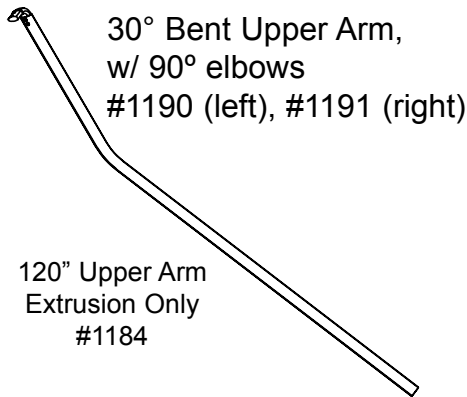
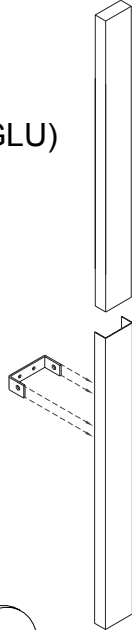


Wind Deflector
(one-piece)



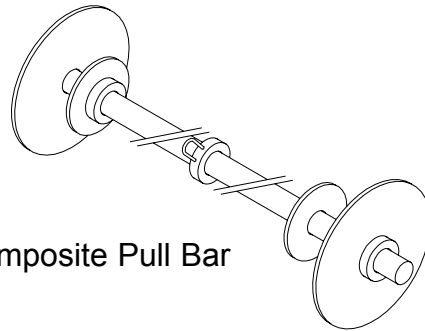
Chain Guard Assembly
(5000GL, 5000GLU)

Chain Guard Assembly
(7000GL, 7800GL, 9000GLU)



30° Bent Upper Arm,
w/ 90° elbows
#1190 (left), #1191 (right)

120° Upper Arm
Extrusion Only
#1184



Composite Pull Bar

DESCRIPTION	QTY	PART
Wind Deflector, Triple Bend (2 sections 10"H x 48"W) Galvanized Steel	1	1647K / 1801943
Wind Deflector, One-Piece Anodized Aluminum	1	1216K / 1801919
Chain Guard, Complete (5000GL, 5000GLU)	1	114 / 1800036
Chain Guard, Upper	1	1398 / 1800402
Chain Guard, Lower	1	1402 / 1800403
Chain Guard Bracket	3	1412 / 1800404
Chain Guard, Complete (7000GL, 9000GLU, 7800GL)	1	2083 / 1800639
Chain Guard, Upper	1	790 / 1800185
Chain Guard, Lower	1	791 / 1800186

DESCRIPTION	QTY	PART
Chain Guard Bracket 30 Degree Bent Arm Assembly (Bullet)	3	1412 / 1800404
Pivot Arm, L/H, Upper, Welded	1	1190 / 1800333
Pivot Arm, R/H, Upper, Welded	1	1191 / 1800334
Pivot Arm Middle, 70", Aluminum	2	3217 / 1804785
Bolt, allen head, 1/4" x 1 1/2"	4	1914 / 1800609
Nut, tee. 1/4"	4	1915 / 1800610
Composite Pull Bar Assembly	1	3704 / 1801330
Composite Tube, 104"	1	3703 / 1801329
Modified Split Shaft Collar	1	3702 / 1801328
1" IDx 3" OD Washer	2	92 / 1800030
Split Shaft Collar	4	41 / 1800018
6" PVC Roller	2	2451 / 1800779
5/8" Swivel Snap Hook	1	1822 / 1800554
Rope	50'	1517 / 1800436
1" IDx 5" OD Washer	2	3809 / 1801354

Heavy Duty Truck Division Tarp System Parts Catalog - June 2014

Shur-Co®, LLC Donovan of Florida • 3353 SE Gran Park Way • Stuart, FL 34997

Outside the U.S. call (772) 286-3350 • www.donovan-ent.com • e-mail: info@donovan-ent.com

Call (800) 327-8287 or (772) 286-3350 • Fax (772) 287-0431



Heavy Duty Truck Covering System Catalog

**To order, call toll-free
1-800-327-8287 or
fax your order to
1-772-287-0431**

www.donovan-ent.com

June 2014

This catalog supersedes all other Donovan Heavy Duty Catalogs dated before 06/14. Please discard all older versions. If any discrepancies are found in this catalog, please inform one of Donovan's customer service care representatives the next time you call or send an e-mail to info@donovan-ent.com Thank you.